



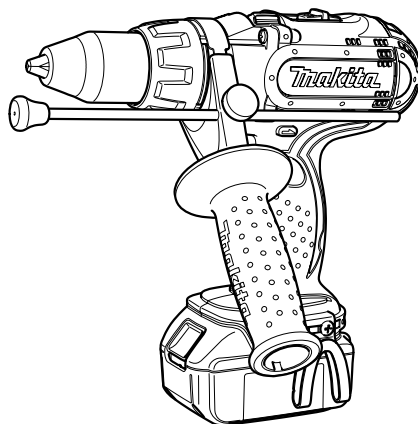
Cordless Percussion-Driver Drill Instruction Manual

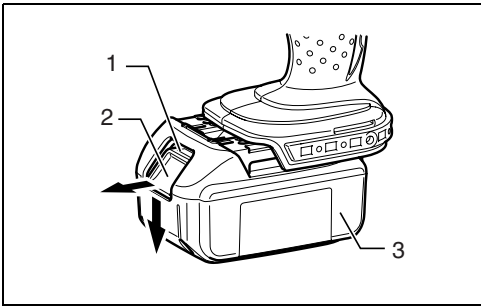
Akku-Schlagbohrschrauber Betriebsanleitung

Bezprzewodowa udarowa wkrętarko-wiertarka Instrukcja obsługi

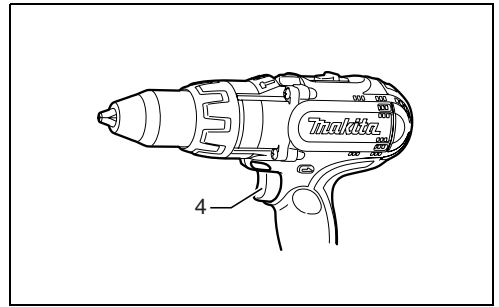
Беспроводной бурильно завинчивающий молоток Инструкцию по эксплуатации

BHP441/BHP451

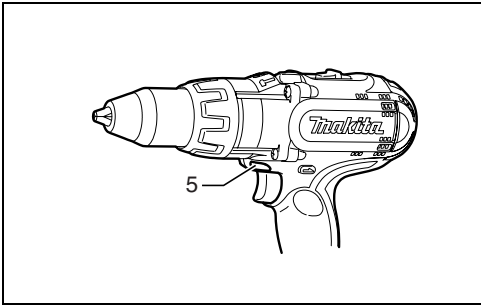




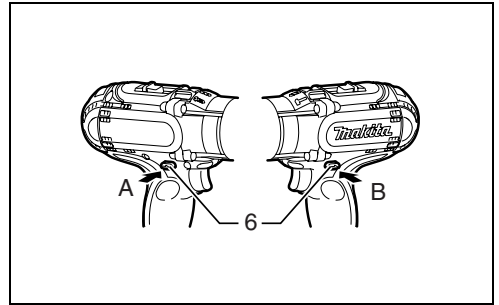
1



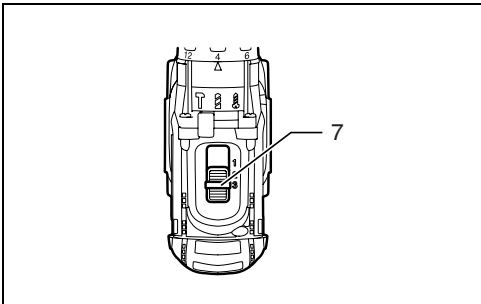
2



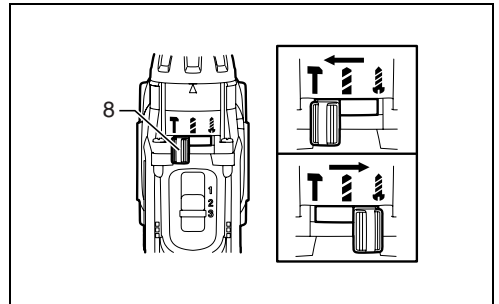
3



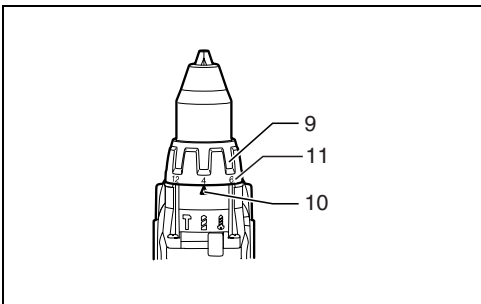
4



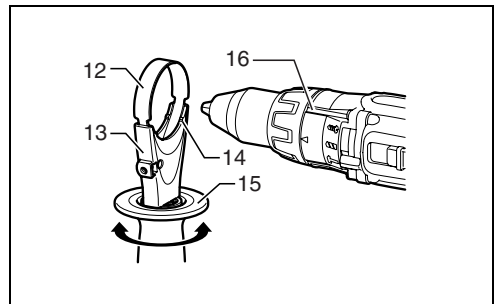
5



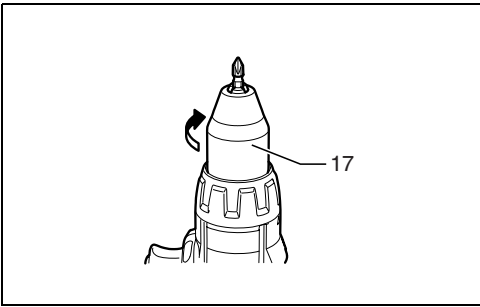
6



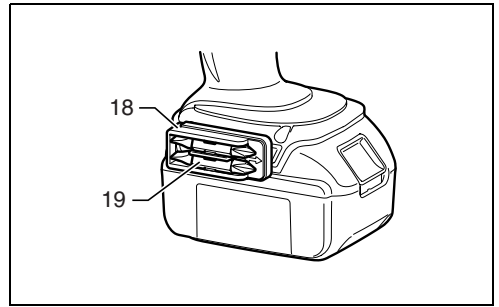
7



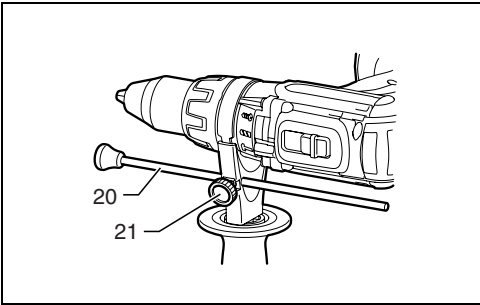
8



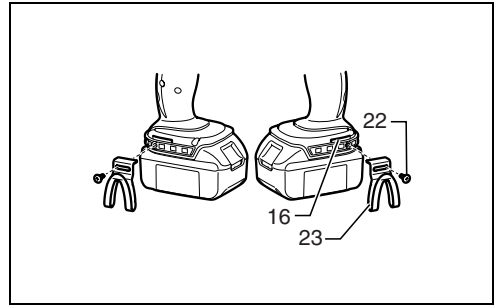
9



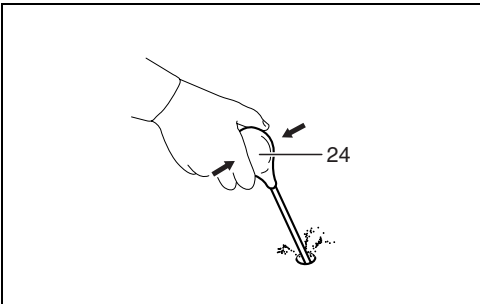
10



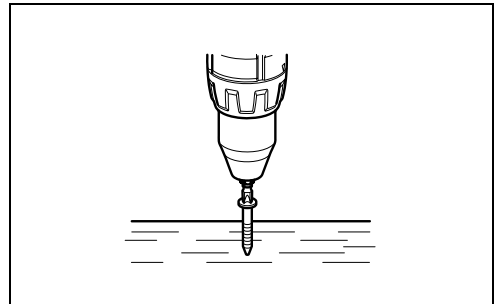
11



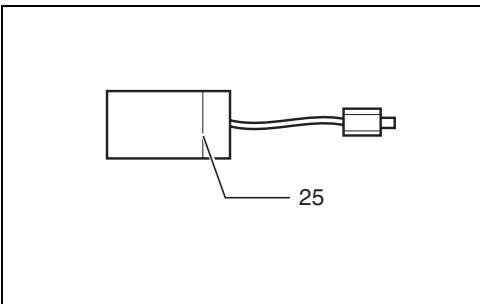
12



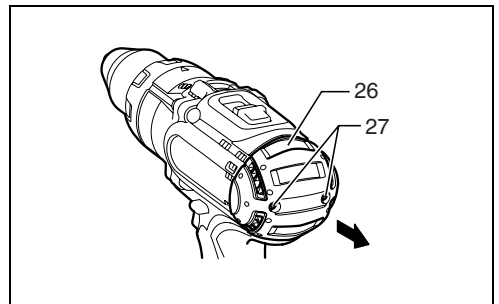
13



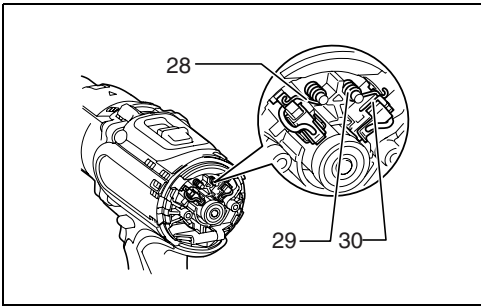
14



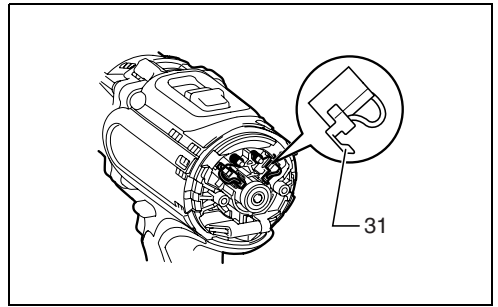
15



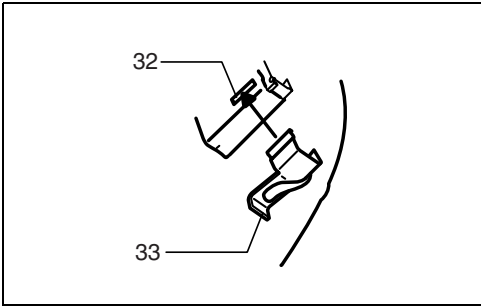
16



17



18



19

ENGLISH

Explanation of general view

1. Red part	12. Steel band	23. Hook
2. Button	13. Grip base	24. Blow-out bulb
3. Battery cartridge	14. Protrusion	25. Limit mark
4. Switch trigger	15. Side grip	26. Rear cover
5. Lamp	16. Groove	27. Screws
6. Reversing switch lever	17. Sleeve	28. Arm
7. Speed change lever	18. Bit holder	29. Spring
8. Action mode changing ring	19. Bit	30. Recessed part
9. Adjusting ring	20. Depth rod	31. Carbon brush cap
10. Arrow	21. Clamp screw	32. Hole
11. Graduations	22. Screw	33. Carbon brush cap

SPECIFICATIONS

Model		BHP441	BHP451
Capacities	Concrete	14 mm	16 mm
	Steel	13 mm	13 mm
	Wood	50 mm	65 mm
	Wood screw	6 mm x 75 mm	10 mm x 89 mm
	Machine screw	6 mm	
No load speed (min ⁻¹)	High (3)	0 - 1,700	0 - 1,700
	Medium (2)	0 - 600	0 - 600
	Low (1)	0 - 300	0 - 300
Blows per minute (min ⁻¹)	High (3)	0 - 25,500	0 - 25,500
	Medium (2)	0 - 9,000	0 - 9,000
	Low (1)	0 - 4,500	0 - 4,500
Overall length		250 mm	250 mm
Net weight		2.1 kg	2.2 kg
Rated voltage		D.C. 14.4 V	D.C. 18 V

- Due to our continuing program of research and development, the specifications herein are subject to change without notice.
- Note: Specifications may differ from country to country.

Symbols

The following show the symbols used for the tool. Be sure that you understand their meaning before use.



Only for EU countries

Do not dispose of electric equipment together with household waste material!

In observance of European Directive 2002/96/EC on waste electrical and electronic equipment and its implementation in accordance with national law, electric equipment that have reached the end of their life must be collected separately and returned to an environmentally compatible recycling facility.

Intended use

The tool is intended for impact drilling in brick, concrete and stone as well as for drilling without impact in wood, metal, ceramic and plastic.

GENERAL SAFETY RULES

WARNING:

Read all instructions. Failure to follow all instructions listed below may result in electric shock, fire and/or serious injury. The term "power tool" in all of the warnings listed below refers to your mains-operated (corded) power tool or battery-operated (cordless) power tool.

SAVE THESE INSTRUCTIONS

Work area safety

1. **Keep work area clean and well lit.** Cluttered and dark areas invite accidents.
2. **Do not operate power tools in explosive atmospheres, such as in the presence of flammable liquids, gases or dust.** Power tools create sparks which may ignite the dust or fumes.
3. **Keep children and bystanders away while operating a power tool.** Distractions can cause you to lose control.

Electrical safety

4. **Power tool plugs must match the outlet. Never modify the plug in any way. Do not use any adapter plugs with earthed (grounded) power tools.** Unmodified plugs and matching outlets will reduce risk of electric shock.
5. **Avoid body contact with earthed or grounded surfaces such as pipes, radiators, ranges and refrigerators.** There is an increased risk of electric shock if your body is earthed or grounded.
6. **Do not expose power tools to rain or wet conditions.** Water entering a power tool will increase the risk of electric shock.
7. **Do not abuse the cord. Never use the cord for carrying, pulling or unplugging the power tool. Keep cord away from heat, oil, sharp edges or moving parts.** Damaged or entangled cords increase the risk of electric shock.
8. **When operating a power tool outdoors, use an extension cord suitable for outdoor use.** Use of a cord suitable for outdoor use reduces the risk of electric shock.

Personal safety

9. **Stay alert, watch what you are doing and use common sense when operating a power tool. Do not use a power tool while you are tired or under the influence of drugs, alcohol or medication.** A moment of inattention while operating power tools may result in serious personal injury.
10. **Use safety equipment. Always wear eye protection.** Safety equipment such as dust mask, non-skid safety shoes, hard hat, or hearing protection used for appropriate conditions will reduce personal injuries.
11. **Avoid accidental starting. Ensure the switch is in the off-position before plugging in.** Carrying power tools with your finger on the switch or plugging in power tools that have the switch on invites accidents.

12. **Remove any adjusting key or wrench before turning the power tool on.** A wrench or a key left attached to a rotating part of the power tool may result in personal injury.
13. **Do not overreach. Keep proper footing and balance at all times.** This enables better control of the power tool in unexpected situations.
14. **Dress properly. Do not wear loose clothing or jewellery. Keep your hair, clothing, and gloves away from moving parts.** Loose clothes, jewellery or long hair can be caught in moving parts.
15. **If devices are provided for the connection of dust extraction and collection facilities, ensure these are connected and properly used.** Use of these devices can reduce dust-related hazards.

Power tool use and care

16. **Do not force the power tool. Use the correct power tool for your application.** The correct power tool will do the job better and safer at the rate for which it was designed.
17. **Do not use the power tool if the switch does not turn it on and off.** Any power tool that cannot be controlled with the switch is dangerous and must be repaired.
18. **Disconnect the plug from the power source and/or the battery pack from the power tool before making any adjustments, changing accessories, or storing power tools.** Such preventive safety measures reduce the risk of starting the power tool accidentally.
19. **Store idle power tools out of the reach of children and do not allow persons unfamiliar with the power tool or these instructions to operate the power tool.** Power tools are dangerous in the hands of untrained users.
20. **Maintain power tools. Check for misalignment or binding of moving parts, breakage of parts and any other condition that may affect the power tools operation. If damaged, have the power tool repaired before use.** Many accidents are caused by poorly maintained power tools.
21. **Keep cutting tools sharp and clean.** Properly maintained cutting tools with sharp cutting edges are less likely to bind and are easier to control.
22. **Use the power tool, accessories and tool bits etc. in accordance with these instructions and in the manner intended for the particular type of power tool, taking into account the working conditions and the work to be performed.** Use of the power tool for operations different from those intended could result in a hazardous situation.

Battery tool use and care

23. **Ensure the switch is in the off position before inserting battery pack.** Inserting the battery pack into power tools that have the switch on invites accidents.
24. **Recharge only with the charger specified by the manufacturer.** A charger that is suitable for one type of battery pack may create a risk of fire when used with another battery pack.

25. Use power tools only with specifically designated battery packs. Use of any other battery packs may create a risk of injury and fire.
26. When battery pack is not in use, keep it away from other metal objects like paper clips, coins, keys, nails, screws, or other small metal objects that can make a connection from one terminal to another. Shorting the battery terminals together may cause burns or a fire.
27. Under abusive conditions, liquid may be ejected from the battery, avoid contact. If contact accidentally occurs, flush with water. If liquid contacts eyes, additionally seek medical help. Liquid ejected from the battery may cause irritation or burns.

Service

28. Have your power tool serviced by a qualified repair person using only identical replacement parts. This will ensure that the safety of the power tool is maintained.
29. Follow instruction for lubricating and changing accessories.
30. Keep handles dry, clean and free from oil and grease.

SPECIFIC SAFETY RULES

DO NOT let comfort or familiarity with product (gained from repeated use) replace strict adherence to hammer drill safety rules. If you use this power tool unsafely or incorrectly, you can suffer serious personal injury.

1. Wear ear protectors with impact drills. Exposure to noise can cause hearing loss.
2. Use auxiliary handles supplied with the tool. Loss of control can cause personal injury.
3. Hold power tools by insulated gripping surfaces when performing an operation where the cutting tool may contact hidden wiring or its own cord. Contact with a "live" wire will make exposed metal parts of the tool "live" and shock the operator.
4. Always be sure you have a firm footing. Be sure no one is below when using the tool in high locations.
5. Hold the tool firmly with both hands.
6. Keep hands away from rotating parts.
7. Do not leave the tool running. Operate the tool only when hand-held.
8. Do not touch the bit or the workpiece immediately after operation; they may be extremely hot and could burn your skin.
9. Some material contains chemicals which may be toxic. Take caution to prevent dust inhalation and skin contact. Follow material supplier safety data.

SAVE THESE INSTRUCTIONS

WARNING:

MISUSE or failure to follow the safety rules stated in this instruction manual may cause serious personal injury.

IMPORTANT SAFETY INSTRUCTIONS FOR BATTERY CARTRIDGE

1. Before using battery cartridge, read all instructions and cautionary markings on (1) battery charger, (2) battery, and (3) product using battery.
2. Do not disassemble battery cartridge.
3. If operating time has become excessively shorter, stop operating immediately. It may result in a risk of overheating, possible burns and even an explosion.
4. If electrolyte gets into your eyes, rinse them out with clear water and seek medical attention right away. It may result in loss of your eyesight.
5. Do not short the battery cartridge:
 - (1) Do not touch the terminals with any conductive material.
 - (2) Avoid storing battery cartridge in a container with other metal objects such as nails, coins, etc.
 - (3) Do not expose battery cartridge to water or rain.

A battery short can cause a large current flow, overheating, possible burns and even a breakdown.
6. Do not store the tool and battery cartridge in locations where the temperature may reach or exceed 50°C (122°F).
7. Do not incinerate the battery cartridge even if it is severely damaged or is completely worn out. The battery cartridge can explode in a fire.
8. Be careful not to drop or strike battery.

SAVE THESE INSTRUCTIONS

Tips for maintaining maximum battery life

1. Charge the battery cartridge before completely discharged. Always stop tool operation and charge the battery cartridge when you notice less tool power.
2. Never recharge a fully charged battery cartridge. Overcharging shortens the battery service life.
3. Charge the battery cartridge with room temperature at 10°C - 40°C (50°F - 104°F). Let a hot battery cartridge cool down before charging it.

FUNCTIONAL DESCRIPTION

CAUTION:

- Always be sure that the tool is switched off and the battery cartridge is removed before adjusting or checking function on the tool.

Installing or removing battery cartridge (Fig. 1)

- Always switch off the tool before insertion or removal of the battery cartridge.
- To remove the battery cartridge, withdraw it from the tool while sliding the button on the side of the cartridge.

- To insert the battery cartridge, align the tongue on the battery cartridge with the groove in the housing and slip it into place. Always insert it all the way until it locks in place with a little click. If you can see the red part on the upper side of the button, it is not locked completely. Insert it fully until the red part cannot be seen. If not, it may accidentally fall out of the tool, causing injury to you or someone around you.
- Do not use force when inserting the battery cartridge. If the cartridge does not slide in easily, it is not being inserted correctly.

Switch action (Fig. 2)

CAUTION:

- Before inserting the battery cartridge into the tool, always check to see that the switch trigger actuates properly and returns to the "OFF" position when released.

To start the tool, simply pull the switch trigger. Tool speed is increased by increasing pressure on the switch trigger. Release the switch trigger to stop.

Lighting up the front lamp (Fig. 3)

CAUTION:

- Do not look in the light or see the source of light directly.

Pull the switch trigger to light up the lamp. The lamp keeps on lighting while the switch trigger is being pulled. The lamp goes out 10 -15 seconds after releasing the trigger.

NOTE:

- Use a dry cloth to wipe the dirt off the lens of lamp. Be careful not to scratch the lens of lamp, or it may lower the illumination.

Reversing switch action (Fig. 4)

This tool has a reversing switch to change the direction of rotation. Depress the reversing switch lever from the "A" side for clockwise rotation or from the "B" side for counter-clockwise rotation.

When the reversing switch lever is in the neutral position, the switch trigger cannot be pulled.

CAUTION:

- Always check the direction of rotation before operation.
- Use the reversing switch only after the tool comes to a complete stop. Changing the direction of rotation before the tool stops may damage the tool.
- When not operating the tool, always set the reversing switch lever to the neutral position.

Speed change (Fig. 5)

This tool has a three-gear speed change lever. To change the speed, first switch off the tool and then slide the speed change lever to the "1" position for low speed, "2" position for medium speed or "3" position for high speed. Be sure that the speed change lever is set to the correct position before operation. Use the right speed for your job.

NOTE:


- When changing the position from "1" to "3" or from "3" to "1", it may be a little difficult to slide the speed change lever. At this time, switch on and run the tool for a second at the "2" position, then stop the tool and slide to your desired position.

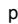
CAUTION:


- Always set the speed change lever fully to the correct position. If you operate the tool with the speed change lever positioned halfway between the "1" position, "2" position and "3" position, the tool may be damaged.
- Do not use the speed change lever while the tool is running. The tool may be damaged.

Selecting the action mode (Fig. 6)




This tool employs an action mode change lever. Select one of the three modes suitable for your work needs by using this lever.

For rotation only, slide the lever so that it points toward the  mark on the tool body.

For rotation with hammering, slide the lever so that it points toward the  mark on the tool body.

For rotation with clutch, slide the lever so that it points toward the  mark on the tool body.

NOTE:

- When changing the position from "" to "", it may be a little difficult to slide the mode change lever. At this time, switch on and run the tool for a second at the "" position, then stop the tool and slide to your desired position.

CAUTION:

- Always set the lever correctly to your desired mode mark. If you operate the tool with the lever positioned halfway between the mode marks, the tool may be damaged.

Adjusting the fastening torque (Fig. 7)

The fastening torque can be adjusted in 16 steps by turning the adjusting ring so that its graduations are aligned with the arrow on the tool body. The fastening torque is minimum when the number 1 is aligned with the arrow, and maximum when the number 16 is aligned with the arrow.

Before actual operation, drive a trial screw into your material or a piece of duplicate material to determine which torque level is required for a particular application.

ASSEMBLY

CAUTION:

- Always be sure that the tool is switched off and the battery cartridge is removed before carrying out any work on the tool.

Installing side grip (auxiliary handle) (Fig. 8)

Always use the side grip to ensure operating safety.

Insert the side grip so that the protrusions on the grip base fit in between the grooves on the tool barrel. Then tighten the grip by turning clockwise.

Installing or removing driver bit or drill bit (Fig. 9)

Turn the sleeve counterclockwise to open the chuck jaws. Place the bit in the chuck as far as it will go. Turn the sleeve clockwise to tighten the chuck.

To remove the bit, turn the sleeve counterclockwise.

Installing bit holder (Fig. 10)

Fit the bit holder into the protrusion at the tool foot on either right or left side and secure it with a screw.

When not using the driver bit, keep it in the bit holders. Bits 45 mm long can be kept there.

Adjustable depth rod (Fig. 11)

The adjustable depth rod is used to drill holes of uniform depth. Loosen the clamp screw, set to desired position, then tighten the clamp screw.

Hook (Fig. 12)

The hook is convenient for temporarily hanging the tool. This can be installed on either side of the tool.


To install the hook, insert it into a groove in the tool housing on either side and then secure it with a screw. To remove, loosen the screw and then take it out.

OPERATION

Hammer drilling operation

CAUTION:

- There is a tremendous and sudden twisting force exerted on the tool/bit at the time of hole breakthrough, when the hole becomes clogged with chips and particles, or when striking reinforcing rods embedded in the concrete. Always use the side grip (auxiliary handle) and firmly hold the tool by both side grip and switch handle during operations. Failure to do so may result in the loss of control of the tool and potentially severe injury.

First, slide the action mode change lever so that it points to the  marking. The adjusting ring can be aligned in any torque levels for this operation.


Be sure to use a tungsten-carbide tipped bit. Position the bit at the desired location for the hole, then pull the switch trigger. Do not force the tool. Light pressure gives best results. Keep the tool in position and prevent it from slipping away from the hole.

Do not apply more pressure when the hole becomes clogged with chips or particles. Instead, run the tool at an idle, then remove the bit partially from the hole. By repeating this several times, the hole will be cleaned out and normal drilling may be resumed.

Blow-out bulb (optional accessory) (Fig. 13)

After drilling the hole, use the blow-out bulb to clean the dust out of the hole.

Screwdriving operation (Fig. 14)

First, slide the action mode change lever so that it points to the  marking. Adjust the adjusting ring to the proper torque level for your work. Then proceed as follows.

Place the point of the driver bit in the screw head and apply pressure to the tool. Start the tool slowly and then increase the speed gradually. Release the switch trigger as soon as the clutch cuts in.

NOTE:

- Make sure that the driver bit is inserted straight in the screw head, or the screw and/or bit may be damaged.
- When driving wood screws, predrill pilot holes to make driving easier and to prevent splitting of the workpiece. See the chart.


Nominal diameter of wood screw (mm)	Recommended size of pilot hole (mm)
3.1	2.0 - 2.2
3.5	2.2 - 2.5
3.8	2.5 - 2.8
4.5	2.9 - 3.2
4.8	3.1 - 3.4
5.1	3.3 - 3.6
5.5	3.7 - 3.9
5.8	4.0 - 4.2
6.1	4.2 - 4.4

- If the tool is operated continuously until the battery cartridge has discharged, allow the tool to rest for 15 minutes before proceeding with a fresh battery.

Drilling operation

CAUTION:

- Pressing excessively on the tool will not speed up the drilling. In fact, this excessive pressure will only serve to damage the tip of your bit, decrease the tool performance and shorten the service life of the tool.
- There is a tremendous force exerted on the tool/bit at the time of hole break through. Hold the tool firmly and exert care when the bit begins to break through the workpiece.
- A stuck bit can be removed simply by setting the reversing switch to reverse rotation in order to back out. However, the tool may back out abruptly if you do not hold it firmly.
- Always secure small workpieces in a vise or similar hold-down device.
- If the tool is operated continuously until the battery cartridge has discharged, allow the tool to rest for 15 minutes before proceeding with a fresh battery.

First, slide the action mode change lever so that it points to the  marking.

The adjusting ring can be aligned in any torque levels for this operation. Then proceed as follows.

Drilling in wood

When drilling in wood, the best results are obtained with wood drills equipped with a guide screw. The guide screw makes drilling easier by pulling the bit into the workpiece.

Drilling in metal

To prevent the bit from slipping when starting a hole, make an indentation with a center-punch and hammer at the point to be drilled. Place the point of the bit in the indentation and start drilling.

Use a cutting lubricant when drilling metals. The exceptions are iron and brass which should be drilled dry.

MAINTENANCE

CAUTION:

- Always be sure that the tool is switched off and the battery cartridge is removed before attempting to perform inspection or maintenance.

Replacing carbon brushes

Replace when they wear down to the limit mark. Keep the carbon brushes clean and free to slip in the holders. Both carbon brushes should be replaced at the same time. Use only identical carbon brushes. (Fig. 15)

Use a screwdriver to remove two screws then remove the rear cover. (Fig. 16)

Raise the arm part of the spring and then place it in the recessed part of the housing with a slotted bit screwdriver of slender shaft or the like. (Fig. 17)

Use pliers to remove the carbon brush caps of the carbon brushes. Take out the worn carbon brushes, insert the new ones and replace the carbon brush caps in reverse. (Fig. 18)

Make sure that the carbon brush caps have fit into the holes in brush holders securely. (Fig. 19)

Reinstall the rear cover and tighten two screws securely.

To maintain product SAFETY and RELIABILITY, repairs, any other maintenance or adjustment should be performed by Makita Authorized Service Centers, always using Makita replacement parts.

ACCESSORIES

CAUTION:

- These accessories or attachments are recommended for use with your Makita tool specified in this manual. The use of any other accessories or attachments might present a risk of injury to persons. Only use accessory or attachment for its stated purpose.

If you need any assistance for more details regarding these accessories, ask your local Makita service center.

- Drill bits
- Hammer drill bits
- Screw bits
- Blow-out bulb
- Safety goggles

- Various type of Makita genuine batteries and chargers
- Grip assembly
- Depth rod
- Hook
- Rubber pad assembly
- Wool bonnet
- Foam polishing pad

For Model BHP441

For European countries only

Noise and Vibration

The typical A-weighted noise levels are
sound pressure level: 86 dB (A)
sound power level: 97 dB (A)
Uncertainty: 3 dB

- Wear ear protection. -

The typical weighted root mean square acceleration value is 6 m/s².

These values have been obtained according to EN60745.

For Model BHP451

For European countries only

Noise and Vibration

The typical A-weighted noise levels are
sound pressure level: 87 dB (A)
sound power level: 98 dB (A)
Uncertainty: 3 dB

- Wear ear protection. -

The typical weighted root mean square acceleration value is 6 m/s².

These values have been obtained according to EN60745.

EC-DECLARATION OF CONFORMITY

We declare under our sole responsibility that this product is in compliance with the following standards of standardized documents, EN60745, EN55014 in accordance with Council Directives, 89/336/EEC, 98/37/EC.

Yasuhiko Kanzaki CE 2005



Director

MAKITA INTERNATIONAL EUROPE LTD.

Michigan Drive, Tongwell, Milton Keynes, Bucks MK15 8JD, ENGLAND

Responsible manufacturer:

Makita Corporation Anjo Aichi Japan

DEUTSCH

Erklärung der Gesamtdarstellung

- | | | |
|--|--------------------|-------------------------|
| 1. Roter Bereich | 11. Einteilungen | 23. Haken |
| 2. Taste | 12. Stahlband | 24. Ausblasvorrichtung |
| 3. Akkublock | 13. Grifffläche | 25. Grenzmarkierung |
| 4. Auslöseschaltung | 14. Vorsprung | 26. Hintere Abdeckung |
| 5. Lampe | 15. Seitengriff | 27. Schrauben |
| 6. Umschalthebel | 16. Rille | 28. Arm |
| 7. Hebel zur Änderung der Geschwindigkeit | 17. Kranz | 29. Feder |
| 8. Ring zum Wechsel der Aktionsbetriebsart | 18. Werkzeughalter | 30. Abgestufter Bereich |
| 9. Justierungsring | 19. Meißel | 31. Bürstenhalterkappe |
| 10. Pfeil | 20. Tiefenanschlag | 32. Loch |
| | 21. Klemmschraube | 33. Bürstenhalterkappe |
| | 22. Schraube | |

TECHNISCHE ANGABEN

Modell		BHP441	BHP451
Kapazität	Beton	14 mm	16 mm
	Stahl	13 mm	13 mm
	Holz	50 mm	65 mm
	Holzschraube	6 mm x 75 mm	10 mm x 89 mm
	Maschinenschraube	6 mm	
Leerlaufgeschwindigkeit (min ⁻¹)	Hoch (3)	0 - 1.700	0 - 1.700
	Mittel (2)	0 - 600	0 - 600
	Niedrig (1)	0 - 300	0 - 300
Schläge pro Minute (min ⁻¹)	Hoch (3)	0 - 25.500	0 - 25.500
	Mittel (2)	0 - 9.000	0 - 9.000
	Niedrig (1)	0 - 4.500	0 - 4.500
Gesamtlänge		250 mm	250 mm
Nettogewicht		2,1 kg	2,2 kg
Nennspannung		Gleichspannung 14,4 V	Gleichspannung 18 V

- Aufgrund unserer fortschreitenden Forschungen und Entwicklungen sind Änderungen an den hier wiedergegebenen Angaben ohne Vorankündigung vorbehalten.
- Hinweis: Die Angaben können sich je nach Land unterscheiden.

Symbole

Im Folgenden sind die Symbole dargestellt, die im Zusammenhang mit dem Werkzeug verwendet werden. Es ist wichtig, dass Sie deren Bedeutung vor dem Einsatz des Werkzeugs kennen.



Nur für EU-Länder

Werfen Sie Elektrowerkzeuge nicht in den Hausmüll!

Gemäss Europäischer Richtlinie 2002/96/EG über Elektro- und Elektronik- Altgeräte und Umsetzung in nationales Recht müssen verbrauchte Elektrowerkzeuge getrennt gesammelt und einer umweltgerechten Wiederverwertung zugeführt werden.

Art der Nutzung

Das Werkzeug wurde für das Schlagbohren in Ziegel, Beton und Stein sowie für schlagloses Bohren in Holz, Metall, Keramik und Plastik entwickelt.

ALLGEMEINE SICHERHEITSREGELN

WARNUNG:

Lesen Sie alle Anweisungen. Werden nicht alle der unten aufgeführten Anweisungen befolgt, besteht die Gefahr eines Stromschlags, Brands und/oder das Risiko schwerer Verletzungen. Der Begriff „Elektrowerkzeug“ bezieht sich in allen unten aufgeführten Warnhinweisen auf Ihr netzbetriebenes Elektrowerkzeug (mit Kabel) oder Ihr akku- bzw. batteriebetriebenes Elektrowerkzeug (ohne Kabel).

BEWAHREN SIE DIESE ANWEISUNGEN AUF

Sicherheit am Arbeitsplatz

1. **Achten Sie auf ein sauberes und gut beleuchtetes Arbeitsumfeld.** In unordentlichen und dunklen Bereichen können schnell Unfälle passieren.
2. **Betreiben Sie keine Elektrowerkzeuge in explosionsgefährdeter Umgebung, wie etwa in der Nähe von brennbaren Flüssigkeiten, Gasen oder Staub.** Bei Elektrowerkzeugen treten Funken aus, die Staub und Dämpfe entzünden können.
3. **Halten Sie Kinder und Zuschauer auf Abstand, wenn Sie ein Elektrowerkzeug bedienen.** Ablenkung kann zu Kontrollverlust führen.

Elektrische Sicherheit

4. **Die Stecker des Elektrowerkzeugs müssen in die Steckdose passen. Nehmen Sie niemals Änderungen am Stecker vor. Verwenden Sie keine Adapterstecker bei geerdeten Elektrowerkzeugen.** Originalstecker und passende Steckdosen reduzieren das Risiko eines elektrischen Schlags.
5. **Vermeiden Sie Körperkontakt mit geerdeten Oberflächen, wie Rohren, Kühlern, Heiz- und Kühlelementen.** Wenn Ihr Körper geerdet ist, besteht ein erhöhtes Risiko eines elektrischen Schlags.
6. **Das Elektrowerkzeug darf weder Regen noch Feuchtigkeit ausgesetzt werden.** Wenn Wasser in ein Elektrowerkzeug eindringt, erhöht dies das Risiko eines elektrischen Schlags.
7. **Gehen Sie richtig mit dem Stromkabel um. Verwenden Sie nie das Kabel, um das Elektrowerkzeug zu transportieren oder zu ziehen oder den Stecker herauszuziehen. Halten Sie das Kabel von Hitze, Öl, scharfen Kanten und beweglichen Teilen fern.** Beschädigte oder verwickelte Kabel erhöhen das Risiko eines elektrischen Schlags.
8. **Verwenden Sie ein dafür geeignetes Verlängerungskabel, wenn Sie das Elektrowerkzeug im Freien betreiben.** Die Verwendung eines für den Gebrauch im Freien vorgesehenen Verlängerungskabels vermindert das Risiko eines elektrischen Schlags.

Persönliche Sicherheit

9. **Bleiben Sie wachsam, achten Sie auf das, was Sie tun, und gebrauchen Sie Ihren gesunden Menschenverstand, wenn Sie ein Elektrowerkzeug**

benutzen. Betreiben Sie Elektrowerkzeuge nicht, wenn Sie müde sind oder unter dem Einfluss von Drogen, Alkohol oder Medikamenten stehen. Ein Moment der Unachtsamkeit kann beim Umgang mit Elektrowerkzeugen zu schweren Personenschäden führen.

10. **Verwenden Sie die Sicherheitsausrüstung. Benutzen Sie immer eine Schutzbrille.** Den Umständen angepasste Sicherheitsausrüstung wie Staubmasken, rutschfreie Sicherheitsschuhe, Helme und Hörschutz vermindern persönliche Verletzungen.
11. **Vermeiden Sie einen versehentlichen Start des Werkzeugs. Vergewissern Sie sich, dass das Gerät ausgeschaltet ist, bevor Sie es einstöpseln.** Der Transport des Geräts mit dem Finger auf dem Schalter und das Einstöpseln eingeschalteter Elektrowerkzeuge können zu Unfällen führen.
12. **Entfernen Sie alle Einstell- und sonstigen Schlüssel, bevor Sie das Elektrowerkzeug einschalten.** Auf den rotierenden Teilen eines Elektrowerkzeugs belassene Schlüssel können zu Verletzungen führen.
13. **Übernehmen Sie sich nicht. Achten Sie jederzeit auf sicheren Stand und Balance.** Dies ermöglicht die bessere Kontrolle des Elektrowerkzeugs in unvorhergesehenen Situationen.
14. **Tragen Sie geeignete Kleidung. Tragen Sie keine weite Kleidung oder Schmuck. Halten Sie Haar, Kleidung und Handschuhe fern von beweglichen Teilen.** Weite Kleidung, Schmuck und langes Haar können sich in den beweglichen Teilen verfangen.
15. **Falls Geräte zum Absaugen und Sammeln von Staub vorhanden sind, schließen Sie diese an und verwenden Sie sie ordnungsgemäß.** Die Verwendung dieser Geräte reduziert staubverbundene Gefahren.

Verwendung und Pflege von Elektrowerkzeugen

16. **Verwenden Sie das Elektrowerkzeug nicht mit Gewalt. Benutzen Sie das für die jeweilige Anwendung geeignete Elektrowerkzeug.** Das richtige Werkzeug erfüllt seinen Zweck am besten und sichersten in dem Zusammenhang, für den es hergestellt wurde.
17. **Verwenden Sie kein Elektrowerkzeug, das sich nicht mit dem Schalter ein- und ausschalten lässt.** Jedes Elektrowerkzeug, dessen Schalter nicht funktioniert, stellt eine Gefahr dar und muss repariert werden.
18. **Ziehen Sie den Stecker aus der Steckdose bzw. den Akku aus dem Gerät, bevor Sie Einstellungen am Elektrowerkzeug vornehmen, Zubehör wechseln oder das Gerät lagern.** Diese präventiven Sicherheitsmaßnahmen reduzieren das Risiko eines versehentlichen Starts.
19. **Lagern Sie Elektrowerkzeuge, die nicht in Gebrauch sind, außerhalb der Reichweite von Kindern und erlauben Sie niemandem, der mit dem Betrieb oder der Bedienungsanleitung des Elektrowerkzeugs nicht vertraut ist, dieses zu benutzen.** In den Händen unerübter Benutzer sind Elektrowerkzeuge gefährlich.

20. **Pflegen Sie Elektrowerkzeuge.** Halten Sie Ausschau nach fehlerhaften Verbindungen, festsitzenden beweglichen Teilen, Defekten und allen anderen Bedingungen, die die Funktionsweise des Geräts beeinträchtigen können. Lassen Sie bei einer Beschädigung das Elektrowerkzeug vor dem Gebrauch reparieren. Viele Unfälle werden durch schlecht gewartete Elektrowerkzeuge verursacht.
21. **Halten Sie Schneidwerkzeug scharf und sauber.** Ordentlich gewartete Schneidwerkzeuge mit scharfen Schneidkanten verhalten nicht so schnell und sind einfacher in der Handhabung.
22. **Verwenden Sie das Elektrowerkzeug, das Zubehör, die Werkzeugmeißel usw. in Übereinstimmung mit diesen Anweisungen und in einer dem Verwendungszweck des Werkzeugs angemessenen Weise und beachten Sie dabei die Arbeitsbedingungen und die durchzuführende Arbeit.** Die Verwendung eines Elektrowerkzeugs für Arbeitsgänge, für die es nicht konzipiert wurde, kann zu Gefahrensituationen führen.

Verwendung und Pflege von akkubetriebenen Werkzeugen

23. **Vergewissern Sie sich vor dem Einsetzen des Akkusatzes, dass sich der Schalter in der Position „Aus“ (Off) befindet.** Wird der Akkusatz in Elektrowerkzeuge eingesetzt, deren Schalter sich auf der Position „Ein“ (On) befindet, besteht eine erhöhte Unfallgefahr.
24. **Der Akku darf nur mit dem vom Hersteller angegebenen Ladegerät aufgeladen werden.** Ein Ladegerät, das sich für den einen Akkutyp eignet, kann bei der Verwendung mit einem anderen Akku eine Brandgefahr darstellen.
25. **Elektrowerkzeuge dürfen nur mit den dafür speziell vorgesehenen Akkus verwendet werden.** Die Verwendung sonstiger Akkus kann eine Verletzungs- und Brandgefahr darstellen.
26. **Wenn der Akku nicht verwendet wird, darf er nicht in der Nähe von anderen metallischen Gegenständen wie Büroklammern, Münzen, Nägeln, Schrauben oder sonstigen metallischen Gegenständen aufbewahrt werden, da die Gefahr besteht, dass sich die Kontakte berühren.** Ein Kurzschluss bei den Akkukontakten kann Verbrennungen verursachen oder eine Brandgefahr darstellen.
27. **Bei falschem Gebrauch kann Flüssigkeit aus dem Akku austreten; vermeiden Sie in diesem Fall jeglichen Körperkontakt mit der Flüssigkeit.** Wenn Sie versehentlich damit in Berührung geraten, waschen Sie die betroffene Stelle gründlich mit Wasser ab. Suchen Sie darüber hinaus einen Arzt auf, wenn die Flüssigkeit in das Auge gerät. Die aus dem Akku austretende Flüssigkeit kann Hautreizungen oder Verbrennungen verursachen.

Service

28. **Lassen Sie das Elektrowerkzeug ausschließlich von Fachpersonal unter Verwendung von Originalersatzteilen warten.** Auf diese Weise ist die Sicherheit des Elektrowerkzeugs gewährleistet.

29. **Befolgen Sie die Anweisungen hinsichtlich Schmiermittel und Austauschzubehör.**
30. **Achten Sie darauf, dass die Griffe trocken, sauber und frei von Öl und Schmiermittel sind.**

BESONDERE SICHERHEITSHINWEISE

Lassen Sie sich NIE durch Bequemlichkeit oder (aus fortwährendem Gebrauch gewonnener) Vertrautheit mit dem Gerät dazu verleiten, die Sicherheitsregeln für die Schlagbohrmaschine zu missachten. Wenn dieses Elektrowerkzeug unsicher oder nicht ordnungsgemäß verwendet wird, kann es zu schweren Personenschäden kommen.

1. **Tragen Sie beim Gebrauch von Schlagbohrern einen Gehörschutz.** Lärm ausgesetzt zu sein, kann zu Gehörverlust führen.
2. **Verwenden Sie die mit dem Werkzeug gelieferten Zusatzgriffe.** Kontrollverlust kann zu persönlichen Verletzungen führen.
3. **Halten Sie das Elektrowerkzeug an den isolierten Griffflächen, wenn Sie unter Bedingungen arbeiten, bei denen das Schneidwerkzeug versteckte Verkabelung oder das eigene Kabel berühren kann.** Der Kontakt mit einem Strom führenden Kabel leitet diesen an die metallenen Teile des Werkzeugs weiter und verursacht einen Stromschlag beim Bediener.
4. **Achten Sie jederzeit auf einen festen Stand.** Achten Sie darauf, dass sich niemand unter Ihnen befindet, wenn Sie das Werkzeug an erhöhten Orten verwenden.
5. **Halten Sie das Werkzeug mit beiden Händen fest.**
6. **Halten Sie Ihre Hände von den beweglichen Teilen fern.**
7. **Lassen Sie das Werkzeug nicht laufen.** Das Werkzeug darf nur dann in Betrieb sein, wenn es festgehalten wird.
8. **Berühren Sie kurz nach dem Betrieb nicht den Einsatz oder das Werkstück.** Diese können extrem heiß sein und zu Verbrennungen führen.
9. **Einige Materialien enthalten Chemikalien, die giftig sein können.** Vermeiden Sie das Einatmen von Staub und den Kontakt mit der Haut. Befolgen Sie die Sicherheitshinweise des Materialherstellers.

BEWAHREN SIE DIESE ANWEISUNGEN AUF

WARNING:

MISSBRAUCH oder Missachtung der in diesem Handbuch enthaltenen Sicherheitshinweise können zu schweren Personenschäden führen.

WICHTIGE SICHERHEITSANWEISUNGEN FÜR AKKUBLOCK

1. **Lesen Sie vor der Verwendung des Akkublocks alle Anweisungen und Sicherheitshinweise für (1)**

das Akkuladegerät, (2) den Akku und (3) das Produkt, für das der Akku verwendet wird.

- Der Akkublock darf nicht zerlegt werden.
- Falls die Betriebsdauer erheblich kürzer wird, beenden Sie den Betrieb umgehend. Andernfalls besteht die Gefahr einer Überhitzung sowie das Risiko möglicher Verbrennungen und sogar einer Explosion.
- Wenn Elektrolyt in Ihre Augen gerät, waschen Sie diese mit klarem Wasser aus, und suchen Sie sofort einen Arzt auf. Andernfalls können Sie Ihre Sehfähigkeit verlieren.
- Vermeiden Sie einen Kurzschluss des Akkublocks:
 - (1) Die Kontakte dürfen nicht mit leitendem Material in Berührung kommen.
 - (2) Der Akkublock darf nicht in einem Behälter aufbewahrt werden, in dem sich andere metallischen Gegenstände wie beispielsweise Nägel, Münzen usw. befinden.
 - (3) Der Akkublock darf weder Feuchtigkeit noch Regen ausgesetzt werden.Ein Kurzschluss des Akkus kann zu hohem Kriechstrom, Überhitzung, möglichen Verbrennungen und sogar zu einer Zerstörung des Geräts führen.
- Werkzeug und Akkublock dürfen nicht an Orten aufbewahrt werden, an denen die Temperatur 50°C (122°F) oder höher erreichen kann.
- Selbst wenn der Akkublock schwer beschädigt oder völlig verbraucht ist, darf er nicht angezündet werden. Der Akkublock kann in den Flammen explodieren.
- Lassen Sie den Akku nicht fallen, und vermeiden Sie Schläge gegen den Akku.

BEWAHREN SIE DIESE ANWEISUNGEN AUF

Tipps für den Erhalt der maximalen Akkublock-Nutzungsdauer

- Laden Sie den Akkublock auf, bevor er ganz entladen ist. Beenden Sie stets den Betrieb des Werkzeugs, und laden Sie den Akkublock auf, sobald Sie eine verringerte Werkzeugleistung bemerken.
- Ein voll aufgeladener Akkublock darf niemals erneut geladen werden. Durch Überladungen wird die Lebensdauer des Akkus verkürzt.
- Laden Sie den Akkublock bei einer Zimmertemperatur von 10°C - 40°C (50°F - 104°F) auf. Lassen Sie einen heißen Akkublock vor dem Aufladen abkühlen.

FUNKTIONSBESCHREIBUNG

ACHTUNG:

- Schalten Sie das Werkzeug stets aus und entfernen Sie den Akkublock, bevor Sie Einstellungen oder eine Funktionsprüfung des Werkzeugs vornehmen.

Montage und Demontage des Akkublocks (Abb. 1)

- Schalten Sie das Werkzeug stets aus, bevor Sie den Akkublock einsetzen oder entfernen.
- Zur Entfernung des Akkublocks müssen Sie diesen aus dem Werkzeug herausziehen, während Sie die Taste an der Seite des Blocks schieben.
- Zum Einsetzen des Akkublocks müssen Sie die Zunge des Akkublocks an der Rille im Gehäuse ausrichten und in die gewünschte Position schieben. Setzen Sie den Block immer ganz ein, bis er mit einem Klick einrastet. Wenn Sie den roten Bereich oben auf der Taste sehen können, ist der Block nicht ganz eingerastet. Setzen Sie ihn ganz ein, bis der rote Bereich nicht mehr zu sehen ist. Andernfalls kann der Block versehentlich aus dem Werkzeug fallen und Sie oder Personen in Ihrem Umfeld verletzen.
- Wenden Sie beim Einsetzen des Akkublocks keine Gewalt an. Wenn der Block nicht leicht hineingleitet, wird er nicht richtig eingesetzt.

Bedienung des Schalters (Abb. 2)

ACHTUNG:

- Achten Sie vor dem Einsetzen des Akkublocks in das Werkzeug darauf, dass sich der Auslöseschalter korrekt bedienen lässt und beim Loslassen auf die Position „OFF“ zurückkehrt.

Betätigen Sie zum Starten des Werkzeugs einfach den Auslöseschalter. Die Geschwindigkeit des Werkzeugs wird durch erhöhten Druck auf den Auslöseschalter gesteigert. Lösen Sie die Auslöseschaltung aus, um das Werkzeug auszuschalten.

Einschalten der Frontlampe (Abb. 3)

ACHTUNG:

- Schauen Sie nicht direkt in das Licht oder in die Lichtquelle.

Ziehen Sie zum Einschalten der Lampe die Auslöseschaltung. Die Lampe leuchtet so lange, wie die Auslöseschaltung gezogen ist. Nach dem Loslassen des Auslösers erlischt die Lampe nach 10 - 15 Sekunden.

HINWEIS:

- Wischen Sie Schmutz auf der Linse mit einem trockenen Tuch ab. Achten Sie darauf, die Linse nicht zu verkratzen, da dies die Beleuchtungsstärke mindern kann.

Bedienung des Umschalters (Abb. 4)

Dieses Werkzeug verfügt über einen Umschalter, mit dem die Drehrichtung geändert werden kann. Für eine Drehbewegung im Uhrzeigersinn muss der Umschalthebel von der Seite "A" nach unten gedrückt werden, und für eine Drehbewegung gegen den Uhrzeigersinn von der Seite "B".

Wenn sich der Umschalthebel in der neutralen Position befindet, kann die Auslöseschaltung nicht gezogen werden.

ACHTUNG:

- Überprüfen Sie vor jedem Betrieb immer die Drehrichtung.

- Der Umschalter darf nur betätigt werden, wenn das Werkzeug ganz angehalten wurde. Wenn Sie die Drehrichtung ändern, solange das Werkzeug noch läuft, kann es beschädigt werden.
- Ist das Werkzeug nicht in Gebrauch, muss der Umschalthebel immer auf die neutrale Position gestellt werden.

Änderung der Geschwindigkeit (Abb. 5)

Dieses Werkzeug verfügt über einen Dreiganghebel zur Änderung der Geschwindigkeit. Schalten Sie zum Ändern der Geschwindigkeit zunächst das Werkzeug aus, und schieben Sie dann den Hebel zur Änderung der Geschwindigkeit auf „1“ (Position für niedrige Geschwindigkeit), „2“ (Position für mittlere Geschwindigkeit oder „3“ (Position für hohe Geschwindigkeit). Überprüfen Sie vor dem Betrieb des Werkzeugs, ob sich der Hebel zur Änderung der Geschwindigkeit in der richtigen Position befindet. Verwenden Sie die für Ihre Arbeit geeignete Geschwindigkeit.

HINWEIS:


- Wenn Sie die Position von „1“ auf „3“ oder von „3“ auf „1“ ändern, kann unter Umständen das Schieben des Hebels etwas erschwert sein. Schalten Sie in diesem Fall das Werkzeug für eine Sekunde in Position „2“ ein, schalten Sie es anschließend aus und schieben Sie anschließend den Hebel in die gewünschte Position.


ACHTUNG:

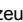
- Stellen Sie den Hebel zur Änderung der Geschwindigkeit immer ganz in die richtige Position. Wenn Sie das Werkzeug betreiben und sich dieser Hebel zwischen der Position „1“, „2“ und „3“ befindet, kann das Werkzeug beschädigt werden.
- Der Hebel zur Änderung der Geschwindigkeit darf nicht betätigt werden, solange das Werkzeug läuft. Andernfalls kann das Werkzeug beschädigt werden.

Auswahl der Aktionsbetriebsart (Abb. 6)

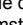
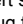
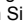
Dieses Werkzeug verfügt über einen Hebel zum Wechseln der Aktionsbetriebsart. Mit Hilfe dieses Hebels können Sie die Betriebsart auswählen, die sich für Ihre Arbeitsanforderungen am besten eignet. Es stehen drei Betriebsarten zur Auswahl.

Für eine reine Drehbewegung müssen Sie den Hebel so schieben, dass der Pfeil auf dem Werkzeugkörper auf die Markierung  zeigt.

Für eine Drehbewegung mit Schlag müssen Sie den Hebel so schieben, dass der Pfeil auf dem Werkzeugkörper auf die Markierung  zeigt.

Für eine Drehbewegung mit Drehmomentkupplung müssen Sie den Hebel so schieben, dass der Pfeil auf dem Werkzeugkörper auf die Markierung  zeigt.

HINWEIS:

- Wenn Sie die Position von  auf  ändern, kann unter Umständen das Schieben des Hebels etwas erschwert sein. Schalten Sie in diesem Fall das Werkzeug für eine Sekunde in Position  ein, schalten Sie es anschließend aus und schieben Sie anschließend den Hebel in die gewünschte Position.

ACHTUNG:

- Stellen Sie den Hebel immer richtig auf die gewünschte Betriebsartmarkierung. Wenn Sie das Werkzeug betreiben und sich der Hebel zwischen den einzelnen Betriebsartmarkierungen befindet, kann das Werkzeug beschädigt werden.

Einstellen des Anzugsdrehmoments (Abb. 7)

Das Anzugsdrehmoment kann in 16 Stufen eingestellt werden, indem der Justierungsring so gedreht wird, dass seine Einteilungsschritte am Pfeil auf dem Werkzeugkörper ausgerichtet sind. Das Anzugsdrehmoment ist minimal eingestellt, wenn die Zahl 1 am Pfeil ausgerichtet ist, und maximal, wenn die Zahl 16 am Pfeil ausgerichtet ist.

Schrauben Sie vor dem eigentlichen Betrieb eine Probeschraube in Ihr Material bzw. in ein Materialduplikat, um zu ermitteln, welche Drehmomentstufe für eine bestimmte Anwendung erforderlich ist.

MONTAGE

ACHTUNG:

- Schalten Sie das Werkzeug stets aus, und entfernen Sie den Akkublock, bevor Sie Arbeiten am Werkzeug ausführen.

Einsetzen des Seitengriffs (Zusatzgriff) (Abb. 8)

Verwenden Sie stets den Seitengriff, um die Betriebssicherheit zu gewährleisten.

Legen Sie den Seitengriff so ein, dass die Vorsprünge an der Grifffläche zwischen die Rillen an der Werkzeughülse passen. Ziehen Sie anschließend den Griff fest, indem Sie ihn im Uhrzeigersinn drehen.

Einsetzen oder Entfernen des Dreh- oder Bohreinsatzes (Abb. 9)

Drehen Sie den Kranz gegen den Uhrzeigersinn, um die Spannfutterbacken zu öffnen. Schieben Sie den Einsatz so weit wie möglich in das Spannfutter. Drehen Sie den Kranz im Uhrzeigersinn, um das Spannfutter anzuziehen.

Wenn Sie den Einsatz entfernen möchten, müssen Sie den Kranz gegen den Uhrzeigersinn drehen.

Einsetzen des Werkzeughalters (Abb. 10)

Setzen Sie den Werkzeughalter in den Vorsprung an der linken oder rechten Seite des Werkzeugfußes ein sichern Sie ihn mit einer Schraube.

Wenn Sie den Dreheinsatz nicht verwenden, bewahren Sie ihn in den Werkzeughaltern auf. Einsätze bis zu einer Länge von 45 mm können dort aufbewahrt werden.

Verstellbarer Tiefenanschlag (Abb. 11)

Der verstellbare Tiefenanschlag wird verwendet, um Löcher von gleichmäßiger Tiefe zu bohren. Lösen Sie die Klemmschraube, stellen Sie sie in die gewünschte Position und ziehen Sie die Klemmschraube wieder fest.

Haken (Abb. 12)

Der Haken ist nützlich, wenn Sie das Werkzeug vorübergehend aufhängen möchten. Er kann an jeder Seite des Werkzeugs befestigt werden.


Setzen Sie den Haken zur Montage in eine Rille am Werkzeuggehäuse (die Seite ist beliebig), und befestigen Sie diesen mit einer Schraube. Zur Entfernung müssen Sie nur die Schraube lockern und den Haken herausnehmen.

BETRIEB

Schlagbohrbetrieb

ACHTUNG:

- Beim Lochdurchschlag, wenn das Loch durch Holzspäne und -partikel verstopft ist oder wenn das Werkzeug auf Verstärkungsstangen im Beton trifft, wirken enorme und abrupte Drehkräfte auf das Werkzeug bzw. den Einsatz. Verwenden Sie stets den Seitengriff (Zusatzgriff) und halten Sie während der Arbeit das Werkzeug am Seitengriff und am Schaltergriff fest. Ansonsten kann es sein, dass Sie die Kontrolle über das Werkzeug verlieren und sich schwer verletzen.

Schieben Sie den Hebel zum Wechsel der Aktionsbetriebsart zunächst so, dass er auf die Markierung  zeigt. Für diesen Vorgang kann der Justierungsring an jeder beliebigen Drehmomentstufe ausgerichtet sein.


Achten Sie darauf, dass Sie einen Einsatz mit einer Hartmetallschulspitze verwenden. Setzen Sie den Einsatz auf die gewünschte Position des Lochs, und ziehen Sie dann den Auslöseschalter. Verwenden Sie das Werkzeug nicht mit Gewalt. Wenn Sie nur leichten Druck ausüben, erzielen Sie die besten Ergebnisse. Halten Sie das Werkzeug in Position und achten Sie darauf, dass es nicht vom Loch abrutscht.

Verstärken Sie den Druck nicht, wenn das Loch durch Holzspäne oder -partikel verstopft ist. Führen Sie stattdessen das Werkzeug im Leerlauf aus, und entfernen Sie dann den Einsatz teilweise aus dem Loch. Wenn Sie diesen Vorgang mehrmals wiederholen, wird das Loch gesäubert, und Sie können die normale Bohrung fortsetzen.

Ausblasvorrichtung (optionales Zubehör) (Abb. 13)

Wenn Sie das Loch gebohrt haben, entfernen Sie mit Hilfe der Ausblasvorrichtung den Staub aus dem Loch.

Schraubendreherbetrieb (Abb. 14)

Schieben Sie den Hebel zum Wechsel der Aktionsbetriebsart zunächst so, dass er auf die Markierung  zeigt. Stellen Sie den Justierungsring auf die für Ihre Arbeit geeignete Drehmomentstufe. Gehen Sie anschließend wie folgt vor.

Setzen Sie die Spitze des Dreheinsatzes in den Schraubenkopf, und üben Sie Druck auf das Werkzeug aus. Starten Sie das Werkzeug langsam, und erhöhen Sie nach und nach die Geschwindigkeit. Lassen Sie die Auslöseschaltung los, sobald die Kupplung greift.

HINWEIS:

- Vergewissern Sie sich, dass der Dreheinsatz gerade im Schraubenkopf sitzt. Andernfalls kann die Schraube und/oder der Einsatz beschädigt werden.
- Bohren Sie beim Drehen von Holzschrauben Löcher für die Schrauben vor, damit das Drehen vereinfacht wird und das Werkstück nicht splittert. Siehe Tabelle.


Nenn Durchmesser der Holzschraube (mm)	Empfohlene Größe des vorgebohrten Lochs (mm)
3,1	2,0 - 2,2
3,5	2,2 - 2,5
3,8	2,5 - 2,8
4,5	2,9 - 3,2
4,8	3,1 - 3,4
5,1	3,3 - 3,6
5,5	3,7 - 3,9
5,8	4,0 - 4,2
6,1	4,2 - 4,4

- Wenn das Werkzeug bis zur vollständigen Entladung des Akkus betrieben wurde, lassen Sie es 15 Minuten liegen, bevor Sie mit einem neuen Akku fortfahren.

Bohrbetrieb

ACHTUNG:

- Der Bohrvorgang kann durch übermäßigen Druck auf das Werkzeug nicht beschleunigt werden. Dieser übermäßige Druck beschädigt im Gegenteil die Spitze Ihres Einsatzes, vermindert die Leistung des Werkzeugs und verkürzt die Lebensdauer des Werkzeugs.
- Beim Lochdurchschlag wirken enorme Kräfte auf das Werkzeug/den Einsatz. Halten Sie das Werkzeug fest, und seien Sie vorsichtig, wenn der Einsatz das Werkstück durchbricht.
- Ein festsitzender Einsatz kann einfach wieder herausgezogen werden, indem die Drehrichtung mit dem Umschalter geändert wird. Es kann jedoch zu einem abrupten Rückschlag des Werkzeugs kommen, wenn Sie es nicht ganz fest halten.
- Befestigen Sie kleine Werkstücke immer in einem Schraubstock oder einer ähnlichen Haltevorrichtung.
- Wenn das Werkzeug bis zur vollständigen Entladung des Akkus betrieben wurde, lassen Sie es 15 Minuten liegen, bevor Sie mit einem neuen Akku fortfahren.

Schieben Sie den Hebel zum Wechsel der Aktionsbetriebsart zunächst so, dass er auf die Markierung  zeigt.

Für diesen Vorgang kann der Justierungsring an jeder beliebigen Drehmomentstufe ausgerichtet sein. Gehen Sie anschließend wie folgt vor.

Bohren in Holz

Beim Bohren in Holz werden die besten Ergebnisse mit Holzbohrern erzielt, die mit einer Leitspindel ausgestattet sind. Die Leitspindel vereinfacht den Bohrprozess, indem sie den Einsatz in das Werkstück zieht.

Bohren in Metall

Damit der Bohrer beim Beginn einer Lochbohrung nicht abrutscht, machen Sie mit einem Körner eine Einkerbung,

und hämmern Sie auf den Punkt, an dem gebohrt werden soll. Setzen Sie die Spitze des Einsatzes in die Einkerbung, und starten Sie den Bohrvorgang.

Verwenden Sie beim Bohren in Metall einen Schneideschmierstoff. Ausgenommen hiervon sind Eisen und Messing; diese Metalle sollten trocken gebohrt werden.

WARTUNG

ACHTUNG:

- Schalten Sie das Werkzeug stets aus und entfernen Sie den Akkublock, bevor Sie Inspektionen oder Wartungsarbeiten am Werkzeug vornehmen.

Austausch der Kohlebürsten

Ersetzen Sie diese, wenn sie bis zur Grenzmarkierung abgenutzt sind. Halten Sie die Kohlebürsten sauber und sorgen Sie dafür, dass sie locker in den Halterungen liegen. Beide Kohlebürsten sollten gleichzeitig ersetzt werden. Verwenden Sie nur identische Kohlebürsten.

(Abb. 15)

Entfernen Sie die beiden Schrauben mit einem Schraubendreher, und entfernen Sie dann die hintere Abdeckung. (Abb. 16)

Heben Sie den Federarm, und setzen Sie diesen dann mit der schlanken Spitze eines Schlitzschraubendrehers oder einem ähnlichen Gegenstand in den abgestuften Bereich des Gehäuses. (Abb. 17)

Entfernen Sie die Bürstenhalterkappen der Kohlebürsten mit einer Zange. Entnehmen Sie die verbrauchten Kohlebürsten, legen Sie die neuen ein und bringen Sie die Bürstenhalterkappen in umgekehrter Reihenfolge wieder an. (Abb. 18)

Vergewissern Sie sich, dass die Bürstenhalterkappen fest in den Öffnungen der Bürstenhalter sitzen. (Abb. 19)

Setzen Sie die hintere Abdeckung wieder ein, und ziehen Sie die beiden Schrauben fest an.

Um die SICHERHEIT und ZUVERLÄSSIGKEIT des Produkts zu gewährleisten, sollten Reparaturen, Wartungsarbeiten und Einstellungen nur durch von Makita autorisierte Servicecenter durchgeführt und immer Makita-Ersatzteile verwendet werden.

ZUBEHÖR

ACHTUNG:

- Die folgenden Zubehör- und Zusatzteile werden für das in diesem Handbuch beschriebene Makita-Werkzeug empfohlen. Die Verwendung anderer Zubehör- und Zusatzteile kann zu Personenschäden führen. Verwenden Sie Zubehör- und Zusatzteile nur für den vorgesehenen Zweck.

Informationen zu diesem Zubehör erhalten Sie bei einem Makita-Service Center in Ihrer Nähe.

- Bohreinsätze
- Schlagbohreinsätze
- Schraubendrehereinsätze
- Ausblasvorrichtung
- Sicherheitsgläser
- Verschiedene Arten von Makita-Originalakkus und -Ladegeräten

- Griff-Set
- Tiefenanschlag
- Haken
- Gummipolster-Set
- Wollhaube
- Polierschwamm

Für das Modell BHP441

Nur für europäische Länder

Geräusche und Vibrationen

Die typischen effektiven Geräuschpegel betragen für Schalldruck: 86 dB (A)
Schalleistungspegel: 97 dB (A)
Die Abweichung beträgt 3 dB

– Tragen Sie einen Gehörschutz. –

Der typische effektive Beschleunigungswert beträgt 6 m/s^2 .

Diese Werte wurden entsprechend der Norm EN60745 gewonnen.

Für das Modell BHP451

Nur für europäische Länder

Geräusche und Vibrationen

Die typischen effektiven Geräuschpegel betragen für Schalldruck: 87 dB (A)
Schalleistungspegel: 98 dB (A)
Die Abweichung beträgt 3 dB

– Tragen Sie einen Gehörschutz. –

Der typische effektive Beschleunigungswert beträgt 6 m/s^2 .

Diese Werte wurden entsprechend der Norm EN60745 gewonnen.

EG-KONFORMITÄTSERKLÄRUNG

Wir erklären unter unserer alleinigen Verantwortlichkeit, dass sich dieses Produkt in Übereinstimmung mit den folgenden Normen der Normdokumente EN60745, EN55014 befindet sowie in Übereinstimmung mit den Ratsverordnungen 89/336/ EEC, 98/37/EC.

Yasuhiko Kanzaki **CE 2005**



Director

MAKITA INTERNATIONAL EUROPE LTD.

Michigan Drive, Tongwell, Milton Keynes, Bucks MK15 8JD, ENGLAND

Verantwortlicher Hersteller:

Makita Corporation Anjo Aichi Japan

Objaśnienia do widoku ogólnego

- | | | |
|--|----------------------------|--------------------------------|
| 1. Czerwony element | 12. Opaska stalowa | 24. Gruszka do przedmuchiwania |
| 2. Przycisk | 13. Podstawa uchwytu | 25. Znak granicy zużycia |
| 3. Akumulator | 14. Występ | 26. Osłona tylna |
| 4. Język spustowy przełącznika | 15. Uchwyt boczny | 27. Wkręty |
| 5. Lampka | 16. Rowek | 28. Ramię |
| 6. Dźwignia przełącznika zmiany kierunku obrotów | 17. Tuleja | 29. Sprężyna |
| 7. Dźwignia zmiany prędkości | 18. Uchwyt na końcówki | 30. Gniazdo |
| 8. Pierścień zmiany trybu pracy | 19. Końcówka | 31. Nasadka szczotki węglowej |
| 9. Pierścień regulacyjny | 20. Ogranicznik głębokości | 32. Otwór |
| 10. Strzałka | 21. Śruba zaciskowa | 33. Nasadka szczotki węglowej |
| 11. Skala | 22. Wkręt | |
| | 23. Zaczep | |

DANE TECHNICZNE

Model		BHP441	BHP451
Głębokość wiercenia i zdolność wkręcania	Beton	14 mm	16 mm
	Stal	13 mm	13 mm
	Drewno	50 mm	65 mm
	Wkręt do drewna	6 mm x 75 mm	10 mm x 89 mm
	Wkręt do elementów metalowych	6 mm	
Prędkość bez obciążenia (min. ⁻¹)	Wysoka (3)	0 - 1700	0 - 1700
	Średnia (2)	0 - 600	0 - 600
	Niska (1)	0 - 300	0 - 300
Liczba uderzeń na minutę (min. ⁻¹)	Wysoka (3)	0 - 25.500	0 - 25.500
	Średnia (2)	0 - 9000	0 - 9000
	Niska (1)	0 - 4500	0 - 4500
Całkowita długość		250 mm	250 mm
Ciężar netto		2,1 kg	2,2 kg
Napięcie znamionowe		stałe 14,4 V	stałe 18 V

- Ze względu na stałe prowadzone prace badawczo-rozwojowe, podane tu dane techniczne mogą ulec zmianie bez powiadomienia.
- Uwaga: W innych krajach urządzenie może mieć odmienne parametry techniczne.

Symbole

Poniżej przedstawiono symbole stosowane w przypadku omawianego narzędzia. Przed przystąpieniem do użytkowania narzędzia należy koniecznie zapoznać się z ich znaczeniem.



Dotyczy tylko państw UE

Nie wyrzucaj urządzeń elektrycznych wraz z odpadami z gospodarstwa domowego!

Zgodnie z Europejską Dyrektywą 2002/96/ WE w sprawie zużytego sprzętu elektrotechnicznego i elektronicznego oraz dostosowaniem jej do prawa krajowego, zużyte urządzenia elektryczne należy posegregować i zutylizować w sposób przyjazny dla środowiska.

Przeznaczenie

Narzędzie przeznaczone jest do wiercenia udarowego w cegle, betonie i kamieniu, jak również do wiercenia w drewnie, metalu, ceramice i tworzywach sztucznych bez użycia udaru.

OGÓLNE ZASADY BEZPIECZEŃSTWA

UWAGA:

Należy zapoznać się z wszystkimi zaleceniami.

Niezastosowanie się do podanych poniżej instrukcji może prowadzić do porażenia prądem elektrycznym, pożaru i/ lub poważnych obrażeń ciała. Pojęcie „elektronarzędzie”, występujące we wszystkich wymienionych poniżej ostrzeżeniach, odnosi się do elektronarzędzi zasilanych z sieci energetycznej (z przewodem zasilającym) lub do elektronarzędzi akumulatorowych (bezprowadowych).

INSTRUKCJĘ OBSŁUGI NALEŻY ZACHOWAĆ

Bezpieczeństwo w miejscu pracy

1. W miejscu pracy należy utrzymywać czystość i zadbać o dobre oświetlenie. Bałagan i słabe oświetlenie sprzyjają wypadkom.
2. Elektronarzędzi nie wolno używać w miejscach zagrożonych wybuchem, na przykład w obecności łatwopalnych cieczy, gazów lub pyłów. W trakcie pracy elektronarzędzia powstają iskry, które mogą spowodować zapalenie się pyłu lub oparów.
3. Nie należy uruchamiać elektronarzędzia, gdy w pobliżu znajdują się dzieci lub osoby postronne. Chwila nieuwagi może spowodować utratę kontroli.

Zasady bezpieczeństwa dotyczące urządzeń elektrycznych

4. Wtyczka przewodu zasilającego elektronarzędzia musi pasować do gniazda elektrycznego. Nie wolno dokonywać żadnych przeróbek wtyczki. W przypadku elektronarzędzi wymagających uziemienia nie wolno stosować żadnych przejściówek. Oryginalne wtyczki i właściwie dopasowane gniazda zmniejszają ryzyko porażenia prądem elektrycznym.
5. Należy unikać kontaktu z powierzchniami uziemionych przedmiotów, jak rury, grzejniki, kuchenki, czy lodówki. Gdy ciało jest uziemione, wzrasta ryzyko porażenia prądem elektrycznym.
6. Elektronarzędzia należy chronić przed deszczem i wilgocią. Woda, która dostanie się do środka, zwiększa ryzyko porażenia prądem elektrycznym.
7. Przewodu zasilającego należy używać wyłącznie zgodnie z jego przeznaczeniem. Nie wolno wykorzystywać go do przenoszenia lub przyciągania narzędzia, ani do wyciągania wtyczki z gniazda elektrycznego. Przewód należy trzymać z dala od źródeł ciepła, oleju, ostrych krawędzi lub znajdujących się w ruchu podzespołów. Uszkodzone lub poplątane przewody zasilające zwiększają ryzyko porażenia prądem elektrycznym.
8. W przypadku używania elektronarzędzia na dworze należy skorzystać z przedłużacza do zastosowań zewnętrznych. Tylko taki przedłużacz zmniejsza ryzyko porażenia prądem elektrycznym.

Bezpieczeństwo osobiste

9. Podczas pracy z elektronarzędziem należy zachować czujność, obserwować wykonywane

operacje i kierować się zdrowym rozsądkiem. Nie wolno używać elektronarzędzia, gdy jest się zmęczonym albo pod wpływem narkotyków, alkoholu bądź leków. Chwila nieuwagi podczas pracy może spowodować poważny wypadek.

10. Używać sprzętu ochronnego. Zawsze należy mieć na sobie okulary ochronne. Maski przeciwpyłowe, buty antypoślizgowe, kask, ochraniacze na uszy używane w odpowiednich warunkach zmniejszają ryzyko doznania obrażeń.
11. Należy unikać przypadkowego uruchomienia urządzenia. Przed podłączeniem zasilania trzeba sprawdzić, czy przełącznik znajduje się w pozycji wyłączenia. Przenoszenie elektronarzędzi z palcem na przełączniku lub podłączanie przewodu zasilającego przy włączonym przełączniku grozi wypadkiem.
12. Przed włączeniem elektronarzędzia należy usunąć wszelkie klucze, które były wykorzystywane do regulacji. Klucz pozostawiony na obracającym się elemencie elektronarzędzia może spowodować poważne obrażenia ciała.
13. Nie wolno sięgać narzędziem zbyt daleko. Należy stać pewnie, aby nie stracić równowagi. Taka postawa pozwala uniknąć utraty kontroli nad narzędziem w nieoczekiwanych sytuacjach.
14. Ubranie powinno być właściwie dobrane. Nie wolno zakładać luźnych części garderoby ani biżuterii. Włosy, ubranie i rękawice należy trzymać z dala od ruchomych części. Luźne części ubrania, biżuteria i długie włosy mogą bowiem zostać pochwycone.
15. Jeżeli narzędzie jest przystosowane do podłączenia urządzeń do odsysania lub odbierania pyłu, należy upewnić się, że są one prawidłowo podłączone i właściwie używane. Wspomniane urządzenia obniżają poziom zagrożeń wynikających z zapylenia.

Użytkowanie elektronarzędzi i dbałość o nie

16. Elektronarzędzi nie wolno przeciążać. Należy używać tylko właściwego narzędzia przeznaczonego do danego zastosowania. Pozwoli ono wykonać pracę lepiej i bezpieczniej, w przewidzianym przez projektanta tempie.
17. Nie wolno używać elektronarzędzia z uszkodzonym przełącznikiem zasilania. Narzędzia z uszkodzonym przełącznikiem są niebezpieczne i wymagają naprawy.
18. Przed przystąpieniem do wykonywania regulacji, wymiany osprzętu lub przed odłożeniem narzędzia na swoje miejsce należy zawsze wyjąć wtyczkę przewodu zasilającego z gniazda i/lub odłączyć akumulator. Takie działania prewencyjne zmniejszają ryzyko przypadkowego uruchomienia elektronarzędzia.
19. Nieużywane elektronarzędzia należy chronić przed dziećmi. Nie wolno również zezwalać na korzystanie z nich osobom, które nie znają danego narzędzia albo nie zapoznały się z jego instrukcją obsługi. Elektronarzędzia w rękach nieprzeszkolonych użytkowników mogą być niebezpieczne.

20. O elektronarzędzia trzeba dbać. Należy kontrolować je pod kątem nieprawidłowego ustawienia lub zablokowania elementów ruchomych, pęknięć lub innych usterek, które mogą mieć wpływ na działanie urządzenia. W przypadku stwierdzenia uszkodzenia należy zlecić jego naprawę. Niedbalstwo jest przyczyną wielu wypadków.
21. Narzędzia do cięcia powinny być zawsze czyste i naostrzone. Właściwie konserwowane narzędzia do cięcia z ostrymi krawędziami tnącymi rzadziej się zakleszczają i łatwiej je prowadzić.
22. Elektronarzędzie, osprzęt, końcówki robocze itp. należy stosować zgodnie z niniejszą instrukcją i w sposób właściwy dla danego typu narzędzia, mając na uwadze warunki i rodzaj pracy do wykonania. Używanie elektronarzędzia do innych, niezgodnych z przeznaczeniem celów może stwarzać niebezpieczną sytuację.

Użytkowanie narzędzi akumulatorowych i dbałość o nie

23. Przed włożeniem akumulatora należy upewnić się, czy przełącznik znajduje się w pozycji wyłączenia. Wkładanie akumulatora do elektronarzędzi z włączonym przełącznikiem sprzyja wypadkom.
24. Akumulator należy ładować wyłącznie przy użyciu ładowarki określonej przez producenta. Ładowarka przeznaczona do jednego typu akumulatora może stwarzać zagrożenie pożarem, gdy będzie używana do ładowania innego akumulatora.
25. Do zasilania elektronarzędzi należy używać tylko specjalnie do tego celu przeznaczonych akumulatorów. Używanie innych akumulatorów może grozić wypadkiem lub pożarem.
26. Gdy akumulator nie jest używany, należy chronić go przed kontaktem z metalowymi przedmiotami, typu spinacze, monety, klucze, gwoździe, wkręty lub innymi metalowymi drobiazgami, które mogą spowodować zwarcie styków akumulatora. Zwarcie styków akumulatora z kolei grozi poparzeniami lub pożarem.
27. W przypadku niewłaściwych warunków eksploatacji może dojść do wycieku elektrolitu z akumulatora. Nie należy go dotykać. W razie przypadkowego kontaktu przemyć wodą. W przypadku kontaktu z oczami dodatkowo zwrócić się o pomoc lekarską. Ciecz z akumulatora może powodować podrażnienie lub poparzenia.

Naprawy

28. Naprawę elektronarzędzi należy zlecać wykwalifikowanemu personelowi technicznemu, który stosuje wyłącznie oryginalne części zamienne. Pozwoli to zachować niezmienny poziom bezpieczeństwa elektronarzędzia.
29. Należy postępować zgodnie z instrukcjami dotyczącymi smarowania i wymiany elementów wyposażenia.
30. Uchwyty powinny być zawsze suche, czyste, bez pozostałości oleju lub smaru.

SZCZEGÓLWE ZASADY BEZPIECZEŃSTWA

NIE WOLNO pozwolić, aby wygoda lub rutyna (nabyta w wyniku wielokrotnego używania narzędzia) zastąpiły ścisłe przestrzeganie zasad bezpieczeństwa obsługi wiertarki udarowej. Używanie elektronarzędzia w sposób niebezpieczny lub niewłaściwy grozi poważnymi obrażeniami ciała.

1. W przypadku wiercenia udarowego należy używać ochraniaczy na uszy. Hałas może spowodować utratę słuchu.
2. Należy używać pomocniczych rękojeści dostarczanych wraz z narzędziem. Utrata kontroli grozi poważnymi obrażeniami.
3. Gdy podczas pracy elektronarzędzie do cięcia może zetknąć się z ukrytymi przewodami elektrycznymi bądź własnym przewodem zasilającym, należy je trzymać za izolowane uchwyty. Zetknięcie z przewodem elektrycznym pod napięciem powoduje, że również odsonięte elementy metalowe narzędzia znajdują się pod napięciem, grożąc porażeniem operatora prądem elektrycznym.
4. Podczas pracy należy zadbać o dobre oparcie dla nóg. W przypadku używania narzędzia w miejscach położonych na pewnej wysokości należy upewnić się, czy przypadkiem poniżej nie znajdują się inne osoby.
5. Narzędzie należy trzymać obrucząc.
6. Nie wolno zbliżać rąk do obracających się części.
7. Nie wolno pozostawiać uruchomionego narzędzia. Można je uruchomić dopiero wówczas, gdy jest przytrzymywane rękoma.
8. Zaraz po zakończeniu pracy nie wolno dotykać wiertła ani obrabianego elementu. Mogą one być bardzo gorące, grożąc poparzeniem skóry.
9. Niektóre materiały zawierają substancje chemiczne, które mogą być toksyczne. Należy zachować ostrożność, unikając wdychania pyłów i kontaktu ze skórą. Postępować zgodnie z kartą charakterystyki dostawcy materiału.

INSTRUKCJĘ OBSŁUGI NALEŻY ZACHOWAĆ

UWAGA:

NIEWŁAŚCIWE UŻYTKOWANIE narzędzia lub niestosowanie się do zasad bezpieczeństwa podanych w niniejszej instrukcji obsługi może prowadzić do poważnych obrażeń ciała.

WAŻNE ZASADY BEZPIECZEŃSTWA DOTYCZĄCE AKUMULATORA

1. Przed użyciem akumulatora należy zapoznać się z wszystkimi zaleceniami i znakami ostrzegawczymi na (1) ładowarce, (2) akumulatorze i (3) wyrobie, w którym będzie używany akumulator.
2. Akumulatora nie wolno rozbiierać.
3. Jeżeli czas pracy uległ znacznemu skróceniu, należy natychmiast przerwać pracę. Może bowiem

dojść do przegrzania, ewentualnych poparzeń, a nawet eksplozji.

4. W przypadku przedostania się elektrolitu do oczu, należy przemyć je wodą i niezwłocznie uzyskać pomoc lekarską. Może on bowiem spowodować utratę wzroku.
5. Nie wolno zwierać akumulatora:
 - (1) Nie dotykać styków metalowymi materiałami.
 - (2) Unikać przechowywania akumulatora w pojemniku z innymi metalowymi przedmiotami, typu gwoździe, monety itp.
 - (3) Chronić akumulator przed deszczem. Zwarcie prowadzi do przepływu dużego prądu elektrycznego i przegrzania akumulatora, co w konsekwencji może grozić poparzeniami a nawet awarią urządzenia.
6. Narzędzia i akumulatora nie wolno przechowywać w miejscach, w których temperatura osiąga bądź przekracza 50°C.
7. Akumulatorów nie wolno palić, również tych poważnie uszkodzonych lub całkowicie zużytych. W ogniu mogą one bowiem eksplodować.
8. Należy uważać, aby nie upuścić akumulatora, i chronić go przed uderzeniami.

INSTRUKCJĘ OBSŁUGI NALEŻY ZACHOWAĆ

Wskazówki dotyczące zachowania maksymalnej trwałości akumulatora

1. Akumulator należy naładować zanim ulegnie całkowitemu rozładowaniu. W przypadku stwierdzenia spadku mocy narzędzia należy przerwać pracę i naładować akumulator.
2. Nie wolno ładować w pełni naładowanego akumulatora. Zbyt długie ładowanie skraca okres eksploatacji.
3. Akumulator należy ładować w temperaturze mieszczącej się w przedziale 10°C - 40°C. Gdy akumulator jest gorący, należy przed przystąpieniem do jego ładowania odczekać, aż ostygnie.

OPIS DZIAŁANIA

UWAGA:

- Przed przystąpieniem do regulacji lub przeglądu narzędzia upewnij się, czy jest ono wyłączone i czy akumulator został wyjęty.

Wkładanie lub wyciąganie akumulatora (Rys. 1)

- Przed włożeniem lub wyjęciem akumulatora należy zawsze wyłączyć narzędzie.
- Aby wyjąć akumulator, należy przesunąć przycisk znajdujący się z boku i wysunąć akumulator.
- Aby włożyć akumulator, wystarczy wyrównać występ na akumulatorze z rowkiem w obudowie i wsunąć go na swoje miejsce. Akumulator należy wsunąć do oporu, aż wskoczy na swoje miejsce, co sygnalizuje delikatne kliknięcie. Jeżeli element w kolorze czerwonym w górnej części przycisku jest widoczny, akumulator nie jest całkowicie zablokowany. Należy go

wsunąć do oporu, aż czerwony element przestanie być widoczny. W przeciwnym razie może on przypadkowo wypaść z narzędzia, raniąc operatora lub osoby postronne.

- Podczas wkładania akumulatora nie należy stosować siły. Jeżeli akumulator nie wchodzi swobodnie, nie został on prawidłowo wsunięty.

Mechanizm przełącznika (Rys. 2)

UWAGA:

- Przed włożeniem akumulatora do narzędzia należy zawsze sprawdzić, czy język spustowy przełącznika działa prawidłowo i po zwolnieniu powraca do położenia „OFF”.

Aby uruchomić narzędzie, należy pociągnąć za język spustowy przełącznika. Prędkość narzędzia rośnie wraz ze zwiększaniem nacisku na język spustowy. W celu zatrzymania urządzenia wystarczy zwolnić język spustowy przełącznika.

Zapalanie lampki czołowej (Rys. 3)

UWAGA:

- Nie wolno zaglądać do lampki lub kierować wzroku bezpośrednio na źródło światła.

W celu zapalenia lampki należy pociągnąć za język spustowy. Lampka świeci dopóki język spustowy przełącznika jest naciskany. Lampka gaśnie po 10 – 15 sekundach od momentu zwolnienia języka spustowego.

UWAGA:

- Do czyszczenia soczewki lampki powinno się używać suchej szmatki. Należy przy tym zachować ostrożność, aby nie porysować powierzchni soczewki lampki, gdyż można w ten sposób zmniejszyć natężenie światła.

Mechanizm zmiany kierunku obrotów (Rys. 4)

Omawiane narzędzie jest wyposażone w przełącznik umożliwiający zmianę kierunku obrotów. W celu uzyskania obrotów zgodnych z ruchem wskazówek zegara należy nacisnąć dźwignię przełącznika zmiany kierunku obrotów po stronie „A”. Z kolei, aby uzyskać obroty przeciwnie do ruchu wskazówek zegara, wystarczy nacisnąć dźwignię przełącznika po stronie „B”.

Gdy dźwignia przełącznika zmiany kierunku obrotów znajduje się w położeniu neutralnym, język spustowy przełącznika jest zablokowany.

UWAGA:

- Przed uruchomieniem narzędzia należy zawsze sprawdzić ustawienie kierunku obrotów.
- Kierunek obrotów można zmieniać tylko wówczas, gdy urządzenie całkowicie się zatrzyma. Zmiana kierunku obrotów przed zatrzymaniem się narzędzia grozi jego uszkodzeniem.
- Gdy narzędzie nie jest używane, należy zawsze ustawić dźwignię przełącznika zmiany kierunku obrotów w położeniu neutralnym.

Zmiana prędkości obrotowej (Rys. 5)

Omawiane narzędzie posiada trzybiegową dźwignię zmiany prędkości. W celu zmiany prędkości wystarczy najpierw wyłączyć narzędzie, a następnie przesunąć

dźwignię zmiany prędkości do pozycji „1” odpowiadającej niskiej prędkości, do pozycji „2” odpowiadającej średniej prędkości lub do pozycji „3” odpowiadającej wysokiej prędkości. Przed przystąpieniem do pracy należy upewnić się, czy dźwignia zmiany prędkości obrotowej jest ustawiona we właściwej pozycji. Do wykonania konkretnego zadania powinno się używać właściwej prędkości.

UWAGA:


- Mogą wystąpić pewne niewielkie trudności z przestawieniem dźwigni zmiany prędkości z pozycji „1” do „3” i z pozycji „3” do „1”. W takiej sytuacji należy włączyć narzędzie i uruchomić je na chwilę w pozycji „2”, a następnie zatrzymać i przesunąć dźwignię do wybranej pozycji.

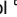
UWAGA:


- Dźwignię zmiany prędkości należy zawsze ustawiać dokładnie w wybranej pozycji. W przypadku uruchomienia narzędzia przy dźwigni zmiany prędkości ustawionej w połowie między pozycją „1”, pozycją „2” i pozycją „3” może dojść do uszkodzenia narzędzia.
- Nie wolno korzystać z dźwigni zmiany prędkości, gdy narzędzie jest w ruchu. Narzędzie bowiem może ulec uszkodzeniu.

Wybór trybu pracy (Rys. 6)

W omawianym narzędziu zastosowano dźwignię zmiany trybu pracy. Spośród trzech trybów pozwala ona wybrać jeden, odpowiedni dla potrzeb danego zadania.

W celu włączenia tylko ruchu obrotowego należy przesunąć dźwignię w taki sposób, aby wskazywała symbol  na korpusie narzędzia.

W celu włączenia ruchu obrotowego z udarem wystarczy przesunąć dźwignię w taki sposób, aby wskazywała symbol  na korpusie narzędzia.

W celu włączenia ruchu obrotowego ze sprężem wystarczy przesunąć dźwignię w taki sposób, aby wskazywała symbol  na korpusie narzędzia.

UWAGA:

- Mogą wystąpić pewne niewielkie trudności z przestawieniem dźwigni zmiany trybu pracy z pozycji „1” do pozycji „2”. W takiej sytuacji należy włączyć narzędzie i uruchomić je na chwilę w pozycji „3”, a następnie zatrzymać i przesunąć dźwignię do wybranej pozycji.

UWAGA:

- Dźwignia powinna być zawsze precyzyjnie ustawiona w pozycji oznaczonej znakiem, który odpowiada wybranemu trybowi pracy. W przypadku uruchomienia narzędzia, gdy dźwignia ustawiona jest między znakami trybu pracy, może dojść do jego uszkodzenia.

Regulacja momentu dokręcania (Rys. 7)

Moment dokręcania można regulować w zakresie 16 ustawień poprzez obrót pierścienia regulacyjnego w taki sposób, aby właściwe ustawienie na pierścieniu znalazło się w jednej linii ze strzałką na obudowie narzędzia.

Moment dokręcania ma wartość minimalną, gdy strzałka wskazuje numer 1, a maksymalną po wyrównaniu strzałki z numerem 16.

Przed przystąpieniem do pracy należy przeprowadzić próbę wkręcania w dany element lub inny element z tego samego materiału, aby ustalić poziom momentu obrotowego wymagany w danym zastosowaniu.

MONTAŻ

UWAGA:

- Przed przystąpieniem do jakichkolwiek czynności związanych z obsługą narzędzia należy zawsze upewnić się, czy jest ono wyłączone i czy akumulator został wyjęty.

Montaż uchwyty boczny (rękojeść pomocnicza) (Rys. 8)

W celu zapewnienia bezpieczeństwa obsługi należy zawsze korzystać z uchwytu bocznego.

Nasuń uchwyt boczny w taki sposób, aby występy znajdujące się na podstawie uchwytu weszły w rowki na korpusie narzędzia. Następnie dokręć uchwyt obracając go zgodnie z ruchem wskazówek zegara.

Montaż i demontaż wiertła lub końcówki do wkręcania (Rys. 9)

Obróć tuleję w kierunku przeciwnym do ruchu wskazówek zegara, aby rozsunąć szczęki uchwytu. Wsuń do oporu końcówkę do uchwytu wiertarskiego. W celu zaciśnięcia końcówki w uchwycie obróć tuleję w kierunku zgodnym z ruchem wskazówek zegara.

Abym wyjąć końcówkę obróć tuleję w kierunku przeciwnym do ruchu wskazówek zegara.

Montaż uchwytu na końcówki (Rys. 10)

Wpasuj uchwyt na końcówki w występ w stopie narzędzia z prawej bądź z lewej strony i przymocuj go wkrętem.

Jeżeli końcówka do wkręcania nie jest używana trzymaj ją w uchwycie. Można w nim przechowywać końcówki o długości 45 mm.

Regulowany ogranicznik głębokości (Rys. 11)

Regulowany ogranicznik głębokości wykorzystywany jest do wiercenia otworów o takiej samej głębokości. Poluzuj śrubę zaciskową, ustaw wybrane położenie, a następnie przykręć śrubę zaciskową.

Zaczep (Rys. 12)

Zaczep jest wygodny, aby na chwilę zawiesić narzędzie. Można go zamontować z jednej lub z drugiej strony narzędzia.

Abym zamontować zaczep, wsuń go w rowek w obudowie znajdujący się z obu stron, a następnie przykręć go wkrętem. Aby zdemontować zaczep, poluzuj wkręt i ściągnij zaczep.


OBSŁUGA

Operacja wiercenia z użyciem uduaru

UWAGA:

- W momencie przewiercania otworu, gdy otwór zapchany jest wiórami, opiłkami lub gruzem lub w przypadku natknięcia się na pręty zbrojeniu

osadzone w betonie na narzędzie/wiertło wywierana jest nagle olbrzymia siła skręcająca. Należy zawsze używać uchwytu bocznego (rękojeści pomocniczej) i podczas pracy trzymać narzędzie zarówno za uchwyt boczny jak i rękojeść z przełącznikiem. Niestosowanie się do tej zasady może spowodować utratę kontroli nad narzędziem i ewentualnie poważne obrażenia.

Najpierw przesunąć dźwignię zmiany trybu pracy do pozycji oznaczonej znakiem . Za pomocą pierścienia regulacyjnego można ustawić dowolną wartość momentu wymaganego do wykonania danej operacji.

Należy koniecznie używać wiertła z końcówką z węgla wolframu. Ustaw wiertło w wybranym miejscu, gdzie ma być wywierony otwór, a następnie pociągnij za język spustowy przełącznika. Nie przeciążać narzędzia. Lekki nacisk daje najlepsze wyniki. Trzymaj narzędzie w jednej pozycji uważając, aby ślizgając się wiertło nie przesunęło się względem otworu.


Nie zwiększaj nacisku, gdy otwór zapcha się wiórami, opiłkami lub gruzem. Zamiast tego pozwól, aby narzędzie pracowało przez chwilę bez obciążenia, a następnie wyciągnij wiertło częściowo z otworu. Po kilkakrotnym powtórzeniu tej procedury otwór zostanie oczyszczony i można wznowić normalną operację wiercenia.

Gruszka do przedmuchiwania

(wyposażenie dodatkowe) (Rys. 13)

Po wywierzeniu otworu można skorzystać z gruszki do przedmuchiwania, aby oczyścić otwór z pyłu.

Operacja wkręcania (Rys. 14)

Najpierw przesunąć dźwignię zmiany trybu pracy do pozycji oznaczonej znakiem . Ustaw pierścień regulacyjny w pozycji odpowiadającej właściwemu dla danej operacji momentowi. Następnie postępuj zgodnie z poniższym opisem.

Wsuń ostrze końcówki do wkręcania do gniazda we łbie wkrętu i dociśnij narzędzie. Uruchoń powoli narzędzie, a następnie stopniowo zwiększaj prędkość. Gdy tylko sprężło zadziała, zwolnij język spustowy przełącznika.

UWAGA:

- Końcówka do wkręcania powinna być prostopadła do łba wkrętu, w przeciwnym razie wkręt i/lub końcówka mogą ulec uszkodzeniu.
- W przypadku osadzania wkrętów w drewnie należy wcześniej ponawierać otwory prowadzące. Ułatwiają one wkręcanie i zapobiegają pękaniu elementu. Zapoznaj się z tabelą.


Nominalna średnica wkrętu do drewna (mm)	Zalecany rozmiar otworu prowadzącego (mm)
3,1	2,0 – 2,2
3,5	2,2 – 2,5
3,8	2,5 – 2,8
4,5	2,9 – 3,2
4,8	3,1 – 3,4
5,1	3,3 – 3,6
5,5	3,7 – 3,9
5,8	4,0 – 4,2
6,1	4,2 – 4,4

- Jeżeli narzędzie jest używane bez przerwy aż do rozładowania akumulatora, zanim praca zostanie podjęta na nowo z użyciem innego naładowanego akumulatora, należy odstawić narzędzie na 15 minut.

Operacja wiercenia

UWAGA:

- Nadmierne dociskanie narzędzia nie przyspiesza operacji wiercenia. Zbyt duży docisk może się tylko przyczynić do uszkodzenia końcówki wiertła, obniżenia wydajności narzędzia i skrócenia czasu jego eksploatacji.
- W momencie przebijania otworu na narzędzie/wiertło wywierana jest olbrzymia siła. Gdy wiertło zaczyna przebijać otwór w elemencie na wylot, należy trzymać mocno narzędzie i zachować ostrożność.
- Zakleszczony wiertło można w prosty sposób wyciągnąć z otworu, zmieniając kierunek obrotów za pomocą przełącznika i wycofując je. Podczas wycofywania narzędzia, mogą jednak wystąpić problemy z jego opanowaniem, jeżeli nie będzie ono mocno przytrzymywane.
- Małe elementy należy zawsze mocować w imadle lub podobnym przyrządzie do przytrzymywania.
- Jeżeli narzędzie jest używane bez przerwy aż do rozładowania akumulatora, zanim praca zostanie podjęta na nowo z użyciem innego naładowanego akumulatora, należy odstawić narzędzie na 15 minut.

Najpierw przesunąć dźwignię zmiany trybu pracy do pozycji oznaczonej znakiem .

Za pomocą pierścienia regulacyjnego można ustawić dowolną wartość momentu wymaganego do wykonania danej operacji. Następnie postępuj zgodnie z poniższym opisem.

Wiercenie w drewnie

W przypadku wiercenia w drewnie najlepsze rezultaty uzyskuje się stosując wiertła zakończone wkrętem prowadzącym. Wkręt prowadzący ułatwia wiercenie, ponieważ wciąga wiertło w nawiercany element.

Wiercenie w metalu

Aby uniknąć ześlizgiwania się wiertła na początku operacji, wykonaj za pomocą punktaka i młotka wgłębienie w miejscu, w którym ma być wykonany otwór. Ustaw końcówkę wiertła we wgłębieniu i rozpocznij wiercenie.

W przypadku wiercenia w metalach należy stosować płyn obróbkowy. Wyjątek stanowią żelazo i mosiądz, w których wierce się na sucho.

KONSERWACJA

UWAGA:

- Przed przystąpieniem do przeglądu narzędzia lub jego konserwacji należy upewnić się, że zostało ono wyłączone, a akumulator został wyjęty.

Wymiana szczotek węglowych

Potrzebę wymiany szczotek sygnalizuje znak granicy zużycia. Szczotki węglowe powinny być czyste, aby można je było swobodnie wsunąć do uchwyty. Obie szczotki węglowe powinny być wymieniane równocześnie. Należy stosować wyłącznie identyczne szczotki węglowe. **(Rys. 15)**

Za pomocą śrubokręta wykręć dwie śruby, następnie ściągnij tylną osłonę. **(Rys. 16)**

Korzystając z cienkiego śrubokręta płaskiego lub podobnego przyrządu unieś ramię sprężyny, a następnie wsuń je w gniazdo w obudowie. **(Rys. 17)**

Używając szczypic ściągnij nasadki szczotek węglowych. Wymij zużyte szczotki węglowe, wsadź nowe i ponownie załóż nasadki szczotek, wykonując czynności w odwrotnej kolejności. **(Rys. 18)**

Upewnij się, czy nasadki szczotek węglowych dobrze tkwią w otworach uchwyty szczotek. **(Rys. 19)**

Zamontuj ponownie osłonę tylną, a następnie dobrze dokręć oba wkręty.

W celu zachowania odpowiedniego poziomu BEZPIECZEŃSTWA i NIEZAWODNOŚCI wyrobu, wszelkie naprawy i różnego rodzaju prace konserwacyjne lub regulacje powinny być przeprowadzane przez autoryzowany punkt serwisowy narzędzi Makita, zawsze z użyciem części zamiennych Makita.

WYPOSAŻENIE DODATKOWE

UWAGA:

- Z narzędziem opisanym w niniejszym podręczniku można używać poniższych zalecanych akcesoriów i przystawek. Stosowanie innych akcesoriów lub przystawek grozi obrażeniami ciała. Akcesoria lub przystawki należy wykorzystywać wyłącznie do celów, do których zostały przeznaczone.

Więcej szczegółów na temat podanego wyposażenia dodatkowego można uzyskać w miejscowym punkcie serwisowym narzędzi Makita.

- Wiertła
- Wiertła udarowe
- Końcówki do wkrętów
- Gruszka do przedmuchiwania
- Gogle ochronne
- Różne typy oryginalnych akumulatorów i ładowarek marki Makita
- Kompletny uchwyt
- Ogranicznik głębokości
- Zaczep
- Gumowa tarcza szlifierska
- Nakładka welniana
- Piankowa tarcza polerska

W przypadku modelu BHP441

Dotyczy tylko krajów europejskich

Poziom hałas i drgań

Typowe równoważne poziomy dźwięku A wynoszą poziom ciśnienia akustycznego: 86 dB (A) poziom mocy akustycznej: 97 dB (A) Niepewność: 3 dB

- Należy zakładać ochraniacze na uszy. -

Typowa wartość ważonej średniej kwadratowej przyspieszenia wynosi 6 m/s².

Powyższe wartości uzyskano w oparciu o normę EN60745.

W przypadku modelu BHP451

Dotyczy tylko krajów europejskich

Poziom hałas i drgań

Typowe równoważne poziomy dźwięku A wynoszą poziom ciśnienia akustycznego: 87 dB (A) poziom mocy akustycznej: 98 dB (A) Niepewność: 3 dB

- Należy zakładać ochraniacze na uszy. -

Typowa wartość ważonej średniej kwadratowej przyspieszenia wynosi 6 m/s².

Powyższe wartości uzyskano w oparciu o normę EN60745.

DEKLARACJA ZGODNOŚCI ELEKTROMAGNETYCZNEJ

W świetle Dyrektywy Rady o sygnaturach 89/336/EEC i 98/37/EC oświadczamy na własną odpowiedzialność, że omawiany wyrób jest zgodny z normami EN60745, EN55014 zawartymi w dokumentach normalizacyjnych.

Yasuhiko Kanzaki CE 2005



Dyrektor

MAKITA INTERNATIONAL EUROPE LTD.

Michigan Drive, Tongwell, Milton Keynes, Bucks MK15 8JD, ENGLAND

Odpowiedzialny producent:
Makita Corporation Anjo Aichi Japan

Пояснения к общему виду

- | | | |
|--------------------------------------|---------------------|-----------------------------|
| 1. Красная часть | 12. Стальной хомут | 24. Груша для выдувки |
| 2. Кнопка | 13. Основание ручки | 25. Ограничительная метка |
| 3. Блок аккумулятора | 14. Выступ | 26. Задняя крышка |
| 4. Курковый выключатель | 15. Боковая ручка | 27. Винты |
| 5. Лампа | 16. Паз | 28. Ручка |
| 6. Рычаг обратного хода | 17. Патрон | 29. Пружина |
| 7. Рычаг изменения скорости | 18. Держатель бит | 30. Углубленная часть |
| 8. Кольцо переключения режима работы | 19. Бита | 31. Колпачок угольной щетки |
| 9. Регулировочное кольцо | 20. Глубиномер | 32. Отверстие |
| 10. Стрелка | 21. Зажимной винт | 33. Колпачок угольной щетки |
| 11. Градуированная шкала | 22. Винт | |
| | 23. Крючок | |

ТЕХНИЧЕСКИЕ ХАРАКТЕРИСТИКИ

Модель		ВНР441	ВНР451
Эксплуатационные возможности	Бетон	14 мм	16 мм
	Сталь	13 мм	13 мм
	Древесина	50 мм	65 мм
	Шурупы для дерева	6 мм x 75 мм	10 мм x 89 мм
	Мелкие крепежные винты	6 мм	
Скорость без нагрузки (об/мин)	Высокая (3)	0 – 1700	0 – 1700
	Средняя (2)	0 – 600	0 – 600
	Низкая (1)	0 – 300	0 – 300
Ударов в минуту (уд/мин)	Высокая (3)	0 – 25500	0 – 25500
	Средняя (2)	0 – 9000	0 – 9000
	Низкая (1)	0 – 4500	0 – 4500
Общая длина		250 мм	250 мм
Вес нетто		2,1 кг	2,2 кг
Расчетное напряжение		14,4 В пост. тока	18 В пост. тока

- Благодаря нашей постоянно действующей программе исследований и разработок, указанные здесь технические характеристики могут быть изменены без предварительного уведомления.
- Примечание: Технические характеристики могут отличаться в зависимости от страны.

Символы

Ниже приведены символы, используемые для электроинструмента. Перед использованием убедитесь, что вы понимаете их значение.



Назначение

Инструмент предназначен для сверления отверстий с ударным действием в кирпиче, бетоне, камне, а также для сверления без ударного действия древесины, стали, керамики и пластика.

Только для стран ЕС

Не выкидывайте электрическое оборудование вместе с обычным мусором!

В соответствии с европейской директивой 2002/96/EG об утилизации старого электрического и электронного оборудования и её применения в соответствии с местными законами электрическое оборудование, бывшее в эксплуатации, должно утилизироваться отдельно безопасным для окружающей среды способом.

ОБЩИЕ ПРАВИЛА ТЕХНИКИ БЕЗОПАСНОСТИ

ПРЕДОСТЕРЕЖЕНИЕ:

Прочитайте все инструкции. Несоблюдение всех инструкций, указанных ниже, может привести к поражению электрическим током, пожару и/или серьезной травме. Термин "электроинструмент" во всех предупреждениях, указанных ниже, относится ко всему инструменту, работающему от сети или на аккумуляторах.

СОХРАНИТЕ ДАННЫЕ ИНСТРУКЦИИ

Безопасность в месте выполнения работ

1. **Поддерживайте чистоту и обеспечивайте хорошую освещенность на рабочем месте.** Захламленное и темное рабочее место может привести к травмам.
2. **Не пользуйтесь электроинструментом во взрывоопасной атмосфере, например, в присутствии легко воспламеняющихся жидкостей, газов или пыли.** При работе электроинструмента возникают искры, которые могут привести к воспламенению пыли или газов.
3. **При работе с электроинструментом не допускайте детей или посторонних к месту производства работ.** Не отвлекайтесь во время работы, так как это приведет к потере контроля над электроинструментом.

Электробезопасность

4. **Вилка электроинструмента должна соответствовать сетевой розетке. Никогда не вносите никаких изменений в конструкцию розетки.** При использовании электроинструмента с заземлением не используйте переходники. Розетки и вилки, не подвергавшиеся изменениям, снижают риск поражения электрическим током.
5. **Избегайте контакта участков тела с заземленными поверхностями, такими как трубы, радиаторы, батареи отопления и холодильники.** При контакте тела с заземленными предметами увеличивается риск поражения электрическим током.
6. **Не подвергайте электроинструмент воздействию дождя или влаги.** Попадание воды на электроинструмент повышает риск поражения электрическим током.
7. **Аккуратно обращайтесь со шнуром питания. Никогда не используйте шнур питания для переноски, перемещения или извлечения вилки из розетки. Располагайте шнур на расстоянии от источников тепла, масла, острых краев и движущихся деталей.** Поврежденные или запутанные сетевые шнуры увеличивают риск поражения электрическим током.
8. **При использовании электроинструмента вне помещения, используйте удлинитель, подходящий для этих целей.** Использование соответствующего шнура снижает риск поражения электрическим током.

Личная безопасность

9. **При использовании электроинструмента будьте бдительны, следите за тем, что вы делаете, и руководствуйтесь здравым смыслом. Не пользуйтесь электроинструментом, если вы устали, находитесь под воздействием наркотиков, алкоголя или лекарственных препаратов.** Даже мгновенная невнимательность при использовании электроинструмента может привести к серьезной травме.
 10. **Используйте средства индивидуальной защиты. Всегда надевайте защитные очки.** Средства индивидуальной защиты, такие как маска от пыли, защитная нескользящая обувь, каска или наушники, используемые в соответствующих условиях, позволят снизить риск получения травмы.
 11. **Избегайте случайного запуска. Перед включением вилки в розетку убедитесь, что выключатель инструмента выключен.** Переноска электроинструмента с пальцем на выключателе или включение вилки в розетку с включенным выключателем инструмента может привести к несчастному случаю.
 12. **Перед включением электроинструмента снимите с него все регулировочные инструменты и гаечные ключи.** Гаечный или регулировочный ключ, оставшийся закрепленным на вращающейся детали, может привести к травме.
 13. **При эксплуатации устройства не тянитесь. Всегда сохраняйте устойчивое положение и равновесие.** Это позволит лучше управлять электроинструментом в непредвиденных ситуациях.
 14. **Одевайтесь соответствующим образом. Не надевайте свободную одежду или украшения.** Ваши волосы, одежда и перчатки должны всегда находиться на расстоянии от вращающихся деталей. Свободная одежда, украшения или длинные волосы могут попасть в движущиеся детали устройства.
 15. **Если электроинструмент оборудован системой удаления пыли, убедитесь, что она подключена к общей системе пылеудаления.** Использование таких систем позволяет избежать вредного влияния пыли.
- ### Использование электроинструмента и уход за ним
16. **Не прилагайте излишних усилий к электроинструменту. Используйте инструмент, соответствующий выполняемой вами работе.** Правильно подобранный электроинструмент позволит выполнить работу лучше и безопаснее с производительностью, на которую он рассчитан.
 17. **Не пользуйтесь электроинструментом с неисправным выключателем.** Любой электроинструмент с неисправным выключателем опасен и должен быть отремонтирован.
 18. **Перед выполнением регулировок, сменой принадлежностей или хранением электроинструмента всегда отключайте его от источника питания и/или от аккумулятора.** Такие превентивные меры предосторожности снижают риск случайного включения электроинструмента.

19. Храните электроинструменты в местах, недоступных для детей, и не позволяйте лицам, не знакомым с работой такого инструмента или не прочитавшим данные инструкции, пользоваться им. Электроинструмент опасен в руках неопытных пользователей.
20. Содержите инструмент в порядке. Убедитесь в соосности, отсутствии деформаций движущихся узлов, поломок каких либо деталей или других дефектов, которые могут повлиять на работу электроинструмента. Если инструмент поврежден, отремонтируйте его перед использованием. Большое число несчастных случаев происходит из за плохого содержания электроинструмента.
21. Режьте инструмент всегда должен быть острым и чистым. Соответствующее обращение с режущим инструментом, имеющим острые режущие кромки, делает его менее подверженным деформациям, что позволяет лучше управлять им.
22. Используйте электроинструмент, принадлежности и насадки в соответствии с данными инструкциями и в целях, для которых он предназначен, учитывая при этом условия и вид выполняемой работы. Использование электроинструмента для действий, отличающихся от тех, для которых он предназначен, может привести к созданию опасной ситуации.

Использование электроинструмента, работающего на аккумуляторах, и уход за ним

23. Перед установкой аккумуляторного блока убедитесь, что выключатель находится в выключенном положении. Установка аккумуляторного блока в инструмент с включенным выключателем может привести к несчастному случаю.
24. Заряжайте аккумулятор только зарядным устройством, указанным изготовителем. Зарядное устройство, подходящее для одного типа аккумуляторов, может привести к пожару при его использовании с другим аккумуляторным блоком.
25. Используйте электроинструмент только с указанными аккумуляторными блоками. Использование других аккумуляторных блоков может привести к травме или пожару.
26. Когда аккумуляторный блок не используется, храните ее отдельно от металлических предметов, таких как скрепки, монеты, ключи, гвозди, шурупы или другие небольшие металлические предметы, которые могут привести к закорачиванию контактов аккумуляторного блока между собой. Закорачивание контактов аккумуляторного блока может привести к ожогу или пожару.
27. При неправильном обращении из аккумуляторного блока может потечь жидкость. Избегайте контакта с ней. В случае контакта с кожей промойте место контакта обильным количеством воды. В случае попадания в глаза, обратитесь к врачу. Жидкость из аккумуляторного блока может вызвать раздражение или ожоги.

Обслуживание

28. Обслуживание электроинструмента должно проводиться только квалифицированным специалистом по ремонту и только с использованием идентичных запасных частей. Это позволит обеспечить безопасность электроинструмента.
29. Следуйте инструкциям по смазке и замене принадлежностей.
30. Ручки инструмента всегда должны быть сухими и чистыми и не должны быть измазаны маслом или смазкой.

СПЕЦИФИЧЕСКИЕ ПРАВИЛА ТЕХНИКИ БЕЗОПАСНОСТИ

НЕ ДОПУСКАЙТЕ, чтобы удобство или опыт эксплуатации данного устройства (полученный от многократного использования) доминировали над строгим соблюдением правил техники безопасности. Нарушение техники безопасности или неправильное использование данного электроинструмента могут привести к серьезным травмам.

1. Всегда используйте средства защиты слуха при работе с ударными перфораторами. Воздействие сильного шума может привести к потере слуха.
2. Используйте дополнительные ручки, прилагаемые к инструменту. Утрата контроля над инструментом может привести к травме.
3. Если при выполнении работ существует риск контакта режущего инструмента со скрытой электропроводкой или собственным шнуром питания, держите электроинструменты за специально предназначенные изолированные поверхности. Контакт с проводом под напряжением приведет к тому, что металлические детали инструмента также будут под напряжением, что приведет к поражению оператора электрическим током.
4. При выполнении работ всегда занимайте устойчивое положение. При использовании инструмента на высоте убедитесь в отсутствии людей внизу.
5. Держите инструмент обеими руками.
6. Руки должны находиться на расстоянии от вращающихся деталей.
7. Не оставляйте работающий инструмент без присмотра. Включайте инструмент только тогда, когда он находится в руках.
8. Сразу после окончания работ не прикасайтесь к бите или детали. Они могут быть очень горячими, что приведет к ожогу кожи.
9. Некоторые материалы могут содержать токсичные химические вещества. Примите соответствующие меры предосторожности, чтобы избежать вдыхания или контакта с кожей таких веществ. Соблюдайте требования, указанные в паспорте безопасности материала.

СОХРАНИТЕ ДАННЫЕ ИНСТРУКЦИИ

ПРЕДОСТЕРЕЖЕНИЕ:

НЕПРАВИЛЬНОЕ ИСПОЛЬЗОВАНИЕ инструмента или несоблюдение правил техники безопасности,

указанных в данном руководстве, могут привести к тяжелой травме.

ВАЖНЫЕ ИНСТРУКЦИИ ПО ТЕХНИКЕ БЕЗОПАСНОСТИ ОТНОСИТЕЛЬНО АККУМУЛЯТОРНОГО БЛОКА

1. Перед использованием аккумуляторного блока прочитайте все инструкции и предупреждающие надписи на (1) зарядном устройстве, (2) аккумуляторном блоке и (3) инструменте, работающем от аккумуляторного блока.
2. Не разбирайте аккумуляторный блок.
3. Если время работы аккумуляторного блока значительно сократилось, немедленно прекратите работу. В противном случае, может возникнуть перегрев блока, что приведет к ожогам и даже к взрыву.
4. В случае попадания электролита в глаза, промойте их обильным количеством чистой воды и немедленно обратитесь к врачу. Это может привести к потере зрения.
5. Не замыкайте контакты аккумуляторного блока между собой:
 - (1) Не прикасайтесь к контактам какими либо токопроводящими предметами.
 - (2) Избегайте хранить аккумуляторный блок в контейнере вместе с другими металлическими предметами, такими как гвозди, монеты и т. п.
 - (3) Не допускайте попадания на аккумуляторный блок воды или дождя. Замыкание контактов аккумуляторного блока между собой может привести к возникновению большого тока, перегреву, возможным ожогам и даже разрыву блока.
6. Не храните инструмент и аккумуляторный блок в местах, где температура может достигать или превышать 50°C (122°F).
7. Не бросайте аккумуляторный блок в огонь, даже если он сильно поврежден или полностью вышел из строя. Аккумуляторный блок может взорваться под действием огня.
8. Не роняйте и не ударяйте аккумуляторный блок.

СОХРАНИТЕ ДАННЫЕ ИНСТРУКЦИИ

Советы по обеспечению максимального срока службы аккумуляторного блока

1. Заряжайте аккумуляторный блок до того, как он полностью разрядится. В случае потери мощности при эксплуатации инструмента, прекратите работу и зарядите аккумуляторный блок.
2. Никогда не заряжайте полностью заряженный аккумуляторный блок. Перезарядка сокращает срок службы блока.
3. Заряжайте аккумуляторный блок при комнатной температуре в пределах от 10°C до 40°C (от 50°F до 104°F). Перед зарядкой дайте горячему аккумуляторному блоку остыть.

ОПИСАНИЕ ФУНКЦИЙ

ПРЕДУПРЕЖДЕНИЕ:

- Перед регулировкой или проверкой функций инструмента обязательно убедитесь, что он выключен и аккумуляторный блок снят с инструмента.

Установка или снятие

аккумуляторного блока (Рис. 1)

- Перед установкой или снятием аккумуляторного блока всего выключайте инструмент.
- Для снятия аккумуляторного блока сдвиньте клавишу на боковой стороне блока и снимите блок с инструмента.
- Для установки аккумуляторного блока совместите выступ блока с пазом в корпусе и задвиньте его на место. Всегда устанавливайте блок до упора так, чтобы он зафиксировался на месте с небольшим щелчком. Если вы можете видеть красную часть верхней части клавиши, аккумуляторный блок не полностью установлен на месте. Установите его до конца так, чтобы красная часть была не видна. В противном случае, аккумуляторный блок может выпаст из инструмента и привести к вашей травме или травме окружающих.
- Не прилагайте усилий при установке аккумуляторного блока. Если блок не двигается свободно, это свидетельствует о его неправильной установке.

Включение (Рис. 2)

ПРЕДУПРЕЖДЕНИЕ:

- Перед установкой аккумуляторного блока в инструмент обязательно убедитесь, что его курковый выключатель нормально работает и возвращается в положение "OFF" (ВЫКЛ) при отпускании.

Для включения инструмента достаточно просто нажать на курковый выключатель. При усилении нажима на курковый выключатель скорость инструмента возрастает. Для выключения инструмента отпустите курковый выключатель.

Включение лампы освещения (Рис. 3)

ПРЕДУПРЕЖДЕНИЕ:

- Не смотрите на источник освещения и не допускайте прямого попадания света в глаза.

Нажмите на курковый выключатель для включения лампы. Лампа будет светиться до тех пор, пока выключатель будет оставаться в нажатом положении. Лампа гаснет через 10–15 секунд после отпускания выключателя.

ПРИМЕЧАНИЕ:

- Для удаления пыли с линзы лампы используйте сухую ткань. Не допускайте возникновения царапин на линзе лампы, так как это приведет к снижению освещенности.

Переключение направления вращения (Рис. 4)

Этот инструмент оборудован переключателем направления вращения. Нажмите на рычажной переключатель со стороны "А" для вращения по часовой стрелке, или со стороны "В" для вращения против часовой стрелки.

Когда переключатель направления вращения находится в нейтральном положении, курковый выключатель не может быть нажат.

ПРЕДУПРЕЖДЕНИЕ:

- Перед началом работ всегда проверяйте направление вращения.
- Используйте переключатель направления вращения только после полной остановки инструмента. Изменение направления вращения перед остановкой инструмента может привести к его поломке.
- Если инструмент не используется, установите переключатель направления вращения в нейтральное положение.

Изменение скорости (Рис. 5)

Данный инструмент имеет трехскоростной переключатель скорости. Для изменения скорости сначала выключите инструмент и затем сдвиньте рычаг изменения скорости в положение "1" для маленькой скорости вращения, "2" для средней скорости вращения и "3" для большой скорости. Перед началом работ убедитесь в правильном положении рычага переключения скорости. При выполнении работ выбирайте правильную скорость.

ПРИМЕЧАНИЕ:


- При изменении положения с "1" на "3" или с "3" на "1", рычаг изменения скорости может перемещаться с небольшим усилием. В этом случае, включите и дайте инструменту поработать в течение секунды в положении "2", остановите инструмент и затем сдвиньте переключатель в желаемое положение.


ПРЕДУПРЕЖДЕНИЕ:

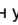
- Всегда устанавливайте рычаг изменения скорости в правильное положение до конца. Если вы будете пользоваться инструментом при рычаге переключения скорости, установленном между положением "1" и "2" или "3", это может привести к поломке инструмента.
- Не пользуйтесь рычагом изменения скорости во время работы инструмента. Это может привести к поломке инструмента.

Выбор режима работы (Рис. 6)

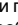

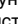
В данном инструменте используется рычаг переключения режима работы. Используя данный рычаг, выберите один из трех необходимых вам режимов работы.

Только для сверления проскальзывание муфты сдвиньте рычаг так, чтобы он указывал на метку  на корпусе инструмента.

Для сверления с перфорацией сдвиньте рычаг так, чтобы он указывал на метку  на корпусе инструмента.

Для вращения с проскальзыванием муфты сдвиньте рычаг так, чтобы он указывал на метку  на корпусе инструмента.

ПРИМЕЧАНИЕ:

- При изменении положения переключателя с " на " могут потребоваться небольшие усилия. В этом случае, включите и дайте инструменту поработать в течение секунды в положении "", затем остановите инструмент и сдвиньте переключатель в желаемое положение.

ПРЕДУПРЕЖДЕНИЕ:

- Всегда устанавливайте рычаг в соответствии с меткой необходимого вам режима работы. Если вы будете пользоваться инструментом при положении рычага между метками режима, это может привести к поломке инструмента.

Регулирование усилия затяжки (Рис. 7)

Усилие затяжки может быть отрегулировано на одно из 16 положений путем поворота регулировочного кольца так, чтобы одна из его градуировок совпала со стрелкой на корпусе инструмента. Минимальное усилие затяжки будет при совмещении со стрелкой цифры 1, максимальное усилие будет при совмещении со стрелкой цифры 16.

Перед выполнением работы сначала закрутите пробный шуруп в материал или в деталь из подобного материала для определения усилия затяжки, соответствующего выполняемой работе.

СБОРКА

ПРЕДУПРЕЖДЕНИЕ:

- Перед выполнением каких либо работ на инструменте обязательно убедитесь, что он выключен и аккумуляторный блок снят с инструмента.

Установка боковой (дополнительной) ручки (Рис. 8)

Для обеспечения безопасности во время работ всегда используйте боковую ручку.

Установите боковую ручку так, чтобы выступы на основании ручки вошли в пазы на цилиндрической части инструмента. Затем затяните ручку, вращая ее по часовой стрелке.

Установка и снятие биты отвертки или сверла (Рис. 9)

Поверните патрон против часовой стрелки для открытия щечек патрона. Вставьте биту в зажимной патрон до упора. Поверните патрон по часовой стрелке для затягивания патрона.

Для снятия биты, поверните патрон против часовой стрелки.

Установка держателя бит (Рис. 10)

Установите держатель бит в отверстие в основании инструмента с правой или левой стороны и закрепите его при помощи винта.

Если бита отвертки не используется, храните ее в держателе бит. Здесь могут храниться биты длиной до 45 мм.

Регулировка глубиномера (Рис. 11)

Этот регулируемый глубиномер используется для сверления отверстий одинаковой глубины. Ослабьте зажимной винт, установите желаемое положение, затем затяните зажимной винт.

Крючок (Рис. 12)

Крючок используется для временного подвешивания инструмента. Он может быть установлен с любой стороны инструмента.

Для установки крючка, вставьте его в паз в корпусе инструмента с одной из сторон и закрепите его при

помощи винта. Для снятия крючка, отверните винт и снимите крючок.

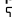
избежать раскалывания деревянной детали. См. таблицу.

ЭКСПЛУАТАЦИЯ

Сверление с ударным действием

ПРЕДУПРЕЖДЕНИЕ:

- В момент когда инструмент/бита начинают выходить из материала при завершении отверстия или когда отверстие забивается стружкой или частицами, а также при попадании на прутки арматуры при сверлении бетона, возникает огромное мгновенное усилие на инструмент/биту. Всегда используйте боковую ручку (дополнительную) и во время работы крепко держите инструмент за боковую ручку и ручку с выключателем. Несоблюдение этой рекомендации может привести к потере контроля над инструментом и возможной серьезной травме.

Сначала сдвиньте переключатель режима работы так, чтобы он показывал на метку . Для этой операции регулировочное кольцо установки усилия затяжки может быть установлено на любое значение усилия.

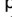
Используйте сверло с наконечником из карбида вольфрама. Установите сверло в месте желаемого отверстия и нажмите на курковый выключатель. Не прилагайте излишних усилий к электроинструменту. Небольшое усилие на инструмент приводит к лучшим результатам. Удерживайте инструмент на месте и не допускайте его соскальзывания с места выполнения отверстия.

При забивании отверстия стружкой или частицами не увеличивайте давления на инструмент. Вместо этого дайте инструменту поработать вхолостую и затем частично вытащите сверло из отверстия. Повторите это действие несколько раз для очистки отверстия от стружки и затем продолжите нормальное сверление.

Груша для выдувки (дополнительная принадлежность) (Рис. 13)

После просверливания отверстия используйте грушу для удаления пыли и стружки из отверстия.

Использование в качестве шуруповерта (Рис. 14)

Сначала сдвиньте переключатель режима работы так, чтобы он показывал на метку . Установите регулировочное кольцо на усилие затяжки, соответствующее выполняемой работе. Затем действуйте следующим образом.

Установите конец биты отвертки в головку шурупа и придавите инструмент к шурупу. Включите инструмент на медленной скорости и затем постепенно увеличивайте ее. Отпустите курковый выключатель, как только муфта начнет проскальзывать.

ПРИМЕЧАНИЕ:

- Убедитесь, что бита отвертки прямо вставлена в головку шурупа. В противном случае шуруп и/или бита могут быть повреждены.
- При закручивании шурупов в дерево, предварительно сделайте в нем базовые отверстия, чтобы облегчить их закручивание и


Номинальный диаметр шурупа (мм)	Рекомендуемый размер базового отверстия (мм)
3,1	2,0 – 2,2
3,5	2,2 – 2,5
3,8	2,5 – 2,8
4,5	2,9 – 3,2
4,8	3,1 – 3,4
5,1	3,3 – 3,6
5,5	3,7 – 3,9
5,8	4,0 – 4,2
6,1	4,2 – 4,4

- Если инструмент использовался непрерывно до полного разряда аккумуляторного блока, выключите его, подождите 15 минут и только затем устанавливайте новый аккумуляторный блок.

Сверление

ПРЕДУПРЕЖДЕНИЕ:

- Излишнее давление на инструмент не ускоряет процесса сверления. В действительности, излишнее давление на инструмент приведет только к повреждению конца сверла, снизит производительность инструмента и срок его службы.
- В момент выхода сверла из высверливаемой детали возникает огромное усилие на инструмент/сверло. Крепко держите инструмент во время начала выхода сверла из высверливаемой детали.
- Заклинившее сверло может быть просто извлечено из обрабатываемой детали путем изменения направления вращения при помощи переключателя. Однако если вы не будете крепко держать инструмент, он может резко сдвинуться назад.
- Всегда закрепляйте небольшие детали в тисках или других фиксирующих приспособлениях.
- Если инструмент использовался непрерывно до полного разряда аккумуляторного блока, выключите его, подождите 15 минут и только затем устанавливайте новый аккумуляторный блок.

Сначала сдвиньте переключатель режима работы так, чтобы он показывал на метку .

Для этой операции регулировочное кольцо установки усилия затяжки может быть установлено на любое значение усилия. Затем действуйте следующим образом.

Сверление древесины

При сверлении древесины наилучшие результаты достигаются с применением сверл для дерева с направляющим винтом. Направляющий винт облегчает сверление, затягивая сверло в обрабатываемую деталь.

Сверление металла

Во избежание соскальзывания сверла при начале сверления в месте сверления сделайте насечку на детали при помощи кернера и молотка. Установите конец сверла в полученную насечку и начните сверление.

При сверлении металла используйте специальную смазку. Исключение составляют железо и латунь, которые могут сверлиться всухую.

ОБСЛУЖИВАНИЕ

ПРЕДУПРЕЖДЕНИЕ:

- Перед выполнением какого либо осмотра или обслуживания инструмента убедитесь, что устройство выключено и его аккумуляторный блок снят.

Замена угольных щеток

Замените их, когда износ достигнет ограничительной метки. Угольные щетки всегда должны быть чистыми и свободно перемещаться в держателях. Обе угольные щетки должны заменяться одновременно. Используйте только идентичные угольные щетки. (Рис. 15)

Используйте отвертку для отворачивания двух винтов, затем снимите заднюю крышку. (Рис. 16)

Поднимите часть пружины с ручкой и затем поместите ее в углубленную часть корпуса при помощи тонкой отвертки с плоским жалом или другого подходящего инструмента. (Рис. 17)

Используйте плоскогубцы для снятия колпачков с угольных щеток. Извлеките изношенные угольные щетки, установите новые и установите на место колпачки держателей щеток. (Рис. 18)

Убедитесь, что колпачки угольных щеток плотно вошли в отверстия держателей щеток. (Рис. 19)

Установите на место заднюю крышку и надежно заверните два винта.

Для обеспечения БЕЗОПАСНОСТИ и НАДЕЖНОСТИ инструмента выполняйте его ремонт, обслуживание или регулировку только в авторизованных сервисных центрах компании Makita и с использованием только оригинальных запасных частей компании Makita.

ПРИНАДЛЕЖНОСТИ

ПРЕДУПРЕЖДЕНИЕ:

- Данные принадлежности или приспособления рекомендуются для использования с инструментом Makita, указанным в данном руководстве. Использование других принадлежностей или приспособлений может привести к риску получения травмы. Используйте принадлежности или приспособления только для тех целей, для которых они предназначены.

Если вам необходима помощь в получении дополнительной информации об этих принадлежностях, обратитесь в местный сервисный центр компании Makita.

- Сверла
- Сверла для перфоратора
- Биты для шурупов
- Груша для выдувки
- Защитный щиток для лица
- Различные типы оригинальных аккумуляторных блоков и зарядных устройств компании Makita
- Дополнительная ручка в сборе
- Глубиномер
- Крючок
- Резиновая прокладка
- Шерстяной чехол
- Накладка для полировки

Для модели ВНР441

Только для европейских стран

Уровень шума и вибрации

Типичный уровень взвешенного звукового давления (А) составляет
уровень звукового давления: 86 дБ (А)
уровень звуковой мощности: 97 дБ (А)
Отклонения: 3 дБ

Используйте средства защиты слуха.
Типичное взвешенное среднеквадратичное значение приводится для ускорения 6 м/сек².

Эти значения были получены в соответствии с EN60745.

Для модели ВНР451

Только для европейских стран

Уровень шума и вибрации

Типичный уровень взвешенного звукового давления (А) составляет
уровень звукового давления: 87 дБ (А)
уровень звуковой мощности: 98 дБ (А)
Отклонения: 3 дБ

– Используйте средства защиты слуха. –
Типичное взвешенное среднеквадратичное значение приводится для ускорения 6 м/сек².

Эти значения были получены в соответствии с EN60745.

ДЕКЛАРАЦИЯ О СООТВЕТСТВИИ ЕС

Под нашу собственную ответственность мы заявляем, что данное изделие соответствует следующим стандартам EN60745, EN55014 в соответствии с Директивами Совета 89/336/EEC, 98/37/EC.

Yasuhiko Kanzaki (Ясухико Канзаки) CE 2005



Директор

MAKITA INTERNATIONAL EUROPE LTD.

Michigan Drive, Tongwell, Milton Keynes, Bucks MK15 8JD, ENGLAND

Ответственный изготовитель:
Makita Corporation Anjo Aichi Japan

Makita Corporation
Anjo, Aichi, Japan

884640A202