

# HITACHI

Disc Grinder

Winkelschleifer

Γωνιακός τροχός λειάνσεως / κοπή

Szlifierka kątowa

Sarokcsiszoló

Úhlová bruska

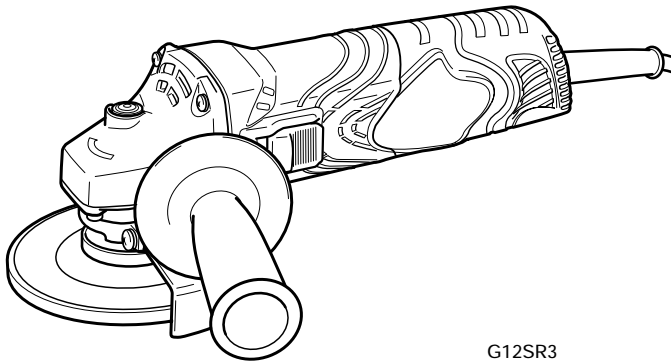
Taşlama

Polizor unghiular

Kotni brusilnik

Угловая шлифовальная машина

G 10SR3 · G 12SR3 · G 13SR3



G12SR3

Read through carefully and understand these instructions before use.

Diese Anleitung vor Benutzung des Werkzeugs sorgfältig durchlesen und verstehen.

Διαβάστε προσεκτικά και κατανοήσετε αυτές τις οδηγίες πριν τη χρήση.

Przed użytkowaniem należy dokładnie przeczytać niniejszą instrukcję i zrozumieć jej treść.

Használat előtt olvassa el figyelmesen a használati utasítást.

Před použitím si pečlivě přečtěte tento návod a ujistěte se, že mu dobře rozumíte.

Aleti kullanmadan önce bu kılavuzu iyice okuyun ve talimatları anlayın.

Înainte de utilizare, citiți cu atenție și înțelegeți prezentele instrucțiuni.

Pred uporabo natančno preberite in razumite ta navodila.

Внимательно прочтите данную инструкцию по эксплуатации прежде чем пользоваться инструментом.



Handling instructions

Bedienungsanleitung

Οδηγίες χειρισμού

Instrukcja obsługi

Kezelési utasítás

Návod k obsluze

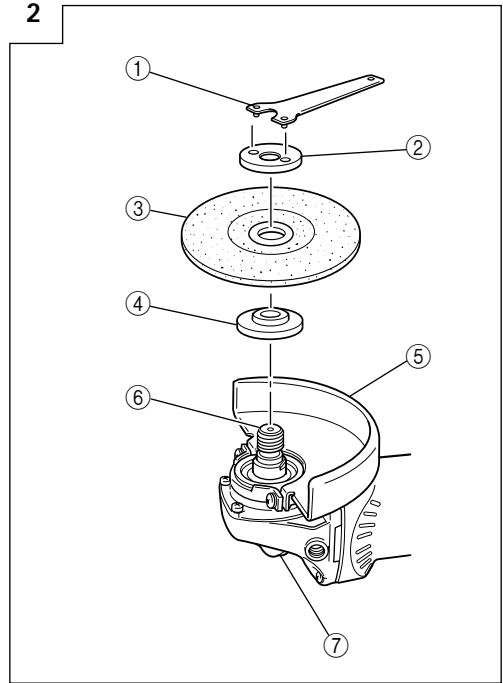
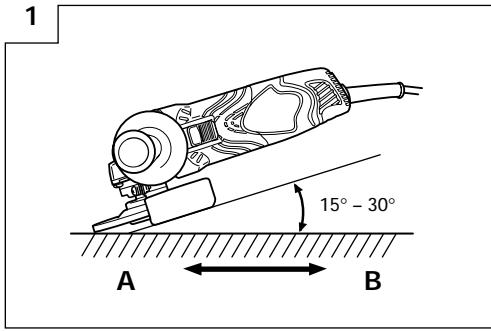
Kullanım talimatları

Instrucțiuni de utilizare

Navodila za rokovanje

Инструкция по эксплуатации

**Hitachi Koki**



|   | English                | Deutsch                       | Ελληνικά                    | Polski                   | Magyar                     |
|---|------------------------|-------------------------------|-----------------------------|--------------------------|----------------------------|
| ① | Wrench                 | Schlüssel                     | Κλειδί                      | Klucz                    | Csavarkulcs                |
| ② | Wheel nut              | Mutter für die Schleifscheibe | Παξιμάδι τροχού             | Nakrętka tarczy          | Tárcsarögzítő anya         |
| ③ | Depressed center wheel | Schleifscheibe                | Χαμηλωμένος κεντρικά τροχός | Obniżona tarcza środkowa | Süllyesztett közepű tárcsa |
| ④ | Wheel washer           | Unterlegscheibe               | Ροδέλλα τροχού              | Podkładka tarczy         | Tárcsa alátét              |
| ⑤ | Wheel guard            | Schutzhaube                   | Προφυλακτήρας τροχού        | Osłona tarczy            | Tárcsavédő                 |
| ⑥ | Spindle                | Spindel                       | Άξονας                      | Wrzeciono                | Tengely                    |
| ⑦ | Push button            | Druckknopf                    | Κουμπι ώθησης               | Przycisk                 | Nyomógomb                  |

|   | Čeština          | Türkçe                          | Română                  | Slovenščina               | Русский                                      |
|---|------------------|---------------------------------|-------------------------|---------------------------|--|
| ① | Klíč             | Anahtar                         | Cheie                   | Ključ                     | Гаечный ключ                                 |
| ② | Matka kotouče    | Disk somunu                     | Piuliță pentru disc     | Pesto kolesa              | Гайка шлифовального круга                    |
| ③ | Brusný kotouč    | Tek tarafı oyuk taşlama diskisi | Disc cu centru depresat | Pritisnjeno osrednje kolo | Шлифовальный круг с утопленным центромтárcsa |
| ④ | Podložka kotouče | Disk pulu                       | Șaibă pentru disc       | Blažilec kolesa           | Шайба шлифовального круга                    |
| ⑤ | Kryt kotouče     | Disk muhafazası                 | Apărătoare pentru disc  | Varovalo kolesa           | Защитное приспособление шлифовального круга  |
| ⑥ | Hřídel           | Mill                            | Ax                      | Gred                      | Шпиндель                                     |
| ⑦ | Tlačítko         | Kilit iğnesi                    | Buton                   | Tipka                     | Нажимная кнопка                              |

|  | <b>Symbols</b><br>The following show symbols used for the machine. Be sure that you understand their meaning before use.  | <b>Symbole</b><br>Die folgenden Symbole werden für diese Maschine verwendet. Achten Sie darauf, diese vor der Verwendung zu verstehen.   | <b>Σύμβολα</b><br>Τα παρακάτω δείχνουν τα σύμβολα που χρησιμοποιούνται στο μηχάνημα. Βεβαιωθείτε ότι κατανοείτε τη σημασία τους πριν τη χρήση.  | <b>Symbole</b><br>Następujące oznaczenia to symbole używane w instrukcji obsługi maszyny. Upewnij się, że rozumiesz ich znaczenie zanim użyjesz narzędzia.   | <b>Jelölések</b><br>Az alábbiakban a géphez alkalmazott jelölések vannak felsorolva. A gép használatá előt feltétlenül ismerje meg ezeket a jelöléseket.   |
|--|---|--|---|--|--|
|    | Read instruction manual.  | Bedienungsanleitung lesen.   | Διαβάστε το εγχειρίδιο οδηγιών.   | Przeczytaj instrukcje.   | Olvassa el a Használati utasítást.   |
|    | Wear safety glasses.  | Eine Schutzbrille tragen.  | Φοράτε γυαλιά ασφαλείας.  | Założ okulary ochronne.  | Viseljen védőszemüveget.   |
|    | Only for EU countries<br>Do not dispose of electric tools together with household waste material! In observance of European Directive 2002/96/EC on waste electrical and electronic equipment and its implementation in accordance with national law, electric tools that have reached the end of their life must be collected separately and returned to an environmentally compatible recycling facility. | Nur für EU-Länder<br>Werfen Sie Elektrowerkzeuge nicht in den Hausmüll! Gemäss Europäischer Richtlinie 2002/96/EG über Elektro- und Elektronik- Altgeräte und Umsetzung in nationales Recht in nationales Recht müssen verbrauchte Elektrowerkzeuge getrennt gesammelt und einer umweltgerechten Wiederverwertung zugeführt werden.                                      | Μόνο για τις χώρες της ΕΕ<br>Μην πετάτε τα ηλεκτρικά εργαλεία στον κάδο οικιακών απορριμμάτων! Σύμφωνα με την ευρωπαϊκή οδηγία 2002/96/ΕΚ περί ηλεκτρικών και ηλεκτρονικών σκευών και την ενσωμάτωσή της στο εθνικό δίκαιο, τα ηλεκτρικά εργαλεία πρέπει να συλλέγονται ξεχωριστά και να επιστρέφονται για ανακύκλωση με τρόπο φιλικό προς το περιβάλλον.   | Dotyczy tylko państw UE<br>Nie wyrzucaj elektronarzędzi wraz z odpadami z gospodarstwa domowego!<br>Zgodnie z Europejską Dyrektywą 2002/96/WE w sprawie zużytego sprzętu elektrotechnicznego i elektronicznego oraz dostosowaniem jej do prawa krajowego, zużyte elektronarzędzia należy posegregować i zutylizować w sposób przyjazny dla środowiska.     | Csak EU-országok számára<br>Az elektromos kéziszerszámokat ne dobja a háztartási szeméttel!<br>A használt villamos és elektronikai készülékekről szóló 2002/96/EK irányelv és annak a nemzeti jogba való átültetése szerint az elhasznált elektromos kéziszerszámokat külön kell gyűjteni, és környezetbarát módon újra kell hasznosítani.           |
|  | <b>Symbody</b><br>Následující text obsahuje symboly, které jsou použity na zařízení. Ujistěte se, že rozumíte jejich obsahu před tím, než začnete zařízení používat.  | <b>Simgeler</b><br>Aşağıda, bu alet için kullanılan simgeler gösterilmektedir. Aleti kullanmadan önce bu simgelerin ne anlama geldiğini anlamadığınızdan emin olun.  | <b>Simboluri</b><br>În cele ce urmează sunt prezentate simbolurile folosite pentru maşină. Înainte de utilizare, asiguraţi-vă că înţelegeţi semnificaţia acestora.  | <b>Simboli</b><br>V nadaljevanju so prikazani simboli, uporabljeni pri stroju. Pred uporabo se prepričajte, da jih razumete.   | <b>Символы</b><br>Ниже приведены символы, используемые для машины. Перед началом работы обязательно убедитесь в том, что Вы понимаете их значение.   |
|    | Přečtěte si návod.  | Kullanım kılavuzunu okuyun.  | Citiți manualul de instrucțiuni.  | Preberite navodila za uporabo.   | Прочтите руководство по эксплуатации.  |
|   | Používejte ochranné brýle.  | Koruyucu gözlük kullanın.  | Purtați ochelari de protecție.  | Uporabljajte zaščitna očala.   | Наденьте защитные очки.  |
|  | Jen pro státy EU<br>Elektrické nářadí nevyhazujte do komunálního odpadu! Podle evropské směrnice 2002/96/EG o nakládání s použitými elektrickými a elektronickými zařízeními a odpovídajících ustanovení právních předpisů jednotlivých zemí se použítá elektrická nářadí musí sbírat odděleně od ostatního odpadu a podrobit ekologicky šetrnému recyklování.  | Sadece AB ülkeleri için Elektrikli el aletlerini evdeki çöp kutusuna atmayın!<br>Kullanılmış elektrikli aletleri, elektrik ve elektronik eski cihazlar hakkındaki 2002/96/EC Avrupa yönetmelere göre ve bu yönetmelere ulusal hukuk kurallarına göre uyarlanarak, ayrı olarak toplanmalı ve çevre şartlarına uygun bir şekilde tekrar değerlendirilmeye gönderilmelidir. | Numai pentru țările membre UE<br>Nu aruncați această sculă electrică împreună cu deșeurile menajere!<br>În conformitate cu Directiva Europeană 2002/96/CE referitoare la deșeurile reprezentând echipamente electrice și electronice și la implementarea acesteia în conformitate cu legislațiile naționale, sculele electrice care au ajuns la finalul duratei de folosire trebuie colectate separat și duse la o unitate de reciclare compatibilă cu mediul înconjurător. | Samo za države EU<br>Električnih orodij ne zavrzite skupaj z gospodinjstskimi odpadki!<br>V skladu z evropsko direktivo 2002/96/EC o odpadni električni in elektronski opremi in izvedbi v skladu z državnimi zakoni, je treba električna orodja, ki so dosegla življenjsko dobo ločeno zbirati in vrniti v z okoljem združljivo ustanovo za recikliranje. | Только для стран ЕС<br>Не выкидывайте электроприборы вместе с обычным мусором!<br>В соответствии с европейской директивой 2002/96/EG об утилизации старых электрических и электронных приборов и в соответствии с местными законами электроприборы, бывшие в эксплуатации, должны утилизироваться отдельно безопасным для окружающей среды способом. |

---

## GENERAL SAFETY RULES

---

**WARNING!****Read all instructions**

*Failure to follow all instructions listed below may result in electric shock, fire and/or serious injury.*

*The term "power tool" in all of the warnings listed below refers to your mains operated (corded) power tool or battery operated (cordless) power tool.*

**SAVE THESE INSTRUCTIONS****1) Work area**

- a) **Keep work area clean and well lit.**  
*Cluttered and dark areas invite accidents.*
- b) **Do not operate power tools in explosive atmospheres, such as in the presence of flammable liquids, gases or dust.**  
*Power tools create sparks which may ignite the dust of fumes.*
- c) **Keep children and bystanders away while operating a power tool.**  
*Distractions can cause you to lose control.*

**2) Electrical safety**

- a) **Power tool plugs must match the outlet.**  
**Never modify the plug in any way.**  
**Do not use any adapter plugs with earthed (grounded) power tools.**  
*Unmodified plugs and matching outlets will reduce risk of electric shock.*
- b) **Avoid body contact with earthed or grounded surfaces such as pipes, radiators, ranges and refrigerators.**  
*There is an increased risk of electric shock if your body is earthed or grounded.*
- c) **Do not expose power tools to rain or wet conditions.**  
*Water entering a power tool will increase the risk of electric shock.*
- d) **Do not abuse the cord. Never use the cord for carrying, pulling or unplugging the power tool. Keep cord away from heat, oil, sharp edges or moving parts.**  
*Damaged or entangled cords increase the risk of electric shock.*
- e) **When operating a power tool outdoors, use an extension cord suitable for outdoor use.**  
*Use of a cord suitable for outdoor use reduces the risk of electric shock.*

**3) Personal safety**

- a) **Stay alert, watch what you are doing and use common sense when operating a power tool. Do not use a power tool while you are tired or under the influence of drugs, alcohol or medication.**  
*A moment of inattention while operating power tools may result in serious personal injury.*
- b) **Use safety equipment. Always wear eye protection.**  
*Safety equipment such as dust mask, non-skid safety shoes, hard hat, or hearing protection used for appropriate conditions will reduce personal injuries.*
- c) **Avoid accidental starting. Ensure the switch is in the off position before plugging in.**  
*Carrying power tools with your finger on the switch or plugging in power tools that have the switch on invites accidents.*
- d) **Remove any adjusting key or wrench before turning the power tool on.**  
*A wrench or a key left attached to a rotating part of the power tool may result in personal injury.*

- e) **Do not overreach. Keep proper footing and balance at all times.**  
*This enables better control of the power tool in unexpected situations.*

- f) **Dress properly. Do not wear loose clothing or jewellery. Keep your hair, clothing and gloves away from moving parts.**  
*Loose clothes, jewellery or long hair can be caught in moving parts.*

- g) **If devices are provided for the connection of dust extraction and collection facilities, ensure these are connected and properly used.**  
*Use of these devices can reduce dust related hazards.*

**4) Power tool use and care**

- a) **Do not force the power tool. Use the correct power tool for your application.**  
*The correct power tool will do the job better and safer at the rate for which it was designed.*
- b) **Do not use the power tool if the switch does not turn it on and off.**  
*Any power tool that cannot be controlled with the switch is dangerous and must be repaired.*
- c) **Disconnect the plug from the power source before making any adjustments, changing accessories, or storing power tools.**  
*Such preventive safety measures reduce the risk of starting the power tool accidentally.*
- d) **Store idle power tools out of the reach of children and do not allow persons unfamiliar with the power tool or these instructions to operate the power tool.**  
*Power tools are dangerous in the hands of untrained users.*
- e) **Maintain power tools. Check for misalignment or binding of moving parts, breakage of parts and any other condition that may affect the power tools operation.**  
**If damaged, have the power tool repaired before use.**  
*Many accidents are caused by poorly maintained power tools.*
- f) **Keep cutting tools sharp and clean.**  
*Properly maintained cutting tools with sharp cutting edges are less likely to bind and are easier to control.*
- g) **Use the power tool, accessories and tool bits etc., in accordance with these instructions and in the manner intended for the particular type of power tool, taking into account the working conditions and the work to be performed.**  
*Use of the power tool for operations different from intended could result in a hazardous situation.*

**5) Service**

- a) **Have your power tool serviced by a qualified repair person using only identical replacement parts.**  
*This will ensure that the safety of the power tool is maintained.*

**PRECAUTION**

**Keep children and infirm persons away.**  
**When not in use, tools should be stored out of reach of children and infirm persons.**

## GENERAL SAFETY INSTRUCTIONS FOR GRINDERS

- Check that speed marked on the wheel is equal to or greater than the rated speed of the grinder;
- Ensure that the wheel dimensions are compatible with the grinder;
- Abrasive wheels shall be stored and handled with care in accordance with manufacturer's instructions;
- Inspect the grinding wheel before use, do not use chipped, cracked or otherwise defective products;
- Ensure that mounted wheels and points are fitted in accordance with the manufacturer's instructions;
- Ensure that blotters are used when they are provided with the bonded abrasive product and when they are required;
- Ensure that the abrasive product is correctly mounted and tightened before use and run the tool at no-load for 30 s in a safe position, stop immediately if there is considerable vibration or if other defects are detected. If this condition occurs, check the machine to determine the cause;
- If a guard is equipped with the tool never use the tool without such a guard;
- Do not use separate reducing bushings or adapters to adapt large hole abrasive wheels;
- For tools intended to be fitted with threaded hole wheel, ensure that the thread in the wheel is long enough to accept the spindle length;
- Check that the work piece is properly supported;
- Do not use cutting off wheel for side grinding;
- Ensure that sparks resulting from use do not create a hazard e.g. do not hit persons, or ignite flammable substances;
- Ensure that ventilation openings are kept clear when working in dusty conditions, if it should become necessary to clear dust, first disconnect the tool from the mains supply (use non metallic objects) and avoid damaging internal parts;
- Always use eye and ear protection. Other personal protective equipment such as dust mask, gloves, helmet and apron should be worn;
- Pay attention to the wheel that continues to rotate after the tool is switched off.

## SPECIFICATIONS

|                         |                                       |             |             |
|-------------------------|---------------------------------------|-------------|-------------|
| Model                   | G10SR3                                | G12SR3      | G13SR3      |
| Voltage (by areas)*     | (110V, 120V, 220V, 230V, 240V) $\cup$ |             |             |
| Power Input*            | 730 W                                 |             |             |
| No-load speed           | 10000 min <sup>-1</sup>               |             |             |
| Wheel                   | Outer dia. x hole dia.                | 100 x 16 mm | 115 x 22 mm |
|                         | Peripheral speed                      | 72 m/s      | 80 m/s      |
| Weight (Only main body) | 1.4 kg                                |             |             |

\*Be sure to check the nameplate on product as it is subject to change by areas.

## STANDARD ACCESSORIES

- (1) Wrench ..... 1  
 (2) Side handle ..... 1  
 Standard accessories are subject to change without notice.

## APPLICATIONS

- Removal of casting fin and finishing of various types of steel, bronze and aluminum materials and castings.
- Grinding of welded sections or sections cut by means of a cutting torch.
- Grinding of synthetic resins, slate, brick, marble, etc.

## PRIOR TO OPERATION

1. **Power source**  
 Ensure that the power source to be utilized conforms to the power requirements specified on the product nameplate.
2. **Power switch**  
 Ensure that the power switch is in the OFF position. If the plug is connected to a receptacle while the power switch is in the ON position, the power tool will start operating immediately, which could cause a serious accident.

### 3. Extension cord

When the work area is removed from the power source, use an extension cord of sufficient thickness and rated capacity. The extension cord should be kept as short as practicable.

### 4. Fitting and adjusting the wheel guard

The wheel guard is a protective device to prevent injury should the depressed center wheel shatter during operation. Ensure that the guard is properly fitted and fastened before commencing grinding operation.

By slightly loosening the setting screw, the wheel guard can be turned and set at any desired angle for maximum operational effectiveness. Ensure that the setting screw is thoroughly tightened after adjusting the wheel guard.

5. Ensure that mounted wheels and points are fitted in accordance with the manufacturer's instructions. Ensure that the depressed center wheel to be utilized is the correct type and free of cracks or surface defects. Also ensure that the depressed center wheel is properly mounted and the wheel nut is securely tightened, Refer to the section on "ASSEMBLING AND DISASSEMBLING THE DEPRESSED CENTER WHEEL"

Ensure that blotters are used when they are provided with the bonded abrasive product and when they are required.

Do not use separate reducing bushings or adaptors to adapt large hole abrasive wheels.

For tools intended to be fitted with threaded hole wheel, ensure that the thread in the wheel is long enough to accept the spindle length.

Do not use cutting off wheel for side grinding.

#### 6. Conducting a trial run

Ensure that the abrasive products is correctly mounted and tightened before use and run the tool at no-load for 30 seconds in a safe position, stop immediately if there is considerable vibration or if other defects are detected.

If this condition occurs, check the machine to determine the cause.

#### 7. Confirm the push button.

Confirm that the push button is disengaged by pushing push button two or three times before switching the power tool on (See Fig. 2).

#### 8. Fixing the side handle

Screw the side handle into the gear cover.

- Always use eye and ear protection. Other personal protective equipment such as dust mask, gloves, helmet and apron should be worn when necessary. If in doubt, wear the protective equipment.
- When the machine is not use, the power source should be disconnected.

---

## ASSEMBLING AND DISASSEMBLING THE DEPRESSED CENTER WHEEL (Fig. 2)

---

**CAUTION** Be sure to switch OFF and disconnect the attachment plug from the receptacle to avoid a serious accident.

### 1. Assembling (Fig. 2)

- (1) Turn the disc grinder upsidedown so that the spindle is facing upward.
- (2) Align the across flats of the wheel washer with the notched part of the spindle, then attach them.
- (3) Fit the protuberance of the depressed center wheel onto the wheel washer.
- (4) Screw the wheel nut onto the spindle.
- (5) While pushing the push button with one hand, lock the spindle by turning the depressed center wheel slowly with the other hand. Tighten the wheel nut by using the supplied wrench as shown in Fig. 2.

### 2. Disassembling

Follow the above procedures in reverse.

### CAUTIONS

- Confirm that the depressed center wheel is mounted firmly.
- Confirm that the push button is disengaged by pushing push button two or three times before switching the power tool on.

---

## PRACTICAL GRINDER APPLICATION

---

### 1. Pressure

To prolong the life of the machine and ensure a first class finish, it is important that the machine should not be overloaded by applying too much pressure. In most applications, the weight of the machine alone is sufficient for effective grinding. Too much pressure will result in reduced rotational speed, inferior surface finish, and overloading which could reduce the life of the machine.

### 2. Grinding angle

Do not apply the entire surface of the depressed center wheel to the material to be ground. As shown in Fig. 1, the machine should be held at an angle of 15° - 30° so that the external edge of the depressed center wheel contacts the material at an optimum angle.

3. To prevent a new depressed center wheel from digging into the workpiece, initial grinding should be performed by drawing the grinder across the workpiece toward the operator (Fig. 1 direction B). Once the leading edge of the depressed center wheel is properly abraded, grinding may be conducted in either direction.

### 4. Precautions immediately after finishing operation

The wheel continues to rotate after the tool is switched off.

After switching off the machine, do not put it down until the depressed center wheel has come to a complete stop. Apart from avoiding serious accidents, this precaution will reduce the amount of dust and swarf sucked into the machine.

### CAUTIONS

- Check that the work piece is properly supported.
- Ensure that ventilation openings are kept clear when working in dusty conditions. If it should become necessary to clear dust, first disconnect the tool from the mains supply (use non-metallic objects) and avoid damaging internal parts.
- Ensure that sparks resulting from use do not create a hazard e.g. do not hit persons, or ignite flammable substances.

---

## MAINTENANCE AND INSPECTION

---

### 1. Inspecting the depressed center wheel

Ensure that the depressed center wheel is free of cracks and surface defects.

### 2. Inspecting the mounting screws

Regularly inspect all mounting screws and ensure that they are properly tightened. Should any of the screws be loose, retighten them immediately. Failure to do so could result in serious hazard.

### 3. Inspecting the carbon brushes

For your continued safety and electrical shock protection, carbon brush inspection and replacement on this tool should ONLY be performed by a HITACHI AUTHORIZED SERVICE CENTER.

### 4. Replacing supply cord

If the supply cord of Tool is damaged, the Tool must be returned to Hitachi Authorized Service Center for the cord to be replaced.

### 5. Maintenance of the motor

The motor unit winding is the very "heart" of the power tool. Exercise due care to ensure the winding does not become damaged and/or wet with oil or water.

**6. Service parts list**

- A : Item No.
- B : Code No.
- C : No. Used
- D : Remarks

**CAUTION**

Repair, modification and inspection of Hitachi Power Tools must be carried out by a Hitachi Authorized Service Center.

Especially laser device should be maintained by the authorized agent by laser manufacturer.

Always assign the repair of laser device to Hitachi Authorized Service Center.

This Parts List will be helpful if presented with the tool to the Hitachi Authorized Service Center when requesting repair or other maintenance.

In the operation and maintenance of power tools, the safety regulations and standards prescribed in each country must be observed.

**MODIFICATIONS**

Hitachi Power Tools are constantly being improved and modified to incorporate the latest technological advancements.

Accordingly, some parts (i.e. code numbers and/or design) may be changed without prior notice.

---

**GUARANTEE**

We guarantee Hitachi Power Tools in accordance with statutory/country specific regulation. This guarantee does not cover defects or damage due to misuse, abuse, or normal wear and tear. In case of complaint, please send the Power Tool, undismantled, with the GUARANTEE CERTIFICATE found at the end of this Handling instruction, to a Hitachi Authorized Service Center.

---

**NOTE**

Due to HITACHI's continuing program of research and development, the specifications herein are subject to change without prior notice.

---

**Information concerning airborne noise and vibration**

The measured values were determined according to EN 60745 and declared in accordance with ISO 4871.

- Measured A-weighted sound power level: 95 dB(A)
- Measured A-weighted sound pressure level: 84 dB(A)
- Uncertainty KpA: 3 dB(A)

Wear ear protection.

The typical weighted root mean square acceleration value: 4.9 m/s<sup>2</sup>.

---

---

## ALLGEMEINE SICHERHEITSMASSNAHMEN

### WARNUNG!

Lesen Sie sämtliche Hinweise durch

Wenn nicht sämtliche nachstehenden Anweisungen befolgt werden, kann es zu Stromschlag, Brand und/oder ernsthaften Verletzungen kommen.

Der Begriff „Elektrowerkzeug“ bezieht sich in den folgenden Warnhinweisen auf Elektrowerkzeuge mit Netz- (schnurgebunden) oder Akkubetrieb (schnurlos).

### BEWAHREN SIE DIESE ANWEISUNGEN AUF

#### 1) Arbeitsbereich

- a) Sorgen Sie für einen sauberen und gut ausgeleuchteten Arbeitsbereich.

Zugestellte und dunkle Bereiche ziehen Unfälle förmlich an.

- b) Verwenden Sie Elektrowerkzeuge niemals an Orten, an denen Explosionsgefahr besteht – zum Beispiel in der Nähe von leicht entflammaren Flüssigkeiten, Gasen oder Stäuben.

Bei der Arbeit mit Elektrowerkzeugen kann es zu Funkenbildung kommen, wodurch sich Stäube oder Dämpfe entzünden können.

- c) Sorgen Sie bei der Arbeit mit Elektrowerkzeugen dafür, dass sich keine Zuschauer (insbesondere Kinder) in der Nähe befinden.

Wenn Sie abgelenkt werden, können Sie die Kontrolle über das Werkzeug verlieren.

#### 2) Elektrische Sicherheit

- a) Elektrowerkzeuge müssen mit passender Stromversorgung betrieben werden.

Nehmen Sie niemals irgendwelche Änderungen am Anschlussstecker vor.

Verwenden Sie bei Elektrowerkzeugen mit Schutzkontakt (geerdet) niemals Adapterstecker. Stecker im Originalzustand und passende Steckdosen reduzieren das Stromschlagrisiko.

- b) Vermeiden Sie Körperkontakt mit geerdeten Gegenständen wie Rohrleitungen, Heizungen, Herden oder Kühlschränken.

Bei Körperkontakt mit geerdeten Gegenständen besteht ein erhöhtes Stromschlagrisiko.

- c) Setzen Sie Elektrowerkzeuge niemals Regen oder sonstiger Feuchtigkeit aus.

Wenn Flüssigkeiten in ein Elektrowerkzeug eindringen, erhöht sich das Stromschlagrisiko.

- d) Verwenden Sie die Anschlusschnur nicht missbräuchlich. Tragen Sie das Elektrowerkzeug niemals an der Anschlusschnur, ziehen Sie es nicht damit heran und ziehen Sie den Stecker nicht an der Anschlusschnur aus der Steckdose. Halten Sie die Anschlusschnur von Hitzequellen, Öl, scharfen Kanten und beweglichen Teilen fern. Beschädigte oder verdrehte Anschlusschnüre erhöhen das Stromschlagrisiko.

- e) Wenn Sie ein Elektrowerkzeug im Freien benutzen, verwenden Sie ein für den Außeneinsatz geeignetes Verlängerungskabel. Ein für den Außeneinsatz geeignetes Kabel vermindert das Stromschlagrisiko.

#### 3) Persönliche Sicherheit

- a) Bleiben Sie wachsam, achten Sie auf das, was Sie tun, und setzen Sie Ihren Verstand ein, wenn Sie mit Elektrowerkzeugen arbeiten.

Benutzen Sie keine Elektrowerkzeuge, wenn Sie müde sind oder unter Einfluss von Drogen, Alkohol oder Medikamenten stehen.

Bei der Arbeit mit Elektrowerkzeugen können bereits kurze Phasen der Unaufmerksamkeit zu schweren Verletzungen führen.

- b) Benutzen Sie Schutzausrüstung. Tragen Sie immer einen Augenschutz.

Schutzausrüstung wie Staubmaske, rutschsichere Sicherheitsschuhe, Schutzhelm und Gehörschutz senken das Verletzungsrisiko bei angemessenem Einsatz.

- c) Vermeiden Sie unbeabsichtigten Anlauf. Achten Sie darauf, dass sich der Schalter in der Aus-(Off-) Position befindet, ehe Sie den Stecker einstecken.

Das Herumtragen von Elektrowerkzeugen mit dem Finger am Schalter und das Einstecken des Steckers bei betätigtem Schalter zieht Unfälle regelrecht an.

- d) Entfernen Sie sämtliche Einstellwerkzeuge (Einstellschlüssel), ehe Sie das Elektrowerkzeug einschalten.

Ein an einem beweglichen Teil des Elektrowerkzeugs angebrachter Schlüssel kann zu Verletzungen führen.

- e) Sorgen Sie für einen festen Stand. Achten Sie jederzeit darauf, sicher zu stehen und das Gleichgewicht zu bewahren.

Dadurch haben Sie das Elektrowerkzeug in unerwarteten Situationen besser im Griff.

- f) Kleiden Sie sich richtig. Tragen Sie keine lose Kleidung oder Schmuck. Halten Sie Haar, Kleidung und Handschuhe von beweglichen Teilen fern. Lose Kleidung, Schmuck oder langes Haar kann von beweglichen Teilen erfasst werden.

- g) Wenn Anschlüsse für Staubabsaug- und -sammelvorrichtungen vorhanden sind, sorgen Sie dafür, dass diese richtig angeschlossen und eingesetzt werden.

Die Verwendung solcher Vorrichtungen kann Staub-bezogene Gefahren mindern.

#### 4) Einsatz und Pflege von Elektrowerkzeugen

- a) Überansprechen Sie Elektrowerkzeuge nicht. Benutzen Sie das richtige Elektrowerkzeug für Ihren Einsatzzweck.

Das richtige Elektrowerkzeug erledigt seine Arbeit bei bestimmungsgemäßem Einsatz besser und sicherer.

- b) Benutzen Sie das Elektrowerkzeug nicht, wenn es sich nicht am Schalter ein- und ausschalten lässt. Jedes Elektrowerkzeug, das nicht mit dem Schalter betätigt werden kann, stellt eine Gefahr dar und muss repariert werden.

- c) Ziehen Sie den Netzstecker, ehe Sie Einstellarbeiten vornehmen, Zubehörteile tauschen oder das Elektrowerkzeug verstauen. Solche präventiven Sicherheitsmaßnahmen verhindern den unbeabsichtigten Anlauf des Elektrowerkzeugs und die damit verbundenen Gefahren.

- d) Lagern Sie nicht benutzte Elektrowerkzeuge außerhalb der Reichweite von Kindern, lassen Sie nicht zu, dass Personen das Elektrowerkzeug bedienen, die nicht mit dem Werkzeug selbst und/oder diesen Anweisungen vertraut sind.



*Elektrowerkzeuge in ungeschulten Händen sind gefährlich.*

- e) **Halten Sie Elektrowerkzeuge in Stand. Prüfen Sie auf Fehlausrichtungen, sicheren Halt und Leichtgängigkeit beweglicher Teile, Beschädigungen von Teilen und auf jegliche andere Zustände, die sich auf den Betrieb des Elektrowerkzeugs auswirken können.**

**Bei Beschädigungen lassen Sie das Elektrowerkzeug reparieren, ehe Sie es benutzen.**

*Viele Unfälle mit Elektrowerkzeugen sind auf schlechte Wartung zurückzuführen.*

- f) **Halten Sie Schneidwerkzeuge scharf und sauber. Richtig gewartete Schneidwerkzeuge mit scharfen Schneidkanten bleiben weniger häufig hängen und sind einfacher zu beherrschen.**

- g) **Benutzen Sie Elektrowerkzeuge, Zubehör, Werkzeugspitzen und Ähnliches in Übereinstimmung mit diesen Anweisungen und auf die für das jeweilige Elektrowerkzeug bestimmungsgemäße Weise – beachten Sie dabei die jeweiligen Arbeitsbedingungen und die Art und Weise der auszuführenden Arbeiten.**

*Der bestimmungswidrige Einsatz von Elektrowerkzeugen kann zu gefährlichen Situationen führen.*

## 5) Service

- a) **Lassen Sie Elektrowerkzeuge durch qualifizierte Fachkräfte und unter Einsatz passender, zugelassener Originalteile warten.**

*Dies sorgt dafür, dass die Sicherheit des Elektrowerkzeugs nicht beeinträchtigt wird.*

## VORSICHT

**Von Kindern und gebrechlichen Personen fernhalten. Werkzeuge sollten bei Nichtgebrauch außerhalb der Reichweite von Kindern und gebrechlichen Personen aufbewahrt werden.**

## ALLGEMEINE SICHERHEITSHINWEISE FÜR SCHLEIFGERÄTE

- Vergewissern Sie sich, dass die auf der Scheibe angegebene Geschwindigkeit mit der Sollgeschwindigkeit des Schleifers übereinstimmt oder diese übertrifft;
- Achten Sie darauf, dass die Abmessungen der Scheibe mit dem Schleifer kompatibel sind;

## TECHNISCHE DATEN

| Modell                     |                                    | G10SR3                               | G12SR3      | G13SR3      |
|----------------------------|------------------------------------|--------------------------------------|-------------|-------------|
| Spannung (je nach Gebiet)* |                                    | (110V, 120V, 220V, 230V, 240V) $\nu$ |             |             |
| Leistungsaufnahme*         |                                    | 730 W                                |             |             |
| Leerlaufdrehzahl           |                                    | 10000 min <sup>-1</sup>              |             |             |
| Schleif-<br>scheibe        | Außendurchmesser × Lochdurchmesser | 100 × 16 mm                          | 115 × 22 mm | 125 × 22 mm |
|                            | Umlaufgeschwindigkeit              | 72 m/s                               | 80 m/s      |             |
| Gewicht (Gerät selbst.)    |                                    | 1,4 kg                               |             |             |

\*Vergessen Sie nicht, die Produktangaben auf dem Typenschild zu überprüfen, da sich diese je nach Verkaufsgebiet ändern.

- Schleifscheiben müssen sorgfältig und in Übereinstimmung mit den Anweisungen des Herstellers gelagert und verwendet werden;
- Überprüfen Sie die Schleifscheibe vor dem Einsatz, verwenden Sie keine angeschlagenen, gebrochenen oder sonstige defekte Produkte;
- Achten Sie darauf, dass Scheiben und Gegenstücke gemäß den Anweisungen des Herstellers angebracht werden;
- Denken Sie daran, mit dem Verbundprodukt gelieferte Papierflansche zu verwenden, wenn diese benötigt werden;
- Achten Sie darauf, dass das Schleifmittel vor dem Einsatz richtig montiert und angezogen wird, lassen Sie das Werkzeug 30 Sekunden lang unbelastet in einer sicheren Position laufen, stoppen Sie das Gerät sofort, falls Sie deutliche Vibrationen oder andere Defekte bemerken sollten. Falls dies eintritt, überprüfen Sie das Gerät und versuchen Sie, die Ursache herauszufinden;
- Falls das Werkzeug mit einer Schutzeinrichtung ausgerüstet ist, benutzen Sie das Werkzeug niemals ohne diese Schutzeinrichtung;
- Verwenden Sie keine separaten Reduzierhülsen oder Adapter, um Schleifscheiben mit großem Lochdurchmesser zu montieren;
- Bei Werkzeugen, die zum Einsatz mit Gewinde-Schleifscheiben vorgesehen sind, vergewissern Sie sich, dass das Gewinde in der Scheibe lang genug ist, um die Welle in ganzer Länge aufzunehmen;
- Vergewissern Sie sich, dass das Werkstück richtig gestützt wird;
- Verwenden Sie keine Trennscheiben für seitliche Schleifarbeiten;
- Achten Sie darauf, dass bei der Arbeit entstehende Funken keine Unfälle verursachen – keine Personen treffen oder entflammare Materialien entzünden;
- Sorgen Sie dafür, dass Belüftungsöffnungen jederzeit frei bleiben, wenn Sie unter staubigen Bedingungen arbeiten. Falls Staub beseitigt werden muss, ziehen Sie zuerst den Netzstecker (verwenden Sie dafür keine Metallgegenstände) und vermeiden Sie Beschädigungen von innen liegenden Teilen;
- Tragen Sie grundsätzlich eine Schutzbrille und einen Gehörschutz. Darüber hinaus sollten Sie in eine persönliche Schutzausrüstung wie Staubmaske, Handschuhe, Helm und Schürze tragen;
- Geben Sie gut auf die Scheibe acht; nach dem Ausschalten des Werkzeuges dreht sich diese noch eine Zeit lang weiter.

---

## STANDARDZUBEHÖR

---

- (1) Schlüssel ..... 1  
 (2) Handgriff ..... 1  
 Das Standardzubehör kann ohne vorherige Bekanntmachung jederzeit geändert werden.

---

## ANWENDUNGSGEBIETE

---

- Entfernung von Gußgrat und Endbearbeitung verschiedener Stahlqualitäten, Bronze- und Aluminiummaterialien und Gußteile.
- Schleifen von geschweißten Stücken oder von durch Brennschneiden hergestellten Abschnitten.
- Schleifen von Kunstharz, Schiefer, Ziegelstein, Marmor, usw.

---

## VOR INBETRIEBNAHME

---

1. **Netzspannung**  
Prüfen, daß die zu verwendende Netzspannung der Angabe auf dem Typenschild entspricht.
2. **Netzschalter**  
Prüfen, daß der Netzschalter auf "AUS" steht. Wenn der Stecker an das Netz angeschlossen wird, während der Schalter auf "EIN" steht, beginnt das Werkzeug sofort zu laufen, was gefährlich ist.
3. **Verlängerungskabel**  
Wenn der Arbeitsbereich nicht in der Nähe des Netzanschlusses liegt, ist ein Verlängerungskabel ausreichenden Querschnitts und ausreichender Nennleistung zu verwenden. Das Verlängerungskabel sollte so kurz wie möglich gehalten werden.
4. **Anbringen und Einstellen der Schutzhaube**  
Die Schutzhaube ist eine Schutzvorrichtung, durch die Schaden verhindert werden soll, wenn die Schleifscheibe während des Betriebs zerbrechen sollte. Es ist darauf zu achten, daß die Haube ordnungsgemäß angebracht und befestigt ist, ehe mit der Schleifarbeit begonnen wird.  
Durch geringfügiges Lockern der Arretierschraube kann die Schutzhaube gedreht und in jedem gewünschten Winkel zur Erzielung maximaler Leistung eingestellt werden. Es ist sicherzustellen, daß die Arretierschraube nach dem Einstellen der Schutzhaube ordnungsgemäß angezogen wird.
5. Stellen Sie sicher, daß die angebrachte Schleifscheibe und die anderen Teile entsprechend den Anweisungen des Herstellers angebracht sind. Es ist weiter darauf zu achten, daß die zu verwendende Schleifscheibe die richtige Ausführung und ohne Risse und Oberflächenfehler ist. Es ist auch darauf zu achten, daß die Schleifscheibe richtig montiert und die Mutter der Schleifscheibe fest angezogen ist. Siehe Abschnitt "ANBRINGEN UND ABNEHMEN DER SCHLEIFSCHEIBE".  
Stellen Sie sicher, daß Beilegscheiben verwendet werden, wenn diese mit Schleifscheiben aus gebundenem Schleifmittel mitgeliefert werden und erforderlich sind.  
Verwenden Sie keine separaten Reduzierbuchsen oder Adapter zum Anpassen von Schleifscheiben mit einem großen Loch.  
Stellen Sie für Werkzeuge für Verwendung mit einer Schleifscheibe mit Gewindeloch sicher, daß das

Gewinde in der Schleifscheibe lang genug ist, um die Spindellänge aufzunehmen.  
Verwenden Sie eine Trennscheibe nicht zum Seitenschleifen.

6. **Durchführung eines Probelaufs**  
Stellen Sie vor der Verwendung sicher, daß das Schleiferzeugnis korrekt angebracht und fest angezogen ist, und lassen Sie das Werkzeug ohne Last 30 Sekunden an einer sicheren Position laufen. Halten Sie das Werkzeug sofort an, wenn beträchtliche Vibrationen auftreten oder Defekte festgestellt werden. Wenn ein solcher Zustand eintritt, so überprüfen Sie die Maschine, um die Ursache zu finden.
7. **Überprüfen der Druckknopf:**  
Es ist zu überprüfen, ob die Druckknopf freigegeben ist, indem zwei- oder dreimal vor Einschalten des Gerätes auf die Druckknopf gedrückt wird (siehe Abb. 2).
8. **Anbringen des Handgriffs**  
Den Handgriff in den Getriebedeckel einschrauben.

---

## PRAKTISCHE SCHLEIFARBEIT

---

1. **Druck**  
Zur Verlängerung der Lebensdauer Maschine und für erstklassige Arbeit ist es wichtig, daß die Maschine nicht durch zu starken Druck überbelastet wird. Bei den meisten Anwendungen reicht das Gewicht der Maschine für effektives Schleifen aus. Zu starker Druck führt zu verminderter Drehzahl, unbefriedigendem Oberflächenaussehen und einer Überbelastung, die die Lebensdauer der Maschine vermindern könnte.
2. **Schleifwinkel**  
Nicht die gesamte Fläche der Schleifscheibe auf das zu schleifende Material aufliegen. Die Maschine sollte, wie in **Abb. 1** dargestellt ist, in einem Winkel von 15° - 30° gehalten werden, so daß die Außenkante der Schleifscheibe das Werkstück in einem optimalen Winkel berührt.
3. Damit sich eine neue Schleifscheibe nicht in das Werkstück hineingräbt, sollte zu Anfang die Schleifarbeit so durchgeführt werden, daß der Winkelschleifer über das Werkstück zum Bedienungsmanng gezogen wird (**Abb. 1 Richtung B**). Wenn die Vorderkante der Schleifscheibe entsprechend abgeschliffen ist, kann das Schleifen in beiden Richtungen durchgeführt werden.
4. **Vorsichtsmaßnahmen unmittelbar nach Beendigung der Arbeit**  
Die Schleifscheibe dreht sich auch nach dem Ausschalten des Werkzeugs noch weiter. Nach dem Ausschalten darf die Maschine erst abgelegt werden, wenn die Schleifscheibe völlig zum Stillstand gekommen ist. Abgesehen vom Vermeiden ernsthafter Unfälle wird durch diese Vorsichtsmaßnahmen vermieden, daß Staub und Späne in die Maschine gesaugt werden.

### ACHTUNG

- Überprüfen Sie, daß das Werkstück richtig unterstützt ist.
- Überprüfen Sie bei Arbeit an einem staubigen Ort, daß die Ventilationsöffnungen freigehalten werden. Wenn Beseitigung von Staub erforderlich werden sollte, so ziehen Sie zuerst den Stecker des

Netzkabels aus der Steckdose (verwenden Sie nichtmetallische Gegenstände) und vermeiden Sie Beschädigung innerer Teile.

- Stellen Sie sicher, daß bei der Verwendung auftretende Funken keine Gefährdung darstellen, d.h. daß sie keine Personen treffen und keine entflammaren Substanzen entzünden.
- Verwenden Sie immer Augen- und Ohrenschutz. Ständige persönliche Schutzausrüstung wie eine Staubmaske, Handschuhe, ein Helm und eine Schürze sollte getragen werden, wenn sie erforderlich ist.  
Tragen Sie im Zweifelsfall Schutzausrüstung.
- Wenn die Maschine nicht benutzt wird, sollte der Netzstecker gezogen werden.

## ANBRINGEN UND ABNEHMEN DER SCHLEIFSCHLEIBE (Abb. 2)

**VORSICHT** Immer den Betriebsschalter auf "Aus" stellen und den Netzstecker aus der Steckdose ziehen, um Unfälle zu vermeiden.

### 1. Anbringen (Abb. 2)

- (1) Legen Sie den Winkelschleifer mit der Oberseite nach unten hin, so dass die Spindel nach oben zeigt.
- (2) Die Beilegscheibe mit den Flachseiten auf die Einkerbungen der Spindel ausgerichtet anbringen.
- (3) Den Vorsprung der Schleifscheibe in die Beilegscheibe einpassen.
- (4) Die Schleifscheibenmutter auf die Spindel schrauben.
- (5) Den Druckknopf mit einer Hand drücken und die Spindel durch langsames Drehen der Schleifscheibe mit der anderen Hand verriegeln.  
Die Schleifscheibenmutter mit dem mitgelieferten Schlüssel wie in **Abb. 2** gezeigt anziehen.

### 2. Abnehmen

Beim Abnehmen wird in umgekehrter Reihenfolge vorgegangen.

### VORSICHT

- Prüfen, ob die Schleifscheibe fest angezogen ist.
- Es ist zu überprüfen, ob die Druckknopf freigegeben ist, indem zwei- oder dreimal vor Einschalten des Gerätes auf die Druckknopf gedrückt wird.

## WARTUNG UND INSPEKTION

### 1. Überprüfung der Schleifscheibe

Es ist darauf zu achten, daß die Schleifscheibe ohne Risse und Fehler an der Oberfläche ist.

### 2. Inspektion der Befestigungsschrauben

Alle Befestigungsschrauben werden regelmäßig inspiziert und geprüft, ob sie gut angezogen sind. Wenn sich eine der Schrauben lockert, muß sie sofort wieder angezogen werden. Geschieht das nicht, kann das zu erheblichen Gefahren führen.

### 3. Inspektion der Kohlebürsten

Zur Erhaltung Ihrer Sicherheit und des Schutzes gegen elektrischen Schlag sollten Inspektion und Auswechseln der Kohlebürsten NUR DURCH EIN AUTORISIERTES HITACHI-WARTUNGSZENTRUM durchgeführt werden.

### 4. Auswechseln des Netzkabels

Wenn das Netzkabel des Werkzeugs beschädigt wird, muss das Werkzeug zum Auswechseln des

Netzkabels an ein von Hitachi autorisiertes Wartungszentrum zurückgegeben werden.

### 5. Wartung des Motors

Die Motorwicklung ist das "Herz" des Elektrowerkzeugs. Daher ist besonders sorgfältig darauf zu achten, daß die Wicklung nicht beschädigt wird und/oder mit Öl oder Wasser in Berührung kommt.

### 6. Liste der Wartungsteile

- A : Punkt Nr.
- B : Code Nr.
- C : Verwendete Anzahl
- D : Bemerkungen

### ACHTUNG

Reparatur, Modifikation und Inspektion von Hitachi-Elektrowerkzeugen müssen durch ein Autorisiertes Hitachi-Wartungszentrum durchgeführt werden. Besonders die Laservorrichtung sollte von autorisierten Agenten des Hersteller gewartet werden. Wenden Sie sich für Reparatur der Laservorrichtung immer an ein von Autorisierten Hitachi Wartungszentrum.

Diese Teileliste ist hilfreich, wenn sie dem Autorisierte Hitachi-Wartungszentrum zusammen mit dem Werkzeug für Reparatur oder Wartung ausgehändigt wird.

Bei Betrieb und Wartung von Elektrowerkzeugen müssen die Sicherheitsvorschriften und Normen beachtet werden.

### MODIFIKATIONEN

Hitachi-Elektrowerkzeuge werden fortwährend verbessert und modifiziert, um die neuesten technischen Fortschritte einzubauen. Dementsprechend ist es möglich, daß einige Teile (z.B. Codenummern bzw. Entwurf) ohne vorherige Benachrichtigung geändert werden.

## GARANTIE

Auf Hitachi-Elektrowerkzeuge gewähren wir eine Garantie unter Zugrundelegung der jeweils geltenden gesetzlichen und landesspezifischen Bedingungen. Dieses Garantie erstreckt sich nicht auf Gehäusedefekte und nicht auf Schäden, die auf Missbrauch, bestimmungswidrigen Einsatz oder normalen Verschleiß zurückzuführen sind. Im Schadensfall senden Sie das nicht zerlegte Elektrowerkzeug zusammen mit dem GARANTIESCHEIN, den Sie am Ende der Bedienungsanleitung finden, an ein von Hitachi autorisiertes Servicecenter.

## ANMERKUNG

Aufgrund des ständigen Forschungs- und Entwicklungsprogramms von HITACHI sind Änderungen der hierin gemachten technischen Angaben nicht ausgeschlossen.

### Information über Betriebslärm und Vibration

Die gemessenen Werte wurden entsprechend EN60745 bestimmt und in Übereinstimmung mit ISO 4871 ausgewiesen.

Gemessener A-gewichteter Schallpegel: 95 dB(A)

Gemessener A-gewichteter Schalldruck: 84 dB(A)

Messunsicherheit KpA: 3 dB(A)

Bei der Arbeit immer einen Ohrenschutz tragen.

Der typische gewogene quadratische Mittelwert für die Beschleunigung ist 4,9 m/s<sup>2</sup>.

## ΓΕΝΙΚΑ ΜΕΤΡΑ ΑΣΦΑΛΕΙΑΣ

### ΠΡΟΣΟΧΗ!

#### Διαβάστε όλες τις οδηγίες

Αν δεν τηρηθούν όλες οι οδηγίες που αναφέρονται παρακάτω, ενδέχεται να προκληθεί ηλεκτροπληξία, πυρκαγιά ή/και σοβαρός τραυματισμός.

Ο όρος “ηλεκτρικό εργαλείο” σε όλες τις προειδοποιήσεις που αναφέρονται παρακάτω αναφέρεται στο ηλεκτρικό εργαλείο που λειτουργεί με το ρεύμα του ηλεκτρικού δικτύου (με καλώδιο) ή στο ηλεκτρικό εργαλείο που λειτουργεί με μπαταρία (χωρίς καλώδιο).

### ΦΥΛΑΞΤΕ ΑΥΤΕΣ ΤΙΣ ΟΔΗΓΙΕΣ

#### 1) Χώρος εργασίας

- a) Διατηρείτε το χώρο εργασίας καθαρό και καλά φωτισμένο.

Οι ακατάστατοι και οι σκοτεινοί χώροι έχουν την τάση να προκαλούν ατυχήματα.

- b) Μη χρησιμοποιείτε τα ηλεκτρικά εργαλεία σε εκρηκτικές ατμόσφαιρες, όπως όταν είναι παρόντα εύφλεκτα υγρά, αέρια ή σκόνη.

Τα ηλεκτρικά εργαλεία δημιουργούν σπινθήρες οι οποίοι ενδέχεται να προκαλέσουν την ανάφλεξη αυτών των υλικών.

- c) Κρατήστε τα παιδιά και τους παρευρισκόμενους μακριά όταν χρησιμοποιείτε ένα ηλεκτρικό εργαλείο. Αν αποσπαστεί η προσοχή σας, υπάρχει κίνδυνος να χάσετε τον έλεγχο.

#### 2) Ηλεκτρική ασφάλεια

- a) Τα φως των ηλεκτρικών εργαλείων πρέπει να είναι κατάλληλα για τις πρίζες.

Μην τροποποιήσετε ποτέ το φως με οποιονδήποτε τρόπο.

Μη χρησιμοποιείτε φως προσαρμογής με γειωμένα ηλεκτρικά εργαλεία.

Τα μη τροποποιημένα φως και οι κατάλληλες πρίζες μειώνουν τον κίνδυνο ηλεκτροπληξίας.

- b) Αποφύγετε τη σωματική επαφή με γειωμένες επιφάνειες όπως σωλήνες, θερμάστρες, μαγειρικές συσκευές και ψυγεία.

Υπάρχει αυξημένος κίνδυνος ηλεκτροπληξίας όταν το σώμα σας είναι γειωμένο.

- c) Μην εκθέτετε τα ηλεκτρικά εργαλεία στη βροχή ή σε συνθήκες υγρασίας.

Το νερό που εισέρχεται σε ένα ηλεκτρικό εργαλείο αυξάνει τον κίνδυνο ηλεκτροπληξίας.

- d) Μην ασκείτε δύναμη στο καλώδιο. Μη χρησιμοποιείτε ποτέ το καλώδιο για να μεταφέρετε, να τραβήξετε ή να βγάλετε από την πρίζα το ηλεκτρικό εργαλείο.

Κρατήστε το καλώδιο μακριά από θερμότητα, λάδι, κοφτερές γωνίες και κινούμενα μέρη.

Τα κατεστραμμένα ή μπερδεμένα καλώδια αυξάνουν τον κίνδυνο ηλεκτροπληξίας.

- e) Όταν χρησιμοποιείτε το εργαλείο σε εξωτερικό χώρο, χρησιμοποιήστε καλώδιο προέκτασης που προορίζεται για χρήση σε εξωτερικό χώρο.

Η χρήση ενός καλώδιου κατάλληλου για εξωτερικό χώρο μειώνει τον κίνδυνο ηλεκτροπληξίας.

#### 3) Προσωπική ασφάλεια

- a) Να είστε σε ετοιμότητα, να βλέπετε αυτό που κάνετε και να χρησιμοποιείτε την κοινή λογική όταν χρησιμοποιείτε ένα ηλεκτρικό εργαλείο.

Μη χρησιμοποιείτε ηλεκτρικά εργαλεία όταν είστε κουρασμένοι ή υπό την επήρεια ναρκωτικών ουσιών, οινοπνεύματος ή φαρμάκων.

Μια στιγμή απροσεξίας κατά τη χρήση ενός ηλεκτρικού εργαλείου μπορεί να προκαλέσει σοβαρό προσωπικό τραυματισμό.

- b) Χρησιμοποιείτε εξοπλισμό ασφαλείας. Να φοράτε πάντοτε προστατευτικά γυαλιά για τα μάτια.

Εξοπλισμός ασφαλείας όπως μάσκα για τη σκόνη, αντιολισθητικά υποδήματα, σκληρό κάλυμμα κεφαλής ή προστατευτικά ακοής που χρησιμοποιούνται στις αντίστοιχες συνθήκες μειώνουν τις πιθανότητες τραυματισμού.

- c) Να αποφεύγετε την κατά λάθος έναρξη λειτουργίας. Να βεβαιώνετε ότι ο διακόπτης είναι στην κλειστή θέση (off) πριν τοποθετήσετε το φως στην πρίζα.

Η μεταφορά ηλεκτρικών εργαλείων με το δάχτυλο στο διακόπτη λειτουργίας ή η σύνδεση ηλεκτρικών εργαλείων στο ρεύμα με το διακόπτη ανοιχτό αυξάνει τις πιθανότητες ατυχήματος.

- d) Να αφαιρείτε τυχόν κλειδιά ρυθμιζόμενου ανοιγματος ή τα απλά κλειδιά πριν θέσετε σε λειτουργία το ηλεκτρικό εργαλείο.

Ενα απλό κλειδί ή ένα κλειδί ρυθμιζόμενου ανοιγματος που είναι προσαρτημένο σε περιστρεφόμενο εξάρτημα του ηλεκτρικού εργαλείου μπορεί να προκαλέσει προσωπικό τραυματισμό.

- e) Μην τεντώνετε. Να διατηρείτε πάντοτε το κατάλληλο πάτημα και την ισορροπία σας.

Με αυτόν τον τρόπο μπορείτε να ελέγχετε καλύτερα το ηλεκτρικό εργαλείο σε μη αναμενόμενες καταστάσεις.

- f) Να είστε ντυμένοι κατάλληλα. Μη φοράτε φαρδιά ρούχα ή κοσμήματα. Να κρατάτε τα μαλλιά σας, τα ρούχα σας και τα γάντια σας μακριά από κινούμενα μέρη.

Τα φαρδιά ρούχα, τα κοσμήματα και τα μακριά μαλλιά μπορεί να πιαστούν σε κινούμενα μέρη.

- g) Αν παρέχονται εξαρτήματα για τη σύνδεση συσκευών εξαγωγής και συλλογής σκόνης, να βεβαιώνετε ότι είναι συνδεδεμένα και χρησιμοποιούνται με το σωστό τρόπο.

Η χρήση αυτών των συσκευών μπορεί να μειώσει τους κινδύνους που σχετίζονται με τη σκόνη.

#### 4) Χρήση και φροντίδα ηλεκτρικών εργαλείων

- a) Μην ασκείτε δύναμη στο ηλεκτρικό εργαλείο. Να χρησιμοποιείτε το ηλεκτρικό εργαλείο που είναι κατάλληλο για το είδος της εργασίας που εκτελείτε.

Το κατάλληλο ηλεκτρικό εργαλείο θα εκτελέσει την εργασία καλύτερα και με μεγαλύτερη ασφάλεια με τον τρόπο που σχεδιάστηκε.

- b) Μη χρησιμοποιήσετε το ηλεκτρικό εργαλείο αν ο διακόπτης λειτουργίας δεν ανοίγει και δεν κλείνει.

Ένα ηλεκτρικό εργαλείο που δεν ελέγχεται από το διακόπτη λειτουργίας είναι επικίνδυνο και πρέπει να επισκευαστεί.

- c) Βγάλτε το φως από την πρίζα πριν κάνετε οποιαδήποτε ρυθμίσεις, αλλάξετε εξάρτημα ή αποθηκεύσετε το ηλεκτρικό εργαλείο.

Αυτά τα προληπτικά μέτρα ασφαλείας μειώνουν τον κίνδυνο να ξεκινήσει το ηλεκτρικό εργαλείο κατά λάθος.

- d) Αποθηκεύετε τα εργαλεία που δεν χρησιμοποιείτε μακριά από παιδιά και μην αφήνετε τα άτομα που δεν είναι εξοικειωμένα με το ηλεκτρικό εργαλείο ή με αυτές τις οδηγίες να χρησιμοποιούν το ηλεκτρικό εργαλείο.  
Τα ηλεκτρικά εργαλεία είναι επικίνδυνα στα χέρια μη εκπαιδευμένων ατόμων.
- e) Συντηρείτε τα ηλεκτρικά εργαλεία. Να ελέγχετε την ευθυγράμμιση της ή της του μπλοκάρια των κινουμένων μερών, τ η θράση των εξαρτημάτων και οποιαδήποτε άλλη κατάσταση που ενδέχεται να επηρεάσει τη λειτουργία του ηλεκτρικού εργαλείου.  
Σε περίπτωση θλάθης, το ηλεκτρικό εργαλείο πρέπει να επισκευαστεί πριν χρησιμοποιηθεί.  
Πολλά ατυχήματα προκαλούνται από ηλεκτρικά εργαλεία που δεν έχουν συντηρηθεί σωστά.
- f) Διατηρείτε τα εργαλεία κοπής κοφτερά και καθαρά. Τα κατάλληλα συντηρημένα εργαλεία κοπής με κοφτερές γωνίες μπλοκάρουν πιο δύσκολα και ελέγχονται πιο εύκολα.
- g) Χρησιμοποιείτε το ηλεκτρικό εργαλείο, τα εξαρτήματα, τις μύτες των εργαλείων κλπ., σύμφωνα με αυτές τις οδηγίες και με τρόπο που είναι κατάλληλος για τον συγκεκριμένο τύπο ηλεκτρικού εργαλείου, λαμβάνοντας υπόψη τις συνθήκες εργασίας και την εργασία που πρόκειται να εκτελεστεί.  
Η χρήση του ηλεκτρικού εργαλείου σε λειτουργίες διαφορετικές από εκείνες για τις οποίες προορίζεται μπορεί να δημιουργήσει επικίνδυνες καταστάσεις.
- 5) Σέρβις
- a) Να δίνετε το ηλεκτρικό εργαλείο για σέρβις σε κατάλληλα εκπαιδευμένα άτομα και να χρησιμοποιείτε μόνο γνήσια ανταλλακτικά.  
Με αυτόν τον τρόπο είστε σίγουροι για την ασφάλεια του ηλεκτρικού εργαλείου.

## ΠΡΟΦΥΛΑΞΗ

Μακριά από τα παιδιά και τους αναπήρους.  
Όταν δεν χρησιμοποιούνται, τα εργαλεία πρέπει να φυλάζονται μακριά από τα παιδιά και τους αναπήρους.

## ΓΕΝΙΚΕΣ ΟΔΗΓΙΕΣ ΑΣΦΑΛΕΙΑΣ ΓΙΑ ΤΡΟΧΟΥΣ

- Ελέγξτε τη ένδειξη ταχύτητας του δίσκου να είναι ίση ή μεγαλύτερη από την ένδειξη ταχύτητας του τροχού.
- Σιγουρευτείτε ότι οι διαστάσεις του δίσκου είναι συμβατές με τον τροχό.
- Οι δίσκοι λειάνσεως πρέπει να φυλάσσονται και χειρίζονται με προσοχή σύμφωνα με τις οδηγίες του κατασκευαστή.
- Ελέγξτε τον δίσκο πριν τη χρήση, μη χρησιμοποιήτε σπασμένα, ραγισμένα ή με άλλο τρόπο ελαττωματικά προϊόντα.
- Σιγουρευτείτε ότι τοποθετημένοι δίσκοι και οι σημάνσεις έχουν προσαρμοστεί σύμφωνα με τις οδηγίες του κατασκευαστή.
- Σιγουρευτείτε ότι τα στυπόχαρτα έχουν χρησιμοποιηθεί όταν παρέχονται με το συγκολλημένο λειαντικό προϊόν λειάνσεως και όταν χρειάζονται.
- Σιγουρευτείτε ότι το προϊόν λειάνσεως έχει τοποθετηθεί σωστά και σφίχτει πριν τη χρήση και λειτουργεί στο εργαλείο για 30 δευτερόλεπτα χωρίς φορτίο και σε μια ασφαλή θέση, σταματήστε αμέσως αν υπάρχει υπερβολική δόνηση ή παρατηρήσετε άλλες δυσλειτουργίες. Σ' αυτή τη περίπτωση, ελέγξτε το μηχάνημα για να διαπιστώσετε την αιτία.
- Εάν το εργαλείο είναι εφοδιασμένο με κάποιο προστατευτικό, ποτέ μη χρησιμοποιήστε το εργαλείο χωρίς αυτό το προστατευτικό.
- Μη χρησιμοποιήτε πρόσθετες ροδέλες μείωσης ή προσαρμογές για να προσαρμόσετε δίσκους με μεγάλη τρύπα.
- Για εργαλεία φτιαγμένα να δέχονται τροχούς με τρύπα, σιγουρευτείτε ότι η τρύπα του δίσκου είναι αρκετά μεγάλη για να δεχθεί το μέγεθος του άξονα.
- Φροντίστε το αντικείμενο εργασίας να είναι καλά στηριγμένο.
- Μη χρησιμοποιήτε δίσκο κοπής για πλευρικό τρόχισμα.
- Σιγουρευτείτε ότι οι σπινθήρας από τη χρήση δεν δημιουργούν κινδύνους, π.χ. δεν χτυπούν ανθρώπους ή πυροδοτούν εύφλεκτες ουσίες.
- Σιγουρευτείτε ότι τα ανοίγματα αερισμού είναι ελεύθερα όταν εργάζεστε σε συνθήκες σκονισμένη, εάν χρειαστεί να αφαιρέστε σκόνη, πρώτα αποσυνδέστε το εργαλείο από το ρεύμα (μη χρησιμοποιήτε μεταλλικά αντικείμενα) και προσέξτε να μη προξενήστε ζημιά στα εσωτερικά μέρη.
- Πάντα να χρησιμοποιήτε προστασία για τα μάτια και τα αυτιά. Άλλοι προστατευτικοί εξοπλισμοί όπως μάσκα σκόνης, γάντια, κράνος και ποδιά θα πρέπει να χρησιμοποιούνται.
- Προσέξτε τον δίσκο που συνεχίζει να περιστρέφεται μετά το σβήσιμο του εργαλείου.

## ΤΕΧΝΙΚΑ ΧΑΡΑΚΤΗΡΙΣΤΙΚΑ

|                                |                                    |             |             |             |
|--------------------------------|------------------------------------|-------------|-------------|-------------|
| Μοντέλο G10SR3                 | G12SR3                             | G13SR3      | 1,4 kg      |             |
| Τάση (ανά περιοχές)*           | (110V, 120V, 220V, 230V, 240V) √   |             |             |             |
| Ισχύς εισόδου*                 | 730 W                              |             |             |             |
| Ταχύτητα χωρίς φορτίο          | 10000 min <sup>-1</sup>            |             |             |             |
| Τροχός                         | Εξωτερική διάμετρος × διαμ. τρύπας | 100 × 16 mm | 115 × 22 mm | 125 × 22 mm |
|                                | Περιφερειακή ταχύτητα              | 72 m/s      | 80 m/s      |             |
| Βάρος (Μόνο του κυρίου μέρους) | 1,4 kg                             |             |             |             |

\*Βεβαιωθείτε να ελέγξετε την πινακίδα στο προϊόν επειδή υπόκεινται σε αλλαγή σε εξάρτηση από την περιοχή.

## ΚΑΝΟΝΙΚΑ ΕΞΑΡΤΗΜΑΤΑ

- (1) Κλειδί..... 1
  - (2) Πλευρική λαβή..... 2
- Τα κανονικά εξαρτήματα μπορούν να αλλάξουν χωρίς προειδοποίηση.

## ΕΦΑΡΜΟΓΕΣ

- Αφαίρεση των υλικών που παραμένουν στις οπές χυτών αντικειμένων και τελειώματα διάφορων τύπων ατσάλιου, χαλκού και υλικών αλουμινίου και χυτών υλικών.
- Λείανση ηλεκτροκολλημένων τμημάτων ή τμημάτων που έχουν κοπεί από φλόγιστρο.
- Λείανση συνθετικών ρητινών, σχιστόλιθο, τούβλο, μάρμαρο κλπ.

## ΠΡΙΝ ΤΗ ΛΕΙΤΟΥΡΓΙΑ

### 1. Πηγή ρεύματος

Βεβαιωθείτε ότι η πηγή ρεύματος που πρόκειται να χρησιμοποιηθεί είναι εναρμονισμένη με τις απαιτήσεις σε ρεύμα που αναφέρεται στην πινακίδα του εργαλείου.

### 2. Διακόπτης ρεύματος

Βεβαιωθείτε ότι ο διακόπτης ρεύματος βρίσκεται στη θέση OFF. Αν το βίσμα είναι στη μπρίζα καθώς ο διακόπτης ρεύματος βρίσκεται στο ON, το εργαλείο θα αρχίσει να λειτουργεί αμέσως, με πιθανότητα πρόκλησης σοβαρού ατυχήματος.

### 3. Καλώδιο προέκτασης

Όταν ο χώρος εργασίας βρίσκεται μακριά από την παροχή ρεύματος, χρησιμοποιήστε ένα καλώδιο προέκτασης με κατάλληλο πάχος και ικανότητα μεταφοράς ρεύματος. Το καλώδιο προέκτασης πρέπει να είναι τόσο κοντό όσο είναι πρακτικά δυνατό.

### 4. Τοποθέτηση και ρύθμιση του προφυλακτήρα του τροχού

Ο προφυλακτήρας του τροχού είναι μια προστατευτική συσκευή για την αποφυγή τραυματισμού στην περίπτωση που ο χαμηλωμένος κεντρικά τροχός θρυμματιστεί κατά την λειτουργία. Βεβαιωθείτε ότι ο προφυλακτήρας είναι κατάλληλα συνδεδεμένος και στερεωμένος πριν εκτελέσετε την λειτουργία της λείανσης.

Ξεσφιγγοντας ελαφρά την ρυθμιστική βίδα, ο προφυλακτήρας του τροχού μπορεί να περιστραφεί και να ρυθμιστεί στην επιθυμητή γωνία για την εξασφάλιση της μέγιστης λειτουργικής απόδοσης. Βεβαιωθείτε ότι η ρυθμιστική βίδα είναι καλά σφιγμένη μετά την ρύθμιση του προφυλακτήρα του τροχού.

### 5. Βεβαιωθείτε ότι οι τροχοί στερέωσης και τα άκρα έχουν συνδεθεί σύμφωνα με τις οδηγίες του κατασκευαστή.

Βεβαιωθείτε ότι ο χαμηλωμένος κεντρικά τροχός, που πρόκειται να χρησιμοποιηθεί είναι του σωστού τύπου και χωρίς ραγίσματα και ατέλειες στην επιφάνεια. Επίσης βεβαιωθείτε ότι ο χαμηλωμένος κεντρικά τροχός έχει στερεωθεί κατάλληλα και το παξιμάδι του τροχού είναι σφιγμένο με ασφάλεια. Ανατρέξτε στο τμήμα “ΣΥΝΑΡΜΟΛΟΓΗΣΗ ΚΑΙ ΑΠΟΣΥΝΑΡΜΟΛΟΓΗΣΗ ΤΟΥ ΧΑΜΗΛΩΜΕΝΟΥ ΚΕΝΤΡΙΚΑ ΤΡΟΧΟΥ”

Βεβαιωθείτε ότι οι δίσκοι προστασίας του τροχού χρησιμοποιούνται όταν παρέχονται με το συγκολλημένο λειαντικό προϊόν και όποτε απαιτούνται.

Μην χρησιμοποιήσετε ξεχωριστά εξαρτήματα ή προσαρμογείς για να προσαρμόσετε λειαντικούς τροχούς με μεγάλη τρύπα.

Για εργαλεία που προορίζονται να δέχονται τροχούς με σπείρωμα, βεβαιωθείτε ότι το σπείρωμα στο τροχό είναι αρκετά μακρύ για να δεχτεί το μήκος του άξονα.

Μην χρησιμοποιείτε τροχούς κοπής για πλευρική λείανση.

### 6. Εκτέλεση δοκιμαστικής χρήσης

Βεβαιωθείτε ότι τα προϊόντα λείανσης είναι σωστά συνδεδεμένα και σφιγμένα πριν από την χρήση και λειτουργήστε το εργαλείο χωρίς φορτίο για 30 δευτερόλεπτα σε μια ασφαλή θέση, σταματήστε αμέσως αν υπάρξει έντονη δόνηση ή αν παρουσιαστούν άλλες ανωμαλίες.

Αν αυτή η κατάσταση συμβεί, εξέγχετε το μηχάνημα για να ανακαλύψετε την αιτία.

### 7. Επιθεδαιώστε το κουμπί ώθησης.

Βεβαιωθείτε ότι το κουμπί ώθησης δεν είναι ενεργοποιημένο πατώντας το κουμπί ώθησης δυο ή τρεις φορές πριν ξεκινήσετε το εργαλείο. (Δείτε **Εικ. 2**)

### 8. Στερέωση της πλευρικής λαβής

Βιδώστε την πλευρική λαβή στο κάλυμμα των γρاناζιών.

## ΠΡΑΚΤΙΚΗ ΕΦΑΡΜΟΓΗ ΤΟΥ ΛΕΙΑΝΤΗ

### 1. Πίεση

Για την επιμήκυνση του χρόνου ζωής του μηχανήματος και την εξασφάλιση ενός τελειώματος πρώτης ποιότητας, είναι σημαντικό το μηχάνημα να μην υπερφορτώνεται με την άσκηση υπερβολικής πίεσης. Στις περισσότερες εφαρμογές μόνο το βάρος του μηχανήματος είναι αρκετό για μια αποτελεσματική λείανση. Η υπερβολική πίεση θα προκαλέσει την ελάττωση της περιστροφικής ταχύτητας, τελειώμα επιφάνειας κατώτερης ποιότητας, και υπερφόρτωση η οποία θα ελαττώσει τον χρόνο ζωής του μηχανήματος.

### 2. Γωνία λείανσης

Μην ακουμπάτε ολόκληρη την επιφάνεια του χαμηλωμένου κεντρικά τροχού στο υλικό το οποίο πρόκειται να λειανθεί. Όπως φαίνεται στην **Εικ. 1** το μηχάνημα πρέπει να κρατιέται σε γωνία 150 – 300 (superscript) έτσι ώστε η εξωτερική άκρη του χαμηλωμένου κεντρικά τροχού να εφάπτεται στο υλικό κατά την βέλτιστη γωνία.

### 3. Για την αποφυγή του σκαψίματος ενός καινούργιου χαμηλωμένου κεντρικά τροχού πάνω στο αντικείμενο εργασίας, η αρχική λείανση πρέπει να εκτελεστεί τραβώντας τον λειαντή πάνω στο αντικείμενο εργασίας προς το χρήστη (**Εικ. 1 διεύθυνση Β**). Αφότου το μπιστινό άκρο του χαμηλωμένου κεντρικά τροχού έχει κατάλληλα τριβεί, η λείανση μπορεί να πραγματοποιηθεί κατά την οποιαδήποτε κατεύθυνση.

## 4. Προφυλακτικά μέτρα αμέσως μετά το τέλος της λειτουργίας.

Ο τροχός συνεχίζει να περιστρέφεται αφότου το εργαλείο τεθεί εκτός λειτουργίας.

Μετά το κλείσιμο της μηχανής, μην το βάλετε κάτω πριν ο χαμηλωμένος κεντρικά τροχός σταματήσει τελείως. Εκτός από την αποφυγή σοβαρών ατυχημάτων, αυτό το μέτρο προφύλαξης θα ελαττώσει τη ποσότητα της σκόνης και τριμμάτων που προσροφώνται από το μηχάνημα.

### ΠΡΟΣΟΧΗ

- Ελέγξτε αν το αντικείμενο εργασίας υποστηρίζεται κατάλληλα.
- Βεβαιωθείτε ότι τα ανοίγματα αερισμού διατηρούνται καθαρά κατά την διάρκεια της εργασίας σε σκονισμένες περιοχές. Αν είναι απαραίτητο να καθαρίσετε τη σκόνη, πρώτα αποσυνδέστε το εργαλείο από την παροχή ρεύματος (χρησιμοποιήστε μη μεταλλικά αντικείμενα) και αποφύγετε να προκαλέσετε ζημιά στα εσωτερικά τμήματα.
- Βεβαιωθείτε ότι οι σπίθες που προκαλούνται από τη χρήση δεν δημιουργούν κίνδυνο πχ δεν κτυπούν τους ανθρώπους, ή αναφλέγουν εύφλεκτα υλικά.
- Πάντοτε να χρησιμοποιείτε προστατευτικά ματιών και αυτιών. Άλλος εξοπλισμός προσωπικής προστασίας όπως μάσκα σκόνης, γάντια, κράνος και ποδιά πρέπει να χρησιμοποιείται όταν είναι απαραίτητο. Αν βρίσκεστε σε αμφιβολία φορέστε τον προστατευτικό εξοπλισμό.
- Όταν το μηχάνημα δεν χρησιμοποιείται, η πηγή ηλεκτρικού ρεύματος πρέπει να αποσυνδέεται.

## ΣΥΝΑΡΜΟΛΟΓΗΣΗ ΚΑΙ ΑΠΟΣΥΝΑΡΜΟΛΟΓΗΣΗ ΤΟΥ ΧΑΜΗΛΩΜΕΝΟΥ ΚΕΝΤΡΙΚΑ ΤΡΟΧΟΥ (Εικ. 2)

**ΠΡΟΣΟΧΗ:** Βεβαιωθείτε να κλείσετε και να αποσυνδέσετε τον υποδοχέα από την πρίζα για την αποφυγή σοβαρού ατυχήματος.

### 1. Συναρμολόγηση (Εικ. 2)

- (1) Γυρίστε το γωνιακό τροχό λειάνσεως / κοπής ανάποδα έτσι ώστε ο άξονας να βλέπει προς τα επάνω.
- (2) Ταίριαστε το διάκενο της ροδέλας του τροχού με το εντεταμημένο τμήμα του άξονα, μετά συνδέστε τα.
- (3) Εφαρμόστε το προεξέχων τμήμα του χαμηλωμένου κεντρικά τροχού πάνω στη ροδέλα του τροχού.
- (4) Βιδώστε το παξιμάδι του τροχού πάνω στον άξονα.
- (5) Καθώς σπρώχνεται το κουμπί ώθησης με το ένα χέρι, ασφαλίστε τον άξονα περιστρέφοντας τον χαμηλωμένο κεντρικά τροχό αργά με το άλλο χέρι. Σφίξτε το παξιμάδι του τροχού χρησιμοποιώντας το παρεχόμενο κλειδί όπως φαίνεται στην **Εικ. 2**.

### 2. Αποσυναρμολόγηση

Ακολουθήστε τις παραπάνω διαδικασίες αντίστροφα.

### ΠΡΟΣΟΧΗ

- Επιβεβαιώστε ότι ο χαμηλωμένος κεντρικά τροχός έχει στερεωθεί καλά.
- Επιβεβαιώστε ότι το κουμπί ώθησης έχει απεμπλακεί σπώνωντάς το δυο ή τρεις φορές πριν την εκκίνηση του ηλεκτρικού εργαλείου.

## ΣΥΝΤΗΡΗΣΗ ΚΑΙ ΕΛΕΓΧΟΣ

1. **Έλεγχος του χαμηλωμένου κεντρικά τροχού**  
Βεβαιωθείτε ότι ο χαμηλωμένος κεντρικά τροχός δεν έχει ραγίσματα ή ατέλειες στην επιφάνεια.
2. **Έλεγχος των θιδών στερέωσης**  
Ελέγχετε περιοδικά όλες τις βίδες στερέωσης και βεβαιωθείτε ότι είναι κατάλληλα σφιγμένες. Στην περίπτωση που χαλαρώσει οποιαδήποτε βίδα σφίξτε την ξανά αμέσως. Αν δεν το κάνετε αυτό μπορεί να έχει ως αποτέλεσμα το σοβαρό τραυματισμό.
3. **Έλεγχος στα καρβουνάκια**  
Για την συνεχιζόμενη ασφάλεια σας και την προστασία σας από την ηλεκτροπληξία, ο έλεγχος στα καρβουνάκια και η αντικατάσταση αυτού του εργαλείου πρέπει ΜΟΝΟ να γίνεται από ένα ΕΞΟΥΣΙΟΔΟΤΗΜΕΝΟ ΚΕΝΤΡΟ ΣΕΡΒΙΣ ΤΗΣ HITACHI.
4. **Αντικατάσταση του καλωδίου παροχής ρεύματος**  
Αν το καλώδιο παροχής ρεύματος του Εργαλείου πάθει ζημιά, το Εργαλείο πρέπει να επιστραφεί στο Εξουσιοδοτημένο Κέντρο Εξυπηρέτησης Hitachi για να αντικατασταθεί.
5. **Συντήρηση του μοτέρ**  
Η περιέλιξη της μονάδα του μοτέρ είναι η καρδιά του ηλεκτρικού εργαλείου. Δώστε μεγάλη προσοχή για να σιγουρευτείτε ότι η περιέλιξη δεν θα πάθει ζημιά και / ή θα βρεχθεί με λάδι ή νερό.
6. **Λίστα συντήρησης εξαρτημάτων**  
A: Αρ. Εξαρτήματος  
B: Αρ. Κωδικού  
C: Αρ. Χρήσης  
D: Παρατηρήσεις

### ΠΡΟΣΟΧΗ

Η Επισκευή, τροποποίηση και ο έλεγχος των Ηλεκτρικών Εργαλείων της Hitachi πρέπει να γίνεται από ένα Εξουσιοδοτημένο Κέντρο Σέρβις της Hitachi. Ειδικά για τη συσκευή λείζερ, το σέρβις της πρέπει να γίνεται από ένα εξουσιοδοτημένο αντιπρόσωπο του κατασκευαστή του λείζερ.

Πάντοτε να αναθέτετε την επισκευή της συσκευής λείζερ στο Εξουσιοδοτημένο Κέντρο Σέρβις της Hitachi.

Αυτή η λίστα των Εξαρτημάτων θα είναι χρήσιμη αν δοθεί με το εργαλείο Hitachi στο Εξουσιοδοτημένο Κέντρο Σέρβις της Hitachi κατά την επισκευή ή την συντήρηση.

Κατά την χρήση και την συντήρηση των ηλεκτρικών εργαλείων, οι κανονισμοί ασφαλείας και οι κανόνες που υπάρχουν σε κάθε χώρα πρέπει να τηρούνται.

### ΤΡΟΠΟΠΟΙΗΣΕΙΣ

Τα Ηλεκτρικά Εργαλεία της Hitachi βελτιώνονται συνεχώς και τροποποιούνται για να ενσωματώσουν τα τελευταία τεχνολογικά επιτεύγματα.

Ανάλογα, κάποια σημεία (πχ κωδικοί αριθμοί, και/ή σχεδιασμός) μπορούν να αλλάξουν χωρίς προειδοποίηση.

---

**ΕΓΓΥΗΣΗ**

---

Εγγυώμαστε τα εργαλεία Hitachi Power Tools σύμφωνα με τη νομοθεσία και τους κανονισμούς ανά χώρα. Η παρούσα εγγύηση δεν καλύπτει ελαττώματα ή ζημιές λόγω κακής χρήσης, κακοποίησης ή φυσιολογικής φθοράς. Σε περίπτωση παραπόνων παρακαλούμε αποστείλετε το Power Tool χωρίς να το αποσυναρμολογήσετε μαζί με το ΠΙΣΤΟΠΟΙΗΤΙΚΟ ΕΓΓΥΗΣΗΣ το οποίο βρίσκεται στο τέλος των οδηγιών αυτών, σε Εξουσιοδοτημένο Κέντρο Επισκευής της Hitachi.

---

**ΣΗΜΕΙΩΣΗ:**

Εξαιτίας του συνεχιζόμενου προγράμματος έρευνας και ανάπτυξης της HITACHI τα τεχνικά χαρακτηριστικά που εδώ αναφέρονται μπορούν να αλλάξουν χωρίς προηγούμενη ειδοποίηση.

---

**Πληροφορίες που αφορούν τον εκπεμπόμενο θόρυβο και τη δόνηση**

Οι τιμές μετρήθηκαν σύμφωνα με το EN60745 και βρέθηκαν σύμφωνες με το ISO 4871.

Μέτρηση στάθμης ισχύος ήχου εξισορροπημένου A:  
95 dB(A)

Μέτρηση στάθμης πίεσης ήχου εξισορροπημένου A:  
84 dB(A)

Αβεβαιότητα KpA: 3 dB(A)

Φοράτε προστατευτικά αυτιών.

Μια τυπική τιμή ρίζας μέσης τετραγωνικής επιτάχυνσης:  
4,9 m/s<sup>2</sup>.

---



## OGÓLNE WSKAZÓWKI BEZPIECZEŃSTWA

### OSTRZEŻENIE!

#### Należy przeczytać wszystkie instrukcje

Nieprzestrzeganie któregokolwiek z zamieszczonych poniżej zaleceń może być przyczyną porażenia prądem elektrycznym, pożaru i/lub poważnych obrażeń ciała. Występujące w poniższych ostrzeżeniach wyrażenie "urządzenie elektryczne" oznacza urządzenia zasilane z sieci elektrycznej (za pomocą przewodu) lub baterii (bezprowadowej).

### INSTRUKCJE POWINNY BYĆ ZACHOWANE NA PRZYSZŁOŚĆ

#### 1) Miejsce pracy

##### a) Miejsce pracy powinno być uprzątnięte i czyste.

*W miejscach nieuporządkowanych i źle oświetlonych ryzyko wypadku jest większe.*

##### b) Nie należy używać urządzeń elektrycznych w przypadku zagrożenia wybuchem, na przykład w obecności łatwopalnych płynów, gazów lub pyłów.

*Urządzenia elektryczne wytwarzają iskry, które mogą spowodować zapłon pyłu.*

##### c) Dzieci i osoby postronne nie powinny znajdować się w pobliżu pracującego urządzenia elektrycznego.

*Odwrócenie uwagi użytkownika może spowodować utratę kontroli nad urządzeniem.*

#### 2) Bezpieczeństwo elektryczne

##### a) Wtyczka urządzenia elektrycznego musi być odpowiednia do gniazdka.

*Nigdy nie należy w jakikolwiek sposób przerabiać wtyczki.*

*Nie używać jakichkolwiek elementów łączących z urządzeniami wymagającymi uziemienia.*

*Używanie tylko oryginalnych wtyczek pasujących do gniazdka ogranicza ryzyko porażenia prądem elektrycznym.*

##### b) Unikać kontaktu z przedmiotami uziemionymi, takimi jak rury, kaloryfery, kuchenki i urządzenia chłodnicze.

*W przypadku dotknięcia uziemienia ryzyko porażenia prądem elektrycznym jest większe.*

##### c) Nie narażać urządzeń elektrycznych na działanie deszczu lub wilgoci.

*Przedostanie się wody do urządzenia zwiększa ryzyko porażenia prądem elektrycznym.*

##### d) Odpowiednio używać przewodów zasilających. Nigdy nie wykorzystywać przewodu do przenoszenia lub ciągnięcia urządzenia lub też wyciągania wtyczki z gniazdka.

*Utrzymywanie przewodów z dala od źródeł ciepła, oleju, ostrych krawędzi lub części ruchomych. Uszkodzenie lub nacięcie przewodu zwiększa ryzyko porażenia prądem elektrycznym.*

##### e) Podczas pracy z urządzeniem elektrycznym na wolnym powietrzu należy używać odpowiedniego przedłużacza.

*Używanie przedłużacza przeznaczonego do pracy na wolnym powietrzu zmniejsza ryzyko porażenia prądem elektrycznym.*

#### 3) Bezpieczeństwo osobiste

##### a) Podczas pracy z urządzeniem elektrycznym należy zachowywać koncentrację i planować wykonywane zadania, kierując się zdrowym rozsądkiem.

*Urządzenia elektryczne nie powinny obsługiwać osoby zmęczone lub znajdujące się pod wpływem substancji odurzających, alkoholu lub leków.*

*Chwila nieuwagi podczas pracy z urządzeniem może stać się przyczyną poważnych obrażeń.*

##### b) Używać wyposażenia ochronnego. Zawsze nosić okulary ochronne.

*Używanie wyposażenia ochronnego, takiego jak maski przeciwpyłowe, buty przeciwpoślizgowe, odpowiednie nakrycie głowy i słuchawki ogranicza ryzyko obrażeń ciała.*

##### c) Unikać nieprzewidzianego uruchomienia urządzenia. Przed włożeniem wtyczki do gniazdka upewnić się, że urządzenie jest wyłączone.

*Przenoszenie urządzenia z palcem na wyłączniku lub podłączenie do sieci włączonego urządzenia może spowodować wypadek.*

##### d) Przed włączeniem urządzenia usunąć wszelkiego rodzaju klucze regulacyjne.

*Pozostawienie klucza w ruchomej części urządzenia może spowodować obrażenia.*

##### e) Nie trzymać urządzenia zbyt daleko od siebie. Zachować stabilną pozycję przez cały czas.

*Umożliwia to pełne panowanie nad urządzeniem, nawet w nieoczekiwanych sytuacjach.*

##### f) Nosić odpowiednią odzież. Nie należy nosić luźnych ubrań oraz biżuterii. Utrzymywać włosy, odzież i rękawice z dala od ruchomych części urządzenia.

*Luźne ubrania, biżuteria lub długie włosy mogą zostać wciągnięte przez poruszające się części.*

##### g) Jeżeli urządzenie wyposażone jest w system odprowadzania pyłu, powinien on być założony i właściwie używany.

*Użycie tego rodzaju urządzeń ograniczy zagrożenia związane z gromadzeniem się pyłu.*

#### 4) Obsługa i konserwacja urządzenia

##### a) Nie dociskać urządzenia zbyt mocno. Należy używać tylko właściwego urządzenia, odpowiedniego dla wykonywanej pracy.

*Użycie odpowiedniego urządzenia spowoduje, że praca zostanie wykonana lepiej i bezpieczniej.*

##### b) Nie używać urządzenia elektrycznego, którego wyłącznik jest niesprawny.

*Urządzenie, które nie może zostać wyłączone za pomocą wyłącznika, jest niebezpieczne i musi zostać przeznaczone do naprawy.*

##### c) Przed przystąpieniem do jakichkolwiek prac, jak na przykład wymiana akcesoriów, urządzenie musi zostać wyłączone z sieci. To samo dotyczy przechowywania urządzenia nieużywanego.

*Umożliwi to zmniejszenie ryzyka nieprzewidzianego uruchomienia urządzenia.*

##### d) Urządzenia elektryczne powinny być przechowywane poza zasięgiem dzieci oraz wszelkich osób nie znających zasad funkcjonowania i obsługi tego typu urządzeń. Obsługa urządzeń elektrycznych przez osoby nie znające zasad ich funkcjonowania jest niebezpieczna.

- e) **Wykonywać odpowiednie prace konserwacyjne. Kontrolować prawidłowość ustawienia części ruchomych, ich uszkodzenia i wszelkie inne kwestie, mogące spowodować nieprawidłową pracę urządzenia. Uszkodzone urządzenie powinno zostać natychmiast przekazane do naprawy. Wiele wypadków spowodowane jest niewłaściwą konserwacją urządzeń elektrycznych.**
- f) **Narzędzia tnące powinny być naostrzone i czyste. Odpowiednio naostrzone narzędzia nie będą się wyginać i są łatwiejsze w używaniu.**
- g) **Urządzenie elektryczne, akcesoria, wiertła itd. powinny być używane zgodnie z niniejszymi zaleceniami oraz w sposób odpowiadający wykonywanej pracy, przy uwzględnieniu warunków panujących w otoczeniu. Wykorzystanie urządzenia elektrycznego do pracy, do której nie jest ono przeznaczone, grozi wypadkiem.**
- 5) **Serwis**
- a) **Urządzenie powinno być serwisowane tylko przez osoby posiadające odpowiednie kwalifikacje, przy użyciu wyłącznie identycznych, oryginalnych części zamiennych. Zapewni to utrzymanie pełnego bezpieczeństwa pracy z urządzeniem.**

#### ŚRODKI OSTROŻNOŚCI

- Dzieci i osoby niepełnosprawne nie powinny znajdować się w pobliżu urządzenia. Nieużywane urządzenie powinno być przechowywane w miejscu poza zasięgiem dzieci i osób niepełnosprawnych.**

#### OGÓLNE INSTRUKCJE BEZPIECZEŃSTWA DOTYCZĄCE SZLIFIEREK

- Upewnij się, że prędkość zaznaczona na tarczy jest co najmniej równa prędkości znamionowej szlifierki;
- Upewnij się, że wymiary tarczy ścierniej są odpowiednie dla szlifierki;
- Tarcze ścierne powinny być przechowywane i użytkowane w odpowiedni sposób, zgodnie z zaleceniami producenta;
- Przed przystąpieniem do pracy należy dokładnie sprawdzić tarczę ścierną - nie używaj tarcz wyszczerbionych, pękniętych lub uszkodzonych w jakikolwiek inny sposób;
- Upewnij się, że tarcza ścierna została założona zgodnie z zaleceniami producenta;
- W sytuacjach tego wymagających upewnij się, że zostały założone podkłady dostarczane z wiązanym materiałem ściernym;
- Przed przystąpieniem do pracy upewnij się, że tarcza ścierna jest właściwie zamocowana, a następnie uruchom urządzenie bez obciążenia na 30 s, utrzymując je w bezpiecznym położeniu. Natychmiast zatrzymaj urządzenie, jeżeli pojawią się silne drgania lub zauważysz inne objawy nieprawidłowego działania. W takiej sytuacji należy dokładnie zbadać urządzenie pod kątem możliwych przyczyn problemu;
- Jeżeli wraz z narzędziem dostarczana jest osłona zabezpieczająca, nigdy nie należy przystępować do pracy bez osłony;
- Nie używaj dodatkowych tulei lub łączników, aby dopasować zbyt dużą średnicę otworu tarczy tnącej;
- W przypadku narzędzi przeznaczonych do pracy z tarczami gwintowanymi upewnij się, że długość gwintu otworu tarczy jest wystarczająca dla długości wrzeciona;
- Sprawdź, czy obrabiany przedmiot jest właściwie zamocowany;
- Do szlifowania nie należy używać tarcz tnących;
- Upewnij się, że powstające podczas pracy iskry nie stanowią zagrożenia (na przykład nie spadają na znajdujące się w pobliżu osoby lub materiały łatwopalne);
- W warunkach silnego zapylenia upewnij się, że otwory wentylacyjne nie zostały zatkane. Przed przystąpieniem do usuwania nagromadzonego pyłu wyłącz urządzenie z prądu. Nie używaj przedmiotów metalowych i uważaj, aby nie uszkodzić części wewnętrznych;
- Należy zawsze nosić okulary i słuchawki ochronne. Zalecane jest również noszenie pozostałych elementów wyposażenia ochronnego, takich jak maska przeciwpyłowa, rękawice, kask i fartuch;
- Pamiętaj, że tarcza obraca się jeszcze przez pewien czas po wyłączeniu urządzenia.

#### DANE TECHNICZNE

| Model                               |                                       | G10SR3                           | G12SR3      | G13SR3      |
|-------------------------------------|---------------------------------------|----------------------------------|-------------|-------------|
| Napięcie (w zależności od miejsca)* |                                       | (110V, 120V, 220V, 230V, 240V) ~ |             |             |
| Moc pobierana*                      |                                       | 730 W                            |             |             |
| Prędkość obrotowa bez obciążenia    |                                       | 10000 min <sup>-1</sup>          |             |             |
| Tarcza                              | Zewnętrzna średnica x średnica otworu | 100 × 16 mm                      | 115 × 22 mm | 125 × 22 mm |
|                                     | Prędkość obwodowa                     | 72 m/s                           | 80 m/s      |             |
| Waga Sama główna część (kadłub)     |                                       | 1,4 kg                           |             |             |

\*Sprawdź nazwę produktu, jako że ulega ona zmianie w zależności od miejsca zakupu.

## WYPOSAŻENIE STANDARDOWE

- (1) Klucz ..... 1  
 (2) Boczny uchwyt ..... 1  
 Wyposażenie standardowe może ulec zmianie bez uprzedzenia.

## ZASTOSOWANIE

- Usuwanie żebra odlewniczego i wykończenia różnego typu stali, brązu, i aluminiowych materiałów i odlewów.
- Zeszlifowywanie zespawanych części lub części pociętych palnikiem.
- Zeszlifowywanie syntetycznych żywic, łupka, cegły, marmuru itp.

## PRZED UŻYCIEM

### 1. Źródło mocy

Upewnij się, że źródło mocy jest zgodne z wymogami mocy zaznaczonymi na tabliczce znamionowej.

### 2. Wylłącznik sieciowy

Upewnij się, że wylłącznik jest wylłączony (pozycja OFF). Jeśli wtyczka jest włączona do sieci podczas gdy wylłącznik jest włączony (pozycja ON), narzędzie zacznie działać natychmiast, co może spowodować poważny wypadek.

### 3. Przedłużacz

Kiedy miejsce pracy znajduje się daleko od źródła prądu, użyj przedłużacza o odpowiedniej grubości i mocy. Przedłużacz powinien być najkrótszy jak tylko jest to możliwe.

### 4. Montaż i dopasowanie osłony tarczy

Osłona tarczy to urządzenie zabezpieczające przed zranieniem się w przypadku, gdyby obniżone tarcze środkowe pękły w trakcie pracy. Upewnij się, że osłona jest odpowiednio zamocowana i zaciśnięta przed rozpoczęciem szlifowania. Przez lekkie rozluźnienie śruby regulacyjnej osłona tarczy może być obrócona i ustawiona pod dowolnym kątem w celu uzyskania maksymalnej efektywności pracy. Upewnij się, że śruba regulacyjna jest całkowicie dociśnięta po dopasowaniu osłony tarczy.

### 5. Upewnij się, że osadzone tarcze i dłuta są dopasowane zgodnie z instrukcjami producenta

Upewnij się, że obniżona tarcza środkowa, której zamierzasz użyć jest odpowiedniego typu i nie ma pęknięć bądź uszkodzeń. Także upewnij się, że obniżona tarcza środkowa jest odpowiednio zamocowana i że nakrętka tarczy jest bezpiecznie dociśnięta. Porównaj z punktem instrukcji dotyczącym „SKŁADANIE I ROZKŁADANIE OBNIŻONYCH TARCZ ŚRODKOWYCH”.

Upewnij się że używasz suszki, jeśli jest ona dołączona do urządzenia i jeśli jest wymagana.

Nie używaj oddzielnych pierścieni redukcyjnych ani pośrednich, aby zamocować tarcze z większymi otworami. Jeśli zamierzasz użyć narzędzi z tarczami o otworach gwintowanych, upewnij się że gwinty tarcz są wystarczająco długie, aby wkręcić wrzeczono narzędzia. Nie używaj tarcz szlifierskich tnących do szlifowania bocznego.

### 6. Przeprowadzenie próby

Upewnij się, że urządzenie jest właściwie zamocowane i zaciśnięte zanim go użyjesz, i uruchom narzędzie na biegu jałowym na 30 sekund w bezpiecznej pozycji (safe). Zatrzymaj niezwłocznie, jeśli wystąpi silna vibracja lub jeśli wykryjesz inne defekty. Jeśli wystąpi taka sytuacja, sprawdź urządzenie by znaleźć przyczynę.

### 7. Sprawdź przycisk

Upewnij się, że przycisk jest rozłączony poprzez wciśnięcie go dwa lub trzy razy zanim uruchomisz narzędzie. (zobacz **Rys. 2**).

### 8. Założenie bocznego uchwytu.

Przykręć boczny uchwyt do pokrywy narzędzia.

## PRAKTYCZNE ZASTOSOWANIE SZLIFIERKI

### 1. Nacisk

W celu przedłużenia żywotności maszyny oraz uzyskania wykończenia pierwszej jakości, ważne jest, by nie przeciążyć maszyny przez wywieranie na nią zbyt silnego nacisku.

Przy większości zastosowań ciężar własny maszyny jest wystarczający do skutecznego szlifowania. Zbyt silny nacisk spowoduje ograniczenie prędkości obrotowej, niedoskonałe wykończenie powierzchni i przeciążenie, które może spowodować skrócenie żywotności maszyny.

### 2. Kąt szlifowania

Nie dotykaj całą powierzchnią obniżonej tarczy środkowej do szlifowanego materiału. Jak pokazano w **Rys. 1**, maszyna powinna być trzymana pod kątem 15° – 30°, tak aby zewnętrzny kraniec obniżonej tarczy środkowej stykał się z materiałem pod optymalnym kątem.

### 3. By zapobiec werżnięciu się nowej obniżonej tarczy środkowej w obrabiany przedmiot, początkowe szlifowanie powinno być przeprowadzone przez pociągnięcie szlifierki w poprzek obiektu w kierunku operatora szlifierki (**Rys. 1 kierunek B**). Kiedy już krawędź prowadząca obniżonej tarczy środkowej jest odpowiednio starta, szlifowanie może być prowadzone w dowolnym kierunku.

### 4. Środki ostrożności bezpośrednio po skończeniu pracy.

Tarcza obraca się nadal po wylczeniu narzędzia. Po wylczeniu nie odkładaj maszyny zanim obniżona tarcza nie zatrzyma się całkowicie.

To zabezpieczenie pomoże uniknięcia poważnych wypadków i ograniczy ilość kurzu i opiłków wciągniętych do maszyny.

## OSTRZEŻENIA

- Sprawdź czy obrabiany przedmiot jest odpowiednio umocowany.
- Upewnij się, że otwory wentylacyjne są przepustowe podczas pracy w kurzu. Jeśli koniecznym jest usunięcie kurzu, najpierw rozłącz narzędzie z sieci (nie używaj do tego obiektów z metalu) oraz unikaj uszkodzenia części wewnętrznych.
- Upewnij się, że pojawiające się w trakcie pracy iskry nie powodują zagrożenia, tzn. nie trafiają w ludzi lubi nie podpalają łatwopalnych substancji.
- Zawsze używaj zabezpieczeń oczu i uszu.
- Inny osobisty sprzęt ochronny jak np. maska przeciwpyłowa, rękawice, hełm i fartuch powinny być zakładane w razie potrzeby.
- Jeśli masz wątpliwości, użyj odzieży i sprzętu ochronnego.
- Jeśli maszyna nie jest używana, powinna być wylczona z kontaktu.

## SKŁADANIE I ROZKŁADANIE OBNIŻONYCH TARCZ ŚRODKOWYCH (Rys. 2)

**UWAGA** Upewnij się, że wyłączyłeś włącznik (przełącznik na OFF) oraz wtyczkę z kontaktu aby uniknąć poważnego wypadku.

### 1. Składanie (Rys. 2)

- (1) Przekręć szlifierkę tarczową do góry nogami tak aby wrzeciono było skierowane w górę.
- (2) Ustaw poprzeczne płyty podkładek tarczy w równej linii z naciętą częścią wrzeciona i zamocuj je.
- (3) Zamocuj wypukłą część obniżonej tarczy środkowej na podkładce tarczy.
- (4) Wkręć nakrętkę tarczy na wrzeciono.
- (5) Podczas gdy wciskasz przycisk jedną ręką, drugą ręką umocuj wrzeciono w pozycji pomalą obracając tarczę. Dociśnij nakrętkę tarczy używając załączonego klucza, tak jak widać to na **Rys. 2**.

### 2. Rozłożenie

Użyj powyższych wskazówek tylko w odwrotnej kolejności.

### UWAGA

- Upewnij się, że obniżona tarcza środkowa jest mocno zamocowana.
- Upewnij się, że przycisk jest rozłączony wciskając go dwa lub trzy razy zanim włączysz narzędzie (ON).

## KONSERWACJA I INSPEKCJA

### 1. Sprawdzanie obniżonej tarczy środkowej

Upewnij się, że obniżona tarcza środkowa nie ma pęknięć i defektów powierzchni.

### 2. Sprawdzanie śrub mocujących

Regularnie sprawdzaj wszystkie mocujące śruby i upewnij się, że są mocno przykręcone. Jeśli któraś z nich się obluzuje, natychmiast ją przykręć. Zaniedbanie tego może spowodować poważne zagrożenie.

### 3. Kontrola stanu szczotek węglowych

W celu zapewnienia pełnego bezpieczeństwa użytkownika i ochrony przed porażeniem prądem elektrycznym, kontrola i wymiana szczotek węglowych w tym urządzeniu mogą być przeprowadzane WYŁĄCZNIE przez Autoryzowany Punkt Serwisowy Hitachi.

### 4. Wymiana przewodu zasilającego

Jeżeli przewód zasilający urządzenia został uszkodzony, musi ono zostać przekazane do Autoryzowanego Punktu Serwisowego Hitachi w celu wymiany przewodu.

### 5. Konserwacja silnika

Wirnik silnika jest sercem narzędzia. Zadbaj, by wirnik nie został uszkodzony i nie zawilgotniał lub pokrył się olejem.

### 6. Lista części zamiennych

- A: Nr części
- B: Nr kodu
- C: Ilość użytych części
- D: Uwagi

### UWAGA

Naprawy, modyfikacji i kontroli Narzędzi Elektrycznych Hitachi może dokonywać tylko Autoryzowane Centrum Obsługi Hitachi.

Ta lista części będzie przydatna, jeśli zostanie wręczona Autoryzowanemu Centrum Obsługi Hitachi, gdy zanieśmy narzędzie do naprawy lub przeglądu.

Podczas używania i konserwacji narzędzi elektrycznych należy przestrzegać przepisów i norm bezpieczeństwa danego kraju.

### MODYFIKACJE

Narzędzia elektryczne Hitachi są ciągle ulepszone i modyfikowane w celu wprowadzania najnowszych osiągnięć nauki i techniki.

W związku z tym pewne części (a także numery kodów i konstrukcja) mogą ulec zmianom bez uprzedzenia.

### GWARANCJA

Gwarancja na elektronarzędzia Hitachi jest udzielana z uwzględnieniem praw statutowych i przepisów krajowych. Gwarancja nie obejmuje wad i uszkodzeń powstałych w wyniku niewłaściwego użytkowania lub wynikających z normalnego zużycia. W wypadku reklamacji należy dostarczyć kompletne elektronarzędzie do autoryzowanego centrum serwisowego Hitachi wraz z KARTĄ GWARANCYJNĄ znajdującą się na końcu instrukcji obsługi.

### UWAGA:

W związku z prowadzonym przez Hitachi programem badań i rozwoju, specyfikacje te mogą się zmienić w każdej chwili bez uprzedzenia.

### Informacja dotycząca poziomu hałasu i wibracji

Mierzone wartości było określone według EN60745 i zadeklarowane zgodnie z ISO 4871.

Zmierzony poziom dźwięku A: 95 dB(A)

Zmierzone ciśnienie akustyczne A: 84 dB(A)

Niepewność KpA: 3 dB(A)

Używaj ochraniacza uszu.

Typowa wartość skuteczna przyspieszenia wynosi: 4,9 m/s<sup>2</sup>

## ÁLTALÁNOS BIZTONSÁGTECHNIKAI ELŐÍRÁSOK

### FIGYELEM!

#### **Olvassa végig az utasításokat**

*Az alábbi utasítások be nem tartása áramütést, tüzet és súlyos sérülést okozhat.*

*Az alábbi figyelmeztetésekben szereplő "elektromos szerszámgép" kifejezés az ön - hálózatról üzemeltetett (vezetékes) vagy akkumulátoros (vezeték nélküli) - elektromos szerszámgépére vonatkozik.*

### ŐRIZZE MEG AZ UTASÍTÁSOKAT

#### 1) A munkahely

- a) A munkahelyet tartsa tisztán, és megfelelően világítsa meg.

*A túlzásúfótt és sötét munkahelyek vonzzák a baleseteket.*

- b) Az elektromos szerszámgépeket ne használja robbanásveszélyes légterben, például gyúlékony folyadékok, gázok vagy por mellett.

*Az elektromos szerszámgépek szikrákat bocsáthatnak ki, melyek berobbanthatják a jelenlévő port.*

- c) A szerszámgép működtetése közben tartsa távol a gyermekeket és a körülállókát.

*A figyelemfelvonás a szerszámgép feletti kontroll elvesztését okozhatja.*

#### 2) Érintésvédelem

- a) Az elektromos szerszámgép dugaszának illeszkednie kell a hálózati csatlakozóaljzatba. Semmilyen körülmények között ne módosítsa a dugaszt.

*Ne használjon semmilyen átalakító dugaszt a földelt elektromos szerszámgéppel.*

*A módosítás nélküli dugaszok és a megfelelő aljzatok csökkentik az elektromos áramütés veszélyét.*

- b) Ügyeljen arra, hogy munka közben ne érítsen meg földelt felületeket, pl. csővezetékeket, fűtőtesteket, tűzhelyeket vagy hűtőberendezéseket.

*Ha a kezelő teste földelve van, az áramütés veszélye megnő.*

- c) Az elektromos szerszámgépeket ne tegye ki eső vagy nedvesség hatásának.

*Az elektromos szerszámgépbe kerülő víz növeli az áramütés veszélyét.*

- d) Ne rongálja meg az elektromos csatlakozókábelet. A szerszámgépet ne hordozza a kábelnél fogva, és a villásdugót soha ne a kábelnél fogva húzza ki a dugaszolóaljzatból.

*Védje a kábelt a magas hőmérsékletől, olajtól és az éles sarkoktól.*

*A sérült vagy összegabalyodott vezetékek növelik az elektromos áramütés veszélyét.*

- e) Ha a szabadban kell munkát végeznie, mindig csak az erre a célra alkalmas hosszabbító kábelt használjon.

*A kültéri használatra alkalmas hosszabbító használata csökkenti az elektromos áramütés veszélyét.*

#### 3) A testi épség védelme

- a) Mindig figyeljen oda a végzett munkára. Az elektromos szerszámgéppel végzett munka teljes figyelmet igényel.

Ne használja a készüléket, ha nem érzi kipihentnek magát, ha kábítószert, alkoholt vagy gyógyszer hatása alatt áll.

*Egy pillanatnyi figyelmetlenség is súlyos sérülést okozhat.*

- b) Használjon védőfelszerelést. Mindig használjon védőeszközöket.

*A védőfelszerelések, pl. a pormaszka, a csúszásbiztos biztonsági cipő, a védősisak és a fürdugó használata csökkenti a sérülésveszélyt.*

- c) Kerülje a gép véletlenszerű beindítását. Mielőtt a csatlakozó dugót a dugaszolóaljzatba bedugja, mindig győződjék meg róla, hogy a készülék ki van kapcsolva.

*Ne tartsa újjat az indító kapcsolón, ha hordozza a készüléket, és ne csatlakoztasson bekapcsolt készüléket az áramforrásra.*

- d) Mielőtt a gépet bekapcsolja, mindig ellenőrizze, hogy kivette-e a készülékből a szerszámbeállító- illetve befogókulcsot.

*A forgó alkatrészben maradt szerszámbeállító- vagy befogókulcs személyi sérülést okozhat.*

- e) Ne nyújtsa ki a kezét túl nagy távolságra. Munka közben mindig álljon stabilan, és őrizze meg az egyensúlyát.

*Így a váratlan helyzetekben sem veszti el a szerszám feletti uralmát.*

- f) Viseljen megfelelő munkaruhát. Munka közben ne viseljen bő öltözetet vagy ékszert. Haját, ruházatát és kesztyűjét tartsa távol a mozgó alkatrészekről.

*A bő öltözeteket, ékszerket vagy a hosszú hajat a mozgó alkatrészek elkapathatják.*

- g) Ha a készülék rendelkezik porszivási, illetve -gyűjtési lehetőséggel, ügyeljen rá, hogy azok megfelelően legyenek csatlakoztatva és használva.

*A fenti eszközök használata csökkenti a por okozta veszélyt.*

#### 4) Az elektromos szerszámgép használata és karbantartása

- a) Ne erőltesse a szerszámot. Mindig az alkalmazásnak megfelelő szerszámot használjon. A megfelelő szerszámgép nominális teljesítményszinten jobban és biztonságosabban működik.

- b) Ne használja a szerszámot, ha a kapcsoló azt nem kapcsolja megfelelően be, illetve ki.

*A kapcsolóval nem szabályozható szerszámgép veszélyes, és azt meg kell javítani.*

- c) Mindig húzza ki a dugaszoló aljzatból a csatlakozó dugót, mielőtt a készüléken beállításokat végezne, kicserélné a tartozékokat, vagy mielőtt eltárolná a készüléket.

*A fenti biztonsági óvintézkedések csökkentik a készülék véletlenszerű bekapcsolásának veszélyét.*

- d) A használaton kívüli szerszámokat tárolja gyermekek által nem hozzáférhető helyen, és ne engedje, hogy a készüléket az üzemeltetéshez nem értő személyek használják.

*A gyakorlatlan használó kezében a szerszámgépek különösen nagy veszélyt jelentenek.*

- e) A szerszámgépek karbantartása. Ellenőrizze a mozgó alkatrészek illesztését, rögzítését, az alkatrészek esetleges repedését és minden olyan

tulajdonságot, mely hatással lehet a munkavégzésre.

**Meghibásodás esetén használat előtt javítsa meg a készüléket.**

*A nem megfelelő karbantartás sok balesetet okoz.*

**f) A vágószerszámokat mindig tartsa élesen és tisztán.**

*A megfelelően karbantartott - éles vágóélű-vágószerszámok kisebb eséllyel görbülnek el, és könnyebben irányíthatók.*

**g) Használja a szerszámgépet és a fúrófejeket stb. az utasításoknak és az adott szerszámgép rendeltetésének megfelelően, mindig figyelembe véve a munkakörülményeket és az elvégzendő munka jellegét.**

*A szerszámgép rendeltetéstől eltérő használata veszélyt okozhat.*

**5) Javítás**

**a) A szerszámot csak - eredeti cserealkatrészeket használó - szakképzett személyvel javíttassa.**

*Igy biztosítható a szerszámgép biztonságos üzemeltetése.*

**ÓVINTÉZKEDÉS**

**A gyermekeket és a felügyeletre szoruló személyeket tartsa távol az elektromos szerszámgéptől.**

**A használaton kívüli szerszámgépeket gyermekektől és felügyeletre szoruló személyektől elzárva kell tartani.**

**CSISZOLÓKRA VONATKOZÓ ÁLTALÁNOS BIZTONSÁGI UTASÍTÁSOK**

- Ellenőrizze, hogy a korongon jelzett fordulatszám megegyezik-e vagy nagyobb-e, mint a csiszoló névleges fordulatszáma;
- Győződjön meg róla, hogy a korong méretei kompatibilisak a csiszolóval;
- A csiszolókorongokat a gyártó utasításainak megfelelően gondosan kell tárolni és kezelni;

- Használat előtt ellenőrizze a csiszolókorongot, ne használjon csorba, repedt vagy egyéb módon hibás termékeket;
- Gondoskodjon róla, hogy a felszerelt korongok és pontok a gyártó utasításainak megfelelően illeszkedjenek;
- Gondoskodjon róla, hogy az itatóspapírok használatra kerüljenek, ha azok mellékelve vannak a kötőanyag csiszoló termékekhez, és amikor szükségesek;
- Használat előtt győződjön meg róla, hogy a csiszoló termék helyesen van felszerelve és meghúzva, és biztonságos helyzetben üzemeltesse terhelés nélkül 30 másodpercig a szerszámot, és azonnal állítsa le, ha jelentős rezgést vagy egyéb hibát észlel. Ha ez a körülmény fordul elő, ellenőrizze a gépet az ok meghatározásához;
- Ha a szerszám védőfedéllel van felszerelve, soha ne használja a szerszámot a védőfedél nélkül;
- Ne használjon külön szűkítő perselyeket vagy adaptereket a nagy lyukű csiszolókorongok illesztésére;
- Azoknak a szerszámoknak az esetén, amelyeket menetes furatú koronggal történő felszerelésre szántak, győződjön meg róla, hogy a korongban a menet elegendően hosszú ahhoz, hogy befogadja az orsó hosszát;
- Ellenőrizze, hogy a munkadarab megfelelően alá van támasztva;
- Ne használjon vágókorongot oldalsó csiszolásra;
- Gondoskodjon róla, hogy a használat közben keletkező szikrák ne okozzanak veszélyt, pl. ne találjanak el személyeket, vagy ne gyújtsanak fel éghető anyagokat;
- Gondoskodjon róla, hogy a szellőzőnyílások szabadon maradjanak, amikor poros körülmények között dolgozik, ha szükségessé válna a portól való megtisztítás, először csatlakoztassa le a szerszámot a hálózatról (használon nemfémes tárgyakat), és kerülje el a belső részek megsértését;
- Mindig használjon szem- és fülvédőt. Viseljen egyéb személyi védőfelszerelést is, mint például porálarcot, kesztyűt, sisakot és kötényt;
- Figyeljen rá, hogy a korong tovább forog, miután a szerszám lekapcsolásra került.

**MŰSZAKI ADATOK**

|                                |                             |                                  |             |             |
|--------------------------------|-----------------------------|----------------------------------|-------------|-------------|
| Modell                         |                             | G10SR3                           | G12SR3      | G13SR3      |
| Feszültség (terület szerinti)* |                             | (110V, 120V, 220V, 230V, 240V) ~ |             |             |
| Névleges teljesítményfelvétel* |                             | 730 W                            |             |             |
| Üresjáratú fordulatszám        |                             | 10000 min <sup>-1</sup>          |             |             |
| Tárcsa                         | Külső átmérő x Furat átmérő | 100 x 16 mm                      | 115 x 22 mm | 125 x 22 mm |
|                                | Kerületi sebesség           | 72 m/s                           | 80 m/s      |             |
| Súly (Csak maga a készülék)    |                             | 1,4 kg                           |             |             |

\*Ne felejtse el ellenőrizni a típus táblán feltüntetett adatokat, mivel ezek eladási területenként változnak!

**MŰSZAKI ADATOK**

- (1) Csavarkulcs ..... 1
  - (2) Oldalfogantyú ..... 1
- A standard tartozékok előzetes tájékoztatás nélkül változhatnak.

**ALKALMAZÁSOK**

- Különböző acél-, bron-, és alumínium anyagok valamint öntvények öntési sorjáinak eltávolítása, illetve az ilyen anyagok felületi megmunkálása.
- Hegesztett, vagy lángvágással vágott profilok köszörülése.
- Műgyanták, pala, téglá, márvány, stb. csiszolása.

## AZ ÜZEMBEHELYEZÉS ELŐTTI TENNIVALÓK

### 1. Áramforrás

Ügyeljen rá, hogy a készülék adattábláján feltüntetett feszültség értéke megegyezzen az alkalmazni kívánt hálózati feszültséggel.

### 2. Hálózati kapcsoló

Ügyeljen rá, hogy a hálózati kapcsoló KI állásba legyen kapcsolva. Ha a csatlakozódugót úgy csatlakoztatja a dugaszolóaljzatba, hogy közben a hálózati kapcsoló BE állásban van, a kéziszerszám azonnal működésbe lép, ami súlyos balesetet idézhet elő.

### 3. Hosszabbító vezeték

Ha a munkaterület az áramforrástól távol található, akkor egy megfelelő keresztmetszetű és teljesítményű hosszabbító vezeték kell alkalmazni. A hosszabbító vezetéknek a lehető legközelebb kell lennie.

### 4. A tárcsavédő felszerelése és beállítása

A tárcsavédő egy balesetvédelmi eszköz, ami a sülyesztett közepű tárcsa üzemelés közbeni szétrobbanása esetén a személyi sérülések ellen nyújt védelmet. A köszörülés megkezdése előtt ellenőrizze, hogy a tárcsavédő megfelelően fel legyen szerelve és a helyére legyen rögzítve.

A lehető legjobb működési hatékonyság érdekében a tárcsavédő a rögzítő csavar kismértékű fellazítása után elfordítható, és tetszés szerinti szögbe állítható. Ügyeljen rá, hogy a tárcsavédő beállítása után a rögzítőcsavar erősen meg legyen húzva.

### 5. Ügyeljen rá, hogy a tárcsák és rögzítőelemek a gyártó utasításainak megfelelően legyenek a helyükre szerelve. Ellenőrizze, hogy az alkalmazott sülyesztett közepű tárcsa megfelelő típusú legyen, és ne tartalmazzon repedéseket illetve felületi hibákat. Ugyancsak ellenőrizze, hogy a sülyesztett közepű tárcsa megfelelő módon legyen felszerelve, és a tárcsarögzítő anya megfelelően meg legyen húzva. Lásd a „A SÜLLYESZTETT KÖZEPŰ TÁRCSA ÖSSZESZERELÉSE ÉS SZÉTSZERELÉSE” című fejezetet.

Ügyeljen rá, hogy a kötőanyaggal készített köszörűfejhez esetleg mellékelt felitató anyag szükség szerint alkalmazva legyen.

Ne használjon külön szűkítő betéteket illetve adaptereket a nagyobb furatú köszörűtárcsák felszereléséhez.

A menetes furatú tárcsákat alkalmazó kéziszerszámoknál ügyeljen arra, hogy a tárcsában levő menet elég hosszú legyen a tengely hosszának megfelelően.

### 6. Próbaköszörülés végrehajtása

Használat előtt ellenőrizze, hogy a köszörűfej megfelelően fel van-e szerelve és rögzítve, majd a biztonság helyzetben tartott kéziszerszámot terhelés nélkül futtassa 30 másodpercig. Azonnal állítsa le a kéziszerszámot, ha nagymértékű vibrációt, vagy más rendellenességet tapasztal.

Ilyen esetben ellenőrizze le a gépet annak kiderítéséhez, hogy mi okozta a rendellenességet.

### 7. A nyomógomb működésének ellenőrzése

A kéziszerszám bekapcsolása előtt a nyomógomb kétszer-háromszor történő megnyomásával ellenőrizze, hogy a nyomógomb szabadon kikapcsol-e (lásd 2. Ábra).

### 8. Az oldalfogantyú felszerelése

Csavarja az oldalfogantyút a hajtóműház fedelére.

## A KÉZIKÖSZÖRŰ GYAKORLATI KEZELÉSE

### 1. Nyomás

A gép élettartamának meghosszabbítása, valamint a minőségi munkavégzés érdekében fontos, hogy a gép ne legyen túlterhelve a túlságosan erős nyomás kifejtése miatt. A legtöbb esetben a gép saját súlya elegendő a hatékony köszörülés eléréséhez. A túl nagy nyomás kifejtése csökkent fordulatszámot, rosszabb minőségű felületet, és a gép élettartamának csökkenéséhez vezető túlterhelést okoz.

### 2. Köszörülési szög

A sülyesztett közepű köszörűtárcsának ne fektesse fel a teljes felületét a köszörülendő munkadarabhoz. Amint az az 1. Ábrán látható, a gépet 15° – 30° szögben kell tartani úgy, hogy a sülyesztett közepű tárcsa külső éle optimális szögben érintkezzen a munkadarabbal.

### 3. Annak megakadályozására, nehogy egy új sülyesztett közepű tárcsa bemarja a munkadarabot, a köszörülést kezdetben úgy kell végezni, hogy a köszörűt a munkadarabon keresztben a gép kezelője felé kell húzni (1. Ábra, B irány). Ha a sülyesztett közepű tárcsa éle megfelelő mértékben lekopott, a köszörülést bármelyik irányban lehet végezni.

### 4. A közvetlenül a felületi megmunkálás után betartandó óvintézkedések

A tárcsa a kéziszerszám kikapcsolása után még tovább forog.

Kikapcsolás után ne tegye le a gépet mindaddig, amíg a sülyesztett közepű tárcsa teljesen le nem állt. A súlyos balesetek veszélyének az elkerülése mellett ilyen módon csökken a munkahelyen a por mértéke, és a gép által beszívott reszelékek mennyisége.

### ÖVINTÉZKEDÉSEK

- Ellenőrizze, hogy a munkadarab megfelelően alá legyen támasztva.
- Ügyeljen rá, hogy poros helyen történő munkavégzés esetén szabadon maradjanak a szellőztető nyílások. Amennyiben a felgyülemllett port el kell távolítani, először húzza ki a gép csatlakozódugóját a hálózati dugaszolóaljzathoz (használon valamilyen nem fémből készült tárgyat), és ügyeljen rá, nehogy megsérüljenek a gép belső alkatrészei.
- Ügyeljen rá, hogy a használat során keletkező szikrák ne idézzenek elő veszélyes helyzetet (pl. ne repüljenek emberek közé, illetve ne gyújtsanak be valamilyen gyúlékony anyagot).
- Mindig viseljen valamilyen szem- illetve fülvédő eszközt. Szükség esetén más személyi munkavédelmi eszközöket, pl. porvédő álarcot, kesztyűt, védősisakot, valamint kötényt is viselni kell. Ha nem biztos benne, hogy egy adott védőfelszerelésre szükség van-e, a biztonság kedvéért mégis használja azt.
- Ha a gépet nem használják, a csatlakozódugót ki kell húzni a hálózati dugaszolóaljzathoz.

## A SÜLLYESZTETT KÖZEPŰ TÁRCSA ÖSSZESZERELÉSE ÉS SZÉTSZERELÉSE (2. Ábra)

**FIGYELEM:** A súlyos sérülések elkerülése érdekében ügyeljen rá, hogy a gép KI legyen kapcsolva, és a csatlakozódugó ki legyen húzva a hálózati dugaszolóaljzatból.

### 1. Összeszerelés (2. Ábra)

- (1) Fordítsa a kézi köszörűgépet a hátoldalára, hogy a tengely felfelé nézzen.
- (2) Állítsa a tárcsa alátétének lapos részét a tengely bevágott részéhez, és illessze össze őket.
- (3) Illessze a süllyesztett közepű tárcsa kidudorodását a tárcsa alátétére.
- (4) Csavarja a tengelyre a tárcsarögzítő anyát.
- (5) A nyomógomb egyik kézzel történő megnyomása mellett reteszelve helyére a tárcsát úgy, hogy közben a másik kezével lassan elforgatja a süllyesztett közepű tárcsát. A mellékelt csavarkulccsal a **2. Ábrán** látható módon húzza meg a tárcsarögzítő anyát.

### 2. Szétszerelés

Kövesse a fenti eljárást, fordított sorrendben.

#### FIGYELMEZTETÉSEK

- Ellenőrizze, hogy a süllyesztett közepű tárcsa szilárdan a helyére legyen szerelve.
- A kéziszerszám bekapcsolása előtt a nyomógomb kétszer-háromszor történő megnyomásával ellenőrizze, hogy a nyomógomb szabadon kikapcsol-e.

## ELLENŐRZÉS ÉS KARBANTARTÁS

### 1. A süllyesztett közepű tárcsa ellenőrzése

Ellenőrizze, hogy a süllyesztett közepű tárcsán ne legyenek repedések vagy egyéb felületi sérülések.

### 2. A rögzítő csavarok ellenőrzése

Rendszeresen ellenőrizzen minden rögzítő csavart, és ügyeljen rá, hogy azok megfelelően meg legyenek szorítva. Minden meglazult csavart azonnal szorítson meg. Ennek elhanyagolása súlyos veszélyeket hordoz magában.

### 3. A szénkefék ellenőrzése

A tartós biztonság és a megfelelő érintésvédelem érdekében a szerszám gép szénkeféinek ellenőrzését és cseréjét KIZÁRÓLAG a Hitachi Szerződéses Szerviz Központ végezheti.

### 4. A hálózati kábel cseréje

Ha a szerszám gép hálózati kábele megrongálódik, akkor azt csere céljából vissza kell juttatni a Hitachi Szerződéses Szerviz Központba.

### 5. A motor karbantartása

A motor tekeréscselése az elektromos szerszám „szíve”. Gondosan ügyeljen rá, hogy a tekeréscselés ne sérüljön, illetve ne kerüljön kapcsolatba olajjal vagy vízzel.

### 6. Szervizelési alkatrészlista

- A: Alkatrész-szám
- B: Kódszám
- C: Használt darabszám
- D: Megjegyzések

#### FIGYELEM

Hitachi kéziszerszámok javítását, módosítását és ellenőrzését csak Hitachi Szakszerviz végezheti. Javítás vagy egyéb karbantartás esetén hasznos ha ezt a szerviz-alkatrész listát a szerszámmal együtt átadjuk a Hitachi szakszerviznek.

A kéziszerszámok üzemeltetése és karbantartása során be kell tartani az egyes országokban érvényben lévő biztonsági rendelkezéseket és szabványokat.

#### MÓDOSÍTÁSOK

A Hitachi kéziszerszámok állandó tökéletesítéseken mennek át, hogy alkalmazni tudják a legújabb műszaki fejlesztések eredményeit.

Éppen ezért egyes alkatrészek (azok kódszámai illetve kiviteli módjai) előzetes bejelentés nélkül megváltozhatnak.

#### GARANCIA

A Hitachi Power Tools szerszámokra a törvényes/országos előírásoknak megfelelő garanciát vállalunk. A garancia nem vonatkozik a helytelen vagy nem rendeltetésszerű használatból, továbbá a normál mértékűnek számító elhasználódásból, kopásból származó meghibásodásokra, károokra. Reklamáció esetén kérjük, küldje el a - nem szétszerelt - szerszámot a kezelési útmutató végén található GARANCIA BIZONYLATTAL együtt a hivatalos Hitachi szervizközpontba.

#### MEGJEGYZÉS:

A HITACHI folyamatos kutatási és fejlesztési programja következtében az itt szereplő műszaki adatok előzetes bejelentés nélkül változhatnak.

#### A környezeti zajra és vibrációra vonatkozó információk

A mért értékek az EN60745 szabványnak megfelelően kerültek meghatározásra és az ISO 4871 alapján kerülnek közzétételre.

Mért A-súlyozású hangteljesítményszint: 95 dB(A)

Mért A-súlyozású hangnyomásszint: 84 dB(A)

Bizonytalanság KpA: 3 dB(A)

Viseljen hallásvédelmi eszközt.

A jellemző súlyozott gyorsulás négyzetes középértéke: 4,9 m/s<sup>2</sup>



## VŠEOBECNÉ BEZPEČNOSTNÍ PŘEDPISY

### UPOZORNĚNÍ!

#### Prostudujte si všechny pokyny

Nedodržování všech níže uvedených pokynů může způsobit úraz elektrickým proudem, vznik požáru a/nebo vážné zranění. Pojem "elektrické nářadí" ve všech níže uvedených upozorněních se vztahuje na elektricky poháněné nářadí připojené (pomocí přívodní šňůry) k elektrické síti nebo na elektrické (bezšňůrové) nářadí poháněné akumulátorem.

### DODRŽUJTE TYTO POKYNY

#### 1) Pracovní prostor

- Udržujte pracovní prostor v čistotě a zajistěte jeho dobré osvětlení.**  
*Neuspořádaný pracovní prostor a neosvětlené plochy mohou být příčinou nehod.*
- Neprovozujte elektrické nářadí ve výbušných prostředích, jako je například prostor s výskytem hořlavých kapalin, plynů nebo prachu.**  
*Při provozu elektrického nářadí vznikají jiskry, které mohou vznítit prach nebo výpar.*
- Zajistěte, aby se při provozu elektrického nářadí nezdržovaly v blízkosti dětí nebo okolostojící osoby.**  
*Odvedení pozornosti může způsobit ztrátu kontroly nad nářadím.*

#### 2) Elektrická bezpečnost

- Zástrčky elektrického nářadí musí odpovídat používané zásuvce.**  
*Nikdy jakýmkoli způsobem neupravujte zástrčku. Nepoužívejte jakékoli rozvodné zástrčky s uzemněným (ukostřeným) elektrickým nářadím. Přívodní neupravené zástrčky a vhodné zásuvky snižují nebezpečí úrazu elektrickým proudem.*
- Vyvarujte se kontaktu s uzemněnými nebo ukostřenými plochami, jako jsou např. trubky, radiátory, sporáky a chladničky.**  
*Vzniká zvýšené nebezpečí úrazu elektrickým proudem, pokud je Vaše tělo uzemněné nebo ukostřené.*
- Nevystavujte elektrické nářadí dešti nebo mokřým podmínkám.**  
*Voda, která vnikne do elektrického nářadí, zvyšuje nebezpečí úrazu elektrickým proudem.*
- Nezacházejte s přívodní šňůrou nevhodným způsobem. Nikdy nepoužívejte přívodní šňůru pro nošení, tahání nebo vypořádání elektrického nářadí.**  
*Zajistěte, aby se přívodní šňůra nedostala do kontaktu se zdroji tepla, olejem, ostrými hranami nebo pohybujícími se částmi. Poškozené nebo zauzlené přívodní šňůry zvyšují nebezpečí úrazu elektrickým proudem.*
- Při práci s elektrickým nářadím ve vnějších prostorech používejte prodlužovací šňůru vhodnou pro venkovní použití.**  
*Použití přívodní šňůry vhodné pro venkovní prostředí snižuje nebezpečí úrazu elektrickým proudem.*

#### 3) Bezpečnost osob

- Buďte při práci vždy pozorní, sledujte prováděnou práci a během práce s elektrickým nářadím postupujte rozumně.**  
*Nepoužívejte elektrické nářadí v případě únavy nebo pod vlivem drog, alkoholu nebo léků.*

*Pouhý okamžik nepozornosti při práci s elektrickým nářadím může způsobit vážné zranění.*

- Používejte ochranné pomůcky. Vždy používejte ochranu zraku.**  
*Ochranné pomůcky, jako jsou protiprachová maska, obuv s neklouzavou úpravou podrážky, ochranná přilba nebo chrániče sluchu použité pro vhodné podmínky sniží nebezpečí zranění.*
- Zajistěte, aby nedošlo k náhodnému spuštění nářadí. Zabezpečte, aby vypínač byl před zapojením do sítě v poloze vypnuto.**  
*Nošení elektrického nářadí s prstem na vypínači a připojování elektrického nářadí s vypínačem v poloze zapnuto může způsobit nehody.*
- Před zapnutím elektrického nářadí vymontujte všechny seřizovací klíče.**  
*Klíč upevněný na otáčející se části elektrického nářadí může způsobit zranění osob.*
- Zajistěte náležitou stabilitu při práci. Během práce je třeba vždy zaujmout náležitý a stabilní postoj.**  
*Tim se dosáhne lepšího ovládnutí elektrického nářadí v neočekávaných situacích.*
- Při práci používejte vhodný oděv. Nepoužívejte volný oděv nebo šperky. Zajistěte, aby se Vaše vlasy, oděv nebo rukavice nedostaly do kontaktu s pohybujícími se částmi nářadí.**  
*Volný oděv, šperky nebo dlouhé vlasy se mohou zachytit do pohybujících se částí.*
- Pokud se používají zařízení pro připojení odsávání prachu a sběrných zařízení, zajistěte jejich správné zapojení a použití.**  
*Používejte tato zařízení pro snížení nebezpečí, která vznikají v prашném prostředí.*
- Použití a ošetřování elektrického nářadí**
  - Netlačte na elektrické nářadí. Pro Váš způsob použití zvolte správné elektrické nářadí.**  
*Správné elektrické nářadí provede práci lépe a bezpečněji rychleji, pro které bylo konstruováno.*
  - Nepoužívejte elektrické nářadí, pokud vypínač není funkční.**  
*Jakékoli elektrické nářadí, které nelze ovládat vypínačem, je nebezpečné a je třeba je opravit.*
  - Při provádění jakýchkoli nastavení, změně příslušenství nebo uskládování elektrického nářadí odpojte vždy zástrčku ze zdroje energie.**  
*Tato preventivní bezpečnostní opatření snižují nebezpečí náhodného uvedení elektrického nářadí do chodu.*
  - Uložte nepoužívané elektrické nářadí mimo dosah dětí a nedovoďte, aby osoby, které nejsou seznámeny s provozem elektrického nářadí a s těmito pokyny, toto elektrické nářadí používaly.**  
*Elektrické nářadí je v rukou nevyškoleného uživatele nebezpečné.*
  - Provádějte údržbu elektrického nářadí. Zkontrolujte elektrické nářadí, zda je správně seřízené nebo nedochází k vážnutí chodu pohybujících se částí, zda nejsou nějaké části poškozené a zda nevznikly jakékoli jiné poruchy, které mohou negativně ovlivnit provoz elektrického nářadí.**  
*V případě poškození si nechejte elektrické nářadí před použitím opravit.*

Velký počet nehod je způsobeno nedostatečnou údržbou elektrického nářadí.

**f) Udržujte řezné nástroje ostré a čisté.**

Správným způsobem udržované řezné nástroje s ostrými břity mají menší sklon k uváznutí a snadněji se při práci ovládají.

**g) Používejte elektrické nářadí, příslušenství, nástavce nástroje atd. ve shodě s těmito předpisy a způsobem stanoveným pro jednotlivý typ elektrického nářadí a přitom zohledněte pracovní podmínky a druh prováděné práce.**

Použití elektrického nářadí pro práce odlišné od stanoveného účelu použití může způsobit nebezpečné situace.

**5) Servis**

**a) Nechejte si provádět servis Vašeho elektrického nářadí kvalifikovanými opraváři a přitom používejte jen originální náhradní díly.**

Tím se zajistí zachování bezpečnosti elektrického nářadí.

**PREVENTIVNÍ OPATŘENÍ**

Zajistěte, aby děti a nemocné osoby se nezdržovaly v blízkosti.

Použití se nářadí nepoužívá, je třeba je uskladnit mimo dosah dětí a nemocných osob.

**VŠEOBECNÉ BEZPEČNOSTNÍ PŘEDPISY PRO BRUSKY**

- Zkontrolujte, zda otáčky uvedené na kotouči jsou stejné nebo vyšší než jmenovité otáčky brusky.
- Přesvědčte se, že rozměry kotouče odpovídají brusce.
- Brusné kotouče je třeba skladovat a zacházet s nimi opatrně podle pokynů výrobce.

- Před použitím zkontrolujte brusný kotouč. Nepoužívejte poškozené, prasklé nebo vadné kotouče.
- Ujistěte se, že namontované kotouče a hroty jsou upevněny podle pokynů výrobce.
- Zajistěte, aby se v případě potřeby používaly podkladové kotouče s nalepeným abrazivním materiálem.
- Zajistěte, aby byl brusný kotouč před zahájením práce správným způsobem namontován a dotažen, a nechejte nářadí v chodu bez zatížení po dobu 30 vteřin v bezpečné poloze. Nářadí okamžitě vypněte, pokud dochází ke značným vibracím nebo zjistíte-li jiné závady. Nastane-li tato situace, zkontrolujte nářadí pro zjištění příčiny.
- Je-li součástí výbavy ochranný kryt, nikdy nepoužívejte nářadí bez tohoto krytu.
- Nepoužívejte samostatná redukční pouzdra nebo adaptéry pro přizpůsobení velkého otvoru brusným kotoučům.
- Pro nářadí určené pro montáž pomocí závitového otvoru zajistěte, aby byl závit v brusném kotouči dostatečně dlouhý a odpovídal tak délce vřetena.
- Zkontrolujte, zda je zpracovávaný materiál náležitým způsobem podepřený.
- Nepoužívejte řezací kotouč pro boční broušení.
- Zajistěte, aby jiskry vznikající při broušení nebyl příčinou nebezpečných situací, např. nesměřujte jiskry na osoby nebo na hořlavé látky.
- Zajistěte, aby byly ventilační otvory při práci v prašném prostředí udržovány v čistotě, je-li potřebné odstranit prach, nejdříve odpojte nářadí od síťového přívodu (používejte nekovové předměty) a vyvarujte se poškození vnitřní části.
- Vždy používejte ochranu zraku a sluchu. Je třeba používat také ostatní osobní ochranné pomůcky, jako je protiprachová maska, rukavice, helma a štít.
- Mějte na paměti, že brusný kotouč po vypnutí nářadí dohřívá.

**PARAMETRY**

| Model                   | G10SR3                           | G12SR3      | G13SR3                       |
|-------------------------|----------------------------------|-------------|------------------------------|
| Napětí (podle oblastí)* | (110V, 120V, 220V, 230V, 240V) ~ |             |                              |
| Vstupní příkon*         | 730 W                            |             |                              |
| Rychlost bez zatížení   | 10000 min <sup>-1</sup>          |             |                              |
| Kotouč                  | Vnější průměr × průměr otvoru    | 100 × 16 mm | 115 × 22 mm      125 × 22 mm |
|                         | Obvodová rychlost                | 72 m/s      | 80 m/s                       |
| Váha (Pouze bruska)     | 1,4 kg                           |             |                              |

\*Zkontrolujte, prosíme, štítek na výrobku. Štítek podléhá změnám v závislosti na oblastech použití.

**STANDARDNÍ PŘÍSLUŠENSTVÍ**

- (1) Klíč ..... 1
  - (2) Vysouvací držadlo ..... 1
- Standardní příslušenství podléhá změnám bez upozornění.

**POUŽITÍ**

- Odstranění nerovností na odlitcích a povrchová úprava různých ocelových, bronzových a hliníkových materiálů a odlítků.
- Broušení svařenců nebo povrchů po řezání plamenem.
- Broušení syntetických pryskyřic, břidlice, cihel, mramoru apod.

**PŘED POUŽITÍM**

- 1. Zdroj elektřiny**  
Ujistěte se, že elektrický zdroj odpovídá požadavkům uvedeným na štítku výrobku.
- 2. Spínač**  
Ujistěte se, že spínač je v poloze VYPNUTO (OFF). Pokud je zařízení připojeno ke zdroji elektrického proudu a spínač je v poloze ZAPNUTO (ON), nástroj začne okamžitě pracovat a to může vést k vážnému úrazu.
- 3. Prodlužovací šňůra**  
Pokud je pracoviště vzdáleno od zdroje elektrického

proudu, použijte prodlužovací šňůru o dostatečné tloušťce a kapacitě. Dbejte na to, aby prodlužovací šňůra byla co nejkratší.

#### 4. Instalace a nastavení krytu kotouče

Kryt kotouče je ochranný prostředek v případě, že dojde k roztržení brusného kotouče během práce.

Ujistěte se, že kryt je správně nastaven a připraven před tím, než začnete brousit.

Kryt lze nastavit do požadované polohy uvolněním stavěcího šroubu a natočením krytu do požadovaného úhlu tak, aby se dosáhlo maximální efektivity. Ujistěte se, že stavěcí šroub je řádně utažen po nastavení krytu.

#### 5. Ujistěte se, že nainstalované kotouče a hroty jsou nastaveny v souladu s instrukcemi výrobce.

Ujistěte se, že středově vtačený kotouč je správného typu a je bez trhlin nebo povrchových vad. Také se ujistěte, že brusný kotouč je správně nainstalován, a že matka kotouče je utažena - viz kapitola „MONTÁŽ A DEMONTÁŽ BRUSNÉHO KOTOUČE“.

Ujistěte se, že jsou použity podložky u výrobků s nalepeným brusivem a kdykoliv je to požadováno. Nepoužívejte zvláštní vložky nebo redukce pro upnutí kotoučů s většími otvory.

U nástrojů, které vyžadují kotouče se závitem, se ujistěte, že délka závitu v kotouči odpovídá délce závitu na hřídeli. Nepoužívejte řezací kotouče pro broušení.

#### 6. Pokusné broušení

Ujistěte se, že brusný nástroj je před použitím správně nainstalován a utažen. Zapněte brusku a nechte ji volně běžet v bezpečné poloze po dobu 30ti vteřin. Pokud cítíte silné vibrace nebo zjistíte další závady, okamžitě brusku zastavte.

Pokud tato situace nastane, zjistěte příčinu.

#### 7. Potvrzení funkce tlačítka

Ujistěte se, že tlačítko je vypnuto tak, že jej dvakrát nebo třikrát stlačíte před tím, než brusku vypnete - viz Obr. 2.

#### 8. Přípevnění bočního držadla

Přišroubujte boční držadlo ke krytu převodovky.

## PRAKTICKÉ POUŽITÍ BRUSKY

#### 1. Tlak

Zařízení nesmí být přetíženo přílišným tlakem, aby se prodloužila jeho životnost a zaručila vysoká kvalita broušení. Pro efektivní broušení postačí ve většině případů tlak vyvozený vlastní vahou zařízení. Příliš vysoký tlak vede ke snížení otáček, podřadné kvalitě povrchu a přetížení, které snižuje životnost zařízení.

#### 2. Brusný úhel

Neaplikujte celý povrch brusného kotouče na broušený materiál. Bruska má svírat úhel s povrchem 15 – 30 stupňů tak, aby vnější okraj brusného kotouče byl v kontaktu s materiálem pod optimálním úhlem - Obr. 1.

#### 3. Aby se zabránilo zarežavání nového brusného kotouče do materiálu, je třeba provést počáteční broušení pohybem brusky přes broušený kus směrem k obsluze - Obr. 1, směr B. Jakmile je brusný okraj kotouče správně opotřeben, lze brousit v obou směrech.

#### 4. Upozornění na situaci ihned po ukončení brusné operace

Kotouč se nadále otáčí i po vypnutí zařízení. Po vypnutí brusky ji neodkládejte, dokud se brusný kotouč úplně nezastaví. Kromě zamezení vážnému zranění zabrání tento postup tvorbě prachu a jeho nasadí do brusky.

## POZOR

- Zajistěte, aby byl materiál správně upnut.
- Zajistěte, aby větrací otvory byly volné, pracujete-li v prašném prostředí. Pokud musíte očistit prach, odpojte nejprve zařízení od zdroje elektrického proudu (použijte nekovové předměty) a dejte pozor, abyste nepoškodili vnitřní součástky.
- Zajistěte, aby jiskry, které vznikají při použití, nezpůsobovaly riziko jako například kontakt s obsluhou nebo vznícení hořlavých materiálů.
- Vždy chraňte oči a sluch. V případě nutnosti použijte další osobní ochranné pomůcky jako jsou rukavice, zástěra a přilba. Pokud máte pochybnosti, vždy raději volte ochranné pomůcky.
- Pokud zařízení nepoužíváte, odpojte jej od zdroje elektrického proudu.

## MONTÁŽ A DEMONTÁŽ BRUSNÉHO KOTOUČE (Obr. 2)

**POZOR** Ujistěte se, že spínač je v poloze VYPNUTO a zařízení je odpojeno od zdroje elektrického proudu, aby se předešlo vážnému úrazu.

#### 1. Montáž (Obr. 2)

- (1) Otočte brusku do opačné polohy tak, aby hřídel směřovala nahoru.
- (2) Vyrovnajte plochou část podložek kotouče se zářezem na hřídeli a nasadte je.
- (3) Umístěte výčnělek na brusného kotouči do podložky kotouče.
- (4) Našroubujte matku kotouče na hřídel.
- (5) Jednou rukou tlačte na tlačítko a druhou rukou uzamkněte hřídel tak, že pomalu brusného kotoučem. Utáhněte matku kotouče přiloženým klíčem - Obr. 2.

#### 2. Demontáž

Aplikujte postup uvedený v části „Montáž“ v opačném pořadí.

## POZOR

- Ujistěte se, že brusný kotouč je pevně nainstalován.
- Ujistěte se, že tlačítko je vypnuto tak, že jej dvakrát nebo třikrát stlačíte před tím, než brusku zapnete.

## ÚDRŽBA A KONTROLA

#### 1. Kontrola brusného kotouče.

Ujistěte se, že brusný kotouč je bez trhlin a povrchových vad.

#### 2. Kontrola šroubů

Pravidelně zkontrolujte všechny šrouby a ujistěte se, že jsou správně utažené. Pokud najdete některé šrouby uvolněné, ihned je utáhněte. Neutažené šrouby mohou vést k vážnému riziku.

#### 3. Kontrola uhlíkových kartáčků

Za účelem Vaší trvalé bezpečnosti a ochrany proti úrazu elektrickým proudem by mělo kontrolu uhlíkových kartáčků a jejich výměnu na tomto nářadí provádět POUZE Autorizované Servisní Středisko firmy Hitachi.

#### 4. Výměna přívodní kabelu

Pokud dojde k poškození přívodního kabelu nářadí, je třeba nářadí zaslat do Autorizovaného Servisního Střediska firmy Hitachi pro provedení výměny kabelu.

#### 5. Údržba motoru

Vinuti motoru je srdce elektrického zařízení. Ujistěte se, že vinuti není poškozené nebo vlhké vodou nebo olejem.

**6. Seznam servisních položek**

- A: Číslo položky
- B: Kód položky
- C: Číslo použití
- D: Poznámky

**POZOR**

Opravy, modifikace a kontroly zařízení Hitachi musí provádět Autorizované servisní středisko Hitachi.

Tento seznam servisních položek bude užitečný, předložíte-li jej s vaším zařízením Autorizovanému servisnímu středisku Hitachi společně s požadavkem na opravu nebo další servis.

Při obsluze a údržbě elektrických zařízení musí být dodržovány bezpečnostní předpisy a normy platné v každé zemi, kde je výrobek používán.

**MODIFIKACE**

Výrobky firmy Hitachi jsou neustále zdokonalovány a modifikovány tak, aby se zavedly nejposlednější výsledky výzkumu a vývoje.

Následně, některé díly (např. čísla kódů nebo návrh) mohou být změněny bez předešlého oznámení.

**ZÁRUKA**

Ručíme za to, že elektrické nářadí Hitachi splňuje zákonné/ místně platné předpisy. Tato záruka nezahrnuje závady nebo poškození vzniklé v důsledku nesprávného použití, hrubého zacházení nebo normálního opotřebení. V případě reklamace zašlete prosím elektrické nářadí v nerozebraném stavu společně se ZÁRUČNÍM LISTEM připojeným na konci těchto pokynů pro obsluhu do autorizovaného servisního střediska firmy Hitachi.

**POZNÁMKA:**

Vlivem stále pokračujícího výzkumného a vývojového programu HITACHI mohou zde uvedené parametry podléhat změnám bez předchozího upozornění.

**Informace o hluku a vibracích**

Měřené hodnoty byly určeny podle EN60745 a deklarovány ve shodě s ISO 4871.

Změřená vážená hladina akustického výkonu A: 95 dB(A)

Změřená vážená hladina akustického tlaku A: 84 dB(A)

Neurčitost KpA: 3 dB(A)

Použijte ochranu sluchu.

Typická vážená střední hodnota zrychlení nepřesahuje: 4,9 m/s<sup>2</sup>

## GENEL GÜVENLİK KURALLARI

### DİKKAT!

#### Bütün talimatları okuyun

Aşağıda belirtilen talimatların tümünün uygulanmaması, elektrik çarpması, yangın ve/veya ciddi yaralanmalara yol açılabilir. Aşağıdaki uyarılarda belirtilen "Elektrikli alet" terimi, işletilen (kablolu) veya (kablolu) ana elektrik aletlerini kapsar.

### BU TALİMATLARI SAKLAYINIZ

#### 1) Çalışma ortamı

- Çalışma ortamı temiz ve iyi ışıklandırılmış olmalıdır.**  
*Dağınık ve karanlık ortamlar kazanın davetçisidir.*
- Yanıcı sıvıların, gazların veya tozların bulunduğu patlayıcı ortamlarda elektrikli aletlerle çalışmayınız.**  
*Elektrikli aletler kıvılcım sıçratabilir ve de gaz tozlarını ateşleyebilir.*
- Elektrikli alet kullanırken çocuklardan ve seyircilerden uzak tutun.**  
*Dikkat dağıtıcı şeyler kontrolü kaybetmenize yol açabilir.*

#### 2) Elektrik güvenliği

- Elektrikli aletin fişi prize uygun olmalıdır.**  
**Fişi hiçbir şekilde değiştirmeye çalışmayın.**  
**Elektrikli aletin topraklanmış fişinde herhangi bir adaptör kullanmayın.**  
*Değiştirilmemiş fişler ve onlarla uygun prizler elektrik çarpması riskini azaltır.*
- Boru, radyatör, ocak/fırın ve buzdolabı gibi topraklanmış yüzeylerle vücut temasından sakının.**  
*Vücüdünüzün toprakla temasa geçmesi elektrik çarpması riskini artırır.*
- Elektrikli aletleri yağmur ve ıslak ortamlara maruz bırakmayın.**  
*Elektrikli aletin içersine su girmesi elektrik çarpması riskini artırır.*
- Güç kablosuna zarar vermeyin. Elektrikli aleti taşımak, çekmek veya prizden çıkarmak için kabloyu kullanmayın.**  
**Kabloyu kesici veya hareketli parçalardan, sıcak yüzeylerden ve yağdan uzak tutun.**  
*Hasar görmüş veya dolaşmış kablolar elektrik çarpması riskini artırır.*
- Elektrikli aleti açık alanlarda kullanırken, açık alana özel uzatma kablosu kullanın.**  
*Açık alana özel kablolar elektrik çarpması riskini azaltır.*

#### 3) Kişisel güvenlik

- Daima tetikte olun, elektrikli aleti kullanırken ne yaptığınızı farkında ve duyarlı olun.**  
**Elektrikli aleti alkol, ilaç veya uyuşturucu etkisi altındayken veya yorgunken çalıştırmayın.**  
*Elektrikli aleti kullanırken gösterilecek bir saniyelik dikkatsizlik, ciddi yaralanmalara yol açabilir.*
- Koruyucu ekipman kullanın. Daima koruyucu gözlük takın.**  
*Toz maskesi, kaymayan emniyet ayakkabısı, sert başlık veya işleme koruyucusu gibi koşullara uygun olan ve yaralanma riskini azaltıcı koruyucu ekipmanlar kullanın.*

- Aletin istem dışı çalışmasına karşın önlem alın.**  
**Prize takmadan önce şalter düğmesinin kapalı konumda olduğundan emin olun.**  
*Elektrikli aleti parmağınız şalter üzerinde olduğu halde taşımak veya prize takmak kazanın davetçisidir.*

- Elektrikli aleti çalıştırmadan önce ayar anahtarlarını çıkartın.**  
*Elektrikli aletin dönen kısmına takılı kalmış olan bir anahtar, yaralanmalara yol açabilir.*

- Fazla uzanmayın. Ayaklarınızı konumuza ve dengeye her zaman dikkat edin.**  
*Böylece beklenmedik bir durumla karşılaştığınızda, elektrikli aleti daha iyi kontrol altında tutmanızı sağlar.*

- Uygun çalışma giysisi giyin. Bol giysiler ve takılardan kaçının. Saçınızı, giysilerinizi ve eldiveninizi hareketli parçalardan uzak tutun.**  
*Bol giysiler, takılar veya uzun saç oynayan parçalara takılabilir.*

- Toz toplama bağlantısı için gerekli teçhizat ve bağlantı araçları sağlanmışsa, bunların bağlı olduğundan ve doğru şekilde kullanıldığından emin olun.**  
*Bu teçhizatların kullanılması tozun yaratacağı tehlikeleri azaltacaktır.*

#### 4) Elektrikli aletin kullanımı ve bakımı

- Elektrikli aleti zorlamayın. Yapacağınız işe uygun doğru aleti kullanın.**  
*Doğru elektrikli aletin kullanılması işinizi hem kolaylaştıracağı gibi hem de tasarlanmış süratte daha güvenli bir şekilde yapmanızı sağlar.*

- Eğer elektrikli aletin şalter düğmesi açılıp kapanmıyorsa, aleti kullanmayın.**  
*Şalter düğmesinden kumanda edilemeyen elektrikli aletler tehlike yaratır ve tamir edilmeleri gerekir.*

- Aksesuar değişimlerinde, ayarlamalar sırasında veya elektrikli aleti saklamadan önce elektrik bağlantısını kesin.**  
*Bu gibi önleyici emniyet tedbirleri elektrikli aletin istem dışı çalışma riskini azaltır.*

- Kullanılmayan elektrikli aletleri çocukların ulaşamayacağı yerlerde tutun. Aleti kullanmasını bilmeyen ve bu talimatlara aşina olmayan kişilere kullanırmayın.**  
*Elektrikli aletler deneyimsiz ve eğitilmemiş kişilerin eline tehlikeli olur.*

- Elektrikli aletin bakımını yapın. Hareketli parçaların yapışmamasını, kırık olmasını, düzenli hıızlanmasını veya aletin işletimini etkileyecek herhangi bir durumun olmadığını kontrol edin.**  
*Çoğu kazaya yetersiz bakımlı elektrikli aletleri neden olur.*

- Aletlerinizi keskin ve temiz tutun.**  
*Düzenli bakımı yapılmış keskin uçlu takımların yapışma ihtimali azdır ve de kontrol edilmeleri daha kolaylaşır.*

- Elektrikli aleti, aksesuarları ve uçları vs. bu talimatlar doğrultusunda ve o elektrikli aletin amaçlanan kullanımını için, çalışma koşullarını ve de yapılacak işi göz önüne alarak kullanın.**  
*Elektrikli aletin amaçlanan kullanımını dışında kullanılması tehlikeli bir durum yaratabilir.*

**5) Servis**

- a) **Elektrikli aleti vasfı bir kişi tarafından sadece özde yedek parçalar kullanarak tamir edilmesini sağlayın.**  
Böylece elektrikli aletin güvenli kullanımı sağlanacaktır.

**ÖNLEM**

**Çocukları ve diğer yeterli güce sahip olmayan kişileri uzak tutun.**  
**Kullanılmadığı zamanlarda aleti çocuk ve yeterli güce sahip olmayan kişilerin ulaşamayacağı bir yerde saklayın.**

**TAŞLAMA ALETİ İÇİN GENEL GÜVENLİK TALİMATLARI**

- Taşlama diskinin üzerinde belirtilen hızın, taşlama aletinin hızına eşit veya bu hızdan daha büyük olmasına özen gösterin;
- Disk boyutlarının taşlama aletine uygun olduğundan emin olun;
- Taşlama diskleri, imalatçının talimatlarına uygun olarak dikkatli bir şekilde muhafaza edilmeli ve kullanılmalıdır;
- Kullanmadan önce taşlama diskini inceleyin. Kırılmış, çatlak veya başka bir şekilde hasar görmüş ürünleri kullanmayın;
- Kullanılan taşlama diskinin ve uçlarının imalatçının talimatlarına uygun olarak takılmış olduğundan emin olun;
- Aşındırıcı ürünle birlikte sağlanmışsa, kurutma kağıtlarının ihtiyaç olduğunda kullanıldığınından emin olun;

- Taşlama işlemi öncesinde aşındırma ürünlerinin doğru monte edildiğinden ve iyice sabitlendiğinden emin olun ve aleti güvenli bir ortamda 30 saniye kadar boşta olarak çalıştırın. Önemli ölçüde titreme olduğunda veya başka arızalar tespit ederseniz, aleti derhal durdurun. Eğer bu durum devam ederse, sorunun ne olduğunu anlamak için aleti kontrol edin;
- Eğer ürünle birlikte bir disk muhafazası sağlanmışsa, aletin muhafazası takılı olmadığı şekilde kesinlikle kullanmayın;
- Büyük boyutlu taşlama disklerini kullanmak amacıyla deliği küçülen bilezik veya adaptörler gibi harici parçalar kullanmayın;
- Yıvli deliğe sahip disklerin kullanımı için tasarlanmış aletlerde, diskteki yivlin milin tamamını alacak kadar uzun olmasına özen gösterin;
- Üzerinde çalışılan parçanın gerektiği gibi desteklendiğinden emin olun;
- Yüze taşlama işlemlerinde kesme disklerini kullanmayın;
- Aletin kullanımı sırasında oluşan kıvılcıkların, insanların veya kolayca alev alabilecek maddelerin üzerine gelmesi gibi tehlikeli durumlara neden olmasına dikkat edin;
- Tozlu ortamlarda çalışırken, havalandırma açıklıklarının temiz olduğundan emin olun. Tozun temizlenmesi gerekirse, önce aletin elektrik bağlantısını (metal olmayan nesnelere kullanılarak) kesin ve içerisindeki parçalara zarar vermeye özen gösterin;
- Her zaman için koruyucu gözlük ve kulak koruyucusu kullanın. Toz maskesi, eldiven, baret ve önlük gibi diğer kişisel koruyucu teçhizatlar gerektiğinde kullanılmalıdır;
- Alet kapatıldıktan sonra dönmeye devam eden taşlama diskine dikkat edin.

**TEKNİK ÖZELLİKLER**

| Model                        | G10SR3                           | G12SR3      | G13SR3      |
|------------------------------|----------------------------------|-------------|-------------|
| Voltaj (bölgelere göre)*     | (110V, 120V, 220V, 230V, 240V) ~ |             |             |
| Güç girişi*                  | 730 W                            |             |             |
| Yüksüz hız                   | 10000 dak <sup>-1</sup>          |             |             |
| Taşlama Diski                | Diş çap × Delik çapı             | 100 × 16 mm | 115 × 22 mm |
|                              | Dönüş hızı                       | 72 m/s      | 80 m/s      |
| Ağırlık (Yalnızca ana gövde) | 1,4 kg                           |             |             |

\*Bu değer bölgeden bölgeye değişiklik gösterdiği için ürünün üzerindeki plakayı kontrol etmeyi unutmayın.

**STANDART AKSESUARLAR**

- (1) Anahtar ..... 1  
(2) Yan Kol ..... 1  
Standart aksesuarlarda önceden bildirimde bulunulmadan değişiklik yapılabilir.

**UYGULAMALAR**

- Döküm çapaklarının alınması ve çeşitli çelik, bronz ve alüminyum malzemelerin ve döküm işlerinin perdahlanması.
- Kaynak yerlerinin veya kesme tertibatıyla kesilmiş kısımların taşlanması.
- Sentetik reçinelerin, arduvaz levhalarının, tuğlaların, mermerlerin, vb. taşlanması.

**ALETİ KULLANIM ÖNCESİNDE**

- Güç Kaynağı**  
Kullanacağınız güç kaynağının, aletin etiketinde belirtilen elektrik gereklilerine uygun olduğundan emin olun.
- Güç Şalteri**  
Güç şalterinin OFF konumunda olduğundan emin olun. Şalter ON konumundayken güç kaynağına bağlanan alet hemen çalışmaya başlayarak ciddi bir kazaya neden olabilir.
- Uzatma Kablosu**  
Çalışma yeri güç kaynağına uzak olduğunda, yeterli kalınlık ve kapasiteye sahip bir uzatma kablosu kullanın. Uzatma kablosu mümkün olduğunca kısa tutulmalıdır.
- Disk Muhafazasının Takılması ve Ayarlanması**  
Disk muhafazası, bir tarafı oyuk taşlama diskinin çalışma sırasında parçalanması durumunda yaralanmayı önlemek için kullanılan bir korumadır. Taşlama işlemine

başlamadan önce muhafazanın doğru şekilde yerleştirilip yerine sabitlendiğinden emin olun.

Sabitleyici vidayı hafifçe gevşeterek, maksimum verim elde etmek için muhafazayı en uygun açığa ayarlayabilirsiniz. Disk muhafazasını ayarlama işlemini yaptıktan sonra, vidanın iyice sıkıldığından emin olun.

5. Kullanılan taşlama diskinin ve uçlarının imalatçının talimatlarına uygun olarak takılmış olduğundan emin olun. Kullanılan taşlama diski doğru tip ve hasarsız olmalıdır. Ayrıca taşlama diskinin doğru şekilde monte edilmiş olduğundan ve disk somununun emniyetli bir şekilde sıkıldığından emin olun. "TEK TARAFLI OYUK TAŞLAMA DİSKİNİN TAKILIP ÇIKARILMASI" bölümüne bakın. Aşındırıcı ürünle birlikte sağlanmışsa, kurutma kağıtlarının ihtiyaç olduğunda kullanıldığından emin olun. Büyük delikli taşlama disklerini kullanmak amacıyla deliği küçültlen bilezik veya adaptörler gibi ek parçalar kullanmayın.

Yivli deliğe sahip disklerin kullanımı için tasarlanmış aletlerde, diskteki yivin milin tamamını alacak kadar uzun olmasına özen gösterin.

Yüzey taşlama işlerinde kesme disklerini kullanmayın.

#### 6. Deneme Kullanımı

Taşlama işlemi öncesinde aşındırma ürünlerinin doğru monte edildiğinden ve iyice sabitlendiğinden emin olun ve aleti güvenli bir yerde 30 saniye kadar boşa olarak çalıştırın. Önemli ölçüde titreme olduğunda veya başka arızalar tespit ederseniz aleti derhal durdurun. Bu durum devam ederse, sorunun ne olduğunu anlamak için aleti kontrol edin.

#### 7. Kilit İğnesi

Aleti çalıştırmadan önce, kilit iğnesini iki veya üç kez bastırarak, iğnenin devre dışı olduğundan emin olun (Şekil 2'ye bakın).

#### 8. Yan Kolu Takılması

Yan kolu, dişli kutusundaki yerine vidalayarak takın.

## UYARILAR

- Üzerinde çalışılan parçanın gerektiği gibi desteklendiğinden emin olun.
- Tozlu ortamlarda çalışırken, havalandırma açıklıklarının temiz olduğundan emin olun. Tozun temizlenmesi gerekirse, önce aletin elektrik bağlantısını kesin (metal olmayan nesnelere kullanın) ve içindeki parçalara zarar vermemeye özen gösterin.
- Aletin kullanımı sırasında oluşan kıvılcıkların, insanların veya patlayıcı maddelerin üzerine gelmesi gibi tehlikeli durumlara neden olmamasına dikkat edin.
- Her zaman koruyucu gözlük kullanın. Toz maskesi, eldiven, önlük ve baret gibi diğer kişisel koruyucu teçhizatlar gerektiğinde kullanılmalıdır.
- Tereddüt ediyorsanız, koruyucu teçhizatı kullanın.
- Alet kullanılmadığında güç kaynağı bağlantısı kesilmelidir.

## TEK TARAFLI OYUK TAŞLAMA DİSKİNİN TAKILIP ÇIKARILMASI (Şekil 2)

**UYARI** Ciddi kazaları önlemek için şalterin OFF konumunda olduğundan ve fişin prizden çekilmiş olduğundan emin olun.

### 1. Takma işlemi (Şekil 2)

- (1) Mil yukarı gelecek şekilde aleti ters çevirin.
- (2) Disk pulunun düz tarafını, milin çentikli kısmıyla hizalayın ve diski mile takın.
- (3) Tek tarafı oyuk taşlama diskinin çıkıntısını, disk puluna yerleştirin.
- (4) Disk somununu, milin üzerine vidalayın.
- (5) Bir elinizle kilit iğnesine bastırırken, diğer elinizle taşlama diskini yavaşça çevirerek mili kilitleyin. **Şekil 2'**de gösterilen anahtarları kullanarak, disk somununu sıkın.

### 2. Çıkarma işlemi

Yukarıdaki prosedürleri tersten uygulayın.

## UYARILAR

- Tek tarafı oyuk taşlama diskinin sıkıca takılı olduğundan emin olun.
- Aleti çalıştırmadan önce, kilit iğnesini iki veya üç kez bastırarak, iğnenin devre dışı olduğundan emin olun.

## BAKIM VE İNCELEME

### 1. Tek Tarafı Oyuk Taşlama Diskinin Kontrol Edilmesi

Tek tarafı oyuk taşlama diskinde çatlak veya yüzey bozuklukları olmadığından emin olun.

### 2. Montaj vidalarının incelenmesi

Tüm montaj vidalarını düzenli olarak inceleyin ve sağlam şekilde sıkılı olduğundan emin olun. Gevşeyen vidaları derhal sıkın. Gevşemiş vidalar ciddi tehlikelere yol açabilir.

### 3. Kömürlerin incelenmesi

Güvenliğiniz ve elektrik çarpmasına karşı koruma için bu alette kömürlerin incelenmesi ve değiştirilmesi sadece Hitachi Yetkili Servis Merkezi tarafından yapılmalıdır.

### 4. Elektrik kablosunun değiştirilmesi

Aletin elektrik kablosu hasar görmüşse, kablunun değiştirilmesi için alet Hitachi Yetkili Servis Merkezine götürülmelidir.

## PRATİK TAŞLAMA UYGULAMALARI

### 1. Basınç

Makine ömrünü uzatmak ve birinci sınıf işçilik elde etmek için, aletin aşırı basınç uygulanarak zorlanmaması önemlidir. Çoğu uygulamada etkili taşlama için aletin kendi ağırlığı yeterlidir. Aşırı basınç uygulama; aletin hızının düşmesine, yüzeyin dengesiz işlenmesine ve kullanım ömrünü azaltacak şekilde aşırı yüklenmeye neden olur.

### 2. Taşlama Açısı

Tek tarafı oyuk taşlama diskini yüzeyinin tamamını, taşlanacak malzemeye temas ettirmeyin. **Şekil 1'**de gösterildiği gibi alet, taşlama diskinin dış kenarının taşlanacak malzemeye temas edeceği şekilde 15° – 30° açıyla tutulmalıdır.

3. Yeni bir taşlama diskinin üzerinde çalışılan parçanın içine işlenmesini önlemek için, taşlama aletini parça boyunca kendinize doğru sürerek kullanın. (**Şekil 1; B yönü**). Taşlama diskinin kenarı gerektiği gibi aşındıktan sonra, taşlama işlemi her iki yönde de yapılabilir.

### 4. İşlemden Hemen Sonra Uygulanacak Önlemler

Alet kapatıldıktan sonra taşlama diski dönmeye devam eder. Alet kapatıldıktan sonra taşlama diski tamamen durmadıkça makineyi yere bırakmayın. Bu önlem, olası ciddi kazaların önlenmesinin yanı sıra, aletin içine toz ve kir girmesini de engeller.

**5. Motorun incelenmesi**

Motor biriminin sargıları, bu ağır iş aletinin "kalbidir". Sargının hasar görmediğinden ve/veya yağ ya da su ile ıslanmadığından emin olun.

**6. Servis parçaları listesi**

- A : Parça no.  
B : Kod no.  
C : Kullanılan sayı  
D : Açıklamalar

**DİKKAT**

Hitachi Güç Takımlarının onarımı, modifikasyonu ve gözden geçirilmesi Hitachi yetkili Servis Merkezi tarafından yapılmalıdır.

Hitachi yetkili Servis Merkezine tamir ya da bakım amacıyla başvurulduğunda Parça Listesinin takım ile birlikte verilmesi faydalı olacaktır.

Güç takımlarının çalıştırılması ve bakımlarının yapılması esnasında her ülke için belirtilen güvenlik düzenlemelerine ve standartlarına uyulması gerekmektedir.

**DEĞİŞİKLİKLER**

Hitachi Ağır İş Aletleri en son teknolojik ilerlemelere uygun olarak sürekli değiştirilmekte ve geliştirilmektedir. Dolayısıyla ısıyla, bazı kısımlarda (örneğin kod numaraları ve/veya tasarım gibi) önceden bildirimde bulunulmadan değişiklik yapılabilir.

**GARANTİ**

Hitachi Elektrikli El Aletlerine ülkelere özgü hukuki düzenlemeler çerçevesinde garanti vermekteyiz. Bu garanti, yanlış veya kötü kullanım, normal aşınma ve yıpranmadan kaynaklanan arıza ve hasarları kapsamamaktadır. Şikayet durumunda, Elektrikli El Aleti, sökülmemiş bir şekilde, bu kullanım kılavuzunun sonunda bulunan GARANTİ BELGESİYLE birlikte bir Hitachi yetkili servis merkezine gönderilmelidir.

**NOT:**

HITACHI'nin süregelen araştırma ve geliştirme programına bağlı olarak burada belirtilen teknik özelliklerde önceden bildirimde bulunulmadan değişiklik yapılabilir.

**Havadan yayılan gürültü ve titreşimle ilgili bilgiler**

Ölçülen değerlerin EN60745 ve ISO 4871'e uygun olduğu tespit edilmiştir.

Ölçülmüş A-ağırlıklı gürültü güç derecesi: 95 dB(A)

Ölçülmüş A-ağırlıklı gürültü güç derecesi: 84 dB(A)

Belirsiz KpA: 3 dB(A)

Kulak koruyucusu kullanın.

Tipik ağırlıklı ortalama karekök ivme değeri: 4,9 m/s<sup>2</sup>



## REGULI GENERALE DE SECURITATE

### AVERTISMENT!

#### Citiți toate instrucțiunile

Nerespectarea instrucțiunilor de mai jos poate duce la electrocutare, incendiu și/sau la vătămări grave.

În toate avertismentele de mai jos, termenul "sculă electrică" se referă la sculele electrice alimentate de la rețeaua de energie electrică (prin cablu de alimentare) sau la sculele electrice alimentate de la baterii (fără cablu de alimentare).

### PĂSTRAȚI PREZENȚELE INSTRUCȚIUNI

#### 1) Zona de lucru

- Mențineți zona de lucru curată și bine luminată.**  
Zonele de lucru dezordonate și slab luminate predispun la accidente.
- Nu utilizați sculele electrice în atmosferă explozivă, ca de exemplu în prezența lichidelor inflamabile, a gazelor inflamabile sau a pulberilor inflamabile.**  
Sculele electrice produc scânteii care pot aprinde pulberile și vaporii.
- Îndepărtați copiii și persoanele din jur atunci când folosiți o sculă electrică.**  
Distragerea atenției vă poate face să pierdeți controlul.

#### 2) Securitate electrică

- Sculele electrice trebuie să se potrivească în prizele existente.**  
Nu modificați niciodată ștecherul în nici un fel. Nu folosiți niciodată adaptoare la sculele electrice cu împământare.  
Ștecherele nemodificate și prizele adecvate reduc riscul de electrocutare.
- Evitați contactul corporal cu suprafețele puse la pământ cum ar fi conducte, radiatoare, cazane și frigider.**  
În cazul în care corpul dumneavoastră este legat la pământ crește riscul de electrocutare.
- Nu expuneți sculele electrice la ploaie și nu le țineți în condiții de umezeală.**  
Dacă în scula electrică intră apă crește riscul de electrocutare.
- Nu solicitați cablul de alimentare. Nu folosiți niciodată cablul de alimentare pentru transportul, deplasarea sau scoaterea din priză a sculei electrice.**  
Țineți cablul de alimentare departe de sursele de căldură, de umezi, de muchii ascuțite și de piese în mișcare.  
Cablurile de alimentare deteriorate sau îndoite cresc riscul de electrocutare.
- Atunci când utilizați o sculă electrică în exterior, folosiți un prelungitor adecvat folosirii în exterior.**  
Folosirea unui prelungitor adecvat folosirii în exterior reduce riscul de electrocutare.

#### 3) Siguranța personală

- Atunci când folosiți o sculă electrică fiți vigilenți, fiți atenți la ceea ce faceți și acționați cu bun simț.**  
Nu folosiți scule electrice atunci când sunteți obosit sau dacă vă aflați sub influența drogurilor, a alcoolului sau a medicamentelor.  
Un moment de neatenție în timpul utilizării sculei electrice poate duce la vătămări personale grave.

- Folosiți echipament de protecție. Purtați întotdeauna ochelari de protecție.**

*Echipamentul de protecție cum ar fi masca pentru praf, încălțăminte de protecție anti-alunecare, casca sau protecția auditivă, folosite atunci când este cazul, reduc riscul de vătămări personale.*

- Evitați pornirea accidentală. Asigurați-vă că, înainte de a introduce scula electrică în priză, comutatorul este pe poziția oprit.**

*Transportarea sculelor electrice cu degetul pe comutator sau introducerea în priză a sculelor electrice care au comutatorul pe poziția pornit predispun la accidente.*

- Înainte de a pune în funcțiune scula electrică, îndepărtați toate cheile sau instrumentele de reglare.**

*Un instrument sau o cheie atașate de o piesă rotativă a sculei electrice poate provoca vătămări personale.*

- Nu încercați să ajungeti prea departe. Mențineți un contact corespunzător al piciorului și păstrați-vă în permanență echilibrul.**

*Astfel veți avea un mai bun control al sculei electrice în situații neprevăzute.*

- Îmbrăcați-vă corespunzător. Nu purtați haine largi și nici bijuterii. Țineți părul, hainele și mănușile departe de piesele în mișcare.**

*Hainele largi, bijuteriile sau părul lung pot fi prinse în piesele în mișcare.*

- Dacă sunt prevăzute dispozitive pentru conectarea sistemelor de extragere și colectare a prafului, asigurați-vă că acestea sunt conectate și utilizate corect.**

*Folosirea acestor dispozitive poate reduce riscurile legate de praf și pulberi.*

#### 4) Folosirea și întreținerea sculelor electrice

- Nu forțați scula electrică. Folosiți sculele electrice adecvate pentru aplicația dumneavoastră.**

*Scula electrică adecvată va efectua operațiunea mai bine și mai sigur în cadrul parametrilor la care a fost proiectată.*

- Nu folosiți scula electrică în cazul în care comutatorul nu o pornește și nu o oprește.**

*O sculă electrică ce nu poate fi comandată prin intermediul comutatorului este periculoasă și trebuie reparată.*

- Înainte de a efectua orice fel de reglaje asupra sculelor electrice, de a le schimba accesoriile sau de a le depozita, scoateți-o din priză.**

*Aceste măsuri de securitate preventive reduc riscul de pornire accidentală a sculei electrice.*

- Nu depozitați sculele electrice nefolosite la îndemâna copiilor și nu permiteți persoanelor care nu sunt familiarizate cu sculele electrice sau cu prezentele instrucțiuni să utilizeze sculele electrice.**

*Sculele electrice sunt periculoase în mâna utilizatorilor neinstruiți.*

- Întrețineți sculele electrice. Verificați alinierea și prinderea pieselor în mișcare, ruperea pieselor precum și orice alte condiții care ar putea afecta funcționarea sculelor electrice.**

*Dacă o sculă electrică este deteriorată, aceasta trebuie reparată înainte de a fi utilizată.*

*Multe accidente sunt produse de sculele electrice întreținute necorespunzător.*

**f) Mențineți sculele tăietoare ascuțite și curate.** Sculele tăietoare corect întreținute, cu muchiile ascuțite, au o probabilitate mai mică de a se bloca și sunt mai ușor de controlat.

**g) Folosiți scula electrică, accesoriile și sculele de debitare etc. în conformitate cu prezentele instrucțiuni și în scopul pentru care au fost create pentru respectiva sculă electrică, luând în considerare condițiile de lucru și operațiunile care trebuie efectuate.**

*Folosirea sculei electrice pentru alte operațiuni decât cele pentru care a fost proiectată poate provoca situații periculoase.*

## 5) Reparații

**a) Repararea sculei electrice se va face de către personal calificat, cu folosirea unor piese de schimb identice.**

*Astfel se asigură menținerea siguranței în exploatare a sculei electrice.*

## PRECAUȚIE

**Țineți la distanță copiii și persoanele cu dizabilități. Atunci când nu sunt folosite, sculele trebuie păstrate astfel încât copiii și persoanele cu dizabilități să nu poată ajunge la ele.**

## INSTRUCȚIUNI GENERALE DE SECURITATE PENTRU POLIZOARE

- Verificați, pentru a vă asigura că viteza marcată pe discul de polizor este egală cu sau mai mare decât viteza nominală a polizorului;
- Asigurați-vă că dimensiunile discului de polizor sunt compatibile cu polizorul;
- Discurile abrazive vor fi depozitate și manipulate cu grijă, în conformitate cu instrucțiunile producătorului;
- Verificați discul de polizor înainte de utilizare, nu folosiți discuri ciobite, crăpate sau care prezintă alte defecte;

- Asigurați-vă că discurile și vârfurile sunt montate în conformitate cu indicațiile producătorului;
- Folosiți discuri-tampon atunci când acestea sunt furnizate împreună cu produsele abrazive și atunci când utilizarea acestora este necesară;
- Înainte de utilizare asigurați-vă că produsul abraziv este corect montat și bine strâns și efectuați un test de funcționare de 30 s într-o poziție sigură, opriți imediat în cazul în care observați vibrații excesive sau alte defecte. Dacă se întâmplă așa ceva, verificați mașina și stabiliți cauzele;
- Dacă scula este prevăzută cu o apărătoare, nu folosiți niciodată scula fără respectiva apărătoare;
- Nu folosiți bușce reductoare separate sau adaptoare pentru a adapta discuri abrazive cu orificii mai mari;
- Pentru sculele pe care se folosesc discuri cu orificii filetate, asigurați-vă că filetul discului este suficient de lung pentru a accepta întreaga lungime a axului;
- Verificați că piesa de prelucrat este bine fixată;
- Nu folosiți discuri de debitare pentru operațiuni de polizare;
- Asigurați-vă că scânteile ce apar în timpul folosirii mașinii nu creează pericole, de exemplu nu ating persoane și nu provoacă aprinderea unor substanțe inflamabile;
- Atunci când lucrați în condiții cu praf, asigurați-vă că orificiile de ventilație nu sunt obturate, dacă devine necesar să îndepărtați praful, mai întâi deconectați scula de la sursa de alimentare cu energie electrică (nu folosiți obiecte din metal) și evitați deteriorarea componentelor interne;
- Purtați întotdeauna protecție pentru ochi și protecție auditivă. Trebuie purtate și alte echipamente de protecție personală cum ar fi masca pentru praf, mănuși, cască și șorț;
- Fiți atenți la discul de polizor, care continuă să se rotească după ce mașina a fost oprită.

## SPECIFICAȚII

| Model                             |                             | G10SR3                           | G12SR3      | G13SR3      |
|-----------------------------------|-----------------------------|----------------------------------|-------------|-------------|
| Tensiune de alimentare (pe zone)* |                             | (110V, 120V, 220V, 230V, 240V) ~ |             |             |
| Putere instalată*                 |                             | 730 W                            |             |             |
| Viteză fără sarcină               |                             | 10000 min <sup>-1</sup>          |             |             |
| Disc                              | Diam. ext. x diam. discului | 100 x 16 mm                      | 115 x 22 mm | 125 x 22 mm |
|                                   | Viteză periferică           | 72 m/s                           | 80 m/s      |             |
| Greutate (Numai corpul principal) |                             | 1,4 kg                           |             |             |

\*Verificați plăcuța cu specificații a produsului, deoarece acesta poate diferi de la o zonă la alta.

## ACCESORII STANDARD

- (1) Cheie ..... 1  
 (2) Mâner lateral ..... 1  
 Accesoriile standard pot fi schimbate fără notificare prealabilă.

## UTILIZARE

- Îndepărtarea nervurilor de turnare și finisarea diverselor tipuri de materiale cum ar fi oțel, bronz și aluminiu și a pieselor turnate.
- Polizarea porțiunilor sudate sau a porțiunilor tăiate prin intermediul unui aparat de tăiere cu flacăra.
- Polizarea rășinilor sintetice, a gresiei, cărămidei, marmurei etc.

---

**ÎNAINTE DE UTILIZARE**


---

**1. Sursa de alimentare cu energie electrică**

Asigurați-vă de faptul că sursa de alimentare cu energie electrică ce urmează a fi folosită este conformă cu cerințele indicate pe plăcuța indicatoare a produsului.

**2. Comutatorul pentru punere în funcțiune**

Asigurați-vă că ați poziționat comutatorul în poziția OFF (OPRIT). Dacă ștecherul este conectat la priză iar comutatorul este în poziția ON (PORȚIT), mașina va începe să funcționeze imediat, putându-se produce vătămări grave.

**3. Cablul prelungitor**

Atunci când zona de lucru este departe de sursa de alimentare, folosiți un cablu prelungitor de o grosime suficientă și cu parametri corespunzători. Cablul prelungitor trebuie să fie cât mai scurt posibil.

**4. Montarea și reglarea apărătorii discului**

Apărătoarea discului este un dispozitiv de protecție ce are ca scop prevenirea vătămarilor în cazul în care discul cu centru depresat se distruge în timpul funcționării. Înainte de a începe operațiunea de polizare, asigurați-vă că apărătoarea este corect fixată și strânsă. Prin slăbirea ușoară a șurubului de reglare, apărătoarea discului poate fi rotită și fixată la orice unghi, pentru o eficiență maximă a operațiunii. După reglarea apărătorii discului asigurați-vă că șurubul de reglare este bine strâns.

**5. Asigurați-vă că discurile și vârfurile sunt montate în conformitate cu indicațiile producătorului.**

Asigurați-vă că discul cu centru depresat ce urmează a fi utilizat este de tipul corespunzător și nu are crăpături și nici defecte pe suprafață. De asemenea, asigurați-vă că discul cu centru depresat este montat corect și că piulița pentru disc este bine strânsă. Consultați secțiunea referitoare la "MONTAREA ȘI DEMONTAREA DISCULUI CU CENTRU DEPRESAT" Folosiți discuri-tampon atunci când acestea sunt furnizate împreună cu produsele abrazive și atunci când utilizarea acestora este necesară.

Nu folosiți bușe reductoare separate sau adaptoare pentru a adapta discuri abrazive cu orificii mai mari. Pentru sculele pe care se folosesc discuri cu orificii filetate, asigurați-vă că filetul discului este suficient de lung pentru a accepta întreaga lungime a axului. Nu folosiți discuri de debitare pentru operațiuni de polizare.

**6. Efectuarea unui test de funcționare**

Asigurați-vă că produsele abrazive sunt corect montate și strânse și apoi porniți mașina și testați-o timp de 30 de secunde, fără sarcină, într-o poziție sigură, opriti imediat mașina dacă observați vibrații excesive sau alte defecte.

Dacă se întâmplă așa ceva, verificați mașina și stabiliți cauzele.

**7. Verificați butonul.**

Verificați pentru a vă asigura că butonul este dezactivat, apăsând butonul de două sau de trei ori înainte de a pune mașina în funcțiune (vezi Fig. 2).

**8. Fixarea mânerului lateral**

Înșurubați mânerul lateral în carcasa mașinii.

---

**UTILIZAREA PRACTICĂ A POLIZORULUI UNGHIULAR**


---

**1. Presiunea**

Pentru a prelungi durata de viață a mașinii și pentru a asigura o finisare de prima clasă, este important ca mașina să nu fie supraîncărcată prin aplicarea unei presiuni excesive. În majoritatea aplicațiilor, greutatea mașinii este suficientă pentru a asigura o polizare eficientă. O presiune excesivă va avea ca efect reducerea vitezei de rotație, finisarea necorespunzătoare a suprafeței, supraîncărcarea mașinii - situații ce pot reduce durata de funcționare a mașinii.

**2. Unghiul de polizare**

Nu folosiți întreaga suprafață a discului cu centru depresat pe piesa de polizat. Așa cum este prezentat în Fig. 1, mașina trebuie ținută la un unghi de 15° - 30° astfel încât fața exterioră a discului cu centru depresat să vină în contact cu materialul la un unghi optim.

**3. Pentru a preveni ca un disc cu centru depresat nou să taie adânc în piesa de prelucrat, polizarea inițială se va face prin deplasarea polizorului unghiular de-a lungul piesei de prelucrat, spre operator (Fig. 1 direcția B).**

După ce fața activă a discului cu centru depresat s-a rotat suficient, polizarea se poate face în ambele direcții.

**4. Precauții imediat după finalizarea operațiunii**

După ce scula este oprită discul abraziv continuă să se rotească.

După oprirea mașinii, nu o puneți jos până când discul cu centru depresat nu s-a oprit complet. Pe lângă evitarea unor accidente grave, această precauție face ca mașina să absoarbă mai puțin praf și șpan.

**PRECAUȚII**

- Verificați că piesa de prelucrat este bine fixată.
- Atunci când lucrați în condiții cu praf, asigurați-vă că orificiile de ventilație nu sunt obturate. Dacă devine necesar să îndepărtați praful, mai întâi deconectați scula de la sursa de alimentare cu energie electrică (nu folosiți obiecte din metal) și evitați deteriorarea componentelor interne.
- Asigurați-vă că scânteile ce apar în timpul folosirii mașinii nu creează pericole, de exemplu nu ating persoane și nu provoacă aprinderea unor substanțe inflamabile.
- Purtați întotdeauna protecție pentru ochi și protecție auditivă. Alte echipamente de protecție personală cum ar fi masca pentru praf, mănuși, cască și șorț se vor purta dacă este necesar. Dacă nu sunteți siguri, purtați echipamentul de protecție personală.
- Atunci când mașina nu este folosită, aceasta trebuie deconectată de la sursa de alimentare cu energie electrică.

---

**MONTAREA ȘI DEMONTAREA DISCULUI CU CENTRU DEPRESAT (Fig. 2)**


---

**PRECAUȚIE** Asigurați-vă că ați OPRIT mașina și că ați scos ștecherul din priză, pentru a evita producerea unor accidente grave.

**1. Montare (Fig. 2)**

- (1) Rotiți polizorul unghiular cu partea superioară în jos, astfel încât axul să fie îndreptat în sus.
- (2) Aliniați marcajele transversale ale șaibe discului cu partea canelată a axului și apoi atașați-le.
- (3) Potriviiți protuberanța discului cu centrul depresat pe șaiba discului.
- (4) Înșurubați piulița discului pe ax.
- (5) În timp ce cu o mână împingeți butonul, cu cealaltă mână rotiți ușor discul cu centrul depresat pentru a bloca axul.  
Strângeți piulița discului folosind cheia furnizată, așa cum este prezentat în Fig. 2.

**2. Demontare**

Aplicați în sens invers procedura descrisă mai sus.

**PRECAUȚII**

- Asigurați-vă că discul cu centrul depresat este montat ferm.
- Înainte de a pune mașina în funcțiune, asigurați-vă că butonul este dezactivat, apăsând butonul de două sau de trei ori.

**ÎNȚREȚINERE ȘI VERIFICARE****1. Verificarea discului cu centrul depresat**

Asigurați-vă că discul cu centrul depresat nu are crăpături și nici defecte pe suprafață.

**2. Verificarea șuruburilor de montare**

Verificați regulat toate șuruburile de montare și asigurați-vă că acestea sunt strânse corespunzător. Dacă vreunul din șuruburi este slăbit, strângeți-l imediat. Nerespectarea acestei indicații poate duce la pericole grave.

**3. Verificarea periiilor de cărbune**

Pentru siguranța dumneavoastră și pentru protejarea împotriva electrocutării, verificarea și înlocuirea periiilor de cărbune trebuie efectuată NUMAI de către o UNITATE SERVICE AUTORIZATĂ DE HITACHI.

**4. Înlocuirea cablului de alimentare**

În cazul în care cablul de alimentare al sculei este deteriorat, scula trebuie dusă la o unitate service autorizată de Hitachi pentru înlocuirea cablului.

**5. Întreținerea motorului**

Bobinajul motorului este inima motorului. Fiți foarte atenți să nu deteriorați bobinajul și să nu îl expuneți la ulei sau la apă.

**6. Lista pieselor de schimb pentru reparații**

- A: Articol nr.
- B: Cod nr.
- C: Nr. de piese utilizate
- D: Observații

**PRECAUȚIE**

Reparațiile, modificările și verificarea sculelor electrice Hitachi se vor efectua numai la o unitate service autorizată de Hitachi.

În mod particular, întreținerea dispozitivului laser va fi efectuată de un agent autorizat de către producătorul dispozitivului laser.

Repararea dispozitivului laser va fi efectuată întotdeauna de către o unitate service autorizată de Hitachi.

Această listă de piese va fi de ajutor dacă va fi prezentată împreună cu mașina la unitatea service autorizată de Hitachi atunci când solicitați efectuarea de reparații sau de operațiuni de întreținere.

Pe durata folosirii și a operațiunilor de întreținere a mașinii trebuie respectate reglementările și standardele naționale privind securitatea.

**MODIFICĂRI**

Sculele electrice Hitachi sunt în mod constant îmbunătățite și modificate, pentru a îngloba cele mai noi cuceriri tehnologice.

De aceea, anumite piese (numărul de cod și/sau aspectul acestora) pot fi modificate fără notificare prealabilă.

**GARANȚIE**

Garantăm sculele electrice Hitachi în conformitate cu reglementările statutare/specifice țării. Această garanție nu acoperă defectele sau daunele provocate de utilizarea necorespunzătoare, abuz sau de uzura și deteriorarea normale. În cazul în care aveți reclamații, vă rugăm să trimiteți scula electrică nedemontată, împreună cu CERTIFICATUL DE GARANȚIE care se găsește la finalul prezentelor Instrucțiuni de utilizare, la o unitate service autorizată de Hitachi.

**NOTĂ**

Ca urmare a programului continuu de cercetare și dezvoltare derulat de Hitachi, prezentele specificații pot fi modificate fără notificare prealabilă.

**Informații privind nivelul de zgomot transmis prin aer și nivelul de vibrații**

Valorile măsurate au fost determinate în conformitate cu EN 60745 și este declarată conformă cu ISO 4871.

Nivelul tipic al puterii sonore ponderate A: 95 dB (A)

Nivelul tipic al presiunii sonore ponderate A: 84 dB (A)

Nivel sonor, KpA: 3 dB (A)

Purtați echipament de protecție auditivă.

Valoarea tipică a rădăcinii medii pătratice ponderate a accelerației: 4,9 m/s<sup>2</sup>

## SPLOŠNA VARNOSTNA PRAVILA

### OPOZORILO!

#### Preberite vsa navodila

Nesledenje vsem spodaj navedenim navodilom lahko povzroči električni udar, požar in/ali resne poškodbe. Izraz "električno orodje" se v vseh spodnjih opozorilih nanaša na vaše električno orodje pod napetostjo (s kablom) ali električno orodje na baterije (brezžično).

### SHRANITE TA NAVODILA

#### 1) Delovno območje

- Delovno območje naj bo čisto in dobro osvetljeno.**  
*Razmetana in temna področja privabljajo nesreče.*
- Električni orodij ne uporabljajte v eksplozivnih atmosferah, kot pri prisotnosti vnetljivih tekočin, plinov ali prahu.**  
*Električna orodja ustvarjajo iskre, ki lahko vznemirijo prah hlapih.*
- Otroci in ostale gledalce držite v stran medtem, ko uporabljate električno orodje.**  
*Motnje lahko povzročijo, da izgubite nadzor.*

#### 2) Električna varnost

- Vtikači električnega orodja se moraj ujemati z vtičnico.**  
**Nikoli ne spreminjajte vtiaka na kakršenkoli način. Ne uporabljajte adapterskih vtičakov z ozemljenimi (na tleh) električnimi orodji.**  
*Nespremenjeni vtikači in prilgajoče se vtičnice zmanjšajo nevarnost električnega udara.*
- Izogibajte se telesnega stika z zemeljskimi ali ozemljenimi površinami (npr. cevi, radiatorji, peči, hladilniki).**  
*Obstaja povečana nevarnost električnega udara, če je vaše telo ozemljeno ali na zemlji.*
- Električnega orodja ne izpostavljajte na dež ali mokre pogoje.**  
*Voda, ki pride v električno orodje poveča nevarnost električnega udara.*
- S kablo ravnajte previdno. Kabla ne uporabljajte za nošenje, vlečenje ali izklapljanje električnega orodja.**  
**Kabel držite v stran od toplote, olja, ostrih robov in premikajočih se delov.**  
*Poškodovani in zapleteni kabli povečajo nevarnost električnega udara.*
- Pri zunaji uporabi električnega orodja uporabite podaljševalni kabel, ki je primeren za zunanjo uporabo.**  
*Uporaba kabla, primerne za delo odzunaj, zmanjša nevarnost električnega udara.*

#### 3) Osebna varnost

- Bodite pripravljene in pazite kaj delate ter uporabite zdrav razum, ko uporabljate električno orodje.**  
**Električnega orodja ne uporabljajte, če ste utrujeni ali pod vplivom drog, alkohola ali zdravil. Trenutek nepazljivosti pri uporabi električnega orodja lahko povzroči resne telesne poškodbe.**
- Uporabljajte zaščitno opremo. Zmeraj uporabljajte zaščitno za očii.**  
*Zaščitna oprema kot je maska za prah, ndrseči zaščitni čevlji, trda čelada ali zaščita za sluh, ki jo uporabljate pri primernih pogojih, bo zmanjšala osebne poškodbe.*

- Izogibajte se nenamernemu zagonu. Prepričajte se, da je pred vklopom stikalo v položaju OFF (izklop).**

*Nošenje električnih orodjev s prstom na stikalu ali priključevanje orodja, ki ima vključeno stikalo, privablja nesreče.*

- Pred vklopom orodja odstranite vsa orodja za prilagajanje ali ključke.**  
*Ključ ali orodje za prilagajanje, ki ostane na rotacijskem delu električnega orodja, lahko povzroči osebne poškodbe.*
  - Ne nagibajte se. Zmeraj uporabljajte primerno obutev in držite ravnotežje.**  
*To omogoča boljši nadzor nad električnim orodjem v nepričakovanih situacijah.*
  - Primerno se oblecite. Ne nosite ohlapnih oblačil ali nakita. Lase, oblačila in rokavice držite v stran od premikajočih se delov.**  
*Ohlapna oblačila, nakit ali dolgi lasje se lahko ujamejo v premikajoče se dele.*
  - Če imate naprave za priključitev odstranjevanja in zbiranja prahu, se prepričajte, da so priključene in primerno uporabljene.**  
*Uporaba teh naprav lahko zmanjša nevarnosti, povezane s prahom.*
- #### 4) Uporaba in nega električnega orodja
- Orodja ne uporabljajte s silo. Uporabite primerno električno orodje za vaše zahteve.**  
*Pravilno električno orodje bo delo naredilo bolje in varneje na stopnji za katero je bilo izdelano.*
  - Orodja ne uporabljajte, če ga s stikalom ne morete vključiti in izključiti.**  
*Vsako električno orodje, ki ga ne morete nadzorovati s stikalom je nevarno in ga je treba popraviti.*
  - Pred prilagajanjem, zamenjavo dodatkov ali shranjevanju električnega orodja, izvlcite vtičak iz vira napetosti.**  
*Takšni preventivni varnostni ukrepi zmanjšajo nevarnost, da se električno orodje po nesreči vključi.*
  - Mirujoča električna orodja shranjujte izven dosega otrok in ne dovolite uporabo orodja osebam, ki niso seznanjena z električnim orodjem ali temi navodili.**  
*Električna orodja so nevarna v rokah neusposobljenih uporabnikov.*
  - Električna orodja vzdržujte. Preverite ali so premikajoči se deli neporavnani ali razrhljani, zlomljeni in vsa ostala stanja, ki lahko vplivajo na delovanje električnega orodja.**  
**Če je električno orodje poškodovano ga pred uporabo dajte popraviti.**  
*Številne nesreče se zgodijo zaradi slabo vzdrževanih električnih orodij.*
  - Rezalni pripomočki naj bodo ostri in čisti.**  
*Primerno vzdrževana orodja za rezanje z ostrimi robovi je lažje uporabljati in je manjša verjetnost, da se ustavi.*
  - Električno orodje, pripomočke in dela orodja itd. uporabljajte v skladu s temi navodili in na način za katero je določen tip električnega orodja namenjen, ter v skladu z delovnimi pogoji in delom, ki ga boste opravljali.**  
*Uporaba električnega orodja za delo, ki je drugačno od tistega za katero je bilo orodje namenjeno lahko povzroči nevarne situacije.*

**5) Servis****a) Električno orodje naj popravlja usposobljena servisna oseba le z identičnimi rezervnimi deli.**

*S tem bo zagotovljeno vzdrževanje varnosti električnega orodja.*

**VARNOSTNI UKREP**

**Otroci in slabotne osebe naj se ne približujejo.**

**Ko orodja ne uporabljate ga shranjujte izven dosega otrok in slabotnih oseb.**

**SPLOŠNA VARNOSTNA NAVODILA ZA BRUSILNIKE**

- Preverite, da je hitrost označena na kolesu enaka ali večja od nominalne hitrosti brusilnika.
- Zagotovite, da so dimenzije kolesa združljive z brusilnikom.
- Brusilna kolesa hranite in z njimi pazljivo rokujte, v skladu z navodili proizvajalca.
- Pred uporabo preverite brusilno kolo; ne uporabljajte zlomljenih, počenih ali drugače poškodovanih izdelkov.
- Preručajte se, da so nameščena kolesa in točke pritrjene v skladu z navodili proizvajalca.
- Zagotovite, da se uporabljajo pivniki, ko so le-ti priloženi vezanemu brusilnemu izdelku in ko jih potrebujete.
- Pred uporabo orodja se prepričajte se, da so brusilni izdelki pravilno nameščeni in zatesnjeni. Orodje v varnem

položaju zažene brez bremena za 30 sekund. Takoj ga zaustavite, če občutite močne vibracije ali opazite druge poškodbe. Če se to zgodi preverite stroj, da določite vzrok.

- Če je orodje opremljeno z varovalom ga nikoli ne uporabljajte brez njega.
- Ne uporabljajte ločenih ležajnih blazin ali adapterjev za predelavo brusilnih koles z veliko luknjo.
- Za orodja na katera bodo nameščena kolesa z navojnimi luknjami se prepričajte, da je navoj v kolesu dovolj dolg, da sprejme dolžino gredi.
- Preverite ali je delovni predmet primerno podprt.
- Kolesa za rezanje ne uporabljajte za kotno brušenje.
- Prepričajte se, da iskre, ki nastajajo pri uporabi ne ustvarijo nevarnosti npr. zadenejo osebe ali zažgejo vnetljive substance.
- Zagotovite, da so prezračevalne odprtine čiste, ko delate v prašnih pogojih; če je potrebno očistiti prah, najprej izključite orodje iz vira napetosti (uporabite nekovinske predmete) in se s tem izognite poškodbim notranjih delov.
- Zmeraj uporabljajte zaščito za oči in ušesa. Ostalo osebno zaščitno opremo kot so maske za prah, rokavice, čelada in predpasnik uporabljajte po potrebi.
- Bodite pozorni na kolo, ki se še vedno obrača, ko orodje izključite.

**SPECIFIKACIJE**

| Model                    |                                | G10SR3                                | G12SR3      | G13SR3      |
|--------------------------|--------------------------------|---------------------------------------|-------------|-------------|
| Napetost (po območjih)*  |                                | (110V, 120V, 220V, 230V, 240V) $\sim$ |             |             |
| Vhodna moč*              |                                | 730 W                                 |             |             |
| Hitrost brez obremenitve |                                | 10000 min <sup>-1</sup>               |             |             |
| Kolo                     | Zunanji premer x premer luknje | 100 x 16 mm                           | 115 x 22 mm | 125 x 22 mm |
|                          | Hitrost periferne naprave      | 72 m/s                                | 80 m/s      |             |
| Teža (brez kabla)        |                                | 1,4 kg                                |             |             |

\*Preverite imensko ploščo na izdelku, saj je vrednost odvisna od področja.

**STANDARDNI DODATKI**

- (1) Ključ ..... 1  
 (2) Stranska ročica ..... 1  
 Standardni pripomočki se lahko spremenijo brez naprejšnjega obvestila.

**UPORABA**

- Odstranjevanje zaključka odlitkov in zaključevanje različnih tipov jelka, brona in aluminijastih materialov ter odlitkov.
- Brušenje zavarjenih delov ali delov, ki so bili rezani z gorilnikom za rezanje.
- Brušenje sintetične smole, skrla, opeke, marmorja itd.

**PRED UPORABO****1. Vir napetosti**

Zagotovite, da je vir napetosti, ki ga boste uporabili enak zahtevam vira napetosti, ki je določen na imenski plošči izdelka.

**2. Stikalo za napetost**

Prepričajte se, da je stikalo za napetost v položaju OFF (izključeno). Če je vtičnik priključen na vtičnico, ko je stikalo v položaju ON (vklopljeno), bo električno orodje takoj začelo delovati ter lahko povzroči resno nesrečo.

**3. Podaljševalni kabel**

Če je delovno območje oddaljeno od vira napetosti, uporabite podaljševalni kabel primerne debeline in kapacitivnosti. Podaljševalni kabel naj bo čim krajši.

**4. Nameščanje in nastavljanje varovala kolesa**

Varovalo kolesa je zaščitna naprava, ki onemogoča poškodbe, če se med delovanjem pritisnjeno srednje kolo razbije. Pred izvajanjem brušenja zagotovite, da je varovalo primerno nameščeno in pritrjeno.

Če nastavljeni vijak rahlo odvijete lahko varovalo kolesa obrnete in ga postavite na želen kot za maksimalno delovno učinkovitost. Po prilagajanju varovala kolesa se prepričajte, da je nastavljalni vijak dovolj pritrjen.

**5. Preručajte se, da so nameščena kolesa in točke pritrjene v skladu z navodili proizvajalca.**

Prepričajte se, da je pritisnjeno srednje kolo, ki ga boste uporabljali, pravi tipa in nima razpok ali poškodb na površini. Prav tako se prepričajte, da je

pritisnjeno srednje kolo primerno montirano in matica kolesa varno zatesnjena. Glej razdelek v poglavju "MONTAŽA IN DEMONTAŽA PRITISNJENEGA SREDNJEGA KOLESA"

Zagotovite, da se uporabljajo pivniki, ko so le-ti priloženi vezanemu brusilnemu izdelku in ko jih potrebujete. Ne uporabljajte ločenih ležajnih blazin ali adapterjev za predelavo brusilnih koles z veliko luknjo.

Za orodja na katera bodo nameščena kolesa z navojnimi luknjami se prepričajte, da je navoj v kolesu dovolj dolg, da sprejme dolžino gredi.

Kolesa za rezanje ne uporabljajte za kotno brušenje.

## 6. Izvajanje poskusnega zagona

Pred uporabo orodja se prepričajte se, da so brusilni izdelki pravilno nameščeni in zatesnjeni. Orodje v varnem položaju zaženite brez bremena za 30 sekund. Takoj ga zaustavite, če občutite močne vibracije ali opazite druge poškodbe.

Če se to zgodi preverite stroj, da določite vzrok.

## 7. Preverite tipko.

Preverite ali se tipka ni zaskočila tako, da jo dvakrat ali trikrat pritisnete, še preden vključite električno orodje (glej **Skico 2**).

## 8. Nameščanje stranske ročice

Zavijte stransko ročico na pokrov pogona.

- Zmeraj uporabljajte zaščito za oči in ušesa. Ostalo osebno zaščitno opremo kot so maske za prah, rokavice, čelada in predpasnik uporabljajte po potrebi. Če dvomite, uporabite zaščitno opremo.
- Ko stroja ne uporabljajte morate izključiti vir napetosti.

## MONTAŽA IN DEMONTAŽA PRITISNJENEGA SREDNJEGA KOLESA (Skica 2)

**POZOR** Prepričajte se, da izključite napetost (OFF/IZKLOP) in izlečete vtikač iz vtičnice, da se izognete resnim težavam.

### 1. Montaža (Skica 2)

- (1) Obrnite kotni brusilnik na glavo tako, da gred gleda navzgor.
- (2) Poravnajte vodoravne ploskve blažilca kolesa z zarezanim delom gredi in ju spojite.
- (3) Namestite izboklino pritisnjene srednjega kolesa na blažilec kolesa.
- (4) Zavijte matico kolesa na gred.
- (5) Medtem ko z eno roko pritisnete tipko, zaklenite gred tako, da z drugo roko počasi obračate pritisnjeno srednje kolo.

Matico kolesa zavijte s pomočjo priloženega ključa, kot je prikazano na **Skici 2**.

### 2. Demontaža

Sledite zgornjemu postopku v obratnem vrstnem redu.

### OPOZORILA

- Prepričajte se, da je pritisnjeno srednje kolo trdno montirano.
- Preverite ali se tipka ni zaskočila tako, da jo dvakrat ali trikrat pritisnete, še preden vključite električno orodje.

## VZDRŽEVANJE IN PREGLEDI

### 1. Pregled pritisnjene srednjega kolesa

Zagotovite, da je pritisnjeno srednje kolo brez razpok in poškodb na površini.

### 2. Pregled montažnih vijakov

Redno preverjajte vse montažne vijake in se prepričajte, da so primerno zaviti. Če se katerikoli vijak odvije, ga takoj zavijte. Če tega ne naredite lahko pride do resnih nesreč.

### 3. Preverjanje oglikovih ščetk

Za nenehno varnost in zaščito pred električnim udarom naj pregled in zamenjavo oglikovih ščetk izvaja LE POOBLAŠČENI SERVISNI CENTER HITACHI.

### 4. Zamenjava električnega kabla

Če je električni kabel orodja poškodovan, vrnite orodje na v pooblaščen servisni center Hitachi, kjer vam ga bomo zamenjali.

### 5. Vzdrževanje motorja

Navitje enote motorja je "srce" električnega orodja. Bodite zelo pazljivi, da navitja ne poškodujete in/ali zmočite z oljem ali vodo.

### 6. Seznam servisnih delov

- A: Št. predmeta
- B: Št. šifre
- C: Št. uporabljenih
- D: Opombe

### POZOR

Popravila, spremembe in pregled Hitachi električnega orodja mora izvajati pooblaščen servisni center Hitachi. Zlasti lasersko napravo mora vzdrževati pooblaščen agent proizvajalca laserja.

## PRAKTIČNA UPORABA BRUSILNIKA

### 1. Pritisk

Da bi podaljšali življenjsko dobo stroja in zagotovili izreden zaključek je pomembno, da stroja ne preobremenite s premočnim pritiskom. V večini primerov uporabe je sama teža stroja zadostna za učinkovito brušenje. Preverik pritisk zmanjša hitrost rotacije, poslabša zaključek površine in preobremeni stroj, kar lahko skrajša njegovo življenjsko dobo.

### 2. Kot brušenja

Ne pritisčajte celotne površine pritisnjene srednjega kolesa na material, ki ga brusite. Kot je prikazano na **Skici 1** je treba stroj držati pod kotom 15° - 30°, tako da zunanji rob pritisnjene srednjega kolesa pride v stik z materialom pod optimalnim kotom.

3. Da bi preprečili, da se novo pritisnjeno srednje kolo zarine v delovni predmet, izvedite začetno brušenje tako, da vlečete brusilnik preko delovnega predmeta proti uporabniku (**Skica 1, smer B**). Enkrat ko je vodilni rob pritisnjene srednjega kolesa primerno nabrušen, lahko brusite v poljubni smeri.

### 4. Varnostni ukrepi takoj po zaključku dela

Ko orodje izključite se kolo še vedno obrača. Ko ste stroj izključiti ga ne odložite, dokler se pritisnjeno srednje kolo ni popolnoma ustavilo. Poleg tega, da se izognete resnim nesrečam boste s tem varnostnim ukrepom zmanjšali količino prahu in odkruškov, ki se vsesajo v stroj.

### OPOZORILA

- Preverite ali je delovni predmet primerno podprt.
- Zagotovite, da so prezračevalne odprtine čiste, celate v prašnih pogojih. Če je potrebno očistiti prah, najprej izključite orodje iz vira napetosti (uporabite nekovinske predmete) in se izognite poškodbam notranjih delov.
- Prepričajte se, da iskre, ki nastajajo pri uporabi ne ustvarijo nevarnosti npr. zadenejo osebe ali zažgejo vnetljive substance.

Popravilo laserske naprave zmeraj določite pooblaščenemu servisnemu centru Hitachi.

Pri zahtevi za popravilo ali vzdrževanje bo v veliko pomoč, če pooblaščenemu servisnemu centru Hitachi skupaj z orodjem izročite tudi ta seznam delov.

Pri uporabi in vzdrževanju električnih orodij je treba upoštevati varnostne uredbe in standarde, ki so določene za vsako državo.

#### **SPREMEMBE**

Hitach električna orodja se nenehno izboljšujejo in spreminjajo, da bi vključevala najnovejše tehnološke napredke.

Torej se lahko nekateri deli (tj. številka šifra in/ali zgradba), spremenijo brez vnaprejšnjega obvestila.

---

#### **GARANCIJA**

Garantiramo za Hitachi električna orodja v skladu z ustavno/državno veljavnimi uredbami. Garancija ne pokriva napak ali poškodb, ki nastanejo zaradi nepravilne uporabe, zlorabe ali normalne obrabe. V primeru pritožbe pošljite nerazstavljeno električno orodje skupaj z GARANCIJSKIM CERTIFIKATOM, ki ga najdete na koncu teh navodil za uporabo, na pooblaščen servisni center Hitachi.

---

#### **OPOMBA:**

Zaradi HITACHIJEVEGA nenehnega programa raziskav in razvoja se specifikacije lahko spremenijo brez vnaprejšnjega obvestila.

---



---

#### **Informacije o hrupu in vibracijah**

Izmerjene vrednosti so bile določene glede na EN 60745 in navedeno v skladu z ISO 4871.

Tipičen A-obremenjen nivo moči zvoka: 95 dB (A)

Tipičen A-obremenjen nivo zvočnega pritiska: 84 dB (A)

Spremenljivost KpA: 3 dB (A)

Uporabljajte zaščito za ušesa.

Tipično obremenjeno povprečja kvadrata izvornega pospeška: 4,9 m/s<sup>2</sup>

---



---



## ОБЩИЕ ПРАВИЛА ПО ТЕХНИКЕ БЕЗОПАСНОСТИ

### ПРЕДУПРЕЖДЕНИЕ!

#### Прочтите руководство по эксплуатации

Невыполнение всех приведенных ниже положений данного руководства может привести к поражению электрическим током, пожару и/или к серьезной травме.

Термин "электроинструмент" в контексте всех приведенных ниже мер предосторожности относится к эксплуатируемому Вами электроинструменту с питанием от сетевой розетки (с сетевым шнуром) или электроинструменту с питанием от аккумуляторной батареи (беспроводному).

### СОХРАНИТЕ ДАННОЕ РУКОВОДСТВО

#### 1) Рабочее место

- a) **Поддерживайте чистоту и хорошее освещение на рабочем месте.**

Беспорядок и плохое освещение на рабочих местах приводит к несчастным случаям.

- b) **Не используйте электроинструменты во взрывоопасных окружающих условиях, например, в непосредственной близости от огнеопасных жидкостей, горючих газов или легковоспламеняющейся пыли.**

Электроинструменты порождают искры, которые могут воспламенить пыль или испарения.

- c) **Держите детей и наблюдателей на безопасном расстоянии во время эксплуатации электроинструмента.**

Отвлечение внимания может стать для Вас причиной потери управления.

#### 2) Электробезопасность

- a) **Штепсельные вилки электроинструментов должны соответствовать сетевой розетке. Никогда не модифицируйте штепсельную вилку никоим образом.**

Не используйте никакие адаптерные переходники с заземленными (замкнутыми на землю) электроинструментами.

Немодифицированные штепсельные вилки и соответствующие им сетевые розетки уменьшат опасность поражения электрическим током.

- b) **Не прикасайтесь телом к заземленным поверхностям, например, к трубопроводам, радиаторам, кухонным плитам и холодильникам.**

Если Ваше тело соприкоснется с заземленными поверхностями, возрастет опасность поражения электрическим током.

- c) **Не подвергайте электроинструменты воздействию дождя или влаги.**

При попадании воды в электроинструмент возрастет опасность поражения электрическим током.

- d) **Правильно обращайтесь со шнуром. Никогда не переносите электроинструмент, взявшись за шнур, не тяните за шнур, и не дергайте за шнур с целью отсоединения электроинструмента от сетевой розетки. Располагайте шнур подальше от источников тепла, нефтепродуктов, предметов с острыми кромками и движущихся деталей.**

Поврежденные или запутанные шнуры увеличивают опасность поражения электрическим током.

- e) **При эксплуатации электроинструмента вне помещений, используйте удлинительный шнур, предназначенный для использования вне помещения.**

Использование шнура, предназначенного для работы вне помещений, уменьшит опасность поражения электрическим током.

#### 3) Личная безопасность

- a) **Будьте готовы к неожиданным ситуациям, внимательно следите за своими действиями и руководствуйтесь здравым смыслом при эксплуатации электроинструмента.**

Не используйте электроинструмент, когда Вы устали или находитесь под влиянием наркотиков, алкоголя или лекарственных препаратов.

Мгновенная потеря внимания во время эксплуатации электроинструментов может привести к серьезной травме.

- b) **Используйте защитное снаряжение. Всегда надевайте средство защиты глаз.**

Защитное снаряжение, например, противопожарный респиратор, защитная обувь с нескользящей подошвой, защитный шлем-каска или средства защиты органов слуха, используемые для соответствующих условий, уменьшат травмы.

- c) **Избегайте непреднамеренного включения двигателя. Убедитесь в том, что выключатель находится в положении выключения перед подсоединением к сетевой розетке.**

Переноска электроинструментов, когда Вы держите палец на выключателе, или подсоединение электроинструментов к сетевой розетке, когда выключатель будет находиться в положении включения, приводит к несчастным случаям.

- d) **Снимите все регулировочные или гаечные ключи перед включением электроинструмента.**

Гаечный или регулировочный ключ, оставленный прикрепленным к вращающейся детали электроинструмента может привести к получению личной травмы.

- e) **Не теряйте устойчивость. Все время имейте надежную точку опоры и сохраняйте равновесие.**

Это поможет лучше управлять электроинструментом в непредвиденных ситуациях.

- f) **Одевайтесь надлежащим образом. Не надевайте просторную одежду или ювелирные изделия. Держите волосы, одежду и перчатки как можно дальше от движущихся частей.**

Просторная одежда, ювелирные изделия или длинные волосы могут попасть в движущиеся части.

- g) **Если предусмотрены устройства для присоединения приспособлений для отвода и сбора пыли, убедитесь в том, что они присоединены и используются надлежащим образом.**

Использование данных устройств может уменьшить опасности, связанные с пылью.

#### 4) Эксплуатация и обслуживание электроинструментов

##### а) Не перегружайте электроинструмент. Используйте надлежащий для Вашего применения электроинструмент.

*Надлежащий электроинструмент будет выполнять работу лучше и надежнее в том режиме работы, на который он рассчитан.*

##### б) Не используйте электроинструмент с неисправным выключателем, если с его помощью нельзя будет включить и выключить электроинструмент.

*Каждый электроинструмент, которым нельзя управлять с помощью выключателя, будет представлять опасность и его будет необходимо отремонтировать.*

##### в) Отсоедините штепсельную вилку от источника питания перед началом выполнения какой-либо из регулировок, перед сменой принадлежностей или хранением электроинструментов.

*Такие профилактические меры безопасности уменьшат опасность непреднамеренного включения двигателя электроинструмента.*

##### г) Храните неиспользуемые электроинструменты в недоступном для детей месте, и не разрешайте людям, не знающим как обращаться с электроинструментом или не изучившим данное руководство, работать с электроинструментом.

*Электроинструменты представляют опасность в руках неподготовленных пользователей.*

##### е) Содержите электроинструменты в исправности. Проверьте, нет ли несоосности или заедания движущихся частей, повреждения деталей или какого-либо другого обстоятельства, которое может повлиять на функционирование электроинструментов.

*При наличии повреждения, отремонтируйте электроинструмент перед его эксплуатацией. Большое количество несчастных случаев связано с плохим обслуживанием электроинструментов.*

##### ф) Содержите режущие инструменты остро заточенными и чистыми.

*Содержащиеся в исправности надлежащим образом режущие инструменты с острыми режущими кромками будут меньше заедать, и будут легче в управлении.*

##### г) Используйте электроинструмент, принадлежности, насадки и т.п., в соответствии с данным руководством и определенным типом электроинструмента для выполнения работы по его прямому назначению, принимая во внимание условия и объем выполняемой работы.

*Использование электроинструмента для выполнения работ не по прямому назначению может привести к опасной ситуации.*

#### 5) Обслуживание

##### а) Обслуживание Вашего электроинструмента должно выполняться квалифицированным представителем ремонтной службы с использованием только идентичных запасных частей.

*Это обеспечит сохранность и безопасность электроинструмента.*

#### МЕРА ПРЕДОСТОРОЖНОСТИ

**Держите подальше от детей и слабых людей. Если инструменты не используются, их следует хранить в недоступном для детей и слабых людей месте.**

#### ОБЩИЕ ИНСТРУКЦИИ ПО ТЕХНИКЕ БЕЗОПАСНОСТИ ДЛЯ ШЛИФОВАЛЬНЫХ МАШИН

- Убедитесь в том, что скорость, указанная на шлифовальном круге, больше или равна номинальной скорости шлифовальной машины;
- Убедитесь в том, что размеры шлифовального круга совместимы со шлифовальной машиной;
- Абразивные шлифовальные круги требуют бережного хранения и обращения в соответствии с инструкциями предприятия-изготовителя;
- Осмотрите шлифовальный круг перед использованием, не используйте шершавые, треснувшие или имеющие другие дефекты круги;
- Убедитесь в том, что установленные шлифовальные круги и режущие кромки закреплены в соответствии с инструкциями предприятия-изготовителя;
- Убедитесь в том, что прокладки из промокательной бумаги используются там, где они предусмотрены для армированного абразивного изделия и где требуется их применение;
- Перед использованием убедитесь в том, что абразивные изделия правильно установлены и затянуты, и опробуйте инструмент без нагрузки в течение 30 секунд в безопасном положении, немедленно выключите его при появлении большой вибрации или при обнаружении других неисправностей. Если такое состояние будет иметь место, проверьте машину для определения причины неисправности;
- Если инструмент оборудован защитным приспособлением, никогда не используйте инструмент без этого защитного приспособления;
- Не используйте отдельные переходные втулки или насадки для того, чтобы приспособить абразивные шлифовальные круги с отверстиями большего диаметра;
- Что касается инструментов, предназначенных для установки при помощи резьбового отверстия шлифовального круга, убедитесь в том, что резьба в круге имеет достаточную длину, чтобы соответствовать длине шпинделя;
- Проверьте и убедитесь в том, что обрабатываемое изделие поддерживается надлежащим образом;
- Не используйте отрезные круги для бокового шлифования;
- Убедитесь в том, что искры, образующиеся в процессе работы, не являются источником опасности, например, не попадают на людей или не воспламеняют огнеопасные вещества;
- Убедитесь в том, что вентиляционные отверстия очищены при работе в запыленных условиях, если возникнет необходимость очистить инструмент от пыли, прежде всего, отсоедините его от сети питания (используйте неметаллические предметы) и постарайтесь не повредить внутренние части;

- Всегда используйте средства защиты глаз и органов слуха. Также следует надевать другие индивидуальные средства защиты, например, противопылевой респиратор, перчатки, защитный шлем и фартук;
- Обратите внимание на то, что шлифовальный круг продолжает вращаться после выключения инструмента.

## ТЕХНИЧЕСКИЕ ХАРАКТЕРИСТИКИ

| Модель                        | G10SR3                               | G12SR3      | G13SR3      |
|-------------------------------|--------------------------------------|-------------|-------------|
| Напряжение (по регионам)*     | (110В, 120В, 220В, 230В, 240В) $\nu$ |             |             |
| Потребляемая мощность*        | 730 Вт                               |             |             |
| Число оборотов холостого хода | 10000 мин <sup>-1</sup>              |             |             |
| Шлифовальный круг             | Наружный диаметр × диаметр отверстия | 100 × 16 мм | 115 × 22 мм |
|                               | Окружная скорость                    | 72 м/с      | 80 м/с      |
| Вес (Только основной корпус)  | 1,4 кг                               |             |             |

\*Проверьте паспортную табличку на изделии, так как она меняется в зависимости от региона

## СТАНДАРТНЫЕ АКСЕССУАРЫ

- (1) Гаечный ключ..... 1  
 (2) Боковая рукоятка ..... 1  
 Набор стандартных аксессуаров может быть без предупреждения изменён.

## ОБЛАСТЬ ПРИМЕНЕНИЯ

- Удаление облоя на отливках, чистовая обработка различных видов изделий и отливок из стали, бронзы и алюминия.
- Шлифование сварных сечений или сечений, полученных резкой при помощи газового резака.
- Шлифование синтетических пластмасс, шифера, кирпича, мрамора и т.п.

## ПОДГОТОВКА К ЭКСПЛУАТАЦИИ

### 1. Источник электропитания

Проследите за тем, чтобы используемый источник электропитания соответствовал требованиям к источнику электропитания, указанным на типовой табличке изделия.

### 2. Переключатель "Вкл./ Выкл."

Убедитесь в том, что переключатель находится в положении "Выкл.". Если вы вставляете штепсель в розетку, а переключатель находится в положении "Вкл.", инструмент немедленно заработает, что может стать причиной серьезной травмы.

### 3. Удлинитель

Когда рабочая площадка удалена от источника электропитания, пользуйтесь удлинителем. Удлинитель должен иметь требуемую площадь поперечного сечения и обеспечивать работу инструмента заданной мощности. Разматывайте удлинитель только на реально необходимую для данного конкретного применения длину.

### 4. Установка и регулировка защитного приспособления шлифовального круга.

Защитное приспособление шлифовального круга является предохранительным устройством, для предотвращения получения травмы, которую можно

получить во время работы обломком шлифовального круга с утопленным центром. Перед началом шлифования убедитесь в том, что защитное приспособление установлено и закреплено надлежащим образом.

Слегка ослабив затяжку установочного винта, защитное приспособление шлифовального круга можно повернуть и установить под нужным углом для достижения максимальной эффективности при эксплуатации. После регулировки положения защитного приспособления шлифовального круга обязательно убедитесь в том, что установочный винт надежно затянут.

5. Убедитесь в том, что установленные шлифовальные круги и режущие кромки закреплены в соответствии с инструкциями предприятия-изготовителя. Убедитесь в том, что используемый шлифовальный круг с утопленным центром подходит по типу, и не имеет трещин и дефектов поверхности. Обязательно убедитесь также в том, что шлифовальный круг с утопленным центром установлен надлежащим образом и гайка крепления круга надежно затянута. Обратитесь к разделу "УСТАНОВКА И СНЯТИЕ ШЛИФОВАЛЬНОГО КРУГА С УТОПЛЕННЫМ ЦЕНТРОМ".

Убедитесь в том, что прокладки из промакатальной бумаги используются там, где они предусмотрены для армированного абразивного изделия и где требуется их применение.

Не используйте отдельные переходные втулки или насадки для того, чтобы приспособить абразивные шлифовальные круги с отверстиями большего диаметра.

Что касается инструментов, предназначенных для установки при помощи резьбового отверстия шлифовального круга, убедитесь в том, что резьба в круге имеет достаточную длину, чтобы соответствовать длине шпинделя.

Не используйте отрезные круги для бокового шлифования.

### 6. Проведение испытательного прогона

Перед использованием убедитесь в том, что абразивные изделия правильно установлены и затянуты, и опробуйте инструмент без нагрузки в

течение 30 секунд в безопасном положении, немедленно выключите его при появлении большой вибрации или при обнаружении других неисправностей. Если такое состояние будет иметь место, проверьте машину для определения причины неисправности.

7. **Проверьте функционирование нажимной кнопки.** Перед включением электрического инструмента проверьте нажимную кнопку и убедитесь в том, что нажимная кнопка освобождена, путем двух- или трехразового нажатия. (См. Рис. 2).
8. **Прикрепление боковой рукоятки**  
Винтите боковую рукоятку в крышку редуктора.

## ПРАКТИЧЕСКОЕ ПРИМЕНЕНИЕ ШЛИФОВАЛЬНОЙ МАШИНЫ

### 1. Нажатие

Для продления срока службы машины и обеспечения высококачественной чистовой обработки, важно избегать перегрузки, возникающей при слишком сильном нажатии на машину. В большинстве случаев применения, вес самой машины является достаточным для эффективного шлифования. Слишком сильное нажатие на машину может привести в результате к снижению скорости вращения, разрушению внутренней поверхности и перегрузке, которая может сократить срок службы машины.

### 2. Угол шлифования

Не прикладывайте всю поверхность шлифовального круга с утопленным центром к обрабатываемому материалу. Как показано на Рис. 1, машина должна удерживаться под углом 15° – 30° таким образом, чтобы наружная кромка шлифовального круга с утопленным центром соприкасалась с материалом под оптимальным углом.

3. Для предотвращения врезания нового шлифовального круга с утопленным центром в обрабатываемое изделие, первоначальное шлифование новым кругом должно выполняться таким образом, чтобы движение шлифовальной машины было направлено поперек обрабатываемого изделия в сторону оператора (Рис. 1 направление В). Когда передняя кромка шлифовального круга с утопленным центром будет должным образом истерта, шлифование можно будет выполнять в любом направлении.

### 4. Меры предосторожности непосредственно после окончания работы

Шлифовальный круг продолжает вращаться после выключения инструмента.

После выключения машины не кладите его до тех пор, пока шлифовальный круг с утопленным центром полностью не остановится. Не считая того, что эта мера предосторожности поможет избежать несчастного случая с тяжелыми последствиями, она уменьшит количество пыли и мелкой шлифовальной стружки, которая может засосаться внутрь машины.

### ОСТОРОЖНО:

- Проверьте и убедитесь в том, что обрабатываемое изделие поддерживается надлежащим образом.
- Убедитесь в том, что вентиляционные отверстия очищены при работе в запыленных условиях. Если возникнет необходимость очистить инструмент

от пыли, прежде всего, отсоедините его от сети питания (используйте неметаллические предметы) и постарайтесь не повредить внутренние части.

- Убедитесь в том, что искры, образующиеся в процессе работы, не являются источником опасности, например, не попадают на людей или не воспламеняют огнеопасные вещества.
- Всегда используйте средства защиты глаз и органов слуха.  
Другие индивидуальные средства защиты, например, противопылевой респиратор, перчатки, защитный шлем и фартук следует надевать при необходимости.  
В сомнительной ситуации наденьте средства защиты.
- Если машина не используется, она должно быть отключена от источника питания.

## УСТАНОВКА И СНЯТИЕ ШЛИФОВАЛЬНОГО КРУГА С УТОПЛЕННЫМ ЦЕНТРОМ (Рис. 2)

**ОСТОРОЖНО** Обязательно убедитесь в выключении машины и отсоединении патронного ответвительного штепселя от сетевой розетки для предотвращения несчастного случая с тяжелыми последствиями.

### 1. Установка (Рис. 2)

- (1) Поверните шлифовальную машину верхней стороной вниз таким образом, чтобы шпиндель был направлен вверх.
- (2) Совместите параллельные грани шайбы шлифовального круга с профилированной частью шпинделя, затем прикрепите их.
- (3) Установите выступ шлифовального круга с утопленным центром на шайбу шлифовального круга.
- (4) Завинтите гайку крепления шлифовального круга на шпиндель.
- (5) В то время, когда нажимаете на нажимную кнопку одной рукой, зафиксируйте шпиндель, медленно поворачивая шлифовальный круг с утопленным центром другой рукой.  
Затяните гайку крепления шлифовального круга при помощи прилагаемого гаечного ключа, как показано на Рис. 2.

### 2. Снятие

Выполните действия вышеописанной процедуры в обратном порядке.

### ОСТОРОЖНО

- Убедитесь в том, что шлифовальный круг с утопленным центром установлен плотно.
- Перед включением электрического инструмента проверьте нажимную кнопку и убедитесь в том, что нажимная кнопка освобождена, путем двух- или трехразового нажатия.

---

## ТЕХНИЧЕСКОЕ ОБСЛУЖИВАНИЕ И ПРОВЕРКА

---

### 1. Обследование шлифовального круга с утопленным центром

Убедитесь в том, что шлифовальный круг с утопленным центром не имеет трещин и дефектов поверхности.

### 2. Проверка установленных винтов.

Регулярно проверяйте все установленные на инструменте винты, следите за тем, чтобы они были как следует затянуты. Немедленно затяните винт, который окажется ослабленным. Невыполнение этого правила грозит серьезной опасностью.

### 3. Осмотр угольных щеток

С целью обеспечения Вашей постоянной безопасности и предотвращения поражения электрическим током, осмотр и замену угольной щетки на данном электроинструменте должны выполнять ТОЛЬКО специалисты авторизованного сервисного центра Hitachi.

### 4. Замена сетевого шнура

В случае если будет поврежден сетевой шнур данного электроинструмента, электроинструмент необходимо вернуть в авторизованный сервисный центр Hitachi для замены шнура.

### 5. Техническое обслуживание двигателя.

Обмотка двигателя - "сердце" электроинструмента. Проявляйте должное внимание, следя за тем, чтобы обмотка не была повреждена и/ или залита маслом или водой.

### 6. Порядок записей по техобслуживанию

A: пункт №

B: код №

C: количество применений

D: замечания

## ОСТОРОЖНО

Ремонт, модификацию и осмотр механизированного инструмента фирмы Hitachi следует проводить в авторизованном сервисном центре Hitachi.

Этот перечень запасных частей пригодится при представлении его вместе с инструментом в авторизованный сервисный центр Hitachi с запросом на ремонт или прочее обслуживание.

При работе и обслуживании механизированных инструментов нужно соблюдать правила и стандарты безопасности, действующие в каждой данной стране.

## ЗАМЕЧАНИЕ

Фирма HITACHI непрерывно работает над совершенствованием своих изделий, поэтому мы сохраняем за собой право на внесение изменений в технические характеристики, упомянутые в данной инструкции по эксплуатации, без предупреждения об этом.

---

## ГАРАНТИЯ

---

Мы гарантируем соответствие автоматических инструментов Hitachi нормативным/национальным положениям. Данная гарантия не распространяется на дефекты или ущерб, возникший вследствие неправильного использования или ненадлежащего обращения, а также нормального износа. В случае подачи жалобы отправляйте автоматический инструмент в неразобранном состоянии вместе с ГАРАНТИЙНЫМ СЕРТИФИКАТОМ, который находится в конце инструкции по обращению, в авторизованный центр обслуживания Hitachi.

---

## ПРИМЕЧАНИЕ

На основании постоянных программ исследования и развития, HITACHI оставляют за собой право на изменение указанных здесь технических данных без предварительного уведомления.

---

## Информация, касающаяся создаваемого шума и вибрации

Измеряемые величины были определены в соответствии с EN60745 и заявлены в соответствии с ISO 4871.

Измеренный средневзвешенный уровень звуковой мощности: 95 дБ (A)

Измеренный средневзвешенный уровень звукового давления: 84 дБ (A)

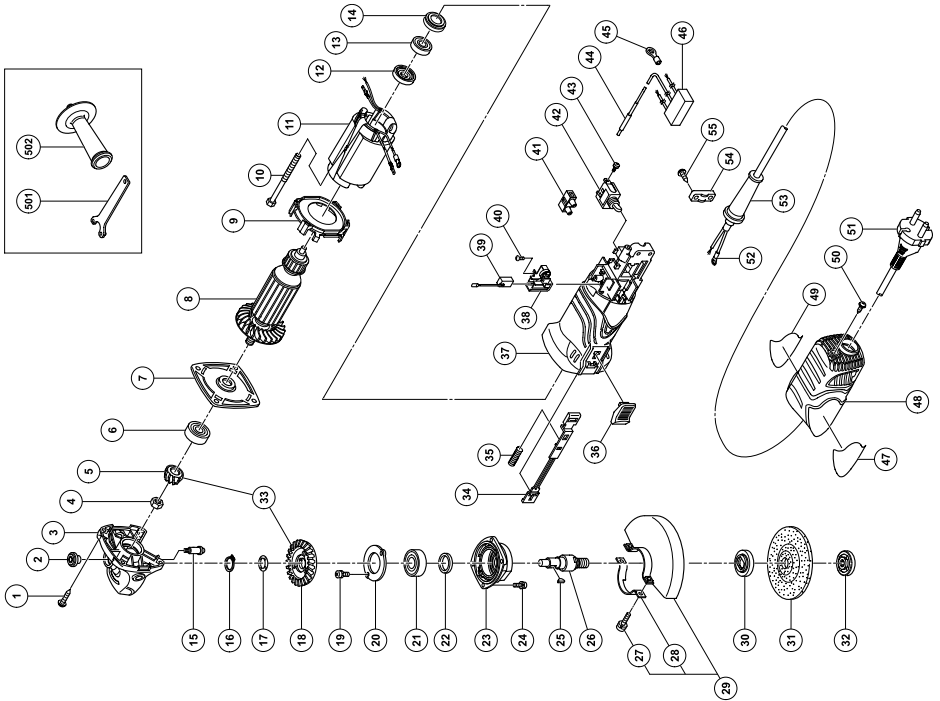
Погрешность Кра: 3 дБ (A)

Надевайте наушники.

Типичное значение вибрации: 4,9 м/с<sup>2</sup>

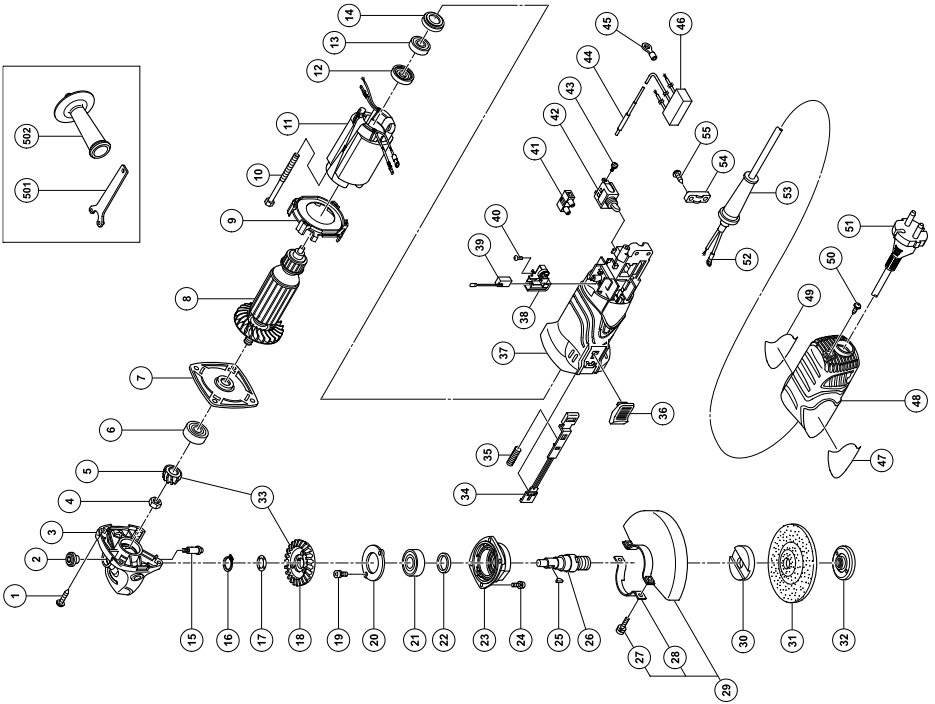
---

# G10SR3



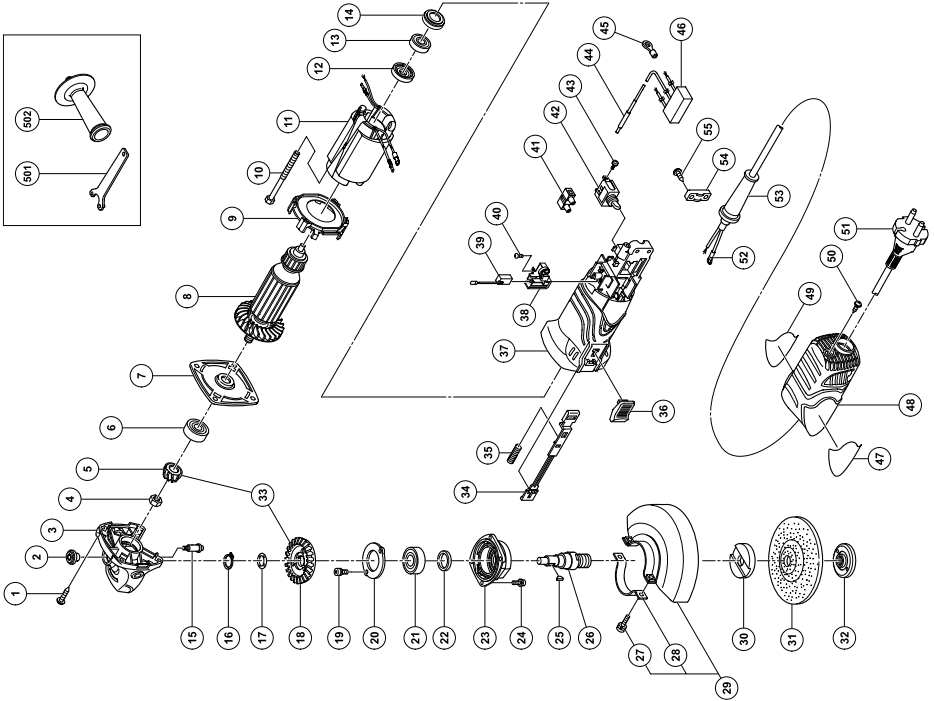
| A    | B        | C | D            | A    | B       | C | D      |
|------|----------|---|--------------|------|---------|---|--------|
| 1    | 307-028  | 4 | D4x25        | 35   | 314-429 | 1 |        |
| 2    | 301-944  | 1 |              | 36   | 314-428 | 1 |        |
| 3    | 327-891  | 1 | "2, 15"      | 37   | 327-885 | 1 | "14"   |
| 4    | 309-191  | 1 | M6           | 38   | 327-895 | 2 |        |
| 5    | 327-889  | 1 |              | 39   | 999-091 | 2 |        |
| 6    | 628-VVC  | 1 | 628VVC2PS2-L | 40   |         | 4 | D3x8   |
| 7    | 327-887  | 1 |              | 41   | 938-307 | 1 |        |
| 8-1  | 360-799C | 1 | 110V         | 42   | 314-603 | 1 |        |
| 8-2  | 360-799U | 1 | 120V         | 43   | 305-499 | 2 | M3.5x6 |
| 8-3  | 360-799E | 1 | 220V-240V    | 44   | 314-854 | 1 |        |
| 9    | 327-886  | 1 |              | 45   | 980-063 | 1 |        |
| 10   | 963-712  | 2 | D4x65        | 46-1 | 317-491 | 1 |        |
| 11-1 | 340-702C | 1 | 110V "TPE"   | 46-2 | 994-273 | 1 | "TPE"  |
| 11-2 | 340-702B | 1 | 110V "TPE"   | 47   |         | 1 |        |
| 11-3 | 340-702D | 1 | 120V         | 48   | 327-894 | 1 |        |
| 11-4 | 340-702E | 1 | 220V-230V    | 49   |         | 1 |        |
| 11-5 | 340-702F | 1 | 240V         | 50   | 307-811 | 1 | D4x16  |
| 12   | 321-722  | 1 |              | 51   |         | 1 |        |
| 13   | 626-VVM  | 1 | 626VVC2PS2L  | 52   | 980-063 | 1 |        |
| 14   | 309-929  | 1 |              | 53   | 953-327 | 1 |        |
| 15   | 301-943  | 1 |              | 54   | 937-631 | 1 |        |
| 16   | 316-487  | 1 |              | 55   | 984-750 | 2 | D4x16  |
| 17   | 316-486  | 1 |              | 501  | 313-933 | 1 |        |
| 18   | 327-890  | 1 |              | 502  | 318-312 | 1 |        |
| 19   | 987-201  | 2 | M4x10        |      |         |   |        |
| 20   | 327-892  | 1 |              |      |         |   |        |
| 21   | 620-1VV  | 1 | 6201VVCMP2SL |      |         |   |        |
| 22   | 301-946  | 1 |              |      |         |   |        |
| 23   | 316-489  | 1 |              |      |         |   |        |
| 24   | 987-203  | 4 | M4x12        |      |         |   |        |
| 25   | 302-047  | 1 |              |      |         |   |        |
| 26   | 327-903  | 1 |              |      |         |   |        |
| 27   | 308-386  | 2 | M5x16        |      |         |   |        |
| 28   | 301-949  | 1 |              |      |         |   |        |
| 29   | 301-948  | 1 | "27, 28"     |      |         |   |        |
| 30   | 320-497  | 1 |              |      |         |   |        |
| 31   |          | 1 | 100MM A36Q   |      |         |   |        |
| 32   | 321-795  | 1 | M14          |      |         |   |        |
| 33   | 327-888  | 1 | "5, 18"      |      |         |   |        |
| 34   | 327-893  | 1 |              |      |         |   |        |

# G12SR3



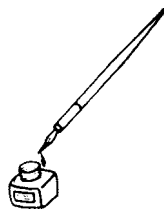
| A    | B        | C | D            | A   | B        | C | D      |
|------|----------|---|--------------|-----|----------|---|--------|
| 1    | 307-028  | 4 | D4x25        | 37  | 327-885  | 1 | "14"   |
| 2    | 301-944  | 1 |              | 38  | 327-895  | 2 |        |
| 3    | 327-891  | 1 | "2, 15"      | 39  | 999-091  | 2 | D3x8   |
| 4    | 309-191  | 1 | M6           | 40  | -----    | 4 |        |
| 5    | 327-889  | 1 |              | 41  | 938-307  | 1 |        |
| 6    | 628-VVC  | 1 | 628VVC2PS2-L | 42  | 314-603  | 1 | M3.5x6 |
| 7    | 327-887  | 1 |              | 43  | 305-499  | 2 |        |
| 8-1  | 360-799C | 1 | 110V         | 44  | 314-854  | 1 |        |
| 8-2  | 360-799U | 1 | 120V         | 45  | 980-063  | 1 |        |
| 8-3  | 360-799E | 1 | 220V-240V    | 46  | 317-491  | 1 |        |
| 9    | 327-886  | 1 |              | 47  | -----    | 1 |        |
| 10   | 963-712  | 2 | D4x65        | 48  | 327-894  | 1 |        |
| 11-1 | 340-702C | 1 | 110V         | 49  | -----    | 1 |        |
| 11-2 | 340-702D | 1 | 120V         | 50  | 307-811  | 1 | D4x16  |
| 11-3 | 340-702E | 1 | 220V-230V    | 51  | -----    | 1 |        |
| 11-4 | 340-702F | 1 | 240V         | 52  | 980-063  | 1 |        |
| 12   | 321-722  | 1 |              | 53  | 953-327  | 1 |        |
| 13   | 626-VVM  | 1 | 626VVC2PS    | 54  | 937-631  | 1 |        |
| 14   | 309-929  | 1 |              | 55  | 984-750  | 2 | D4x16  |
| 15   | 301-943  | 1 |              | 501 | 938-332Z | 1 |        |
| 16   | 316-487  | 1 |              | 502 | 318-312  | 1 |        |
| 17   | 316-486  | 1 |              |     |          |   |        |
| 18   | 327-890  | 1 |              |     |          |   |        |
| 19   | 987-201  | 2 | M4x10        |     |          |   |        |
| 20   | 327-892  | 1 |              |     |          |   |        |
| 21   | 620-1DD  | 1 | 6201DDCMPS2L |     |          |   |        |
| 22   | 301-946  | 1 |              |     |          |   |        |
| 23   | 316-489  | 1 |              |     |          |   |        |
| 24   | 987-203  | 4 | M4x12        |     |          |   |        |
| 25   | 302-047  | 1 |              |     |          |   |        |
| 26   | 327-896  | 1 |              |     |          |   |        |
| 27   | 308-386  | 2 | M5x16        |     |          |   |        |
| 28   | 301-949  | 1 |              |     |          |   |        |
| 29   | 315-492  | 1 | "27, 28"     |     |          |   |        |
| 30   | 937-817Z | 1 |              |     |          |   |        |
| 31   | -----    | 1 | 115MM A36Q   |     |          |   |        |
| 32   | 994-324  | 1 | M14          |     |          |   |        |
| 33   | 327-888  | 1 | "5, 18"      |     |          |   |        |
| 34   | 327-893  | 1 |              |     |          |   |        |
| 35   | 314-429  | 1 |              |     |          |   |        |
| 36   | 314-428  | 1 |              |     |          |   |        |

# G13SR3



| A    | B        | C | D            |
|------|----------|---|--------------|
| 1    | 307-028  | 4 | D4x25        |
| 2    | 301-944  | 1 |              |
| 3    | 327-891  | 1 | "2, 15"      |
| 4    | 309-191  | 1 | M6           |
| 5    | 327-889  | 1 |              |
| 6    | 628-VVC  | 1 | 628VVC2PS2-L |
| 7    | 327-887  | 1 |              |
| 8    | 360-799E | 1 | 220V-240V    |
| 9    | 327-886  | 1 |              |
| 10   | 963-712  | 2 | D4x65        |
| 12   | 321-722  | 1 |              |
| 13   | 626-VVM  | 1 | 626VVC2PS2L  |
| 14   | 309-929  | 1 |              |
| 15   | 301-943  | 1 |              |
| 16   | 316-487  | 1 |              |
| 17   | 316-486  | 1 |              |
| 18   | 327-890  | 1 |              |
| 19   | 987-201  | 2 | M4x10        |
| 20   | 327-892  | 1 |              |
| 21   | 620-1VV  | 1 | 6201VVCMP2L  |
| 22   | 301-946  | 1 |              |
| 23   | 316-489  | 1 |              |
| 24   | 987-203  | 4 | M4x12        |
| 25   | 302-047  | 1 |              |
| 26   | 327-896  | 1 |              |
| 27   | 308-386  | 2 | M5x16        |
| 28   | 301-949  | 1 |              |
| 29   | 319-116  | 1 | "27, 28"     |
| 30   | 937-817Z | 1 |              |
| 31   | ---      | 1 | 125MM A24Q   |
| 32   | 994-324  | 1 | M14          |
| 33   | 327-888  | 1 | "5, 18"      |
| 34   | 327-893  | 1 |              |
| 35   | 314-329  | 1 |              |
| 36   | 314-428  | 1 |              |
| 37   | 327-885  | 1 | "14"         |
| 38   | 327-895  | 2 |              |
| 39   | 999-091  | 2 |              |
| 40   | ---      | 4 | D3x8         |
| 41   | 938-307  | 1 |              |
| 42   | 314-603  | 1 |              |
| A    | B        | C | D            |
| 43   | 305-499  | 2 | M3.5x6       |
| 47   | ---      | 1 |              |
| 48   | 327-894  | 1 |              |
| 49   | ---      | 1 |              |
| 50   | 307-811  | 1 | D4x16        |
| 51   | ---      | 1 |              |
| 52   | 980-063  | 1 |              |
| 53   | 953-327  | 1 |              |
| 54   | 937-631  | 1 |              |
| 55   | 984-750  | 2 | D4x16        |
| 11-1 | 340-702E | 1 | 220V-230V    |
| 11-2 | 340-702F | 1 | 240V         |
| 501  | 938-332Z | 1 |              |
| 502  | 318-312  | 1 |              |





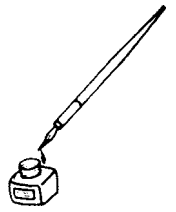
|  |   |
|--|---|
| <p>English</p> <p align="center"><b><u>GUARANTEE CERTIFICATE</u></b></p> <p>① Model No.<br/> ② Serial No.<br/> ③ Date of Purchase<br/> ④ Customer Name and Address<br/> ⑤ Dealer Name and Address<br/> (Please stamp dealer name and address)</p>                      | <p>Čeština</p> <p align="center"><b><u>ZÁRUČNÍ LIST</u></b></p> <p>① Model č.<br/> ② Série č.<br/> ③ Datum nákupu<br/> ④ Jméno a adresa zákazníka<br/> ⑤ Jméno a adresa prodejce<br/> (Prosíme o razítko se jménem a adresou prodejce)</p>  |
| <p>Deutsch</p> <p align="center"><b><u>GARANTIESCHEIN</u></b></p> <p>① Modell-Nr.<br/> ② Serien-Nr.<br/> ③ Kaufdatum<br/> ④ Name und Anschrift des Kunden<br/> ⑤ Name und Anschrift des Händlers<br/> (Bitte mit Namen und Anschrift des Handlers abstempeln)</p>      | <p>Türkçe</p> <p align="center"><b><u>GARANTİ SERTİFİKASI</u></b></p> <p>① Model No.<br/> ② Seri No.<br/> ③ Satın Alma Tarihi<br/> ④ Müşteri Adı ve Adresi<br/> ⑤ Bayi Adı ve Adresi<br/> (Lütfen bayi adını ve adresini kaşe olarak basın)</p>   |
| <p>Ελληνικά</p> <p align="center"><b><u>ΠΙΣΤΟΠΟΙΗΤΙΚΟ ΕΓΓΥΗΣΗΣ</u></b></p> <p>① Αρ. Μοντέλου<br/> ② Αύξων Αρ.<br/> ③ Ημερομηνία αγοράς<br/> ④ Όνομα και διεύθυνση πελάτη<br/> ⑤ Όνομα και διεύθυνση μεταπωλητή<br/> (Παρακαλούμε να χρησιμοποιηθεί σφραγίδα)</p>       | <p>Română</p> <p align="center"><b><u>CERTIFICAT DE GARANȚIE</u></b></p> <p>① Model nr.<br/> ② Nr. de serie<br/> ③ Data cumpărării<br/> ④ Numele și adresa clientului<br/> ⑤ Numele și adresa distribuitorului<br/> (Vă rugăm aplicați ștampila cu numele și adresa distribuitorului)</p> |
| <p>Polski</p> <p align="center"><b><u>GWARANCJA</u></b></p> <p>① Model<br/> ② Numer seryjny<br/> ③ Data zakupu<br/> ④ Nazwa klienta i adres<br/> ⑤ Nazwa dealera i adres<br/> (Pieczeć punktu sprzedaży)</p>   | <p>Slovenščina</p> <p align="center"><b><u>GARANCIJSKO POTRDILO</u></b></p> <p>① Št. modela<br/> ② Serijska št.<br/> ③ Datum nakupa<br/> ④ Ime in naslov kupca<br/> ⑤ Ime in naslov prodajalca<br/> (Prosimo vtisnite žig z imenom in naslovom prodajalca)</p>                            |
| <p>Magyar</p> <p align="center"><b><u>GARANCIA BIZONYLAT</u></b></p> <p>① Típuszám<br/> ② Sorozatszám<br/> ③ A vásárlás dátuma<br/> ④ A Vásárló neve és címe<br/> ⑤ A Kereskedő neve és címe<br/> (Kérjük ide elhelyezni a Kereskedő nevének és címének pecsétjét)</p> | <p>Русский</p> <p align="center"><b><u>ГАРАНТИЙНЫЙ СЕРТИФИКАТ</u></b></p> <p>① Модель №<br/> ② Серийный №<br/> ③ Дата покупки<br/> ④ Название и адрес заказчика<br/> ⑤ Название и адрес дилера<br/> (Пожалуйста, внесите название и адрес дилера)</p>                                     |



# HITACHI

|   |  |
|---|--|
| ① |  |
| ② |  |
| ③ |  |
| ④ |  |
| ⑤ |  |

**Hitachi Koki**





|  |  |
|--|--|
| <p>English</p> <p><b>EC DECLARATION OF CONFORMITY</b></p> <p>We declare under our sole responsibility that this product is in conformity with standards or standardized documents EN60745, EN50144, EN55014 and EN61000-3 in accordance with Council Directives 73/23/EEC, 89/336/EEC and 98/37/EC.</p> <p>This declaration is applicable to the product affixed CE marking.</p>   | <p>Čeština</p> <p><b>PROHLÁŠENÍ O SHODĚ S CE</b></p> <p>Prohlašujeme na svoji zodpovědnost, že tento výrobek odpovídá normám EN60745, EN50144, EN55014 a EN61000-3 v souladu se směrnicemi 73/23/EEC, 89/336/EEC a 98/37/EC.</p> <p>Toto prohlášení platí pro výrobek označený značkou CE.</p>   |
| <p>Deutsch</p> <p><b>ERKLÄRUNG ZUR KONFORMITÄT MIT CE-REGELN</b></p> <p>Wir erklären mit alleiniger Verantwortung, daß dieses Produkt den Standards oder standardisierten Dokumenten EN60745, EN50144, EN55014 und EN61000-3 in Übereinstimmung mit den Direktiven des Europarats 73/23/EWG, 89/336/EWG und 98/37/CE entspricht.</p> <p>Diese Erklärung gilt für Produkte, die die CE-Markierung tragen.</p>   | <p>Türkçe</p> <p><b>AB UYGUNLUK BEYANI</b></p> <p>Bu ürünün, 73/23/EEC, 89/336/EEC ve 98/37/EC sayılı Konsey Direktiflerine uygun olarak, EN60745, EN50144, EN55014 ve EN61000-3 sayılı standartlara ve standartlaştırılmış belgelere uygun olduğunu, tamamen kendi sorumluluğumuz altında beyan ederiz.</p> <p>Bu beyan, üzerinde CE işareti bulunan ürünler için geçerlidir.</p> |
| <p>Ελληνικά</p> <p><b>ΕΚ ΔΗΛ-ΣΗ ΕΝΑΡΜΟΝΙΣΜΟΥ</b></p> <p>Δηλώνουμε με απόλυτη υπευθυνότητα ότι αυτό το προϊόν είναι εναρμονισμένο με τα πρότυπα ή τα έγγραφα προτύπων EN60745, EN50144, EN55014 και EN61000-3 σε συμφωνία με τις Οδηγίες του Συμβουλίου 73/23/ΕΟΚ, 89/336/ΕΟΚ και 98/37/ΕΚ.</p> <p>Αυτή η δήλωση ισχύει στο προϊόν με το σημάδι CE.</p>   | <p>Română</p> <p><b>DECLARAȚIE DE CONFORMITATE CE</b></p> <p>Declarăm pe propria răspundere că acest produs este conform cu standardele sau documentele de standardizare EN60745, EN50144, EN55014 și EN61000-3 și cu Directivele Consiliului 73/23/CEE, 89/336/CEE și 98/37/CE.</p> <p>Prezenta declarație se referă la produsul pe care este aplicat semnul CE.</p>              |
| <p>Polski</p> <p><b>DEKLARACJA ZGODNOŚCI Z EC</b></p> <p>Oznajmiamy z całkowitą odpowiedzialnością, że produkt ten pozostaje w zgodzie ze standardami lub standardową formą dokumentów EN60745, EN50144, EN55014 i EN61000-3 w zgodzie z Zasadami Rady 73/23/EEC 89/336/ EEC i 98/37/EC.</p> <p>To oświadczenie odnosi się do załączonego produktu z oznaczeniami CE.</p>  | <p>Slovenščina</p> <p><b>EC DEKLARACIJA O SKLADNOSTI</b></p> <p>Po lastni odgovornosti objavljamo, da je izdelek v skladu s standardi ali standardiziranimi dokumenti EN60745, EN50144, EN55014 in EN61000-3 v skladu z direktivami Sveta 73/23/EEC, 89/336/EEC in 98/37/EC.</p> <p>Deklaracija je označena na izdelku s pritrjeno CE označbo.</p>                                 |
| <p>Magyar</p> <p><b>EU MEGFELELŐSÉGI NYILATKOZAT</b></p> <p>Teljes felelősségünk tudatában kijelentjük, hogy ez a termék megfelel az EN60745, EN50144, EN55014, és EN 61000-3 szabványoknak illetve szabványosított dokumentumoknak, az Európa Tanács 73/23/EEC, 89/336/EEC, és 98/37/EC Tanácsi Direktíváival összhangban.</p> <p>Jelen nyilatkozat a terméken feltüntetett CE jelzésre vonatkozik.</p>   | <p>Русский</p> <p><b>ДЕКЛАРАЦИЯ СООТВЕТСТВИЯ ЕС</b></p> <p>Мы с полной ответственностью заявляем, что данное изделие соответствует стандартам или стандартизованным документам EN60745, EN50144, EN55014 и EN61000-3 согласно Директивам Совета 73/23/EEC, 89/336/EEC и 98/37/EC.</p> <p>Данная декларация относится к изделиям, на которых имеется маркировка CE.</p>             |
| <p>Representative office in Europe<br/> <b>Hitachi Power Tools Europe GmbH</b><br/> Siemensring 34, 47877 Willich 1, F. R. Germany</p> <p>Head office in Japan<br/> <b>Hitachi Koki Co., Ltd.</b><br/> Shinagawa Intercity Tower A, 15-1, Konan 2-chome,<br/> Minato-ku, Tokyo, Japan</p> <p style="text-align: right;"> <br/> 31. 1. 2007<br/> <br/> K. Kato<br/> Board Director</p> |  |