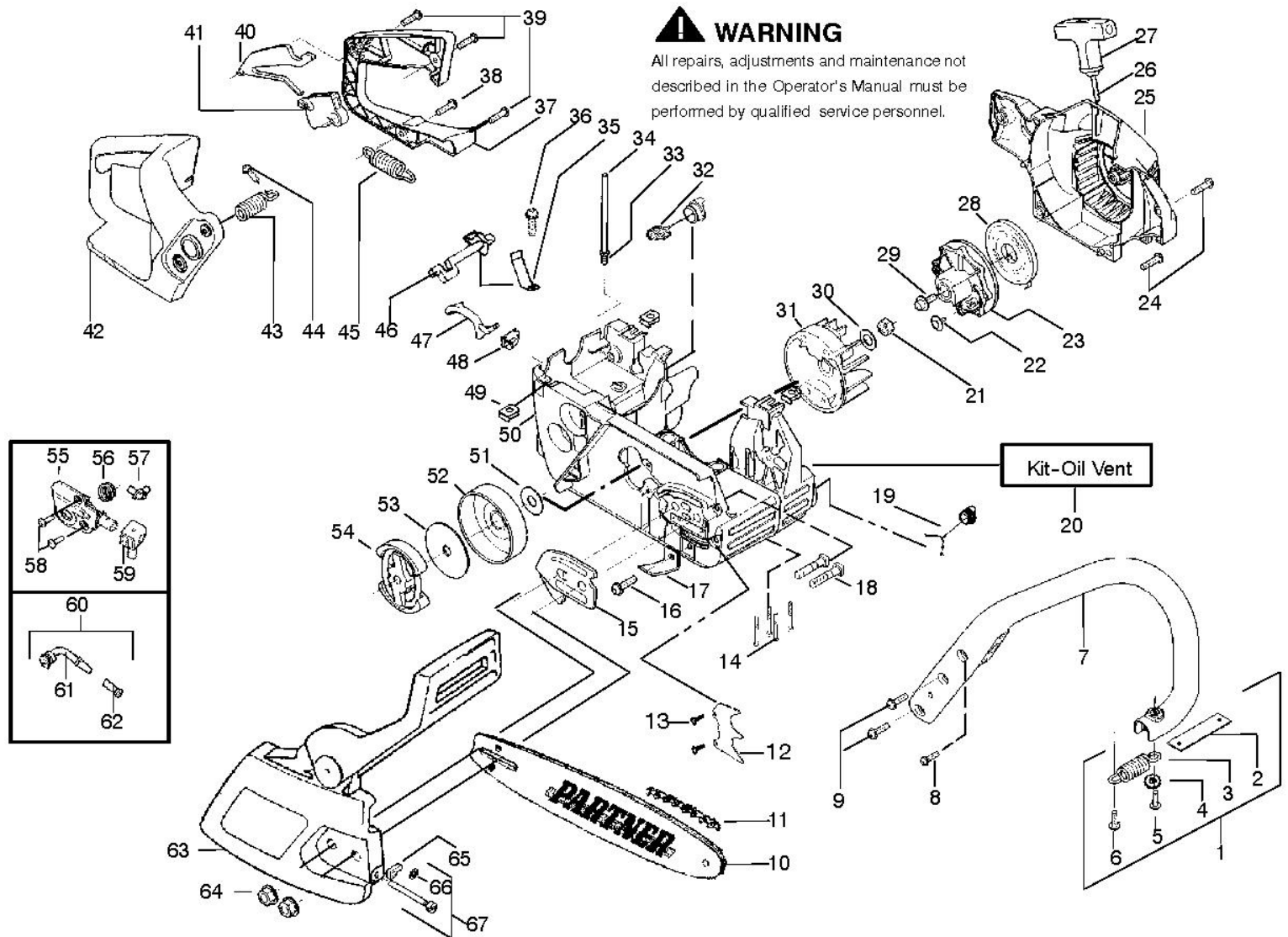


CHASSIS / FRAME

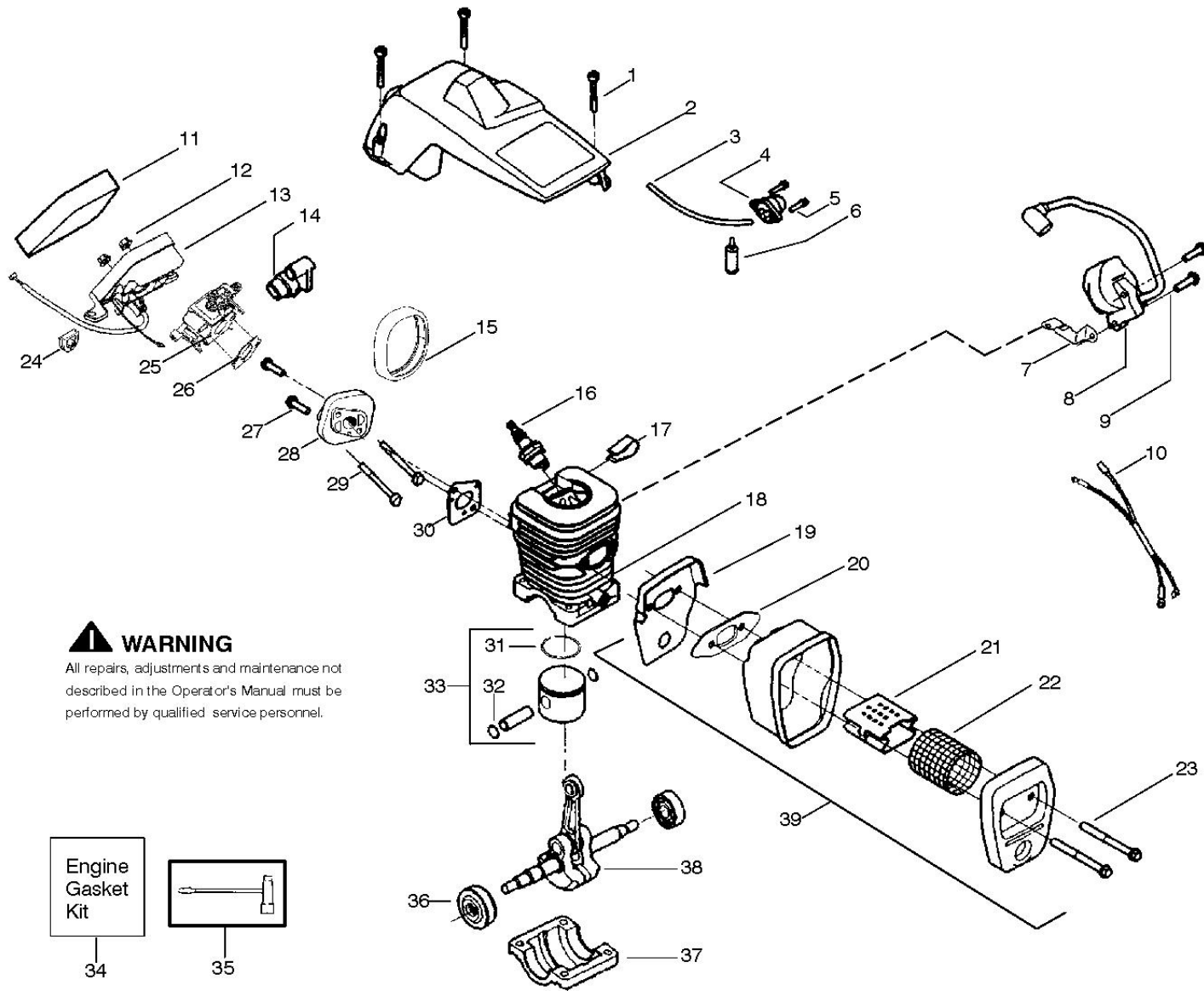


| Ref | Part No. | Description | QTY | KIT |
|-----|--------------|--------------|-----|-----|
| 1 | 530 05 96-67 | INSULATOR | 1 | |
| 2 | 530 04 76-08 | STRAP | 1 | |
| 3 | 530 05 96-68 | SPRING | 1 | |
| 4 | 530 01 51-58 | WASHER | 1 | |
| 5 | 530 01 60-18 | SCREW | 1 | |
| 6 | 530 01 58-43 | SCREW | 1 | |
| 7 | 545 04 80-01 | FRONT HANDLE | 1 | |
| 8 | 530 01 59-40 | SCREW | 1 | |
| 9 | 530 01 58-14 | SCREW | 1 | |
| 10 | 530 04 46-91 | GUIDE BAR | 1 | |
| 11 | 530 05 14-37 | CHAIN | 1 | |
| 12 | 530 01 43-81 | FELLING DOG | 1 | |
| 13 | 530 01 64-39 | SCREW | 1 | |
| 14 | 530 01 61-32 | BOLT | 1 | |
| 15 | 530 03 82-38 | PLATE | 1 | |

| Ref | Part No. | Description | QTY | KIT |
|-----|--------------|------------------|-----|-----|
| 16 | 530 01 58-14 | SCREW | 1 | |
| 17 | 530 02 98-50 | CHAIN CATCHER | 1 | |
| 18 | 530 01 61-33 | BOLT | 1 | |
| 19 | 530 05 72-36 | TANK CAP | 1 | |
| 20 | 530 07 16-66 | VALVE | 1 | |
| 21 | 530 01 61-34 | NUT | 1 | |
| 22 | 530 01 60-80 | SCREW | 1 | |
| 23 | 530 03 78-17 | STARTER PULLEY | 1 | |
| 24 | 530 01 58-92 | SCREW | 1 | |
| 25 | 530 04 93-35 | STARTER HOUSING | 1 | |
| 26 | 530 06 92-32 | STARTER ROPE | 1 | |
| 27 | 530 05 64-02 | HANDLESTARTER | 1 | |
| 28 | 530 02 75-31 | SPRING | 1 | |
| 29 | 530 01 59-20 | SCREW | 1 | |
| 30 | 530 01 51-27 | WASHER | 1 | |
| 31 | 530 04 75-34 | FLYWHEEL | 1 | |
| 32 | 530 04 71-92 | TANK CAP | 1 | |
| 33 | 530 02 38-77 | NIPPLE | 1 | |
| 34 | 530 06 92-16 | FUEL PIPE | 1 | |
| 35 | 530 01 61-49 | SPRING | 1 | |
| 36 | 530 01 57-75 | SCREW | 1 | |
| 37 | 530 04 75-81 | HANDLE | 1 | |
| 38 | 530 01 58-86 | SCREW | 1 | |
| 39 | 530 01 59-06 | SCREW | 1 | |
| 40 | 530 03 60-98 | THROTTLE LOCK | 1 | |
| 41 | 530 03 60-97 | THROTTLE TRIGGER | 1 | |
| 42 | 545 02 50-01 | HANDLE | 1 | |
| 43 | 530 07 19-58 | SPRING | 1 | |
| 44 | 530 01 58-75 | SCREW | 1 | |
| 45 | 530 05 96-68 | SPRING | 1 | |
| 46 | 530 05 74-73 | LEVER | 1 | |
| 47 | 530 05 74-74 | LEVER | 1 | |
| 48 | 530 04 90-05 | GUIDE | 1 | |
| 49 | 530 01 59-22 | NUT | 1 | |
| 50 | 530 05 87-30 | KIT | 1 | |
| 51 | 530 01 59-07 | WASHER | 1 | |
| 52 | 530 04 70-61 | CLUTCH DRUM | 1 | |
| 53 | 530 01 56-11 | WASHER | 1 | |
| 54 | 530 01 49-49 | CLUTCH | 1 | |
| 55 | 530 07 12-59 | OIL PUMP | 1 | |
| 56 | 530 03 78-20 | PINION | 1 | |
| 57 | 530 04 94-77 | ELBOW | 1 | |
| 58 | 530 01 60-64 | SCREW | 1 | |
| 59 | 530 01 92-06 | SEALING | 1 | |
| 60 | 530 04 76-63 | HOSE | 1 | |
| 61 | 530 03 83-73 | HOSE | 1 | |
| 62 | 530 05 65-33 | SCREEN | 1 | |
| 63 | 545 13 99-01 | CHAIN BRAKE | 1 | |
| 64 | 530 01 59-17 | NUT | 1 | |

| Ref | Part No. | Description | QTY | KIT |
|-----|--------------|-------------|-----|-----|
| 65 | 530 01 58-26 | SCREW | 1 | |
| 66 | 530 03 85-93 | RETAINER | 1 | |
| 67 | 530 06 96-11 | RETAINER | 1 | |

CYLINDER, PISTON & MUFFLER



| Ref | Part No. | Description | QTY | KIT |
|-----|--------------|-----------------|-----|-----|
| 1 | 530 01 61-53 | SCREW | 1 | |
| 2 | 530 04 75-78 | SHIELD | 1 | |
| 3 | 530 06 92-47 | HOSE | 1 | |
| 4 | 530 07 18-35 | KIT | 1 | |
| 5 | 530 01 57-80 | SCREW | 1 | |
| 6 | 530 09 56-46 | FILTER | 1 | |
| 7 | 530 04 74-42 | PLATE | 1 | |
| 8 | 530 03 91-67 | IGNITION MODULE | 1 | |
| 9 | 530 01 58-14 | SCREW | 1 | |
| 10 | 530 05 74-75 | ASSEMBLY | 1 | |
| 11 | 530 03 77-93 | AIR FILTER | 1 | |
| 12 | 530 01 61-01 | NUT | 1 | |
| 13 | 530 05 77-02 | ASSEMBLY | 1 | |
| 14 | 530 03 55-26 | SLEEVE | 1 | |
| 15 | 530 05 41-44 | SEALING | 1 | |
| 16 | 952 03 01-50 | SPARK PLUG, | 1 | |
| 17 | 530 01 61-36 | CLAMP | 1 | |
| 18 | 545 12 21-01 | CYLINDER | 1 | |

| Ref | Part No. | Description | QTY | KIT |
|-----|--------------|-------------------|-----|-----|
| 19 | 530 04 98-70 | PLATE | 1 | |
| 20 | 530 06 96-08 | GASKET SET | 1 | |
| 21 | 530 03 78-13 | FLAME PROTECTION | 1 | |
| 22 | 530 03 61-03 | SCREEN | 1 | |
| 23 | 530 01 61-32 | BOLT | 1 | |
| 24 | 530 04 76-31 | GROMMET | 1 | |
| 25 | 545 08 18-85 | CARBURETTOR ASSY | 1 | |
| 26 | 530 06 96-08 | GASKET SET | 1 | |
| 27 | 530 01 63-86 | SCREW | 1 | |
| 28 | 530 04 97-00 | PARTITION | 1 | |
| 29 | 530 01 61-87 | SCREW | 1 | |
| 30 | 530 06 96-08 | GASKET SET | 1 | |
| 31 | 530 03 73-80 | PISTON RING | 1 | |
| 32 | 530 01 56-97 | LOCKING RING | 1 | |
| 33 | 545 08 18-72 | PISTON ASSY | 1 | |
| 34 | 530 06 96-08 | GASKET SET | 1 | |
| 35 | 530 03 11-35 | WRENCH | 1 | |
| 36 | 530 05 63-63 | BEARING | 1 | |
| 37 | 530 03 79-35 | COVER | 1 | |
| 38 | 530 04 70-62 | CRANKSHAFT | 1 | |
| 39 | 530 04 72-07 | MUFFLER | 1 | |
| | 545 16 76-19 | OPERATOR'S MANUAL | 1 | |
| | 545 16 76-20 | OPERATOR'S MANUAL | 1 | |
| | 545 16 76-21 | OPERATOR'S MANUAL | 1 | |
| | 545 16 76-22 | OPERATOR'S MANUAL | 1 | |
| | 545 16 76-23 | OPERATOR'S MANUAL | 1 | |
| | 545 16 76-24 | OPERATOR'S MANUAL | 1 | |
| | 545 16 76-25 | OPERATOR'S MANUAL | 1 | |
| | 545 16 76-26 | OPERATOR'S MANUAL | 1 | |
| | 545 00 30-25 | LABEL | 1 | |