



20V CORDLESS HEDGE TRIMMER HTM1005

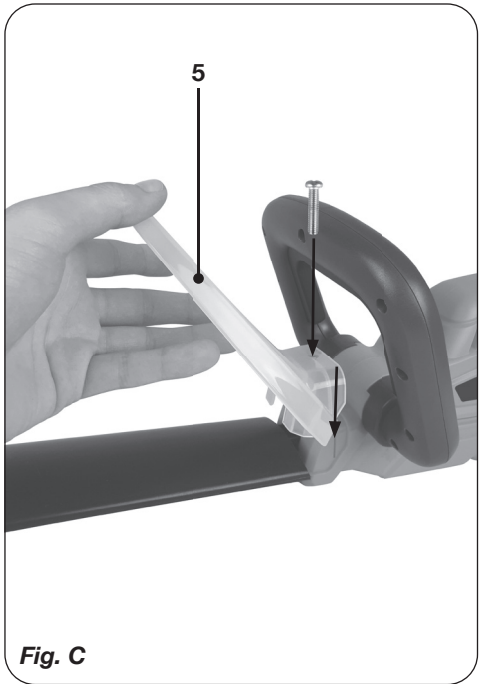
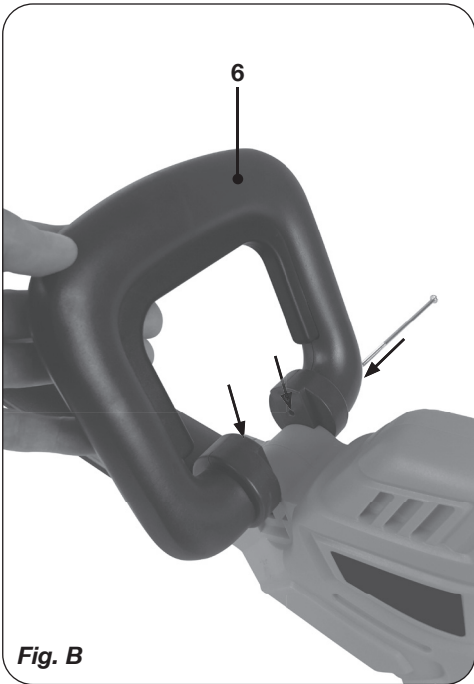
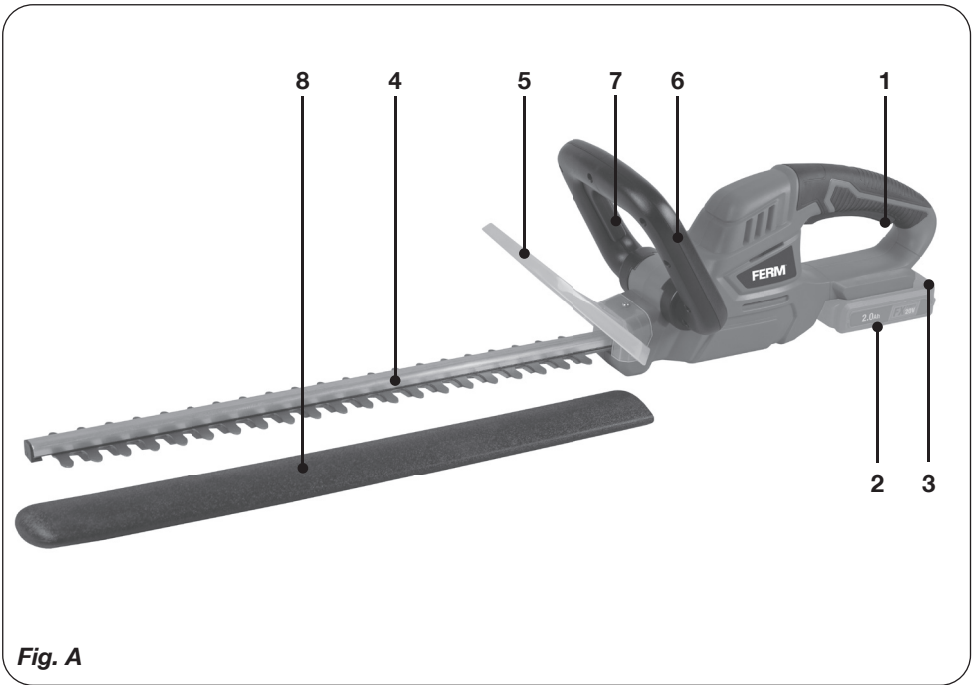
EN	Original instructions	04	IT	Traduzione delle istruzioni originali	54
NL	Vertaling van de oorspronkelijke gebruiksaanwijzing	10	ES	Traducción del manual original	61
FR	Traduction de la notice originale	18	HR	Prevedeno s izvornih uputa	68
DE	Übersetzung der Originalbetriebsanleitung	25	RU	Перевод исходных инструкций	74
PL	Tłumaczenie instrukcji oryginalnej	33	AR	ترجمة التعليمات الأصلية	83
CS	Překlad původního návodu k používání	40			
SK	Preklad pôvodného návodu na použitie	47			



THE EXCHANGEABLE BATTERY PLATFORM



WWW.FERM.COM



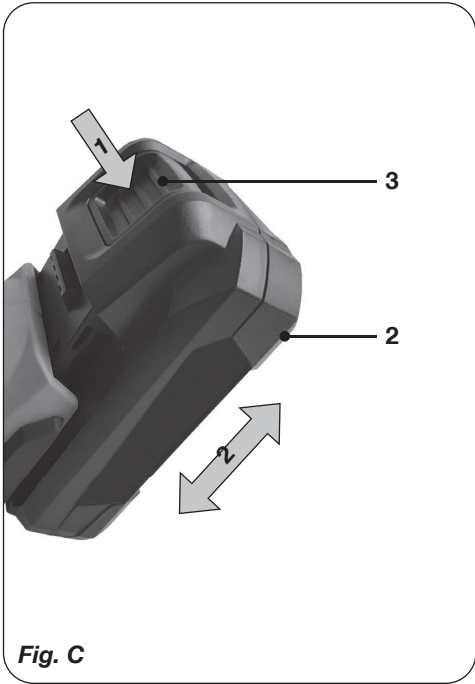


Fig. C

HEDGE TRIMMER HTM1005

Thank you for buying this FERM product. By doing so you now have an excellent product, delivered by one of Europe's leading suppliers. All products delivered to you by Ferm are manufactured according to the highest standards of performance and safety. As part of our philosophy we also provide an excellent customer service, backed by our comprehensive warranty. We hope you will enjoy using this product for many years to come.

1. SAFETY INSTRUCTIONS



Read the enclosed safety warnings, the additional safety warnings and the instructions. Failure to follow the safety warnings and the instructions may result in electric shock, fire and/or serious injury. **Save the safety warnings and the instructions for future reference.**

The following symbols are used in the user manual or on the product:



Read the user manual.



Denotes risk of personal injury, loss of life or damage to the tool in case of non-observance of the instructions in this manual.



Risk of flying objects. Keep bystanders away from the work area.



Do not expose to rain.



DANGER! Keep hands away from blade.



Wear safety goggles.
Wear hearing protection.



Wear safety gloves.



Before cleaning and maintenance, always switch off the machine and remove the battery pack from the machine.



Do not dispose of the product in unsuitable containers.



The product is in accordance with the applicable safety standards in the European directives.

GENERAL POWER TOOL SAFETY WARNINGS



WARNING! Read all safety warnings and all instructions. Failure to follow the warnings and instructions may result in electric shock, fire and/or serious injury.

Save all warnings and instructions for future reference. The term "power tool" in the warnings refers to your mains-operated (corded) power tool or battery-operated (cordless) power tool.

1) Work area safety

- Keep the work area clean and well lit.** Cluttered or dark areas invite accidents.
- Do not operate power tools in explosive atmospheres, such as in the presence of flammable liquids, gases or dust.** Power tools create sparks which may ignite the dust or fumes.
- Keep children and bystanders away while operating a power tool.** Distractions can cause you to lose control.

2) Electrical safety

- Power tool plugs must match the outlet. Never modify the plug in any way. Do not use any adapter plugs with earthed (grounded) power tools.** Unmodified plugs and matching outlets will reduce risk of electric shock.
- Avoid body contact with earthed or grounded surfaces, such as pipes, radiators, ranges and refrigerators.** There is an increased risk of electric shock if your body is earthed or grounded.
- Do not expose power tools to rain or wet conditions.** Water entering a power tool will increase the risk of electric shock.
- Do not abuse the cord. Never use the cord**

for carrying, pulling or unplugging the power tool. Keep cord away from heat, oil, sharp edges or moving parts. Damaged or entangled cords increase the risk of electric shock.

e) **When operating a power tool outdoors, use an extension cord suitable for outdoor use.** Use of a cord suitable for outdoor use reduces the risk of electric shock.

f) **If operating a power tool in a damp location is unavoidable, use a residual current device (RCD) protected supply.** Use of an RCD reduces the risk of electric shock.

3) Personal safety

a) **Stay alert, watch what you are doing and use common sense when operating a power tool. Do not use a power tool while you are tired or under the influence of drugs, alcohol or medication.** A moment of inattention while operating power tools may result in serious personal injury.

b) **Use personal protective equipment. Always wear eye protection.** Protective equipment such as dust mask, non-skid safety shoes, hard hat, or hearing protection used for appropriate conditions will reduce personal injuries.

c) **Prevent unintentional starting. Ensure the switch is in the off-position before connecting to power source and/or battery pack, picking up or carrying the tool.** Carrying power tools with your finger on the switch or energising power tools that have the switch on invites accidents.

d) **Remove any adjusting key or wrench before turning the power tool on.** A wrench or a key left attached to a rotating part of the power tool may result in personal injury.

e) **Do not overreach. Keep proper footing and balance at all times.** This enables better control of the power tool in unexpected situations.

f) **Dress properly. Do not wear loose clothing or jewellery. Keep your hair, clothing and gloves away from moving parts.** Loose clothes, jewellery or long hair can be caught in moving parts.

g) **If devices are provided for the connection of dust extraction and collection facilities, ensure these are connected and properly used.** Use of dust collection can reduce dust related hazards.

h) **Do not let familiarity gained from frequent use of tools allow you to become complacent and ignore tool safety principles.** A careless action can cause severe injury within a fraction of a second.

4) Power tool use and care

a) **Do not force the power tool. Use the correct power tool for your application.** The correct power tool will do the job better and safer at the rate for which it was designed.

b) **Do not use the power tool if the switch does not turn it on and off.** Any power tool that cannot be controlled with the switch is dangerous and must be repaired.

c) **Disconnect the plug from the power source and/or the battery pack from the power tool before making any adjustments, changing accessories, or storing power tools.** Such preventive safety measures reduce the risk of starting the power tool accidentally.

d) **Store idle power tools out of the reach of children and do not allow persons unfamiliar with the power tool or these instructions to operate the power tool.**

Power tools are dangerous in the hands of untrained users.

e) **Maintain power tools. Check for misalignment or binding of moving parts, breakage of parts and any other condition that may affect the power tool's operation. If damaged, have the power tool repaired before use.** Many accidents are caused by poorly maintained power tools.

f) **Keep cutting tools sharp and clean.** Properly maintained cutting tools with sharp cutting edges are less likely to bind and are easier to control.

g) **Use the power tool, accessories and tool bits etc. in accordance with these instructions, taking into account the working conditions and the work to be performed.** Use of the power tool for operations different from those intended could result in a hazardous situation.

h) **Keep handles and grasping surfaces dry, clean and free from oil and grease.** Slippery handles and grasping surfaces do not allow for safe handling and control of the tool in unexpected situations.

5) Battery tool use and care

- a) **Recharge only with the charger specified by the manufacturer.** A charger that is suitable for one type of battery pack may create a risk of fire when used with another battery pack.
 - b) **Use power tools only with specifically designated battery packs.** Use of any other battery packs may create a risk of injury and fire.
 - c) **When battery pack is not in use, keep it away from other metal objects, like paper clips, coins, keys, nails, screws or other small metal objects that can make a connection from one terminal to another.** Shorting the battery terminals together may cause burns or a fire.
 - d) **Under abusive conditions, liquid may be ejected from the battery; avoid contact. If contact accidentally occurs, flush with water. If liquid contacts eyes, additionally seek medical help.** Liquid ejected from the battery may cause irritation or burns.
 - e) **Do not use a battery pack or tool that is damaged or modified.** Damaged or modified batteries may exhibit unpredictable behaviour resulting in fire, explosion or risk of injury.
 - f) **Do not expose a battery pack or tool to fire or excessive temperature.** Exposure to fire or temperature above 130 °C may cause explosion. NOTE The temperature „130 °C“ can be replaced by the temperature „265 °F“.
 - g) **Follow all charging instructions and do not charge the battery pack or tool outside the temperature range specified in the instructions.** Charging improperly or at temperatures outside the specified range may damage the battery and increase the risk of fire.
- 6) Service**
- a) **Have your power tool serviced by a qualified repair person using only identical replacement parts.** This will ensure that the safety of the power tool is maintained.
 - b) **Never service damaged battery packs.** Service of battery packs should only be performed by the manufacturer or authorized service providers.

ADDITIONAL SAFETY WARNINGS FOR HEDGE TRIMMER

- Keep the area you are working in clean and tidy.
- Always hold the trimmer properly. When operating us both hands.

- If you are using a means of support to raise yourself off the ground, ensure that it is stable and cannot topple over - do not overreach at any time.
- Do not use power tools in the rain or wet environments. Do not use power tools where there is a risk of fire or explosion - i.e. near flammable liquids or gases.
- Do not allow children into the area where you are working.
- Do not let children or other people touch power tools.
- Do not leave the power tool unattended.
- Store in a dry place well out of reach of children.
- Always use safety glasses and gloves. We also recommend the use of ear protectors.
- Wear the right clothes - not loose fitting or jewellery and ensure garments cannot come into contact with moving parts.
- If you have long hair, tie it back safely to avoid tangling it in moving parts.
- Before using any power tool, check first for damaged parts and if found do not use it before the part or parts have been replaced with new ones.
- Do not use power tools when you are tired or have been drinking alcohol.
- Do not force the appliance - let it work at the rate for which it was intended.
- Do not overreach while working - you may lose your balance.
- Never use this appliance without the blade guard fitted. It must always remain fitted.
- Only use spare parts and attachments supplied by FERM. Use of attachments other than those supplied or recommended by FERM will invalidate your guarantee and could be dangerous.
- Only use this appliance for its intended purpose trimming hedges and bushes.



Above all be carefull!



Danger!

- a) **Keep all parts of the body away from the blade. Do not remove cut material or hold material to be cut when blades are moving.** *Blades continue to move after the switch is*

turned off. A moment of inattention while operating the hedge trimmer may result in serious personal injury.

- b) **Carry the hedge trimmer by the handle with the blade stopped and taking care not to operate any power switch.** *Proper carrying of the hedge trimmer will decrease the risk of inadvertent starting and resultant personal injury from the blades.*
- c) **When transporting or storing the hedge trimmer, always fit the blade cover.** *Proper handling of the hedge trimmer will decrease the risk of personal injury from the blades.*
- d) **When clearing jammed material or servicing the unit, make sure all power switches are off and the power cord is disconnected.** *Unexpected actuation of the hedge trimmer while clearing jammed material or servicing may result in serious personal injury.*
- e) **Hold the hedge trimmer by insulated gripping surfaces only, because the blade may contact hidden wiring or its own cord.** *Blades contacting a "live" wire may make exposed metal parts of the hedge trimmer "live" and could give the operator an electric shock.*
- f) **Keep all power cords and cables away from cutting area.** *Power cords or cables may be hidden in hedges or bushes and can be accidentally cut by the blade.*
- g) **Do not use the hedge trimmer in bad weather conditions, especially when there is a risk of lightning.** *This decreases the risk of being struck by lightning.*
- h) **Inspect and maintain the trimmer regularly.** *Have the trimmer repaired only by an authorised repairer.*
- i) **Keep your hands and feet away from the cutting area at all times.**
- j) **Always hold the trimmer at a safe distance from the body.**
- k) **Always wear protective goggles.**
- l) **Always wear gloves.**
- m) **Only use the trimmer in daylight.**
- n) **Ensure the ventilation openings are clear of debris at all times.**
- o) **Ensure there are no people or animals within 5 metres of your trimming area.**

ADDITIONAL SAFETY WARNINGS FOR CORDLESS HEDGE TRIMMER


- Do not charge hedge trimmer in rain, or in wet locations.
- Do not use battery-operated hedge trimmer in rain.
- Remove or disconnect battery before servicing, cleaning, or removing material from the hedge trimmer.
- Do not dispose of the battery(ies) in a fire. The cell may explode. Check with local codes for possible special disposal instructions.

2. MACHINE INFORMATION

Intended use

This hedge trimmer is only intended for cutting branches from shrubs, bushes, ornamental plants and hedges.

TECHNICAL SPECIFICATIONS

Model No.	HTM1005
Rated voltage	20V 
No load speed	1.200/min.
Cutting length	450mm
Cutting width	14mm
Weight	1.98 kg
Sound pressure level LPA	81.3 db (A), KpA=3 dB (A)
Sound power level LWA	92.9 db (A), KwA=3 dB (A)
Vibration value:	
Front handle Ah	2.459 m/s ² , K=1.5 m/s ²
Rear handle Ah	1.754 m/s ² , K=1.5 m/s ²

Only use the following batteries of the FX-POWER 20V battery platform. Using any other batteries could cause serious injury or damage the tool.

CDA1167	20V, 2Ah Lithium-Ion
CDA1168	20V, 4Ah Lithium-Ion

The following charger of the can be used to charge these batteries.

CDA1169	Charger adapter
CDA1170	Quick charger

The batteries of the FX-POWER 20V battery platform are interchangeable with all the FERM FX-POWER battery platform tools.

Vibration level

The vibration emission level stated in this instruction manual has been measured in accordance with a standardized test given in EN 62841; it may be used to compare one tool with another and as a preliminary assessment of exposure to vibration when using the tool for the applications mentioned.

- Using the tool for different applications, or with different or poorly maintained accessories, may significantly increase the exposure level.
- The times when the tool is switched off or when it is running but not actually doing the job, may significantly reduce the exposure level.

Protect yourself against the effects of vibration by maintaining the tool and its accessories, keeping your hands warm, and organizing your work patterns.

DESCRIPTION

The numbers in the text refer to the diagrams on page 2-3.

1. On/Off button
2. Battery (not included)
3. Battery unlock button
4. Cutting blade
5. Protection guard
6. Front handle
7. Safety switch
8. Transport protection

3. ASSEMBLY



Before any work on the power tool, remove the battery.



The battery must be charged before first use.

Mounting the front handle (Fig. B)

1. Put the front handle (6) on the machine, as shown on figure B.
2. Mount the front handle (6) by tightening the screw.

Mounting the protection guard (Fig. C)



You may not use the hedge trimmer without the protection guard

1. Put the protection guard (5) on the machine, as shown on figure C.
2. Mount the protection guard (5) by tightening the screw.

Inserting the battery into the machine (Fig. A, D)



Ensure that the exterior of the battery is clean and dry before connecting to the charger or machine.

1. Insert the battery (2) into the base of the machine as shown in Fig. D.
2. Push the battery further forward until it clicks into place.

Removing the battery from the machine (Fig. A, D)

1. Push the battery unlock button (3)
2. Pull the battery out of the machine like shown in Fig. D.

4. OPERATION



Before using, always visually inspect to see that the blades, blade bolts and cutter assembly are not worn or damaged.



You may not use the hedge trimmer without the protection guard.



Always use both hands to hold the hedge trimmer and keep it away from your own body.

Using your hedge trimmer

- For your own safety and for best results read the following user advice and do not use this product for anything other than its intended purpose.
- This hedge trimmer is made for cutting hedges and bushes. All other use that is not specifically allowed in this manual may lead to damage to the hedge trimmer or injury to the user.

Switching on and off (Fig. A)

- To switch the trimmer on, press the safety switch (7) and the start switch (1) at the same time.
- To switch off, release one or both switches.

Trimming a hedge - best method

- Apart from hedges the hedge trimmer may also be used for cutting bushes.
- The best cutting effect is achieved when holding the blade at an angle to the of approx. 15°.
- The opposite rotating knives cut on both sides, and it is therefore possible to trim the hedge in both directions.
- The side of the hedge are trimmed using curved shaped movements from the bottom and upwards.
- Ideally a hedge should be wider at the bottom than the top. This will improve light penetration, keeping the hedge healthy. If possible, trim both sides of the hedge.
- When trimming the sides of the hedge, trim from the bottom upwards. This will ensure there are no hedge trimmings obscuring or interfering with your cut strokes. The blade should not be forced to cut too deep. Cut lightly through the surface of the hedge.
- When trimming the top of the hedge, trim away from you but do not over-reach. It is much wiser and safer to move along and cut within your reach remaining on two feet at all times.

Safety transport

The hedge trimmer has a transport protection Cover (8) for save transportation of the machine.

5. MAINTENANCE



Before cleaning and maintenance, always switch off the machine and remove the battery pack from the machine.

Clean the machine casings regularly with a soft cloth, preferably after each use. Make sure that the ventilation openings are free of dust and dirt. Remove very persistent dirt using a soft cloth moistened with soapsuds. Do not use any solvents such as gasoline, alcohol, ammonia, etc. Chemicals such as these will damage the synthetic components.

Cutting blade

- Always wear gloves when handling or cleaning the cutting blade.
- Clean the cutting blade and spray with a

protective oil after every use. We recommend lubricating the cutting blade with protective oil at regular intervals during long working periods.

- Visually inspect the condition of the cutting blade. Check that the screws are firmly seated in the cutter bar.
- Ensure that the blade guard is fitted on the machine.

Storage

The hedge trimmer should be kept in a safe, dry place, well out of the reach of children. Do not place other objects on top of it.

ENVIRONMENT



Faulty and/or discarded electrical or electronic apparatus have to be collected at the appropriate recycling locations.

Only for EC countries

Do not dispose of power tools into domestic waste. According to the European Guideline 2012/19/EC for Waste Electrical and Electronic Equipment and its implementation into national right, power tools that are no longer usable must be collected separately and disposed of in an environmentally friendly way.

WARRANTY

FERM products are developed to the highest quality standards and are guaranteed free of defects in both materials and workmanship for the period lawfully stipulated starting from the date of original purchase. Should the product develop any failure during this period due to defective material and/or workmanship then contact your FERM dealer directly.

The following circumstances are excluded from this guarantee:

- Repairs and or alterations have been made or attempted to the machine by unauthorized service centers.
- Normal wear and tear.
- The tool has been abused, misused or improperly maintained.
- Non-original spare parts have been used

This constitutes the sole warranty made by company either expressed or implied. There are no other warranties expressed or implied which extend beyond the face hereof, herein, including the implied warranties of merchantability and fitness for a particular purpose. In no event shall FERM be liable for any incidental or consequential damages. The dealers remedies shall be limited to repair or replacement of nonconforming units or parts.

The product and the user manual are subject to change. Specifications can be changed without further notice.

HEGGENSCHAAR HTM1005

Hartelijk dank voor de aanschaf van dit FERM product. Hiermee heeft u een uitstekend product aangeschaft van één van de toonaangevende Europese distributeurs. Alle Ferm producten worden gefabriceerd volgens de hoogste prestatie- en veiligheidsnormen. Deel van onze filosofie is de uitstekende klantenservice die wordt ondersteund door onze uitgebreide garantie. Wij hopen dat u vele jaren naar tevredenheid gebruik zult maken van dit product.

1. VEILIGHEIDSVOORSCHRIFTEN



**Lees de bijgesloten veiligheids-
waarschuwingen, de aanvullende
veiligheidswaarschuwingen en de
instructies.** Het niet opvolgen van de
veiligheidswaarschuwingen kan
elektrische schokken, brand en/of ernstig
letsel tot gevolg hebben. **Bewaar de
veiligheidswaarschuwingen en
instructies als naslagwerk voor later.**

De volgende symbolen worden gebruikt in de gebruikershandleiding of op het product:



Lees de gebruikershandleiding.



Gevaar voor lichamelijk letsel, overlijden of schade aan de machine wanneer de instructies in deze handleiding niet worden opgevolgd



Gevaar voor rondvliegende voorwerpen. Houd omstanders uit de buurt van het werkgebied.



Stel de machine niet bloot aan regen.



GEVAAR - Houd uw handen weg bij het blad.



Draag een veiligheidsbril.
Draag gehoorbescherming.



Draag veiligheidshandschoenen.



Schakel de machine altijd uit en verwijder de accu eruit voor u de machine reinigt of onderhoud uitvoert.



Werp het product niet weg in ongeschikte containers.



Het product is in overeenstemming met de van toepassing zijnde veiligheidsnormen in de Europese richtlijnen.

ALGEMENE VEILIGHEIDSVORSCHRIFTEN



WAARSCHUWING! Lees alle veiligheidswaarschuwingen en alle instructies. Het niet opvolgen van onderstaande instructies kan leiden tot een elektrische schok, brand en/of ernstig persoonlijk letsel.

Bewaar deze instructies.

De term "elektrisch gereedschap" in onderstaande waarschuwingen heeft betrekking op zowel apparatuur met een vaste elektriciteitskabel als op apparatuur met een accu (draadloze apparatuur).

1) Werkgebied

- Zorg voor een opgeruimde en goed verlichte werkomgeving.** Rommelige en donkere werkomgevingen leiden tot ongelukken.
- Gebruik elektrisch gereedschap nooit in een omgeving waar explosiegevaar bestaat, zoals in de nabijheid van ontvlambare vloeistoffen, gassen, dampen of andere stoffen.** Elektrische gereedschappen kunnen vonken veroorzaken, die deze stoffen tot ontbranding kunnen brengen.
- Wanneer u elektrisch gereedschap gebruikt, houd dan kinderen en omstanders op afstand.** Wanneer u wordt afgeleid, kunt u de controle over het gereedschap verliezen.

2) Elektrische veiligheid

- Stekkers van elektrische gereedschappen moeten probleemloos passen op het stopcontact.** Breng nooit wijzigingen aan in of aan de stekker. Gebruik geen adapters voor geaarde elektrische

gereedschappen. Standaardstekkers en passende stopcontacten verkleinen de kans op een elektrische schok.

- Voorkom lichamelijk contact met geaarde oppervlakken van bijvoorbeeld pijpen, leidingen, radiatoren, fornuizen en koelkasten.** Wanneer uw lichaam geaard is, wordt de kans op een elektrische schok groter.
 - Stel elektrische gereedschappen nooit bloot aan regen of vocht.** Wanneer er water binnendringt in een elektrisch gereedschap, wordt de kans op een elektrische schok groter.
 - Gebruik het snoer niet om het elektrisch gereedschap te dragen, te verplaatsen of de stekker uit het stopcontact te trekken.** Bescherm het snoer tegen olie, warmte, scherpe randen en bewegende delen. Beschadigde of vastzittende snoeren vergroten de kans op een elektrische schok.
 - Wanneer u elektrische gereedschappen buiten gebruikt, gebruik dan een verlengkabel die geschikt is voor buitengebruik.** Door een kabel te gebruiken die geschikt is voor buitengebruik, wordt de kans op een elektrische schok kleiner.
 - Gebruik een aardlekbeveiliging (RCD) als niet te voorkomen is dat een power tool moet worden gebruikt in een vochtige omgeving.** Gebruik van een RCD vermindert het risico van elektrische schokken.
- #### 3) Persoonlijke veiligheid
- Blijf altijd alert, kijk goed wat u doet en gebruik uw gezonde verstand wanneer u een elektrisch gereedschap gebruikt.** Gebruik geen elektrische gereedschappen wanneer u moe bent, of drugs, alcohol of medicijnen hebt gebruikt. Eén moment van onachtzaamheid bij het gebruik van elektrische gereedschappen kan ernstige verwondingen tot gevolg hebben.
 - Gebruik persoonlijke beschermingsmiddelen. Draag altijd een veiligheidsbril.** Een gepast gebruik van veiligheidsvoorzieningen, zoals een stof masker, speciale werkschoenen met antislipzolen, een veiligheidshelm en gehoor bescherming verkleinen de kans op persoonlijk letsel.
 - Voorkom dat het gereedschap per ongeluk wordt gestart. Zorg dat de schakelaar op de UITpositie staat, voordat u de stekker**

- in het stopcontact steekt.** Draag elektrisch gereedschap nooit met uw vinger op de schakelaar en steek ook nooit de stekker van ingeschakelde elektrische gereedschappen in het stopcontact: dit leidt tot ongelukken.
- d) **Verwijder alle instel en andere sleutels uit het elektrisch gereedschap voordat u hem inschakelt.** Instel en andere sleutels aan een ronddraaiend onderdeel van het elektrisch gereedschap kunnen tot verwondingen leiden.
 - e) **Zorg dat u nooit uw evenwicht kunt verliezen; houd altijd twee voeten stevig op de vloer.** Hierdoor kunt u het elektrisch gereedschap in onverwachte situaties beter onder controle houden.
 - f) **Zorg dat u geschikte kleding draagt. Draag geen loshangende kleding of sieraden. Houd uw haar, kleding en handschoenen uit de buurt van bewegende delen.** Loshangende kleding, sieraden en lang haar kunnen vast komen te zitten in bewegende delen.
 - g) **Wanneer er voorzieningen zijn voor de aansluiting van stofafzuiginstallaties, zorg dan dat ze op de juiste wijze worden aangesloten en gebruikt.** Gebruik van deze voorzieningen vermindert de gevaren die door stof worden veroorzaakt.
 - h) Denk niet dat doordat u gereedschap vaak gebruikt, u wel weet hoe het allemaal werkt en dat u de veiligheidsbeginselen voor het gebruik van het gereedschap wel kunt negeren. Een onbezonnen actie kan in een fractie van een seconde ernstig letsel tot gevolg hebben.
- 4) Gebruik en onderhoud van elektrisch gereedschap**
- a) **Oefen geen overmatige kracht uit op elektrisch gereedschap. Gebruik het juiste gereedschap voor uw specifieke toepassing.** Met het juiste elektrische gereedschap voert u de taak beter en veiliger uit wanneer dit op de snelheid gebeurt waarvoor het apparaat is ontworpen.
 - b) **Gebruik nooit elektrisch gereedschap waarvan de AAN/UITschakelaar niet werkt.** Ieder elektrisch gereedschap dat niet kan worden in en uitgeschakeld met de schakelaar is gevaarlijk en moet worden gerepareerd.
 - c) **Trek de stekker uit het stopcontact voordat u wijzigingen aanbrengt aan elektrische gereedschappen, accessoires verwisselt of het elektrisch gereedschap opbergt.** Wanneer u zich aan deze preventieve veiligheidsmaatregelen houdt, beperkt u het risico dat het gereedschap per ongeluk wordt gestart.
 - d) **Berg elektrisch gereedschap dat niet in gebruik is op buiten bereik van kinderen en laat personen die niet bekend zijn met het gereedschap of deze instructies het apparaat niet gebruiken.** Elektrisch gereedschap is gevaarlijk in de handen van ongeofende gebruikers.
 - e) **Zorg voor een goed onderhoud van elektrisch gereedschap. Controleer of bewegende delen op de juiste wijze zijn vastgezet. Controleer ook of er geen onderdelen defect zijn of dat er andere omstandigheden zijn die van invloed kunnen zijn op de werking van het gereedschap. Laat het gereedschap bij beschadigingen repareren vóór gebruik.** Veel ongelukken worden veroorzaakt door slecht onderhoud van het gereedschap.
 - f) **Zorg dat snij en zaagwerktuigen scherp en schoon blijven.** Goed onderhouden snij en zaagwerktuigen met scherpe randen zullen minder snel vastlopen en zijn eenvoudiger onder controle te houden.
 - g) **Gebruik alle elektrische gereedschappen, accessoires, bitjes etc., zoals aangegeven in deze instructies en op de wijze waarvoor het gereedschap is ontworpen. Houd daarbij rekening met de werkomstandigheden en de uit te voeren taak.** Gebruik van elektrisch gereedschap voor handelingen die afwijken van de taken waarvoor het apparaat is ontworpen kunnen leiden tot gevaarlijke situaties.
 - h) **Houd handgrepen en greepoppervlakken droog, schoon en vrij van olie en vet.** Gladde handgrepen en greepoppervlakken maken veilig werken en controle over het gereedschap in onverwachte situaties onmogelijk.
- 5) Gebruik en onderhoud accugereedschap**
- a) **Laad alleen op met de lader die door de fabrikant is gespecificeerd.** Een lader die voor een bepaalde accu geschikt is, kan brand veroorzaken wanneer deze met een andere accu wordt gebruikt.
 - b) **Gebruik elektrisch gereedschap alleen met de speciaal hiervoor bedoelde accu's.** Gebruik van andere accu's kan kans op letsel

en brand geven.

- c) **Wanneer de accu niet in gebruik is, houd deze dan uit de buurt van andere metalen voorwerpen zoals paperclips, munten, sleutels, spijkers, schroeven of andere kleine metalen voorwerpen die een verbinding tussen twee polen kunnen maken.** Kortsluiting tussen de accupolen kan brandwonden of brand veroorzaken.
- d) **Wanneer de accu niet juist wordt gebruikt, kan er vloeistof uit lopen; raak dit niet aan. Wanneer dit per ongeluk wel gebeurt, spoel dan met water. Wanneer de vloeistof in de ogen komt, moet u een arts raadplegen.** De vloeistof uit de accu kan irritaties of brandwonden veroorzaken.
- e) **Gebruiken niet een accu of gereedschap dat beschadigd is of gemodificeerd.** Beschadigde of gemodificeerde accu's kunnen onvoorspelbaar gedrag vertonen, wat brand, explosie of een risico van letsel met zich meebrengt.
- f) **Stel een accu over het gereedschap niet bloot aan open vuur of een uitzonderlijk hoge temperatuur.** Blootstelling aan vuur of een temperatuur hoger dan 130 °C, kan een explosie veroorzaken. NB De temperatuur van "130 °C" kan worden vervangen door de temperatuur van "265 °F".
- g) **Houd u aan alle instructies voor het laden en laad de accu of het gereedschap niet op buiten het temperatuurbereik dat in de instructies wordt aangeduid.** Op een onjuiste wijze laden of laden bij temperaturen buiten het aangeduide bereik kan de accu beschadigen en het risico van brand doen toenemen.
- 6) **Service**
- a) **Laat uw gereedschap onderhouden door een gekwalificeerde onderhoudstechnicus die alleen gebruikmaakt van identieke vervangingsonderdelen.** Dit zorgt ervoor dat de veiligheid van de power tool intact blijft.
- b) **Voer nooit servicewerkzaamheden uit aan beschadigde accu's.** Alleen de fabrikant of geautoriseerde service-providers mogen servicewerkzaamheden aan accu's uitvoeren.

AANVULLENDE VEILIGHEIDS-INSTRUCTIE VOOR HEGGENSCHAAR

- Houd het terrein waar u werkt schoon en opgeruimd.
- Houd de heggenschaar altijd op juiste wijze vast. Houd de heggenschaar tijdens het werken met beide handen vast.
- Gebruikt u een hulpmiddel om op hoogte te kunnen werken, let er dan op dat het stabiel is en niet kan omvallen - reik nooit buiten uw macht.
- Stel elektrisch gereedschap niet bloot aan regen en natte omstandigheden. Gebruik elektrisch gereedschap niet op een plaats waar er gevaar is voor brand of explosie - bijv. in de buurt van brandbare vloeistoffen of gassen.
- Laat niet kinderen toe op het terrein waar u aan het werk bent.
- Laat niet kinderen of andere mensen elektrisch gereedschap aanraken.
- Laat het elektrisch gereedschap niet onbeheerd achter.
- Berg het gereedschap op een droge plaats op, ruim buiten bereik van kinderen.
- Gebruik altijd een veiligheidsbril en veiligheidshandschoenen. Wij adviseren u ook gehoorbescherming te gebruiken.
- Draag de juiste kleding - geen losse kleding of sieraden en zorg ervoor dat kledingstukken niet in contact kunnen komen met bewegende onderdelen.
- Heeft u lang haar, bind het dan veilig op uw rug zodat het niet verstrikt kan raken in bewegende onderdelen.
- Controleer elektrisch gereedschap, voordat u het gebruikt, eerst op beschadigde onderdelen en, laat eventuele beschadigde onderdelen vervangen door nieuwe voordat u het gereedschap gebruikt.
- Gebruik elektrisch gereedschap niet wanneer u moe bent of wanneer u alcohol heeft gedronken.
- Oefen geen grote kracht op het apparaat uit - laat het werken op de snelheid waarvoor het is bedoeld.
- Reik tijdens het werken niet buiten uw macht - u zou uw evenwicht kunnen verliezen.
- Gebruik dit apparaat nooit zonder dat de beschermkap van het snijmes is gemonteerd. De kap moet altijd gemonteerd blijven.
- Gebruik alleen onderdelen en hulpstukken

die worden geleverd door FERM. Gebruik van hulpstukken die niet door FERM worden geleverd of aanbevolen, zal de garantie doen vervallen en kan gevaarlijk zijn.

- Gebruik dit apparaat alleen voor toepassingen waarvoor het is bedoeld - het knippen van heggen en struiken.



Ga vooral voorzichtig te werk!



Gevaar!

- Houd alle lichaamsdelen weg bij het blad. Als de bladen in beweging zijn, nooit gemaaid materiaal en/of te maaien materiaal met de handen vasthouden.** De bladen blijven in beweging als de machine recent is uitgeschakeld. Een ogenblik van onoplettendheid tijdens het werken met de heggenschaar kan ernstig persoonlijk letsel tot gevolg hebben.
- Draag de heggenschaar aan de handgreep, terwijl het blad is gestopt en let op dat u geen enkele knop aanraakt zodat het apparaat nooit per ongeluk kan worden ingeschakeld.** Het op de juiste manier dragen van de heggenschaar voorkomt het abusievelijk starten en het daaruit volgende persoonlijk letsel als gevolg van de bladen.
- Dek de messen altijd af met de mesbeschermer wanneer u de heggenschaar vervoert of opbergt.** Het op de juiste manier dragen van de heggenschaar zorgt voor minder risico op persoonlijk letsel als gevolg van de bladen.
- Voorafgaand aan het verwijderen van vastzittend materiaal of het onderhouden van het apparaat, moet eerst worden gecontroleerd of alle schakelaars zijn uitgeschakeld en het snoer niet meer in het stopcontact steekt.** Het tijdens het verwijderen van vastzitten materiaal of tijdens het onderhoud van de heggenschaar, kan het onverwacht inschakelen van de heggenschaar tot ernstig persoonlijk letsel leiden.
- Houd de heggenschaar uitsluitend vast aan de geïsoleerde handgrepen, omdat het blad mogelijk een verborgen bedrading of het**

eigen snoer kan raken. Bladen die in contact komen met onder spanning staande bedrading kunnen de metalen delen van de heggenschaar onder stroom zetten en de gebruiker een elektrische schok geven.

- Houd alle netsnoeren en kabels uit de buurt van het maaigebied.** Netsnoeren of kabels kunnen in heggen of struiken zijn verborgen en per ongeluk door het mes worden doorgesneden.
- Nooit onder slechte weersomstandigheden met de heggenschaar werken, vooral niet wanneer onweer dreigt.** Hierdoor wordt het risico op blikseminslag voorkomen.
- Inspecteer en onderhoud de heggenschaar regelmatig.** Laat de heggenschaar uitsluitend repareren door een geautoriseerde servicemonteur.
- Houd uw handen en voeten altijd weg bij het gebied waar u knipt.**
- Houd de heggenschaar altijd op een veilige afstand van uw lichaam.**
- Draag altijd een veiligheidsbril.**
- Draag altijd handschoenen.**
- Werk met de heggenschaar uitsluitend bij daglicht.**
- Let erop dat de ventilatie-openingen altijd vrij zijn van vuil.**
- Let erop dat er geen mensen of dieren mogen zijn op een afstand van minder dan 5 m van het gebied waar u knipt.**

AANVULLENDE VEILIGHEIDSWAARSCHUWINGEN VOOR SNOERLOZE HEGGENSCHAAR


- Laad de heggenschaar niet op in de regen, of op natte locaties.
- Gebruik de accu-heggenschaar niet in de regen.
- Neem de accu uit of koppel de accu los voor u onderhouds- of schoonmaakwerk uitvoert of materiaal uit de heggenschaar verwijdert.
- Gooi de accu('s) niet in het vuur. De cel zou kunnen exploderen. Ga na of er ter plaatse voorschriften zijn met speciale aanwijzingen voor het opruimen van accu's.

2. TECHNISCHE INFORMATIE

Bedoeld gebruik

De heggenschaar is uitsluitend bedoeld voor het knippen van takken van struiken, heesters, sierplanten en heggen.

TECHNISCHE SPECIFICATIES

Modelnr.	HTM1005
Nominale spanning	20V 
Onbelaste snelheid	1.200/min.
Snijlengte	450mm
Snijbreedte	14mm
Gewicht	1.98 kg
LPA (geluidsdruk)	81.3 db (A), KpA=3 dB (A)
LWA (geluidsdruk)	92.9 db (A), KwA=3 dB (A)
Trillingswaarde:	
Voorste handgreep Ah	2.459 m/s ² , K=1.5 m/s ²
Achterste handgreep Ah	1.754 m/s ² , K=1.5 m/s ²

Gebruik uitsluitend de volgende accu's van het FX-POWER 20V accu-platform. Gebruik van andere accu's kan leiden tot ernstig letsel of tot beschadiging van het gereedschap.

CDA1167 20V, 2Ah Lithium-Ion
CDA1168 20V, 4Ah Lithium-Ion

De volgende lader kan worden gebruikt voor het opladen van deze accu's.

CDA1169 Lader-adapter
CDA1170 Snellader

De accu's van het FX-POWER 20V accuplatform kunnen worden gewisseld tussen alle gereedschappen van het FERM FX-POWER 20V accu-platform.

Trillingsniveau

Het trillingsemissieniveau, dat in deze gebruiksaanwijzing wordt vermeld, is gemeten in overeenstemming met een gestandaardiseerde test volgens EN 62841; deze mag worden gebruikt om twee machines met elkaar te vergelijken en als voorlopige beoordeling van de blootstelling aan trilling bij gebruik van de machine voor de vermelde toepassingen

- gebruik van de machine voor andere toepassingen, of met andere of slecht onderhouden accessoires, kan het blootstellingsniveau aanzienlijk verhogen

- wanneer de machine is uitgeschakeld of wanneer deze loopt maar geen werk verricht, kan dit het blootstellingsniveau aanzienlijk reduceren

Bescherm uzelf tegen de gevolgen van trilling door de machine en de accessoires te onderhouden, uw handen warm te houden en uw werkwijze te organiseren.

BESCHRIJVING

De nummers in de tekst verwijzen naar de diagram men op pagina 2-3.

1. Schakelaar Aan / Uit
2. Accu (niet inbegrepen)
3. Ontgrendelknop accu
4. Maaiblad
5. Ontgrendelingshendel voor beschermkap
6. Voorste handgreep
7. Veiligheidsschakelaar
8. Transportbeveiliging

3. ASSEMBLAGE



Neem altijd voor werkzaamheden aan het elektrische gereedschap de accu uit het gereedschap. De accu moet zijn opgeladen voordat deze voor het eerst wordt gebruikt.

De voorste handgreep monteren (Afb. B)

1. Zet de voorste handgreep (6) op de machine, zoals wordt getoond in afbeelding B.
2. Monteer de voorste handgreep (6) door de schroef vast te zetten.

De beschermkap monteren (Afb. C)



U mag de heggenschaar niet gebruiken zonder de beschermkap.

1. Zet de beschermkap (5) op de machine, zoals wordt getoond in afbeelding C.
2. Monteer de beschermkap (5) door de schroef vast te zetten.

De accu in de machine plaatsen (Afb. A, D)

Zorg ervoor dat het oppervlak van de accu schoon en droog is voordat u deze op de acculader of de machine aansluit.

1. Plaats de accu (2) in de onderkant van de machine, zoals is weergegeven in Fig. D.
2. Duw de accu verder naar voren tot deze vastklikt.

De accu van de machine verwijderen (Afb. A, D)

1. Duw op de ontgrendelingsknop van de accu (3)
2. Trek de accu uit de machine zoals afgebeeld in Fig. D.

4. BEDIENING

Voer altijd een visuele inspectie uit voordat u het gereedschap gebruikt, om te zien of de snijbladen, de bouten van de snijbladen en het zwaard niet versleten of beschadigd zijn.



U mag de heggenschaar niet gebruiken zonder de beschermkap.



Houd de heggenschaar met beide handen vast en houd het apparaat van uw lichaam vandaan.

Werken met uw eigen schaar

- Lees voor uw eigen veiligheid en voor het beste resultaat de volgende gebruiksaanwijzingen en gebruik dit product niet voor andere toepassingen dan de bedoelde.
- Deze heggenschaar is gemaakt voor het knippen van heggen en struiken. Alle andere toepassingen die niet specifiek in deze handleiding worden toegestaan, kunnen leiden tot beschadiging van de heggenschaar of tot verwonding van de gebruiker.

In-/Uitschakelen (Afb. A)

- Schakel de heggenschaar in door de veiligheidsschakelaar (7) en de startschakelaar (1) tegelijkertijd in te drukken.
- U kunt de heggenschaar uitschakelen door één of beide schakelaars los te laten.

Een heg knippen - beste methode

- U kunt met de heggenschaar heggen maar ook struiken knippen.
- De beste knipresultaten worden bereikt wanneer u het snijblad in een hoek van ongeveer 15° houdt.
- De tegenovergestelde roterende messen knippen aan beide zijden en u kunt dus de heg in beide richtingen knippen.
- Knip de zijkant van de heg in een boogvormige beweging van beneden naar boven.
- In het ideale geval is een heg onderaan breder dan bovenaan. Zo kan het licht beter doordringen in de heg en blijft de heg gezond. Knip beide zijden van de heg, indien mogelijk.
- Knip, wanneer u de zijden van de heg geknipt, van boven naar beneden. Zo zorgt u ervoor dat er geen geknipte takken van de heg uw zicht beperken of uw knipbewegingen belemmeren. U mag het mes niet met geweld diep in de heg steken. Knip met soepele bewegingen door het oppervlak van de heg.
- Knip de bovenzijde van de heg in een beweging die van u af is gericht, maar reik niet buiten uw macht. Het is veel verstandiger en veiliger langs de heg te lopen en binnen uw bereik te knippen terwijl u steeds op beide voeten blijft staan.

Transportbeveiliging

De heggenschaar is voorzien van een transportbeveiliging Kap (8) voor veilig transporteren van de machine.

5. ONDERHOUD

Schakel, voordat u met de reiniging en het onderhoud begint, altijd de machine uit en haal het accupack uit de machine.

Reinig de machinebehuizing regelmatig met een zachte doek, bij voorkeur iedere keer na gebruik. Zorg dat de ventilatiesleuven vrij van stof en vuil zijn. Gebruik bij hardnekkig vuil een zachte doek bevochtigd met zeepwater. Gebruik geen oplosmiddelen als benzine, alcohol, ammonia, etc. Dergelijke stoffen beschadigen de kunststof onderdelen.

Maaiblad

- Draag altijd handschoenen wanneer u het maaiblad hanteert of schoonmaakt.
- Maak het maaiblad schoon en spuit er steeds na gebruik wat beschermende olie op. Wij adviseren u tijdens lange werkperiodes het maaiblad regelmatig met een beschermende olie te smeren.
- Voer een visuele inspectie uit van de staat waarin het maaiblad verkeert. Controleer dat de schroeven stevig vastzitten in het zwaard.
- Let erop dat de beschermkap van het maaiblad op de machine is geplaatst.

Opslag

De heggenschaar moet op een veilige droge plaats worden bewaard, goed buiten bereik van kinderen. Plaats er geen andere voorwerpen bovenop.

MILIEU



Defecte en/of afgedankte elektrische of elektronische gereedschappen dienen ter verwerking te worden aangeboden aan een daarvoor verantwoordelijke instantie.

Uitsluitend voor EG-landen

Werp elektrisch gereedschap niet weg bij het huisvuil. Conform de Europese Richtlijn 2012/19/EG voor Afgedankte Elektrische en Elektronische Apparatuur en de implementatie ervan in nationaal recht moet niet langer te gebruiken elektrisch gereedschap gescheiden worden verzameld en op een milieuvriendelijke wijze worden verwerkt.

GARANTIE

FERM producten zijn ontworpen volgens de hoogste kwaliteitsstandaarden en gegarandeerd vrij van defecten, zowel materieel als fabrieksfouten, tijdens de wettelijk vastgestelde garantieperiode vanaf de eerste aankoopdatum. Mocht het product tijdens deze periode gebreken vertonen veroorzaakt door defecte materialen en/of fabrieksfouten, neem dan rechtstreeks contact op met FERM.

De volgende situaties vallen niet onder de garantie:

- Er zijn reparaties of aanpassingen aan de machine uitgevoerd, of er is een poging daartoe ondernomen, door een niet geautoriseerd servicecentrum.
- Normale slijtage.
- De machine is misbruikt, verkeerd gebruikt of slecht onderhouden.
- Er zijn niet-originele reserveonderdelen gebruikt.

Dit vormt de enige garantie opgesteld door het bedrijf zowel expliciet als impliciet. Er bestaan geen andere garanties expliciet of impliciet welke verder gaan dan deze garantie, inclusief impliciete garanties van verkoopbaarheid en geschiktheid voor bepaalde doeleinden. In geen enkel geval kan FERM aansprakelijk worden gesteld voor incidentele schade of gevolgschade. Reparaties van dealers zijn gelimiteerd tot de reparatie of vervanging van defecte producten of onderdelen.

Het product en de gebruikershandleiding zijn onderhevig aan wijzigingen. Specificaties kunnen zonder opgaaf van redenen worden gewijzigd.

TAILLE-HAIE HTM1005

Merci pour votre achat de ce produit Ferm. Vous disposez maintenant d'un excellent produit, proposé par l'un des principaux fabricants européens. Tous les produits que vous fournissez Ferm sont fabriqués selon les normes les plus exigeantes en matière de performances et de sécurité. Complété par notre garantie très complète, l'excellence de notre service clientèle forme également partie intégrante de notre philosophie. Nous espérons que vous profiterez longtemps de ce produit.

1. CONSIGNES DE SECURITE



En plus des avertissements de sécurité suivants, veuillez également lire les avertissements de sécurité additionnels ainsi que les instructions. *Le non-respect des avertissements de sécurité et des instructions peut entraîner une décharge électrique, un incendie et/ou des blessures graves. **Veuillez conserver les avertissements de sécurité et les instructions pour consultation ultérieure.***

Les symboles suivants sont utilisés dans le manuel d'utilisation ou apposés sur le produit:



Lisez le manuel d'utilisation.



Signale un risque de blessures, un danger mortel ou un risque d'endommagement de l'outil en cas de non-respect des instructions de ce manuel.



Risque de projection d'objets. Maintenez les passants à l'écart de la zone de travail.



Ne pas exposer à la pluie.



DANGER – Gardez vos mains loin de la lame.



Portez des lunettes de protection. Portez une protection auditive.



Portez des gants de sécurité.



Avant toute opération de nettoyage ou de maintenance, éteignez toujours la machine et retirez-en le bloc-batterie.



Ne jetez pas le produit dans des conteneurs qui ne sont pas prévus à cet effet.



Le produit est conforme aux normes de sécurité applicables des directives européennes.

CONSIGNES GÉNÉRALES DE SÉCURITÉ



AVERTISSEMENT! ***Veuillez lire l'intégralité des avertissements de sécurité et des instructions.** Le nonrespect de toutes les instructions indiquées cidessous peut entraîner un risque de choc électrique, d'incendie et/ou de blessures graves.*

Conservez ces instructions.

Le terme "appareil électrique" mentionné dans tous les avertissements cidessous se rapporte à un appareil électrique qui se branche au réseau électrique (grâce à un câble d'alimentation) ou à un appareil électrique (sans fil) fonctionnant grâce à une batterie.

1) Espace de travail

- a) **Veillez toujours à garder votre espace de travail propre et bien éclairé.** Les espaces mal rangés et sombres peuvent être la cause d'accidents.
- b) **N'utilisez pas les appareils électriques dans des environnements susceptibles d'explosion, par exemple en présence de liquides inflammables, de gaz ou de particules.** Les appareils électriques provoquent des étincelles qui peuvent enflammer les particules des émanations.
- c) **Veillez à garder éloignés les enfants et les personnes se trouvant dans votre voisinage, lors de l'utilisation d'un appareil électrique.** Les distractions peuvent vous faire perdre le contrôle de l'appareil.

2) Mesures de sécurité électriques

- a) **Les prises des appareils électriques doivent être raccordées à la prise murale correspondante. Ne modifiez jamais la prise de l'appareil, de quelque façon que ce soit. N'utilisez pas d'adaptateurs qui mettent les appareils électriques à la terre (mise à la masse).** Des prises non modifiées et branchées à la prise murale correspondante réduiront les risques de choc électrique.
- b) **Évitez le contact direct avec les surfaces mises à la terre ou mises à la masse comme les canalisations, les radiateurs, les cuisinières et les réfrigérateurs.** En effet, le risque de choc électrique s'accroît si votre corps est mis à la terre ou à la masse.
- c) **N'utilisez pas d'outils électriques dans des environnements pluvieux ou humides.** Si de l'eau s'introduit dans un appareil électrique, le risque de choc électrique augmentera.
- d) **N'utilisez pas le câble de manière abusive. N'utilisez jamais le câble pour transporter, tirer ou débrancher l'appareil électrique. Veillez à garder le câble éloigné des sources de chaleur, des huiles, des rebords coupants ou des pièces actionnées.** Les câbles endommagés ou entremêlés augmentent le risque de choc électrique.
- e) **Lorsque un appareil est utilisé à l'extérieur, utilisez uniquement un câble prolongateur prévu à cet effet.** L'utilisation d'un câble à usage extérieur réduit le risque de choc électrique.
- f) **Si vous êtes contraint d'utiliser un outil électrique dans un environnement humide, utilisez une alimentation protégée par un dispositif à courant résiduel (RCD).** L'utilisation d'un RCD réduit le risque de décharge électrique.

3) Sécurité personnelle

- a) **Restez vigilant, gardez un œil sur ce que vous faites et utilisez votre sens commun lors de l'utilisation d'un appareil électrique. N'utilisez pas un appareil électrique si vous êtes fatigué ou si vous êtes sous l'influence de drogues, d'alcool ou si vous prenez des médicaments.** Un moment d'inattention lors de l'utilisation des appareils électriques peut entraîner des blessures graves.
- b) **Utilisez un équipement de protection personnelle. Protégez-vous toujours les**

yeux. Les équipements de protection, tels qu'un masque à poussière, des chaussures antidérapantes, des protections auditives ou un casque de sécurité, utilisés dans de bonnes conditions, réduiront le risque de blessures.

- c) **Prévenez tout démarrage involontaire. Assurez-vous que l'interrupteur est sur la position "arrêt avant de brancher l'appareil.** En effet, le transport des appareils électriques en gardant vos doigts sur l'interrupteur, ou le branchement de ces appareils en ayant l'interrupteur sur "marche accidents.
- d) **Retirez les clés de réglage ou les clés de vis de réglage avant d'allumer l'appareil électrique.** Une clé de vis de réglage ou une clé, laissée sur une pièce en mouvement de l'appareil électrique, peut entraîner des lésions corporelles.
- e) **Ne pas se précipiter. Gardez toujours vos pieds à plat et gardez votre équilibre.** Ceci permet de mieux contrôler l'appareil électrique dans des situations imprévues.
- f) **Habilitez-vous convenablement. Ne portez pas de vêtements lâches ou de bijoux. Gardez vos cheveux, vêtements et gants éloignés des pièces actionnées.** En effet, ces derniers peuvent être pris dans les pièces en action.
- g) **Si les appareils sont fournis pour la connexion des équipements d'évacuation et de récupération de la poussière, assurez-vous que ces derniers soient correctement connectés et utilisés.** L'utilisation de ces appareils peut réduire les risques liés à la poussière.
- h) **Ne pensez pas être familiarisé avec l'outil après l'avoir utilisé à de nombreuses reprises, au point de ne plus rester vigilant et d'en oublier les consignes de sécurité.** Toute action imprudente peut engendrer de graves blessures en une fraction de seconde.

4) Utilisation et entretien d'un appareil électrique

- a) **Ne forcez pas l'appareil électrique. Utilisez l'appareil électrique adéquat pour votre application.** Un appareil électrique correctement choisi assurera un meilleur travail et un travail sans danger, au rythme auquel il a été conçu.
- b) **N'utilisez pas l'appareil électrique si l'interrupteur marche/arrêt ne fonctionne pas.** Un appareil électrique qui ne peut pas

- être commandé par l'interrupteur de contrôle est dangereux et doit être réparé.
- c) **Débranchez la prise du bloc d'alimentation avant d'effectuer des réglages, de changer des accessoires, ou de ranger les appareils électriques.** Ces mesures de sécurité préventives réduiront le risque de démarrage involontaire de l'appareil électrique.
 - d) **Rangez les appareils électriques arrêtés hors de la portée des enfants et ne laissez aucune personne, non familiarisée avec l'outil ou ces instructions, utiliser l'appareil électrique.** Les appareils électriques sont dangereux entre les mains d'utilisateurs non formés.
 - e) **Entretenez les appareils électriques. Vérifiez tout défaut d'alignement et l'enchaînement des pièces actionnées, la rupture de ces dernières, et les autres conditions qui peuvent affecter le fonctionnement des appareils électriques. En cas de dommages, faites réparer l'appareil électrique avant de le réutiliser.** Nombreux sont les accidents provoqués par des appareils électriques mal entretenus.
 - f) **Veillez à garder les outils coupants aiguisés et propres.** Des outils coupants correctement entretenus avec des lames aiguisées sont moins susceptibles de se bloquer et sont plus faciles à contrôler.
 - g) **Utilisez l'appareil électrique, les accessoires et les embouts, etc., conformément à ces instructions et de la manière prévue pour le type spécifique de l'appareil électrique, en prenant en compte les conditions de travail et le travail à effectuer.** L'utilisation de l'appareil électrique dans des applications différentes de celles prévues peut entraîner des situations dangereuses.
 - h) **Gardez les poignées et les surfaces de préhension sèches, propres et exemptes d'huile et de graisse.** Des poignées et des surfaces de préhension glissantes ne permettent pas de manipuler et de contrôler l'outil correctement en cas de situations inattendues.
- 5) **Utiliser et soigner les outils à batterie**
 - a) **Rechargez la batterie uniquement avec le chargeur spécifié par le fabricant.** Un chargeur adapté à une certaine batterie peut être cause de danger d'incendie quand on l'utilise avec une batterie différente.
 - b) **Utilisez chaque outil uniquement avec la batterie conçue pour lui.** L'utilisation de toute autre batterie peut être cause de danger de blessure ou d'incendie.
 - c) **Lorsque une batterie n'est pas en usage, gardez-la hors d'atteinte d'objets métalliques tels que les trombones, pièces de monnaie, clés, clous, vis et autres petits objets métalliques pouvant faire le contact entre une borne et l'autre.** Un court-circuit entre les bornes de la batterie peut être cause de brûlures ou d'incendie.
 - d) **Dans des circonstances extrêmes, du liquide peut gicler hors de la batterie ; évitez tout contact. En cas de contact accidentel, rincez à l'eau. En cas de contact du liquide avec les yeux, consultez un médecin.** Le liquide qui gicle d'une batterie peut causer irritations ou brûlures.
 - e) **N'utilisez pas un bloc-batterie ou un outil endommagé ou modifié.** Une batterie endommagée ou altérée peut avoir un comportement imprévisible qui peut conduire à un incendie, une explosion ou un risque de blessure.
 - f) **N'exposez pas le bloc-batterie ou l'outil au feu ou à des températures excessives.** L'exposition au feu ou à des températures dépassant 130 °C peut provoquer une explosion. REMARQUE La température de "130°C" peut être remplacé par la température de "265°F".
 - g) **Respectez les instructions pour la charge et ne rechargez pas le bloc-batterie ou l'outil à une plage de températures hors de celle spécifiée dans les instructions.** Une charge mal effectuée ou à des températures hors de la plage spécifiée peut endommager la batterie et augmente le risque d'incendie.
 - 6) **Maintenance**
 - a) **L'entretien de votre outil électrique doit être confié à un réparateur qualifié qui utilise uniquement des pièces de rechange identiques aux pièces d'origine.** Cela permet d'assurer la sécurité de l'outil électrique
 - b) **Ne réparez jamais des blocs-batteries endommagés.** Les réparations sur les blocs-batteries ne doivent être effectuées que par le fabricant ou l'un de ses prestataires de services agréés.

CONSIGNES DE SÉCURITÉ SUPPLÉMENTAIRES RELATIVES AUX TAILLE-HAIES

- Tenir la zone de travail propre et ordonnée.
- Veillez à toujours tenir le taille-haie correctement. Utilisez vos deux mains pour utiliser la machine.
- En cas d'utilisation de moyens de support pour se surélever par rapport au sol, s'assurer qu'ils sont stables et ne peuvent pas basculer - ne jamais trop se pencher.
- Ne pas utiliser les outils électriques sous la pluie ou dans des lieux mouillés.
- Ne pas utiliser les outils électrique en cas de risque d'explosion - par ex. à proximité de liquides ou de gaz inflammables.
- Ne pas autoriser la présence des enfants dans la zone de travail.
- Ne pas laisser les enfants ou les autres personnes toucher les outils électriques.
- Ne pas laisser l'outil électrique sans surveillance.
- Le ranger dans un lieu sec hors de portée des enfants.
- Toujours utiliser des lunettes de sécurité et des gants. Nous recommandons également l'utilisation de protection auditives.
- Porter les vêtements appropriés - pas de vêtement lâches ni de bijoux et s'assurer que les vêtements ne peuvent pas entrer en contact avec les parties mobiles.
- En cas de cheveux longs, les attacher de manière sûre pour éviter qu'ils ne s'enchevêtrent dans les parties mobiles.
- Avant d'utiliser tout outil électrique, vérifier d'abord l'absence de pièces endommagées et, dans le cas contraire, ne pas utiliser l'outil avant d'avoir remplacé la ou les pièces par des pièces neuves.
- Ne pas utiliser les outils électriques en cas de fatigue ou après avoir consommé de l'alcool.
- Ne pas forcer l'appareil - le laisser fonctionner au rythme pour lequel il a été prévu.
- Ne pas trop se pencher durant le travail - risque de perdre l'équilibre.
- Ne jamais utiliser cet appareil si le carter de lame n'est pas installé. Il doit toujours rester installé.
- Utiliser uniquement des pièces de rechange et des accessoires fournis par FERM. L'utilisation d'accessoires différents de ceux qui sont fournis ou recommandés par FERM annulera la garantie et pourrait être dangereuse.

- Utiliser cet appareil uniquement dans le but prévu - la coupe des haies et des buissons.



Faire attention avant tout !



Danger !

- a) **Gardez toutes les parties de votre corps loin de la lame. Ne retirez pas les chutes et ne tenez pas l'ouvrage à la main quand les lames sont en mouvement.** *Les lames continuent à bouger après l'extinction de l'outil. Tout moment d'inattention pendant l'utilisation du taille-haie peut entraîner de graves blessures.*
- b) **Portez le taille-haie par la poignée, lame arrêtée et en prenant soin de ne pas actionner l'interrupteur.** *Porter le taille-haie correctement permet de réduire le risque de démarrage intempestif et les blessures dues aux lames.*
- c) **Installez toujours le fourreau sur la lame avant de transporter ou de ranger le taille-haie.** *Manipuler le taille-haie correctement permet de réduire le risque de blessures dues aux lames.*
- d) **Avant de retirer les matériaux restés coincés ou de réviser l'appareil, veillez à ce que tous les interrupteurs soient à l'arrêt et que le câble d'alimentation soit débranché.** *L'allumage intempestif du taille-haie pendant le retrait de matériaux coincés ou son entretien peut entraîner de graves blessures.*
- e) **Ne tenez le taille-haie que par ses surfaces de préhension isolées car il est possible que la lame entre en contact avec des fils cachés ou son propre cordon.** *Tout contact des lames avec un fil sous tension peut mettre les parties métalliques exposées du taille-haie sous tension et provoquer une décharge électrique à l'utilisateur.*
- f) **Gardez le cordon d'alimentation et les autres câbles loin de la zone de coupe.** *Il se peut que des cordons ou des fils soient cachés dans les haies ou les buissons et ils peuvent être accidentellement sectionnés par la lame.*
- g) **N'utilisez pas le taille-haie en cas d'intempéries et particulièrement en cas d'orage.** *Cela permet de réduire le risque*

d'être frappé par la foudre.

- h) **Inspecter et entretenir régulièrement le taille-haie.** Faire réparer le taille-haie par un réparateur agréé uniquement.
- i) **Tenir les mains et les pieds éloignées en permanence de la zone de coupe.**
- j) **Toujours tenir le taille-haie à une distance de sécurité du corps.**
- k) **Toujours porter des lunettes de protection.**
- l) **Toujours porter des gants.**
- m) **Utiliser le taille-haie uniquement à la lumière du jour.**
- n) **S'assurer que les ouvertures d'aération sont exemptes en permanence de débris.**
- o) **S'assurer qu'aucune personne et aucun animal ne se trouve à moins de 5 mètres de la zone de coupe.**

AVERTISSEMENTS DE SÉCURITÉ SUPPLÉMENTAIRES PROPRES AUX TAILLE-HAIES SANS-FIL


- Ne rechargez pas le taille-haie sous la pluie ou dans des endroits humides.
- N'utilisez pas le taille-haie sur batterie sous la pluie.
- Retirez ou débranchez le bloc-batterie avant de toute opération de révision, de nettoyage ou avant de retirer les d'éventuels résidus sur le taille-haie.
- Ne jetez pas la/les batterie(s) au feu. La cellule pourrait exploser. Consultez les prescriptions de mise au rebut spécifiques de votre réglementation locale.

2. INFORMATIONS RELATIVES A LA MACHINE

Utilisation prévue

Ce taille-haie n'a été conçu que pour couper les branches des buissons, arbustes, plantes ornementales et haies.

SPECIFICATIONS TECHNIQUES

N° de modèle	HTM1005
Tension nominale	20V 
Vitesse à vide	1.200/min.
Longueur de coupe	450mm
Largeur de coupe	14mm
Poids	1.98 kg
LPA (pression sonore)	81.3 db (A), KpA=3 dB (A)
LWA (puissance sonore)	92.9 db (A), KwA=3 dB (A)

Valeurs de vibrations:

Poignée avant Ah	2.459 m/s ² , K=1.5 m/s ²
Poignée arrière Ah	1.754 m/s ² , K=1.5 m/s ²

N'utilisez que les batteries suivantes de la plateforme Batterie FX-POWER 20V. L'utilisation de toute autre batterie pourrait provoquer de graves blessures ou endommager l'outil.

CDA1167	20V, 2Ah Lithium-Ion
CDA1168	20V, 4Ah Lithium-Ion

Le chargeur suivant peut être utilisé pour recharger ces batteries.

CDA1169	Adaptateur chargeur
CDA1170	Chargeur rapide

Les batteries de la plateforme Batterie FX-POWER 20V sont interchangeables pour tous les outils de la plateforme Batterie FERM FX-POWER 20V.

Niveau de vibrations

Le niveau des vibrations émises, indiqué dans ce manuel, a été mesuré conformément à la procédure décrite par la norme EN 62841. Il peut être utilisé pour comparer deux outils ou pour réaliser une estimation préalable de l'exposition aux vibrations lors de l'utilisation de l'outil pour les applications mentionnées.

- L'utilisation de l'outil dans d'autres applications ou avec des accessoires différents ou mal entretenus peut considérablement augmenter le niveau d'exposition.
- La mise hors tension de l'outil et sa non-utilisation pendant qu'il est allumé peuvent considérablement réduire le niveau d'exposition. Protégez-vous contre les effets des vibrations par un entretien correct de l'outil et de ses accessoires, en vous échauffant les mains et en organisant vos rythmes de travail.

DESCRIPTION

Les numéros dans le texte se rapportent aux schémas de la page 2-3.

1. Interrupteur marche/arrêt
2. Batterie (non inclus)
3. Bouton de déverrouillage de la batterie
4. Lame

5. Carter de protection
6. Poignée avant
7. Interrupteur de sécurité
8. Fourreau pour le transport

3. MONTAGE



Avant tous travaux sur l'outil électroportatif, sortez l'accu.



Vous devez charger la batterie avant la première utilisation.

Installer la poignée avant (Fig. B)

1. Installez la poignée avant (6) sur la machine, comme illustré par la figure B.
2. Fixez la poignée avant (6) en serrant la vis.

Installer le carter de protection (Fig. C)



Ne pas utiliser le taille-haie sans le carter de Protection

1. Installez le carter de protection (5) sur la machine, comme illustré par la figure C.
2. Fixez le carter de protection (5) en serrant la vis.

Insertion de la batterie dans la machine (Fig. A, D)



Vérifiez que la surface extérieure de la batterie est propre et sèche avant de brancher le chargeur ou la machine.

1. Insérez la batterie (2) dans la base de la machine, comme illustré à la Fig. D.
2. Poussez la batterie vers l'avant jusqu'à ce qu'elle s'enclenche.

Retrait de la batterie de la machine (Fig. A, D)

1. Poussez les bouton de déverrouillage de la batterie (3)
2. Retirez la batterie de la machine, comme illustré à la Fig. D.

4. UTILISATION



Avant l'utilisation, toujours effectuer une inspection visuelle pour vérifier que les lames, les boulons de lame et l'assemblage de coupe ne sont pas usés ni endommagés.



Ne pas utiliser le taille-haie sans le carter de Protection.



Utilisez toujours vos deux mains pour tenir le taille-haie et tenez-le loin de votre corps.

Utilisation du taille-haie

- Pour des raisons de sécurité et pour obtenir le meilleur résultat, lire les conseils d'utilisation suivants et ne pas utiliser ce produit dans tout autre but que celui qui a été prévu.
- Ce taille-haie est conçu pour couper les haies et les buissons. Toute autre utilisation non spécifiquement autorisée dans ce manuel peut conduire à des dégâts pour le taille-haie ou des blessures pour l'utilisateur.

Mise en marche et extinction (Fig. A)

- Pour mettre en marche le taille-haie, appuyer simultanément sur l'interrupteur de sécurité (7) et l'interrupteur de démarrage (1).
- Pour arrêter, relâcher l'un des deux interrupteurs.

Meilleure méthode pour tailler une haie

- En plus des haies, le taille-haie peut aussi être utilisé pour couper les buissons.
- Le meilleur résultat de coupe est obtenu en tenant la lame à un angle d'environ 15°.
- Les couteaux rotatifs opposés coupent des deux côtés et il est donc possible de tailler la haie dans les deux sens.
- Le côté de la haie est coupé en effectuant des mouvements courbes de bas en haut.
- Idéalement, la haie doit être plus large sur la partie inférieure que sur la partie supérieure. Cela permettra une meilleure pénétration de la lumière pour une haie plus saine. Si possible, couper les deux côtés de la haie.
- Lors de la coupe des côtés de la haie, tailler de bas en haut. Cela assurera l'absence de morceaux de haie qui masquent ou interfèrent

avec vos mouvements de coupe. La lame ne doit pas être forcée à couper trop en profondeur. Tailler légèrement la surface de la haie.

- Lors de la coupe du sommet de la haie, toujours tailler en s'éloignant du corps mais sans trop se pencher. Il est beaucoup plus sage et sûr de se déplacer et de couper la haie à portée tout en restant sur ces deux pieds à la fois.

Sécurité pendant le transport

Le taille-haie est équipé d'un fourreau de protection (8) qui permet de transporter la machine en toute sécurité.

5. ENTRETIEN



Avant le nettoyage et l'entretien, mettez toujours la machine hors tension et retirez la batterie de la machine.

Nettoyez le corps de la machine régulièrement au moyen d'un chiffon doux, de préférence après chaque utilisation. Vérifiez que les ouvertures d'aération ne sont pas obstruées ni sales. Utilisez un chiffon doux légèrement humidifié avec de la mousse de savon pour nettoyer les taches persistantes. N'utilisez pas de produits de nettoyage tels que l'essence, l'alcool, l'ammoniac, etc.; ces produits peuvent endommager les parties synthétiques.

Lame

- Portez toujours des gants pour manipuler ou nettoyer la lame.
- Nettoyez la lame et pulvérisez-la d'un lubrifiant de protection après chaque utilisation. Nous recommandons de lubrifier la lame avec une huile protectrice à intervalles réguliers au cours des longues durées d'utilisation.
- Inspectez visuellement l'état de la lame. Contrôlez que les vis sont parfaitement serrées sur le guide-lame.
- Assurez-vous que le carter est bien installé sur la machine.

Stockage

Le taille-haie doit être rangé dans un endroit sûr et sec, hors de la portée des enfants. Ne posez aucun objet dessus.

ENVIRONNEMENT



Les équipements électroniques ou électriques défectueux ou destinés à être mis au rebut doivent être déposés aux points de recyclage appropriés.

Uniquement pour les pays de l'UE

Ne jetez pas les outils électriques avec les déchets domestiques. Selon la Directive européenne 2012/19/CE relative aux déchets d'équipements électriques et électroniques et sa mise en œuvre dans le droit national, les outils électriques hors d'usage doivent être collectés séparément et mis au rebut de manière écologique.

GARANTIE

Les produits FERM sont développés aux plus hauts standards de qualité et ils sont garantis contre les défauts de pièces et de main d'œuvre pendant la durée légale stipulée à partir de la date d'achat d'origine du produit. En cas d'une quelconque panne du produit pendant cette durée qui serait due à un défaut matériel et/ou de main d'œuvre, contactez directement FERM.

Les circonstances suivantes ne sont pas prises en charge par la garantie:

- Des réparations ou altérations ont été effectuées ou tentées sur la machine par un centre de réparation non agréé.
- L'usure normale.
- L'outil a été maltraité, mal utilisé ou mal entretenu.
- Des pièces détachées non d'origine ont été utilisées.

Ceci constitue l'unique garantie accordée par la société explicitement ou implicitement. Il n'existe aucune autre garantie, explicite ou implicite, qui peut s'étendre au delà du contenu ici présent, y compris les garanties marchandes ou d'adaptation à des fins particulières. En aucun cas FERM ne sera tenu responsable de dommages accidentels ou consécutifs. Les solutions proposées par les revendeurs devront se limiter à la réparation ou le remplacement des éléments ou pièces non conformes.

Le produit et le manuel d'utilisation sont sujets à modifications. Les spécifications peuvent changer sans préavis.

HECKENSCHERE HTM1005

Vielen Dank für den Kauf dieses Ferm Produkts. Hiermit haben Sie ein ausgezeichnetes Produkt erworben, dass von einem der führenden Lieferanten Europas geliefert wird. Alle von Ferm an Sie gelieferten Produkte sind nach den höchsten Standards von Leistung und Sicherheit gefertigt. Teil unserer Firmenphilosophie ist es auch, Ihnen einen ausgezeichneten Kundendienst anbieten zu können, der von unserer umfassenden Garantie unterstützt wird. Wir hoffen, dass Sie viele Jahre Freude an diesem Produkt haben.

1. SICHERHEITSANWEISUNGEN



Lesen Sie die beiliegenden Sicherheitsanweisungen, die zusätzlichen Sicherheitsanweisungen sowie diese Bedienungsanleitung sorgfältig durch. Bei Nichtbeachten der Sicherheitsanweisungen und der Bedienungsanleitung kann es zu einem Stromschlag, einem Brand und/oder schweren Verletzungen kommen. **Bewahren Sie die Sicherheitsanweisungen und die Bedienungsanleitung zur künftigen Bezugnahme sicher auf.**

Folgende Symbole werden im Benutzerhandbuch oder auf dem Produkt verwendet:



Lesen Sie das Benutzerhandbuch.



Lebens- und Verletzungsgefahr und Gefahr von Beschädigungen am Werkzeug/Gerät bei Nichteinhaltung der Anweisungen in dieser Bedienungsanleitung.



Gefahr von herumfliegenden Gegenständen. Halten Sie Unbeteiligte vom Arbeitsbereich fern.



Nicht dem Regen aussetzen.



GEFAHR! Halten Sie die Hände vom das Sägeblatt entfernt.



Tragen Sie eine Schutzbrille.
Tragen Sie einen Gehörschutz.



Tragen Sie Schutzhandschuhe.



Vor dem Beginn von Reinigungs- und
Wartungsarbeiten immer erst die Maschine
ausschalten und den Akku entfernen.



Entsorgen Sie das Produkt nicht in
hierfür nicht vorgesehenen
Abfallbehältern.



Das Produkt entspricht den geltenden
Sicherheitsnormen der europäischen
Richtlinien.

ALLGEMEINE SICHERHEITSHINWEISE



WARNUNG

Lesen Sie alle Sicherheitshinweise, Anweisungen, Gebildungen und technischen Daten, mit denen dieses Elektrowerkzeug versehen ist. Versäumnisse bei der Einhaltung der nachfolgenden Anweisungen können elektrischen Schlag, Brand und/oder schwere Verletzungen verursachen.

Bewahren Sie alle Sicherheitshinweise und Anweisungen für die Zukunft auf.

Der in den Sicherheitshinweisen verwendete Begriff „Elektrowerkzeug“ bezieht sich auf netzbetriebene Elektrowerkzeuge (mit Netzleitung) oder auf akkubetriebene Elektrowerkzeuge (ohne Netzleitung).

1) Arbeitsplatzsicherheit

- a) **Halten Sie Ihren Arbeitsbereich sauber und gut beleuchtet.** Unordnung oder unbeleuchtete Arbeitsbereiche können zu Unfällen führen.
- b) **Arbeiten Sie mit dem Elektrowerkzeug nicht in explosionsgefährdeter Umgebung, in der sich brennbare Flüssigkeiten, Gase oder Stäube befinden.** Elektrowerkzeuge erzeugen Funken, die den Staub oder die Dämpfe

entzünden können.

- c) **Halten Sie Kinder und andere Personen während der Benutzung des Elektrowerkzeugs fern.** Bei Ablenkung können Sie die Kontrolle über das Elektrowerkzeug verlieren.

2) Elektrische Sicherheit

- a) **Der Anschlussstecker des Elektrowerkzeugs muss in die Steckdose passen. Der Stecker darf in keiner Weise verändert werden. Verwenden Sie keine Adapterstecker gemeinsam mit schutzgeerdeten Elektrowerkzeugen.** Unveränderte Stecker und passende Steckdosen verringern das Risiko eines elektrischen Schlages.
- b) **Vermeiden Sie Körperkontakt mit geerdeten Oberflächen wie von Rohren, Heizungen, Herden und Kühlschränken.** Es besteht ein erhöhtes Risiko durch elektrischen Schlag, wenn Ihr Körper geerdet ist.
- c) **Halten Sie Elektrowerkzeuge von Regen oder Nässe fern.** Das Eindringen von Wasser in ein Elektrowerkzeug erhöht das Risiko eines elektrischen Schlages.
- d) **Zweckentfremden Sie die Anschlussleitung nicht, um das Elektrowerkzeug zu tragen, aufzuhängen oder um den Stecker aus der Steckdose zu ziehen. Halten Sie die Anschlussleitung fern von Hitze, Öl, scharfen Kanten oder sich bewegenden Teilen.** Beschädigte oder verwickelte Anschlussleitungen erhöhen das Risiko eines elektrischen Schlages.
- e) **Wenn Sie mit einem Elektrowerkzeug im Freien arbeiten, verwenden Sie nur Verlängerungsleitungen, die auch für den Außenbereich geeignet sind.** Die Anwendung einer für den Außenbereich geeigneten Verlängerungsleitung verringert das Risiko eines elektrischen Schlages.
- f) **Wenn der Betrieb des Elektrowerkzeugs in feuchter Umgebung nicht vermeidbar ist, verwenden Sie einen Fehlerstromschutzschalter.** Der Einsatz eines Fehlerstromschutzschalters vermindert das Risiko eines elektrischen Schlages.

3) Sicherheit von Personen

- a) **Seien Sie aufmerksam, achten Sie darauf, was Sie tun, und gehen Sie mit Vernunft an die Arbeit mit einem Elektrowerkzeug.**

Benutzen Sie kein Elektrowerkzeug, wenn Sie müde sind oder unter dem Einfluss von Drogen, Alkohol oder Medikamenten stehen. *Ein Moment der Unachtsamkeit beim Gebrauch des Elektrowerkzeugs kann zu ernsthaften Verletzungen führen.*

- b) **Tragen Sie persönliche Schutzausrüstung und immer eine Schutzbrille.** *Das Tragen persönlicher Schutzausrüstung, wie Staubmaske, rutschfeste Sicherheitsschuhe, Schutzhelm oder Gehörschutz, je nach Art und Einsatz des Elektrowerkzeugs, verringert das Risiko von Verletzungen.*
- c) **Vermeiden Sie eine unbeabsichtigte Inbetriebnahme.** *Vergewissern Sie sich, dass das Elektrowerkzeug ausgeschaltet ist, bevor Sie es an die Stromversorgung und/oder den Akku anschließen, es aufnehmen oder tragen.* *Wenn Sie beim Tragen des Elektrowerkzeugs den Finger am Schalter haben oder das Elektrowerkzeug eingeschaltet an die Stromversorgung anschließen, kann dies zu Unfällen führen.*
- d) **Entfernen Sie Einstellwerkzeuge oder Schraubenschlüssel, bevor Sie das Elektrowerkzeug einschalten.** *Ein Werkzeug oder Schlüssel, der sich in einem drehenden Teil des Elektrowerkzeugs befindet, kann zu Verletzungen führen.*
- e) **Vermeiden Sie eine abnormale Körperhaltung.** *Sorgen Sie für einen sicheren Stand und halten Sie jederzeit das Gleichgewicht.* *Dadurch können Sie das Elektrowerkzeug in unerwarteten Situationen besser kontrollieren.*
- f) **Tragen Sie geeignete Kleidung.** *Tragen Sie keine weite Kleidung oder Schmuck.* **Halten Sie Haare und Kleidung fern von sich bewegenden Teilen.** *Lockere Kleidung, Schmuck oder lange Haare können von sich bewegenden Teilen erfasst werden.*
- g) **Wenn Staubabsaug- und -auffangeinrichtungen montiert werden können, sind diese anzuschließen und richtig zu verwenden.** *Verwendung einer Staubabsaugung kann Gefährdungen durch Staub verringern.*
- h) **Wiegen Sie sich nicht in falscher Sicherheit und setzen Sie sich nicht über die Sicherheitsregeln für Elektrowerkzeuge hinweg, auch wenn Sie nach vielfachem Gebrauch mit dem Elektrowerkzeug vertraut sind.**

Achtloses Handeln kann binnen Sekundenbruchteilen zu schweren Verletzungen führen.

- 4) **Verwendung und Behandlung des Elektrowerkzeugs**
 - a) **Überlasten Sie das Elektrowerkzeug nicht.** *Verwenden Sie für Ihre Arbeit das dafür bestimmte Elektrowerkzeug.* *Mit dem passenden Elektrowerkzeug arbeiten Sie besser und sicherer im angegebenen Leistungsbereich.*
 - b) **Benutzen Sie kein Elektrowerkzeug, dessen Schalter defekt ist.** *Ein Elektrowerkzeug, das sich nicht mehr ein- oder ausschalten lässt, ist gefährlich und muss repariert werden.*
 - c) **Ziehen Sie den Stecker aus der Steckdose und/oder entfernen Sie einen abnehmbaren Akku, bevor Sie Geräteeinstellungen vornehmen, Einsatzwerkzeugteile wechseln oder das Elektrowerkzeug weglegen.** *Diese Vorsichtsmaßnahme verhindert den unbeabsichtigten Start des Elektrowerkzeugs.*
 - d) **Bewahren Sie unbenutzte Elektrowerkzeuge außerhalb der Reichweite von Kindern auf.** *Lassen Sie keine Personen das Elektrowerkzeug benutzen, die mit diesem nicht vertraut sind oder diese Anweisungen nicht gelesen haben.* *Elektrowerkzeuge sind gefährlich, wenn sie von unerfahrenen Personen benutzt werden.*
 - e) **Pflegen Sie Elektrowerkzeuge und Einsatzwerkzeuge mit Sorgfalt.** *Kontrollieren Sie, ob bewegliche Teile einwandfrei funktionieren und nicht klemmen, ob Teile gebrochen oder so beschädigt sind, dass die Funktion des Elektrowerkzeugs beeinträchtigt ist.* **Lassen Sie beschädigte Teile vor dem Einsatz des Elektrowerkzeugs reparieren.** *Viele Unfälle haben ihre Ursache in schlecht gewarteten Elektrowerkzeugen.*
 - f) **Halten Sie Schneidwerkzeuge scharf und sauber.** *Sorgfältig gepflegte Schneidwerkzeuge mit scharfen Schneidkanten verklemmen sich weniger und sind leichter zu führen.*
 - g) **Verwenden Sie Elektrowerkzeug, Zubehör, Einsatzwerkzeuge usw. entsprechend diesen Anweisungen.** *Berücksichtigen Sie dabei die Arbeitsbedingungen und die auszuführende Tätigkeit.* *Der Gebrauch von Elektrowerkzeugen für andere als die*

vorgesehenen Anwendungen kann zu gefährlichen Situationen führen.

- h) **Halten Sie Griffe und Griffflächen trocken, sauber und frei von Öl und Fett.** *Rutschige Griffe und Griffflächen erlauben keine sichere Bedienung und Kontrolle des Elektrowerkzeugs in unvorhergesehenen Situationen.*
- 5) **Verwendung und Behandlung des Akkuwerkzeugs**
- a) **Laden Sie die Akkus nur mit Ladegeräten auf, die vom Hersteller empfohlen werden.** *Durch ein Ladegerät, das für eine bestimmte Art von Akkus geeignet ist, besteht Brandgefahr, wenn es mit anderen Akkus verwendet wird.*
- b) **Verwenden Sie nur die dafür vorgesehenen Akkus in den Elektrowerkzeugen.** *Der Gebrauch von anderen Akkus kann zu Verletzungen und Brandgefahr führen.*
- c) **Halten Sie den nicht benutzten Akku fern von Büroklammern, Münzen, Schlüsseln, Nägeln, Schrauben oder anderen kleinen Metallgegenständen, die eine Überbrückung der Kontakte verursachen könnten.** *Ein Kurzschluss zwischen den Akkukontakten kann Verbrennungen oder Feuer zur Folge haben.*
- d) **Bei falscher Anwendung kann Flüssigkeit aus dem Akku austreten. Vermeiden Sie den Kontakt damit. Bei zufälligem Kontakt mit Wasser abspülen. Wenn die Flüssigkeit in die Augen kommt, nehmen Sie zusätzlich ärztliche Hilfe in Anspruch.** *Austretende Akkuflüssigkeit kann zu Hautreizungen oder Verbrennungen führen.*
- e) **Benutzen Sie keinen beschädigten oder veränderten Akku.** *Beschädigte oder veränderte Akkus können sich unvorhersehbar verhalten und zu Feuer, Explosion oder Verletzungsgefahr führen.*
- f) **Setzen Sie einen Akku keinem Feuer oder zu hohen Temperaturen aus.** *Feuer oder Temperaturen über 130 °C können eine Explosion hervorrufen.*
- g) **Befolgen Sie alle Anweisungen zum Laden und laden Sie den Akku oder das Akkuwerkzeug niemals außerhalb des in der Betriebsanleitung angegebenen Temperaturbereichs.** *Falsches Laden oder Laden außerhalb des zugelassenen Temperaturbereichs kann den Akku zerstören und die Brandgefahr erhöhen.*

6) Service

- a) **Lassen Sie Ihr Elektrowerkzeug nur von qualifiziertem Fachpersonal und nur mit Original-Ersatzteilen reparieren.** *Damit wird sichergestellt, dass die Sicherheit des Elektrowerkzeugs erhalten bleibt.*
- b) **Warten Sie niemals beschädigte Akkus.** *Sämtliche Wartung von Akkus sollte nur durch den Hersteller oder bevollmächtigte Kundendienststellen erfolgen.*

ZUSÄTZLICHE SICHERHEITSAUFWEISUNG FÜR HECKENSCHEREN

- Den Bereich, in dem Sie arbeiten sauber und ordentlich halten.
- Halten Sie die Heckenschere immer ordnungsgemäß fest. Bei der Bedienung sind beide Hände zu benutzen.
- Bei der Verwendung von Hilfsmitteln zum Abheben vom Boden muss sichergestellt werden, dass diese stabil sind und nicht umkippen können - Übernehmen Sie sich zu keinem Zeitpunkt.
- Elektrowerkzeuge nicht im Regen oder in nassen Umgebungen verwenden. Elektrowerkzeuge nicht dort verwenden, wo Brand- oder Explosionsgefahr besteht - d. h. in der Nähe von brennbaren Flüssigkeiten oder Gasen.
- Kinder nicht in den Bereich lassen, in dem Sie arbeiten.
- Lassen Sie Kinder oder sonstige Personen nicht mit Elektrowerkzeugen in Kontakt kommen.
- Das Elektrowerkzeug nicht unbeaufsichtigt lassen.
- An einem trockenen Ort außerhalb der Reichweite von Kindern aufbewahren.
- Immer Sicherheitsbrille und Handschuhe tragen. Wir empfehlen auch das Tragen eines Gehörschutzes.
- Die richtige Kleidung tragen - keine weite Kleidung tragen und sicherstellen, dass Kleidungsstücke nicht in Kontakt mit beweglichen Teilen kommen können.
- Langes Haar sicher zusammenbinden, um zu vermeiden, dass es sich in beweglichen Teilen verfängt.
- Vor dem Gebrauch eines Elektrowerkzeugs zuerst eine Prüfung auf beschädigte Teile durchführen und im Falle von beschädigten Teilen nicht verwenden, bis das Teil oder die

Teile gegen neue Teile ausgetauscht worden sind.

- Elektrowerkzeuge nicht verwenden, wenn Sie müde sind oder unter Alkoholeinfluss stehen.
- Keine Kraft auf das Gerät ausüben - lassen Sie es in der Geschwindigkeit arbeiten, für die es vorgesehen ist.
- Überschätzen Sie sich nicht beim Arbeiten - Sie können Ihr Gleichgewicht verlieren.
- Dieses Gerät nie ohne befestigten Klingenschutz verwenden. Dieser muss immer angebracht sein.
- Verwenden Sie nur von FERM gelieferte Ersatzteile und von Ferm geliefertes Zubehör. Die Verwendung von Zubehör, das nicht dem von FERM gelieferten oder empfohlenen Zubehör entspricht, führt zur Ungültigkeit Ihrer Garantie und könnte gefährlich sein.
- Dieses Gerät nur für seine Zweckbestimmung verwenden - zum Schneiden von Hecken und Büschen.



Vor allem vorsichtig sein!!



Gefahr!

- a) **Sämtliche Körperteile von der Klinge fernhalten. Kein geschnittenes Material entfernen und das zu schneidende Material nicht festhalten, wenn sich die Klinsen bewegen.** *Die Klinsen bewegen sich nach dem Abschalten des Geräts noch kurze Zeit weiter. Ein Moment der Unachtsamkeit während des Betriebs der Heckenschere kann zu schwerwiegenden Verletzungen führen.*
- b) **Transportieren Sie die Heckenschere nur bei ausgeschalteter Klinge und berühren Sie beim Transportieren keinen der Schalter.** *Das richtige Transportieren verringert das Risiko eines unbeabsichtigten Einschaltens und daraus folgender Verletzungen durch die Klinsen.*
- c) **Bei Transport oder Lagerung der Heckenschere immer die Klingenschutzabdeckung anbringen.** *Der richtige Umgang mit der Heckenschere verringert das Risiko von Verletzungen durch die Klinsen.*
- d) **Schalten Sie das Gerät vollständig aus**

und ziehen Sie das Stromkabel aus der Steckdose, bevor Sie feststeckendes Material beseitigen oder das Gerät warten. *Eine unerwartete Betätigung der Heckenschere während der Beseitigung von feststeckendem Material oder der Wartung kann zu schweren Verletzungen führen.*

- e) **Halten Sie die Heckenschere an den isolierten Griffflächen, da die Klinge versteckte Leitungen oder ihr eigenes Kabel berühren könnte.** *Der Kontakt der Klinge mit einer spannungsführenden Leitung kann metallene Teile der Heckenschere unter Spannung setzen und zu einem elektrischen Schlag führen.*
- f) **Halten Sie alle Stromkabel und andere Kabel aus dem Schneidbereich fern.** *Stromkabel und andere Kabel können in Hecken oder Gebüsch versteckt sein und unbeabsichtigt von der Klinge durchtrennt werden.*
- g) **Verwenden Sie die Heckenschere nicht bei schlechten Wetterbedingungen, insbesondere wenn Gewittergefahr besteht.** *Dadurch verringert sich die Gefahr eines Blitzschlags.*
- h) **Den Trimmer regelmäßig prüfen und warten.** *Den Trimmer nur von einer Vertragswerkstatt reparieren lassen.*
- i) **Hände und Füße zu jeder Zeit vom Schneidbereich fernhalten.**
- j) **Den Trimmer in sicherem Abstand vom Körper halten.**
- k) **Immer eine Schutzbrille tragen.**
- l) **Immer Handschuhe tragen.**
- m) **Den Trimmer nur bei Tageslicht verwenden.**
- n) **Sicherstellen, dass die Lüfteröffnungen zu jeder Zeit schmutzfrei sind.**
- o) **Sicherstellen, dass sich in einem Bereich von fünf Metern zum Schneidbereich keine Personen oder Tiere befinden.**

ZUSÄTZLICHE SICHERHEITSHINWEISE FÜR AKKU-HECKENSCHNEIDER

- Laden Sie die Heckenschere nicht bei Regen oder an nassen Orten auf.
- Verwenden Sie die Akku-Heckenschere nicht bei Regen.
- Entfernen oder trennen Sie den Akku, bevor Sie die Heckenschere warten, reinigen oder


- geschnittenes Material von ihr entfernen.
- Entsorgen Sie Akkus nicht im Feuer. Die Akkuzelle könnte explodieren. Informieren Sie sich über lokale Vorschriften und eventuelle spezielle Entsorgungshinweise.

2. ANGABEN ZUM WERKZEUG

Verwendungszweck

Diese Heckenschere ist nur zum Schneiden von Ästen von Büschen, Sträuchern, Zierpflanzen und Hecken bestimmt.

TECHNISCHE DATEN

Modellnummer	HTM1005
Nennspannung	20V 
Leerlaufdrehzahl	1.200/min.
Schnittlänge	450mm
Schnittbreite	14mm
Gewicht	1,98 kg
LPA (Schalldruck)	81,3 db (A), KpA=3 dB (A)
LWA (Schalleistung)	92,9 db (A), KwA=3 dB (A)

Vibrationswert:

Vorderer Griff, Ah	2,459 m/s ² , K=1,5 m/s ²
Hinterer Griff, Ah	1,754 m/s ² , K=1,5 m/s ²

Verwenden Sie nur folgende Akkus der FX-POWER 20V-Akku-Plattform. Die Verwendung anderer Akkus kann zu schweren Verletzungen oder einer Beschädigung des Werkzeugs führen.

CDA1167	20V, 2Ah Lithium-Ion
CDA1168	20V, 4Ah Lithium-Ion

Folgendes Ladegerät ist zum Aufladen dieser Akkus vorgesehen.

CDA1169	Ladegerätadapter
CDA1170	Schnellladegerät

Die Akkus der FX-POWER 20V-Akku-Plattform sind unter allen Werkzeugen der FERM FX-POWER 20V-Akku-Plattform austauschbar.

Vibrationsintensität

Die in dieser Bedienungsanleitung angegebene Vibrationsintensität wurde mit einem standardisierten Test gemäß EN 62841 gemessen. Anhand dieser Größe können Werkzeuge miteinander verglichen werden. Außerdem eignet sich diese Größe für eine

erste Beurteilung der Vibrationsbelastung bei Verwendung des Werkzeugs für die angegebenen Anwendungszwecke.

- Bei Verwendung des Werkzeugs für andere Anwendungen oder mit anderem oder unzureichend gewartetem Zubehör kann sich die Vibrationsbelastung erheblich erhöhen.
- Wenn das Werkzeug ausgeschaltet ist, oder wenn es eingeschaltet ist, jedoch nicht genutzt wird, kann sich die Vibrationsbelastung erheblich verringern.

Schützen Sie sich vor den Auswirkungen der Vibration durch Wartung des Werkzeugs und des Zubehörs, halten Sie Ihre Hände warm, und organisieren Sie Ihren Arbeitsablauf.

BESCHREIBUNG

Die Buchstaben und Ziffern im folgenden Text verweisen auf die Abbildungen auf den Seiten 2-3.

- EIN/AUS-Schalter
- Akku (nicht inbegriffen)
- Akku-Freigabetaste
- Schneidklinge
- Schutzvorrichtung
- Vorderer Griff
- Sicherheitsschalter
- Transportschutz

3. MONTAGE



Nehmen Sie vor allen Arbeiten am Elektrowerkzeug den Akku heraus.



Vor der ersten Verwendung muss der Akku aufgeladen werden.

Anbringen des vorderen Griffs (Abb. B)

- Bringen Sie den vorderen Griff (6) wie in Abbildung B dargestellt am Gerät an.
- Montieren Sie den vorderen Griff (6), indem Sie die Schraube festziehen.

Montage der Schutzvorrichtung (Abb. C)



Die Heckenschere darf nicht ohne Schutzkorb verwendet werden.

- Bringen Sie die Schutzvorrichtung (5) wie in

- Abbildung C dargestellt am Gerät an.
- Montieren Sie die Schutzvorrichtung (5), indem Sie die Schraube festziehen.

Einsetzen des Akkus in das Werkzeug (Fig. A, D)



Überprüfen Sie, ob die Außenflächen des Akkus sauber und trocken sind, bevor Sie den Akku an das Ladegerät anschließen oder in das Werkzeug einsetzen.

- Setzen Sie den Akku (2) in das Gerät ein Fig. D.
- Drücken Sie den Akku soweit nach vorn, bis der Akku hörbar einrastet.

Entnehmen des Akkus aus dem Werkzeug (Fig. A, D)

- Drücken Sie die Akku-Freigabetast (3)
- Ziehen Sie den Akku aus dem Werkzeug, wie in Abb. D dargestellt.

4. BEDIENUNG



Vor Gebrauch immer eine Sichtprüfung zu machen, um festzustellen, dass die Klängen, Messerschrauben und Schneidmesser nicht verschlissen oder beschädigt sind.



Die Heckenschere darf nicht ohne Schutzkorb verwendet werden.



Die Heckenschere mit beiden Händen und Abstand zum eigenen Körper halten.

Verwendung der Heckenschere

- Für Ihre eigene Sicherheit und für beste Ergebnisse die folgenden Benutzerhinweise lesen und dieses Produkt nur für seinen Bestimmungszweck verwenden.
- Diese Heckenschere ist zum Schneiden von Hecken und Büschen vorgesehen. Jeder andere Gebrauch, der nicht speziell in diesem Handbuch erlaubt ist, kann zu Beschädigung der Heckenschere führen oder den Bediener verletzen.

Ein-/Ausschalten (Fig. A)

- Zum Einschalten der Schere den Sicherheitsschalter (7) und den Startschalter (1) gleichzeitig drücken.
- Zum Ausschalten einen der beiden Schalter loslassen.

Schneiden einer Hecke - beste Methode

- Neben Hecken kann die Heckenschere auch zum Schneiden von Büschen verwendet werden.
- Die beste Schneidwirkung wird erreicht, wenn die Klinge in einem von 15° zum gehalten wird.
- Die gegenüberliegenden rotierenden Messer schneiden auf beiden Seiten, und deshalb ist es möglich, die Hecke in beide Richtungen zu schneiden.
- Die Seite der Hecke wird mit kurvenförmigen Bewegungen von unten nach oben geschnitten.
- Idealerweise sollte eine Hecke unten breiter sein als oben. Dies ermöglicht eine leichtere Durchdringung, wodurch die Hecke gesund gehalten wird. Falls möglich, beide Seiten der Hecke schneiden.
- Beim Schneiden der Seiten der Hecke, von unten nach oben schneiden. So wird sichergestellt, dass keine Heckenschnitte Ihren Schnitttakt verdecken oder behindern. Die Klinge sollte nicht zu übermäßig tiefen Schnitten gezwungen werden. Leicht über die Oberfläche der Hecke schneiden.
- Beim Schneiden der Heckenspitze, vom Körper wegschneiden und nicht hinübergreifen. Es ist viel schlauer und sicherer, sich fortzubewegen, in Reichweite zu schneiden und zu jeder Zeit auf beiden Füßen zu stehen.

Sicherer Transport

Die Heckenschere verfügt über einen Transportschutz. Diese Abdeckung (8) ermöglicht den sicheren Transport des Geräts.

5. WARTUNG



Schalten Sie das Werkzeug immer aus, und entnehmen Sie den Akku aus dem Gerät, bevor Sie Reinigungs- oder Wartungsarbeiten am Werkzeug vornehmen.

Reinigen Sie das Werkzeuggehäuse regelmäßig mit einem weichen Lappen, vorzugsweise nach jeder Verwendung. Stellen Sie sicher, dass die Lüftungsöffnungen frei von Staub und Schmutz sind.

Entfernen Sie anhaftenden Schmutz mit einem weichen Lappen, der leicht mit Seifenwasser befeuchtet wurde. Verwenden Sie keine Lösungsmittel wie Benzin, Alkohol, Ammoniak usw., da Chemikalien dieser Art die Kunststoffteile beschädigen.

Schneidklinge

- Beim Umgang oder bei der Reinigung der Schneidklinge immer Handschuhe tragen.
- Schneidklinge nach jedem Gebrauch reinigen und mit einem Schutzöl einsprühen. Wir empfehlen, die Schneidklinge bei länger dauernden Arbeiten regelmäßig mit Schutzöl zu schmieren.
- Sichtkontrollen der Schneidklinge durchführen und überprüfen, ob die Schrauben fest in der Schneidleiste sitzen.
- Sicherstellen, dass der Klingenschutz am Gerät montiert ist.

Aufbewahrung

Die Heckenschere sollte an einem sicheren, trockenen Ort aufbewahrt werden, der für Kinder unzugänglich ist. Keine anderen Gegenstände auf ab dem Gerät ablegen.

UMWELTSCHUTZ



Schadhafte und/oder zu entsorgende elektrische oder elektronische Werkzeuge und Geräte müssen an den dafür vorgesehenen Recycling-Stellen abgegeben werden.

Nur für EG-Länder

Entsorgen Sie Elektrowerkzeuge nicht über den Hausmüll. Entsprechend der EU-Richtlinie 2012/19/EG über Elektro- und Elektronik-Altgeräte sowie der Umsetzung in nationales Recht müssen Elektrowerkzeuge, die nicht mehr im Gebrauch sind, getrennt gesammelt und umweltschonend entsorgt werden.

GARANTIE

FERM-Produkte werden nach den höchsten Qualitätsstandards entwickelt und sind für den gesetzlich festgelegten Zeitraum, ausgehend von dem ursprünglichen Kaufdatum, garantiert frei von Fehlern in Material und Ausführung. Sollte das Produkt in diesem Zeitraum aufgrund von Material- und/oder Verarbeitungsmängeln Fehler aufweisen, wenden Sie sich bitte direkt an FERM Kundendienst.

Folgende Umstände sind von der Garantie ausgeschlossen:

- Reparaturen und oder Änderungen an der Maschine, die durch nicht-autorisierte Servicestellen vorgenommen oder versucht wurden.
- Normale Abnutzung und Verschleiß.
- Das Werkzeug wurde übermäßig beansprucht, missbräuchlich verwendet oder falsch gewartet.
- Es wurden keine Original-Ersatzteile verwendet.

Dies stellt die einzige Gewährleistung des Unternehmens dar, sowohl ausdrücklich als auch implizit. Es gibt keine anderen ausdrücklichen oder stillschweigenden Garantien, die über das hier Genannte hinausgehen, einschließlich der stillschweigenden Garantien der Marktgängigkeit oder Eignung für einen bestimmten Zweck. In keinem Fall ist FERM haftbar für Neben- oder Folgeschäden. Die Rechtsmittel des Händlers beschränken sich auf Reparatur oder Ersatz fehlerhafter Einheiten oder Teile.

Am Produkt und am Benutzerhandbuch können Änderungen vorgenommen werden. Die technischen Daten können sich ohne Vorankündigung ändern.

NOŻYCE DO ŻYWOPŁOTU HTM1005

Dziękujemy za zakup tego produktu FERM. Nabyliście Państwo doskonały produkt, dostarczany przez jednego z wiodących dostawców w Europie. Wszystkie produkty dostarczane Państwu przez Ferm są wytwarzane zgodnie z najwyższymi standardami wydajności i bezpieczeństwa. W ramach naszej filozofii zapewniamy również doskonałą obsługę klienta, wspartą wszechstronną gwarancją. Mamy nadzieję, że będziecie Państwo z przyjemnością korzystali z tego produktu przez wiele lat.

1. INSTRUKCJE BEZPIECZEŃSTWA



Przeczytać dołączone ostrzeżenia dotyczące bezpieczeństwa, dodatkowe ostrzeżenia dotyczące bezpieczeństwa oraz instrukcje. Nieprzestrzeganie ostrzeżeń dotyczących bezpieczeństwa oraz instrukcji może prowadzić do porażenia prądem, pożaru i/lub poważnych obrażeń ciała. **Zachować ostrzeżenia dotyczące bezpieczeństwa oraz instrukcje na przyszłość.**

Następujące symbole są umieszczone w instrukcji obsługi lub na produkcie:



Przeczytać instrukcje obsługi.



Oznacza ryzyko obrażeń ciała, śmierci lub uszkodzenia narzędzia w razie nieprzestrzegania poleceń z instrukcji.



Ryzyko wyrzucenia przedmiotów w powietrze. Nie pozwalaj osobom postronnym zbliżać się do obszaru pracy.



Nie wystawiać urządzenia na działanie deszczu.



NIEBEZPIECZEŃSTWO - dłonie trzymać z dala od ostrza.



Używać gogli ochronnych. Stosować osłonę dla uszu.



Nosic rękawice ochronne.



Przed rozpoczęciem czyszczenia i konserwacji zawsze wyłączać maszynę i wyjmować z niej akumulator.



Nie wyrzucać produktu do nieodpowiednich pojemników.



Produkt spełnia wymogi odpowiednich norm bezpieczeństwa podanych w dyrektywach UE.

OGÓLNE ZALECENIA DOTYCZĄCE BEZPIECZEŃSTWA



UWAGA! Przeczytać wszystkie ostrzeżenia dotyczące bezpieczeństwa i wszystkie instrukcje. Nieprzestrzeganie wszystkich poniższych instrukcji może być przyczyną porażenia prądem, pożaru i/lub poważnych obrażeń.

Zachowaj poniższe instrukcje.

Termin „elektronarzędzia akumulatorowe” we wszystkich ostrzeżeniach zamieszczonych poniżej odnosi się do elektronarzędzi akumulatorowych zasilanych sieciowo (przewodowych) lub elektronarzędzi akumulatorowych działających na baterie (beprzewodowych).

1) Obszar roboczy

- a) **Obszar roboczy należy utrzymywać w czystości.** Powinien on być dobrze oświetlony. Nieład i złe oświetlenie mogą z łatwością doprowadzić do wypadku.
- b) **Nie korzystaj z elektronarzędzi akumulatorowych w warunkach, w których łatwo może dojść do wybuchu, np. w obecności łatwopalnych cieczy, gazów lub pyłu.** Podczas pracy elektronarzędzi akumulatorowych powstają iskry, które mogą doprowadzić do zapłonu pyłu lub oparów.
- c) **Dzieci i inne osoby postronne powinny pozostać w bezpiecznej odległości od pracującego urządzenia.** Rozproszenie uwagi może spowodować utratę kontroli nad urządzeniem.

- 2) **Bezpieczeństwo związane z elektrycznością**
- a) **Wtyczki elektronarzędzi akumulatorowych muszą być odpowiednie do danego gniazda. Pod żadnym pozorem nie należy modyfikować wtyczki w jakikolwiek sposób. Nie należy używać adapterów, które uziemiają elektronarzędzia akumulatorowe.** Stosowanie wtyczek nie poddanych modyfikacjom oraz odpowiednich gniazd zmniejsza ryzyko porażenia prądem.
 - b) **Należy unikać bezpośredniego kontaktu fizycznego z powierzchniami uziemionymi, takimi jak rury, grzejniki, kuchenki, lodówki.** Ryzyko porażenia prądem jest większe, jeśli ciało osoby obsługującej urządzenie jest uziemione.
 - c) **Nie należy wystawiać elektronarzędzi akumulatorowych na działanie deszczu lub wilgoci.** Dostanie się wody do wnętrza elektronarzędzia akumulatorowego zwiększy ryzyko porażenia prądem.
 - d) **Nie należy używać przewodu w niewłaściwy sposób. Pod żadnym pozorem nie należy wykorzystywać przewodu do przenoszenia lub ciągnięcia elektronarzędzia akumulatorowego, ani do jego odłączania od sieci. Przewodu nie należy wystawiać na działanie ciepła, smarów. Powinien on znajdować się w bezpiecznej odległości od ostrych krawędzi i części ruchomych.** Przewody uszkodzone lub poplątane zwiększają ryzyko porażenia prądem.
 - e) **Podczas korzystania z elektronarzędzia akumulatorowego na wolnym powietrzu, należy używać przewodu przedłużacza przystosowanego do użytku na zewnątrz.** Używanie przewodu nadającego się do użytku na wolnym powietrzu zmniejsza ryzyko porażenia prądem.
 - f) **Jeśli obsługa elektronarzędzia w wilgotnym miejscu jest nieunikniona, użyć zasilania wyposażonego w wyłącznik różnicowo-prądowy.** Użycie wyłącznika różnicowo-prądowego zmniejsza ryzyko porażenia prądem.
- 3) **Bezpieczeństwo osoby obsługującej urządzenie**
- a) **Przez cały czas należy mieć się na baczności, uważać na to, co się robi, a w czasie obsługi elektronarzędzia akumulatorowego postępować mając na**
 - uwadze zdrowy rozsądek. **Urządzenia nie powinny obsługiwać osoby zmęczone lub będące pod wpływem narkotyków, alkoholu lub leków.** Chwila nieuwagi w czasie obsługi elektronarzędzi akumulatorowych może być przyczyną powstania poważnych obrażeń ciała.
 - b) **Należy korzystać ze sprzętu ochronnego oraz zawsze nosić okulary ochronne.** Sprzęt ochronny, jak na przykład maska przeciwpyłowa, antypoślizgowe obuwie ochronne, kask lub słuchawki ochronne używane we właściwych sytuacjach pozwoli na zmniejszenie ryzyka obrażeń ciała.
 - c) **Unikać niezamierzonego uruchomienia. Przed podłączeniem urządzenia do sieci, zawsze sprawdzić, czy przełącznik znajduje się w pozycji „wyłączony”.** Przeniesienie elektronarzędzi z palcem na przełączniku lub włączonych elektronarzędzi z przełącznikiem w położeniu włączenia jest bardzo niebezpieczne i może powodować wypadki.
 - d) **Przed włączeniem elektronarzędzia akumulatorowego należy usunąć z niego wszystkie klucze nastawcze lub maszynowe.** Pozostawienie klucza zamocowanego na jednej z części obrotowych urządzenia może spowodować powstanie obrażeń ciała.
 - e) **Nie należy sięgać ponad urządzeniem. Przez cały czas należy zachować odpowiednią równowagę i zapewnić odpowiednie oparcie dla stóp.** Pozwoli to na lepsze kontrolowanie urządzenia w nieoczekiwanych sytuacjach.
 - f) **Należy nosić odpowiednie ubranie. Do pracy z urządzeniem nie wkładać luźnych ubrań ani biżuterii. Włosy, ubranie i rękawiczki trzymać z dala od części ruchomych.** Luźne części ubrania, biżuteria lub długie włosy mogą zostać wciągnięte przez części ruchome.
 - g) **Jeśli w urządzeniu przewidziano elementy służące do odprowadzania i zbierania pyłu, należy sprawdzić, czy są podłączone, i czy działają we właściwy sposób.** Korzystanie z tego typu elementów pozwala ograniczyć ryzyko związane z wydzielaniem pyłu podczas pracy urządzenia.
 - h) **Nie zezwalać na to, aby rutyna związana z częstym korzystaniem z narzędzi powodowała nadmierną pewność siebie**

i ignorowanie zasad bezpiecznego korzystania z narzędzi. Nieodpowiedzialne działanie może spowodować poważne obrażenia ciała w ułamku sekundy.

4) Obsługa i konserwacja elektronarzędzi akumulatorowych

- a) **Urządzenia nie należy przeciążać. Należy korzystać z narzędzia odpowiedniego do danego typu pracy.** Odpowiednio dobrane urządzenie pozwoli na lepsze i bezpieczniejsze wykonanie pracy, we właściwym dla urządzenia tempie.
- b) **Z elektronarzędzia akumulatorowego nie należy korzystać, jeśli nie można go włączyć i wyłączyć przy pomocy przełącznika.** Urządzenie, którego nie można kontrolować używając przełącznika jest niebezpieczne i powinno być oddane do naprawy.
- c) **Przed przystąpieniem do regulowania elektronarzędzi akumulatorowych, wymiany akcesoriów lub przygotowywania urządzeń do okresu przechowywania, należy odłączyć wtyczkę od źródła zasilania.** Tego typu środki ostrożności zmniejszają ryzyko przypadkowego uruchomienia urządzenia.
- d) **Nieczynne elektronarzędzia akumulatorowe należy przechowywać poza zasięgiem dzieci. Nie należy pozwolić, aby osoby nie znające urządzenia lub niniejszych instrukcji obsługiwały urządzenie.** Elektronarzędzia akumulatorowe w rękach niekompetentnych użytkowników stanowią zagrożenie.
- e) **Elektronarzędzia akumulatorowe należy utrzymywać w dobrym stanie technicznym. Należy sprawdzać, czy części ruchome są właściwie założone, i czy się nie zacinają. Należy również sprawdzać, czy jakieś części nie są uszkodzone oraz sprawdzać wszelkie inne elementy, które mogą wpłynąć na pracę urządzeń. Jeśli urządzenie jest uszkodzone, przed przystąpieniem do jego użytkowania, należy je naprawić.** Częstą przyczyną wypadków jest zły stan techniczny urządzeń.
- f) **Narzędzia służące do cięcia powinny być naostrzone i utrzymywane w czystości.** Jeśli narzędzia służące do cięcia, które posiadają ostre krawędzie tnące, są właściwie konserwowane, istnieje mniejsze prawdopodobieństwo ich zacinania się. Ponadto, łatwiej je kontrolować.

- g) **Elektronarzędzia akumulatorowego, akcesoriów, nakładek, itp. należy używać zgodnie z niniejszymi instrukcjami oraz w sposób właściwy dla danego rodzaju urządzenia, z uwzględnieniem warunków pracy oraz jej rodzaju.** Używanie urządzenia niezgodnie z przeznaczeniem może prowadzić do powstania sytuacji niebezpiecznych.
 - h) **Uchwyty należy utrzymywać w stanie suchym, czystym i niezabrudzonym olejem lub smarem.** Śliskie uchwyty i powierzchnie do chwytania nie pozwalają na bezpieczne obchodzenie się z narzędziem i panowanie nad nim w nieoczekiwanych sytuacjach.
- #### 5) Użytkowanie i konserwacja urządzenia zasilanego akumulatorami
- a) **Ładować tylko przy użyciu ładowarki określonej przez producenta.** Ładowarka przewidziana dla jednego rodzaju akumulatorów stwarza ryzyko pożaru w przypadku użycia jej z innym zestawem akumulatorów.
 - b) **Należy używać jedynie akumulatorów przeznaczonych dla danego urządzenia.** Użycie innych akumulatorów stwarza ryzyko wystąpienia obrażeń ciała lub pożaru.
 - c) **Kiedy akumulatory nie są używane, należy przechowywać je z dala od przedmiotów metalowych, takich jak spinacze do papieru, monety, klucze, gwoździe, śruby lub inne niewielkie przedmioty metalowe, które mogłyby spowodować zwarcie pomiędzy stykami.** Zwarcie styków akumulatora może spowodować pożar.
 - d) **W przypadku przeciążenia z akumulatora może wycieknąć płyn; nie należy go dotykać. W razie przypadkowego kontaktu przemyć skórę wodą. W przypadku dostania się płynu do oczu należy skontaktować się z lekarzem.** Płyn z akumulatora może powodować podrażnienia lub oparzenia.
 - e) **Nie używać uszkodzonego ani zmodyfikowanego akumulatora lub narzędzia.** Uszkodzone lub zmodyfikowane akumulatory mogą działać w sposób nieoczekiwany, co może powodować pożar, wybuch lub ryzyko obrażeń ciała.
 - f) **Nie wystawiać akumulatora ani narzędzia na działanie płomienia lub zbyt wysokiej**

temperatury. Narażenie na działanie płomienia lub temperatury powyżej 130°C może spowodować wybuch. UWAGA Temperaturę „130 °C“ można zastąpić temperaturą „265 °F“.

- g) **Przestrzegać wszystkich instrukcji ładowania i nie ładować akumulatora ani narzędzia poza zakresem temperatury podanym w instrukcji.** Nieprawidłowe ładowanie lub ładowanie w temperaturze poza podanym zakresem może spowodować uszkodzenie akumulatora i zwiększyć ryzyko pożaru.

6) Serwis

- a) **Zlecać serwisowanie elektronarzędzie wykwalifikowanemu technikowi stosującym jedynie części zamienne identyczne z oryginalnymi.** Zapewni to zachowanie bezpieczeństwa elektronarzędzia.
- b) **Nigdy nie serwisować uszkodzonych akumulatorów.** Serwisowanie akumulatorów może przeprowadzać wyłącznie producent lub autoryzowany serwis.

PRZYCINARKA DO ŻYWOPLÓTU - DODATKOWE INSTRUKCJE DOTYCZĄCE BEZPIECZEŃSTWA

- Miejsce pracy utrzymywać w porządku i czystości.
- Zawsze prawidłowo trzymać nożyce. Do obsługi używać obu rąk.
- Urządzenia umożliwiające znalezienie się nad ziemią muszą być stabilne i nie mogą się przewracać – nie wolno też sięgać rękami dalej, niż jest to możliwe.
- Nie używać elektronarzędzi podczas deszczu lub w wilgotnych środowiskach. Nie używać elektronarzędzi, jeśli występuje ryzyko pożaru lub eksplozji – np. w pobliżu płynów lub gazów łatwopalnych.
- Nie należy pozwalać dzieciom przebywać w miejscu pracy.
- Dzieci ani osoby postronne nie powinny dotykać elektronarzędzi.
- Nie należy pozostawiać elektronarzędzi bez nadzoru.
- Przechowywać w suchym miejscu poza zasięgiem dzieci.
- Zawsze nosić okulary i rękawice ochronne. Zalecamy także korzystanie z ochraniaczy słuchu.
- Należy nosić odpowiednie ubrania – unikać

luźnych strojów i biżuterii, pilnować, by ubiór nie wszedł w kontakt z ruchomymi częściami narzędzia.

- Długie włosy należy związać, aby nie wplątały się w ruchome części narzędzia.
- Przed użyciem jakichkolwiek elektronarzędzi należy najpierw sprawdzić, czy nie ma uszkodzonych części, a jeśli tak, nie należy używać narzędzia przed wymianą części na nowe.
- Nie używać elektronarzędzi pod wpływem alkoholu lub zmęczenia.
- Nie używać siły do obsługi narzędzia – należy pozwolić mu działać zgodnie z przeznaczeniem.
- Nie należy sięgać zbyt daleko podczas pracy – można stracić równowagę.
- Nie należy korzystać z urządzenia bez założonej osłony na ostrze. Osłona musi być zawsze założona.
- Należy korzystać wyłącznie z części zamiennych i dodatków dostarczonych przez firmę FERM. Korzystanie z dodatków innych niż te dostarczone lub zalecane przez firmę FERM spowoduje utratę gwarancji i może być niebezpieczne.
- Z narzędzia należy korzystać wyłącznie zgodnie z przeznaczeniem – do przycinania żywopltów i krzewów.



Zawsze należy zachowywać ostrożność!



Niebezpieczeństwo!

- a) **Trzymać wszystkie części ciała z dala od ostrza. Nie usuwać odciętego materiału ani nie trzymać materiału do przecięcia, gdy ostrza się poruszają.** *Ostrza poruszają się jeszcze przez jakiś czas po wyłączeniu narzędzia. Chwila nieuwagi podczas obsługi nożyc do żywopltu może prowadzić do poważnych obrażeń ciała.*
- b) **Przenieść nożyce do żywopltu za uchwyt z zatrzymanym ostrzem i zachowując ostrożność, aby nie uruchomić żadnego włącznika zasilania.** *Prawidłowe przenoszenie nożyc do żywopltu zmniejsza ryzyko niezamierzonego uruchomienia narzędzia i obrażeń ciała spowodowanych przez ostrza.*

- c) **Na czas transportu lub przechowywania nożyc do żywoplotu zawsze zakładać osłonę ostrza.** *Prawidłowe obchodzenie się z nożycami do żywoplotu zmniejsza ryzyko obrażeń ciała spowodowanych przez ostrza.*
- d) **W przypadku usuwania zablokowanego materiału lub serwisowania narzędzia dopilnować, aby wszystkie włączniki zasilania były odłączone.** *Nagłe uruchomienie nożyc do żywoplotu podczas usuwania zablokowanego materiału lub serwisowania może spowodować poważne obrażenia ciała.*
- e) **Trzymać nożyce do żywoplotu wyłącznie za izolowane powierzchnie przeznaczone do chwytania, ponieważ ostrze tnące może zetknąć się z ukrytym okablowaniem lub kablem narzędzia.** *Zetknięcie się ostrza z przewodem pod napięciem może sprawić, że odsłonięte metalowe części nożyc również znajdą się pod napięciem i spowodować porażenie operatora prądem.*
- f) **Trzymać wszystkie kable zasilania i inne kable z dala od obszaru cięcia.** *Kable zasilania i inne kable mogą być ukryte w żywoplotcie lub w krzewach i zostać przypadkowo przecięte przez ostrze.*
- g) **Nie używać nożyc w złych warunkach pogodowych, szczególnie wtedy, gdy występuje ryzyko wyładowań atmosferycznych.** *Pozwoli to ograniczyć ryzyko porażenia piorunem.*
- h) **Należy regularnie sprawdzać i konserwować przycinarkę.** *Przycinarka może być naprawiana wyłącznie przez autoryzowany serwis.*
- i) **Dłonie i stopy należy zawsze trzymać poza obszarem cięcia.**
- j) **Przycinarkę zawsze trzymać w bezpiecznej odległości od ciała.**
- k) **Zawsze należy nosić okulary ochronne.**
- l) **Zawsze należy nosić rękawice.**
- m) **Z przycinarki należy korzystać jedynie przy świetle dziennym.**
- n) **Za każdym razem należy sprawdzić, czy otwory wentylacyjne są wolne od zanieczyszczeń.**
- o) **W promieniu 5 metrów od obszaru przycinania nie powinny się znajdować żadne osoby ani zwierzęta.**

DODATKOWE OSTRZEŻENIA DOTYCZĄCE BEZPIECZEŃSTWA BEZPRZEWODOWE NOŻYCE DO ŻYWOPLÓTU


- Nie ładować nożyc do żywoplotu w deszczu ani w mokrych miejscach.
- Nie używać bezprzewodowych nożyc do żywoplotu w deszczu.
- Wyjąć lub odłączyć akumulator przed rozpoczęciem serwisowania, czyszczenia lub usuwania materiału z nożyc do żywoplotu.
- Nie wrzucać akumulatora (akumulatorów) do ognia. Akumulator może wybuchnąć. Przestrzegać krajowych przepisów dotyczących utylizacji.

2. INFORMACJE O MASZYNI

Przeznaczenie

Te nożyce do żywoplotu są przeznaczone do odcinania gałęzi krzewów, roślin ozdobnych i żywoplotów.

DANE TECHNICZNE

Nr modelu	HTM1005
Napięcie znamionowe	20V 
Prędkość bez obciążenia	1.200/min.
Długość cięcia	450mm
Szerokość cięcia	14mm
Waga	1.98 kg
LPA (ciśnienie akustyczne)	81.3 db (A), KpA=3 dB (A)
LWA (moc akustyczna)	92.9 db (A), KwA=3 dB (A)
Wartość drgań:	
Uchwyt przedni Ah	2.459 m/s ² , K=1.5 m/s ²
Uchwyt tylny Ah	1.754 m/s ² , K=1.5 m/s ²

Używać wyłącznie następujących akumulatorów z platformy akumulatorów FX-POWER 20V. Użycie innych akumulatorów może spowodować poważne obrażenia ciała lub uszkodzenie narzędzia.

CDA1167	20V, 2Ah litowo-jonowy
CDA1168	20V, 4Ah litowo-jonowy

Następującej ładowarki można używać do ładowania tych akumulatorów.

CDA1169	Ładowarka
CDA1170	Szybka ładowarka

Akumulatory należące do platformy FX-POWER 20V można stosować we wszystkich narzędziach z platformy FERM FX-POWER.

Poziom drgań

Poziom emisji drgań podany w tej instrukcji obsługi został zmierzony zgodnie ze standaryzowanym testem podanym w normie EN 62841; może on służyć do porównywania narzędzi ze sobą oraz do wstępnego oszacowania ekspozycji na drgania podczas użytkowania narzędzia do podanych zastosowań

- używanie narzędzia do innych zastosowań lub z innymi lub źle konserwowanymi akcesoriami może znacząco zwiększać poziom ekspozycji
- okresy, gdy narzędzie jest wyłączone lub okresy, gdy jest włączone, ale nie pracuje, mogą znacząco zmniejszać poziom ekspozycji

Chronić się przed wpływem drgań, konserwując odpowiednio narzędzie i akcesoria, utrzymując ciepłotę dłoni oraz odpowiednio organizując pracę.

OPIS

Liczby w tekście odnoszą się do rysunków na stronach 2-3.

1. Włacznik
2. Akumulator (nie dołączona)
3. Przycisk odblokowania akumulatora
4. Ostrze tnące
5. Osłona ochronna
6. Uchwyt przedni
7. Wyłącznik bezpieczeństwa
8. Zabezpieczenie na czas transportu

3. MONTAŻ



Przed rozpoczęciem jakichkolwiek prac dotyczących elektronarzędzia, wyjąć akumulator.



Zawsze wyjmować akumulator przed zamocowaniem akcesorium

Montaż uchwytu przedniego (rys. B)

1. Założyć uchwyt przedni (6) na narzędzie zgodnie z rysunkiem B.
2. Przymocować uchwyt przedni (6), dokręcając śrubę.

Montaż osłony ochronnej (rys. C)



Nie można korzystać z przycinarki do żywopłotów bez założonych osłon.

1. Założyć osłonę ochronną (5) na narzędzie zgodnie z rysunkiem C.
2. Przymocować osłonę ochronną (5), dokręcając śrubę.

Wkładanie akumulatora do narzędzia (Fig. A, D)



Dopilnować, aby zewnętrzna powierzchnia akumulatora była czysta i sucha przed podłączeniem do ładowarki lub narzędzia.

1. Włożyć akumulator (2) w podstawę narzędzia, zgodnie z rys. D.
2. Wcisnąć akumulator dalej, aż zatrzaśnie się w poprawnym położeniu.

Wymywanie akumulatora z narzędzia (Fig. A, D)

1. Nacisnąć przycisk odblokowania akumulatora (3)
2. Wyjąć akumulator z narzędzia zgodnie z rys. D.

4. OBSŁUGA



Przed użyciem zawsze sprawdzić wzrokowo, czy noże, śruby noży i zespół tnący nie są zużyte lub uszkodzone.



Nie można korzystać z przycinarki do żywopłotów bez założonych osłon.



Zawsze używać obu rąk do trzymania przycinarki i trzymać ją z dala od ciała.

Korzystanie z przycinarki do żywopłotów

- Dla własnego bezpieczeństwa i uzyskania najlepszych rezultatów należy zapoznać się z poniższymi poradami dla użytkowników i nie używać produktu do innych celów, niż jest przeznaczony.
- Ta przycinarka do żywopłotów służy do przycinania żywopłotów i krzewów. Wszystkie pozostałe zastosowania nie opisane w tej instrukcji mogą spowodować uszkodzenie przycinarki lub obrażenia użytkownika.

Włączanie i wyłączanie (Fig. A)

- Aby włączyć przycinarkę, nacisnąć jednocześnie przełącznik zabezpieczający (7) i przełącznik uruchamiający (1).
- Aby wyłączyć urządzenie, puścić jeden lub oba przełączniki.

Przycinanie żywopłotu – sprawdzona metoda

- Przycinarki do żywopłotów można używać także do przycinania krzewów.
- Najlepsze efekty osiąga się, trzymając ostrze pod kątem nie większym niż 15°.
- Naprzemiennie obracające się noże tną po obu stronach, dzięki czemu możliwe jest przycinanie żywopłotu w obu kierunkach.
- Boki żywopłotu należy przycinać, poruszając narzędziem po łuku, od dołu w górę.
- Żywopłot powinien być szerszy u dołu niż u góry. Zapewni to lepsze docieranie światła i utrzymanie dobrego stanu żywopłotu. Jeśli to możliwe, należy przyciąć obie strony żywopłotu.
- Przycinając boki żywopłotu, należy to robić od dołu w górę. Dzięki temu ścinki żywopłotu nie będą przeszkadzać w cięciu. Nie należy ciąć na siłę zbyt głęboko. Ciąć delikatnie po powierzchni żywopłotu.
- Przycinając górną część żywopłotu, należy ciąć od siebie, ale nie sięgać zbyt daleko. Zalecane jest cięcie z jednoczesnym przesuwaniem się wzdłuż żywopłotu, przez cały czas stojąc mocno na obu stopach.

Bezpieczny transport

Nożyce do żywopłotu są wyposażone w zabezpieczenie na czas transportu (8) do bezpiecznego transportu narzędzia.

takich jak benzyna, alkohol, amoniak itp. Takie substancje chemiczne spowodują uszkodzenie części z tworzywa sztucznego.

Ostrze tnące

- Podczas obchodzenia się z ostrzem tnącym lub jego czyszczenia zawsze nosić rękawice.
- Oczyszczyć ostrze tnące i spryskać je olejem ochronnym po każdym użyciu. Zalecamy regularne smarowanie ostrza tnącego olejem ochronnym podczas długich okresów pracy.
- Wzrokowo sprawdzić stan ostrza tnącego i sprawdzić, czy śruby są dobrze dokręcone w prowadnicy ostrza.
- Dopilnować, aby osłona ostrza była zamontowana na narzędziu.

Przechowywanie

Nożyce przechowywać w bezpiecznym i suchym miejscu niedostępnym dla dzieci. Nie kłaść niczego na narzędziu.

SRODOWISKO



Uszkodzone i/lub niepotrzebne urządzenia elektryczne lub elektroniczne podlegają zbiórce w odpowiednich punktach recyklingu.

Tylko kraje WE

Nie wyrzucac elektronarzędzi wraz z odpadami z gospodarstw domowych. Zgodnie z dyrektywa 2012/19/WE dotycząca zużytych urządzeń elektrycznych i elektronicznych oraz jej wdrożeniem do prawodawstwa krajowego, elektronarzędzia, które już nie nadają się do użytku, podlegają oddzielnej zbiórce oraz utylizacji w sposób przyjazny dla środowiska.

5. KONSERWACJA



Przed rozpoczęciem czyszczenia i konserwacji zawsze wylaczac maszynę i wyjmowac z niej akumulator.

Czyszczyć obudowę maszyny regularnie miękką ściereczką, najlepiej po każdym użyciu. Dopilnować, aby otwory wentylacyjne były wolne od pyłu, kurzu i zabrudzeń. Usuwać oporne zabrudzenia miękką ściereczką zwilżoną mydlinami. Nie używać żadnych rozpuszczalników,

GWARANCJA

Produkty FERM zostały wykonane zgodnie z najwyższymi normami jakości i są objęte gwarancją na wady materiałowe i wady wykonania przez okres określony zgodnie z prawem od dnia pierwszego zakupu. Jeśli w tym okresie wystąpi awaria produktu z powodu wady materiałowej i/lub wady wykonania, proszę skontaktować się bezpośrednio ze sprzedawcą FERM.

Następujące okoliczności nie są objęte niniejszą gwarancją:

- Naprawy i/lub modyfikacje maszyny lub ich próby wykonane przez nieautoryzowane centra serwisowe.
- Normalne zużycie.
- Błędne użytkowanie narzędzia lub jego błędna konserwacja.
- Wykorzystanie części zamiennych innych niż Oryginalne

Niniejsze zapisy stanowią wyłączną gwarancję wyrażoną lub dorozumianą oferowaną przez firmę. Nie występują żadne inne wyraźne lub dorozumiane gwarancje o zakresie przekraczającym niniejszą gwarancję, w tym domniemane gwarancje przydatności do sprzedaży lub przydatności do określonego celu. W żadnym razie FERM nie ponosi odpowiedzialności za żadne szkody uboczne lub wynikowe. Zobowiązania sprzedawcy są ograniczone do naprawy lub wymiany niezgodnych urządzeń lub części

Produkt i instrukcja obsługi podlegają zmianom. Dane techniczne podlegają zmianom bez uprzedzenia.

ELEKTRICKÉ NŮŽKY NA ŽIVÝ PLOT HTM1005

Děkujeme vám za zakoupení tohoto výrobku značky FERM. Nyní máte k dispozici vynikající výrobek dodávaný jedním z hlavních evropských dodavatelů. Všechny výrobky dodávané společností Ferm jsou vyráběny podle požadavků nejnáročnějších norem týkajících se výkonu a bezpečnosti. Jako součást naší firemní filozofie poskytujeme také vynikající zákaznický servis, který je podporován naší komplexní zárukou. Doufáme, že vám náš výrobek bude řádně sloužit mnoho let.

1. BEZPEČNOSTNÍ POKYNY



Přečtěte si přiložená bezpečnostní varování, doplňkové bezpečnostní pokyny a pokyny k obsluze.

*Nedodržení bezpečnostních varování a pokynů může způsobit elektrický šok, požár, nebo těžké poranění. **Uschovejte si bezpečnostní výstrahy a pokyny pro příští potřebu.***

Následující symboly byly použity v návodě k obsluze nebo na produktu:



Přečtěte si návod k obsluze.



Upozorňuje na riziko zranění osob, ztráty života nebo poškození zařízení, nebudou-li dodržovány pokyny uvedené v tomto návodu.



Nebezpečí odlétávajících předmětů. Dbejte, aby se v pracovním prostoru nenacházeli kolemstojící osoby.



Nepoužívejte v dešti.



NEBEZPEČÍ – Udržujte ruce v bezpečné vzdálenosti od nožů.



Používejte ochranné brýle. Používejte ochranu sluchu.



Používejte ochranné rukavice.



Před čištěním a prováděním údržby náradí vždy vypněte a vyjměte baterii z náradí.



Výrobek nezahazujte do nevhodných kontejnerů.



Výrobek je v souladu s příslušnými bezpečnostními standardy evropských směrnic.

VŠEOBECNÉ BEZPEČNOSTÍ PŘEDPISY



POZOR!

Přečtěte si všechny bezpečnostní výstrahy a všechny pokyny. Pokud

byste se pokyny, jež jsou uvedeny níže, neřídili, mohl by dojít k úrazu elektrickým proudem, požáru, popřípadě k vážnému mechanickému úrazu.

Tyto pokyny si siuschovejte.

Výraz „náradí“ v těchto pokynech značí jakékoliv elektrické náradí, ať už je napájené ze sítě (náradí s přívodní šňůrou) nebo z baterie (náradí bez přívodní šňůry).

1) Pracovní prostor

- V pracovním prostoru udržujte pořádek a zajistěte si v něm dobré osvětlení.** V nepořádku a při tmě dochází snadno k nehodám a úrazům.
- S elektrickým náradím nepracujte ve výbušném prostředí, jaké představují hořlavé kapaliny a plyny nebo prach.** Elektrické náradí jiskří, a proto se mohou výpary nebo prach vznítit.
- Při práci s elektrickým náradím udržujte děti a okolostojící osoby v dostatečné vzdálenosti.** Pokud by vás někdo rozptyloval, snadno nad náradím ztratíte kontrolu.

2) Elektrická bezpečnost

- Síťová zástrčka musí odpovídat zásuvce.** Nikdy zástrčku nijak neupravujte. U zemněného náradí nepoužívejte žádné upravené zástrčky. Pouze s neupravenou

zástrčkou a odpovídající zásuvkou může být nebezpečí úrazu elektrickým proudem minimální.

- Dbejte, abyste se nedotýkali zemněných povrchů, jako jsou potrubí, radiátory, sporáky nebo chladničky.** Když máte tělo uzemněné, je nebezpečí úrazu elektrickým proudem větší.
 - Nevystavujte elektrické náradí dešti ani vlhkosti.** Vnikne-li do náradí voda, nebezpečí úrazu elektrickým proudem se zvyšuje.
 - S přívodní šňůrou zacházejte šetrně a používejte ji pouze k jejímu účelu.** Nikdy za ni náradí nenoste ani nevěste a nevytahujte za ni zástrčku ze zásuvky. Uchovávejte ji mimo dosah horka a mimo kontakt s oleji, ostrými hranami a pohyblivými díly. Poškozená nebo zapletená šňůra zvyšuje nebezpečí úrazu elektrickým proudem.
 - Při práci venku používejte prodlužovací kabel vhodný pro venkovní prostředí.** Používáním kabelů vhodných pro venkovní prostředí se snižuje nebezpečí úrazu elektrickým proudem.
 - Musíte-li používat toto elektrické náradí ve vlhkém prostředí, používejte v elektrickém obvodu proudový chránič (RCD).** Použití proudového chrániče (RCD) snižuje riziko úrazu elektrickým proudem.
- ### 3) Osobní bezpečnost
- Udržujte stále pozornost, soustřeďte se na to, co děláte, a při práci s elektrickým náradím se řiďte zdravým rozumem.** Jste-li unaveni nebo pod vlivem drog, alkoholu nebo léků, s elektrickým náradím nepracujte. Při práci s elektrickým náradím stačí chvilková nepozornost, aby došlo k vážnému úrazu.
 - Vždy používejte prvky osobní ochrany.** Vždy noste vhodný prostředek ochrany zraku. Nošením odpovídajících bezpečnostních pomůcek a vybavení, jako je respirátor, neklouzavá obuv, tvrdý klobouk nebo prostředek ochrany sluchu, se nebezpečí úrazu snižuje.
 - Zabraňte náhodnému spuštění náradí.** Než náradí zapojíte do sítě, přesvědčte se, že je vypínač ve vypnuté poloze. Přenášení elektrického náradí s prstem na spouštěcím spínači nebo připojení elektrického náradí k zdroji elektrické energie, je-li spouštěcí spínač v poloze zapnuto, zvyšuje pravděpodobnost vzniku nehod.

- d) **Než elektrické nářadí zapnete, sundejte z něj všechny seřizovací klíče a jiné nástroje.** *Necháte-li klíč nebo nástroj ve styku s rotačním dílem nástroje, může snadno dojít k úrazu.*
- e) **Nikam se nenapřahujte. Udržujte si soustavně pevný postoj a rovnováhu.** *V neočekávaných situacích pak dokážete elektrické nářadí lépe kontrolovat.*
- f) **Na práci se vhodně oblečte. Nenoste žádný volný oděv ani šperky. Vlasy, oblečením ani rukavicemi se nepřibližujte k pohyblivým součástem nářadí.** *Volný oděv, šperky a dlouhé vlasy by se mohly pohyblivými součástmi zachytit.*
- g) **Pokud je nářadí vybaveno tak, že k němu lze připojit zařízení na odsávání a odlučování prachu, dbejte, aby bylo připojeno a řádně používáno.** *Používáním takového zařízení se snižují rizika spojená s vířením prachu.*
- h) **Nedovoďte, aby jistota získaná častým používáním nářadí vedla ke snížení vaší pozornosti a ignorování zásad bezpečné práce s nářadím.** *Neopatrný úkon může během zlomku sekundy způsobit vážné zranění.*
- 4) Práce s elektrickým nářadím a péče o ně**
- a) **Na elektrické nářadí netlačte. Pro svůj účel zvolte vhodné nářadí.** *Správné nářadí vykoná práci lépe a bezpečněji rychleji, na kterou je konstruováno.*
- b) **Jestliže vypínač nářadí nezapíná či nevypíná, nářadí nepoužívejte.** *Elektrické nářadí, které se nedá vypínačem ovládat, je nebezpečné a je třeba dát je opravit.*
- c) **Než začnete elektrické nářadí jakkoliv seřizovat, vyměňovat příslušenství nebo ukládat, odpojte jeho zástrčku od sítě.** *Tímto preventivním bezpečnostním opatřením snížíte riziko, že se nářadí bezděčně uvede do chodu.*
- d) **Pokud s nářadím nepracujete, uchovávejte je mimo dosah dětí. Osobám, které nejsou s obsluhou nářadí nebo s těmito pokyny seznámeny, nedovoďte s ním pracovat.** *V rukou neškolené osoby je elektrické nářadí nebezpečné.*
- e) **Věnujte elektrickému nářadí potřebnou údržbu. Kontrolujte, zda je na nářadí všechno správně seřizováno a utaženo, pohyblivé části nedrůu, žádná součást není zlomena nebo nářadí není ani jinak ve stavu, který by mohl narušit jeho správný chod. Pokud je elektrické nářadí poškozeno, je třeba dát je před použitím opravit.** *Nedostatečně udržované nářadí již způsobilo četné úrazy.*
- f) **Řezné nářadí udržujte ostré a čisté.** *Řádně udržované řezné nářadí s nabroušeným ostřím se tak snadno nezadíře a snáze se ovládá.*
- g) **Elektrické nářadí, příslušenství, vrtáky atd. používejte v souladu s těmito pokyny, a to způsobem a pro účel, pro který je nářadí konstruováno. Přitom berte v úvahu pracovní podmínky a práci, kterou chcete vykonat.** *Používáním elektrického nářadí na činnosti, na které není konstruováno, se můžete snadno dostat do nebezpečné situace.*
- h) **Dbejte na to, aby byly rukojeti a úchopné povrchy suché, čisté a zbavené olejí a maziv.** *Kluzké rukojeti a úchopné povrchy neumožňují bezpečnou manipulaci a ovládnání nářadí v neočekávaných situacích.*
- 5) Použití a péče o nástroj s bateriemi**
- a) **Nástroj dobíjejte pouze s nabíječkou určenou výrobcem.** *Nabíječka určená pro jeden typ akumulátoru může způsobit nebezpečí požáru při použití s jiným akumulátorem.*
- b) **Elektrické nástroje používejte pouze s konkrétně určeným akumulátorem.** *Použití jiného akumulátoru může způsobit nebezpečí zranění nebo požáru.*
- c) **Když akumulátor nepoužíváte, uložte ho mimo jiné kovové předměty jako jsou spony na papír, mince, klíče, hřebíky, šrouby nebo jiné malé kovové předměty, jenž by mohly vytvořit spojení dvou pólů.** *Zkratování pólů baterie může způsobit popáleniny nebo požár.*
- d) **Za nevhodných podmínek může kapalina z baterie vytéct. Nedotýkejte se jí. V případě náhodného doteku přeláchněte dotčené místo vodou. V případě kontaktu kapaliny s očima následně vyhledejte lékařskou pomoc.** *Kapalina vytečená z baterie může způsobit podráždění nebo popáleniny.*
- e) **Nepoužívejte poškozený nebo upravený akumulátor či nářadí.** *Poškozené nebo upravené baterie se mohou chovat nepředvídatelně, což může způsobit požár, výbuch nebo nebezpečí zranění.*

- f) **Nevystavujte akumulátor nebo nářadí ohni nebo nadměrným teplotám.** Vystavení účinkům ohně nebo teplot nad 130 °C může způsobit výbuch.
POZNÁMKA Teplota „130 °C“ odpovídá teplotě „265 °F“.
- g) **Dodržujte všechny pokyny pro nabíjení a nenabíjejte akumulátor nebo nářadí mimo teplotní rozsah specifikovaný v pokynech.** Nesprávné nabíjení nebo nabíjení při teplotě mimo specifikovaný rozsah může poškodit baterii a zvýšit nebezpečí vzniku požáru.
- 6) **Servis**
- a) **Svěřte opravu vašeho elektrického nářadí pouze osobě s příslušnou kvalifikací, která bude používat výhradně originální náhradní díly.** Tím zajistíte bezpečný provoz tohoto elektrického nářadí.
- b) **Nikdy sami neopravujte poškozené akumulátory.** Opravy akumulátorů musí provádět výhradně výrobce nebo autorizovaný servis.

DALŠÍ BEZPEČNOSTNÍ POKYNY PRO NŮŽKY NA ŽIVÝ PLOT

- Udržujte pracovní prostor čistý a uklizený.
- Vždy držte tyto nůžky správným způsobem. Při práci používejte obě ruce.
- Pokud používáte jakékoli pomůcky pro práci nad zemí, ujistěte se, že jsou stabilní a nemohou se převrhnout - nikdy se nevyklánějte.
- Nepoužívejte elektrické nářadí v dešti nebo mokřím prostředí. Nepoužívejte elektrické nářadí v místech s nebezpečím požáru nebo výbuchu - např. v blízkosti hořlavých kapalin nebo plynů.
- Nedovolte vstup dětí do pracovního prostoru.
- Nedovolte dětem nebo jiným osobám dotýkat se elektrického nářadí.
- Elektrické nářadí nenechávejte bez dozoru.
- Uložte jej na suchém místě mimo dosah dětí.
- Vždy používejte ochranné brýle a rukavice. Doporučujeme také použití ochrany sluchu.
- Používejte správné oblečení - žádné volné doplňky nebo šperky a ujistěte se, že se oděv nedostane do kontaktu s pohyblivými částmi.
- Máte-li dlouhé vlasy, svažte je dozadu, abyste zabránili jejich zachycení do pohyblivých částí.
- Před použitím jakéhokoli elektrického nářadí jej nejprve zkontrolujte z hlediska poškozených

dílů a pokud takové naleznete, nepoužívejte jej, dokud se tyto díly nevymění za nové.

- Elektrické nářadí nepoužívejte, jste-li unavení nebo pokud jste požíli alkohol.
- Na zařízení netlačte - nechejte jej pracovat rychlostí, pro jakou bylo navrženo.
- Při práci se nevyklánějte - mohli byste ztratit rovnováhu.
- Nikdy zařízení nepoužívejte bez namontovaného krytu čepele. Musí vždy zůstat namontovaný.
- Používejte pouze náhradní díly a příslušenství dodané společností Ferm. Použití jiného příslušenství, než dodávaného nebo doporučeného společností Ferm vede k zániku záruky a může být nebezpečné.
- Zařízení používejte pouze k jeho určenému účelu - zastřihování plotů a keřů.



Především buďte opatrní!



Nebezpečí!

- a) **Udržujte všechny části těla v bezpečné vzdálenosti od nožů. Neodstraňujte ostříhaný materiál nebo nedržte materiál, který bude stříhán, jsou-li nože v pohybu.** *Nože pokračují v pohybu ještě chvíli po nastavení spínače do polohy vypnuto. Chvilková nepozornost při práci s těmito nůžkami na živé ploty může vést k způsobení velmi nebezpečných zranění.*
- b) **Přenášejte tyto nůžky na živé ploty za rukojeť se zastavenou nožovou lištou a dávejte pozor, abyste neaktivovali jakýkoli spínač.** *Správné přenášení těchto nůžek na živé ploty sniží riziko neúmyslného spuštění a následných zranění způsobených noži nůžek.*
- c) **Při přepravě nebo uložení těchto nůžek na živé ploty nasadte vždy ochranný kryt na nožovou lištu.** *Správné manipulace s těmito nůžkami na živé ploty sniží riziko zranění osob způsobených noži nůžek.*
- d) **Při odstraňování uvízlého materiálu nebo při údržbě jednotky se ujistěte, zda jsou vypnuty všechny spínače a zda je odpojen napájecí kabel.** *Neočekávané spuštění těchto nůžek na živé ploty při odstraňování uvízlého*

materiálu nebo při provádění údržby může vést k způsobení vážného zranění.

- e) **Držte tyto nůžky na živé ploty pouze za izolovaná místa určená pro úchop, protože se nože nůžek mohou dostat do kontaktu se skrytým elektrickým vedením nebo s vlastním napájecím kabelem.** Nože, které se dostanou do kontaktu s „živým“ vodičem, mohou způsobit, že nechráněné kovové části těchto nůžek na živé ploty budou také „živé“, což může způsobit úraz obsluhy elektrickým proudem.
- f) **Udržujte všechny napájecí kabely a elektrické vodiče mimo prostor stříhání.** Napájecí kabely nebo elektrické vodiče mohou být ukryty v živých plotech nebo keřích a mohou být omylem přestříženy.
- g) **Nepoužívejte tyto nůžky na živé ploty ve špatných povětrnostních podmínkách, a to zejména v případech, kdy hrozí výskyt blesků.** Tak se sníží riziko zasažení bleskem.
- h) **Pravidelně nůžky kontrolujte a provádějte údržbu.** Nůžky nechte opravit pouze autorizovaným servisem.
- i) **Vždy udržujte ruce a nohy v dostatečné vzdálenosti od místa stříhání.**
- j) **Nůžky vždy držte v bezpečné vzdálenosti od těla.**
- k) **Vždy používejte ochranné brýle.**
- l) **Vždy používejte rukavice.**
- m) **Nůžky používejte pouze za denního světla.**
- n) **Vždy se ujistěte, že jsou větrací otvory bez nečistot.**
- o) **Ujistěte se, že se v okolí 5 metrů od místa stříhání nenachází žádné osoby ani zvířata.**

DALŠÍ BEZPEČNOSTNÍ POKYNY PRO NŮŽKY NA ŽIVÉ PLOTY:

- Nenabíjejte nůžky na živé ploty v dešti nebo ve vlhkém prostředí.
- Nepoužívejte nůžky na živé ploty napájené baterií v dešti.
- Vyjměte nebo odpojte baterii z tohoto nářadí před každým servisem, čištěním nebo odstraněním materiálu z těchto nůžek na živé ploty.
- Nelikvidujte staré baterie spalováním v ohni. Baterie může explodovat. Zkontrolujte možné speciální pokyny pro likvidaci podle místních předpisů.

2. INFORMACE O NÁŘADÍ

Určené použití

Tyto nůžky na živé ploty jsou určeny pouze pro stříhání větviček, křovin, okrasných rostlin a živých plotů.

TECHNICKÉ ÚDAJE

Model č.	HTM1005
Jmenovité napětí	20V
Otáčky naprázdno	1.200/min.
Délka stříhu	450mm
Šířka sečení	14mm
Hmotnost	1.98 kg
Akustický tlak LPA	81.3 dB (A), KpA=3 dB (A)
Akustický výkon LWA	92.9 dB (A), KwA=3 dB (A)
Hodnota vibrací:	
Přední rukojeť Ah	2.459 m/s ² , K=1.5 m/s ²
Zadní rukojeť Ah	1.754 m/s ² , K=1.5 m/s ²

Používejte pouze následující baterie z platformy baterií FX-POWER 20 V. Použití jakýchkoli jiných baterií může způsobit vážné zranění nebo poškození nářadí.

CDA1167 20V, 2Ah Li-Ion
CDA1168 20V, 4Ah Ah Li-Ion

Pro nabíjení těchto baterií může být použita následující nabíječka.

CDA1169 Nabíječka s adaptérem
CDA1170 Rychlá nabíječka

Baterie z platformy baterií FX-POWER 20V jsou použitelné v každém nářadí řady FERM FX-POWER.

Vibrace

Deklarovaná úroveň vibrací uvedená v tomto návodu byla měřena v souladu se standardní zkušební metodou předepsanou normou EN 62841. Tato úroveň vibrací může být použita pro srovnání jednotlivých nářadí mezi sebou a také při předběžném posouzení působících vibrací při používání nářadí při uvedených aplikacích:

- Použití tohoto nářadí pro jiné aplikace nebo s odlišným nebo špatně udržovaným příslušenstvím může značně zvýšit působení vibrací.
- Doba, kdy je nářadí vypnuto nebo kdy je v chodu, ale aktuálně nevykonává žádnou práci, může působení vibrací značně zkrátit.

Chraňte se před působením vibrací prováděním řádné údržby tohoto nářadí i jeho příslušenství, udržujte ruce v teple a provádějte práci správným způsobem.

POPIS

Čísla v následujícím textu odkazují na obrázky na stranách 2 až 3.

1. Vypínač
2. Baterie (není dodávána)
3. Tlačítko pro uvolnění baterie
4. Stříhací čepele
5. Ochranný kryt
6. Přední rukojeť
7. Bezpečnostní spínač
8. Převravní kryt

3. SESTAVENÍ



Před zahájením jakékoli práce na elektrickém nářadí vyjměte z tohoto nářadí baterii.



Před prvním použitím musí být baterie nabita.

Montáž přední rukojeti (obr. B)

1. Nasadte přední rukojeť (6) na toto nářadí, jak je zobrazeno na obr. B.
2. Upevněte přední rukojeť (6) utažením šroubu.

Montáž ochranného krytu (obr. C)



Nepoužívejte tyto nůžky na živé ploty bez ochranného krytu.

1. Nasadte ochranný kryt (5) na toto nářadí, jak je zobrazeno na obr. C.
2. Upevněte ochranný kryt (5) utažením šroubu.

Vložení baterie do nářadí (Obr. A,D)



Před vložením do nabíječky nebo do nářadí zajistěte, aby byl povrch baterie čistý a suchý.

1. Zasuňte baterii (2) do základny nářadí, jak je zobrazeno na obr. D.
2. Zatlačte baterii až do dorazové polohy tak, aby byla řádně zajištěna.

Vyjmutí baterie z nářadí (Obr. A,D)

1. Stiskněte tlačítko pro uvolnění baterie (3).
2. Vytáhněte baterii z nářadí, jak je zobrazeno na obr. D.

4. POUŽITÍ



Před použitím vždy vizuálně zkontrolujte, že nože, upevňovací šrouby čepelí a stříhací soustava nejsou opotřebené a poškozené.



Nepoužívejte nůžky na živý plot bez ochranného krytu.



Při držení nůžek na živé ploty vždy používejte obě ruce a udržujte tyto nůžky v bezpečné vzdálenosti od vašeho těla.

Použití nůžek na živý plot

- Z důvodu vaší bezpečnosti a nejlepších výsledků si přečtěte následující pokyny pro uživatele a nepoužívejte výrobek jinak než k jeho určenému účelu.
- Nůžky na živý plot jsou určeny k zastříhování plotů a keřů. Jakékoli jiné použití než popsané v tomto návodu může vést k poškození nůžek na živé ploty nebo zranění obsluhy.

Zapnutí a vypnutí (Obr. A)

- Ke spuštění nůžek stiskněte současně bezpečnostní spínač (7) a spouštěcí spínač (1).
- K vypnutí uvolněte jeden nebo oba spínače.

Nejlepší způsob zastříhování plotu

- Kromě zastříhování plotů se mohou nůžky na živý plot použít také k zastříhování keřů.
- Nejlepších výsledků stříhání se dosáhne při držení čepele pod úhlem zhruba do 15°.
- Protiběžné nože stříhají na obou stranách a je proto možné zastříhovat plot v obou směrech.
- Boky plotu se zastříhují zakřivenými pohyby odspodu směrem vzhůru.
- V ideálním případě by plot měl být dole širší než nahoře. Tím se zlepší pronikání světla, což udržuje plot zdravý. Je-li to možné, zastříhujte obě boční strany plotu.
- Při zastříhování boků plotu zastříhujte odspodu směrem vzhůru. Tím zajistíte, že vám žádné odstřížky plotu nebudou bránit ve

výhledu nebo zasahovat vašich zastříhovacích tahů. Čepel netlačte do příliš hlubokého stříhu. Zastříhujte lehce po povrchu plotu.

- Při zastříhování vrchní strany plotu zastříhujte v dostatečné vzdálenosti od sebe, ale nevyklánějte se. Je moudřejší a bezpečnější zastříhovat ve vašem dosahu a stále stát na obou nohách.

Bezpečná přeprava

Nůžky na živý plot mají ochranný přepravní kryt (8) pro bezpečnou přepravu nářadí.

5. ÚDRŽBA



Před čištěním a prováděním údržby nářadí vždy vypněte a vyjměte baterii z nářadí.

Pravidelně čistěte kryt nářadí měkkým hadříkem, pokud možno po každém použití. Ujistěte se, zda nejsou větrací otvory zaneseny prachem nebo jinými nečistotami. Odolnější nečistoty odstraňte pomocí měkkého hadříku navlhčeného v mýdlové pěně. Nepoužívejte žádná rozpouštědla, jako jsou benzín, líh, čpavek atd. Takové chemické látky mohou způsobit poškození dílů z umělé hmoty.

Nožová lišta

- Při každé manipulaci nebo čištění nožové lišty vždy používejte rukavice.
- Po každém použití nožovou lištu očistěte a nastříkejte na ni ochranný olej. Při dlouhodobém použití vám doporučujeme v pravidelných intervalech provádět mazání nožové lišty ochranným olejem.
- Vizually zkontrolujte stav nožové lišty. Zkontrolujte, zda jsou šrouby pevně usazeny v nožové liště.
- Ujistěte se, zda je ochranný kryt nasazen na nářadí.

Skladování

Tyto nůžky na živé ploty musí být uloženy na bezpečném a suchém místě, mimo dosah dětí. Nepokládejte na toto nářadí žádné předměty.

OCHRANA ŽIVOTNÍHO PROSTŘEDÍ



Poškozená a likvidovaná elektrická nebo elektronická zařízení musí být odevzdána ve sběrných dvorech, které jsou určeny pro tento účel.

Pouze pro země EU

Nevyhazujte elektrická nářadí do běžného domácího odpadu. Podle evropské směrnice 2012/19/EC týkající se likvidace elektrických a elektronických zařízení a její implementace do vnitrostátního práva, musí být nepoužívaná elektrická nářadí shromažďována odděleně a jejich likvidace musí být provedena tak, aby nedošlo k ohrožení životního prostředí.

ZÁRUKA

Výrobky FERM jsou vyrobeny podle norem pro nejvyšší kvalitu a je zaručeno, že se u nich po zákonem stanovenou dobu počínaje datem původního zakoupení nevyskytnou závady z důvodu vady materiálu nebo špatného dílenského zpracování. Objeví-li se u tohoto výrobku během tohoto období jakákoliv závada v důsledku vady materiálu nebo špatného dílenského zpracování, kontaktujte přímo vašeho prodejce FERM.

Platnost této záruky je zrušena v následujících případech:

- Došlo-li k opravám nebo úpravám tohoto výrobku v neautorizovaných servisech.
- Došlo-li k normálnímu opotřebování výrobku.
- Bylo-li s výrobkem špatně, nesprávně nebo nevhodně zacházeno.
- Došlo-li k použití neoriginálních náhradních dílů.

Tak je stanovena výhradní záruka vytvořená společností, ať už vyjádřená nebo předpokládaná. Neexistují žádné jiné záruky, ať už vyjádřené nebo předpokládané, které přesahují rámec zde uvedené záruky, včetně předpokládaných záruk obchodovatelnosti a vhodnosti pro konkrétní účel. V žádném případě nebude společnost FERM odpovídat za jakékoli náhodné nebo následné škody. Opravné prostředky prodejců budou omezeny na opravu nebo výměnu nevyhovujících jednotek nebo dílů.

Na tomto výrobku a v tomto návodu môžu byť prováděny změny. Technické údaje mohou být změněny bez předchozího upozornění.

AKUMULÁTOROVÉ NOŽNICE NA ŽIVÝ PLOT HTM1005

Ďakujeme vám, že ste si zakúpili produkt značky Ferm. Získali ste tým špičkový produkt od jedného z popredných európskych dodávateľov. Všetky produkty, ktoré vám boli dodané spoločnosťou Ferm sa vyrábajú podľa najvyšších štandardov výkonu a bezpečnosti. V rámci našej podnikovej filozofie poskytujeme aj špičkové zákaznícke služby v kombinácii s komplexnou zárukou. Dúfame, že náš produkt vám bude dobre slúžiť ešte mnoho rokov.

1. BEZPEČNOSTNÉ POKYNY



Prečítajte si priložené bezpečnostné varovania, doplnkové bezpečnostné varovania a pokyny. Nedodržiavanie bezpečnostných varovaní a pokynov môže mať za následok zásah elektrickým prúdom, vznik požiaru a/alebo vážnu ujmu na zdraví. **Všetky bezpečnostné varovania a pokyny si odložte na budúce použitie.**

V používateľskej príručke alebo priamo na produkte nájdete nasledujúce symboly:



Prečítajte si používateľskú príručku.



Vypovedá o riziku ujmy na zdraví, usmrtenia a poškodenia náradia v prípade nedodržiavania pokynov v tejto príručke.



Riziko odletujúcich objektov. Zabezpečte, aby sa v pracovnej oblasti nenachádzali okoloidúci.



Nepoužívajte v daždi.



NEBEZPEČENSTVO – Udržujte ruky z dosahu ostria.



Majte nasadené ochranné okuliare. Majte nasadenú ochranu sluchu.



Majte nasadené ochranné rukavice.



Pred čistením a údržbou vždy vypnite zariadenie a zo zariadenia vyberte akumulátor.



Produkt nelikvidujte v nevhodných kontajneroch.



Produkt je v súlade s platnými bezpečnostnými štandardmi obsiahnutými v európskych smerniciach.

VŠEOBECNÉ BEZPEČNOSTNÉ POKYNY PRE ELEKTRICKÉ NÁRADIE



UPOZORNENIE!

Čítajte všetky varovné upozornenia a pokyny. Nedodržania varovných upozornení a pokynov môže spôsobiť úraz elektrickým prúdom, požiaru a vážnemu zraneniu.

Ušetrite všetky varovania a pokyny pre budúce použitie.

Termin elektrické náradie vo všetkých upozorneniach odkazuje na vaše náradie napájané zo siete (s prírodným káblom) alebo náradie napájané batériou-ovládané (bez napájacieho kábla)

1) Bezpečnosť v pracovnom priestore

- Udržujte pracovný priestor v čistote a dobre osvetlené.** Neporiadok alebo neosvetlené pracovné oblasti spôsobuje nehody.
- Nepracujte s elektrickým náradím vo výbušnom prostredí, napríklad v prítomnosti horľavých kvapalín, plynov alebo prachu.** Náradie je zdrojom iskrenia, ktoré môže zapáliť prach alebo výpary.
- Udržujte deti a osoby v bezpečnej vzdialenosti pri práci s elektrickým náradím.** Rozptyľovanie môže spôsobiť stratu kontroly nad náradím

2) Elektrická bezpečnosť

- Zástrčky elektrického náradia musí pasovať so zásuvkou. Nikdy zástrčku neupravujte žiadnym spôsobom.** Nepoužívajte rozvodnej zástrčky s uzemneným (ukostreným) elektrickým náradím. Neupravované zástrčky

a zodpovedajúce zásuvky znižujú riziko vzniku úrazu elektrickým prúdom.

- Vyhnete sa kontaktu tela s uzemnenými povrchmi, ako sú napríklad potrubia, radiátory, sporáky a chladničky.** Existuje zvýšené riziko úrazu elektrickým prúdom, ak Vaše telo je uzemnené alebo ukostrené.
 - Nevystavujte elektrické náradie dažďu alebo vlhkom prostredí.** Vniknutiu vody do elektrického náradia zvyšuje riziko úrazu elektrickým prúdom.
 - Nezneužívajte kábel. Nikdy nepoužívajte kábel na prenášanie náradia, ťahanie alebo odpojovanie elektrického náradia. Chráňte kábel pred teplom, olejom, ostrými hranami alebo pohyblivými časťami.** Poškodené alebo spletené káble zvyšujú riziko úrazu elektrickým prúdom.
 - Pri práci s elektrickým náradím vo vonkajšom prostredí, používajte predĺžovací kábel vhodný na vonkajšie použitie.** Použitie kábel vhodného vo vonkajšom znižuje riziko úrazu elektrickým prúdom.
 - V prípade, že prácu s elektrickým náradím vo vlhkom prostredí je nevyhnutné, použite chránené prúdový chránič dodávky.** Použitie prúdového chrániča znižuje riziko úrazu elektrickým prúdom.
- ### 3) Osobná bezpečnosť
- Buďte pozorní, sledujte čo robíte a používajte zdravý rozum pri práci s náradím.** Nepoužívajte elektrické náradie, ak ste navený alebo pod vplyvom drog, alkoholu alebo liekov. Chvíľu nepozornosti pri práci s elektrickým náradím môže viesť k vážnemu zraneniu.
 - Používajte osobné ochranné prostriedky. Vždy používajte ochranu očí.** Ochranné pomôcky, ako sú prachovou masku, neklzavá bezpečnostná obuv, pevná prilba alebo ochrana sluchu používané v príslušných podmienkach, znižujú riziko osobna poranenia.
 - Zabránilo náhodnému spusteniu. Uistite sa, že spínač je vo vypnutej polohe pred pripojením k zdroju napájania a/alebo batérie, zdvihnutím alebo prenášaním náradia.** Prenášanie elektrického náradia s prstom na vypínači alebo pripojený napájací náradia spôsobuje nehody.
 - Pred zapnutím spínač odstráňte nastavovacie nástroje alebo skrutkovač.**

Francúzsky kľúč alebo kľúč, ktorý ponecháte pripevnený k otáčajúcej časti elektrického náradia môže spôsobiť osobná zranenie.

- e) **Nepreceňujte sa. Udržiavajte stabilný postoj a rovnováhu po celú dobu.** To umožňuje lepšiu ovládateľnosť elektrického náradia v neočakávaných situáciách.
 - f) **Obliekajte správne. Nenoste voľné oblečenie a rukavice mimo dosahu pohyblivých častí.** Voľné odevy, šperky alebo dlhé vlasy môžu byť zachytené v pohyblivých častiach.
 - g) **Pokiaľ je zariadenie vybavené na pripojenie odsávania prachu a zberných zariadení, zaistite jeho správne pripojenie a riadnu funkciu.** Použitie odsávania prachu môže znížiť riziká spojené s prachom.
 - h) **Nedovoľte, aby vám skúsenosti získané z častého používania nástroja dodali seba-vedomie a začali ste ignorovať princípy bezpečnosti nástroja.** *Neopatrná činnosť môže spôsobiť vážne zranenie v rámci zlomku sekundy.*
- 4) Používanie a starostlivosť elektrického náradia**
- a) **Nenuťte elektrické náradie. Používajte správny typ náradia pre vašu aplikáciu.** Správne elektrické náradie budú pracovať lepšie a bezpečnejšie rýchlosťou, pre ktorú bol navrhnutý.
 - b) **Nepoužívajte elektrické náradie, ak spínač nie zapnutý a vypnú elektrické náradie.** Každé elektrické náradie, ktoré nie sú možné ovládať spínačom, sú nebezpečné a musí byť opravené.
 - c) **Pred nastavením, výmenou príslušenstva alebo uskladnením elektrického náradia odpojte zástrčku od zdroja energie a batéria od elektrického náradia.** Tieto preventívne bezpečnostné opatrenia znižujú riziko spustenia náradia náhodne.
 - d) **Uložte elektrické náradie mimo dosahu detí a nedovoľte ostatným osobám, ktoré nie sú oboznámené s elektrickým náradím alebo s týmto návodom, aby používal elektrické náradie.** Elektrické náradie sú nebezpečné v rukách nekvalifikovanej operátora.
 - e) **Údržievajte elektrické náradie. Skontrolujte vychýlenie alebo zaseknutie pohyblivých častí, poškodenie jednotlivých dielov a iné okolnosti, ktoré môžu ovplyvniť prevádzku**

elektrického náradia. V prípade poškodenia, opravte elektrické náradie pred použitím.

Veľa nehôd je spôsobených nedostatočnou údržbou elektrického náradia.

- f) **Udržiavajte rezné nástroje ostré a čisté.** Riadne udržiavané rezné nástroje s ostrými reznými hranami sú menej náchylné viazať sa ovládajúcejšie.
 - g) **Používajte elektrické náradie, príslušenstvo a držiaky nástrojov v súlade s týmito pokynmi, s prihliadnutím na pracovné podmienky a prácu, ktorá bude vykonaná.** Použitie elektrického náradia na iné účely, ako určené účely môže viesť k nebezpečným situáciám.
 - h) **Rukoväte a úchytne povrchy uchovajte suché, čisté a bez olejov a mazadiel.** *Šmyklivé rukoväte a úchytne povrchy neumožňujú v neočakávaných situáciách bezpečnú manipuláciu a kontrolu nad nástrojom.*
- 5) Použitie a starostlivosť nástroje batérie**
- a) **Nabíjajte iba v nabíjačke určenej výrobcom.** Nabíjačka, ktorá je vhodná pre jeden typ akumulátora môže vytvoriť nebezpečenstvo požiaru pri použití s iným akumulátorom.
 - b) **Používajte elektrické náradie iba s výslovnou určenými akumulátormi.** Použitie iných typov akumulátorov môže vytvárať riziko zranenia a požiaru.
 - c) **Keď akumulátory niesú používané, držte ho mimo dosahu kovových predmetov ako sú kancelárske sponky na papier, kľúče, klince, skrutky alebo iné drobné kovové predmety, ktoré môžu nadviazať spojenie z jedného terminálu do druhého.** Skrat medzi kontaktmi akumulátora môže spôsobiť popálenie alebo požiar.
 - d) **V nevhodných podmienkach, kvapalina môže byť vyhodnený z akumulátora; vyhnúť sa kontaktu. Pri náhodnom kontakte opláchnite vodou. V prípade, že kvapalina kontaktuje oči, vyhľadajte lekársku pomoc.** Kvapalina, ktorá je vyhodnený z batérie môže spôsobiť podráždenie pokožky alebo popálenie.
 - e) **Nepoužívajte akumulátorovú batériu alebo nástroj, ktoré sú poškodené alebo upravené.** *Poškodené alebo upravené batérie môžu vykazovať nepredvídateľné správanie, ktoré môže mať za následok požiar, výbuch alebo riziko zranenia.*
 - f) **Akumulátorovú batériu alebo nástroj nevy-**

stavujte ohňu alebo nadmerným teplotám.

Vystavenie ohňu alebo teploty prevyšujúcej 130 °C môže spôsobiť výbuch. POZNÁMKA Teplota „130 °C“ je ekvivalentná teplote „265 °F“.

- g) **Dodržujte všetky pokyny týkajúce sa nabíjania a akumulátorovú batériu alebo nástroj nenabíjajte mimo teplotného rozsahu uvedeného v pokynoch.** Nesprávne nabíjanie alebo nabíjanie pri teplotách mimo špecifikovaného rozsahu môže poškodiť batériu a zvýšiť riziko požiaru.

6) Servis

- a) **Spýtajte kvalifikovaného opravára opravíť elektrické náradie iba pomocou originálnych náhradných dielov.** Tým bude zabezpečené, že zostane zachovaná bezpečnosť elektrického náradia.
- b) **Nikdy nevykonávajte servis poškodených akumulátorových batérií.** Servis akumulátorových batérií by mal vykonávať výlučne výrobca alebo autorizovaný poskytovateľ servisov.

DALŠÍ BEZPEČNOSTNÍ POKYNY PRO NŮZKY NA ŽIVÝ PLOT

- Pracovný priestor udržiavajte čistý a uprataný.
- Nožnice na živý plot vždy poriadne držte. Počas prevádzky používajte obidve ruky.
- Ak používate pomôcky pre prácu nad zemou, uistite sa, že sú stabilné a že sa nemôžu prevrhnúť - nikdy sa nenakláňajte.
- Elektrické náradie nepoužívajte v daždi alebo mokrých prostrediach. Elektrické náradie nepoužívajte na miestach s rizikom požiaru alebo explózie, napr. v blízkosti horľavých kvapalín alebo plynov.
- Zabráňte vstupu detí do pracovného priestoru.
- Nedovoľte deťom alebo iným osobám dotýkať sa elektrického náradia.
- Elektrické náradie nenechávajte bez dozoru.
- Skladujte ho na suchom mieste mimo dosahu detí.
- Vždy používajte ochranné okuliare a rukavice. Odporúčame používať aj ochranu sluchu.
- Používajte správne oblečenie - žiadne voľné doplnky alebo šperky a uistite sa, že sa odev nedostane do kontaktu s pohyblivými časťami.
- Ak máte dlhé vlasy, zviažte ich dozadu, aby sa zabránilo ich zachyteniu pohyblivými časťami.
- Pred použitím ľubovoľného elektrického náradia najprv skontrolujte, či jeho časti nie

sú poškodené. Ak objavíte poškodené časti, zariadenie nepoužívajte dovtedy, kým sa tieto časti nevymenia za nové.

- Elektrické zariadenie nepoužívajte, ak ste unavený(-á) alebo ste požíli alkohol.
- Na zariadenie netlačte - nechajte ho pracovať rýchlosťou, na ktorú bolo navrhnuté.
- Počas práce sa nadmerne nenakláňajte - môžete stratiť rovnováhu.
- Zariadenie nikdy nepoužívajte bez nasadeného krytu čepele. Musí byť vždy namontovaný.
- Používajte iba náhradné diely a príslušenstvo dodávané spoločnosťou Ferm. Používanie príslušenstva, ktoré spoločnosť Ferm nedodáva alebo neodporúča, spôsobí zánik záruky a môže byť nebezpečné.
- Zariadenie používajte iba na jeho určený účel - zastrešovanie živých plotov a kríkov.



Predovšetkým buďte opatrní!



Nebezpečenstvo!

- a) **Uchovajte všetky časti tela z dosahu ostria. Neodstraňujte odrezaný materiál, prípadne nedržte materiál na rezanie pri pohybujúcich sa ostriach.** Po vypnutí spínača sa ostria naďalej pohybujú. Aj krátky okamih nepozornosti pri používaní elektrických nožníc na živý plot môže mať za následok vážnu ujmu na zdraví.
- b) **Elektrické nožnice na živý plot prenášajte za rukoväť pri zastavených ostriach a dávajte pozor, aby ste nespustili žiadny spínač napájania.** Správne prenášanie elektrických nožníc na živý plot zníži riziko neúmyselného spustenia a výsledného fyzického zranenia ostrím.
- c) **Pri preprave alebo skladovaní elektrických nožníc na živý plot vždy nasadte kryt ostria.** Správna manipulácia s elektrickými nožnicami na živý plot zníži riziko fyzického zranenia ostrím.
- d) **Pri odstraňovaní zaseknutého materiálu alebo pri servise jednotky sa uistite, že sú všetky spínače napájania vypnuté a že je odpojený napájací kábel.** Nečakané spustenie elektrických nožníc na živý plot

počas odstraňovania zaseknutého materiálu alebo vykonávania servisu môže spôsobiť vážne fyzické zranenie.

- e) **Elektrické nožnice na živý plot držte výlučne za izolované povrchy na uchopenie, pretože ostrie sa môže dostať do kontaktu so skrytou kabelážou alebo svojím vlastným káblom.** *Ostria v kontakte s káblom pod napätím môžu spôsobiť, že odhalené kovové časti elektrických nožníc na živý plot budú taktiež pod napätím, v dôsledku čoho by mohlo dôjsť k zásahu obsluhy elektrickým prúdom.*
- f) **Uchovajte všetky napájacie káble a káble z dosahom oblasti rezania.** *Napájacie káble alebo káble môžu byť skryté v kríkoch alebo kroví a môžu sa omylom prerezať ostrím.*
- g) **Nepoužívajte elektrické nožnice na živý plot v zlom počasí, najmä ak hrozí nebezpečenstvo blesku.** *Týmto sa zníži riziko zásahu bleskom.*
- h) **Nožnice pravidelne kontrolujte a vykonávajte ich údržbu.** *Nožnice nechávajú opraviť len v autorizovanom servise.*
- i) **Ruky a nohy vždy udržiavajte v dostatočnej vzdialenosti od miesta strihania.**
- j) **Nožnice držte vždy v bezpečnej vzdialenosti od tela.**
- k) **Vždy používajte ochranné okuliare.**
- l) **Vždy používajte rukavice.**
- m) **Nožnice používajte len za denného svetla.**
- n) **Vždy sa uistite, že sa vo vetracích otvoroch nenachádzajú nečistoty.**
- o) **Uistite sa, že sa v okolí 5 metrov od miesta strihania nenachádzajú žiadne osoby ani zvieratá.**

DODATOČNÉ BEZPEČNOSTNÉ POKYNY PRE AKUMULÁTOROVÉ NOŽNICE NA ŽIVÝ PLOT:

- Nožnice na živý plot nenabíjajte v daždi alebo vo vlhkom prostredí.
- Nepoužívajte akumulátorové nožnice na živý plot v daždi.
- Pred údržbou, čistením alebo odstraňovaním materiálu z nožníc na živý plot vyberte alebo odpojte batériu.
- Batériu(-e) nevhadzujte do ohňa. Batéria môže vybuchnúť. Skontrolujte, či miestne predpisy nestanovujú špeciálne pokyny na likvidáciu.

2. INFORMÁCIE O ZARIADENÍ

Cieľové použitie

Tieto nožnice na živý plot sú určené len na rezanie vetiev krovia, kríkov, tvarovateľných rastlín a živých plotov.

TECHNICKÉ ŠPECIFIKÁCIE

Č. modelu	HTM1005
Menovité napätie	20V
Otáčky bez záťaže	1.200/min.
Dĺžka strihu	450mm
Šírka strihu	14mm
Hmotnosť	1,98 kg
Hladina zvukového tlaku LPA	81,3 dB (A), KpA=3 dB (A)
Hladina zvukového tlaku LWA	92,9 dB (A), KwA=3 dB (A)
Úroveň vibrácií:	
Predná rukoväť Ah	2.459 m/s ² , K=1.5 m/s ²
Zadná časť rukoväte Ah	1.754 m/s ² , K=1.5 m/s ²

Používajte len nasledujúce batérie z priemyselnej platformy batérií FX-POWER 20V. Používanie akýchkoľvek iných batérií môže spôsobiť vážne zranenie alebo poškodenie nástroja.

CDA1167	20V, 2Ah lítium-iónová
CDA1168	20V, 4Ah lítium-iónová

Na nabíjanie týchto batérií sa môže použiť nasledujúca nabíjačka.

CDA1169	Nabíjací adaptér
CDA1170	Rýchlonabíjačka

Batérie priemyselnej platformy batérií FX-POWER 20V sú vzájomne zameniteľné so všetkými nástrojmi priemyselnej platformy batérií FERM FX-POWER.

Hladina vibrácií

Hladina vibračných emisií uvádzaná v tejto používateľskej príručke bola nameraná podľa štandardizovaného testu definovaného v štandarde EN 62841; môže sa použiť na porovnanie jedného náradia s druhým a ako predbežné hodnotenie vibrácií pri používaní náradia na uvádzané účely:

- Používanie náradia na rôzne účely alebo s rôznym či nevhodne udržiavaným príslušenstvom môže výrazne zvýšiť hladinu expozície.
- Obdobia, keď je náradie vypnuté alebo sa

prevádzkuje na voľnobeh (bez pracovného úkonu), môžu výrazne znížiť hladinu expozície.

Pred účinkami vibrácií sa chráňte údržbou náradia a príslušenstva, udržiavaním rúk v teple a vhodnou organizáciou pracovných postupov.

POPIS

Čísla uvedené v texte sa odvolávajú na diagramy na stranách 2 - 3.

1. Spínač Zap./vyp.
2. Batéria (nie je súčasťou balenia)
3. Tlačidlo uvoľnenia batérie
4. Strihacia čepeľ
5. Ochranný kryt
6. Predná rukoväť
7. Bezpečnostný spínač
8. Prepravný kryt

3. MONTÁŽ



Pred akoukoľvek prácou na náradí vyberte batériu.



Batéria sa pred prvým použitím musí nabiť.

Montáž prednej rukoväte (obr. B)

1. Prednú rukoväť (6) nasadíte na zariadenie tak, ako je vyobrazené na obrázku B.
2. Prednú rukoväť (6) namontujete utiahnutím skrutky.

Montáž ochranného krytu (obr. C)



Nožnice na živý plot nepoužívajte bez ochranného krytu.

1. Ochranný kryt (5) nasadíte na zariadenie tak, ako je vyobrazené na obrázku C.
2. Ochranný kryt (5) namontujete utiahnutím skrutky.

Vloženie batérie do zariadenia (Obr. A, D)



Pred pripojením k nabíjačke alebo vložení do zariadenia skontrolujte, či je exteriér batérie čistý a suchý.

1. Batériu (2) vložte do základne zariadenia podľa znázornenia na obr. D.
2. Batériu tlačte ďalej dopredu, kým nezapadne na miesto.

Vybratie batérie zo zariadenia (Obr. A, D)

1. Stlačte tlačidlo odomknutia batérie (3).
2. Vytiahnite batériu zo zariadenia podľa znázornenia na obr. D.

4. PREVÁDZKA



Pred použitím vždy vizuálne skontrolujte, že čepele, skrutky čepeľí a strihacia sústava nie sú opotrebované alebo poškodené.



Nepoužívajte nožnice na živý plot bez bezpečnostného ochranného krytu.



Nožnice na živý plot vždy držte obidvomi rukami a udržiujte ich z dosahu svojho vlastného tela.

Používanie nožníc na živý plot

- Z dôvodu zaistenia vašej bezpečnosti a najlepších výsledkov si prečítajte nasledujúce používateľské pokyny a nepoužívajte produkt inak ako určeným spôsobom.
- Nožnice na živý plot sú určené na strihanie živých plotov a kríkov. Akékoľvek použitie, ktoré nie je uvedené v tomto návode, môže spôsobiť poškodenie nožníc na živý plot alebo zranenie používateľa.

Zapnutie a vypnutie (Obr. A)

- Ak chcete zapnúť nožnice, súčasne stlačte bezpečnostný spínač (7) a spúšťači spínač (1).
- Ak chcete nožnice vypnúť, uvoľníte jeden alebo obidva spínače.

Najlepšia metóda strihania živého plotu

- Nožnice na živý plot sa okrem strihania plotov môžu použiť aj na strihanie kríkov.
- Najlepší výsledok strihania dosiahnete, ak budete držať čepeľ pod uhlom približne 15°.
- Nože rotujúce opačným smerom strihajú na oboch stranách. Z tohto dôvodu je možné strihať živý plot v oboch smeroch.
- Boky živého plotu sa strihajú zakrivenými

pohybmi zospodu smerom nahor.

- V ideálnom prípade by živý plot mal byť v dolnej časti širší ako v hornej. Tým sa zlepši prenikanie svetla, čo udržuje živý plot zdravý. Ak je to možné, strihajte obe strany živého plotu.
- Ak zastrihávate boky plotu, strihajte zospodu smerom nahor. Tým sa zabezpečí, že vám žiadne odstrihnuté časti plotu nebudú prekážať ani zasahovať do vašich zastrihávacích ťahov. Čepeľ netlačte do príliš hlbokého strihu. Strihajte ľahko po povrchu živého plotu.
- Ak striháte hornú časť plotu, strihajte smerom od seba, ale nevykláňajte sa. Je oveľa rozumnejšie a bezpečnejšie zastrihovať v rámci dosahu a vždy stáť na oboch nohách.

Bezpečná preprava

Nožnice na živý plot majú ochranný obal na čepeľ (8) na bezpečnú prepravu zariadenia.

5. ÚDRŽBA



Pred čistením a údržbou vždy vypnite zariadenie a zo zariadenia vyberte akumulátor.

Puzdro zariadenia vyčistite jemnou tkaninou, podľa možnosti po každom použití. Uistite sa, že vetracie otvory neobsahujú prach a nečistoty. Odolné nečistoty odstráňte jemnou tkaninou navlhčenou v mydlovej vode. Nepoužívajte rozpúšťadlá ako benzín, alkohol, amoniak a pod. Takéto chemické látky poškodia syntetické komponenty.

Strihacia čepeľ

- Pri manipulácii so strihacou čepeľou alebo jej čistení vždy noste rukavice.
- Strihaciu čepeľ po každom použití vyčistite a nastriekajte ju ochranným olejom. Počas dlhého pracovného času odporúčame, aby ste strihaciu čepeľ namazali ochranným olejom v pravidelných intervaloch.
- Vizuálne skontrolujte stav strihacej čepele. Skontrolujte, či sú v strihacej lište pevne utiahnuté skrutky.
- Zaistite, aby bol na zariadení osadený ochranný kryt čepele.

Uskladnenie

Nožnice na živý plot by sa mali uchovávať na bezpečnom a suchom mieste, ktoré je mimo dosahu detí. Na hornú časť zariadenia nedávajte iné predmety.

ZIVOTNÉ PROSTREDIE



Chybné alebo vyradené elektrické či elektronické zariadenia musia byť zberané v príslušných recyklačných zberniciach.

Len pre krajiny ES

Elektrické náradie nelikvidujte ako súčasť komunálneho odpadu. Podľa Európskej smernice 2012/19/ES o vyradených elektrických a elektronických zariadeniach a jej implementácie do národného práva sa elektrické náradie, ktoré je viac nepoužiteľné, musí zberať ako separovaný odpad a likvidovať ekologickým spôsobom.

ZÁRUKA

Produkty značky FERM sa vyvíjajú podľa najvyšších noriem kvality a zaručuje sa, že neobsahujú chyby materiálu a vyhotovenia, a to počas obdobia určeného zákonom, ktoré začína dňom originálneho zakúpenia. Ak by sa počas tohto obdobia u produktu vyskytlo akékoľvek zlyhanie, a to z dôvodu chybného materiálu a/alebo vyhotovenia, potom priamo kontaktujte predajcu produktov značky FERM.

Nasledujúce okolnosti sú z tejto záruky vylúčené:

- Vykonalí sa opravy alebo pozmenenia, prípadne sa zaznamenal pokus o opravu alebo pozmenenie zariadenia zo strany neautorizovaných servisných stredísk.
- Normálne opotrebovanie.
- Nástroj sa zneužíval, nesprávne používal alebo sa vykonávala nevhodná údržba.
- Použili sa neoriginálne náhradné diely.

Táto záruka predstavuje výlučnú vyslovenú alebo skrytú záruku uskutočnenú zo strany spoločnosti. Neexistujú žiadne iné vyslovené alebo skryté záruky, ktoré by dopĺňali túto záruku, a to vrátane skrytých záruk obchodovateľnosti a vhodnosti

na príslušný účel. Za žiadnych okolností nebude spoločnosť FERM zodpovedná za akékoľvek náhodné alebo následné škody. Opravné prostriedky predajcov budú obmedzené na opravu alebo výmenu nevyhovujúcich zariadení alebo dielov.

Produkt a používateľská príručka podliehajú zmenám. Špecifikácie sa môžu zmeniť bez predchádzajúceho upozornenia.

TOSASIEPI HTM1005

Grazie per aver acquistato questo prodotto Ferm. Con questo acquisto lei è entrato in possesso di un prodotto di qualità eccellente, distribuito da uno dei principali fornitori in Europa. Tutti i prodotti distribuiti da Ferm sono realizzati in conformità con i più rigidi standard in materia di sicurezza e prestazioni. È nostra filosofia offrire al cliente un servizio di assistenza di eccellente livello, supportato da una garanzia completa. Ci auguriamo che apprezzerà l'uso di questo prodotto per molti anni a venire.

1. ISTRUZIONI DI SICUREZZA



Leggere accuratamente gli avvisi di sicurezza, gli avvisi di sicurezza aggiuntivi e le istruzioni. La mancata osservanza degli avvisi di sicurezza e delle istruzioni potrebbe causare scosse elettriche, incendio e/o gravi lesioni.
Mantenere gli avvisi di sicurezza e le istruzioni a portata di mano per future consultazioni.

I seguenti simboli sono utilizzati nel presente manuale utente o sul prodotto:



Leggere il manuale per l'utente.



Denota il rischio di lesioni personali, morte o danni all'utensile in caso di mancata osservanza delle istruzioni contenute nel presente manuale.



Rischio di oggetti volanti. Tenere lontano chiunque si trovi nelle vicinanze dall'area di lavoro.



Non esporre alla pioggia.



PERICOLO - Tenere le mani lontano dalla lama.



Indossare occhiali di protezione.
Indossare protezioni per l'udito.



Indossare guanti di protezione.



Prima di eseguire qualsiasi operazione di pulizia e intervento di manutenzione spegnere sempre l'elettrotensile e rimuovere la batteria dall'elettrotensile.



Non smaltire il prodotto in contenitori non idonei.



Il prodotto è conforme agli standard pertinenti in materia di sicurezza previsti dalla legislazione Europea.

REGOLE GENERALI DI SICUREZZA



ATTENZIONE! Leggere tutte le avvertenze di sicurezza e tutte le istruzioni. Se non si seguono tutte le istruzioni sotto elencate, si può incorrere in uno shock elettrico, in un incendio e/o in lesioni serie.

Conservare queste istruzioni.

Il termine "arnese elettrico" in tutti gli avvertimenti sotto elencati si riferisce al vostro arnese elettrico che funziona a corrente (con filo) o ad un arnese che funziona a pile (senza filo).

1) Area di lavoro

- a) **Mantenere l'area di lavoro pulita e ben illuminata.** Aree buie e disordinate favoriscono gli incidenti.
- b) **Non usare arnesi elettrici in atmosfere esplosive, come vicino ai liquidi infiammabili, gas o polveri.** Gli arnesi elettrici creano scintille che possono incendiare la polvere dei vapori.
- c) **Tenere lontani bambini e altre persone mentre si accende l'arnese elettrico.** Le distrazioni possono farvi perdere il controllo.

2) Sicurezza elettrica

- a) **Le spine dell'arnese elettrico devono andare bene per la presa di corrente. Non modificare mai la spina in alcun modo. Non usare alcun adattatore con arnesi elettrici a terra (messo a terra).** Spine non modificate che vanno bene per le prese di corrente ridurranno il rischio di shock elettrico.

- b) **Evitare il contatto corporeo con superfici a terra come tubature, radiatori, fornelli e refrigeratori.** C'è un rischio maggiore di shock elettrico se il vostro corpo è a terra.
- c) **Non esporre arnesi elettrici alla pioggia o a condizioni di umidità.** Se dell'acqua penetra nell'arnese elettrico aumenterà il rischio di shock elettrico.
- d) **Non abusare del filo. Non usare mai il filo per trasportare, spingere o staccare dalla presa l'arnese elettrico. Tenere il filo lontano da calore, olio, bordi taglienti o parti mobili.** Fili danneggiati o aggrovigliati aumentano il rischio di shock elettrico.
- e) **Quando si accende un arnese elettrico all'aperto, usare una prolunga adatta a tale uso.** Usare un filo adatto all'uso all'aperto ridurrà il rischio di shock elettrico.
- f) **Se non è possibile evitare l'uso di un elettrotensile in ambiente umido, usare una rete di alimentazione protetta da un interruttore differenziale (salvavita).** L'uso di un salvavita riduce il rischio di scosse elettriche.

3) Sicurezza personale

- a) **Stare vigili e attento quando si accende un arnese elettrico. Non usare un arnese elettrico mentre si è stanco o sotto l'effetto di droghe, alcool o medicinali.** Un momento di disattenzione mentre si accendono arnesi elettrici può causare delle gravi lesioni personali.
- b) **Usare dispositivi di protezione individuale. Indossare sempre una protezione per gli occhi.** Dispositivi di sicurezza come mascherina per la polvere, scarpe di sicurezza antiscivolo, casco, o protezioni per le orecchie usate nelle appropriate condizioni, ridurranno le lesioni personali.
- c) **Prevenire l'avvio accidentale. Assicurarsi che l'interruttore sia spento prima di collegarsi.** Trasportare elettrotensili tenendo il dito sull'interruttore di accensione o dare corrente ad elettrotensili con l'interruttore acceso può dare luogo a incidenti.
- d) **Rimuovere ogni chiave regolatrice o chiave per dadi prima di accendere l'arnese elettrico.** Una chiave per dadi o una chiave lasciata attaccata ad una parte rotante dell'arnese elettrico può provocare lesioni personali.

- e) **Cercare di mantenere l'equilibrio. Mantenere sempre un punto d'appoggio appropriato.** Questo consente un controllo migliore dell'arnese elettrico in situazioni inaspettate.
- f) **Vestirsi adeguatamente. Non indossare vestiti larghi o gioielli. Tenere lontano capelli, vestiti e guanti dalle parti mobili.** Vestiti larghi, gioielli o capelli lunghi possono essere presi nelle parti mobili.
- g) **Se vengono forniti dispositivi per la connessione dell'estrazione della polvere e attrezzature di raccolta, assicurarsi che questi siano collegati e usati correttamente.** L'uso di questi dispositivi può ridurre i rischi correlati alla polvere.
- h) **Non lasciare che la confidenza acquisita dall'uso frequente induca l'utilizzatore ad assumere comportamenti imprudenti e a ignorare i principi di sicurezza per l'utensile.** Una semplice distrazione può provocare gravi lesioni personali in una frazione di secondo.
- 4) Uso e manutenzione dell'arnese elettrico**
- a) **Non forzare l'arnese elettrico. Usare l'arnese elettrico corretto per il vostro impiego.** L'arnese elettrico corretto farà il lavoro meglio e in maniera più sicura alla velocità per la quale è stato progettato.
- b) **Non usare l'arnese elettrico se l'interruttore non si accende o non si spegne.** Ogni arnese elettrico che non può essere controllato con l'interruttore è pericoloso e deve essere riparato.
- c) **Scollegare la spina dalla sorgente di elettricità prima di fare qualsiasi regolazione, cambiare gli accessori, o conservare arnesi elettrici.** Tali misure di sicurezza preventive riducono il rischio di accendere l'arnese elettrico accidentalmente.
- d) **Conservare gli arnesi elettrici inattivi fuori dalla portata dei bambini e non permettere a persone che non hanno confidenza con l'arnese elettrico o con queste istruzioni di usare l'arnese elettrico.** Gli arnesi elettrici sono pericolosi per utenti inesperti.
- e) **Mantenere gli arnesi elettrici. Controllare il non allineamento o l'attacco di parti mobili, la rottura di parti ed ogni altra condizione che può influire sul funzionamento degli arnesi elettrici. Se è danneggiato, far riparare l'arnese elettrico prima dell'uso.** Molti incidenti sono causati da arnesi elettrici mantenuti male.
- f) **Mantenere gli arnesi da taglio affilati e puliti.** È meno probabile che si attacchino degli arnesi da taglio mantenuti correttamente con tagli affilate e questi sono anche più facili da controllare.
- g) **Usare l'arnese elettrico, gli accessori e le parti dell'arnese ecc, secondo queste istruzioni e nel modo pensato per il particolare tipo di arnese elettrico, tenendo conto delle condizioni di lavoro e del lavoro da svolgere.** L'uso dell'arnese elettrico per operazioni diverse da quelle pensate potrebbe causare situazioni pericolose.
- h) **Mantenere le impugnature e le superfici di presa asciutte, pulite e libere da olio e grasso.** Impugnature e superfici di presa scivolose non consentono di maneggiare e controllare in sicurezza l'utensile in situazioni impreviste.
- 5) Uso e manutenzione dell'utensile a batteria**
- a) **Ricaricare l'apparecchio esclusivamente con il caricabatterie specificato dal fabbricante.** Se si utilizza un caricabatterie di diverso tipo potrebbero verificarsi incendi.
- b) **Utilizzare gli utensili elettrici solo con i pacchi batterie appositamente prescritti.** L'uso di pacchi batterie di diverso tipo aumenta il rischio di infortunio o incendio.
- c) **Quando il pacco batterie non è in uso, tenerlo lontano da oggetti metallici quali fermagli, monete, chiavi, chiodi, viti o altri piccoli oggetti metallici che potrebbero mettere in collegamento i due poli.** Se i poli vengono messi in corto circuito, la batteria potrebbe emettere scintille o fiammate.
- d) **In condizioni di uso scorretto, la batteria potrebbe emettere liquido: evitare pertanto di entrarvi in contatto. In caso di contatto accidentale, risciacquare con acqua. Se il liquido entra a contatto con gli occhi, consultare immediatamente un medico.** Il liquido emesso dalla batteria può causare irritazioni o ustioni.
- e) **Non utilizzare un pacco batterie o l'utensile se danneggiati o manomessi.** Pacchi batterie danneggiati o manomessi potrebbero avere comportamenti imprevisti con il rischio di incendiarsi, esplodere o provocare lesioni a persone.
- f) **Non esporre un pacco batterie o l'utensile alle fiamme o a temperature eccessivamente elevate.** L'esposizione alle fiamme o a

temperature superiori a 130 °C potrebbe provocare un'esplosione. NOTA: la temperatura di "130 °C" corrisponde a "265 °F".

- g) **Seguire tutte le istruzioni per la ricarica e non caricare il pacco batterie o l'utensile a temperature che non rientrino nell'intervallo specificato nelle istruzioni.** Se si effettua la ricarica in modo improprio o a temperature non comprese nell'intervallo specificato, il pacco batterie potrebbe subire danni e potrebbe aumentare il rischio di incendi.

6) Riparazione

- a) **L'assistenza per l'elettrotensile deve essere prestata da un tecnico qualificato che utilizzi soltanto ricambi originali.** In questo modo viene garantita la sicurezza dell'elettrotensile.
- b) **Non tentare di riparare pacchi batterie danneggiati.** La riparazione dei pacchi batteria deve essere effettuata esclusivamente dal produttore o presso centri di assistenza autorizzati.

AVVERTENZE DI SICUREZZA AGGIUNTIVE PER IL TAGLIASIEPI

- Mantenere l'area di lavoro pulita e ordinata.
- Reggere sempre il tagliasiepi in modo adeguato. Utilizzare entrambe le mani durante il funzionamento.
- Se viene utilizzato uno strumento di assistenza per sollevarsi da terra, assicurarsi che sia stabile e non possa rovesciarsi - non sporgersi in nessun caso.
- Non utilizzare gli elettrotensili in ambienti piovosi o bagnati. Non utilizzare gli elettrotensili in caso di rischio di incendio o esplosione - vale a dire in prossimità di liquidi o gas infiammabili.
- Non consentire ai bambini di accedere all'area in cui si lavora.
- Non consentire ai bambini o ad altre persone di toccare gli elettrotensili.
- Non lasciare incustodito l'elettrotensile.
- Conservarlo in un luogo asciutto e accesso impossibile da parte dei bambini.
- Utilizzare sempre occhiali e guanti di protezione. Si raccomanda inoltre l'utilizzo di dispositivi otoprotettivi.
- Indossare indumenti aderenti - non svolazzanti o gioielli e assicurarsi che i capi di

abbigliamento non entrino in contatto con le parti in movimento.

- Se si portano i capelli lunghi, legarli dietro in modo sicuro per evitare che restino impigliati nelle parti in movimento.
- Prima di utilizzare qualsiasi elettrotensile, verificare prima la presenza di parti danneggiate e, se presenti, non utilizzare prima che la parte o le parti siano state sostituite con quelle nuove.
- Non utilizzare gli elettrotensili quando si è stanchi o sotto l'effetto dell'alcool.
- Non sforzare l'apparecchio - farlo funzionare alla velocità prevista per esso.
- Non sporgersi durante il lavoro - è possibile perdere l'equilibrio.
- Non utilizzare mai questo apparecchio senza la protezione lama montata. Essa deve rimanere sempre collegata.
- Utilizzare solo parti di ricambio e accessori forniti da FERM. L'utilizzo di accessori diversi da quelli forniti o raccomandati da FERM annulla la vostra garanzia e potrebbe rappresentare un pericolo.
- Utilizzare questo apparecchio solo per il suo uso previsto per il taglio di siepi e cespugli.



Innanzitutto, fare attenzione!



Pericolo!

- a) **Tenere tutte le parti del corpo lontano dalla lama. Non rimuovere il materiale di taglio o tenere il materiale da tagliare quando le lame si trovano in movimento.** *Le lame continuano a muoversi dopo che l'interruttore è stato spento. Un attimo di disattenzione durante il funzionamento del tagliasiepi potrebbe causare gravi lesioni alle persone.*
- b) **Trasportare il tagliasiepi per l'impugnatura con la lama ferma e facendo attenzione a non azionare alcun interruttore di alimentazione.** *Il trasporto adeguato del tagliasiepi riduce il rischio di avviamento accidentale e conseguenti lesioni personali dovute alle lame.*
- c) **Mantenere sempre applicato il coprilama durante il trasporto o la conservazione del**

tagliasiepi. Il corretto utilizzo del tagliaiepi riduce il rischio di lesioni personali dovute alle lame.

- d) **Quando si rimuove materiale inceppato o si effettua la manutenzione dell'unità, assicurarsi che tutti gli interruttori di alimentazione siano spenti e il cavo di alimentazione sia scollegato.** L'azionamento imprevisto del tagliaiepi durante la rimozione del materiale inceppato o la manutenzione può provocare gravi lesioni personali.
- e) **Tenere il tagliaiepi esclusivamente dalle superfici di presa isolate, poiché la lama di taglio potrebbe entrare in contatto con fili elettrici nascosti o con il proprio cavo.** Le lame che vengono a contatto con un cavo sotto tensione trasmettono la corrente elettrica anche alle parti metalliche esposte dell'elettrotensile con il pericolo di provocare la folgorazione dell'operatore.
- f) **Tenere tutti i cavi di alimentazione e i fili lontano dall'area di taglio.** I cavi di alimentazione o i fili possono essere nascosti in siepi o cespugli e possono essere tagliati accidentalmente dalla lama.
- g) **Evitare di utilizzare il tagliaiepi in caso di maltempo, soprattutto quando vi è il rischio di fulmini.** Questo diminuisce il rischio di folgorazione.
- h) **Ispezionare e sottoporre il tagliaiepi a manutenzione regolarmente.** Far riparare il tagliaiepi solo in un'officina autorizzata.
- i) **Tenere sempre le mani e i piedi lontano dall'area di taglio.**
- j) **Reggere sempre il tagliaiepi a una distanza di sicurezza dal corpo.**
- k) **Indossare sempre occhiali di protezione.**
- l) **Indossare sempre i guanti di protezione.**
- m) **Utilizzare il tagliaiepi solo alla luce del giorno.**
- n) **Assicurarsi che le aperture di ventilazione siano sempre prive di detriti.**
- o) **Assicurarsi che non ci siano persone o animali entro 5 metri dalla propria area di taglio delle siepi.**

AVVERTENZE DI SICUREZZA AGGIUNTIVE PER IL TAGLIASIEPI SENZA FILI

- Non caricare il tagliaiepi sotto la pioggia o in postazioni umide.

- Non utilizzare il tagliaiepi con funzionamento a batteria sotto la pioggia.
- Rimuovere o disconnettere la batteria prima della manutenzione, della pulizia o della rimozione del materiale dal tagliaiepi.
- Non smaltire la/le batteria/e in un fuoco. La cella potrebbe esplodere. Verificare conformemente a tutti i regolamenti locali per la presenza di possibili istruzioni di smaltimento particolari.

2. INFORMAZIONI RELATIVE ALL'ELETTROTENSILE

Uso previsto

Questo tagliaiepi è inteso solo per il taglio di rami da arbusti, cespugli, piante ornamentali e siepi.

DATI TECNICI

Modello n.o	HTM1005	
Tensione nominale	20V 	
Velocità a vuoto	1.200/min.	
Lunghezza di taglio	450mm	
Larghezza di taglio	14mm	
Peso	1.98 kg	
Livello di pressione sonora LpA	81.3 db (A),	KpA=3 dB (A)
Livello di potenza sonora LwA	92.9 db (A),	KwA=3 dB (A)
Valore vibrazioni:		
Impugnatura anteriore Ah	2.459 m/s ² ,	K=1.5 m/s ²
Impugnatura posteriore Ah	1.754 m/s ² ,	K=1.5 m/s ²

Utilizzare esclusivamente le batterie seguenti della piattaforma di batterie da 20 V FX-POWER. L'uso di batterie diverse potrebbe causare gravi lesioni personali o danni all'elettrotensile.

CDA1167	Batteria agli ioni di litio da 20V, 2Ah,
CDA1168	Batteria agli ioni di litio da 20V, 4Ah,

Il caricabatterie seguente può essere usato per caricare queste batterie.

CDA1169	Adattatore caricabatterie
CDA1170	Caricabatterie rapido

Le batterie della piattaforma di batterie da 20 V FX-POWER sono intercambiabili con tutti gli elettrotensili con batterie della piattaforma da FERM FX-POWER.

Livello delle vibrazioni

Il livello di emissione delle vibrazioni indicato sul retro di questo manuale di istruzioni è stato misurato in conformità a un test standardizzato stabilito dalla norma EN 62841; questo valore può essere utilizzato per mettere a confronto un l'utensile con un altro o come valutazione preliminare di esposizione alla vibrazione quando si impiega l'utensile per le applicazioni menzionate.

- se si utilizza l'utensile per applicazioni diverse, oppure con accessori differenti o in scarse condizioni, il livello di esposizione potrebbe aumentare notevolmente.
- i momenti in cui l'utensile è spento oppure è in funzione ma non viene effettivamente utilizzato per il lavoro, possono contribuire a ridurre il livello di esposizione.

Proteggersi dagli effetti della vibrazione effettuando la manutenzione dell'utensile e dei relativi accessori, mantenendo le mani calde e organizzando i metodi di lavoro.

DESCRIZIONE

I numeri che compaiono nel testo si riferiscono agli schemi riportati alle pagine 2-3.

1. Interruttore On/Off
2. Batteria (non incluso)
3. Pulsante di sblocco batteria
4. Lama di taglio
5. Protection guard
6. Maniglia anteriore
7. Interruttore di sicurezza
8. Protezione di trasporto

3. MONTAGGIO



Prima di compiere qualsiasi intervento sull'elettro utensile rimuovere la batteria.



Prima del primo utilizzo la batteria deve essere caricata.

Montaggio dell'impugnatura anteriore (fig. B)

1. Collocare la maniglia anteriore (6) sulla macchina come da fig. B.
2. Montare la maniglia anteriore (6) serrando la vite.

Montaggio del dispositivo di protezione (fig. C)



Sarebbe meglio non utilizzare il taglia siepi senza il dispositivo di protezione montato

1. Collocare il dispositivo di protezione (5) sulla macchina come da fig. C.
2. Montare il dispositivo di protezione (5) serrando la vite.

Inserimento della batteria nella macchina (Fig. A, D)



Assicurarsi che la batteria sia pulita esternamente prima di collegarla al caricabatterie o alla macchina.

1. Inserire la batteria (2) nella base dell'elettro utensile, come illustrato nella Fig. D.
2. Spingere in avanti la batteria finché scatta in posizione con un clic.

Rimozione della batteria dalla macchina (Fig. A, D)

1. Premere il pulsante di sblocco batteria (3)
2. Estrarre la batteria dalla macchina, come illustrato nella Fig. D.

4. MESSA IN SERVIZIO



Prima dell'utilizzo, sottoporre l'apparecchio sempre a un controllo visivo per accertare che le lame, i bulloni delle lame e il gruppo di taglio non siano usurati o danneggiati.



Sarebbe meglio non utilizzare il taglia siepi senza il dispositivo di protezione montato



Utilizzare sempre entrambe le mani per reggere il taglia siepi e mantenerlo lontano dal proprio corpo.

Utilizzo del proprio taglia siepi

- Per salvaguardare la propria sicurezza e per ottenere i migliori risultati, leggere la seguente avvertenza di utilizzo e non utilizzare questo prodotto per alcuno scopo al di fuori dell'uso prescritto.
- Questo taglia siepi è costruito per il taglio

di siepi e cespugli. Tutti gli altri utilizzi non specificatamente consentiti in questo manuale possono causare lesioni all'utente del taglia siepi.

Accensione e spegnimento (Fig. A)

- Per mettere in funzione il taglia siepi, premere l'interruttore di sicurezza (7) e contemporaneamente l'interruttore di avvio (1).
- Per spegnerlo, rilasciare uno o entrambi gli interruttori.

Accensione e spegnimento (Fig. A)

- Per mettere in funzione il taglia siepi, premere l'interruttore di sicurezza (7) e contemporaneamente l'interruttore di avvio (1).
- Per spegnerlo, rilasciare uno o entrambi gli interruttori.

Trasporto di sicurezza

Il taglia siepi dispone sempre di una protezione di trasporto. Coprire (8) per salvaguardare il trasporto della macchina.

5. MANUTENZIONE



Prima di eseguire qualsiasi operazione di pulizia e intervento di manutenzione spegnere sempre l'elettrotensile e rimuovere la batteria dall'elettrotensile.

Pulire regolarmente il corpo della batteria con un panno morbido, preferibilmente dopo ogni uso. Assicurarsi che le prese d'aria siano libere da polvere e sporcizia. Rimuovere lo sporco particolarmente ostinato con un panno morbido inumidito con acqua e sapone. Non utilizzare solventi come benzina, alcol, ammoniaca, ecc. Le sostanze chimiche di questo tipo danneggiano i componenti sintetici.

Lama di taglio

- Indossare sempre i guanti di protezione quando la lama di taglio viene maneggiata e pulita.
- Pulire la lama di taglio e spruzzarci sopra dell'olio protettivo dopo ciascun utilizzo. Si raccomanda di lubrificare la lama di taglio con dell'olio protettivo ad intervalli regolari durante i periodi prolungati di lavoro.
- Sottoporre a un esame visivo lo stato della lama di taglio. Verificare che le viti siano nella

propria sede in modo fissa nella barra del tagliaiepi.

- Assicurarsi che la protezione della lama sia inserita sulla macchina.

Conservazione

Il taglia siepi dovrebbe essere situata in un posto sicuro e asciutto fuori dalla portata dei bambini. Non posizionare altri oggetti sulla parte superiore di esso.

RISPETTO AMBIENTALE



Le apparecchiature elettriche o elettroniche difettose e/o scartate devono essere raccolte presso gli opportuni siti di riciclaggio.

Solo per i Paesi CE

Non smaltire gli elettrotensili insieme ai rifiuti domestici. Secondo la Direttiva europea 2012/19/EC sui rifiuti delle apparecchiature elettriche ed elettroniche e relativa implementazione nelle normative locali, gli elettrotensili ormai inutilizzabili devono essere raccolti separatamente e smaltiti in modo ecologico.

DEFINIZIONI DELLA GARANZIA

I prodotti FERM sono sviluppati secondo i più elevati standard di qualità e viene garantita l'assenza di difetti nei materiali e nella manodopera per il periodo contrattuale a partire dalla data di acquisto originale. Qualora il prodotto dovesse subire un guasto qualsiasi durante questo periodo a causa di difetti nei materiali e/o nella manodopera, si prega di contattare direttamente il FERM.

Le seguenti circostanze sono escluse da questa garanzia:

- Riparazioni e/o modifiche alla macchina sono state eseguite o tentate da centri di assistenza non autorizzati.
- Normale usura.
- L'utensile è stato abusato, utilizzato o mantenuto in modo improprio.
- Sono state utilizzate parti di ricambio non originali

Ciò costituisce l'unica garanzia espressa o implicita fornita dall'azienda. Non esistono altre garanzie espresse o implicite che si estendono oltre il presente documento, ivi comprese le garanzie implicite di commerciabilità e idoneità per uno scopo particolare. In nessun caso FERM sarà responsabile di eventuali danni incidentali o consequenziali. I rimedi dei rivenditori saranno limitati alla riparazione o sostituzione di unità o parti non conformi.

Il prodotto e il manuale per l'utente sono soggetti a modifiche. I dati tecnici possono essere modificati senza ulteriore notifica.

CORTASETOS HTM1005

Gracias por comprar este producto Ferm. Al hacerlo ha adquirido un excelente producto, suministrado por uno de los proveedores líderes en Europa. Todos los productos suministrados por Ferm se fabrican de conformidad con las normas más elevadas de rendimiento y seguridad. Como parte de nuestra filosofía también proporcionamos un excelente servicio de atención al cliente, respaldado por nuestra completa garantía. Esperamos que disfrute utilizando este producto durante muchos años.

1. INSTRUCCIONES DE SEGURIDAD



Lea las advertencias de seguridad, las advertencias de seguridad adicionales y las instrucciones adjuntas. De no respetarse las advertencias de seguridad y las instrucciones, podrían producirse descargas eléctricas, incendios y/o lesiones graves. Conserve las advertencias de seguridad y las instrucciones para su posterior consulta.

Los siguientes símbolos se utilizan en el manual de usuario o en el producto:



Lea el manual de usuario.



Denota riesgo de lesiones personales, pérdida de vida o daños a la herramienta en caso de incumplimiento de las instrucciones del presente manual.



Mantenga a los presentes a una distancia prudencial de la zona de trabajo.



No exponer a la lluvia.



PELIGRO - *Mantenga las manos alejadas de la cuchilla.*



Lleve gafas de seguridad.
Lleve protección auditiva.



Use guantes de seguridad.



Antes de realizar la limpieza y el mantenimiento, apague siempre la máquina y extraiga el paquete de baterías de la máquina.



No tire el producto en contenedores no apropiados.



El producto es conforme con las normas de seguridad vigentes en las Directivas Europeas.

INSTRUCCIONES GENERALES DE SEGURIDAD



PRECAUCIÓN! Lea todas las advertencias de seguridad y todas las instrucciones. Si no lo hace, el uso indebido puede acarrear cortocircuitos, fuego o lesiones graves.

Conserve estas instrucciones.

El término “herramienta eléctrica”, en todas las advertencias enumeradas a continuación se refiere a su herramienta eléctrica (i nalámbrica) que funciona con una batería o a través de la red eléctrica.

1) Área de trabajo

- a) **Trabaje en un lugar limpio y bien iluminado.** Lugares no iluminados o sucios propician accidentes.
- b) **No use herramientas eléctricas donde haya riesgo de fuego o explosión, p.ej: cerca de líquidos o gases inflamables, polvo etc.** Las herramientas eléctricas producen chispas que pueden producir la ignición de partículas de humo.
- c) **Mantenga a los niños y otras personas alejados mientras utiliza la herramienta eléctrica.** Las distracciones pueden hacer que pierda el control de la herramienta.

2) Seguridad eléctrica

- a) **Cerciórese de que las clavijas de la herramienta eléctrica están correctamente**

enchufadas. Nunca modifique la clavija. No utilice ningún adaptador para la clavija de una herramienta eléctrica con conexión a tierra. Las clavijas que no se hayan cambiado y los enchufes adecuados reducen el riesgo de cortocircuitos.

- b) **Evite el contacto humano con superficies con conexiones a tierra como tubos metálicos, conductos, tubos de la calefacción, radiadores y refrigeradores.** El riesgo de cortocircuitos es mayor cuando el cuerpo está en contacto con el suelo.
 - c) **No use herramientas eléctricas bajo la lluvia o en entornos húmedos.** Si entra agua en una herramienta eléctrica aumenta el riesgo de cortocircuito.
 - d) **No utilice el cable para todo. Nunca utilice el cable para mover la máquina, empujarla o sacar la clavija del enchufe. Mantenga el cable alejado del calor, aceite, zonas cortantes o piezas en movimiento.** Los cables dañados o enredados aumentan el riesgo de cortocircuito.
 - e) **Use un cable alargador impermeable adecuado para exteriores cuando trabaje con la herramienta eléctrica al aire libre.** El riesgo de cortocircuito es menor si utiliza un cable alargador adecuado para exteriores.
 - f) **Si no se puede evitar el uso de la herramienta eléctrica en un lugar húmedo, use suministro protegido mediante dispositivo diferencial residual (DDR).** El uso de un DDR reduce el riesgo de choque eléctrico.
 - h) **No permita que la familiaridad adquirida con el uso frecuente de las herramientas le haga confiarse e ignorar los principios de seguridad de las herramientas.** Una acción descuidada puede causar lesiones graves en una fracción de segundo.
- #### 3) Seguridad personal
- a) **No se descuide, preste atención a lo que está haciendo y utilice el sentido común mientras trabaje con esta herramienta. No use herramientas eléctricas cuando esté cansado o esté bajo los efectos del alcohol, las drogas o los medicamentos.** Un momento de distracción, mientras utilice la herramienta eléctrica, puede provocar lesiones personales graves.
 - b) **Use equipo de protección individual. Use siempre gafas protectoras.** El uso en condiciones apropiadas del equipo de

seguridad como por ejemplo: mascarilla antipolvo, zapatos antideslizantes de seguridad, casco o protección para los oídos, disminuye el riesgo de sufrir lesiones personales.

- c) **Evite arranques involuntarios. Asegúrese de que el interruptor está en la posición de apagado antes de conectarlo a la fuente de electricidad.** Transportar herramientas eléctricas con el dedo puesto sobre el interruptor o enchufarlas con el interruptor encendido puede causar accidentes.
 - d) **Quite cualquier llave de ajuste antes de encender la herramienta eléctrica.** Una llave olvidada junto a una pieza móvil de la herramienta eléctrica puede provocar lesiones personales graves.
 - e) **No se estire demasiado. Mantenga siempre el equilibrio y tenga los pies en el suelo.** Esto permite un mayor control de la herramienta eléctrica en situaciones inesperadas.
 - f) **Vístase apropiadamente. No lleve prendas holgadas o joyas. Mantenga su pelo, ropa y guantes alejados de las piezas móviles.** Las prendas holgadas, las joyas y el pelo largo pueden quedar atrapados en las piezas móviles.
 - g) **Si se han suministrado dispositivos para la extracción y recogida de polvo asegúrese de que estos estén conectados y se utilicen correctamente.** El uso de estos dispositivos puede reducir los riesgos relacionados con el polvo.
 - h) **Mantenga las asas y las superficies de agarre secas, limpias y libres de aceite y grasa.** Las asas y las superficies de agarre resbaladizas no permiten un manejo y control seguros de la herramienta en situaciones inesperadas.
- 4) **Utilización y cuidados de la herramienta eléctrica**
- a) **No fuerce la herramienta eléctrica. Utilice la herramienta eléctrica adecuada para el trabajo que vaya a realizar.** Una herramienta eléctrica apropiada realizará un trabajo mejor y más seguro si se utiliza para el objetivo con el que ha sido diseñada.
 - b) **No use herramientas que no pueden encenderse o apagarse con el interruptor.**

Las herramientas que ya no se puedan encender y apagar son peligrosas y deben repararse.

- c) **Desenchufe la clavija de la toma de electricidad antes de realizar modificaciones, cambiar accesorios o guardar las herramientas eléctricas.** Tales medidas de seguridad preventivas reducen el riesgo de la puesta en marcha accidental.
 - d) **Mantenga a los niños alejados de una herramienta eléctrica sin utilizar y no permita a personas que no estén familiarizadas con la máquina o estas instrucciones utilizar la herramienta.** La herramienta eléctrica puede ser peligrosa cuando la utilicen personas sin experiencia.
 - e) **Conserve sus herramientas cuidadosamente. Verifique cualquier desalineación o agarrotamiento de piezas móviles, piezas dañadas y cualquier otra causa, que pudiera repercutir en el buen funcionamiento de la herramienta eléctrica. Si la herramienta está estropeada, repárela antes de utilizarla.** Muchos de los accidentes están causados por un mantenimiento insuficiente del equipo eléctrico.
 - f) **Mantenga las herramientas de corte limpias y afiladas.** Sierras con esquinas cortantes con un buen mantenimiento se bloquean menos y son más fáciles de controlar.
 - g) **Utilice la herramienta eléctrica, accesorios y brocas etc. Siguiendo las instrucciones atendiendo al tipo de herramienta eléctrica y tenga en cuenta las condiciones de trabajo y el tipo de trabajo que se va a realizar.** Puede ser peligroso realizar trabajos con la herramienta diferentes de aquellos para los que está diseñada.
- 5) **Uso y cuidado de las herramientas alimentadas por batería**
- a) **Recargue las baterías únicamente con el cargador recomendado por el fabricante.** Un cargador que es apto para un tipo de baterías determinado puede provocar riesgo de incendio si se usa para cargar otra clase de baterías.
 - b) **Use las herramientas eléctricas sólo con las baterías indicadas específicamente.** El uso de otra clase de baterías diferente puede ocasionar el riesgo de derivar en lesiones o un incendio.

- c) **Cuando el paquete de baterías no esté en uso, consérvelo retirado de objetos metálicos como sujetapapeles, monedas, llaves, clavos, tornillos o cualquier otro objeto metálico pequeño que pueda hacer puente entre las terminales.** El contacto entre las terminales de la batería puede causar quemaduras o incendio.
- d) **Bajo condiciones extremas de abuso la batería podría expulsar un líquido; evite todo contacto. Si se produjese contacto accidentalmente, lávese bien con agua. Si el líquido hace contacto con los ojos, consulte también al médico.** El líquido emanado de la batería puede causar irritaciones o quemaduras.
- e) **No utilice una batería o una herramienta que esté dañada o modificada.** Las baterías dañadas o modificadas pueden presentar un comportamiento impredecible y provocar un incendio, una explosión o riesgo de lesiones.
- f) **No exponga una batería o una herramienta al fuego o a temperatura excesiva.** La exposición al fuego o a temperaturas superiores a 130 °C puede provocar una explosión.
NOTA: La temperatura “130 °C” puede sustituirse por la temperatura “265 °F”.
- g) **Siga todas las instrucciones de carga y no cargue la batería o la herramienta fuera del rango de temperatura especificado en las instrucciones.** La carga incorrecta o a temperaturas fuera del rango especificado puede causar daños a la batería y aumentar el riesgo de incendio.
- 6) **Servicio**
- a) **Haga reparar su herramienta eléctrica por una persona cualificada, usando solo piezas de repuesto idénticas.** Esto garantiza que se mantenga la seguridad de la herramienta eléctrica.
- b) **Nunca repare las baterías dañadas.** El mantenimiento de las baterías debe ser realizado solo por el fabricante o los proveedores de servicio autorizados.

ADVERTENCIAS DE SEGURIDAD ADICIONALES PARA CORTASETOS

- Mantenga su zona de trabajo limpia y ordenada.
- Sujete siempre bien el cortasetos. Manéjelo con las dos manos.
- Si usa un alza para estar más alto, asegúrese de que sea estable y no pueda caerse (no intente alcanzar en ningún momento adonde no llegue).
- No use herramientas eléctricas con lluvia ni en entornos mojados. No use herramientas eléctricas si hay riesgo de explosión o incendio, es decir, cerca de líquidos o gases inflamables.
- No deje que haya niños en su zona de trabajo.
- No deje que los niños ni otras personas toquen las herramientas eléctricas.
- No deje la herramienta eléctrica desatendida.
- Guárdela en un lugar seco, fuera del alcance de los niños.
- Use siempre gafas y guantes de seguridad. Es aconsejable también el uso de protectores auditivos.
- Póngase ropa adecuada; no use prendas sueltas ni joyas y asegúrese de que las prendas no entren en contacto con piezas móviles.
- Si tiene el pelo largo, recójaselo para evitar que se enrede en piezas móviles.
- Antes de usar una herramienta eléctrica, revise posibles piezas dañadas si, si las hubiere, no la use hasta que se sustituyan dichas piezas.
- No use herramientas eléctricas si está cansado o ha bebido.
- No fuerce el aparato; deje que funcione a la velocidad para la que ha sido diseñado.
- No intente alcanzar adonde no llegue mientras esté trabajando; podría perder el equilibrio.
- No use nunca el aparato sin el protector de la hoja puesto. Debe estar puesto siempre.
- Use solo piezas de repuesto y accesorios suministrados por FERM. Usar accesorios que no sean suministrados o recomendados por FERM invalidará la garantía y podría ser peligroso.
- Use este aparato solo para lo que ha sido diseñado: cortar setos y arbustos.



¡Tenga cuidado, sobre todo!



¡Peligro!

- a) **Mantenga el cuerpo alejado de la cuchilla. No retire el material de corte ni sujete el material cuando las cuchillas estén en movimiento.** *Las cuchillas siguen moviéndose después de apagar el interruptor. Desatender el cortasetos un instante mientras esté en funcionamiento puede acarrear lesiones personales graves.*
- b) **Transporte el cortasetos por el asa con la cuchilla parada y teniendo cuidado de no accionar ningún interruptor.** *El correcto transporte del cortasetos disminuirá el riesgo de arranque desapercibido y las lesiones personales resultantes por acción de las cuchillas.*
- c) **Cuando transporte o guarde el cortasetos, ponga siempre la cubierta protectora.** *La correcta manipulación del cortasetos disminuirá el riesgo de sufrir lesiones personales por acción de las cuchillas.*
- d) **Al retirar el material atascado o realizar el mantenimiento de la unidad, asegúrese de que todos los interruptores estén desactivados y el cable de corriente esté desconectado.** *El funcionamiento inesperado del cortasetos durante la extracción del material atascado o el mantenimiento de la unidad puede producir lesiones personales graves.*
- e) **Sujete el cortasetos solo por las superficies de agarre aisladas porque la cuchilla puede entrar en contacto con cables ocultos o con su propio cable.** *Si las cuchillas entran en contacto con un cable con tensión, pueden exponer las partes metálicas del cortasetos a tensión y ocasionar una descarga eléctrica al operario.*
- f) **Mantenga todos los cables de corriente y demás cables alejados de la zona de corte.** *Puede haber cables de corriente u otros cables ocultos en los setos o arbustos que pueden resultar cortados accidentalmente por la cuchilla.*
- g) **No utilice el cortasetos si hay mal tiempo, especialmente en caso de riesgo de rayos.** *Esto disminuye el riesgo de recibir el impacto de un rayo.*

- h) **Efectúe periódicamente controles y el mantenimiento al cortasetos.** *Lleve a reparar el cortasetos solo a un taller autorizado.*
- i) **Aleje manos y pies de la zona de recorte en todo momento.**
- j) **Sujete siempre el cortasetos a una distancia segura del cuerpo.**
- k) **Use siempre gafas protectoras.**
- l) **Use siempre guantes.**
- m) **Use el cortasetos solamente de día.**
- n) **Asegúrese de que las entradas de ventilación estén despejadas de residuos en todo momento.**
- o) **Asegúrese de que no hay personas ni animales a menos de 5 m de la zona de corte.**

ADVERTENCIAS DE SEGURIDAD ADICIONALES PARA CORTASETOS INALÁMBRICO

- No cargue el cortasetos con lluvia o en sitios mojados.
- No use el cortasetos con batería con lluvia.
- Quite o desconecte la batería antes de reparar, limpiar o quitar material del cortasetos.
- No tire la/s batería/s al fuego. La célula puede explotar. Revise posibles instrucciones especiales de desecho en la normativa local.

2. INFORMACION DE LA MAQUINA

Uso previsto

Este cortasetos está diseñado solo para cortar ramas de matorrales, arbustos, plantas ornamentales y setos.

ESPECIFICACIONES TECNIC

Modelo n.o.	HTM1005	
Voltaje nominal	20V	
Velocidad sin carga	1.200/min.	
Longitud de corte	450mm	
Ancho de corte	14mm	
Peso	1.98 kg	
Nivel de presión acústica LpA	81.3 db (A),	KpA=3 dB (A)
Nivel de potencia acústica LwA	92.9 db (A),	KwA=3 dB (A)
Valor de vibración:		
Empuñadura delantera Ah	2.459 m/s ² , K=1.5 m/s ²	
Empuñadura trasera Ah	1.754 m/s ² , K=1.5 m/s ²	

Use solo las siguientes baterías de la plataforma de baterías FX-POWER 20V. El uso de cualquier otra batería puede causar lesiones graves o dañar la herramienta.

CDA1167 20V, 2Ah de iones de litio
CDA1168 20V, 4Ah de iones de litio

Para cargar estas baterías se puede utilizar el siguiente cargador de batería.

CDA1169 Adaptador de cargador
CDA1170 Cargador rápido

Las baterías de la plataforma de baterías FX-POWER 20V son intercambiables con todas las herramientas de la plataforma de baterías FERM FX-POWER.

Nivel de vibración

El nivel de emisión de vibraciones indicado en este manual de instrucciones ha sido medido según una prueba estándar proporcionada en EN 62841; puede utilizarse para comparar una herramienta con otra y como valoración preliminar de la exposición a las vibraciones al utilizar la herramienta con las aplicaciones mencionadas

- al utilizarla para distintas aplicaciones o con accesorios diferentes o con un mantenimiento deficiente, podría aumentar de forma notable el nivel de exposición
- en las ocasiones en que se apaga la herramienta o cuando está funcionando pero no está realizando ningún trabajo, se podría reducir el nivel de exposición de forma importante

Protéjase contra los efectos de la vibración realizando el mantenimiento de la herramienta y sus accesorios, manteniendo sus manos calientes y organizando sus patrones de trabajo.

DESCRIPCIÓN

Los números del texto se refieren a los diagramas de las páginas 2-3.

1. Interruptor de Encendido/Apagado
2. Batería (no incluido)
3. Botón de desbloqueo de la batería
4. Hoja de corte
5. Protector de seguridad
6. Mango delantero
7. Interruptor de seguridad
8. Protección de transporte

3. MONTAJE



Antes de realizar cualquier trabajo en la herramienta eléctrica, extraiga la batería.



Debe cargarse la batería antes de usar la máquina por primera vez.

Montaje del mango delantero (Fig. B)

1. Ponga el mango delantero (6) en la máquina, como se indica en la figura B.
2. Monte el mango delantero (6) apretando el tornillo.

Montaje del protector (Fig. C)



No puede usar el cortasetos sin el protector

1. Ponga el protector (5) en la máquina, como se indica en la figura C.
2. Monte el protector (5) apretando el tornillo.

Instalación de la batería en la máquina (Fig. A, D)



Compruebe que la parte exterior de la batería esté limpia y seca antes de colocarla en el cargador o en la máquina.

1. Inserte la batería (2) en la base de la máquina como se muestra en la Fig. D.
2. Pulse la batería más hacia delante hasta que haga clic en su sitio.

Extracción de la batería de la máquina (Fig. A, D)

1. Presione el botón de desbloqueo de la batería (3)
2. Extraiga la batería de la máquina como se muestra en la Fig. D.

4. MANEJO



Antes de usar, inspeccione siempre visualmente para comprobar que las hojas, los tornillos de las hojas y el conjunto de corte no estén desgastados o dañados.



No puede usar el cortasetos sin el protector



Sujete el cortasetos siempre con las dos manos y manténgalo alejado del cuerpo.

Usar el cortasetos

- Por su propia seguridad y para conseguir mejores resultados, lea los siguientes consejos al usuario y no use este producto para ninguna otra cosa que no sea para lo que ha sido diseñado.
- Este cortasetos está hecho para cortar setos y arbustos. Cualquier otro uso que no esté específicamente indicado en este manual podría provocar lesiones al usuario.

Encendido y apagado (Fig. A)

- Para encender el cortasetos, pulse el botón de seguridad (7) y el de arranque (1) a la vez.
- Para apagarlo, suelte uno de los dos botones.

Cortar un seto - mejor método

- Además de setos, el cortasetos también puede usarse para cortar arbustos.
- El mejor corte se consigue poniendo la hoja en un ángulo de aprox. 15°.
- Los cuchillos giratorios opuestos cortan en ambos lados y, por tanto, es posible cortar el seto en ambos sentidos.
- Los lados del seto se recortan con movimientos curvados de abajo a arriba.
- Lo idóneo es que el seto sea más ancho por abajo que por arriba. Esto mejorará la penetración de luz y mantendrá el seto sano. Si es posible, recorte ambos lados del seto.
- Al cortar los lados del seto, corte de abajo a arriba. Esto garantizará que no haya recortes de seto que obstruyan o interfieran en sus trazos de corte. No debe forzar la hoja para cortar demasiado profundo. Corte ligeramente a través de la superficie del seto.
- Al recortar la parte superior del seto, corte en sentido opuesto adonde esté usted, pero no demasiado lejos. Es más seguro e inteligente avanzar y cortar dentro de su alcance, permaneciendo a 60 cm en todo momento.

Transportarlo con seguridad

El cortasetos tiene una cubierta protectora (8), para transportar la máquina con seguridad.

5. MANTENIMIENTO



Antes de realizar la limpieza y el mantenimiento, apague siempre la máquina y extraiga el paquete de baterías de la máquina.

Limpie regularmente las carcasas de la batería con un paño suave, preferentemente después de cada uso. Compruebe que los orificios de ventilación estén libres de polvo y suciedad. Elimine el polvo persistente utilizando un paño suave humedecido con agua y jabón. No use disolventes tales como gasolina, alcohol, amoníaco, etc. Tales productos químicos pueden dañar los componentes sintéticos.

Hoja de corte

- Use guantes siempre que maneje o limpie la hoja de corte.
- Limpie la hoja de corte y rociela con un aceite protector después de cada uso. Es aconsejable engrasar la hoja de corte con aceite protector con regularidad durante períodos largos de uso.
- Revise visualmente el estado de la hoja de corte. Compruebe que los tornillos estén bien apretados a la hoja de corte.
- Asegure que el protector de la hoja esté colocado en la máquina.

Almacenamiento

El cortasetos debe guardarse en un lugar seco y seguro, fuera del alcance de los niños. No coloque otros objetos encima.

MEDIOAMBIENTE



Los aparatos eléctricos o electrónicos defectuosos y/o desechados deben recogerse en lugares de reciclado apropiado.

Solo para países de la Comunidad Europea

No elimine las herramientas eléctricas como residuos domésticos. De acuerdo con la Directiva europea 2012/19/CE sobre residuos de aparatos eléctricos y electrónicos, y su transposición a las legislaciones nacionales, las herramientas eléctricas que ya no se utilizan deben recogerse por separado y eliminarse en modo ecológico.

CONDICIONES DE GARANTÍA

Los productos FERM han sido desarrollados con los más altos estándares de calidad y FERM garantiza que están exentos de defectos relacionados con los materiales y la fabricación durante el periodo legalmente estipulado, a contar desde la fecha de compra original. En caso de que el producto presente defectos relacionados con los materiales y/o la fabricación durante este periodo, póngase directamente en contacto FERM.

La presente garantía se excluye en los siguientes casos:

- Si centros de servicios no autorizados han realizado o han intentado realizar reparaciones y/o alteraciones a la máquina.
- Si se ha producido un desgaste normal.
- Si la herramienta ha sido mal tratada o usada en modo impropio, o se ha realizado incorrectamente su mantenimiento.
- Si se han utilizado piezas de repuesto no originales.

La presente constituye la única garantía implícita y explícita que ofrece la compañía. No existen otras garantías explícitas o implícitas que excedan las citadas aquí, incluidas las garantías implícitas de comerciabilidad e idoneidad para una finalidad en especial. FERM no será considerada responsable en ningún caso por daños incidentales o consecuentes. Los recursos a disposición de los distribuidores se limitan a la reparación o a la sustitución de las unidades o piezas no conformes.

El producto y el manual de usuario están sujetos a variaciones. Las especificaciones pueden variarse sin previo aviso.

ŠKARE ZA ŽIVICU HTM1005

Zahvaljujemo na kupnji ovog Ferm proizvoda. Njime ste si osigurali izvrstan proizvod koji vam pruža jedan od europskih vodećih dobavljača. Svi proizvodi koje Vam je isporučio Ferm proizvedeni su prema najvišim izvedbenim i sigurnosnim standardima. Kao dio naše filozofije također pružamo izvrsnu podršku klijentima, koji podržava naše opsežno jamstvo. Nadamo se da ćete uživati u korištenju ovog proizvoda još mnogo godina.

1. SIGURNOSNE UPUTE



Pročitajte priložena sigurnosna upozorenja, dodatna sigurnosna upozorenja i upute. Nepoštivanje sigurnosnih upozorenja i uputa mogu uzrokovati strujni udar, požar i / ili ozbiljne ozljede. **Sačuvajte sigurnosna upozorenja i upute za buduću uporabu.**

Sljedeći simboli se koriste u korisničkom priručniku ili na proizvodu:



Pročitajte upute za uporabu.



Označava opasnost od tjelesne ozljede, gubitka života ili oštećenja alata u slučaju nepridržavanja uputa iz ovog priručnika.



Rizik od letećih predmeta. Druge osobe držite podalje od mjesta rada.



Nemojte izlagati kiši.



OPASNOST! Ruke držite podalje od oštrice.



*Nosite zaštitne naočale.
Nosite zaštitu za sluh.*



Nosite zaštitne rukavice.



Prije čišćenja i održavanja uvijek isključite stroj i odspojite akumulator iz stroja.



Nemojte odlagati proizvod u neprikladnim spremnicima.



Proizvod je u skladu s važećim sigurnosnim standardima u europskim direktivama.

OPĆA SIGURNOSNA UPOZORENJA ZA ELEKTRIČNE ALATE



UPOZORENJE!

Pročitajte sva sigurnosna upozorenja i upute. Nepoštovanje upozorenja i uputa

može rezultirati strujnim udarom, požarom i/ili ozbiljnim ozljedama.

Upozorenja i upute čuvajte za buduće potrebe.

Izraz "električni alat" u upozorenjima odnosi se na vaš električni alat napajan iz gradske mreže (sa žicom) ili električni alat napajan baterijom (bez žice).

1) Sigurnost radnog prostora

- Radni prostor održavajte čistim i dobro osvijetljenim.** Zakrčeni ili mračni prostori prizivaju nezgode.
- Električne alate nemojte upotrebljavati u eksplozivnom okruženju, primjerice u prisutnosti zapaljivih tekućina, plinova ili prašine.** Električni aparati stvaraju iskre koje mogu zapaliti prašinu ili isparavanja.
- Djecu i druge osobe držite podalje tijekom upotrebe električnih alata.** Zbog odvratanja pozornosti mogli biste izgubiti nadzor nad uređajem.

2) Zaštita od električne struje

- Utikači električnih alata moraju odgovarati utičnicama.** Nikad ni na koji način ne prepravljajte utikač. Prilikom upotrebe električnih alata s uzemljenjem ne koristite prilagodne utikače. Neizmijenjeni utikači i odgovarajuće utičnice smanjit će rizik od električnog udara.
- Izbjegavajte fizički dodir s uzemljenim površinama poput cijevi, radijatora, metalnih okvira i hladnjaka.** Postoji povećani rizik od električnog udara ako je vaše tijelo uzemljeno.

- Električne alate ne izlažite kiši ni vlazi.** Prodiranje vode u električni alat povećat će rizik od električnog udara.
- Kabel ne upotrebljavajte za nepredviđene namjene.** Kabel nikad ne upotrebljavajte za nošenje, povlačenje ili odvajanje utikača električnog alata iz električne utičnice. Kabel držite podalje od izvora topline, ulja i oštrih ili pokretnih dijelova. Oštećeni ili zapleteni kabel povećat će rizik od električnog udara.
- Prilikom rada s električnim alatom na otvorenom prostoru upotrijebite produžni kabel koji je za to predviđen.** Upotreba produžnog kabela koji je pogodan za upotrebu na otvorenom smanjuje rizik od strujnog udara.
- Ako nije moguće izbjeći upotrebu električnog alata u vlažnim uvjetima, upotrijebite napajanje s diferencijalnom sklopkom za zaštitu od neispravnosti uzemljenja (RCD).** Upotreba RCD sklopke smanjuje rizik od električnog udara.

3) Osobna sigurnost

- Budite na oprezu, pazite što radite i primjenjujte zdravorazumski pristup prilikom rada s električnim alatom.** Ne koristite električni alat ako ste umorni ili pod utjecajem droga, alkohola ili lijekova. Trenutak nepažnje tijekom rada s električnim alatom može dovesti do ozbiljnih ozljeda.
- Koristite opremu za osobnu zaštitnu.** Uvijek koristite zaštitu za oči. Upotreba zaštitne opreme poput maske protiv prašine, sigurnosnih cipela protiv klizanja, čvrste kape ili zaštite sluha u odgovarajućim uvjetima smanjit će rizik od osobnih ozljeda.
- Spriječite nepredviđena uključivanja.** Prije priključivanja u električnu mrežu ili umetanja akumulatorske baterije, kao i prije uzimanja ili nošenja alata, provjerite je li prekidač u isključenom položaju. Nošenje električnog alata pri čemu je prst na prekidaču ili priključivanje električnog alata kojemu je prekidač uključen priziva nezgode.
- Prije nego uključite električni alat, uklonite s njega sve ključeve za prilagođavanje i sl.** Ostavljanje ključa na rotirajućem dijelu električnog alata može dovesti do ozljede.
- Nemojte predaleko posezati.** Stalno održavajte ravnotežu i stojte čvrsto na nogama. To omogućuje bolju kontrolu

- električnog alata u neočekivanim situacijama.
- f) **Pravilno se obucite. Ne nosite široku odjeću ili nakit. Kosu, odjeću i rukavice uvijek držite podalje od pokretnih dijelova. Pokretni dijelovi mogu zahvatiti labavo obučenu odjeću, nakit ili dugu kosu.**
- g) **Ako upotrebljavate uređaje za usisavanje i prikupljanje prašine, osigurajte njihovo pravilno povezivanje i upotrebu. Upotreba uređaja za prikupljanje prašine može smanjiti opasnosti vezane uz prašinu.**
- h) **Ne dopustite da zbog samopouzdanja stečenog učestalom upotrebom alata zanemarite sigurnosna pravila. Nepažljivo postupanje može uzrokovati ozbiljne ozljede za djelić sekunde.**
- 4) Upotreba i čuvanje električnih alata**
- a) **Električni alat nemojte forsirati. Koristite ispravan električni alat za vašu primjenu. Prikladan električni alat bolje će i sigurnije obaviti posao brzinom za koju je predviđen.**
- b) **Ne upotrebljavajte električni alat ako se prekidač ne može prebaciti u isključeni ili uključeni položaj. Svaki električni alat kojim se ne može upravljati pomoću prekidača predstavlja opasnost i potrebno ga je popraviti.**
- c) **Prije prilagođavanja, zamjene nastavaka ili pohrane električnog alata isključite utikač iz utičnice ili odvojite akumulatorsku bateriju. Te sigurnosne preventivne mjere smanjuju rizik od nehotičnog pokretanja električnog alata.**
- d) **Električne alate koji se ne upotrebljavaju pohranite izvan dohvata djece i ne dopustite osobama koje nisu upoznate s alatom ili ovim uputama da rade s njim. Električni alati opasni su u rukama neobučениh korisnika.**
- e) **Električne alate potrebno je održavati. Provjerite ima li kakvih otklona ili savinuća pokretnih dijelova, pucanja dijelova ili kakvih drugih stanja koja mogu utjecati na rad električnog alata. Ako je alat oštećen, popravite ga prije upotrebe. Velik broj nezgoda prouzrokovan je loše održavanim električnim alatima.**
- f) **Rezne dijelove alata održavajte oštlima i čistima. Pravilno održavanje radnih alata s oštirim rubovima smanjuje vjerojatnost njegovog povijanja i lakše je za kontroliranje.**
- g) **Električni alat, pribor, nastavke itd. upotrebljavajte u skladu s ovim uputama te uzimajući u obzir radne uvjete i posao koji je potrebno obaviti. Upotreba električnih alata za poslove za koje nije namijenjen može dovesti do opasnih situacija.**
- h) **Ručke i rukohvate održavajte suhima, čistima te bez ulja i masti. Klizave ručke i rukohvati ne omogućuju sigurnu upotrebu i upravljanje alatom u neočekivanim okolnostima.**
- 5) Upotreba i čuvanje baterije**
- a) **Punite samo punjačem koji je preporučio proizvođač. Punjač koji je prikladan za jednu vrstu baterije može uzrokovati požar ako se upotrebljava s drugom baterijom.**
- b) **Električne alate upotrebljavajte isključivo s preporučenim baterijskim ulošcima. Uporaba bilo koje druge baterije može predstavljati rizik od ozljede i požara.**
- c) **Kada baterija nije u uporabi, držite je podalje od drugih metalnih predmeta kao što su spajalice, novčići, ključevi, čavli, vijci ili drugi maleni metalni predmeti koji mogu dovesti do spajanja polova. Kratko spajanje polova baterije može uzrokovati opekline i požar.**
- d) **Ako se baterija nepravilno koristi, iz nje može iscuriti tekućina. Izbjegavajte kontakt. Ako slučajno dođe do kontakta, isperite vodom. Ako tekućina dođe u kontakt s očima, zatražite medicinsku pomoć. Tekućina koja iscuri iz baterije može uzrokovati iritacije ili opekline.**
- e) **Ako su baterija ili alat oštećeni ili modificirani, nemojte ih upotrebljavati. Oštećene ili modificirane baterije mogu biti nepredvidljive i uzrokovati požar, eksploziju i ozljede.**
- f) **Bateriju i alat nemojte izlagati vatri ni visokim temperaturama. Izlaganje vatri ili temperaturama višima od 130°C može uzrokovati eksploziju. NAPOMENA Temperatura "130°C" može se zamijeniti temperaturom "265°F".**
- g) **Slijedite sve upute za punjenje i nemojte puniti bateriju ili alat izvan temperaturnog raspona navedenog u uputama. Nepravilno punjenje ili punjenje pri temperaturama izvan navedenog raspona može uzrokovati oštećenje baterije i požar.**

6) Servisiranje

- a) **Električne alate servisirajte kod kvalificiranog serviser a i upotrebom identičnih zamjenskih dijelova.** *Na taj ćete način osigurati sigurnost pri održavanju alata.*
- b) **Nemojte servisirati oštećene baterije.** *Servis baterije smije obavljati samo proizvođač ili ovlašteni servis.*

DODATNA SIGURNOSNA UPOZORENJA ZA ŠKARE ZA ŽIVICU

- Mjesto rada održavajte čistim i urednim.
- Uvijek pravilno držite uređaj. Prilikom upotrebe objema rukama
- Ako se podižete od tla držite se za neki predmet, provjerite je li on stabilan i da se ne može prevrnuti. Nemojte predaleko posezati ni u kojem trenutku.
- Električne alate ne izlažite kiši ni vlazi. Električne alate nemojte upotrebljavati na mjestima na kojima postoji visok rizik od požara ili eksplozije, npr. blizu zapaljivih tekućina ili plinova.
- Djecu držite podalje od mjesta rada.
- Ne dopustite da druge osobe ili djeca dodiruju električne alate. Električni alat ne ostavljajte bez nadzora.
- Pohranite na suhome mjestu izvan dohvata djece.
- Uvijek upotrijebite zaštitne naočale i rukavice. Također preporučujemo upotrebu zaštite za sluh.
- Nosite odgovarajuću odjeću. Nemojte nositi široku odjeću ili nakit i pazite da odjeća ne dođe u kontakt s pomičnim dijelovima.
- Ako imate dugu kosu, dobro je zavezite kako se ne bi zapetljala o pomične dijelove.
- Prije upotrebe bilo kojeg električnog alata provjerite ima li oštećenih dijelova. Ako je bilo što oštećeno, nemojte upotrebljavati alat prije nego što zamijenite oštećene dijelove.
- Električne alate nemojte upotrebljavati kada ste umorni ili ste konzumirali alkohol.
- Uređaj nemojte forsirati. Pustite ga da radi tempom za koji je predviđen.
- Tijekom rada nemojte predaleko posezati kako ne biste izgubili ravnotežu.
- Uređaj nemojte upotrebljavati bez postavljenog štitnika oštrice. Štitnik mora uvijek biti postavljen.
- Koristite samo zamjenske dijelove i priključke

koje isporučuje FERM. Upotreba priključaka koje nije proizvela ili preporučila tvrtka FERM poništava jamstvo i može biti opasna.

- Ovaj uređaj upotrebljavajte samo u predviđene svrhe, tj. za šišanje živica i grmlja.



Budite oprezni!



Opasnost!

- a) **Sve dijelove tijela držite podalje od oštrice. Nemojte uklanjati odrezani materijal ili držati materijal koji režete dok su oštrice u pokretu.** Oštrice se nastavljaju kretati nakon isključivanja na prekidaču. Trenutak nepažnje tijekom upotrebe škara za živicu može rezultirati ozbiljnim ozljedama.
- b) **Škare za živicu nosite držeći ih za ručku dok je oštrica zaustavljena i pazeći da ne pritisnete prekidač napajanja.** Pravilno nošenje škara za živicu smanjuje rizik od nehotičnog uključivanja i ozljeda koje uzrokuju oštrice.
- c) **Prilikom transporta ili pohrane škara za živicu uvijek postavite poklopac oštrice.** Pravilno rukovanje škarama za živicu smanjuje rizik od ozljeda koje uzrokuju oštrice.
- d) **Prilikom uklanjanja zaglavljelog materijala ili servisiranja uređaja provjerite jesu li svi prekidači isključeni, a kabel napajanja iskopčan.** Nehotično uključivanje škara za živicu prilikom uklanjanja zaglavljelog materijala ili servisiranja može rezultirati ozbiljnim ozljedama.
- e) **Škare za živicu držite samo za izolirane površine jer oštrica može doći u kontakt sa skrivenim električnim instalacijama ili vlastitim kabelom.** Ako oštrice dođu u kontakt sa žicama pod naponom, svi metalni dijelovi uređaja bit će također pod naponom i može doći do strujnog udara.
- f) **Sve kabele napajanja i ostale kabele držite podalje od mjesta rezanja.** Kabeli napajanja i drugi kabele mogu biti skriveni u živicama i grmlju te ih oštrica može prerezati.
- g) **Škare za živicu nemojte upotrebljavati u lošim vremenskim uvjetima, osobito ako postoji mogućnost nastanka groma.** To smanjuje rizik od udara groma.

- h) Škare za živicu redovito pregledavajte i održavajte. Škare za živicu popravljajte samo u ovlaštenom servisu.
- i) Šake i stopala uvijek držite podalje od mjesta rezanja.
- j) Škare za živicu uvijek držite na sigurnoj udaljenosti od tijela.
- k) Uvijek nosite zaštitne naočale.
- l) Uvijek nosite rukavice.
- m) Škare za živicu koristite samo pri dnevnom svjetlu.
- n) Ventilacijski otvori trebaju uvijek biti čisti.
- o) U krugu 5 metara od mjesta obrezivanja ne smije biti ljudi i životinja.

DODATNA SIGURNOSNA UPOZORENJA ZA BEŽIČNE ŠKARE ZA ŽIVICU


- Škare za živicu nemojte čistiti po kiši ili na vlažnim mjestima.
- Baterijske škarice za živicu nemojte upotrebljavati po kiši.
- Uklonite ili odspojite bateriju prije servisiranja, čišćenja ili uklanjanja materijala iz škara za živicu.
- Baterije nemojte bacati u vatru. Baterija može eksplodirati. Provjerite lokalne propise o odlaganju otpada.

2. PODACI O UREĐAJU

Predviđena upotreba

Ove škarice za živicu predviđene su samo za obrezivanje živica, grmlja, ukrasnih biljaka i sl.

TEHNIČKI PODACI

Model	HTM1005
Nazivni napon	20 V 
Brzina bez opterećenja	1.200 o/min.
Rezna dužina	450 mm
Rezna širina	14 mm
Masa	1,98 kg
Zvučni tlak LPA	81,3 db (A), KpA=3 db (A)
Zvučna snaga LWA	92,9 db (A), KwA=3 db (A)
Vibracije:	
Prednja ručka Ah	2.459 m/s ² , K=1,5 m/s ²
Stražnja ručka Ah	1.754 m/s ² , K=1,5 m/s ²

Koristite samo sljedeće baterije platforme FX-POWER 20 V. Upotreba bilo kojih drugih baterija može uzrokovati ozbiljne ozljede ili oštećenje alata.

CDA1167 20V, 2 Ah litij-ionska
CDA1168 20V, 4 Ah litij-ionska

Sljedeći punjač može se upotrijebiti za punjenje ovih baterija.

CDA1169 prilagodnik za punjenje
CDA1170 brzi punjač

Baterije platforme FX-POWER 20 V mogu se upotrijebiti uz sve alate baterijske platforme FERM FX-POWER.

Razina vibracija

Razina emisije vibracija, naznačen na poledini ove upute za uporabu, izmjerena je sukladno standardiziranim testom danom u EN62841; može se koristiti za usporedbu jednog alata s drugim, kao i za preliminarnu procjenu izloženosti vibracijama, kada se ovaj alat koristi za navedene svrhe.

- Korištenje alata u drugačije svrhe ili s drugim ili slabo održanim nastavcima može značajno povećati razinu izloženosti.
- Vrijeme kada je alat isključen ili je uključen, ali se njime ne radi, može značajno smanjiti razinu izloženosti.

Zaštitite se od djelovanja vibracija održavanjem alata i njegovih nastavaka, održavajući vaše ruke toplim i organiziranjem vaših uzoraka rada.

Opis

Brojevi u tekstu odnose se na dijagramove na stranicama 2 - 3.

1. Tipka za uključivanje/isključivanje
2. Baterija (nije isporučena)
3. Tipka za oslobađanje baterije
4. Oštrica
5. Štitnik
6. Prednja ručka
7. Sigurnosni prekidač
8. Zaštita u transportu

3. SASTAVLJANJE



Prije bilo kakvih radova na električnom alatu uklonite bateriju.



Bateriju treba napuniti prije prve upotrebe.

Postavljanje prednje ručke (sl. B)

1. Postavite prednju ručku (6) na uređaj (sl. B).
2. Učvrstite prednju ručku (6) zatezanjem vijka.

Postavljanje štitnika (sl. C)



Škare za živicu ne smiju se upotrebljavati ako štitnik nije postavljen.

1. Postavite štitnik (5) na uređaj (sl. C).
2. Učvrstite štitnik (5) zatezanjem vijka.

Umetanje akumulatora u stroj (sl. A,D)



Osigurajte da je vanjska strana akumulatora čista i suha prije spajanja na punjač ili stroj.

1. Umetnite akumulator (2) u podnožje stroja, kao što je prikazano na sl. D.
2. Gurnite akumulator prema naprijed dok ne sjedne na svoje mjesto.

Uklanjanje akumulatora iz stroja (sl. A,D)

1. Gurnite gumbe za odbravljanje akumulatora (3).
2. Izvucite akumulator iz stroja, kao što je prikazano na sl. D.

4. UPOTREBA



Prije upotrebe uvijek vizualno provjerite jesu li oštrice, vijci ili zakovice oštrice te sklop rezača istrošeni ili oštećeni.



Škare za živicu ne smiju se upotrebljavati ako štitnik nije postavljen.



Škare za živicu uvijek držite objema rukama i podalje od tijela.

Upotreba škara za živicu

- Iz sigurnosnih razloga i za najbolje rezultate pročitajte sljedeće savjete za korisnike i nemojte upotrebljavati ovaj proizvod u svrhe za koje nije predviđen.
- Ove škare za živicu predviđene su za obrezivanje živica i grmlja. Sve ostale primjene koje nisu izričito odobrene u ovom priručniku mogu dovesti do oštećenja škara za živicu ili ozljeda.

Uključivanje i isključivanje (sl. A)

- Da biste uključili škare za živicu, istovremeno pritisnite sigurnosni prekidač (7) i prekidač za pokretanje (1).
- Za isključivanje pustite jedan ili oba prekidača.

Podrezivanje živice - najbolji način

- Osim živica, ove škare mogu podrezivati i grmlje.
- Najbolji rezultati postižu se kada se oštrica drži pod kutom od oko 15°.
- S obje strane nalaze se noževi koji se rotiraju u suprotnim smjerovima, stoga živicu možete podrezivati u oba smjera.
- Bočne strane živice podrezuju se kretnjama odozdo prema gore.
- U idealnom slučaju, živica je šira u donjem dijelu nego u gornjem. To poboljšava propusnost za svjetlo i održava živicu zdravom. Ako je moguće, podrežite živicu s obje strane.
- Bočne strane živice podrezujte odozdo prema gore. Odrežani dijelovi živice tako vam neće smetati tijekom podrezivanja. Oštrica se ne smije gurati preduboko u živicu. Lagano podrezujte po površini živice.
- Gornji dio živice podrezujte kretnjama od tijela prema van, ali nemojte predaleko ispružati ruke. Mnogo je bolje polako hodati i rezati ono što vam je u doseg, stojeći cijelo vrijeme na objema nogama.

Siguran transport

Škare za živicu opremljene su štitnikom za zaštitu tijekom transporta (8) za sigurno prenošenje uređaja.

5. ODRŽAVANJE



Prije čišćenja i održavanja uvijek isključite stroj i odspojite akumulator iz stroja.

Redovito čistite kućište stroja mekom krpom, po mogućnosti nakon svake uporabe. Osigurajte se da otvori za ventilaciju ne sadrže prašinu i prljavštinu. Uklonite upornu prljavštinu mekom krpom, navlaženom sapunicom. Nemojte koristiti otapala poput benzina, alkohola, amonijaka itd. Takve kemikalije oštećuju sintetske komponente.

Oštrica

- Prilikom rukovanja reznom oštricom ili čišćenja oštrice uvijek nosite rukavice.
- Nakon svake upotrebe očistite oštricu i poprskajte je zaštitnim uljem. Tijekom duljeg rada preporučujemo redovito podmazivanje oštrice zaštitnim uljem.
- Vizualno provjerite stanje rezne oštrice. Provjerite jesu li svi vijci čvrsto postavljeni na šipci rezača.
- Provjerite je li postavljen štitnik oštrice.

Pohrana

Škare za živicu čuvajte na sigurnom i suhom mjestu izvan dohvata djece. Nemojte na njih stavljati druge predmete.

OKOLIŠ



Neispravan i/ili odbačen električni ili elektronički aparat potrebno je sakupljati na odgovarajućim mjestima za recikliranje.

Samo za zemlje Europske unije

Alate nemojte odlagati u kućanski otpad. Prema europskim smjernicama 2012/19/EU za otpadnu električnu i elektroničku opremu i njihovoj primjeni i državnom zakonodavstvu, radni alati koji se više ne koriste moraju se odvojeno sakupiti i odložiti na ekološki prihvatljiv način.

JAMSTVO

FERM proizvodi razvijeni su prema najvišim standardima te će zajamčeno biti bez kvarova u materijalima i izradi tijekom zakonski propisanog razdoblja od datuma kupnje. Ako se u tom razdoblju dogode bilo kakvi kvarovi proizvoda zbog pogrešaka u materijalu i/ ili izradi, obratite se izravno svom FERM dobavljaču.

Sljedeće okolnosti isključene su iz ovog jamstva:

- neovlašteni servisi pokušali su izvoditi popravke ili izmjene na uređaju;
- uobičajeno habanje i trošenje;
- alat je bio zloupotrebljavan ili nepravilno održavan;
- korišteni su neizvorni rezervni dijelovi.

Ovo predstavlja isključivo jamstvo koje pruža tvrtka, izričito ili implicirano. Ne pružaju se nikakva druga jamstva, izričita ili implicirana izvan ovdje navedenog obima, uključujući implicirana jamstva utrživosti ili prikladnosti za određene svrhe. FERM neće ni u kojem slučaju biti odgovoran ni za kakve slučajne ili posljedične štete. Pravni lijekovi dobavljača bit će ograničeni na popravak ili zamjenu neispravnih uređaja ili dijelova.

Proizvod i korisnički priručnik su podložni promjenama. Specifikacije se mogu promijeniti bez upozorenja.

ШПАЛЕРНЫЕ НОЖНИЦЫ НТМ1005

Благодарим вас за приобретение данного изделия Ferm. Теперь есть великолепный инструмент от одного из ведущих европейских поставщиков. Все изделия, которые поставляют вам Ferm, изготовлены в соответствии с высочайшими стандартами в отношении производительности и безопасности. Кроме того, мы предлагаем превосходное обслуживание заказчиков, которое поддерживается нашей комплексной гарантией - это часть нашей философии. Мы надеемся, что вы будете получать удовольствие от работы с этим инструментом в течение многих лет.

1. ПРЕДУПРЕЖДЕНИЯ ПО БЕЗОПАСНОМУ ИСПОЛЬЗОВАНИЮ



Прочтите прилагаемые предупреждения по безопасному использованию, дополнительные предупреждения и инструкции.

Несоблюдение предупреждений по безопасному использованию и инструкций может привести к поражению электрическим током, возгоранию и/или серьезной травме.

Сохраните предупреждения по безопасному использованию и инструкции для обращения к ним в будущем.

В руководстве или на изделии присутствуют следующие значки:



Прочитайте руководство пользователя.



Указывает на риск повреждения инструмента, травм или смерти в случае несоблюдения инструкций, приведенных в данном руководстве пользователя.



Опасность поражения электрическим током.



Опасность летящих предметов. Избегайте присутствия посторонних наблюдателей в зоне проведения работ.



Не используйте электроинструмент под дождем.



ОПАСНО! Держите руки подальше от ножа.



Надевайте защитные очки. Надевайте защитные наушники.



Надевайте защитные перчатки.



Перед очисткой и обслуживанием всегда отключайте электроинструмент и извлекайте аккумуляторную батарею.



Выбрасывайте изделие только в предназначенные для этого контейнеры.



Данное изделие соответствует применимым стандартам безопасности европейских директив.

ОБЩИЕ УКАЗАНИЯ ПО ТЕХНИКЕ БЕЗОПАСНОСТИ



ВНИМАНИЕ!

Внимательно прочтите все руководства по технике безопасности и инструкции. Несоблюдение указаний и инструкций по технике безопасности может стать причиной поражения электрическим током, пожара и/или тяжелых травм.

Сохраните эту инструкцию.

Термин «электроинструмент» во всех правилах, перечисленных ниже, относится к работающим от сети (со шнуром питания) электроинструментам или действующим от аккумулятора (без шнура питания) электроинструментам.

1) Рабочее место

- a) **Рабочее место должно быть чистым и хорошо освещённым.** *Загромождённые и недостаточно освещённые рабочие места способствуют травматизму.*
- b) **Не используйте электроинструменты во взрывоопасных условиях, например, вблизи легковоспламеняющихся жидкостей, газов или частиц.** *Во время работы электроинструмента возникают искры, которые могут вызвать воспламенение взрывоопасных частиц.*
- c) **Во время работы с электроинструментом дети и посторонние должны находиться на безопасном расстоянии.** *Отвлекаясь, вы можете потерять контроль над управлением.*

2) Электротехническая безопасность

- a) **Вилка электроинструмента должна точно соответствовать штепсельной розетке.** *Никогда не вносите изменения в конструкцию вилки. Не используйте переходные устройства для вилки, которые заземляют (замыкают на землю) электроинструменты. Не модифицированные вилки и точно соответствующие им штепсельные розетки уменьшают вероятность поражения электрическим током.*
- b) **Не допускайте контакта частей тела с заземлёнными или замкнутыми на землю поверхностями, например, с поверхностью труб, радиаторов, кухонных плит, холодильников.** *Существует повышенная опасность поражения электрическим током, если Ваше тело заземлено или замкнуто на землю.*
- c) **Не оставляйте электроинструменты под дождём или во влажных условиях.** *Вода, попавшая на электроинструмент, повышает вероятность поражения электрическим током.*
- d) **Не нарушайте режим эксплуатации сетевого шнура.** *Никогда не переносите электроинструмент, держа его за шнур, не дёргайте, и не тяните за шнур, чтобы отключить вилку от розетки. Защищайте шнур от источников тепла, масел, предметов с острыми краями или движущимися частями. Повреждённые или спутанные шнуры питания повышают*

вероятность поражения электрическим током.

- e) **Если электроинструмент используется вне помещений, применяйте только предназначенные для наружных работ удлинители.** *Применение шнуров питания, предназначенных для наружных работ, уменьшает вероятность поражения электрическим током.*
- f) **Если использование электроинструмента в условиях влажной окружающей среды неизбежно, необходимо использовать источник тока, защищенный устройством защитного отключения (УЗО)** *Применение УЗО снижает риск поражения электрическим током.*

3) Личная безопасность

- a) **Будьте внимательны, контролируйте свои действия и руководствуйтесь здравым смыслом при работе с электроинструментом.** *Не работайте с электроинструментом, если вы устали или находитесь под влиянием наркотиков, алкоголя или медицинских препаратов. Потеря внимания при работе с электроинструментом может привести к тяжёлым телесным повреждениям.*
- b) **Используйте средства индивидуальной защиты. Всегда носите защитные очки.** *Использование средств индивидуальной защиты, таких как защитная маска, обувь на нескользящей подошве, защитный шлем или средство защиты органов слуха, - в зависимости от условий работы, снижает риск получения травм.*
- c) **Принимайте меры в целях избежания непреднамеренного запуска.** *Перед подключением электроинструмента к электропитанию и/или к аккумуляторной батарее, когда берете устройство или при его транспортировке убедитесь, что электроинструмент находится в выключенном состоянии. Ношение инструмента с пальцем на выключателе опасно, и может привести к несчастному случаю.*
- d) **Убирайте регулировочные инструменты и гаечные ключи перед включением электроинструмента.** *Гаечный ключ или регулировочный инструмент, оставленные в*

- соединении с вращающимися деталями электроинструмента, могут привести к телесным повреждениям.
- e) **Не наклоняйтесь чрезмерно. Работайте в безопасной позиции и всё время сохраняйте равновесие.** Это обеспечит надлежащее управление электроинструментом при неожиданных ситуациях.
- f) **Одевайтесь надлежащим образом. Не надевайте просторную одежду и ювелирные изделия.** Сделайте так, чтобы ваши волосы, одежда и перчатки находились на достаточном расстоянии от движущихся частей. *Просторная одежда, ювелирные изделия и длинные волосы могут быть захвачены движущимися частями.*
- g) **В случае если предусмотрено подключение пылеулавливающего устройства убедитесь, что оно подсоединено и надёжно работает.** *Использование такого рода устройств уменьшает вред от воздействия пыли.*
- h) **Всегда сохраняйте бдительность и соблюдайте правила техники безопасности при работе с электроинструментом.** *Момент невнимательности может привести к серьезным травмам.*
- 4) **Использование электроинструмента и уход за ним**
- a) **Не перегружайте электроинструмент. Используйте электроинструмент только по назначению.** *Применение электроинструмента по назначению делает работу более эффективной и безопасной.*
- b) **Не используйте электроинструмент, если переключатель не устанавливается в положение Вкл. и Выкл.** *Все электроинструменты с вышедшими из строя переключателями представляют потенциальную опасность и должны быть отремонтированы.*
- c) **Перед проведением любых работ по наладке, замене принадлежностей или перед уборкой электроинструментов на хранение следует отключать вилку от источника питания.** *Эти превентивные меры безопасности уменьшают риск непреднамеренного включения электроинструмента.*
- d) **Храните неиспользуемые электроинструменты в недоступном для детей месте, и не доверяйте использование электроинструмента лицам, которые не знакомы с данным электроинструментом и с инструкцией по его применению.** *В руках необученных лиц электроинструменты представляют опасность.*
- e) **Проводите обслуживание электроинструментов.** Проверьте синхронность работы взаимодействующих деталей, наличие повреждённых деталей и прочие условия, которые могут повлиять на работу электроинструмента. **Отремонтируйте повреждённые электроинструменты перед использованием.** *Большое количество несчастных случаев вызвано плохим обслуживанием электроинструментов.*
- f) **Содержите режущий инструмент острым и чистым.** *Должным образом обслуживаемый режущий инструмент с острыми режущими частями в меньшей степени подвержен заклиниванию, им легче управлять.*
- g) **Используйте электроинструмент, принадлежности, вставные резцы и т.д., в соответствии с этой инструкцией и соответствующим образом для каждого вида электроинструментов, принимая во внимание условия работы и вид выполняемой работы.** *Использование электроинструмента не по назначению может привести к опасным ситуациям.*
- h) **Старайтесь, чтобы рукоятки и поверхности захватывания были чистыми, сухими и незагрязненными маслом или смазкой.** *Скользкие рукоятки и поверхности захватывания не позволяют обеспечить безопасность работы и управления инструментом в непредвиденных ситуациях.*
- 5) **Применение и уход за аккумуляторным инструментом**
- a) **Перезаряжайте только с помощью зарядного устройства, указанного изготовителем.** *Зарядное устройство, пригодное для одного типа аккумуляторных блоков, может быть пожароопасным при использовании с другим аккумуляторным блоком.*

- b) Пользуйтесь механизированным инструментом только со специально указанными аккумуляторными блоками. Использование любых других аккумуляторных блоков может привести к травмам и пожару.
- c) Когда аккумуляторный блок не используется, держите его подальше от других металлических предметов, например канцелярских скрепок, монет, ключей, гвоздей, винтов и других маленьких металлических предметов, которые могут создать соединение между двумя клеммами. Короткое замыкание клемм аккумулятора может привести к ожогам или пожару.
- d) В случае неправильного использования из аккумулятора может вылиться жидкость. Избегайте контакта с ней. Если контакт случайно произойдет, промойте это место водой. При попадании жидкости в глаза обратитесь за медицинской помощью. Жидкость, вылившаяся из аккумулятора, может вызвать раздражения и ожоги.
- e) Не используйте поврежденные или измененные аккумуляторные батареи или инструменты. Поврежденные или измененные аккумуляторные батареи могут работать непредсказуемо, что может привести к возгоранию, взрыву или риску получения травм.
- f) Не подвергайте аккумуляторные батареи или инструмент воздействию огня или повышенной температуры. Открытый огонь или воздействие высокой температуры выше 130 °C может привести к взрыву. ПРИМЕЧАНИЕ. Температура 130 °C может быть заменена на температуру 265 °F.
- g) Следуйте всем инструкциям по зарядке и не заряжайте аккумуляторную батарею или инструмент вне температурного диапазона, указанного в инструкции. Неправильная зарядка или зарядка вне указанного температурного диапазона может привести к повреждению аккумуляторной батареи и увеличить риск возгорания.
- 6) Обслуживание
- a) Обслуживание электроинструмента должно выполняться квалифицированным лицом с использованием только

оригинальных запасных частей. Это обеспечит сохранение безопасного использования электроинструмента.

- b) Не выполняйте обслуживание поврежденных аккумуляторных батарей. Обслуживание аккумуляторных батарей должно выполняться только производителем или авторизованными поставщиками услуг.

ДОПОЛНИТЕЛЬНЫЕ ПРАВИЛА ТЕХНИКИ БЕЗОПАСНОСТИ ДЛЯ ШПАЛЕРНЫХ НОЖНИЦ

- Содержите место проведения работ в чистоте и порядке.
- Всегда держите шпалерные ножницы надлежащим образом. Во время работы держите инструмент обеими руками.
- При работе на опоре убедитесь, что она стабильна и не может опрокинуться. Никогда не пытайтесь дотянуться до удаленных поверхностей.
- Не используйте электроинструмент под дождем или в условиях повышенной влажности. Не пользуйтесь электроинструментом, если имеется риск возгорания или взрыва, например, рядом с легковоспламеняющимися жидкостями или газами.
- Не позволяйте детям находиться в месте проведения работ.
- Не позволяйте детям или другим лицам касаться электроинструмента.
- Не оставляйте электроинструмент без присмотра.
- Храните инструмент в сухом, недоступном для детей месте.
- При работе всегда надевайте защитные очки и перчатки. Также рекомендуется использовать средства защиты слуха.
- Надевайте соответствующую одежду. Избегайте носить свободную одежду и ювелирные украшения, и убедитесь, что нет возможности контакта одежды с движущимися деталями.
- Если у вас длинные волосы, завяжите их сзади, чтобы предотвратить запутывание в движущихся деталях.
- Перед эксплуатацией электроинструмента, проверьте его на наличие поврежденных деталей. Если обнаружены повреждения,

обязательно замените детали на новые перед использованием инструмента.

- Не работайте с электроинструментом, когда вы устали или находитесь в состоянии алкогольного опьянения.
- Избегайте чрезмерной нагрузки. Позвольте инструменту работать с нагрузкой, на которую он рассчитан.
- Не пытайтесь дотянуться до удаленных поверхностей при работе — это может привести к потере равновесия.
- Никогда не используйте инструмент без установленного защитного кожуха. Защитный кожух должен всегда быть установлен.
- Используйте только запасные детали и насадки, поставляемые FERM. Использование деталей, кроме поставляемых или рекомендованных FERM, приведет к аннулированию гарантии и может представлять опасность.
- Используйте устройство только по назначению, а именно для подрезания живых изгородей и кустов.



Помните, что самое главное — безопасность!



Опасно!

- a) Держите любые части тела на расстоянии от ножей инструмента. Не убирайте срезанные ветки и не держите срезаемые ветки во время движения ножей. Ножи продолжают движение после выключения электродвигателя. Невнимательность при работе со шпалерными ножницами может привести к серьезным травмам.
- b) Переносите шпалерные ножницы, удерживая их за рукоятку с остановленными ножами и следите за тем, чтобы случайно не нажать на переключатели. При правильной переноске шпалерных ножниц риск непреднамеренного пуска и, как следствие, получения травм от ножей, снижается.
- c) При транспортировке или хранении шпалерных ножниц, надевайте на ножи чехол. При правильной эксплуатации шпалерных ножниц, риск получения травм от ножей снижается.
- d) Перед очисткой инструмента от застрявшего материала или проведением технического обслуживания убедитесь, что все выключатели питания выключены, а кабель питания отсоединен. Непреднамеренный пуск шпалерных ножниц при удалении замятого материала или во время обслуживания может привести к серьезной травме.
- e) Удерживайте шпалерные ножницы только за изолированные поверхности захватывания, так как существует вероятность контакта реза со скрытой электропроводкой или собственным кабелем питания. Если вы держитесь за металлические детали шпалерных ножниц, в случае соприкосновения с находящимся под напряжением проводом возможно поражение оператора электрическим током.
- f) Следите за тем, чтобы в месте проведения работ не находились провода и кабели. Шнуры или кабели питания могут быть спрятаны в жилых изгородях или кустах и могут быть случайно срезаны ножом.
- g) Не используйте шпалерные ножницы в плохих погодных условиях, особенно в случае опасности удара молнии. Это уменьшает риск удара молнии.
- h) Регулярно проверяйте и выполняйте обслуживание шпалерных ножниц. Ремонт шпалерных ножниц должен производиться только авторизованным специалистом по ремонту.
- i) Всегда держите руки и ноги на безопасном расстоянии от области разреза.
- j) Всегда держите шпалерные ножницы на безопасном расстоянии от себя.
- k) Всегда надевайте защитные очки.
- l) Всегда надевайте перчатки.
- m) Работайте со шпалерными ножницами только днем.
- n) **Всегда проверяйте, что вентиляционные отверстия свободны от загрязнений.**
- o) Убедитесь, что на расстоянии 5 метров от места проведения работ нет людей или животных.

ДОПОЛНИТЕЛЬНЫЕ ПРАВИЛА ТЕХНИКИ БЕЗОПАСНОСТИ ДЛЯ БЕСПРОВОДНЫХ ШПАЛЕРНЫХ НОЖНИЦ

- Не заряжайте шпалерные ножницы под дождем или во влажных местах.
- Не используйте аккумуляторные шпалерные ножницы под дождем.
- Перед выполнением технического обслуживания, очисткой и удалением заторов обязательно извлекайте из шпалерных ножниц батарею.
- Не сжигайте отработавшие батареи. Возможен взрыв батареи. Утилизируйте батареи в соответствии местными нормами и правилами.

2. ИНФОРМАЦИЯ ОБ УСТРОЙСТВЕ

Назначение

Данные шпалерные ножницы предназначены только для обрезки веток кустарников, кустов, декоративных растений и живой изгороди.

ТЕХНИЧЕСКИЕ СПЕЦИФИКАЦИИ

№ модели	HTM1005
Номинальное напряжение	20 В 
Скорость без нагрузки	1,200/мин.
Длина пиления	450 мм
Ширина пиления	14 мм
Вес	1,98 кг
Уровень звукового давления LPA	81,3 дБ (A), KpA = 3 дБ (A)
Уровень звуковой мощности LWA	92,9 дБ (A), KwA = 3 дБ (A)
Значение вибрации:	
Передняя рукоятка Ah	2,459 м/с ² , K = 1,5 м/с ²
Задняя рукоятка Ah	1,754 м/с ² , K = 1,5 м/с ²

Используйте только следующие батареи аккумуляторной платформы FX-POWER 20V. Использование любых других батарей может привести к серьезным травмам или повреждению инструмента.

CDA1167 20B, 2 Ач литий-ионный
CDA1168 20B, 4 Ач литий-ионный

Для зарядки этих аккумуляторов можно использовать следующее зарядное устройство.

CDA1169 Адаптер зарядного устройства
CDA1170 Быстрое зарядное устройство

Батареи аккумуляторной платформы FX-POWER 20V взаимозаменяемы и подходят для всех инструментов аккумуляторной платформы FERM FX-POWER.

Уровень вибрации

Уровень вибрации, указанный в данном руководстве, был измерен в соответствии со стандартизированным испытанием, приведенным в EN 62841; он может быть использован для сравнения одного инструмента с другим, а также для предварительной оценки воздействия вибрации при использовании данного инструмента для указанных целей.

- Применение инструмента для других целей, а также использование принадлежностей в плохом состоянии может значительно увеличить уровень вибрации.
- При выключении устройства, а также работе в холостом режиме уровень вибрации значительно уменьшается.

Для защиты от вибрации поддерживайте инструмент и принадлежности в хорошем состоянии, не давайте рукам мерзнуть и организуйте режим работы.

Описание

Цифры в тексте относятся к схемам на страницах 2 - 3.

1. Выключатель
2. Батарея (не входит в комплект)
3. Кнопка разблокировки батареи
4. Режущий нож
5. Защитный кожух
6. Передняя рукоятка
7. Предохранитель
8. Чехол для транспортировки

3. СБОРКА



Перед обслуживанием электроинструмента всегда извлекайте батарею.



Перед первым использованием батарею необходимо зарядить.

Установка передней рукоятки (рис. В)

1. Установите переднюю рукоятку (6) на инструмент, как показано на рисунке В.
2. Закрепите переднюю рукоятку (6) на месте, затянув винт.

Установка защитного кожуха (рис. С)



Не используйте шпалерные ножницы без установленного защитного кожуха.

1. Установите защитный кожух (5) на инструмент, как показано на рисунке С.
2. Закрепите защитный кожух (5) на месте, затянув винт.

Установка аккумуляторной батареи на инструмент (рис. А, D)



Перед тем как установить аккумуляторную батарею на инструмент убедитесь в том, что она чистая и сухая.

1. Вставьте аккумулятор (2) в основание инструмента, как показано на изображении D.
2. Сдвиньте аккумулятор вперед до щелчка.

Снятие аккумуляторной батареи с инструмента (рис. А, D)

1. Нажмите кнопку фиксации аккумулятора (3).
2. Вытащите аккумулятор из электроинструмента, как показано на изображении D.

4. ЭКСПЛУАТАЦИЯ



Перед эксплуатацией выполняйте визуальный осмотр ножей, болтов крепления ножей и режущего узла на предмет износа и повреждений.



Не используйте шпалерные ножницы без установленного защитного кожуха.



Всегда держите шпалерные ножницы обеими руками на безопасном расстоянии от себя.

Использование шпалерных ножниц

- В целях безопасности и для достижения наилучших результатов прочитайте следующие советы для пользователя и используйте инструмент только для тех работ, для которых он предназначен.
- Данные шпалерные ножницы предназначены для подрезки живых изгородей и кустов. Использование шпалерных ножниц в целях, отличных от описанных в данном руководстве, может привести к повреждению шпалерных ножниц или к травме пользователя.

Включение и выключение (рис. А)

- Чтобы включить инструмент, нажмите на предохранитель (7) и выключатель (1) одновременно.
- Чтобы выключить инструмент, отпустите один или оба переключателя.

Лучший метод подрезания живой изгороди

- Шпалерные ножницы можно использовать для подрезания кустов.
- Наилучшие результаты подрезания достигаются, держа нож под углом примерно 15°.
- Вращающиеся в разные стороны ножи режут с обеих сторон, что позволяет подрезать живую изгородь с двух направлений.
- Подрезайте стороны живой изгороди изогнутыми движениями снизу вверх.
- В идеале нижняя часть живой изгороди должна быть шире верхней. Это обеспечит лучший доступ свету, поддерживая здоровое состояние живой изгороди. По возможности подрезайте обе стороны живой изгороди.
- При подрезании сторон двигайтесь в направлении снизу вверх. Таким образом подрезанию не будут препятствовать срезанные ветви. Не прилагайте

чрезмерное усилие при подрезании. Подрезайте живую изгородь, легко прислоняя инструмент к поверхности.

- При подрезании верхней части живой изгороди, режьте от себя, но не пытайтесь дотянуться до слишком удаленных поверхностей. Для обеспечения безопасности всегда твердо стойте на ногах и подрезайте близкие к вам части, постепенно перемещаясь в ходе работы.

Безопасная транспортировка

Шпалерные ножницы оснащены чехлом (8) для безопасной транспортировки инструмента.

5. ОБСЛУЖИВАНИЕ



Перед очисткой и обслуживанием всегда отключайте электроинструмент и извлекайте аккумуляторную батарею.

Регулярно очищайте корпус

электроинструмента мягкой тряпкой, желательно, после каждого использования. Убедитесь, что вентиляционные отверстия чисты от пыли и грязи. Для удаления особо сильных загрязнений используйте мягкую тряпку с мыльной пеной. Не используйте растворители, такие как бензин, спирт, аммиак и т. д. Химические вещества повредят синтетические компоненты.

ОКРУЖАЮЩАЯ СРЕДА



Неисправные электрические и электронные изделия необходимо сдавать в соответствующие пункты утилизации.

Только для стран ЕС

Не выбрасывайте электроинструменты в обычные мусорные корзины. В соответствии с Европейской директивой 2012/19/ЕС об утилизации отработанного электрического и электронного оборудования и ее реализации в государственном законодательстве электроинструменты, которые больше не могут использоваться по назначению

необходимо подвергать утилизации дружественным по отношению к окружающей среде способом.

ГАРАНТИЯ

Продукция FERM разработана в соответствии с высочайшими стандартами качества и гарантирует отсутствие дефектов как в материалах, так и в производстве на период, зафиксированный законом с даты первоначальной покупки. Если в рамках данного периода времени обнаружится неисправность, связанная с дефектным материалом и/или дефектом сборки, незамедлительно свяжитесь с дилером компании FERM.

Гарантийные обязательства аннулируются в следующих случаях:

- Были выполнены или были предприняты попытки ремонтных работ или модификаций несанкционированными сервисными центрами.
- Стандартный износ.
- С инструментом небрежно обращались, использовали не по назначению или не проводили корректное техобслуживание.
- Использовали неоригинальные запасные части.

Это единственная гарантия компании как в прямом, так и в косвенном выражении. Другие гарантии отсутствуют как в прямом, так и в косвенном выражении за пределами лицевой стороны настоящего документа, в том числе косвенные гарантии коммерческой ценности и пригодности для определенной цели. Компания FERM не несет ответственности за любые случайные или косвенные убытки. Действия дилера ограничены ремонтом или заменой несоответствующих единиц и частей.

В изделие и руководство пользователя могут быть внесены изменения. Спецификации могут быть изменены без предварительного оповещения.

تحذيرات السلامة العامة للأداة الكهربائية

ماكينة تشذيب الأشجار
HTM1005

تحذير اقرأ جميع تحذيرات السلامة وجميع التعليمات. قد يؤدي التصغير في اتباع التحذيرات والتعليمات إلى حدوث صدمة كهربائية و/أو حرق و/أو إصابة شخصية.

شكراً لك على شراء منتج Ferm هذا. وقيامك بعملية الشراء هذه، تمتلك الآن منتجاً ممتازاً مقدماً من إحدى شركات التوريد الرائدة في أوروبا. فقد تم تصنيع جميع المنتجات التي تقدمها إليك شركة Ferm، وفقاً لأعلى معايير الأداء والسلامة. وكجزء من فلسفتنا، نقدم أيضاً خدمة عملاء ممتازة مدعومة بضمان شامل. نأمل أن تستمتع باستخدام هذا المنتج لسنوات عديدة قادمة.

احتفظ بجميع التحذيرات والتعليمات من أجل الرجوع إليها في المستقبل.

يشير مصطلح «الأداة الكهربائية» في التحذيرات إلى الأداة الكهربائية التي تعمل بالتيار الرئيسي (سلكية) أو الأداة الكهربائية التي تعمل بالبطارية (لاسلكية).

1 سلامة منطقة العمل

- (a) حافظ على نظافة منطقة العمل وإصابتها جيداً. فإن المناطق التي تعميها الفوضى أو المظلمة تساعد في وقوع الحوادث.
- (b) لا تقم بتشغيل الأدوات الكهربائية في الأجواء القابلة للاشتعال، كما هو الحال في وجود السوائل أو الغازات أو الغبار القابل للاشتعال. فالأدوات الكهربائية تثنى شرراً قد يشعل الغبار أو الأبخرة.
- (c) ابعاد الأطفال والواقفين بجوارك أثناء تشغيل الأداة الكهربائية. فحالات الارتباك قد تؤدي إلى فقدانك السيطرة.

1. تعليمات السلامة

اقرأ تحذيرات السلامة المرفقة، وتحذيرات السلامة الإضافية، والتعليمات. فإن التصغير في اتباع تحذيرات السلامة والتعليمات قد يؤدي إلى حدوث صدمة كهربائية و/أو نشوب حريق و/أو وقوع إصابة خطيرة. احتفظ بتحذيرات السلامة والتعليمات من أجل الرجوع إليها في المستقبل.



يتم استخدام الرموز التالية في دليل المستخدم أو على المنتج:

اقرأ دليل المستخدم.



يشير إلى خطر الإصابة الشخصية أو فقدان الحياة أو تلف الأداة، في حالة عدم مراعاة التعليمات الواردة في هذا الدليل.



خطر الأشياء المتطايرة. ابعاد الواقفين بجوارك بعيداً عن منطقة العمل.



لا تعرض المنتج للمطر.



خطراً! ابعاد اليدين عن الشفرة.



ارتد نظارات السلامة. ارتد واقي السمع.



ارتد قفازات السلامة.



قبل التنظيف والصيانة، قم دائماً بإيقاف تشغيل الآلة وإزالة البطارية من الماكينة.



لا تتخلص من المنتجات في حاويات غير مناسبة.



يتوافق المنتج مع معايير السلامة المعمول بها والواردة في التوجيهات الأوروبية.



2 السلامة الكهربائية

- (a) يجب أن تتوافق قوايس الأدوات الكهربائية مع مأخذ التيار. لا تقم أبداً بتعديل القابس بأي طريقة. لا تستخدم قوايس أي مهايئ مع الأدوات الكهربائية المورضة (المتصلة بالأرضية). فستعمل القوايس غير المعدلة ومأخذ التيار المتوافقة على الحد من خطر الصدمة الكهربائية.
- (b) تجنب تلامس الجسم مع الأسطح المورضة أو المتصلة بالأرضية، مثل الأنابيب والرادياتيرات والنطاقات والثلاجات. فهناك خطر متزايد لحدوث صدمة كهربائية في حالة تأريض جسمك أو اتصاله بالأرضية.
- (c) لا تعرّض الأدوات الكهربائية للمطر أو الظروف الرطبة. فإن المياه التي تدخل الأداة الكهربائية ستؤدي إلى زيادة خطر حدوث الصدمة الكهربائية.
- (d) لا تسيء استخدام السلك. لا تستخدم أبداً السلك لحمل الأداة الكهربائية أو سحبها أو فصلها عن مصدر الطاقة. احتفظ بالسلك بعيداً عن الحرارة أو الزيت أو الحواف الحادة أو الأجزاء المتحركة. فستؤدي الأسلاك التالفة أو المتشابكة إلى زيادة خطر حدوث الصدمة الكهربائية.
- (e) عند تشغيل الأداة الكهربائية في الهواء الطلق، استخدم سلك إطالة مناسباً للاستخدام في الهواء الطلق. فإن استخدام سلك مناسب للاستخدام في الهواء الطلق يحد من خطر حدوث الصدمة الكهربائية.
- (f) في حالة عدم تجنب تشغيل أداة كهربائية في موقع رطب، فاستخدم مصدر إمداد محمي بجهاز قاطع الدورة (DCR). فإن استخدام جهاز قاطع الدورة يقلل من خطر الصدمة الكهربائية.

3 السلامة الشخصية

- (a) ابق متيقظاً وشاهد ما تقوم به واستعن بالحس السليم عند تشغيل الأداة الكهربائية. لا تستخدم الأداة الكهربائية عندما تكون متعباً أو تحت تأثير المخدرات أو الكحول أو الأدوية. فإن لحظة الغفلة أثناء تشغيل الأدوات الكهربائية قد تؤدي إلى إصابة شخصية بالغة.

- تنفيذه.** فإن استخدام الأداة الكهربائية لعمليات غير تلك المخصصة لها قد يؤدي إلى موقف خطير.
- (h) حافظ على جفاف ونظافة المقابض وأسطح المسك من الزيوت والشحوم.** لا تسمح المقابض وأسطح المسك الزلقة بالتعامل والسيطرة الآمنين على الأداة في المواقف غير المتوقعة.
- (5) استخدام أداة البطارية والعناية بها**
- (a) لا تقم بالشحن إلا باستخدام الشاحن المحدد من قبل الشركة المصنعة.** فقد يؤدي شاحن مناسب لأحد أنواع حزمة البطارية إلى حدوث خطر الحريق عند استخدامه مع حزمة بطارية أخرى.
- (b) لا تستخدم الأدوات الكهربائية إلا مع حزم البطاريات المصممة خصيصاً لها.** فقد يؤدي استخدام أي حزم بطاريات أخرى إلى حدوث خطر الإصابة والحريق.
- (c) في حالة عدم استخدام حزمة البطارية، فاحتفظ بها بعيداً عن الأشياء المعدنية الأخرى، مثل مشابك الورق أو العملات المعدنية أو المفاتيح أو الأظفار أو البراغى أو الأشياء المعدنية الصغيرة الأخرى التي يمكنها إجراء اتصال من طرف لآخر.** فقد يؤدي تقصير طرفي البطارية معاً إلى حدوث حروق أو اندلاع حريق.
- (d) في ظل ظروف إساءة الاستخدام، قد يتم إخراج السائل من البطارية، فتجنب ملامستها.** وإذا حدثت الملامسة بطريق الخطأ، فغسل بالمياه المتدفقة. في حالة ملامسة السائل للعينين، فاطلب المساعدة الطبية بالإضافة إلى الخطوة السابقة. فقد يؤدي السائل الخارج من البطارية إلى تهيج أو حروق بالعينين.
- (e) لا تستخدم بطارية أو أداة تالفة أو معذلة.** يمكن أن تصدر على البطاريات التالفة أو المعذلة سلوكيات غير متوقعة، بما قد يؤدي إلى نشوب حريق أو انفجار أو التعرض لخطر الإصابة.
- (f) لا تعرض البطارية أو الأداة للحرارة أو درجات الحرارة المفرطة.** يمكن أن يؤدي التعرض للحرارة أو لدرجات الحرارة التي تتجاوز ٠٣١ درجة مئوية إلى الانفجار.
- ملاحظة:** يمكن استبدال درجة الحرارة "٠٣١ درجة مئوية" واستخدام درجة الحرارة "٥٦٢ درجة فهرنهايت" بدلاً منها.
- (g) التزام بكل تعليمات الشحن ولا تقم بشحن البطارية أو الأداة خارج نطاق درجات الحرارة المحددة في التعليمات.** يمكن أن يؤدي الشحن بطريقة غير صحيحة أو في درجات حرارة خارج النطاق المحدد إلى إتلاف البطارية وزيادة خطر نشوب الحريق.
- (6) الخدمة**
- (a) لا تقم بصيانة الأداة الكهربائية إلا لدى فني إصلاح مؤهل** وباستخدام قطع الغيار المطابقة فقط. فسيضمن هذا الحفاظ على سلامة الأداة الكهربائية.
- (b) لا تقم على الإطلاق بصيانة البطاريات التالفة.** يجب ألا تتم صيانة البطاريات إلا من خلال الشركة المصنعة أو موفري الخدمة المعتمدين فقط.
- تحذيرات السلامة الإضافية لماكينته تشذيب الأشجار**
- حافظ على نظافة وترتيب المنطقة التي تعمل بها.
 - امسك ماكينة التشذيب بطريقة صحيحة دائماً. عند تشغيلها بكلتا يديك.
 - إذا كنت تستخدم وسيلة داعمة لرفعك عن الأرض، فتأكد من أنها مستقرة ولا يمكن سقوطها - ولا تتألق في الارتفاع في أي وقت.
 - لا تستخدم الأدوات الكهربائية أثناء هطول المطر أو في البيئات الرطبة. لا تستخدم الأدوات الكهربائية حيث يوجد خطر نشوب
- (b) استخدم معدات الوقاية الشخصية.** ارتد واقى العينين دائماً. فإن المعدات الوقائية، مثل قناع الغبار أو أحمية السلامة غير الزلقة أو القفعة الصلبة أو واقى السمع، التي يتم استخدامها في الظروف الملائمة ستقلل من حدوث الإصابات الشخصية.
- (c) منع بدء التشغيل غير المقصود.** تأكد من وجود المفتاح في وضع إيقاف التشغيل قبل التوصيل بمصدر الطاقة و/أو حزمة البطارية أو والتقاط الأداة أو حملها. فإن حمل الأدوات الكهربائية مع وضع إصبعك على المفتاح أو الأدوات الكهربائية المزودة بالطاقة التي بها المفتاح في وضع التشغيل يؤدي إلى وقوع الحوادث.
- (d) قم بإزالة أي مفتاح ربط أو مفتاح ضبط قبل تشغيل الأداة الكهربائية.** فإن مفتاح الربط أو المفتاح الذي يُترك متصلاً بجزم دوار من الأداة الكهربائية قد يؤدي إلى إصابة شخصية.
- (e) لا تتجاوز الحدود. حافظ على موطئ القدم والتوازن الصحيحين في جميع الأوقات.** فإن هذا يتيح إمكانية التحكم بشكل أفضل في الأداة الكهربائية في المواقف غير المتوقعة.
- (f) ارتد الملابس بطريقة صحيحة.** لا ترتدي مجوهرات أو ملابساً فضفاضة. حافظ على شعرك وملابسك وقفازك بعيداً عن الأجزاء المتحركة. فإن الملابس الفضفاضة أو المجوهرات أو الشعر الطويل قد يعلق بالأجزاء المتحركة.
- (g) إذا تم توفير أجهزة لتوصيل أدوات استخراج الغبار وتجميعه، فتأكد من توصيلها واستخدامها بشكل صحيح.** فإن استخدام تجميع الغبار قد يقلل من المخاطر المرتبطة بالغبار.
- (h) لا تدع التعود على الاستخدام المتكرر للأدوات يجعلك تتساهل بحيث تتجاهل مبادئ السلامة الخاصة بالأداة.** فأي إجراء بدون مبالاة يمكن أن يسبب إصابة خطيرة خلال جزء من الثانية.
- (4) استخدام الأداة الكهربائية والعناية بها**
- (a) لا تضغط على الأداة الكهربائية.** استخدم الأداة الكهربائية المناسبة لتطبيقك. فإن الأداة الكهربائية المناسبة ستؤدي المهمة بشكل أفضل وأكثر أماناً وبالمعدل الذي صُممت له.
- (b) لا تستخدم الأداة الكهربائية في حالة عدم قيام المفتاح بتشغيلها أو إيقاف تشغيلها.** فإن أي أداة كهربائية لا يمكن فيها باستخدام المفتاح تشغيل وإيقاف يجب إصلاحها.
- (c) أفضل القابض عن مصدر الطاقة و/أو حزمة البطارية عن الأداة الكهربائية قبل إجراء أي عمليات ضبط أو تغيير الملحقات أو تخزين الأدوات الكهربائية.** فإن إجراءات السلامة الوقائية تحد من خطر بدء تشغيل الأداة الكهربائية بشكل مفاجئ.
- (d) قم بتخزين الأدوات الكهربائية الخاملة بعيداً عن متناول الأطفال، ولا تسمح لأي شخص ليسوا على دراية بالأداة الكهربائية أو هذه التعليمات بتشغيل هذه الأداة الكهربائية.** فإن الأدوات الكهربائية تشكل خطراً في أيدي المستخدمين غير المدربين.
- (e) قم بصيانة الأدوات الكهربائية.** قم بالفحص بحثاً عن اختلال محاذاة أو التصاق الأجزاء المتحركة، وانكسار الأجزاء، وأي حالة أخرى قد تؤثر في تشغيل الأداة الكهربائية. في حالة تلف الأداة الكهربائية، فقم بإصلاحها قبل الاستخدام. فإن العديد من الحوادث تتسبب عن الأدوات الكهربائية المصانة بشكل ضعيف.
- (f) حافظ على حدة أدوات القطع ونظافتها.** فإن أدوات القطع المصانة بطريقة صحيحة وذات حواف القطع الحادة يقل احتمال التصاقها ويسهل التحكم فيها بشكل أكبر.
- (g) استخدم الأداة الكهربائية، والملحقات، ولقمت الأدوات وغيرها وفقاً لهذه التعليمات، مع مراعاة ظروف العمل والعمل المراد**

- حريق أو انفجار - أي بالقرب من السوائل أو الغازات القابلة للاشتعال.
- لا تسمح للأطفال بالدخول إلى المنطقة التي تعمل فيها.
 - لا تدع الأطفال أو الأشخاص الآخرين يلمسون الأدوات الكهربائية.
 - لا تترك الأداة الكهربائية دون رقابة.
 - احفظ بالأداة الكهربائية في مكان جاف بعيدًا عن متناول الأطفال.
 - استخدم دائمًا نظارات وقفات الأمان، نوصي أيضًا باستخدام واقيات الأذن.
 - ارتد الملابس المناسبة - وليست الملابس الفضفاضة أو المجوهرات وتأكد من عدم ملامسة الملابس للأجزاء المتحركة.
 - إذا كان شعرك طويلًا، فاحكم ربطه للخلف لتجنب تشابكه مع الأجزاء المتحركة.
 - قبل استخدام أي أداة كهربائية، تحقق أولاً من عدم وجود أجزاء تالفة، وإن كانت هناك أي أجزاء تالفة، فلا تستخدم الأداة الكهربائية قبل استبدال الجزء أو الأجزاء التالفة بأخرى جديدة.
 - لا تستخدم الأدوات الكهربائية حينما تكون متعبًا أو تحت تأثير الكحول.
 - لا تستخدم القوة مع الجهاز - ودعه يعمل بالمعدل المصمم لأجله.
 - لا يتعالج في الارتفاع أثناء العمل - فقد تفقد توازنك.
 - لا تستخدم هذا الجهاز أبدًا دون تركيب واقي الشفرة. لأننا يجب أن نظل مُركبة دائمًا.
 - لا تستخدم سوى قطع الغيار والمرفقات المقدمة من شركة FERM. قد يتسبب استخدام أي مرفقات أخرى غير تلك المقدمة أو الموصى بها من شركة FERM في إبطال الضمان الخاص بك وقد تكون خطيرة.
 - استخدم هذا الجهاز فقط للغرض المخصص له وهو تشذيب الأشجار والأعشاب.

وقبل كل شيء توخ الحذر!



خطر!



- (أ) أبعد جميع أجزاء الجسم عن نصل الشفرة. لا تقم بإزالة الشجيرات المقطوعة أو الإمساك بالشجيرات المراد قطعها أثناء تحرك الشفرات، تستمر الشفرات في التحرك بعد إيقاف تشغيل المفتاح. فإن أي لحظة غفلة أثناء تشغيل ماكينة تشذيب الأشجار قد تتسبب في وقوع إصابة شخصية بالغة.
- (ب) احمل ماكينة تشذيب الشجيرات من المقبض مع توقف الشفرة واحرص على عدم تشغيل أي من مفاتيح الطاقة. سيقل الحمل الصحيح لماكينة تشذيب الأشجار من مخاطر التشغيل غير المقصود ووقوع أي إصابة شخصية بسبب الشفرات.
- (ج) عند نقل ماكينة تشذيب الأشجار أو تخزينها، قم دائمًا بتركيب غطاء الشفرة. سيقل التعامل الصحيح مع ماكينة تشذيب الأشجار من مخاطر وقوع أي إصابة شخصية بسبب الشفرات.
- (د) عند إزالة الأعشاب المحشورة أو صيانة الماكينة، تأكد من إيقاف تشغيل جميع مفاتيح الطاقة وفصل سلك الطاقة. قد يتسبب التشغيل غير المقصود لماكينة تشذيب الأشجار أثناء إزالة الأعشاب المحشورة أو القيام بأعمال الصيانة في وقوع إصابات شخصية بالغة.
- (هـ) لا تمسك ماكينة تشذيب الأشجار إلا من خلال مقابض معزولة السطح، لأن الشفرة قد تلامس الأسلاك المخفية أو سلك الماكينة

- نفسها. لأن الشفرات الملامسة لسلك "مكهرب" قد تؤدي إلى "كهربة" الأجزاء المعدنية المكشوفة للماكينة، وقد يتسبب ذلك في إصابة المُشغل بصدمة كهربائية.
- (و) ابدأ جميع أسلاك الكهرباء والكابلات عن منطقة القطع. قد تكون هناك أسلاك كهربائية أو كبلات مخفية بين الأشجار أو الشجيرات وقد تقطعها الشفرة بدون قصد.
- (ز) لا تستخدم ماكينة التشذيب في ظروف الطقس السيئة خاصة حينما تكون هناك مخاطر من صعقات البرق. وهذا سيقلل من مخاطر التعرض لصعقات البرق.
- (ح) قم بفحص ماكينة التشذيب وصيانتها بصورة منتظمة. لا تسمح لأي شخص بخلاف الجهة المعتمدة بإصلاح ماكينة التشذيب.
- (ط) ابدأ البيدين والقدمين عن منطقة القطع في جميع الأوقات.
- (ي) امسك أداة التشذيب دائمًا على مسافة آمنة من الجسم.
- (ك) ارتد دائمًا النظارات الواقية.
- (ل) ارتد دائمًا القفازات.
- (م) استخدم ماكينة التشذيب خلال وضغ النهار فقط.
- (ن) تأكد من خلوفتحات التهوية من أي حطام في جميع الأوقات.
- (س) تأكد من عدم وجود أشخاص أو حيوانات على بُعد 5 أمتار من منطقة التشذيب.

تحذيرات السلامة الإضافية لماكينة تشذيب الأشجار اللاسلكية

- لا تتشحن ماكينة تشذيب الأشجار أثناء هطول الأمطار أو في الأماكن الرطبة.
- لا تستخدم ماكينة تشذيب الأشجار التي تعمل بالبطارية أثناء هطول الأمطار.
- قم بإزالة البطارية أو فصلها قبل إجراء أعمال الصيانة أو التنظيف أو إزالة المواد العالقة في ماكينة تشذيب الأشجار.
- لا تتخلص من البطارية (البطاريات) بإلقائها في النار. لأن الخلية قد تنفجر. تحقق من القوانين المحلية لمعرفة التعليمات المحتملة الخاصة بماكنة التخلص من البطارية.

2. معلومات الآلة

الاستخدام المقصود

صُممت ماكينة تشذيب الأشجار بغرض قطع فروع الأشجار والشجيرات ونباتات الزينة.

المواصفات الفنية

رقم الطراز	HTM1005
القولنيتية المقدرة	20 فولت
السرعة بدون حمل	1,200/الدقيقة
طول القطع	450 مم
عرض القطع	14 مم
الوزن	1.98 كجم
مستوى ضغط الصوت LPA	81.3 ديسيبل (أ)، 3=Apk ديسيبل (ب)
مستوى قوة الصوت LWA	92.9 ديسيبل (أ)، 3=Awk ديسيبل (ب)
قيم الاهتزاز:	
المقبض الأمامي	2.459 م/ث، 1.5=K م/ث2
المقبض الخلفي	1.754 م/ث، 1.5=K م/ث2

استخدم البطاريات التالية فقط من منصة بطاريات FX-POWER 20V. يمكن أن يؤدي استخدام أي بطاريات أخرى إلى إصابات خطيرة أو تلف للأداة.

CDA1167 ليثيوم أيون 20 فولت، 2 أمبير ساعة
CDA1168 ليثيوم أيون 20 فولت، 4 أمبير ساعة

يمكن استخدام الشاحن التالي لشحن هذه البطاريات.
مهايي الشاحن CDA1169
شاحن CDA1170 السريع

تعد البطاريات الموجودة في منصة البطاريات 20V FX-POWER بطاريات قابلة للتبديل مزودة بجميع أدوات منصة البطاريات FERM FX-POWER.

مستوى الاهتزاز

لقد تم قياس مستوى انبعاث الاهتزاز المذكور في دليل التعليمات هذا وفقاً لاختبار معياري وارد في EN 62841، ويمكن استخدامه لمقارنة أداة واحدة مع أخرى وكنتيجة لتقييم أولي للتعرض للاهتزاز عند استخدام الأداة في التطبيقات المذكورة.

- إن استخدام الأداة في تطبيقات مختلفة، أو مع ملحقات مختلفة أو صيانتها بصورة سيئة، قد يزيد بشكل كبير من مستوى التعرض.
- الأوقات التي يتم خلالها إيقاف تشغيل الأداة أو عند تشغيلها ولكن دون أداء المهمة بالفعل قد تقل بشكل كبير من مستوى التعرض.

احم نفسك من آثار الاهتزاز من خلال صيانة الأداة وملحقاتها، والحفاظ على دفة يدك، وتنظيم أنماط العمل الخاص بك.

الوصف

تشير الأرقام الواردة في النص إلى الأشكال الموجودة في الصفحات 2-3.

1. زر التشغيل/الإيقاف
2. البطارية (غير مضمنة)
3. زر إلغاء قفل البطارية
4. شفرة القطع
5. واقي الحماية
6. المقبض الأمامي
7. مفتاح السلامة
8. حماية النقل

3. التجميع

قبل القيام بأي عمل في الأداة الكهربائية، أزل البطارية.

يجب شحن البطارية قبل أول استخدام.



تركيب المقبض الأمامي (الشكل ب)

1. ضع المقبض الأمامي (6) على الماكينة، على النحو الموضح في الشكل ب.
2. قم بتركيب المقبض الأمامي (6) بإحكام ربط البرغي.

تركيب واقي الحماية (الشكل ج)

لا تحاول استخدام ماكينة تشذيب الأشجار دون ارتداء واقي الحماية.



1. ضع واقي الحماية (5) على الماكينة، على النحو الموضح في الشكل ج.
2. قم بتركيب واقي الحماية (5) بإحكام ربط البرغي.

تركيب البطارية في الآلة (الشكلين أ - د)

تأكد من نظافة وجفاف الجانب الخارجي للبطارية قبل توصيلها بالشاحن أو الآلة.



1. ادخل البطارية (2) في قاعدة الآلة، على النحو الموضح في الشكل د.
2. اضغط على البطارية بشكل أكبر إلى الأمام حتى تستقر في مكانها مع إصدار صوت طقطقة.

إزالة البطارية من الآلة (الشكلين أ - د)

1. اضغط على زر إلغاء قفل البطارية (3).
2. أخرج البطارية من قاعدة الماكينة، على النحو الموضح في الشكل د.

4. التشغيل

قبل استخدام هذه الماكينة، قم بفحصها بصفة دائمة للتحقق من عدم تلف الشفرات ومسامير الشفرات وأداة القطع أو عدم تعرضها للبلبلي.



لا تحاول استخدام ماكينة تشذيب الأشجار دون ارتداء واقي الحماية.



استخدم كلتا اليدين دوماً للإمساك بماكينة تشذيب الأشجار وإبعادها عن جسمك.



استخدام ماكينة تشذيب الأشجار

- لأجل سلامتك الشخصية وللحصول على أفضل النتائج، اقرأ إرشادات المستخدم التالية ولا تستخدم هذا المنتج لأي غرض آخر بخلاف الغرض المقصود منه.
- صُممت ماكينة تشذيب الأشجار هذه بغرض قطع الأشجار والشجيرات. قد تتسبب أي استخدامات أخرى لم يتم السماح بها بصورة خاصة في هذا الدليل إلى إتلاف ماكينة تشذيب الأشجار أو إصابة المستخدم.

التخزين

- يجب الاحتفاظ بماكينته تشذيب الأشجار في مكان جاف وآمن بعيدًا عن متناول الأطفال. ولا تضع أي أغراض أخرى فوقها.
- التشغيل وإيقاف التشغيل (الشكل أ)
- لتشغيل ماكينة التشذيب، اضغط على مفتاح الأمان (7) ومفتاح بدء التشغيل (1) في وقت واحد.
- لإيقاف التشغيل، حرر أحد المقابضين أو كليهما.

البيئة



يجب تجميع الأجهزة الكهربائية أو الإلكترونية المعيبة و/أو المهملة في مواقع إعادة التدوير المناسبة.

بلدان الاتحاد الأوروبي فقط

- بصرف النظر عن الأشجار، يمكن أيضًا استخدام ماكينة تشذيب الأشجار لقطع الشجيرات.
- يمكن الحصول على أفضل تأثير للقطع من خلال إمساك الشفرة بزاوية 15 درجة تقريبًا.
- السكاكين الدوارة العكسية تقطع بكلا الجانبين، وبالتالي يمكن تشذيب الأشجار في كلا الاتجاهين.
- يتم تشذيب جانب الشجرة باستخدام حركات منحنية الشكل من أسفل إلى أعلى.
- من الناحية المثالية، يجب أن يكون الجزء السفلي للشجرة أكثر عرضًا من الجزء العلوي. وهذا من شأنه أن يؤدي إلى تحسين تسلسل الضوء، والحفاظ على صحة الأشجار. وإذا أمكن، قم بتشذيب جانبي الأشجار.
- عند تشذيب جانبي الشجرة، ابدأ من أسفل إلى أعلى. سيضمن لك ذلك عدم تشذيب الأشجار بطريقة تحجب أو تتداخل مع ضربات القطع. يجب عدم الضغط على الشفرة بقوة للقطع بعمق كبير. اقطع سطح الأشجار برفق.
- عند تشذيب الجزء العلوي من الأشجار، قم بالتشذيب بعيدًا عن جسمك ولا تبالغ في الارتفاع. من الحكمة والأمن لك أن تتحرك وتقطع ما هو في متناول يديك وأنت واقف على قدميك في جميع الأوقات.

الضمان

تم تصنيع منتجات FERM وفق أعلى معايير الجودة، وتتمتع بضمان ضد عيوب المواد الخام وعيوب الصناعة للفترة المنصوص عليها قانونيًا بدءًا من تاريخ الشراء الأصلي. في حالة ظهور أي عيب أثناء تلك الفترة بسبب عيب في المادة الخام و/أو الصناعة، فئاتصل بوكيل FERM على الفور.

يتم استثناء الظروف التالية من هذا الضمان:

- إجراء عمليات إصلاح و/أو استبدال أو محاولة إجرائها على الماكينة في مراكز خدمة غير معتمدة.
- عمليات البلى والتآكل الطبيعية.
- حالات إساءة استعمال الأداة أو سوء استخدامها أو إجراء صيانة غير مناسبة.
- استخدام قطع غيار غير أصلية.

النقل الآمن

ماكينة تشذيب الأشجار مزودة بغطاء حماية النقل (8) لتوفير نقل آمن للماكينة.

5. الصيانة

قبل التنظيف والصيانة، قم دائمًا بإيقاف تشغيل الآلة وإزالة البطارية من الماكينة.



قم بتنظيف أغطية الماكينة باستخدام قطعة قماش ناعمة بصفة منتظمة، ويُفضل أن يتم ذلك بعد كل استخدام. وتأكد من خلو فتحات التهوية من الأتربة والأوساخ. وقم بإزالة الأوساخ العنيدة جدًا باستخدام قطعة قماش ناعمة مغموسة في رغوة الصابون. لا تستخدم أي مذيبات، مثل البنزين والكحول والأمونيا وغيرها. فإن هذه المواد الكيميائية ستؤدي إلى تلف المكونات الاصطناعية.

شفرة القطع

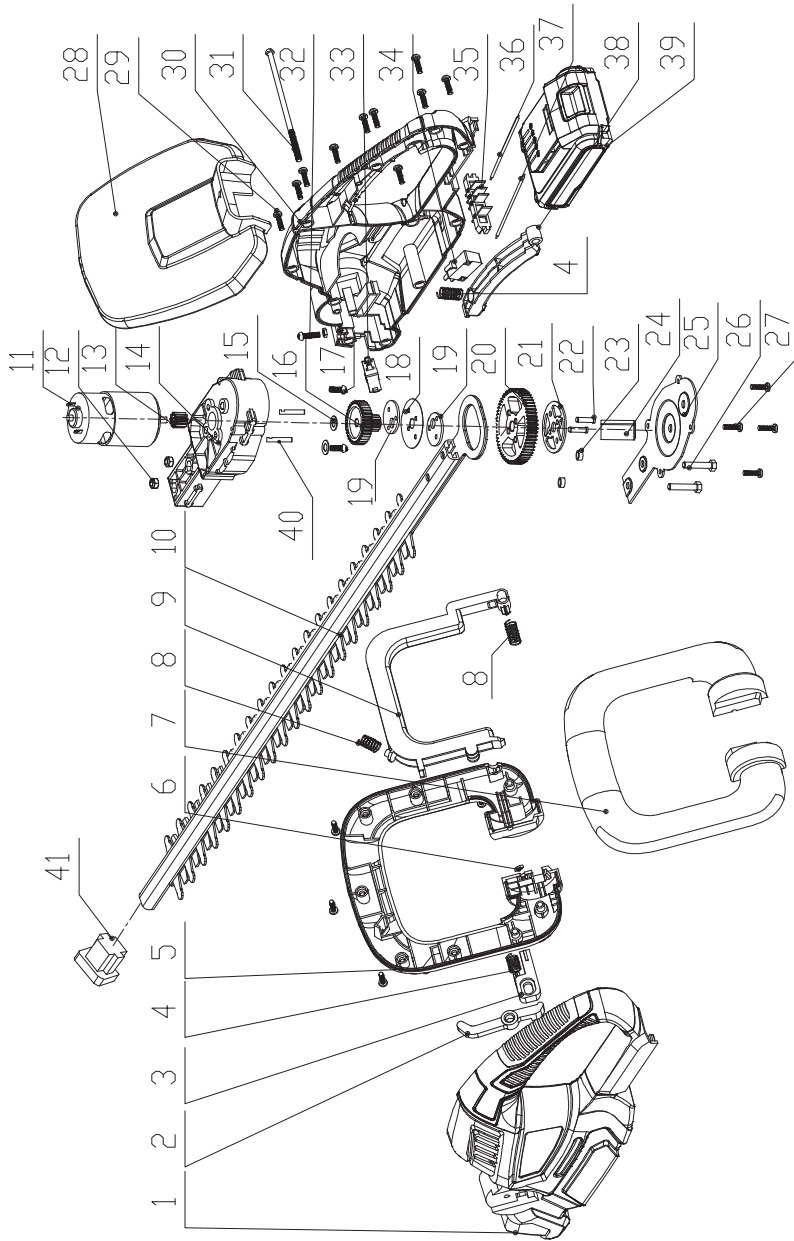
- ارتدِ القفازات دائمًا عند التعامل مع شفرة القطع أو تنظيفها.
- نظف شفرة القطع ورشها بزيت واقى بعد كل استخدام. نوصي بتشحيم شفرة القطع بزيت واقى على فترات منتظمة أثناء فترات العمل الطويلة.
- افحص حالة شفرة القطع بصريًا، وتأكد من تثبيت المسامير بإحكام في قضيب القاطع.
- تأكد من تركيب واقى الشفرة على الماكينة.

ويستلزم ذلك إصدار ضمان فردي من قبل الشركة سواءً كان صريحًا أم ضمنيًا. لن تكون هناك أي ضمانات أخرى صريحة أو ضمنية والتي تتجاوز الفترة الموضحة هنا، بموجب هذه الوثيقة، بما في ذلك الضمانات الضمنية لقابلية الترويج والملاءمة لغرض معين. بأي حال من الأحوال، لن تكون FERM مسؤولة عن أي أضرار عرضية أو تبعية. ستكون سبل الانتصاف من قبل الوكلاء مقتصرة على عمليات الإصلاح أو الاستبدال للأجزاء أو قطع الغيار غير المطابقة للمواصفات.

المنتج ودليل المستخدم عرضة للتغيير. ويمكن تغيير المواصفات دون إشعار آخر.



Exploded view





DECLARATION OF CONFORMITY HTM1005 - HEDGE TRIMMER

- (EN) We declare under our sole responsibility that this product is in conformity with directive 2011/65/EU of the European parliament and of the council of 8 June on the restriction of the use of certain hazardous substances in electrical and electronic equipment is in conformity and accordance with the following standards and regulations:
- (NL) Wij verklaren onder onze volledige verantwoordelijkheid dat dit product voldoet aan de conform Richtlijn 2011/65/EU van het Europees Parlement en de Raad van 8 juni 2011 betreffende beperking van het gebruik van bepaalde gevaarlijke stoffen in elektrische en elektronische apparatuur en in overeenstemming is met de volgende standaarden en reguleringen:
- (FR) Nous déclarons sous notre seule responsabilité que ce produit est conforme aux standards et directives suivants: est conforme à la Directive 2011/65/UE du Parlement Européen et du Conseil du 8 juin 2011 concernant la limitation d'usage de certaines substances dangereuses dans l'équipement électrique et électronique.
- (DE) Der Hersteller erklärt eigenverantwortlich, dass dieses Produkt der Direktive 2011/65/EU des Europäischen Parlaments und des Rats vom 8. Juni 2011 über die Einschränkung der Anwendung von bestimmten gefährlichen Stoffen in elektrischen und elektronischen Geräten entspricht. den folgenden Standards und Vorschriften entspricht:
- (PL) Deklarujemy na własną odpowiedzialność, że ten produkt spełnia wymogi zawarte w następujących normach i przepisach: jest zgodny z Dyrektywą 2011/65/UE Parlamentu Europejskiego i Rady z dnia 8 czerwca 2011 r. w sprawie ograniczenia stosowania niektórych niebezpiecznych substancji w sprzęcie elektrycznym i elektronicznym.
- (CS) Na naši vlastní zodpovednosť prohlašujeme, že je tento výrobek v súlade s následujícím standardy a normami: Je v súlade s normou 2011/65/EU Európskeho parlamentu a Rady z 8. júna 2011 týkajúcej sa obmedzenia používania určitých nebezpečných látok v elektrickom a elektronickom vybavení.
- (SK) Vyhlasujeme na našu výhradnú zodpovednosť, že tento výrobok je v zhode a súlade s nasledujúcimi normami a predpismi: Je v súlade s normou 2011/65/EU Európskeho parlamentu a Rady z 8. júna 2011 týkajúcej sa obmedzenia používania určitých nebezpečných látok v elektrickom a elektronickom vybavení.
- (IT) Dichiariamo, sotto la nostra responsabilità, che questo prodotto è conforme alle normative e ai regolamenti seguenti: è conforme alla Direttiva 2011/65/UE del Parlamento Europeo e del Consiglio dell'8 giugno 2011 sulla limitazione dell'uso di determinate sostanze pericolose nelle apparecchiature elettriche ed elettroniche.
- (ES) Declaramos bajo nuestra exclusiva responsabilidad que este producto cumple con las siguientes normas y estándares de funcionamiento: se encuentra conforme con la Directiva 2011/65/UE del Parlamento Europeo y del Consejo de 8 de junio de 2011 sobre la restricción del uso de determinadas sustancias peligrosas en los equipos eléctricos y electrónicos.
- (HR) Izjavljujemo pod vlastitom odgovornošću da je strojem ukladan sa slijedešim standardima ili standardiziranim dokumentima i u skladu sa odredbama: usklađeno sa Direktivom 2011/65/EU europskog parlamenta i vijeća izdanom 8. lipnja 2011. o ograničenju korištenja određenih opasnih tvari u električnoj i elektroničkoj opremi.
- (RU) Под свою ответственность заявляем, что данное изделие соответствует следующим стандартам и нормам: соответствует требованиям Директивы 2011/65/EU Европейского парламента и совета от 8 июня 2011 г. по ограничению использования определенных опасных веществ в электрическом и электронном оборудовании.
- (AR) نعلن على مسؤوليتنا وحدنا أن هذا المنتج يتوافق مع المعايير والتوجيهات التالية.

**EN 62841-1, EN 62841-4-2, EN 55014-1, EN 55014-2, 2006/42/EC, 2014/30/EU,
2011/65/EU, 2012/19/EC**

Zwolle, 01-07-2021

H.G.F Rosberg
CEO FERM

FERM - Lingenstraat 6 - 8028 PM - Zwolle - The Netherlands

