



20V CORDLESS DRILL CDM1164

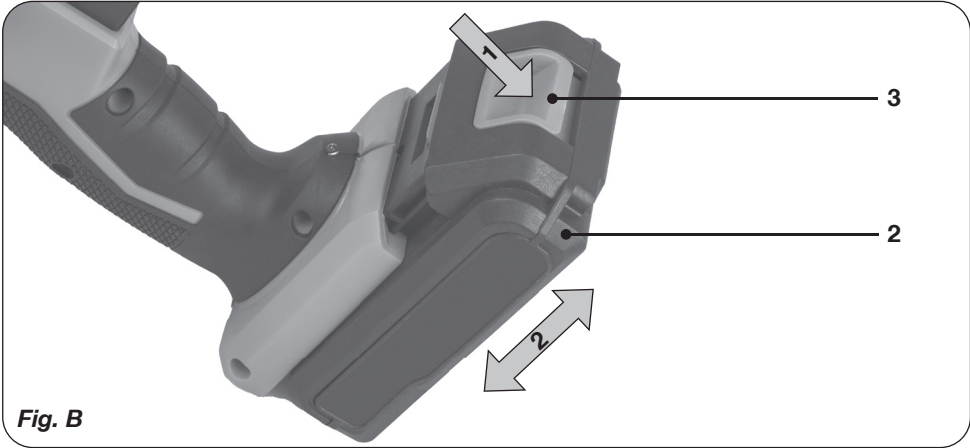
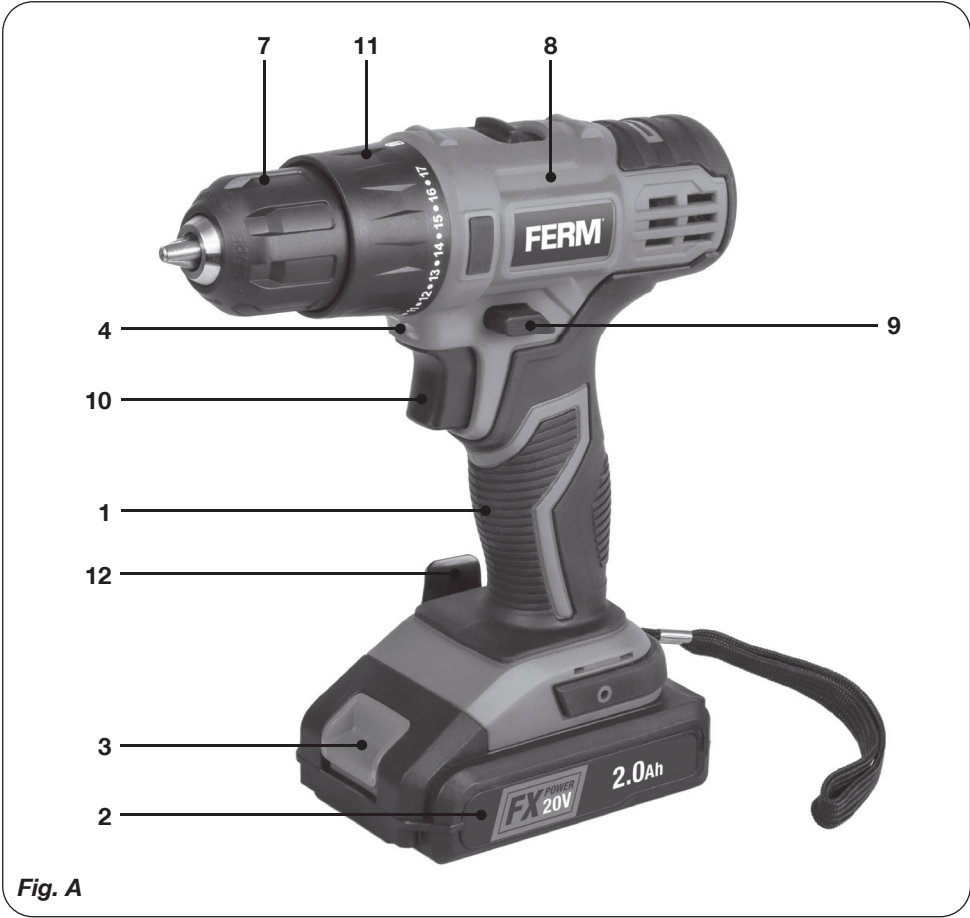
EN	Original instructions	04
HR	Prevedeno s izvornih uputa	10
RU	Перевод исходных инструкций	17
AR	ترجمة التعليمات الأصلية	25

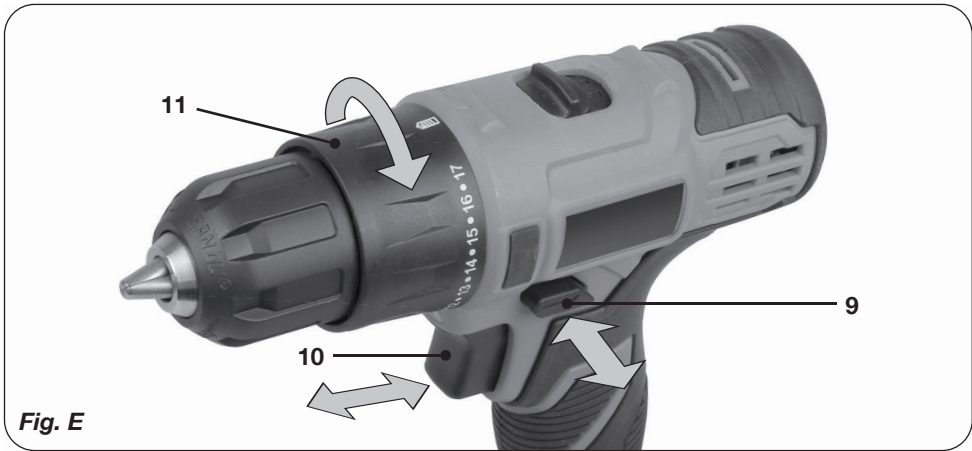
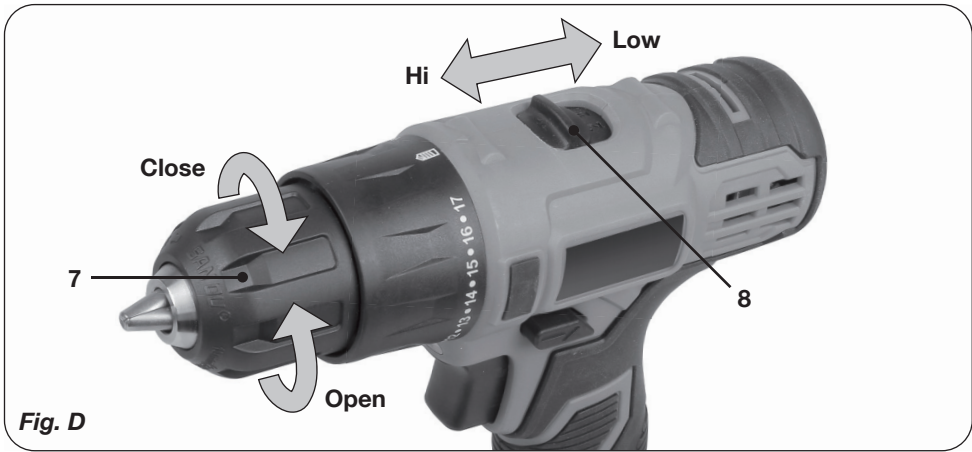
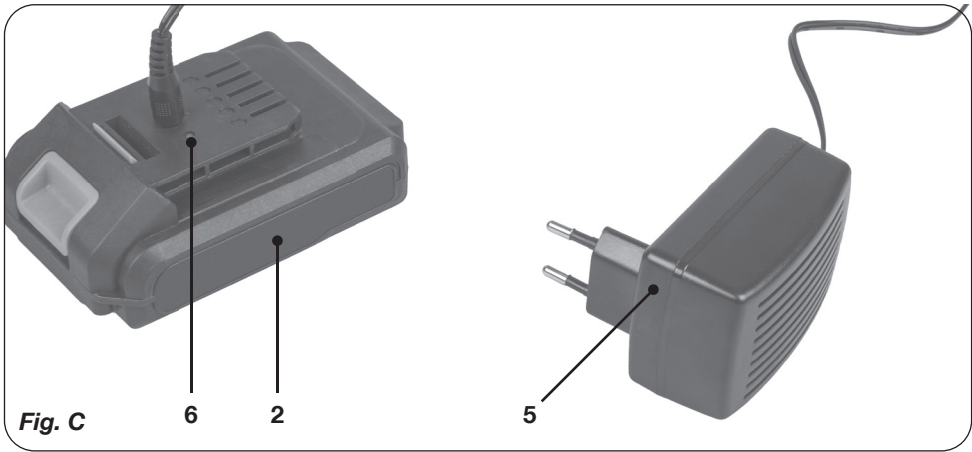


THE EXCHANGEABLE BATTERY PLATFORM



WWW.FERM.COM





Cordless Li-Ion drill 20V CDM1164

Thank you for buying this FERM product. By doing so you now have an excellent product, delivered by one of Europe's leading suppliers. All products delivered to you by Ferm are manufactured according to the highest standards of performance and safety. As part of our philosophy we also provide an excellent customer service, backed by our comprehensive warranty. We hope you will enjoy using this product for many years to come.

1. SAFETY INSTRUCTIONS



Read the enclosed safety warnings, the additional safety warnings and the instructions. Failure to follow the safety warnings and the instructions may result in electric shock, fire and/or serious injury. **Save the safety warnings and the instructions for future reference.**

The following symbols are used in the user manual or on the product:



Read the user manual.



Denotes risk of personal injury, loss of life or damage to the tool in case of non-observance of the instructions in this manual.



Risk of electric shock.



Variable electronic speed.



Rotation, left/right.



Do not use in rain.



Indoor use only.



Class II machine - Double insulation - You don't need any earthed plug.



Max temperature 45°C.



Switched-mode power supply.



In case of failure, the transformer is not dangerous.



Do not throw the battery into fire.



Do not throw the battery into water.



Do not dispose of the product in unsuitable containers.



Separate collection for Li-ion battery.



The product is in accordance with the applicable safety standards in the European directives.

GENERAL POWER TOOL SAFETY WARNINGS



WARNING!

Read all safety warnings and all instructions. Failure to follow the warnings and instructions may result in electric shock, fire and/or serious injury.

Save all warnings and instructions for future reference. The term "power tool" in the warnings refers to your mains-operated (corded) power tool or battery-operated (cordless) power tool.

1) Work area safety

- Keep work area clean and well lit.** Cluttered or dark areas invite accidents.
- Do not operate power tools in explosive atmospheres, such as in the presence of flammable liquids, gases or dust.** Power tools create sparks which may ignite the dust or fumes.
- Keep children and bystanders away while operating a power tool.** Distractions can cause you to lose control.

2) Electrical safety

- a) **Power tool plugs must match the outlet. Never modify the plug in any way. Do not use any adapter plugs with earthed (grounded) power tools.** *Unmodified plugs and matching outlets will reduce risk of electric shock.*
- b) **Avoid body contact with earthed or grounded surfaces, such as pipes, radiators, ranges and refrigerators.** *There is an increased risk of electric shock if your body is earthed or grounded.*
- c) **Do not expose power tools to rain or wet conditions.** *Water entering a power tool will increase the risk of electric shock.*
- d) **Do not abuse the cord. Never use the cord for carrying, pulling or unplugging the power tool. Keep cord away from heat, oil, sharp edges or moving parts.** *Damaged or entangled cords increase the risk of electric shock.*
- e) **When operating a power tool outdoors, use an extension cord suitable for outdoor use.** *Use of a cord suitable for outdoor use reduces the risk of electric shock.*
- f) **If operating a power tool in a damp location is unavoidable, use a residual current device (RCD) protected supply.** *Use of an RCD reduces the risk of electric shock.*

3) Personal safety

- a) **Stay alert, watch what you are doing and use common sense when operating a power tool. Do not use a power tool while you are tired or under the influence of drugs, alcohol or medication.** *A moment of inattention while operating power tools may result in serious personal injury.*
- b) **Use personal protective equipment. Always wear eye protection.** *Protective equipment such as dust mask, non-skid safety shoes, hard hat, or hearing protection used for appropriate conditions will reduce personal injuries.*
- c) **Prevent unintentional starting. Ensure the switch is in the off-position before connecting to power source and/or battery pack, picking up or carrying the tool.** *Carrying power tools with your finger on the switch or energising power tools that have the switch on invites accidents.*
- d) **Remove any adjusting key or wrench before**

turning the power tool on. *A wrench or a key left attached to a rotating part of the power tool may result in personal injury.*

- e) **Do not overreach. Keep proper footing and balance at all times.** *This enables better control of the power tool in unexpected situations.*
 - f) **Dress properly. Do not wear loose clothing or jewellery. Keep your hair, clothing and gloves away from moving parts.** *Loose clothes, jewellery or long hair can be caught in moving parts.*
 - g) **If devices are provided for the connection of dust extraction and collection facilities, ensure these are connected and properly used.** *Use of dust collection can reduce dust related hazards.*
 - h) **Do not let familiarity gained from frequent use of tools allow you to become complacent and ignore tool safety principles.** *A careless action can cause severe injury within a fraction of a second.*
- ## 4) Power tool use and care
- a) **Do not force the power tool. Use the correct power tool for your application.** *The correct power tool will do the job better and safer at the rate for which it was designed.*
 - b) **Do not use the power tool if the switch does not turn it on and off.** *Any power tool that cannot be controlled with the switch is dangerous and must be repaired.*
 - c) **Disconnect the plug from the power source and/or the battery pack from the power tool before making any adjustments, changing accessories, or storing power tools.** *Such preventive safety measures reduce the risk of starting the power tool accidentally.*
 - d) **Store idle power tools out of the reach of children and do not allow persons unfamiliar with the power tool or these instructions to operate the power tool.** *Power tools are dangerous in the hands of untrained users.*
 - e) **Maintain power tools. Check for misalignment or binding of moving parts, breakage of parts and any other condition that may affect the power tool's operation. If damaged, have the power tool repaired before use.** *Many accidents are caused by poorly maintained power tools.*

- f) **Keep cutting tools sharp and clean.** *Properly maintained cutting tools with sharp cutting edges are less likely to bind and are easier to control.*
- g) **Use the power tool, accessories and tool bits etc. in accordance with these instructions, taking into account the working conditions and the work to be performed.** *Use of the power tool for operations different from those intended could result in a hazardous situation.*
- h) **Keep handles and grasping surfaces dry, clean and free from oil and grease.** *Slippery handles and grasping surfaces do not allow for safe handling and control of the tool in unexpected situations.*
- 5) **Battery tool use and care**
- a) **Recharge only with the charger specified by the manufacturer.** *A charger that is suitable for one type of battery pack may create a risk of fire when used with another battery pack.*
- b) **Use power tools only with specifically designated battery packs.** *Use of any other battery packs may create a risk of injury and fire.*
- c) **When battery pack is not in use, keep it away from other metal objects, like paper clips, coins, keys, nails, screws or other small metal objects that can make a connection from one terminal to another.** *Shorting the battery terminals together may cause burns or a fire.*
- d) **Under abusive conditions, liquid may be ejected from the battery; avoid contact. If contact accidentally occurs, flush with water. If liquid contacts eyes, additionally seek medical help.** *Liquid ejected from the battery may cause irritation or burns.*
- e) **Do not use a battery pack or tool that is damaged or modified.** *Damaged or modified batteries may exhibit unpredictable behaviour resulting in fire, explosion or risk of injury.*
- f) **Do not expose a battery pack or tool to fire or excessive temperature.** *Exposure to fire or temperature above 130 °C may cause explosion. NOTE The temperature „130 °C“ can be replaced by the temperature „265 °F“.*
- g) **Follow all charging instructions and do not charge the battery pack or tool outside the temperature range specified in the instructions.** *Charging improperly or at*

temperatures outside the specified range may damage the battery and increase the risk of fire.

6) Service

- a) **Have your power tool serviced by a qualified repair person using only identical replacement parts.** *This will ensure that the safety of the power tool is maintained.*
- b) **Never service damaged battery packs.** *Service of battery packs should only be performed by the manufacturer or authorized service providers.*

Additional safety warnings for drills and screw drivers

- a) **Hold the power tool by insulated gripping surfaces, when performing an operation where the cutting accessory or fasteners may contact hidden wiring.** *Cutting accessory contacting a “live” wire may make exposed metal parts of the power tool “live” and could give the operator an electric shock.”*

Safety instructions when using long drill bits

- a) **Never operate at higher speed than the maximum speed rating of the drill bit.** *At higher speeds, the bit is likely to bend if allowed to rotate freely without contacting the workpiece, resulting in personal injury.*
- b) **Always start drilling at low speed and with the bit tip in contact with the workpiece.** *At higher speeds, the bit is likely to bend if allowed to rotate freely without contacting the workpiece, resulting in personal injury.*
- c) **Apply pressure only in direct line with the bit and do not apply excessive pressure.** *Bits can bend causing breakage or loss of control, resulting in personal injury.*

For the charger

Intended use

Charge only 20V (recommended) 2.0Ah or 4.0Ah Li-ion type rechargeable battery packs. Other types of batteries may burst causing personal injury and damage.

- a) **The appliance is not to be used by persons (including children) with reduced physical, sensory or mental capabilities, or lack of experience and knowledge, unless they have been given supervision or instruction**

- b) **Children being supervised not to play with the appliance**
- c) Do not recharging non-rechargeable batteries!
- d) During charging, batteries must be placed in the well ventilated area!

Residual risks

Even when the power tool is used as prescribed it is not possible to eliminate all residual risk factors. The following hazards may arise in connection with the power tool's construction and design:

- a) Health defects resulting from vibration emission if the power tool is being used over longer period of time or not adequately managed and properly maintained.
- b) Injuries and damage to property due to broken accessories that are suddenly dashed.



Warning! *This power tool produces an electromagnetic field during operation. This field may under some circumstances interfere with active or passive medical implants. To reduce the risk of serious or fatal injury, we recommend persons with medical implants to consult their physician and the medical implant manufacturer before operating this power tool.*

2. MACHINE INFORMATION

Intended use

This cordless drill is intended for driving in and loosening screws as well as for drilling in wood, metal and plastic.

Technical specifications

Model No	CDM1164
Voltage	20V
Chuck capacity	0.8 - 10mm
Torque settings	17 + Drill mode
No load speed	
Position 1:	0-350 /min
Position 2:	0-1300 /min
Weight	0.8 kg
Sound pressure level L_{PA}	70.3 dB(A), K=5dB(A)
Sound power level L_{WA}	81.3 dB(A), K=5dB(A)
Vibration	2.368 m/s^2 k=1.5 m/s^2

Model No	CDA1167
Battery Type	Lithium-Ion
Voltage	20V
Capacity	2.0 Ah
Recommended charger	CDA1169, CDA1170
Weight	0.3 kg

Model No	CDA1169
Charger input	100-240V~ 50/60Hz Max 1A
Charger output	21.5 1.7A
Rechargeable battery pack	20V Li-ion 1.5Ah
Charging time 2.0Ah battery	90 minutes
Charging time 4.0Ah battery	120 minutes
Recommended batteries	CDA1167, CDA1168
Weight	0.15 kg

Only use the following batteries of the FX-POWER 20V battery platform. Using any other batteries could cause serious injury or damage the tool.

CDA1167 20V, 2Ah Lithium-Ion (Included)
CDA1168 20V, 4Ah Lithium-Ion

The following charger of the can be used to charge these batteries.

CDA1169 Charger adapter (Included)
CDA1170 Quick charger

The batteries of the FX-POWER 20V battery platform are interchangeable with all the FERM FX-POWER battery platform tools.

Vibration level

The vibration emission level stated in this instruction manual has been measured in accordance with a standardized test given in EN 62841; it may be used to compare one tool with another and as a preliminary assessment of exposure to vibration when using the tool for the applications mentioned.

- Using the tool for different applications, or with different or poorly maintained accessories, may significantly increase the exposure level.
- The times when the tool is switched off or when it is running but not actually doing the job, may significantly reduce the exposure level.

Protect yourself against the effects of vibration by maintaining the tool and its accessories, keeping your hands warm, and organizing your work patterns.

Description

The numbers in the text refer to the diagrams on pages 2 - 3.

Fig. A

1. Machine
2. Battery
3. Battery unlock button
4. Work light
5. Charger
6. Charger LED indicator
7. Chuck
8. Gear selection switch
9. Direction switch
10. On / off switch
11. Torque adjustment ring
12. Belt hook

3. OPERATING



The battery must be charged before first use.

Removing the battery from the machine (Fig. B)

- Push the battery unlock buttons (3) and pull the battery out of the machine.

Inserting the battery into the machine (Fig. B)



Ensure that the exterior of the battery is clean and dry before connecting to the charger or machine.

- Insert the battery (2) into the base of the machine.
- Push the battery further forward until it clicks into place.

Charging the battery (with the charger) (Fig. C)

- Plug the charger plug into an electrical outlet and wait for a while. The LED indicator on the battery (6) will lighten up and show the charging status.
- Plug the output of the charger into the round socket of the battery.

LED indicator (6) (Fig. C)

The battery has 1 LED indicator (6) which indicates the status of the charging process:

LED	Charger status
Red	Battery charging in progress
Green	Battery charging finished, battery fully charged

- After the battery is fully charged remove the charger plug from the outlet and remove the battery from the charger.



When the machine is not being used over a longer period of time it is best to store the battery in charged condition.

Fitting and removing drills or screwdriver bits (Fig. D)



Always remove the battery before mounting an accessory.

The drill chuck (7) is suitable for drills and screwdriver bits with round shaft as well as hexagonal shaft.

- Hold the machine firmly with one hand
- Open the drill chuck (7) by rotating the chuck with your other hand in clockwise direction until it is opened far enough for the bit to slide in.
- Insert the shaft of the drill or screwdriver bit
- Tighten the drill chuck again by firmly rotating the chuck (7) counterclockwise.
- Check if the bit is centered well by shortly activating the machine's on/off switch.

Adjusting the gears (Fig. D)



Never switch gears when the motor is running, this will damage your machine.





Never put switch in the middle between both positions, this will damage your machine.

The machine has 2 drill speeds, which can be adjusted by sliding the gear switch (8) forward or backwards. The number on the gear switch (8) shows which position is chosen.

- Position 1: For slow drilling, large drilling diameter or screw driving. The machine has high power at a low speed.
- Position 2: For fast drilling or small drilling diameter

Adjusting the direction of rotation (Fig. E)

- Set the direction switch (9) to position  in order to drive screws or to use it for drilling.
- Set the direction switch (9) to position  in order to remove screws.

Switching the machine on and off (Fig. E)


The on/off switch (10) is used for activating the machine and adjusting rotation speed.

- Pressing the on/off switch (10) will activate the machine, the further the switch is being pushed, the faster the drill will turn.
- Releasing the on/off switch (10) will stop the machine.
- Move the direction reversing switch (9) to the middle position to lock the movement of the on/off switch.


Adjusting the torque (Fig. E)

The machine has 17 different torque settings and a special drill mode to set the power being transmitted to the chuck.

By rotating the torque adjustment ring (11), screws can be driven to a predetermined depth, which is ideal for repetitive work. The higher the number, the more torque will be transmitted.

- Select a low setting for small screws or soft work material.
- Select a high setting for large screws, hard work materials and when removing screws.
- You should preferably choose a setting as low as possible when driving screws. Select a higher setting if the motor slips before the screw is fully tightened.
- For drilling, turn the torque adjustment ring (11) to the setting for drilling () by fully turning it counterclockwise.



Ensure that the direction switch (9) is always set to  during drilling.



The machine is equipped with electronic overload protection function. When the machine gets overloaded it will shut down automatically. When this happens, please wait for a few seconds to let the overload protection reset itself.

4. MAINTENANCE



Before cleaning and maintenance, always switch off the machine and remove the battery pack from the machine.

Clean the machine casings regularly with a soft cloth, preferably after each use. Make sure that the ventilation openings are free of dust and dirt. Remove very persistent dirt using a soft cloth moistened with soapsuds. Do not use any solvents such as gasoline, alcohol, ammonia, etc. Chemicals such as these will damage the synthetic components.

ENVIRONMENT



Faulty and/or discarded electrical or electronic apparatus have to be collected at the appropriate recycling locations.

Only for EC countries

Do not dispose of power tools into domestic waste. According to the European Guideline 2012/19/EC for Waste Electrical and Electronic Equipment and its implementation into national right, power tools that are no longer usable must be collected separately and disposed of in an environmentally friendly way.

WARRANTY

FERM products are developed to the highest quality standards and are guaranteed free of defects in both materials and workmanship for the period lawfully stipulated starting from the date of original purchase. Should the product develop any failure during this period due to defective material and/or workmanship then contact your FERM dealer directly.

The following circumstances are excluded from this guarantee:

- Repairs and or alterations have been made or attempted to the machine by unauthorized service centers.
- Normal wear and tear.
- The tool has been abused, misused or improperly maintained.
- Non-original spare parts have been used

This constitutes the sole warranty made by company either expressed or implied. There are no other warranties expressed or implied which extend beyond the face hereof, herein, including the implied warranties of merchantability and fitness for a particular purpose. In no event shall FERM be liable for any incidental or consequential damages. The dealers remedies shall be limited to repair or replacement of nonconforming units or parts.

The product and the user manual are subject to change. Specifications can be changed without further notice.

Akumulatorska Li-Ion bušilica 20V CDM1164

Zahvaljujemo na kupnji ovog Ferm proizvoda. Njime ste si osigurali izvrstan proizvod koji vam pruža jedan od europskih vodećih dobavljača. Svi proizvodi koje Vam je isporučio Ferm proizvedeni su prema najvišim izvedbenim i sigurnosnim standardima. Kao dio naše filozofije također pružamo izvrsnu podršku klijentima, koji podržava naše opsežno jamstvo. Nadamo se da ćete uživati u korištenju ovog proizvoda još mnogo godina.

1. SIGURNOSNE UPUTE



Pročitajte priložena sigurnosna upozorenja, dodatna sigurnosna upozorenja i upute. *Nepoštivanje sigurnosnih upozorenja i uputa mogu uzrokovati strujni udar, požar i / ili ozbiljne ozljede. Sačuvajte sigurnosna upozorenja i upute za buduću uporabu.*

Sljedeći simboli se koriste u korisničkom priručniku ili na proizvodu:



Pročitajte upute za uporabu.



Označava opasnost od tjelesne ozljede, gubitka života ili oštećenja alata u slučaju nepridržavanja uputa iz ovog priručnika.



Opasnost od električnog udara.



Varijabilna elektronička brzina.



Rotacija, lijevo / desno.



Nemojte koristiti na kiši.



Samo za unutarnju uporabu.



Stroj klase II - Dvostruka izolacija – Ne trebate uzemljeni utikač.



Max. temperatura 45°C.



Napajanje s ugrađenim regulatorom.



Transformator nije opasan u slučaju kvara.



Ne bacajte akumulator u vatru.



Ne bacajte akumulator u vodu.



Nemojte odlagati proizvod u neprikladnim spremnicima.



Odvojeno sakupljajte Li-ion akumulatore.



Proizvod je u skladu s važećim sigurnosnim standardima u europskim direktivama.

OPĆA SIGURNOSNA UPOZORENJA ZA ELEKTRIČNE ALATE



UPOZORENJE!

Pročitajte sva sigurnosna upozorenja i upute. Nepoštivanje upozorenja i uputa

može rezultirati strujnim udarom, požarom i/ili ozbiljnim ozljedama.

Upozorenja i upute čuvajte za buduće potrebe.

Izraz "električni alat" u upozorenjima odnosi se na vaš električni alat napajan iz gradske mreže (sa žicom) ili električni alat napajan baterijom (bez žice).

1) Sigurnost radnog prostora

- Radni prostor održavajte čistim i dobro osvijetljenim.** Zakrčeni ili mračni prostori prizivaju nezgode.
- Električne alate nemojte upotrebljavati u eksplozivnom okruženju, primjerice u prisutnosti zapaljivih tekućina, plinova ili prašine.** Električni aparati stvaraju iskre koje mogu zapaliti prašinu ili isparavanje.
- Djecu i druge osobe držite podalje tijekom upotrebe električnih alata.** Zbog odvratanja

pozornosti mogli biste izgubiti nadzor nad uređajem.

2) Zaštita od električne struje

- Utikači električnih alata moraju odgovarati utičnicama. Nikad ni na koji način ne prepravljajte utikač.** Prilikom upotrebe električnih alata s uzemljenjem ne koristite prilagodne utikače. Neizmijenjeni utikači i odgovarajuće utičnice smanjit će rizik od električnog udara.
- Izbjegavajte fizički dodir s uzemljenim površinama poput cijevi, radijatora, metalnih okvira i hladnjaka.** Postoji povećani rizik od električnog udara ako je vaše tijelo uzemljeno.
- Električne alate ne izlažite kiši ni vlazi.** Prodiranje vode u električni alat povećat će rizik od električnog udara.
- Kabel ne upotrebljavajte za nepredviđene namjene.** Kabel nikad ne upotrebljavajte za nošenje, povlačenje ili odvajanje utikača električnog alata iz električne utičnice. Kabel držite podalje od izvora topline, ulja i oštrih ili pokretnih dijelova. Oštećeni ili zapleteni kabel povećat će rizik od električnog udara.
- Prilikom rada s električnim alatom na otvorenom prostoru upotrijebite produžni kabel koji je za to predviđen.** Upotreba produžnog kabela koji je pogodan za upotrebu na otvorenom smanjuje rizik od strujnog udara.
- Ako nije moguće izbjeći upotrebu električnog alata u vlažnim uvjetima, upotrijebite napajanje s diferencijalnom sklopkom za zaštitu od neispravnosti uzemljenja (RCD).** Upotreba RCD sklopke smanjuje rizik od električnog udara.

3) Osobna sigurnost

- Budite na oprezu, pazite što radite i primjenjujte zdravorazumski pristup prilikom rada s električnim alatom.** Ne koristite električni alat ako ste umorni ili pod utjecajem droga, alkohola ili lijekova. Trenutak nepažnje tijekom rada s električnim alatom može dovesti do ozbiljnih ozljeda.
- Koristite opremu za osobnu zaštitnu.** **Uvijek koristite zaštitu za oči.** Upotreba zaštitne opreme poput maske protiv prašine, sigurnosnih cipela protiv klizanja, čvrste kape ili zaštite sluha u odgovarajućim uvjetima smanjit

će rizik od osobnih ozljeda.

- c) **Spriječite nepredviđena uključivanja.** Prije priključivanja u električnu mrežu ili umetanja akumulatorske baterije, kao i prije uzimanja ili nošenja alata, provjerite je li prekidač u isključenom položaju. Nošenje električnog alata pri čemu je prst na prekidaču ili priključivanje električnog alata kojemu je prekidač uključen priziva nezgode.
- d) **Prije nego uključite električni alat, uklonite s njega sve ključeve za prilagođavanje i sl.** Ostavljanje ključa na rotirajućem dijelu električnog alata može dovesti do ozljede.
- e) **Nemojte predaleko posezati. Stalno održavajte ravnotežu i stojte čvrsto na nogama.** To omogućuje bolju kontrolu električnog alata u neočekivanim situacijama.
- f) **Pravilno se obucite. Ne nosite široku odjeću ili nakit. Kosu, odjeću i rukavice uvijek držite podalje od pokretnih dijelova.** Pokretni dijelovi mogu zahvatiti labavo obučenu odjeću, nakit ili dugu kosu.
- g) **Ako upotrebljavate uređaje za usisavanje i prikupljanje prašine, osigurajte njihovo pravilno povezivanje i upotrebu.** Upotreba uređaja za prikupljanje prašine može smanjiti opasnosti vezane uz prašinu.
- h) **Ne dopustite da zbog samopouzdanja stečenog učestalom upotrebom alata zanemarite sigurnosna pravila.** Nepažljivo postupanje može uzrokovati ozbiljne ozljede za djelić sekunde.
- 4) Upotreba i čuvanje električnih alata**
- a) **Električni alat nemojte forsirati. Koristite ispravan električni alat za vašu primjenu.** Prikladan električni alat bolje će i sigurnije obaviti posao brzinom za koju je predviđen.
- b) **Ne upotrebljavajte električni alat ako se prekidač ne može prebaciti u isključeni ili uključeni položaj.** Svaki električni alat kojim se ne može upravljati pomoću prekidača predstavlja opasnost i potrebno ga je popraviti.
- c) **Prije prilagođavanja, zamjene nastavaka ili pohrane električnog alata isključite utikač iz utičnice ili odvojite akumulatorsku bateriju.** Te sigurnosne preventivne mjere smanjuju rizik od nehotičnog pokretanja električnog alata.
- d) **Električne alate koji se ne upotrebljavaju pohranite izvan dohvata djece i ne dopustite osobama koje nisu upoznate s alatom ili ovim uputama da rade s njim.** Električni alati opasni su u rukama neobučениh korisnika.
- e) **Električne alate potrebno je održavati.** Provjerite ima li kakvih otklona ili savinuća pokretnih dijelova, pucanja dijelova ili kakvih drugih stanja koja mogu utjecati na rad električnog alata. Ako je alat oštećen, popravite ga prije upotrebe. Velik broj nezgoda prouzrokovan je loše održavanim električnim alatima.
- f) **Rezne dijelove alata održavajte oštroma i čistima.** Pravilno održavanje radnih alata s oštrim rubovima smanjuje vjerojatnost njegovog povijanja i lakše je za kontroliranje.
- g) **Električni alat, pribor, nastavke itd. upotrebljavajte u skladu s ovim uputama te uzimajući u obzir radne uvjete i posao koji je potrebno obaviti.** Upotreba električnih alata za poslove za koje nije namijenjen može dovesti do opasnih situacija.
- h) **Ručke i rukohvate održavajte suhima, čistima te bez ulja i masti.** Klizave ručke i rukohvati ne omogućuju sigurnu upotrebu i upravljanje alatom u neočekivanim okolnostima.
- 5) Upotreba i čuvanje baterije**
- a) **Punite samo punjačem koji je preporučio proizvođač.** Punjač koji je prikladan za jednu vrstu baterije može uzrokovati požar ako se upotrebljava s drugom baterijom.
- b) **Električne alate upotrebljavajte isključivo s preporučenim baterijskim ulošcima.** Uporaba bilo koje druge baterije može predstavljati rizik od ozljede i požara.
- c) **Kada baterija nije u uporabi, držite je podalje od drugih metalnih predmeta kao što su spajalice, novčići, ključevi, čavli, vijci ili drugi maleni metalni predmeti koji mogu dovesti do spajanja polova.** Kratko spajanje polova baterije može uzrokovati opekline i požar.
- d) **Ako se baterija nepravilno koristi, iz nje može iscuriti tekućina.** Izbjegavajte kontakt. Ako slučajno dođe do kontakta, isperite vodom. Ako tekućina dođe u kontakt s očima, zatražite medicinsku pomoć. Tekućina koja iscuri iz baterije može uzrokovati iritacije ili opekline.
- e) **Ako su baterija ili alat oštećeni ili modificirani, nemojte ih upotrebljavati.**

Oštećene ili modificirane baterije mogu biti nepredvidljive i uzrokovati požar, eksploziju i ozljede.

- f) **Bateriju i alat nemojte izlagati vatri ni visokim temperaturama.** Izlaganje vatri ili temperaturama višima od 130°C može uzrokovati eksploziju. **NAPOMENA** Temperatura "130°C" može se zamijeniti temperaturom "265°F".
- g) **Slijedite sve upute za punjenje i nemojte puniti bateriju ili alat izvan temperaturnog raspona navedenog u uputama.** Nepravilno punjenje ili punjenje pri temperaturama izvan navedenog raspona može uzrokovati oštećenje baterije i požar.
- 6) **Servisiranje**
- a) **Električne alate servisirajte kod kvalificiranog serviser a i upotrebom identičnih zamjenskih dijelova.** Na taj ćete način osigurati sigurnost pri održavanju alata.
- b) **Nemojte servisirati oštećene baterije.** Servis baterije smije obavljati samo proizvođač ili ovlašteni servis.

Dodatna sigurnosna upozorenja za bušilice i odvijače

- a) **Držite alat za izolirane površine za zahvaćanje kada izvodite operacije kod kojih rezni pribor može dodirnuti skrivene žice ili vlastiti kabel.** Rezni pribor u dodiru sa "živom" žicom pretvara metalne dijelove električnog alata "živim" i može uzrokovati strujni udar.

Sigurnosne upute za upotrebu dugih svrdala

- a) **Nemojte upotrebljavati pri brzini višoj od maksimalne nazivne brzine svrdla.** Nastavak se pri višim brzinama može saviti ako se rotira slobodno bez kontakta s radnim materijalom, što može dovesti do ozljeda.
- b) **Bušenje uvijek započnite pri niskoj brzini s nastavkom u kontaktu s radnim materijalom.** Nastavak se pri višim brzinama može saviti ako se rotira slobodno bez kontakta s radnim materijalom, što može dovesti do ozljeda.
- c) **Primijenite pritisak samo u ravnoj liniji s nastavkom, ali nemojte pritiskati prejako.** Nastavci se mogu saviti te dovesti do pucanja ili gubitka nadzora te ozljeda.

O punjaču

Namjeravana uporaba

Napunite samo 20V MAX. 2.0 ili 4.0 Ah Li-ion punjive akumulatore. Ostale vrste akumulatora mogu praskom izazvati osobne ozljede i oštećenja.

- a) **Uređaj ne smiju koristiti osobe (uključujući djecu) sa smanjenim tjelesnim, senzornim ili mentalnim sposobnostima ili nedostatkom iskustva i znanja, osim ako im nije dan nadzor ili uputstvo.**
- b) **Djeca koja se nadziru da se ne igraju s aparatom.**
- c) **Nemojte puniti akumulatore koji se ne mogu puniti!**
- d) **Tijekom punjenja akumulatori moraju biti smješteni u dobro prozračenom prostoru!**

Preostali rizici

Čak i kada se električni alat koristi kao što je propisano, nije moguće eliminirati sve preostale čimbenike rizika. Sljedeće opasnosti mogu nastati u vezi s konstrukcijom i dizajnom električnog alata:

- a) **Zdravstveni nedostaci koji nastaju zbog emisije vibracija, ako se električni alat koristi tijekom duljeg vremenskog razdoblja ili nije adekvatno vođen i pravilno održavan.**
- b) **Povrede i oštećenja imovine uslijed slomljenih pribora koji su iznenada poletjeli.**




Upozorenje! Ovaj električni alat proizvodi elektromagnetsko polje tijekom rada. Ovo polje, pod određenim okolnostima može ometati aktivne ili pasivne medicinske implantate. Da biste smanjili opasnost od teških ili kobnih ozljeda, preporučujemo osobama s medicinskim implantatima da prije korištenja ovog električnog alata konzultiraju svog liječnika i proizvođača medicinskih implantata.


2. INFORMACIJE O STROJU


Namjeravana uporaba

Ova akumulatorska bušilica namijenjena je za uvijanje i odvijanje vijaka, kao i za bušenje drveta, metala i plastike.

Tehničke specifikacije

Model br	CDM1164
Napon	20V 
Kapacitet stezne čaure	0.8 - 10mm
Postavke zakretnog momenta	17 + režim bušenja
Brzina bez opterećenja	
Pozicija 1:	0-350 /min
Pozicija 2:	0-1300 /min
Težina	0.8 kg
Razina zvučnog tlaka L_{PA}	70.3 dB(A), K=5dB(A)
Razina zvučne snage L_{WA}	81.3 dB(A), K=5dB(A)
Vibracije	2.368 m/s ² k=1.5m/s ²

Model	CDA1167
Vrsta baterije	litij-ionska
Napon	20V 
Kapacitet	2.0 Ah
Preporučeni punjač	CDA1169, CDA1170
Masa	0.3 kg

Model	CDA1169
Ulaz punjača	100-240V~ 50/60Hz Maks 1A
Izlaz punjača	21.5  1.7A
Punjiva baterija litij-ionska	20V Li-ion 1.5Ah
Vrijeme punjenja baterije od 2 Ah	90 minuta
Vrijeme punjenja baterije od 4 Ah	120 minuta
Preporučene baterije	CDA1167, CDA1168
Masa	0.15 kg

Koristite samo sljedeće baterije platforme FX-POWER 20V. Upotreba bilo kojih drug ih baterija može uzrokovati ozbiljne ozljede ili oštećenje alata.

CDA1167	20V, 2 Ah litij-ionska (isporučena)
CDA1168	20V, 4 Ah litij-ionska

Sljedeći punjač može se upotrijebiti za punjenje ovih baterija.

CDA1169	prilagodnik za punjenje (ispučen)
CDA1170	brzi punjač

Baterije platforme FX-POWER 20V mogu se upotrijebiti uz sve alate baterijske platforme FERM FX-POWER.

Razina vibracija

Razina emisije vibracija, naznačen na poleđini ove upute za uporabu, izmjerena je sukladno standardiziranim testom danom u EN62841; može se koristiti za usporedbu jednog alata s drugim, kao i za preliminarnu procjenu izloženosti vibracijama, kada se ovaj alat koristi za navedene svrhe.

- Korištenje alata u drugačije svrhe ili s drugim ili slabo održanim nastavcima može značajno povećati razinu izloženosti.
- Vrijeme kada je alat isključen ili je uključen, ali se njime ne radi, može značajno smanjiti razinu izloženosti.

Zaštite se od djelovanja vibracija održavanjem alata i njegovih nastavaka, održavajući vaše ruke toplim i organiziranjem vaših uzoraka rada.

Opis

Brojevi u tekstu odnose se na dijagramove na stranicama 2 – 3.

Sl. A

1. Stroj
2. Akumulator
3. Gumb za odbravljanje akumulatora
4. Radno svjetlo
5. Punjač
6. LED indikator punjača
7. Futer
8. Prekidač za odabir stupnja prijenosa
9. Prekidač smjera
10. On/off prekidač
11. Prsten za podešavanje zakretnog momenta
12. Kuka za remen

3. RUKOVANJE

Akumulator se mora puniti prije prve uporabe.

Uklanjanje akumulatora iz stroja (sl. B)

- Gurnite gumb za odbravljanje akumulatora (3) i izvucite akumulator iz stroja.

Umetanje akumulatora u stroj (sl. B)

Osigurajte da je vanjska strana akumulatora čista i suha prije spajanja na punjač ili stroj.

- Umetnite akumulator (2) u podnožje stroja.
- Gurnite akumulator prema naprijed dok ne sjedne na svoje mjesto.

Punjenje akumulatora (s punjačem) (sl. C)

- Uključite utikač punjača u električnu utičnicu i pričekajte neko vrijeme. LED indikator na punjaču (6) će posvijetliti i pokazati status punjača.
- Izlaz punjača priključite u okruglu utičnicu baterije.

LED indikator (6) (sl. C)

Punjač ima 1 LED indikator (6) koji označava stanje procesa punjenja:

LED	Stanje punjenja
Crveno	Punjenje akumulatora u tijeku
Zeleno	Punjenje akumulatora završeno, akumulator je potpuno napunjen

- Nakon što je akumulator potpuno napunjen, uklonite utikač punjača iz utičnice i izvadite akumulator iz punjača.



Kada se stroj ne upotrebljava tijekom duljeg vremena, najbolje je pohraniti akumulator u napunjenom stanju.

Postavljanje i uklanjanje burgija ili umetaka (sl. D)

Uvijek izvadite akumulator prije ugradnje pribora.

Futer (7) je prikladan za burgije i vijke s okruglim stablom kao i s šesterokutnim stablom.

- Čvrsto držite stroj s jednom rukom.
- Otvorite futer za burgiju (7) zakretanjem futera s drugom rukom, u smjeru kazaljke na satu, dok se futer ne otvori dovoljno da se umetak može ugurati.
- Umetnite stablo burgije ili umetka.
- Zategnite burgiju opet, zakretanjem futera (7) u smjeru suprotnom od kazaljke na satu.
- Provjerite je li umetak dobro usredotočen kratkim aktiviranjem on/off prekidača.

Podešavanje zupčanika (sl. D)

Nikad ne prebacujte zupčanike kad motor radi, što bi oštetilo vaš stroj.





Nikada ne stavljajte prekidač u sredinu između oba položaja, što će oštetiti vaš stroj.

Stroj ima 2 brzine bušenja, koje se mogu podesiti klizanjem prekidača stupnja prijenosa (8) naprijed ili natrag. Broj na prekidaču stupnja prijenosa (8) pokazuje koji je položaj odabran.

- Pozicija 1: Za sporo bušenje, veliki promjer burgije ili za rad sa vijcima. Stroj ima veliku snagu pri maloj brzini.
- Pozicija 2: Za brzo bušenje ili mali promjer burgije.

Podešavanje smjera vrtnje (sl. E)

- Postavite prekidač smjera (9) u položaj  kako biste uvertali vijke ili biste bušili.
- Namjestite prekidač smjera (9) u položaj  kako biste odvrtali vijke.


Uključivanje i isključivanje stroja (sl. E)

On/off prekidač (10) se koristi za aktiviranje stroja i za podešavanje brzine vrtnje.

- Pritiskom na prekidač on/off (10) aktivira se stroj, dok se daljim pritiskom na prekidač povećava brzina.
- Otpuštanje on/off prekidača (10) stroj se zaustavlja.
- Pomaknite prekidač za okretanje naprijed/natrag (9) u srednji položaj, kako biste zabravili kretanje prekidača on/off.

Podešavanje zakretnog momenta (sl. E)

Stroj ima 17 različitih postavki okretnog momenta i poseban način bušenja za postavljanje snage koja se prenosi na futer. Zakretanjem prstena za podešavanje zakretnog momenta (11) vijci se mogu uverteti do određene dubine, što je idealno za ponavljanje rada. Što je veći broj, to će biti veći okretni moment.

- Odaberite nisku postavku za male vijke ili mekani radni materijal.
- Odaberite veliku postavku za velike vijke, tvrde materijale i za uklanjanje vijaka.
- Najpovoljnije je odabrati postavku što je moguće niže, prilikom uvertanje vijaka. Odaberite višu postavku ako motor provrti prije nego što se vijak pritegne.
- Za bušenje, zakrenite prsten za podešavanje zakretnog momenta (11) na položaj za bušenje  potpuno ga okrećući u smjeru suprotnom od kazaljke na satu.



Provjerite je li prekidač smjera (9) uvijek postavljen na  tijekom bušenja.



Stroj je opremljen elektronskom zaštitom od preopterećenja. Kada stroj postane preopterećen, automatski će se ugasiti. Kada se to dogodi, pričekajte nekoliko sekundi da se zaštita od preopterećenja poništi.

- uobičajeno habanje i trošenje;
- alat je bio zloupotrebļavan ili nepravilno održavan;
- korišteni su neizvorni rezervni dijelovi.

4. ODRŽAVANJE



Prije čišćenja i održavanja uvijek isključite stroj i odspojite akumulator iz stroja.

Redovito čistite kućište stroja mekom krpom, po mogućnosti nakon svake uporabe. Osigurajte se da otvori za ventilaciju ne sadrže prašinu i prljavštinu. Uklonite upornu prljavštinu mekom krpom, navlaženom sapunicom. Nemojte koristiti otapala poput benzina, alkohola, amonijaka itd. Takve kemikalije oštećuju sintetske komponente.

Ovo predstavlja isključivo jamstvo koje pruža tvrtka, izričito ili implicirano. Ne pružaju se nikakva druga jamstva, izričita ili implicirana izvan ovdje navedenog obima, uključujući implicirana jamstva utrživosti ili prikladnosti za određene svrhe. FERM neće ni u kojem slučaju biti odgovoran ni za kakve slučajne ili posljedične štete. Pravni lijekovi dobavljača bit će ograničeni na popravak ili zamjenu neispravnih uređaja ili dijelova.

Proizvod i korisnički priručnik su podložni promjenama. Specifikacije se mogu promijeniti bez upozorenja.

OKOLIŠ



Neispravan i/ili odbačen električni ili elektronički aparat potrebno je sakupljati na odgovarajućim mjestima za recikliranje.

Samo za zemlje Europske unije

Alate nemojte odlagati u kućanski otpad. Prema europskim smjernicama 2012/19/EU za otpadnu električnu i elektroničku opremu i njihovoj primjeni i državnom zakonodavstvu, radni alati koji se više ne koriste moraju se odvojeno sakupiti i odložiti na ekološki prihvatljiv način.

JAMSTVO

FERM proizvodi razvijeni su prema najvišim standardima te će zajamčeno biti bez kvarova u materijalima i izradi tijekom zakonski propisanog razdoblja od datuma kupnje. Ako se u tom razdoblju dogode bilo kakvi kvarovi proizvoda zbog pogrešaka u materijalu i/ili izradi, obratite se izravno svom FERM dobavljaču.

Sljedeće okolnosti isključene su iz ovog jamstva:

- neovlašteni servisi pokušali su izvoditi popravke ili izmjene na uređaju;

Аккумуляторная литий-ионная дрель 20 В CDM1164

Благодарим вас за приобретение данного изделия Ferm. Теперь есть великолепный инструмент от одного из ведущих европейских поставщиков. Все изделия, которые поставляет вам Ferm, изготовлены в соответствии с высочайшими стандартами в отношении производительности и безопасности. Кроме того, мы предлагаем превосходное обслуживание заказчиков, которое поддерживается нашей комплексной гарантией - это часть нашей философии. Мы надеемся, что вы будете получать удовольствие от работы с этим инструментом в течение многих лет.

1. ПРЕДУПРЕЖДЕНИЯ ПО БЕЗОПАСНОМУ ИСПОЛЬЗОВАНИЮ



Прочтите прилагаемые предупреждения по безопасному использованию, дополнительные предупреждения и инструкции.

Несоблюдение предупреждений по безопасному использованию и инструкций может привести к поражению электрическим током, возгоранию и/или серьезной травме.
Сохраните предупреждения по безопасному использованию и инструкции для обращения к ним в будущем.

В руководстве или на изделии присутствуют следующие значки:



Прочитайте руководство пользователя.



Указывает на риск повреждения инструмента, травм или смерти в случае несоблюдения инструкций, приведенных в данном руководстве пользователя.



Опасность поражения электрическим током.



Регулируемая скорость.



Вращение вправо/влево.



Не используйте электроинструмент под дождем.



Используйте только в помещениях.



Изделие II класса - Двойная изоляция - В заземленной розетке нет необходимости.



Max 45°C

Максимальная температура 45°C



Импульсный источник питания.



В случае выхода из строя трансформатор не представляет опасности.



Не бросайте батарею в огонь.



Не бросайте батарею в воду.



Выбрасывайте изделие только в предназначенные для этого контейнеры.



Ионно-литиевые батареи нужно утилизировать отдельно.



Данное изделие соответствует применимым стандартам безопасности европейских директив.

ОБЩИЕ УКАЗАНИЯ ПО ТЕХНИКЕ БЕЗОПАСНОСТИ



ВНИМАНИЕ!

Внимательно прочтите все руководства по технике

безопасности и инструкции. Несоблюдение указаний и инструкций по технике безопасности может стать причиной поражения электрическим током, пожара и/или тяжелых травм.

Сохраните эту инструкцию.

Термин «электроинструмент» во всех правилах, перечисленных ниже, относится к работающим от сети (со шнуром питания) электроинструментам или действующим от аккумулятора (без шнура питания) электроинструментам.

1) Рабочее место

- a) **Рабочее место должно быть чистым и хорошо освещённым.** Загромождённые и недостаточно освещённые рабочие места способствуют травматизму.
- b) **Не используйте электроинструменты во взрывоопасных условиях, например, вблизи легковоспламеняющихся жидкостей, газов или частиц.** Во время работы электроинструмента возникают искры, которые могут вызвать воспламенение взрывоопасных частиц.
- c) **Во время работы с электроинструментом дети и посторонние должны находиться на безопасном расстоянии.** Отвлекаясь, вы можете потерять контроль над управлением.

2) Электротехническая безопасность

- a) **Вилка электроинструмента должна точно соответствовать штепсельной розетке. Никогда не вносите изменения в конструкцию вилки. Не используйте переходные устройства для вилки, которые заземляют (замыкают на землю) электроинструменты.** Не модифицированные вилки и точно соответствующие им штепсельные розетки уменьшают вероятность поражения электрическим током.
- b) **Не допускайте контакта частей тела с заземлёнными или замкнутыми на землю**

поверхностями, например, с поверхностью труб, радиаторов, кухонных плит, холодильников. Существует повышенная опасность поражения электрическим током, если Ваше тело заземлено или замкнуто на землю.

- c) **Не оставляйте электроинструменты под дождём или во влажных условиях.** Вода, попавшая на электроинструмент, повышает вероятность поражения электрическим током.
 - d) **Не нарушайте режим эксплуатации сетевого шнура. Никогда не переносите электроинструмент, держа его за шнур, не дёргайте, и не тяните за шнур, чтобы отключить вилку от розетки. Защищайте шнур от источников тепла, масел, предметов с острыми краями или движущимися частями.** Повреждённые или спутанные шнуры питания повышают вероятность поражения электрическим током.
 - e) **Если электроинструмент используется вне помещений, применяйте только предназначенные для наружных работ удлинители.** Применение шнуров питания, предназначенных для наружных работ, уменьшает вероятность поражения электрическим током.
 - f) **Если использование электроинструмента в условиях влажной окружающей среды неизбежно, необходимо использовать источник тока, защищенный устройством защитного отключения (УЗО).** Применение УЗО снижает риск поражения электрическим током.
- #### **3) Личная безопасность**
- a) **Будьте внимательны, контролируйте свои действия и руководствуйтесь здравым смыслом при работе с электроинструментом. Не работайте с электроинструментом, если вы устали или находитесь под влиянием наркотиков, алкоголя или медицинских препаратов.** Потеря внимания при работе с электроинструментом может привести к тяжёлым телесным повреждениям.
 - b) **Используйте средства индивидуальной защиты. Всегда носите защитные очки.**

- Использование средств индивидуальной защиты, таких как защитная маска, обувь на нескользящей подошве, защитный шлем или средство защиты органов слуха, - в зависимости от условий работы, снижает риск получения травм.
- c) **Принимайте меры в целях избежания непреднамеренного запуска. Перед подключением электроинструмента к электропитанию и/или к аккумуляторной батарее, когда берете устройство или при его транспортировке убедитесь, что электроинструмент находится в выключенном состоянии.** Ношение инструмента с пальцем на выключателе опасно, и может привести к несчастному случаю.
- d) **Убирайте регулировочные инструменты и гаечные ключи перед включением электроинструмента.** Гаечный ключ или регулировочный инструмент, оставленные в соединении с вращающимися деталями электроинструмента, могут привести к телесным повреждениям.
- e) **Не наклоняйтесь чрезмерно. Работайте в безопасной позиции и всё время сохраняйте равновесие.** Это обеспечит надлежащее управление электроинструментом при неожиданных ситуациях.
- f) **Одевайтесь надлежащим образом. Не надевайте просторную одежду и ювелирные изделия. Сделайте так, чтобы ваши волосы, одежда и перчатки находились на достаточном расстоянии от движущихся частей.** Просторная одежда, ювелирные изделия и длинные волосы могут быть захвачены движущимися частями.
- g) **В случае если предусмотрено подключение пылеулавливающего устройства убедитесь, что оно подсоединено и надёжно работает.** Использование такого рода устройств уменьшает вред от воздействия пыли.
- h) **Всегда сохраняйте бдительность и соблюдайте правила техники безопасности при работе с электроинструментом.** Момент невнимательности может привести к серьёзным травмам.
- 4) **Использование электроинструмента и уход за ним**
- a) **Не перегружайте электроинструмент. Используйте электроинструмент только по назначению.** Применение электроинструмента по назначению делает работу более эффективной и безопасной.
- b) **Не используйте электроинструмент, если переключатель не устанавливается в положение Вкл. и Выкл.** Все электроинструменты с вышедшими из строя переключателями представляют потенциальную опасность и должны быть отремонтированы.
- c) **Перед проведением любых работ по наладке, замене принадлежностей или перед уборкой электроинструментов на хранение следует отключать вилку от источника питания.** Эти превентивные меры безопасности уменьшают риск непреднамеренного включения электроинструмента.
- d) **Храните неиспользуемые электроинструменты в недоступном для детей месте, и не доверяйте использование электроинструмента лицам, которые не знакомы с данным электроинструментом и с инструкцией по его применению.** В руках необученных лиц электроинструменты представляют опасность.
- e) **Проводите обслуживание электроинструментов. Проверьте синхронность работы взаимодействующих деталей, наличие повреждённых деталей и прочие условия, которые могут повлиять на работу электроинструмента.** Отремонтируйте повреждённые электроинструменты перед использованием. Большое количество несчастных случаев вызвано плохим обслуживанием электроинструментов.
- f) **Содержите режущий инструмент острым и чистым.** Должным образом обслуживаемый режущий инструмент с острыми режущими частями в меньшей степени подвержен заклиниванию, им легче управлять.
- g) **Используйте электроинструмент, принадлежности, вставные резцы и т.д.,**

в соответствии с этой инструкцией и соответствующим образом для каждого вида электроинструментов, принимая во внимание условия работы и вид выполняемой работы. Использование электроинструмента не по назначению может привести к опасным ситуациям.

- h) **Старайтесь, чтобы рукоятки и поверхности захватывания были чистыми, сухими и незагрязненными маслом или смазкой.** Скользкие рукоятки и поверхности захватывания не позволяют обеспечить безопасность работы и управления инструментом в непредвиденных ситуациях.
- 5) **Применение и уход за аккумуляторным инструментом**
 - a) **Перезаряжайте только с помощью зарядного устройства, указанного изготовителем.** Зарядное устройство, пригодное для одного типа аккумуляторных блоков, может быть пожароопасным при использовании с другим аккумуляторным блоком.
 - b) **Пользуйтесь механизированным инструментом только со специально указанными аккумуляторными блоками.** Использование любых других аккумуляторных блоков может привести к травмам и пожару.
 - c) **Когда аккумуляторный блок не используется, держите его подальше от других металлических предметов, например канцелярских скрепок, монет, ключей, гвоздей, винтов и других маленьких металлических предметов, которые могут создать соединение между двумя клеммами.** Короткое замыкание клемм аккумулятора может привести к ожогам или пожару.
 - d) **В случае неправильного использования из аккумулятора может вылиться жидкость. Избегайте контакта с ней. Если контакт случайно произойдет, промойте это место водой. При попадании жидкости в глаза обратитесь за медицинской помощью.** Жидкость, вылившаяся из аккумулятора, может вызвать раздражения и ожоги.
 - e) **Не используйте поврежденные или**

измененные аккумуляторные батареи или инструменты. Поврежденные или измененные аккумуляторные батареи могут работать непредсказуемо, что может привести к возгоранию, взрыву или риску получения травм.

- f) **Не подвергайте аккумуляторные батареи или инструмент воздействию огня или повышенной температуры.** Открытый огонь или воздействие высокой температуры выше 130 °C может привести к взрыву. ПРИМЕЧАНИЕ. Температура 130 °C может быть заменена на температуру 265 °F.
- g) **Следуйте всем инструкциям по зарядке и не заряжайте аккумуляторную батарею или инструмент вне температурного диапазона, указанного в инструкции.** Неправильная зарядка или зарядка вне указанного температурного диапазона может привести к повреждению аккумуляторной батареи и увеличить риск возгорания.
- 6) **Обслуживание**
 - a) **Обслуживание электроинструмента должно выполняться квалифицированным лицом с использованием только оригинальных запасных частей.** Это обеспечит сохранение безопасного использования электроинструмента.
 - b) **Не выполняйте обслуживание поврежденных аккумуляторных батарей.** Обслуживание аккумуляторных батарей должно выполняться только производителем или авторизованными поставщиками услуг.

Дополнительная техника безопасности для дрелей и отверток

- a) **Во время выполнения рабочих операций, где существует возможность соприкосновения принадлежности со скрытой электропроводкой или кабелем питания изделия, электроинструмент необходимо держать только за изолированные поверхности рукояток.** *В случае если режущее приспособление соприкоснется с кабелем под током, металлические детали электроинструмента*

также будут находиться под током, и, как следствие, могут поразить оператора электрическим током.

Правила техники безопасности при использовании длинных насадок

- a) **Не используйте насадку на скорости выше указанной максимальной.** При вращении без контакта с заготовкой на высокой скорости, насадка с высокой вероятностью может погнуться, что может привести к травмам.
- b) **Всегда начинайте сверление на низкой скорости, упереv кончик насадки в заготовку.** При вращении без контакта с заготовкой на высокой скорости, насадка с высокой вероятностью может погнуться, что может привести к травмам.
- c) **Применяйте усилие только параллельно насадке и не применяйте чрезмерное усилие.** Насадки могут погнуться с последующей поломкой или потерей контроля, что может привести к травмам.

Для зарядного устройства Предполагаемое использование

Зарядное устройство предназначено для ионно-литиевых аккумуляторных батарей напряжением 20В (рекомендовано) и емкостью 2,0 или 4,0 Ач. Другие аккумуляторные батареи могут прорваться и нанести увечья и повредить собственность.

- a) **Прибор не должен использоваться лицами (включая детей) с ограниченными физическими, сенсорными или умственными способностями, а также людьми с недостатком опыта и знаний, если они не находятся под контролем и руководством.**
- b) **Следите, чтобы дети не играли с электроинструментом.**
- c) **Не пытайтесь перезаряжать не перезаряжаемые батареи!**
- d) **Во время зарядки батареи должны быть помещены в хорошо проветриваемом помещении!**

Остаточные риски

Даже если электроинструмент используется по назначению, некоторых остаточных рисков не избежать. Конструкция изделия связана со следующими рисками:

- a) Использование электроинструмента в течение длительных периодов времени, а также использование электроинструмента в плохом техническом состоянии, может стать причиной вреда здоровью в результате длительных вибрационных нагрузок.
- b) Разрушение рабочих приспособлений также может стать причиной травм и повреждения личной собственности.



Осторожно! Во время эксплуатации данный электроинструмент излучает электромагнитное поле. Данное электромагнитное поле при определенных обстоятельствах может мешать работе активных и пассивных медицинских имплантатов. В целях избежания фатального исхода в результате неисправности медицинского имплантата получите консультацию у своего лечащего врача и производителя имплантата перед использованием электроинструмента.

2. СВЕДЕНИЯ ОБ ЭЛЕКТРОИНСТРУМЕНТЕ

Предполагаемое использование

Данная беспроводная дрель предназначена для вкручивания и выкручивания шурупов, а также просверливания отверстий в дереве, металле и пластмассе.

Технические спецификации

№ модели	CDM1164
Напряжение	20В
Наибольший диаметр изделия, зажимаемого в патроне	0.8 – 10мм
Настройка крутящего момента	17 + режим сверления
Скорость без нагрузки	
Положение 1:	0-350/мин
Положение 2:	0-1300/мин
Вес	0.8 кг
Уровень давления звука L _{PA}	70.3 дБ(A), K=5дБ(A)
Уровень звуковой мощности L _{WA}	81.3 дБ(A), K=5дБ(A)
Вибрация	2.368 м/с ² k=1.5м/с ²

№ модели	CDA1167
Тип батареи	Литий-ионный
Напряжение	20В
Емкость	2,0 Ач
Рекомендованное зарядное устройство	CDA1169, CDA1170
Вес	0,3 кг

№ модели	CDA1169
Питание зарядного устройства	100-240В~ 50/60Гц макс. 1А
Вывод зарядного устройства	21,5 --- 1,7А
Перезаряжаемая аккумуляторная батарея	20V Li-ion 1,5Ач
Время зарядки батареи 2,0 Ач	90 минут
Время зарядки батареи 4,0 Ач	120 минут
Рекомендованные батареи	CDA1167, CDA1168
Вес	0,15 кг

Используйте только следующие батареи аккумуляторной платформы FX-POWER 20V. Использование любых других батарей может привести к серьезным травмам или повреждению инструмента.

CDA1167 20В, 2 Ач литий-ионный
(в комплекте)

CDA1168 20В, 4 Ач литий-ионный

Для зарядки этих аккумуляторов можно использовать следующее зарядное устройство.

CDA1169 Адаптер зарядного устройства
(в комплекте)

CDA1170 Быстрое зарядное устройство

Батареи аккумуляторной платформы FX-POWER 20V взаимозаменяемы и подходят для всех инструментов аккумуляторной платформы FERM FX-POWER.

Уровень вибрации

Уровень вибрации, указанный в данном руководстве, был измерен в соответствии со стандартизированным испытанием, приведенным в EN62841; он может быть использован для сравнения одного инструмента с другим, а также для предварительной оценки воздействия вибрации при использовании данного инструмента для указанных целей.

- Применение инструмента для других целей, а также использование принадлежностей в плохом состоянии может значительно увеличить уровень вибрации.

- При выключении устройства, а также работе в холостом режиме уровень вибрации значительно уменьшается.

Для защиты от вибрации поддерживайте инструмент и принадлежности в хорошем состоянии, не давайте рукам мерзнуть и организуйте режим работы.

Описание

Цифры в тексте относятся к схемам на страницах 2 - 3.

Рис. А

1. Электроинструмент
2. Батарея
3. Кнопка фиксации батареи
4. Рабочий фонарик
5. Зарядное устройство
6. Светодиодный индикатор зарядного устройства
7. Сверлильный патрон
8. Переключатель скорости
9. Переключатель направления
10. Выключатель
11. Кольцо регулировки крутящего момента
12. Крючок для ремня

3. ЭКСПЛУАТАЦИЯ



Перед использованием электроинструмента аккумуляторную батарею необходимо зарядить.

Снятие аккумуляторной батареи с инструмента (Рис. В)

- Нажмите кнопку фиксации аккумулятора (3) и вытащите аккумулятор из электроинструмента.

Установка аккумуляторной батареи на инструмент (Рис. В)



Перед тем как установить аккумуляторную батарею на инструмент убедитесь в том, что она чистая и сухая.

- Вставьте аккумулятор (2) в основание инструмента.
- Сдвиньте аккумулятор вперед до щелчка.

Зарядка аккумуляторной батареи (с помощью зарядного устройства) (Рис. С)

- Вставьте вилку зарядного устройства в электрическую розетку и немного подождите. Светодиодный индикатор на аккумуляторе (6) загорится и покажет состояние зарядки.
- Подключите выход зарядного устройства к круглому гнезду аккумулятора.

Светодиодный индикатор (6) (Рис. С)

На зарядном устройстве присутствует 1 светодиодный индикатор (6), который указывает на состояние зарядки.

Цвет светодиода	Состояние зарядного устройства
Красный	Происходит зарядка батареи.
Зеленый	Аккумуляторная батарея заряжена.

- Когда зарядка аккумуляторной батареи завершится, извлеките штекер зарядного устройства из розетки и извлеките аккумуляторную батарею из зарядного устройства.



Если инструмент длительное время не используется, аккумуляторную батарею рекомендуется хранить в полностью заряженном состоянии.

Установка сверл и битов отверток (Рис. D)



Перед установкой принадлежностей всегда снимайте аккумуляторную батарею.

Сверлильный патрон (7) подходит для круглых и шестигральных сверл и битов отверток.

- Крепко удерживайте инструмент в одной руке.
- Разожмите патрон (7), поворачивая патрон (8) другой рукой, поворачивая его по часовой стрелке до тех пор, пока в патрон не поместится принадлежность.
- Установите сверло или бит отвертки в патрон.
- Затяните патрон, поворачивая патрон (7) против часовой стрелки.
- Убедитесь в надлежащей установке принадлежности путем кратковременного нажатия выключателя инструмента.

Регулировка скорости (Рис. D)



Не переключайте скорость изделия во время работы электродвигателя - это повредит инструмент.





Не устанавливайте переключатель скорости в среднее положение - это повредит инструмент.

Инструмент имеет 2 скорости, для выбора которых существует переключатель (8). Цифра на переключателе скорости (8) указывает на выбранное положение.

- Положение 1: Для медленного сверления, высверливания больших отверстий и вворачивания шурупов. При малой скорости инструмент имеет большую мощность.
- Положение 2: Для быстрого сверления или высверливания отверстий малого диаметра.

Изменение направления вращения (Рис. E)

- Установите переключатель направления вращения (9) в положение  для вворачивания шурупов и сверления.
- Установите переключатель направления вращения (9) в положение  для выворачивания шурупов.

Включение и выключение инструмента (Рис. E)

Выключатель (10) используется для включения инструмента, а также для выбора скорости вращения.

- Нажатие выключателя (10) приводит инструмент в действие, более сильное нажатие выключателя увеличивает обороты.
- Отпускание выключателя (10) останавливает инструмент.
- Для блокировки движения выключателя переместите переключатель направления вращения (9) в среднее положение.

Изменение крутящего момента (Рис. E)

Инструмент имеет 17 разных параметров крутящего момента и особый режим сверления для передачи крутящего момента на патрон. Благодаря кольцу регулировки крутящего момента (11) шурупы можно

вкручивать до определенной глубины, что позволяет сэкономить время при повторяющихся рабочих операциях. Чем больше цифра, тем сильнее крутящий момент.

- Для малых шурупов и мягкого рабочего материала следует использовать низкий параметр.
- Для больших шурупов, твердого рабочего материала и при выворачивании шурупов следует использовать высокий параметр.
- Для вворачивания шурупов рекомендуется использовать наименьший параметр. Если электродвигатель начинает проскальзывать до того, как шуруп был полностью вкручен, увеличьте параметр.
- Для сверления установите кольцо выбора крутящего момента (11) в положение режима сверления (▲▼), до конца повернув его против часовой стрелки.



Убедитесь, что направление вращения (9) установлено в положение во время сверления.



Инструмент оснащен электронной функцией защиты от перегрузки. В случае перегрузки инструмент автоматически выключится. В таком случае подождите несколько секунд, пока функция защиты от перегрузки не отключится.

4. ОБСЛУЖИВАНИЕ



Перед очисткой и обслуживанием всегда отключайте электроинструмент и извлекайте аккумуляторную батарею.

Регулярно очищайте корпус электроинструмента мягкой тряпкой, желательно, после каждого использования. Убедитесь, что вентиляционные отверстия чисты от пыли и грязи. Для удаления особо сильных загрязнений используйте мягкую тряпку с мыльной пеной. Не используйте растворители, такие как бензин, спирт, аммиак и т. д. Химические вещества повредят синтетические компоненты.

ОКРУЖАЮЩАЯ СРЕДА



Неисправные электрические и электронные изделия необходимо сдавать в соответствующие пункты утилизации.

Только для стран ЕС

Не выбрасывайте электроинструменты в обычные мусорные корзины. В соответствии с Европейской директивой 2012/19/ЕС об утилизации отработанного электрического и электронного оборудования и ее реализации в государственном законодательстве электроинструменты, которые больше не могут использоваться по назначению необходимо подвергать утилизации дружественным по отношению к окружающей среде способом.

ГАРАНТИЯ

Продукция FERM разработана в соответствии с высочайшими стандартами качества и гарантирует отсутствие дефектов как в материалах, так и в производстве на период, зафиксированный законом с даты первоначальной покупки. Если в рамках данного периода времени обнаружится неисправность, связанная с дефектным материалом и/или дефектом сборки, незамедлительно свяжитесь с дилером компании FERM.

Гарантийные обязательства аннулируются в следующих случаях:

- Были выполнены или были предприняты попытки ремонтных работ или модификаций несанкционированными сервисными центрами.
- Стандартный износ.
- С инструментом небрежно обращались, использовали не по назначению или не проводили корректное техобслуживание.
- Использовали неоригинальные запасные части.

Это единственная гарантия компании как в прямом, так и в косвенном выражении. Другие гарантии отсутствуют как в прямом, так и в

косвенном выражении за пределами лицевого стороны настоящего документа, в том числе косвенные гарантии коммерческой ценности и пригодности для определенной цели.


Компания FERM не несет ответственности за любые случайные или косвенные убытки. Действия дилера ограничены ремонтом или заменой несоответствующих единиц и частей.

В изделие и руководство пользователя могут быть внесены изменения. Спецификации могут быть изменены без предварительного оповещения.

مقايير ليثيوم أيون لاسلكي بقدرة 20 فولت CDM1164

شكرًا لك على شراء منتج Ferm هذا. وبقيامك بعملية الشراء هذه، تمتلك الآن منتجًا ممتازًا مقدمًا من إحدى شركات التوريد الرائدة في أوروبا. فقد تم تصنيع جميع المنتجات التي تقدمها إليك شركة Ferm، وفقًا لأعلى معايير الأداء والسلامة. وكجزء من فلسفتنا، نقدم أيضًا خدمة عملاء ممتازة مدعومة بضمان شامل. نأمل أن تستمتع باستخدام هذا المنتج لسنوات عديدة قادمة.

1. تعليمات السلامة

 اقرأ تحذيرات السلامة المرفقة، وتحذيرات السلامة الإضافية، والتعليمات. فإن التصغير في اتباع تحذيرات السلامة والتعليمات قد يؤدي إلى حدوث صدمة كهربائية و/أو نشوب حريق و/أو وقوع إصابة خطيرة. احتفظ بتحذيرات السلامة والتعليمات من أجل الرجوع إليها في المستقبل.

يتم استخدام الرموز التالية في دليل المستخدم أو على المنتج:

اقرأ دليل المستخدم.



يشير إلى خطر الإصابة الشخصية أو فقدان الحياة أو تلف الأداة، في حالة عدم مراعاة التعليمات الواردة في هذا الدليل.



خطر الصدمة الكهربائية.



السرعة الإلكترونية المتغيرة.



التدوير، يسار / يمين.



تجنب استخدامه في الأمطار.



للاستخدام في الأماكن المغلقة فقط.



الماكينة من الفئة الثانية - العزل المزدوج - لذا، لن تحتاج إلى أي قابس مؤرض.



درجة الحرارة القصوى 45 درجة مئوية



Max 45°C

إمداد الطاقة في وضع التشغيل.



في حالة التعطل، لن يمثل المحول أي خطورة.



لا تلمس البطارية في النار.



لا تلمس البطارية في المياه.



لا تتخلص من المنتجات في حاويات غير مناسبة.



تجميع منفصل لبطارية الليثيوم أيون.



يتوافق المنتج مع معايير السلامة المعمول بها والواردة في التوجيهات الأوروبية.



تحذيرات السلامة العامة للأداة الكهربائية

تحذير اقرأ جميع تحذيرات السلامة وجميع التعليمات. قد يؤدي التقصير في اتباع التحذيرات والتعليمات إلى حدوث صدمة كهربائية و/أو حرق و/أو إصابة شخصية.



احتفظ بجميع التحذيرات والتعليمات من أجل الرجوع إليها في المستقبل.

يشير مصطلح «الأداة الكهربائية» في التحذيرات إلى الأداة الكهربائية التي تعمل بالتيار الرئيسي (سلكية) أو الأداة الكهربائية التي تعمل بالبطارية (لاسلكية).

1 سلامة منطقة العمل

- حافظ على نظافة منطقة العمل وإضاءتها جيدًا. فإن المناطق التي تعميها الفوضى أو المظلمة تساعد في وقوع الحوادث.
- لا تقم بتشغيل الأدوات الكهربائية في الأجواء القابلة للانفجار، كما هو الحال في وجود السوائل أو الغازات أو الغبار القابل للاشتعال. فالأدوات الكهربائية تثنى شرًا قد يشعل الغبار أو الأبخرة.
- ابعد الأطفال والواقفين بجوارك أثناء تشغيل الأداة الكهربائية. فحالات الارتباك قد تؤدي إلى فقدان السيطرة.

2 السلامة الكهربائية

- يجب أن تتوافق قوايس الأدوات الكهربائية مع مأخذ التيار. لا تقم أبدًا بتعديل القابس بأي طريقة. لا تستخدم قوايس أي مهايئ مع الأدوات الكهربائية الموزعة (المتصلة بالأرضية). فستعمل القوايس غير المعثلة ومأخذ التيار المتوافقة على الحد من خطر الصدمة الكهربائية.
- تجنب تلامس الجسم مع الأسطح المؤرضة أو المتصلة بالأرضية، مثل الأنابيب والرادياتيرات والنظارات والثلاجات. فهناك خطر متزايد لحدوث صدمة كهربائية في حالة تأريض جسمك أو اتصاله بالأرضية.

لا تعرّض الأدوات الكهربائية للمطر أو الظروف الرطبة. فإن المياه التي تدخل الأداة الكهربائية ستؤدي إلى زيادة خطر حدوث الصدمة الكهربائية.

لا تسمي استخدام السلك. لا تستخدم أبدًا السلك لحمل الأداة الكهربائية أو سحبها أو فصلها عن مصدر الطاقة. احتفظ بالسلك بعيدًا عن الحرارة أو الزيت أو الحواف الحادة أو الأجزاء المتحركة. فستؤدي الأسلاك التالفة أو المتشابكة إلى زيادة خطر حدوث الصدمة الكهربائية.

عند تشغيل الأداة الكهربائية في الهواء الطلق، استخدم سلك إطالة مناسبًا للاستخدام في الهواء الطلق. فإن استخدام سلك مناسب للاستخدام في الهواء الطلق يحد من خطر حدوث الصدمة الكهربائية.

في حالة عدم تجنب تشغيل أداة كهربائية في موقع رطب، فاستخدم مصدر إمداد محمي بجهاز قاطع الدورة (RCD). فإن استخدام جهاز قاطع الدورة يقلل من خطر الصدمة الكهربائية.

3 السلامة الشخصية

ابق متيقظًا وشاهد ما تقوم به واستعن بالحس السليم عند تشغيل الأداة الكهربائية. لا تستخدم الأداة الكهربائية عندما تكون متعبًا أو تحت تأثير المخدرات أو الكحول أو الأدوية. فإن لحظة الغفلة أثناء تشغيل الأدوات الكهربائية قد تؤدي إلى إصابة شخصية بالغة. استخدم معدات الوقاية الشخصية. ارتد واقي العينين دائمًا. فإن المعدات الوقائية، مثل قناع الغبار أو أحذية السلامة غير الزلقة أو القبعة الصلبة أو واقي السمع، التي يتم استخدامها في الظروف الملائمة ستقلل من حدوث الإصابات الشخصية.

امنع بدء التشغيل غير المقصود. تأكد من وجود المفتاح في وضع إيقاف التشغيل قبل التوصيل بمصدر الطاقة و/أو حزمة البطارية أو والتقاط الأداة أو حملها. فإن حمل الأدوات الكهربائية مع وضع إصبعك على المفتاح أو الأدوات الكهربائية المزودة بالطاقة التي بها المفتاح في وضع التشغيل يؤدي إلى وقوع الحوادث.

قم بإزالة أي مفتاح ربط أو مفتاح ضبط قبل تشغيل الأداة الكهربائية. فإن مفتاح الربط أو المفتاح الذي يُترك متصلًا بجزء دوار من الأداة الكهربائية قد يؤدي إلى إصابة شخصية.

لا تتجاوز الحدود. حافظ على موطن القدم والتوازن الصحيحين في جميع الأوقات. فإن هذا يتيح إمكانية التحكم بشكل أفضل في الأداة الكهربائية في المواقف غير المتوقعة.

ارتد الملابس بطريقة صحيحة. لا ترتدي مجوهرات أو ملابسًا فضفاضة. حافظ على شعرك وملابسك وقفازك بعيدًا عن الأجزاء المتحركة. فإن الملابس الفضفاضة أو المجوهرات أو الشعر الطويل قد يعلق بالأجزاء المتحركة.

إذا تم توفير أجهزة لتوصيل أدوات استخراج الغبار وتجميعه، فتأكد من توصيلها واستخدامها بشكل صحيح. فإن استخدام تجميع الغبار قد يقلل من المخاطر المرتبطة بالغبار.

لا تدع التعود على الاستخدام المتكرر للأدوات يجعلك تتساهل بحيث تتجاهل مبادئ السلامة الخاصة بالأداة. فأي إجراء بدون مبالاة يمكن أن يسبب إصابة خطيرة خلال جزء من الثانية.

4 استخدام الأداة الكهربائية والعناية بها

لا تضغط على الأداة الكهربائية. استخدم الأداة الكهربائية المناسبة لتطبيقك. فإن الأداة الكهربائية المناسبة ستؤدي المهمة بشكل أفضل وأكثر أمانًا وبالمعدل الذي صممت له.

- (b) لا تستخدم الأداة الكهربائية في حالة عدم قيام المفتاح بتشغيلها أو إيقاف تشغيلها. فإن أي أداة كهربائية لا يمكن التحكم فيها باستخدام المفتاح تمثل خطورة ويجب إصلاحها.
- (c) أفضل القابس عن مصدر الطاقة أو أو حزمة البطارية عن الأداة الكهربائية قبل إجراء أي عمليات ضبط أو تغيير الملحقات أو تخزين الأدوات الكهربائية. فإن إجراءات السلامة الوقائية تحد من خطر بدء تشغيل الأداة الكهربائية بشكل مفاجئ.
- (d) قم بتخزين الأدوات الكهربائية الخاملة بعيداً عن متناول الأطفال، ولا تسمح لأي أشخاص ليسوا على دراية بالأداة الكهربائية أو هذه التعليمات بتشغيل هذه الأداة الكهربائية. فإن الأدوات الكهربائية تشكل خطراً في أيدي المستخدمين غير المدربين.
- (e) قم بصيانة الأدوات الكهربائية. قم بالفحص بحثاً عن اختلال محاذة أو التصاق الأجزاء المتحركة، وابتسار الأجزاء، وأي حالة أخرى قد تؤثر في تشغيل الأداة الكهربائية. في حالة تلف الأداة الكهربائية، فقم بإصلاحها قبل الاستخدام. فإن العديد من الحوادث تسبب عن الأدوات الكهربائية المصانة بشكل ضعيف.
- (f) حافظ على حدة أدوات القطع ونظفها. فإن أدوات القطع المصانة بطريقة صحيحة وذات حواف القطع الحادة يقل احتمال التصاقها ويسهل التحكم فيها بشكل أكبر.
- (g) استخدم الأداة الكهربائية، والملحقات، ولقمت الأدوات وغيرها وفقاً لهذه التعليمات، مع مراعاة ظروف العمل والعمل المراد تنفيذه. فإن استخدام الأداة الكهربائية لعمليات غير تلك المخصصة لها قد يؤدي إلى موقف خطير.
- (h) حافظ على جفاف ونظافة المقابض وأسطح المسك من الزيوت والشحوم. لا تسمح المقابض وأسطح المسك الزلقة بالتعامل والسيطرة الآمنين على الأداة في المواقف غير المتوقعة.
- 5 استخدام أداة البطارية والعناية بها**
- (a) لا تقم بالشحن إلا باستخدام الشاحن المحدد من قبل الشركة المصنعة. فقد يؤدي شاحن مناسب لأحد أنواع حزمة البطارية إلى حدوث خطر الحريق عند استخدامه مع حزمة بطارية أخرى.
- (b) لا تستخدم الأدوات الكهربائية إلا مع حزم البطاريات المصممة خصيصاً لها. فقد يؤدي استخدام أي حزم بطاريات أخرى إلى حدوث خطر الإصابة والحريق.
- (c) في حالة عدم استخدام حزمة البطارية، فاحفظ بها بعيداً عن الأشياء المعدنية الأخرى، مثل مشابك الورق أو العجلات المعدنية أو المفاتيح أو الأظافر أو البراغى أو الأشياء المعدنية الصغيرة الأخرى التي يمكنها إجراء اتصال من طرف لآخر. فقد يؤدي تقصير طرفي البطارية معاً إلى حدوث حروق أو اندلاع حريق.
- (d) في ظل ظروف إساءة الاستخدام، قد يتم إخراج السائل من البطارية، فتجنب ملامسته. وإذا حدثت الملامسة بطريق الخطأ، فغسلك بغسل بالمياه المتدفقة. في حالة ملامسة السائل للعينين، فاطلب المساعدة الطبية بالإضافة إلى الخطوة السابقة. فقد يؤدي السائل الخارج من البطارية إلى تهيج أو حروق بالعينين.
- (e) لا تستخدم بطارية أو أداة تالفة أو معذلة. يمكن أن تصدر على البطاريات التالفة أو المعذلة سلوكيات غير متوقعة، بما قد يؤدي إلى نشوب حريق أو انفجار أو التعرض لخطر الإصابة.
- (f) لا تعرض البطارية أو الأداة للتيار أو درجات الحرارة المفرطة. يمكن أن يؤدي التعرض للتيار أو لدرجات الحرارة التي تتجاوز ٠٣١ درجة مئوية إلى الانفجار.
- ملاحظة: يمكن استبدال درجة الحرارة "٠٣١ درجة مئوية"

واستخدام درجة الحرارة "٥٦٢ درجة فهرنهايت" بدلاً منها.

(g) التزام بكل تعليمات الشحن ولا تقم بشحن البطارية أو الأداة خارج نطاق درجات الحرارة المحددة في التعليمات. يمكن أن يؤدي الشحن بطريقة غير صحيحة أو في درجات حرارة خارج النطاق المحدد إلى إتلاف البطارية وزيادة خطر نشوب الحريق.

6 الخدمة

- (a) لا تقم بصيانة الأداة الكهربائية إلا لدى فني إصلاح مؤهل وباستخدام قطع الغيار المطابقة فقط. فسيضمن هذا الحفاظ على سلامة الأداة الكهربائية.
- (b) لا تقم على الإطلاق بصيانة البطاريات التالفة. يجب ألا تتم صيانة البطاريات إلا من خلال الشركة المصنعة أو موفري الخدمة المعتمدين فقط.
- تحذيرات السلامة الإضافية للمثاقيب ومفكات البراغي**
- (a) أمسك الأداة الكهربائية من الأسطح القابضة المعزولة عند أداء عملية قد يتلامس فيها ملحق القطع مع أسلاك مغطاة. فإن ملحق القطع الملامس لسلك "مكهرب" يؤدي إلى "كهربة" الأجزاء المعدنية المكشوفة للأداة الكهربائية، وقد يصيب المشغل بصدمة كهربائية.

إرشادات السلامة عند استخدام لقم ثقب طويلة

- (a) لا تقم بالتشغيل بسرعة أعلى من السرعة القصوى المحددة للقممة الثقب. في السرعات العالية، يحتمل أن تنتهي اللقمة إذا دارت بدون أن تلامس سطح العمل، مما ينتج عنه إصابة شخصية.
- (b) ابدأ دائماً بالثقب بسرعة منخفضة وبحث يكون طرف اللقمة ملامساً لقطعة العمل. في السرعات العالية، يحتمل أن تنتهي اللقمة إذا دارت بدون أن تلامس سطح العمل، مما ينتج عنه إصابة شخصية.
- (ج) اضغط في خط مباشر مع اللقمة ولا تفرط في الضغط. قد تلتوي اللقم مسببة الانكسار أو فقدان السيطرة، مما ينتج عنه إصابة شخصية.

بالنسبة للشاحن الاستخدام المقصود

- لشحن حزم البطاريات من نوع ليثيوم أيون القابلة لإعادة الشحن فقط بقدرة 20 فولت (الموصى به) بقوة 2.0 أمبير ساعة أو 4.0 أمبير ساعة. فقد تنفجر أنواع البطاريات الأخرى مسببة إصابة شخصية أو تلفاً.
- (a) الجهاز ليس مخصصاً للاستخدام من قبل أشخاص (بمن فيهم الأطفال) يعانون من نقص في القدرات المادية أو الحسية أو العقلية، أو تعوزهم الخبرة والمعرفة، ما لم يتم الإشراف عليهم أو منحهم التعليمات.
- (b) ويخص الأطفال للإشراف حتى لا يعيثون بالجهاز.
- (ج) لا تُعيد شحن البطاريات غير القابلة لإعادة الشحن!
- (د) وأثناء الشحن، يجب وضع البطاريات في منطقة جيدة التهوية!

المخاطر المتبقية

حتى عندما يتم استخدام الأداة الكهربائية على المحدد، فإنه ليس من الممكن القضاء على جميع عوامل المخاطر المتبقية. فقد تنشأ المخاطر التالية في حالة ملامسة هيكل الأداة الكهربائية وتصميمها:

(أ) الاختلالات الصحية الناجمة عن انبعاث الاهتزاز، في حالة استخدام الأداة الكهربائية على مدار فترة زمنية أطول أو عدم إدارتها بشكل كافٍ وصيانتها بشكل صحيح.

(ب) إصابات وأضرار في الممتلكات بسبب الملحقات المكسورة التي تحطمت فجأة.



تحذير! تنتج هذه الأداة مجالاً كهرومغناطيسياً خلال العملية. وقد يتداخل هذا المجال في بعض الظروف مع الزراعات الطبية النشطة أو السلبية. للحد من خطر الإصابة الخطيرة أو المميتة، نوصي الأشخاص ذوي الزراعات الطبية باستشارة الطبيب والشركة المصنعة للزراعات الطبية قبل تشغيل هذه الأداة الكهربائية.

استخدم البطاريات التالية فقط من منصة بطاريات FX-POWER 20V. يمكن أن يؤدي استخدام أي بطاريات أخرى إلى إصابات خطيرة أو تلف للأداة.

CDA1167 ليثيوم أيون 20 فولت، 2 أمبير ساعة (مضمنة)
CDA1168 ليثيوم أيون 20 فولت، 4 أمبير ساعة

يمكن استخدام الشاحن التالي لشحن هذه البطاريات.
CDA1169 مهاي الشاحن (مضمن)
CDA1170 شاحن السريع

تعد البطاريات الموجودة في منصة البطاريات FX-POWER 20V بطاريات قابلة للتبديل مزودة بجميع أدوات منصة البطاريات FERM FX-POWER.

مستوى الاهتزاز

لقد تم قياس مستوى انبعاث الاهتزاز المذكور في دليل التعليمات هذا وفقاً لاختبار معياري وورد في EN 62841، ويمكن استخدامه لمقارنة أداة واحدة مع أخرى وكنتيجه لتقييم أولي للتعرض للاهتزاز عند استخدام الأداة في التطبيقات المذكورة.

- إن استخدام الأداة في تطبيقات مختلفة، أو مع ملحقات مختلفة أو تمت صيانتها بشكل ضعيف، قد يزيد بشكل كبير من مستوى التعرض.
- إن الأوقات التي يتم خلالها إيقاف تشغيل الأداة أو عند تشغيلها ولكن دون أداء المهمة بالفعل قد يقل بشكل كبير من مستوى التعرض.
- احم نفسك من آثار الاهتزاز من خلال صيانة الأداة وملحقاتها، والحفاظ على دفة يدك، وتنظيم أنماط العمل الخاص بك.

الوصف

تشير الأرقام الواردة في النص إلى الأشكال الموجودة في الصفحات 2-3.

الشكل أ

1. الآلة
2. البطارية
3. زر إلغاء قفل البطارية
4. مصباح العمل
5. الشاحن
6. مؤشر LED للشاحن
7. الظرف
8. مفتاح تحديد التروس
9. مفتاح الاتجاه
10. مفتاح التشغيل / إيقاف التشغيل
11. حلقة ضبط عزم الدوران
12. خداف الحزام

2. معلومات الآلة

الاستخدام المقصود

يستخدم هذا المثقاب اللاسلكي لربط البراغي وفكها، بالإضافة إلى التقب في الخشب والمعدن والبلاستيك.

المواصفات الفنية

رقم الطراز	CDM1164
الجهد الكهربائي	20 فولت
سعة الظرف	0.8 - 10 مم
إعدادات العزم	17 + وضع التقب
سرعة اللاحمل	الموضع 1: 0-350 في الدقيقة الموضع 2: 0-1300 في الدقيقة
الوزن	0.8 كجم
مستوى ضغط الصوت L _{PA}	70.3 ديسيبل (A)، K=5 ديسيبل (A)
مستوى ضغط الصوت L _{WA}	81.3 ديسيبل (A)، K=5 ديسيبل (A)
الاهتزاز	2.368 م/س ² K=1.5 م/س ²

رقم الطراز

رقم الطراز	CDA1167
نوع البطارية	ليثيوم أيون
الجهد الكهربائي	20 فولت
القدرة	2.0 أمبير ساعة
الشاحن الموصى به	CDA1169، CDA1170
الوزن	0.3 كجم

رقم الطراز

رقم الطراز	CDA1169
دخل الشاحن	100-240 فولت~ 50/60 هرتز 1 أمبير كحد أقصى
خرج الشاحن	21.5 V= 1.7A
حزمة البطارية القابلة للشحن	ليثيوم أيون 20 فولت 1.5 أمبير ساعة
وقت الشحن، بطارية بقوة 2.0 أمبير ساعة	90 دقيقة
وقت الشحن، بطارية بقوة 4.0 أمبير ساعة	120 دقيقة
البطاريات الموصى بها	CDA1167، CDA1168
الوزن	0.15 كجم

3. التشغيل

يجب شحن البطارية قبل أول استخدام.



إزالة البطارية من الآلة (الشكل ب)

- ادفع زري إلغاء قفل البطارية (3) وأزل البطارية من الآلة.

تركيب البطارية في الآلة (الشكل ب)

تأكد من نظافة وجفاف الجانب الخارجي للبطارية قبل

توصيلها بالشاحن أو الآلة.



- أدخل البطارية (2) في قاعدة الآلة.
- اضغط على البطارية بشكل أكبر إلى الأمام حتى تستقر في مكانها مع إصدار صوت طققة.

شحن البطارية (باستخدام الشاحن) (الشكل ج)

- قم بتوصيل قابس الشاحن بمنفذ تيار كهربائي وانتظر لوهلة.
- سيضيء مؤشر LED الموجود بالبطارية (6) ويعرض حالة الشحن.
- قم بتوصيل خرج الشاحن في المقبس الدائري الموجود بالبطارية.

مؤشر (6) LED (الشكل ج)

تحتوي البطارية على مؤشر LED واحد (6) يشير إلى حالة عملية الشحن:

مصابيح LED	حالة الشاحن
أحمر	شحن البطارية قيد التقدم
أخضر	انتهى شحن البطارية، وتم شحن البطارية بالكامل

- بعد شحن البطارية بالكامل، قم بإزالة قابس الشاحن من المنفذ، وقم بإزالة البطارية من الشاحن.

وفي حالة عدم استخدام الآلة لفترة زمنية طويلة، فمن الأفضل تخزين البطارية في حالة مشحونة.



تركيب لقم المفكات أو المثاقيب وإزالتها (الشكل د)

قم دائماً بإزالة البطارية قبل تركيب أي ملحق.



إن طرف المثقاب (7) مناسب للقم المفكات والمثاقيب ذات العمود المستدير، بالإضافة إلى العمود السداسي.

- أمسك الآلة بيد واحدة بإحكام.
- افتح خراطة المثقاب (7) عن طريق تدوير الطرف باستخدام يدك الأخرى في اتجاه عقارب الساعة حتى يتم فتحها بشكل أكبر يكفي لتمرير اللقمة فيها.
- أدخل عمود المثقاب أو لقمة المفك.
- أحكم ربط خراطة المثقاب مرة أخرى عن طريق تدوير الطرف (7) في عكس اتجاه عقارب الساعة.
- تحقق من توسيط اللقمة جيداً عن طريق تنشيط مفتاح التشغيل/إيقاف التشغيل بالالة لفترة وجيزة.

ضبط التروس (الشكل د)

لا تقم أبداً بتبديل التروس أثناء تشغيل الموتور، فقد يؤدي هذا إلى تلف الآلة.



ولا تقم أبداً بالتبديل في منتصف الموضعين، فهذا سيعرض التلك للتلف.



تشتمل الآلة على سرعتين للثقب يمكن ضبطهما عن طريق زلق مفتاح التروس (8) للامام أو الخلف. ويبين الرقم الموجود على مفتاح التروس (8) الموضع المختار.

- الموضع 1: للثقب البطيء أو قطر الثقب الكبير أو ربط البراغي.
- وتشتمل الآلة على طاقة عالية في السرعة المنخفضة.
- الموضع 2: للثقب السريع أو قطر الثقب الصغير.

ضبط اتجاه الدوران (الشكل هـ)

- اضبط مفتاح الاتجاه (9) على الموضع ← لربط البراغي أو استخدامها للثقب.
- اضبط مفتاح الاتجاه (9) على الموضع → لإزالة البراغي.

تشغيل الآلة وإيقاف تشغيلها (الشكل هـ)

- يتم استخدام مفتاح التشغيل/إيقاف التشغيل (10) لتنشيط الآلة وضبط سرعة الدوران.
- سيؤدي الضغط على مفتاح التشغيل/إيقاف التشغيل (10) إلى تنشيط الآلة، فكلما زاد الضغط على المفتاح، زادت سرعة دوران المثقاب.
- سيؤدي تحرير مفتاح التشغيل/إيقاف التشغيل (10) إلى إيقاف الآلة.
- حرّك مفتاح عكس الاتجاه (9) إلى الموضع الأوسط لإيقاف حركة مفتاح التشغيل/إيقاف التشغيل.

ضبط قيمة العزم (الشكل هـ)

- تشتمل الآلة على 17 إعداداً مختلفاً لعزم الدوران ووضع ثقب خاص لضبط الطاقة المنقولة إلى الطرف.
- عن طريق تدوير حلقة ضبط عزم الدوران (11)، يمكن ربط البراغي على عمق محدد مسبقاً، وهذا أمر مثالي بالنسبة للعمل المتكرر. فكلما زاد الرقم، سيتم نقل المزيد من عزم الدوران.
- حدد إعداداً منخفضاً للبراغي الصغيرة أو مادة العمل اللينة.
- حدد إعداداً مرتفعاً للبراغي الكبيرة، ومواد العمل الصلبة، وعند إزالة البراغي.
- يجب أن تختار نحو أفضل إعداداً منخفضاً قدر المستطاع عند ربط البراغي. وحدد إعداداً مرتفعاً في حالة انزلاق الموتور قبل إحكام ربط البرغي بشكل كامل.
- بالنسبة للثقب، ادر حلقة ضبط عزم الدوران (11) إلى إعداد الثقب (⚡) عن طريق تدويرها بشكل كامل في عكس اتجاه عقارب الساعة.

تأكد من ضبط مفتاح الاتجاه (9) دائماً ← أثناء الثقب.



- الآلة مزودة بوظيفة الحماية الإلكترونية من الحمل الزائد. وعند زيادة الحمل على الآلة، ستوقف عن التشغيل تلقائياً.
- وعندما يحدث ذلك، يُرجى الانتظار بضع ثوانٍ حتى يتسنى للحماية من الزائد إعادة ضبط نفسها.



4. الصيانة

قبل التنظيف والصيانة، قم دائماً بإيقاف تشغيل الآلة وإزالة البطارية من الماكينة.



قم بتنظيف أغطية الماكينة باستخدام قطعة قماش ناعمة بصفة منتظمة، ويُفضل أن يتم ذلك بعد كل استخدام. وتأكد من خلط فتحات التهوية من الأتربة والأوساخ. وقم بإزالة الأوساخ العنيدة جداً باستخدام قطعة قماش ناعمة مغموسة في رغوة الصابون. لا تستخدم أي منيبات، مثل البنزين والكحول والأمونيا وغيرها. فإن مثل هذه المواد الكيميائية ستؤدي إلى تلف المكونات الاصطناعية.

البيئة

يجب تجميع الأجهزة الكهربائية أو الإلكترونية المعيبة و/أو المهملة في مواقع إعادة التدوير المناسبة.



لبلدان الاتحاد الأوروبي فقط

لا تتخلص من الأدوات الكهربائية في النفايات المنزلية. ووفقاً للتوجيه الأوروبي EC/2012/19 بخصوص نفايات المعدات الكهربائية والإلكترونية وتنفيذها في حق وطني، يجب جمع الأدوات الكهربائية التي لم تعد صالحة للاستعمال بشكل منفصل والتخلص منها بطريقة صديقة للبيئة.

الضمان

تم تصنيع منتجات FERM وفق أعلى معايير الجودة، وتتمتع بضمان ضد عيوب المواد الخام وعيوب الصناعة للفترة المنصوص عليها قانونياً بدءاً من تاريخ الشراء الأصلي. في حالة ظهور أي عيب أثناء تلك الفترة بسبب عيب في المادة الخام و/أو الصناعة، فاتصل بوكيل FERM على الفور.

يتم استثناء الظروف التالية من هذا الضمان:

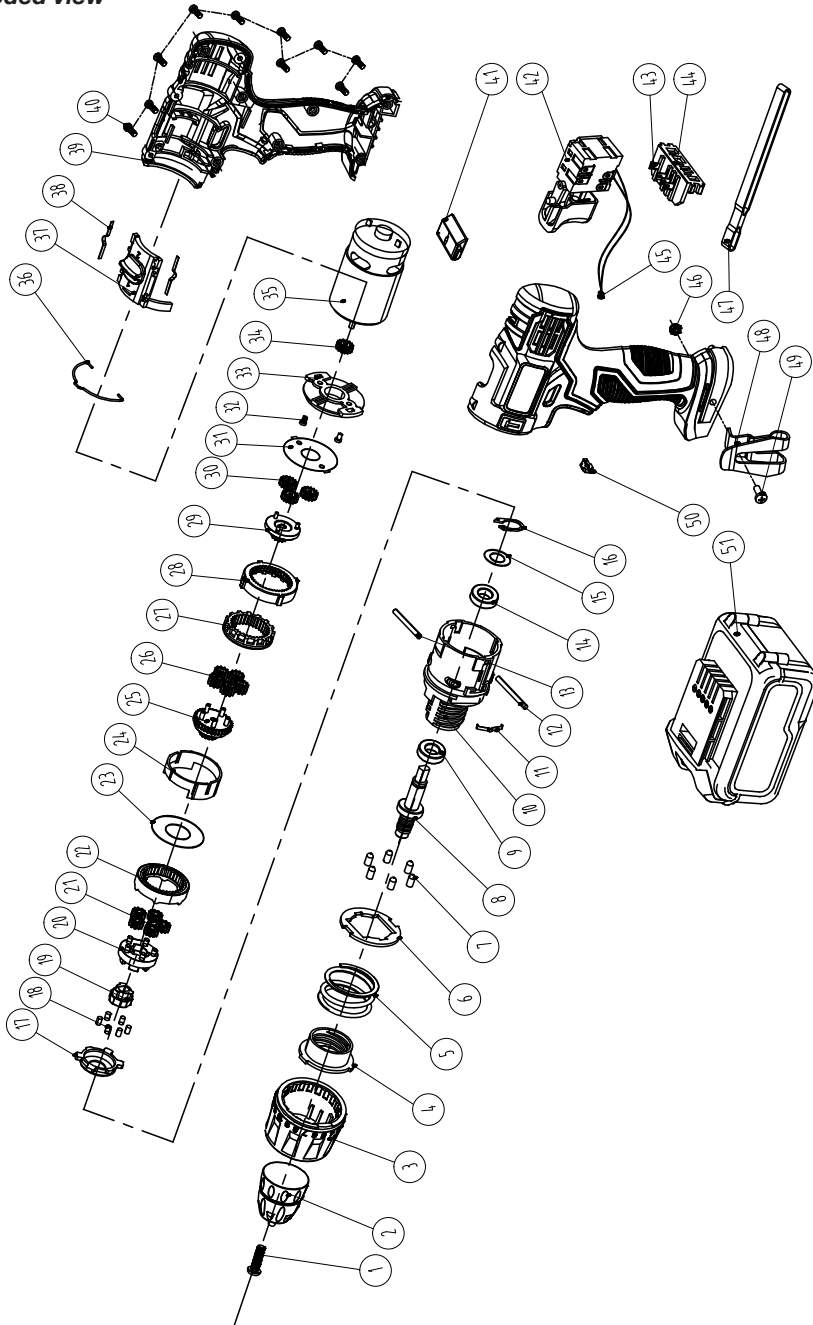
- إجراء عمليات إصلاح و/أو استبدال أو محاولة إجرائها على الماكينة في مراكز خدمة غير معتمدة.
- عمليات البلى والتآكل الطبيعية.
- حالات إساءة استعمال الأداة أو سوء استخدامها أو إجراء صيانة غير مناسبة.
- استخدام قطع غيار غير أصلية.

ويستلزم ذلك إصدار ضمان فردي من قبل الشركة سواء كان صريحاً أم ضمنيّاً. لن تكون هناك أي ضمانات أخرى صريحة أو ضمنية والتي تتجاوز الفترة الموضحة هنا، بموجب هذه الوثيقة، بما في ذلك الضمانات الضمنية لقبولية الترويج والملاءمة لغرض معين. بأي حال من الأحوال، لن تكون FERM مسؤولة عن أي أضرار عرضية أو تبعية. ستكون سبل الانتصاف من قبل الوكلاء مقتصرة على عمليات الإصلاح أو الاستبدال للأجزاء أو قطع الغيار غير المطابقة للمواصفات.

المنتج ودليل المستخدم عرضة للتغيير. ويمكن تغيير المواصفات دون إشعار آخر.



Exploded view





DECLARATION OF CONFORMITY CDM1164 - CORDLESS DRILL

- (EN) We declare under our sole responsibility that this product is in conformity with directive 2011/65/EU of the European parliament and of the council of 8 June on the restriction of the use of certain hazardous substances in electrical and electronic equipment is in conformity and accordance with the following standards and regulations:
- (DE) Der Hersteller erklärt eigenverantwortlich, dass dieses Produkt der Direktive 2011/65/EU des Europäischen Parlaments und des Rats vom 8. Juni 2011 über die Einschränkung der Anwendung von bestimmten gefährlichen Stoffen in elektrischen und elektronischen Geräten entspricht, den folgenden Standards und Vorschriften entspricht:
- (NL) Wij verklaaren onder onze volledige verantwoordelijkheid dat dit product voldoet aan de conform Richtlijn 2011/65/EU van het Europees Parlement en de Raad van 8 juni 2011 betreffende beperking van het gebruik van bepaalde gevaarlijke stoffen in elektrische en elektronische apparatuur en in overeenstemming is met de volgende standaarden en reguleringen:
- (FR) Nous déclarons sous notre seule responsabilité que ce produit est conforme aux standards et directives suivants: est conforme à la Directive 2011/65/EU du Parlement Européen et du Conseil du 8 juin 2011 concernant la limitation d'usage de certaines substances dangereuses dans l'équipement électrique et électronique.
- (ES) Declaramos bajo nuestra exclusiva responsabilidad que este producto cumple con las siguientes normas y estándares de funcionamiento: se encuentra conforme con la Directiva 2011/65/UE del Parlamento Europeo y del Consejo de 8 de junio de 2011 sobre la restricción del uso de determinadas sustancias peligrosas en los equipos eléctricos y electrónicos.
- (PT) Declaramos por nossa total responsabilidade de que este produto está em conformidade e cumpre as normas e regulamentações que se seguem: está em conformidade com a Directiva 2011/65/UE do Parlamento Europeu e com o Conselho de 8 de Junho de 2011 no que respeita à restrição de utilização de determinadas substâncias perigosas existentes em equipamento eléctrico e electrónico.
- (IT) Dichiariamo, sotto la nostra responsabilità, che questo prodotto è conforme alle normative e ai regolamenti seguenti: è conforme alla Direttiva 2011/65/UE del Parlamento Europeo e del Consiglio dell'8 giugno 2011 sulla limitazione dell'uso di determinate sostanze pericolose nelle apparecchiature elettriche ed elettroniche.
- (SV) Vi garanterar på eget ansvar att denna produkt uppfyller och följer följande standarder och bestämmelser: uppfyller direktiv 2011/65/UE från Europeiska parlamentet och EG-rådet från den 8 juni 2011 om begränsningen av användning av farliga substanser i elektrisk och elektronisk utrustning.
- (FI) Vakuutamme yksinomaan omalla vastuullamme, että tämä tuote täyttää seuraavat standardit ja säädökset: täyttää Euroopan parlamentin ja neuvoston 8. kesäkuuta 2011 päivätyn direktiivin 2011/65/EU vaatimukset koskien vaarallisten aineiden käytön rajoitusta sähkö- ja elektronisissa laitteissa.
- (NO) Vi erklærer under vårt eget ansvar at dette produktet er i samsvar med følgende standarder og regler: er i samsvar med EU-direktiv 2011/65/UE fra Europa-parlamentet og Europa-rådet, pr. 8 juni 2011, om begrensning i bruken av visse farlige stoffer i elektrisk og elektronisk utstyr.
- (DA) Vi erklærer under eget ansvar, at dette produkt er i overensstemmelse med følgende standarder og bestemmelser: er i overensstemmelse med direktiv 2011/65/UE fra Europa-Parlamentet og Rådet af 8. juni 2011 om begrænsning af anvendelsen af visse farlige stoffer i elektrisk og elektronisk udstyr.
- (HU) Felelősségünk teljes tudatában kijelentjük, hogy ez a termék teljes mértékben megfelel az alábbi szabványoknak és előírásoknak: je v souladu se směrnici 2011/65/EU Evropského parlamentu a Rady EU ze dne 8. června 2011, která se týká omezení použití určitých nebezpečných látek v elektrických a elektronických zařízeních.
- (CS) Na naši vlastní zodpovědnost prohlašujeme, že je tento výrobek v souladu s následujícími standardy a normami: Je v souladu s normou 2011/65/EU Evropského

- parlamentu a Rady z 8. júna 2011 týkajúcej sa obmedzenia používania určitých nebezpečných látok v elektrickom a elektronickom vybavení.
- (SK) Vyhlasujeme na našu výhradnú zodpovednosť, že tento výrobok je v zhode a súlade s nasledujúcimi normami a predpismi: Je v súlade s normou 2011/65/EU Európskeho parlamentu a Rady z 8. júna 2011 týkajúcej sa obmedzenia používania určitých nebezpečných látok v elektrickom a elektronickom vybavení.
- (SL) S polno odgovornostjo izjavljamo, da je ta izdelek v skladu in da odgovarja naslednjim standardom ter predpisom: je v skladu z direktivo 2011/65/EU Evropskega parlamenta in Sveta z dne 8. junij 2011 o omejevanju uporabe določenih nevarnih snovi v električni in elektronski opremi.
- (PL) Deklarujemy na własną odpowiedzialność, że ten produkt spełnia wymogi zawarte w następujących normach i przepisach: jest zgodny z Dyrektywą 2011/65/UE Parlamentu Europejskiego i Rady z dnia 8 czerwca 2011 r. w sprawie ograniczenia stosowania niektórych niebezpiecznych substancji w sprzęcie elektrycznym i elektronicznym.
- (LT) Prisiimdam visą atsakomybę deklaruojame, kad šis gaminy atitinka žemiau paminėtų standartus arba nuostatus: atitinka 2011 m. birželio 8 d. Europos Parlamento ir Tarybos direktyvą 2011/65/EB dėl tam tikrų pavojingų medžiagų naudojimo elektros ir elektroninėje įrangoje apribojimo.
- (LV) Ir atbilstoši Eiropas Parlamenta un Padomes 2011. gada 8. jūnija Direktīvai 2011/65/ES par dažū bīstamu vielu izmantošanas ierobežošanu elektriskās un elektroniskās iekārtās.
- (ET) Aggallvojam ar visū atbildidū, ka šis produkts ir saskaņā un atbilst sekojošiem standartiem un nolikumiem: ir atbilstoši Eiropas Parlamenta un Padomes 2011. gada 8. jūnija Direktīvai 2011/65/ES par dažū bīstamu vielu izmantošanas ierobežošanu elektriskās un elektroniskās iekārtās.
- (RO) Declăram prin această cu răspundereă deplină că produsul acesta este în conformitate cu următoarele standarde sau directive: este în conformitate cu Directiva 2011/65/UE a Parlamentului European și a Consiliului din 8 iunie 2011 cu privire la interzicerea utilizării anumitor substanțe periculoase la echipamentele electrice și electronice.
- (HR) Izjavljujemo pod vlastitom odgovornošću da je strojem ukladan sa slijedećim standardima ili standardiziranim dokumentima i u skladu sa odredbama: usklađeno s Direktivom 2011/65/EU europskog parlamenta i vijeća izdanom 8. lipnja 2011. o ograničenju korištenja određenih opasnih tvari u električnoj i elektroničkoj opremi.
- (SR) Izjavljujemo, pod isključivom odgovornošću, da je proizvod usaglašen sa Smernicom 2011/65/EU Evropskog parlamenta i da je usaglašen sa Savetom od 9 juna, za ograničenje korišćenja određenih opasnih supstanci u električnoj i elektronskoj opremi prema sledećim standardima i regulativima
- (RU) Под свою ответственность заявляем, что данное изделие соответствует требованиям следующим стандартам и нормам: соответствует требованиям Директивы 2011/65/ЕU Европейского парламента и совета от 8 июня 2011 г. по ограничению использования определенных опасных веществ в электрическом и электронном оборудовании
- (UK) На свою власну відповідальність заявляємо, що дане обладнання відповідає наступним стандартам і нормативам: задовольняє вимоги Директиви 2011/65/ЄС Європейського Парламенту та Ради від 8 червня 2011 року на обмеження використання деяких небезпечних речовин в електричному та електронному обладнанні.
- (EL) Δηλώνουμε υπεύθυνα ότι το προϊόν αυτό συμφώνει και τηρεί τους παρακάτω κανονισμούς και πρότυπα: συμμορφώνεται με την Οδηγία 2011/65/ΕΕ του Ευρωπαϊκού Κοινοβουλίου και του Συμβουλίου της 8ης Ιουνίου 2011 για τον περιορισμό της χρήσης ορισμένων επικίνδυνων ουσιών σε ηλεκτρικό και ηλεκτρονικό εξοπλισμό.
- (AR) يعلن على مسؤوليتنا وحدنا ان هذا المنتج يتوافق مع المعايير والالتزامات التالية:
- (TR) Tek sorumluluk biz olarak bu ürünüñ aşağıdaki standart ve yönergelere uygun olduđunu beyan ederiz.

EN 55014-1, EN 55014-2, EN61000-3-2, EN61000-3-3, EN 62841-1,
EN62841-2-1, EN60335-1, EN60335-2-29, EN62233

2006/42/EC, 2011/65/EU, 2012/19/EC, 2014/35/EU, 2014/30/EU

Zwolle, 01-06-2021

H.G.F Rosberg
CEO FERM

FERM - Lingenstraat 6 - 8028 PM - Zwolle - The Netherlands

