

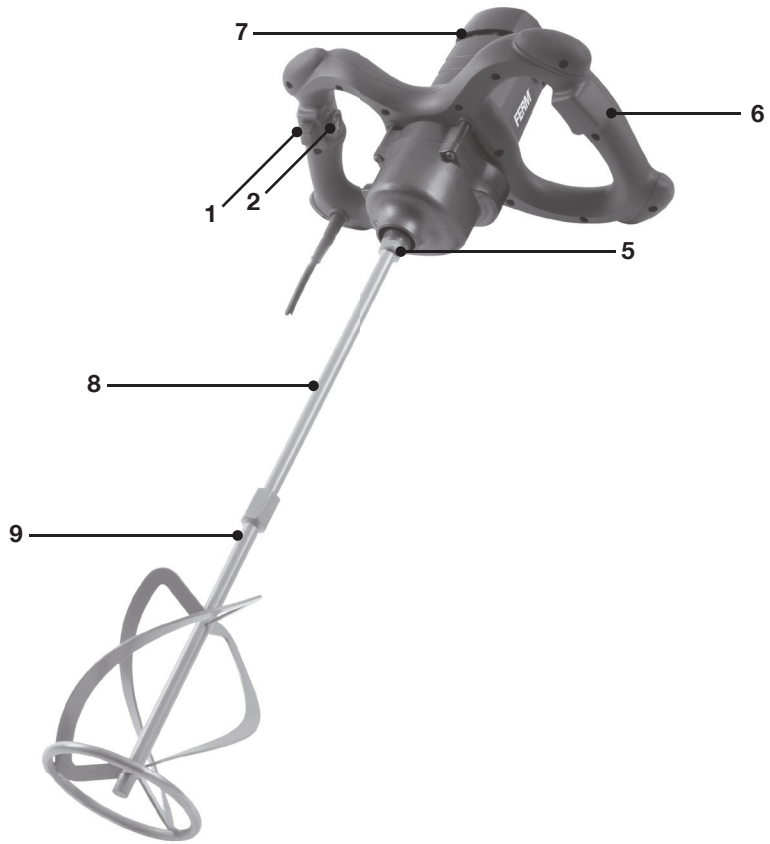
# FERM®

POWER SINCE 1965

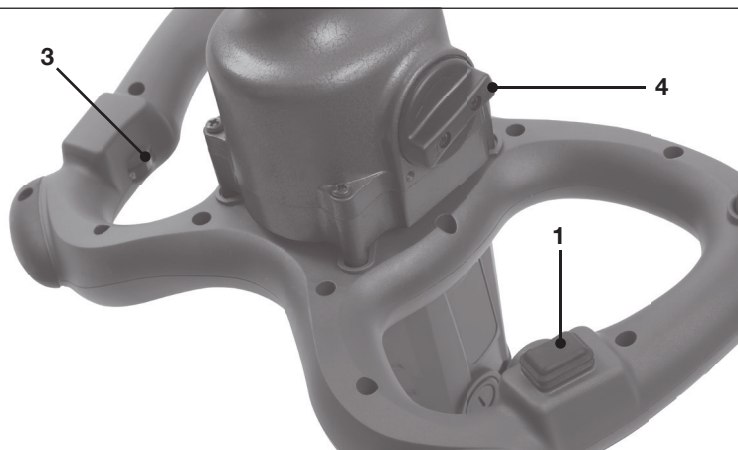


## PMM1010

EN	Original instructions	03
RU	Перевод исходных инструкций	08
TR	Orijinal talimatların çevirisi	15



**Fig. A**



**Fig. B**

## PAINT/CEMENT MIXER PMM1010

**Thank you for buying this Ferm product.** By doing so you now have an excellent product, delivered by one of Europe's leading suppliers. All products delivered to you by Ferm are manufactured according to the highest standards of performance and safety. As part of our philosophy we also provide an excellent customer service, backed by our comprehensive warranty. We hope you will enjoy using this product for many years to come.

### 1. SAFETY INSTRUCTIONS

#### Explanation of the symbols



Read the operating instructions carefully before using this device. Familiarise yourself with its functions and basic operation. Service the device as per the instructions to ensure that it always functions properly. The operating instructions and the accompanying documentation must be kept in the vicinity of the device.



Denotes risk of personal injury, loss of life or damage to the tool in case of nonobservance of the instructions in this manual.



Denotes risk of electric shock.



Variable speed control.



Wear dust protection.



Wear ear and eye protection.



Class II machine - Double insulation - You don't need any earthed plug.



The product is in accordance with the applicable safety standards in the European directives.

## GENERAL POWER TOOL SAFETY WARNINGS



#### **WARNING!**

**Read all safety warnings and all instructions.** Failure to follow the warnings and instructions may result in electric shock, fire and/or serious injury.

#### **Save all warnings and instructions for future reference.**

The term "power tool" in the warnings refers to your mains-operated (corded) power tool or battery-operated (cordless) power tool.

#### **1) Work area safety**

- a) **Keep work area clean and well lit.** Cluttered or dark areas invite accidents.
- b) **Do not operate power tools in explosive atmospheres, such as in the presence of flammable liquids, gases or dust.** Power tools create sparks which may ignite the dust or fumes.
- c) **Keep children and bystanders away while operating a power tool.** Distractions can cause you to lose control.

#### **2) Electrical safety**

- a) **Power tool plugs must match the outlet. Never modify the plug in any way. Do not use any adapter plugs with earthed (grounded) power tools.** Unmodified plugs and matching outlets will reduce risk of electric shock.
- b) **Avoid body contact with earthed or grounded surfaces, such as pipes, radiators, ranges and refrigerators.** There is an increased risk of electric shock if your body is earthed or grounded.
- c) **Do not expose power tools to rain or wet conditions.** Water entering a power tool will increase the risk of electric shock.
- d) **Do not abuse the cord. Never use the cord for carrying, pulling or unplugging the power tool. Keep cord away from heat, oil, sharp edges or moving parts.** Damaged or entangled cords increase the risk of electric shock.
- e) **When operating a power tool outdoors, use an extension cord suitable for outdoor use.** Use of a cord suitable for outdoor use reduces the risk of electric shock.

- f) **If operating a power tool in a damp location is unavoidable, use a residual current device (RCD) protected supply.** *Use of an RCD reduces the risk of electric shock.*
- 3) Personal safety**
- a) **Stay alert, watch what you are doing and use common sense when operating a power tool. Do not use a power tool while you are tired or under the influence of drugs, alcohol or medication.** *A moment of inattention while operating power tools may result in serious personal injury.*
- b) **Use personal protective equipment. Always wear eye protection.** *Protective equipment such as dust mask, non-skid safety shoes, hard hat, or hearing protection used for appropriate conditions will reduce personal injuries.*
- c) **Prevent unintentional starting. Ensure the switch is in the off-position before connecting to power source and/or battery pack, picking up or carrying the tool.** *Carrying power tools with your finger on the switch or energising power tools that have the switch on invites accidents.*
- d) **Remove any adjusting key or wrench before turning the power tool on.** *A wrench or a key left attached to a rotating part of the power tool may result in personal injury.*
- e) **Do not overreach. Keep proper footing and balance at all times.** *This enables better control of the power tool in unexpected situations.*
- f) **Dress properly. Do not wear loose clothing or jewellery. Keep your hair, clothing and gloves away from moving parts.** *Loose clothes, jewellery or long hair can be caught in moving parts.*
- g) **If devices are provided for the connection of dust extraction and collection facilities, ensure these are connected and properly used.** *Use of dust collection can reduce dust related hazards.*
- 4) Power tool use and care**
- a) **Do not force the power tool. Use the correct power tool for your application.** *The correct power tool will do the job better and safer at the rate for which it was designed.*
- b) **Do not use the power tool if the switch does not turn it on and off.** *Any power tool that cannot be controlled with the switch is dangerous and must be repaired.*
- c) **Disconnect the plug from the power source and/or the battery pack from the power tool before making any adjustments, changing accessories, or storing power tools.** *Such preventive safety measures reduce the risk of starting the power tool accidentally.*
- d) **Store idle power tools out of the reach of children and do not allow persons unfamiliar with the power tool or these instructions to operate the power tool.** *Power tools are dangerous in the hands of untrained users.*
- e) **Maintain power tools. Check for misalignment or binding of moving parts, breakage of parts and any other condition that may affect the power tool's operation. If damaged, have the power tool repaired before use.** *Many accidents are caused by poorly maintained power tools.*
- f) **Keep cutting tools sharp and clean.** *Properly maintained cutting tools with sharp cutting edges are less likely to bind and are easier to control.*
- g) **Use the power tool, accessories and tool bits etc. in accordance with these instructions, taking into account the working conditions and the work to be performed.** *Use of the power tool for operations different from those intended could result in a hazardous situation.*
- 5) Battery tool use and care**
- a) **Recharge only with the charger specified by the manufacturer.** *A charger that is suitable for one type of battery pack may create a risk of fire when used with another battery pack.*
- b) **Use power tools only with specifically designated battery packs.** *Use of any other battery packs may create a risk of injury and fire.*
- c) **When battery pack is not in use, keep it away from other metal objects, like paper clips, coins, keys, nails, screws or other small metal objects that can make a connection from one terminal to another.** *Shorting the battery terminals together may cause burns or a fire.*

- d) **Under abusive conditions, liquid may be ejected from the battery; avoid contact. If contact accidentally occurs, flush with water. If liquid contacts eyes, additionally seek medical help.** *Liquid ejected from the battery may cause irritation or burns.*

## 6) Service

- a) **Have your power tool serviced by a qualified repair person using only identical replacement parts.** *This will ensure that the safety of the power tool is maintained.*

## SPECIFIC SAFETY INSTRUCTIONS

- **Firmly tighten the mixing paddle, and remove the spanner before starting the machine.**
- **Do not use the power tool for explosive materials (e. g., easily inflammable solvents).** Power tools produce sparks which could ignite developing vapours.
- **In case the power tool should fall into the material to be stirred, pull the plug immediately and have the power tool checked by an after-sales service agent.** Material that has penetrated the power tool can cause damage and lead to an electric shock.
- **Hold the machine firmly with both hands by the insulated gripping surfaces while working and keep proper footing and balance at all times.** The machine is more securely guided with both hands. Loss of control can cause personal injury.
- **Hold power tool by insulated gripping surfaces, when performing an operation where the accessory may contact hidden wiring or its own cord.** The accessory contacting a "live" wire may make exposed metal parts of the power tool "live" and could give the operator an electric shock.
- **Switch off the power tool immediately when the tool insert jams. Be prepared for high reaction torque that can cause kickback.** The tool insert jams when:
  - the power tool is subject to overload or
  - it becomes wedged in the workpiece.
- **Do not mix food.** Power tools and their accessories are not designed for processing food.
- **Keep the cord away from the working area.** The cord may be entangled by the stirrer whisk.

- **The mixing container must be suitable for mixing and must stand securely.** A container that is not properly secured may move uncontrolled.
- **Ensure that no liquid splashes against the housing of the power tool.** Liquid that has penetrated the power tool can cause damage and lead to electric shock.
- **Follow the instructions and warnings in the Material Safety Data Sheets (MSDS) of the material to be mixed.** Material to be mixed may be harmful.
- **In the event of a power interruption, release the locking switch by pressing the on/off switch.** This will prevent the power tool from restarting unintentionally (risk of injury).
- **Do not use the power tool in a stand.**

### Electrical safety

When using electric machines always observe the safety regulations applicable in your country to reduce the risk of fire, electric shock and personal injury. Read the following safety instructions and also the enclosed safety instructions.



*Always check that the power supply corresponds to the voltage on the rating plate.*

### Mains connection

Only use earthed sockets with earthing wire connected per the regulations.

### Using extension cables

Only use an approved extension cable, corresponding to the machine power use. The wires must have a minimum cross section of 1.5 mm<sup>2</sup>. If the cable is on a reel, it must be fully laid out.

## 2. MACHINE INFORMATION

### Intended use

The machine is intended for mixing pulverised building materials such as mortar, plaster, adhesives, as well as solvent free paint, varnish and similar substances. Improper use may damage the tool.

## Technical specifications

Voltage	230-240 V ~
Frequency	50 Hz
Power input	1800 W
No load speed:	
Gear 1	180-400/min
Gear 2	300-700/min
Tool mount	M14
Whisk	Ø 140 mm
Weight	4.45 kg
L <sub>pa</sub> (sound pressure level)	87.6+3 dB(A)
L <sub>wa</sub> (sound power level)	98.6+3 dB(A)
Vibration value	5.187+1,5 m/s <sup>2</sup>

### Vibration level

The vibration emission level stated in this instruction manual has been measured in accordance with a standardised test given in EN 60745; it may be used to compare one tool with another and as a preliminary assessment of exposure to vibration when using the tool for the applications mentioned:

- using the tool for different applications, or with different or poorly maintained accessories, may significantly increase the exposure level.
- the times when the tool is switched off or when it is running but not actually doing the job, may significantly reduce the exposure level.

Protect yourself against the effects of vibration by maintaining the tool and its accessories, keeping your hands warm, and organizing your work patterns

### Description

The numbers in the text refer to the diagrams on page 2.

#### Fig. A

1. On/off switch
2. Lock-on button
3. Speed adjustment wheel
4. Gear selector switch
5. Tool holder
6. Handle
7. Ventilation apertures
8. Whisk shaft
9. Whisk paddle

## 3. ASSEMBLY

### Assembling the two-part whisk

#### Fig. A

1. Screw the Whisk shaft (9A) onto the Whisk paddle (9B)
2. Tighten both parts securely

### Replacing the whisk

#### Fig. A



*Before assembly, always switch off the machine and remove the mains plug from the mains.*

Use only whisks conform to the specified diameter. Always use a whisk that is suitable for the material to be mixed/stirred. Using an unsuitable mixer bar can unnecessarily overload both the machine and yourself.

### Mounting the whisk

1. Screw the assembled whisk into the tool holder (5) in clockwise direction as far as possible.
2. Tighten the whisk into the tool holder using the supplied spanners. To do so, hold the tool holder (5) using one of the supplied spanners, and use the second spanner to tighten the assembled whisk.

### Removing the whisk

1. Loosen the assembled whisk using the supplied spanners. To do so, hold the tool holder (5) using one of the supplied spanners, and use the second spanner to loosen the assembled whisk.
2. Unscrew the whisk from the tool holder (5) in anti-clockwise direction.

## 4. OPERATION

### Switching on and off

#### Fig. A

- To switch on the tool, press and hold the on/off switch (1).
- If you release the on/off switch, the tool will be switched off.

You can lock the on/off switch by pressing the on/off switch (1) and then button (3). The switch lock can be released by briefly pressing the on/off switch.

## Gear selection

### Fig. B

Two mechanical speed ranges can be selected with the gear selector switch (4):

Gear 1	180-400/min
Gear 2	300-700/min

The necessary gear depends on the type of the material mixed and it is recommended to verify it by a practical test.

## Speed adjustment

### Fig. B

The required speed can be adjusted by using the Speed adjustment wheel (3). Also during operation the rotational speed can be adjusted.

- To increase the speed, turn the Speed adjustment knob (3) clockwise.
- To decrease the speed, turn the Speed adjustment knob (3) anti-clockwise. The required speeds depends on the material and can be determined by practical testing.

## Optimum use

- For materials with low viscosity, e.g. emulsion paint, varnishes, adhesive, grouting compound and cement slurry, a stirrer whisk with a so-called left-hand spiral is recommended for optimum use. With a left-hand spiral, the material is moved from the top downwards and the stirrer whisk is pushed upwards. Materials with low viscosity are mixed in a way which minimises splattering, so a low speed is recommended (gear 1).
- For materials with high viscosity, e.g. plaster, concrete, cement, screed, filler and epoxy resin, a stirrer whisk with a so-called right-hand spiral is recommended for optimum use. With a right-hand spiral, the material is moved from the bottom upwards and the stirrer whisk is pulled downwards (working its way into the mixture). Materials with high viscosity are mixed thoroughly, so a high speed is recommended (gear 2).
- For optimum results, move the power tool in an up and down motion while mixing.
- It is recommended to clean the whisk after use, for example by stirring the whisk in a bucket filled with water.

## 5. MAINTENANCE



*Before cleaning and maintenance, always switch off the machine and remove the mains plug from the mains.*

Clean the machine casings regularly with a soft cloth, preferably after each use. Make sure that the ventilation openings are free of dust and dirt. Remove very persistent dirt using a soft cloth moistened with soapsuds. Do not use any solvents such as gasoline, alcohol, ammonia, etc. Chemicals such as these will damage the synthetic components.

## ENVIRONMENT



*Faulty and/or discarded electrical or electronic apparatus have to be collected at the appropriate recycling locations.*

### Only for EC countries

Do not dispose of power tools into domestic waste. According to the European Guideline 2012/19/EU for Waste Electrical and Electronic Equipment and its implementation into national right, power tools that are no longer usable must be collected separately and disposed of in an environmentally friendly way.

## WARRANTY

FERM products are developed to the highest quality standards and are guaranteed free of defects in both materials and workmanship for the period lawfully stipulated starting from the date of original purchase. Should the product develop any failure during this period due to defective material and/or workmanship then contact your FERM dealer directly.

The following circumstances are excluded from this guarantee:

- Repairs and or alterations have been made or attempted to the machine by unauthorized service centers.
- Normal wear and tear.
- The tool has been abused, misused or improperly maintained.
- Non-original spare parts have been used.

This constitutes the sole warranty made by company either expressed or implied. There are no other warranties expressed or implied which extend beyond the face hereof, herein, including the implied warranties of merchantability and fitness for a particular purpose. In no event shall FERM be liable for any incidental or consequential damages. The dealers remedies shall be limited to repair or replacement of nonconforming units or parts.

**The product and the user manual are subject to change. Specifications can be changed without further notice.**

## МИКСЕР ДЛЯ КРАСКИ / ЦЕМЕНТА PMM1010

**Благодарим вас за покупку этого продукта Ferm.** Благодаря этому у вас теперь есть отличный продукт, поставляемый одним из ведущих поставщиков Европы. Вся продукция, поставляемая вам компанией Ferm, изготавливается в соответствии с высочайшими стандартами производительности и безопасности. В рамках нашей философии мы также обеспечиваем отличное обслуживание клиентов, подкрепленное нашей всеобъемлющей гарантией. Мы надеемся, что вы будете получать удовольствие от использования этого продукта долгие годы.

### 1. ИНСТРУКЦИИ ПО ТЕХНИКЕ БЕЗОПАСНОСТИ

#### Пояснение к символам



*Перед использованием этого устройства внимательно прочтите инструкцию по эксплуатации. Ознакомьтесь с его функциями и основными принципами работы. Выполните обслуживание устройства в соответствии с инструкциями, чтобы убедиться, что оно всегда работает правильно. Инструкцию по эксплуатации и сопроводительную документацию следует хранить рядом с устройством.*



*Обозначает риск получения травмы, смерти или повреждения инструмента в случае несоблюдения инструкций в данном руководстве.*



*Обозначает риск поражения электрическим током.*



*Регулировка скорости.*



*Используйте защиту от пыли.*





Используйте средства защиты органов слуха и глаз.



Машина класса II - Двойная изоляция - Вам не нужна заземленная вилка.



Продукт соответствует применимым стандартам безопасности европейских директив.

## ОБЩИЕ ПРЕДУПРЕЖДЕНИЯ ПО ТЕХНИКЕ БЕЗОПАСНОСТИ



### **ПРЕДУПРЕЖДЕНИЕ!**

**Прочтите все предупреждения по технике безопасности и все инструкции.** Несоблюдение предупреждения и инструкции по технике безопасности могут привести к поражению электрическим током, пожару и / или серьезной травме.

### **Сохраните все предупреждения и инструкции для использования в будущем.**

Термин «электроинструмент» в предупреждениях относится к вашему сетевому (проводному) электроинструменту или аккумуляторному (беспроводному) электроинструменту.

#### **1) Безопасность рабочего места**

- a) **Поддерживайте чистоту и хорошее освещение рабочего места.**  
Загроможденные или темные участки могут привести к несчастным случаям.
- b) **Не работайте с электроинструментом во взрывоопасной атмосфере, например, в присутствии легковоспламеняющихся жидкостей, газов или пыли.** Мощность инструмента создает искры, которые могут воспалить пыль или пары.
- в) **Не подпускайте детей и посторонних лиц при работе с электроинструментом.** Отвлечение внимания может привести к потере контроля.

#### **2) Электробезопасность**

- a) **Вилки электроинструмента должны соответствовать розетке. Ни в коем случае не модифицируйте вилку. Не**

**используйте переходные вилки с заземленными электроинструментами.** Не модифицированные заглушки и соответствующие розетки снижают риск поражения электрическим током.

- b) **Избегайте контакта тела с заземленными поверхностями, такими как трубы, радиаторы, плиты и холодильники.** Есть повышенный риск поражения электрическим током, если ваше тело заземлено.
  - в) **Не подвергайте электроинструменты воздействию дождя или влаги.** Вода, попадающая в электроинструмент, будет увеличивать риск поражения электрическим током.
  - г) **Не злоупотребляйте шнуром. Ни в коем случае не используйте шнур для переноски, тяги или отключения электроинструмента. Держите шнур вдали от источников тепла, масла, острых краев или движущихся частей.** Поврежденные или запутанные шнуры увеличивают риск поражения электрическим током.
  - д) **При работе с электроинструментом на открытом воздухе используйте удлинитель, подходящий для использования на открытом воздухе.** Использование кабеля, подходящего для использования на открытом воздухе, снижает риск поражения электрическим током.
  - e) **Если использование электроинструмента во влажной среде неизбежно, используйте источник питания, защищенный устройством защитного отключения (УЗО).** Использование УЗО снижает риск поражения электрическим током.
- #### **3) Личная безопасность**
- a) **Будьте бдительны, следите за своими действиями и руководствуйтесь здравым смыслом при работе с электроинструментом. Не пользуйтесь электроинструментом, если вы устали, находитесь под действием наркотиков, алкоголя или лекарств.** Момент невнимательности при работе с электроинструментом может привести к серьезным травмам.

- б) **Используйте средства индивидуальной защиты. Всегда надевайте защитные очки.** Защитная экипировка например, респиратор, нескользящая защитная обувь, каска или средства защиты органов слуха, используемые в соответствующих условиях, уменьшают риск получения травм.
- в) **Предотвратите непреднамеренный запуск.** Перед подключением к источнику питания и / или аккумуляторной батарее, при поднятии или переноске инструмента **убедитесь, что переключатель находится в выключенном положении.** Ношение электроинструмента с пальцем на выключателе или включение электроинструмента с включенным выключателем приводит к несчастным случаям.
- г) **Перед включением электроинструмента извлеките регулировочный ключ или гаечный ключ.** Гаечный ключ или ключ, оставленный на вращающейся части электроинструмента, может привести к травме.
- д) **Не переусердствуйте. Всегда стойте на ногах и сохраняйте равновесие.** Это позволяет лучше контролировать электроинструмент в неподвижных ситуациях.
- е) **Одевайтесь правильно. Не носите свободную одежду или украшения. Держите волосы, одежду и перчатки подальше от движущихся частей.** Свободная одежда, украшения или длинные волосы могут попасть в движущиеся части.
- ж) **Если предусмотрены устройства для подключения пылеулавливающих и собирающих устройств, убедитесь, что они подключены и правильно используются.** Использование пылеулавливания может снизить опасность, связанную с пылью.
- 4) **Использование и уход за электроинструментом**
- а) **Не применяйте силу к электроинструменту. Используйте правильный электроинструмент для вашей работы.** Правильный электроинструмент делает работу лучше и безопаснее с той скоростью, для которой он был разработан.
- б) **Не используйте электроинструмент, если выключатель не включает и не выключает его.** Любой электроинструмент, который нельзя контролировать с помощью переключателя, опасен и требует ремонта.
- в) **Отключите вилку от источника питания и / или аккумулятор от электроинструмента перед выполнением любых регулировок, заменой принадлежностей или хранением электроинструмента.** Такие профилактические меры безопасности снижают риск случайного запуска электроинструмента.
- г) **Храните неиспользуемые электроинструменты в недоступном для детей месте и не позволяйте лицам, не знакомым с электроинструментом или данными инструкциями, работать с электроинструментом.** Электроинструменты опасны в руках неподготовленных пользователей.
- д) **Обслуживайте электроинструменты.** Проверьте, нет ли перекоса или заедания движущихся частей, поломки частей и любых других условий, которые могут повлиять на работу электроинструмента. В случае повреждения отремонтируйте электроинструмент перед использованием. Многие несчастные случаи вызваны плохо обслуживаемым электроинструментом.
- е) **Держите режущие инструменты острыми и чистыми.** Правильно обслуживаемые режущие инструменты с острыми режущими кромками менее подвержены заеданию и их легче контролировать.
- ж) **Используйте электроинструмент, принадлежности, насадки для инструментов и т. д. в соответствии с данными инструкциями, принимая во внимание условия работы и выполняемую работу.** Использование электроинструмента для операции, отличные от предполагаемых, могут привести к опасной ситуации.

- 5) **Использование аккумуляторного инструмента и уход**
- а) **Заряжайте только зарядным устройством, указанным производителем.** Зарядное устройство, подходящее для одного типа аккумуляторной батареи, может создать риск возгорания при использовании с другим аккумулятором.
- б) **Используйте электроинструменты только со специально предназначенными аккумуляторами.** Использование любых других аккумуляторных блоков может стать причиной травмы или возгорания.
- в) **Когда аккумуляторная батарея не используется, держите ее подальше от других металлических предметов, таких как канцелярские скрепки, монеты, ключи, гвозди, винты или другие мелкие металлические предметы, которые могут соединять одну клемму с другой.** Короткое замыкание клемм аккумулятора может вызвать ожоги или возгорание.
- г) **При неправильных условиях хранения из аккумулятора может вытечь жидкость.** Старайтесь избежать контакта с ней. При случайном контакте промойте место контакта под проточной водой. Если жидкость попала в глаза, срочно обратитесь за медицинской помощью. Вытекающая из аккумулятора жидкость может вызвать раздражение или ожоги.
- б) **Сервис**
- д) **Для обслуживания вашего электроинструмента обратитесь к квалифицированному специалисту по ремонту с использованием только идентичных запасных частей.** Это гарантирует сохранность электроинструмента.

## ОСОБЫЕ ИНСТРУКЦИИ ПО БЕЗОПАСНОСТИ

- **Плотно затяните лопасть для смешивания и снимите гаечный ключ перед запуском машины.**
- **Не используйте электроинструмент для работы со взрывоопасными материалами (например,**

**легковоспламеняющимися растворителями).** Электроинструменты образуют искры, которые могут воспламенить образующиеся пары.

- **Если электроинструмент упал в перемешиваемый материал, немедленно вытащите вилку из розетки и обратитесь в сервисный центр для проверки электроинструмента.** Материал, попавший в электроинструмент, может привести к повреждению и поражению электрическим током.
- **Во время работы крепко держите машину обеими руками за изолированные поверхности для захвата и всегда сохраняйте устойчивое положение и равновесие.** Обеими руками машина управляется более надежно. Потеря управления может привести к травмам.
- **Держите электроинструмент за изолированные поверхности для захвата при выполнении операций, при которых аксессуар может задеть скрытую проводку или собственный шнур.** Принадлежность, контактирующая с проводом под напряжением, может сделать открытые металлические части электроинструмента «под напряжением» и стать причиной поражения оператора электрическим током.
- **Немедленно выключите электроинструмент при застревании вставки инструмента. Будьте готовы к высокому реактивному моменту, который может вызвать отдачу.** Вставка инструмента застревает в следующих случаях:
  - электроинструмент подвержен перегрузке или
  - он заклинивает в заготовке.
- **Не смешивайте пищу.** Электроинструменты и принадлежности к ним не предназначены для обработки пищевых продуктов.
- **Держите шнур подальше от рабочей зоны.** Шнур может быть запутан венчиком мешалки.
- **Емкость для смешивания должна быть пригодной для смешивания и должна стоять надежно.** Контейнер, который не закреплен должным образом, может бесконтрольно перемещаться.

- **Следите за тем, чтобы жидкость не попадала на корпус электроинструмента.** Попадание жидкости в электроинструмент может вызвать повреждение и поражение электрическим током.
- **Следуйте инструкциям и предупреждениям в паспортах безопасности материалов (MSDS) смешиваемого материала.** Смешиваемый материал может быть вредным.
- **В случае перебоев в подаче электроэнергии отпустите переключатель блокировки, нажав переключатель включения / выключения.** Это предотвратит непреднамеренный перезапуск электроинструмента (опасность травмы).
- **Не используйте электроинструмент на подставке.**

### Электробезопасность

При использовании электрических машин всегда соблюдайте правила техники безопасности, действующие в вашей стране, чтобы снизить риск возгорания, поражения электрическим током и травм. Прочтите следующие инструкции по технике безопасности, а также прилагаемые инструкции по безопасности.



*Всегда проверяйте, что напряжение питания соответствует напряжению, указанному на паспортной табличке.*

### Подключение к сети

Используйте только розетки с заземляющим проводом, подключенным в соответствии с правилами.

### Использование удлинительных кабелей

Используйте только утвержденный удлинительный кабель, соответствующий потребляемой мощности машины. Провода должны иметь минимальное сечение 1,5 мм.<sup>2</sup>. Если кабель на катушке, он должен быть полностью разложен.

## 2. ИНФОРМАЦИЯ О МАШИНЕ

### Использование по назначению

Машина предназначена для смешивания измельченных строительных материалов, таких как строительный раствор, штукатурка, клеи, а также не содержащих растворителей красок, лаков и подобных веществ. Неправильное использование может повредить инструмент.

### Технические характеристики

Напряжение	230-240 В ~
Частота	50 Гц
Входная мощность	1800 Вт
Скорость холостого хода:	
Шестерня 1	180-400 / мин
Шестерня 2	300-700 / мин
Крепление для инструмента	M14
Венчик	Ø 140 мм
Вес	4,45 кг
<i>L<sub>pa</sub></i> (уровень звукового давления)	87,6 + 3 дБ (А)
<i>L<sub>wa</sub></i> (уровень звуковой мощности)	98,6 + 3 дБ (А)
Величина вибрации	5.187 + 1,5 м / с <sup>2</sup>

### Уровень вибрации

Уровень вибрации, указанный в данном руководстве, был измерен в соответствии со стандартизированным испытанием, приведенным в EN 60745; его можно использовать для сравнения одного инструмента с другим и в качестве предварительной оценки воздействия вибрации при использовании инструмента в упомянутых областях применения:

- Использование инструмента для различных целей или с другими плохо обслуживаемыми принадлежностями может значительно увеличить уровень воздействия;
- время, когда инструмент выключен или когда он работает, но фактически не выполняет свою работу, может значительно снизить уровень воздействия.

Защитите себя от воздействия вибрации, ухаживая за инструментом и его принадлежностями, согревая руки и систематизируя рабочие схемы.

**Описание**

Цифры в тексте относятся к схемам на странице 2.

**Рис. А**

1. Переключатель включения / выключения
2. Кнопка блокировки
3. Колесо регулировки скорости
4. Переключатель селектора передач
5. Держатель инструмента
6. Ручка
7. Вентиляционные отверстия
8. Вал венчика
9. Венчик

**3. СБОРКА****Сборка венчика из двух частей****Рис. А**

1. Навинтите вал венчика (9А) на лопасть венчика (9В).
2. Надежно затяните обе части

**Замена венчика****Рис. А**

*Перед сборкой всегда выключайте машину и вынимайте вилку из розетки.*

Используйте только венчики указанного диаметра. Всегда используйте венчик, подходящий для перемешиваемого материала. Использование неподходящего миксера может привести к чрезмерной перегрузке как машины, так и вас самих.

**Монтаж венчика**

1. Вкрутите собранный венчик в держатель инструмента (5) по часовой стрелке настолько это возможно.
2. Затяните венчик в держателе инструмента с помощью прилагаемых гаечных ключей. Для этого возьмитесь за держатель инструмента (5) с помощью одного из прилагаемых гаечных ключей и используйте второй гаечный ключ, чтобы затянуть собранный венчик.

**Удаление венчика**

1. Ослабьте собранный венчик с помощью прилагаемых гаечных ключей. Для этого удерживайте держатель инструмента (5) одним из прилагаемых гаечных ключей, а вторым гаечным ключом ослабьте собранный венчик.
2. Выкрутите венчик из держателя инструмента (5) против часовой стрелки.

**4. РАБОТА****Включение и выключение****Рис. А**

- Чтобы включить инструмент, нажмите и удерживайте выключатель (1).
- Если вы отпустите кнопку включения / выключения, инструмент выключится.

Вы можете заблокировать выключатель, нажав выключатель (1), а затем кнопку (3). Блокировку переключателя можно снять, кратковременно нажав переключатель включения / выключения.

**Выбор передач****Рис. В**

С помощью переключателя передач (4) можно выбрать два механических диапазона скорости:

Шестерня 1	180-400/мин
Шестерня 2	300-700/мин

Необходимое снаряжение зависит от типа смешиваемого материала и рекомендуется проверить его практическим тестом.

**Регулировка скорости****Рис. В**

Требуемую скорость можно отрегулировать с помощью колесика регулировки скорости (3). Также во время работы можно регулировать скорость вращения.

- Чтобы увеличить скорость, поверните ручку регулировки скорости (3) по часовой стрелке.
- Чтобы уменьшить скорость, поверните ручку регулировки скорости (3) против часовой стрелки. Требуемые скорости зависят от материала и могут быть определены путем практических испытаний.

### Оптимальное использование

- Для материалов с низкой вязкостью, например, эмульсионных красок, лаков, клея, шпатлевки и цементного раствора, для оптимального использования рекомендуется венчик с так называемой левой спиралью. При использовании левой спирали материал перемещается сверху вниз, а венчик мешалки перемещается вверх. Материалы с низкой вязкостью смешиваются таким образом, чтобы минимизировать разбрызгивание, поэтому рекомендуется низкая скорость (передача 1).
- Для материалов с высокой вязкостью, например, штукатурки, бетона, цемента, стяжки, шпатлевки и эпоксидной смолы, рекомендуется использовать венчик с так называемой правой спиралью. При использовании правой спирали материал перемещается снизу вверх, а венчик мешалки опускается (проникая в смесь). Материалы с высокой вязкостью тщательно перемешиваются, поэтому рекомендуется высокая скорость (передача 2).
- Для получения оптимальных результатов перемешайте электроинструмент вверх и вниз при перемешивании.
- Рекомендуется очистить венчик после использования, например, помешивая венчик в ведре, наполненном водой.

## 5. ОБСЛУЖИВАНИЕ



*Перед чисткой и обслуживанием всегда выключайте машину и вынимайте вилку из розетки.*

Регулярно очищайте корпус машины мягкой тканью, желательно после каждого использования. Убедитесь, что в вентиляционных отверстиях нет пыли и грязи. Удалите очень стойкие загрязнения мягкой тканью, смоченной мыльной водой. Не используйте какие-либо растворители, такие как бензин, спирт, аммиак и т. Д. Такие химические вещества могут повредить синтетические компоненты.

## ОКРУЖАЮЩАЯ СРЕДА



*Неисправные и / или утилизированные электрические или электронные устройства должны быть собраны в соответствующих местах утилизации.*

### Только для стран ЕС

Не выбрасывайте электроинструменты вместе с бытовыми отходами. Согласно Европейской директиве 2012/19 / EU по утилизации электрического и электронного оборудования и ее внедрению в национальное право, электроинструменты, которые больше не могут использоваться, должны собираться отдельно и утилизироваться экологически безопасным способом.

## ГАРАНТИЯ

Продукция FERM разрабатывается в соответствии с высочайшими стандартами качества, и на нее гарантируется отсутствие дефектов материалов и изготовления в течение установленного законом срока, начиная с даты первоначальной покупки. Если в течение этого периода в изделии произойдет какой-либо сбой из-за дефектного материала и / или изготовления, обратитесь напрямую к вашему дилеру FERM.

Гарантия не распространяется на следующие обстоятельства:

- Ремонт и / или изменение машины производились или пытались выполнить неавторизованные сервисные центры.
- Обычный износ.
- Инструмент подвергся злоупотреблению, неправильному использованию или неправильному обслуживанию.
- Использованы неоригинальные запчасти.

Это единственная гарантия компании как в прямом так и в косвенном выражении. Другие гарантии отсутствуют как в прямом так и в косвенном выражении за пределами лицевого стороны настоящего документа, в том числе косвенные гарантии коммерческой ценности и пригодности для определенной цели. Компания FERM не несет ответственности за любые случайные или косвенные убытки.

Действия дилера ограничены ремонтом или заменой несоответствующих единиц и частей.

**В изделие и руководство пользователя могут быть внесены изменения. Спецификации могут быть изменены без предварительного оповещения.**

## Boya/Çimento Karıştırıcı PMM1010

**Bu Ferm ürününü satın aldığınız için teşekkür ederiz.** Bu sayede artık Avrupa'nın önde gelen sağlayıcılarından biri tarafından teslim edilen, mükemmel bir ürüne sahipsiniz. Ferm tarafından size teslim edilen bütün ürünler en yüksek performans ve güvenlik standartlarına göre üretilmiştir. Felsefemizin bir parçası olarak ayrıca kapsamlı garantimiz tarafından desteklenen mükemmel bir müşteri hizmeti sağlıyoruz. Umarız bu ürünü gelecek yıllar boyunca kullanmaktan zevk alırsınız.

### 1. GÜVENLİK TALİMATLARI

#### Sembollerin açıklaması



*Bu cihazı kullanmadan önce çalıştırma talimatlarını dikkatlice okuyun. Cihazın işlevlerini ve temel operasyonunu öğrenin. Her zaman uygun şekilde çalıştığından emin olmak için cihazı talimatlara göre çalıştırın. Çalışma talimatları ve eşlik eden belgeler cihazın yakınında tutulmalıdır.*



*Bu kılavuzdaki talimatlara uymama durumunda bedensel yaralanma, can kaybı veya alete hasar riskini belirtir.*



*Elektrik çarpması riski.*



*Değişken hız kontrolü.*



*Bir toz maskesi takın.*



*Güvenlik eldivenleri giyin. Duyma koruması takın.*



*Çift kat izolasyonlu. Topraklanmış prize ihtiyacınız yok.*



*Ürün Avrupa yönergelerindeki geçerli güvenlik standartlarına uygundur.*



## GENEL ELEKTRIKLİ ALET GÜVENLİK UYARILARI



**UYARI** Tüm güvenlik uyarılarını ve tüm talimatları okuyun. Uyarılara uyulmadı ve talimatlar elektrik çarpmasına, yangına ve/veya ciddi yaralanmalara neden olabilir.

Tüm uyarıları ve talimatları gelecekte başvurmak üzere saklayın.

Uyarılardaki "elektrikli alet" terimi, şebeke elektriği ile çalışan (kablolu) elektrikli alet veya pil ile çalışan (kablesiz) elektrikli alet anlamına gelir.

### 1) İş aşanı güvenliği

- İş alanını temiz ve aydınlık tutun.** Dağınık veya karanlık bölgeler, kazalara davetiye çıkarr.
- Elektrikli aletleri, yanıcı sıvıların, gazların veya tozun var olduğu patlayıcı atmosferlerde kullanmayın.** Elektrikli aletler, tozu veya dumanları ateşleyebilecek kıvılcımlar oluşturur.
- Bir elektrikli aleti kullanırken, çocukları ve çevredekileri uzak tutun.** Dikkatiniz dağılırsa kontrolü kaybedebilirsiniz.

### 2) Elektrik güvenliği

- Elektrikli alet fişleri, prize uygun olmalıdır.** Fişi, hiçbir şekilde modifiye etmeyin. Topraklı elektrikli aletlerle, herhangi bir fiş adaptörü kullanmayın. Modifiye edilmemiş fişler ve buna uygun prizler, elektrik çarpması riskini azaltır.
- Borular, radyatörler, ocaklar ve buzdolapları gibi topraklı yüzeylerle temastan kaçının.** Eğer vücudunuz topraklanmışsa, elektrik çarpması riski daha fazla olur.
- Elektrikli aletleri yağmura veya ıslaklığa maruz bırakmayın.** Bir elektrikli alete su girmesi durumunda, elektrik çarpması riski artacaktır.
- Kabloya kötü davranmayın.** Kabloyu taşıma amacıyla, elektrikli aleti ya da elektrikli aletin fişini çekmek için kullanmayın. Kabloyu ısıdan, yağdan, keskin kenarlardan ya da hareketli parçalardan uzak tutun. Hasar görmüş ya da dolaşmış kablolar, elektrik çarpması riskini artırır.
- Bir elektrikli aleti dış mekanlarda kullanırken, dış mekan kullanımına uygun bir uzatma kablosu kullanın.** Dış mekan kullanımına uygun ir kablo kullanıldığında, elektrik çarpması riski azalır.

- Elektrikli aleti nemli bir konumda çalıştırmak kaçınılmazsa, kaçak akım cihazı (RCD) korumalı bir kaynak kullanın.** RCD kullanımı elektrik çarpması riskini azaltır.

### 3) Kişisel güvenlik

- Elektrikli aleti kullanırken tetikte kalın, ne yaptığınıza dikkat edin ve sağduyulu davranın.** Bir elektrikli aleti yorgun olduğunuzda ya da uyuşturucu, alkol veya ilaç etkisindeyken kullanmayın. Elektrikli aleti kullanırken bir anlık dikkatsizlik ciddi kişisel yaralanmalara neden olabilir.
  - Kişisel koruyucu donanım kullanın. Her zaman göz koruması takın.** Uygun durumlar için kullanılan toz maskesi, kaymaz güvenlik ayakkabıları, baret veya kulak tıkacı gibi koruyucu donanımlar, kişisel yaralanma riskini azaltacaktır.
  - Kasıtsız çalışmayı önleyin. Bir elektrik kaynağını ve/veya pil takımını bağlamadan, aleti kaldırmadan ya da taşımadan önce elektrikli aletin anahtarının kapalı durumda olduğundan emin olun.** Elektrikli aletleri parmağınız anahtar üzerindeyken taşımak veya anahtarı açık elektrikli aletleri harekete geçirmek kazalara davetiye çıkarır.
  - Elektrikli aleti açık duruma getirmeden önce her türlü ayar anahtarını çıkarın.** Elektrikli aletin dönen bir parçasında kalan bir anahtar, kişisel yaralanmalara neden olabilir.
  - Fazla uzanmayın. Ayaklarınızı sağlam basın ve her zaman dengeli olun.** Böylece beklenmeyen durumlarda elektrikli aleti daha iyi kontrol edebilirsiniz.
  - Uygun kıyafetler giyin. Bol kıyafetler giymeyin, takılar takmayın. Saçınızı, kıyafetlerinizi ve eldivenlerinizi, hareketli parçalardan uzak tutun.** Bol kıyafetler, takılar veya uzun saç, hareketli parçalara takılabilir.
  - Eğer cihazlar toz giderme ve toplama tesislerinin bağlantısı için sağlanmışsa, bunların bağlandığından ve düzgün bir şekilde kullanıldığından emin olun.** Toz toplama ile tozla ilgili tehlikeleri azaltılabilir.
- ### 4) Elektrikli alet kullanımı ve bakımı
- Elektrikli aleti zorlamayın. Uygulamanız için doğru elektrikli aleti kullanın.** Doğru elektrikli alet, tasarım amacına uygun olarak işi daha iyi yapacaktır.



- b) **Eğer anahtarlar açılıp kapatılmıyorsa, elektrikli aleti kullanmayın.** Anahtarlar kumanda edilemeyen elektrikli aletler tehlikelidir ve tamir edilmelidir.
- c) **Herhangi bir ayar, aksesuar değişimi ya da depolama işleminden önce elektrikli aletin fişini elektrik kaynağından çıkarın ve/veya pil takımını elektrikli aletten çıkarın.** Bu tür önleyici güvenlik önlemleri, elektrikli aletin kazara çalışma riskini azaltır.
- d) **Boş durumdaki elektrikli aletleri çocukların erişemeyeceği bir yerde muhafaza edin ve elektrikli aletin nasıl çalıştığını ya da bu talimatları bilmeyen kişilerin elektrikli aleti kullanmasına izin vermeyin.** Elektrikli aletler, eğitimsiz kullanıcıların elinde tehlikeli olur.
- e) **Elektrikli aletlerin bakımını yapın.** Hatalı ayarlar veya hareketli parçaların bağlanması, parça kırılmaları ve elektrikli aletin çalışmasını etkileyebilecek diğer durumlar için kontrol gerçekleştirin. Eğer herhangi bir hasar varsa, elektrikli alet kullanılmadan önce tamir edilmelidir. Çoğu kazaya bakımı iyi yapılmayan elektrikli aletler neden olur.
- f) **Kesme aletlerini keskin ve temiz tutun.** Bakımı iyi yapılan ve keskin kenarlara sahip kesme aletlerinde donmalar daha az yaşanır ve kontrol edilmeleri daha kolay olur.
- g) **Elektrikli aleti, aksesuarlarını ve torna kalemlerini bu talimatlara uygun olarak kullanın, çalışma koşullarını ve gerçekleştirilecek olan işi dikkate alın.** Elektrikli aletin kullanım amacı dışında kullanılması, tehlikeli durumlarla sonuçlanabilir.
- 5) **Pilli alet kullanımı ve bakımı**
- a) **Yalnızca üretici tarafından belirtilen şarj aletiyle şarj edin.** Bir türde pil takımı için uygun bir şarj cihazı, başka bir pil takımı ile kullanıldığında yangın riski oluşturabilir.
- b) **Elektrikli aletleri yalnızca özel olarak belirlenmiş pil takımlarıyla kullanın.** Başka pil takımlarının kullanımı yaralanma ve yangın riski oluşturabilir.
- c) **Pil takımı kullanılmadığı zamanda, ataşlar, bozuk paralar, anahtarlar, çiviler, vidalar veya diğer küçük metal nesnelere gibi bir uçtan diğerine bir bağlantı yapabilecek diğer metal nesnelere uzak tutun.** Pil uçlarını birbirine kısa devre yaptırmak yanıklara veya yangına neden olabilir.
- d) **Bozulma durumlarında pilden sıvı çıkabilir; temastan kaçının.** Kazara temas gerçekleşirse, suyla yıkayın. Sıvı gözlerle temas ederse ayrıca tıbbi yardım isteyin. Pilden çıkan sıvı tahrişe veya yanıklara neden olabilir.
- 6) **Servis**
- a) **Elektrikli aletinizin servis işlemlerini, yalnızca aynı yedek parçaları kullanan vasıflı bir tamircinin yapmasını sağlayın.** Bu, elektrikli aletin güvenliğinin korunmasını sağlayacaktır.

## İÇİN İLAVE GÜVENLİK UYARILARI

- **Karıştırma aparatını iyice sıkın ve makineyi çalıştırmadan önce anahtarı çıkarın.**
- **Elektrikli aleti patlayıcı malzemeler (örn., kolay tutuşabilen solventler) için kullanmayın.** Elektrikli aletler, oluşan buharları tutuşturabilecek kıvılcımlar üretir.
- **Elektrikli aletin karıştırılacak malzemenin içine düşmesi durumunda, fişi derhal çekin ve aleti bir satış sonrası servis temsilcisine kontrole götürün.** Elektrikli aletin içerisine giren malzeme hasara ve sonucunda da elektrik çarpmasına neden olabilir.
- **Makineyi çalışırken her iki elinizle yalıtımlı tutma yüzeylerinden sıkıca kavrayın ve daima uygun bir pozisyonda durarak dengeyi koruyun.** Makine her iki elle kavrandığında daha güvenli bir şekilde yönlendirilir. Kontrol kaybı bedensel yaralanmaya neden olabilir.
- **Aletin, gömülü elektrik kablolarına veya kendi kablosuna temas etmesine yol açabilecek durumlarda elektrikli aleti yalıtımlı tutma yüzeylerinden tutun.** Aletin, "elektrik akımı" bulunan kablolarla teması halinde "akım", elektrikli aletin iletken metal parçaları üzerinden operatöre iletilerek elektrik çarpmasına yol açabilir.
- **Aletin ucu takıldığında, aleti derhal kapatın. Geri tepmeye neden olabilecek yüksek reaksiyon torkuna hazırlıklı olun.** Aşağıdaki durumlarda aletin ucu takılabilir:
  - alet aşırı yüklenmeye maruz kaldığında veya
  - iş parçasında sıkıştığında.
- **Yiyecek karıştırmayın.** Elektrikli aletler ve aksesuarları, yiyecek yapımı için tasarlanmamıştır.

- **Kabloyu çalışma alanından uzak tutun.** Kablo, karıştırıcıya takılabilir.
- **Karıştırma kabı karıştırma için uygun olmalı ve sağlam bir şekilde durmalıdır.** Sağlam şekilde sabitlenmeyen bir kap kontrolsüz olarak hareket edebilir.
- **Elektrikli aletin gövdesine sıvı sıçramamasını dikkat edin.** Elektrikli aletin içerisine giren sıvılar hasara ve sonucunda da elektrik çarpmasına neden olabilir.
- **Karıştırılacak malzemenin Malzeme Güvenlik Bilgi Formlarındaki (MSDS) talimatları ve uyarıları takip edin.** Karıştırılacak malzeme zararlı olabilir.
- **Elektrik kesintisi durumunda, açma/kapama düğmesine basarak kilitleme düğmesini serbest bırakın.** Bu, elektrikli aletin istem dışı olarak yeniden çalışmasını (yaralanma riskini) önleyecektir.
- **Elektrikli aleti bir tezgah üzerinde kullanmayın.**

### Elektrik güvenliği

Elektrikli makineleri kullanırken yangın, elektrik çarpması ve bedensel yaralanma riskini azaltmak için ülkenizde geçerli güvenlik düzenlemelerine her zaman uyun. Aşağıdaki güvenlik talimatlarını ve ayrıca ekteki güvenlik talimatlarını okuyun.



*Güç kaynağının voltajının, anma değeri plakası etiketi üzerindeki voltaja karşılık geldiğini her zaman kontrol edin.*

### Elektrik kablolarının veya fişlerin değiştirilmesi

Besleme kablosu zarar gördüyse, tehlikeden kaçınmak için üretici, servis sorumlusu veya bu gibi vasıflı kişiler tarafından değiştirilmelidir.

### Uzatma kablolarının kullanımı

Yalnızca makinenin güç değeri için uygun, onaylanmış uzatma kabloları kullanın. Minimum öz kalınlığı 1.5 mm2'dir. Bir makara uzatma kablosu kullanılan her seferde, her zaman kabloyu tamamen açın.

## 2. MAKİNE BİLGİSİ

### Kullanım amacı

Makine, harç, siva, yapıştırıcılar, solvent içermeyen boya, vernik ve benzeri maddeler

gibi toz haline getirilmiş yapı malzemelerinin karıştırılması için tasarlanmıştır. Uygunsuz kullanım alete zarar verebilir.

### Teknik spesifikasyonlar

Şebeke voltajı	230-240 V ~
Şebeke frekansı	50 Hz
Güç girişi	1800 W
Yüksüz hız:	
Gear 1	180-400/min
Gear 2	300-700/min
Alet tutucu	M14
Çırpma teli	Ø 140 mm
Ağırlık	4.45 kg
Lpa (ses basıncı seviyesi)	87.6+3 dB(A)
Lwa (ses gücü seviyesi)	98.6+3 dB(A)
Titreşim değeri	5.187+1,5 m/s <sup>2</sup>

### Vibrasyon seviyesi

Bu talimat kılavuzunda belirtilen vibrasyon emisyon seviyesi EN 60745'te verilen bir standart teste uygun olarak ölçülmüştür; bir aleti diğeriyle karşılaştırmak ve aleti bahsedilen uygulamalar için kullanırken vibrasyona maruz kalmanın ön değerlendirmesi olarak kullanılabilir:

- aleti farklı uygulamalar veya farklı ya da kötü bakılan aksesuarlarla kullanmak, maruz kalma seviyesini büyük ölçüde artırabilir.
- aletin kapalı olduğu veya çalışıp gerçekten işi yapmadığı zamanlar maruz kalma seviyesini büyük ölçüde düşürebilir.

Aletin ve aksesuarların bakımını yaparak, ellerinizi sıcak tutarak ve çalışma düzenlerinizi organize ederek vibrasyonun etkilerine karşı kendinizi koruyun.

### Açıklama

Metindeki numaralar sayfa 2'teki şemaları işaret etmektedir.

### Şek. A

1. Açma / kapama düğmesi
2. Kilitleme düğmesi
3. Hız ayarlama tekeri
4. Hız seçim düğmesi
5. Alet tutucu
6. Tutamak
7. Havalandırma açıklıkları
8. Karıştırma mili
9. Karıştırıcı aparatı

### 3. MONTAJ

#### İki parçalı karıştırıcının monte edilmesi

##### Şekil A

1. Karıştırma milini (9A) Karıştırıcı aparatına (9B) vidalayın.
2. Her iki parçayı da sağlam şekilde sıkın.

#### Karıştırıcının değiştirilmesi

##### Şekil A



*Montajdan önce daima makineyi kapatın ve fişini prizden çıkarın.*

Sadece belirlenen çapa uygun çırpma tellerini kullanın. Her zaman karıştırılacak/çırpılacak malzemeye uygun bir karıştırıcı kullanın. Uygun olmayan bir karıştırıcı çubuk kullanılması hem makine hem de kullanıcıya aşırı yük yükleyebilir.

#### Karıştırıcının monte edilmesi

1. Monte edilen karıştırıcıyı saat yönünde gittiği yere kadar sıkarak alet tutucuya (5) vidalayın.
2. Karıştırıcıyı, ürünle birlikte gelen anahtarları kullanarak alet tutucuya sıkıca tutturun. Bunu yapmak için, alet tutucusunu (5) ürünle birlikte verilen anahtarlardan birini kullanarak tutun ve monte edilen karıştırıcıyı sıkıkmak için de ikinci anahtar kullanın.

#### Karıştırıcının çıkartılması

1. Ürünle birlikte verilen anahtarları kullanarak monte edilmiş karıştırıcıyı gevşetin. Bunu yapmak için, alet tutucusunu (5) ürünle birlikte verilen anahtarlardan birini kullanarak tutun ve monte edilen karıştırıcıyı gevşetmek için de ikinci anahtar kullanın.
2. Karıştırıcıyı saat yönünün tersi yönde çevirerek alet tutucusundan (5) sökün.

### 4. ÇALIŞTIRMA

#### AÇMA/KAPAMA anahtarı

##### Fig. A

- Cihazı açmak için açma/kapama anahtarına (1) basın.
- Açma/kapama anahtarını bırakırsanız, cihaz kapanır.

Açma/Kapama anahtarını, açma/kapama anahtarına (1) ve ardından düğmeye (2) basarak kilitleyebilirsiniz. Anahtar kilidi açma/kapama anahtarına kısaca basılarak serbest bırakılabilir.

#### Hız seçimi

##### Şekil B

Hız seçme anahtarı (4) kullanılarak iki farklı mekanik hız aralığı seçilebilir:

Hız 1	180-400 dev/dak
Hız 2	300-700 dev/dak

Gerekli hız, karıştırılan malzeme tipine göre değişir ve pratik bir test ile doğrulanması önerilir.

#### Hız ayarı

##### Şekil B

Gerekli hız, Hız ayar tekerleği (3). Ayrıca operasyon sırasında dönme hızı ayarlanabilir.

- Hızı arttırmak için hızı çevirin ayar düğmesi (3) saat yönünde.
- Hızı azaltmak için hızı çevirin ayar düğmesi (3) saat yönünün tersine. Gerekli hızlar malzemeye göre değişir ve pratik testlerle belirlenebilir.

#### Optimum kullanım

- Örneğin emülsiyon boyası, vernikler, yapıştırıcı, derz dolgu macunu ve çimento harcı gibi düşük viskoziteli malzemelerde optimum kullanım için sola doğru dönen spiralli bir karıştırıcı uç önerilir. Sola doğru dönen bir spiral ile, malzeme yukarıdan aşağı doğru hareket ettirilir ve karıştırıcı yukarı doğru itilir. Düşük viskoziteli malzemelerin sıçramayı en aza indirecek şekilde karıştırılması için düşük bir hız önerilir (hız 1).
- Örneğin siva, beton, çimento, şap, dolgu ve epoksi reçinesi gibi yüksek viskoziteli malzemelerde optimum kullanım için sağa doğru dönen spiralli bir karıştırıcı uç önerilir. Sağa doğru dönen bir spiral ile, malzeme aşağıdan yukarı doğru hareket ettirilir ve karıştırıcı uç aşağı doğru çekilir (karışım yönünde çalışır). Yüksek viskoziteli malzemelerin iyice karıştırılması için yüksek bir hız önerilir (hız 2).
- Optimum sonuçlar için, karıştırma sırasında aleti yukarı ve aşağı hareket ettirin.
- Kullanıldıktan sonra karıştırıcı ucu, örneğin suyla dolu bir kovada çalıştırmak suretiyle temizlemeniz önerilir.

## 5. BAKIM



*Temizlik ve bakımdan önce her zaman makineyi kapatın ve şebeke fişini şebekeden çıkarın.*

Makine kaplamalarını yumuşak bir bezle, tercihen her kullanımdan sonra düzenli olarak temizleyin. Havalandırma deliklerinin toz ve kirden arınmış olduğundan emin olun. Çok inatçı kirleri sabun köpüğüyle ıslatılmış yumuşak bir bezle çıkarın. Benzin, alkol, amonyak vs. gibi çözücü maddeleri kullanmayın. Bunlar gibi kimyasallar sentetik bileşenlere zarar verecektir.

## ÇEVRE



*Arızalı ve/veya atılmış elektrikli veya elektronik ekipmanların uygun geri dönüşüm konularında toplanması gerekir.*

### Yalnızca AT ülkeleri için

Elektrikli aletleri evsel atık olarak atmayın. Atık Elektrikli ve Elektronik Donanım için Avrupa İlkeleri 2012/19/EU 'ye ve ulusal hak uygulamasına göre, artık kullanılamaz olan elektrikli aletler ayrı olarak toplanmalı ve çevre dostu bir yolla imha edilmelidir. Ürün ve kullanıcı kılavuzu değişikliğe tabidir. Spesifikasyonlar başka bir uyarı olmaksızın değiştirilebilir.

## GARANTİ

FERM ürünleri yüksek kalite standartları doğrultusunda geliştirilmiştir ve ilk satın alımdan itibaren kanunen belirlenen süre boyunca materyal ve işçilik açısından kusursuz olacağı garanti edilmektedir. Bu süre zarfında, kusurlu materyal ve/veya işçilikten dolayı üründe herhangi bir arıza meydana gelmesi durumunda, doğrudan FERM bayinizle iletişim kurun.

Takip eden durumlar bu garanti kapsamı dışındadır:

- Yetkisiz servis merkezleri tarafından yapılan veya yapılmaya teşebbüs edilen onarım ve/veya değişiklikler.
- Normal aşınma ve eskime.

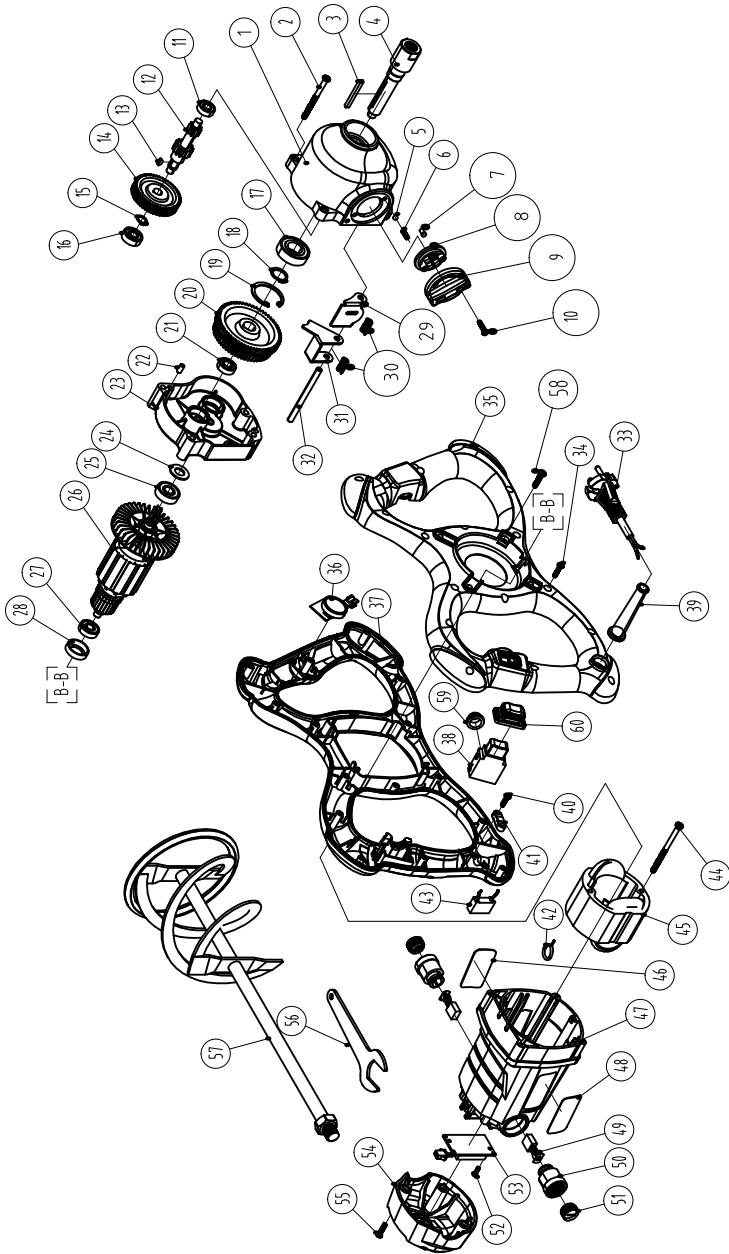
- Cihazın kötü ve yanlış kullanılması veya cihaza yanlış bakım yapılması.
- Orijinal olmayan yedek parçaların kullanılması.

Bu, şirket tarafından açık ya da zımni verilmiş tek garantiyi oluşturur. Belirli bir amaç için ticarete elverişlilik ve uygunluğun zımni garantileri dahil dış görünüşünün ötesine uzanan açık veya zımni başka hiçbir garanti yoktur. FERM herhangi bir arıza veya dolaylı zarardan hiçbir halükarda sorumlu olmayacaktır. Bayilerin getireceği çözümler uygunsuz birimlerin veya parçaların onarımı veya değiştirilmesiyle sınırlı olacaktır.

**Ürün ve kullanıcı kılavuzu değişikliğe tabidir. Spesifikasyonlar başka bir uyarı olmaksızın değiştirilebilir.**



Exploded view





## DECLARATION OF CONFORMITY PMM1010 - PAINT/CEMENT MIXER

- (EN) We declare under our sole responsibility that this product is in conformity with directive 2011/65/EU of the European parliament and of the council of 8 June on the restriction of the use of certain hazardous substances in electrical and electronic equipment is in conformity and accordance with the following standards and regulations:
- (DE) Der Hersteller erklärt eigenverantwortlich, dass dieses Produkt der Direktive 2011/65/EU des Europäischen Parlaments und des Rats vom 8. Juni 2011 über die Einschränkung der Anwendung von bestimmten gefährlichen Stoffen in elektrischen und elektronischen Geräten entspricht. den folgenden Standards und Vorschriften entspricht:
- (NL) Wij verklaren onder onze volledige verantwoordelijkheid dat dit product voldoet aan de conform Richtlijn 2011/65/EU van het Europees Parlement en de Raad van 8 juni 2011 betreffende beperking van het gebruik van bepaalde gevaarlijke stoffen in elektrische en elektronische apparatuur en in overeenstemming is met de volgende standaarden en reguleringen:
- (FR) Nous déclarons sous notre seule responsabilité que ce produit est conforme aux standards et directives suivants: est conforme à la Directive 2011/65/EU du Parlement Européen et du Conseil du 8 juin 2011 concernant la limitation d'usage de certaines substances dangereuses dans l'équipement électrique et électronique.
- (ES) Declaramos bajo nuestra exclusiva responsabilidad que este producto cumple con las siguientes normas y estándares de funcionamiento: se encuentra conforme con la Directiva 2011/65/EU del Parlamento Europeo y del Consejo de 8 de junio de 2011 sobre la restricción del uso de determinadas sustancias peligrosas en los equipos eléctricos y electrónicos.
- (PT) Declaramos por nossa total responsabilidade-de que este produto está em conformidade e cumpre as normas e regulamentações que se seguem: está em conformidade com a Directiva 2011/65/EU do Parlamento Europeu e com o Conselho de 8 de Junho de 2011 no que respeita à restrição de utilização de determinadas substâncias perigosas existentes em equipamento eléctrico e electrónico.
- (IT) Dichiariamo, sotto la nostra responsabilità, che questo prodotto è conforme alle normative e ai regolamenti seguenti: è conforme alla Direttiva 2011/65/EU del Parlamento Europeo e del Consiglio dell'8 giugno 2011 sulla limitazione dell'uso di determinate sostanze pericolose nelle apparecchiature elettriche ed elettroniche.
- (SV) Vi garanterar på eget ansvar att denna produkt uppfyller och följer följande standarder och bestämmelser: uppfyller direktiv 2011/65/EU från Europeiska parlamentet och EG-rådet från den 8 juni 2011 om begränsningen av användning av farliga substanser i elektrisk och elektronisk utrustning.
- (FI) Vakuutamme yksinomaan omalla vastuullamme, että tämä tuote täyttää seuraavat standardit ja säädokset: täyttää Euroopan parlamentin ja neuvoston 8. kesäkuuta 2011 päivätyn direktiivin 2011/65/EU vaatimukset koskien vaarallisten aineiden käytön rajoitusta sähkö- ja elektronisissa laitteissa.
- (NO) Vi erklærer under vårt eget ansvar at dette produktet er i samsvar med følgende standarder og regler: er i samsvar med EU-direktiv 2011/65/EU fra Europaparlamentet og Europa-rådet, pr. 8 juni 2011, om begrensning i bruken av visse farlige stoffer i elektrisk og elektronisk utstyr.
- (DA) Vi erklærer under eget ansvar, at dette produkt er i overensstemmelse med følgende standarder og bestemmelser: er i overensstemmelse med direktiv 2011/65/EU fra Europa-Parlamentet og Rådet af 8. juni 2011 om begrænsning af anvendelsen af visse farlige stoffer i elektrisk og elektronisk udstyr.
- (HU) Fellelősségünk teljes tudatában kijelentjük, hogy ez a termék teljes mértékben megfelel az alábbi szabványoknak és előírásoknak: je v souladu se směrnicí 2011/65/EU Evropského parlamentu a Rady EU ze dne 8. června 2011, která se týká omezení použití určitých nebezpečných látek v elektrických a elektronických zařízeních.
- (CS) Na naši vlastní zodpovědnost prohlašujeme, že je tento výrobek v souladu s následujícími standardy a normami: Je v súlade s normou 2011/65/EU Európskeho parlamentu a Rady z 8. júna 2011 týkajúcej sa obmedzenia používania určitých nebezpečných látok v elektrickom a elektronickom vybavení.
- (SK) Vyhlasujeme na našu výhradnú zodpovednosť, že tento výrobok je v zhode a súlade s nasledujúcimi normami a predpismi: Je v súlade s normou 2011/65/EU Európskeho parlamentu a Rady z 8. júna 2011 týkajúcej sa obmedzenia používania určitých nebezpečných látok v elektrickom a elektronickom vybavení.
- (SL) S polno odgovornostjo izjavljamo, da je ta izdelek v skladu in da odgovarja naslednjim standardom ter predpisom: je v skladu z direktivo 2011/65/EU Evropskega parlamenta in Sveta z dne 8. junij 2011 o omejevanju uporabe določenih nevarnih snovi v električni in elektronski opremi.
- (PL) Deklarujemy na własną odpowiedzialność, że ten produkt spełnia wymogi zawarte w następujących normach i przepisach: jest zgodny z Dyrektywą 2011/65/EU Parlamentu Europejskiego i Rady z dnia 8 czerwca 2011 r. w sprawie ograniczenia stosowania niektórych niebezpiecznych substancji w sprzęcie elektrycznym i elektronicznym.
- (LT) Prisiimdami visą atsakomybę deklaruojame, kad šis gaminytis atitinka žemiau paminėtų standartus arba nuostatus: atitinka 2011 m. birželio 8 d. Europos Parlamento ir Tarybos direktyvą 2011/65/EB dėl tam tikrų pavojingų medžiagų naudojimo elektros ir elektroninėje įrangoje apribojimo.
- (LV) Ir atbilstoša Eiropas Parlamenta un Padomes 2011. gada 8. jūnija Direktīvai 2011/65/ES par dažu bīstamu vielu izmantošanu ierobežošanu elektriskās iekārtās.
- (ET) Aggályojom ar vislelősségünkkel, ka šis produkts ir saskaņā ar atbilst sekjošiem standartiem un noteikumiem: ir atbilstoša Eiropas Parlamenta un Padomes 2011. gada 8. jūnija Direktīvai 2011/65/ES par dažu bīstamu vielu izmantošanas ierobežošanu elektriskās iekārtās.
- (RO) Declaram prin aceasta cu răspunderea deplină că produsul acesta este în conformitate cu următoarele standarde sau directive: este în conformitate cu Directiva 2011/65/UE a Parlamentului European și a Consiliului din 8 Iunie 2011 cu privire la interzicerea utilizării anumitor substanțe periculoase la echipamentele electrice și electronice.
- (HR) Izjavljujemo pod vlastitom odgovornošću da je strojem ukladan sa slijedećim standardima ili standardiziranim dokumentima i u skladu sa odredbama: uskladeno sa Direktivom 2011/65/EU Evropskog parlamenta i vijeća izdanom 8. lipnja 2011. o ograničenju korištenja određenih opasnih tvari u električnoj i elektroničkoj opremi.
- (SRL) Pod punom odgovornošću izjavljujemo da je usaglašen sa sledećim standardima ili normama: usaglašen sa direktivom 2011/65/EU Evropskog parlamenta i Saveta od 8.juna.2011. godine za restrikciju upotrebe određenih opasnih materija u električnoj i elektronojkoj opremi.
- (RU) Под свою ответственность заявляем, что данное изделие соответствует следующим стандартам и нормам: соответствует требованиям Директивы 2011/65/EU Европейского парламента и совета от 8 июня 2011 г. по ограничению использования определенных опасных веществ в электрическом и электронном оборудовании
- (UK) Na svoju vlasnu відповідальність заявляємо, що дане обладнання відповідає наступним стандартам і нормативам: задовольняє вимоги Директиви 2011/65/СС Європейського Парламенту та Ради від 8 червня 2011 року на обмеження використання деяких небезпечних речовин в електричному та електронному обладнанні.
- (EL) Δηλώνουμε υπεύθυνα ότι το προϊόν αυτό συμμορφώνεται και τηρεί τους παρακάτω κανονισμούς και πρότυπα: συμμορφώνεται με την Οδηγία 2011/65/ΕΕ του Ευρωπαϊκού Κοινοβουλίου και του Συμβουλίου της 8ης Ιουνίου 2011 για τον περιορισμό της χρήσης ορισμένων επικίνδυνων ουσιών σε ηλεκτρικό και ηλεκτρονικό εξοπλισμό.
- (AR) نعلن على مسؤوليتنا وحدها ان هذا المنتج متوافق مع المواصفات والمعايير التالية: متوافق مع توجيه 2011/65/UE من البرلمان الأوروبي والمجلس من 8 يونيو 2011 بشأن تقييد استخدام بعض المواد الخطرة في المعدات الكهربائية والإلكترونية.
- (TR) Tek sorumluluş biz olarak bu ürünüñ ařađıdaki standart ve yönetgeregere uygun olduđunu beyan ederiz.
- (MK) Izjavuваме so naša celosna odgovornost дека производот е во согласnost со Смерницата 2011/65/EU на Европскиот парламент и е во согласnost според Советот од 9 јуни за ограничување на користење на одредени опасни супстанции во електричната и електронската опрема и дека е според следните стандарди и регулативи:

EN 55014-1, EN 55014-2, EN 60745-1, EN ISO 12100  
EN 61000-3-2, EN 61000-3-3

2006/42/EC, 2014/30/EU, 2012/19/EU, 2011/65/EU

Zwolle, 01-04-2021

H.G.F Rosberg  
CEO FERM

FERM - Lingenstraat 6 - 8028 PM - Zwolle - The Netherlands

