

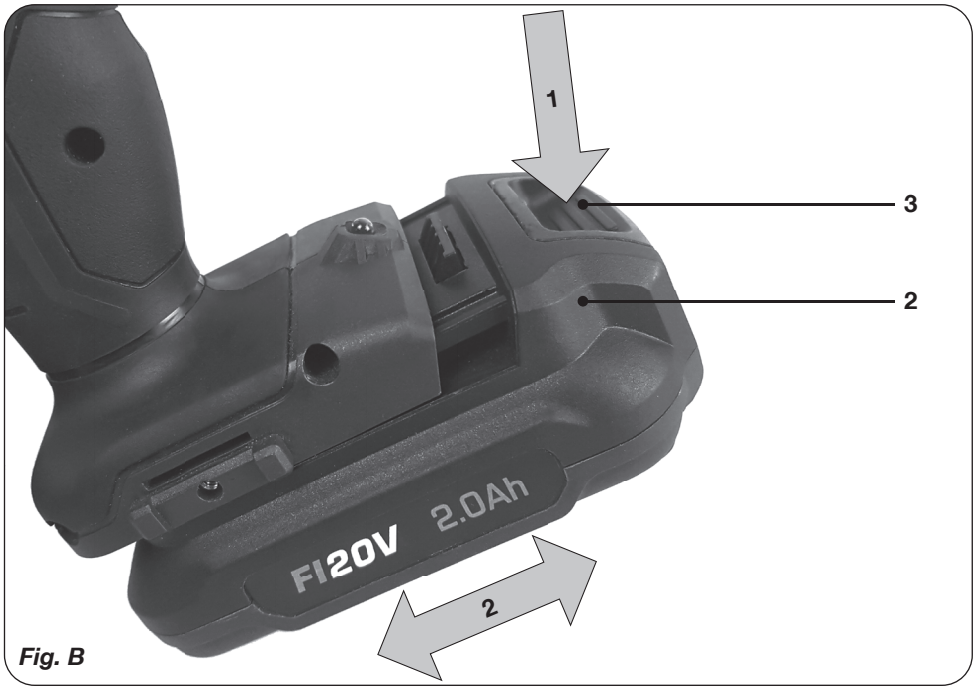


CDM1141P

EN	Original instructions	04	SL	Prevod izvirnih navodil	75
DE	Übersetzung der Originalbetriebsanleitung	09	PL	Tłumaczenie instrukcji oryginalnej	80
NL	Vertaling van de oorspronkelijke gebruiksaanwijzing	16	LT	Originalios instrukcijos vertimas	86
FR	Traduction de la notice originale	22	LV	Instrukciju tulkojums no oriģinālvalodas	92
ES	Traducción del manual original	28	RO	Traducere a instrucțiunilor originale	97
IT	Traduzione delle istruzioni originali	34	BG	Оригинални инструкции	103
SV	Översättning av bruksanvisning i original	40	EL	Μετάφραση του πρωτοτύπου των οδηγιών χρήσης	110
FI	Alkuperäisten ohjeiden käännös	46	AR	تعليمات للاستخدام	116
DA	Oversættelse af den originale brugsanvisning	51			
HU	Eredeti használati utasítás fordítása	57			
CS	Překlad původního návodu k používání	63			
SK	Překlad pôvodného návodu na použitie	69			



Fig. A



Cordless Li-Ion Drill 20V CDM1141P

Thank you for buying this Ferm product. By doing so you now have an excellent product, delivered by one of Europe's leading suppliers. All products delivered to you by Ferm are manufactured according to the highest standards of performance and safety. As part of our philosophy we also provide an excellent customer service, backed by our comprehensive warranty. We hope you will enjoy using this product for many years to come.

1. SAFETY INSTRUCTIONS



Read the enclosed safety warnings, the additional safety warnings and the instructions. Failure to follow the safety warnings and the instructions may result in electric shock, fire and/or serious injury. **Save the safety warnings and the instructions for future reference.**

The following symbols are used in the user manual or on the product:



Read the user manual.



Denotes risk of personal injury, loss of life or damage to the tool in case of non-observance of the instructions in this manual.



Risk of electric shock



Variable electronic speed



Rotation, left/right



Do not use in rain



Indoor use only



Class II machine - Double insulation - You don't need any earthed plug.



Max 40°C

Max temperature 40°C



Do not throw the battery into fire



Do not throw the battery into water



Do not dispose of the product in unsuitable containers.



Separate collection for Li-ion battery.



Time-lag miniature fuse-link



The product is in accordance with the applicable safety standards in the European directives.

Additional safety warnings for drills and screw drivers

Drill safety warnings

- Wear ear protectors when impact drilling.**
Exposure to noise can cause hearing loss.
- Hold the power tool by insulated gripping surfaces, when performing an operation where the cutting accessory may contact hidden wiring.** Cutting accessory contacting a "live" wire may make exposed metal parts of the power tool "live" and could give the operator an electric shock.
- Brace the tool properly before use.** This tool produces a high output torque and without properly bracing the tool during operation, loss of control may occur resulting in personal injury.

Safety instructions when using long drill bits

- Never operate at higher speed than the maximum speed rating of the drill bit.**
At higher speeds, the bit is likely to bend if allowed to rotate freely without contacting the workpiece, resulting in personal injury.
- Always start drilling at low speed and with the bit tip in contact with the workpiece.**
At higher speeds, the bit is likely to bend if allowed to rotate freely without contacting the workpiece, resulting in personal injury.

- c) **Apply pressure only in direct line with the bit and do not apply excessive pressure.** *Bits can bend causing breakage or loss of control, resulting in personal injury.*
- a) Health defects resulting from vibration emission if the power tool is being used over longer period of time or not adequately managed and properly maintained.

- b) Injuries and damage to property due to broken accessories that are suddenly dashed.

Safety warnings for battery

- a) **Do not open the battery.** *Danger of shortcircuiting.*
- b) **Protect the battery against heat, e. g., against continuous intense sunlight, fire, water, and moisture.** *Danger of explosion.*
- c) **In case of damage and improper use of the battery, vapours may be emitted. Ventilate the area and seek medical help in case of complaints.** *The vapours can irritate the respiratory system.*
- d) **Use the battery only in conjunction with your Ferm Industrial product.** *This measure alone protects the battery against dangerous overload.*
- e) **The battery can be damaged by pointed objects such as nails or screwdrivers or by force applied externally.** *An internal short circuit can occur and the battery can burn, smoke, explode or overheat.*

Safety warnings for charger

Intended use

Charge only CDA1132P and CDA1133P type rechargeable Battery packs with the charger.

Only use the following batteries of the Ferm Industrial FI20V battery platform. Using any other batteries could cause serious injury or damage the tool.

CDA1132P 20V, 2Ah Lithium-Ion
CDA1133P 20V, 4Ah Lithium-Ion

The following charger of the can be used to charge these batteries.

CDA1131P Quick charger

The batteries of the Ferm Industrial FI20V battery platform are interchangeable with all the Ferm Industrial FI20V battery platform tools.

Residual risks

Even when the power tool is used as prescribed it is not possible to eliminate all residual risk factors. The following hazards may arise in connection with the power tool's construction and design:



Warning! *This power tool produces an electromagnetic field during operation. This field may under some circumstances interfere with active or passive medical implants. To reduce the risk of serious or fatal injury, we recommend persons with medical implants to consult their physician and the medical implant manufacturer before operating this power tool.*

Power cord replacement

If the supply cord is damaged, it must be replaced by the manufacturer, its service agent or similarly qualified persons in order to avoid a hazard.

2. MACHINE INFORMATION

Intended use

This cordless drill is intended for driving in and loosening screws as well as for drilling in wood, metal and plastic.

Technical specifications

Machine	CDM1141P
Voltage	20V
Chuck capacity	1.5-13mm
No load speed	
Position 1:	0-450/min
Position 2:	0-1700/min
Max torque	50 Nm
Torque settings	21 + drill mode
Weight (without battery pack)	1.24 kg
Sound pressure level	L_{pA} 92 dB(A), K=3dB(A)
Sound power level	L_{WA} 103 dB(A), K=3dB(A)
Vibration	2.93 m/s ² K=1.5 m/s ²

Charger	CDA1131P
Charger input	100-240VAC 50-60Hz, 50W
Charger output	20V 2A
Charging time 2Ah battery	60 minutes
Charging time 4Ah battery	120 minutes
Recommended batteries	CDA1132P, CDA1133P
Weight	0.36 kg

Battery	CDA1132P
Battery Type	Lithium-Ion
Voltage	20V
Capacity	2.0 Ah
Recommended charger	CDA1131P
Weight	0.38 kg

Vibration level

The vibration emission level stated in this instruction manual has been measured in accordance with a standardized test given in EN 62841; it may be used to compare one tool with another and as a preliminary assessment of exposure to vibration when using the tool for the applications mentioned.

- Using the tool for different applications, or with different or poorly maintained accessories, may significantly increase the exposure level.
- The times when the tool is switched off or when it is running but not actually doing the job, may significantly reduce the exposure level.

Protect yourself against the effects of vibration by maintaining the tool and its accessories, keeping your hands warm, and organizing your work patterns.

Description

The numbers in the text refer to the diagrams on pages 2- 3

Fig. A

1. Machine
2. Battery
3. Battery unlock button
4. Battery charge indication
5. Charger
6. Charger LED indicators
7. Chuck
9. Gear selection switch

10. Direction switch
11. On / off switch
12. Torque adjustment ring
13. Work light
14. Belt hook

3. OPERATING



The battery must be charged before first use.

Removing the battery from the machine

Fig. B

- Hold the machine (1) firmly with one hand
- Push down the battery unlock button (3) located on the rear side of the battery (2) with the other hand.
- Keep pushing this button (3) down and slide the battery backwards out of the machine, like shown in Fig. B.

Inserting the battery into the machine

Fig. B



Ensure that the exterior of the battery is clean and dry before connecting to the charger or machine.

- Hold the machine (1) firmly with one hand
- Insert the battery (2) into the base of the machine as shown in Fig. B.
- Push the battery further forward until it clicks into place.

Checking the battery charging status

Fig. C



The included battery is delivered in partly charged condition.

- To check the battery charge status, push the button (4) on battery shortly.
- The battery has 3 lights indicating the charge level, the more lights that burn, the more charge the battery has left.

Charging the battery (with the charger)

Fig. C

- Take the battery (2) from the machine
- Turn the battery (2) to upside down position and slide it onto the charger (5) as shown in Fig. C.
- Push the battery until it is fully pushed into the slot.

- Plug the charger plug into an electrical outlet and wait for a while. The LED indicators on the charger (6) will lighten up and show the charger status.

LED indicators (6)

Fig.C

The charger has 2 LED indicators (6) which indicate the status of the charging process:

Red LED status:	Green LED status:	Charger status
Off	Off	No power
On	Off	Standby mode: -No battery is inserted or, -Battery inserted but charging has finished more then 2 hours ago
Blinking	Blinking	Defective battery
On	Blinking	Battery charging in progress
On	On	Battery charging finished, battery fully charged
Blinking	Off	Battery is too hot, charging progress is on hold. Charging will start automatically after the battery has cooled down.

- Fully charging the battery may take up to 60 minutes.
- After the battery is fully charged remove the charger plug from the outlet and remove the battery from the charger.
- The battery can be stored or directly installed on the machine.



Lithium-Ion cells can be stored for a long period without losing much of their charge. When the machine is not being used over a longer period of time it is best to store the battery in charged condition.

Fitting and removing drills or screwdriver bits

Fig. A



Always remove the battery before mounting an accessory.

The drill chuck (7) is suitable for drills and screwdriver bits with round shaft as well as hexagonal shaft.

- Hold the machine firmly with one hand
- Open the drill chuck (7) by rotating the chuck

sleeve with your other hand in clockwise direction until it is opened far enough for the bit to slide in.

- Insert the shaft of the drill or screwdriver bit
- Tighten the drill chuck again by firmly rotating the chuck sleeve counterclockwise.
- Check if the bit is centered well by shortly activating the machine's on/off switch.

Adjusting the gears

Fig. A



Never switch gears when the motor is running, this will damage your machine.



Never put switch in the middle between both positions, this will damage your machine.

The machine has 2 drill speeds, which can be adjusted by sliding the gear switch (9) forward or backwards. The number on the gear switch (9) shows which position is chosen.

- Position 1: For slow drilling, large drilling diameter or screw driving. The machine has high power at a low speed.
- Position 2: For fast drilling or small drilling diameter.

Adjusting the direction of rotation

Fig. A

- Set the direction switch (10) to position “←” in order to drive screws or to use it for drilling.
- Set the direction switch (10) to position “→” in order to remove screws

Switching the machine on and off

Fig. A

The on/off switch (11) is used for activating the machine and adjusting rotation speed.

- Pressing the on/off switch (11) will activate the machine, the further the switch is being pushed, the faster the drill will turn.
- Releasing the on/off switch (11) will stop the machine.
- Move the direction reversing switch (10) to the middle position to lock the movement of the on/off switch. It cannot be activated in this position.



Only lay down the machine when it has stopped running completely. Do not place it on a dusty surface as particles of dust could get into the mechanism.

Adjusting the torque

Fig. A

The machine has different torque settings and a special drill mode to set the power being transmitted to the chuck.

By rotating the torque adjustment ring (12), screws can be driven to a predetermined depth, which is ideal for repetitive work. The higher the number, the more torque will be transmitted.

- Select a low setting for small screws or soft work material.
- Select a high setting for large screws, hard work materials and when removing screws.
- You should preferably choose a setting as low as possible when driving screws. Select a higher setting if the motor slips before the screw is fully tightened.
- For drilling, turn the torque adjustment ring (12) to the setting for drilling by fully turning it counterclockwise.



Ensure that the direction switch (10) is always set to ← during drilling.



The machine is equipped with electronic overload protection function. When the machine gets overloaded it will shut down automatically. When this happens, please wait for at least 5 seconds to let the overload protection reset itself.

Work light (13)

Fig. A

The machine is equipped with a work light to illuminate the work location.

- It automatically switches on when the on/off switch is being pressed.
- It automatically switches off when the on/off switch is released again.

Belt hook (14)

Fig. A

The machine is equipped with a belt hook for hanging the machine to your belt during use.



Always switch the direction switch (10) to middle position to avoid accidental start-up of the machine.

- When delivered, the belt hook (14) is assembled to the left side of the machine.
- It can easily be removed by removing the screw on the hook and taking it off.
- It can be assembled on the right side of the machine when this is preferred.

User tips

When driving screws into wood, metal and other materials:

- Before using the appliance check if the drill or screw bit is properly fitted and centered inside the drill chuck.
- Screw bits are available in several shapes and dimensions. When unsure, always try if the bit fits on the screw head without any free play before using the machine.
- Make sure the machine is not running when it contacts the screw. A rotating bit may slip. This could result in damage to the work piece.

When drilling into wood, metal and other materials:

- With small diameter drills use a high drill speed. For large diameter drills use a low drill speed.
- For hard materials, select a low drill speed, for soft materials select a high drill speed.
- Fix the work piece properly, preferably by using a clamp or vice.
- During drilling draw back the drill out of the hole frequently so swarf or drill dust will be removed.

When drilling in metal:

- Use a metal drill (HSS). For the best results you should cool the bit with oil.
- Metal (HSS) drills can also be used drilling into plastic.

4. MAINTENANCE



Before cleaning and maintenance, always switch off the machine and remove the battery pack from the machine.

Clean the machine casings regularly with a soft cloth, preferably after each use. Make sure that the ventilation openings are free of dust and dirt. Remove very persistent dirt using a soft cloth moistened with soapsuds. Do not use any solvents such as gasoline, alcohol, ammonia,

etc. Chemicals such as these will damage the synthetic components.

ENVIRONMENT



Faulty and/or discarded electrical or electronic apparatus have to be collected at the appropriate recycling locations.

Only for EC countries

Do not dispose of power tools into domestic waste. According to the European Guideline 2012/19/EU for Waste Electrical and Electronic Equipment and its implementation into national right, power tools that are no longer usable must be collected separately and disposed of in an environmentally friendly way.

WARRANTY

The warranty conditions can be found on the separately enclosed warranty card.

The product and the user manual are subject to change. Specifications can be changed without further notice.

Lithium-Ionen-Akku-Bohrschrauber 20V CDM1141P

Vielen Dank für den Erwerb dieses Ferm Produkts. Sie haben sich für ein ausgezeichnetes Produkt von einem der führenden Hersteller Europas entschieden. Alle von Ferm gelieferten Produkte werden gemäß den höchsten Standards für Leistungsverhalten und Sicherheit gefertigt. Zu unserer Firmenphilosophie gehört es außerdem, Ihnen einen ausgezeichneten Kundendienst anzubieten, gedeckt von unserer umfassenden Garantie. Wir wünschen Ihnen viele Jahre Freude an diesem Produkt.

1. SICHERHEITSANWEISUNGEN



Lesen Sie die beiliegenden Sicherheitsanweisungen, die zusätzlichen Sicherheitsanweisungen sowie diese Bedienungsanleitung sorgfältig durch. Bei Nichtbeachten der Sicherheitsanweisungen und der Bedienungsanleitung kann es zu einem Stromschlag, einem Brand und/oder schweren Verletzungen kommen. Bewahren Sie die Sicherheitsanweisungen und die Bedienungsanleitung zur künftigen Bezugnahme sicher auf.

Folgende Symbole werden im Benutzerhandbuch oder auf dem Produkt verwendet:



Benutzerhandbuch/Bedienungsanleitung lesen.



Lebens- und Verletzungsgefahr und Gefahr von Beschädigungen am Werkzeug/Gerät bei Nichteinhaltung der Anweisungen in dieser Bedienungsanleitung.



Gefahr eines Stromschlags.



Elektronische Drehzahlregelung.



Drehrichtung, links/rechts.



Nicht im Regen benutzen.



Nur zur Benutzung in Innenräumen.



*Werkzeug/Gerät der Schutzklasse II -
schutzisoliert - kein Schutzkontakt-
anschluss erforderlich.*



Max 40°C

Höchsttemperatur 40°C.



*Batterien/Akkus nicht in offene Feuer
werfen.*



Batterien/Akkus nicht ins Wasser werfen.



*Produkt vorschriftsmäßig entsorgen,
nicht über den Hausmüll.*



*Der Li-Ionen-Akku muss separat der
Wertstoffsammlung zugeführt werden.*



Sicherungseinsatz für träge Sicherungen.



*Das Produkt entspricht den geltenden
Sicherheitsnormen der europäischen
Richtlinien.*

Zusätzliche sicherheitshinweise für bohrer und schraubendreher

Sicherheitswarnungen für Bohrmaschinen

- Tragen Sie beim Schlagbohren einen Gehörschutz.** Lärm kann zu Hörverlust führen.
- Halten Sie das Elektrowerkzeug an den isolierten Griffflächen, wenn Arbeiten durchgeführt werden, bei denen das Schneidewerkzeug versteckte Leitungen berühren könnte.** Der Kontakt des Schneidewerkzeugs mit einer spannungsführenden Leitung kann auch metallene Geräteteile unter Spannung setzen und zu einem elektrischen Schlag führen.
- Stützen Sie das Werkzeug bei Gebrauch richtig ab.** Dieses Werkzeug erzeugt ein hohes Ausgangsdrehmoment. Wenn das Werkzeug während des Betriebs nicht ordnungsgemäß abgestützt wird, kann es zu einem Kontrollverlust kommen, der zu Verletzungen führen kann.

Sicherheitshinweise bei Verwendung langer Bohreinsätze

- Niemals mit einer höheren Drehzahl als der maximalen Drehzahl des Bohreinsatzes arbeiten.** Wenn sich der Bohreinsatz bei höheren Drehzahlen frei drehen kann, ohne das Werkstück zu berühren, kann es sich leicht verbiegen, was zu Verletzungen führen kann.
- Beginnen Sie den Bohrvorgang immer mit einer niedrigen Drehzahl und so, dass die Bohrspitze Kontakt mit dem Werkstück hat.** Wenn sich der Bohreinsatz bei höheren Drehzahlen frei drehen kann, ohne das Werkstück zu berühren, kann es sich leicht verbiegen, was zu Verletzungen führen kann.
- Wenden Sie Druck nur in direkter Linie mit dem Bohreinsatz aus und wenden Sie keinen übermäßigen Druck an.** Bohreinsätze können brechen, wodurch Beschädigungen oder Kontrollverlust entstehen können, was zu Verletzungen führen kann.

Sicherheitshinweise für akkus

- Akku nicht öffnen.** Kurzschlussgefahr.
- Schützen Sie den Akku vor Hitze, zum Beispiel vor andauerndem intensiven Sonnenlicht, sowie vor Feuer, Wasser und Feuchtigkeit.** Explosionsgefahr.
- Bei Beschädigung und unsachgemäßer Verwendung des Akkus können Dämpfe freigesetzt werden.** Lüften Sie den Bereich und suchen Sie bei Beschwerden einen Arzt auf. Die Dämpfe können die Atemwege reizen.
- Verwenden Sie den Akku nur in Verbindung mit Ihrem Produkt von Ferm Industrial.** Nur dadurch wird der Akku vor gefährlicher Überladung geschützt.
- Der Akku kann durch spitze Gegenstände wie Nägel oder Schraubendreher oder durch äußere Krafteinwirkung beschädigt werden.** Es kann ein interner Kurzschluss auftreten und der Akku kann brennen, rauchen, explodieren oder überhitzen.

Sicherheitshinweise für ladegeräte Verwendungszweck

Laden Sie mit dem Ladegerät nur die Akkutypen CDA1132P und CDA1133P auf, da nur sie wiederaufladbar sind.

Verwenden Sie nur folgende Akkus der Ferm Industrial FI20V-Akku-Plattform. Die Verwendung anderer Akkus kann zu schweren Verletzungen oder einer Beschädigung des Werkzeugs führen.

CDA1132P 20V, 2Ah Lithium-Ionen
CDA1133P 20V, 4Ah Lithium-Ionen

Folgendes Ladegerät ist zum Aufladen dieser Akkus vorgesehen.

CDA1131P Schnellladegerät

Die Akkus der Ferm Industrial FI20V-Akku-Plattform sind unter allen Werkzeugen der Ferm Industrial FI20V-Akku-Plattform austauschbar.

Restrisiken

Selbst bei ordnungsgemäßer, beschriebener Anwendung des Elektrowerkzeugs können nicht alle Restrisikofaktoren ausgeschlossen werden. Folgende Gefahren können in Verbindung mit der Konstruktion und Bauweise des Elektrowerkzeugs auftreten:

- Die Verwendung des Elektrowerkzeugs über einen längeren Zeitraum oder die unsachgemäße Verwendung oder nicht ordnungsgemäße Wartung des Geräts kann zu Gesundheitsschäden durch die Vibrationsemission führen.
- Beschädigte Zubehörteile, die plötzlich davongeschleudert werden, können zu Verletzungen und Sachschäden führen.



Warnung! *Dieses Elektrowerkzeug erzeugt während des Betriebs ein elektromagnetisches Feld. Dieses Feld kann unter bestimmten Umständen eine Störung von aktiven oder passiven Körperhilfsmitteln verursachen. Zur Verringerung der Gefahr von schweren oder tödlichen Verletzungen empfehlen wir, dass Personen mit medizinischen Implantaten vor der Verwendung dieses Elektrowerkzeugs Rücksprache mit ihrem Arzt und dem Hersteller der medizinischen Implantate halten.*

Austausch des Netzkabels

Beschädigte Netzkabel müssen durch den Hersteller, dessen Kundendienst oder ähnlich qualifizierte Fachleute ausgetauscht werden, um Gefahrensituationen zu vermeiden.

2. ANGABEN ZUM WERKZEUG

Verwendungszweck

Dieser Akku-Bohrschrauber ist für das Einschrauben und das Lösen von Schrauben sowie für das Bohren in Holz, Metall und Kunststoff vorgesehen.

Technische Daten

Gerät	CDM1141P
Spannung	20V
Aufnahme Werkzeugeinsatzhalter	1,5-13mm
Leerlaufdrehzahl	
Stellung 1:	0-450/min
Stellung 2:	0-1700/min
Max. Drehmoment	50 Nm
Drehmomenteinstellungen	21 + Bohrmodus
Gewicht (ohne Akku)	1,24 kg
Schalldruckpegel	L_{pM} 92 dB(A), K=3dB(A)
Schalleistungspegel	L_{WA} 103 dB(A), K=3dB(A)
Vibrationen	2,93 m/s ² K=1,5 m/s ²

Ladegerät	CDA1131P
Ladegeräteingang	100-240VAC 50-60Hz, 50W
Ladegeräteausgang	20V 2A
Ladedauer 2Ah-Akku	60 Minuten
Ladedauer 4Ah-Akku	120 Minuten
Empfohlene Akkus	CDA1132P, CDA1133P
Gewicht	0,36 kg

Akku	CDA1132P
Akkutyp	Lithium-Ionen
Spannung	20V
Kapazität	2,0 Ah
Empfohlenes Ladegerät	CDA1131P
Gewicht	0,38 kg

Vibrationsintensität

Die in dieser Bedienungsanleitung angegebene Vibrationsintensität wurde mit einem standardisierten Test gemäß EN 62841 gemessen. Anhand dieser Größe können

Werkzeuge miteinander verglichen werden. Außerdem eignet sich diese Größe für eine erste Beurteilung der Vibrationsbelastung bei Verwendung des Werkzeugs für die angegebenen Anwendungszwecke.

- Bei Verwendung des Werkzeugs für andere Anwendungen oder mit anderem oder unzureichend gewartetem Zubehör kann sich die Vibrationsbelastung erheblich erhöhen.
- Wenn das Werkzeug ausgeschaltet ist, oder wenn es eingeschaltet ist, jedoch nicht genutzt wird, kann sich die Vibrationsbelastung erheblich verringern.

Schützen Sie sich vor den Auswirkungen der Vibration durch Wartung des Werkzeugs und des Zubehörs, halten Sie Ihre Hände warm, und organisieren Sie Ihren Arbeitsablauf.

Beschreibung

Die Buchstaben und Ziffern im nachstehenden Text verweisen auf die Abbildungen auf den Seiten 2 bis 3.

Abb. A

1. Werkzeug
2. Akku
3. Akku-Freigabetaste
4. Akku-Ladezustandsanzeige
5. Ladegerät
6. LED-Anzeigen Ladegerät
7. Bohrfutter
9. Gangwahlschalter
10. Drehrichtungsschalter
11. Ein-/Aus-Schalter
12. Drehmoment-Einstellung
13. Arbeitsleuchte
14. Gürtelhaken

3. BETRIEB



Vor der ersten Verwendung muss der Akku aufgeladen werden.

Entnehmen des Akkus aus dem Werkzeug

Abb. B

- Halten Sie das Werkzeug (1) fest in einer Hand.
- Drücken Sie die Akku-Freigabetaste (3) an der Rückseite des Akkus (2) mit der anderen Hand nach unten.

- Halten Sie diese Taste (3) gedrückt, und schieben Sie den Akku nach hinten aus dem Gerät heraus, wie in Abb. B dargestellt.

Einsetzen des Akkus in das Werkzeug

Abb. B



Überprüfen Sie, ob die Außenflächen des Akkus sauber und trocken sind, bevor Sie den Akku an das Ladegerät anschließen oder in das Werkzeug einsetzen.

- Halten Sie das Werkzeug (1) fest in einer Hand.
- Setzen Sie den Akku (2) in das Gerät ein, wie in Abb. B dargestellt.
- Drücken Sie den Akku soweit nach vorn, bis der Akku hörbar einrastet.

Überprüfen des Akkuladezustands

Abb. C



Der beiliegende Akku wird teilweise aufgeladen geliefert.

- Drücken Sie zum Überprüfen des Ladezustands kurz die Taste (4) auf dem Akku.
- Der Akku ist mit 3 Leuchten zur Anzeige des Ladezustands ausgestattet. Je mehr davon leuchten, desto höher der Ladezustand.

Laden des Akkus (über das Ladegerät)

Abb. C

- Entnehmen Sie den Akku (2) aus dem Werkzeug.
- Drehen Sie den Akku (2) mit der Unterseite nach oben, und schieben Sie ihn in das Ladegerät (5), wie in Abb. D dargestellt.
- Drücken Sie den Akku vollständig in die Aufnahme.
- Stecken Sie den Netzstecker des Ladegeräts in eine Steckdose, und warten Sie einen Moment. Die LED-Anzeigen am Ladegerät (6) leuchten zur Anzeige des Ladezustands auf.

LED-Anzeigen (6)

Abb. C

Das Ladegerät verfügt über 2 LED-Anzeigen (6) zur Anzeige des Ladevorgangs:

Rote LED:	Grüne LED:	Status Ladegerät
Aus	Aus	Keine Stromversorgung
Ein	Aus	Standby-Modus: -Kein Akku eingelegt oder -Akku eingelegt, aber Ladevorgang seit über 2 Stunden abgeschlossen
Blinkt	Blinkt	Akku defekt
Ein	Blinkt	Akku wird geladen
Ein	Ein	Laden des Akkus abgeschlossen, Akku vollständig aufgeladen
Blinkt	Aus	Akku zu warm, Ladevorgang unterbrochen. Der Ladevorgang startet automatisch, nachdem sich der Akku abgekühlt hat.

- Das vollständige Laden des Akkus kann bis zu 60 Minuten dauern.
- Ziehen Sie nach dem vollständigen Laden des Akkus den Stecker des Ladegeräts aus der Netzsteckdose, und entnehmen Sie den Akku aus dem Ladegerät.
- Der Akku kann aufbewahrt oder direkt in das Gerät eingesetzt werden.



Lithium-Ionen-Zellen können lange Zeit gelagert werden, ohne dass der Ladezustand merklich nachlässt. Wenn das Werkzeug für einen längeren Zeitraum nicht verwendet wird, sollte das Werkzeug möglichst mit einem voll aufgeladenen Akku aufbewahrt werden.

Einsetzen und Entnehmen von Bohr- und Schraubendrehereinsätzen

Abb. A



Entnehmen Sie immer erst den Akku, bevor Sie Zubehör am Werkzeug anbringen.

Das Bohrfutter (7) eignet sich für Bohr- und Schraubendrehereinsätze mit rundem oder Sechskantschaft.

- Halten Sie das Werkzeug fest in einer Hand.
- Öffnen Sie das Bohrfutter (7) durch Drehen der Bohrfutterhülse mit der anderen Hand im

Uhrzeigersinn, bis es weit genug geöffnet ist, um den Einsatz aufzunehmen.

- Setzen Sie den Schaft des Bohrer- bzw. des Schraubendrehereinsatzes in das Bohrfutter ein.
- Ziehen Sie das Bohrfutter durch festes Drehen der Bohrfutterhülse gegen den Uhrzeigersinn fest.
- Überprüfen Sie, ob der Einsatz mittig im Bohrfutter sitzt, indem Sie kurz den EIN/AUS-Schalter betätigen.

Einstellen des Getriebegangs

Abb. A



Wechseln Sie den Getriebegang niemals bei laufendem Werkzeug. Dies kann zu Beschädigungen am Werkzeug führen.



Stellen Sie den Schalter niemals zwischen die beiden Stellungen. Dies führt zu Beschädigungen am Werkzeug.

Das Gerät verfügt über 2 Bohrgeschwindigkeiten, die sich durch Verschieben des Gangwahlschalters (9) nach vorne oder hinten einstellen lassen. Die Zahl auf dem Gangwahlschalter (9) zeigt, welche Stellung ausgewählt wurde.

- Stellung 1: Für langsames Bohren, Bohreinsätze mit großem Durchmesser oder Eindrehen von Schrauben. Das Werkzeug gibt ein hohes Drehmoment bei geringer Drehzahl ab.
- Stellung 2: Für schnelles Bohren oder Bohreinsätze mit kleinem Durchmesser

Einstellen der Drehrichtung

Abb. A

- Stellen Sie den Richtungsschalter (10) zum Eindrehen von Schrauben oder zum Bohren in die Stellung "←".
- Stellen Sie den Richtungsschalter (10) zum Lösen von Schrauben in die Stellung "→".

Ein- und Ausschalten des Werkzeugs

Abb. A

Der Ein-/Aus-Schalter (11) dient zum Einschalten des Geräts und zum Einstellen der Drehzahl.

- Durch Drücken des Ein-/Aus-Schalters (11) wird das Gerät eingeschaltet. Je weiter der Schalter gedrückt wird, umso schneller dreht sich der Bohrschrauber.
- Beim Loslassen des Ein-/Aus-Schalters (11) hält das Gerät an.

- Bringen Sie den Drehrichtungsschalter (10) in die Mittelstellung, um den Ein-/Aus-Schalter zu verriegeln. Wenn sich der Drehrichtungsschalter in dieser Stellung befindet, lässt sich der EIN/AUS-Schalter nicht betätigen.



Legen Sie das Werkzeug erst ab, nachdem es vollständig zum Stillstand gekommen ist. Legen Sie das Gerät nur auf einen sauberen Untergrund ab, damit kein Staub und kein Schmutz in den Mechanismus gelangt.

Einstellen des Drehmoments

Abb. A

Das Gerät verfügt über verschiedene Drehmomenteinstellungen und einen speziellen Bohrmodus zum Einstellen der Leistung, die auf das Bohrfutter übertragen wird.

Durch Drehen des Drehmoment-Einstellrings (12) können Schrauben auf eine voreingestellte Tiefe eingedreht werden. Dies eignet sich optimal für Wiederholungsaufgaben. Je höher die eingestellte Zahl ist, desto höher ist das aufgebrachte Drehmoment.

- Stellen Sie für kleine Schrauben oder weiche Werkstoffe eine niedrige Zahl ein.
- Für große Schrauben, harte Werkstoffe und zum Lösen von Schrauben stellen Sie eine hohe Zahl ein.
- Stellen Sie zum Eindrehen der Schrauben eine möglichst niedrige Zahl ein. Wenn die Rutschkupplung anspricht, bevor die Schraube vollständig eingedreht ist, stellen Sie eine höhere Zahl ein.
- Drehen Sie zum Bohren den Drehmoment-Einstellring (12) vollständig gegen den Uhrzeigersinn auf die Bohr-Einstellung.



Sorgen Sie dafür, dass der Drehrichtungsschalter (10) beim Bohren immer auf „←“ eingestellt ist.



Das Werkzeug ist mit einem elektro-nischen Überlastschutz ausgestattet. Bei Überlastung des Werkzeugs schaltet sich das Werkzeug automatisch aus. Warten Sie in diesem Fall mindestens 5 Sekunden, bis der Überlastschutz automatisch zurückgesetzt wird.

Arbeitsleuchte (13)

Abb. A

Das Werkzeug ist mit einer Arbeitsleuchte zum Ausleuchten des Arbeitsbereichs ausgestattet.

- Diese Leuchte schaltet sich automatisch ein, wenn der EIN/AUS-Schalter gedrückt wird.
- Wenn der EIN/AUS-Schalter wieder losgelassen wird, schaltet sich die Leuchte automatisch aus.

Gürtelhaken (14)

Abb. A

Das Werkzeug ist mit einem Gürtelhaken ausgestattet. An diesem Haken kann das Werkzeug während der Arbeiten in den Hosengürtel eingehängt werden.



Stellen Sie den Richtungsschalter (10) immer in die Mittelstellung, um ein versehentliches Einschalten des Geräts zu verhindern.

- Bei Lieferung ist der Gürtelhaken (14) an der linken Seite des Geräts befestigt.
- Der Haken kann problemlos abgebaut werden. Schrauben Sie dazu einfach die Schraube am Haken heraus, und nehmen Sie den Haken ab.
- Sie können den Gürtelhaken auch rechts am Werkzeug befestigen.

Tipps für die Benutzung

Eindrehen von Schrauben in Holz, Metall und in andere Werkstoffe:

- Stellen Sie vor dem Ansetzen des Werkzeugs sicher, dass der Bohr- bzw. der Schraubendrehereinsatz ordnungsgemäß eingesetzt ist und mittig im Bohrfutter sitzt.
- Schraubendrehereinsätze sind in verschiedenen Größen und Maßen erhältlich. Probieren Sie im Zweifelsfall immer aus, ob der Einsatz ohne Spiel in den Schraubenkopf passt, bevor Sie Schrauben ein- oder heraus-schrauben.
- Stellen Sie sicher, dass sich das Werkzeug beim Ansetzen an die Schraube noch nicht dreht. Ein sich bereits drehender Einsatz könnte abrutschen. Dadurch kann das Werkstück beschädigt werden.

Bohren in Holz, Metall und andere Werkstoffe:

- Stellen Sie bei Bohreinsätzen mit kleinem Durchmesser eine hohe Drehzahl ein. Stellen Sie bei Bohreinsätzen mit großem Durchmesser eine niedrige Drehzahl ein.
- Stellen Sie bei harten Werkstoffen eine niedrige Drehzahl und bei weichen Werkstoffen eine hohe Drehzahl ein.
- Fixieren Sie das Werkstück sachgemäß, am besten durch Einspannen.
- Ziehen Sie beim Bohren den Bohrer gelegentlich aus dem Bohrloch, damit Späne und Bohrmehl aus dem Bohrloch entfernt werden.

Bohren in Metall:

- Verwenden Sie einen Bohreinsatz für Metall (HSS). Optimale Ergebnisse erzielen Sie, wenn Sie den Bohreinsatz mit Öl kühlen.
- Metallbohrer (HSS) können auch für das Bohren in Kunststoff verwendet werden.

4. WARTUNG



Schalten Sie das Werkzeug immer aus, und entnehmen Sie den Akku aus dem Gerät, bevor Sie Reinigungs- oder Wartungsarbeiten am Werkzeug vornehmen.

Reinigen Sie das Werkzeuggehäuse regelmäßig mit einem weichen Lappen, vorzugsweise nach jeder Verwendung. Stellen Sie sicher, dass die Lüftungsöffnungen frei von Staub und Schmutz sind. Entfernen Sie anhaftenden Schmutz mit einem weichen Lappen, der leicht mit Seifenwasser befeuchtet wurde. Verwenden Sie keine Lösungsmittel wie Benzin, Alkohol, Ammoniak usw., da Chemikalien dieser Art die Kunststoffteile beschädigen.

UMWELTSCHUTZ



Schadhafte und/oder zu entsorgende elektrische oder elektronische Werkzeuge und Geräte müssen an den dafür vorgesehenen Recycling-Stellen abgegeben werden.

Nur für EG-Länder

Entsorgen Sie Elektrowerkzeuge nicht über den Hausmüll. Entsprechend der EU-Richtlinie 2012/19/EU über Elektro- und Elektronik-Altgeräte sowie der Umsetzung in nationales Recht müssen Elektrowerkzeuge, die nicht mehr im Gebrauch sind, getrennt gesammelt und umweltschonend entsorgt werden.

GARANTIE

Die Garantiebedingungen sind der separat beiliegenden Garantiekarte zu entnehmen.

Am Produkt und am Benutzerhandbuch können Änderungen vorgenommen werden. Die technischen Daten können sich ohne Vorankündigung ändern.

Li-ion accuboormachine 20V CDM1141P

Dank u voor het aanschaffen van dit Ferm product. Hierdoor bent u nu in het bezit van een uitstekend product, geleverd door een van de toonaangevende leveranciers van Europa. Alle door Ferm aan u geleverde producten zijn vervaardigd conform de hoogste prestatie- en veiligheidsnormen. Deel van onze filosofie is de uitstekende klantenservice die wordt ondersteund door onze uitgebreide garantie. Wij hopen dat u dit product gedurende vele jaren met plezier zult gebruiken.

1. VEILIGHEIDSVOORSCHRIFTEN



**Lees de bijgesloten veiligheids-
waarschuwingen, de aanvullende
veiligheidswaarschuwingen en de
instructies.** *Het niet opvolgen van de
veiligheidswaarschuwingen kan elektrische
schokken, brand en/of ernstig letsel tot gevolg
hebben. Bewaar de veiligheidswaarschuw-
ingen en instructies als naslagwerk voor later.*

De volgende symbolen worden gebruikt in de gebruikershandleiding of op het product:



Lees de gebruikershandleiding.



*Gevaar voor lichamelijk letsel, overlijden
of schade aan de machine wanneer de
instructies in deze handleiding niet
worden opgevolgd.*



Gevaar voor elektrische schokken



Variabele elektronische snelheid



Draairichting, links/rechts



Niet gebruiken in regen



Alleen binnenshuis gebruiken



*Klasse II apparaat - Dubbel geïsoleerd -
Een gearde stekker is niet noodzakelijk.*



Max. temperatuur 40°C



Accu niet verbranden



Accu niet in het water gooien



*Werp het product niet weg in
ongeschikte containers.*



Aparte inzameling van Li-ion-accu's.



Miniatuurzekering met vertragingstijd



*Het product is in overeenstemming met de
van toepassing zijnde veiligheidsnormen in
de Europese richtlijnen.*

Aanvullende veiligheidswaar- schuwingen voor boormachines en schroevendraaiers

Veiligheidswaarschuwingen boor

- Draag gehoorbescherming bij gebruik van de slagfunctie.** *Blootstelling aan lawaai kan gehoorverlies veroorzaken.*
- Houd het elektrische gereedschap vast aan de geïsoleerde oppervlakken wanneer u werkzaamheden uitvoert waarbij het accessoire in contact kan komen met verborgen bedrading.** *Accessoires die bedrading onder spanning raken kunnen het gereedschap onder stroom zetten en de gebruiker een elektrische schok geven.*
- Zet het gereedschap stevig vast voor u het gaat gebruiken.** *Het gereedschap produceert een zeer krachtige torsie en als het gereedschap niet stevig vast wordt gehouden tijdens de werking, kan verlies van controle optreden en dat kan persoonlijk letsel tot gevolg hebben.*

Veiligheidsinstructies bij het gebruik van lange boorbits

- Werk nooit op een hogere snelheid dan de maximale nominale snelheid van de boorbit.**

Bij hogere snelheden zal het bit doorbuigen als draaien zonder contact met het werkstuk mogelijk is, wat persoonlijk letsel tot gevolg zal hebben.

- b) **Begin altijd te boren op een lage snelheid en met de tip van de tip in contact met het werkstuk.** *Bij hogere snelheden zal het bit doorbuigen als draaien zonder contact met het werkstuk mogelijk is, wat persoonlijk letsel tot gevolg zal hebben.*
- c) **Oefen uitsluitend druk uit in een directe lijn met de bit en oefen niet al te veel druk uit.** *Bits kunnen doorbuigen wat breuk of verlies van controle veroorzaakt, wat persoonlijk letsel tot gevolg zal hebben.*

Veiligheidswaarschuwingen voor de accu

- a) **Open de accu niet.** *Gevaar voor kortsluiting.*
- b) **Bescherm de accu tegen hitte, bijv. continu intens zonlicht, vuur, water en vocht.** *Gevaar voor ontploffing.*
- c) **In geval van beschadiging en verkeerd gebruik van de accu, kunnen er dampen vrijkomen. Ventileer de omgeving en zoek medische hulp in geval van klachten.** *De dampen kunnen tot irritatie van de luchtwegen leiden.*
- d) **Gebruik de accu alleen in combinatie met uw industriële Ferm product.** *Deze maatregel beschermt de accu tegen gevaarlijke overbelasting.*
- e) **De accu kan beschadigd raken door puntige voorwerpen zoals spijkers of schroevendraaiers of door geweld van buitenaf.** *Er kan interne kortsluiting optreden en de accu kan gaan branden, roken, exploderen of oververhit raken.*

Veiligheidswaarschuwingen voor de acculader

Bedoeld gebruik

Gebruik de acculader uitsluitend voor het opladen van CDA1132P en CDA1133P accupacks.

Gebruik uitsluitend de volgende accu's van het 'Ferm Industrial FI20V' accu-platform. Gebruik van andere accu's kan leiden tot ernstig letsel of tot beschadiging van het gereedschap.

CDA1132P 20V, 2Ah Lithium-ion

CDA1133P 20V, 4Ah Lithium-ion

De volgende lader kan worden gebruikt voor het opladen van deze accu's.

CDA1131P Snellader

De accu's van het 'Ferm Industrial FI20V' accu-platform kunnen worden gewisseld tussen alle gereedschappen van het 'Ferm Industrial FI20V' accu-platform.

Overblijvende risico's

Zelfs wanneer de power tool op de voorschreven wijze wordt gebruikt, is het niet mogelijk alle overblijvende risicofactoren weg te nemen. De volgende risico's kunnen optreden in verband met de constructie en het ontwerp van de power tool:

- a) Gezondheidsklachten die het gevolg zijn van de trillingsemissie bij langdurig of onjuist gebruik of onjuist onderhoud van de power tool.
- b) Letsel en schade aan eigendommen vanwege kapotte hulpstukken die opeens losschieten.



Waarschuwing! *Deze power tool produceert een elektromagnetisch veld tijdens zijn werking. Dit veld kan onder bepaalde omstandigheden storend werken op actieve of passieve medische implantaten. Ter verkleining van het risico van ernstig of dodelijk letsel raden wij personen met medische implantaten aan om hun arts of de fabrikant van het medisch implantaat te raadplegen voordat zij deze power tool gaan gebruiken.*

Vervanging van het netsnoer

Als het voedings snoer beschadigd is, moet het door de fabrikant, een door deze erkend servicebedrijf of vergelijkbaar gekwalificeerde personen worden vervangen ter vermijding van risico's.

2. TECHNISCHE INFORMATIE

Bedoeld gebruik

Deze accuboormachine is bedoeld voor het vast- en losschroeven van schroeven en het boren in hout, metaal en plastic.

Technische specificaties

Machine	CDM1141P
Spanning	20V
Capaciteit boorkop	1,5-13 mm
Onbelast toerental	
Stand 1:	0-450/min
Stand 2:	0-1700/min
Max. koppel	50 Nm
Koppelinstellingen	21 + boormodus
Gewicht (zonder accupack)	1,24 kg
Geluidsdrukniveau	L_{pA} 92 dB(A), K=3dB(A)
Geluidsvermogensniveau	L_{WA} 103 dB(A), K=3dB(A)
Trilling	2,93 m/s ² K=1,5 m/s ²

Acculader	CDA1131P
Voedingsspanning lader	100-240VAC 50-60Hz, 50W
Uitgangsspanning lader	20V 2A
Oplaaftijd 2Ah	60 minuten
Oplaaftijd 4Ah accu	120 minuten
Aanbevolen accu's	CDA1132P, CDA1133P
Gewicht	0,36 kg

Accu	CDA1132P
Type accu	Lithium-ion
Spanning	20V
Capaciteit	2,0 Ah
Aanbevolen acculader	CDA1131P
Gewicht	0,38 kg

Trillingsniveau

Het trillingsemisniveauniveau dat in deze gebruiksaanwijzing wordt vermeld, is gemeten conform een gestandaardiseerde test in EN 62841; deze mag worden gebruikt om twee machines met elkaar te vergelijken en als voorlopige beoordeling van de blootstelling aan trilling bij gebruik van de machine voor de vermelde toepassingen.

- Het gebruik van de machine voor andere toepassingen, of met andere of slecht onderhouden accessoires, kan het blootstellingsniveau aanzienlijk verhogen.
- Wanneer de machine is uitgeschakeld of wanneer deze loopt maar geen werk verricht, kan dit het blootstellingsniveau aanzienlijk reduceren.

Bescherm uzelf tegen de gevolgen van trilling door de machine en de accessoires te onderhouden, uw handen warm te houden en uw werkwijze te organiseren.

Beschrijving

De nummers in de tekst verwijzen naar de diagrammen op pagina 2 - 3

Afb. A

1. Machine
2. Accu
3. Ontgrendelknop accu
4. Indicatie acculader
5. Acculader
6. Led-controlelampjes acculader
7. Boorkop
9. Keuzeschakelaar overbrenging
10. Richtingsschakelaar
11. Schakelaar Aan / Uit
12. Instelring koppel
13. Werkklamp
14. Riemclip

3. BEDIENING



De accu moet zijn opgeladen voordat deze voor het eerst wordt gebruikt.

De accu van de machine verwijderen

Afb. B

- Houd de machine (1) stevig vast met één hand
- Duw de ontgrendelknop van de accu (3) die zich op de achterkant van de accu (2) bevindt, naar beneden met de andere hand.
- Houd deze knop (3) naar beneden gedrukt en schuif de accu naar achteren uit de machine, zoals is weergegeven in Afb. B.

De accu in de machine plaatsen

Afb. B



Zorg ervoor dat het oppervlak van de accu schoon en droog is voordat u deze op de acculader of de machine aansluit.

- Houd de machine (1) stevig vast met één hand
- Plaats de accu (2) in de onderkant van de machine, zoals is weergegeven in Afb. B.
- Duw de accu verder naar voren tot deze vastklikt.

De laadstatus van de accu controleren

Afb. C



De bijgeleverde accu is bij oplevering deels opgeladen.

- Druk kort op de knop (4) op de accu om de laadstatus van de accu te controleren.
- Op de accu bevinden zich 3 lampjes die het laadniveau aangeven. Hoe meer lampjes branden, des te meer is de accu ontladen.

De accu laden (met de acculader)

Afb. C

- Haal de accu (2) uit de machine
- Draai de accu (2) ondersteboven en schuif deze op de acculader (5), zoals is weergegeven in Afb. D.
- Duw op de accu tot deze volledig in de sleuf zit.
- Steek de stekker van de acculader in een stopcontact en wacht even. De Led-lampjes op de acculader (6) gaan branden en tonen de status van de lader.

Led-lampjes (6)

Afb. C

De acculader heeft 2 led-controlelampjes (6) die de status van het laadproces aangeven:

Status rode led:	Status groene led:	Status van acculader
Uit	Uit	Geen stroom
Aan	Uit	Stand-bymodus: -Geen accu geplaatst, of -Accu is geplaatst, maar opladen is meer dan 2 uur geleden beëindigd
Knipperend	Knipperend	Defecte accu
Aan	Knipperend	Bezig met opladen van accu
Aan	Aan	Opladen van de accu is beëindigd, de accu is volledig opgeladen
Knipperend	Uit	Accu is te heet, laadproces is in de wachtstand. Het opladen start automatisch wanneer de accu is afgekoeld.

- Het kan tot 60 minuten duren voordat de accu volledig is opgeladen.
- Verwijder, als de accu volledig is opgeladen, de stekker van de acculader uit het

stopcontact en haal de accu uit de acculader.

- U kunt de accu opslaan of direct op de machine zetten.



Lithium-ion-accu's kunnen gedurende een lange tijd worden opgeslagen zonder veel van hun lading te verliezen. Wanneer deze machine gedurende een langere tijd niet wordt gebruikt, is het raadzaam de accu te bewaren in opgeladen toestand.

Boren en schroefbits monteren en verwijderen

Afb. A



Verwijder altijd de accu voordat u een hulpstuk monteert.

De boorkop (7) is geschikt voor boortjes en schroefbits met zowel ronde als zeskantige assen.

- Houd de machine stevig vast met één hand
- Open de boorkop (7) door de huls van de boorkop met de andere hand rechtsom te draaien tot deze ver genoeg is geopend om het boortje/de schroefbit erin te kunnen schuiven.
- Plaats de as van het boortje/de schroefbit erin
- Draai de boorkop weer vast door de huls van de boorkop stevig linksom te draaien.
- Controleer of het boortje/de schroefbit goed in het midden zit door de machine met de schakelaar Aan / Uit kort in te schakelen.

De overbrenging instellen

Afb. A



Schakel nooit naar een andere overbrenging terwijl de motor draait. Dit is schadelijk voor de machine.



Zet de schakelaar nooit tussen de twee standen in. Dit is schadelijk voor de machine

De machine heeft 2 boorsnelheden, die u kunt instellen door de overbrengingsschakelaar (9) naar voren of naar achteren te schuiven. Het nummer op de overbrengingsschakelaar (9) geeft de gekozen stand aan.

- Stand 1: Voor langzaam boren, een grote boordiameter of voor schroeven. De machine beschikt over een hoog vermogen bij een laag toerental.

- Stand 2: Voor snel boren of een kleine boordiameter

De draairichting instellen

Afb. A

- Stel de draairichtingsschakelaar (10) in op de stand “←” om schroeven aan te draaien of de machine te gebruiken voor boren.
- Stel de draairichtingsschakelaar (10) in op de stand “→” voor het verwijderen van schroeven

De machine in- en uitschakelen

Afb. A

De schakelaar Aan / Uit (11) wordt gebruikt om de machine in te schakelen en de draaisnelheid in te stellen.

- U schakelt de machine in door op de schakelaar Aan / Uit (11) te drukken; hoe verder u de schakelaar indrukt, des te sneller de boormachine gaat draaien.
- U stopt de machine door de schakelaar Aan / Uit (11) los te laten.
- Zet de draairichtingsschakelaar (10) in de middelste stand om de schakelaar Aan / Uit te vergrendelen. In deze stand kunt u de machine niet inschakelen.



Leg de machine pas neer wanneer deze volledig stilstaat. Leg de machine niet op een stoffige ondergrond. Stofdeeltjes kunnen in het mechanisme terecht komen.

Het koppel instellen

Afb. A

De machine beschikt over verschillende koppelinstellingen en een speciale boormodus, waarin het totaalvermogen op de boorkop wordt overgebracht.

U kunt door de instelling voor het koppel (12) te draaien schroeven tot een vooraf bepaalde diepte indraaien, hetgeen ideaal is voor repetitief werk. Hoe hoger het getal, des te meer koppel wordt overgebracht.

- Kies een lage instelling voor kleine schroeven of zacht werkmetaal.
- Kies een hoge instelling voor grote schroeven, hard werkmetaal en voor het verwijderen van schroeven.
- Kies bij voorkeur een zo laag mogelijke stand om schroeven in te draaien. Kies een hogere

instelling als de motor slijpt voordat de schroef volledig is vastgedraaid.

- Zet voor boren de instelling voor het koppel (12) op de instelling voor boren, door de ring volledig linksom te draaien.



Zorg dat de draairichtingsschakelaar (10) bij boren altijd op ← staat ingesteld.



De machine is voorzien van een elektronische beveiligingsfunctie tegen overbelasting. Als de machine overbelast wordt, slaat deze automatisch af. Mocht dit gebeuren, wacht dan ten minste 5 seconden, zodat de beveiliging tegen overbelasting zich opnieuw kan instellen.

Werklamp (13)

Afb. A

De machine is voorzien van een werkklamp voor verlichting van de werklocatie.

- Deze wordt automatisch ingeschakeld als u de schakelaar Aan / Uit indrukt.
- Deze wordt automatisch uitgeschakeld als u de schakelaar Aan / Uit weer loslaat.

Riemclip (14)

Afb. A

De machine is voorzien van een riemclip waarmee u de machine aan uw riem kunt ophangen tijdens gebruik.



Zet de draairichtingsschakelaar (10) altijd in de middelste stand om onbedoeld inschakelen van de machine te voorkomen.

- Bij levering zit de riemclip (14) aan de linkerkant van de machine.
- U kunt deze eenvoudig verwijderen door de schroef in de clip los te draaien en weg te nemen.
- Als u wilt, kunt u de clip aan de rechterkant van de machine monteren.

Tips voor de gebruiker

Wanneer u schroeven in hout, metaal en ander materiaal draait:

- Controleer vóór u het apparaat gebruikt of het boortje of de schroefbit correct en in het midden van de boorkop is gemonteerd.

- Er zijn schroefbits verkrijgbaar in verschillende vormen en afmetingen. Probeer bij twijfel altijd of het schroefbit zonder speling op de schroefkop past voordat u de machine gaat gebruiken.
- Zorg ervoor dat de machine niet draait wanneer deze contact maakt met de schroef. Een draaiende schroefbit kan doorschieten. Hierdoor kan het werkstuk beschadigen.

Wanneer u in hout, metaal en ander materiaal boort:

- Voor boortjes met een kleine diameter is het beter om een hoge boorsnelheid te gebruiken. Voor boortjes met een grote diameter is het beter om een lage boorsnelheid te gebruiken.
- Kies voor hard materiaal een lage boorsnelheid en voor zacht materiaal een hoge boorsnelheid.
- Zet het werkstuk naar behoren vast, bij voorkeur met behulp van een klem of bankschroef.
- Haal tijdens het boren de boor regelmatig uit het gat om slijpsel of boorstof te verwijderen.

Wanneer u in metaal boort:

- Gebruik een metaalboor (HSS). Koel het boortje met olie voor het beste resultaat.
- U kunt metaalboren (HSS) tevens gebruiken om in plastic te boren.

4. ONDERHOUD



Schakel, voordat u met de reiniging en het onderhoud begint, altijd de machine uit en haal het accupack uit de machine.

Reinig de machinebehuizing regelmatig met een zachte doek, bij voorkeur iedere keer na gebruik. Zorg dat de ventilatiesleuven vrij van stof en vuil zijn. Gebruik bij hardnekkig vuil een zachte doek bevochtigd met zeepwater. Gebruik geen oplosmiddelen als benzine, alcohol, ammonia, etc. Dergelijke stoffen beschadigen de kunststof onderdelen.

MILIEU



Defecte en/of afgedankte elektrische of elektronische gereedschappen dienen ter verwerking te worden aangeboden aan een daarvoor verantwoordelijke instantie.

Uitsluitend voor EG-landen

Werp elektrisch gereedschap niet weg bij het huisvuil. Conform de Europese Richtlijn 2012/19/EU voor Afgedankte Elektrische en Elektronische Apparatuur en de implementatie ervan in nationaal recht moet niet langer te gebruiken elektrisch gereedschap gescheiden worden verzameld en op een milieuvriendelijke wijze worden verwerkt.

GARANTIE

Lees voor de garantievoorwaarden de apart bijgevoegde garantietafel.

Het product en de gebruikershandleiding zijn onderhevig aan wijzigingen. Specificaties kunnen zonder opgaaf van redenen worden gewijzigd.

Perceuse-visseuse sans fil Li-ion 20V CDM1141P

Merci d'avoir choisi ce produit Ferm. Vous avez fait le choix d'un produit de qualité, fourni par l'un des principaux fournisseurs européens. Tous les produits vendus par Ferm sont fabriqués conformément aux normes les plus strictes en matière de performances et de sécurité. Renforcée par notre garantie très complète, l'excellence de notre service clientèle forme également partie intégrante de notre philosophie. Nous espérons que vous profiterez longtemps de ce produit.

1. CONSIGNES DE SÉCURITÉ



En plus des avertissements de sécurité suivants, veuillez également lire les avertissements de sécurité

additionnels ainsi que les instructions. Le non-respect des avertissements de sécurité et des instructions peut entraîner une décharge électrique, un incendie et/ou des blessures graves. Veuillez conserver les avertissements de sécurité et les instructions pour consultation ultérieure.

Les symboles suivants sont utilisés dans le manuel d'utilisation ou apposés sur le produit:



Lisez le manuel d'utilisation.



Signale un risque de blessures, un danger mortel ou un risque d'endommagement de l'outil en cas de non-respect des instructions de ce manuel.



Risque de décharge électrique



Variateur électronique de vitesse



Rotation gauche/droite



Ne pas utiliser sous la pluie



Utilisation en intérieur uniquement



Machine de classe II - Double isolation - Vous n'avez pas besoin de prise avec mise à la terre.



Température max. 40 °C



Ne jetez pas la batterie au feu



Ne jetez pas la batterie dans de l'eau



Ne jetez pas le produit dans des conteneurs qui ne sont pas prévus à cet effet.



La batterie Li-ion fait l'objet d'une collecte séparée.



Fusible miniature à fusion lente



Le produit est conforme aux normes de sécurité en vigueur spécifiées dans les directives européennes.

Avertissements supplémentaires concernant les perceuses et les visseuses

Avertissements sur la sécurité propres aux perceuses

- Portez des protections auditives pour le perçage à percussion.** L'exposition au bruit peut provoquer une perte de l'ouïe.
- Tenez l'outil électrique par ses surfaces de préhension isolées si vous effectuez une opération lors de laquelle l'accessoire de coupe pourrait entrer en contact avec des fils cachés sous tension.** Tout contact d'un accessoire de coupe avec un fil sous tension peut mettre les parties métalliques exposées de l'outil sous tension et provoquer une décharge électrique à l'utilisateur.
- Tenez correctement l'outil avant de l'utiliser.** Cet outil génère un fort couple de sortie et s'il n'est pas correctement maintenu pendant son fonctionnement, vous pouvez en perdre le contrôle et vous blesser.

Consignes de sécurité pour utiliser des forêts plus longs

- a) **Ne faites jamais fonctionner l'outil plus vite que la vitesse maximale nominale du forêt.**
À de plus grandes vitesses, le forêt a tendance à se courber s'il tourne dans le vide et cela peut engendrer des blessures.
- b) **Commencez toujours à percer à vitesse réduite alors que le forêt est déjà en contact avec l'ouvrage.** *À de plus grandes vitesses, le forêt a tendance à se courber s'il tourne dans le vide et cela peut engendrer des blessures.*
- c) **N'exercez pas une trop forte pression et quoi qu'il en soit toujours en ligne directe avec le forêt.** *Les forêts peuvent se courber et se briser et/ou provoquer une perte de contrôle qui peut vous blesser.*

Avertissements de sécurité concernant la batterie

- a) **N'ouvrez pas la batterie.** *Risque de court-circuit.*
- b) **Protégez la batterie de la chaleur, les rayons directs du soleil continu et intenses, le feu, l'eau et l'humidité.** *Risque d'explosion.*
- c) **En cas de dommage ou de mauvaise utilisation, la batterie peut émettre des vapeurs. Aérez la zone et faites appel à un médecin en cas d'affection.** *Les vapeurs peuvent irriter le système respiratoire.*
- d) **N'utilisez la batterie qu'avec votre produit Ferm industriel.** *Cette seule mesure permet de protéger la batterie des surcharges dangereuses.*
- e) **La batterie peut être endommagée par des objets pointus comme des clous ou des embouts de tournevis ou si une force extérieure excessive lui est appliquée.** *Un court-circuit interne est alors possible et la batterie peut alors s'enflammer, fumer, exploser ou surchauffer.*

Avertissements de sécurité concernant le chargeur

Utilisation prévue

Ne rechargez que des blocs-batteries rechargeables de type CDA1132P et CDA1133P avec le chargeur.

N'utilisez que les batteries suivantes de la plateforme de batterie industrielle Ferm FI20V.

L'utilisation de toute autre batterie pourrait provoquer de graves blessures ou endommager l'outil.

CDA1132P	20V, 2Ah Lithium-Ion
CDA1133P	20V, 4Ah Lithium-Ion

Le chargeur suivant peut être utilisé pour recharger ces batteries.

CDA1131P	Chargeur rapide
----------	-----------------

Les batteries de la plateforme de batterie industrielle Ferm FI20V sont interchangeables pour tous les outils de la plateforme de batterie industrielle Ferm FI20V.

Risques résiduels

Même lorsque l'outil électrique est utilisé conformément aux instructions, il n'est pas possible d'éliminer tous les facteurs de risque résiduel. Les dangers suivants peuvent survenir en raison de la conception de l'outil électrique:

- a) Problèmes de santé liés aux vibrations lorsque l'outil est utilisé sur une longue période ou n'est pas manipulé ou entretenu de manière adéquate.
- b) Blessures et dommages matériels occasionnés par l'éjection soudaine d'accessoires cassés.



Avertissement! *Lorsqu'il fonctionne, cet outil électrique génère un champ électromagnétique. Dans certaines circonstances, ce champ électromagnétique peut interférer avec des implants médicaux actifs ou non. Pour réduire le risque de blessures graves ou mortelles, nous recommandons aux personnes porteuses d'implants médicaux de consulter leur médecin et le fabricant de l'implant avant d'utiliser cet outil électrique.*

Remplacement du cordon d'alimentation

Si le cordon d'alimentation est endommagé, il doit être remplacé par le fabricant, son agent de service après-vente ou une personne dûment qualifiée afin d'éviter tout danger.

2. INFORMATIONS RELATIVES A LA MACHINE

Utilisation prévue

Cette perceuse-visseuse sans fil est conçue pour le vissage/dévisage des vis, ainsi que pour le perçage dans le bois, le métal et le plastique.

Spécifications techniques

Machine	CDM1141P
Tension	20V
Capacité du mandrin	1,5-13 mm
Vitesse à vide	
Position 1:	0-450/min
Position 2:	0-1700/min
Couple maxi	50 N.m.
Réglages de couple	21 + Mode perçage
Poids (sans bloc-batterie)	1,24 kg
Niveau de pression sonore	L_{pA} 92 dB(A), K=3dB(A)
Niveau de puissance sonore	L_{WA} 103 dB(A), K=3dB(A)
Vibrations	2,93 m/s ² K=1,5 m/s ²

Chargeur	CDA1131P
Entrée chargeur	100-240VAC 50-60Hz, 50W
Sortie chargeur	20V 2A
Durée de charge batterie 2Ah	60 minutes
Durée de charge batterie 4Ah	120 minutes
Batteries recommandées	CDA1132P, CDA1133P
Poids	0,36 kg

Batterie	CDA1132P
Type de batterie	Lithium-Ion
Tension	20V
Capacité	2.0 Ah
Chargeur recommandé	CDA1131P
Poids	0,38 kg

Niveau de vibrations

Le niveau des vibrations émises, indiqué dans ce manuel, a été mesuré conformément à la procédure décrite par la norme EN 62841. Il peut être utilisé pour comparer deux outils ou pour réaliser une estimation préalable de l'exposition aux vibrations lors de l'utilisation de l'outil pour

les applications mentionnées.

- L'utilisation de l'outil dans d'autres applications ou avec des accessoires différents ou mal entretenus peut considérablement augmenter le niveau d'exposition.
- La mise hors tension de l'outil et sa non-utilisation pendant qu'il est allumé peuvent considérablement réduire le niveau d'exposition.

Protégez-vous contre les effets des vibrations par un entretien correct de l'outil et de ses accessoires, en vous échauffant les mains et en organisant vos rythmes de travail.

Description

Les numéros dans le texte se rapportent aux schémas des pages 2-3.

Fig. A

1. Machine
2. Batterie
3. Bouton de déverrouillage de la batterie
4. Indicateur de charge de la batterie
5. Chargeur
6. Indicateurs à LED du chargeur
7. Mandrin
9. Commutateur de sélection de vitesse
10. Commutateur de sens de rotation
11. Interrupteur marche/arrêt
12. Bague de réglage du couple
13. Lampe de travail
14. Crochet pour ceinture

3. FONCTIONNEMENT



Vous devez charger la batterie avant la première utilisation.

Retrait de la batterie de la machine

Fig. B

- Tenez la machine (1) fermement d'une main.
- Poussez le bouton de déverrouillage de la batterie (3) situé sur le côté arrière de la batterie (2) de l'autre main.
- Continuez de pousser le bouton (3) vers le bas et faites glisser la batterie vers l'arrière de la machine, comme illustré à la Fig. B.

Insertion de la batterie dans la machine

Fig. B



Vérifiez que la surface extérieure de la batterie est propre et sèche avant de brancher le chargeur ou la machine.

- Tenez la machine (1) fermement d'une main.
- Insérez la batterie (2) dans la base de la machine, comme illustré à la Fig. B.
- Poussez la batterie vers l'avant jusqu'à ce qu'elle s'enclenche.

Contrôle de l'état de charge de la batterie

Fig. C



La batterie est fournie partiellement chargée.

- Pour vérifier l'état de charge de la batterie, appuyez brièvement sur le bouton (4) de la batterie.
- 3 Voyants indiquent le niveau de charge de la batterie. Plus il y a de voyants allumés, plus la charge est importante.

Recharge de la batterie (avec le chargeur)

Fig. C

- Retirez la batterie (2) de la machine.
- Retournez la batterie (2) et faites-la glisser dans le chargeur (5), comme illustré à la Fig. C.
- Enfoncez la batterie tout au fond du logement.
- Branchez la fiche du chargeur dans une prise électrique et patientez. Les indicateurs à LED sur le chargeur (6) s'allument et indiquent l'état du chargeur.

Indicateurs à LED (6)

Fig. C

Deux indicateurs à LED (6) indiquent l'état du processus de charge sur le chargeur:

État de l'indicateur à LED rouge:	État de l'indicateur à LED vert:	État du chargeur
Éteint	Éteint	Aucune alimentation
Allumé	Éteint	Mode veille: - Aucune batterie n'est insérée ou - La batterie est insérée, mais la charge s'est achevée depuis plus de 2 heures
Clignotant	Clignotant	Batterie défectueuse

Allumé	Clignotant	Batterie en cours de charge
Allumé	Allumé	Charge de la batterie terminée, batterie complètement chargée
Clignotant	Éteint	Batterie trop chaude, charge suspendue. La charge va démarrer automatiquement lorsque la batterie aura refroidi.

- Il faut compter jusqu'à 60 minutes pour recharger complètement la batterie.
- Lorsque la batterie est entièrement chargée, débranchez le chargeur de la prise secteur et retirez la batterie du chargeur.
- La batterie peut être entreposée ou directement installée sur la machine.



Les batteries au Lithium-ion peuvent être entreposées longtemps sans perdre de leur charge. Quand la machine n'est pas utilisée pendant une période prolongée, il est préférable d'entreposer la batterie rechargée.

Montage et démontage des forets ou des embouts de vissage

Fig. A



Retirez toujours la batterie avant de monter un accessoire.

Le mandrin (7) convient pour les forets et les embouts de vissage à arbre cylindrique ou hexagonal.

- Tenez la machine fermement d'une main.
- Ouvrez le mandrin (7) en tournant le manchon de l'autre main dans le sens horaire, jusqu'à ce que le mandrin soit suffisamment ouvert pour y glisser l'embout.
- Insérez l'arbre du foret ou l'embout de vissage.
- Resserrez fermement le mandrin en tournant le manchon dans le sens antihoraire.
- Vérifiez que l'embout est bien centré en activant brièvement l'interrupteur marche/arrêt de la machine.

Réglage des vitesses

Fig. A



Ne changez jamais de vitesse pendant que le moteur tourne, cela risque d'endommager la machine.



Ne placez jamais l'interrupteur entre les deux positions, cela risque d'endommager la machine.

La machine dispose de deux vitesses de perçage réglables en faisant glisser le commutateur de vitesse (9) vers l'avant ou vers l'arrière. Le numéro sur le commutateur de vitesse (9) indique la position choisie.

- Position 1: pour un perçage au ralenti, de grand diamètre, ou pour le vissage. La machine est très puissante à faible vitesse.
- Position 2: pour un perçage rapide ou de petit diamètre

Changement du sens de rotation

Fig. A

- Réglez le commutateur de sens de rotation (10) sur la position "←" pour le vissage ou le perçage.
- Réglez le commutateur de sens de rotation (10) sur la position "→" pour le dévissage.

Mise en marche et arrêt de la machine

Fig. A

L'interrupteur marche/arrêt (11) permet d'activer la machine et de régler la vitesse de rotation.

- Appuyez sur l'interrupteur marche/arrêt (11) pour activer la machine ; plus vous poussez le commutateur, plus rapide sera la rotation du foret.
- Relâchez l'interrupteur marche/arrêt (11) pour arrêter la machine.
- Déplacez l'inverseur de sens de rotation (10) sur la position du milieu pour verrouiller le mouvement de l'interrupteur marche/arrêt.

Dans cette position, il ne peut pas être activé.



Ne posez la machine qu'une fois qu'elle est complètement arrêtée. Ne posez pas la machine sur une surface poussiéreuse. Les particules de poussière peuvent pénétrer profondément à l'intérieur de la machine.

Réglage du couple

Fig. A

La machine possède réglages de couple différents et un mode de perçage spécial, pour définir la puissance transmise au mandrin.

Tournez la bague de réglage du couple (12) afin d'enfoncer les vis à une profondeur prédéterminée ; cette fonctionnalité est idéale

pour les opérations répétitives. Plus le nombre est élevé, plus le couple transmis est important.

- Sélectionnez un réglage bas pour les petites vis ou les matériaux de travail souples.
- Sélectionnez un réglage élevé pour les grandes vis et les matériaux de travail durs, ainsi que pour la dépose des vis.
- Choisissez de préférence le couple le plus bas possible pour le vissage. Sélectionnez un réglage plus élevé si le moteur patine avant que la vis ne soit serrée à fond.
- Pour le perçage, tournez la bague de réglage du couple (12) à fond dans le sens antihoraire, sur la position de perçage.



Lors de travaux de perçage, veillez toujours à ce que le commutateur de sens de rotation (10) soit placé sur «←».



La machine est dotée d'une fonction électronique de protection contre les surcharges. Lorsque la machine est en surcharge, elle s'arrête automatiquement. Lorsque cela se produit, veuillez attendre au moins 5 secondes la fin du réarmement de la protection anti-surchage.

Lampe de travail (13)

Fig. A

La machine est équipée d'une lampe qui éclaire la zone de travail.

- Elle s'allume automatiquement lorsque vous appuyez sur l'interrupteur marche/arrêt.
- Elle s'éteint automatiquement lorsque vous relâchez l'interrupteur marche/arrêt.

Crochet pour ceinture (14)

Fig. A

La machine est équipée d'un crochet prévu pour accrocher la machine à votre ceinture pendant l'utilisation.



Mettez toujours le commutateur de sens de rotation (10) en position centrale pour éviter tout démarrage accidentel de la machine.

- La machine est fournie avec le crochet pour ceinture (14) monté sur le côté gauche.
- Pour le retirer, dévissez la vis située sur le crochet.

- Il peut être monté sur le côté droit de la machine si cela vous convient mieux.

Conseils

Lorsque vous vissez dans du bois, du métal et d'autres matériaux:

- Avant d'utiliser l'appareil, vérifiez que le foret ou l'embout de vissage est correctement monté et centré à l'intérieur du mandrin.
- Les embouts de vissage existent en plusieurs formes et dimensions. Si vous n'êtes pas sûr de votre choix, vérifiez toujours que l'embout s'insère dans la tête de vis sans aucun jeu avant d'utiliser la machine.
- Assurez-vous que la machine ne tourne pas quand elle entre en contact avec la vis. Si l'embout tourne, il peut glisser. Cela risque d'endommager la pièce à ouvrir.

Lorsque vous percez du bois, du métal et d'autres matériaux:

- Utilisez une vitesse de rotation élevée avec les forets de petit diamètre. Utilisez une vitesse de rotation faible avec les forets de grand diamètre.
- Pour les matériaux durs, choisissez une vitesse de rotation faible, et pour les matériaux souples, choisissez une vitesse de rotation élevée.
- Fixez la pièce à ouvrir correctement, de préférence à l'aide d'un collier ou d'un étai.
- Pendant le perçage, sortez le foret du trou fréquemment afin d'évacuer les copeaux ou la poussière.

Lors du perçage dans le métal:

- Utilisez un foret métal (HSS). Pour obtenir de meilleurs résultats, rafraîchissez l'embout avec de l'huile.
- Les forets métal (HSS) peuvent également être utilisés pour percer le plastique.

4. ENTRETIEN



Avant le nettoyage et l'entretien, mettez toujours la machine hors tension et retirez la batterie de la machine.

Nettoyez le corps de la machine régulièrement au moyen d'un chiffon doux, de préférence après chaque utilisation. Vérifiez que les ouvertures d'aération ne sont pas obstruées

ni sales. Utilisez un chiffon doux légèrement humidifié avec de la mousse de savon pour nettoyer les taches persistantes. N'utilisez pas de produits de nettoyage tels que l'essence, l'alcool, l'ammoniac, etc. ; ces produits peuvent endommager les parties synthétiques.

ENVIRONNEMENT



Les équipements électroniques ou électriques défectueux ou destinés à être mis au rebut doivent être déposés aux points de recyclage appropriés.

Uniquement pour les pays de l'UE

Ne jetez pas les outils électriques avec les déchets domestiques. Selon la Directive européenne 2012/19/EU relative aux déchets d'équipements électriques et électroniques et sa mise en œuvre dans le droit national, les outils électriques hors d'usage doivent être collectés séparément et mis au rebut de manière écologique.

GARANTIE

Les conditions de garantie sont disponibles dans le certificat de garantie fourni séparément.

Le produit et le manuel d'utilisation sont sujets à modifications. Les spécifications peuvent changer sans préavis.

Taladro inalámbrico con batería de iones de litio de 20V CDM1141P

Gracias por comprar este producto de Ferm. Ahora dispone de un excelente producto, suministrado por uno de los principales proveedores de Europa. Todos los productos suministrados por Ferm son fabricados de acuerdo con los más elevados estándares de rendimiento y seguridad. Como parte de nuestra filosofía, proporcionamos también un excelente servicio al cliente, respaldado por nuestra garantía integral. Esperamos que disfrute del uso de este producto durante muchos años.

1. INSTRUCCIONES DE SEGURIDAD



Lea las advertencias de seguridad, las advertencias de seguridad adicionales y las instrucciones adjuntas. Si no respeta las advertencias de seguridad y las instrucciones, pueden ocasionarse descargas eléctricas, incendios y/o lesiones graves. Guarde las advertencias de seguridad y las instrucciones para su futura consulta.

En el manual de usuario y en el producto se emplean los siguientes símbolos:



Lea el manual de usuario.



Denota riesgo de lesiones personales, pérdida de vida o daños a la herramienta en caso de incumplimiento de las instrucciones del presente manual.



Riesgo de choque eléctrico



Velocidad electrónica variable



Rotación, izquierda/derecha



No use bajo la lluvia



Use solo en interiores



Máquina de clase II - Doble aislamiento - No necesita enchufe con puesta a tierra.



Temperatura máx. 40° C



No arroje la batería al fuego



No arroje la batería al agua



No tire el producto en contenedores no apropiados.



Recogida selectiva de la batería de iones de litio.



Fusible cinta miniatura de tipo retardado



El producto es conforme a las normas de seguridad aplicables según las directivas europeas.

Advertencias de seguridad adicionales para taladros y destornilladores

Advertencias de seguridad para taladrar

- Utilice protectores auditivos cuando use taladros de impacto.** La exposición al ruido puede causar pérdida auditiva.
- Sostenga la herramienta eléctrica por las superficies de agarre aisladas cuando realice alguna operación en la que el accesorio de corte pueda entrar en contacto con cables ocultos.** Si el accesorio de corte entra en contacto con un cable en tensión, puede exponer las partes metálicas de la herramienta a tensión y ocasionar una descarga eléctrica al operador.
- Apoye la herramienta correctamente antes de utilizarla.** Esta herramienta produce un par de alto rendimiento. Si la herramienta no se apoya correctamente durante su uso, puede producirse una pérdida de control que provoque lesiones personales.

Instrucciones de seguridad al utilizar brocas largas

- a) **No las utilice nunca a una velocidad mayor que la velocidad máxima de la broca.** A velocidades elevadas, la broca puede doblarse si se deja girar libremente sin entrar en contacto con la pieza de trabajo, provocando lesiones corporales.
- b) **Inicie el taladrado a baja velocidad y con la punta de la broca en contacto con la pieza de trabajo.** A velocidades elevadas, la broca puede doblarse si se deja girar libremente sin entrar en contacto con la pieza de trabajo, provocando lesiones corporales.
- c) **Aplique presión únicamente en línea directa con la broca y sin ejercer excesiva presión.** Las brocas pueden doblarse y provocar la pérdida de control y lesiones corporales.

ADVERTENCIAS DE SEGURIDAD PARA LA BATERÍA

- a) **No abra la batería.** Existe peligro de cortocircuito.
- b) **Proteja la batería del calor, p. ej., de la luz solar intensa continua, los incendios, el agua y la humedad.** Peligro de explosión.
- c) **En caso de daño y un uso incorrecto de la batería, se pueden emitir vapores. Ventile el área y busque asistencia médico en caso de queja.** Los vapores pueden irritar el sistema respiratorio.
- d) **Utilice la batería solo junto con su producto Ferm Industrial.** Esta medida protege la batería de sobrecargas peligrosas.
- e) **La batería puede sufrir daños ocasionados por objetos puntiagudos como clavos o destornilladores o por fuerzas externas ejercidas sobre ella.** Puede producirse un cortocircuito interno que dé lugar a que la batería se incendie, emita humo, explote o se sobrecaliente.

Advertencias de seguridad para el cargador

Uso previsto

Cargue los paquetes de baterías CDA1132P y CDA1133P recargables con el cargador.

Use solo las siguientes baterías de la plataforma de baterías Ferm Industrial FI20V. El uso de cualquier otra batería puede causar lesiones

graves o dañar la herramienta.

CDA1132P 20 V, 2 Ah de iones de litio
CDA1133P 20 V, 4 Ah de iones de litio

Para cargar estas baterías se puede utilizar el siguiente cargador de batería.

Cargador rápido CDA1131P

Las baterías de la plataforma de baterías Ferm Industrial FI20V son intercambiables con todas las herramientas de la plataforma de baterías Ferm Industrial FI20V.

Riesgos residuales

Aunque la herramienta sea usada según se prescribe, es imposible eliminar todos los factores de riesgo residual. Pueden surgir los siguientes peligros en relación con la fabricación y el diseño de las herramientas eléctricas:

- a) Problemas de salud derivados de la emisión de las vibraciones, si la herramienta eléctrica se usa durante un periodo de tiempo prolongado o no se maneja y mantiene adecuadamente.
- b) Lesiones y daños materiales debidos a accesorios rotos que se caen repentinamente.



Advertencia Esta herramienta eléctrica produce un campo electromagnético durante el funcionamiento. Este campo puede interferir bajo algunas circunstancias con implantes médicos activos o pasivos. Para reducir el riesgo de lesiones serias o fatales, recomendamos que las personas con implantes médicos consulten a su médico y al fabricante del implante médico antes de utilizar esta herramienta eléctrica.

Sustitución del cable de alimentación

Si el cable de alimentación se daña, debe ser sustituido por el fabricante, sus centros de servicios u otras personas con cualificación similar, para evitar peligros.

2. INFORMACIÓN DE LA MÁQUINA

Uso previsto

Este taladro inalámbrico ha sido diseñado para atornillar y aflojar tornillos y para taladrar madera, metales y plásticos.

Especificaciones técnicas

Máquina	CDM1141P
Voltaje	20 V
Capacidad del portaherramienta	1.5-13 mm
Velocidad sin carga	
Posición 1:	0-450/min
Posición 2:	0-1700/min
Par de apriete máx.	50 N.m.
Valores de par de apriete	21 + modo taladro
Peso (sin el paquete de baterías)	1,24 kg
Nivel de presión acústica	L_{PA} 92 dB(A), K=3dB(A)
Nivel de presión acústica	L_{WA} 103 dB(A), K=3dB(A)
Vibración	2,93 m/s ² K=1,5 m/s ²

Cargador	CDA1131P
Entrada del cargador	100-240VAC 50-60Hz, 50W
Salida del cargador	20V 2A
Tiempo de carga de la batería de 2 Ah	60 minutos
Tiempo de carga de la batería de 4 Ah	120 minutos
Baterías recomendadas	CDA1132P, CDA1133P
Peso	0,36 kg

Batería	CDA1132P
Tipo de batería	iones de litio
Voltaje	20 V
Capacidad	2,0 Ah
Cargador recomendado	CDA1131P
Peso	0,38 kg

Nivel de vibración

El nivel de vibraciones emitidas declarado en el presente manual de instrucciones ha sido medido de acuerdo con una prueba normalizada indicada en la norma EN 62841; puede usarse para comparar una herramienta con otra y como evaluación preliminar de exposición a la vibración cuando se usa una herramienta para las aplicaciones mencionadas.

- Usar la herramienta para diferentes aplicaciones o con accesorios diferentes o escasamente mantenidos, puede aumentar significativamente el nivel de exposición.
- Cuando la herramienta está apagada o está en funcionamiento pero no está ejecutando realmente ninguna tarea puede reducirse significativamente el nivel de exposición.

Protéjase contra los efectos de las vibraciones haciendo el mantenimiento a la herramienta y a sus accesorios, manteniendo las manos calientes y organizando sus patrones de trabajo.

Descripción

Los números del texto se refieren a los diagramas de las páginas 2-3

Fig. A

1. Máquina
2. Batería
3. Botón de desbloqueo de la batería
4. Indicación de carga de la batería
5. Cargador
6. Indicadores LED del cargador
7. Portaherramienta
9. Interruptor de selección de velocidades
10. Interruptor de dirección
11. Interruptor de Encendido/Apagado
12. Anillo de ajuste de par
13. Luz de trabajo
14. Gancho para cinturón

3. FUNCIONAMIENTO



Debe cargarse la batería antes de usar por primera vez la herramienta.

Extraer la batería de la máquina

Fig. B

- Aferre la máquina (1) firmemente con una mano.
- Apriete el botón de desbloqueo de la batería (3) situado en la parte posterior de la batería (2) con la otra mano.
- Mantenga apretado el botón (3) y deslice la batería hacia atrás para sacarla de la máquina, como se muestra en la Fig. B.

Insertar la batería en la máquina

Fig. B



Compruebe que la parte exterior de la batería esté limpia y seca antes de colocarla en el cargador o en la máquina.

- Aferre la máquina (1) firmemente con una mano.
- Inserte la batería (2) en la base de la máquina como se muestra en la Fig. B.
- Pulse la batería más hacia delante hasta que haga clic en su sitio.

Comprobar el estado de carga de la batería

Fig. C



La batería suministrada está parcialmente cargada.

- Para comprobar el estado de carga de la batería, apriete brevemente el botón (4) de la batería.
- La batería tiene 3 luces que indican el nivel de carga, cuantas más luces tiene, más batería queda.

Carga de la batería (con el cargador)

Fig. C

- Extraiga la batería (2) de la máquina.
- Dé vuelta la batería (2) y deslícela en el cargador (5) como se muestra en la Fig. C.
- Empuje la batería hasta que quede totalmente colocada en la ranura.
- Enchufe el enchufe del cargador en una toma de corriente eléctrica y espere un poco. Los indicadores de LED del cargador (6) se encenderán y mostrarán el estado del cargador.

Indicadores de LED (6)

Fig. C

El cargador tiene 2 indicadores de LED (6) que indican el estado del proceso de carga:

Estado del LED rojo:	Estado del LED verde:	Estado del cargador
Apagado	Apagado	Sin energía
Encendido	Apagado	Modo de espera: -Ninguna batería insertada o, -Batería insertada pero la carga ha finalizado hace más de 2 horas
Parpadeo	Parpadeo	Batería defectuosa
Encendido	Parpadeo	Carga de la batería en curso
Encendido	Encendido	Ha finalizado la carga de la batería, batería totalmente cargada
Parpadeo	Apagado	La batería está demasiado caliente, el proceso de carga está en espera. La carga iniciará automáticamente después de que la batería se haya enfriado.

- La carga completa de la batería puede llevar hasta 60 minutos.
- Después de que la batería esté totalmente cargada, desenchufe el enchufe del cargador de la toma de corriente y extraiga la batería del cargador.
- La batería puede guardarse o directamente instalarse en la máquina.



Las celdas de iones de litio pueden guardarse por un largo periodo sin perder mucho la carga. Cuando la máquina no se utilizará por un largo periodo de tiempo, es conveniente guardar la batería cargada.

Colocar y extraer brocas y puntas de atornillar

Fig. A



Extraiga siempre la batería antes de montar un accesorio.

El portaherramienta del taladro (7) es apto para brocas y puntas de atornillar de mango redondo y hexagonal.

- Aferre la máquina firmemente con una mano.
- Abra el portaherramientas del taladro (7) girando el manguito del portaherramienta con la otra mano en el sentido de las agujas del reloj hasta que se abra lo suficiente para que entre la broca.
- Inserte el mango de la broca o de la punta de atornillar.
- Vuelva a apretar bien el portaherramienta girando el manguito del portaherramienta en sentido contrario a las agujas del reloj.
- Compruebe que la broca esté bien centrada activando brevemente la máquina con el interruptor de encendido/apagado.

Ajuste de velocidades

Fig. A



Nunca cambie las velocidades cuando el motor está en funcionamiento porque se daña la máquina.



Nunca coloque el interruptor en medio de dos posiciones porque se daña la máquina.

La máquina tiene dos velocidades de taladrado 2, que pueden ajustarse deslizando el interruptor de velocidades (9) hacia delante o hacia atrás. El número de interruptor de velocidad (9) muestra la posición elegida.

- Posición 1: Para taladrado lento, diámetro de taladrado grande o atornillado. La máquina tiene alta potencia a baja velocidad.
- Posición 2: Para taladrado veloz o diámetro de taladrado pequeño.

Ajuste de la dirección de rotación

Fig. A

- Coloque el interruptor de dirección (10) en la posición '←' para atornillar o para usar como taladro.
- Coloque el interruptor de dirección (10) en la posición '→' para sacar tornillos.

Cambiar la máquina entre encendido y apagado

Fig. A

El interruptor de encendido/apagado (11) se usa para activar la máquina y ajustar la velocidad de rotación.

- Al pulsar el interruptor de encendido/apagado (11) se activa la máquina, cuanto más se pulsa

el interruptor, más veloz se vuelve el taladro.

- Al soltar el interruptor de encendido/apagado (11) se detiene la máquina.
- Mueva el interruptor de inversión de dirección (10) a la posición intermedia para bloquear el movimiento del interruptor de encendido/apagado. No puede activarse en esta posición.



Apoye la máquina solo cuando se haya detenido completamente. No la coloque sobre superficies polvorosas donde las partículas de polvo puedan entrar en el mecanismo.

Ajuste de par de apriete

Fig. A

La máquina tiene ajustes de par de apriete diferentes y un modo de taladrado especial para ajustar la potencia transmitida al portaherramienta.

Al girar el anillo de ajuste de par de apriete (12), los tornillos pueden atornillarse hasta una profundidad predeterminada, lo que es ideal para trabajos repetitivos. Cuanto más elevado es el número, más par de apriete se transmite.

- Seleccione un ajuste bajo para tornillos pequeños o materiales de trabajo blandos.
- Seleccione un ajuste alto para tornillos grandes, materiales de trabajo duros y cuando extraiga tornillos.
- Elija preferentemente un ajuste tan bajo como sea posible para atornillar. Seleccione el ajuste más alto si el motor resbala antes de que el tornillo esté totalmente apretado.
- Para taladrado, gire el anillo de ajuste de par de apriete (12) al ajuste de taladrado girándolo completamente en sentido contrario a las agujas del reloj.



Asegúrese de que el interruptor de dirección (10) esté siempre ajustado en ← durante el taladrado.



La máquina está dotada de una función de protección contra la sobrecarga electrónica. Cuando la máquina se sobrecarga se apaga automáticamente. Cuando esto sucede, espere por lo menos 5 segundos para que se restablezca la protección contra sobrecarga.

Luz de trabajo (13)

Fig. A

La máquina está dotada de una luz de trabajo para iluminar el lugar de trabajo.

- Se enciende automáticamente al pulsar el interruptor de encendido/apagado.
- Se apaga automáticamente al volver a liberar el interruptor de encendido/apagado.

Gancho para cinturón (14)

Fig. A

La máquina está dotada de un gancho para cinturón para colgar la máquina en el cinturón durante el uso.



Cambie siempre el interruptor de dirección (10) a la posición media para evitar el arranque accidental de la máquina.

- Cuando se suministra, el gancho para cinturón (14) está montado en el lado izquierdo de la máquina.
- Puede extraerse fácilmente sacando el tornillo del gancho y después el gancho.
- Puede montarse en el lado derecho de la máquina si se prefiere.

Consejos para el usuario

Cuando atornille tornillos en madera, metales y otros materiales:

- Antes de usar el aparato compruebe que la broca o punta de atornillar esté correctamente colocada y centrada dentro del portaherramienta.
- Las puntas de atornillar están disponibles en varios formatos y tamaños. Cuando no esté seguro, pruebe siempre si la punta de atornillar coincide con la cabeza del tornillo sin hacer juego antes de usar la máquina.
- Asegúrese de que la máquina no esté en funcionamiento cuando está en contacto con el tornillo. Una punta que gira puede resbalar. Esto puede dañar la pieza de trabajo.

Cuando taladre madera, metales y otros materiales:

- Con brocas de diámetro pequeño, use una velocidad de broca elevada. Con brocas de diámetro grande, use una velocidad de broca baja.
- Para materiales duros, seleccione una velocidad

de broca baja, para materiales blandos seleccione una velocidad de broca alta.

- Sujete la pieza de trabajo en modo adecuado, preferentemente usando una mordaza o un tornillo de banco.
- Durante el taladrado saque el taladro del orificio frecuentemente para que salgan las virutas y el polvo.

Cuando taladre metales:

- Use una broca para metales (HSS). Para obtener mejores resultados debería enfriar la broca con aceite.
- Las brocas para metal (HSS) pueden utilizarse también para taladrar plásticos.

4. MANTENIMIENTO



Antes de realizar la limpieza y el mantenimiento, apague siempre la máquina y extraiga el paquete de baterías de la máquina.

Limpie regularmente la carcasa de la máquina con un paño suave, preferentemente después de cada uso. Compruebe que los orificios de ventilación estén libres de polvo y suciedad. Elimine el polvo persistente utilizando un paño suave humedecido con agua y jabón. No use disolventes tales como gasolina, alcohol, amoníaco, etc. Tales productos químicos pueden dañar los componentes sintéticos.

MEDIOAMBIENTE



Los aparatos eléctricos o electrónicos defectuosos y/o desechados deben recogerse en lugares de reciclado apropiado.

Solo para países de la Comunidad Europea

No elimine las herramientas eléctricas como residuos domésticos. De acuerdo con la Directiva europea 2012/19/EU sobre residuos de aparatos eléctricos y electrónicos, y su transposición a las legislaciones nacionales, las herramientas eléctricas que ya no se utilizan deben recogerse por separado y eliminarse en modo ecológico.

GARANTÍA

Las condiciones de la garantía se encuentran en la tarjeta de garantía suministrada por separado.

El producto y el manual de usuario están sujetos a variaciones. Las especificaciones pueden variarse sin previo aviso.

Trapano/avvitatore senza fili con batteria Li-Ion 20V CDM1141P

Grazie per avere acquistato questo prodotto Ferm. Ora possiedi un prodotto eccellente, offerto da uno dei principali fornitori europei. Tutti i prodotti Ferm sono realizzati nel rispetto dei più rigorosi standard prestazionali e di sicurezza. Quale parte della nostra filosofia offriamo inoltre un servizio di assistenza ai clienti eccellente, supportato da una garanzia completa. Ci auguriamo che possiate utilizzare con soddisfazione questo prodotto per molti anni.

1. ISTRUZIONI DI SICUREZZA



Leggere le avvertenze di sicurezza contenute nel presente manuale, le avvertenze di sicurezza aggiuntive e le istruzioni. *La mancata osservanza delle avvertenze di sicurezza e delle istruzioni potrebbe causare scosse elettriche, incendi e/o lesioni gravi.* **Conservare le avvertenze di sicurezza e le istruzioni per una futura consultazione.**

I simboli riportati di seguito vengono utilizzati all'interno del manuale per l'utente oppure sono indicati sul prodotto:



Leggere il manuale per l'utente.



Denota il rischio di lesioni personali, morte o danni all'utensile in caso di mancata osservanza delle istruzioni contenute nel presente manuale.



Rischio di scosse elettriche



Velocità elettronica variabile



Rotazione, sinistra/destra



Non esporre alla pioggia



Solo per uso interno



Apparecchio di Classe II - Doppio isolamento - Non è necessario il collegamento a terra.



Temperatura massima 40° C



Non gettare la batteria nel fuoco



Non gettare la batteria nell'acqua



Non smaltire il prodotto in contenitori non idonei.



Raccolta differenziata per la batteria agli ioni di litio.



Fusibile miniaturizzato a tempo ritardato



Il prodotto è conforme alle norme di sicurezza vigenti ai sensi delle direttive europee.

Avvertenze di sicurezza aggiuntive per trapani e avvitatori

Avvertenze di sicurezza per l'esecuzione di fori

- Quando si eseguono fori a percussione indossare dispositivi di protezione per l'udito. L'esposizione al rumore può provocare la perdita dell'udito.
- Quando si eseguono operazioni in cui l'accessorio da taglio potrebbe entrare in contatto con fili elettrici nascosti, tenere l'elettrotensile dalle superfici di presa isolate. Gli accessori da taglio che vengono a contatto con un cavo sotto tensione trasmettono la corrente elettrica anche alle parti metalliche esposte dell'elettrotensile e possono provocare la folgorazione dell'operatore.
- Prima dell'uso sostenere l'elettrotensile in modo adeguato. Questo elettrotensile produce una coppia di uscita elevata e se non viene sorretto correttamente durante l'uso potrebbe provocare lesioni personali.

Istruzioni di sicurezza per l'uso di punte lunghe

- Non azionare mai il trapano a una velocità superiore alla velocità massima nominale della punta. A velocità superiori è probabile che la punta si pieghi se viene lasciata ruotare

liberamente senza toccare il pezzo da lavorare, con la possibilità di conseguenti lesioni personali.

- Iniziare sempre a eseguire un foro a bassa velocità e con la punta a contatto con il pezzo da lavorare. A velocità superiori è probabile che la punta si pieghi se viene lasciata ruotare liberamente senza toccare il pezzo da lavorare, con la possibilità di conseguenti lesioni personali.
- Applicare pressione solo in linea diretta con la punta (non esercitare una pressione eccessiva). Le punte potrebbero piegarsi e rompersi o provocare la perdita di controllo del trapano con la possibilità di conseguenti lesioni personali.

Avvertenze di sicurezza per la batteria

- Non aprire la batteria. Pericolo di cortocircuito.
- Proteggere la batteria dal calore, ad esempio dalla luce solare intensa, dal fuoco, dall'acqua e dall'umidità. Pericolo di esplosione.
- In caso di danni e uso improprio della batteria, potrebbero essere emessi dei vapori. Ventilare l'area e rivolgersi a un medico in caso di malessere. I vapori possono irritare il sistema respiratorio.
- Utilizzare la batteria solo in combinazione con il prodotto Ferm Industrial. Questo accorgimento protegge la batteria da un sovraccarico pericoloso.
- La batteria può essere danneggiata da oggetti appuntiti come chiodi o cacciaviti o da una forza applicata esternamente. Si può verificare un cortocircuito interno e la batteria potrebbe bruciare, fumare, esplodere o surriscaldarsi.

Avvertenze di sicurezza per il caricabatterie

Uso previsto

Caricare solo pacchi batteria ricaricabili di tipo CDA1132P e CDA1133P con il caricabatterie.

Utilizzare esclusivamente le batterie seguenti della piattaforma di batterie Ferm Industrial FI20V. L'uso di batterie diverse potrebbe causare gravi lesioni personali o danni all'elettrotensile.

CDA1132P 20V, 2Ah Ioni di litio
CDA1133P 20V, 4Ah Ioni di litio

Il caricabatterie seguente può essere usato per caricare queste batterie.

CDA1131P Caricabatterie rapido

Le batterie della piattaforma di batterie Fern Industrial FI20V sono intercambiabili con tutti gli elettrotensili con batterie della piattaforma Fern Industrial FI20V.

Rischi residui

Anche quando l'elettrotensile viene usato rispettando le indicazioni fornite non è possibile eliminare tutti i fattori di rischio residui. Possono insorgere i seguenti rischi associati alle caratteristiche strutturali e di configurazione dell'elettrotensile:

- problemi di salute derivanti dall'emissione di vibrazioni se l'elettrotensile viene usato per un periodo prolungato oppure se non è adeguatamente gestito e correttamente mantenuto;
- lesioni personali o danni materiali dovuti ad accessori rotti che si disintegrano.



Avvertenza! *Quando è in funzione questo elettrotensile produce un campo elettromagnetico. In determinate circostanze, tale campo elettromagnetico potrebbe interferire con il funzionamento di impianti medici attivi o passivi. Per ridurre il rischio di incidenti gravi o mortali, raccomandiamo alle persone con impianti medici di consultare il proprio medico o il costruttore dell'impianto medicale prima di utilizzare questo elettrotensile.*

Sostituzione del cavo di alimentazione

Se il cavo di alimentazione è danneggiato, deve essere sostituito dal costruttore, da un suo rappresentante addetto all'assistenza o da altre persone con qualifica simile al fine di evitare rischi per la sicurezza.

2. INFORMAZIONI RELATIVE ALL'ELETTROTENSILE

Uso previsto

Questo trapano senza fili è destinato all'inserimento e all'allentamento di viti oltre che alla perforazione di legno, metallo e plastica.

Dati tecnici

Macchina	CDM1141P
Tensione	20V
Mandrino Attacco	1,5-13 mm
Velocità a vuoto	
Posizione 1:	0-450 giri/min
Posizione 2:	0-1700 giri/min
Coppia max.	50 N.m.
Impostazioni coppia	23 + Modalità perforazione
Peso (senza batterie)	1,24 kg
Livello di pressione sonora	L_{pA} 92 dB(A), K=3dB(A)
Livello di potenza sonora	L_{WA} 103 dB(A), K=3dB(A)
Vibrazioni	2,93 m/s ² K=1,5 m/s ²

Caricabatterie	CDA1131P
Ingresso del caricabatterie	100-240VAC 50-60Hz, 50W
Uscita del caricabatterie	20V 2A
Tempo di ricarica batteria 2Ah	60 minuti
Tempo di ricarica batteria 4Ah	120 minuti
Batterie raccomandate	CDA1132P, CDA1133P
Peso	0,36 kg

Batteria	CDA1132P
Tipo di batteria	Ioni di litio
Tensione	20V
Capacità	2.0 Ah
Caricabatterie consigliato	CDA1131P
Peso	0,38 kg

Livello di emissione di vibrazioni

Il livello di emissione di vibrazioni indicato nel presente manuale d'istruzioni è stato misurato in base al test standardizzato previsto dalla normativa EN 62841; può essere utilizzato per confrontare vari apparecchi fra loro e come valutazione preliminare dell'esposizione alle vibrazioni quando si utilizza l'elettrotensile per le applicazioni menzionate.

- L'uso dell'elettrotensile per applicazioni o con accessori diversi o in condizioni di scarsa manutenzione, potrebbe aumentare notevolmente il livello di esposizione a vibrazioni.

- I momenti in cui l'elettrotensile è spento o quando è acceso ma non viene utilizzato potrebbero ridurre sensibilmente il livello di esposizione a vibrazioni.

Proteggersi contro gli effetti delle vibrazioni sottoponendo l'utensile e i relativi accessori a regolare manutenzione, evitare il raffreddamento delle mani, organizzare opportunamente i turni di lavoro.

Descrizione

I numeri che compaiono nel testo si riferiscono agli schemi riportati alle pagine 2-3

Fig. A

1. Elettrotensile
2. Batteria
3. Pulsante di sblocco batteria
4. Indicatore di carica batteria
5. Caricabatterie
6. Indicatori a LED caricabatterie
7. Mandrino
9. Selettore di velocità
10. Selettore di direzione
11. Interruttore On/Off
12. Anello di regolazione coppia
13. Luce di lavoro
14. Gancio per cintura

3. UTILIZZO



Prima del primo utilizzo la batteria deve essere caricata.

Rimozione della batteria dall'elettrotensile

Fig. B

- Tenere fermo l'elettrotensile (1) saldamente con una mano.
- Premere il pulsante di sblocco della batteria (3) situato nella parte posteriore della batteria (2) con l'altra mano.
- Mantenendo premuto il pulsante (3) fare scorrere indietro la batteria estraendola dall'elettrotensile, come illustrato nella Fig. B.

Inserimento della batteria nell'elettrotensile

Fig. B



Assicurarsi che la batteria sia pulita esternamente prima di collegarla al caricabatterie o all'elettrotensile.

- Tenere fermo l'elettrotensile (1) saldamente con una mano.
- Inserire la batteria (2) nella base dell'elettrotensile, come illustrato nella Fig B.
- Spingere in avanti la batteria finché scatta in posizione con un clic.

Verifica dello stato di carica della batteria

Fig. C



La batteria inclusa viene fornita in condizioni di carica parziale.

- Per verificare lo stato di carica della batteria, premere brevemente il pulsante (4) sulla batteria.
- La batteria presenta 3 spie che indicano il livello di carica: più spie sono accese più la batteria è carica.

Carica della batteria (con il caricabatterie)

Fig. C

- Rimuovere la batteria (2) dall'elettrotensile.
- Capovolgere la batteria (2) e inserirla nel caricabatterie (5), come illustrato nella Fig. C.
- Spingere la batteria finché si incastra nell'apposito alloggiamento.
- Collegare la spina del caricabatterie a una presa elettrica e attendere un momento. Gli indicatori a LED sul caricabatterie (6) si illuminano e mostrano lo stato di carica della batteria.

Indicatori a LED (6)

Fig. C

Sul caricabatterie sono presenti 2 indicatori a LED (6) che mostrano lo stato del processo di carica:

Stato LED rosso:	Stato LED verde:	Stato caricabatterie
Spento	Spento	Corrente assente
Acceso stabile	Spento	Modalità standby: -nessuna batteria inserita oppure -batteria inserita, ma il processo di carica è terminato più di due ore prima
Lampeggiante	Lampeggiante	Batteria difettosa
Acceso stabile	Lampeggiante	In carica
Acceso stabile	Acceso stabile	Carica terminata, batteria completamente carica

Lampeggiante	Spento	La batteria ha raggiunto una temperatura troppo elevata. Il processo di carica è stato sospeso. Il processo di carica riprenderà automaticamente appena la batteria si sarà raffreddata.
--------------	--------	--

- Per caricare completamente la batteria possono essere necessari fino a 60 minuti.
- Una volta caricata la batteria, rimuovere la spina del caricabatterie dalla presa di corrente e rimuovere la batteria dal caricabatterie.
- La batteria può essere riposta o installata direttamente sull'elettrotensile.



Le celle agli ioni di litio possono essere conservate per un lungo periodo senza perdere molto della loro carica. Se si prevede che l'elettrotensile non verrà usato per molto tempo si consiglia di conservare le batterie cariche.

Inserimento e rimozione delle punte di trapano o di cacciavite

Fig. A



Rimuovere sempre la batteria prima di inserire un accessorio.

Il mandrino del trapano (7) è adatto per le punte per perforazione e per quelle per avvitamento con un attacco tondo o esagonale.

- Tenere fermo l'elettrotensile saldamente con una mano.
- Aprire il mandrino del trapano (7) ruotando il collare con l'altra mano in senso orario finché è aperto a sufficienza per inserire la punta.
- Inserire l'attacco della punta di trapano o della punta di cacciavite.
- Stringere nuovamente il mandrino del trapano ruotando il collare con forza in senso antiorario.
- Verificare che la punta sia ben centrata azionando brevemente l'interruttore On/Off dell'elettrotensile.

Regolazione della velocità

Fig. A



Non cambiare mai la velocità di rotazione mentre il motore è avviato, perché l'elettrotensile potrebbe danneggiarsi.



Non posizionare mai il selettore di velocità in mezzo tra le due posizioni, perché l'elettrotensile potrebbe danneggiarsi.

L'elettrotensile ha 2 velocità che possono essere regolando facendo scorrere avanti o indietro il selettore di velocità (9). Il numero sul selettore di velocità (9) mostra la posizione scelta.

- Posizione 1: Per perforazioni a velocità ridotta, esecuzione di fori di diametro grande o inserimento di viti. L'elettrotensile ha una potenza elevata a velocità ridotta
- Posizione 2: Per perforazioni a velocità elevata o esecuzione di fori di diametro piccolo

Regolazione della direzione di rotazione

Fig. A

- Posizionare il selettore di direzione (10) su "←" per stringere le viti o per eseguire perforazioni.
- Posizionare il selettore di direzione (10) su "→" per rimuovere le viti.

Accensione e spegnimento dell'elettrotensile

Fig. A

L'interruttore On/Off (11) serve per mettere in funzione l'elettrotensile e regolare la velocità di rotazione.

- Premendo l'interruttore On/Off (11) l'elettrotensile si avvia. L'intensità di pressione dell'interruttore determina la velocità di rotazione del trapano.
- Rilasciando l'interruttore On/Off (11) l'elettrotensile si arresta.
- Spostare il selettore di direzione (10) in posizione centrale per bloccare il movimento dell'interruttore On/Off. Con il selettore di direzione in tale posizione l'elettrotensile non può essere attivato.



Appoggiare l'elettrotensile solamente quando si è arrestato completamente. Non collocarlo su una superficie impolverata in quanto le particelle di polvere potrebbero entrare nel meccanismo.

Regolazione della coppia

Fig. A

L'elettrotensile ha impostazioni di coppia diversi e una modalità di perforazione speciale per stabilire la potenza trasmessa al mandrino.

Ruotando l'anello di regolazione della coppia (12), le viti possono essere inserite a una profondità prestabilita; ciò è ideale per i lavori ripetitivi. Quanto più alto è il numero tanto maggiore è la coppia trasmessa.

- Selezionare un'impostazione bassa per le viti piccole o per materiali teneri.
- Selezionare un'impostazione alta per le viti grandi, per materiali duri e per rimuovere delle viti.
- Per inserire delle viti scegliere preferibilmente la più bassa impostazione possibile. Se prima che la vite sia completamente serrata il motore slitta, selezionare un'impostazione più alta.
- Per eseguire perforazioni, ruotare l'anello di regolazione della coppia (12) sull'impostazione di trapano, girandolo completamente in senso antiorario.



Assicurarsi che il selettore di direzione (10) sia sempre impostato su "←" quando si eseguono perforazioni.



L'elettrotroutensile è dotato della funzione di protezione elettronica contro il sovraccarico. Quando l'elettrotroutensile è sovraccarico si spegne automaticamente. Se ciò avviene, attendere almeno 5 secondi per lasciare che la protezione contro il sovraccarico si resett.

Luce di lavoro (13)

Fig. A

L'elettrotroutensile è dotato di una lampada per illuminare l'area di lavoro.

- Si accende automaticamente quando viene premuto l'interruttore On/Off.
- Si spegne automaticamente quando viene premuto l'interruttore On/Off.

Gancio per cintura (14)

Fig. A

L'utensile è dotato di un gancio per appenderlo alla cintura durante l'uso.



Posizionare sempre il selettore di direzione (10) in posizione centrale per evitare l'avvio accidentale dell'elettrotroutensile.

- Alla consegna il gancio per cintura (14) è montato sul lato sinistro dell'elettrotroutensile.

- Il gancio può essere rimosso togliendo la vite sul gancio e staccandolo.
- Se preferisce è possibile montarlo sul lato destro dell'elettrotroutensile.

Suggerimenti per l'utente

Quando si devono inserire delle viti nel legno, nel metallo e in altri materiali:

- Prima di utilizzare l'elettrotroutensile verificare se la punta di trapano o la punta di cacciavite sia inserita correttamente e centrata all'interno del mandrino.
- Le punte di cacciavite sono disponibili in svariate forme e dimensioni. Se non si è sicuri, provare sempre se la punta è adatta alla testa della vite senza gioco prima di utilizzare l'elettrotroutensile
- Accertarsi che l'elettrotroutensile non sia in funzione quando entra in contatto con la vite. Una punta in rotazione potrebbe scivolare, danneggiando il pezzo da lavorare.

Quando si deve perforare il legno, il metallo e altri materiali:

- Per i fori di piccolo diametro usare una velocità alta. Per i fori di diametro grande usare una velocità bassa.
- Per i materiali duri selezionare una velocità bassa, per i materiali teneri una velocità alta.
- Fissare opportunamente il pezzo da lavorare, preferibilmente utilizzando una morsa o un morsetto.
- Durante le perforazioni estrarre spesso la punta del trapano dal foro in modo che trucioli e polvere siano rimossi.

Quando si deve perforare il metallo:

- Usare una punta di trapano per metallo (HSS). Per ottenere i migliori risultati raffreddare la punta con olio.
- Le punte di trapano per metallo (HSS) possono essere usate anche per perforare la plastica.

4. MANUTENZIONE



Prima di eseguire qualsiasi operazione di pulizia e intervento di manutenzione spegnere sempre l'elettrotroutensile e rimuovere la batteria dall'elettrotroutensile.

Pulire regolarmente il corpo dell'elettrotensile con un panno morbido, preferibilmente dopo ogni uso. Assicurarsi che le prese d'aria siano libere da polvere e sporcizia. Rimuovere lo sporco particolarmente ostinato con un panno morbido inumidito con acqua e sapone. Non utilizzare solventi come benzina, alcol, ammoniaca, ecc. Le sostanze chimiche di questo tipo danneggiano i componenti sintetici.

RISPETTO AMBIENTALE



Le apparecchiature elettriche o elettroniche difettose e/o scartate devono essere raccolte presso gli opportuni siti di riciclaggio.

Solo per i Paesi CE

Non smaltire gli elettrotensili insieme ai rifiuti domestici. Secondo la Direttiva europea 2012/19/EU sui rifiuti delle apparecchiature elettriche ed elettroniche e relativa implementazione nelle normative locali, gli elettrotensili ormai inutilizzabili devono essere raccolti separatamente e smaltiti in modo ecologico.

GARANZIA

Le condizioni della garanzia possono essere consultate sul foglio di garanzia separato allegato al presente manuale.

Il prodotto e il manuale per l'utente sono soggetti a modifiche. I dati tecnici possono essere modificati senza ulteriore notifica.

Trådlös litiumjonnorr 20V CDM1141P

Tack för att du har köpt denna Fermprodukt. Genom att göra så har du nu en utmärkt produkt, levererad av en av Europas ledande leverantörer. Alla produkter som Ferm levererar till dig tillverkas enligt de högsta standarderna för prestanda och säkerhet. Som en del av vår filosofi tillhandahåller vi också utmärkt kundtjänst som täcks av vår omfattande garanti. Vi hoppas att du kommer att ha glädje av denna produkt i många år framöver.

1. SÄKERHETSANVISNINGAR



Läs de medföljande säkerhetsvarningarna, de kompletterande säkerhetsvarningarna och anvisningarna. Underlåtenhet att följa säkerhetsvarningarna och anvisningarna kan orsaka elstöt, brand och/eller allvarlig skada. Spara säkerhetsvarningarna och anvisningarna för framtida bruk.

Följande symboler används i användarhandboken eller på produkten:



Läs användarhandboken.



Anger risk för personskada, dödsfall eller skada på verktyget om anvisningarna i denna handbok inte följs.



Risk för elstöt



Variabla elektroniska varvtal



Rotation, vänster/höger



Använd inte i regn



Använd endast inomhus



Klass II-maskin - dubbel isolering - du behöver ingen jordad kontakt.



Maxtemperatur 40° C



Kasta inte batteriet i eld



Kasta inte batteriet i vatten



Kassera inte produkten i olämpliga containrar.



Separat återvinning av litiumjonbatteriet.



Länk till tidsfördröjd miniatyrsäkring



Produkten uppfyller gällande säkerhetsnormer i EU-direktiven.

Ytterligare säkerhetsvarningar för borrar och skruvdragare

Borrsäkerhetsvarningar

- Använd hörselskydd vid slagborrning.**
Exponering för buller kan orsaka hörselnedsättning.
- Håll elverktyget i de isolerade greppytorna när du utför arbete där kaptillbehör kan komma i kontakt med dolda ledningar.**
Kaptillbehör som kommer i kontakt med en strömförande ledning kan orsaka att elverktygets synliga metalldelar blir strömförande och ger användaren en elstöt.
- Spänn fast verktyget ordentligt innan användning.** *Detta verktyg producerar ett starkt utmatat vridmoment och utan korrekt fastsättning av verktyget under arbetet kan kontrollen förloras vilket kan resultera i allvarliga personskador.*

Säkerhetsinstruktioner när långa borrbits används

- Arbeta aldrig med högre hastighet än den märkta maximala hastigheten för bitsen.**
Vid högre hastighet kan bitsen böjas om den får rotera fritt utan kontakt med arbetsstycket vilken kan resultera i personskador.
- På börja alltid borrningen med låg hastighet och med bitsens spets i kontakt med arbetsstycket.** *Vid högre hastighet kan bitsen*

böjas om den får rotera fritt utan kontakt med arbetsstycket vilken kan resultera i personskador.

- Använd endast tryck i direkt linje med bitsen och använd inte överdrivet tryck.**
Bitsar kan böjas och göra att den bryts sönder eller att kontrollen förloras vilket kan resultera i personskador.

Säkerhetsvarningar för batteri

- Öppna inte batteriet.** *Risk för kortslutning.*
- Skydda batteriet mot hetta, t.ex. mot kontinuerlig intensiv solstrålning, brand, vatten och fukt.** *Risk för explosion.*
- Vid skada och felaktig användning av batteriet kan ångor läcka ut. Ventilera området och sök medicinsk hjälp vid besvär.**
Ångorna kan irritera andningssystemet.
- Använd endast batteriet i kombination med din Ferm industriprodukt.** *Denna åtgärd ensam skyddar batteriet mot farlig överbelastning.*
- Batteriet kan skadas av vassa föremål såsom spikar eller skruvmejslar eller externa krafter.** *En intern kortslutning kan uppstå och batteriet kan brinna, avge rök, explodera eller överhettas.*

Säkerhetsvarningar för laddare

Avsedd användning

Ladda endast CDA1132P och CDA1133P typ av laddningsbara batterier Batteripaket med laddaren.

Använd endast följande batterier från Ferm industri FI20V batteriplattform. Användning av andra batterier kan orsaka allvarliga skador eller skador på verktyget.

CDA1132P 20V, 2Ah Litium-jon

CDA1133P 20V, 4Ah Litium-jon

Följande laddare kan användas för att ladda dessa batterier.

CDA1131P Snabbladdare

Batterierna från Ferm industri FI20V batteriplattform är utbytbara mellan alla Ferm industri FI20V batteriplattformens verktyg.

Restrisker

Även när verktyget används enligt föreskrifterna är det inte möjligt att undanröja alla restrisikfaktorer. Följande faror kan uppkomma i samband med elverktygets konstruktion och utformning:

- Hälsodefekter till följd av vibrationer om elverktyget används över längre tid eller inte hanteras på rätt sätt eller underhålls ordentligt.
- Skador på personer och egendom till följd av trasiga tillbehör som plötsligt går sönder.



Varning! Elverktyget producerar ett elektromagnetiskt fält när det används. Detta fält kan under vissa omständigheter störa aktiva eller passiva medicinska implantat. För att minska risken för allvarlig eller dödlig skada rekommenderar vi att personer med medicinska implantat rådgör med sin läkare och det medicinska implantatets tillverkare innan de använder detta elverktyg.

Byte av strömsladd

Om en strömsladd är skadad måste den bytas av tillverkaren, tillverkarens serviceombud eller liknande kvalificerad personal för att undvika fara.

2. MASKININFORMATION

Avsedd användning

Denna trådlösa borrar är avsedd för åtdragning och lossning av skruvar samt borrning i trä, metall och plast.

Tekniska specifikationer

Maskin	CDM1141P
Spänning	20V
Chuckkapacitet	1,5-13 mm
Varvtal utan belastning	
Position 1:	0-450/min
Position 2:	0-1700/min
Max vridmoment	50 N.m.
Momentinställningar	23 + borrläge
Vikt (utan batteripaket)	1,24 kg
Ljudtrycksnivå	L_{PA} 92 dB(A), K=3dB(A)
Ljudeffektnivå	L_{WA} 103 dB(A), K=3dB(A)
Vibration	2,93 m/s ² K=1,5 m/s ²

Laddare	CDA1131P
Laddarinmatning	100-240VAC 50-60Hz, 50W
Laddarutmatning	20V 2A
Laddningstid 2Ah batteri	60 minuter
Laddningstid 4Ah batteri	120 minuter
Rekommenderade batterier	CDA1132P, CDA1133P
Vikt	0,36 kg

Batteri	CDA1132P
Batterityp	Litium-jon
Spänning	20V
Kapacitet	2,0 Ah
Rekommenderad laddare	CDA1131P
Vikt	0,38 kg

Vibrationsnivå

Vibrationsutsläppsnivån som anges i denna bruksanvisning har uppmätts i enlighet med ett standardiserat test i EN 62841, som kan användas för att jämföra verktyg med varandra och som en preliminär bedömning av exponering för vibrationer när du använder verktyget för angivna arbeten.

- Användning av verktyget för andra tillämpningar, eller med olika eller dåligt underhållna tillbehör kan avsevärt öka exponeringsnivån.
- De gånger då verktyget stängs av eller är på men egentligen inte används kan minska exponeringsnivån betydligt.

Skydda dig mot effekterna av vibrationer genom att underhålla verktyget och dess tillbehör, hålla händerna varma och organisera ditt arbetsmönster.

Beskrivning

Siffrorna i texten hänvisar till diagrammen på sidorna 2-3

Fig. A

- Maskin
- Batteri
- Upplåsningsknapp för batteriet
- Laddningsindikering för batteriet
- Laddare
- LED-laddningsindikering

7. Chuck
9. Växelväljare
10. Riktningsbrytare
11. Växelbrytare
12. Momentinställningsring
13. Arbetsljus
14. Bälteshake

3. ANVÄNDNING



Batteriet måste laddas innan det används för första gången.

Borttagning av batteriet från maskinen

Fig. B

- Håll maskinen (1) stadigt med en hand.
- Tryck ner batteriets upplåsningsknapp (3) på batteriets baksida (2) med din andra hand.
- Fortsätt trycka på denna knapp (3) och skjut batteriet bakåt ut ur maskinen enligt fig. B.

Insättning av batteriet i maskinen

Fig. B



Se till att batteriets utsida är ren och torr innan du ansluter det till laddaren eller maskinen.

- Håll maskinen (1) stadigt med en hand
- Sätt in batteriet (2) i maskinens bas enligt fig. B.
- Skjut batteriet framåt tills det klickar på plats.

Kontroll av batteriets laddningsstatus

Fig. C



Batteriet som medföljer levereras i delvis laddat tillstånd.

- Tryck kort på knappen (4) på batteriet för att kontrollera batteriets laddningsstatus.
- Batteriet har 3 lampor som indikerar laddningsnivån. Ju fler lampor som lyser, desto mer är batteriet laddat.

Laddning av batteriet (med laddaren)

Fig. C

- Ta ut batteriet (2) från maskinen.
- Vänd batteriet (2) upp och ner och tryck in det i laddaren (5) enligt fig. C.
- Tryck in batteriet tills det kommer in i luckan helt.
- Koppla in laddarens kontakt i ett eluttag och

vänta en stund. Laddarens LED-indikering (6) kommer att lysa och visa laddningsstatusen.

LED-indikering (6)

Fig. C

Laddaren har två laddningsindikeringslampor (6) som indikerar laddningsprocessens status:

Röd LED-status:	Grön LED-status:	Laddningsstatus
Av	Av	Ingen ström
På	Av	Standbyläge: -Inget batteri insatt eller -Batteri insatt men laddningen slutfördes för mer än 2 timmar sedan
Blinkande	Blinkande	Defekt batteri
På	Blinkande	Batteriladdning pågår
På	På	Batteriladdning slutförd, batteri fulladdat
Blinkande	Av	Batteriet för varmt, laddningsprocessen i viloläge. Laddningen kommer att startas automatiskt när batteriet har svalnat.

- Det kan ta upp till 60 minuter att fulladda batteriet.
- Ta ut laddningskontakten från uttaget och ta ut batteriet från laddaren när batteriet har fulladdats.
- Batteriet kan lagras eller installeras i maskinen direkt.



Litiumjonceller kan lagras långa perioder utan att förlora mycket av sin laddning. När maskinen inte används under längre tid är det bäst att lagra batteriet i laddat tillstånd.

Montering och borttagning av borrar eller skruvbits

Fig. A



Ta alltid ut batteriet innan du monterar ett tillbehör.

Borrchucken (7) är lämplig för borrar och skruvbits med runda skaft och sexkantsskaft.

- Håll maskinen stadigt med en hand

- Öppna borrchucken (7) genom att vrida chuckhysan medurs med din andra hand tills den öppnas tillräckligt mycket så att det går att sätta in skruvbitsen.
- Sätt in borren eller skruvbitsen.
- Dra åt borrchucken igen genom att vrida chuckhysan moturs.
- Kontrollera om skruvbitsen är centrerad genom att kort trycka på maskinens växelbrytare.

Justering av växlar

Fig. A



Byt aldrig växel när motorn är igång. Detta skadar din maskin.



Sätt aldrig växelväljaren mellan två lägen. Detta skadar din maskin.

Maskinen har två borrehastigheter som kan justeras genom att växelväljaren (9) skjuts framåt eller bakåt. Siffran på växelväljaren (9) visar vilket läge som har valts.

- Position 1: För långsam borring, stora borrhastigheter eller skruvdragning. Maskinen ger hög effekt vid lågt varvtal.
- Position 2: För snabb borring eller små borrhastigheter.

Justering av rotationsriktningen

Fig. A

- Sätt riktningbrytaren (10) till position "←" för att dra åt skruvar eller använda den för borring.
- Sätt riktningbrytaren (10) till position "→" för att ta ut skruvar.

Igångsättning och avstängning av maskinen

Fig. A

Växelbrytaren (11) används för aktivering av maskinen och justering av rotationshastigheten.

- Tryck på växelbrytaren (11) för att aktivera maskinen. Ju längre tid du trycker på brytaren, desto snabbare roterar borren.
- Om du frigör växelbrytaren (11) stoppas maskinen.
- Sätt riktningbrytaren (10) i mittposition för att låsa växelbrytaren. Den kan inte aktiveras i detta läge.



Lägg endast ifrån dig maskinen när den helt har slutat köra. Placera inte den på dammiga ytor eftersom dammpartiklar kan tränga in i mekanismen.

Justering av vridmomentet

Fig. A

Maskinen har olika momentinställningar samt ett särskilt borrläge som ställer in effekten som överförs till chucken.

Genom att vrida momentinställningsringen (12) kan du skruva in skruvar till ett förutbestämt djup, vilket är optimalt vid repetitiva arbetsuppgifter. Ju högre siffra, desto högre är momentet som överförs.

- Välj en låg inställning för små skruvar och mjukt bearbetningsmaterial.
- Välj en hög inställning för stora skruvar, hårda bearbetningsmaterial och när du drar ut skruvar.
- Välj företrädesvis en så låg inställning som möjligt när du drar åt skruvar. Välj en högre inställning om motorn hackar innan skruven är ordentligt åtdragen.
- Vrid momentinställningsringen (12) till borrläget genom att vrida den moturs så långt det går innan du börjar borra.



Se till att riktningbrytaren (10) alltid är satt till ← under borring.



Maskinen är utrustad med en elektronisk överlastskyddsfunktion. När maskinen överbelastas stängs den av automatiskt. Vänta minst 5 sekunder så att överlastskyddet återställs när detta inträffar.

Arbetsljus (13)

Fig. A

Maskinen är utrustad med ett arbetsljus som lyser upp arbetsstället.

- Det tänds automatiskt när växelbrytaren är intryckt.
- Det släcks automatiskt när växelbrytaren frigörs.

Bälteshake (14)

Fig. A

Maskinen är utrustad med en bälteshake som gör att du kan hänga maskinen på ditt bälte under användning.



Sätt alltid riktningsskiftningsbrytaren (10) i mellanposition för att undvika att maskinen startas oavsiktligt.

- Bälteshaken (14) är monterad på maskinens vänstra sida vid leverans.
- Den kan enkelt flyttas, skruvas loss och tas av.
- Den kan monteras på maskinens högra sida om detta föredras.

Användartips

När du drar åt skruvar i trä, metall och andra material:

- Kontrollera om borren eller skruvbitsen är ordentligt monterad och centrerad inuti borrhucken innan du använder verktyget.
- Skruvbitsar finns i många olika former och mått. Testa alltid om bitsen passar skruvhuvudet utan frigång innan du använder maskinen om du är osäker.
- Se till att maskinen inte är igång när den kommer i kontakt med skruven. Roterande bits kan slinka. Detta kan skada arbetsstycket.

När du borrar i trä, metall och andra material:

- Använd hög borrhastighet med små borrhastigheter. Använd låg borrhastighet med stora borrhastigheter.
- Välj låg borrhastighet för hårda material och hög borrhastighet för mjuka material.
- Fixera arbetsstycket ordentligt, företrädesvis med en klämma eller skruvstäd.
- Dra ofta ut borren ur hålet under borrar för att avlägsna spån och borrar.

När du borrar i metall:

- Använd en metallbör (HSS). Kyl ner skruvbitsen med olja för bästa resultat.
- Metallbör (HSS) kan också användas för borrar i plast.

UNDERHÅLL



Stäng alltid av maskinen och ta ut batteripaketet från maskinen innan underhåll.

Rengör maskinen hus regelbundet med en mjuk trasa, helst efter varje gång du använder maskinen. Se till att ventilationsöppningarna

är fria från damm och smuts. Ta bort mycket ihållande smuts med en mjuk trasa fuktad med tvållösning. Använd inte lösningsmedel som bensin, alkohol, ammoniak osv. Sådana kemikalier skadar de syntetiska komponenterna.

MILJÖ



Felaktig och/eller kasserad elektrisk eller elektronisk utrustning måste lämnas in på lämpliga återvinningsstationer.

Endast för EU-länder

Kassera inte elverktyg i hushållsavfall. Enligt den europeiska riktlinjen 2012/19/EU om kasserad elektrisk och elektronisk utrustning och dess tillämpning i nationell rätt måste elverktyg som inte längre är användbara samlas in separat och kasseras på ett miljövänligt sätt.

GARANTI

Garantivillkoren finns på separat medföljande garantikort.

Produkten och användarhandboken kan ändras. Specifikationerna kan ändras utan förvarning.

Langaton litiumioniakulla toimiva pora 20V CDM1141P

Kiitämme tämän Ferm-tuotteen hankkimisesta. Olette hankkineet erinomaisen tuotteen, jonka tarjoaa yksi Euroopan johtavista toimittajista. Kaikki Fermin valmistamat tuotteet on valmistettu korkeimpien suorituskykyä ja turvallisuutta koskevien standardien mukaisesti. Osana filosofiaamme tarjoamme myös korkealuokkaisen asiakaspalvelun sekä kaiken kattavan takuun. Toivomme, että nautitte tämän tuotteen käytöstä monien vuosien ajan.

1. TURVALLISUUSOHJEET



Lue tämän ohjekirjan varoitukset, lisäturvallisuusohjeet ja ohjeet. Jos turvallisuusvaroituksia ja ohjeita ei noudateta, seurauksena voi olla sähköisku, tulipalo ja/tai vakava henkilövahinko. **Säilytä turvallisuusvaroitukset ja ohjeet tulevaa käyttöä varten.**

Ohjekirjassa ja tuotteessa käytetään seuraavia merkkejä:



Lue ohjekirja.



Ilmoittaa henkilövahingon, kuoleman tai työkalun vaurioitumisen vaarasta, jos tämän ohjekirjan ohjeita ei noudateta.



Sähköiskun vaara.



Vaihteleva elektroninen nopeus.



Kierto, vasen/oikea.



Ei saa käyttää vesisateessa.



Tarjoitettu vain sisäkäyttöön.



Luokan II kone - Kaksoiseristys - Maadoitettu pistoke ei ole tarpeen.



Maksimilämpötila 40° C.



Akkua ei saa hävittää tuleen.



Akkua ei saa hävittää veteen.



Älä hävitä tuotetta virheellisesti.



Hävitä litiumioniakku erilliskeräykseen.



Pieni sulakeliitäntä aikaviiveellä



Tuote täyttää Euroopan direktiivien soveltuvien turvallisuusstandardien vaatimukset.

Porien ja ruuvivääntimien lisäturvallisuusvaroitukset

Poran turvallisuusvaroitukset

- Käytä kuulonsuojaimia iskuporaamisen aikana.** Melulle altistuminen voi aiheuttaa kuulon heikentymisen.
- Pidä sähkötyökalua eristetyistä pinnoista, kun leikkausväline voi käytön aikana koskettaa piilossa oleviin sähköjohtoihin.** Jos leikkausväline koskettaa jännitteenalaiseen johtoon, virta voi välittyä sähkötyökalun metalliosiin ja sähköiskuvaara on olemassa käyttäjälle.
- Ota hyvä ote työkalusta ennen käyttöä.** Tämä työkalu tuottaa suuren vääntömomentin ja jos siitä ei pidetä kiinni tiukalla otteella käytön aikana, hallinnan menetys voi aiheuttaa henkilövahinkoja.

Pitkien poranterien turvallisuusohjeet

- Älä koskaan ylitä poranterässä ilmoitettua maksiminopeutta.** Suuremmilla nopeuksilla terä voi vääntyä, jos se pyörii vapaasti työkappaleeseen koskematta. Tämä voi johtaa henkilövahinkoihin.
- Aloita poraaminen aina alhaisella nopeudella ja terän ollessa kosketuksissa työkappaleeseen.** Suuremmilla nopeuksilla terä voi vääntyä, jos se pyörii vapaasti

työkappaleeseen koskematta. Tämä voi johtaa henkilövahinkoihin.

- c) **Kohdistu terään painetta ainoastaan suorassa linjassa ja vältä liiallista painetta.** Terät voivat vääntyä ja aiheuttaa murtumisen tai hallinnan menetyksen, mikä voi johtaa henkilövahinkoihin.

Akun turvallisuusvaroitukset

- a) **Älä avaa akkua.** Oikosulkuvaara.
- b) **Suojaa akku lämmöltä (esim. jatkuvalta auringonvalolta), tulelta, vedeltä sekä kosteudelta.** Räjähdyksivaara.
- c) **Jos akku vaurioituu tai sitä käytetään virheellisesti, siitä voi päästä höyryä.** Tuuleta alue ja ota yhteyttä lääkäriin, mikäli valituksia ilmenee. Höyryt voivat aiheuttaa ärsytystä hengitysteihin.
- d) **Käytä akkua ainoastaan Ferm Industrial -tuotteen kanssa.** Täten akku suojataan vaaralliselta ylikuormitukselta.
- e) **Terävät kohteet (esim. naulat tai ruuvimeisselit) tai ulkoiset iskuvoimat voivat vahingoittaa akkua.** Seurauksena voi olla oikosulku ja akku voi palaa, räjähtää tai ylikuumentua tai siitä voi päästä savua.

Laturin turvallisuusvaroitukset

Käyttötarkoitus

Lataa laturilla ainoastaan CDA1132P- ja CDA1133P-mallisia ladattavia akkuja.

Käytä ainoastaan seuraavia Ferm Industrial FI20V -akkualustan akkuja. Muiden akkujen käyttö voi aiheuttaa vakavia henkilövahinkoja tai vaurioittaa laitetta.

CDA1132P	20 V, 2 Ah Litiumioni
CDA1133P	20 V, 4 Ah Litiumioni

Nämä akut voidaan ladata seuraavalla laturilla.
CDA1131P Pikalaturi

Ferm Industrial FI20V -akkualustan akut sopivat kaikkiin Ferm Industrial FI20V -akkualustan työkaluihin.

Jäännösvaarat

Vaikka sähkötyökalua käytettäisiin ohjeiden mukaisesti, kaikkia riskitekijöitä ei voida poistaa. Seuraavat vaarat voivat johtua sähkötyökalun rakenteeseen ja muotoon liittyen:

- a) Tärinästä aiheutuvat terveysvaarat, jos sähkötyökalua käytetään pitkään tai sitä ei hallita tai ylläpidetä oikeaoppisesti.
- b) Henkilö- ja omaisuusvahingot yllättäen rikkoutuvien lisävarusteiden vuoksi.



Varoitus! Tämä sähkötyökalu tuottaa sähkömagneettikenttiä käytön aikana. Kyseinen kenttä voi joskus aiheuttaa häiriötä aktiivisiin ja passiivisiin lääkinnällisiin implanteihin. Vakavan tai kuolemanvaarallisen henkilövahingon välttämiseksi suosittelemme, että lääkinnällisiä implantteja käyttävät henkilöt ottavat yhteyttä lääkäriin ja lääkinnällisen implantin valmistajaan ennen tämän sähkötyökalun käyttöä.

Virtajohtojen vaihto

Jos virtajohto on vaurioitunut, se tulee vaihdattaa valmistajalla, valmistajan huoltopalvelussa tai vastaavalla pätevällä asiantuntijalla vaarojen välttämiseksi.

2. KONEEN TIEDOT

Käyttötarkoitus

Tämä langaton pora on tarkoitettu ruuvien ruuvaamiseen ja irrottamiseen sekä puuhun, metalliin ja muoviin poraamiseen.

Tekniset tiedot

Laite	CDM1141P
Jännite	20 V
Istukan kapasiteetti	1,5-13 mm
Kuormittamaton nopeus	
Asento 1:	0-450/min
Asento 2:	0-1700/min.
Maksimimomentti	50 Nm
Vääntöasetukset	21 + poraustila
Paino (ilman akkua)	1,24 kg
Äänenpainetaso	L_{pA} 92 dB(A), K=3dB(A)
Äänitehotaso	L_{wA} 103 dB(A), K=3dB(A)
Tärinä	2,93 m/s ² K=1,5 m/s ²

Laturi	CDA1131P
Laturin tulo	100-240 VAC 50-60 Hz, 50 W
Laturin lähtö	20 V 2 A
Latausaika 2 Ah akku	60 minuuttia
Latausaika 4 Ah akku	120 minuuttia
Suosittelut akut	CDA1132P, CDA1133P
Paino	0,36 kg

Akku	CDA1132P
Akkutyyppi	Litiumioni
Jännite	20 V
Kapasiteetti	2,0 Ah
Suosittelu laturi	CDA1131P
Paino	0,38 kg

Tärinätaso

Tässä ohjekirjassa annettu tärinätaso on mitattu standardin EN 62841 mukaisen standardisoidun testin mukaisesti. Sen avulla voidaan verrata eri työkaluja ja sitä voidaan käyttää tärinälle altistumisen alustavaan arviointiin, kun työkalua käytetään mainittuihin käyttötarkoituksiin.

- Jos työkalua käytetään eri sovelluksiin tai erillä tai huonokuntoisilla lisävarusteilla, altistumistaso voi olla huomattavasti suurempi.
- Sammutusajat tai käyttämättömät ajat voivat huomattavasti laskea altistumistasoa

Suojaudu tärinän vaikutuksilta ylläpitämällä työkalua ja sen lisävarusteita, pidä kädet lämpiminä ja käytä organisoituja työtoimenpiteitä.

Kuvaus

Tekstin numerot viittaavat sivujen 2-3 kaavioihin.

Kuva A

1. Kone
2. Akku
3. Akun vapautuspainike
4. Akun latauksen merkkivalo
5. Laturi
6. Latauksen LED-merkkivalot
7. Istukka
9. Vaihteen valintakytkin
10. Suuntakytkin
11. Virtakytkin

12. Väännön säätörengas

13. Työvalo

14. Vyökoukku

3. KÄYTTÖ



Akku tulee ladata ennen ensimmäistä käyttökertaa.

Akun poistaminen koneesta

Kuva B

- Pidä koneesta (1) tiukasti yhdellä kädellä.
- Paina akun vapautuspainike (3) toisella kädellä alas akun (2) takaosassa.
- Pidä tätä painiketta (3) alhaalla ja liu'uta akkua taaksepäin koneesta pois, kuvan B mukaisesti.

Akun asentaminen koneeseen

Kuva B



Varmista, että akku on ulkoisesti puhdas ja kuiva ennen sen liittämistä laturiin tai koneeseen.

- Pidä koneesta (1) tiukasti yhdellä kädellä.
- Aseta akku (2) koneen kantaan kuvan B mukaisesti.
- Paina akkua syvemmälle, kunnes se napsahtaa paikoilleen.

Akun lataustason tarkistaminen

Kuva C



Tuotteeseen kuuluva akku toimitetaan osittain ladattuna.

- Tarkista akun lataustila painamalla akun painiketta (4) lyhyesti.
- Akussa on 3 merkkivaloa, jotka osoittavat lataustason. Mitä enemmän merkkivaloja palaa, sitä enemmän akussa on virtaa jäljellä.

Akun lataaminen (laturilla)

Kuva C

- Poista akku (2) koneesta.
- Käännä akku (2) ylösalaisin ja liu'uta se laturiin (5) kuvan C mukaisesti.
- Paina akkua, kunnes se on kokonaan asennusaukossa.
- Liitä laturin pistoke sähköverkkoon ja odota hetki. Laturin LED-merkkivalot (6) syttyvät ja osoittavat laturin tilan.

LED-merkkivalot (6)

Kuva C

Laturissa on kaksi LED-merkkivaloa (6), jotka osoittavat latausprosessin tilan:

Punainen LED-tila:	Vihreä LED-tila:	Laturin tila
Pois	Pois	Ei virtaa
Päällä	Pois	Valmiustila: - Akkua ei ole asetettu paikoilleen, tai - Akku on asennettu, mutta lataus on päätynyt yli 2 tuntia sitten.
Vilkkuva	Vilkkuva	Viallinen akku
Päällä	Vilkkuva	Akun lataus käynnissä
Päällä	Päällä	Akun lataus päätynyt, akku ladattu täyteen
Vilkkuva	Pois	Akkua on liian kuuma, lataus on keskeytetty pitoon. Lataus käynnistyy automaattisesti uudelleen, kun akku on jäähtynyt.

- Akun täyteen lataaminen voi kestää jopa 60 minuuttia.
- Kun akku on ladattu täyteen, poista laturin pistoke sähköverkosta ja irrota akku laturista.
- Akku voidaan varastoida tai asentaa suoraan koneeseen.



Litiumionikennot voidaan varastoida pitkäksi ajaksi heikentämättä huomattavasti niiden lataustasoa. Kun konetta ei käytetä pitkään aikaan, akku kannattaa varastoida ladattuna.

Porien ja ruuvivääntimen terien asentaminen ja poistaminen

Kuva A



Poista akku aina ennen lisävarusteen asentamista.

Poran istukka (7) sopii poran- ja ruuvintieriin, joissa on pyöreä akseli sekä kuusiokoloakseli.

- Pidä koneesta tiukasti yhdellä kädellä.
- Avaava poran istukka (7) kiertämällä istukan laippaa toisella kädellä myötäpäivään, kunnes se on avautunut riittävästi terän paikoilleen asettamiseksi.

- Aseta poran- tai ruuvausterän akseli.
- Kiristä poran istukka uudelleen kiertämällä istukan laippaa vastapäivään.
- Tarkista, onko terä keskitetty hyvin kytkemällä kone lyhyesti päälle virtakytkimellä.

Vaihteiden säätäminen

Kuva A



Älä koskaan vaihda vaihdetta moottorin ollessa käynnissä, muutoin kone vaurioituu.



Älä koskaan aseta kytkintä asentojen keskelle, muutoin kone vaurioituu.

Koneessa on 2 porausnopeutta, jotka voidaan säätää liu'uttamalla vaihdekytkintä (9) eteen- tai taaksepäin. Vaihdekytkimen (9) numero osoittaa valitun asennon.

- Asento 1: Hidasta porausta, suurta porauksen halkaisijaa tai ruuvivääntöä varten. Koneessa on suuri teho alhaisella nopeudella.
- Asento 2: Nopeaa poraamista tai pientä porauksen halkaisijaa varten.

Kiertosuunnan säätäminen

Kuva A

- Aseta suuntakytkin (10) asentoon '←' ruuvien kiertämiseksi tai poraamiseksi.
- Aseta suuntakytkin (10) asentoon '→' ruuvien poistamiseksi.

Koneen päälle ja pois päältä kytkeminen

Kuva A

Kone käynnistetään ja kiertonopeus säädetään virtakytkimellä (11).

- Voit kytkeä koneen päälle painamalla virtakytkintä (11). Mitä syvemmälle kytkintä painetaan, sitä nopeampaa pora pyörii.
- Kone sammuu, kun virtakytkin (11) vapautetaan.
- Käänä suunnan peruutuskytkin (10) keskiasentoon virtakytkimen liikkeen lukitsemiseksi. Tässä asennossa sitä ei voida käyttää.



Aseta kone alas vasta sitten, kun se on pysähtynyt kokonaan. Älä aseta konetta pölyiselle alustalle, sillä pölyhiukkaset voivat päästä mekanismiin.

Väännön säätäminen

Kuva A

Koneessa on eri vääntöasetusta ja erityinen porausstila istukkaan välitetyn tehon asettamiseksi. Ruuvit voidaan kiinnittää esimääritettyyn syvyyteen kiertämällä väännön säätörengasta (12), tämä on suositeltavaa toistuvassa työssä. Mitä suurempi numero, sitä suurempi vääntö.

- Valitse alhainen asetus pienien ruuvien tai pehmeän materiaalin kohdalla.
- Valitse suurempi asetus suurempien ruuvien, kovien materiaalien ja ruuvien poiston aikana.
- Valitse mieluiten mahdollisimman alhainen asetus ruuveja kiinnittäessä. Valitse suurempi asetus, jos moottori liikuu ennen ruuvien kiinnittämistä kokonaan.
- Käännä poraamisessa väännön säätörengas (12) porauksen asetukseen kiertämällä se kokonaan vastapäivään.



Varmista, että suuntakytkin (10) on aina asennossa ← poraamisen aikana.



Koneessa on elektroninen ylikuormitusuoja. Kun kone ylikuormittuu, se sammuu automaattisesti. Kun näin käy, odota vähintään 5 sekuntia, jotta ylikuormitusuoja nollautuu itsestään.

Työvalo (13)

Kuva A

Koneessa on työvalo työalueen valaisemiseksi.

- Se syttyy automaattisesti, kun virtakytkintä painetaan.
- Se sammuu automaattisesti, kun virtakytkin vapautetaan.

Vyökoukku (14)

Kuva A

Koneessa on vyökoukku koneen kiinnittämiseksi vyöhön käytön aikana.



Kytke suuntakytkin (10) aina keskiasentoon, jotta kone ei voisi käynnistyä vahingossa.

- Vyökoukku (14) asennetaan toimituksen yhteydessä koneen vasemmalle puolelle.
- Se voidaan helposti poistaa irrottamalla koukun ruuvi ja poistamalla se.

- Se voidaan asentaa halutessa koneen oikealle puolelle.

Käyttöä koskevat vinkit

Kun ruuvaat ruuveja puuhun, metalliin ja muihin materiaaleihin:

- Tarkista ennen laitteen käyttöä, että poran- tai ruuvausterä on asennettu oikein ja keskitetty poran istukkaan.
- Ruuviteriä on saatavilla eri muotoisina ja kokoisina. Jos epäselvyyksiä esiintyy, kokeile aina, sopiiko terä ilman välystä ruuvipäähän ennen koneen käyttöä.
- Varmista, että kone ei ole käynnissä sen koskettaessa ruuviin. Pyörivä terä voi luisua. Tämä voi johtaa työstökappaleen vaurioitumiseen.

Kun poraat puuta, metallia ja muita materiaaleja:

- Käytä suurta porausnopeutta pienen halkaisijan omaavia poria käyttäessä. Käytä alhaista porausnopeutta suuren halkaisijan omaavia poria käyttäessä.
- Valitse kovien materiaalien kohdalla alhainen porausnopeus ja pehmeiden materiaalien kohdalla suurempi porausnopeus.
- Kiinnitä työstökappale oikeaoppisesti, mieluiten puristimella tai ruuvipuristimella.
- Vedä pora takaisin ja pois reiästä usein, jotta lastut ja pöly poistuisi.

Metalliin poraaminen:

- Käytä metalliporaa (HSS). Jäähdytä terää öljyllä parhaiden tuloksien saavuttamiseksi.
- Metalliterät (HSS) sopivat myös muovin poraamiseen.

4. HUOLTO



Sammuta kone ja irrota akku laitteesta aina ennen puhdistusta ja huoltoa.

Puhdista koneen ulkokuoret säännöllisesti pehmeällä liinalla, mieluiten jokaisen käyttökerran jälkeen. Varmista, että tuuletusaukoissa ei ole pölyä tai likaa. Poista vaikeat tahrat käyttämällä saippuavaahtoon kostutettua pehmeää liinaa. Älä käytä liuottimia, kuten bensiiniä, alkoholia, ammoniakkaa jne. Vastaavat kemikaalit vaurioittavat synteettisiä komponentteja.

YMPÄRISTÖ



Viälliset ja/tai hävitetyt sähkö- ja elektroniset laitteet tulee viedä asianmukaisesti erilliskeräyksiin.

Vain EU-maat

Älä hävitä sähköyökaluja kotitalousjätteen mukana. Sähkö- ja elektroniikkalaitteita koskevan direktiivin 2012/19/EU ja vastaavien kansallisten lakien mukaisesti sähköyökalut tulee hävittää erilliskeräyksessä ja ympäristöystävällisesti niiden käyttöiän päätyttyä.

TAKUU

Takuuehdot löytyvät erillisestä takuukortista.

Tuotteeseen ja ohjekirjaan voidaan tehdä muutoksia. Teknisiin tietoihin voidaan tehdä muutoksia ilmoituksetta.

Trådløs Li-Ion boremaskine 20V CDM1141P

Tak for dit køb af dette Ferm-produkt. Du har hermed tilegnet dig et fremragende produkt, der er leveret af en af Europas førende leverandører. Alle produkter, du modtager fra Ferm, er fremstillet i overensstemmelse med de højeste standarder inden for ydeevne og sikkerhed. Som en del af vores filosofi leverer vi også en fremragende kundeservice, der understøttes af vores omfattende garanti. Vi håber, at du vil få glæde af dette produkt mange år fremover.

1. SIKKERHEDSANVISNINGER



Læs de vedlagte sikkerhedsadvarsler, de yderligere sikkerhedsadvarsler og vejledningen. Hvis

sikkerhedsadvarslerne og vejledningen ikke følges, kan det resultere i elektrisk stød, brand og/eller alvorlige personskader. Gem sikkerhedsadvarslerne og vejledningen til fremtidig brug.

Følgende symboler anvendes i brugervejledningen eller på produktet:



Læs brugervejledningen.



Angiver risiko for personskade, dødsfald eller beskadigelse af værktøjet i tilfælde af manglende overholdelse af anvisningerne i denne vejledning.



Risiko for elektrisk stød



Variabel elektronisk hastighed



Rotation, venstre/højre



Må ikke bruges i regnvejr



Kun til indendørs brug



Klasse II-maskine - Dobbeltisoleret - Du har ikke brug for et jordstik.



Max 40° C

Maks. temperatur 40° C



Kast ikke batteriet ind i åben ild



Kast ikke batteriet ind i vand



Bortskaf ikke produktet i uegnede beholdere.



Separat aflevering af Li-ion batteri.



Tidsforskuet miniature sikringsindsats



Produktet er i overensstemmelse med de gældende sikkerhedsstandarder i EU-direktiverne.

Yderligere sikkerhedsadvarsler for boremaskiner og skruemaskiner

Sikkerhedsadvarsler for bor

- Bær høreværn ved slagboring.** Hvis du udsættes for støj, kan det forårsage høretab.
- Hold fast rundt om el-værktøjet på de isolerede grebflader, når der bliver udført arbejde, hvor skæretilbehøret muligvis kan komme i kontakt med skjulte ledninger.** Hvis skæretilbehør kommer i kontakt med en strømførende ledning, kan det forårsage at el-værktøjets eksponerede metaldele bliver strømførende og udsætter brugeren for elektrisk stød.
- Støt værktøjet korrekt inden brug.** Værktøjet skaber et moment med høj effekt og uden korrekt støtte af værktøjet under betjening kan der forekomme tab af kontrol, hvilket resulterer i personskade.

Sikkerhedsinstruktioner under brug af lange borehoveder

- Betjen aldrig ved højere hastighed end borehovedets maksimale nominelle hastighed.** Ved højere hastigheder kan boret blive bøjet, hvis det roterer frit uden

kontakt med arbejdsemnet, hvilket resulterer i personskade.

- Begynd altid at bore ved lav hastighed og med en borespids i kontakt med arbejdsemnet.** Ved højere hastigheder kan boret blive bøjet, hvis det roterer frit uden kontakt med arbejdsemnet, hvilket resulterer i personskade.
- Påfør kun pres i direkte linje med boret, og påfør ikke for meget pres.** Bor kan blive bøjet og forårsage ødelæggelse eller tab af kontrol, hvilket resulterer i personskade.

Sikkerhedsadvarsler for batteri

- Åbn ikke batteriet.** Fare for kortslutning.
- Beskyt batteriet mod varme, f.eks. mod kontinuerligt intenst sollys, brand, vand og fugt.** Fare for eksplosion.
- I tilfælde af skade og forkert brug af batteriet, kan der blive udsendt dampe. Udluft området, og søg lægehjælp i tilfælde af klager.** Dampene kan irritere åndedrætssystemet.
- Brug kun batteriet sammen med dit Ferm Industrial-produkt.** Denne foranstaltning alene beskytter batteriet mod farlig overbelastning.
- Batteriet kan blive beskadiget af spidse genstande såsom søm eller skruetrækkere eller af eksternt påført kraft.** Der kan opstå en intern kortslutning, og batteriet kan brænde, ryge, eksplodere eller bliver overophedet.

Sikkerhedsadvarsler for oplader Tilsigtet brug

Oplad kun CDA1132P og CDA1133P genopladelig type Batteripakker med opladeren.

Brug kun de følgende batterier af Ferm Industrial FI20V-batteriplatform. Brug af andre batterier kan forårsage personskade eller beskadigelse af værktøjet.

CDA1132P	20V, 2Ah Lithium-Ion
CDA1133P	20V, 4Ah Lithium-Ion

Den følgende oplader kan bruges til at oplade disse batterier.

CDA1131P Hurtig oplader

Batterierne af Ferm Industrial FI20V-batteriplatformen kan udskiftes med alle Ferm Industrial FI20V-batteriplatformsværktøjer.

Residualrisici

Selv når maskinværktøjet anvendes som foreskrevet, kan alle residualrisikofaktorerne ikke elimineres. Følgende farer kan opstå i forbindelse med maskinværktøjets konstruktion og udformning:

- Helbredsdefekter, der forårsages af de udsendte vibrationer, hvis maskinværktøjet bruges gennem en længere periode, eller hvis det ikke styres og vedligeholdes korrekt.
- Personskader og beskadigelse af ejendomme pga. ødelagt tilbehør, der pludselig flyver ud.



Advarsel! Dette maskinværktøj producerer et elektromagnetisk felt under handlingen. Dette felt kan i visse tilfælde virke forstyrrende på aktive eller passive medicinske implantater. Med henblik på at reducere risikoen for alvorlige eller dødelige personskader anbefales det, at personer med medicinske implantater kontakter deres læge og producenten af det medicinske implantat, inden de anvender dette maskinværktøj.

Udskiftning af elledning

Hvis forsyningsledningen er beskadiget, skal den udskiftes af producenten, dens serviceagent eller lignende kvalificerede personer for at undgå farer.

2. MASKINOPLYSNINGER

Tilsløbet brug

Den trådløse boremaskine er beregnet til at fastskruer og løsne skruer samt til at bore i træ, metal og plastik.

Tekniske specifikationer

Maskine	CDM1141P
Spænding	20V
Borepatronskapacitet	1,5-13 mm
Hastighed uden last	
Position 1:	0-450 /min
Position 2:	0-1700 /min
Maks. Moment	50 N.m.
Momentindstillinger	21 + Boretilstand
Vægt (uden batteripakke)	1,24 kg
Lydtryksniveau	L_{pA} 92 dB(A), K=3dB(A)

Lydeffektniveau	L_{WA} 103 dB(A), K=3dB(A)
Vibration	2,93 m/s ² K=1,5 m/s ²

Oplader	CDA1131P
Opladerinput	100-240 VAC 50-60 Hz, 50 W
Opladeroutput	20 V 2 A
Opladningstid 2 Ah batteri	60 minutter
Opladningstid 4 Ah batteri	120 minutter
Anbefalede batterier	CDA1132P, CDA1133P
Vægt	0,36 kg

Batteri	CDA1132P
Batteritype	Lithium-Ion
Spænding	20V
Kapacitet	2,0 Ah
Anbefalet oplader	CDA1131P
Vægt	0,38 kg

Vibrationsniveau

Det udsendte vibrationsniveau, der er angivet i denne brugsvejledning, er blevet målt i overensstemmelse med en standardiseret test i henhold til EN 62841. Den kan bruges til at sammenligne et værktøj med et andet og som en indledende vurdering af eksponering for vibration, når værktøjet bruges til de nævnte anvendelser.

- Når værktøjet bruges til forskellige anvendelser, eller med forskelligt eller dårligt vedligeholdt tilbehør, kan eksponeringsniveauet øges betydeligt.
- De gange, hvor værktøjet er slukket, eller når det er tændt, men ikke bruges til opgaven på det pågældende tidspunkt, kan det reducere eksponeringsniveauet betydeligt.

Beskyt dig mod vibrationseffekterne ved at vedligeholde værktøjet og dets tilbehør, holde dine hænder varme og organisere dine arbejdsmønstre.

Beskrivelse

Tallene i teksten henviser til diagrammerne på side 2-3

Fig. A

1. Maskine
2. Batteri
3. Knap til oplåsning af batteri
4. Indikator for batteriopladning
5. Oplader
6. LED-indikatorer for oplader
7. Borepatron
9. Kontakt til gearvalg
10. Retningskontakt
11. Tænd/sluk-kontakt
12. Momentjusteringsring
13. Arbejdslys
14. Bæltekrog

3. DRIFT



Batteriet skal oplades inden første brug.

Sådan fjernes batteriet fra maskinen

Fig. B

- Hold maskinen (1) fast med den ene hånd
- Hold knappen til oplåsning af batteriet (3) nede, som befinder sig på bagsiden af batteriet (2), med den anden hånd.
- Bliv ved med at holde denne knap (3) nede, og skub batteriet tilbage ud af maskinen, som vist på Fig. B.

Sådan sættes batteriet ind i maskinen

Fig. B



Sørg for, at batteriets yderside er ren og tør, inden du forbinder det til opladeren eller maskinen.

- Hold maskinen (1) fast med den ene hånd
- Sæt batteriet (2) ind i maskinens base, som vist på Fig. B.
- Skub batteriet længere frem, indtil det klikker på plads.

Kontrol af batteriets opladestatus

Fig. C



Det medfølgende batteri leveres delvist opladet.

- Tryk kortvarigt på knappen (4) på batteriet for at kontrollere batteriets opladningsstatus.
- Batteriet har 3 lamper, der angiver opladningsniveauet. Jo flere lamper, der lyser, des mere opladning er der tilbage i batteriet.

Opladning af batteriet (med opladeren)

Fig. C

- Tag batteriet (2) ud af maskinen
- Vend batteriet (2) på hovedet, og skub det ind i opladeren (5), som vist på Fig. C.
- Skub batteriet, indtil det er helt inde i åbningen.
- Sæt opladerstikket i en stikkontakt, og vent et øjeblik. LED-indikatorerne på opladeren (6) lyser og viser opladerens status.

LED-indikatorer (6)

Fig. C

Opladeren har 2 LED-indikatorer (6), som indikerer opladningsprocessens status:

Rød LED-status:	Grøn LED-status:	Opladerstatus
Slukket	Slukket	Ingen strøm
Tændt	Slukket	Standby-tilstand: -Intet batteri isat, eller -Batteri isat, men opladningen blev afsluttet for over 2 timer siden
Blinker	Blinker	Defekt batteri
Tændt	Blinker	Batteriopladning i gang
Tændt	Tændt	Batteriopladning afsluttet, batteri helt opladet
Blinker	Slukket	Batteriet er for varmt, og opladningen er afbrudt midlertidigt. Opladningen starter automatisk, når batteriet er kølet ned.

- Det kan tage op til 60 minutter at lade batteriet helt op.
- Når batteriet er ladet helt op, skal du tage opladerens stik ud af kontakten og fjerne batteriet fra opladeren.
- Batteriet kan opbevares eller sættes direkte i maskinen.



Lithium-Ion celler kan opbevares gennem længere tid, uden at de mister meget af deres opladning. Når maskinen ikke bruges gennem en længere periode, er det bedst at opbevare batteriet i opladet tilstand.

Isætning og fjernelse af boremaskinebor eller skruetrækkerbor

Fig. A



Tag altid batteriet ud, inden du monterer tilbehør.

Borepatronen (7) er velegnet til boremaskinebor og skruetrækkerbor med rund aksel samt med sekskantet aksel.

- Hold maskinen fast med den ene hånd
- Åbn borepatronen (7) ved at dreje borepatronhætten med uret med den anden hånd, indtil den er tilstrækkelig åben til, at et bor kan skubbes ind.
- Isæt boremaskineborets eller skruetrækkerborets aksel
- Stram igen borepatronen ved at rotere borepatronhætten fast mod uret.
- Kontrollér, om boret befinder sig i centrum ved kortvarigt at aktivere maskinens tænd/sluk-kontakt.

Justering af gearene

Fig. A



Skift aldrig gear, mens motoren kører. Dette vil beskadige maskinen.



Stil aldrig kontakten midt imellem begge positioner, da dette vil beskadige maskinen

Maskinen har 2 borehastigheder, som kan justeres ved at skubbe gearkontakten (9) frem eller tilbage. Nummeret på gearkontakten (9) viser hvilken position, der er valgt.

- Position 1: Til langsom boring, stor borediameter eller skruetrækning. Maskinen har en høj effekt ved en lav hastighed.
- Position 2: Til hurtig boring eller lille borediameter

Justering af rotationsretningen

Fig. A

- Stil retningskontakten (10) i positionen '←' for at fastskrue eller for at bruge den til boring.
- Stil retningskontakten (10) i positionen '→' for at fjerne skruer

Sådan tændes og slukkes maskinen

Fig. A

Tænd/sluk-kontakten (11) bruges til at aktivere maskinen og justere rotationshastigheden.

- Når du trykker på tænd/sluk-kontakten (11), aktiveres maskinen. Jo længere kontakten skubbes, des hurtigere drejer boret rundt.
- Når tænd/sluk-kontakten (11) slippes, standser maskinen.
- Flyt kontakten til omvendt retning (10) til midterpositionen for at låse tænd/sluk-kontaktens bevægelse. Den kan ikke aktiveres i denne position.



Læg først maskinen fra dig, når den er standset helt. Læg den ikke på en støvet overflade, da der kan komme støvpartikler ind i mekanismen.

Justering af momentet

Fig. A

Maskinen har forskellige momentindstillinger og en særlig boretilstand for at indstille den effekt, der overføres til borepatronen.

Ved at rotere momentjusteringsringen (12) kan skruer fastskrues til en forudvalgt dybde, hvilket er ideelt til repetitivt arbejde. Jo højere et tal, des større moment overføres.

- Vælg en lav indstilling til små skruer eller blødt arbejdsmateriale.
- Vælg en høj indstilling til store skruer, hårde arbejdsmaterialer, og når der fjernes skruer.
- Du bør helst vælge en så lav indstilling som muligt ved fastskrue. Vælg en højere indstilling, hvis motoren glider, inden skruen er helt strammet.
- Ved boring skal ringen til momentjustering (12) drejes til indstillingen for boring. Dette gøres ved at dreje den helt mod uret.



Sørg for, at retningskontakten (10) altid står på ← under boring.



Maskinen er udstyret med en funktion til beskyttelse mod elektronisk overbelastning. Når maskinen bliver overbelastet, lukker den automatisk ned. Når dette sker, bedes du vente mindst 5 sekunder på, at beskyttelsen mod overbelastning nulstiller sig selv.

Arbejdslys (13)

Fig. A

Maskinen er udstyret med arbejdslys, så arbejdsområdet bliver oplyst.

- Det slås automatisk til, når der trykkes på tænd/sluk-kontakten.
- Det slås automatisk fra, når tænd/sluk-kontakten slippes igen.

Bæltekrog (14)

Fig. A

Maskinen er udstyret med en bæltekrog til at hænge maskinen på dit bælte under brug.



Stil altid retningskontakten (10) i midterpositionen for at undgå utilsigtet start af maskinen.

- Når den leveres, er bæltekrogen (14) monteret på den venstre side af maskinen.
- Du kan nemt fjerne den ved at fjerne skruen på krogen og tage den af.
- Den kan monteres på den højre side af maskinen, når dette foretrækkes.

Brugertips

Når du fastskruer i træ, metal og andre materialer:

- Inden du bruger apparatet, bør du kontrollere, om boret eller skrueboret sidder korrekt fast og i midten af borepatronen.
- Skruebor fås i forskellige former og størrelser. Hvis du er i tvivl, bør du altid prøve, om boret passer til skruehovedet, uden at der er slør, inden du bruger maskinen.
- Sørg for, at maskinen ikke er tændt, når den kommer i kontakt med skruen. Et roterende bor kan glide. Dette kan resultere i beskadigelse af arbejdsstykket.

Når du borer i træ, metal og andre materialer:

- Brug en høj borehastighed ved bor med en lille diameter. Brug en lav borehastighed ved bor med en stor diameter.

- Ved hårde materialer skal du vælge en lav borehastighed, og ved bløde materialer skal du bruge en høj borehastighed.
- Fastgør arbejdsstykket korrekt, helst ved at bruge en klampe eller skruestik.
- Under boringen bør du hyppigt trække boret ud af hullet, så spåner eller borestøv fjernes.

Ved boring i metal:

- Brug et metalbor (HSS). For at opnå de bedste resultater bør du afkøle boret med olie.
- Metalbor (HSS) kan også bruges til at bore i plastik.

4. VEDLIGEHOLDELSE



Før rengøring og vedligeholdelse skal du altid slukke for maskinen og fjerne batteripakken fra maskinen.

Rengør maskinbeklædningerne regelmæssigt med en blød klud, helst efter hver anvendelse. Sørg for, at der ikke er støv eller snavs i ventilationsåbningerne. Fjern snavs, der sidder meget godt fast, med en blød klud, der er fugtet i sæbevand. Brug ikke opløsningsmidler, som f.eks. benzin, sprit, ammoniak osv. Kemikalier som disse beskadiger de syntetiske komponenter.

MILJØ



Defekte og/eller bortskaffede elektriske og elektroniske apparater skal afleveres på en passende genbrugsstation.

Kun for lande i EU

Maskinværktøj må ikke bortskaffes sammen med husholdningsaffald. Ifølge EU-direktiv 2012/19/EU om affald af elektrisk og elektronisk udstyr og dets gennemførelse i den nationale lovgivning skal maskinværktøjer, der ikke længere anvendes, afleveres separat og bortskaffes på en miljøvenlig måde.

GARANTI

Garantibetingelserne findes på det garantikort, der er vedlagt separat.

Produktet og brugervejledningen er genstand for ændringer. Specifikationer kan ændres uden yderligere varsel.

Lítium-ion akkumulátoros fúró 20 V CDM1141P

Köszönjük, hogy Ferm terméket választott. Ezzel egy kiváló termék tulajdonosa lett, Európa egyik vezető szállítójától. Minden Ferm által forgalmazott termék a legszigorúbb teljesítményre és biztonságra vonatkozó szabványok szerint készül. Filozófiánk részeként a nyújtott kiváló vevőszolgálatot teljes körű garanciával is kiegészítjük. Reméljük, termékünket hosszú évekig meglelégedéssel fogja használni.

1. BIZTONSÁGI UTASÍTÁSOK



Olvassa el az összes mellékelt biztonsági figyelmeztetést. A

figyelmeztetések és utasítások be nem tartása áramütéshez, tűz keletkezéséhez vagy akár súlyos személyi sérüléshez vezethet. Órizzze meg a biztonsági figyelmeztetéseket és utasításokat későbbre is.

A használati útmutatóban és a terméken a következő jelölésekkel találkozhat:



Olvassa el a használati útmutatót.



A használati útmutató utasításainak be nem tartása esetén balesetveszély, életveszély vagy a szerszám károsodásának veszélyét jelöli.



Áramütés veszélye



Elektromosan változtatható sebesség



Forgás balra, jobbra



Esőben ne használja



Szabadban nem használható



II érintésvédelmi osztályú gép - Kettős szigetelés: földvezeték nélküli csatlakozó aljzatról is használható.



Max hőmérséklet 40°C



Az akkumulátort tűzbe dobni tilos



Az akkumulátort vízbe dobni tilos



A terméket hulladékként ne tegye arra nem alkalmas konténerbe.



A Lítium-ionos akkumulátort külön kell begyűjteni.



Késleltető miniatűr olvadóbetétt



A termék megfelel az európai irányelvek rá vonatkozó biztonsági követelményeinek.

További biztonsági fúrókhoz és csavarozókhoz

Biztonsági figyelmeztetések fúrókhoz

- Ütvefúrásnál viseljen hallásvédőt.** A magas zajszint halláskárosodást okozhat.
- Az elektromos szerszámot a szigetelt markolási felületein fogja, amikor olyan munkát végez vele, ahol a kötőelem rejtett vezetékét érhet.** Ha a tartozék feszültség alatt levő vezetékhez ér, a szerszám fém részsei feszültség alá kerülnek, és a kezelőt áramütés érheti.
- Használat előtt megfelelően markolja meg a szerszámot.** Ez a szerszám nagy nyomatóköt ad le, és ha munka közben nem markolja eléggé, elvesztheti felette az uralmát, és sérülést szenvedhet.

Biztonsági útmutatások hosszú fúrószárak használatához

- Soha ne működtesse a fúrószárat a maximális névleges fordulatszámánál magasabb fordulatszámon.** Magasabb fordulatszám a fúrószár valószínűleg elhajlik, ha a munkadarab érintése nélkül hagyják szabadon forogni, és személyi sérülést okozhat.
- A fúrást mindig alacsony fordulatszámon kezdje, és a fúrószár érjen hozzá a munkadarabhoz.** Magasabb fordulatszámon a fúrószár valószínűleg elhajlik, ha a munkadarab

érintése nélkül hagyják szabadon forogni, és személyi sérülést okozhat.

- Csak hossztengetyének irányában nyomja a fúrószárat, és túl nagy nyomást ne gyakoroljon rá.** A fúrószár elgörbülhet, amiatt eltörhet, a kezelő elveszitheti a szerszám feletti uralmát, és megsérülhet.

Biztonsági figyelmeztetések az akkumulátorhoz

- Ne bontsa szét az akkumulátort.** Rövidzárlat veszélye.
- Hőbehátástól védje az akkumulátort, pl. ne tegye ki folyamatos erős napsugárzásnak, tűztől, víztől és más nedvességtől is védje.** Robbanásveszély.
- Ha az akkumulátor sérült, vagy rendellenesen használják, gőzök áramolhatnak belőle. Szellőztesse át a munkaterületet, és ha egészségi panaszai vannak, kérjen orvosi segítséget.** A gőzök irritálhatják a légutakat.
- Az akkumulátort csak a Ferm Industrial termékéhez használja.** Ezzel az intézkedéssel veszélyes túlterheléstől védi az akkumulátorát.
- Az akkumulátor megsérülhet, ha a külsőjét hegyes tárgygal (pl. szeggel, csavarhúzóval) vagy erőszakosan manipulálják.** Belső rövidzárlat következhet be, amitől az akkumulátor leég, füstölhet, robbanhat vagy túlmelegedhet.

Biztonsági figyelmeztetések a töltőhöz Rendelgetése

Csak CDA1132P és CDA1133P típusú akkumulátort töltsön akkucsomagok a töltővel.

Ferm Industrial FI20V akkumulátorplatformból csak a következő akkumulátorokat használja. Más akkumulátor használata súlyos sérüléshez és a szerszám károsodásához vezethet.

CDA1132P	20 V, 2 Ah-s lítium-ion
CDA1133P	20 V, 4 Ah-s lítium-ion

Ezek az akkumulátorok az alábbi töltővel tölthetők.

CDA1131P	Gyorstöltő
----------	------------

A Ferm Industrial FI20V platform akkumulátorai csereszabatosak minden Ferm Industrial FI20V akkumulátor platform szerszámaival.

Fennmaradó kockázatok

Vannak olyan kockázati tényezők, amelyeket nem lehet kiküszöbölni, még a villamos kéziszerszám rendeltetészerű használata esetén sem. A villamos kéziszerszám konstrukciójával, kialakításával kapcsolatosan a következő kockázatok léphetnek fel.

- A villamos kéziszerszám hosszabb időn át tartó használata vagy nem megfelelő kezelése és fenntartása esetén a rezgés kibocsátás miatt fellépő egészségkárosodások.
- Baleset, dologi károk a hirtelen elrepülő törött tartozékok miatt.



Figyelem! A villamos kéziszerszám működése elektromágneses mező keltésével jár együtt. Ez a mező bizonyos körülmények között zavarhatja az aktív vagy passzív implantátumokat. Javasoljuk, hogy a súlyos, halálos sérülések kockázatának csökkentése érdekében az implantátummal élő személyek a gép használata előtt kérjék ki orvosuk és a gyógyászati implantátum gyártójának tanácsát.

Csatlakozóvezeték csere

Ha a hálózati csatlakozódugó megsérült, a veszélyhelyzetek elkerülése érdekében ki kell cseréltetni a gyártóval, megbízott szervizzel vagy más, hasonlóan képzett személlyel.

2. GÉP ISMERTETÉSE

Rendeltetése

Az akkus fúró csavarok behajtására, kivételére szolgál, valamint fúrásra fa, fém és műanyag anyagban.

Műszaki adatok

Gép	CDM1141P
Feszültség	20V
Tokmány mérete	1,5-13 mm
Üresjárat fordulatszám	
1. helyzet:	0-450/min
2. helyzet:	0-1700/min
Max. Nyomaték	50 Nm.
Nyomaték beállítások	21 + fúrási mód

Súly (akkucsomag nélkül)	1,24 kg
Hangnyomásszint	L_{pWA} 92 dB(A), K=3dB(A)
Hangteljesítményszint	L_{WA} 103 dB(A), K=3dB(A)
Súlyozott effektív rezgésgyorsulás	2,93 m/s ² K=1,5 m/s ²

Töltő	CDA1131P
Töltő felvett feszültsége	100-240 VAC 50-60 Hz, 50 W
Töltő leadott feszültsége	20V 2A
2 Ah-s akkumulátor töltési ideje	60 perc
4 Ah-s akkumulátor töltési ideje	120 perc
Ajánlott akkumulátorok	CDA1132P, CDA1133P
Súly	0,36 kg

Akkumulátor	CDA1132P
Akkumulátor típusa	Lítium-ion
Feszültség	20V
Kapacitás	2,0 Ah
Javasolt töltő	CDA1131P
Súly	0,38 kg

Rezgés értékek

A használati útmutatóban megadott rezgés kibocsátási értékek mérése az EN 62841 sz. szabvány szerinti egységesített eljárással történt; az értékek használhatók gépek összehasonlítására és a munkavégzés közbeni rezgés terhelés előzetes megbecslésére az adott alkalmazási területen.

- Ha az elektromos kéziszerszámot más területen használják vagy más vagy rossz karban tartott tartozékkal, a rezgés terhelés jelentősen megnövekedhet.
- Azok az időtartamok, amely alatt a gép üresen jár vagy áll, jelentősen csökkenthetik a tényleges terhelést.

Védje magát a rezgés hatásától, tartsa karban a gépet és a tartozékokat, melegítsen be és szervezze meg okosan a munkáját.

Leírás

A szövegbeli számok a 2- 3 oldal képeire utalnak.

A ábra

1. Gép
2. Akkumulátor
3. Akkumulátor kioldó gomb
4. Akkumulátor töltés jelző
5. Töltő
6. Töltés jelző LED-ek
7. Tokmány
9. Sebességváltó kapcsoló
10. Irányváltó kapcsoló
11. Ki-/bekapcsoló
12. Nyomaték beállító gyűrű
13. Üzemi világítás
14. Övkampó

3. MŰKÖDÉS



Az akkumulátort első használat előtt először fel kell tölteni.

Az akkumulátor kivétele a gépből

B ábra

- Tartsa meg erősen a gépet (1) fél kézzel
- Másik kézzel nyomja le az akkumulátor kioldó gombot (3) az akkumulátor hátoldalán (2).
- A gombot (3) nyomva tartva hátrafelé csúsztassa ki az akkumulátort a gépből, ahogy a B ábra mutatja.

Az akkumulátor behelyezése a gépbe

B ábra



A töltőre vagy a gépre csatlakoztatás előtt ellenőrizze, hogy az akkumulátor külseje tiszta és száraz legyen.

- Tartsa meg erősen a gépet (1) fél kézzel
- Tegye az akkumulátort (2) a gép talpába a B ábrán látható módon.
- Kattanásig nyomja az akkumulátort a helyére.

Az akkumulátor töltési állapotának ellenőrzése

C ábra



A mellékelt akkumulátor részlegesen feltöltött állapotú.

- A töltöttségi szint ellenőrzéséhez nyomja meg röviden a gombot (4).
- Az akkumulátor 3 lámpával mutatja a töltési

szintet, minél több világít, annál több töltése van még az akkumulátornak.

Az akkumulátor töltése (a töltővel)

C ábra

- Vegye ki a gépből az akkumulátort (2).
- Fordítsa fejjel lefelé az akkumulátort (2) és csúsztassa a töltőre (5) a C ábrán látható módon.
- Nyomja be egészen az akkumulátort a nyílásba.
- Dugja a töltő dugót villamos aljzatba és várjon. A gépen a LED jelzők (6) világítani kezdenek és jelzik a töltő állapotát.

LED jelzőlámpa (6)

C ábra

A töltőn 2 LED jelzőlámpa (6) van, amelyek mutatják a töltési folyamatot:

Piros LED állapot:	Zöld LED állapot:	Töltés állapot
Nem világít	Nem világít	Nincs áram
Világít	Nem világít	Készletlét mód: -Nincs behelyezve akkumulátor vagy -Van akkumulátor behelyezve, de a töltés már több mint 2 órája befejeződött.
Villog	Villog	Meghibásodott akkumulátor
Világít	Villog	Akkumulátor töltődik
Világít	Világít	Akkumulátor töltése kész, teljesen feltöltődött.
Villog	Nem világít	Az akkumulátor túl meleg, a töltés egyelőre várakozik. A töltés automatikusan folytatódik, miután az akkumulátor lehűt.

- Az akkumulátor teljes feltöltése 60 percet vesz igénybe.
- Az akkumulátor teljes feltöltése után húzza ki a töltődugót az aljzataból és vegye ki az akkumulátort a töltőből.
- Az akkumulátor tárolható vagy közvetlenül behelyezhető a gépbe.



A lítium-ionos cellák sokáig tárolhatók anélkül, hogy sokat veszítenének a töltésükből. Ha a gépet hosszabb ideig nem használják, jobb az akkumulátort töltött állapotban tárolni.

Fúrók, csavarhúzó hegyek felhelyezése, levétele

A ábra



Tartozék felszerelése előtt mindig vegye ki az akkumulátort.

A fúrótokmányba (7) hengeres szárú és hatszögletes szárú fúrók és csavarhúzó hegyek helyezhetők.

- Tartsa erősen a gépet fél kézzel
- Másik kezével a tokmányfeszítő hüvelyt jobbra forgatva nyissa ki a fúrótokmányt (7) hogy a hegy beleférjen.
- Helyezze be a fúrószárat vagy csavarhúzó hegyet
- A tokmányfeszítő hüvelyt balra forgatva szorítsa újra össze a fúrótokmányt.
- A gép be/ki kapcsolójával röviden ellenőrizze, hogy a hegy rendesen központosítva van-e.

Sebesség váltás

A ábra



Soha ne váltson sebességet a motor járása közben, ez kárt tesz a gépben.



A kapcsolót ne vigye két helyzet közötti állapotba, ez kárt tesz a gépben.

A gépnek két fúrési sebessége van, a sebességváltó kapcsoló (9) előre vagy hátra tolásával lehet beállítani. A sebességváltó kapcsolón (9) levő szám mutatja a kiválasztott helyzetet.

- 1. helyzet: Lassú fúrás, nagy átmérőjű fúrás vagy csavar behajtás. A gépnek kis sebességen nagy ereje van
- 2. helyzet: Gyors vagy kis átmérőjű fúrás

A forgásirány beállítása

A ábra

- Fúráskor, csavar behajtáskor az irányváltó kapcsolót (10) állítsa a '←' jelhez.
- Csavar kivételkor az irányváltó kapcsolót (10) állítsa a '→' jelhez.

A gép bekapcsolása, kikapcsolása

A ábra

A be/ki kapcsoló (11) szolgál a gép bekapcsolására és a fordulatszám beállítására.

- A be/ki kapcsoló (11) megnyomásával bekapcsolódik a gép, minél jobban benyomja annál gyorsabban forog a fúró.

- A be/ki kapcsoló (11) elengedésekor a gép kikapcsolódik.
- Az irányváltó kapcsolót (10) a középső helyzetbe téve a be/ki kapcsoló gomb nem tud elmozdulni. Ebben a helyzetben ne lehet bekapcsolni.



Csak akkor tegye le a gépet, ha már teljesen leállt. Ne tegye poros helyre, mert a porrészecskék bekerülhetnek a szerkezetbe.

Nyomaték beállítása

A ábra

A gépen különböző nyomatékbeállítási lehetőség és egy fúrási mód van a tokmányra átvitt erő beállítására.

A nyomatékállító gyűrű (12) forgatásával, a csavarokat előre beállított mélységre lehet behajtani, ami ismétlődő feladatoknál nagyon jól jön. Minél nagyobb a szám, annál nagyobb az erőátvitel.

- Kis csavarokhoz, puha anyagokhoz kis beállítást válasszon.
- Nagy csavarokhoz, kemény anyagokhoz, csavarok kivételéhez nagy beállítást válasszon.
- Csavarok behajtásakor lehetőleg minél kisebb beállítást használjon. Válasszon nagyobb értéket, ha a motor megcsúszik, mielőtt a csavar teljesen meg lenne húzva.
- Fúráskor a nyomatékállító gyűrűt (12) teljesen balra elforgatva állítsa a fúrési helyzetbe.



Fúráskor ellenőrizze, hogy az irányváltó kapcsoló (10) feltétlenül a '←' állásban legyen.



A gépnek van elektromos túlterhelés ellen védő funkciója. A gépet túlterhelés esetén automatikusan lekapcsolja. Ha ez történik, várjon legalább 5 másodpercet, amíg a túlterhelés védelem újra törlődik.

Üzemi világítás (13)

A ábra

A gépen van üzemi világítás, amely megvilágítja a munkaterületet.

- A be/ki kapcsoló gomb megnyomásakor automatikusan bekapcsolódik.
- A be/ki kapcsoló gomb elengedésekor automatikusan kikapcsolódik.

Övtartó (14)

A ábra

A gépen levő övtartóval a gépet az övére akaszthatja használat közben.



A gép véletlen elindításának megakadályozására az irányváltó kapcsolót (10) mindig tegye a középső helyzetbe.

- Az övtartó (14) kiszállításkor a gép bal oldalán van.
- A csavar kivétele után könnyen levehető az övtartó.
- Felszerelhető a gép jobb oldalára is, ha inkább úgy szeretné.

Használati tanácsok

Csavar behajtás fa, fém vagy más anyagba:

- A készülék használata előtt ellenőrizze, hogy a fűrő vagy a hegy rendesen illeszkedik-e a fúrótkmány közepébe.
- A csavarozó hegyek több alakban és méretben léteznek. Ha bizonytalan, a gép használata előtt mindig ellenőrizze, hogy a hegy játék nélkül jól illeszkedik-e a csavarozó fejre.
- Ne forogjon a gép, amikor a csavarhoz ér. A forgó hegy megcsúszhat. Ezzel kárt tehet a munkadarabban.

Fúrás fa, fém vagy más anyagba:

- Kis fúróátmérőnél nagy fordulatszámot használjon. Nagy fúróátmérőnél kis fordulatszámot használjon.
- Kemény anyagokhoz kisebb, puha anyagokhoz nagyobb fúrási sebességet válasszon.
- Rendesen rögzítse a munkadarabot, lehetőleg befogószerkezettel vagy satuval.
- Fúrás közben gyakran húzza vissza a fúrot a furatból, hogy a forgács vagy por kijöjjön.

Fúrás fémbe:

- Fém fúrot használjon (HSS). Legjobb, ha a hegyet olajjal hűti.
- Fém (HSS) fúrot használható műanyag fúrására is.

4. KARBANTARTÁS



Tisztítás és karbantartás előtt mindig kapcsolja ki a gépet és vegye ki belőle az akkumulátort.

A gép vázat rendszeresen, lehetőleg minden használat után törölje át puha ruhával. Ellenőrizze, hogy a szellőzőnyílásokat por, piszok ne tömje el. Makacs szennyeződésekhez használjon szappanos vízzel átitatott ruhát. Oldószert, gázolajat, alkoholt, ammóniát stb ne használjon. Ezek a vegyszerek kárt tesznek a szintetikus részekben.

KÖRNYEZETVÉDELEM



A hibás vagy már feleslegessé vált elektromos, elektronikus készülékeket az ezzel foglalkozó begyűjtő helyeken kell leadni.

Csak EU országokban

Villamos kéziszerszámok nem kerülhetnek a háztartási hulladékba. Az elektromos és elektronikai hulladékokra vonatkozó, 2012/19/EK európai irányelv és annak a nemzeti törvénykezésbe történő átültetése értelmében az elhasználadott elektromos készülékeket külön kell gyűjteni és hulladékot környezetbarát módon kell kezelni.

JÓTÁLLÁS

A jótállási feltételek a mellékelt külön jótállási jegyen találhatók.

A termék és a használati útmutató változtatásának jogát fenntartjuk. A műszaki adatok előzetes bejelentés nélkül változhatnak.

Akumulátorová vrtačka 20V Li-Ion CDM1141P

Děkujeme vám za zakoupení tohoto výrobku značky Ferm. Nyní máte k dispozici vynikající výrobek dodávaný jedním z hlavních evropských dodavatelů. Všechny výrobky dodávané společnostmi Ferm jsou vyráběny podle požadavků nejnáročnějších norem týkajících se výkonu a bezpečnosti. Jako součást naší firemní filozofie poskytujeme také vynikající zákaznický servis, který je podporován naší komplexní zárukou. Doufáme, že vám náš výrobek bude řádně sloužit mnoho let.

1. BEZPEČNOSTNÍ POKYNY



Přečtěte si přiložené bezpečnostní výstrahy, dodatečné bezpečnostní výstrahy a bezpečnostní pokyny.

*Nebudete-li dodržovat tyto bezpečnostní výstrahy a pokyny, může dojít k úrazu elektrickým proudem, k vzniku požáru nebo k způsobení vážného zranění. **Uschovejte tyto bezpečnostní výstrahy a pokyny pro budoucí použití.***

V tomto návodu nebo na výrobku jsou použity následující symboly:



Přečtěte si návod k obsluze.



Upozorňuje na riziko zranění osob, ztráty života nebo poškození nářadí, nebudou-li dodržovány pokyny uvedené v tomto návodu.



Riziko úrazu způsobeného elektrickým proudem



Elektronická regulace otáček



Otáčení, vpřed/vzad



Nepoužívat v dešti



Není určeno pro venkovní použití



Nářadí třídy II - Dvojitá izolace - Není nutné použití uzemňovacího vodiče.



Maximální teplota 40° C



Nevhazujte baterii do ohně



Nevhazujte baterii do vody



Nevyhazujte tento výrobek do nevhodného kontejneru.



Tříděný odpad pro baterie Li-Ion.



Miniaturní pojistka s tepelným jištěním



Tento výrobek je vyroben v souladu s platnými bezpečnostními normami, které jsou uvedeny ve směrnicih EU.

Doplňkové bezpečnostní varování pro vrtačky a šroubováky

Bezpečnostní výstrahy pro vrtačku

- Při příklepovém vtání používejte ochranu sluchu.** *V důsledku hluku může dojít k ztrátě sluchu.*
- Při provádění prací, během kterých se může pracovní příslušenství dostat do kontaktu se skrytou elektroinstalací, držte toto elektrické nářadí za izolované plochy určené pro úchop.** *Pracovní příslušenství, které se dostane do kontaktu s „živým“ elektrickým vodičem, může způsobit, že nechráněné kovové části nářadí budou také „živé“, což by mohlo vést k úrazu obsluhy elektrickým proudem.*
- Před použitím toto nářadí řádně zapřete.** *Toto nářadí vytváří vysoký výstupní moment a bez řádného zapření nářadí během jeho použití provozu může dojít k ztrátě kontroly, která může vést k způsobení zranění osob.*

Bezpečnostní pokyny při použití dlouhých vrtáků

- Nikdy nepoužívejte vyšší otáčky, než jsou maximální jmenovité otáčky vrtáku.** *Při vyšších otáčkách se pracovní nástroj pravděpodobně ohne, nechá-li se volně otáčet bez kontaktu s obrobkem, což může vést k způsobení zranění osob.*

- b) **Vždy zahajte vrtání s nízkými otáčkami a tak, aby byla špička vrtáku v kontaktu s obrobkem.** Při vyšších otáčkách se pracovní nástroj pravděpodobně ohne, nechá-li se volně otáčet bez kontaktu s obrobkem, což může vést k způsobení zranění osob.
- c) **Vyvíjejte tlak pouze v ose vrtáku a nevyvíjejte na toto nářadí nadměrný tlak.** Vrtáky se mohou ohnout, což může způsobit jejich zlomení nebo ztrátu kontroly nad nářadím, což může vést k způsobení zranění osob.

Bezpečnostní varování pro baterii

- a) **Neotevírejte baterii.** Nebezpečí zkratu.
- b) **Chraňte baterii před teplem, např. před nepřetržitým intenzivním slunečním světlem, ohněm, vodou a vlhkostí.** Nebezpečí výbuchu.
- c) **V případě poškození a nesprávného použití baterie se mohou uvolňovat výpary. V případě potíží vyvětrejte místnost a vyhledejte lékařskou pomoc.** Výpary mohou dráždit dýchací ústrojí.
- d) **Používejte baterii pouze ve spojení s vaším produktem Ferm Industrial.** Toto opatření samo o sobě chrání baterii před nebezpečným přetížením.
- e) **Baterie může být poškozena ostrými předměty, jako například hřebíky nebo šroubováky, nebo externí silou.** Může dojít k vnitřnímu zkratu a vznícení, vzniku kouře, výbuchu nebo přehřátí baterie.

Bezpečnostní varování pro nabíječku Určené použití

Tuto nabíječku používejte pouze pro nabíjení dobíjecích akumulátorů typu CDA1132P a CDA1133P.

Používejte pouze následující baterie z platformy baterií Ferm Industrial FI20V. Použití jakýchkoli jiných baterií může způsobit vážné zranění nebo poškodit nářadí.

CDA1132P	20 V, 2 Ah Lithium-iontová
CDA1133P	20 V, 4 Ah Lithium-iontová

Pro nabíjení těchto baterií lze použít následující nabíječku.

CDA1131P	Rychlá nabíječka
----------	------------------

Baterie z platformy baterií Ferm Industrial FI20V jsou zaměnitelné u veškerého nářadí platformy Ferm Industrial FI20V.

Zbytková rizika

Přestože je elektrické nářadí používáno podle předepsaných pokynů, všechna zbytková rizika nemohou být vyloučena. V souvislosti s konstrukcí a designem elektrického nářadí se mohou objevit následující rizika:

- a) Zdravotní postižení vyplývající z vibrací, je-li elektrické nářadí používáno dlouhodobě nebo není-li odpovídajícím způsobem ovládáno a není-li správně prováděna jeho údržba.
- b) Zranění a hmotné škody v důsledku poškození pracovního příslušenství, které je náhle odmrštěno.



Varování! Toto elektrické nářadí vytváří během použití elektromagnetické pole. Toto pole může za určitých okolností způsobit problémy, pokud jde o aktivní nebo pasivní lékařské implantáty. Chcete-li snížit riziko vážného nebo smrtelného úrazu, doporučujeme osobám s lékařskými implantáty, aby před použitím tohoto nářadí provedli konzultaci se svým lékařem a s výrobcem zdravotního implantátu.

Výměna napájecího kabelu

Dojde-li k poškození napájecího kabelu, musí být vyměněn výrobcem, jeho autorizovaným servisem nebo osobou s příslušnou kvalifikací, aby bylo zabráněno možným rizikům.

2. INFORMACE O NÁŘADÍ

Určené použití

Tato akumulátorová vrtačka je určena pro utahování a povolování šroubů a také pro vrtání do dřeva, kovu a plastu.

Technické údaje

Stroj	GDM1141P
Napětí	20 V
Kapacita sklíčidla	1,5-13 mm
Otáčky naprázdno	
Poloha 1:	0 - 450/min
Poloha 2:	0 - 1700/min
Max. krouticí moment	50 N. m.
Nastavení momentu	21 poloh + režim vrtání
Hmotnost (bez akumulátoru)	1,24 kg

Úroveň akustického tlaku	L_{pA} 92 dB(A), K=3dB(A)
Úroveň akustického výkonu	L_{wA} 103 dB(A), K=3dB(A)
Vibrace	2,93 m/s ² K=1,5 m/s ²

Nabíječka	CDA1131P
Vstup nabíječky	100–240 VAC, 50–60 Hz, 50 W
Výstup nabíječky	20 V, 2 A
Doba nabíjení 2Ah baterie	60 minut
Doba nabíjení 4Ah baterie	120 minut
Doporučené baterie	CDA1132P, CDA1133P
Hmotnost	0,36 kg

Baterie	CDA1132P
Typ baterie	Lithium-iontová
Napětí	20 V
Kapacita	2,0 Ah
Doporučená nabíječka	CDA1131P
Hmotnost	0,38 kg

Vibrace

Deklarovaná úroveň vibrací uvedená v tomto návodu byla měřena v souladu se standardní zkušební metodou předepsanou normou EN 62841. Tato úroveň vibrací může být použita pro srovnání jednotlivých nářadí mezi sebou a také při předběžném posouzení působících vibrací při používání nářadí při uvedených aplikacích.

- Použití tohoto nářadí pro jiné aplikace nebo s odlišným nebo špatně udržovaným příslušenstvím může značně zvýšit působení vibrací.
- Doba, kdy je nářadí vypnuto nebo kdy je v chodu, ale aktuálně nevykonává žádnou práci, může působení vibrací značně zkrátit.

Chraňte se před působením vibrací prováděním řádné údržby tohoto nářadí i jeho příslušenství, udržujte ruce v teple a provádějte práci správným způsobem.

Popis

Čísla v následujícím textu odkazují na obrázky na stranách 2- 3

Obr. A

1. Nářadí
2. Baterie
3. Tlačítko pro uvolnění baterie
4. Indikace stavu nabití baterie
5. Nabíječka
6. LED indikátory nabíječky
7. Sklíčidlo
9. Přepínač pro volbu převodů
10. Přepínač chodu vpřed/vzad
11. Spínač zapnuto/vypnuto
12. Kroužek pro nastavení momentu
13. Pracovní svítilna
14. Příchytka na řemen

3. POUŽITÍ



Před prvním použitím musí být baterie nabitá.

Vyjmutí baterie z nářadí

Obr. B

- Jednou rukou pevně uchopte nářadí (1).
- Druhou rukou stlačte dolů uvolňovací tlačítko baterie (3), které se nachází na zadní části baterie (2).
- Tlačte toto tlačítko (3) stále dolů a vysunujte baterii dolů z nářadí, jak je zobrazeno na obr. B.

Vložení baterie do nářadí

Obr. B



Před vložením do nabíječky nebo do nářadí zajistěte, aby byl povrch baterie čistý a suchý.

- Jednou rukou pevně uchopte nářadí (1).
- Zasuňte baterii (2) do rukojeti nářadí, jak je zobrazeno na obr. B.
- Zatlačte baterii až do dorazové polohy tak, aby byla řádně zajištěna.

Kontrola stavu nabití baterie

Obr. C



Přiložená baterie je dodávána v částečně nabitém stavu.

- Chcete-li zkontrolovat stav nabití baterie, krátce stiskněte tlačítko (4) na baterii.
- K dispozici jsou 3 kontrolky indikující stav nabití baterie, čím více kontrolky svítí, tím více je baterie nabitá.

Nabíjení baterie (pomocí nabíječky)

Obr. C

- Vyjměte baterii (2) z nářadí.
- Obráťte baterii (2) spodní stranou nahoru a zasuňte ji do nabíječky (5), jak je zobrazeno na obr. C.
- Stlačte baterii zcela dolů, aby došlo k jejímu řádnému usazení v nabíječce.
- Připojte zástrčku kabelu nabíječky k síťové zásuvce a chvíli počkejte. LED indikátory na nabíječce (6) se rozsvítí a zobrazí aktuální stav nabití baterie.

LED indikátory (6)

Obr. C

Tato nabíječka je vybavena 2 LED indikátory (6), které indikují stav procesu nabíjení:

Stav červené LED:	Stav zelené LED:	Stav nabíječky
Nesvítí	Nesvítí	Žádné napájení
Svítí	Nesvítí	Pohotovostní režim: - Není vložena žádná baterie nebo - Baterie je vložena, ale nabíjení bylo ukončeno více než před 2 hodinami
Bliká	Bliká	Poškozená baterie
Svítí	Bliká	Probíhající nabíjení baterie
Svítí	Svítí	Nabíjení baterie ukončeno, baterie je zcela nabitá
Bliká	Nesvítí	Baterie je příliš horká, proces nabíjení je pozastaven. Nabíjení bude zahájeno automaticky, jakmile dojde k vychladnutí baterie.

- Úplné nabití baterie může trvat až 60 minut.
- Jakmile bude baterie zcela nabitá, odpojte zástrčku kabelu nabíječky od zásuvky a vyjměte baterii z nabíječky.
- Baterie může být uložena nebo může být přímo vložena do nářadí.



Baterie Li-Ion mohou být uloženy dlouhou dobu, aniž by došlo k poklesu jejich nabití. Nebude-li toto nářadí používáno delší dobu, zajistěte, aby byla baterie před uložením nabitá.

Vložení nebo vyjmutí vrtáků nebo šroubovacích nástavců

Obr. A



Před montáží příslušenství vždy vyjměte baterii z nářadí.

Skličidlo vrtačky (7) je vhodné pro vrtáky a šroubovací nástavce se standardní kulatou i se šestihrannou upínací stopkou.

- Jednou rukou pevně uchopte nářadí.
- Druhou rukou otáčejte objímkou skličidla ve směru pohybu hodinových ručiček, dokud nedojde k dostatečnému otevření skličidla (7), které umožní upnutí nástroje.
- Zasuňte do skličidla upínací stopku vrtáku nebo šroubovacího nástavce.
- Znovu řádně utáhněte skličidlo vrtačky otáčením objímky skličidla proti směru pohybu hodinových ručiček.
- Na chvíli spusťte nářadí krátkým stisknutím spínače zapnuto/vypnuto, abyste zkontrolovali vystředění pracovního nástroje.

Nastavení převodů

Obr. A



Nikdy neměňte převodové stupně, je-li motor v chodu, protože by došlo k poškození nářadí.



Nikdy nenastavujte přepínač pro volbu převodů doprostřed mezi obě polohy, protože by došlo k poškození nářadí.

Toto nářadí má k dispozici 2 převodové stupně pro vrtání, které mohou být nastaveny přesunutím přepínače pro volbu převodů (9) směrem dopředu nebo dozadu. Číslo na přepínači pro volbu převodů (9) zobrazuje, jaká poloha je zvolena.

- Poloha 1: Pro pomalé vrtání, pro velké průměry vrtáků nebo pro šroubování. Nářadí má velký výkon a nízké otáčky.
- Poloha 2: Pro rychlé vrtání nebo pro malé průměry vrtáků.

Nastavení směru otáčení

Obr. A

- Nastavte přepínač chodu vpřed/vzad (10) do polohy „←“, aby mohlo být prováděno utahování šroubů a vrutů nebo vrtání.
- Nastavte přepínač chodu vpřed/vzad (10) do polohy „→“, aby mohlo být prováděno povolování šroubů a vrutů.

Zapnutí a vypnutí nářadí

Obr. A

Spínač zapnuto/vypnuto (11) je používán pro zapnutí nářadí a pro nastavení otáček.

- Stisknutím spínače zapnuto/vypnuto (11) způsobí zapnutí nářadí. Čím více tento spínač stisknete, tím vyšší budou otáčky nářadí.
- Uvolněním spínače zapnuto/vypnuto (11) dojde k vypnutí nářadí.
- Nastavením přepínače chodu vpřed/vzad (10) do střední polohy dojde k zablokování funkce spínače zapnuto/vypnuto. V této poloze nemůže být spínač zapnuto/vypnuto aktivován.



Odkládejte toto nářadí pouze v případě, je-li zcela zastaveno. Nepokládejte toto nářadí na prašný povrch, protože by se do mechanismu nářadí mohl dostat prach.

Nastavení momentu

Obr. A

Toto nářadí má k dispozici polohy pro nastavení momentu a speciální režim pro vrtání pro nastavení výkonu přenášeného na sklíčidlo.

Po otočení kroužku pro nastavení momentu (12) do požadované polohy mohou být šrouby nebo vruty zašroubovány do přednastavené hloubky, což je ideální pro opakovaně prováděné práce. Čím vyšší je číslo, tím vyšší je hodnota momentu.

- Při použití malých vrutů nebo při práci s měkkým materiálem použijte nižší hodnoty momentu.
- Při použití velkých vrutů nebo tvrdého materiálu a při povolování šroubů použijte vysoké hodnoty momentu.
- Při utahování šroubů byste měli používat nastavení co nejvyšší hodnoty momentu. Začne-li motor nářadí prokluzovat ještě před úplným utažením šroubu, zvolte nastavení vyšší hodnoty momentu.
- Při vrtání otočte kroužek pro nastavení

momentu (12) proti směru pohybu hodinových ručiček až do koncové polohy určené pro vrtání.



Provádíte-li vrtání, ujistěte se, zda je přepínač chodu vpřed/vzad (10) vždy nastaven do polohy ←.



Toto nářadí je vybaveno funkcí elektronické ochrany proti přetížení. Jakmile dojde k přetížení tohoto nářadí, nářadí se automaticky vypne. Dojde-li k takové situaci, počkejte prosím minimálně 5 sekund, aby došlo k automatickému resetování funkce ochrany proti přetížení.

Pracovní svítilna (13)

Obr. A

Toto nářadí je vybaveno pracovní svítilnou, která osvětluje pracovní prostor.

- Tato svítilna se automaticky rozsvítí při stisknutí spínače zapnuto/vypnuto.
- Tato svítilna automaticky zhasne, jakmile dojde k uvolnění spínače zapnuto/vypnuto.

Přichytka na řemen (14)

Obr. A

Toto nářadí je opatřeno přichytkou na řemen, která během práce umožňuje zavěšení nářadí na řemen.



Vždy nastavte přepínač chodu vpřed/vzad (10) do středové polohy, abyste zabránili náhodnému spuštění nářadí.

- Při dodání je přichytka na řemen (14) připravena k levé části nářadí.
- Přichytka může být snadno sejmuta po odšroubování upevňovací šroubu přichytky.
- Tato přichytka může být dle přání uživatele upevněna i na pravé části nářadí.

Rady pro uživatele

Při šroubování šroubů a vrutů do dřeva, kovu a jiných materiálů:

- Před použitím tohoto nářadí zkontrolujte, je-li vrták nebo šroubovací nástavec ve sklíčidle řádně upevněn a vystředěn.
- Šroubovací nástavce jsou k dispozici v několika různých tvarech a rozměrech. Nejste-li si zcela jisti, před použitím nářadí vždy vyzkoušejte,

zda může být šroubovací nástavec bez vůle řádně vložen do šroubovací hlavy.

- Zajistěte, aby nářadí nebylo v chodu, je-li v kontaktu s hlavou šroubu. Otáčející se šroubovací nástavec může prokluzovat. Tímto způsobem by mohlo dojít k poškození obrobku.

Při vrtání do dřeva, kovu a jiných materiálů:

- Při použití vrtáků s malými průměry používejte vysoké otáčky vrtačky. Při použití vrtáků s velkými průměry používejte nízké otáčky vrtačky.
- Při práci s tvrdými materiály zvolte nízké otáčky vrtačky a při práci s měkkými materiály používejte vysoké otáčky.
- Pevně si upněte obrobek a použijte upínací svorky nebo svěrák.
- Během vrtání vytahujte vrták často z vrtaného otvoru, aby došlo k odstranění odvrtného materiálu a prachu.

Při vrtání do kovu:

- Používejte vrtáky do kovu (HSS). Chcete-li dosáhnout co nejlepších výsledků, chlaďte vrták olejem.
- Vrtáky do kovu z rychlořezné oceli (HSS) mohou být také použity pro vrtání do plastu.

4. ÚDRŽBA



Před čištěním a prováděním údržby nářadí vždy vypněte a vyjměte baterii z nářadí.

Pravidelně čistěte kryt nářadí měkkým hadříkem, pokud možno po každém použití. Ujistěte se, zda nejsou větrací otvory zaneseny prachem nebo jinými nečistotami. Odolnější nečistoty odstraňte pomocí měkkého hadříku navlhčeného v mýdlové pěně. Nepoužívejte žádná rozpouštědla, jako jsou benzín, líh, čpavek atd. Takové chemické látky mohou způsobit poškození dílů z umělé hmoty.

OCHRANA ŽIVOTNÍHO PROSTŘEDÍ



Poškozená a likvidovaná elektrická nebo elektronická zařízení musí být odevzdána ve sběrných dvorech, které jsou určeny pro tento účel.

Pouze pro země EU

Nevyhazujte elektrická nářadí do běžného domácího odpadu. Podle evropské směrnice 2012/19/EU týkající se likvidace elektrických a elektronických zařízení a její implementace do vnitrostátního práva, musí být nepoužívaná elektrická nářadí shromažďována odděleně a jejich likvidace musí být provedena tak, aby nedošlo k ohrožení životního prostředí.

ZÁRUKA

Záruční podmínky můžete nalézt na přiloženém záručním listě.

Na tomto výrobku a v tomto návodu mohou být prováděny změny. Technické údaje mohou být změněny bez předchozího upozornění.

Bezdrôtová lítium-iónová vŕtačka 20 V CDM1141P

Ďakujeme vám, že ste si zakúpili produkt značky Ferm. Získali ste tým špičkový produkt od jedného z popredných európskych dodávateľov. Všetky produkty, ktoré vám boli dodané spoločnosťou Ferm sa vyrábajú podľa najvyšších štandardov výkonu a bezpečnosti. V rámci našej podnikovej filozofie poskytujeme aj špičkové zákaznícke služby v kombinácii s komplexnou zárukou. Dúfame, že náš produkt vám bude dobre slúžiť ešte mnoho rokov.

1. BEZPEČNOSTNÉ POKYNY



Prečítajte si priložené bezpečnostné varovania, doplnkové bezpečnostné varovania a pokyny. Nedodržovanie

bezpečnostných varovaní a pokynov môže mať za následok zásah elektrickým prúdom, vznik požiaru a/alebo vážnu ujmu na zdraví. Všetky bezpečnostné varovania a pokyny si odložte na budúce použitie.

V používateľskej príručke alebo priamo na produkte nájdete nasledujúce symboly:



Prečítajte si používateľskú príručku.



Vypovedá o riziku ujmy na zdraví, usmrtenia a poškodenia náradia v prípade nedodržovania pokynov v tejto príručke.



Riziko zásahu elektrickým prúdom



Elektronicky nastaviteľné otáčky



Otáčanie doľava/doprava



Nepoužívajte v daždi



Len na použitie v interiéri



Zariadenie triedy II – dvojitá izolácia – nevyžaduje si uzemnenú zástrčku.



Max 40°C

Max. teplota 40°C



Batériu nevhadzujte do ohňa



Batériu nevhadzujte do vody



Produkt nelikvidujte v nevhodných kontajneroch.



Li-Ion

Separovaný zber pre lítium-iónovú batériu.



T2.0A

Miniatúrne poistkové prepojenie s časovým oneskorením



Produkt je v súlade s platnými bezpečnostnými štandardmi obsiahnutými v európskych smerniciach.

Dodatočné bezpečnostné varovania Pre vŕtačky a ťahovačky

Bezpečnostné varovania pre vŕtačky

- Pri príklepovom vŕtaní majte nasadenú ochranu sluchu.** Nadmerná hlučnosť môže spôsobiť stratu sluchu.
- Pri úkonoch, kedy rezné príslušenstvo môže prísť do kontaktu so skrytou kabelážou, držte elektrické náradie za izolované úchopné povrchy.** Rezné príslušenstvo v kontakte s káblom pod napätím môže spôsobiť, že odhalené kovové časti elektrického náradia budú taktiež pod napätím, v dôsledku čoho by mohlo dôjsť k zásahu obsluhy elektrickým prúdom.
- Pred použitím nástroj náležite podoprite.** Tento nástroj vytvára vysoký výstupný krútiaci moment a bez správneho podopretia nástroja počas prevádzky sa môže vyskytnúť strata kontroly, čo by mohlo spôsobiť fyzické zranenie.

Bezpečnostné pokyny pri používaní dlhých vŕtákov

- Nikdy nevrťajte pri vyššej rýchlosti, ako je maximálna rýchlosť uvedená na vŕtáku.** Pri vyšších rýchlostiach je pravdepodobnosť, že sa vŕták ohne, ak sa môže voľne otáčať bez kontaktu s obrobkom, čo spôsobí fyzické zranenie.

- b) **Vždy začnite vrtáť pri nízkej rýchlosti a so špičkou vrtáka v kontakte s obrobkom.** Pri vyšších rýchlostiach je pravdepodobnosť, že sa vrták ohne, ak sa môže voľne otáčať bez kontaktu s obrobkom, čo spôsobí fyzické zranenie.
- c) **Prítlačte len v priamej rovine s vrtákom a nevyvíjajte nadmerný tlak.** Vrtáky sa môžu ohnúť, čo spôsobí zlomenie alebo stratu kontroly a následné fyzické zranenie.

Bezpečnostné varovania pre batériu

- a) **Batériu neotvárajte.** Nebezpečenstvo skratu.
- b) **Batériu chráňte pred teplom, napr. pred nepretržitým intenzívnym slnečným svetlom, požiarom, vodou a vlhkosťou.** Nebezpečenstvo výbuchu.
- c) **V prípade poškodenia a nevhodného používania batérie sa môžu vytvárať výpary. V prípade problémov vyvetrajte oblasť a vyhľadajte zdravotnícku pomoc.** Výpary môžu podráždiť dýchací systém.
- d) **Batériu používajte výlučne v spojení s vaším priemyselným produktom značky Ferm.** Len toto samotné opatrenie chráni batériu pred nebezpečným preťažením.
- e) **Batériu môžu poškodiť ostré objekty, ako napríklad klince alebo skrutkovače, prípadne externe vyvíjaná sila.** Môže vzniknúť vnútorný skrat a batéria môže zhorieť, dymiť, vybuchnúť alebo sa prehriať.

Bezpečnostné varovania pre nabíjačku

Cieľové použitie

Pomocou nabíjačky nabíjajte výlučne nabíjateľné akumulátorové batérie typu CDA1132P a CDA1133P.

Používajte len nasledujúce batérie z priemyselnej platformy batérií FI20V značky Ferm. Používanie akýchkoľvek iných batérií môže spôsobiť vážne zranenie alebo poškodenie nástroja.
CDA1132P 20 V, 2 Ah lítium-iónová
CDA1133P 20 V, 4 Ah lítium-iónová

Na nabíjanie týchto batérií sa môže použiť nasledujúca nabíjačka.
Rýchlonabíjačka CDA1131P

Batérie priemyselnej platformy batérií FI20V značky Ferm sú vzájomne zameniteľné so všetkými nástrojmi priemyselnej platformy batérií FI20V značky Ferm.

Reziduálne riziká

Ani v prípade, ak sa elektrické náradie používa podľa pokynov, nie je možné eliminovať všetky zvyškové rizikové faktory. Nasledujúce nebezpečenstvá môžu vyvstať vzhľadom na konštrukciu a dizajn elektrického náradia:

- a) Zdravotné defekty vyvstávajúce z vibračných emisií elektrického náradia hrozia v prípade, ak sa náradie používa počas dlhých časových období alebo sa správne nespravuje a nepodrobuje údržbe.
- b) Ublíženie na zdraví a škody na majetku môžu byť spôsobené vymrštenými kusmi zlomeného príslušenstva.



Varovanie! Toto elektrické náradie počas prevádzky vytvára elektromagnetické pole. Toto pole môže za istých okolností rušiť aktívne alebo pasívne lekárske implantáty. V záujme zníženia rizika vážnych a smrteľných zranení odporúčame sa osobám s lekáskymi implantátmi pred zahájením používania náradia poradiť s ošetroujúcim lekárom.

Výmena napájacieho kábla

Ak dôjde k poškodeniu napájacieho kábla, vymeniť ho môže len výrobca, jeho servisný zástupca alebo podobne kvalifikovaná osoba, aby nedošlo k ublíženiu na zdraví.

2. INFORMÁCIE O ZARIADENÍ

Cieľové použitie

Táto bezdrôtová vrtáčka je určená na skrutkovanie a povoľovanie skrutiek, ako aj vrtanie do dreva, kovu a plastov.

Technické špecifikácie

Zariadenie	CDM1141P
Napätie	20 V
Kapacita skľučovadla	1,5 - 13 mm
Otáčky bez záťaž	
Poloha 1:	0 – 450/min
Poloha 2:	0 – 1700/min
Max. krútiaci moment	50 Nm
Nastavenia krútiaceho momentu	21 + režim vrtania
Hmotnosť (bez akumulátorovej batérie)	1,24 kg

Akustická úroveň tlaku	L_{pA} 92 dB(A), K=3dB(A)
Úroveň akustického výkonu	L_{WA} 103 dB(A), K=3dB(A)
Vibrácie	2,93 m/s ² K = 1,5 m/s ²

Nabíjačka	CDA1131P
Vstup nabíjačky	100-240 VAC 50-60 Hz, 50 W
Výstup nabíjačky	20 V 2 A
Čas nabíjania 2 Ah batérie	60 minút
Čas nabíjania 4 Ah batérie	120 minút
Odporúčané batérie	CDA1132P, CDA1133P
Hmotnosť	0,36 kg

Batéria	CDA1132P
Typ batérie	Lítium-iónová
Napätie	20 V
Kapacita	2,0 Ah
Odporúčaná nabíjačka	CDA1131P
Hmotnosť	0,38 kg

Hladina vibrácií

Hladina vibračných emisií uvádzaná v tejto používateľskej príručke bola nameraná podľa štandardizovaného testu definovaného v štandarde EN 62841; môže sa použiť na porovnanie jedného náradia s druhým a ako predbežné hodnotenie vibrácií pri používaní náradia na uvádzané účely

- Používanie náradia na rôzne účely alebo s rôznym či nevhodne udržiavaným príslušenstvom môže výrazne zvýšiť hladinu expozície.
- Obdobia, keď je náradie vypnuté alebo sa prevádzkuje na voľnobeh (bez pracovného výkonu), môžu výrazne znížiť hladinu expozície

Pred účinkami vibrácií sa chráňte údržbou náradia a príslušenstva, udržiavaním rúk v teple a vhodnou organizáciou pracovných postupov.

Popis

Čísla uvedené v texte sa odvolávajú na diagramy na stranách 2 – 3

Obr. A

1. Zariadenie
2. Batéria
3. Tlačidlo uvoľnenia batérie
4. Signalizácia nabíjania batérie
5. Nabíjačka
6. Indikátory LED nabíjačky
7. Skľučovadlo
9. Spínač výberu prevodu
10. Prepínač smeru
11. Spínač Zap./Vyp.
12. Krúžok na nastavenie krútiaceho momentu
13. Pracovné svetlo
14. Háčik na opasok

3. PREVÁDZKA



Batéria sa pred prvým použitím musí nabiť.

Vybratie batérie zo zariadenia

Obr. B

- Zariadenie (1) pevne uchopíte jednou rukou.
- Druhou rukou stlačíte tlačidlo na uvoľnenie batérie (3) na zadnej strane batérie (2).
- Tlačidlo (3) držte stlačené a batériu vytiahnite von zo zariadenia podľa znázornenia na obr. B.

Vloženie batérie do zariadenia

Obr. B



Pred pripojením k nabíjačke alebo vložení do zariadenia skontrolujte, či je exteriér batérie čistý a suchý.

- Zariadenie (1) pevne uchopíte jednou rukou.
- Batériu (2) vložte do základne zariadenia podľa znázornenia na obr. B.
- Batériu tlačte ďalej dopredu, kým nezapadne na miesto.

Kontrola stavu nabitia batérie

Obr. C



Obsiahnutá batéria sa dodáva v čiastočne nabitom stave.

- Ak chcete skontrolovať stav nabitia batérie, nakrátko stlačte tlačidlo (4) na batérii.

- Batéria má 3 svetlá signalizujúce úroveň nabitia, pričom čím viac ich svieti, tým viac je batéria nabitá.

Nabíjanie batérie (s nabíjačkou)

Obr. C

- Batériu (2) vyberte zo zariadenia
- Batériu (2) otočte hore nohami a zasuňte ju do nabíjačky (5) podľa znázornenia na obr. C.
- Batériu tlačte, kým ju celkom nezatlačíte do priečinka.
- Zástrčku nabíjačky pripojte k elektrickej zásuvke a chvíľu počkajte. Indikátory LED na nabíjačke (6) sa rozsvietia a zobrazia stav nabíjania.

Indikátory LED (6)

Obr. C

Nabíjačka je vybavená 2 indikátormi LED (6), ktoré signalizujú stav procesu nabíjania:

Červená kontrolka LED:	Zelený stav LED:	Stav nabíjačky
Vyp.	Vyp.	Bez napájania
Zap.	Vyp.	Pohotovostný režim: - Nie je vložená batéria alebo - Batéria je vložená, ale nabíjanie sa dokončilo už pred viac ako 2 hodinami
Bliká	Bliká	Chybná batéria
Zap.	Bliká	Nabíjanie batérie prebieha
Zap.	Zap.	Nabíjanie batérie sa dokončilo, batéria je úplne nabitá
Bliká	Vyp.	Batéria je príliš horúca, priebeh nabíjania bol pozastavený. Nabíjanie sa zahájí automaticky po tom, ako batéria vychladne.

- Úplné nabitie batérie môže trvať max. 60 minút.
- Keď batériu úplne nabijete, odpojte konektor nabíjačky zo zásuvky a batériu vyberte z nabíjačky.
- Batériu môžete uschovať alebo priamo nainštalovať do zariadenia.



Lítium-iónové články je množné uchovávať dlhodobo bez toho, aby stratili svoju kapacitu nabitia. Keď sa zariadenie dlhší čas nebude používať, najlepšie je batériu uskladniť v nabitom stave.

Nasádzanie a vyberanie vrtákov alebo násad skrutkovača

Obr. A



Pred osádzaním príslušenstva vždy vyberte batériu.

Skľučovadlo vrtákov (7) je vhodné na vrtáky a násady skrutkovača s okrúhlym hriadeľom, ako aj šesťhranným hriadeľom.

- Zariadenie pevne uchopíte jednou rukou.
- Otvorte skľučovadlo vrtákov (7) otáčaním objímky skľučovadla druhou rukou v smere hodinových ručičiek, kým nebude natoľko roztvorené, aby bolo možné zasunúť násadu.
- Zasuňte hriadeľ vrtáka alebo násadu skrutkovača
- Znovu zatiahnite skľučovadlo vrtáka pevným otáčaním objímky skľučovadla proti smeru hodinových ručičiek.
- Krátkym aktivovaním spínača zap./vyp. na zariadení skontrolujte, či je násada správne vycentrovaná.

Nastavenie prevodov

Obr. A



Nikdy neprepínajte prevody, kým je motor v prevádzke, pretože v opačnom prípade poškodíte zariadenie.



Spínač nikdy nenastavujte do stredy medzi dvomi polohami, pretože tým poškodíte svoje zariadenie.

Zariadenie ponúka 2 rýchlosti vrtania, ktoré je možné nastaviť posunutím prepínača prevodov (9) dopredu alebo dozadu. Číslo na prepínači prevodov (9) znázorňuje, ktorá poloha je zvolená.

- Poloha 1: Použite pri pomalom vrtaní, veľkom priemere vrtania alebo skrutkovaní. Zariadenie dosahuje vysoký výkon pri nízkych otáčkach.
- Poloha 2: Na rýchle vrtanie alebo vrtanie malých priemerov.

Nastavenie smeru otáčania

Obr. A

- Prepínač smeru (10) uveďte do polohy „←“ , ak chcete skrutkovať skrutky, prípadne zariadenie použiť na vrtanie.
- Prepínač smeru (10) uveďte do polohy „→“ , ak chcete povoľovať skrutky.

Zapnutie a vypnutie zariadenia

Obr. A

Spínač Zap./Vyp. (11) slúži na aktivovanie zariadenia a nastavenie rýchlosti otáčania.

- Spínač zap./vyp. (11) aktivuje zariadenie, pričom čím ďalej sa spínač potlačí, tým rýchlejšie sa bude vrták otáčať.
- Uvoľnením spínača Zap./Vyp. (11) zastavte zariadenie.
- Posunutím reverzného spínača (10) do stredovej polohy zablokujete pohyb spínača Zap./Vyp. V tejto polohe sa nedá aktivovať.



Zariadenie položte až vtedy, keď sa úplne zastaví. Nekladte ho na prašný podklad, pretože prachové častice by sa mohli dostať do vnútra mechanizmu.

Nastavenie krútiaceho momentu

Obr. A

Zariadenie disponuje rôznymi nastaveniami krútiaceho momentu a špeciálnym režimom vrtania na nastavenie výkonu prenášaného na skľučovadlo.

Otáčaním krúžka na nastavenie krútiaceho momentu (12) je možné skrutky zaskrutkovať na prednastavenú hĺbku, čo je ideálne pri opakujúcich sa pracovných úkonoch. Čím vyššie je číslo, tým vyšší krútiaci moment sa bude prenášať.

- V prípade malých skrutiek alebo mäkkého pracovného materiálu zvolte nízke nastavenie.
- V prípade veľkých skrutiek, pevných pracovných materiálov a odstraňovaní skrutiek zvolte vysoké nastavenie.
- Pri skrutkovaní je podľa možnosti potrebné zvolit' čo najnižšie nastavenie. Ak motor prešmykuje pred úplným zatiahnutím skrutky, zvolte vyššie nastavenie.
- V prípade vrtania otočte krúžok na nastavenie krútiaceho momentu (12) na nastavenie pre vrtanie úplným otočením proti smeru hodinových ručičiek.



Uistite sa, že pri vrtaní je smerový spínač (10) vždy nastavený do polohy ←.



Zariadenie je vybavené elektronickou funkciou ochrany proti preťaženiu. Keď dôjde k preťaženiu zariadenia, automaticky sa vypne. Keď sa tak stane, počkajte aspoň 5 sekúnd na automatický reset ochrany proti preťaženiu.

Pracovné svetlo (13)

Obr. A

Zariadenie je vybavené pracovným svetlom na osvetlenie pracovného miesta.

- Automaticky sa zapne pri stlačení spínača Zap./Vyp.
- Automaticky sa vypne pri opakovanom uvoľnení spínača Zap./Vyp.

Háčik na opasok (14)

Obr. A

Zariadenie je vybavené háčikom na opasok na zavesenie zariadenia na opasok počas používania.



Smerový spínač (10) vždy prepnite do stredovej polohy, aby nemohlo dôjsť k neúmyselnému spusteniu zariadenia.

- Pri dodaní je háčik na opasok (14) upevnený na ľavej strane zariadenia.
- Odstránením skrutky na háčiku sa háčik dá poľahky zložiť.
- V prípade potreby je ho možné upevniť na pravú stranu zariadenia.

Tipy pre používateľa

Pri skrutkovaní skrutiek do dreva, kovu a iných materiálov:

- Pred použitím spotrebiča skontrolujte, či je vrták alebo skrutková násada riadne osadená a vycentrovaná vo vnútri skľučovadla.
- Skrutkové násady sú dostupné v rôznych tvaroch a rozmeroch. Keď si nie ste istý, pred použitím zariadenia skontrolujte, či vrták pasuje na hlavicu skrutky bez vôle.
- Uistite sa, že zariadenie nie je v prevádzke, keď dochádza ku kontaktu so skrutkou. Otáčajúca sa násada môže prešmykovať. Mohlo by to spôsobiť poškodenie obrobku.

Pri vrtaní do dreva, kovu a iných materiálov:

- V prípade vrtákov s malým priemerom používajte vysokú rýchlosť vrtania. V prípade vrtákov s veľkým priemerom používajte nízku rýchlosť vrtania.
- V prípade tvrdých materiálov zvolte nízku rýchlosť vrtania; v prípade mäkkých materiálov vyberte vysokú rýchlosť vrtania.
- Obrobok správne upevnite, podľa možnosti pomocou svorky alebo zveráka.
- Počas vrtania vrták pravidelne vyťahujte von z otvoru, aby odrezky a piliny mohli vyjsť von.

Pri vrtaní do kovu:

- Používajte vrták na vrtanie do kovu (HSS). Na dosiahnutie najlepších výsledkov by ste mali chlaďiť vrták v oleji.
- Vrtáky na vrtanie do kovu (HSS) je možné použiť aj na vrtanie do plastov.

4. ÚDRŽBA



Pred čistením a údržbou vždy vypnite zariadenie a zo zariadenia vyberte akumulátor.

Puzdro zariadenia vyčistite jemnou tkaninou, podľa možnosti po každom použití. Uistite sa, že vetracie otvory neobsahujú prach a nečistoty. Odolné nečistoty odstráňte jemnou tkaninou navlhčenou v mydlovej vode. Nepoužívajte rozpúšťadlá ako benzín, alkohol, amoniak a pod. Takéto chemické látky poškodia syntetické komponenty.

ŽIVOTNÉ PROSTREDIE



Chybné alebo vyradené elektrické či elektronické zariadenia musia byť zberané v príslušných recyklačných zberniach.

Len pre krajiny ES

Elektrické náradie nelikvidujte ako súčasť komunálneho odpadu. Podľa Európskej smernice 2012/19/EÚ o vyradených elektrických a elektronických zariadeniach a jej implementácie do národného práva sa elektrické náradie, ktoré je viac nepoužiteľné, musí zberať ako separovaný odpad a likvidovať ekologickým spôsobom.

ZÁRUKA

Záručné podmienky nájdete v samostatne priloženom záručnom liste.

Produkt a používateľská príručka podliehajú zmenám. Špecifikácie sa môžu zmeniť bez predchádzajúceho upozornenia.

Akumulatorski litijev-ionski vrtalnik 20 V CDM1141P

Hvala za nakup tega izdelka Ferm. Z nakupom ste dobili odličen izdelek, ki ga dobavlja eden vodilnih prodajalcev v Evropi. Vsi izdelki, ki jih dobavlja Ferm so izdelani v skladu z najvišjimi standardi lastnosti in varnosti. Kot del svoje filozofije zagotavljamo tudi odličen servis, ki je zavarovan z našo obsežno garancijo. Upamo, da boste zadovoljni s kupljenim še mnoga leta.

1. VARNOSTNA NAVODILA



Skrbno preberite varnostna opozorila, dodatna varnostna opozorila in navodila. Če ne upoštevate spodaj

navedenih varnostnih opozoril in napotkov, lahko to privede do električnega šoka, požara in/ali hudih telesnih poškodb. **Vsa varnostna opozorila in navodila shranite za poznejšo uporabo.**

V navodilih za uporabo ali na izdelku so naslednji simboli:



Preberite navodila za uporabo.



Označuje tveganje telesnih poškodb, izgubo življenja ali poškodovanje orodja, če ne upoštevate navodil v teh navodilih za uporabo.



Nevarnost električnega šoka



Elektronsko spreminjanje hitrosti



Vrtenje levo/desno



Ne uporabljajte v dežju



Le za uporabo v notranjih prostorih



Orodje razreda II - dvojna izolacija - ne potrebujete ozemljenega vtiča.



Najv temperatura 40 stopinj C



Baterije ne odvrzite v ogenj



Baterije ne odvrzite v vodo



Izdelka ne odvrzite v neprimerne zabojnike.



Ločeno zbiranje za litijevih-ionskih baterij.



Vložek inertne mini varovalke



Ta izdelek je skladen z veljavnimi varnostnimi standardi, ki so v evropskih direktivah.

Dodatna varnostna opozorila Za vrtalnike in vijačnike

Varnostna opozorila za vrtalnike

- Pri udarnem vrtenju uporabljajte zaščito za sluh.** Izpostavljenost hrupu lahko povzroči izgubo sluha.
- Ko opravljate dela, kjer se lahko rezilo dotakne skrite napeljave, vedno držite električno orodje za izolirano površino.** Dotik rezalnega orodja s kablom, ki je pod napetostjo, bo povzročilo, da bodo vsi metalni deli orodja pod napetostjo in posledično električni šok upravljavcu.
- Pred uporabo temeljito pritrdite orodje.** Ta izdelek ustvarja visoki izhodni navor in brez pravilne pritrditve med delovanjem orodja lahko pride do izgube nadzora, to pa lahko povzroči telesne poškodbe.

Varnostna navodila, ko uporabljate dolge vrtalne nastavke

- Nikoli ne delajte z večjo hitrostjo, kot je največja nazivna hitrost vrtalnega nastavka.** Pri večji hitrosti se bo vijačni nastavek najverjetneje zvil, če se bo vrtel prostor brez stika z obdelovancev in posledica so lahko telesne poškodbe.
- Vedno začnite vrtati z nizko hitrostjo in tako, da bo konica vijačnega nastavka v stiku z obdelovancem.** Pri večji hitrosti se bo

vijačni nastavek najverjetneje zvil, če se bo vrтел prostor brez stika z obdelovancev in posledica so lahko telesne poškodbe.

- c) **Na orodje pritisajte le v ravni liniji z vijačnim nastavkom in ne pritisajte premočno.** Vijačni nastavki se lahko zvijejo in zlomijo ali povzročijo izgubo nadzora - posledica pa so telesne poškodbe.

Varnostna opozorila za baterijo

- a) **Ne odpirajte baterije.** Nevarnost kratkega stika.
- b) **Baterijo zaščitite proti vročini, npr. intenzivnim sončnim žarkom, ognju, vodi in vlagi.** Nevarnost eksplozije.
- c) **V primeru poškodb in nepravilne uporabe baterije, lahko uhajajo hlapi. Prezračite območje, in če imate težave, poiščite zdravniško pomoč.** Hlapi lahko dražijo dihalni sistem.
- d) **Baterije uporabite le v povezavi s svojim industrijskim izdelkom Ferm.** Če samo ta mera zaščiti baterijo prodi nevarni preobremenitvi.
- e) **Baterija se lahko poškoduje s koničastimi predmeti, kot so žebliji, vijaki ali uporabljeno zunanjo silo.** Pride lahko do kratkega stika v notranjosti in baterija se lahko vžge, eksplozira ali pregreje.

Varnostna opozorila za polnilnik

Predvidena uporaba

S polnilnikom polnite le vrsti polnilnih paketov baterij CDA1132P in CDA1133P.

Uporabljajte le naslednje baterije platforme za baterije Ferm Industrial FI20 V. Uporaba drugih baterij lahko povzroči hude telesne poškodbe ali poškoduje orodje.

Litijeva-ionska CDA1132P 20 V, 2 Ah

Litijeva-ionska CDA1133P 20 V, 4 Ah

Za polnjenje baterij lahko uporabljate naslednji polnilnik.

Hitri polnilnik CDA1131P

Baterije platforme baterij Ferm Industrial FI20 V so izmenljive z vsemi orodji s platformo baterij Ferm Industrial FI20 V.

Ostala tveganja

Tudi, če električno orodje uporabljate kot je predpisano, ni mogoče izključiti ostalih dejavnikov tveganja. V zvezi s konstrukcijo in obliko lahko električno orodje povzroči naslednje nevarnosti:

- a) Škoda za zdravje, ki nastane zaradi treslajev, če orodje uporabljate dalj časa, ga neustrezno uporabljate, in pomanjkljivo vzdržujete.
- b) Telesne poškodbe in gromotna škoda zaradi polomljene opreme, ki je izvržena nenadoma.



Opozorilo! To električno orodje ustvarja med delovanjem elektromagnetno polje. To polje lahko v določenih okoliščinah vpliva na aktivne ali pasivne medicinske vsadke. Za zmanjšanje nevarnosti hudih ali smrtnih poškodb priporočamo osebam z medicinskimi vsadki, da se pred začetkom dela posvetujejo s svojim zdravnikom in proizvajalcem medicinskih vsadkov.

Zamenjava električnega kabla

Za preprečevanje nevarnosti lahko poškodovan električni kabel zamenja izključno proizvajalec, njegov pooblaščen serveriser ali ustrezno usposobljen strokovnjak.

2. INFORMACIJE O IZDELKU

Predvidena uporaba

Ta akumulatorski vrtnalnik je namenjen za privijanje in odvijanje vijakov ter vrtnanje v les, kovino in plastiko.

Tehnični podatki

Orodje	CDM1141P
Napetost	20 V
Velikost vpenjalne glave	1,5-13 mm
Hitrost v prostem teku	
Položaj 1:	0-450/min
Položaj 2:	0-1700/min
Največji navor	50 Nm
Nastavitev navora	21 + način vrtnanja
Teža (brez paketa baterije)	1,24 kg
Raven zvočnega tlaka	L_{PA} 92 dB(A), K=3dB(A)
Raven zvočne moči	L_{WA} 103 dB(A), K=3dB(A)
Treslajji	2,93 m/s ² , K=1,5 m/s ²

Polnilnik	CDA1131P
Vhod polnilnika	100-240 V AC 50-60 Hz, 50 W
Izhod polnilnika	20 V 2 A
Čas polnjenja baterije 2 Ah	60 minut
Čas polnjenja baterije 4 Ah	120 minut
Priporočene baterije	CDA1132P, CDA1133P
Teža	0,36 kg

Baterija	CDA1132P
Vrsta baterije:	litijeva-ionska
Napetost	20 V
Zmogljivost	2,0 Ah
Priporočeni polnilnik	CDA1131P
Teža	0,38 kg

Raven tresljajev

Raven tresljajev, navedena v teh navodilih za uporabo, je bila izmerjena v skladu s standardiziranim testom, navedenim v EN 62841; lahko se uporablja za primerjavo enega orodja z drugim in kot predhodna ocena izpostavljenosti tresljajem, če uporabljate orodje za navedena dela.

- Uporaba orodja za druga dela ali z drugo opremo oz. slabo vzdrževanim orodjem lahko občutno poveča raven izpostavljenosti.
- Časi, ko je orodje izklopljeno, ali, če deluje, a ga ne uporabljate za delo, lahko občutno zmanjša raven izpostavljenosti.

Zaščitite se proti učinkom tresljaje z rednim vzdrževanjem orodja in opreme, tako, da so vaše roke vedno tople in z organizacijo delovnih vzorcev.

Opis

Številke v besedilih se nanašajo na diagrame na straneh 2-3

SI. A

1. Orodje
2. Baterija
3. Gumb za odpahnitev baterije
4. Raven napolnjenosti baterije
5. Polnilnik
6. Lučka LED polnilnika
7. Vpenjalna glava
9. Stikalo za izbiro stopnje

10. Smerno stikalo
11. Stikalo za vklop/izklop
12. Obroč za nastavitve navora
13. Delovna lučka
14. Pripionka za pas

3. DELOVANJE



Baterijo je treba napolniti pred prvo uporabo.

Odstranitev baterije iz orodja

SI. B

- Orodje (1) držite trdno z eno roko
- Z drugo roko potisnite navzdol gumb za odpahnitev baterije (3), ki je na hrbtni strani baterije (2).
- Ta gumb (3) potiskajte navzdol in potisnite baterijo ven iz orodja, kot je prikazano na sl. B.

Vstavljanje baterije v orodje

SI. B



Pred priklopom na polnilnik ali orodje se prepričajte, ali je zunanost baterije čista in suha.

- Orodje (1) držite trdno z eno roko
- Baterijo (2) vstavite v podstavek orodja, kot je prikazano na sl. B.
- Baterijo potisnite do konca, dokler ne slišite klika.

Preverjanje napolnjenosti baterije

SI. C



Priložena baterija je dobavljena delno napolnjena.

- Za preverjanje napolnjenosti baterije pritisnite na kratko gumb (4) na bateriji.
- Baterija ima 3 lučke, ki označujejo napolnjenost, več lučk sveti, bolj je baterija napolnjena.

Polnjenje baterije (s polnilnikom)

SI. C

- Baterijo (2) odstranite iz orodja
- Baterijo (2) obrnite na glavo in jo potisnite v polnilnik (5), kot je prikazano na sl. C.
- Baterijo potiskajte, dokler ni potisnjena do konca v režo.

- Vtič polnilnika vtaknite v električno vtičnico in nekoliko počakajte. Lučke LED na polnilniku (6) bodo zasvetile in pokazale stanje polnilnika.

Lučke LED (6)

SI. C

Polnilnik ima 2 LED lučki stanja (6), ki označujeta stanje polnjenja:

Rdeči LED stanje:	Zeleni LED stanje:	Stanje polnilnika
Izklopljen	Izklopljen	Ni napajanja
Vklopljen	Izklopljen	V stanju pripravljenosti: - nobena baterija ni vstavljena, ali - baterija je vstavljena, a polnjenje se je končalo pred več kot 2 urama
Utripanje	Utripanje	Pokvarjena baterija
Vklopljen	Utripanje	Baterija se polni
Vklopljen	Vklopljen	Polnjenje baterije je končano, baterija je popolnoma napolnjena
Utripanje	Izklopljen	Baterija je prevroča, polnjenje je prekinjeno. Polnjenje se bo nadaljevalo samodejno, ko se bo baterija ohladila.

- do polne napolnjenosti baterije lahko traja do 60 minut;
- ko je baterija popolnoma napolnjena, izklopite vtič polnilnika iz vtičnice in odstranite baterijo in polnilnika;
- baterijo lahko shranite, ali jo neposredno vstavite v orodje.



Litijeve-ionske celice lahko shranite za dalj časa in ob tem ne izgubijo veliko svoje napolnjenosti. Če orodja ne boste uporabljali dalj časa je najbolje, da shranite baterij napolnjene.

Namestitev in odstranitev svedra ali nastavka za vijačenje

SI. A



Pred montažo opreme vedno odstranite baterijo.

Vpenjalna glava vrtnika (7) je primerna za svedre in vijačne nastavke z okroglim ali šestrobnim stebлом.

- Orodje držite trdno z eno roko
- Vpenjalno glavo vrtnika (7) odprite z obračanjem obroča z drugo roko v smeri gibanja urinega kazalca, dokler ni odprta toliko, da lahko vstavite nastavek.
- Vstavite steblo svedra ali vijačnega nastavka
- Vpenjalno glavo znova zategnite tako, da obračate obroč vpenjalne glave v nasprotni smeri gibanja urinega kazalca.
- Ali je nastavek nameščen na sredini preverite tako, da na kratko aktivirate orodje s stikalom vklop/izklop.

Nastavljanje stopenj

SI. A



Ko deluje motor, nikoli ne preklaplajte stikala menjalnika, to bi poškodovalo orodje.



Nikoli ne preklopite stikala v sredino, med oba položaja, to bi poškodovalo orodje.

Orodje ima 2 hitrosti vrtnja, nastavite ju lahko tako, da potisnete stikalo menjalnika (9) naprej ali nazaj. Število na stikalu menjalnika (9) kaže izbrani položaj.

- Položaj 1: za počasno vrtnje, vrtnje velikih premerov ali vijačenje. Orodje ima veliko moč pri nizki hitrosti.
- Položaj 2: za hitro vrtnje ali vrtnje malih premerov.

Nastavitev smeri vrtnja.

SI. A

- Stikalo za smer (10) preklopite na položaj “←”, da bi privijali vijake ali jo uporabili za vrtnje.
- Stikalo za izbiro smeri (10) nastavite na položaj “→”, da bi odstranili vijake

Vklop in izklop orodja

SI. A

Stikalo vklop/izklop (11) se uporablja za aktiviranje orodja in nastavljanje hitrosti obratov.

- S pritiskom na stikalo vklop/izklop (11) boste aktivirali orodje, dalj časa boste pritiskali stikalo, hitreje bi se vrтел sveder.
- Če spustite stikalo za vklop/izklop (11) boste ustavili orodje.
- Stikalo za obračanje smeri (10) premaknite na

sredinski položaj, da bi zapahnilli premikanje stikala vklop/izklop. V tem položaju ga ni mogoče aktivirati.



Orodje odložite šele, ko se je popolnoma ustavilo. Ne odlagajte ga na prašne površine, ker lahko prašni delci vdrejo v orodje.

Nastavitev navora

SI. A

Orodje ima različne nastavitve navora in posebni način vrtnanja, da bi nastavili moč, ki se prenaša na vpenjalno glavo.

Z obračanjem obročka za nastavitev navora (12) lahko privijate vijake na predhodno določeno globino, to pa je idealno za ponavljajoče se delo. Večje je število, večji navor se bo prenesel.

- Nižjo nastavitev izberite za majhne vijake ali mehke materiale.
- Višjo nastavitev izberite za dolge vijake, trde materiale, ali, ko odstranjujete vijake.
- Med privijanjem vijakov izberite čim nižjo nastavitev. Višjo nastavitev izberite, če motor drsi, še preden je vijak privit do konca.
- Za vrtnanje obrnite obroček za nastavitev navora (12) na nastavitev za vrtnanje tako, da ga obrnete do konca b nasprotno smeri gibanja urinega kazalca.



Med vrtnanjem zagotovite, da bo stikalo za vrtnanje (10) vedno nastavljeno na ←.



Orodje ima funkcijo elektronske zaščite proti preobremenitvi. Ko se orodje preobremeni, se bo samodejno izklopilo. Če se zgodi to, počakajte najmanj 5 sekund in omogočite, da se zaščita proti preobremenitvi ponastavi sama.

Delovna lučka (13)

SI. A

Orodje ima delovno lučko za osvetlitev delovnega območja.

- Vklopi se samodejno, ko pritisnete stikalo vklop/izklop.
- Izklopi se samodejno, ko znova spustite stikalo vklop/izklop.

Priponka za pas (14)

SI. A

Orodje ima priponko za pas, da lahko med uporabo obesite orodje za pas.



Vedno preklopite stikalo za smer delovanja (10) na srednji položaj, da bi preprečili nehoteni zagon orodja.

- Ob dobavi je priponka za pas (14) nameščena na levi strani orodja.
- Zlahka jo lahko odstranite tako, da odvijete vijak na priponki in jo snamete.
- Po želji jo lahko namestite jo lahko na desno stran orodja.

Nasveti za uporabnika

Ko privijate vijake v les, kovino in druge materiale:

- pred uporabo orodja preverite, dali sta sveder oz. vijačni nastavek nameščena pravilno in na sredino vpenjalne glave orodja;
- vijačni nastavki so na voljo v različnih oblikah in merah; če niste prepričani, vedno poskusite pred uporabo orodja, ali se nastavek prilega vijaku brez zračnosti;
- ob stiku z vijakom se prepričajte, ali orodje miruje; vrteči se nastavek lahko zdrsnje; to pa lahko poškoduje obdelovanec.

Med vrtnanjem v les, kovino in druge materiale:

- pri svedrih malih premerov uporabite veliko hitrost vrtnanja;
- za svedre z večjimi premeri uporabite nizko hitrost vrtnanja;
- za trde materiale izberite nizko hitrost vrtnanja, za mehke materiale izberite veliko hitrost vrtnanja;
- obdelovanec pritrdite pravilno, uporabite sponko ali primež;
- med vrtnanjem umaknite pogosto sveder iz luknje tako, da lahko odstranite iveri ali prah.

Med vrtnanjem v kovino:

- uporabite svedre za kovino (HSS). Za boljše rezultate hladite nastavek z oljem.
- kovinske (HSS) svedre lahko uporabite tudi za vrtnanje v plastiko.

4. VZDRŽEVANJE



Pred čiščenjem in vzdrževanjem, vedno ugasnite orodje in odstranite paket baterij iz orodja.

Ohišje orodja redno čistite z mehko krpo, najbolje je, da jo uporabite po vsaki uporabi. Zagotovite, da bodo prezračevalne odprtine brez prahu in umazanije. Trdovratno umazanijo odstranite z mehko krpo, namočeno v milnici. Ne uporabljajte topil, kot so bencin, alkohol, amonijak itd. Te vrste kemikalij bodo poškodovale sintetične sestavne dele.

OKOLJE



Pokvarjene in/ali nedelujoče električne ali elektronske aparate je treba oddati na primernih mestih za recikliranje.

Le za države EU

Električnega orodja ne odvrzite med gospodinske odpadke. V skladu s smernico EU 2012/19/EU za odpadno električno in elektronsko opremo in njeni uveljavitvi v nacionalno pravo je treba električno orodje, ki se ne uporablja več, zbirati ločeno in ga odstraniti med odpadke na okolju prijazen način.

GARANCIJA

Garancijske pogoje lahko najdete na ločeni priloženi garancijski kartici.

Izdelek in navodila za uporabo se lahko spreminjajo. Specifikacije se lahko spremenijo brez predhodnega obvestila.

Wiertarko-wkrętarka akumulatorowa litowo-jonowa 20V CDM1141P

Dziękujemy za zakup tego produktu Ferm. Nabyliście Państwo doskonały produkt, dostarczany przez jednego z wiodących dostawców w Europie. Wszystkie produkty dostarczane Państwu przez Ferm są wytwarzane zgodnie z najwyższymi standardami wydajności i bezpieczeństwa. W ramach naszej filozofii zapewniamy również doskonałą obsługę klienta, wspartą wszechstronną gwarancją. Mamy nadzieję, że będziecie Państwo z przyjemnością korzystali z tego produktu przez wiele lat.

1. INSTRUKCJĘ DOTYCZĄCE BEZPIECZEŃSTWA



Przeczytać dołączone ostrzeżenia dotyczące bezpieczeństwa, dodatkowe ostrzeżenia dotyczące bezpieczeństwa oraz instrukcję.

Nieprzestrzeganie ostrzeżeń dotyczących bezpieczeństwa oraz instrukcji może prowadzić do porażenia prądem, pożaru i/lub poważnych obrażeń ciała. Zachować ostrzeżenia dotyczące bezpieczeństwa oraz instrukcje na przyszłość.

Następujące symbole są umieszczone w instrukcji obsługi lub na produkcie:



Przeczytać instrukcję obsługi.



Oznacza ryzyko obrażeń ciała, śmierci lub uszkodzenia narzędzia w razie nieprzestrzegania poleceń z instrukcji.



Ryzyko porażenia prądem



Zmienna prędkość elektroniczna



Obroty, w lewo/prawo



Nie używać w deszczu



Tylko do użytku w pomieszczeniach



Maszyna klasy II - Podwójna izolacja - Nie trzeba stosować wtyczek z uziemieniem.



Maks. temperatura 40° C



Nie wrzucać akumulatora do ognia



Nie wrzucać akumulatora do wody



Nie wyrzucać produktu do nieodpowiednich pojemników.



Zbiórka selektywna akumulatora litowo-jonowego.



Miniaturowy topik z opóźnieniem czasowym



Produkt spełnia wymogi odpowiednich norm bezpieczeństwa podanych w dyrektywach UE.

Dodatkowe ostrzeżenia dotyczące bezpieczeństwa dla wiertarek i wkrętarek

Ostrzeżenia dotyczące wiertarki

- Nosić ochronniki słuchu podczas wiercenia udarowego. Ekspozycja na hałas może powodować utratę słuchu.
- Trzymać elektronarzędzie tylko za izolowane powierzchnie do chwytania podczas wykonywania prac, podczas których akcesorium tnące może zetknąć się z ukrytym okablowaniem. Zetknięcie się osprzętu tnącego z przewodem pod napięciem może sprawić, że odsłonięte metalowe części narzędzia również będą pod napięciem i spowodować porażenie operatora prądem.
- Odpowiednio chwycić narzędzie przed użyciem. To narzędzie generuje wysoki moment obrotowy i bez jego prawidłowego trzymania podczas pracy może dojść do utraty panowania nad narzędziem, co może prowadzić do obrażeń ciała.

Instrukcje dotyczące bezpieczeństwa podczas korzystania z długich wiertel

- Nigdy nie używać wiertarki z prędkością obrotową przekraczającą maksymalną

znamionową prędkością obrotową wiertła. Przy wyższych prędkościach wiertło może się zgiąć, jeśli pozwoli mu się na swobodne obracanie bez stykania z obrabianym przedmiotem, co może prowadzić do obrażeń ciała.

- Zawsze rozpoczynać wiercenie z niską prędkością i z końcówką wiertła stykającą się z obrabianym przedmiotem. Przy wyższych prędkościach wiertło może się zgiąć, jeśli pozwoli mu się na swobodne obracanie bez stykania z obrabianym przedmiotem, co może prowadzić do obrażeń ciała.
- Wywierać nacisk wyłącznie w linii prostej, w osi wiertła i nie wywierać nadmiernego nacisku. Wiertło może się zgiąć, powodując pęknięcie wiertła lub utratę panowania nad narzędziem, co może prowadzić do obrażeń ciała.

Ostrzeżenia dotyczące akumulatora

- Nie otwierać akumulatora. Ryzyko zwarcia.
- Chronić akumulator przed gorącym, np. długotrwałym silnym nasłonecznieniem, ogniem, wodą i wilgocią. Ryzyko wybuchu.
- W razie uszkodzenia i błędnego użytkowania akumulatora, może dojść do emisji oparów. Przewietrzyć miejsce emisji i uzyskać pomoc lekarską w razie dolegliwości. Opary mogą powodować podrażnienie układu oddechowego.
- Używać akumulatora wyłącznie w połączeniu z produktem marki Ferm Industrial. Takie postępowanie chroni akumulator przed niebezpiecznym przeciążeniem.
- Akumulator może zostać uszkodzony przez ostro zakończone przedmioty, jak gwoździe lub wkrętki, albo przez uderzenie z zewnątrz. Może dojść do wewnętrznego zwarcia i akumulator może zacząć się palić, dymić, wybuchnąć lub przegrzać się.

Ostrzeżenia dotyczące ładowarki Przeznaczenie

Przy pomocy tej ładowarki ładować wyłącznie akumulatory typu CDA1132P i CDA1133P.

Używać wyłącznie następujących akumulatorów z platformy akumulatorów marki Ferm Industrial FI20V. Użycie innych akumulatorów może spowodować poważne obrażenia ciała lub uszkodzenie narzędzia.

CDA1132P 20 V, 2 Ah Litowo-jonowy
 CDA1133P 20 V, 4 Ah Litowo-jonowy

Następującej ładowarki można używać do ładowania tych akumulatorów.

CDA1131P Szybka ładowarka

Akumulatory marki Ferm Industrial z gamy akumulatorów FI20V można stosować we wszystkich narzędziach obsługujących gamę akumulatorów FI20V.

Pozostałe zagrożenia

Nawet gdy elektronarzędzie jest używane zgodnie z zaleceniami, nie można wyeliminować wszystkich czynników ryzyka (szczątkowego). Następujące zagrożenia wiążą się z budową elektronarzędzia:

- Szkody dla zdrowia wynikające z emisji drgań, jeśli elektronarzędzie jest używane przez długi okres i nie jest odpowiednio konserwowane i regulowane.
- Obrażenia ciała i uszkodzenia mienia z powodu pękniętych akcesoriów, nagle wyrzuconych przez urządzenie.



Ostrzeżenie! *To elektronarzędzie wytwarza pole elektromagnetyczne podczas pracy. To pole może w pewnych okolicznościach zakłócać aktywne lub pasywne implanty medyczne. Aby ograniczyć ryzyko poważnych lub śmiertelnych obrażeń ciała, zalecamy osobom z implantami medycznymi konsultację z lekarzem oraz producentem implantu przed rozpoczęciem obsługi tego elektronarzędzia.*

Wymiana kabla zasilającego

Jeśli przewód zasilania jest uszkodzony, musi go wymienić producent, jego przedstawiciel serwisowy lub podobnie, odpowiednio wykwalifikowana osoba, aby uniknąć zagrożenia.

2. INFORMACJE O MASZYNE

Przeznaczenie

Akumulatorowa wiertarko-wkrętarka jest przeznaczona do wkręcania i wykręcania wkrętów oraz do wiercenia w drewnie, metalu i tworzywach sztucznych.

Dane techniczne

Maszyna	CDM1141P
Napięcie	20 V
Rozmiar uchwytu	1,5-13 mm
Obroty bez obciążenia	
Pozycja 1:	0-450 /min
Pozycja 2:	0-1700 /min
Maks. moment obrotowy	50 Nm
Regulacja momentu obrotowego	21 + Tryb wiercenia
Ciężar (bez akumulatora)	1,24 kg
Poziom ciśnienia akustycznego	L_{pA} 92 dB(A), K=3dB(A)
Poziom mocy akustycznej	L_{WA} 103 dB(A), K=3dB(A)
Drgania	2,93 m/s ² K=1,5 m/s ²

Ładowarka	CDA1131P
Parametry zasilania wejściowego ładowarki	100-240 V prądu zmiennego, 50-60 Hz, 50 W
Parametry zasilania wyjściowego ładowarki	20 V, 2 A
Czas ładowania akumulatora 2 Ah	60 minut
Czas ładowania akumulatora 4 Ah	120 minut
Zalecane akumulatory	CDA1132P, CDA1133P
Ciężar	0,36 kg

Akumulator	CDA1132P
Typ akumulatora	Litowo-jonowy
Napięcie	20 V
Pojemność	2,0 Ah
Zalecana ładowarka	CDA1131P
Ciężar	0,38 kg

Poziom drgań

Poziom emisji drgań podany w niniejszej instrukcji został zmierzony zgodnie ze zharmonizowanym testem podanym w normie EN 62841 i może być stosowany do porównywania narzędzi ze sobą oraz w celu wstępnego oszacowania narażenia na drgania podczas stosowania narzędzia zgodnie z podanym przeznaczeniem

- Używanie narzędzia do innych zastosowań lub z innymi albo źle konserwowanymi akcesoriami może znacząco zwiększać poziom ekspozycji.

- Okresy, kiedy narzędzie jest wyłączone, lub gdy jest włączone, ale nie jest używane, mogą znacząco ograniczać poziom ekspozycji.

Chroń się przed wpływem drgań, konserwując odpowiednio narzędzie i akcesoria, utrzymując ciepłotę dłoni oraz odpowiednio organizując pracę.

Opis

Liczby w tekście odnoszą się do rysunków na stronach 2-3.

Rys. A

1. Maszyna
2. Akumulator
3. Przycisk odblokowania akumulatora
4. Wskaźnik ładowania akumulatora
5. Ładowarka
6. Diody LED ładowarki
7. Uchwyt
9. Przełącznik wyboru biegu
10. Przełącznik kierunku obrotów
11. Włącznik
12. Pierścień regulacji momentu obrotowego
13. Lampka robocza
14. Hak do mocowania na pasie

3. OBSŁUGA



Akumulator należy naładować przed pierwszym użyciem.

Wymywanie akumulatora z narzędzia

Rys. B

- Trzymać narzędzie (1) mocno jedną ręką
- Wcisnąć przycisk odblokowania akumulatora (3) umieszczony z tyłu akumulatora (2) drugą ręką.
- Trzymając ten przycisk wciśnięty (3), wysunąć akumulator do tyłu z narzędzia, jak na Rys. B.

Wkładanie akumulatora do narzędzia

Rys. B



Dopilnować, aby zewnętrzna powierzchnia akumulatora była czysta i sucha przed podłączeniem do ładowarki lub narzędzia.

- Trzymać narzędzie (1) mocno jedną ręką
- Włożyć akumulator (2) w podstawę narzędzia, zgodnie z Rys. B.
- Wcisnąć akumulator dalej, aż zatrzaśnie się w poprawnym położeniu.

Sprawdzanie stanu naładowania akumulatora

Rys. C



Dołączany akumulator jest dostarczany częściowo naładowany.

- Aby sprawdzić stan naładowania akumulatora, wcisnąć przycisk (4) na akumulatorze na chwilę.
- Akumulator ma 3 diody informujące o poziomie naładowania. Im więcej świeci diod, tym wyższy poziom naładowania akumulatora.

Ładowanie akumulatora (ładowarka)

Rys. C

- Wyjąć akumulator (2) z narzędzia
- Ustawić akumulator (2) dołem do góry i wsunąć go w ładowarkę (5) zgodnie z Rys. C.
- Wcisnąć akumulator do oporu do gniazda.
- Podłączyć ładowarkę do gniazda i poczekać chwilę. Diody LED na ładowarce (6) zaświecą się, informując o stanie ładowania.

Diody LED (6)

Rys. C

Ładowarka jest wyposażona w 2 diody LED (6), informujące o stanie procesu ładowania:

Stan czerwonej diody LED:	Stan zielonej diody LED:	Stan ładowarki
Wyłączona	Wyłączona	Brak zasilania
Włączona	Wyłączona	Tryb gotowości: -Nie włożono akumulatora lub -Akumulator włożony, ale ładowanie skończyło się ponad 2 godziny temu
Migająca	Migająca	Uszkodzony akumulator
Włączona	Migająca	Ładowanie akumulatora w toku
Włączona	Włączona	Ładowanie akumulatora zakończone, akumulator całkowicie naładowany
Migająca	Wyłączona	Akumulator jest za gorący; proces ładowania wstrzymany. Ładowanie rozpocznie się automatycznie po ostygnięciu akumulatora.

- Całkowite naładowanie akumulatora może trwać do 60 minut.
- Po całkowitym naładowaniu akumulatora wyjąć wtyczkę ładowarki z gniazdka i wyjąć akumulator z ładowarki.
- Akumulator można przechowywać zamontowany w narzędziu.



Akumulatory litowo-jonowe mogą być przechowywane przez długi okres, nie tracąc dużo ładunku. Kiedy narzędzie nie jest używane przez długi okres, najlepiej przechowywać akumulator w stanie naładowanym.

Mocowanie i wyjmowanie wiertła lub końcówek narzędziowych wkrętarki

Rys. A



Zawsze wyjmować akumulator przed zamocowaniem akcesorium.

Uchwyt wiertła (7) jest przeznaczony dla wiertła i końcówek narzędziowych o trzonku okrągłym oraz sześciokątnym.

- Trzymać narzędzie mocno jedną ręką
- Otworzyć uchwyt wiertła (7), obracając tuleję uchwytu drugą ręką przeciwnie do wskazówek zegara, aż otworzy się na tyle, aby można było wsunąć końcówkę.
- Włożyć trzonek wiertła lub końcówki narzędziowej
- Dokręcić uchwyt, mocno obracając tuleję uchwytu przeciwnie do wskazówek zegara.
- Sprawdzić, czy końcówka jest dobrze wycelowana, włączając maszynę włącznikiem na chwilę.

Regulacja biegów

Rys. A



Nigdy nie zmieniać biegów, gdy silnik pracuje, ponieważ spowoduje to uszkodzenie narzędzia.



Nigdy nie ustawiać przełącznika pomiędzy dwiema pozycjami, ponieważ spowoduje to uszkodzenie narzędzia.

Narzędzie oferuje dwie prędkości wiercenia, które można ustawiać, przesuwając przełącznik biegów (9) do przodu lub do tyłu. Numer na przełączniku biegów (9) pokazuje wybraną pozycję.

- Pozycja 1: Do wolnego wiercenia, wiercenia otworów o dużej średnicy lub wkręcania wkrętów. Maszyna ma dużą moc (wysoki moment obrotowy) i niską prędkość obrotową.
- Pozycja 2: Do szybkiego wiercenia lub wiercenia otworów o małej średnicy.

Regulacja kierunku obrotów

Rys. A

- Ustawić przełącznik kierunku (10) w położenie „←”, aby wkręcać wkręty lub wiercić.
- Ustawić przełącznik kierunku (10) w położenie „→”, aby wykręcać wkręty.

Włączanie i wyłączanie narzędzia

Rys. A

Włącznik (11) służy do włączania narzędzia i regulacji prędkości obrotowej.

- Wciśnięcie włącznika (11) włącza narzędzie, a im silniej włącznik jest wciśnięty, tym szybciej obraca się wiertło.
- Zwolnienie włącznika (11) powoduje zatrzymanie narzędzia.
- Przeszawić przełącznik kierunku (10) w położenie środkowe, aby zablokować ruch włącznika. W tym położeniu włącznika nie można uruchomić.



Odkładaj narzędzie, dopiero gdy zatrzyma się całkowicie. Nie kładź narzędzia w miejscu pokrytym pyłem, ponieważ pył może przedostać się do wnętrza mechanizmu.

Regulacja momentu obrotowego

Rys. A

Narzędzie oferuje różnych ustawień momentu obrotowego i specjalny tryb wiercenia, co pozwala na regulację siły przenoszonej na uchwyt.

Obracając pierścień regulacji momentu obrotowego (12), można wkręcać śruby na ustawioną głębokość, co jest idealne w przypadku powtarzalnej pracy. Im wyższa liczba, tym większy moment obrotowy.

- Wybrać niższe ustawienie dla małych wkrętów lub miękkiego materiału do obróbki.
- Wybrać wyższe ustawienie dla dużych wkrętów, twardych materiałów lub do wykręcania wkrętów.

- Najlepiej ustawiać jak najniższe ustawienie do wkręcania wkrętów. Wybierać wyższe ustawienie, jeśli silnik ślizga się przed pełnym wkręceniem wkręta.
- Do wiercenia przekręcić pokrętko regulacji momentu obrotowego (12) na ustawienie dla wiercenia, przekręcając je do oporu przeciwnie do wskazówek zegara.



Dopilnować, aby przełącznik kierunku (10) był zawsze ustawiony na „←” podczas wiercenia.



Narzędzie jest wyposażone w zabezpieczenie przeciążeniowe. W razie przeciążenia narzędzie wyłączy się automatycznie. Jeśli tak się stanie, odczekać co najmniej 5 sekund, aby pozwolić na zresetowanie układu zabezpieczającego przed przeciążeniem.

Lampka robocza (13)

Rys. A

Narzędzie jest wyposażone w lampkę roboczą oświetlającą miejsce pracy.

- Lampka włącza się automatycznie, gdy włącznik jest wciśnięty.
- Lampka wyłącza się automatycznie, gdy włącznik jest zwolniony.

Hak do mocowania na pasku (14)

Rys. A

Narzędzie jest wyposażone w hak do mocowania na pasku podczas pracy.



Zawsze przestawiać przełącznik kierunku (10) w środkowe położenie, aby uniknąć przypadkowego uruchomienia narzędzia.

- W momencie dostawy hak do mocowania na pasku (14) jest założony po lewej stronie maszyny.
- Można go łatwo zdemontować, wykręcając śrubę na haku i zdejmując go.
- Można go w razie potrzeby zamocować po prawej stronie narzędzia.

Porady dla użytkownika

Podczas wkręcania wkrętów w drewno, metal lub inne materiały:

- Przed użyciem narzędzia sprawdzić, czy

wiertło lub końcówka narzędziowa jest poprawnie zamocowana(e) i ustawiona(e) pośrodku uchwyty wiertła.

- Dostępne są końcówki narzędziowe o różnych kształtach i wymiarach. W razie niepewności zawsze sprawdzić, czy końcówka pasuje do główki wkrętu/śruby bez luzu przed użyciem narzędzia.
- Dopilnować, aby narzędzie nie pracowało w momencie dotknięcia śruby. Obracająca się końcówka może się ślizgać. Może to spowodować uszkodzenie obrabianego przedmiotu.

Podczas wiercenia w drewnie, metalu lub innych materiałach:

- Używać wysokiej prędkości obrotowej wiercenia z wiertłami o małej średnicy. Używać niskiej prędkości obrotowej wiercenia z wiertłami o dużej średnicy.
- W przypadku twardych materiałów wybierać niską prędkość wiercenia, a w przypadku miękkich materiałów wybierać wysoką prędkość wiercenia.
- Dobrze przymocować obrabiany przedmiot, najlepiej zaciskiem lub imadłem.
- Podczas wiercenia często wycofywać wiertło z otworu, aby usuwać pył i wióry.

Podczas wiercenia w metalu:

- Używać wiertła do metalu (HSS). W celu uzyskania najlepszych rezultatów należy schładzać wiertło olejem.
- Wiertła do metalu (HSS) można także używać do wiercenia w tworzywach sztucznych.

4. KONSERWACJA



Przed rozpoczęciem czyszczenia i konserwacji zawsze wyłączać maszynę i wyjmować z niej akumulator.

Czyścić obudowę maszyny regularnie miękką ściereczką, najlepiej po każdym użyciu. Dopilnować, aby otwory wentylacyjne były wolne od pyłu, kurzu i zabrudzeń. Usuwać odporne zabrudzenia miękką ściereczką zwilżoną mydlinami. Nie używać żadnych rozpuszczalników, takich jak benzyna, alkohol, amoniak itp. Takie substancje chemiczne

spowodują uszkodzenie części z tworzyw sztucznych.

SRODOWISKO



Uszkodzone i/lub niepotrzebne urządzenia elektryczne lub elektroniczne podlegają zbiórce w odpowiednich punktach recyklingu.

Tylko kraje WE

Nie wyrzucać elektronarzędzi wraz z odpadami z gospodarstw domowych. Zgodnie z dyrektywą 2012/19/EU dotyczącą zużytych urządzeń elektrycznych i elektronicznych oraz jej wdrożeniem do prawodawstwa krajowego, elektronarzędzia, które już nie nadają się do użytku, podlegają oddzielnej zbiórce oraz utylizacji w sposób przyjazny dla środowiska.

GWARANCJA

Warunki gwarancji są opisane w oddzielnej, dołączonej karcie gwarancyjnej.

Produkt i instrukcja obsługi podlegają zmianom. Dane techniczne podlegają zmianom bez uprzedzenia.

Akumulatorinis ličio jonų gręžtuvas 20 V CDM1141P

Ačiū, kad įsigijote šį „Ferm“ gaminį. Dabar turite puikų gaminį, kurį pateikia vieni svarbiausių Europos tiekėjų. Visi „Ferm“ tiekiami gaminiai yra pagaminti pagal aukščiausius veikimo ir saugos standartus. Be to, mes užtikriname puikią techninę priežiūrą, pagrįstą mūsų visapusiška garantija. Mes tikimės, kad šis įrankis puikiai tarnaus jums ilgus metus.

1. SAUGOS TAISYKLĖS



Perskaitykite pateiktus įspėjimus dėl saugos ir papildomas saugos taisykles bei nurodymus. Jei bus nesilaikoma

toliau pateiktų įspėjimų dėl saugos ir nurodymų, gali kilti elektros smūgio, gaisro ir (arba) sunkaus sužeidimo pavojus. **Išsaugokite saugos taisykles ir naudojimo instrukciją ateičiai.**

Šioje naudojimo instrukcijoje ir arba ant įrenginio naudojami simboliai:



Perskaitykite naudojimo instrukciją.



Reiškia susižeidimo pavojų, pavojų gyvybei ar įrankio sugadinimo grėsmę nesilaikant instrukcijos nurodymų.



Elektros smūgio pavojus



Elektroninis greičio reguliavimas



Sukimas į kairę/dešinę



Nenaudokite lietui lyjant



Naudokite tik patalpose



II klasės prietaisas - dviguba izoliacija - Nereikia jokio įžeminto kištuko.



Maks. temperatūra 40 °C



Nemeskite akumulatoriaus į ugnį



Nemeskite akumulatoriaus į vandenį



Neišmeskite šio prietaiso į netinkamus konteinerius.



Ličio jonų akumulatoriai yra surenkami atskirai.



Miniatiūrinis saugiklis-laiko relė



Šis gaminytis atitinka galiojančius Europos direktyvų standartus.

Papildomos gręžtuvų ir varžtų suktuvų saugos taisyklės

Gręžtuvo naudojimo saugos taisyklės

- Naudodami smūginius gręžtuvus, dėvėkite ausų apsaugas. Triukšmas gali sukelti klausos praradimą.
- Atlikdami darbus, kurių metu pjovimo dalys gali paliesti paslėptus laidus, laikykite elektrinį įrankį tik už izoliuotų, laikymui skirtų paviršių. Pjovimo daliai prisilietus prie „gyvo“ laido, neizoliuotos metalinės elektrinio įrankio dalys gali sukelti elektros smūgį ir nutrenkti operatorių.
- Tinkamai atremkite įrankį prieš pradėdami jį naudoti. Šis įrankis sukuria didelį sukimo momentą ir dirbant tinkamai jo neatrėmus, jo galima nesuvaldyti ir susižaloti.

Ilgų grąžtų naudojimo saugos taisyklės

- Niekada neviršykite grąžtui numatyto maksimalaus greičio. Esant didesniam greičiui, antgaliumi laisvai sukantis ir neliečiant ruošinio, jis gali sulinkti ir sužaloti.
- Visada pradėkite gręžti mažu greičiu, grąžto galu liedsdami ruošinį. Esant didesniam greičiui, antgaliumi laisvai sukantis ir neliečiant ruošinio, jis gali sulinkti ir sužaloti.
- Spauskite grąžtą tik laikydami tiesiai ir nespauskite per stipriai. Grąžtai gali sulinkti ir nulūžti arba galite nesuvaldyti įrankio ir susižaloti.

Akumulatoriaus naudojimo saugos taisyklės

- Neardykite akumulatoriaus. Trumpojo jungimo pavojus.
- Saugokite akumuliatorių nuo šilumos, pvz., nuolatinės intensyvios saulėkaitos, ugnies, taip pat nuo vandens ir drėgmės. Sprogimo pavojus.
- Akumulatoriaus pažeidimo ir netinkamo naudojimo atveju iš jo gali būti išmetami garai. Išvėdinkite vietą ir, esant nusiskundimų, kreipkitės pagalbos į gydytojus. Garai gali sudirginti kvėpavimo sistemą.
- Naudokite akumuliatorių tik su „Ferm Industrial“ gaminiu. Vien ši atsargumo priemonė apsaugo akumuliatorių nuo pavojingos perkrovos.
- Akumuliatorių gali pažeisti aštrūs daiktai, pavyzdžiui, vinys, arba suktuvai, arba išorinės jėgos. Gali įvykti trumpasis vidinės grandinės jungimas ir akumuliatorius gali sudegti, pradėti rūkti, sprogti arba perkaisti.

Kroviklio naudojimo saugos taisyklės

Naudojimo paskirtis

Šiuo krovikliu kraukite tik CDA1132P ir CDA1133P tipo įkraunamus akumuliatorius.

Naudokite tik toliau nurodytus „Ferm Industrial“ FI20V akumuliatorių platformos akumuliatorius. Naudojant su kitais akumulatoriais, galima sunkiai susižaloti arba sugadinti įrankį.

CDA1132P	20 V, 2 Ah, ličio jonų
CDA1133P	20 V, 4 Ah, ličio jonų

Šiuos akumuliatorius galima įkrauti toliau nurodytu krovikliu.

CDA1131P	greitasis kroviklis
----------	---------------------

„Ferm Industrial“ FI20V akumuliatorių platformos akumuliatorius galima naudoti su visais „Ferm Industrial“ FI20V akumuliatorių platformos įrankiais.

Kiti pavojai

Netgi naudojant elektrinį įrankį taip, kaip nurodyta, neįmanoma atmesti visų likusiųjų pavojų veiksmų. Dėl šio elektrinio įrankio konstrukcijos ir dizaino gali kilti tokių pavojų:

- žala sveikatai dėl vibracijos poveikio, jeigu įrankis naudojamas ilgą laiką ir nėra tinkamai eksploatuojamas arba techniškai prižiūrimas;

- b) Sužalojimai ir turtinė žala sulūžus ir staigiai išlėkus priedams.



Įspėjimas! Šis elektrinis įrankis darbo metu sukuria elektromagnetinį lauką. Esant tam tikroms sąlygoms, šis laukas gali sutrikdyti aktyvių arba pasyvių medicininių implantų veikimą. Norint sumažinti sunkių arba mirtinų sužeidimų pavojų, rekomenduojame, kad asmenys, turintys medicininių implantų, prieš pradėdami naudoti šį elektrinį įrankį, pasitartų su savo fizioterapeutais ir medicininių implantų gamintojais.

Maitinimo laido keitimas

Jei pažeidžiamas maitinimo laidas, jį leidžiama keisti tik gamintojui, gamintojo klientų aptarnavimo atstovui arba panašios kvalifikacijos asmeniui - kitaip gali kilti pavojus.

2. INFORMACIJA APIE ĮRENGINĮ

Numatytoji naudojimo paskirtis

Šis akumuliatorinis gręžtuvas skirtas varžtas įsukti bei išsukti ir medienai, metalui bei plastikui gręžti.

Techniniai duomenys

Įrankis	CDM1141P
Įtampa	20 V
Griebtuvo skersmuo	1,5-13 mm
Greitis be apkrovos	
1 padėtis:	0-450 /min
2 padėtis:	0-1700 /min
Maks. Sukimo momentas	50 N.m.
Sukimo momento nuostatos	21 + gręžimo režimas
Svoris (be akumuliatoriaus)	1,24 kg
Garso slėgio lygis	L_{pA} 92 dB(A), K=3dB(A)
Garso stiprumo lygis	L_{wA} 103 dB(A), K=3dB(A)
Vibracija	2,93 m/s ² K=1,5 m/s ²
Kroviklis	CDA1131P
Kroviklio įvadas	100-240 VAC 50-60 Hz, 50 W
Kroviklio išvadas	20 V 2 A
2 Ah akumuliatoriaus įkrovimo trukmė	60 minučių

4 Ah akumuliatoriaus įkrovimo trukmė	120 minučių
Rekomenduojami akumuliatoriai	CDA1132P, CDA1133P
Svoris	0,36 kg

Akumuliatorius	CDA1132P
Akumuliatoriaus tipas	Ličio jonų
Įtampa	20 V
Talpa	2,0 Ah
Rekomenduojamas kroviklis	CDA1131P
Svoris	0,38 kg

Vibracijos lygis

Šioje naudojimo instrukcijoje nurodytas vibracijos lygis nustatytas atsižvelgiant į standartinį bandymo metodą, pateiktą EN 62841; jį galima naudoti palyginimui su kitais įrankiais ir preliminarium vibracijos poveikio įvertinimui naudojant įrankį minėtiems darbams atlikti.

- Naudojant įrankį kitokiems darbams arba naudojant su kitokiais arba prastai techniškai prižiūretais priedais, poveikio lygis gali ženkliai padidėti.
- Kai įrankis yra išjungtas arba kai jis veikia, bet faktiškai nėra naudojamas, poveikio lygis gali ženkliai sumažėti.

Apsisaugokite nuo vibracijos poveikio, techniškai prižiūredami įrankį ir jo priedus, laikydami rankas šiltai, planuodami darbus.

Aprašas

Šiame tekste esantys skaičiai atitinka 2-3 psl. esančius paveikslėlius.

A pav.

1. Įrankis
2. Akumuliatorius
3. Akumuliatoriaus atlaisvinimo mygtukas
4. Akumuliatoriaus įkrovimo indikatorius
5. Kroviklis
6. Kroviklio diodiniai indikatoriai
7. Kumštelinis griebtuvas
9. Pavaros pasirinkimo jungiklis
10. Sukimosi krypties jungiklis
11. Įjungimo/išjungimo jungiklis
12. Sukimo momento reguliavimo žiedas
13. Apšvietimo lemputė
14. Kablys įrankiui kabinti ant diržo

3. NAUDOJIMAS



Prieš naudojant pirmą kartą, akumuliatorių privaloma įkrauti.

Akumuliatoriaus išėmimas iš įrankio

B pav.

- Viena ranka tvirtai laikykite įrankį (1)
- Kita ranka paspauskite akumuliatoriaus atlaisvinimo mygtuką (3), esantį galinėje akumuliatoriaus pusėje (2).
- Laikydami nuspaudę šį mygtuką (3), ištraukite akumuliatorių iš įrankio, kaip parodyta B pav.

Akumuliatoriaus įdėjimas į įrankį

B pav.



Prieš prijungdami akumuliatorių prie kroviklio arba prieš įdėdami jį į įrankį, įsitinkite, ar akumuliatoriaus išorinis paviršius yra švarus.

- Viena ranka tvirtai laikykite įrankį (1)
- Įkiškite akumuliatorių (2) į įrankio pagrindą, kaip pavaizduota B pav.
- Stumkite akumuliatorių pirmyn, kol jis spragtelėdamas užsifiksuos.

Baterijos įkrovos būsenos tikrinimas

C pav.



Pristatomas akumuliatorius pateikiamas dalinai įkrautas.

- Norėdami patikrinti akumuliatoriaus įkrovos būseną, spustelėkite ant akumuliatoriaus esantį mygtuką (4).
- Akumuliatorius turi 3 lemputes, rodančias įkrovos lygį: kuo daugiau lempučių šviečia, tuo labiau yra įkrautas akumuliatoriaus.

Akumuliatoriaus krovimas (naudojant kroviklį)

C pav.

- Išimkite akumuliatorių (2) iš įrankio
- Apverskite akumuliatorių (2) aukštyn kojomis ir įstumkite jį į kroviklį (5), kaip pavaizduota C pav.
- Stumkite akumuliatorių tol, kol jis bus visiškai įkištas į angą.
- Įkiškite kroviklio kištuką į elektros tinklo lizdą ir šiek tiek palaukite. Užsidsigs ant kroviklio esantys diodiniai indikatoriai (6), rodantys kroviklio būseną.

Diodiniai indikatoriai (6)

C pav.

Kroviklis turi 2 diodinius indikatorius (6), kurie rodo krovimo proceso būseną:

Raudono šviesos diodo būseną:	Žalio šviesos diodo būseną:	Kroviklio būseną
Išjungtas	Išjungtas	Nėra maitinimo
Išjungtas	Išjungtas	Parengties režimas: - neįdėtas akumuliatorius arba - akumuliatorius įdėtas, bet krovimas buvo baigtas daugiau nei prieš 2 valandas
Žybcioja	Žybcioja	Sugedęs akumuliatorius
Išjungtas	Žybcioja	Akumuliatorius kraunamas
Išjungtas	Išjungtas	Akumuliatoriaus krovimas baigtas; akumuliatorius visiškai įkrautas
Žybcioja	Išjungtas	Akumuliatorius per karštas, krovimo procesas pristabdytas. Kai tik akumuliatorius atvės, vėl bus automatiškai pradėtas krovimas.

- Kiekvienas susitikimas gali užtrukti iki 60 minučių.
- Krovimui pasibaigus, ištraukite kroviklį iš maitinimo lizdo ir išimkite akumuliatorių iš kroviklio.
- Akumuliatorių galima padėti atskirai arba įkišti tiesiai į įrankį.



Ličio jonų akumuliatorius galima laikyti ilgą laiką ir jie išsikrauna labai mažai. Jeigu įrankis nebus naudojamas ilgą laiką tarpą, akumuliatorių reikėtų laikyti visiškai įkrautą.

Grąžtų arba sukimo antgalių įdėjimas ir išėmimas

A pav.



Prieš montuodami priedą, visada ištraukite iš jo akumuliatorių.

Grąžtų griebtuvas (7) tinka grąžtams ir sukimo antgaliams, turintiems apvalią arba šešiakampę ašį.

- Viena ranka tvirtai laikykite įrankį
- Kita ranka atidarykite grąžtuvo griebtuvą (7): sukite griebtuvo movą pagal laikrodžio rodyklę tol, kol ji bus pakankamai praverta ir į ją galima

bus įkišti antgalį.

- Įkiškite grąžto arba sukimo antgalio ašį
- Vėl užveržkite gręžtuvo griebtuvą, sukdami griebtuvo movą prieš laikrodžio rodyklę.
- Patikrinkite, ar antgalis yra tinkamai sucentruotas, trumpam suaktyvindami įrankio įjungimo/išjungimo jungiklį.

Pavarų pasirinkimas

A pav.



Niekada neperjunkite pavarų varikliui veikiant, antraip sugadinsite įrankį.



Niekada nenustatykite per vidurį tarp dviejų padėčių, antraip sugadinsite įrankį.

Įrankis turi 2 gręžimo greičius, kuriuos galima nustatyti stumiant pavaros pasirinkimo jungiklį (9) pirmyn arba atgal. Pavaros pasirinkimo jungiklio (9) skaičius rodo pasirinktą padėtį.

- 1 padėtis: lėtam gręžimui, didelio skersmens skylių gręžimui arba varžtų sukimui. Įrankis turi didelės galios esant mažoms apsukoms.
- 2 padėtis: greitam gręžimui arba mažo skersmens skylių gręžimui

Sukimosi krypties pasirinkimas

A pav.

- Norėdami įsukti varžtus arba naudoti įrankį gręžimui, nustatykite krypties pasirinkimo jungiklį (10) į padėtį „←“.
- Norėdami varžtus išsukti, nustatykite krypties pasirinkimo jungiklį (10) į padėtį „→“.

Prietaiso įjungimas ir išjungimas

A pav.

Įrankis suaktyvinamas ir sukimosi greitis reguliuojamas naudojant įjungimo/išjungimo jungiklį (11).

- Spaudžiant įjungimo/išjungimo jungiklį (11), įrankis veikia: kuo labiau spaudžiamas jungiklis, tuo greičiau veikia gręžtuvas.
- Norėdami įrankį išjungti, įjungimo/išjungimo jungiklį (11) atleiskite.
- Pastumkite sukimosi krypties jungiklį (10) į vidurinę padėtį, kad užfiksuotumėte įjungimo/išjungimo jungiklį ir jis nejudėtų. Šioje padėtyje jo suaktyvinti negalima.



Įrankį padėkite tik tada, kai jis visiškai sustos. Nedėkite įrankio ant dulkelėto paviršiaus, nes į mechanizmą gali patekti dulkių.

Sukimo momento reguliavimas

A pav.

Šis įrankis turi skirtingų sukimo momento nuostatų ir specialių gręžimo režimą, kad galima būtų nustatyti griebtuvui perduodamą galią.

Sukant sukimo momento reguliavimo žiedą (12), varžtus galima sukuti į iš anksto nustatytą gylį: tai idealiai tinka atliekant kartotinį darbą. Kuo didesnis skaičius, tuo didesnis bus perduodamas sukimo momentas.

- Pasirinkite žemą nuostatą mažiems varžtams sukuti arba gręžti minkštos medžiagos ruošinį.
- Pasirinkite aukštą nuostatą dideliems varžtams sukuti, gręžti kietos medžiagos ruošinį arba varžtams išsukti.
- Pageidautina, kad įsukdami varžtus, pasirinktumėte kaip įmanoma mažesnę nuostatą. Jeigu iki galo neįsukus varžto variklis prisisuka, pasirinkite didesnę nuostatą.
- Norėdami gręžti, pasukite sukimo momento reguliavimo žiedą (12) ties gręžimo nuostata (), iki galo pasukdami jį prieš laikrodžio rodyklę.



Gręždami visada įsitinkinkite, ar krypties nustatymo jungiklį (10) yra nustatytas ties ←.



Šiame įrankyje įrengta elektroninė apsaugos nuo perkrovos funkcija. Jeigu tik įrenginys perkraunamas, jis automatiškai išjungiamas. Įvykus perkrovai, palaukite bent 5 sekundes, kol apsaugos nuo perkrovos įtaisas pats atsitaisys.

Apšvietimo lemputė (13)

A pav.

Įrankis turi apšvietimo lemputę, kuri apšviečia darbo vietą.

- Ji automatiškai įsijungia paspaudus įjungimo/išjungimo jungiklį.
- Įjungimo/išjungimo jungiklį atleidus, ji automatiškai išsijungia.

Kablys įrankiui kabinti ant diržo (14)

A pav.

Įrankis turi kablį įrankiui kabinti ant diržo.



Visada nustatykite sukimosi krypties jungiklį (10) ties vidurine padėti, kad įrankis nebūtų netyčia įjungtas.

- Pristatytame įrankyje kablys įrankiui kabinti ant diržo (14) yra sumontuotas įrankio kairėje pusėje.
- Jį galima lengvai nuimti išsukus ant kablo esantį varžtą.
- Jeigu norima, jį galima sumontuoti dešinėje įrankio pusėje.

Patarimai naudotojui

Sukdami varžtus į medieną, metalą ir kitas medžiagas:

- Prieš pradėdami naudoti prietaisą, patikrinkite, ar grąžtas arba sukimo antgalis yra tinkamai įtaisytas kumštelinio gręžtuvo griebtuvo centre.
- Sukimo antgaliai yra kelių formų ir matmenų. Jeigu nesate tikri, kokio antgalio jums reikia, prieš naudodami įrankį, visada patikrinkite, ar antgalis idealiai atitinka varžto galvutę be jokio laisvumo.
- Palietus varžtą, įrankis turi neveikti. Nesisukantis antgalis gali nuslysti. Todėl gali būti apgadintas ruošinys.

Medienos, metalo ir kitų medžiagų gręžimas:

- Naudodami mažo skersmens grąžtus, pasirinkite didelį gręžimo greitį. Naudodami didelio skersmens grąžtus, pasirinkite mažą gręžimo greitį.
- Kietoms medžiagos gręžti pasirinkite mažą gręžimo greitį, o minkštoms - didelį gręžimo greitį.
- Tinkamai įtvirtinkite ruošinį, pageidautina spaustuvais arba griebtuvais.
- Gręždami dažnai ištraukite grąžtą iš skylės, kad pašalintumėte pjuvenas ir dulkes.

Metalo gręžimas

- Naudokite metalinį grąžtą (HSS). Norint pasiekti geriausių rezultatų, grąžtą reikėtų aušinti alyva.
- Metaliniai (HSS) grąžtais taip pat galima gręžti plastiką.

4. TECHNINĖ PRIEŽIŪRA



Prieš atlikdami valymo ir techninės priežiūros darbus, visada išjunkite jį ir ištraukite maitinimo laido kištuką iš elektros lizdo.

Reguliariai valykite prietaiso korpusą sausa šluoste, pageidautina po kiekvieno panaudojimo. Ventilacijos angos turi būti švarios: nedulkėtos ir nepurvinos. Įsisenėjusį purvą nuvalykite minkšta šluoste, suvilgyta muiluo tame vandenyje. Nenaudokite jokių tirpiklių, pavyzdžiui, benzino, alkoholio, amoniako ir panašiai, nes tokios cheminės medžiagos gali sugadinti sintetines įrankio sudedamąsias dalis.

APLINKOSAUGA



Sugedusius ir (arba) išmestus elektrinius arba elektroninius aparatus reikia pristatyti į atitinkamus perdirbimo punktus.

Taikoma tik EB šalims

Neišmeskite elektrinių įrankių kartu su įprastomis buitinėmis atliekomis. Atsižvelgiant į ES Direktyvą 2012/19/EU dėl elektrinių ir elektroninių įrenginių bei jos įgyvendinimą pagal nacionalinius teisės aktus, visi elektriniai įrankiai privalo būti surenkami atskirai nuo buitinių atliekų bei perdirbami tokiu būdu, kad nebūtų daroma žala aplinkai.

GARANTIJA

Garantines sąlygas galite rasti atskirai pridėtoje garantijos kortelėje.

Gaminys ir naudojimo instrukcija gali būti keičiami. Techniniai duomenys gali būti keičiami ne išankstinio įspėjimo.

Bezvadu litija jonu urbjašīna 20V CDM1141P

Patecamies, ka iegādājāties šo Ferm izstrādājumu. Tādējādi jums tagad ir lielisks izstrādājums, ko izgatavojis viens no Eiropas vadošajiem ražotājiem. Visi izstrādājumi, ko ražojis Ferm, ir izgatavoti atbilstoši visaugstākajiem veiktspējas un drošības standartiem. Mūsu filosofijas pamatā ir arī izcilis klientu apkalpošanas serviss, kas ietilpst mūsu daudzpusīgajā garantijā. Mēs ceram, ka šo izstrādājumu ar prieku lietosiet gadiem ilgi.

1. DROŠĪBAS NORĀDĪJUMI



Izlasiet šeit pievienotos drošības brīdinājumus, papildu drošības brīdinājumus un norādījumus. Ja netiek

ievēroti drošības brīdinājumi un norādījumi, var gūt elektriskās strāvas triecienu, izraisīt ugunsgrēku un/vai gūt smagus ievainojumus. **Saglabājiet drošības brīdinājumus un norādījumus turpmākām uzziņām.**

Šajā lietošanas rokasgrāmatā vai uz instrumenta tiek lietoti šādi apzīmējumi:



Izlasiet lietošanas rokasgrāmatu.



Apzīmē ievainojuma, nāves vai instrumenta bojājuma risku, ja netiek ievēroti šajā rokasgrāmatā sniegtie norādījumi.



Elektriskās strāvas triecienu risks.



Elektroniski regulējams ātrums



Rotācija pa kreiso un pa labi



Nepakļaujiet lietus iedarbībai



Lietošanai tikai telpās



II kategorijas instruments; dubulta izolācija; nav jālieto iezemēta kontaktakša.



Maks. temperatūra: 40° C



Akumulatoru nedrīkst novietot ugunī



Akumulatoru nedrīkst iegremdēt ūdenī



Nododot instrumentu atkritumos, neievietojiet to nepiemērotās tvertnēs.



Litija jonu akumulatoru dalīta savākšana.



Aizkaves miniatūra drošinātāja savienojums



Instrumentu atbilst spēkā esošiem Eiropas direktīvu drošības standartiem.

Papildu drošības brīdinājumi urbjašīnām un skrūvju skrūvgrīžiem Drošības brīdinājumi urbjašīnām

- Urbjot ar triecienspēku, lietojiet ausu aizsargus.** *Trokšņa iedarbībā varat zaudēt dzirdi.*
- Turiet elektroinstrumentu pie izolētā roktura, ja grieznis darba laikā var saskarties ar apslēptu elektroinstalāciju.** *Ja grieznis saskaras ar vadiem, kuros ir strāva, visas instrumenta ārējās metāla virsmas vada strāvu un rada elektriskās strāvas triecienu risku.*
- Pirms darba pareizi satveriet instrumentu.** *Šim instrumentam ir augsts izejas griezes moments, un, ja darba laikā instruments nav pareizi satverts, var zaudēt kontroli pār instrumentu un gūt ievainojumus.*

Drošības norādījumi, ja izmanto garus urbja uzgaļus

- Nekādā gadījumā nestrādājiet ar ātrumu, kas pārsniedz urbja uzgaļa maksimālo nominālo ātrumu.** *Rotējot lielā ātrumā bez saskares ar apstrādājamo materiālu, uzgalis var saliekties, tādējādi izraisot ievainojumus.*
- Vienmēr sāciet urbt mazā ātrumā, un uzgalim ir jāsasaskaras ar apstrādājamo materiālu.** *Rotējot lielā ātrumā bez saskares ar apstrādājamo materiālu, uzgalis var saliekties, tādējādi izraisot ievainojumus.*
- Spiediet uzgali tikai taisnvirzienā uz leju un nespiediet pārāk spēcīgi.** *Uzgalis var saliekties, izraisot bojājumus vai risku zaudēt kontroli pār instrumentu, kā rezultātā var gūt ievainojumus.*

Drošības brīdinājumi akumulatoram

- Neatveriet akumulatoru. *Īssavienojuma risks.*
- Aizsargājiet akumulatoru pret karstuma iedarbību, piemēram, ilgstošu pakļaušanu intensīvien saules stariem, ugunij, ūdenim un mitrumam. *Sprādzienbīstamība.*
- Ja akumulators ir bojāts vai nepareizi lietots, var rasties izgarojumi. Sūdzību gadījumā izvēdiniet darba zonu un meklējiet medicīnisku palīdzību. *Izgarojumi var kairināt elpceļus.*
- Lietojiet akumulatoru tikai kopā ar **Ferm Industrial instrumentu**. *Šis pasākums jau vien aizsargā akumulatoru pret bīstamu pārslodzi.*
- Akumulatoru var sabojāt smaili priekšmeti, piemēram, naglas vai skrūvgrieži, vai ārējā spēja ietekmē. *Var rasties iekšējs īssavienojums, un akumulators var degt, dūmot, uzsprāgt vai pārkarst.*

Drošības brīdinājumi lādētājam

Paredzētā lietošana

Uzlādējiet ar lādētāju tikai CDA1132P un CDA1133P veida uzlādējamus akumulatorus.

Izmantojiet tikai šādus akumulatorus no Ferm Industrial FI20V akumulatoru platformas.

Izmantojot citus akumulatorus, iespējams gūt smagus ievainojumus vai sabojāt instrumentu.

CDA1132P 20 V, 2 Ah litija jonu
CDA1133P 20 V, 4 Ah litija jonu

Šo akumulatoru uzlādēšanai var lietot šādu lādētāju.
CDA1131P Ātrais lādētājs

Akumulatori no Ferm Industrial FI20V akumulatoru platformas ir saderīgi ar visiem Ferm Industrial FI20V akumulatoru platformas instrumentiem.

Atlikušie riski

Pat tad, ja elektroinstrumentu lieto atbilstīgi norādījumiem, nav iespējams novērst visus atlikušo risku faktoros. Saistībā ar elektroinstrumenta konstrukciju un uzbūvi var pastāvēt šādi riski:

- kaitējums veselībai vibrācijas iedarbības rezultātā, ja elektroinstrumentu ilgstoši ekspluatē, ja ar to nepareizi apietas vai ja tam neveic pienācīgu apkopi;
- ievainojumi un īpašuma bojājumi salūzušu piederumu dēļ, kuri negaidot tiek izsviesti gaisā.



Brīdinājums! Šis elektroinstrumenta darba laikā rada elektromagnētisko lauku. Dažos gadījumos šis lauks var iedarboties uz aktīviem un pasīviem medicīniskajiem implantiem. Lai mazinātu smaga vai nāvējoša ievainojuma risku, personām, kam ir medicīniskie implantī, pirms šī elektroinstrumenta lietošanas ir ieteicams konsultēties ar ārstu un medicīniskā implanta ražotāju.

Barošanas vada nomainīšana

Ja barošanas vads ir bojāts, to drīkst nomainīt tikai ražotājs, tā servisa pārstāvis vai tamlīdzīgi kvalificēta persona, lai novērstu bīstamību.

2. INSTRUMENTA DATI

Paredzētā lietošana

Šī bezvadu urbjmašīna ir paredzēta skrūvju ieskrūvēšanai un izskrūvēšanai, kā arī urbšanai koksnē, metālā un plastmasā.

Tehniskie dati

Instruments	CDM1141P
Spriegums	20 V
Spīlpatronas platums	1,5-13 mm
Ātrums bez noslodzes	
1. pozīcija:	0-450 /min
2. pozīcija:	0-1700 /min
Maks. griezes moments	50 Nm
Griezes momenta iestatījumi	21 + urbšanas režīms
Svars (bez akumulatora)	1,24 kg
Skaņas spiediena līmenis	L_{pA} 92 dB(A), K=3dB(A)
Skaņas jaudas līmenis	L_{WA} 103 dB(A), K=3dB(A)
Vibrācija	2,93 m/s ² K=1,5 m/s ²

Lādētājs	CDA1131P
Lādētāja ieejas jauda	100–240 VAC, 50–60 Hz, 50 W
Lādētāja izejas jauda	20 V, 2 A
Uzlādes laiks 2 Ah akumulatoram	60 minūtes
Uzlādes laiks 4 Ah akumulatoram	120 minūtes
Ieteicamie akumulatori	CDA1132P, CDA1133P
Svars	0,36 kg

Akumulators	CDA1132P
Akumulatora veids	Litija jonu
Spriegums	20 V
Kapacitāte	2,0 Ah
Ieteicamais lādētājs	CDA1131P
Svars	0,38 kg

Vibrāciju līmenis

Šajā lietošanas rokasgrāmatā norādītā vibrāciju emisijas vērtība ir izmērīta saskaņā ar standarta pārbaudes metodi, kas norādīta EN 62841, un to var izmantot viena instrumenta salīdzināšanai ar citu un tam, lai iepriekš novērtētu vibrācijas iedarbību, ja instrumentu lieto iepriekš minēto darbu veikšanai:

- vibrāciju iedarbība var būt ievērojami lielāka, ja instrumentu lieto citu darbu veikšanai, ja tam uzstāda citus piederumus vai ja uzstādītajiem piederumiem nav veikta pietiekami laba apkope;
- vibrācijas iedarbība var būt ievērojami mazāka tajā laikā, kad instruments ir izslēgts vai darbojas tukšgaitā.

Pasargājiet sevi no vibrācijas iedarbības, veicot instrumenta un piederumu apkopi, rūpējoties, lai rokas būtu siltas un organizējot darba gaitu.

Apraksts

Tekstā norādītie numuri attiecas uz 2.-3. lpp. redzamajiem attēliem.

A. att.

1. instruments
2. akumulators
3. akumulatora atbloķēšanas poga
4. akumulatora uzlādes indikators
5. lādētājs
6. lādētāja gaismas diožu indikatori
7. spīlpatrona
9. pārnese izvēles slēdzis
10. virzienu slēdzis
11. ieslēgšanas/izslēgšanas slēdzis
12. griezes momenta regulēšanas ripa
13. darba lukturis
14. siksnas āķis

3. EKSPLUATĀCIJA



Akumulators ir jāuzlādē pirms to lieto pirmoreiz.

Akumulatora izņemšana no instrumenta B. att.

- Ar vienu roku cieši turiet instrumentu (1)
- Ar vienu roku spiediet akumulatora atbloķēšanas pogu (3), kas atrodas akumulatora (2) aizmugurē.
- Turiet nospiestu šo pogu (3) un stumiet akumulatoru atpakaļ ārā no instrumenta, kā norādīts B. attēlā.

Akumulatora ievietošana instrumentā B. att.



Pirms akumulatora pievienošanas lādētājam vai ievietošanas instrumentā pārbaudiet, vai tā ārējā virsma ir tīra un sausa.

- Ar vienu roku cieši turiet instrumentu (1)
- Ievietojiet akumulatoru (2) instrumenta pamatnē, kā norādīts B. attēlā.
- Spiediet akumulatoru dziļāk iekšā, līdz tas nofiksējas.

Akumulatora uzlādes stāvokļa pārbaude C. att.



Komplektācijā esošais akumulators tiek piegādāts daļēji uzlādētā stāvoklī.

- Lai pārbaudītu akumulatora uzlādes stāvokli, īsi nospiediet akumulatora pogu (4).
- Akumulatoram ir 3 gaismas diodes, kas liecina par uzlādes stāvokli - jo vairāk diožu deg, jo vairāk jaudas ir atlicis akumulatorā.

Akumulatora uzlādēšana (ar lādētāju) C. att.

- Izņemiet akumulatoru (2) no instrumenta.
- Apvēršiet akumulatoru (2) otrādi un iespiediet to lādētājā (5), kā norādīts C. attēlā.
- Spiediet akumulatoru iekšā, līdz tas ir pilnībā ir iespiests instrumentā.
- Pievienojiet lādētāju barošanas avota kontaktligzdai un nogaidiet brīdi. Iedegas lādētāja gaismas diožu indikatori (6), norādot, ka notiek uzlādēšana.

Gaismas diožu indikatori (6)

C. att.

Lādētājam ir 2 uzlādes indikatori (6), kas liecina par uzlādēšanas procesa statusu:

Sarkanas gaismas diodes statuss:	Zaļas gaismas diodes statuss:	Lādētāja statuss
Izsl.	Izsl.	Nav pievienota barošana
Izsl.	Izsl.	Gaidīšanas režīms: -nav ievietots akumulators vai -akumulators ir ievietots, bet uzlādēšana ir pabeigta vairāk nekā pirms 2 stundām.
Mirgo	Mirgo	Akumulators ir bojāts
Izsl.	Mirgo	Notiek akumulatora uzlādēšana
Izsl.	Izsl.	Akumulatora uzlādēšana ir pabeigta, akumulators ir pilnībā uzlādēts
Mirgo	Izsl.	Akumulators ir pārāk karsts, uzlāde tiek atlikta. Uzlādes process tiek automātiski atsākts, tiklīdz akumulators ir atdzisis.

- Akumulators tiek pilnībā uzlādēts 60 minūšu laikā.
- Kad akumulators ir pilnībā uzlādēts, atvienojiet lādētāju no barošanas avota kontaktlīdzdas un izņemiet akumulatoru no lādētāja.
- Akumulatoru var novietot glabāšanā vai ievietot instrumentā.



Litija jonu akumulatorus iespējams ilgstoši glabāt, nezaudējot daudz tā jaudas. Ja instruments netiek ilglaicīgi ekspluatēts, ieteicams glabāt akumulatoru uzlādētā stāvoklī.

Urbja vai skrūvgrieža uzgaļa uzstādīšana un noņemšana

A. att.



Pirms piederuma uzstādīšanas akumulators ir jānoņem.

Spļpatrona (7) ir piemērota urbja un skrūvgrieža uzgaļiem ar apaļu un sešstūru kātu.

- Ar vienu roku cieši turiet instrumentu
- Atveriet spļpatronu (7), ar vienu roku griežot spļpatronas uznavu pulksteņrādītāja virzienā, līdz tā ir atvērta tik daudz, lai varētu ievietot uzgali.
- Ievietojiet urbja vai skrūvgrieža uzgaļa kātu.
- Pievelciet spļpatronu, stingri griežot spļpatronas uznavu pretēji pulksteņrādītāja virzienam.
- Pārbaudiet, vai uzgalis ir labi iecentrēts, īsi ieslēdzot instrumenta ieslēgšanas/izslēgšanas slēdzi.

Pārnesumu pārslēgšana

A. att.



Pārnesumus nedrīkst pārslēgt, kamēr darbojas dzinējs, citādi var sabojāt instrumentu.



Nedrīkst slēdzi novietot pa vidu starp abām pozīcijām, citādi var sabojāt instrumentu.

Instrumentam ir 2 urbšanas ātrumi, ko var mainīt, bīdot pārnesumu slēdzi (9) uz priekšu vai atpakaļ. Cipars uz pārnesumu slēdža (9) norāda izvēlēto pozīciju.

- 1. pozīcija: lēnai urbšanai, lielam urbšanas diametram un skrūvju ieskrūvēšanai. Mazā ātrumā instruments darbojas ar lielu jaudu.
- 2. pozīcija: ātrai urbšanai un mazam urbšanas diametram.

Rotācijas virziena mainīšana

A. att.

- Iestatiet virzienu slēdzi (10) pozīcijā '←', lai ieskrūvētu skrūves vai izmantotu instrumentu urbšanai.
- Iestatiet virzienu slēdzi (10) pozīcijā '→', lai izskrūvētu skrūves.

Instrumenta ieslēgšana un izslēgšana

A. att.

Ar ieslēgšanas/izslēgšanas slēdzi (11) iedarbina instrumentu un regulē rotācijas ātrumu.

- Nospiežot ieslēgšanas/izslēgšanas slēdzi (11), tiek ieslēgts instruments. Jo vairāk slēdzi nospiež, jo ātrāk urbjamā mašīna griežas.
- Lai izslēgtu instrumentu, atlaidiet ieslēgšanas/izslēgšanas slēdzi (11).

- Lai nobloķētu ieslēgšanas/izslēgšanas slēdzi, iestatiet virzienu slēdzi (10) vidējā pozīcijā. Šajā pozīcijā ieslēgšanas/izslēgšanas slēdzi nevar nospiest.
- Tas automātiski ieslēdzas, kad nospiež ieslēgšanas/izslēgšanas slēdzi.
- Tas automātiski izslēdzas, kad atlaiž ieslēgšanas/izslēgšanas slēdzi.



Instrumentu drīkst novietot zemē tikai tad, kad tas ir pilnībā pārstājis darboties. To nedrīkst novietot uz putekļainas virsmas, jo mehānismā var iekļūt putekļu daļiņas.

Griezes momenta regulēšana

A. att.

Instrumentam ir dažādi griezes momenta iestatījumi un īpašs urbšanas režīms, ar kuriem regulē jaudu, ko pārnes uz spīlpatronu.

Pagriežot griezes momenta regulēšanas ripu (12) kādā no pozīcijām, skrūves var ieskrūvēt iepriekšnoteiktā dziļumā, kas ir ļoti parocīgi, ja ir jāieskrūvē vairākas skrūves. Jo lielāks cipars, jo lielāks griezes moments.

- Zema griezes momenta iestatījums ir paredzēts mazām skrūvēm un mīkstum apstrādājamajam materiālam.
- Augsta griezes momenta iestatījums ir paredzēts lielām skrūvēm, cietam apstrādājamajam materiālam un skrūvju izskrūvēšanai.
- Ieskrūvējot skrūves, ieteicams izvēlēties pēc iespējas zemāku griezes momenta iestatījumu. Ja dzinējs sāk slīdēt pirms skrūve ir ieskrūvēta līdz galam, iestatiet lielāku griezes momentu.
- Urbšanas darbiem pagrieziet griezes momenta regulēšanas ripu (12) urbšanai paredzētajā iestatījumā, līdz galam pagriežot pretēji pulksteņrādītāja virzienam.



Urbšanas darba laikā virzienu slēdzim (10) vienmēr ir jāatrodas pozīcijā '←'.



Instrumenti ir aprīkoti ar aizsardzību pret pārslodzi. Ja instrumentam rodas pārslodze, tas tiek automātiski izslēgts. Ja tā notiek, nogaidiet vismaz 5 sekundes, kamēr aizsardzība pret pārslodzi tiek atiestatīta.

Darba lukturis (13)

A. att.

Instrumenti ir aprīkoti ar darba lukturi, lai izgaismotu darba zonu.

Jostas āķis (14)

A. att.

Instrumenti ir aprīkoti ar jostas āķi, lai instrumentu darba laikā varētu piekārt jūsu apģērba jostai.



Virzienu slēdzis (10) ir jāiestata vidējā pozīcijā, lai nevarētu nejauši ieslēgt instrumentu.

- Jostas āķis (14) sākotnēji ir piestiprināts instrumenta kreisajā pusē.
- To var atvienot, atskrūvējot āķa skrūvi.
- Tad to pēc vajadzības var piestiprināt instrumenta labajā pusē.

Noderīgi padomi

Skrūvju ieskrūvēšana koksnē, metālā un citos materiālos:

- pirms instrumenta ekspluatācijas pārbaudiet, vai urbja vai skrūvgrieža uzgalis ir pareizi ievietots un iecentrēts spīlpatronā;
- ir pieejami dažādu formu un izmēru skrūvgrieža uzgaļi. Ja nezināt, vai attiecīgais uzgalis ir piemērots instrumentam, pirms uzstādīšanas pārbaudiet, vai tas cieši iegulst skrūves galviņā bez jebkāda brīvgājiena;
- pieliekot instrumentu pie skrūves, tam ir jābūt izslēgtam, jo, ja uzgalis griežas, tas var noslīdēt nost. Rezultātā var sabojāt apstrādājamo materiālu;

Urbšana koksnē, metālā un citos materiālos:

- Urbja uzgaļiem ar mazu diametru lietojiet lielu urbšanas ātrumu. Urbja uzgaļiem ar lielu diametru lietojiet mazu urbšanas ātrumu.
- Cietiem apstrādājamajiem materiāliem izvēlieties mazu urbšanas ātrumu, mīkstiem apstrādājamajiem materiāliem izvēlieties lielu urbšanas ātrumu.
- Pareizi nostipriniet apstrādājamo materiālu, vēlams - ar skavu vai skrūvspīlēm.
- Urbjot regulāri izvelciet urbja uzgali ārā no urbjamā cauruma, lai iztīrītu skaidas.

Urbšana metālā:

- lietojiet metāla urbja uzgali (HSS). Ieteicams dzesēt uzgali ar eļļu.
- Metāla uzgaļus (HSS) var izmantot arī urbšanai plastmasā.

4. APKOPE



Pirms tīrīšanas un apkopes instruments ir jāizslēdz un no tā jāizņem akumulators.

Ar mīkstu lupatiņu regulāri - ieteicams, pēc katras ekspluatācijas reizes - iztīriet instrumenta korpusu. Regulāri iztīriet putekļus un neīrumus no ventilācijas atverēm. Ļoti noturīgus traipus tīriet ar ziepjūdeni samērcētu mīkstu lupatiņu. Nelietojiet nekādus šķīdumus, piemēram, benzīnu, spirtu, amonjaku, u.c. Šāda veida ķīmiskās vielas sabojās sintētiskās detaļas.

APKĀRTĒJĀ VIDE



Bojāta un/vai nolietota elektriskā vai elektroniskā aparātūra jānogādā piemērotā utilizācijas centrā.

Tikai EK valstīm

Neizmetiet elektroinstrumentus sadzīves atkritumos. Saskaņā ar Eiropas Direktīvu 2012/19/EK par elektrisko un elektronisko iekārtu atkritumiem un īstenojot to saskaņā ar valsts tiesību aktiem, visi elektroinstrumenti, kam beidzies ekspluatācijas laiks, jāsavāc atsevišķi un jānodod videi nekaitīgā pārstrādes iekārtā.

GARANTIJA

Garantijas nosacījumi ir izklāstīti atsevišķā garantijas kartē, kas pievienota šai rokasgrāmatai.

Instrumenti var tikt pārveidoti un lietošanas rokasgrāmata var tikt izdarīti grozījumi. Tehniskie dati var tikt mainīti bez iepriekšēja brīdinājuma.

Mašīna de înșurubat și găurit cu acumulator Li-Ion de 20V CDM1141P

Vă mulțumim că ați achiziționat acest produs Ferm. Procedând astfel, aveți acum un produs excelent, livrat de unul din cei mai importanți furnizori din Europe. Toate produsele livrate de Ferm sunt fabricate respectând cele mai înalte standarde de performanță și siguranță. De asemenea, ca parte a filosofiei noastre, asigurăm servicii de asistență excelente și o garanție cuprinzătoare. Sperăm să utilizați cu plăcere acest produs în anii ce urmează.

1. INSTRUCȚIUNI DE SIGURANȚĂ



Citiți avertizările de siguranță, avertizările de siguranță suplimentare și instrucțiunile. Nerespectarea

avertizărilor de siguranță poate cauza producerea de electrocutări, incendii și/sau răniri grave.

Păstrați avertizările de siguranță și instrucțiunile pentru referințe viitoare.

În manualul de utilizare sau pe produs se utilizează următoarele simboluri:



Citiți manualul de utilizare.



Indică riscul de rănire personală, pierderea vieții sau deteriorarea sculei în cazul în care nu se respectă instrucțiunile din acest manual.



Pericol de electrocutare



Turație variabilă electronic



Rotație, stânga/dreapta



Nu utilizați în ploaie



Destinat utilizării în interior



Mașină clasa II - Izolație dublă - Nu aveți nevoie de nicio priză de împământare.



Max 40°C

Temperatură maximă 40°C



Nu aruncați bateria în foc



Nu aruncați bateria în apă



Nu scoateți din uz produsul în containere neadekvate.



Colectare separată pentru bateria Li-ion.



Siguranță fuzibilă cu timp de întârziere



Produsul este în conformitate cu standardele de siguranță aplicabile din directivele europene.

Avertizări de siguranță suplimentare pentru mașini de găurit și șurubelnițe

Avertismente de siguranță privind mașinile de găurit

- Purtați echipament de protecție pentru urechi în cazul utilizării mașinii de găurit cu impact.** Expunerea la zgomot poate determina pierderea auzului.
- Țineți unealta electrică de suprafețele izolate pentru prindere atunci când efectuați o operație în care accesoriile de debitare pot atinge cabluri ascunse.** Tăierea unui cablu sub tensiune de către accesoriul de debitat ar putea determina scurgerea curentului în componentele metalice expuse ale uneltei electrice și ar putea electrocuta operatorul.
- Înainte de utilizare, strângeți unealta în mod corect.** Această unealtă are un cuplu de ieșire ridicat și fără o strângere corectă în timpul utilizării, poate interveni pierderea controlului care poate duce la vătămări corporale.

Instrucțiuni de siguranță la utilizarea unor burghie lungi

- Nu utilizați niciodată la o turație mai mare decât cea maximă a burghiului.** La turații mai mari, este probabil ca burghiul să se îndoiească dacă îi este permis să se rotească liber fără a contacta piesa de prelucrat, ducând la vătămări corporale.

- Începeți întotdeauna găurirea la turație mică și cu vârful burghiului în contact cu piesa de prelucrat.** La turații mai mari, este probabil ca burghiul să se îndoiească dacă îi este permis să se rotească liber fără a contacta piesa de prelucrat, ducând la vătămări corporale.
- Aplicați presiune numai în linie dreaptă cu burghiul și nu aplicați presiune excesivă.** Burghiile se pot îndoii, provocând ruperea sau pierderea controlului, ducând la vătămări corporale.

Avertismente de siguranță pentru baterie

- Nu deschideți bateria.** Pericol de scurtcircuit.
- Protejați bateria împotriva căldurii, de ex. împotriva expunerii puternice la soare, foc, apă și umiditate.** Pericol de explozie.
- În cazul deteriorării și utilizării necorespunzătoare a bateriei, pot fi emiși vapori.** Ventilați zona și solicitați asistență medicală în caz de sesizări. Vaporii pot irita sistemul respirator.
- Utilizați bateria numai împreună cu produsul dvs. Ferm Industrial.** Numai această măsură protejează bateria împotriva supraîncălzirii periculoase.
- Bateria poate fi deteriorată de obiecte ascuțite, cum ar fi cuie sau șurubelnițe sau prin forță aplicată extern.** Poate apărea un scurtcircuit intern și bateria poate arde, exploda sau supraîncălzi.

Avertismente de siguranță pentru stații de încărcare

Domeniu de utilizare

Încărcați numai cu încărcătoare de tipurile CDA1132P și CDA1133P Acumulatori cu încărcător.

Utilizați numai următoarele baterii ale platformei Ferm Industrial FI20V. Utilizarea altor baterii poate provoca vătămări corporale grave sau defectarea uneltei.

CDA1132P	20V, 2Ah Litiu-Ion
CDA1133P	20V, 4Ah Litiu-Ion

Următorul încărcător al dispozitivului poate fi utilizat pentru a încărca aceste baterii.

CDA1131P	Încărcător rapid
----------	------------------

Bateriile platformei Ferm Industrial FI20V sunt interschimbabile cu toate uneltele Ferm Industrial FI20V.

Riscuri reziduale

Chiar și atunci când scula electrică este folosită conform indicațiilor, nu este posibilă eliminarea tuturor riscurilor reziduale.

Următoarele pericole pot apărea în legătură cu alcătuirea și proiectarea sculelor:

- Probleme de sănătate cauzate de emisia de vibrații, în cazul în care scula electrică este utilizată pe o perioadă mai lungă de timp sau nu este păstrată și întreținută corespunzător.
- Răni și daune materiale cauzate de accesoriile rupte care sunt întrerupte brusc.



Avertizare! *Această sculă electrică produce un câmp electromagnetic în timpul operării. Acest câmp poate, în anumite circumstanțe, să interfereze cu implanturile medicale active sau pasive. Pentru a reduce riscul de accidente grave sau mortale, recomandăm persoanelor cu implanturi medicale să consulte medicul și producătorul implantului înainte de a utiliza această sculă electrică.*

Înlocuirea cablului de alimentare

În cazul în care cablul de alimentare este deteriorat, acesta trebuie înlocuit de către producător, de către agentul de service sau de către persoane calificate în mod similar, pentru a evita pericolele.

2. INFORMAȚII CU PRIVIRE LA MAȘINA

Domeniul de utilizare

Mașina de înșurubat și găurit este concepută pentru înșurubarea și slăbirea șuruburilor, precum și pentru găurirea lemnului, metalului și plasticului.

Specificații tehnice

Mașină	CDM1141P
Tensiune	20V
Capacitate a mandrinei	1,5-13 mm
Turație la mers în gol	
Poziția 1:	0-450 /min
Poziția 2:	0-1700 /min
Cuplu maxim	50 N.m.

Setări de cuplu	21 + Mod de găurire
Greutate (fără acumulator)	1,24 kg
Nivel presiune sonoră	L_{pA} 92 dB(A), K=3dB(A)
Nivel putere sonoră	L_{WA} 103 dB(A), K=3dB(A)
Vibrație	2,93 m/s ² K=1,5 m/s ²

Încărcător	CDA1131P
Intrare încărcător	100-240VAC 50-60Hz, 50W
Ieșire încărcător	20V 2A
Timpe de încărcare acumulator 2Ah	60 minute
Timpe de încărcare acumulator 4Ah	120 minute
Acumulatori recomandați	CDA1132P, CDA1133P
Masa	0.36 kg

Acumulator	CDA1132P
Tip acumulator	Lithiu-Ion
Tensiune	20V
Capacitate	2.0 Ah
Încărcător recomandat	CDA1131P
Masă	0,38 kg

Nivelul vibrațiilor

Nivelul emisiilor de vibrații menționat în acest manual de instrucțiuni a fost măsurat în conformitate cu un test standardizat precizat în EN 62841; poate fi folosit pentru a compara o sculă cu alta și ca evaluare preliminară a expunerii la vibrații atunci când folosiți scula pentru aplicațiile menționate.

- Utilizarea sculei pentru aplicații diferite sau cu accesorii diferite și prost întreținute, poate crește semnificativ nivelul de expunere.
- Momentele în care scula este oprită sau când funcționează dar nu execută nicio lucrare, pot reduce semnificativ nivelul de expunere.

Protejați-vă împotriva efectelor vibrațiilor prin întreținerea sculei și a accesoriilor sale, păstrând mâinile calde și organizând procesele de lucru.

Descriere

Numerele din text se referă la diagramele de la paginile 2 - 3

Fig. A

1. Mașina
2. Acumulator
3. Buton deblocare acumulator
4. Indicator încărcare acumulator
5. Încărcător
6. Indicatori LED încărcător
7. Mandrină
9. Comutator selectare viteză
10. Comutator direcție
11. Comutator pornire/oprire
12. Inel de reglare cuplu
13. Lumină de lucru
14. Cârlig de agățare la curea

3. UTILIZARE



Înainte de prima utilizare, acumulatorul trebuie să fie încărcat.

Scoaterea acumulatorului din mașină

Fig. B

- Țineți bine mașina (1) cu o mână
- Cu cealaltă mână apăsați butonul de deblocare a acumulatorului (3) localizat în partea din spate a acumulatorului (2).
- Continuați să apăsați acest buton (3) și glisați acumulatorul înapoi până îl scoateți din mașină, așa cum este indicat în Fig. B.

Introducerea acumulatorului în mașină

Fig. B



Asigurați-vă că exteriorul acumulatorului este curat și uscat înainte de a îl conecta la acumulator sau la mașină.

- Țineți bine mașina (1) cu o mână
- Introduceți acumulatorul (2) în suportul mașinii, așa cum este indicat în Fig. B.
- Apăsați acumulatorul până când se fixează în poziție.

Verificarea nivelului de încărcare a acumulatorului

Fig. C



Acumulatorul inclus este livrat parțial încărcat.

- Pentru a verifica nivelul de încărcare a acumulatorului, apăsați scurt butonul (4) de pe acumulator.
- Acumulatorul este prevăzut cu 3 lumini care indică nivelul de încărcare, numărul de lumini aprinse semnifică gradul de încărcare a bateriei.

Încărcarea acumulatorului (folosind încărcătorul)

Fig. C

- Scoateți acumulatorul (2) din mașină
- Întoarceți invers acumulatorul (2) și împingeți-l în încărcător (5), așa cum este indicat în Fig. C.
- Apăsați acumulatorul până când este introdus complet în locaș.
- Conectați mufa încărcătorului la o priză electrică și așteptați o perioadă. Indicatorii LED de pe încărcător (6) se vor aprinde și vor indica nivelul de încărcare.

Indicatori LED (6)

Fig. C

Încărcătorul are 2 indicatori LED (6), care indică nivelul procesului de încărcare:

Stare LED roșu:	LED verde stare:	Stare încărcător
Oprit	Oprit	Fără alimentare
Pornit	Oprit	Mod de așteptare: - Nu este niciun acumulator introdus sau, - Acumulatorul este introdus, însă încărcarea s-a finalizat în urmă cu mai mult de 2 ore
Intermitent	Intermitent	Acumulator defect
Pornit	Intermitent	Încărcare acumulator în progres
Pornit	Pornit	Încărcare acumulator terminată, acumulatorul este încărcat complet
Intermitent	Oprit	Acumulatorul este prea fierbinte, procesul de încărcare este în așteptare. Încărcarea va porni automat după răcirea acumulatorului.

- Încărcarea completă a acumulatorului poate dura până la 60 minute.
- După încărcarea completă a acumulatorului, scoateți mufa încărcătorului din priză și îndepărtați acumulatorul din încărcător.

- Bateria poate fi depozitată sau poate fi direct instalată în mașină.



Celulele Li-Ion pot fi depozitate o perioadă lungă de timp, fără să își piardă semnificativ puterea de încărcare. Atunci când nu folosiți mașina, este indicat să depozitați acumulatorul în stare încărcată.

Montarea și demontarea burghiilor sau a biturilor de șurubelniță

Fig. A



Înainte de monta un accesoriu, scoateți întotdeauna acumulatorul.

Mandrina (7) este adecvată pentru burghiile și biturile de șurubelniță cu ax rotund sau hexagonal.

- Țineți bine mașina cu o mână
- Deschideți mandrina (7) rotind manșonul mandrinei în sens orar cu cealaltă mână, până când se deschide suficient pentru a introduce bitul înăuntru.
- Introduceți axul burghiului sau bitul de șurubelniță
- Strângeți din nou mandrina rotind manșonul mandrinei în sens antiorar.
- Verificați dacă bitul este bine centrat apăsând rapid comutatorul de pornire/oprire a mașinii.

Reglarea treptelor de viteză

Fig. A



Nu schimbați niciodată treptele de viteză când motorul este în funcțiune, întrucât acest lucru poate deteriora mașina.



Nu aduceți niciodată comutatorul în mijloc, între poziții, întrucât acest lucru poate deteriora mașina

Mașina are 2 viteze de găurire, care pot fi reglate prin glisarea comutatorului de viteză (9) înainte și înapoi. Numărul de pe comutatorul de viteză (9) indică poziția selectată.

- Poziția 1: Pentru găurirea ușoară, diametru mare de găurire sau înșurubare. Mașina are putere mare la viteză redusă.
- Poziția 2: Pentru găurire rapidă sau diametru mic de găurire

Reglarea direcției de rotație

Fig. A

- Setează comutatorul de direcție (10) în poziția „←” pentru a introduce șuruburile sau pentru găurire.
- Setează comutatorul de direcție (10) în poziția „→” pentru a îndepărta șuruburile.

Pornirea și oprirea mașinii

Fig. A

Comutatorul de pornire/oprire (11) este utilizat pentru acționarea mașinii și reglarea vitezei de rotație.

- Apăsarea comutatorului pornire/oprire (11) va acționa mașina, cu cât este apăsat mai tare comutatorul, cu atât viteza de găurire va crește.
- Eliberarea comutatorului pornire/oprire (11) va opri mașina.
- Deplasați comutatorul de inversare a direcției (10) în poziția de mijloc pentru a bloca deplasarea comutatorului de pornire/oprire. Acesta nu poate fi acționat în această poziție.



Așezați mașina numai după ce s-a oprit complet din funcțiune. Nu o așezați pe o suprafață prăfuită, deoarece particulele de praf pot pătrunde în mecanism.

Reglarea cuplului de torsiune

Fig. A

Mașina este prevăzută cu de setări diferite pentru cuplul de torsiune și un mod de găurire specială, pentru a seta puterea transmisă la mandrină.

Prin rotirea inelului de reglare a cuplului (12), șuruburile pot fi introduse la o adâncime predeterminată, care este ideală în cazul unor sarcini repetitive. Cu cât numărul este mai mare, cu atât mai multe cupluri de torsiune vor fi transmise.

- Selectați o setare redusă în cazul șuruburilor mici sau a materialului de lucru moale.
- Selectați o setare ridicată în cazul șuruburilor mari, materialelor de lucru dure și în situațiile în care îndepărtați șuruburi.
- Atunci când introduceți șuruburi, este de preferat să selectați o setare cât se poate de redusă. Selectați o setare mai mare dacă motorul alunecă înainte ca șurubul să fie complet strâns.
- Pentru găurire, rotiți în sens antiorar inelul de reglare a cuplului (12) la setarea pentru găurire.



Comutatorul de direcție (10) trebuie să fie întotdeauna setat pe ← în timpul găuririi.



Mașina este prevăzută cu o funcție de protecție la suprasarcină. Când mașina detectează o suprasarcină, aceasta se oprește automat. Când se întâmplă acest lucru, vă rugăm așteptați cel puțin 5 secunde pentru a permite resetarea funcției de protecție la suprasarcină.

Lumina de lucru (13)

Fig. A

Mașina este dotată cu o lumină de lucru pentru a lumina zona de lucru.

- Aceasta se aprinde automat când este apăsat comutatorul pornire/oprire.
- Aceasta se închide automat când este eliberat comutatorul pornire/oprire.

Cârlig de agățare la curea (14)

Fig. A

Mașina este prevăzută cu un cârlig de agățare la curea, pentru a agăța mașina de cureaua dumneavoastră în timpul utilizării.



Pentru a evita pornirea accidentală a mașinii, aduceți întotdeauna comutatorul de direcție (10) în poziția de mijloc.

- La livrare, cârligul de agățare la curea (14) este asamblat în partea stângă a mașinii.
- Acesta poate fi îndepărtat cu ușurință prin scoaterea șurubului de pe cârlig.
- Acesta poate fi asamblat în partea dreaptă a mașinii, după preferințe.

Sfaturi pentru utilizator

Atunci când găuriți lemn, metal sau alte materiale:

- Înainte de a utiliza aparatul, verificați dacă burghiul sau bitul este fixat corespunzător și este centrat în interior mandrinei.
- Biturile de șurubelniță sunt disponibile în mai multe forme și dimensiuni. Când nu sunteți sigur, întotdeauna înainte de a folosi mașina verificați dacă bitul se potrivește pe capătul șurubului, fără să existe spațiu liber.
- Asigurați-vă că mașina nu este în funcțiune atunci când atinge șurubul. Bitul care se rotește poate aluneca. Acest lucru poate duce la deteriorarea piesei de prelucrare.

Atunci când găuriți lemn, metal sau alte materiale:

- În cazul burghiilor cu diametru mic, folosiți o viteză ridicată de găurire. În cazul burghiilor cu diametru mare, folosiți o viteză redusă de găurire.
- Pentru materialele dure selectați o viteză redusă de găurire, pentru materialele moi selectați o viteză ridicată de găurire.
- Fixați corespunzător piesa de prelucrare, de preferință cu o clemă sau o menghină.
- În timpul găuririi, scoateți frecvent burghiul din orificiu, pentru a îndepărta așchiile sau praful.

Atunci când găuriți în metal:

- Folosiți un burghiu pentru metal (HSS). Pentru rezultate optime, ar trebui să răciți bitul cu ulei.
- Burghiile pentru metal (HSS) pot fi utilizate și pentru găurirea în plastic.

4. ÎNTREȚINERE



Înainte de curățare și întreținere, opriți alimentarea electrică a mașinii și scoateți acumulatorul din mașină.

Curățați regulat carcasa cu o cârpă moale, de preferat după fiecare utilizare. Curățați fantele de aerisire de praf și murdărie. Îndepărtați murdăria persistentă cu o cârpă moale înmuiată în clăbuci de săpun. Nu folosiți solvenți precum benzină, alcool, amoniac, etc. Astfel de substanțe chimice vor deteriora componentele sintetice.

MEDIU



Aparatele electrice sau electronice deteriorate și/sau defecte trebuie colectate în locurile de reciclare corespunzătoare.

Numai pentru țările din CE

Nu aruncați echipamentele acționate electric împreună cu gunoii menajer. Conform Indicației europene 2012/19/EU pentru echipamente electrice și electronice uzate și a implementării sale la nivel național, echipamentele acționate electric scoase din uz trebuie colectate separat și evacuate într-o manieră ecologică.

GARANȚIE

Condițiile de garanție pot fi găsite pe certificatul de garanție inclus separat.

Produsul și manualul de utilizare pot suferi modificări. Specificațiile se pot modifica fără notificare prealabilă.

Безжична литиево-йонна бормашина 20V CDM1141P

Благодарим ви, че купихте този продукт от Ferm. По този начин вече разполагате с отличен продукт, доставен от един от водещите европейски доставчици. Всички продукти, доставяни от Вас на Ferm, са произведени според най-високите стандарти за безопасност и безопасност. Като част от нашата философия ние предлагаме и отлично обслужване на клиентите, подкрепено от нашата изчерпателна гаранция. Надяваме се, че ще се радвате да използвате този продукт в продължение на много години напред.

1. ИНСТРУКЦИИ ЗА БЕЗОПАСНОСТ



Прочетете приложените предупреждения за безопасност, допълнителните предупреждения за безопасност и инструкциите. Неспазването на предупрежденията за безопасност и инструкциите може да доведе до токов удар, пожар и / или сериозно нараняване. Запазете предупрежденията за безопасност и инструкциите за бъдещи справки.

Следните символи се използват в ръководството за потребителя или върху него:



Прочетете ръководството за потребителя.



Обозначава риск от нараняване, загуба на живот или повреда на инструмента в случай на неспазване на указанията в това ръководство.



Риск от токов удар



Променлива електронна скорост



Завъртане, наляво / надясно



Да не се използва при дъжд



Само на закрито



Машина клас II - Двойна изолация -
Нямате нужда от заземен щекер.



Максимална температура 40 ° C



Не изхвърляйте батерията в огън



Не хвърляйте батерията във вода



Не изхвърляйте продукта в
неподходящи контейнери.



Отделно събиране на литиево-йонна
батерия.



Време-закъснение миниатюрни
предпазители



Продуктът е в съответствие с
приложимите стандарти за безопасност
в европейските директиви.

Допълнителни предупреждения за безопасност за бормашини и отвертки

Предупреждения за безопасност на бормашината

- Носете предпазни средства за слуха при ударно пробиване. Излагането на шум може да доведе до загуба на слуха.
- Дръжте електроинструмента за изолираните захващащи повърхности при извършване на операцията, при която аксесоарът за рязане може да се допира до скрити кабели. Досега на режещ аксесоар с "жив" проводник може да зареди с електричество изложените метални части на електроинструмента и така да причини токов удар на оператора.
- Подпрете инструмента правилно преди употреба. Този инструмент произвежда висок въртящ момент и без правилно затягане на инструмента по време на работа може да се получи загуба на контрол, което да доведе до нараняване.

Инструкции за безопасност при използване на дълги свредла

- Никога не работете на по-висока скорост от максималната скорост на свредлото. При по-високи скорости свредлото има вероятност да се огъне, ако се остави да се върти свободно, без да докосва детайла, което да доведе до нараняване.
- Винаги започвайте пробиването на ниска скорост и с върха на свредлото в контакт с детайла. При по-високи скорости свредлото има вероятност да се огъне, ако се остави да се върти свободно, без да докосва детайла, което да доведе до нараняване.
- Прилагайте натиск само в права линия със свредлото и не прилагайте прекомерен натиск. Свредлата могат да се огънат, което да доведе до счупване или загуба на контрол, което води до нараняване.

Предупреждения за безопасност за батерията

- Не отваряйте батерията. Опасност от късо съединение.
- Пазете батерията от топлина, напр. срещу продължителна интензивна слънчева светлина, огън, вода и влага. Опасност от експлозия.
- В случай на повреда и неправилно използване на батерията, може да има отделяне на пари. Проветрете мястото и потърсете медицинска помощ в случай на оплаквания. Изпаренията могат да подразнят дихателната система.
- Използвайте батерията само във връзка с вашия продукт на Ferm Industrial. Само тази мярка предпазва батерията от опасно претоварване.
- Батерията може да бъде повредена от остри предмети, като например пирони или отвертки, или от сила, приложена отвън. Може да възникне вътрешно късо съединение и батерията може да изгори, да пуши, да експлодира или да прегрее.

Предупреждения за безопасност за зарядното на батерията

Предназначение

Зареждайте само акумулаторни батерии тип CDA1132P и CDA1133P Батерийни пакети със зарядно устройство.

Използвайте само следните батерии от платформата за батерии на Ferm Industrial FI20V. Използването на други батерии може да причини сериозно нараняване или повреда на инструмента.

CDA1132P 20V, 2Ah литиево-йонна

CDA1133P 20V, 4Ah литиево-йонна

За зареждане на тези батерии може да се използва следното зарядно устройство.

CDA1131P Бързо зарядно устройство

Батериите на батерийната платформа Ferm Industrial FI20V са взаимозаменяеми с всички инструменти на платформата за батерии Ferm Industrial FI20V.

Остатъчни рискове

Дори когато електроинструментът се използва по предписания начин, не е възможно да се премахнат всички остатъчни рискови фактори. Следните опасности могат да възникнат във връзка с конструкцията и дизайна на електроинструмента:

- Дефекти в здравето, произтичащи от излъчването на вибрации, ако електроинструментът се използва за по-дълъг период от време или не е адекватно управляван и правилно поддържан.
- Наранявания и щети на имущество, дължащи се на счупени аксесоари, които внезапно са пуснати.



Внимание! Това електроинструмент произвежда електромагнитно поле по време на работа. Това поле може при определени обстоятелства да възпрепятства активните или пасивните медицински имплантанти. За да намалите риска от сериозно или смъртоносно нараняване, препоръчваме на хората с медицински имплантанти да се консултират с техния лекар и производителя на медицинския имплантант, преди да използвате този електроинструмент.

Замяна на захранващия кабел

Ако захранващият кабел е повреден, той трябва да бъде заменен от производителя,

неговия сервизен агент или лица с подобна квалификация, за да се избегне опасност.

2. ИНФОРМАЦИЯ ЗА МАШИНИ

Предназначение

Тази безжична бормашина е предназначена за задвижване и разхлабване на винтове, както и за пробиване в дърво, метал и пластмаса.

Технически спецификации

Машина	CDM1141P
Напрежение	20V
Капацитет на патронника	1.5-13 mm
Без скорост на натоварване	
Позиция 1:	0-450 /min
Позиция 2:	0-1700 /min
Максимален въртящ момент	50 Nm
Настройки на въртящия момент	21 + Режим на бормашина
Тегло (без батерийния пакет)	1,24 kg
Ниво на звуковото налягане	L_{pa} 92 dB(A), $K=3dB(A)$
Ниво на звуковата мощност	L_{wa} 103 dB(A), $K=3dB(A)$
Вибрация	2,93 m/s ² $K=1,5$ m/s ²

Зарядно устройство	CDA1131P
Входяща мощност на зарядно устройство	100-240VAC 50-60Hz, 50W
Изходна мощност на зарядно	20V 2A
Време за зареждане 2Ah	батерия 60 минути
Време за зареждане 4Ah	батерия 120 минути
Препоръчителни батерии	CDA1132P, CDA1133P
Тегло	0,36 kg

Батерия	CDA1132P
Тип батерия	литиево-йонна
Напрежение	20V
Капацитет	2,0 Ah
Препоръчително зарядно устройство	CDA1131P
Тегло	0,38 kg

Ниво на вибрация

Нивото на вибрационното излъчване, посочено в това ръководство за употреба, е измерено в съответствие със стандартизираното изпитване, дадено в EN 62841; тя може да се използва за сравняване на инструмент с друг и за предварителна оценка на излагането на вибрации при използване на инструмента за упоменатите приложения.

- Използването на инструмента за различни приложения или с различни или слабо поддържани аксесоари може значително да увеличи нивото на експозиция.
- Времето, когато инструментът е изключен или когато той работи, но всъщност не изпълнява задачата, може значително да намали нивото на експозиция.

Защитете се от въздействието на вибрациите, като поддържате инструмента и неговите принадлежности, поддържате топли ръце и организирате работните си модели.

Описание

Цифрите в текста се отнасят до диаграмите на страници 2-3

Fig. A

1. машина
2. батерия
3. Бутон за отключване на батерията
4. Индикатор за зареждане на батерията
5. зарядно устройство
6. Индикатор за зарядно устройство
7. патронник
9. Превключвател за избор на скорост
10. Превключвател за посока
11. Превключвател за включване / изключване
12. Кръг за регулиране на въртящия момент
13. Работна светлина
14. Закачалка за колани

3. РАБОТА



Батерията трябва да се зареди преди първата употреба.

Изваждане на батерията от машината

Фиг В

- Дръжте машината (1) здраво с една ръка
- Натиснете бутона за отключване на акумулатора (3) разположен на задната страна на батерията (2) с другата ръка.
- Продължете да натискате този бутон (3) надолу и плъзнете батерията обратно навън, както е показано на фигура Б.

Поставяне на батерията в машината

Фиг В



Уверете се, че акумулатора е чиста и суха, преди да се свържете към зарядното устройство или машината.

- Дръжте машината (1) здраво с една ръка
- Поставете батерията (2) в основата на машината, както е показано на фиг.
- Поставете батерията напред, докато щракне на място.

Проверка на състоянието на зареждане на батерията

Фиг С



Включената батерия се доставя в частично заредено състояние.

- За да проверите състоянието на зареждане на батерията, натиснете бутона (4) на батерията скоро.
- Батерията има 3 светлинни индикатори, показващи нивото на зареждане, толкова повече светлини, които горят, толкова повече зареждане е останала батерията.

Зареждане на батерията (със зарядното устройство) Фиг С

- Извадете батерията (2) от устройството
- Завъртете батерията (2) в положение нагоре и я плъзнете върху зарядното устройство (5), както е показано на фигура С.
- Поставете батерията, докато тя не бъде напълно натиснат в гнездото.
- Включете щекера на зарядното устройство в електрически контакт и изчакайте известно

време. LED индикаторите на зарядното устройство (6) ще светнат и ще покажат състоянието на зарядното устройство.

LED индикатори (6)

Фиг С

Зарядното устройство има 2 LED индикатора (6), които показват състоянието на процеса на зареждане:

Червен светодиод	Зелен светодиод	Статус на зарядното устройство
от	от	Няма захранване
за	от	Режим на готовност: - Не е поставена батерия или, - Батерията е поставена, но зареждането е приключило преди повече от 2 часа
мигащ	мигащ	дефектна батерия
за	мигащ	Зареждането на батерията е в ход
за	за	Зареждането на батерията приключи, батерията е напълно заредена
мигащ	от	Батерията е прекалено гореща, процесът на зареждане е задържан. Зареждането ще започне автоматично, след като батерията се охлади.

- Пълното зареждане на батерията може да отнеме до 60 минути.
- След като батерията е напълно заредена, извадете щепсела на зарядното устройство от контакта и извадете батерията от зарядното устройство.
- Батерията може да се съхранява или да се инсталира директно върху устройството.



Литиево-йонните клетки могат да се съхраняват за дълъг период без загуба на голяма част от зареждането им. Когато машината не се използва за по-дълъг период от време, най-добре е да я заредите в заредено състояние.

Поставяне и отстраняване на свредла или отвертки

Фиг А



Винаги изваждайте батерията, преди да монтирате аксесоар.

Схемата за пробиване (7) е подходяща за бормашины и отвертки с кръгъл вал, както и шестостенна шахта.

- Дръжте машината здраво с едната ръка
- Отворете съгъвачката (7), като завъртите ръкава на патронника (8) с другата си ръка по посока на часовниковата стрелка, докато тя се отвори достатъчно навътре,
- Поставете вала на свредлото или отвертката
- Затегнете отново патронника, като завъртите пружинната глава (8) обратно на часовниковата стрелка.
- Проверете дали битът е добре центриран, като активирате бързо превключвателя за включване / изключване на машината.

Регулиране на предавките

Фиг А



Никога не включвайте скоростите, когато двигателят работи, това ще повреди машината ви.



Никога не поставяйте превключвателя в средата между двете позиции, което ще повреди машината ви

Машината има 2 скорости на свредлото, които могат да се регулират чрез плъзгане на превключвателя на предавките (9) напред или назад. Номерът на превключвателя на скоростите (9) показва кое положение е избрано.

- Позиция 1: За бавно пробиване, голям диаметър на пробиване или задвижване с винт. Машината има висока мощност при ниска скорост.
- Позиция 2: За бързо пробиване или малък диаметър на пробиване

Настройване на посоката на въртене

Фиг А

- Задайте превключвателя за посоката на движение (10) в положение “←” за да задвижвате винтове или да го използвате за пробиване.

- Задайте превключвателя за посока (10) в положение “→” за да свалите винтовете

Включване и изключване на машината

Фиг А

Превключвателят за включване / изключване (11) се използва за активиране на машината и регулиране на скоростта на въртене.

- Натискането на превключвателя за включване / изключване (11) ще активира машината, при по-нататъшно натискане на превключвателя, толкова по-бързо ще се върти тренировката.
- Освобождаването на превключвателя за включване / изключване (11) ще спре машината.
- Преместете превключвателя за обръщане на посоката (10) в средно положение, за да заключите движението на превключвателя за включване / изключване. То не може да бъде активирано в тази позиция.



Поставете машината само, когато тя напълно спре да работи. Не го поставяйте на прашна повърхност, тъй като частици прах могат да попаднат в механизма.

Настройване на въртящия момент

Фиг А

Машината има различни настройки на въртящия момент и специален режим на сондаж, за да настроите предаваната мощност към патронника.

Чрез завъртане на пръстена за регулиране на въртящия момент (12), винтовете могат да бъдат задвижвани до предварително определена дълбочина, което е идеално за повтаряща се работа. Колкото по-голям е броят, толкова повече въртящ момент ще бъде предаден.

- Изберете ниска настройка за малки винтове или мек работен материал.
- Изберете висока настройка за големи винтове, твърди материали и при сваляне на винтове.
- За предпочитане е да изберете възможно най-ниска настройка при завиване на винтове. Изберете по-висока настройка, ако моторът се плъзне, преди винтът да е напълно затегнат.

- За пробиване завъртете пръстена за настройка на въртящия момент (12) до настройката за пробиване, като за завъртите обратно на часовниковата стрелка.



Уверете се, че ключът за посока (10) винаги е настроен на ← по време на пробиването.



Машината е оборудвана с електронна функция за защита от претоварване. Когато машината се претовари, тя автоматично ще се изключи. Когато това се случи, моля, изчакайте най-малко 5 секунди, за да можете да се нулира защитата от претоварване.

Работно осветление (13)

Фиг А

Машината е оборудвана с работна лампа за осветяване на работното място.

- Той се включва автоматично при натискане на бутона за включване / изключване.
- Той автоматично се изключва при повторно пускане на бутона за включване / изключване.

Кука за кола (14)

Фиг А

Машината е оборудвана с кука за закачане на машината на колана ви по време на употреба.



Винаги превключвайте превключвателя за посоката на движение (10) в средно положение, за да избегнете случайно стартиране на машината.

- Когато се доставя, куката за ремъци (14) се сглобява от лявата страна на машината.
- Тя може лесно да се отстрани чрез сваляне на винта на куката и свалянето ѝ.
- Тя може да бъде сглобена от дясната страна на машината, когато това е предпочитано.

Съвети за потребителите

При завиване на винтове в дърво, метал и други материали:

- Преди да използвате уреда, проверете дали свредлото или винтовете са правилно монтирани и центрирани върте в патронника.

- Винтовете са налични в няколко форми и размери. Когато не сте сигурни, винаги се старайте да проверите дали битът се побира върху главата на винта, без да се използва свободно, преди да използвате машината.
- Уверете се, че машината не работи, когато стигне до винта. Завъртащият се бит може да се плъзне. Това може да доведе до увреждане на работното парче.

При пробиване в дърво, метал и други материали:

- С бормашина с малък диаметър използвайте висока скорост на свредлото. За свредла с голям диаметър използвайте ниска скорост на свредлото.
- За твърди материали, изберете ниска скорост на свредлото, за меки материали изберете висока скорост на свредлото.
- Прикрепете правилно работната част, за предпочитане с помощта на скоба или винтове.
- По време на пробиването издърпайте пробивната машина от дупката често, така че ще се премахне прах или пробиване на прах.

При пробиване в метал:

- Използвайте метална бормашина (HSS). За най-добри резултати трябва да охладите бита с масло.
- Металните (HSS) бормашины могат да се използват и за пробиване в пластмаса.

4. ПОДДРЪЖКА



Преди почистване и поддръжка, винаги изключвайте машината и изваждайте батерията от устройството.

Почистете корпусите на машината редовно с мека кърпа, за предпочитане след всяка употреба. Уверете се, че вентилационните отвори са без прах и мръсотия. Премахнете много устойчива мръсотия, като използвате мека кърпа, напоена със сапун. Не използвайте разтворители като бензин, алкохол, амоняк и т.н. Химични вещества като тези ще повредят синтетичните компоненти.

ЗАОБИКАЛЯЩА СРЕДА



Неизправните и / или изхвърлените електрически или електронни устройства трябва да се събират на съответните места за рециклиране.

Само за страните от ЕО

Не изхвърляйте електроинструментите в битови отпадъци. Съгласно Европейската насока 2012/19 / ЕС за отпадъците от електрическо и електронно оборудване и нейното прилагане в националното право електрическите инструменти, които вече не могат да се използват, трябва да се събират отделно и да се изхвърлят по екологосъобразен начин.

ГАРАНЦИЯ

Гаранционните условия могат да бъдат намерени на отделно прикрепената гаранционна карта.

Продуктът и ръководството за употреба подлежат на промяна. Спецификациите могат да се променят без допълнително уведомяване.

Δράπανο μπαταρίας λιθίου-ιόντων 20V CDM1141P

Ευχαριστούμε που αγοράσατε αυτό το προϊόν Ferm. Έτσι αποκτήσατε ένα εξαιρετικό προϊόν, που παραδίδεται από έναν από τους κορυφαίους προμηθευτές στην Ευρώπη. Όλα τα προϊόντα που σας παραδίδονται από τη Ferm είναι κατασκευασμένα σύμφωνα με τα αυστηρότερα πρότυπα απόδοσης και ασφάλειας. Ως μέρος της φιλοσοφίας μας, παρέχουμε επίσης εξαιρετική εξυπηρέτηση πελατών, η οποία υποστηρίζεται από την εκτενή μας εγγύηση. Ελπίζουμε να απολαύσετε αυτό το προϊόν για πολλά χρόνια στο μέλλον.

1. ΟΔΗΓΙΕΣ ΑΣΦΑΛΕΙΑΣ



Διαβάστε τις εσωκλειστές προειδοποιήσεις ασφαλείας, τις πρόσθετες προειδοποιήσεις ασφαλείας και τις οδηγίες. Η μη τήρηση των προειδοποιήσεων ασφαλείας και των οδηγιών μπορεί να έχει ως αποτέλεσμα ηλεκτροπληξία, πυρκαγιά και/ή σοβαρό τραυματισμό. **Φυλάξτε τις προειδοποιήσεις ασφαλείας και τις οδηγίες για μελλοντική αναφορά.**

Τα σύμβολα που ακολουθούν χρησιμοποιούνται στο εγχειρίδιο χρήστη ή πάνω στο προϊόν:



Διαβάστε το εγχειρίδιο χρήστη.



Υποδηλώνει κίνδυνο τραυματισμού, απώλειας ζωής ή ζημιάς στο εργαλείο, σε περίπτωση μη τήρησης των οδηγιών στο παρόν εγχειρίδιο.



Κίνδυνος ηλεκτροπληξίας



Ηλεκτρονικά ρυθμιζόμενη ταχύτητα



Περιστροφή, αριστερά/δεξιά



Μην το χρησιμοποιείτε υπό βροχή



Χρήση μόνο σε εσωτερικό χώρο



Μηχάνημα Κλάσης II - Με διπλή μόνωση - Δεν χρειάζεται να χρησιμοποιήσετε γειωμένο φις.



Μέγ. θερμοκρασία 40° C



Μην πετάξετε την μπαταρία σε φωτιά



Μην πετάξετε την μπαταρία σε νερό



Μην απορρίψετε το προϊόν σε ακατάλληλους κάδους απορριμμάτων.



Ξεχωριστή διαδικασία συλλογής για την μπαταρία λιθίου-ιόντων (Li-ion).



Μίνι ασφάλεια βραδείας τήξης



Το προϊόν συμμορφώνεται με τα εφαρμοσίμα πρότυπα ασφαλείας στις Ευρωπαϊκές Οδηγίες.

Πρόσθετες προειδοποιήσεις ασφαλείας για δραπανα και καταβιδία

Προειδοποιήσεις ασφαλείας για δράπανα

- Φοράτε προστατευτικά ακοής κατά τις εργασίες κρουστικής διάτρησης.** Η έκθεση σε θόρυβο μπορεί να προκαλέσει απώλεια ακοής.
- Κρατάτε το ηλεκτρικό εργαλείο από μονωμένες επιφάνειες λαβής όταν εκτελείτε μια εργασία όπου το αξεσουάρ κοπής μπορεί να έρθει σε επαφή με αθέατα καλώδια.** Αν ένα αξεσουάρ κοπής ρθει σε επαφή με καλώδιο υπό τάση, μπορεί να θέσει υπό τάση και τα εκτεθειμένα μεταλλικά μέρη του ηλεκτρικού εργαλείου και να προκαλέσει ηλεκτροπληξία στο χειριστή.
- Κρατήστε σωστά το εργαλείο πριν τη χρήση.** Αυτό το εργαλείο παράγει υψηλή ροπή εξόδου, και αν δεν κρατάτε σωστά το εργαλείο κατά τη χρήση του, μπορεί να προκύψει απώλεια ελέγχου με αποτέλεσμα τραυματισμό.

Οδηγίες ασφαλείας κατά τη χρήση τρυπανιών μεγάλου μήκους

- Ποτέ μη χρησιμοποιείτε τρυπάνι σε ταχύτητα υψηλότερη από τη μέγιστη διαβάθμιση ταχύτητας του τρυπανιού.** Σε υψηλότερες

ταχύτητες, το τρυπάνι μπορεί να λυγίσει αν του επιτρέψετε να περιστραφεί ελεύθερα χωρίς να είναι σε επαφή με το αντικείμενο εργασίας, με αποτέλεσμα τραυματισμό.

- β) **Πάντα να αρχίζετε τη διάτρηση σε χαμηλή ταχύτητα και με το τρυπάνι σε επαφή με το αντικείμενο εργασίας.** Σε υψηλότερες ταχύτητες, το τρυπάνι μπορεί να λυγίσει αν του επιτρέψετε να περιστραφεί ελεύθερα χωρίς να είναι σε επαφή με το αντικείμενο εργασίας, με αποτέλεσμα τραυματισμό.
- γ) **Ασκείτε πίεση μόνο σε ευθεία γραμμή με το τρυπάνι και μην ασκείτε υπερβολική πίεση.** Τα τρυπάνια μπορεί να λυγίζουν προκαλώντας θραύση ή απώλεια ελέγχου, με αποτέλεσμα τραυματισμό.

Προειδοποιήσεις ασφαλείας για την μπαταρία

- α) **Μην ανοίξετε την μπαταρία.** Κίνδυνος βραχυκυκλώματος.
- β) **Προστατεύετε την μπαταρία από θερμότητα, π.χ. από συνεχές έντονο ηλιακό φως, από φωτιά, νερό και υγρασία.** Κίνδυνος έκρηξης.
- γ) **Σε περίπτωση ζημιάς και ακατάλληλης χρήσης της μπαταρίας, μπορεί να αναπτυχθούν αναθυμιάσεις. Αερίστε την περιοχή και ζητήστε ιατρική βοήθεια σε περίπτωση που υπάρχουν ενοχλήσεις.** Οι αναθυμιάσεις μπορεί να είναι ερεθιστικές για το αναπνευστικό σύστημα.
- δ) **Χρησιμοποιείτε την μπαταρία μόνο σε συνδυασμό με το συγκεκριμένο προϊόν Ferm Industrial.** Αυτό το μέτρο και μόνο προστατεύει την μπαταρία από επικίνδυνη υπερφόρτωση.
- ε) **Η μπαταρία μπορεί να υποστεί ζημιά από μυτερά αντικείμενα όπως καρφιά ή κατσαβίδια, ή από την άσκηση εξωτερικής δύναμης.** Μπορεί να προκύψει εσωτερικό βραχυκύκλωμα και η μπαταρία μπορεί να καεί, να αναδίδει καπνό, να εκραγεί ή να υπερθερμανθεί.

Προειδοποιήσεις ασφαλείας για τον φορτιστή

Προβλεπόμενη χρήση

Φορτίζετε μόνο τύπου CDA1132P και CDA1133P επαναφορτιζόμενα πακέτα μπαταρίας με αυτόν τον φορτιστή.

Χρησιμοποιείτε μόνο τις ακόλουθες μπαταρίες της πλατφόρμας μπαταριών Ferm Industrial

FI20V. Η χρήση οποιωνδήποτε άλλων μπαταριών θα μπορούσε να προκαλέσει σοβαρό τραυματισμό ή ζημιά στο εργαλείο.

CDA1132P	20 V, 2 Ah ιόντων λιθίου
CDA1133P	20 V, 4 Ah ιόντων λιθίου

Για τη φόρτιση αυτών των μπαταριών μπορεί να χρησιμοποιηθεί ο παρακάτω φορτιστής.

CDA1131P Ταχυφορτιστής

Οι μπαταρίες της πλατφόρμας μπαταριών Ferm Industrial FI20V μπορούν να συνδέονται με όλα τα εργαλεία πλατφόρμας μπαταριών Ferm Industrial FI20V.

Υπολειπόμενοι κίνδυνοι

Ακόμα και αν το εργαλείο χρησιμοποιείται όπως προβλέπεται, δεν είναι εφικτή η εξάλειψη όλων των υπολειπόμενων παραγόντων κινδύνου. Οι ακόλουθοι κίνδυνοι μπορεί να προκύψουν σε σύνδεση με την κατασκευή και το σχεδιασμό του ηλεκτρικού εργαλείου:

- α) Βλάβες στην υγεία που προκύπτουν από την εκπομπή κραδασμών σε περίπτωση που το ηλεκτρικό εργαλείο χρησιμοποιείται για παρατεταμένο χρόνο ή δεν γίνεται επαρκής διαχείριση και σωστή συντήρησή του.
- β) Τραυματισμοί και υλικές ζημιές λόγω εκτόξευσης θραυσμάτων από σπασμένα αξεσουάρ.



Προειδοποίηση! Αυτό το ηλεκτρικό εργαλείο παράγει ηλεκτρομαγνητικό πεδίο κατά τη λειτουργία του. Αυτό το πεδίο μπορεί υπό ορισμένες συνθήκες να προκαλέσει παρεμβολές στη λειτουργία ενεργών ή παθητικών ιατρικών εμφυτευμάτων. Για τη μείωση του κινδύνου σοβαρής ή θανατηφόρου βλάβης της υγείας, συνιστούμε τα άτομα με ιατρικά εμφυτεύματα να συμβουλευτούν το γιατρό τους και τον κατασκευαστή του ιατρικού εμφυτεύματος πριν τη χρήση αυτού του ηλεκτρικού εργαλείου.

Αντικατάσταση καλωδίου ρεύματος

Αν το καλώδιο ρεύματος έχει υποστεί ζημιά, πρέπει να αντικατασταθεί από τον κατασκευαστή, τον αντιπρόσωπό του για σέρβις ή παρόμοια εξειδικευμένα άτομα, για την αποφυγή κινδύνου.

2. ΠΛΗΡΟΦΟΡΙΕΣ ΓΙΑ ΤΟ ΜΗΧΑΝΗΜΑ

Προβλεπόμενη χρήση

Αυτό το ασύρματο δράπανο προορίζεται για βίδωμα και ξεβίδωμα, καθώς και για διάτρηση με τρυπάνι σε ξύλο, μέταλλο και πλαστικό.

Τεχνικές προδιαγραφές

Μηχάνημα	CDM1141P
Τάση	20 V
Χωρητικότητα του τσοκ	1,5-13 mm
Ταχύτητα χωρίς φορτίο	
Θέση 1:	0-450 /min
Θέση 2:	0-1700 /min
Μέγ. Ροπή	50 Nm
Ρυθμίσεις ροπής	21 + Λειτουργία διάτρησης
Βάρος (χωρίς πακέτο μπαταρίας)	1,24 kg
Στάθμη ηχητικής πίεσης	L_{pA} 92 dB(A), K=3 dB(A)
Στάθμη ηχητικής ισχύος	L_{WA} 103 dB(A), K=3 dB(A)
Κραδασμοί	2,93 m/s ² K=1,5 m/s ²
Φορτιστής	CDA1131P
Είσοδος φορτιστή	100-240 V AC 50-60 Hz, 50 W
Έξοδος φορτιστή	20 V 2 A
Χρόνος φόρτισης μπαταρίας 2 Ah	60 λεπτά
Χρόνος φόρτισης μπαταρίας 4 Ah	120 λεπτά
Συνιστώμενες μπαταρίες	CDA1132P, CDA1133P
Βάρος	0,36 kg

Μπαταρία	CDA1132P
Τύπος μπαταρίας	Ιόντων λιθίου
Τάση	20 V
Χωρητικότητα	2,0 Ah
Συνιστώμενος φορτιστής	CDA1131P
Βάρος	0,38 kg

Επίπεδο κραδασμών

Το επίπεδο εκπομπής κραδασμών που αναφέρεται στο παρόν εγχειρίδιο οδηγιών έχει μετρηθεί σύμφωνα με την τυποποιημένη δοκιμή

που αναφέρεται στο EN 62841. Μπορεί να χρησιμοποιηθεί για τη σύγκριση ενός εργαλείου με άλλο και ως προκαταρκτική εκτίμηση της έκθεσης σε κραδασμούς κατά τη χρήση του εργαλείου για τις αναφερόμενες εφαρμογές.

- Η χρήση του εργαλείου σε άλλες εφαρμογές ή με άλλα ή κακοσυντηρημένα αξεσουάρ μπορεί να επηρεάσει σημαντικά το επίπεδο έκθεσης.
- Οι χρόνοι που το εργαλείο είναι απενεργοποιημένο ή λειτουργεί χωρίς να εκτελεί εργασία, μπορεί να μειώσουν σημαντικά το επίπεδο έκθεσης.

Προστατευτείτε έναντι των επιδράσεων των κραδασμών συντηρώντας το εργαλείο και τα αξεσουάρ του, διατηρώντας τα χέρια σας ζεστά και οργανώνοντας τα σχήματα εργασίας σας.

Περιγραφή

Οι αριθμοί στο κείμενο αναφέρονται στα διαγράμματα στις σελίδες 2- 3

Εικ. Α

1. Μηχάνημα
2. Μπαταρία
3. Κουμπί απασφάλισης μπαταρίας
4. Ένδειξη φόρτισης μπαταρίας
5. Φορτιστής
6. Ενδείξεις LED φορτιστή
7. Τσοκ
9. Διακόπτης επιλογής ταχύτητας
10. Διακόπτης επιλογής κατεύθυνσης
11. Διακόπτης On/Off
12. Δακτύλιος ρύθμισης της ροπής
13. Φως εργασίας
14. Γάντζος ζώνης

3. ΛΕΙΤΟΥΡΓΙΑ



Η μπαταρία πρέπει να φορτιστεί πριν την πρώτη χρήση.

Αφαίρεση της μπαταρίας από το μηχάνημα

Εικ. Β

- Κρατήστε το μηχάνημα (1) σταθερά με το ένα χέρι
- Με το άλλο χέρι, πιέστε προς τα κάτω το κουμπί απασφάλισης μπαταρίας (3) που βρίσκεται στην πίσω πλευρά της μπαταρίας (2).
- Κρατήστε το κουμπί (3) πατημένο προς τα κάτω

και περάστε την μπαταρία προς τα πίσω εκτός του μηχανήματος, όπως φαίνεται στην Εικ. Β.

Εισαγωγή της μπαταρίας στο μηχανήμα

Εικ. Β



Βεβαιωθείτε ότι η μπαταρία είναι καθαρή εξωτερικά και στεγνή πριν τη συνδέσετε στο φορτιστή ή στο μηχανήμα.

- Κρατήστε το μηχανήμα (1) σταθερά με το ένα χέρι
- Εισάγετε την μπαταρία (2) μέσα στη βάση του μηχανήματος όπως φαίνεται στην Εικ. Β.
- Πιέστε την μπαταρία ακόμα προς τα εμπρός έως ότου ασφαλίσει στη θέση της με ήχο κλικ.

Έλεγχος της κατάστασης φόρτισης της μπαταρίας

Εικ. C



Η περιλαμβανόμενη μπαταρία παραδίδεται εν μέρει φορτισμένη.

- Για να ελέγξετε την κατάσταση φόρτισης της μπαταρίας, πιέστε σύντομα το κουμπί (4) στην μπαταρία.
- Η μπαταρία έχει 3 λυχνίες που υποδεικνύουν το επίπεδο φόρτισης. Όσο πιο πολλές λυχνίες είναι αναμμένες, τόσο μεγαλύτερη είναι η υπολειπόμενη φόρτιση της μπαταρίας.

Φόρτιση της μπαταρίας (με το φορτιστή)

Εικ. C

- Αφαιρέστε την μπαταρία (2) από το μηχανήμα
- Γυρίστε την μπαταρία (2) ανάποδα και τοποθετήστε την πάνω στο φορτιστή (5) όπως δείχνει η Εικ. C.
- Σπρώξτε την μπαταρία έως ότου έχει εισαχθεί πλήρως στην υποδοχή.
- Συνδέστε το φις του φορτιστή σε μια πρίζα ρεύματος δικτύου και περιμένετε λίγο. Οι ενδεικτικές λυχνίες LED στο φορτιστή (6) θα ανάψει δείχνοντας την κατάσταση φόρτισης.

Ενδεικτικές λυχνίες LED (6)

Εικ. C

Ο φορτιστής διαθέτει 2 ενδεικτικές λυχνίες LED (6) που δείχνουν την κατάσταση της διαδικασίας φόρτισης:

Κατάσταση κόκκινης LED:	Κατάσταση πράσινης LED:	Κατάσταση φορτιστή
Σβηστή	Σβηστή	Δεν υπάρχει ρεύμα
Αναμμένη	Σβηστή	Κατάσταση αναμονής: - Δεν έχει εισαχθεί μπαταρία ή, - Έχει εισαχθεί μπαταρία αλλά η φόρτιση ολοκληρώθηκε περισσότερο από 2 ώρες πριν
Αναβοσβήνει	Αναβοσβήνει	Βλάβη στη μπαταρία
Αναμμένη	Αναβοσβήνει	Φόρτιση της μπαταρίας σε εξέλιξη
Αναμμένη	Αναμμένη	Η φόρτιση της μπαταρίας τελείωσε, η μπαταρία είναι πλήρως φορτισμένη
Αναβοσβήνει	Σβηστή	Η μπαταρία έχει υπερθερμανθεί, η διαδικασία φόρτισης έχει σταματήσει προσωρινά. Η φόρτιση θα αρχίσει αυτόματα αφού κρυώσει η μπαταρία.

- Για την πλήρη φόρτιση της μπαταρίας μπορεί να χρειαστούν έως 60 λεπτά.
- Αφού φορτιστεί πλήρως η μπαταρία, αφαιρέστε το φις του φορτιστή από την πρίζα και αφαιρέστε την μπαταρία από το φορτιστή.
- Η μπαταρία μπορεί να φυλαχτεί ή να εισαχθεί άμεσα στο μηχανήμα.



Οι κυψέλες λιθίου-ιόντων μπορούν να αποθηκευτούν για μεγάλη χρονική περίοδο χωρίς να χάσουν μεγάλο μέρος της φόρτισής τους. Όταν το μηχανήμα δεν χρησιμοποιείται για μεγάλη χρονική περίοδο, είναι καλύτερο να φυλάσσετε την μπαταρία σε φορτισμένη κατάσταση.

Τοποθέτηση και αφαίρεση τρυπανιών ή μυτών κατσαβιδιού

Εικ. A



Πάντα να αφαιρείτε την μπαταρία πριν τοποθετήσετε ένα αξεσουάρ.

Το τσοκ (7) του δραπάνου είναι κατάλληλο για τρυπάνια και μύτες κατσαβιδιού με στρογγυλό αλλά και εξάγωνο άξονα.

- Κρατήστε το μηχανήμα σταθερά με το ένα χέρι
- Ανοίξτε το τσοκ (7) του δραπάνου

περιστρέφοντας το χιτώνιο του τσοκ με το άλλο χέρι σε δεξιόστροφη κατεύθυνση έως ότου έχει ανοίξει αρκετά για την εισαγωγή της μύτης.

- Εισάγετε τον άξονα του τρυπανιού ή τη μύτη κατσαβιδιού
- Σφίξτε πάλι το τσοκ του δραπάνου περιστρέφοντας σταθερά το χιτώνιο του τσοκ αριστερόστροφα.
- Πατήστε για λίγο το διακόπτη on/off του μηχανήματος για να ελέγξετε αν η μύτη είναι κεντραρισμένη σωστά.

Ρύθμιση των ταχυτήτων

Εικ. Α



Ποτέ μην αλλάζετε ταχύτητα όταν το μοτέρ κινείται γιατί θα προκληθεί βλάβη στο μηχανήμα σας.



Ποτέ μην τοποθετήσετε το διακόπτη στο μέσο μεταξύ των δύο θέσεων γιατί έτσι θα προκληθεί ζημιά στο μηχανήμα σας.

Το μηχανήμα έχει 2 ταχύτητες δραπάνου, τις οποίες μπορείτε να επιλέξετε κινώντας το διακόπτη ταχυτήτων (9) προς τα εμπρός ή προς τα πίσω. Ο αριθμός στο διακόπτη ταχυτήτων (9) δείχνει ποια θέση έχει επιλεγεί.

- Θέση 1: Για αργή διάτρηση, διάτρηση μεγάλης διαμέτρου ή βίδωμα. Σε χαμηλή ταχύτητα το μηχανήμα έχει υψηλή ισχύ.
- Θέση 2: Για ταχεία διάτρηση ή διάτρηση μικρής διαμέτρου

Ρύθμιση της κατεύθυνσης περιστροφής

Εικ. Α

- Θέστε το διακόπτη κατεύθυνσης (10) στη θέση '←' για βίδωμα ή διάτρηση.
- Θέστε το διακόπτη κατεύθυνσης (10) στη θέση '→' για ξεβίδωμα

Ενεργοποίηση και απενεργοποίηση του μηχανήματος

Εικ. Α

Ο διακόπτης on/off (ενεργοποίησης/ απενεργοποίησης) (11) χρησιμοποιείται για ενεργοποίηση του μηχανήματος και ρύθμιση της ταχύτητας περιστροφής.

- Πατώντας το διακόπτη on/off (11) θα ενεργοποιηθεί το μηχανήμα. Όσο περισσότερο πατάτε το διακόπτη, τόσο ταχύτερα θα περιστρέφεται το δράπανο.

- Ελευθερώνοντας το διακόπτη on/off (11) το μηχανήμα απενεργοποιείται.
- Μετακινήστε το διακόπτη αντιστροφής κατεύθυνσης (10) στη μεσαία θέση αν θέλετε να ασφαλίσετε το διακόπτη on/off ώστε να μην κινείται. Σε αυτή τη θέση δεν είναι εφικτή η ενεργοποίησή.



Αφήνετε κάτω το μηχανήμα μόνο αν έχει σταματήσει τελείως να κινείται. Μην το τοποθετείτε πάνω σε επιφάνειες με σκόνη, επειδή σωματίδια σκόνης θα μπορούσαν να εισέλθουν στο μηχανισμό.

Ρύθμιση της ροπής

Εικ. Α

Το μηχανήμα έχει διαφορετικές ρυθμίσεις ροπής και μια ειδική λειτουργία διάτρησης, για τη ρύθμιση της ισχύος που μεταδίδεται στο τσοκ.

Περιστρέφοντας το δακτύλιο ρύθμιση ροπής (12), οι βίδες μπορούν να βιδωθούν σε προκαθορισμένο βάθος, λειτουργία ιδανική για επαναλαμβανόμενη εργασία. Όσο υψηλότερος είναι ο αριθμός, τόσο μεγαλύτερη ροπή θα μεταδίδεται.

- Επιλέξτε μια χαμηλή ρύθμιση για μικρές βίδες ή για μαλακό υλικό εργασίας.
- Επιλέξτε μια υψηλή ρύθμιση για μεγάλες βίδες, σκληρά υλικά εργασία και όταν αφαιρείτε βίδες.
- Θα πρέπει κατά προτίμηση να επιλέξετε μια ρύθμιση όσο το δυνατόν χαμηλότερη για το βίδωμα. Επιλέξτε μια υψηλότερη ρύθμιση αν το μοτέρ ολισθαίνει πριν συσφίχτεί πλήρως η βίδα.
- Για διάτρηση, περιστρέψτε το δακτύλιο ρύθμισης ροπής (12) στη ρύθμιση για διάτρηση περιστρέφοντας τον αριστερόστροφα.



Βεβαιωθείτε ότι ο διακόπτης κατεύθυνσης (10) πάντα έχει τεθεί στη ρύθμιση ← κατά τη διάτρηση.



Το μηχανήμα είναι εξοπλισμένο με ηλεκτρονική λειτουργία προστασίας από υπερφόρτωση. Όταν υπερφορτωθεί το μηχανήμα, θα απενεργοποιηθεί αυτόματα. Αν συμβεί αυτό, περιμένετε τουλάχιστον 5 δευτερόλεπτα για να αφήσετε να γίνει αυτόματη επαναφορά του συστήματος προστασίας από υπερφόρτωση.

Φως εργασίας (13)**Εικ. Α**

Το μηχάνημα είναι εξοπλισμένο με φως εργασίας για το φωτισμό της θέσης εργασίας.

- Ενεργοποιείται αυτόματα όταν πατηθεί ο διακόπτης on/off.
- Απενεργοποιείται αυτόματα όταν ελευθερωθεί πάλι ο διακόπτης on/off.

Γάντζος ζώνης (14)**Εικ. Α**

Το μηχάνημα είναι εξοπλισμένο με γάντζο ζώνης για ανάρτηση του μηχανήματος από τη ζώνη σας κατά τη χρήση.



Πάντα να ρυθμίζετε το διακόπτη κατεύθυνσης (10) στη μεσαία θέση για να αποφύγετε αθέλητη εκκίνηση του μηχανήματος.

- Κατά την παράδοση, ο γάντζος ζώνης (14) είναι τοποθετημένος στην αριστερή πλευρά του μηχανήματος.
- Μπορεί να αφαιρεθεί εύκολα ξεβιδώνοντας τη βίδα στον γάντζο και αφαιρώντας την.
- Μπορεί να τοποθετηθεί στη δεξιά πλευρά του μηχανήματος αν αυτό προτιμάτε.

Υποδείξεις για το χρήστη

Όταν βιδώνετε σε ξύλο, μέταλλο και άλλα υλικά:

- Πριν χρησιμοποιήσετε τη συσκευή ελέγξτε αν το τρυπάνι ή η μύτη κατασβιδιού έχει τοποθετηθεί σωστά και είναι κεντραρισμένο/η μέσα στο τσοκ του δραπάνου.
- Μύτες κατασβιδιού διατίθενται σε πολλά σχήματα και διαστάσεις. Αν δεν είστε βέβαιοι ποια είναι η σωστή μύτη, πριν χρησιμοποιήσετε το μηχάνημα, δοκιμάστε αν η μύτη εφαρμόζει χωρίς τζόγο στο κεφάλι της βίδας.
- Βεβαιωθείτε ότι το μηχάνημα δεν είναι σε κίνηση όταν έρθει σε επαφή με τη βίδα. Μια περιστρεφόμενη μύτη μπορεί να γλιστρήσει. Αυτό θα μπορούσε να έχει ως αποτέλεσμα ζημιά στο τεμάχιο εργασίας.

Όταν πραγματοποιείτε διάτρηση σε ξύλο, μέταλλο και άλλα υλικά:

- Με τρυπάνια μικρότερης διαμέτρου, χρησιμοποιήστε υψηλή ταχύτητα διάτρησης. Για τρυπάνια μεγάλης διαμέτρου, χρησιμοποιήστε χαμηλή ταχύτητα διάτρησης.
- Για σκληρά υλικά, επιλέξτε χαμηλή ταχύτητα

διάτρησης, για μαλακά υλικά επιλέξτε υψηλή ταχύτητα διάτρησης.

- Στερεώνετε το τεμάχιο εργασίας σωστά, κατά προτίμηση με χρήση σφιγκτήρα ή μέγγενης.
- Κατά τη διάτρηση να ανασύρετε συχνά το τρυπάνι από την οπή ώστε να απομακρύνονται τα πριονίδια ή η σκόνη που παράγονται κατά τη διάτρηση.

Κατά τη διάτρηση σε μέταλλο:

- Χρησιμοποιήστε τρυπάνι για μέταλλα (HSS). Για τα καλύτερα αποτελέσματα θα πρέπει να ψύχετε το τρυπάνι με λάδι.
- Τα τρυπάνια για μέταλλα (HSS) μπορούν να χρησιμοποιηθούν και για διάτρηση σε πλαστικό.

4. ΣΥΝΤΗΡΗΣΗ

Πριν τον καθαρισμό και τη συντήρηση, πάντα να απενεργοποιείτε το μηχάνημα και να αφαιρείτε το πακέτο μπαταρίας από το μηχάνημα.

Καθαρίζετε τα περιβλήματα του μηχανήματος τακτικά με ένα μαλακό πανί, κατά προτίμηση μετά από κάθε χρήση. Να βεβαιώνεστε ότι τα ανοίγματα αερισμού είναι ελεύθερα από σκόνη και ακαθαρσίες. Αφαιρείτε κάθε επίμονη ακαθαρσία με τη χρήση ενός μαλακού πανιού που το έχετε υγράνει με σαπουνόδαλυμα. Μη χρησιμοποιείτε οποιοδήποτε διαλύτη όπως βενζίνη, οινόπνευμα, αμμωνία κλπ. Τα χημικά αυτού του είδους θα προξενήσουν ζημιά στα συνθετικά εξαρτήματα.

ΠΕΡΙΒΑΛΛΟΝ

Ο ηλεκτρικός ή ηλεκτρονικός εξοπλισμός που παρουσιάζει βλάβη ή έχει φθάσει στο τέλος της ωφέλιμης ζωής του πρέπει να παραδίδεται στις κατάλληλες τοποθεσίες ανακύκλωσης.

Μόνο για χώρες ΕΚ

Μην απορρίπτετε τα ηλεκτρικά εργαλεία στα οικιακά απορρίμματα. Σύμφωνα με την Ευρωπαϊκή οδηγία 2012/19/EU περί αποβλήτων ηλεκτρικού και ηλεκτρονικού εξοπλισμού και την εφαρμογή του στο εθνικό δίκαιο, τα ηλεκτρικά εργαλεία που δεν μπορούν να χρησιμοποιηθούν

πλέον πρέπει να συλλέγονται ξεχωριστά και να απορρίπτονται με τρόπο φιλικό προς το περιβάλλον.

ΕΓΓΥΗΣΗ

Μπορείτε να βρείτε τις προϋποθέσεις της εγγύησης στη χωριστή εσώκλειστη κάρτα εγγύησης.

Το προϊόν και το εγχειρίδιο χρήστη υπόκεινται σε αλλαγή. Οι προδιαγραφές μπορεί να αλλάξουν χωρίς άλλη ειδοποίηση.

Μπαταρία λιθίου Αιών της Ηλεκτρικής Ενέργειας 20 Φόρτες CDM1141P

Στην ευχαρίστηση για την αγορά του προϊόντος Ferm. Ο παρονομαστικός χρόνος ζωής είναι 20 χρόνια. Η μπαταρία είναι κατασκευασμένη από υλικά υψηλής ποιότητας και είναι κατάλληλη για χρήση σε διάφορες εφαρμογές. Η μπαταρία είναι κατασκευασμένη σύμφωνα με τα πρότυπα της IEC 61951-2. Η μπαταρία είναι κατασκευασμένη σύμφωνα με τα πρότυπα της IEC 61951-2. Η μπαταρία είναι κατασκευασμένη σύμφωνα με τα πρότυπα της IEC 61951-2. Η μπαταρία είναι κατασκευασμένη σύμφωνα με τα πρότυπα της IEC 61951-2.

1. Τηλεφωνικές Οδηγίες

Αναγνώστε τις οδηγίες ασφαλείας, τις προειδοποιήσεις και τις προφυλακτικές οδηγίες. Διαβάστε τις οδηγίες ασφαλείας, τις προειδοποιήσεις και τις προφυλακτικές οδηγίες. Διαβάστε τις οδηγίες ασφαλείας, τις προειδοποιήσεις και τις προφυλακτικές οδηγίες. Διαβάστε τις οδηγίες ασφαλείας, τις προειδοποιήσεις και τις προφυλακτικές οδηγίες. Διαβάστε τις οδηγίες ασφαλείας, τις προειδοποιήσεις και τις προφυλακτικές οδηγίες.

Εκτελέστε τις οδηγίες ασφαλείας που βρίσκονται στο εγχειρίδιο ή στο προϊόν.

Αναγνώστε το εγχειρίδιο.

Προειδοποίηση για κίνδυνο βλάβης ή θανάτου. Η χρήση του προϊόντος χωρίς να διαβάσετε τις οδηγίες ασφαλείας μπορεί να οδηγήσει σε βλάβη ή θάνατο. Διαβάστε τις οδηγίες ασφαλείας πριν χρησιμοποιήσετε το προϊόν.

Κίνδυνος ηλεκτροπληξίας.

Η ταχύτητα περιστροφής μπορεί να είναι υψηλή.

Προειδοποίηση για κίνδυνο τραυματισμού.

Αποφύγετε την χρήση του προϊόντος σε βροχή ή σε υγρές συνθήκες.

Μην χρησιμοποιείτε το προϊόν σε κλειστά ή περιορισμένα χώρα.

Η μπαταρία είναι κατασκευασμένη σύμφωνα με τα πρότυπα της IEC 61951-2. Η μπαταρία είναι κατασκευασμένη σύμφωνα με τα πρότυπα της IEC 61951-2. Η μπαταρία είναι κατασκευασμένη σύμφωνα με τα πρότυπα της IEC 61951-2. Η μπαταρία είναι κατασκευασμένη σύμφωνα με τα πρότυπα της IEC 61951-2.

Η μέγιστη θερμοκρασία λειτουργίας είναι 40°C.

Μην αφήνετε την μπαταρία να θερμανθεί ή να κρυώσει.

تحذيرات السلامة للشاحن

الاستخدام المقصود

اشحن فقط البطاريات القابلة لإعادة الشحن من النوع CDA1132P والنوع CDA1133P باستخدام الشاحن.

استخدم البطاريات التالية فقط من منصة بطاريات Ferm Industrial من النوع FI20V. يمكن أن يؤدي استخدام أي بطاريات أخرى إلى إصابات خطيرة أو تلف للأداة.

CDA1132P ليثيوم أيون 20 فولت، 2 أمبير في الساعة
CDA1133P ليثيوم أيون 20 فولت، 4 أمبير في الساعة

يمكن استخدام الشاحن التالي لشحن هذه البطاريات.
شاحن CDA1131P Quick السريع

البطاريات من منصة بطاريات Ferm Industrial من نوع FI20V قابلة للتبديل مع جميع أدوات منصة بطارية Ferm Industrial من النوع FI20V.

المخاطر المتبقية

حتى عندما يتم استخدام الأداة الكهربائية على المحدد، فإنه ليس من الممكن القضاء على جميع عوامل المخاطر المتبقية. فقد تنشأ المخاطر التالية في حالة ملامسة هيكل الأداة الكهربائية وتصميمها:

- الاختلالات الصحية الناجمة عن انبعاث الاهتزاز، في حالة استخدام الأداة الكهربائية على مدار فترة زمنية أطول أو عدم إدارتها بشكل كافٍ وصيانتها بشكل صحيح.
- إصابات وأضرار في الممتلكات بسبب الملحقات المكسورة التي تحطمت فجأة.



تحذير! تنتج هذه الأداة مجالاً كهرومغناطيسياً خلال العملية. وقد يتداخل هذا المجال في بعض الظروف مع الزراعات الطبية النشطة أو السلبية. للحد من خطر الإصابة الخطيرة أو المميتة، نوصي الأشخاص ذوي الزراعات الطبية باستشارة الطبيب والشركة المصنعة للزراعات الطبية قبل تشغيل هذه الأداة الكهربائية.

استبدال سلك الطاقة

في حالة تلف سلك الإمداد، فيجب استبداله من قبل الشركة المصنعة أو وكيل خدماتها أو أشخاص مؤهلين مماثلين لتجنب المخاطر.

٢. معلومات الآلة

الاستخدام المقصود

يستخدم هذا المقابح اللاسلكي لربط البراغي وفكها، بالإضافة إلى التقب في الخشب والمعدن والبلاستيك.

المواصفات الفنية

الآلة	CDM1141P
الجهد	20 فولت
سعة الطرف	1.5 - 13 ملم

لا تعلق البطارية في المياه



لا تتخلص من المنتجات في حاويات غير مناسبة.



تجميع منفصل لبطارية الليثيوم أيون.



وصلة الصمام المصغر للتأخير الزمني



يتوافق المنتج مع معايير السلامة المعمول بها والواردة في التوجيهات الأوروبية.



تحذيرات السلامة الإضافية آلات التقب ومفكات البراغي

تحذيرات السلامة الخاصة بالمقابح

- ارتد واقيات الأذن عند التقب التصادمي. فقد يؤدي التعرض إلى الضجيج إلى فقدان السمع.
- امسك الأداة الكهربائية من الأسطح القابضة المعزولة عند أداء عملية قد يتلامس فيها ملحق القطع مع أسلاك مخفية. فإن ملحق القطع الملامس لسلك «مكهرب» يؤدي إلى «كهربة» الأجزاء المعدنية المكشوفة للأداة الكهربائية، وقد يصيب المشغل بصدمة كهربائية.
- قم بتدعيم الأداة جيداً قبل الاستخدام. تقدم هذه الأداة عزم إخراج قوي وبدون تدعيمها بشكل ملائم خلال التشغيل، قد يحدث فقدان للسيطرة وينتج عنه إصابة شخصية.

إرشادات السلامة عند استخدام لقم تقب طويلة

- لا تقم بالتشغيل بسرعة أعلى من السرعة القصوى المحددة للكمة التقب. في السرعات العالية، يحتمل أن تنتهي الكمة إذا دارت بدون أن تلامس سطح العمل، مما ينتج عنه إصابة شخصية.
- ابدأ دائماً بالتقب بسرعة منخفضة وبحيث يكون طرف الكمة ملامساً لسطح العمل. في السرعات العالية، يحتمل أن تنتهي الكمة إذا دارت بدون أن تلامس سطح العمل، مما ينتج عنه إصابة شخصية.
- اضغط في خط مباشر مع الكمة ولا تفرط في الضغط. قد تتلوي اللقم مسببة الانكسار أو فقدان السيطرة، مما ينتج عنه إصابة شخصية.

تحذيرات السلامة للبطارية

- لا تقم بفتح البطارية. خطر قصر الدائرة.
- قم بحماية البطارية من الحرارة، على سبيل المثال، من ضوء الشمس المباشر المتواصل والهبب والماء والرطوبة. خطر الانفجار.
- في حالة تلف البطارية أو عدم استخدامها بشكل ملائم، قد تنبعث منها الأبخرة. قم بتهوئة المنطقة واطلب المساعدة الطبية في حالة وجود شكوى. قد تعمل الأبخرة على تهيج الجهاز التنفسي.
- استخدم البطارية فقط مع المنتج الخاص بشركة Ferm Industrial. يعمل هذا الإجراء وحده على حماية البطارية من خطورة الحمل الزائد.

(هـ) يمكن إتلاف البطارية بواسطة الأشياء المسننة مثل الأظافر أو مفكات البراغي أو نتيجة ضغط قوة خارجية عليها. قد تحدث دائرة داخلية قصيرة وتنتفب في إحراق البطارية أو تصاعد أبخرة أو الانفجار أو ارتفاع درجة الحرارة.

سرعة اللاحمل	الموضع 1:	450-0 في الدقيقة
	الموضع 2:	1700-0 في الدقيقة
العزم الأقصى		50 نانومتر
إعدادات العزم		21 + وضع الثقب
الوزن (بدون البطاريات)		1.24 كجم
مستوى ضغط الصوت		92 L _{PA} ديسيبل (A)، K=3 ديسيبل (A)
مستوى طاقة الصوت		103 L _{WA} ديسيبل (A)، K=3 ديسيبل (A)
التردد		2.93 م/الثانية K=1.5 م/الثانية

CDA1131P	الشاحن
إدخال الشاحن	240-100 فولت تيار متردد، 60-50 هرتز، 50 وات
إخراج الشاحن	20 فولت 2 أمبير
وقت الشحن بطارية	2 أمبير في الساعة 60 دقيقة
وقت الشحن بطارية	4 أمبير في الساعة 120 دقيقة
البطاريات الموصى بها	CDA1133P، CDA1132P
الوزن	0.36 كجم

CDA1132P	بطارية
نوع البطارية	ليثيوم أيون
ال جهد	20 فولت
القدرة	2.0 أمبير في الساعة
الشاحن الموصى به	CDA1131P
الوزن	0.38 كجم

مستوى الاهتزاز

لقد تم قياس مستوى انبعاث الاهتزاز المذكور في دليل التعليمات هذا وفقاً لاختبار معياري وارد في EN 62841، ويمكن استخدامه لمقارنة أداة واحدة مع أخرى وكنتيجة لتقييم أولي للتعرض للاهتزاز عند استخدام الأداة في التطبيقات المذكورة.

- إن استخدام الأداة في تطبيقات مختلفة، أو مع ملحقات مختلفة أو تمت صيانتها بشكل ضعيف، قد يزيد بشكل كبير من مستوى التعرض.
- إن الأوقات التي يتم خلالها إيقاف تشغيل الأداة أو عند تشغيلها ولكن دون أداء المهمة بالفعل قد يقلل بشكل كبير من مستوى التعرض.

احم نفسك من آثار الاهتزاز من خلال صيانة الأداة وملحقاتها، والحفاظ على دفة يدك، وتنظيم أنماط العمل الخاص بك.

الوصف

تشير الأرقام الواردة في النص إلى الأشكال الموجودة في الصفحتين 3-2

الشكل أ

1. الآلة
2. البطارية
3. زر إلغاء قفل البطارية
4. مؤشر شحن البطارية
5. الشاحن
6. مؤشرات LED للشاحن
7. الظرف
9. مفتاح تحديد التروس
10. مفتاح الاتجاه
11. مفتاح التشغيل / إيقاف التشغيل
21. حلقة ضبط عزم الدوران
31. مصباح العمل
41. خطاف الحزام

3. التشغيل

يجب شحن البطارية قبل أول استخدام.



إزالة البطارية من الآلة

الشكل ب

- امسك الآلة (1) بيد واحدة بإحكام
- اضغط لأسفل على زر إلغاء قفل البطارية (3) الموجود في الجانب الخلفي للبطارية (2) باستخدام اليد الأخرى.
- اضغط باستمرار على هذا الزر (3) لأسفل، وقم بزلق البطارية للخلف خارج الآلة، كما هو مبين في الشكل ب.

إدخال البطارية في الآلة

الشكل ب

تأكد من نظافة وجفاف الجانب الخارجي للبطارية قبل توصيلها بالشاحن أو الآلة.



- امسك الآلة (1) بيد واحدة بإحكام
- أدخل البطارية (2) في قاعدة الآلة، كما هو مبين في الشكل ب.
- اضغط على البطارية بشكل أكبر إلى الأمام حتى تستقر في مكانها مع إصدار صوت طققة.

فحص حالة شحن البطارية

الشكل ج

يتم تسليم البطارية المضمنة في حالة مشحونة جزئياً.



- لفحص حالة شحن البطارية، اضغط على الزر (4) الموجود بالبطارية لفترة وجيزة.
- تحتوي البطارية على 3 مصابيح تشير إلى مستوى الشحن، فكلما زاد عدد المصابيح المضيئة، زاد مستوى شحن البطارية.

شحن البطارية (باستخدام الشاحن)

الشكل ج

- أخرج البطارية (2) من الآلة
- اقلب البطارية (2) رأساً على عقب، وقم بزلقها في الشاحن (5)، كما هو مبين في الشكل ج.
- اضغط على البطارية حتى تندفع بشكل كامل في الفتحة.
- قم بتوصيل قابس الشاحن بمنفذ تيار كهربائي وانتظر لوهلة.
- ستضيئ مؤشرات LED الموجودة في الشاحن (6) وتبين حالة الشاحن.

مؤشرات LED (6)

الشكل ج

يحتوي الشاحن على مؤشري LED (6) يشيران إلى حالة عملية الشحن:

مصابيح LED الحالة:	مصابيح LED أخضر الحالة:	حالة الشاحن
إيقاف تشغيل	إيقاف تشغيل	لا توجد طاقة
تشغيل	إيقاف تشغيل	وضع الاستعداد: - لم يتم إدخال أي بطارية أو - تم إدخال بطارية، ولكن نفذ شحنها منذ أكثر من ساعتين
وميض	وميض	بطارية معيبة
تشغيل	وميض	شحن البطارية قيد التقدم
تشغيل	تشغيل	انتهى شحن البطارية، وتم شحن البطارية بالكامل
وميض	إيقاف تشغيل	البطارية ساخنة جداً، وتم تعليق شحنها. وسيبدا الشحن تلقائياً بعد أن يبرد البطارية.

- قد يستغرق شحن البطارية بالكامل ما يصل إلى 60 دقيقة.
- بعد شحن البطارية بالكامل، قم بإزالة قابس الشاحن من المنفذ، وقم بإزالة البطارية من الشاحن.
- يمكن تخزين البطارية أو تركيبها في الآلة مباشرة.

يمكن تخزين خلايا ليثيوم أيون لفترة زمنية طويلة دون أن تفقد كثير من شحنها. وفي حالة عدم استخدام الآلة لفترة زمنية طويلة، فمن الأفضل تخزين البطارية في حالة مشحونة.



تركيب وإزالة لقم المفكات أو المثاقيب

الشكل أ

قم دائماً بإزالة البطارية قبل تركيب ملحق. إن ظرف المثقاب (7) مناسب للقم المفكات والمثاقيب ذات العمود المستدير، بالإضافة إلى العمود السداسي.



- امسك الآلة بيد واحدة بإحكام
- افتح ظرف المثقاب (7) عن طريق تدوير الطرف باستخدام يدك الأخرى في اتجاه عقارب الساعة حتى يتم فتحه بشكل أكبر يكفي لزلق اللقمة فيه.
- أدخل عمود المثقاب أو لقمة المفك

- اربط طرف المثقاب مرة أخرى بإحكام عن طريق تدوير جلبة الطرف في عكس اتجاه عقارب الساعة.
- تحقق من توسيط اللقمة جيداً عن طريق تنشيط مفتاح التشغيل/إيقاف التشغيل بالآلة لفترة وجيزة.

ضبط التروس

الشكل أ

لا تقم أبداً بتبديل التروس أثناء تشغيل الموتور، فإن هذا سيئلف الآلة.



ولا تقم أبداً بالتبديل في منتصف الموضوعين، فإن هذا سيئلف التلك.



- تشتمل الآلة على سرعتين للثقب يمكن ضبطهما عن طريق زلق مفتاح التروس (9) للأمام أو الخلف. ويبين الرقم الموجود على مفتاح التروس (9) الموضع المختار.
- الموضع 1: للثقب البطيء أو قطر الثقب الكبير أو ربط البراغي.
 - وتشتمل الآلة على طاقة عالية في السرعة المنخفضة.
 - الموضع 2: للثقب السريع أو قطر الثقب الصغير.

ضبط اتجاه الدوران

الشكل أ

- اضبط مفتاح الاتجاه (10) على الموضع «←» لربط البراغي أو لاستخدام الجهاز للثقب.
- اضبط مفتاح الاتجاه (10) على الموضع «→» لفك البراغي

تشغيل الآلة وإيقاف تشغيلها

الشكل أ

- يتم استخدام مفتاح التشغيل/إيقاف التشغيل (11) لتنشيط الآلة وضبط سرعة الدوران.
- سيؤدي الضغط على مفتاح التشغيل/إيقاف التشغيل (11) إلى تنشيط الآلة، فكلما زاد الضغط على المفتاح، زادت سرعة دوران المثقاب.
 - سيؤدي تحرير مفتاح التشغيل/إيقاف التشغيل (11) إلى إيقاف الآلة.
 - حرك مفتاح عكس الاتجاه (10) إلى موضع المنتصف لإيقاف حركة مفتاح التشغيل/إيقاف التشغيل. فلا يمكن تنشيط هذا المفتاح في هذا الموضع.

لا تضع الآلة على الأرض إلا في حالة توقفها عن العمل بشكل كامل. ولا تضعها على سطح به أتربة، فقد تدخل جسيمات الأتربة إلى الآلية.



ضبط عزم الدوران

الشكل أ

تشتمل الآلة على إعدادات مختلفة لعزم الدوران ووضع ثقب خاص لضبط الطاقة المُنفقولة إلى الطرف.

- عن طريق تدوير حلقة ضبط عزم الدوران (12)، يمكن ربط البراغي على عمق محدد مسبقاً، وهذا أمر مثالي بالنسبة للعمل المتكرر. فكلما زاد الرقم، سيتم نقل المزيد من عزم الدوران.
- حدد إعداداً منخفضاً للبراغي الصغيرة أو مادة العمل اللينة.
 - حدد إعداداً مرتفعاً للبراغي الكبيرة، ومواد العمل الصلبة، وعند إزالة البراغي.

- يجب أن تختار على نحو أفضل إعدادًا منخفضًا قدر المستطاع عند ربط البراغي. وحدد إعدادًا مرتفعًا في حالة انزلاق الموتور قبل إحكام ربط البرغي بشكل كامل.
- بالنسبة للثقب، أدر حلقة ضبط عزم الدوران (12) إلى إعداد الثقب عن طريق تدويرها بشكل كامل في عكس اتجاه عقارب الساعة.

تأكد من ضبط مفتاح الاتجاه (10) دائمًا على ← أثناء الثقب.



- الآلة مزودة بوظيفة الحماية الإلكترونية من الحمل الزائد. وعند زيادة الحمل على الآلة، فستوقف عن التشغيل تلقائيًا. وعندما يحدث ذلك، يُرجى الانتظار ٥ ثوانٍ حتى يتسنى للحماية من الحمل الزائد إعادة ضبط نفسها.



مصباح العمل (13)

الشكل أ

- الآلة مزودة بمصباح عمل لإنارة منطقة العمل.
- يضيء تلقائيًا عند الضغط على مفتاح التشغيل/إيقاف التشغيل.
- ينطفئ تلقائيًا عند تحرير مفتاح التشغيل/إيقاف التشغيل مرة أخرى.

خطاف الحزام (14)

الشكل أ

الآلة مزودة بخطاف حزام لتعليق الآلة بحزامك أثناء الاستخدام.



قم دائمًا بتبديل مفتاح الاتجاه (10) إلى موضع المنتصف لتجنب بدء التشغيل المفاجئ للآلة.

- عند التسليم خطاف الحزام (14)، يتم تركيبه بالجانب الأيسر للآلة.
- يمكن إزالة خطاف الحزام بسرعة عن طريق إزالة البرغي الموجود على الخطاف وإخراجه منه.
- يمكن تركيبه على الجانب الأيمن للآلة عندما يُفضل القيام بذلك.

تلميحَات للمستخدمين

- عند ربط البراغي في الخشب والمعدن والمواد الأخرى:
- قبل استخدام طرف الجهاز، تحقق من تركيب لقمة المثقاب أو البرغي وتوسيطها داخل طرف المثقاب بشكل صحيح.
- تتوفر لقم البرغي بالعديد من الأشكال والأبعاد. وعند عدم التأكد من ذلك، جرّب دائمًا ما إذا كان يتم تركيب اللقمة على رأس البرغي دون أي تشغيل حر قبل استخدام الآلة.
- تأكد من عدم تشغيل الآلة عند ملامستها للبرغي. فقد تنزلق اللقمة الدوارة. وقد يؤدي هذا إلى تلف قطعة العمل.

عند الثقب في الخشب والمعدن والمواد الأخرى:

- مع المثاقيب ذات القطر الصغير، استخدم سرعة ثقب عالية.
- أما بالنسبة للمثاقيب ذات القطر الكبير، استخدم سرعة ثقب منخفضة.
- بالنسبة للمواد الصلبة، حدد سرعة ثقب منخفضة، وأما بالنسبة للمواد اللينة، حدد سرعة ثقب عالية.
- قم بتثبيت قطعة العمل بشكل صحيح، ويُفضل أن يكون ذلك باستخدام مشبك أو ملزمة.
- أثناء الثقب، اسحب المثقاب للخلف إلى خارج الفتحة بشكل متكرر حتى تتم إزالة نشارة أو أتربة المثقاب.

عند الثقب في المعدن:

- استخدم مثقاب معادن (HSS). للحصول على أفضل نتائج ينبغي تبريد اللقمة بالزيت.
- كما يمكن استخدام مثاقيب المعادن (HSS) في ثقب البلاستيك.

٤. الصيانة

قبل التنظيف والصيانة، قم دائمًا بإيقاف تشغيل الآلة وإزالة حزمة البطارية من الآلة.



قم بتنظيف أغطية الآلة باستخدام قطعة قماش ناعمة بصفة منتظمة، ويُفضل أن يتم ذلك بعد كل استخدام. وتأكد من خلو فتحات التهوية من الأتربة والأوساخ. وقم بإزالة الأوساخ العنيدة جدًا باستخدام قطعة قماش ناعمة مغموسة في رغوة الصابون. لا تستخدم أي مذيبات، مثل البنزين والكحول والأمونيا وغيرها. فإن مثل هذه المواد الكيميائية ستؤدي إلى تلف المكونات الاصطناعية.

البيئة

يجب تجميع الأجهزة الكهربائية أو الإلكترونية المعيبة و/أو المهملة في مواقع إعادة التدوير المناسبة.



لبلدان الاتحاد الأوروبي فقط

لا تتخلص من الأدوات الكهربائية في النفايات المنزلية. ووفقًا للتوجيه الأوروبي 2012/19/EU بخصوص نفايات المعدات الكهربائية والإلكترونية وتنفيذها في حق وطني، يجب جمع الأدوات الكهربائية التي لم تعد صالحة للاستعمال بشكل منفصل والتخلص منها بطريقة صديقة للبيئة.

الضمان

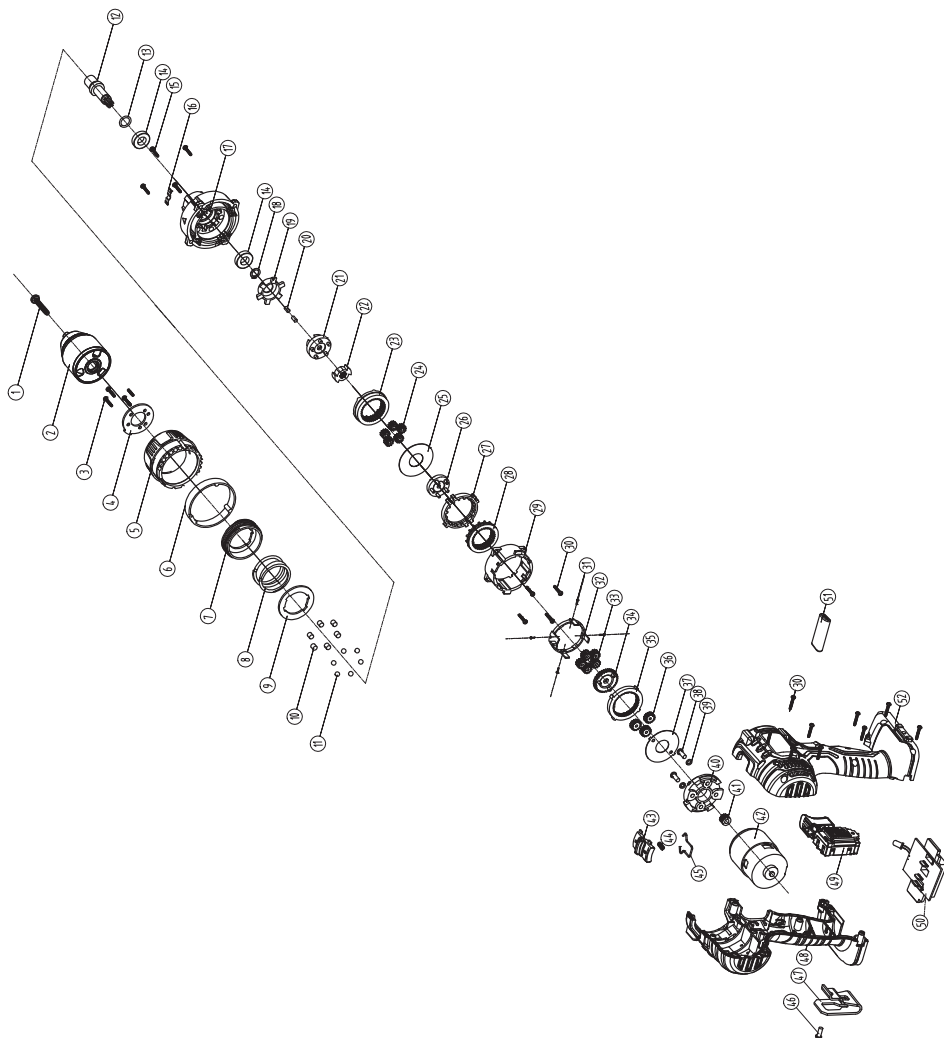
يمكن العثور على شروط الضمان في بطاقة الضمان المرفقة بشكل منفصل.

المنتج ودليل المستخدم عرضة للتغيير. ويمكن تغيير المواصفات دون إشعار آخر.

Spare parts list**CDM1141P**

No	Description	Position
CDA1131P	Quick charger 20V	
CDA1132P	Battery 20V - 2.0Ah Li-Ion	
481160	13MM Keyless chuck	2
481161	Gear box assembled	3...37 40
481162	Mabuchi motor complete	41 42
481163	Belt hook + screw	46 47
481164	Switch	49
481165	Terminal + PCB assembly	50

Exploded view





DECLARATION OF CONFORMITY CDM1141P - CORDLESS LI-ION DRILL

- (EN) We declare under our sole responsibility that this product is in conformity with directive 2011/65/EU of the European parliament and of the council of 8 June on the restriction of the use of certain hazardous substances in electrical and electronic equipment is in conformity and accordance with the following standards and regulations:
- (DE) Der Hersteller erklärt eigenverantwortlich, dass dieses Produkt der Direktive 2011/65/EU des Europäischen Parlaments und des Rats vom 8. Juni 2011 über die Einschränkung der Anwendung von bestimmten gefährlichen Stoffen in elektrischen und elektronischen Geräten entspricht. den folgenden Standards und Vorschriften entspricht:
- (NL) Wij verklaren onder onze volledige verantwoordelijkheid dat dit product voldoet aan de conform Richtlijn 2011/65/EU van het Europees Parlement en de Raad van 8 juni 2011 betreffende beperking van het gebruik van bepaalde gevaarlijke stoffen in elektrische en elektronische apparatuur en in overeenstemming is met de volgende standaarden en reguleringen:
- (FR) Nous déclarons sous notre seule responsabilité que ce produit est conforme aux standards et directives suivants: est conforme à la Directive 2011/65/EU du Parlement Européen et du Conseil du 8 juin 2011 concernant la limitation d'usage de certaines substances dangereuses dans l'équipement électrique et électronique.
- (ES) Declaramos bajo nuestra exclusiva responsabilidad que este producto cumple con las siguientes normas y estándares de funcionamiento: se encuentra conforme con la Directiva 2011/65/UE del Parlamento Europeo y del Consejo de 8 de junio de 2011 sobre la restricción del uso de determinadas sustancias peligrosas en los equipos eléctricos y electrónicos.
- (PT) Declaramos por nossa total responsabilidade de que este produto está em conformidade e cumpre as normas e regulamentações que se seguem: está em conformidade com a Directiva 2011/65/UE do Parlamento Europeu e com o Conselho de 8 de Junho de 2011 no que respeita à restrição de utilização de determinadas substâncias perigosas existentes em equipamento eléctrico e electrónico.
- (IT) Dichiariamo, sotto la nostra responsabilità, che questo prodotto è conforme alle normative e ai regolamenti seguenti: è conforme alla Direttiva 2011/65/UE del Parlamento Europeo e del Consiglio dell'8 giugno 2011 sulla limitazione dell'uso di determinate sostanze pericolose nelle apparecchiature elettriche ed elettroniche.
- (SV) Vi garanterar på eget ansvar att denna produkt uppfyller och följer följande standarder och bestämmelser: uppfyller direktiv 2011/65/EU från Europeiska parlamentet och EG-rådet från den 8 juni 2011 om begränsningen av användning av farliga substanser i elektrisk och elektronisk utrustning.
- (FI) Vakuutamme yksinomaan omalla vastuullamme, että tämä tuote täyttää seuraavat standardit ja säädokset: täyttää Euroopan parlamentin ja neuvoston 8. kesäkuuta 2011 päivätyn direktiivin 2011/65/EU vaatimukset koskien vaarallisten aineiden käytön rajoitusta sähkö- ja elektronisissa laitteissa.
- (NO) Vi erklærer under vårt eget ansvar at dette produktet er i samsvar med følgende standarder og regler: er i samsvar med EU-direktiv 2011/65/UE fra Europa-parlamentet og Europa-rådet, pr. 8 juni 2011, om begrensning i bruken av visse farlige stoffer i elektrisk og elektronisk utstyr.
- (DA) Vi erklærer under eget ansvar, at dette produkt er i overensstemmelse med følgende standarder og bestemmelser: er i overensstemmelse med direktiv 2011/65/UE fra Europa-Parlamentet og Rådet af 8. juni 2011 om begrænsning af anvendelsen af visse farlige stoffer i elektrisk og elektronisk udstyr.
- (HU) Felelősségünk teljes tudatában kijelentjük, hogy ez a termék teljes mértékben megfelel az alábbi szabványoknak és előírásoknak: je v souladu se směrnicí 2011/65/EU Evropského parlamentu a Rady EU ze dne 8. června 2011, která se týká omezení použití určitých nebezpečných látek v elektrických a elektronických zařízeních.
- (CS) Na naši vlastní zodpovědnost prohlašujeme, že je tento výrobek v souladu s následujícími standardy a normami: Je v souladu s normou 2011/65/EU Evropského parlamentu a Rady z 8. června 2011 týkající se omezení používání určitých nebezpečných látek v elektrickom a elektronickom vybavení.
- (SK) Vyhlasujeme na našu výhradnú zodpovednosť, že tento výrobok je v zhode a súlade s nasledujúcimi normami a predpismi: Je v súlade s normou 2011/65/EU Európskeho parlamentu a Rady z 8. júna 2011 týkajúcej sa obmedzenia používania určitých nebezpečných látok v elektrickom a elektronickom vybavení.
- (SL) S polno odgovornostjo izjavljamo, da je ta izdelek v skladu in da odgovarja naslednjim standardom ter predpisom: je v skladu z direktivo 2011/65/EU Evropskega parlamenta in Sveta z dne 8. junij 2011 o omejevanju uporabe določenih nevarnih snovi v električni in elektronski opremi.
- (PL) Deklarujemy na własną odpowiedzialność, że ten produkt spełnia wymogi zawarte w następujących normach i przepisach: jest zgodny z Dyrektywą 2011/65/UE Parlamentu Europejskiego i Rady z dnia 8 czerwca 2011 r. w sprawie ograniczenia stosowania niektórych niebezpiecznych substancji w sprzęcie elektrycznym i elektronicznym.
- (LT) Prisiimdami visą atsakomybę deklaruojame, kad šis gaminys atitinka žemiau paminėtus standartus arba nuostatus: atitinka 2011 m. birželio 8 d. Europos Parlamento ir Tarybos direktyvą 2011/65/EB dėl tam tikrų pavojingų medžiagų naudojimo elektros ir elektroninėje įrangoje apribojimo.
- (LV) Ir atbilstoši Eiropas Parlamenta un Padomes 2011. gada 8. jūnija Direktīvai 2011/65/ES par dažu bīstamu vielu izmantošanu ierobežošanu elektriskās iekārtās.
- (ET) Arvabvojam ar visu atbildību, ka šis produktis ir saskaņā un atbilst sekojošiem standartiem un nolikumiem: ir atbilstoši Eiropas Parlamenta un Padomes 2011. gada 8. jūnija Direktīvai 2011/65/ES par dažu bīstamu vielu izmantošanas ierobežošanu elektriskās iekārtās.
- (RO) Declaram prin aceasta cu răspunderea deplină că produsul acesta este în conformitate cu următoarele standarde sau directive: este în conformitate cu Directiva 2011/65/UE a Parlamentului European și a Consiliului din 8 iunie 2011 cu privire la interzicerea utilizării anumitor substanțe periculoase la echipamentele electrice și electronice.
- (HR) Izjavljujemo pod vlastitom odgovornošću da je strojem ukladan sa sljedećim standardima ili standardiziranim dokumentima i u skladu sa odredbama: usklađeno s Direktivom 2011/65/EU Evropskog parlamenta i vijeća izdanom 8. lipnja 2011. o ograničenju korištenja određenih opasnih tvari u električnoj i elektroničkoj opremi.
- (SRL) Pod punom odgovornošću izjavljujemo da je usaglašen sa sledećim standardima ili normama: usaglašen sa direktivom 2011/65/EU Evropskog parlamenta i Saveta od 8. juna 2011. godine za restrikciju upotrebe određenih opasnih materija u električnoj i elektronskoj opremi.
- (RU) Под свою ответственность заявляем, что данное изделие соответствует следующим стандартам и нормам: соответствует требованиям Директивы 2011/65/ЕU Европейского парламента и совета от 8 июня 2011 г. по ограничению использования определенных опасных веществ в электрическом и электронном оборудовании
- (UK) Na svoju vlasnu відповідальність заявляємо, що дане обладнання відповідає наступним стандартам і нормативам: задовольняє вимоги Директиви 2011/65/ЄС Європейського Парламенту та Ради від 8 червня 2011 року на обмеження використання деяких небезпечних речовин в електричному та електронному обладнанні.
- (EL) Δηλώνουμε υπεύθυνα ότι το προϊόν αυτό συμμορφώνεται και τρέφει τους παρακάτω κανονισμούς και πρότυπα: συμμορφώνεται με την Οδηγία 2011/65/ΕΕ του Ευρωπαϊκού Κοινοβουλίου και του Συμβουλίου της 8ης Ιουνίου 2011 για τον περιορισμό της χρήσης ορισμένων επικίνδυνων ουσιών σε ηλεκτρικό και ηλεκτρονικό εξοπλισμό.
- (AR) نعلن على مسؤوليتنا بأكملها ان هذا المنتج يتوافق مع المتطلبات الواردة في توجيهات الاتحاد الأوروبي رقم 2011/65/تاريخه 8 يونيو 2011.
- (TR) Sor sorumluluğumuz altında bu ürünün aşağıdaki standart ve yönergelere uygun olduğunu beyan ederiz.

**EN 55014-1, EN 55014-2, EN 61000-3-2, EN 61000-3-3, EN 62233
EN 62841-1, EN 62841-2-1, EN 60335-1, EN 60335-2-29,
2006/42/EC, 2011/65/EU, 2012/19/EU, 2014/35/EU, 2014/30/EU**

Zwolle, 01-01-2020

H.G.F Rosberg
CEO FERM

FERM - Lingenstraat 6 - 8028 PM - Zwolle - The Netherlands

