



P.I.T.[®]

Progressive Innovational Technology



PRODUCT PASSPORT
USER'S MANUAL



ПАСПОРТ ИЗДЕЛИЯ ИНСТРУКЦИЯ
ПОЛЬЗОВАТЕЛЯ

VACUUM CLEANER ПЫЛЕСОС СТРОИТЕЛЬНЫЙ



EAC

PVC20-C
PVC30-C

PROGRESSIVE INNOVATIONAL TECHNOLOGY

ПРОГРЕССИВНЫЕ ИННОВАЦИОННЫЕ ТЕХНОЛОГИИ



GENERAL SAFETY PRECAUTIONS

1. Safety at work place:

- a) Keep the workplace clean and well lit. The disorder or unlit places can lead to accidents.
- b) Do not operate this power tool in an explosive environment where flammable liquids, flammable gases or dust are present.
- c) During a power tool operation, avoid close to your work place, children and unauthorized persons. Distracted, you can lose control of the power tool.

2. Electric safety:

- a) The plug of the power tool must match the plug socket. Do not change the plug in any way. Do not use adapter plugs for power tools with protective ground. Unmodified plugs and matching sockets will reduce the electric shock risk.
- b) Take the necessary precautions against electric shock. Avoid contact of the tool case with grounded surfaces such as pipes, heating, and refrigerators.
- c) Protect the power tool from rain and dampness. The penetration of water into the power tool increases the electric shock risk.
- d) It is not allowed to use the cord for other purposes, for example, for transportation or hanging of the power tool, or for pulling the plug from the plug socket. Protect the cord from high temperatures, oil, sharp edges or moving parts of the power tool. A damaged or entangled cord increases the electric shock risk.
- e) Use an appropriate extension cord when taking care of outdoor activities. Only use an extension cord that is suitable for outdoor use.
- f) If it is not possible to avoid using the power tool in a damp location, install the interrupter device for short-circuit current. The use of the interrupter device for short-circuit current reduces the electric shock risk.

3. Personal safety:

- a) Be careful, keep an eye on what you are doing, and thoughtfully start caring with the power tool. Do not use the power tool when you are tired or when you are under the influence of drugs, alcohol or medication. One moment of inattention during power tools operation may result in serious personal injury.
- b) Wear personal protective equipment and safety glasses at all times. The use of personal protective equipment: a protective mask, shoes with non-slip soles, a protective helmet or hearing protection depending on the type of the power tool operation reduces the injury risk.
- c) Prevent inadvertent energisation of the power tool. Before connecting the power tool to the power supply and/or to the battery, make sure that the power tool is turned off. Do not hold the connected tool by the on/off control.
- d) Do not take the unnatural position of the body. Always take a steady position and always keep your balance. Thanks to this, you can better control the power tool in unexpected situations.
- e) Wear suitable work clothing. Do not wear loose clothing or apparels.

4. Careful and correct handling and use of power tools:

- a) Do not overload the power tool. Use the power tool designed for this purpose of your work. With a suitable power tool, you work better and more reliably in the specified power range.
- b) Do not operate the power tool with a faulty on/off control. A power tool that cannot be turned on or off is dangerous and must be repaired.
- c) Before setting up the power tool, disconnect the plug from the mains socket and/or remove the battery before replacing the accessories and stopping the operation. This precaution prevents inadvertent energisation of the power tool.
- d) Keep unused power tools out of the reach of children. Do not allow persons unfamiliar with the power tool or who have not read these manuals to use it. Power tools are dangerous in the hands of inexperienced persons.
- e) Take good care of the power tool. Check operability and the course of moving parts of the power tool, absence of breakages or damages negatively influencing functioning of the power tool. Damaged parts must be repaired before using the power tool. Bad maintenance of power tools is the cause of a large number of accidents.
- f) Use power tools, accessories, work tools, etc. in accordance with these manuals. Take into account the working conditions and the work performed. The use of power tools for unintended work can lead to dangerous situations.
- g) The unused power tool shall be stored in a dry, closed place inaccessible to children! Do not allow persons who have not read this manual to use the power tool.

INTENDED USE

Multi-purpose vacuum cleaners designed for the cleaning of the premises: collection of wood shavings and sawdust, dust, light fractions of construction waste resulting from operation of manual and power tools (dry cleaning) and collecting water from the floor surface (wet cleaning).



Model PVC 20-C Premium

EXPLANATION OF P.I.T. TRADEMARK

P.I.T. Progressive Innovational Technology

Currently, 10 kinds of mechanical and electrical equipment are produced under the P.I.T. trademark. In terms of sales, multi-purpose vacuum cleaners occupy one of the leading positions.

Each letter and number in the designation of the model of P.I.T multi-purpose vacuum cleaner has the meaning.

For example, **PVC20-C Premium**:

P – Trademark of P.I.T.

VC – multi-purpose vacuum cleaner

20 – dust collector volume

C – modification series

OPERATION PRINCIPLE

The engine drives the pump, which creates a vacuum, whereby the contaminated outdoor air is intake through the hose. The power of the vacuum cleaner engine allows you to create a large pulling force, so that with the help of technology you can remove heavy particles, which cannot cope with an ordinary household vacuum cleaner. The intake air passes through the filtration system, and comes out in a purified form, while the solids remain in the dust collector, and partially - in the filters.

PRODUCT SPECIFICATIONS

	PVC20-C Premium	PVC30-C Premium
Rated voltage	220 V	220 V
Hose length	3 m	3 m
Dust collector volume	20 l	30 l
Socket for power tool connection	yes	yes
Rated capacity	1,500 W	1,500 W
Max. capacity of connected tool	2,000 W	2,000 W
Weight	6,75 kg	7,1 kg

FUNCTIONAL CAPABILITIES AND FEATURES OF THE MULTI-PURPOSE VACUUM CLEANER

Functional Capabilities:

Cleaning of dust, sawdust, shavings.

Collection of water from the surface.

Features:

- Dry cleaning
- Wet cleaning
- Working together with power tools

Note: ■ – available □ – not available

MODEL	STAINLESS STEEL CASE	CLOTH BAG	PAPER BAG	CYCLONE FILTER	AQUAFILTER
PVC20-C Premium	■	■	■	□	□
PVC30-C Premium	■	■	■	□	□

MULTI-PURPOSE VACUUM CLEANER ASSEMBLY



Рис.2

Model PVC 20-C Premium

Fig. 2

- | | |
|------------------------|--------------------------------------|
| 1. Base | 7. Electromotor section |
| 2. Roller | 8. Switch |
| 3. Head piece | 9. Socket for power tools connection |
| 4. Tank | 10. Handle |
| 5. Hose | 11. Lock |
| 6. Telescopic extender | |

ASSEMBLY AND PREPARATION OF THE VACUUM CLEANER

Rollers installation (Fig. 2)

Turn the vacuum cleaner over. Install the four rollers (2) in the special holes at the bottom of the base (1). Place the vacuum cleaner rollers (2) on a horizontal, flat and stable surface.

Filter installation (Fig. 2-4)

Operation of the vacuum cleaner without a filter is prohibited!

Unlock the two locks (11) on both sides of the vacuum cleaner and remove the electromotor section (7) by the handle (10). Depending on the type of cleaning, install the appropriate filter. For dry cleaning (without water intake), install a folded paper filter (14) or a polyurethane filter (15) on the filter case (13). Also, during dry cleaning from the tank inside part (4), install a paper filter bag (17) on the slot (15). (Fig.4). Always check that the bag is full (17) and replaces it as it is filled. In case of wet cleaning (water intake) only polyurethane filter (15) is allowed (Fig.4). After installing the appropriate filter by the handle (10), correctly install the electromotor section (7) on the tank (4) and lock by the two locks (11). Make sure that the float safety valve (12) moves freely in the filter case (13) and that the electromotor section (7) is placed on the tank (4) at the bottom of the filter case (13).

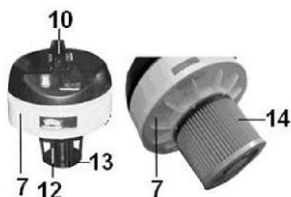


Fig. 3

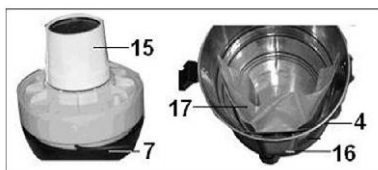


Fig. 4

Corrugated hose installation (Fig.2, 4)

With rotating motion, install the mouth hose (5) into the slot (16) so that the locks (apron) on the socket of the mouth hose (5) included in the locking groove of the slot (16).

Make sure that the hose (5) is not twisted and that nothing interferes with the movement of air in it. Do not overpressure the hose (5).

Action of the three-position switch (Fig. 2)

Before operation, carefully examine the action of the three-position switch (8):

- Neutral (middle) position – vacuum cleaner off;
- Position “I” - the vacuum cleaner is turn on after a few seconds only after starting the power tool connected to the socket (9) and the vacuum cleaner is turn off after a few seconds only after stopping the power tool connected to the socket (9) ;
- Position “II” - the vacuum cleaner is turn on, regardless of the fact of the power tool connection to the socket (9).

Head piece installation (Fig.2)

Install the head piece (3) on the intake hose tube (5). The type of head piece is selected depending on the cleaning characteristics. The package includes three head pieces (see Fig. 1).

For dust removal from hard-to-reach places, boxes, cases, cracks, heating radiators the crevice tool (II) is used (Fig. 1). For cleaning of carpets and floors the head piece (I) is intended (Fig.1) for dry cleaning, which has two fixed brush positions - the bristles are extended and the bristles are removed. Fixing the brush is made with a special pedal lever.

Head piece (B) (Fig.1) with permanently extended bristles designed for wet cleaning (with water intake) from smooth surfaces. If necessary, for example, if the length of the hose is not enough when cleaning the floor, ceiling, walls, etc., connect the hose tube (5) to the head piece (3) through an extension cord (6) (Fig. 2).

Connecting the power tool (Fig. 2)

The electromotor section (7) is equipped with a socket (9) for connecting the power tool, which provides automatic turning on and off of the vacuum cleaner at the same time as turning on or off the power tool. Carefully read the instructions, rules and manuals of the connected power tool. Before connecting the power cord of the power tool to a socket (9), make sure that:

- The power tool is in good condition;
- The power tool does not exceed the maximum permissible power;
- The power cord plug of the power tool fits into the socket (9) of the vacuum cleaner;
- The power tool is off (pay attention to the power tool on/off control).

On many power tools the tube of a dust collector for connection to a vacuum cleaner is provided. The vacuum cleaner is supplied with an adapter (H) (Fig.1) to connect the hose tube (5) (Fig.2) with dust-removing tube of power tool.

Moving the vacuum cleaner

For ease of movement, the vacuum cleaner has turning rollers (2). The vacuum cleaner can only be moved and rolled by the handle (10). Move the vacuum cleaner is necessary when the electromotor is turned off. Watch the power cord. Move the vacuum cleaner to match the power cord length, or disconnect the vacuum cleaner from the power socket.

OPERATION**Turn on (Fig. 2)**

Set the switch (8) to the neutral position.

Connect the plug of the vacuum cleaner power cord to an electrical socket.

Turn the switch (8) to position "II": the vacuum cleaner will turn on. Let the vacuum cleaner run for at least two minutes at idle. If you find something abnormal in the vacuum cleaner operation, immediately disconnect the vacuum cleaner by turning the switch (8) to the neutral position and unplug the power cord from the electrical socket.

Then repeat all the steps in this manual again and check that the vacuum cleaner is properly assembled and prepared for use. If the cause of incorrect operation has not been identified, contact a certified technical service center.

Attention! Let the vacuum cleaner run idle for at least 5 minutes when you turn it on for the first time. At this time, the appearance of strange smell: this is due to the electromotor run-in. Soon this smells should disappear.

Dry cleaning

For dry cleaning, a suitable filter (14) or (15), filter bag (17) and head piece must be installed on the filter case (13). Turn on the vacuum cleaner and start cleaning. Regularly check the condition of the hose (5) (Fig.2) and head pieces. Any head piece and hose (5) (Fig. 2) must freely pass the intake air. Do not allow debris to clog the head piece. During dry cleaning, the vacuum cleaner should not absorb damp. Periodically monitor the filling of the filter bag (17) (Fig.5).

Wet cleaning

For wet cleaning, only the polyurethane filter (15) and the appropriate head piece must be installed. Filter bag (17) (Fig. 8) is not installed.

Start cleaning. Regularly check the condition of the hose (5) (Fig. 2) and head piece.

Any head piece and hose (5) (Fig.2) must freely pass the intake air and water. Do not allow debris to clog the head piece. Water is absorbed and stored in the tank (4) (Fig. 2). Once the water level in the tank (4) has exceeded the maximum permissible value, the safety valve (12) (Fig. 4) overlaps the intake opening and the intake stops. This can be understood by changing the sound of a working vacuum cleaner. In this case, immediately turn off the vacuum cleaner. Always drain the water from the tank (4) after use (Fig. 2), dry the vacuum cleaner. Always check the safety valve (12) for free movement in the filter case (13) before operating (for the power cord is disconnected from the mains socket) (Fig. 4).

Working together with power tool (Fig. 2)

Connect the power tool to the vacuum cleaner.

The power tool must be in the off condition (pay attention to the power tool on/off control). Turn the vacuum cleaner switch (8) to the "I" position. Start working with the power tool. A few seconds after powering on the power tool, the vacuum cleaner will power on, which collects debris and dust formed as a result of the power tool operation. After disconnecting the power tool, after a few seconds, the vacuum cleaner will also stop working.

If your power has a power less than the power at which the simultaneous operation is possible with a vacuum cleaner, you must turn the switch (8) to "II" position. In this case, the vacuum cleaner will power on and will work constantly until it is powered off (switch (8) to neutral – middle position) regardless of whether the power tool is powered on or not. It is in this mode that the vacuum cleaner can work with a low-power power tool.

CLEANING AND MAINTENANCE

Cleaning after dry cleaning

- Remove the paper filter bag (17) (Fig. 5). In case of filling the filter bag (17), replace it with a new one;
- Do not wait until the complete filling of the paper filter bag (17) (Fig.4), change it by filling. Excessive filling of the bag will reduce the performance of the vacuum cleaner, so monitor the filling of the filter bag (17), taking into account the properties of intake debris;

Carefully remove from the filter case (13) the folded paper filter (14) or polyurethane filter (15) (Fig.3, 4) and clean them from dust and dirt (13);

- If necessary, carefully blow out the folded filter (14) with compressed air from the inside to the outside;
- The polyurethane filter (15) (Fig. 5) can be washed with clean water and soap, after which it is necessary to rinse it with clean water, clean it and dry it;
- If you find that one of the filters is damaged or not installed for operation, replace it with a new one;
- Clean the inner surface of the tank (4) (Fig. 2) from dust and dirt. If necessary, wash the tank (4) with clean water using a liquid (non-abrasive) detergent. After that, rinse it well again with clean water and dry until completely dry.

Cleaning after wet cleaning

- Completely drain the water from the tank (4) (Fig.2)
- Remove and wash the polyurethane filter (15) with clean water (Fig.4), after which it is necessary to dry it;
- If necessary, clean the tank (4) (Fig. 2, 4) with clean water using non-abrasive detergent. After that, rinse it well again with clean water and dry it until dry.

After any cleaning, install the filters in place by the handle (10), correctly install the electromotor section (7) on the tank (4) and lock with the two locks (11) (Fig. 2). Ensure that the float safety valve (12) (Fig. 3) moves freely in the filter case (13) and when installing the electromotor section (7) on the tank (4) is located in the lower part of the filter case (13).

General maintenance

The vacuum cleaner does not require constant maintenance, but careful care is necessary. This will be the key to the normal operation of the vacuum cleaner and eliminate possible injuries.

- Do not allow dust, debris and foreign objects to accumulate on the outside of the vacuum cleaner and its parts
- Replace worn filters and parts as needed.
- Clean the roller supports (2) regularly (Fig.2) from dust and dirt, as well as from the nap, cloth, etc.
- The vacuum cleaner should always be checked before work. All faults must be corrected.
- After completing the operation of the vacuum cleaner, strictly follow all cleaning instructions.

Transportation

-To transport the vacuum cleaner over long distances, use the factory or other packaging to prevent damage during transportation. Disassemble and pack the vacuum cleaner as it was packed when you bought it.

-Transport the vacuum cleaner in a fixed position that prevents it from moving through the cargo body during transportation.

Storage

- Before placing the vacuum cleaner for long-term storage, make sure that the storage room is dry and clean.
- Keep the vacuum cleaner out of the reach of children and unauthorized persons.
- During storage, do not allow prolonged exposure to the vacuum cleaner of high humidity and direct sunlight.
- Before storing, remove the hose (5) and head pieces from the vacuum cleaner. Do not store the vacuum cleaner with a bag full of debris (22).

Criteria of final condition

The criterion for limiting the state of a vacuum cleaner is a condition in which its further operation is unacceptable or economically inexpedient.

The criteria of final condition for the vacuum cleaner are:

- Deep corrosion and cracks on the surfaces of the bearing and case parts, section of the electromotor;
- Excessive wear or damage to the engine or a combination of signs.

Utilization

The vacuum cleaner and its components that have failed and cannot be repaired must be taken to special collection points for recycling. Do not dispose of damaged equipment to the domestic household waste!

TERMS OF WARRANTY SERVICE

1. This Warranty Certificate is the only document that confirms your right to free warranty service. Without presenting this certificate, no claims are accepted. In case of loss or damage, the warranty certificate is not restored.

2. The warranty period for the electric machine is 12 months from the date of sale, during the warranty period the service department eliminates manufacturing defects and replaces parts that have failed due to the fault of the manufacturer free of charge. In the warranty repair, an equivalent operable product is not provided. Replaceable parts become property of service providers.

P.I.T. is not liable for any damage that may be caused by operation of the electric machine.

3. Only clean tool accompanied with the following duly executed documents: this Warranty Certificate, Warranty Card, with all fields filled out, bearing the stamp of the trade organization and the signature of the buyer, shall be accepted for warranty repair.

4. Warranty repair is not performed in the following cases:

- in the absence of a Warranty Certificate and a Warranty Card or their incorrect execution;
- with failure of both a rotor and a stator of the electric engine, charring or melting of primary winding of the welding machine transformer, charging or starting-charging device, with internal parts melting, burn down of electronic circuit boards;
- if a Warranty Certificate or a Warranty Card does not correspond to this electric machine or to the form established by the supplier;
- upon expiration of the warranty period;
- at attempts of opening or repair of the electric machine outside the warranty workshop; making constructive changes and lubrication of the tool during the warranty period, as evidenced, for example, by the creases on the spline parts of the fasteners of non-rotational parts.
- when using electric tools for production or other purposes connected with making a profit, as well as in case of malfunctions related to instability of the power network parameters exceeding the norms established by GOST;
- in the events of improper operation (use the electric machine for other than intended purposes, attachments to the electric machine of attachments, accessories, etc. not provided by the manufacturer);
- with mechanical damage to the case, power cord and in case of damages caused by aggressive agents and high and low temperatures, ingress of foreign objects in the ventilation grids of the electric machine, as well as in case of damage resulting from improper storage (corrosion of metal parts);
- natural wear and tear on the parts of the electric machine, as a result of long-term operation (determined on the basis of the signs of full or partial depletion of the specified mean life, great contamination, presence of rust outside and inside the electric machine, waste lubricant in the gearbox);
- use of the tool the purposes for other than specified in the operating instructions.
- mechanical damages to the tool;
- in the event of damages due to non-observance of the operating conditions specified in the instruction (see chapter "Safety Precautions" of the Manual).
- damage to the product due to non-observance of the rules of storage and transportation.

Preventive maintenance of electric machines (cleaning, washing, lubrication, replacement of anthers, piston and sealing rings) during the warranty period is a paid service.

The service life of the product is determined by the current legislation and is 5 years from the date of manufacture.

The owner is notified of any possible violations of the above terms of warranty service upon completion of diagnostics in the service center.

The owner of the tool entrusts the diagnostic procedure to be conducted in the service center in his absence.

Do not operate the electric machine when there are signs of excessive heat, sparking, or noise in the gearbox. To determine the cause of the malfunction, the buyer should contact the warranty service center.

Malfunctions caused by late replacement of carbon brushes of the engine are eliminated at the expense of the buyer.

5. The warranty does not cover:

- replacement accessories (accessories and components), for example: batteries, discs, blades, drill bits, borers, chucks, chains, sprockets, collet clamps, guide rails, tension and fastening elements, trimming device heads, base of grinding and belt sander machines, filters, etc.,
- fast wearing parts, for example: carbon brushes, drive belts, seals, protective covers, guiding rollers, guides, rubber seals, bearings, toothed belts and wheels, shanks, brake belts, starter ratchets and ropes, piston rings, etc. Their replacement during the warranty period is a paid service;
- power cords, in case of damage to the insulation, power cords are subject to mandatory replacement without the consent of the owner (paid service);
- tool case.

P.I.T. WARRANTY CERTIFICATE

Product Name _____

Product Number □□□□□□□□□□

Place of Seal

Serial Number □□□□□□□□□□□□

Sale Date _____

Trade Organization Name _____

Dear customer!

Thank you for purchasing the P.I.T tool, and we hope that you will be satisfied with your choice. In the process of manufacturing the P.I.T tools pass multilevel quality control, if nevertheless your product will need maintenance, please contact the authorized P.I.T service centers.

Attention!

When buying, ask a seller to check the completeness and operability of the tool, to fill out the Warranty Certificate, the Warranty Card (the boxes shall be filled out by a seller) and to affix the seal of the trade organization in the Guarantee Certificate and the Warranty Card.

Warranty

By this Warranty Certificate, P.I.T. company guarantees the absence of defects of the production nature.

In the event any of the above defects are detected during the warranty period, the specialized P.I.T. service centers shall repair the product and replace the defective spare parts free of charge.

The warranty period for P.I.T. electric machines is 12 months from the date of sale.

“The warranty maintenance terms acknowledged and accepted. The operability and completeness of the product are checked in my presence. No claims on quality and appearance.”

Buyer’s Signature _____ Surname (legibly) _____

Phone _____



ОБЩИЕ МЕРЫ БЕЗОПАСНОСТИ

1. Безопасность на рабочем месте:

- Содержите рабочее место в чистоте и хорошо освещенным. Беспорядок или неосвещенные участки рабочего места могут привести к несчастным случаям.
- Не работайте с этим электроинструментом во взрывоопасном помещении, в котором находятся горючие жидкости, воспламеняющиеся газы или пыль.
- Во время работы с электроинструментом не допускайте близко к Вашему рабочему месту детей и посторонних лиц. Отвлечшись, Вы можете потерять контроль над электроинструментом.

2. Электробезопасность:

- Штепсельная вилка электроинструмента должна соответствовать штепсельной розетке. Некоим образом не изменяйте штепсельную вилку. Не применяйте переходных штекеров для электроинструментов с защитным заземлением. Неизменные штепсельные вилки и подходящие штепсельные розетки снижают риск поражения электротоком.
- Предпринимайте необходимые меры предосторожности от удара электрическим током. Избегайте контакта корпуса инструмента с заземленными поверхностями, такими как трубы, отопление, холодильник.
- Защищайте электроинструмент от дождя и сырости. Проникновение воды в электроинструмент повышает риск поражения электротоком.
- Не допускается использовать шнур не по назначению, например, для транспортировки или подвески электроинструмента, или для вытягивания вилки из штепсельной розетки. Защищайте шнур от воздействия высоких температур, масла, острых кромок или подвижных частей электроинструмента. Поврежденный или спутанный шнур повышает риск поражения электротоком.
- При работе на свежем воздухе используйте соответствующий удлинитель. Используйте только такой удлинитель, который подходит для работы на улице.
- Если невозможно избежать применения электроинструмента в сыром помещении, то устанавливайте выключатель защиты от токов поражения. Применение выключателя защиты от токов поражения снижает риск электрического поражения.

3. Личная безопасность:

- Будьте внимательными, следите за тем, что Вы делаете, и продуманно начинайте работу с электроинструментом. Не пользуйтесь электроинструментом в усталом состоянии, или если Вы находитесь под влиянием наркотиков, спиртных напитков или лекарств. Один момент неосторожности при работе с электроинструментом может привести к серьезным травмам.
- Применяйте средства индивидуальной защиты и всегда защитные очки. Использование средств индивидуальной защиты: защитной маски, обуви на нескользящей подошве, защитного шлема или средств защиты органов слуха в зависимости от вида работы электроинструмента снижает риск получения травм.
- Предотвращайте непреднамеренное включение электроинструмента. Перед подключением электроинструмента к электропитанию и/или к аккумулятору убедитесь в выключенном состоянии электроинструмента. Не держите подсоединенный инструмент за переключатель.
- Не принимайте неестественное положение корпуса тела. Всегда занимайте устойчивое положение и всегда держите равновесие. Благодаря этому Вы можете лучше контролировать электроинструмент в неожиданных ситуациях.
- Носите подходящую рабочую одежду. Не носите широкую одежду и украшения.

4. Бережное и правильное обращение и использование электроинструментов:

- Не перегружайте электроинструмент. Используйте для Вашей работы предназначенный для этого электроинструмент. С подходящим по характеристикам электроинструментом Вы работаете лучше и надежнее в указанном диапазоне мощности.
- Не работайте с электроинструментом с неисправным выключателем. Электроинструмент, который не поддается включению или выключению, опасен, и должен быть отремонтирован.
- До начала наладки электроинструмента, перед заменой принадлежностей и прекращением работы, отключайте штепсельную вилку от розетки сети и/или выньте аккумулятор. Эта мера предосторожности предотвращает непреднамеренное включение электроинструмента.
- Храните неиспользуемые электроинструменты недоступно для детей. Не разрешайте пользоваться электроинструментом лицам, которые незнакомы с ним или не читали настоящих инструкций. Электроинструменты опасны в руках неопытных лиц.
- Тщательно ухаживайте за электроинструментом. Проверяйте работоспособность и ход движущихся частей электроинструмента, отсутствие поломок или повреждений, отрицательно влияющих на функционирование электроинструмента. Поврежденные части должны быть отремонтированы до использования электроинструмента. Плохое обслуживание электроинструментов является причиной большого числа несчастных случаев.
- Применяйте электроинструмент, принадлежности, рабочие инструменты и т.п. в соответствии с настоящими инструкциями. Учитывайте при этом рабочие условия и выполняемую работу. Использование электроинструментов для непредусмотренных работ может привести к опасным ситуациям.
- Неиспользуемый инструмент должен храниться в сухом, закрытом месте, недоступном для детей! Не позволяйте использовать инструмент лицам, которые не ознакомились с настоящей инструкцией.

НАЗНАЧЕНИЕ

Пылесосы универсальные предназначены для уборки в помещениях: сбора древесной стружки и опилок, пыли, легких фракций строительного мусора, образовавшегося при работе ручных и электрических машин (сухая уборка) и сбора воды с поверхности пола (влажная уборка).

РАСШИФРОВКА ТОРГОВОЙ МАРКИ P.I.T.[®] Progressive Innovational Technology

(Прогрессивные Инновационные Технологии)

В настоящее время под маркой P.I.T. выпускается механическое и электрическое оборудование 10 видов. По объему продаж электрические модели занимают одно из лидирующих мест. Каждая буква и цифра в обозначении модели пылесоса универсального P.I.T. имеет значение.

Например, **PVC20-C Premium**:

P – торговая марка P.I.T.

VC – универсальный пылесос

20 – объем пылесборника

C – серия модификации



модель PVC20-C Premium

ПРИНЦИП РАБОТЫ

Двигатель приводит в действие насос, который создает вакуум, за счет чего происходит всасывание загрязненного наружного воздуха через шланг. Мощность двигателя пылесоса позволяет создать большую тяговую силу, благодаря чему с помощью техники можно убирать тяжелые частицы, с которыми не может справиться обычный бытовой пылесос. Всасываемый воздух проходит через систему фильтрации, и выходит в очищенном виде, тогда как твердые частицы остаются в мусоросборнике, и частично – в фильтрах.

ТЕХНИЧЕСКИЕ ХАРАКТЕРИСТИКИ

	PVC20-C Premium	PVC30-C Premium
Номинальное напряжение	220 В	220 В
Длина шланга	3 м	3 м
Объем пылесборника	20 л	30 л
Розетка для подключения электроинструмента	Да	Да
Номинальная мощность	1500 Вт	1500 Вт
Макс. мощность подключаемого инструмента	2000 Вт	2000 Вт
Вес	6,75 кг	7,1 кг

ФУНКЦИОНАЛЬНЫЕ ВОЗМОЖНОСТИ И ОСОБЕННОСТИ ПЫЛЕСОСА УНИВЕРСАЛЬНОГО

Функциональные возможности:

Уборка пыли, опилок, стружки. Сбор воды с поверхности.

Особенности:

- сухая уборка
- влажная уборка
- совместная работа с электроинструментом

Примечание: есть отсутствует

Модель	Нержавеющий корпус	Тканевый мешок	Бумажный мешок	Циклонный фильтр	Аквафильтр
PVC20-C Premium/PVC30-C Premium	<input checked="" type="checkbox"/>	<input checked="" type="checkbox"/>	<input checked="" type="checkbox"/>	<input type="checkbox"/>	<input type="checkbox"/>

УСТРОЙСТВО ПЫЛЕСОСА УНИВЕРСАЛЬНОГО



модель PVC20-C Premium

Рис.2

1. Основание
2. Ролик
3. Насадка
4. Бак
5. Шланг
6. Удлинитель телескопический

7. Секция электродвигателя
8. Переключатель
9. Розетка для подключения электроинструмента
10. Ручка
11. Замок

СБОРКА И ПОДГОТОВКА ПЫЛЕСОСА

Установка роликов (рис.2)

Переверните пылесос. Установите четыре ролика (2) в специальные отверстия в нижней части основания (1). Поставьте пылесос роликами (2) на горизонтальную, ровную устойчивую поверхность.

Установка фильтра (рис.2-4)

Работа пылесоса без фильтра запрещена

Разблокируйте два замка (11) с обеих сторон пылесоса и за ручку (10) снимите секцию электродвигателя (7). В зависимости от вида уборки, установите соответствующий фильтр. Для сухой уборки (без всасывания воды) на корпус фильтра (13) установите фильтр складчатый бумажный (14) или фильтр полиуретановый (15). Так же при сухой уборке с внутренней стороны бака (4) на гнездо (16) установите фильтр-мешок бумажный (17). (Рис.4) Всегда следите за наполнением мешка (17) и заменяйте его по мере наполнения.

При влажной уборке (всасывание воды) разрешается устанавливать только фильтр полиуретановый (15) (Рис.4)

После установки соответствующего фильтра за ручку (10) правильно установите секцию электродвигателя (7) на бак (4) и заблокируйте два замка (11). Следите за тем, чтобы поплавковый предохранительный клапан (12) свободно перемещался в корпусе фильтра (13) и при установке секции электродвигателя (7) на бак (4) находился в нижней части корпуса фильтра (13).



Рис.3

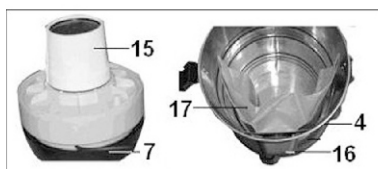


Рис.4

Установка гофрированного шланга (рис.2, 4)

Вращательным движением установите раструб шланга (5) в гнездо (15) так, чтобы замок (выступ) на раструбе шланга (5) вошел в фиксирующий паз гнезда (16).

Следите за тем, чтобы шланг (5) не перекручивался и движению воздуха в нем ничто не мешало. Не допускайте передавливание шланга (5).

Действие трехпозиционного переключателя (рис.2)

Перед работой внимательно изучите действие трехпозиционного переключателя (9):

– Нейтральная (средняя) позиция – пылесос выключен;

– Позиция «I» – пылесос включается через несколько секунд только после пуска подключенного к розетке (9) электроинструмента и пылесос отключается через несколько секунд только после остановки подключенного к розетке (9) электроинструмента;

– Позиция «II» – пылесос включен, независимо от факта подключения электроинструмента к розетке (9).

Установка насадок (рис.2)

На патрубок всасывающего шланга (5) установите насадку (3). Тип насадки выбирается в зависимости от особенностей уборки. В комплект поставки входят три насадки (см. Рис.1).

Для удаления пыли из труднодоступных мест, ящиков, шкафов, щелей, отопительных радиаторов используется щелевая насадка (Д) (Рис.1). Для чистки ковров и полов предназначена насадка (Г) (Рис.1) для сухой уборки, которая имеет два фиксированных положения щетки – щетина выдвинута и щетина убрана. Фиксация щетки производится с помощью специальной педали.

Насадка (В) (Рис.1) с постоянно выдвинутой щетиной предназначена для влажной уборки (с всасыванием воды) с гладких поверхностей.

При необходимости, например, если длины шланга не хватает при уборке пола, потолка, стен и т.д., соедините патрубок шланга (5) с насадкой (3) через удлинитель (6) (Рис.2).

Подключение электроинструмента (Рис.2)

На секции электродвигателя (7) установлена розетка (9) для подключения электроинструмента, которая обеспечивает автоматическое включение и отключение пылесоса одновременно с включением или выключением электроинструмента.

Внимательно изучите инструкции, правила и руководства по эксплуатации подключаемого электроинструмента.

Прежде чем подключать шнур питания электроинструмента к розетке (9) убедитесь, что:

- электроинструмент находится в исправном состоянии;
- электроинструмент по мощности не превышает максимально допустимую мощность;
- штепсель шнура питания электроинструмента подходит к розетке (9) пылесоса;
- электроинструмент находится в выключенном состоянии (обратите внимание на выключатели электроинструмента).

На многих электроинструментах предусмотрен патрубок пылесборника для подключения к пылесосу. В комплекте поставки пылесоса имеется адаптер (Н) (Рис.1) для соединения патрубка шланга (5) (Рис.2) с пылеудалющим патрубком электроинструмента.

Перемещение пылесоса

Для удобства перемещения пылесос имеет поворотные ролики (2). Перемешать и перекачивать пылесос можно только за ручку (10). Перемещать пылесос необходимо при выключенном электродвигателе. Следите за шнуром питания. Перемещение пылесоса должно соответствовать длине шнура питания, или отсоедините пылесос от розетки электрической сети.

РАБОТА

Включение (Рис.2)

Установите переключатель (8) в нейтральное положение.

Подключите вилку шнура питания пылесоса к розетке электрической сети.

Переведите переключатель (8) в положение «I»: пылесос включится. Дайте поработать пылесосу не менее двух минут на холостом ходу. Если вам что-то показалось ненормальным в работе пылесоса, немедленно отключите пылесос, для чего переведите переключатель (8) в нейтральное положение и отключите вилку шнура питания от розетки электрической сети.

Затем снова повторите все пункты данного руководства по эксплуатации и проверьте правильность сборки и подготовки пылесоса к работе.

Если причина неисправной работы не была выявлена, то обратитесь в сертифицированный сервисный центр.

Внимание! При первом включении дайте поработать пылесосу на холостом ходу не менее 5 минут. В это время возможно появление постороннего запаха: это связано с проработкой электродвигателя. Вскоре этот запах должен исчезнуть.

Сухая уборка

Для сухой уборки необходимо установить на корпус фильтра (13) соответствующий фильтр (14) или (15), фильтр-мешок (17) и насадку. Включите пылесос и начните уборку. Регулярно проверяйте состояние шланга (5) (Рис.2) и насадки. Любая насадка и шланг (5) (Рис.2) должны свободно пропускать всасываемый воздух. Не допускайте засорения насадок мусором. При сухой уборке в пылесос не должна всасываться влага. Периодически следите за наполнением фильтр-мешка (17) (Рис.5).

Влажная уборка

Для влажной уборки необходимо установить только полиуретановый фильтр (15) и соответствующую насадку. Фильтр-мешок (17) (Рис.8) не устанавливается.

Начните уборку. Регулярно проверяйте состояние шланга (5) (Рис.2) и насадки.

Любая насадка и шланг (5) (Рис.2) должны свободно пропускать всасываемый воздух и воду. Не допускайте засорения насадок мусором.

Вода всасывается и накапливается в баке (4) (Рис.2). Как только уровень воды в баке (4) превысил максимально допустимое значение, предохранительный клапан (12) (Рис.4) перекрывает всасывающее отверстие, и всасывание прекращается. Это можно понять по изменению звука работающего пылесоса. При этом, немедленно выключите пылесос. После работы всегда сливайте воду из бака (4) (Рис.2), просушивайте пылесос. Перед работой всегда проверяйте (при отсоединенном шнуре питания от розетки электросети) предохранительный клапан (12) на свободное перемещение в корпусе фильтра (13) (Рис.4).

Совместная работа с электроинструментом (Рис.2)

Подключите электроинструмент к пылесосу.

Электроинструмент должен находиться в выключенном состоянии (обратите внимание на выключатели электроинструмента).

Переведите переключатель пылесоса (8) положение «I». Начините работу с электроинструментом. Через несколько секунд после включения электроинструмента включится пылесос, который собирает мусор и пыль, образовавшиеся в результате работы электроинструментом.

После отключения электроинструмента, через несколько секунд пылесос тоже прекратит свою работу.

Если ваш электроинструмент имеет мощность меньше мощности, при которой возможна синхронная работа с пылесосом, то необходимо перевести переключатель (8) в положение «II». При этом, пылесос включится и будет работать постоянно до его выключения (переключатель (8) перевести в нейтральное – среднее положение) независимо от того, включен электроинструмент или нет. Именно в таком режиме возможна работа пылесоса с маломощным электроинструментом.

ОЧИСТКА И ТЕХНИЧЕСКОЕ ОБСЛУЖИВАНИЕ

Очистка после сухой уборки

- Снимите фильтр–мешок бумажный (17) (Рис.5). В случае заполнения фильтр–мешка (17) замените его новым;
- Не дожидаясь полного заполнения бумажного фильтр–мешка (17) (Рис.4), меняйте его по мере заполнения. Чрезмерное заполнение мешка ведет к снижению производительности пылесоса, поэтому контролируйте заполнение фильтр–мешка (17), учитывая свойства всасываемого мусора;
- Аккуратно снимите с корпуса фильтра (13) складчатый бумажный фильтр (14) или фильтр полиуретановый (15) (Рис.3,4) и очистите их от пыли и грязи;
- При необходимости осторожно продуйте снятый складчатый фильтр (14) сжатым воздухом изнутри наружу;
- Фильтр полиуретановый (15) (Рис.5) можно промыть чистой водой с мылом, после чего обязательно прополоскать в чистой воде, отжать и высушить его;
- Если вы обнаружили, что один из фильтров поврежден или непригоден для работы, его следует заменить новым;
- Очистите внутреннюю поверхность бака (4) (Рис.2) от пыли и грязи. При необходимости вымойте бак (4) чистой водой с использованием жидкого (не абразивного) моющего средства. После чего еще раз хорошо промойте его чистой водой и просушите до полного высыхания.

Очистка после влажной уборки

- Полностью слить воду из бака (4) (Рис.2)
- Снять и промыть чистой водой фильтр полиуретановый (15) (Рис.4), после чего обязательно высушить его;
- При необходимости вымыть бак (4) (Рис.2,4) чистой водой с использованием (не абразивного) моющего средства. После этого еще раз хорошо промойте его чистой водой и просушите до полного высыхания.

После любой очистки установите фильтры на место за ручку (10) правильно установите секцию электродвигателя (7) на бак (4) и заблокируйте два замка (11) (Рис.2). Следите за тем, чтобы поплавковый предохранительный клапан (12) (Рис.3) свободно перемещался в корпусе фильтра (13) и при установке секции электродвигателя (7) на бак (4) находился в нижней части корпуса фильтра (13).

Общее техническое обслуживание

- Пылесос не требует постоянного технического обслуживания, но внимательный уход за ним необходим. Это будет залогом нормальной работы пылесоса и исключит возможный травматизм.
- Не допускайте накопления пыли, мусора и посторонних предметов на внешней поверхности пылесоса и его частей.
 - Заменяйте изношенные фильтры и детали по мере необходимости.
 - Регулярно очищайте роликовые опоры (2) (Рис.2) от пыли и грязи, а также от наматывающегося ворса, ткани и т.п.
 - Пылесос всегда необходимо проверять перед работой. Все неисправности должны быть устранены.
 - После окончания работы пылесоса строго выполняйте все предписания по очистке.

Транспортировка

- Для транспортировки пылесоса на дальние расстояния используйте заводскую или иную упаковку, исключающую его повреждение в процессе транспортировки. Разберите и упакуйте пылесос так, как он был упакован при его покупке.
- Транспортируйте пылесос в закрепленном положении, исключая его перемещение по грузовому отсеку в процессе транспортировки.

Хранение

- Перед постановкой пылесоса на длительное хранение убедитесь, что помещение для хранения сухое и чистое.
- Храните пылесос вне предела досягаемости детей и посторонних лиц.
- Во время хранения не допускайте длительного воздействия на пылесос повышенной влажности и прямых солнечных лучей.
- Перед постановкой на хранение демонтируйте с пылесоса шланг (5), насадки. Не храните пылесос с заполненным мусором мешком (22).

Критерии предельного состояния

Критерием предельного состояния пылесоса является состояние, при котором его дальнейшая эксплуатация недопустима или экономически нецелесообразна.

Критериями предельного состояния пылесоса являются:

- глубокая коррозия и трещины на поверхностях несущих и корпусных деталей, секции электродвигателя;
- чрезмерный износ или повреждение двигателя или совокупность признаков.

Утилизация

Пылесос и его комплектующие, вышедшие из строя и не подлежащие ремонту, необходимо сдавать на специальные приемные пункты по утилизации. Не выбрасывайте вышедшее из строя оборудование в бытовые отходы!

УСЛОВИЯ ГАРАНТИЙНОГО ОБСЛУЖИВАНИЯ

1. Настоящее гарантийное свидетельство является единственным документом, подтверждающим Ваше право на бесплатное гарантийное обслуживание. Без предъявления данного свидетельства претензии не принимаются. В случае утери или порчи гарантийное свидетельство не восстанавливается.
 2. Гарантийный срок на электроинструмент составляет 12 месяцев со дня продажи, в течение гарантийного срока сервисная служба бесплатно устраняет производственные дефекты и производит замену деталей, вышедших из строя по вине изготовителя. На период гарантийного ремонта эквивалентный исправный инструмент не предоставляется. Заменяемые детали переходят в собственность службы сервиса. Компания P.I.T. не несет ответственности за вред, который может быть причинен при работе с электроинструментом.
 3. В гарантийный ремонт инструмент принимается в чистом виде, при обязательном наличии надлежащим образом оформленных документов: настоящего гарантийного свидетельства, гарантийного талона, с полностью заполненными полями, штампом торговой организации и подписью покупателя.
 4. Гарантийный ремонт не производится в следующих случаях:
 - при отсутствии гарантийного свидетельства и гарантийного талона или неправильном их оформлении;
 - при совместном выходе из строя якоря и статора электродвигателя, при обугливания или оплавлении первичной обмотки трансформатора сварочного аппарата, зарядного или пуско-зарядного устройства, при оплавлении внутренних деталей, прожиге электронных плат;
 - если гарантийное свидетельство или талон не принадлежат данному электроинструменту или не соответствует установленному поставщиком образцу;
 - по истечении срока гарантии;
 - при попытках самостоятельного вскрытия или ремонта электроинструмента вне гарантийной мастерской; внесения конструктивных изменений и смазки инструмента в гарантийный период, о чем свидетельствуют, например, заломы на шлицевых частях крепежа корпусных деталей.
 - при использовании электроинструмента в производственных или иных целях, связанных с получением прибыли, а также – при возникновении неисправностей связанных с нестабильностью параметров электросети, превышающих нормы, установленные ГОСТ;
 - при неправильной эксплуатации (использование электроинструмента не по назначению, установки на электроинструмент не предназначенных заводом-изготовителем насадок, дополнительных приспособлений и т.п.;
 - при механических повреждениях корпуса, сетевого шнура и при повреждениях, вызванных воздействиями агрессивных средств и высоких и низких температур, попадании инородных предметов в вентиляционные решетки электроинструмента, а также при повреждениях, наступивших в результате неправильного хранения(коррозия металлических частей);
 - при естественном износе деталей электроинструмента, в результате длительной эксплуатации(определяется по признакам полной или частичной выработки ресурса, сильного загрязнения, ржавчины снаружи и внутри электроинструмента, отработанной смазки в редукторе);
 - использование инструмента не по назначению, указанному в инструкции по эксплуатации.
 - при механических повреждениях инструмента;
 - при возникновении повреждений в связи с несоблюдением предусмотренных инструкцией условий эксплуатации(см. главу Указание по технике безопасности в инструкции).
 - повреждение изделия вследствие несоблюдения правил хранения и транспортировки.
- Профилактическое обслуживание электроинструмента (чистка, промывка, смазка, замена пыльников, поршневых и уплотнительных колец) в гарантийный период является платной услугой.
- Срок службы изделия установлен производителем и составляет 2 года со дня изготовления.
- О возможных нарушениях, изложенных выше условий гарантийного обслуживания, владельцу сообщается после проведения диагностики в сервисном центре.
- Владелец инструмента доверяет проведение диагностики в сервисном центре в свое отсутствие.
- Запрещается эксплуатация электроинструмента при проявлении признаков повышенного нагрева, искрения, а также шума в редукторной части. Для выяснения причин неисправности покупателю следует обратиться в гарантийную мастерскую.
- Неисправности, вызванные несвоевременной заменой угольных щеток двигателя, устраняются за счет покупателя.
5. Гарантия не распространяется на:
 - сменные принадлежности (аксессуары и оснастка), например: аккумуляторы, диски, ножи, сверла, буры, патроны, цепи, звездочки, цанговые зажимы, шины, элементы натяжения и крепления, головки триммеров, подошвы шлифовальных и ленточных машин, фильтры и т.п.
 - быстроизнашивающиеся детали, например: угольные щетки, приводные ремни, сальники, защитные кожухи, направляющие ролики, направляющие, резиновые уплотнения, подшипники, зубчатые ремни и колеса, стволы, ленты тормоза, храповики и тросы стартеров, поршневые кольца и т.п. Замена их в течении гарантийного срока является платной услугой.
 - шнуры питания, в случае повреждения изоляции, шнуры питания подлежат обязательной замене без согласия владельца (услуга платная).
 - корпуса инструмента.

ГАРАНТИЙНОЕ СВИДЕТЕЛЬСТВО НА ИНСТРУМЕНТ P.I.T.

Наименование изделия _____

Артикул изделия Серийный номер

Дата продажи «__» _____

Наименование торговой организации _____

М.П.

Уважаемый покупатель!

Благодарим Вас за покупку инструмента P.I.T. и надеемся, что Вы останетесь довольны своим выбором. В процессе производства инструменты P.I.T. проходят многоуровневый контроль качества, если тем не менее Ваше изделие будет нуждаться в обслуживании, просим Вас обращаться в авторизированные сервисные центры P.I.T.

Внимание!

При покупке требуйте у продавца проверки комплектности и работоспособности инструмента, заполнение гарантийного свидетельства, гарантийного талона (графы заполняются продавцом) и простановки печати торговой организации в гарантийном свидетельстве и гарантийном талоне.

Гарантия

На основании данного гарантийного свидетельства компания P.I.T. гарантирует отсутствие дефектов производственного характера.

Если в течении гарантийного срока в Вашем изделии тем не менее обнаружатся указанные дефекты, специализированные сервисные центры P.I.T. бесплатно отремонтируют изделие и заменят дефектные запасные части.

Гарантийный срок на электроинструменты P.I.T. составляет 12 месяцев со дня продажи.

«С условиями гарантийного обслуживания ознакомлен(а). Работоспособность и комплектность изделия проверены в моем присутствии. Претензий к качеству и внешнему виду не имею».

Подпись покупателя _____ Фамилия(разборчиво) _____

Телефон _____

T. WARRANTY CARD



Name _____
 Serial number _____
 Date of sale "" _____
 (Filled by seller)

Seal is here

WARRANTY REPAIR CARD

date of acceptance for repair ____20_____
 Application for repair _____
 Customer _____
 Telephone (address) _____
 The reason for petition _____
 Tool checked in my presence _____
 (The order is filled in the service center) (signature)

Seal is here



Name _____
 Serial number _____
 Date of sale "" _____
 (Filled by seller)

Seal is here

WARRANTY REPAIR CARD

date of acceptance for repair ____20_____
 Application for repair _____
 Customer _____
 Telephone (address) _____
 The reason for petition _____
 Tool checked in my presence _____
 (The order is filled in the service center) (signature)

Seal is here



Name _____
 Serial number _____
 Date of sale "" _____
 (Filled by seller)

Seal is here

WARRANTY REPAIR CARD

date of acceptance for repair ____20_____
 Application for repair _____
 Customer _____
 Telephone (address) _____
 The reason for petition _____
 Tool checked in my presence _____
 (The order is filled in the service center) (signature)

Seal is here

Name _____
 Serial number _____
 The date of sale 20 _____
 The date of receipt of the repair 20 _____

Name _____
 Serial number _____
 The date of sale 20 _____
 The date of receipt of the repair 20 _____

Name _____
 Serial number _____
 The date of sale 20 _____
 The date of receipt of the repair 20 _____

ГАРАНТИЙНЫЙ ТАЛОН P.I.T.


Наименование _____
 Серийный номер _____
 Дата продажи «__» _____ 20 __ г.
 (Заполняется продавцом)

М.П.

КАРТА ГАРАНТИЙНОГО РЕМОНТА __
 Дата приема в ремонт __ _____ 20 __ г.
 Заявка на ремонт _____
 Заказчик _____
 Телефон(адрес) _____
 Причина обращения _____
 Дата получения из ремонта __ _____ 20 __ г.
 Инструмент проверен в моем присутствии _____
 (Заказ заполняется в сервисном центре) (подпись)

М.П.



Наименование _____
 Серийный номер _____
 Дата продажи «__» _____ 20 __ г.
 (Заполняется продавцом)

М.П.

КАРТА ГАРАНТИЙНОГО РЕМОНТА __
 Дата приема в ремонт __ _____ 20 __ г.
 Заявка на ремонт _____
 Заказчик _____
 Телефон(адрес) _____
 Причина обращения _____
 Дата получения из ремонта __ _____ 20 __ г.
 Инструмент проверен в моем присутствии _____
 (Заказ заполняется в сервисном центре) (подпись)

М.П.



Наименование _____
 Серийный номер _____
 Дата продажи «__» _____ 20 __ г.
 (Заполняется продавцом)

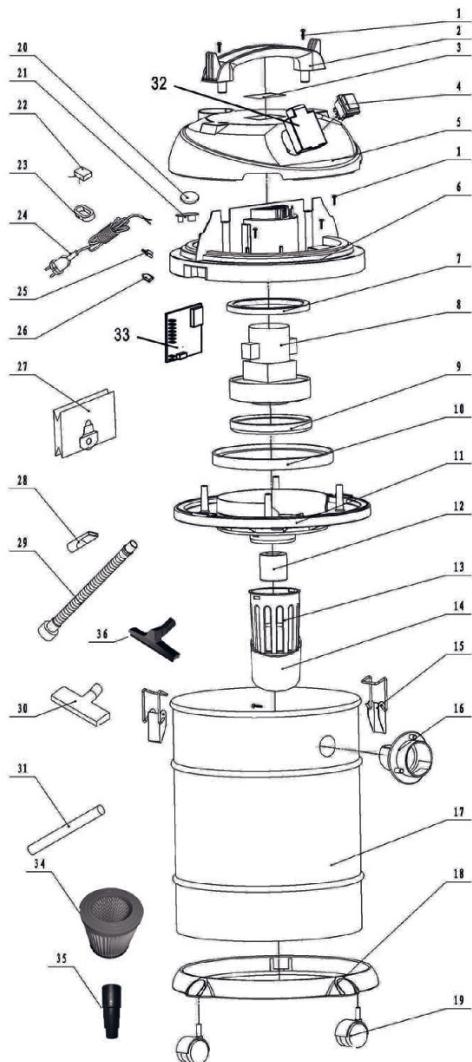
М.П.

КАРТА ГАРАНТИЙНОГО РЕМОНТА __
 Дата приема в ремонт __ _____ 20 __ г.
 Заявка на ремонт _____
 Заказчик _____
 Телефон(адрес) _____
 Причина обращения _____
 Дата получения из ремонта __ _____ 20 __ г.
 Инструмент проверен в моем присутствии _____
 (Заказ заполняется в сервисном центре) (подпись)

М.П.

P.I.T. WARRANTY SHEET / ГАРАНТИЙНЫЙ ТАЛОН P.I.T.

PVC20-C / PVC30-C





Поставщик: Китай Xinjiang Longbo Industrial Co., Ltd.
Адрес производства: Rm. 602, 6th Floor, No. 531, Weixing Road, Economic And Technological Development Zone, Urumqi, Xinjiang, China
Уполномоченный представитель: ООО "Турбо-Тулс"
Юридический адрес: 614012, Пермский КРАЙ, г. Пермь, ул. Норильская, д. 8

Сделано в КНР/Made in China

