

ANGLE GRINDER

МАШИНА ШЛИФОВАЛЬНАЯ
УГЛОВАЯ

AG125-1100A	26908
-------------	-------

AG150-1500	26910
------------	-------

AG180-2000	26912
------------	-------



IMPORTANT
ВНИМАНИЕ

Read this manual before use and retain for future reference.

Прочитайте данное руководство перед эксплуатацией устройства и сохраните его для дальнейшего использования.

The date of manufacture is indicated on the product.

Дата изготовления указана на изделии.

CONTENT

PROPER USAGE AND GENERAL INFORMATION.....	3
ACCESSORIES	3
SPECIFICATIONS	3
SAFETY WARNINGS	4
GENERAL SAFETY INSTRUCTIONS FOR ELECTRIC TOOLS.....	4
HANDLING INSTRUCTIONS	8
OPERATION.....	8
NOISE AND VIBRATION	11
MAINTENANCE	11
RECYCLING.....	12
TRANSPORTATION.....	12
STORAGE.....	13
LIFE TIME.....	13
WARRANTY OBLIGATIONS	13

EN

PROPER USAGE AND GENERAL INFORMATION

Angle grinder (hereinafter «machine», «tool») is designed to perform cutting, grinding, stripping operations with metal structures or blanks using special abrasive discs and brushes. Subject to certain conditions an application for processing of a stone, concrete, a brick is possible.

The tool is designed for usage at an environment temperature from 0 °C to 40 °C, relative humidity not more than 80% and absence of direct exposure of atmospheric condensation and excessive air dustiness.

The machine is suitable only for private use and must be used in intermittent duty not more than 20 hours per month. It is recommended to use on-loading not more than a nominal, during 10-15 minutes and then to have a break for 20-30 minutes. This usage mode enables to complete domestic tasks effectively and prevents the tool from a premature coming out of order.

This manual contains the information and the requirements necessary and sufficient for a sure, effective and secure use of the tool.

Due to ongoing activities in order to improve the tool the manufacture reserves the right to make minor changes in its construction, not mentioned in this manual and not worsening its consumer and operational properties, effective and secure use.

ACCESSORIES

Contents of delivery:

- | | |
|--------------------------------|---|
| 1. Angle grinder | 1 |
| 2. Side handle | 1 |
| 3. Special key | 1 |
| 4. Set of spare carbon brushes | 1 |
| 5. Instruction manual | 1 |
| 6. Warranty card | 1 |

SPECIFICATIONS





Table 1

Parameter	Value		
	AG-125-1100A	AG-150-1500	AG-180-2000
Maximum disc diameter, mm	125	150	180
No load speed, min ⁻¹	3000-10500	8500	8500
Rated input power, W	1100	1500	2000
Voltage, V	230	230	230
Frequency, Hz	50	50	50
Electronical speed control	Yes	No	No
Spindle thread	M14	M14	M14
Constant speed control	No	No	No
Soft start	No	No	No
Protection against accidental switch on	No	No	Yes
Lock on switch	Yes	Yes	No
Degree of protection against penetration of objects and liquids	IP20	IP20	IP20

Parameter	Value		
	AG-125-1100A	AG-150-1500	AG-180-2000
Sound pressure level (LpA), dB	85	89	91
Vibration level (ah), m/c ²	3,7	6,2	4,5
Degree of protection against electric shock	II	II	II
Net weight, kg	3,4	4,0	5,0
Gross weight, kg	3,7	4,4	5,5

SAFETY WARNINGS

The following definitions indicate the degree of importance of each keyword. Read through the instructions and pay attention to these symbols.

	WARNING! Indicates a potentially hazardous situation which, if not avoided, could result in injury or equipment damage.
	Electric Shock Risk!
	Flammability!
	ATTENTION! Read the manual attentively in order to reduce the risk of injury.

GENERAL SAFETY INSTRUCTIONS FOR ELECTRIC TOOLS



WARNING!

Before starting work read all safety information and instructions. Non-observance to the safety rules and instructions may lead to electric shock, fire and/or severe injury.

Keep all safety instructions for subsequent use

The term «power tool» refers to your electric (with cable) or battery power (wireless) tool in all the instructions below.

Workplace safety

- Keep the workplace clean and provide it with good light. Poor light or mess at workplace may lead to an accident.
- Do not use power tools if there is a danger of fire or explosion, for example, near flammable liquids, gas or dust. During work electric tools give up sparks, which can ignite dust or flammable vapors.
- While working with power tools do not keep close children or other people. A distraction may cause loss of control over the work.

Electrical safety

- A cable plug of an electric tool must match a power outlet. Never modify an electrical cable plug. Do not use connecting adapter plugs, if there is a ground wire in the power cable of the electric tool. Usage of the original cable plug and a corresponding power outlet reduces the risk of electric shock.

- b) While working with electric tool avoid physical contact with grounded objects such as pipelines, radiators, electric stoves and refrigerators. The risk of electric shock increases if your body is grounded.
- c) Do not use electric tool in the rain or in a humid environment. Water entering into the electric tool increases the risk of electric shock.
- d) Handle electrical cable with care. Never use the cable for carrying electric tool or pulling its plug out of the receptacle. Do not expose electrical cable to high temperatures and lubricants; keep it away from sharp edges and moving parts of the tool. Damaged or entangled cable increases the risk of electric shock.
- e) While working with electric tool outdoors use an extension cable intended for outdoor use. Using the cable suitable for working outdoors reduces the risk of electric shock.
- f) While working with electric tool in a humid environment use a power supply equipped with a safety protective shutdown device. The usage of this device reduces the risk of electric shock.

Personal safety

- a) While working with electric tools be careful, watch what you do and use common sense. Do not use electric tool if you are tired, as well as being under the influence of alcohol or drugs lowering the reaction and other remedies. The slightest negligence may cause serious injury while working with electric tools.
- b) While working use personal protective equipment. Always wear safety glasses. Timely using of protective equipment such as: dust mask, boots with non-slip sole, safety hat or noise protection headphones, significantly reduces the risk of injury.
- c) Do not allow unintended start. Before plugging in electric tool and/or connecting it to the battery lift or move it, be sure the switch is in the "off" position. Do not carry electric tool with the trigger switch pressed and do not plug the electric tool into a power outlet if the switch is set to "on". This may lead to an accident.
- d) Before turning on the electric tool remove from it all adjusting keys or spanners. An adjusting key or spanner left fixed on the rotating part of the electric tool can cause severe injury.
- e) Work in a steady posture. Always keep your balance and a steady posture. This will allow you not to lose control when working with electric tool in an unexpected situation.
- f) Dress properly. Do not wear loose clothes or jewelry while working. Make sure your hair, clothing or gloves are at a constant distance from the rotating parts of the tool. Loose clothes, jewelry or long hair can get into the rotating parts of the tool.
- g) If the electric tool is equipped with a dust collection and removal device, make sure this device is properly connected and used. The use of a dust removal device significantly reduces the risk of an accident due to a dusty working space.

Use of electric tools and technical care

- a) Do not overload the electric tool. Use your tool for its intended purpose. The electric tool works safe and secure only if you keep to the parameters specified in its technical specifications.
- b) Do not use the electric tool if its switch cannot be set to the "on" or "off" position. Electric tool with a broken switch is dangerous and must be repaired.
- c) Unplug the electric tool from the power outlet and/or remove battery before adjusting, replacement of accessories or when storing electric tool. Such precautions reduce the risk of an accidentally turning on of the electric tool.
- d) Store unused electric tools out of the reach of children and do not let persons who are not familiar with electric tool or these instructions work with electric tools. Electric tools are dangerous in the hands of inexperienced users.
- e) Check an electric tool regularly. Check alignment accuracy and ease of movement of moving parts, integrity of parts and any other elements of the electric tool affecting its work. Do not use a broken electric tool until it is completely repaired. Most accidents are the result of insufficient maintenance of the electric tool.
- f) Watch out for sharpness and cleanness of cutting accessories. Sharp-edged accessories allow avoiding jamming and make work less tiring.
- g) Use electric tool and accessories in accordance with this manual and taking into account the working conditions and nature of future work. Misuse of the electric tool can create a hazardous situation.

Maintenance

- a) Your electric tool must be repaired only by qualified specialists using original spare parts. This will ensure safety and reliability of your electric tool in further use.

Additional Security Rules when working with Angle Grinder

General warning instructions for grinding

- a) Angle grinders are designed for grinding with abrasive wheels, sandpaper, for works with wire brushes and as a detachable grinder. Observe all warnings and instructions that you get with a power tool. Failure to follow directions may result in electric shock, fire and / or serious injury.
- b) Do not use tooling or accessories which are not provided by the manufacturer specifically for this type of tool and not recommended by the manufacturer. Only physical ability to attach a tooling on your power tool does not guarantee its safe and reliable use.
- c) Allowable tooling speed must be at least the maximum number of rotation speed specified on the electric machine. Tooling, rotating with greater than acceptable speed, may tear off and cause serious injury.
- d) The outer diameter and thickness of the tooling must match the size of your electric machine. Tooling of the wrong size cannot be safe to operate and properly monitored.
- e) Grinding wheels, flanges, grinding plates or other accessories must fit tightly on the spindle of your electric machine. Tooling, mounted on the spindle with backlash, leads to strong vibration and loss of control over the machine.
- f) Do not use damaged tooling to avoid serious injury. Each time before use check grinding wheels for chips and cracks, grinding plates for cracks, risks or heavy wear, wire brushes on loose or broken elements.
- g) Use personal protective equipment. Depending on the work performed use a face shield, eye protection or protective glasses. If necessary, use a dust respirator, hearing protection, protective gloves or a special apron, which protects against sparks, abrasive particles and material particles.
- h) Ensure that unauthorized persons are at a safe distance from the work area. Shards of parts or tooling, in case of its rupture, can fly to the side and cause injury even at a considerable distance from the work site.
- i) Hold the electric machine only on the insulated surface of the handles if you are doing work, in which the equipment can get on the hidden wiring or own power cord. Contact with a current-carrying wire puts under voltage all metal parts of the electric tool and leads to electric shock.
- j) Keep the power cord away from the rotating tooling. If you lose control of your electric machine, the power cord may be cut or grabbed by the rotating tooling.
- k) Never let an electric machine out of your hands, until the tooling stops completely. Rotating tooling can catch on supporting surface or other object and, as a result, you may lose control of the electric machine.
- l) Regularly clean the vents of the electric machine. The engine fan draws dust into the case and large amounts of metallic dust can cause the tool to fail.
- m) Do not use accessories that require the use of coolants. The use of water or other coolants can cause damage to the electric machine and electric shock.
- n) Hold the electric machine tight and take a position in which you can counteract the reverse forces. Always use the extra handle to best counteract reverse forces or the reactionary moment of recruitment.
- o) Be especially careful on corners, sharp edges, etc. Prevent a tooling bounce from the workpiece and its jamming. A possible rebound and jamming of the tooling causes loss of control or kickback.
- p) When processing stone, use dust suction. The vacuum cleaner must be adapted to work with stone dust. Using these devices reduces the risk of exposure to dust.

Special warnings for grinding and cutting

- a) Use abrasive tools recommended exclusively for your electric machine and protective covers provided for them. Abrasive tools not provided for this electric machine may not be safe enough.
- b) The protective cover must be securely fastened to the electrical machine and configured to achieve the highest degree of security, it means, in the direction of the operator should be open as little as possible part of tooling. The protective cover should protect the operator from splintering and accidental contact with the tooling.
- c) Abrasive tools may only be used for their intended purpose. Never sand by the side of the cutting disc. Cutting discs are designed for cutting material by edge. Other use of the circle may lead to its destruction and injury.

Additional special warnings instructions for grinding and cutting

- a) Prevent blocking of the cutting wheel, do not exceed the pressing force. Do not perform too deep cuts. Overload of the cutting wheel increases the probable tilting or blocking and this increases the risk of a kickback or a tooling break.
- b) Be especially careful when cutting with a cutting wheel in the direction away from you. In case of a back kick power tools with a spinning circle can bounce right at you.
- c) When jamming the cutting wheel turn off the electric tool and hold it until the wheel stops. Never try to remove the rotating cutting wheel from the cut, as this may cause a back kick. Establish and eliminate the cause of jamming.
- d) Do not turn the electric tool on again, if the tooling is in the workpiece. Let the cutting wheel develop the full speed, before you continue cutting carefully. Otherwise, the disc may jam which will cause a kickback.
- e) Plates or large workpieces must lie securely on the support to reduce the risk of jamming of the cutting disc. Consider that large workpieces can sag under their own weight.

Special warnings when sanding

Do not use oversized sanding sheets, and follow the manufacturer's specifications for sanding sheets. Sanding sheets protruding over the edge of the sanding pad can cause injury and blockage, tear or cause kickback.

Special warnings for working with wire brushes

- a) Keep in mind that wire brushes lose elements during normal operation. Do not overload the brushes with excessive pressing force. Flying pieces of wire can easily penetrate clothing and injure the operator.
- b) If for work it is recommended to use a wheel protective cover, then exclude the contact of the wire brush with the casing. Consider that dish and cup brushes can increase its diameter while rotation under the action of centrifugal forces.

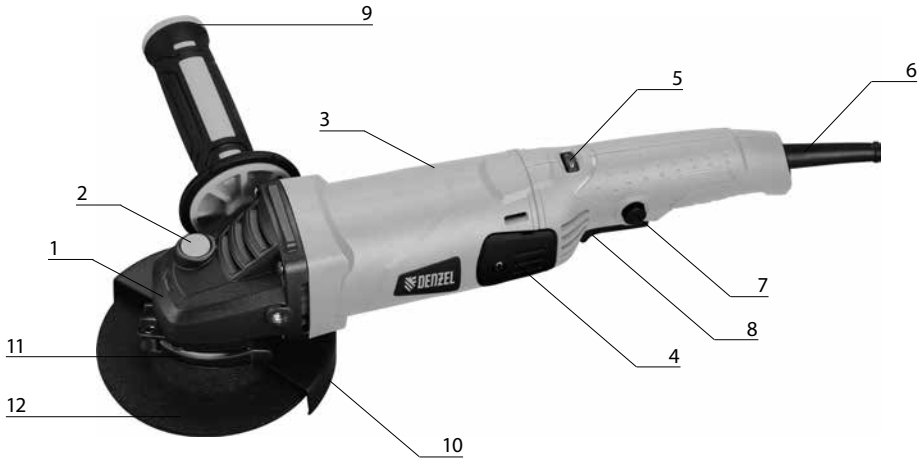
Residual risks

In spite of the compliance with relevant security means instructions and use of safety devices, some residual risks cannot be completely eliminated. They are:

- Injuries caused by touching hot or rotating tool parts or workpiece.
- The possibility of ignition of some materials under the influence of sparks when grinding.
- Impairment of hearing.
- Risk of pinching fingers when changing working tool.
- Damage to health due to vibration appearing at.
- Damage to health due to inhalation of dust when working with stone, concrete and bricks.
- Damage to health due to long observation of sparks generated by grinding.

HANDLING INSTRUCTIONS

General view of the tool is shown on picture 1.



Pic. 1

- | | |
|-----------------------------------|---------------------------------------|
| 1. Gear housing. | 7. Switch lock button. |
| 2. Spindle lock button. | 8. Power switch key. |
| 3. Engine housing. | 9. Side handle. |
| 4. Easy access to carbon brushes. | 10. Protective cover. |
| 5. Speed control. | 11. Protective cover fastening lever. |
| 6. Power cable. | 12. Tooling. |

Description

Angle grinding machine represents rotary action machine consisting of electric drive and angular gear, on the output shaft of which the possibility of fixing the tooling is provided. The electric drive is the collector AC motor, housed in a plastic case.

The machine is designed to work with grinding or cutting wheels, as well as a stripping tool (metal/ nylon cup and disk brushes, petal grinding heads, etc.) with a working speed of at least 80 m/s.

The machine is equipped with a protective cover that protects the operator from sparks flying out of the treatment area of wear products of equipment and injuries at destruction of equipment. Work without the use of a protective casing is strictly prohibited for safety reasons.

OPERATION



ATTENTION!

Always unplug the power cord from the power supply before preparing for the operation, setting up, and maintenance of the power tool.

Installing a protective cover

**ATTENTION!**

The disc guard must be installed on the instrument in this way so that the closed side of the cover is always towards the operator.

To install the cover is necessary:

- move the cover locking lever 11 (pic. 1) to the side loosening the clamp
- install a protective cover on the seat of the gearbox cover so that no sparks are ejected towards the operator
- to rotate adjusting nut of the cover clamp to adjust the size of the clamp according to the size of the seat, so that to ensure the possibility of free rotation of the cover on the seat.
- tighten the protective cover with the locking lever. At the same time the cover must be securely fixed in its seat excluding his turn during work. Avoid applying excessive force to the lock lever, if necessary correct the tension with the adjusting nut of the yoke.

Installing the side handle

**ATTENTION!**

You should always use the side handle supplied with the tool. Losing control of the tool while working may cause injury.

**ATTENTION!**

Always check that the side handle is secure before work.

Screw the handle 9 into the threaded hole in the gear housing in a comfortable position.

Installation / removal of tooling

**ATTENTION!**

Reinforced cutting and grinding discs must be used only if they are designed for angle grinders and calculated for a linear cutting speed of at least 80 m / s.

At installation / removal of the tooling a spindle lock is carried out by the key 2 located on the gearbox housing. The spindle can also be locked with a wrench S17.

Fastening the tooling onto the spindle is carried out with the help of a flange and a nut tightened with a special key supplied in the set. The tooling with a threaded bore M14 fastens directly onto the threaded end of the spindle.

**ATTENTION!**

In order to avoid machine breakdown and injury it is not allowed to press the lock button of the spindle 2 during the operation of the grinding machine, as well as till the full stop the spindle after turning off the engine.

Main connection

**ATTENTION!**

Power tools should only be connected to single-phase AC power, the voltage of which corresponds to the voltage indicated on the rating plate located on the tool housing. If the rating plate indicates a voltage of 230V, then the power tool can also be switched on to a main with a voltage of 220 V.

When working outdoors use industrial extension cords intended for outdoor use. Do not use homemade extensions. When working outdoors connect power tools to the power circuit equipped with a differential automatic with a response current of not more than 30 mA, this will reduce the risk of electric shock.

When connecting ensure that the insulation of the electrical cable and the power plug of the machine is intact. Make sure the machine's power switch is in the "off" position. This power tool can be connected to power outlets that do not have a protective ground, since it has double insulation (protection class II).

Spindle speed adjustment (for model AG-125-1100A)

Depending on the type of tooling used, the type of material being processed and the nature of processing you can choose the optimal spindle speed of the machine. The selection is made using the controller 5 (pic. 1). The numbers on the regulator ring correspond to the ring positions and do not indicate a specific speed, expressed in rotations per minute. A higher number corresponds to a higher spindle speed and tooling.



ATTENTION!
The machine is not intended for polishing work.



ATTENTION!
Do not overload the machine operating at reduced speeds. When the engine rotor speed decreases, the cooling of the machine deteriorates.

Before using you must:

- inspect and verify its completeness and no external damage;
- make sure the power switch works correctly;
- after transportation in winter conditions before turning on, leave at room temperature until complete drying of water condensate.

Before getting started, you must:

- set the handles and protective cover in a convenient for work position;
- check the tightness of the threaded connection of fixing the tooling;
- turn the spindle with a tooling by hand: his move must be free without jams;
- try the machine at idle (also after replacing the grinding wheel);
- make sure that the power switch is in the "off" position, then connect the machine to the mains.

To turn on the machine, press the switch key 8 (Fig. 1) when the button 7 (Fig. 1) is pressed. To turn off the machine, release the key 8 (Fig. 1).



ATTENTION!
The protective cover should always be installed during operation. Always use safety glasses.

While working:

- after turning on the engine, let the machine develop the set speed of the tooling and only after that you enter the tooling and the workpiece into contact.
- always use the machine only for the types of work for which it is intended. When processing wood, use only the designated tooling, safety of use of which on an angle grinder, no doubt.



ATTENTION!
Never use saw blades designed for circular saws on angle grinders. It is extremely dangerous!

- do not allow mechanical damage, shock, falling of the tool on hard surfaces, etc.;
- protect the machine from exposure to intense heat sources or chemically active substances, as well as from the ingress of liquids and foreign solid objects inside the machine;
- ensure effective removal of processing products from the cutting zone;
- do not block or obstruct the ventilation openings in the machine case;
- turn the machine off using the power switch before connecting / disconnecting power;
- monitor the condition of the tooling and the heating of the electric motor;
- do not allow pressing the spindle lock button 2 during operation – this will instantly lead to machine breakdown and operator’s injury.

At the end of the work:

- disconnect the tool from the mains, making sure the switch is in the “off”;
- clean the Angle Grinder and accessories from dirt.

Recommendations for use

Before you start processing a part, you must secure it, if it has a light weight.

For maximum grinding performance angle formed by the abrasive wheel and the surface to be treated should be between 30 – 40 degrees. Move the machine smoothly along the surface to be treated. Thus, the overheat and change of color of the processed surface is excluded, processing quality is improved.



ATTENTION!
Never use a cutting wheel for grinding.

When cutting with a cutting wheel do not put pressure on the handles of a power tool, tilt power tool. Avoid vibration and tilting disc. It is necessary to work carefully, taking into account the characteristics of the material being processed. It is very important to consider the direction of movement of the power tool. Power tools must be moved against the rotation of the disc; otherwise, there is a risk of losing control of the power tool.

When cutting profiles and rectangular pipes it is recommended to start cutting from the narrower end.

Do not overheat the exterior of the machine during prolonged use. If overheated, stop working, let the machine work without load for 1 ... 2 minutes to cool the engine, turn off the engine and take a break to cool down the gear housing.

Do not allow the machine to work when there is unwanted or unusual noise in the engine or mechanism. If noise appears, turn off the machine and contact an authorized service.

NOISE AND VIBRATION

Noise and vibration characteristics are given in the table №1.

However, if the Impact Drill will be used for other work with the use of working tools, not provided by the manufacturer, or maintenance will not meet the requirements, then the vibration level may be different.



ATTENTION!
Always use personal ear protection.

MAINTENANCE



ATTENTION!
Before starting maintenance and adjustment of the Angle Grinder unplug the power cord from the power outlet. To ensure quality and safe functioning keep your tool and vents clean at all times.

- If you notice a decrease in the frequency of rotation of equipment or extraneous noise during operation, it is necessary to hand over the device to the service center for its diagnosis and repair.
- Working tool maintenance. The use of the worn working tool reduces the effectiveness of the work and may result in motor or gearbox failure, it is therefore necessary to periodically replace worn out tooling as soon as this becomes necessary.
- Electric motor care. You must be especially careful with the electric motor, avoid getting liquids and foreign objects inside the case. Keep your ventilation holes clean, blow them regularly with compressed air or clean them with a brush. When noticeable sparks appear, contact an authorized service center for diagnostics and possibly replacement of carbon brushes.

To prevent dust and grease leakage this machine has a hermetic design. Therefore, the tool can be used for a long time and you have no need to replace or add grease. After initial commissioning change lubrication every 6 months of operation. To replace the lubricant, contact the service center.

In case of any damage to the power cord turn off the Angle Grinder immediately, carefully, without touching the places of damage, disconnect it from the mains.

**ATTENTION!**

The tool uses power cord with mounting type Y: for security it must be replaced by authorized repair shop personnel.

Possible faults

Fault	Probable cause	Problem solution
The tool does not turn on.	Broken power cord or mounting wire, malfunction of power cord plug.	Call the service center.
	Defective switch.	Call the service center.
	Brush wear.	Call the service center.
Circular fire on the collector.	Fault in the armature winding.	Call the service center.
	Wearout / "hang " of brushes.	Call the service center.
Increased noise in the gear.	Wearout / breakage of the mechanism parts.	Call the service center.
When working smoke or smell of burning insulation is generated from the vent.	Interturn closure of armature or stator windings.	Call the service center.
	Malfunction of the electrical part of the instrument.	Call the service center.
Increased machine vibration.	Wearout / breakage of gears or bearings.	Call the service center.
	Faulty or improperly installed tooling.	Replace or reinstall a tooling.

RECYCLING

A tool, developed a designated service life, must be recycled according the rules established by environmental and other laws of the country, where the tool is operated.

TRANSPORTATION

During the transportation direct exposure of precipitation, direct sunlight, heat and shock is not allowed. Transportation should be carried out only in the original packaging at temperature from -20 °C to +40 °C.

STORAGE

During the assigned service life, store the machine in a dry heated room. Recommended storage temperature is from 0 °C to +40 °C. Store the tool in the original packaging.
Before placing the drill in storage remove the working tool.

LIFE TIME

Average product life time is 5 years if the customer follows the rules of operation.

WARRANTY OBLIGATIONS

The product is covered by the manufacturer's warranty.

The warranty period is specified in the warranty card and calculated from the date of sale. Terms of warranty service are given in the warranty card.

The Angle Grinder conforms to the specifications if the following directives and harmonized standards:

EC Council Directive 2006/42/EC

2014/30/EU

2011/65/EU

EN 60745-1

EN 60745-2-1

EN 55014-1

EN 55014-2

EN 50581

EN 61000-3-2

EN 61000-3-3

Made in PRC.



СОДЕРЖАНИЕ

НАЗНАЧЕНИЕ И ОБЩАЯ ИНФОРМАЦИЯ	15
КОМПЛЕКТНОСТЬ	15
ТЕХНИЧЕСКИЕ ХАРАКТЕРИСТИКИ	15
СИМВОЛЫ БЕЗОПАСНОСТИ	16
ОБЩИЕ ПРАВИЛА БЕЗОПАСНОСТИ ПРИ РАБОТЕ С ЭЛЕКТРОИНСТРУМЕНТАМИ.....	16
УСТРОЙСТВО И ПРИНЦИП РАБОТЫ	21
ЭКСПЛУАТАЦИЯ	21
ШУМ И ВИБРАЦИЯ.....	25
ОБСЛУЖИВАНИЕ.....	25
УТИЛИЗАЦИЯ	26
ТРАНСПОРТИРОВКА.....	26
ХРАНЕНИЕ	26
СРОК СЛУЖБЫ.....	26
ГАРАНТИЙНЫЕ ОБЯЗАТЕЛЬСТВА.....	27
ИМПОРТЕР	27

НАЗНАЧЕНИЕ И ОБЩАЯ ИНФОРМАЦИЯ

Машина шлифовальная ручная электрическая угловая (далее по тексту «машина», «инструмент») предназначена для выполнения отрезных, шлифовальных, зачистных операций с металлическими конструкциями или заготовками с использованием специальных абразивных дисков и щеток. Возможно применение для обработки камня, бетона, кирпича при соблюдении определенных условий.

Машина предназначена для эксплуатации при температуре окружающей среды от 0 °С до 40 °С, относительной влажности воздуха не более 80%, при отсутствии прямого воздействия атмосферных осадков и чрезмерной запыленности воздуха.

Машина относится к бытовому классу инструмента и должна эксплуатироваться в повторно-кратковременном режиме с наработкой до 20 часов в месяц. Рекомендуется эксплуатация с нагрузкой, не превышающей номинальной, в течение 10-15 минут и последующим перерывом 20-30 минут. Такой режим эксплуатации позволяет эффективно выполнять все задачи, возникающие в быту, и предохраняет инструмент от преждевременного выхода из строя.

Настоящее руководство содержит сведения и требования, необходимые и достаточные для надежной, эффективной и безопасной эксплуатации инструмента.

В связи с постоянной деятельностью по совершенствованию инструмента изготовитель оставляет за собой право вносить в его конструкцию незначительные изменения, не отраженные в настоящем руководстве и не ухудшающие его потребительские и эксплуатационные свойства, безопасность и эффективность работы.

КОМПЛЕКТНОСТЬ

В комплект поставки входит:

- | | |
|-------------------------------------|-------|
| 1. Машина шлифовальная угловая | 1 шт. |
| 2. Рукоятка боковая | 1 шт. |
| 3. Ключ специальный | 1 шт. |
| 4. Комплект запасных угольных щеток | 1 шт. |
| 5. Инструкция по эксплуатации | 1 шт. |
| 6. Гарантийный талон | 1 шт. |

ТЕХНИЧЕСКИЕ ХАРАКТЕРИСТИКИ





Таблица 1

Параметр	Значение		
	AG-125-1100A	AG-150-1500	AG-180-2000
Максимальный диаметр оснастки, мм	125	150	180
Частота вращения оснастки на холостом ходу, мин ⁻¹	3000-10500	8500	8500
Номинальная потребляемая мощность, Вт	1100	1500	2000
Номинальное напряжение сети питания, В	230	230	230
Номинальная частота сети питания, Гц	50	50	50
Регулировка частоты вращения оснастки	Есть	Нет	Нет
Размер резьбы шпинделя	M14	M14	M14
Поддержание оборотов под нагрузкой	Нет	Нет	Нет
Плавный пуск	Нет	Нет	Нет
Защита от случайного включения	Есть	Есть	Есть
Фиксатор клавиши "пуск"	Нет	Нет	Нет

Параметр	Значение		
	AG-125-1100A	AG-150-1500	AG-180-2000
Степень защиты от проникновения предметов и жидкости	IP20	IP20	IP20
Уровень звукового давления (LpA), дБ	90	91	93,2
Уровень вибраций (ah), м/с ²	4,5	4,3	4,1
Степень защиты от поражения электрическим током	II	II	II
Масса изделия нетто, кг	3,4	4,0	5,0
Масса изделия брутто, кг	3,7	4,4	5,5

СИМВОЛЫ БЕЗОПАСНОСТИ

Следующие определения указывают на степень важности каждого ключевого слова. Прочтите руководство по эксплуатации и обратите внимание на данные символы.

	ВНИМАНИЕ! Означает потенциально опасную ситуацию, которая может привести к получению тяжелой травмы.
	Риск поражения электрическим током.
	Огнеопасность!
	ВНИМАНИЕ! Внимательно прочтите руководство по эксплуатации для снижения риска получения травмы.

ОБЩИЕ ПРАВИЛА БЕЗОПАСНОСТИ ПРИ РАБОТЕ С ЭЛЕКТРОИНСТРУМЕНТАМИ



ВНИМАНИЕ!

Перед началом работы внимательно прочтите все правила безопасности и инструкции. Несоблюдение всех перечисленных ниже правил безопасности и инструкций может привести к поражению электрическим током, возникновению пожара и/или получению тяжелой травмы.

Сохраните все правила безопасности и инструкции для последующего использования

Термин «Электроинструмент» во всех приведенных ниже указаниях относится к вашему сетевому (с кабелем) или аккумуляторному (беспроводному) электроинструменту.

Безопасность рабочего места

- Содержите рабочее место в чистоте и обеспечьте хорошее освещение. Плохое освещение или беспорядок на рабочем месте может привести к несчастному случаю.
- Не используйте электроинструменты, если есть опасность возгорания или взрыва, например, вблизи легко воспламеняющихся жидкостей, газов или пыли. В процессе работы электроинструменты создают искровые разряды, которые могут воспламенить пыль или горючие пары.
- Во время работы с электроинструментом не подпускайте близко детей или посторонних лиц. Отвлечение внимания может вызвать у вас потерю контроля над рабочим процессом.

Электробезопасность

- а) Вилка кабеля электроинструмента должна соответствовать штепсельной розетке. Ни в коем случае не видоизменяйте вилку электрического кабеля. Не используйте соединительные штепсели-переходники, если в силовом кабеле электроинструмента есть провод заземления. Использование оригинальной вилки кабеля и соответствующей ей штепсельной розетки уменьшает риск поражения электрическим током.
- б) Во время работы с электроинструментом избегайте физического контакта с заземленными объектами, такими как трубопроводы, радиаторы отопления, электроплиты и холодильники. Риск поражения электрическим током увеличивается, если ваше тело заземлено.
- в) Не используйте электроинструмент под дождем или во влажной среде. Попадание воды в электроинструмент увеличивает риск поражения электрическим током.
- г) Бережно обращайтесь с электрическим кабелем. Ни в коем случае не используйте кабель для переноски электроинструмента или для вытягивания его вилки из штепсельной розетки. Не подвергайте электрический кабель воздействию высоких температур и смазочных веществ; держите его в стороне от острых кромок и движущихся частей инструмента. Поврежденный или запутанный кабель увеличивает риск поражения электрическим током.
- д) При работе с электроинструментом на открытом воздухе используйте удлинительный кабель, предназначенный для наружных работ. Использование кабеля, пригодного для работы на открытом воздухе, снижает риск поражения электрическим током.
- е) При необходимости работы с электроинструментом во влажной среде используйте источник питания, оборудованный устройством защитного отключения (УЗО). Использование УЗО снижает риск поражения электрическим током.



ВНИМАНИЕ!

Рекомендуется использование устройства защитного отключения (УЗО) с током срабатывания не более 30 мА.

Личная безопасность

- а) При работе с электроинструментами будьте внимательны, следите за тем, что вы делаете, и руководствуйтесь здравым смыслом. Не используйте электроинструмент, если вы устали, а также находясь под действием алкоголя или понижающих реакцию лекарственных препаратов и других средств. Малейшая неосторожность при работе с электроинструментами может привести к серьезной травме.
- б) При работе используйте средства индивидуальной защиты. Всегда надевайте защитные очки. Своевременное использование защитного снаряжения, а именно: пылезащитной маски, ботинок на нескользящей подошве, защитного шлема или противозумовых наушников – значительно снизит риск получения травмы.
- в) Не допускайте непреднамеренного запуска. Перед тем как подключить электроинструмент к сети и/или аккумулятору, поднять или перенести его, убедитесь, что выключатель находится в положении «Выключено». Не переносите электроинструмент с нажатым курковым выключателем и не подключайте к сетевой розетке электроинструмент, выключатель которого установлен в положение «Включено», это может привести к несчастному случаю.
- г) Перед включением электроинструмента снимите с него все регулировочные или гаечные ключи. Регулировочный или гаечный ключ, оставленный закрепленным на вращающейся части электроинструмента, может стать причиной тяжелой травмы.
- д) Работайте в устойчивой позе. Всегда сохраняйте равновесие и устойчивую позу. Это позволит вам не потерять контроль при работе с электроинструментом в непредвиденной ситуации.
- е) Одевайтесь соответствующим образом. Во время работы не надевайте свободную одежду или украшения. Следите за тем, чтобы ваши волосы, одежда или перчатки находились в постоянном отдалении от движущихся частей инструмента. Свободная одежда, украшения или длинные волосы могут попасть в движущиеся части инструмента.

ж) Если электроинструмент снабжен устройством сбора и удаления пыли, убедитесь, что данное устройство подключено и используется надлежащим образом. Использование устройства пылеудаления значительно снижает риск возникновения несчастного случая, связанного с запыленностью рабочего пространства.

Использование электроинструментов и технический уход

- а) Не перегружайте электроинструмент. Используйте ваш инструмент по назначению. Электроинструмент работает надежно и безопасно только при соблюдении параметров, указанных в его технических характеристиках.
- б) Не используйте электроинструмент, если его выключатель не устанавливается в положение включения или выключения. Электроинструмент с неисправным выключателем представляет опасность и подлежит ремонту.
- в) Отключайте электроинструмент от сетевой розетки и/или извлекайте аккумулятор перед регулированием, заменой принадлежностей или при хранении электроинструмента. Такие меры предосторожности снижают риск случайного включения электроинструмента.
- г) Храните неиспользуемые электроинструменты в недоступном для детей месте и не позволяйте лицам, не знакомым с электроинструментом или данными инструкциями, работать с электроинструментом. Электроинструменты представляют опасность в руках неопытных пользователей.
- д) Регулярно проверяйте исправность электроинструмента. Проверяйте точность совмещения и легкость перемещения подвижных частей, целостность деталей и любых других элементов электроинструмента, воздействующих на его работу. Не используйте неисправный электроинструмент, пока он не будет полностью отремонтирован. Большинство несчастных случаев являются следствием недостаточного технического ухода за электроинструментом.
- е) Следите за остротой заточки и чистотой режущих принадлежностей. Принадлежности с острыми кромками позволяют избежать заклинивания и делают работу менее утомительной.
- ж) Используйте электроинструмент, аксессуары и насадки в соответствии с данным Руководством и с учетом рабочих условий и характера будущей работы. Использование электроинструмента не по назначению может создать опасную ситуацию.

Техническое обслуживание

Ремонт вашего электроинструмента должен производиться только квалифицированными специалистами с использованием оригинальных запасных частей. Это обеспечит безопасность и надежность электроинструмента в дальнейшей эксплуатации.

Дополнительные меры безопасности для угловых шлифовальных машин

Общие предупреждающие указания по шлифованию.

- а) Угловые шлифовальные машины предназначены для шлифования абразивными кругами, наждачной бумагой, для работ с проволочными щетками и в качестве отрезной шлифовальной машины. Учитывайте все предупреждающие указания и инструкции, которые вы получите с электроинструментом. Несоблюдение указаний может привести к поражению электротоком, пожару и/или тяжелым травмам.
- б) Не применяйте оснастку и принадлежности, которые не предусмотрены изготовителем специально для данного типа инструмента и не рекомендованы им. Только физическая возможность крепления оснастки на вашем электроинструменте не гарантирует ее безопасного и надежного применения.
- в) Допустимая частота вращения оснастки должна быть не менее указанного на электрической машине максимального числа оборотов. Оснастка, вращающаяся с большей, чем допустимо, скоростью, может разорваться и стать причиной серьезной травмы.
- г) Наружный диаметр и толщина оснастки должны соответствовать размерам вашей электрической машины. Оснастка несоответствующего размера не может быть безопасной в эксплуатации и должным образом контролироваться.
- д) Шлифовальные круги, фланцы, шлифовальные тарелки или другие принадлежности должны плотно устанавливаться на шпинделе вашей электрической машины. Оснастка, установленная на шпиндель с люфтом, приводит к сильной вибрации и потере контроля над инструментом.

- е) Во избежание серьезных травм не применяйте поврежденную оснастку. Проверяйте каждый раз перед использованием шлифовальные круги на сколы и трещины, шлифовальные тарелки на трещины, риски или сильный износ, проволочные щетки на незакрепленные или поломанные элементы.
- ж) Применяйте средства индивидуальной защиты. В зависимости от выполняемой работы применяйте защитный щиток для лица, защитные средства для глаз или защитные очки. При необходимости применяйте противопылевой респиратор, средства защиты органов слуха, защитные перчатки или специальный фартук, которые защитят от искр, абразивных частиц и частиц материала.
- з) Следите за тем, чтобы посторонние лица находились на безопасном расстоянии от рабочего участка. Сколки детали или оснастки в случае ее разрыва могут отлететь в сторону и стать причиной травмы даже на значительном расстоянии от места проведения работ.
- и) Держите электрическую машину только за изолированные поверхности рукояток, если вы выполняете работы, при которых оснастка может попасть на скрытую электропроводку или на собственный шнур электропитания. Контакт с токоведущим проводом ставит под напряжение все металлические части электроинструмента и ведет к поражению электрическим током.
- к) Держите шнур питания в стороне от вращающейся оснастки. Если вы потеряете контроль над электрической машиной, то шнур питания может быть перерезан или захвачен вращающейся оснасткой.
- л) Никогда не выпускайте электрическую машину из рук, пока оснастка полностью не остановится. Вращающаяся оснастка может зацепиться за опорную поверхность или другой предмет, и в результате вы можете потерять контроль над электрической машиной.
- м) Регулярно очищайте вентиляционные отверстия электрической машины. Вентилятор двигателя затягивает пыль в корпус, и большое скопление металлической пыли может привести к выходу инструмента из строя.
- н) Не используйте оснастку, требующую применения охлаждающих жидкостей. Применение воды или других охлаждающих жидкостей может привести к поломке электрической машины и поражению электрическим током.
- о) Крепко держите электрическую машину и займите положение, в котором вы можете противодействовать обратным силам. Всегда используйте дополнительную рукоятку, чтобы как можно лучше противодействовать обратным силам или реакционным моментам при наборе оборотов.
- п) Особенно осторожно работайте на углах, острых кромках и т.д. Предотвращайте отскок оснастки от заготовки и ее заклинивание. Вероятный отскок и заклинивание оснастки вызывают потерю контроля или обратный удар.
- р) При обработке камня применяйте отсос пыли. Пылесос должен быть приспособлен для работы с каменной пылью. Использование этих устройств снижает опасность от воздействия пыли.

Специальные предупреждающие указания при шлифовании и отрезке

- а) Применяйте рекомендуемые исключительно для вашей электрической машины абразивные инструменты и предусмотренные для них защитные кожухи. Абразивные инструменты, не предусмотренные для этой электрической машины, не могут быть достаточно безопасны.
- б) Защитный кожух должен быть надежно закреплен на электрической машине и настроен так, чтобы достигалась наибольшая степень безопасности, т. е. в сторону оператора должна быть открыта как можно меньшая часть оснастки. Защитный кожух должен защищать оператора от осколков и случайного контакта с оснасткой.
- в) Абразивные инструменты допускается использовать только по назначению. Никогда не шлифуйте боковой поверхностью отрезного круга. Отрезные круги предназначены для резки материала кромкой. Иное применение круга может привести к его разрушению и травмам.

Дополнительные специальные предупреждающие указания при шлифовании и отрезке

- а) Предотвращайте блокирование отрезного круга, не превышайте усилие прижатия. Не выполняйте слишком глубоких резов. Перегрузка отрезного круга повышает вероятность его перекашивания или блокирования и этим повышается риск обратного удара или поломки оснастки.
- б) Будьте особенно осторожны при резке отрезным кругом в направлении от себя. В случае обратного удара электроинструмент с вращающимся кругом может отскочить прямо на вас.

- в) При заклинивании отрезного круга выключите электрическую машину и удерживайте ее до остановки круга. Никогда не пытайтесь вынуть еще вращающийся отрезной круг, так как это может привести к обратному удару. Установите и устраните причину заклинивания.
- г) Не включайте повторно электрическую машину, если оснастка находится в заготовке. Дайте отрезному кругу развить полное число оборотов, перед тем как вы осторожно продолжите резание. В противном случае круг может заклинить, что приведет к обратному удару.
- д) Плиты или большие заготовки должны надежно лежать на опоре, чтобы снизить опасность заклинивания отрезного круга. Учитывайте, что большие заготовки могут прогибаться под собственным весом.

Специальные предупреждающие указания при шлифовании наждачной бумагой

Не применяйте шлифовальные листы с завышенными размерами, а следуйте данным изготовителя по размерам шлифовальных листов. Шлифовальные листы, выступающие за край шлифовальной тарелки, могут стать причиной травм и блокирования, рваться или привести к обратному удару.

Особые предупреждающие указания для работ с проволочными щетками

- а) Учитывайте, что проволочные щетки теряют элементы и при нормальной работе. Не перегружайте щетки чрезмерным усилием прижатия. Отлетающие куски проволоки могут легко проникнуть через одежду и травмировать оператора.
- б) Если для работы рекомендуется использовать защитный кожух, то исключайте соприкосновение проволочной щетки с кожухом. Учитывайте, что тарельчатые и чашечные щетки могут увеличивать свой диаметр при вращении под действием центробежных сил.

Остаточные риски

Несмотря на соблюдение соответствующих инструкций по технике безопасности и использование предохранительных устройств, некоторые остаточные риски невозможно полностью исключить. К ним относятся:

- Травмы в результате касания горячих или вращающихся частей инструмента или обрабатываемой детали.
- Возможность воспламенения некоторых материалов при воздействии искр при шлифовании.
- Ухудшение слуха.
- Риск защемления пальцев при смене рабочей оснастки.
- Ущерб здоровью в результате воздействия вибрации, возникающей при работе.
- Ущерб здоровью в результате вдыхания пыли при работе с камнем, бетоном, кирпичом.
- Ущерб здоровью в результате длительного наблюдения искр, образующихся при шлифовании.

УСТРОЙСТВО И ПРИНЦИП РАБОТЫ

Общий вид машины представлен на рисунке 1.

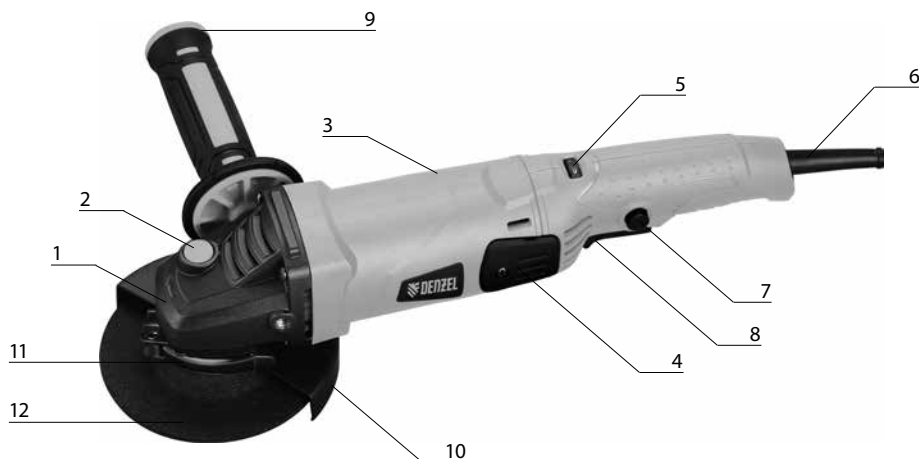


Рис. 1

- | | |
|---|---------------------------------------|
| 1. Корпус редуктора. | 7. Кнопка блокировки выключателя. |
| 2. Кнопка блокировки шпинделя. | 8. Клавиша выключателя питания. |
| 3. Корпус двигателя. | 9. Боковая рукоятка. |
| 4. Крышка щеточного узла. | 10. Кожух защитный. |
| 5. Регулятор частоты вращения
(для модели AG-125-1100A). | 11. Рычаг крепления защитного кожуха. |
| 6. Кабель питания. | 12. Оснастка. |

Описание

Машина шлифовальная угловая представляет собой машину вращательного действия, состоящую из электропривода и углового редуктора, на выходном валу которого предусмотрена возможность закрепления оснастки. Электроприводом служит коллекторный двигатель переменного тока, размещенный в пластмассовом корпусе.

Машина предназначена для работы шлифовальными или отрезными кругами, а также зачистным инструментом (металлическими/капроновыми чашечными и дисковыми щетками, лепестковыми шлифовальными головками и т.п.). Машина рассчитана на использование оснастки, имеющей рабочую скорость не менее 80 м/с.

Машина оборудована защитным кожухом, предохраняющим оператора от искр, вылетающих из зоны обработки продуктов износа оснастки, и травм при разрушении оснастки. Работа без использования защитного кожуха категорически запрещена по соображениям безопасности.

ЭКСПЛУАТАЦИЯ



ВНИМАНИЕ!

Перед работами по подготовке к эксплуатации, настройке, техническому обслуживанию электроинструмента всегда отключайте питающий кабель от электросети.

Установка защитного кожуха



ВНИМАНИЕ!

Кожух диска необходимо устанавливать на инструмент таким образом, чтобы закрытая сторона кожуха всегда находилась по направлению к оператору.

Для установки кожуха необходимо:

- отвести в сторону рычаг 11 (рис. 1) фиксации кожуха, ослабив крепежный хомут;
- установить защитный кожух на посадочное место крышки редуктора так, чтобы исключался выброс искр в сторону оператора;
- вращая регулировочную гайку хомута кожуха, отрегулировать размер хомута в соответствии с размером посадочного места так, чтобы обеспечивалась возможность свободного вращения кожуха на посадочном месте;
- затянуть хомут защитного кожуха с помощью рычага фиксации. При этом кожух должен быть надежно зафиксирован на своем посадочном месте, исключая его поворот во время работы. Избегайте приложения чрезмерного усилия к рычагу фиксации, при необходимости откорректируйте натяг с помощью регулировочной гайки хомута.

Установка боковой рукоятки



ВНИМАНИЕ!

Следует всегда использовать поставляемую с машиной дополнительную рукоятку. Потеря контроля над машиной может привести к травме.



ВНИМАНИЕ!

Перед работой всегда проверяйте надежность крепления боковой рукоятки.

Вкрутите рукоятку 9 (рис. 1) в резьбовое отверстие корпуса редуктора в удобное для работы положение.

Установка/снятие оснастки.



ВНИМАНИЕ!

Необходимо использовать армированные отрезные и шлифовальные диски, предназначенные для работы на угловых шлифовальных машинах и рассчитанные на линейную скорость резания не менее 80 м/с.

При установке/снятии оснастки блокировка шпинделя осуществляется клавишей 2 (рис. 1), расположенной на корпусе редуктора. Блокировка шпинделя также может осуществляться с помощью гаечного ключа S17. Крепление оснастки на шпинделе осуществляется с помощью фланца и гайки, затягиваемой специальным ключом, поставляемым в комплекте. Оснастка с резьбовым посадочным отверстием M14 крепится непосредственно на резьбовом конце шпинделя.



ВНИМАНИЕ!

Во избежание поломки машины и получения травм запрещается нажимать на кнопку блокировки шпинделя 2 (рис. 1) во время работы шлифовальной машины, а также до полной остановки шпинделя после выключения двигателя.

Подключение к сети



ВНИМАНИЕ!

Электроинструмент следует подключать только к однофазной сети переменного тока, напряжение которой соответствует напряжению, указанному на табличке характеристик, размещенной на корпусе инструмента. Если на табличке характеристик указано напряжение 230 В, то электроинструмент также можно включать в сеть напряжением 220 В.

При работе на улице используйте удлинители промышленного изготовления, предназначенные для использования вне помещений. Не используйте самодельные удлинители. При работе вне помещений подключайте электроинструмент к цепи питания, снабженной дифференциальным автоматом с током срабатывания не более 30 мА, это снизит вероятность удара электрическим током.

При подключении убедитесь в целостности изоляции электрического кабеля и сетевой вилки машины. Убедитесь, что выключатель питания на корпусе машины находится в положении «Отключено».

Данный электроинструмент можно подключать к розеткам, не имеющим защитного заземления, поскольку он имеет двойную изоляцию (класс защиты II).

Регулировка частоты вращения шпинделя (для модели AG-125-1100A)

В зависимости от вида используемой оснастки, вида обрабатываемого материала и характера обработки можно выбрать оптимальную частоту вращения шпинделя машины. Выбор осуществляется с помощью регулятора 5 (рис. 1). Числа на кольце регулятора соответствуют положениям кольца и не указывают на конкретную частоту вращения, выраженную в оборотах в минуту. Большому числу соответствует большая частота вращения шпинделя и оснастки.



ВНИМАНИЕ!

Машина не предназначена для полировальных работ.



ВНИМАНИЕ!

Не перегружайте машину, работающую на пониженных оборотах. При снижении частоты вращения ротора двигателя ухудшается охлаждение машины.

Перед началом эксплуатации необходимо:

- осмотреть машину и убедиться в ее комплектности и отсутствии внешних повреждений;
- убедиться в корректности работы выключателя питания;
- после транспортировки в зимних условиях перед включением выдержать машину при комнатной температуре до полного высыхания конденсата.

Приступая к работе, следует:

- установить рукоятки и защитный кожух в удобное для работы положение;
- проверить затяжку резьбового соединения фиксации оснастки;
- повернуть шпиндель с оснасткой от руки: его ход должен быть свободным, без заеданий;
- опробовать машину на холостом ходу (также после замены шлифовального круга);
- убедиться в том, что клавиша выключателя питания находится в положении «Выключено», после чего подключить машину к сети питания.

Для включения машины необходимо нажать клавишу выключателя 8 (рис. 1) при нажатой кнопке 7 (рис. 1).

Для отключения машины отпустите клавишу 8.


ВНИМАНИЕ!

При работе защитный кожух всегда должен быть установлен. Необходимо использовать защитные очки.

Во время работы:

- после включения двигателя дайте машине развить заданную частоту вращения оснастки и только после этого вводите в контакт оснастку и заготовку;
- всегда используйте машину только для тех видов работ, для которых она предназначена. При обработке древесины используйте только соответствующую для этого оснастку, безопасность применения которой на угловой шлифовальной машине не вызывает сомнений.


ВНИМАНИЕ!

Никогда не используйте пильные диски, предназначенные для циркулярных пил, на угловых шлифовальных машинах. Это чрезвычайно опасно!

- не допускайте механических повреждений, ударов, падения машины на твердые поверхности и т.п.;
- оберегайте машину от воздействия интенсивных источников тепла или химически активных веществ, а также от попадания жидкостей и посторонних твердых предметов внутрь машины;
- обеспечьте эффективный отвод продуктов обработки из зоны резания;
- не перекрывайте и не загораживайте вентиляционные отверстия в корпусе машины;
- выключайте машину с помощью выключателя перед подключением/отключением от сети электропитания;
- следите за состоянием оснастки и нагревом электродвигателя;
- в процессе работы не допускайте нажатий на кнопку фиксации шпинделя 2 - это мгновенно приведет к поломке машины и травме оператора.

По окончании работы:

- отключите машину от электросети, убедившись, что выключатель находится в положении «Выключено»;
- очистите машину и ее дополнительные принадлежности от грязи.

Рекомендации по эксплуатации

Перед тем как начать обрабатывать деталь, необходимо надежно закрепить ее, если она имеет малый вес. Для достижения максимальной производительности при шлифовании угол, образуемый абразивным кругом и обрабатываемой поверхностью, должен быть в пределах 30 – 40 градусов. Плавное перемещение машины вдоль обрабатываемой поверхности, прижимая диск с небольшим усилием. Таким образом, исключается перегрев и изменение цвета обрабатываемой поверхности, повышается качество обработки.


ВНИМАНИЕ!

Никогда не используйте отрезной круг для шлифовки.

При резке с помощью отрезного круга нельзя оказывать давление на рукоятки электроинструмента, наклонять электроинструмент. Избегайте вибрации и отклонения отрезного диска. Работать нужно аккуратно и осторожно, учитывая характеристики обрабатываемого материала. Очень важно учитывать направление движения электроинструмента. Электроинструмент нужно перемещать против вращения диска, в противном случае есть риск потерять контроль над электроинструментом.

При резке профилей и прямоугольных труб рекомендуется начинать резку с более узкого конца.

Не допускайте перегрева наружных частей машины при длительной работе. При чрезмерном нагреве прекратите работу, дайте машине поработать без нагрузки в течение 1...2 минут для охлаждения двигателя, выключите двигатель и сделайте перерыв до остывания корпуса редуктора.

Не допускайте работу машины при появлении посторонних или нехарактерных шумов в двигателе или механизме. При появлении шумов выключите машину и обратитесь в авторизованный сервис.

ШУМ И ВИБРАЦИЯ

Шумовые и вибрационные характеристики приведены в таблице 1.

Однако если машина будет использована для выполнения других работ с применением оснастки, не предусмотренной изготовителем, или техническое обслуживание не будет отвечать предписаниям, то уровень вибрации может быть иным.



ВНИМАНИЕ!

Всегда применяйте средства индивидуальной защиты органов слуха.

ОБСЛУЖИВАНИЕ



ВНИМАНИЕ!

Перед началом работ по обслуживанию машины отсоедините вилку шнура питания от штепсельной розетки. Для обеспечения качественной и безопасной работы следует постоянно содержать электроинструмент и вентиляционные отверстия в чистоте.

- Если вы заметили снижение частоты вращения оснастки или посторонний шум при работе, то необходимо сдать устройство в центр технического обслуживания для его диагностики и ремонта.
- Обслуживание оснастки. Использование изношенного сменного инструмента снижает эффективность выполняемой работы и может привести к выходу из строя мотора или редуктора, поэтому необходимо периодически заменять износившуюся оснастку, как только в этом появляется необходимость.
- Уход за электродвигателем. Необходимо особенно бережно относиться к электродвигателю, не допускать попадания жидкостей и посторонних предметов внутрь корпуса. Следите за чистотой вентиляционных отверстий, регулярно продувайте их сжатым воздухом или очищайте щеткой. При появлении заметных искр в вентиляционных отверстиях корпуса двигателя обратитесь в авторизованный сервисный центр для диагностики и, возможно, замены угольных щеток.

Для предотвращения попадания пыли и вытекания смазки машина имеет герметичный корпус редуктора. Поэтому устройство может использоваться продолжительное время без необходимости замены или добавления смазки. После первоначального пуска в эксплуатацию меняйте смазку раз в 6 месяцев эксплуатации. Для замены смазки обратитесь в центр технического обслуживания.

В случае любого повреждения шнура питания немедленно выключите машину, аккуратно, не касаясь мест повреждения, отключите ее от электросети.



ВНИМАНИЕ!

В машинах используется шнур питания с креплением типа Y: в целях безопасности его замену должен осуществлять персонал уполномоченных ремонтных мастерских.

Возможные неисправности

Неисправность	Вероятная причина	Метод устранения
Инструмент не включается.	Обрыв шнура питания или монтажных проводов, неисправность вилки шнура питания.	Обратиться в сервисный центр.
	Неисправен выключатель.	Обратиться в сервисный центр.
	Износ щеток.	Обратиться в сервисный центр.
Образование кругового огня на коллекторе.	Неисправность в обмотке якоря.	Обратиться в сервисный центр.
	Износ/"зависание" щеток.	Обратиться в сервисный центр.
Повышенный шум в редукторе.	Износ/поломка деталей механизма.	Обратиться в сервисный центр.
При работе из вентиляционных отверстий появляется дым или запах горелой изоляции.	Межвитковое замыкание обмоток якоря или статора.	Обратиться в сервисный центр.
	Неисправность электрической части инструмента.	Обратиться в сервисный центр.
Повышенная вибрация машины.	Износ/поломка зубчатых колес или подшипников.	Обратиться в сервисный центр.
	Неисправная или неправильно установленная оснастка.	Заменить или переустановить оснастку.

УТИЛИЗАЦИЯ

Машина, выработавшая назначенный срок службы, подлежит утилизации в соответствии с правилами, установленными природоохранным и иным законодательством страны, в которой эксплуатируется машина.

ТРАНСПОРТИРОВКА

Во время транспортировки недопустимо прямое воздействие осадков, прямых солнечных лучей, нагрева и ударов. Транспортировка должна осуществляться только в фирменной упаковке при температуре окружающей среды от -20 °С до +40 °С.

ХРАНЕНИЕ

Во время назначенного срока службы храните машину в сухом отапливаемом помещении. Рекомендуемая температура хранения от 0 °С до +40 °С. Храните машину в фирменной упаковке. Перед помещением машины на хранение снимите рабочую оснастку.

СРОК СЛУЖБЫ

Средний срок службы изделия при условии соблюдения потребителем правил эксплуатации составляет 5 лет.

ГАРАНТИЙНЫЕ ОБЯЗАТЕЛЬСТВА

На изделие распространяется гарантия производителя.

Период гарантийного обслуживания указан в гарантийном талоне и исчисляется с момента продажи.

Правила гарантийного обслуживания приведены в гарантийном талоне.

ИМПОРТЕР

Импортер и продавец в РФ: ООО «МИР ИНСТРУМЕНТА», 142703, РФ, МО, г. Видное, ул. Радиальная 3-я, д. 8, пом. 1-Н, ком. 2; в РК: ТОО «Мир инструмента-Алматы», РК, Алматинская обл., Карасайский р-н, Ельтайский с/о, с. Береке. Телефон: +7 (495) 234-41-30.

Продукция соответствует требованиям:

ТР ТС 010/2011 «О безопасности машин и оборудования»,

ТР ТС 020/2011 «Электромагнитная совместимость технических средств»,

ТР ТС 004/2011 «О безопасности низковольтного оборудования».



Гарантийный талон

срок гарантии 12 месяцев

с возможностью расширенной
гарантии до 36 месяцев

ВНИМАНИЕ!

Пожалуйста, требуйте от продавца полностью заполнить все поля
гарантийного талона.

Наименование изделия:

Серийный номер:

Дата продажи:

Наименование и адрес торговой организации:

Изделие проверено в присутствии потребителя:

Печать торговой организации и подпись продавца:

Благодарим вас за приобретение нашей продукции. Фирма-изготовитель
предоставляет на приобретенное вами изделие настоящую гарантию
сроком на 12 месяцев со дня продажи.

ВНИМАНИЕ! ИЗДЕЛИЕ В ГАРАНТИЙНУЮ МАСТЕРСКУЮ СДАЕТСЯ В ЧИСТОМ ВИДЕ.

Гарантийные обязательства компании ООО «МИР ИНСТРУМЕНТА»

При покупке изделия требуйте проверки его комплектности и исправности в вашем присутствии, инструкцию по эксплуатации на русском языке и заполненный гарантийный талон. При отсутствии у вас правильно заполненного гарантийного талона мы будем вынуждены отклонить ваши претензии по качеству данного изделия.

Перед началом работы с данным изделием следует внимательно ознакомиться с инструкцией по эксплуатации.

Все условия гарантии соответствуют действующему законодательству РФ.

Базовая гарантия

Гарантийный срок на данное изделие составляет 12 месяцев и исчисляется со дня продажи конечному потребителю.

В случае устранения недостатков товара гарантийный срок на него продлевается на период, в течение которого товар не использовался. Указанный период исчисляется со дня обращения потребителя с требованием об устранении недостатков товара до дня выдачи его по окончании ремонта.

Гарантийные обязательства распространяются только на неисправности, выявленные в течение гарантийного срока и обусловленные производственными или конструктивными факторами.

Расширенная гарантия

Гарантийный срок может быть продлен до 36 месяцев при условии безусловного бытового применения. Расширенная гарантия предоставляется только при условии, если владелец регистрирует инструмент на сайте компании «МИР ИНСТРУМЕНТА» www.instrument.ru в разделе «Сервис» в течение 4 недель с момента приобретения.

Подтверждением участия в программе расширенной гарантии конкретного инструмента и корректной регистрации инструмента является регистрационный сертификат, который следует распечатать на принтере во время регистрации. Регистрация возможна только после подтверждения покупателем согласия на сохранение личных данных, запрашиваемых в процессе регистрации.

Гарантия не распространяется в следующих случаях:

- Если детали были подвержены рабочему и другим видам естественного износа, а также при неисправности инструмента, вызванной данными видами износа.
- Неисправности инструмента, вызванные несоблюдением инструкций по эксплуатации или произошедшие в результате использования инструмента не по назначению, во время использования при неблагоприятных условиях окружающей среды, ненадлежащих производственных условиях, вследствие перегрузок или недостаточного, ненадлежащего технического обслуживания или ухода.
- Использование изделия в условиях высокой интенсивности работ и сверхтяжелых нагрузок. К безусловным признакам перегрузки изделия относятся, помимо прочего, появление цветов побежалости, деформация или оплавление деталей и узлов изделия, потемнение или облупливание изоляции проводов под воздействием высокой температуры.
- Механические повреждения (трещины, сколы и т.д.) и повреждения, вызванные воздействием агрессивных сред, высокой влажности и высоких температур, попаданием инородных предметов в вентиляционные отверстия электроинструмента, а также повреждения, наступившие вследствие коррозии металлических частей и неправильного хранения.
- Естественный износ принадлежностей, быстроизнашивающихся частей и расходных материалов, таких как приводные ремни, аккумуляторные батареи, стволы, направляющие ролики, защитные кожухи, цанги, патроны, подошвы, пыльные цепи, пыльные шины, звездочки, шины, угловые щетки, ножи, пилки, абразивы, сверла, буры, лески для триммера и т.п.
- Вскрытие, ремонт или модификация инструмента вне уполномоченного сервисного центра.
- Стихийное бедствие.
- Неблагоприятные атмосферные и иные внешние воздействия на изделие, такие как дождь, снег, повышенная влажность, нагрев, агрессивные среды.
- Использование принадлежностей, расходных материалов и запасных частей, ГСМ, не рекомендованных производителем.

Средний срок службы изделия — 5 лет.

Устранение неисправностей, признанных как гарантийный случай, осуществляется на выбор компании посредством ремонта или заменой неисправного инструмента на новый (возможно, на модель следующего поколения). Замененные инструменты и детали переходят в собственность компании.

Гарантийные претензии принимаются в течение гарантийного срока. Для этого необходимо предъявить или отправить неисправный инструмент в указанный в документации (на сайте ipsremont.ru) сервисный центр, приложив заполненный гарантийный талон, подтверждающий дату покупки товара и его наименование. В случае действия расширенной 36-месячной гарантии на основании упомянутой выше регистрации, к инструменту следует приложить и регистрационный сертификат расширенной гарантии. Инструмент, отправленный дилеру или в сервисный центр в частично или полностью разобранном виде, под действие гарантии не подпадает. Все риски по пересылке инструмента дилеру или в сервисный центр несет владелец инструмента.

Другие претензии, кроме упомянутого права на бесплатное устранение недостатков инструмента, под действие гарантии не подпадают. После гарантийного ремонта на условиях расширенной гарантии срок расширенной гарантии инструмента не продлевается и не возобновляется.

С уважением, компания ООО «МИР ИНСТРУМЕНТА»

Изделие проверялось в моем присутствии, исправно, укомплектовано, внешний вид без повреждений. Всю необходимую для пользования данным изделием информацию и руководство от продавца получил, с условиями гарантии ознакомлен и согласен, правильность заполнения гарантийного талона проверил.

_____ Подпись покупателя

Адреса и телефоны сервисных центров, обслуживающих продукцию компании ООО «МИР ИНСТРУМЕНТА», вы можете найти на сайте www.ipsremont.ru или уточнить в наших филиалах. Адреса и телефоны филиалов указаны на официальном сайте компании ООО «МИР ИНСТРУМЕНТА» www.instrument.ru.

Заполняется сервисным центром

Сервисный наряд № Дата поступления Дата выдачи Наименование сервиса Исполнитель Ф.И.О.

Печать сервисного центра и подпись ответственного лица

МП

Заполняется продавцом

Наименование изделия Серийный номер Дата продажи

МП

Печать торговой организации

Заполняется сервисным центром

Сервисный наряд № Дата поступления Дата выдачи Наименование сервиса Исполнитель Ф.И.О.

Печать сервисного центра и подпись ответственного лица

МП

Заполняется продавцом

Наименование изделия Серийный номер Дата продажи

МП

Печать торговой организации

Заполняется сервисным центром

Сервисный наряд № Дата поступления Дата выдачи Наименование сервиса Исполнитель Ф.И.О.

Печать сервисного центра и подпись ответственного лица

МП

Заполняется продавцом

Наименование изделия Серийный номер Дата продажи

МП

Печать торговой организации

Заполняется сервисным центром

Сервисный наряд №

Дата поступления

Дата выдачи

Наименование сервиса

Исполнитель Ф.И.О.

Контактная информация пользователя

Ф.И.О.:

Адрес:

Телефон:

Подпись покупателя _____ МП





Заполняется сервисным центром

Сервисный наряд №

Дата поступления

Дата выдачи

Наименование сервиса

Исполнитель Ф.И.О.

Контактная информация пользователя

Ф.И.О.:

Адрес:

Телефон:

Подпись покупателя _____ МП





Заполняется сервисным центром

Сервисный наряд №

Дата поступления

Дата выдачи

Наименование сервиса

Исполнитель Ф.И.О.

Контактная информация пользователя

Ф.И.О.:

Адрес:

Телефон:

Подпись покупателя _____ МП