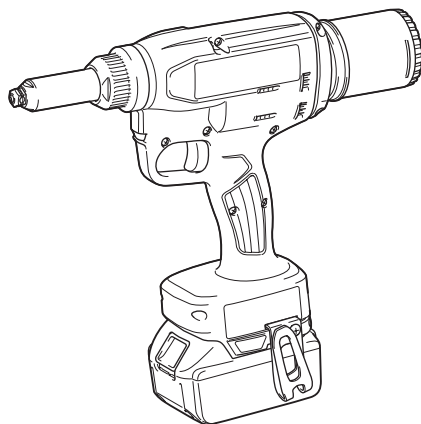




EN	Cordless Rivet Gun	INSTRUCTION MANUAL	4
SV	Batteridrivnen nitpistol	BRUKSANVISNING	10
NO	Batteridreven naglepistol	BRUKSANVISNING	16
FI	Akkuniittipistooli	KÄYTTÖOHJE	22
LV	Akumulatora kniedētājs	LIETOŠANAS INSTRUKCIJA	28
LT	Belaidis kniedijimo pistoletas	NAUDOJIMO INSTRUKCIJA	34
ET	Juhtmeta needipüstol	KASUTUSJUHEND	40
RU	Акумуляторный Заклепочный Пистолет	РУКОВОДСТВО ПО ЭКСПЛУАТАЦИИ	46

DRV150
DRV250



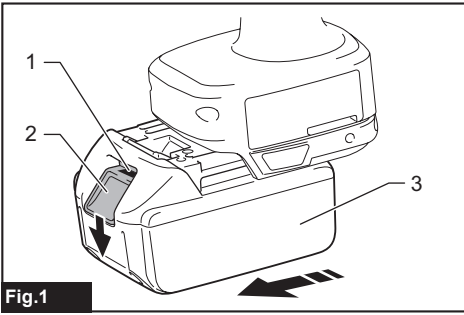


Fig.1

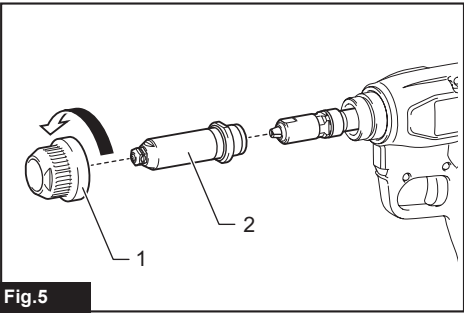


Fig.5



Fig.2

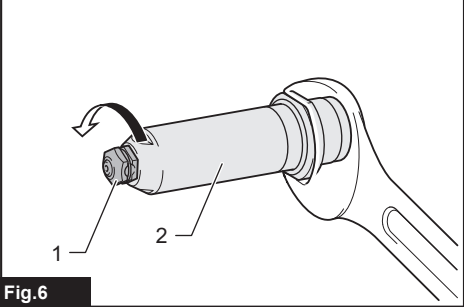


Fig.6

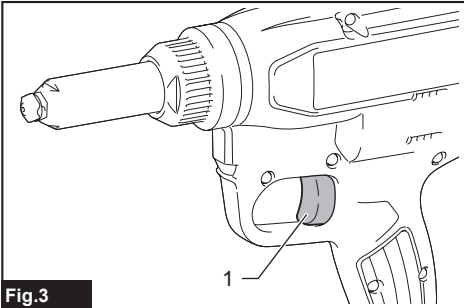


Fig.3

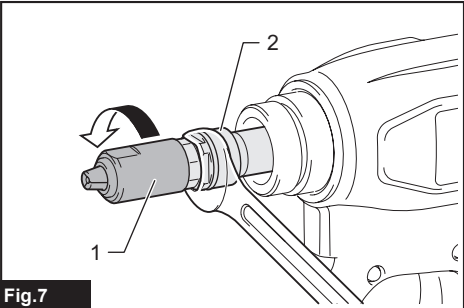


Fig.7

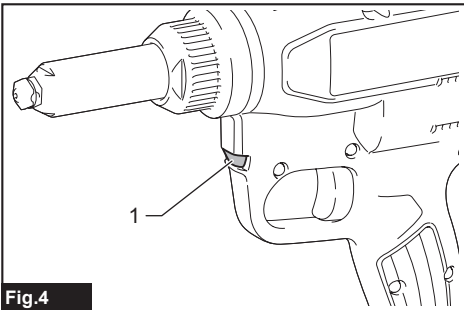


Fig.4

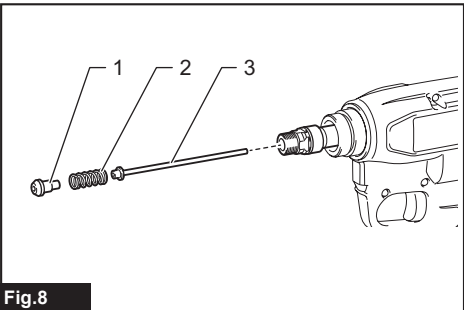


Fig.8

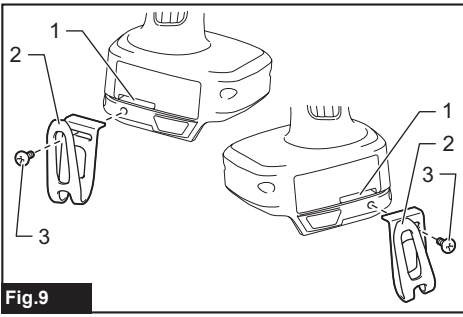


Fig.9

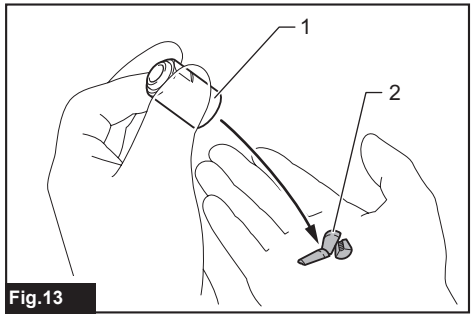


Fig.13

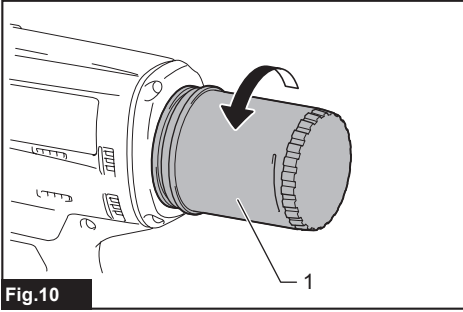


Fig.10

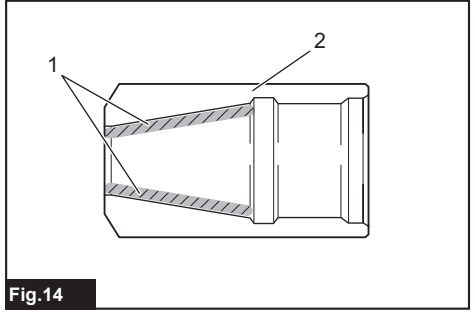


Fig.14

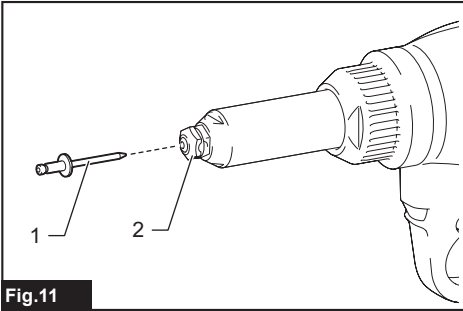


Fig.11

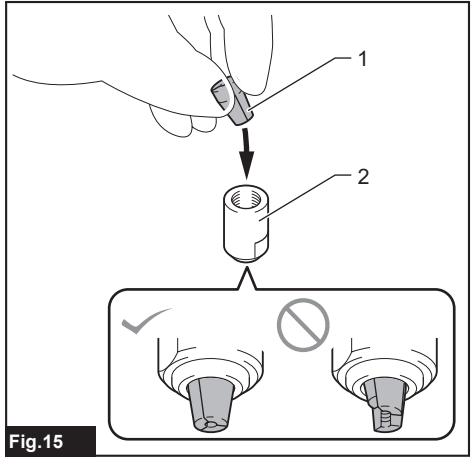


Fig.15

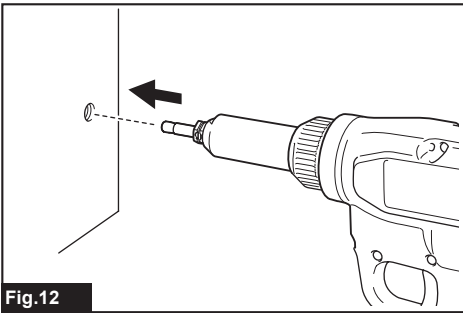


Fig.12

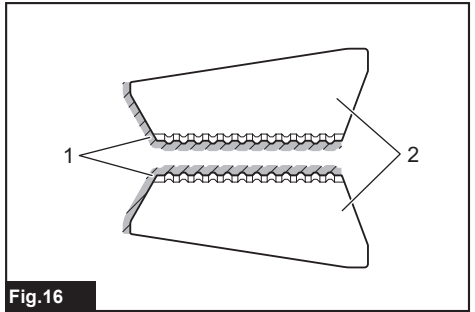


Fig.16

SPECIFICATIONS

Model:	DRV150	DRV250
Pulling force	10 kN	20 kN
Stroke	25 mm	30 mm
Overall length	313 mm	323 mm
Rated voltage	D.C. 18 V	
Net weight	1.9 - 2.2 kg	2.1 - 2.4 kg

- Due to our continuing program of research and development, the specifications herein are subject to change without notice.
- Specifications may differ from country to country.
- The weight may differ depending on the attachment(s), including the battery cartridge. The lightest and heaviest combination, according to EPTA-Procedure 01/2014, are shown in the table.

Applicable battery cartridge and charger

Battery cartridge	BL1815N / BL1820 / BL1820B / BL1830 / BL1830B / BL1840 / BL1840B / BL1850 / BL1850B / BL1860B
Charger	DC18RC / DC18RD / DC18RE / DC18SD / DC18SE / DC18SF / DC18SH

- Some of the battery cartridges and chargers listed above may not be available depending on your region of residence.

⚠ WARNING: Only use the battery cartridges and chargers listed above. Use of any other battery cartridges and chargers may cause injury and/or fire.

Intended use

The tool is intended for installing blind rivet.

Noise

The typical A-weighted noise level determined according to EN62841-1:

Model DRV150

Sound pressure level (L_{pA}) : 75 dB(A)

Uncertainty (K) : 3 dB(A)

Model DRV250

Sound pressure level (L_{pA}) : 74 dB(A)

Uncertainty (K) : 3 dB(A)

The noise level under working may exceed 80 dB (A).

NOTE: The declared noise emission value(s) has been measured in accordance with a standard test method and may be used for comparing one tool with another.

NOTE: The declared noise emission value(s) may also be used in a preliminary assessment of exposure.

⚠ WARNING: Wear ear protection.

⚠ WARNING: The noise emission during actual use of the power tool can differ from the declared value(s) depending on the ways in which the tool is used especially what kind of workpiece is processed.

⚠ WARNING: Be sure to identify safety measures to protect the operator that are based on an estimation of exposure in the actual conditions of use (taking account of all parts of the operating cycle such as the times when the tool is switched off and when it is running idle in addition to the trigger time).

Vibration

The vibration total value (tri-axial vector sum) determined according to EN62841-1:

Model DRV150

Work mode: Installing blind rivet

Vibration emission (a_{hv}) : 2.5 m/s² or less

Uncertainty (K) : 1.5 m/s²

Model DRV250

Work mode: Installing blind rivet

Vibration emission (a_{hv}) : 2.5 m/s² or less

Uncertainty (K) : 1.5 m/s²

NOTE: The declared vibration total value(s) has been measured in accordance with a standard test method and may be used for comparing one tool with another.

NOTE: The declared vibration total value(s) may also be used in a preliminary assessment of exposure.

⚠ WARNING: The vibration emission during actual use of the power tool can differ from the declared value(s) depending on the ways in which the tool is used especially what kind of workpiece is processed.

⚠ WARNING: Be sure to identify safety measures to protect the operator that are based on an estimation of exposure in the actual conditions of use (taking account of all parts of the operating cycle such as the times when the tool is switched off and when it is running idle in addition to the trigger time).

EC Declaration of Conformity

For European countries only

The EC declaration of conformity is included as Annex A to this instruction manual.

SAFETY WARNINGS

General power tool safety warnings

⚠ WARNING: Read all safety warnings, instructions, illustrations and specifications provided with this power tool. Failure to follow all instructions listed below may result in electric shock, fire and/or serious injury.

Save all warnings and instructions for future reference.

The term "power tool" in the warnings refers to your mains-operated (corded) power tool or battery-operated (cordless) power tool.

Cordless rivet gun safety warnings

1. **Hold the tool firmly.**
2. **Keep hands away from moving parts.**
3. **Always be sure you have a firm footing. Be sure no one is below when using the tool in high locations.**
4. **Be careful not to drop the broken off mandrel from high locations.** Doing so may cause an accident or injury.
5. **Do not scatter the broken off mandrels on the floor.** You may be injured by the sharp end of the broken off mandrel or by slipping on the mandrel.
6. **Do not point the tool at a person or yourself when operating the tool.** The rivet or broken off mandrel may accidentally ejected, and you may be injured.

Important safety instructions for battery cartridge

1. **Before using battery cartridge, read all instructions and cautionary markings on (1) battery charger, (2) battery, and (3) product using battery.**
2. **Do not disassemble battery cartridge.**
3. **If operating time has become excessively shorter, stop operating immediately.** It may result in a risk of overheating, possible burns and even an explosion.
4. **If electrolyte gets into your eyes, rinse them out with clear water and seek medical attention right away.** It may result in loss of your eyesight.
5. **Do not short the battery cartridge:**
 - (1) **Do not touch the terminals with any conductive material.**

- (2) **Avoid storing battery cartridge in a container with other metal objects such as nails, coins, etc.**
- (3) **Do not expose battery cartridge to water or rain.**

A battery short can cause a large current flow, overheating, possible burns and even a breakdown.

6. **Do not store the tool and battery cartridge in locations where the temperature may reach or exceed 50 °C (122 °F).**
7. **Do not incinerate the battery cartridge even if it is severely damaged or is completely worn out. The battery cartridge can explode in a fire.**
8. **Be careful not to drop or strike battery.**
9. **Do not use a damaged battery.**
10. **The contained lithium-ion batteries are subject to the Dangerous Goods Legislation requirements.**

For commercial transports e.g. by third parties, forwarding agents, special requirement on packaging and labeling must be observed.

For preparation of the item being shipped, consulting an expert for hazardous material is required. Please also observe possibly more detailed national regulations.

Tape or mask off open contacts and pack up the battery in such a manner that it cannot move around in the packaging.

11. **When disposing the battery cartridge, remove it from the tool and dispose of it in a safe place. Follow your local regulations relating to disposal of battery.**
12. **Use the batteries only with the products specified by Makita.** Installing the batteries to non-compliant products may result in a fire, excessive heat, explosion, or leak of electrolyte.
13. **If the tool is not used for a long period of time, the battery must be removed from the tool.**

SAVE THESE INSTRUCTIONS.

⚠ CAUTION: Only use genuine Makita batteries. Use of non-genuine Makita batteries, or batteries that have been altered, may result in the battery bursting causing fires, personal injury and damage. It will also void the Makita warranty for the Makita tool and charger.

Tips for maintaining maximum battery life

1. **Charge the battery cartridge before completely discharged. Always stop tool operation and charge the battery cartridge when you notice less tool power.**
2. **Never recharge a fully charged battery cartridge. Overcharging shortens the battery service life.**
3. **Charge the battery cartridge with room temperature at 10 °C - 40 °C (50 °F - 104 °F). Let a hot battery cartridge cool down before charging it.**
4. **Charge the battery cartridge if you do not use it for a long period (more than six months).**

FUNCTIONAL DESCRIPTION

CAUTION: Always be sure that the tool is switched off and the battery cartridge is removed before adjusting or checking function on the tool.

Installing or removing battery cartridge

CAUTION: Always switch off the tool before installing or removing of the battery cartridge.

CAUTION: Hold the tool and the battery cartridge firmly when installing or removing battery cartridge. Failure to hold the tool and the battery cartridge firmly may cause them to slip off your hands and result in damage to the tool and battery cartridge and a personal injury.

► Fig.1: 1. Red indicator 2. Button 3. Battery cartridge

To remove the battery cartridge, slide it from the tool while sliding the button on the front of the cartridge.

To install the battery cartridge, align the tongue on the battery cartridge with the groove in the housing and slip it into place. Insert it all the way until it locks in place with a little click. If you can see the red indicator on the upper side of the button, it is not locked completely.

CAUTION: Always install the battery cartridge fully until the red indicator cannot be seen. If not, it may accidentally fall out of the tool, causing injury to you or someone around you.

CAUTION: Do not install the battery cartridge forcibly. If the cartridge does not slide in easily, it is not being inserted correctly.

Indicating the remaining battery capacity

Only for battery cartridges with the indicator

► Fig.2: 1. Indicator lamps 2. Check button

Press the check button on the battery cartridge to indicate the remaining battery capacity. The indicator lamps light up for a few seconds.

Indicator lamps			Remaining capacity
Lighted	Off	Blinking	
■	□	▧	75% to 100%
■ ■ ■ ■			
■ ■ ■	□		50% to 75%
■ ■	□ □		25% to 50%
■	□ □ □		0% to 25%
▧	□ □ □		Charge the battery.
■ ■ □ □			The battery may have malfunctioned.
□ □ ■ ■			

NOTE: Depending on the conditions of use and the ambient temperature, the indication may differ slightly from the actual capacity.

Tool / battery protection system

The tool is equipped with a tool/battery protection system. This system automatically cuts off power to the motor to extend tool and battery life. The tool will automatically stop during operation if the tool or battery is placed under one of the following conditions:

Overload protection

When the battery is operated in a manner that causes it to draw an abnormally high current, the tool automatically stops without any indication. In this situation, turn the tool off and stop the application that caused the tool to become overloaded. Then turn the tool on to restart.

Overheat protection

When the tool or battery is overheated, the tool stops automatically and the lamp blinks. In this case, let the tool and battery cool before turning the tool on again.

Overdischarge protection

When the battery capacity is not enough, the tool stops automatically. In this case, remove the battery from the tool and charge the battery.

Switch action

WARNING: Before installing the battery cartridge into the tool, always check to see that the switch trigger actuates properly and returns to the "OFF" position when released.

► Fig.3: 1. Switch trigger

To start the tool, simply pull the switch trigger. When you release the switch trigger, the tool stops and the returns to the initial position.

The tool may not in the initial position in the following cases. Return the tool to the initial position by pulling and releasing the switch trigger before operating the tool.

- When using the tool for the first time.
- After replacing the battery cartridge.
- When the tool stops because of the overload.
- After performing the maintenance.

Lighting up the front lamp

► Fig.4: 1. Lamp

CAUTION: Do not look in the light or see the source of light directly.

Pull the switch trigger to light up the lamp. The lamp keeps on lighting while the switch trigger is being pulled. The lamp goes out approximately 10 seconds after releasing the switch trigger.

NOTE: Use a dry cloth to wipe the dirt off the lens of the lamp. Be careful not to scratch the lens of lamp, or it may lower the illumination.

ASSEMBLY

CAUTION: Always be sure that the tool is switched off and the battery cartridge is removed before carrying out any work on the tool.

Installing or removing the head assembly

To remove the head assembly, follow the steps below.

1. Loosen the nut of the head, and then remove the head.

► **Fig.5:** 1. Nut 2. Head

2. Loosen the nose piece with a wrench while holding the head with another wrench.

► **Fig.6:** 1. Nose piece 2. Head

3. Loosen the jaw case with a wrench while holding the joint with another wrench.

► **Fig.7:** 1. Jaw case 2. Joint

4. Remove the jaw pusher, spring, and pipe.

► **Fig.8:** 1. Jaw pusher 2. Spring 3. Pipe

NOTICE: When installing the jaw pusher, be sure to attach the spring to the jaw pusher.

To install the head assembly, perform the removal procedure in reverse. Be sure to tighten the jaw case and nose piece with two wrenches firmly.

Hook

CAUTION: Always remove the battery when hanging the tool with the hook.

CAUTION: Never hook the tool at high location or on potentially unstable surface.

CAUTION: When hanging the tool with the hook, hang it carefully. Otherwise, the tool may drop and cause an injury.

► **Fig.9:** 1. Groove 2. Hook 3. Screw

The hook is convenient for temporarily hanging the tool. This can be installed on either side of the tool.

To install the hook, insert it into a groove in the tool housing on either side and then secure it with a screw. To remove, loosen the screw and then take it out.

Installing or removing the mandrel container

NOTICE: Be sure to install the mandrel container to the tool before operating the tool. If the mandrel container is not installed to the tool, the tool will not operate.

To remove the mandrel container, rotate it counter clockwise. To install the mandrel container, rotate it clockwise.

► **Fig.10:** 1. Mandrel container

OPERATION

CAUTION: Keep your hand or face away from the front part of the tool. The rivet or broken off mandrel may accidentally ejected, and you may be injured.

Installing a blind rivet

CAUTION: Before the mandrel container becomes full, empty it regularly by removing the mandrel container. Otherwise, the tool may be damaged, and the damaged parts may cause an injury.

CAUTION: When inserting a blind rivet into the nose piece, be sure to switch off the tool. Otherwise, you may be injured with the tool tip.

CAUTION: Do not leave a blind rivet in the nose piece. If the tool is switched on accidentally, the blind rivet is ejected and may cause an injury.

NOTICE: After installing a blind rivet, be sure to eject the broken off mandrel into the mandrel container by tilting the tool backward before installing next blind rivet. If the end of the broken off mandrel sticks out from the nose piece, switch off the tool and remove the mandrel. Otherwise, the broken off mandrels may become clogged and cause a malfunction of the tool.

1. Insert the blind rivet into the nose piece.

► **Fig.11:** 1. Blind rivet 2. Nose piece

2. Press the tool tip against the workpiece, and then pull the switch trigger. After the mandrel is broken off, release the switch trigger.

► **Fig.12**

Before the mandrel container becomes full, empty it regularly by removing the mandrel container.

Available blind rivets

NOTICE: Using nose piece, jaw, jaw pusher, or pipe that does not match the mandrel diameter may cause poor fastening, clogging of the mandrel, or malfunction of the tool.

Refer to the table below for the combination of rivet, nose piece, jaw, jaw pusher, and pipe.

NOTE: Some items in the table may be included in the tool package as standard accessories and some items in the table are provided as optional accessories. They may differ from country to country.

For DRV150

Rivet		Nose piece		Mark on jaw	Jaw pusher		Pipe	
Size	Diameter of mandrel	Mark on nose piece	Hole diameter		Hole diameter	Color	Hole diameter	Color
ø2.4 mm (3/32")	ø1.4 - 1.6 mm	2.4	ø1.9 mm	4.8	ø1.9 mm	Gray	ø2.2 mm	Silver
ø3.2 mm (1/8")	ø1.8 - 2.1 mm	3.2	ø2.4 mm	4.8	ø2.5 mm	Black	ø2.6 mm	Black
ø4.0 mm (5/32")	ø2.2 - 2.6 mm	4.0	ø3.0 mm	4.8	ø3.1 mm	Gray	None *	–
ø4.8 mm (3/16")	ø2.6 - 3.2 mm	4.8	ø3.6 mm	4.8	ø3.6 mm	Black	None *	–

*. Pipe is not necessary for operation.

For DRV250

Rivet		Nose piece		Mark on jaw	Jaw pusher		Pipe	
Size	Diameter of mandrel	Mark on nose piece	Hole diameter		Hole diameter	Color	Hole diameter	Color
ø2.4 mm (3/32")	ø1.4 - 1.6 mm	2.4	ø1.9 mm	4.8	ø1.9 mm	Gray	ø2.2 mm	Silver
ø3.2 mm (1/8")	ø1.8 - 2.1 mm	3.2	ø2.4 mm	4.8	ø2.5 mm	Black	ø2.6 mm	Black
ø4.0 mm (5/32")	ø2.2 - 2.6 mm	4.0	ø3.0 mm	4.8	ø3.1 mm	Gray	ø3.4 mm	Silver
ø4.8 mm (3/16")	ø2.6 - 3.2 mm	4.8	ø3.6 mm	4.8 or 6.4	ø3.6 mm	Black	ø4.1 mm	Black
ø6.0 mm (1/4") *	ø3.1 - 3.5 mm	6.0	ø4.0 mm	6.4	ø4.0 mm	Gray	ø4.1 mm	Black
ø6.4 mm (1/4") *	ø3.5 - 3.9 mm	6.4	ø4.4 mm	6.4	ø4.6 mm	Black	ø4.5 mm	Silver

*. Stainless steel rivet is not available.

MAINTENANCE

CAUTION: Always be sure that the tool is switched off and the battery cartridge is removed before attempting to perform inspection or maintenance.

NOTICE: Never use gasoline, benzine, thinner, alcohol or the like. Discoloration, deformation or cracks may result.

To maintain product SAFETY and RELIABILITY, repairs, any other maintenance or adjustment should be performed by Makita Authorized or Factory Service Centers, always using Makita replacement parts.

Cleaning the jaws and jaw case

Interval of cleaning: Every 3,000 installations of rivet
If the dust is accumulated, it deteriorates the movement of jaws and may accelerate wear of jaws and jaw case. To clean the jaws and jaw case, follow the steps below.

1. Remove the jaw case. For the removal procedure, refer to the removal instructions for the head assembly.
2. Remove the jaws from the jaw case.
► **Fig.13:** 1. Jaw case 2. Jaw
3. Clean the jaws and jaw case with a brush. Remove metal powder clogged between the teeth of the jaws.
4. Apply molybdenum disulfide based grease evenly to the inner periphery of the jaw case.
► **Fig.14:** 1. Area to apply grease 2. Jaw case

5. Install the jaws to the jaw case.

► **Fig.15:** 1. Jaw 2. Jaw case

NOTICE: When installing the jaws, be sure to align the tips of jaws.

6. Install the jaw case. If the grease is adhered to the tips of the jaws, wipe off the grease with a dry cloth.

► **Fig.16:** 1. Area where grease should not be adhered 2. Jaw

7. Install the head assembly.

8. Wipe off the grease from the jaws.

Insert a rivet into the nose piece, then move it up and down, and left and right, then remove it from the nose piece, and then wipe the grease from the rivet with a dry cloth. Repeat the same procedure twice or 3 times.

NOTICE: If the grease is adhered to the tip or inside of the jaw, the jaws may slip during operation.

Replacing the jaws in the jaw case

If the jaws in the jaw case are worn out, replace them with new ones. To replace the jaws, follow the same procedure for cleaning the jaws and jaw case. When installing jaws to the jaw case, install new jaws.

Removing jammed rivet

If the rivet is jammed inside the tool, remove it using a tool such as pin. If it is difficult to remove the jammed rivet, replace the jaw pusher or pipe with a new one. For replacement procedure, refer to the instruction for installing or removing the head assembly.

OPTIONAL ACCESSORIES

⚠ CAUTION: These accessories or attachments are recommended for use with your Makita tool specified in this manual. The use of any other accessories or attachments might present a risk of injury to persons. Only use accessory or attachment for its stated purpose.

If you need any assistance for more details regarding these accessories, ask your local Makita Service Center.

- Nose piece
- Jaw pusher
- Jaw
- Pipe
- Grease
- Makita genuine battery and charger

NOTE: Some items in the list may be included in the tool package as standard accessories. They may differ from country to country.

SPECIFIKATIONER

Modell:	DRV150	DRV250
Dragkraft	10 kN	20 kN
Slag	25 mm	30 mm
Total längd	313 mm	323 mm
Märkspänning	18 V likström	
Nettovikt	1,9 - 2,2 kg	2,1 - 2,4 kg

- På grund av vårt pågående program för forskning och utveckling kan dessa specifikationer ändras utan föregående meddelande.
- Specifikationer kan variera mellan olika länder.
- Vikten kan variera beroende på tillbehören, inklusive batterikassett. Den lättaste och den tyngsta kombinationen enligt EPTA-procedur 01/2014 visas i tabellen.

Tillgänglig batterikassett och laddare

Batterikassett	BL1815N / BL1820 / BL1820B / BL1830 / BL1830B / BL1840 / BL1840B / BL1850 / BL1850B / BL1860B
Laddare	DC18RC / DC18RD / DC18RE / DC18SD / DC18SE / DC18SF / DC18SH

- Vissa av batterikassetterna och laddarna på listan ovan kanske inte finns tillgängliga i din region.

⚠ VARNING: Använd endast batterikassetter och laddare från listan ovan. Användning av andra batterikassetter och laddare kan orsaka personskada och/eller brand.

Avsedd användning

Maskinen är avsedd för montering av popnitar.

Buller

Den normala bullernivån för A-belastning är bestämd enligt EN62841-1:

Model DRV150

Ljudtrycksnivå (L_{pA}): 75 dB (A)

Måttolerans (K): 3 dB (A)

Model DRV250

Ljudtrycksnivå (L_{pA}): 74 dB (A)

Måttolerans (K): 3 dB (A)

Bullernivån vid arbete kan överstiga 80 dB (A).

OBS: Det deklarerade bullervärdet har uppmätts i enlighet med standardtestmetoden och kan användas för jämförandet av en maskin med en annan.

OBS: Det deklarerade bulleremissionsvärdet kan också användas i en preliminär bedömning av exponering för vibration.

⚠ VARNING: Använd hörselskydd.

⚠ VARNING: Bulleremissionen under faktisk användning av maskinen kan skilja sig från det deklarerade värdet, beroende på hur maskinen används och särskilt vilken typ av arbetsstycke som behandlas.

⚠ VARNING: Var noga med att identifiera säkerhetsåtgärder för att skydda användaren, vilka är grundade på en uppskattning av graden av exponering för vibrationer under de faktiska användningsförhållandena, (ta, förutom avtryckartiden, med alla delar av användarcykeln i beräkningen, som till exempel tiden då maskinen är avstängd och när den går på tomgång).

Vibration

Det totala vibrationsvärdet (treaxlad vektorsumma) bestämt enligt EN62841-1:

Model DRV150

Arbetsläge: Popnitning

Vibrationsemission (a_{hv}): 2,5 m/s² eller lägre

Måttolerans (K): 1,5 m/s²

Model DRV250

Arbetsläge: Popnitning

Vibrationsemission (a_{hv}): 2,5 m/s² eller lägre

Måttolerans (K): 1,5 m/s²

OBS: Det deklarerade totala vibrationsvärdet har uppmätts i enlighet med standardtestmetoden och kan användas för jämförandet av en maskin med en annan.

OBS: Det deklarerade totala vibrationsvärdet kan också användas i en preliminär bedömning av exponering för vibration.

⚠ VARNING: Vibrationsemissionen under faktisk användning av maskinen kan skilja sig från det deklarerade värdet, beroende på hur maskinen används och särskilt vilken typ av arbetsstycke som behandlas.

⚠ VARNING: Var noga med att identifiera säkerhetsåtgärder för att skydda användaren, vilka är grundade på en uppskattning av graden av exponering för vibrationer under de faktiska användningsförhållandena, (ta, förutom avtryckartiden, med alla delar av användarcykeln i beräkningen, som till exempel tiden då maskinen är avstängd och när den går på tomgång).

EG-försäkran om överensstämmelse

Gäller endast inom EU

EG-försäkran om överensstämmelse inkluderas som bilaga A till denna bruksanvisning.

SÄKERHETSVARNINGAR

Allmänna säkerhetsvarningar för maskiner

⚠ VARNING: Läs alla säkerhetsvarningar, anvisningar, illustrationer och specifikationer som medföljer det här maskinen. Underlåtenhet att följa instruktionerna kan leda till elstötar, brand och/eller allvarliga personskador.

Spara alla varningar och instruktioner för framtida referens.

Termen "maskin" som anges i varningarna hänvisar till din eldrivna maskin (sladdansluten) eller batteridrivna maskin (sladdlös).

Säkerhetsvarningar för batteridrivnen nitpistol

1. Håll verktyget i ett fast grepp.
2. Håll händerna borta från rörliga delar.
3. Se till att alltid ha ordentligt fotfäste. Se till att ingen står under dig när verktyget används på hög höjd.
4. Var försiktig så att du inte tappar den avbrutna splinten från höga platser. Att göra det kan det orsaka en olycka eller personskador.
5. Sprid inte ut trasiga splintar på golvet. Du kan skada dig på de vassa kanterna på splinten eller halka på den.
6. Peka inte verktyget mot en person eller dig själv när du använder det. Nitet eller splinten kan kastas ut oavsiktligt och du kan skadas.

Viktiga säkerhetsanvisningar för batterikassetten

1. Innan batterikassetten används ska alla instruktioner och varningsmärken på (1) batteriladdaren, (2) batteriet och (3) produkten läsas.
2. Montera inte isär batterikassetten.
3. Om drifttiden blivit avsevärt kortare ska användningen avbrytas omedelbart. Det kan uppstå överhettning, brännskador och t o m en explosion.

4. Om du får elektrolyt i ögonen ska de sköljas med rent vatten och läkare uppsökas omedelbart. Det finns risk för att synen förloras.
5. Kortslut inte batterikassetten.
 - (1) Rör inte vid polerna med något strömförande material.
 - (2) Undvik att förvara batterikassetten tillsammans med andra metallobjekt som t.ex. spikar, mynt o.s.v.
 - (3) Skydda batteriet mot vatten och regn. En batterikortslutning kan orsaka ett stort strömflöde, överhettning, brand och maskinhavari.
6. Förvara inte maskinen och batterikassetten på platser där temperaturen kan nå eller överstiga 50 °C.
7. Bränn inte upp batterikassetten även om den är svårt skadad eller helt utsliten. Batterikassetten kan explodera i öppen eld.
8. Var försiktig så att du inte råkar tappa batteriet och utsätt det inte för stötar.
9. Använd inte ett skadat batteri.
10. De medföljande litiumjonbatterierna är föremål för kraven i gällande lagstiftning för farligt gods. För kommersiella transporter (av t.ex. tredje parter som speditiönsfirmor) måste de särskilda transportkrav som anges på emballaget och etiketter iakttas. För att förbereda den produkt som ska avsendas krävs att du konsulterar en expert på riskmaterial. Var också uppmärksam på att det i ditt land kan finnas ytterligare föreskrifter att följa. Tejpa över eller maskera blottade kontakter och packa batteriet på sådant sätt att det inte kan röra sig fritt i förpackningen.
11. När batterikassetten ska kasseras måste den tas bort från maskinen och kasseras på ett säkert sätt. Följ lokala föreskrifter beträffande avfallshandtering av batteriet.
12. Använd endast batterierna med de produkter som specificerats av Makita. Att använda batterierna med ej godkända produkter kan leda till brand, överdriven värme, explosion eller utläckande elektrolyt.
13. Om maskinen inte används under en lång tid måste batteriet tas bort från maskinen.

SPARA DESSA ANVISNINGAR.

⚠ FÖRSIKTIGT: Använda endast äkta Makita-batterier. Användning av oäkta Makita-batterier eller batterier som har manipulerats kan leda till person- och utrustningsskador eller till att batteriet fattar eld. Det upphäver också Makitas garanti för verktyget och laddaren.

Tips för att uppnå batteriets maximala livslängd

1. Ladda batterikassetten innan den är helt urladdad. Stanna alltid maskinen och ladda batterikassetten när du märker att maskinen blir svagare.
2. Ladda aldrig en fulladdad batterikassetten. Överladdning förkortar batteriets livslängd.
3. Ladda batterikassetten vid en rumstemperatur på 10 °C - 40 °C. Låt en varm batterikassetten svalna innan den laddas.
4. Ladda batterikassetten om du inte har använt den på länge (mer än sex månader).

FUNKTIONSBSKRIVNING

⚠ FÖRSIKTIGT: Se alltid till att maskinen är avstängd och batterikassetten borttagen innan du justerar maskinen eller kontrollerar dess funktioner.

Montera eller demontera batterikassetten

⚠ FÖRSIKTIGT: Stäng alltid av maskinen innan du monterar eller tar bort batterikassetten.

⚠ FÖRSIKTIGT: Håll stadigt i maskinen och batterikassetten när du monterar eller tar bort batterikassetten. I annat fall kan det leda till att de glider ur dina händer och orsakar skada på maskinen och batterikassetten samt personskada.

► **Fig.1:** 1. Röd indikator 2. Knapp 3. Batterikassett

Ta bort batterikassetten genom att skjuta ner knappen på kassetterns framsida samtidigt som du drar ut batterikassetten.

Sätt i batterikassetten genom att rikta in tungan på batterikassetten mot spåret i höljet och skjut den på plats. Tryck in batterikassetten ordentligt tills den låser fast med ett klick. Om du kan se den röda indikatorn på knappens ovansida är den inte läst ordentligt.

⚠ FÖRSIKTIGT: Sätt alltid i batterikassetten helt tills den röda indikatorn inte längre syns.

I annat fall kan den oväntat falla ur maskinen och skada dig eller någon annan.

















⚠ FÖRSIKTIGT: Montera inte batterikassetten med våld. Om kassetten inte lätt glider på plats är den felinsatt.

Indikerar kvarvarande batterikapacitet

Endast för batterikassetter med indikator

► **Fig.2:** 1. Indikatorlampor 2. Kontrollknapp

Tryck på kontrollknappen på batterikassetten för att se kvarvarande batterikapacitet. Indikatorlamporna lyser i ett par sekunder.

Indikatorlampor			Kvarvarande kapacitet
 Upplyst	 Av	 Blinkar	
			75% till 100%
			50% till 75%
			25% till 50%
			0% till 25%
			Ladda batteriet.
			Batteriet kan ha skadats.
			

OBS: Beroende på användningsförhållanden och den omgivande temperaturen kan indikationen skilja sig lätt från den faktiska batterikapaciteten.

Skyddssystem för maskinen/batteriet

Verktyget är utrustat med ett skyddssystem för verktyget/batteriet. Detta system bryter automatiskt strömmen till motorn för att förlänga verktygets och batteriets livslängd. Verktyget stoppar automatiskt under användningen om verktyget eller batteriet hamnar i en av följande situationer:

Överbelastningsskydd

Om batteriet används på ett sätt som gör att det drar onormalt mycket ström kan det stoppas automatiskt utan någon varning. När detta sker stänger du av verktyget och upphör med arbetet som gjorde att verktyget överbelastades. Starta därefter verktyget igen.

Överhettningsskydd

När verktyget eller batteriet överhettas stoppas det automatiskt och lampan börjar blinka. I sådant fall ska du låta verktyget och batteriet svalna innan du startar verktyget igen.

Överurladdningsskydd

När batterikapacitet är otillräcklig stoppar verktyget automatiskt. I sådant fall ska batteriet tas ur verktyget och laddas.

Avtryckarens funktion

⚠ VARNING: Innan du sätter i batterikassetten i maskinen ska du kontrollera att avtryckaren fungerar och återgår till läget "OFF" när du släpper den.

► **Fig.3:** 1. Avtryckare

Det är bara att trycka in avtryckaren när du vill starta verktyget. När du släpper avtryckaren stoppar verktyget och återgår till dess ursprungliga position.

Verktyget kanske inte går till ursprunglig position vid följande fall. För verktyget till ursprunglig position genom att aktivera och släppa avtryckaren innan du använder verktyget.

- När verktyget används för första gången.
- Efter byte av batterikassett.
- När verktyget stannar p.g.a. överbelastning.
- Efter underhåll.

Tända frontlampan

► **Fig.4:** 1. Lampan

⚠ FÖRSIKTIGT: Titta inte in i ljuset eller direkt i ljuskällan.

Tryck på avtryckaren för att tända lampan. Lampan fortsätter att lysa så länge du håller avtryckaren intryckt. Lampan slocknar ungefär 10 sekunder efter att du har släppt avtryckaren.

OBS: Använd en torr trasa för att torka bort smuts från lampglaset. Var försiktig så att inte lampglaset repas eftersom ljuset då kan bli svagare.

MONTERING

⚠ FÖRSIKTIGT: Se alltid till att maskinen är avstängd och batterikassetten borttagen innan du underhåller maskinen.

Montera eller demontera huvudenheten

Följ stegen nedan för att ta bort huvudenheten.

1. Loss huvudets mutter och ta bort huvudet.
▶ **Fig.5:** 1. Mutter 2. Huvud
2. Lossa munstycket med en skiftnyckel samtidigt som du håller huvudet med en annan skiftnyckel.
▶ **Fig.6:** 1. Munstycke 2. Huvud
3. Lossa käfthållaren med en skiftnyckel samtidigt som du håller kopplingen med en annan skiftnyckel.
▶ **Fig.7:** 1. Käfthållare 2. Koppling
4. Ta bort käftryckaren, fjädern och röret.
▶ **Fig.8:** 1. Käftryckare 2. Fjäder 3. Rör

OBSERVERA: Vid montering av käftryckaren måste man se till att fästa fjädern i käftryckaren.

Montera munstyckssatsen genom att utföra borttagningsproceduren i omvänd ordning. Se till att dra åt käfthållaren och munstycket ordentligt med två skiftnycklar.

ANVÄNDNING

⚠ FÖRSIKTIGT: Håll dina händer och ansikte borta från verktygets framsida. Niten eller splinten kan kastas ut oavsiktligt och du kan skadas.

Montera en popnit

⚠ FÖRSIKTIGT: Innan splintbehållaren blir full måste den tömmas regelbundet genom att ta bort splintbehållaren. Annars kan verktyget skadas, och de skadade delarna kan orsaka en skada.

⚠ FÖRSIKTIGT: Se till att stänga av verktyget när du sätter in en popnit i munstycket. Annars kan du och munstycket skadas.

⚠ FÖRSIKTIGT: Lämna inte en popnit i munstycket. Om verktyget aktiveras oavsiktligt kastas splinten ut och kan orsaka skada.

Krok

⚠ FÖRSIKTIGT: Ta alltid bort batteriet när du hänger upp maskinen med kroken.

⚠ FÖRSIKTIGT: Häng aldrig upp maskinen på hög höjd eller på platser som inte är helt stabila.

⚠ FÖRSIKTIGT: Häng upp verktyget försiktigt när du hänger det på kroken. Annars kan maskinen falla och orsaka skador.

- ▶ **Fig.9:** 1. Spår 2. Krok 3. Skruv

Haken kan användas när du vill hänga upp verktyget temporärt. Den kan monteras på båda sidorna av maskinen.

För att montera kroken sätter du i den i ett spår i maskinhuset på endera sida och drar fast den med en skruv. Ta bort kroken genom att skruva loss skruven.

Montera eller demontera splintbehållaren

OBSERVERA: Se till att montera splintbehållaren på verktyget innan du använder verktyget. Om splintbehållaren inte är monterad fungerar inte verktyget.

Vrid splintbehållaren moturs för att ta bort den. Vrid splintbehållaren medurs för att montera den.

- ▶ **Fig.10:** 1. Splintbehållare

OBSERVERA: Efter att ha satt in en popnit ska du se till att mata ut den avbrutna splinten i i splintbehållaren genom att luta verktyget bakåt innan nästa popnit sätts in. Om änden på den avbrutna splinten sticker ut från munstycket ska verktyget stängas av och splinten tas bort. I annat fall kan de avbrutna splintarna täppa till och orsaka funktionsfel på verktyget.

1. Sätt in en popnit i munstycket.

- ▶ **Fig.11:** 1. Popnit 2. Munstycke

2. Tryck verktygets spets mot arbetsstycket och tryck sedan in avtryckaren. Släpp avtryckaren när splinten brutits av.

- ▶ **Fig.12**

Innan splintbehållaren blir full måste den tömmas regelbundet genom att ta bort splintbehållaren.

Tillgängliga popnitar

OBSERVERA: Att använda ett munstycke, käft, käfttryckare eller rör som inte stämmer med splintdiametern kan leda till dålig fastsättning, igensättning av splinten eller fel hos verktyget.

Se kombination av popnit, munstycke, käft, käfttryckare och rör i tabellen nedan.

OBS: Vissa föremål i tabellen medföljer som standardtillbehör och vissa föremål på tabellen finns som valfria tillbehör. De kan variera mellan olika länder.

För DRV150

Nit		Munstycke		Märke på käften	Käfttryckare		Rör	
Storlek	Diameter på splinten	Märke på munstycke	Håldiameter		Håldiameter	Färg	Håldiameter	Färg
ø2,4 mm (3/32")	ø1,4 - 1,6 mm	2.4	ø1,9 mm	4.8	ø1,9 mm	Grå	ø2,2 mm	Silvrig
ø3,2 mm (1/8")	ø1,8 - 2,1 mm	3.2	ø2,4 mm	4.8	ø2,5 mm	Svart	ø2,6 mm	Svart
ø4,0 mm (5/32")	ø2,2 - 2,6 mm	4.0	ø3,0 mm	4.8	ø3,1 mm	Grå	Ingen *	–
ø4,8 mm (3/16")	ø2,6 - 3,2 mm	4.8	ø3,6 mm	4.8	ø3,6 mm	Svart	Ingen *	–

*. Rör behövs inte för körning.

För DRV250

Nit		Munstycke		Märke på käften	Käfttryckare		Rör	
Storlek	Diameter på splinten	Märke på munstycke	Håldiameter		Håldiameter	Färg	Håldiameter	Färg
ø2,4 mm (3/32")	ø1,4 - 1,6 mm	2.4	ø1,9 mm	4.8	ø1,9 mm	Grå	ø2,2 mm	Silvrig
ø3,2 mm (1/8")	ø1,8 - 2,1 mm	3.2	ø2,4 mm	4.8	ø2,5 mm	Svart	ø2,6 mm	Svart
ø4,0 mm (5/32")	ø2,2 - 2,6 mm	4.0	ø3,0 mm	4.8	ø3,1 mm	Grå	ø3,4 mm	Silvrig
ø4,8 mm (3/16")	ø2,6 - 3,2 mm	4.8	ø3,6 mm	4.8 eller 6.4	ø3,6 mm	Svart	ø4,1 mm	Svart
ø6,0 mm (1/4") *	ø3,1 - 3,5 mm	6.0	ø4,0 mm	6.4	ø4,0 mm	Grå	ø4,1 mm	Svart
ø6,4 mm (1/4") *	ø3,5 - 3,9 mm	6.4	ø4,4 mm	6.4	ø4,6 mm	Svart	ø4,5 mm	Silvrig

*. Splintar av rostfritt stål är inte tillgängliga.

UNDERHÅLL

⚠ FÖRSIKTIGT: Se alltid till att maskinen är avstängd och batterikassetten borttagen innan inspektion eller underhåll utförs.

OBSERVERA: Använd inte bensin, förtunningsmedel, alkohol eller liknande. Missfärgning, deformation eller sprickor kan uppstå.

För att upprätthålla produktens SÄKERHET och TILLFÖRLITLIGHET bör allt underhålls- och justeringsarbete utföras av ett auktoriserat Makita servicecenter och med reservdelar från Makita.

Rengöring av käftarna och käfthållaren

Rengöringsintervall: Var 3 000 nitinstallation

Om det ansamlas damm försämrar det käftarnas rörelse och kan påskynda slitage på käftarna och käfthållaren. Följ stegen nedan för att rengöra käftarna och käfthållaren.

1. Ta bort käfthållaren. Se borttagningsinstruktionerna för munstyckssatsen för borttagningsproceduren.
2. Ta bort käftarna från käfthållaren.
► **Fig.13:** 1. Käfthållare 2. Käft
3. Rengör käftarna och käfthållaren med en borste. Ta bort metallpulver som fastnat mellan käftens tänder.
4. Lägg på molybdenisulfidbaserat fett jämnt på käfthållarens innerkant.
► **Fig.14:** 1. Område att lägga fett på 2. Käfthållare

5. Installera käftarna i käfthållaren.

► **Fig.15:** 1. Käft 2. Käfthållare

OBSERVERA: Se till att rikta in käftarnas spetsar när käftarna installeras.

6. Installera käfthållaren. Om fett sitter kvar på käftarnas spetsar, torka av det med en torr trasa.

► **Fig.16:** 1. Område där fett inte bör sitta kvar 2. Käft

7. Installera huvudenheten.

8. Torka bort fett från käftarna.

Sätt in en nit i munstycket, för den sedan upp och ner, till vänster och höger, ta sedan bort den från munstycket och torka av fett från niten med en torr trasa. Upprepa samma procedur två eller tre gånger.

OBSERVERA: Om fett sitter kvar på spetsen eller inuti käften, kan käftarna glida under körning.

Byta ut käftar i käfthållaren

Om käftarna i käfthållaren är slitna ska de bytas ut mot nya. Byt ut käftarna genom att följa samma procedur för rengöring av käftarna och käfthållaren. När käftarna installeras i käfthållaren, installera då nya käftar.

Ta bort nitar som fastnat

Om niten har fastnat inne i verktyget ska den tas bort med exempelvis ett stift. Om det är svårt att ta bort en nit som har fastnat ska man byta ut käftryckaren eller röret mot en ny. För utbytesprocedur, se instruktion för att installera eller ta bort munstyckssatsen.

VALFRIA TILLBEHÖR

⚠ FÖRSIKTIGT: Följande tillbehör eller tillsatser rekommenderas för användning med den Makita-maskin som denna bruksanvisning avser.

Om andra tillbehör eller tillsatser används kan det uppstå risk för personskador. Använd endast tillbehören eller tillsatserna för de syften de är avsedda för.

Kontakta ditt lokala Makita servicecenter om du behöver ytterligare information om dessa tillbehör.

- Munstycke
- Käftryckare
- Käft
- Rör
- Fett
- Makitas originalbatteri och laddare

OBS: Några av tillbehören i listan kan vara inkluderade i maskinpaketet som standardtillbehör. De kan variera mellan olika länder.

TEKNISKE DATA

Modell:	DRV150	DRV250
Trekraft	10 kN	20 kN
Slaglengde	25 mm	30 mm
Total lengde	313 mm	323 mm
Nominell spenning	DC 18 V	
Nettovekt	1,9 - 2,2 kg	2,1 - 2,4 kg

- På grunn av vårt kontinuerlige forsknings- og utviklingsprogram kan spesifikasjonene som oppgis i dette dokumentet endres uten varsel.
- Spesifikasjonene kan variere fra land til land.
- Vekten kan variere avhengig av tilbehøret/tilbehørene, inkludert batteriet. Den letteste og tyngste kombinasjonen, i henhold til EPTA-prosedyre 01/2014, vises i tabellen.

Passende batteri og lader

Batteriinnsett	BL1815N / BL1820 / BL1820B / BL1830 / BL1830B / BL1840 / BL1840B / BL1850 / BL1850B / BL1860B
Lader	DC18RC / DC18RD / DC18RE / DC18SD / DC18SE / DC18SF / DC18SH

- Noen av batteriene og laderne som er opplistet ovenfor er kanskje ikke tilgjengelige, avhengig av hvor du bor.

⚠ ADVARSEL: Bruk kun de batteriene og laderne som er opplistet ovenfor. Bruk av andre batterier og ladere kan føre til personskader og/eller brann.

Riktig bruk

Verktøyet er ment brukt til å sette inn en blindnagle.

Støy

Typisk A-vektet lydtrykknivå er bestemt i henhold til EN62841-1:

Modell DRV150

Lydtrykknivå (L_{pA}): 75 dB (A)

Usikkerhet (K): 3 dB (A)

Modell DRV250

Lydtrykknivå (L_{pA}): 74 dB (A)

Usikkerhet (K): 3 dB (A)

Støynivået under arbeid kan overskride 80 dB (A).

MERK: Den/de oppgitte verdien(e) for genererte vibrasjoner har blitt målt i henhold til standard testmetoder, og kan bli brukt til å sammenligne ett verktøy med et annet.

MERK: Den/de angitte verdien(e) for de genererte vibrasjonene kan også brukes til en foreløpig vurdering av eksponeringen.

⚠ ADVARSEL: Bruk hørselsvern.

⚠ ADVARSEL: De genererte vibrasjonene ved faktisk bruk av elektroverktøyet kan avvike fra den/de angitte vibrasjonsverdien(e), avhengig av hvordan verktøyet brukes.

⚠ ADVARSEL: Sørg for å identifisere vernetiltak for å beskytte operatøren, som er basert på et estimat av eksponeringen under de faktiske bruksforholdene (idet det tas hensyn til alle deler av driftssyklusen, dvs. hvor lenge verktøyet er slått av, hvor lenge det går på tomgang og hvor lenge startbryteren faktisk holdes trykket).

Vibrasjoner

Den totale vibrasjonsverdien (triaksial vektorsum) bestemt i henhold EN62841-1:

Modell DRV150

Arbeidsmodus: Innsetting av en blindnagle
Genererte vibrasjoner (a_n): 2,5 m/s² eller mindre
Usikkerhet (K): 1,5 m/s²

Modell DRV250

Arbeidsmodus: Innsetting av en blindnagle
Genererte vibrasjoner (a_n): 2,5 m/s² eller mindre
Usikkerhet (K): 1,5 m/s²

MERK: Den/de oppgitte verdien(e) for totalt genererte vibrasjoner har blitt målt i henhold til standard testmetoder, og kan bli brukt til å sammenligne ett verktøy med et annet.

MERK: Den/de angitte verdien(e) for totalt genererte vibrasjoner kan også brukes til en foreløpig vurdering av eksponeringen.

⚠ ADVARSEL: De genererte vibrasjonene ved faktisk bruk av elektroverktøyet kan avvike fra den/de angitte vibrasjonsverdien(e), avhengig av hvordan verktøyet brukes og spesielt i forhold til arbeidsstykket som blir behandlet.

⚠ ADVARSEL: Sørg for å identifisere vernetiltak for å beskytte operatøren, som er basert på et estimat av eksponeringen under de faktiske bruksforholdene (idet det tas hensyn til alle deler av driftssyklusen, dvs. hvor lenge verktøyet er slått av, hvor lenge det går på tomgang og hvor lenge startbryteren faktisk holdes trykket).

EFs samsvarserklæring

Gjelder kun for land i Europa

EFs samsvarserklæring er lagt til som vedlegg A i denne bruksanvisningen.

SIKKERHETSADVARSEL

Generelle advarsler angående sikkerhet for elektroverktøy

⚠ADVARSEL: Les alle sikkerhetsadvarsler, instruksjoner, illustrasjoner og spesifikasjoner som følger med dette elektroverktøyet. Hvis ikke alle instruksjonene nedenfor følges, kan det forekomme elektrisk støt, brann og/eller alvorlig skade.

Oppbevar alle advarsler og instruksjoner for senere bruk.

Uttrykket «elektrisk verktøy» i advarslene refererer både til elektriske verktøy (med ledning) tilkoblet strømmenettet, og batteridrevne verktøy (uten ledning).

Sikkerhetsadvarsler for batteridreven naglepistol

1. Hold godt tak i verktøyet.
2. Hold hendene unna bevegelige deler.
3. Pass på at du alltid har godt fotfeste. Forviss deg om at ingen står under deg når du jobber høyt over bakken.
4. Vær forsiktig så du ikke mister den avbrukne spindelen fra store høyder. Hvis du gjør det, kan det føre til en ulykke eller personskaade.
5. Ikke la de avbrukne spindlene ligge spredd på gulvet. Du kan bli skadet av den skarpe enden av den brukte spindelen eller av at du glir på spindelen.
6. Ikke rett verktøyet mot personer i nærheten eller mot deg selv mens det er i bruk. Naglen eller en avbrukt spindel kan støtes ut ved et uhell, og du kan bli skadet.

Viktige sikkerhetsanvisninger for batteriinnstas

1. Før du begynner å bruke batteriet, må du lese alle anvisninger og forsiktighetsregler på (1) batteriladeren, (2) batteriet og (3) det produktet batteriet skal brukes i.
2. Ikke ta fra hverandre batteriet.
3. Hvis driftstiden er blitt vesentlig kortere, må du omgående slutte å bruke maskinen. Hvis ikke kan resultatet bli overoppheting, mulige forbrenninger eller til og med en eksplosjon.
4. Hvis du får elektrolytt i øynene, må du skylle dem med store mengder rennende vann og oppsøke lege med én gang. Denne typen uhell kan føre til varig blindhet.

5. Ikke kortslutt batteriet:
 - (1) De kan være ekstremt varme og du kan brenne deg.
 - (2) Ikke lagre batteriet i samme beholder som andre metallgjenstander, som for eksempel spiker, mynter osv.
 - (3) Ikke la batteriet komme i kontakt med vann eller regn.En kortslutning av batteriet kan føre til et kraftig strømstøt, overoppheting, mulige forbrenninger og til og med til at batteriet går i stykker.
6. Ikke lagre maskinen og batteriet på steder hvor temperaturen kan komme opp i eller overskride 50 °C.
7. Ikke sett fyr på batteriet, ikke engang om det er sterkt skadet eller helt utslitt. Batteriet kan eksplodere hvis det begynner å brenne.
8. Vær forsiktig så du ikke mister batteriet eller utsetter det for slag.
9. Ikke bruk batterier som er skadet.
10. Lithium-ion-batteriene som medfølger er gjenstand for krav om spesialavfall. For kommersiell transport, f.eks av tredjeparter eller speditorer, må spesielle krav om pakking og merking følges. Før varen blir sendt, må du forhøre deg med en ekspert på farlig materiale. Ta også hensyn til muligheten for mer detaljerte nasjonale bestemmelser. Bruk teip eller maskeringsteip for å skjule åpne kontakter og pakk inn batteriet på en slik måte at den ikke kan bevege seg rundt i emballasjen.
11. Når du kasserer batteriinnstasen, må du ta den ut av verktøyet og avhende den på et sikkert sted. Følg lokale bestemmelser for avhending av batterier.
12. Bruk batteriene kun med produkter spesifisert av Makita. Montere batteriene i produkter som ikke er konforme kan føre til brann, overheting eller elektrolyttlekkasje.
13. Hvis verktøyet ikke skal brukes over en lengre periode, må batteriet tas ut av verktøyet.

TA VARE PÅ DISSE INSTRUKSENE.

⚠FORSIKTIG: Bruk kun originale Makita-batterier. Bruk av batterier som har endret seg, eller som ikke er originale Makita-batterier, kan føre til at batteriet sprekker og forårsaker brann, personskaade og andre skader. Det vil også ugyldiggjøre garantien for Makita-verktøyet og -laderen.

Tips for å opprettholde maksimal batterilevetid

1. Lad batteriinnstasen før den er helt utladet. Stopp alltid driften av verktøyet og lad batteriinnstasen når du merker at effekten reduseres.
2. Lad aldri en batteriinnstas som er fulladet. Overopplading forkorter batteriets levetid.
3. Lad batteriet i romtemperatur ved 10 °C - 40 °C. Et varmt batteri må kjøles ned før lading.
4. Lad batteriet hvis det ikke har vært brukt på en lang stund (over seks måneder).

FUNKSJONSBSKRIVELSE

⚠FORSIKTIG: Forviss deg alltid om at maskinen er slått av og batteriet tatt ut før du justerer maskinen eller kontrollerer dens mekaniske funksjoner.

Sette inn eller ta ut batteri

⚠FORSIKTIG: Slå alltid av verktøyet før du setter inn eller fjerner batteriet.

⚠FORSIKTIG: Hold verktøyet og batteripatronen i et fast grep når du monterer eller fjerner batteripatronen. Hvis du ikke holder verktøyet og batteripatronen godt fast, kan du miste grepet, og dette kan føre til skader på verktøyet og batteripatronen samt personskader.

► Fig.1: 1. Rød indikator 2. Knapp 3. Batteriinnsetts

For å ta ut batteriet må du skyve på knappen foran på batteriet og trekke det ut.

Når du skal sette inn batteriet, må du plassere tungen på batteriet på linje med sporet i huset og skyve batteriet på plass. Skyv det helt inn til det går i inngrep med et lite klikk. Hvis du kan se den røde anviseren på oversiden av knappen, er det ikke fullstendig låst.

⚠FORSIKTIG: Batteriet må alltid settes helt inn, så langt at den røde anviseren ikke lenger er synlig. Hvis dette ikke gjøres, kan batteriet komme til å falle ut av maskinen og skade deg eller andre som oppholder seg i nærheten.

⚠FORSIKTIG: Ikke bruk makt når du setter i batteriet. Hvis batteriet ikke glir lett inn, er det fordi det ikke settes inn på riktig måte.

Indikere gjenværende batterikapasitet

Kun for batterier med indikatoren

► Fig.2: 1. Indikatorlamper 2. Kontrollknapp

Trykk på sjekk-knappen på batteriet for vise gjenværende batterikapasitet. Indikatorlampene lyser i et par sekunder.

Indikatorlamper			Gjenværende batterinivå
Tent	Av	Bliker	
			75 % til 100 %
			50 % til 75 %
			25 % til 50 %
			0 % til 25 %
			Lad batteriet.
			Batteriet kan ha en feil.

MERK: Det angitte nivået kan avvike noe fra den faktiske kapasiteten alt etter bruksforholdene og den omgivende temperaturen.

Batterivernsystem for verktøy/batteri

Verktøyet er utstyrt med et batterivernsystem for verktøy/batteri. Dette systemet kutter automatisk strømmen til motoren for å forlenge verktøyets og batteriets levetid. Verktøyet stopper automatisk under drift hvis verktøyet eller batteriet utsettes for en av følgende tilstander:

Overlastsikring

Når batteriet brukes på en måte som gjør at det bruker unormalt mye strøm, vil verktøyet stoppe, helt automatisk og uten forvarsel. I dette tilfellet må du slå av verktøyet og avslutte bruken som forårsaket at verktøyet ble overbelastet. Slå deretter verktøyet på for å starte det igjen.

Overopphetingsvern

Når verktøyet eller batteriet er overopphetet, stanser maskinen automatisk, og lampen blinker. I dette tilfellet, la verktøyet og batteriet avkjøles før du starter verktøyet på nytt.

Overutladingsvern

Når batterikapasiteten blir utilstrekkelig, stopper verktøyet automatisk. Da tar du ut batteriet fra verktøyet, og lader det.

Bryterfunksjon

⚠ADVARSEL: Før du setter batteriet inn i maskinen, må du alltid kontrollere at startbryteren aktiverer maskinen på riktig måte og går tilbake til «AV»-stilling når den slippes.

► Fig.3: 1. Startbryter

Dra i startbryteren for å starte verktøyet. Når du slipper startbryteren, stanser verktøyet og går tilbake til utgangsposisjonen.

Det er mulig at verktøyet ikke er i utgangsposisjonen i de følgende tilfellene. Sett verktøyet tilbake til utgangsstilling ved å trekke i, og slippe startbryteren før du bruker verktøyet.

- Når du bruker verktøyet for første gang.
- Etter utskifting av batteriinnsettsen.
- Når verktøyet stopper på grunn av overbelastning.
- Etter at vedlikehold er utført.

Tenne frontlampen

► Fig.4: 1. Lampe

⚠FORSIKTIG: Ikke se inn i lyset eller se direkte på lyskilden.

Trykk inn startbryteren for å tenne lampen. Lampen fortsetter å lyse så lenge startbryteren holdes inne. Lampen slukkes omtrent 10 sekunder etter at startbryteren er sluppet.

MERK: Bruk en tørr klut til å tørke støv osv. av lampelinsen. Vær forsiktig så det ikke blir riper i lampelinsen, da dette kan redusere lysstyrken.

MONTERING

⚠FORSIKTIG: Forviss deg alltid om at maskinen er slått av og batteriet tatt ut før du utfører noe arbeid på maskinen.

Påsetting eller avtaking av hodeenheten

For å ta av hodeenheten følger du trinnene nedenfor.

1. Løsne mutteren på hodet og ta så av hodet.
▶ **Fig.5:** 1. Mutter 2. Hode
2. Løsne nesestykket med en nøkkel mens du holder hodet med en annen nøkkel.
▶ **Fig.6:** 1. Nesesdel 2. Hode
3. Løsne kjevekassen med en nøkkel mens du holder leddet med en annen nøkkel.
▶ **Fig.7:** 1. Kjevekasse 2. Kobling
4. Fjern kjeveskyveren, fjæren og røret.
▶ **Fig.8:** 1. Kjeveskyver 2. Fjær 3. Rør

OBS: Når du monterer kjeveskyveren, pass på å feste fjæren til kjeveskyveren.

For å installere hodeenheten, følg fremgangsmåten for demontering i motsatt rekkefølge. Forviss deg om at du har strammet kjevekassen og nesestykket godt med to nøkler.

Krok

⚠FORSIKTIG: Ta alltid ut batteriet når verktøyet henges opp på kroken.

⚠FORSIKTIG: Verktøyet må aldri henges på kroken høyt over bakken eller på en potensielt ustabil overflate.

⚠FORSIKTIG: Når du henger opp verktøyet med kroken, heng det forsiktig. Ellers kan verktøyet falle ned og forårsake en personskaade.

▶ **Fig.9:** 1. Spor 2. Krok 3. Skru

Kroken er praktisk å henge verktøyet i over kortere tid. Den kan monteres på begge sider av verktøyet.

For å montere kroken, må du sette den inn i sporet på en av sidene av verktøyhuset og feste den med en skru. Ta den av igjen ved å løsne skruen.

Påsetting eller avtaking av spindelbeholderen

OBS: Husk å sette på spindelbeholderen før verktøyet brukes. Hvis spindelbeholderen ikke er satt på verktøyet, vil verktøyet ikke virke.

For å ta av spindelbeholderen, roter den mot klokken. For å installere spindelbeholderen, roter den med klokken.

▶ **Fig.10:** 1. Spindelbeholder

BRUK

⚠FORSIKTIG: Hold hendene eller ansiktet unna fremparten av verktøyet. Naglen eller en avbruttet spindel kan støtes ut ved et uhell, og du kan bli skadet.

Installere en blindnagle

⚠FORSIKTIG: Før spindelbeholderen blir full må den tømmes ved å ta av spindelbeholderen. Ellers kan verktøyet bli skadet og de skadde skadene kan forårsake en personskaade.

⚠FORSIKTIG: Når du setter inn en blindnagle i nesedelen må du først skru av verktøyet. Ellers kan du bli skadet av verktøyspissen.

⚠FORSIKTIG: Ikke etterlat en blindnagle i frontstykket. Hvis verktøyet skrues på ved et uhell, kan blindnaglen som støtes ut forårsake en personskaade.

OBS: Når du har satt inn en blindnagle, må du passe på å støte ut den avbrukne spindelen i spindelbeholderen ved å vippe verktøyet bakover før du setter inn den neste blindnaglen. Hvis enden er brukket av spindelen som stikker ut av frontstykket, skru av verktøyet og ta av spindelen. Ellers kan de avbrutte spindlene blokkere verktøyet og føre til at det ikke fungerer som det skal.

1. Sett inn blindnaglen i nesedelen.

▶ **Fig.11:** 1. Blindnagle 2. Nesesdel

2. Press verktøyspissen mot arbeidsstykket og dra deretter i startbryteren. Etter at spindelen er brukket av, slipper du startbryteren.

▶ **Fig.12**

Før spindelbeholderen blir full må den tømmes ved å ta av spindelbeholderen.

Tilgjengelige blindnagler

OBS: Bruk av nesedel, kjeve, kjeveskyver eller rør som ikke samsvarer med spindeldiameteren kan medføre dårlig feste, blokkering av spindelen eller at verktøyet ikke fungerer som det skal.

Se i tabellen nedenfor for å finne kombinasjonen av nagle, nesedel, kjeve og kjeveskyver.

MERK: Enkelte artikler på listen kan være inkludert som standardtilbehør i verktøypakken, mens andre artikler leveres som ekstrautstyr. Artiklene kan variere fra land til land.

For DRV150

Nagle		Frontstykke		Merke på kjeven	Kjeveskyver		Rør	
Størrelse	Spindelens diameter	Merke på frontstykke	Hulldiameter		Hulldiameter	Farge	Hulldiameter	Farge
ø2,4 mm (3/32")	ø1,4 - 1,6 mm	2.4	ø1,9 mm	4.8	ø1,9 mm	Grå	ø2,2 mm	Sølv
ø3,2 mm (1/8")	ø1,8 - 2,1 mm	3.2	ø2,4 mm	4.8	ø2,5 mm	Svart	ø2,6 mm	Svart
ø4,0 mm (5/32")	ø2,2 - 2,6 mm	4.0	ø3,0 mm	4.8	ø3,1 mm	Grå	Ingen *	–
ø4,8 mm (3/16")	ø2,6 - 3,2 mm	4.8	ø3,6 mm	4.8	ø3,6 mm	Svart	Ingen *	–

*. Rør er ikke nødvendig for bruk.

For DRV250

Nagle		Frontstykke		Merke på kjeven	Kjeveskyver		Rør	
Størrelse	Spindelens diameter	Merke på frontstykke	Hulldiameter		Hulldiameter	Farge	Hulldiameter	Farge
ø2,4 mm (3/32")	ø1,4 - 1,6 mm	2.4	ø1,9 mm	4.8	ø1,9 mm	Grå	ø2,2 mm	Sølv
ø3,2 mm (1/8")	ø1,8 - 2,1 mm	3.2	ø2,4 mm	4.8	ø2,5 mm	Svart	ø2,6 mm	Svart
ø4,0 mm (5/32")	ø2,2 - 2,6 mm	4.0	ø3,0 mm	4.8	ø3,1 mm	Grå	ø3,4 mm	Sølv
ø4,8 mm (3/16")	ø2,6 - 3,2 mm	4.8	ø3,6 mm	4.8 eller 6.4	ø3,6 mm	Svart	ø4,1 mm	Svart
ø6,0 mm (1/4") *	ø3,1 - 3,5 mm	6.0	ø4,0 mm	6.4	ø4,0 mm	Grå	ø4,1 mm	Svart
ø6,4 mm (1/4") *	ø3,5 - 3,9 mm	6.4	ø4,4 mm	6.4	ø4,6 mm	Svart	ø4,5 mm	Sølv

*. Rustfri stålernagle er ikke tilgjengelig.

VEDLIKEHOLD

⚠FORSIKTIG: Forviss deg alltid om at maskinen er slått av og batteriet tatt ut før du foretar inspeksjon eller vedlikehold.

OBS: Aldri bruk gasolin, bensin, tynner alkohol eller lignende. Det kan føre til misfarging, deformering eller sprekkdannelse.

For å opprettholde produktets SIKKERHET og PÅLITELIGHET, må reparasjoner, vedlikehold og justeringer utføres av autoriserte Makita servicesentre eller fabrikk-servicesentre, og det må alltid brukes reservedeler fra Makita.

Rengjøre kjevne og kjevekassen

Rengjøringsintervall: Hver 3 000. innsetting av nagle
Hvis det samler seg opp støv, forringes kjevnes bevegelse, og kjevne og kjevekassen kan bli raskere slitt. Rengjør kjevne og kjevekassen ved å følge trinnene nedenfor.

1. Ta av kjevekassen. For avtaking, se i instruksjonene for avtaking av hodeenheten.

2. Ta kjevne av kjevekassen.
► **Fig.13:** 1. Kjevekasse 2. Kjeve

3. Rengjør kjevne og kjevekassen med en børste. Fjern metallpulver som sitter fast mellom tennene og kjevne.

4. Påfør molybdenumsulfidbasert fett jevnt over kjevekassens innvendige periferi.

► **Fig.14:** 1. Område der det skal påføres fett
2. Kjevekasse

5. Monter kjevene i kjevекassen.

► **Fig.15:** 1. Kjeve 2. Kjevекasse

OBS: Når du monterer kjevene, må spissene på kjevene rettes inn.

6. Monter kjevекassen. Hvis fett et har festet seg på spissene på kjevene, tørker du fort fett et med en tørr klut.

► **Fig.16:** 1. Område der fett ikke skal sitte 2. Kjeve

7. Sett på hodeenheten.

8. Tørk fett et av kjevene.

Sett en nagle inn i frontstykk et, beveg den opp og ned, til venstre og høyre, og ta den deretter ut av frontstykk et. Tørk fett et av naglen med en tørr klut. Gjenta den samme prosedyren to eller tre ganger.

OBS: Hvis fett et har festet seg på spissen eller innsiden av kjev en, kan det hende at kjev ene glir under bruk.

Skifte ut kjev ene i kjevекassen

Hvis kjev ene i kjevекassen er utslitte, skift dem ut med nye. Når kjev ene skal skiftes ut, følges samme prosedyre som for rengjøring av kjev ene og kjevекassen. Når kjev er monteres i kjevекassen, skal det monteres nye kjev er.

Fjerne fastsittende nagle

Hvis det sitter fast en nagle inne i verktøyet, bruk et verktøy som f.eks. en splint. Hvis det er vanskelig å fjerne naglen som sitter fast, skift ut kjev eskyveren eller røret med nye. For utskiftning, se i instruksjonene for påsetting eller avtaking av hodeenheten.

VALGFRITT TILBEHØR

⚠FORSIKTIG: Det anbefales at du bruker dette tilbehøret eller verktøyet sammen med den Makita-maskinen som er spesifisert i denne håndboken. Bruk av annet tilbehør eller verktøy kan forårsake personskader. Tilbehør og verktøy må kun brukes til det formålet det er beregnet på.

Ta kontakt med ditt lokale Makita-servicesenter hvis du trenger mer informasjon om dette tilbehøret.

- Nesedel
- Kjev eskyver
- Kjeve
- Rør
- Smørefett
- Makita originalbatteri og lader

MERK: Enkelte elementer i listen kan være inkludert som standardtilbehør i verktøypakken. Elementene kan variere fra land til land.

TEKNISET TIEDOT

Malli:	DRV150	DRV250
Vetovoima	10 kN	20 kN
Isku	25 mm	30 mm
Kokonaispituus	313 mm	323 mm
Nimellisjännite	DC 18 V	
Nettopaino	1,9–2,2 kg	2,1–2,4 kg

- Jatkuvasta tutkimus- ja kehitystyöstämme johtuen esitetyt tekniset tiedot saattavat muuttua ilman erillistä ilmoitusta.
- Tekniset tiedot voivat vaihdella maittain.
- Paino voi olla erilainen lisävarusteista sekä akusta johtuen. EPTA-menettelytavan 01/2014 mukaisesti, taulukossa on kuvattu kevyin ja painavin laiteyhdistelmä.

Käytettävä akkupaketti ja laturi

Akkupaketti	BL1815N / BL1820 / BL1820B / BL1830 / BL1830B / BL1840 / BL1840B / BL1850 / BL1850B / BL1860B
Laturi	DC18RC / DC18RD / DC18RE / DC18SD / DC18SE / DC18SF / DC18SH

- Tiettyjä yläpuolella kuvattuja akkuja ja latureita ei ehkä ole saatavana asuinalueestasi johtuen.

VAROITUS: Käytä vain edellä eriteltyjä akkupaketteja ja latureita. Muiden akkupakettien ja laturien käyttäminen voi aiheuttaa loukkaantumisen ja/tai tulipalon.

Käyttötarkoitus

Laite on tarkoitettu vetoniittien niittämiseen.

Melutaso

Tyypillinen A-painotettu melutaso määräytyy standardin EN62841-1 mukaan:

Malli DRV150

Äänenpainetaso (L_{pA}): 75 dB (A)

Virhemarginaali (K): 3 dB (A)

Malli DRV250

Äänenpainetaso (L_{pA}): 74 dB (A)

Virhemarginaali (K): 3 dB (A)

Työskentelyn aikana melutaso voi ylittää 80 dB (A).

HUOMAA: Ilmoitettut melutasoarvot on mitattu standarditestausten mukaisesti ja niiden avulla voidaan vertailla työkaluja keskenään.

HUOMAA: Ilmoitettuja melutasoarvoja voidaan käyttää myös altistumisen alustavaan arviointiin.

VAROITUS: Käytä kuulosuojaimia.

VAROITUS: Sähkötyökalun käytön aikana mitattu melutasoarvo voi poiketa ilmoitetuista arvoista laitteen käyttötavan ja erityisesti käsiteltävän työkalupaleen mukaan.

VAROITUS: Selvitä käyttäjän suojaamiseksi tarvittavat varoimet todellisissa käyttöolosuhteissa tapahtuvan arvioidun altistumisen mukaisesti (ottaen huomioon käyttöjaksot kokonaisuuksissaan, myös jaksot, joiden aikana laite on sammutettuna tai käy tyhjäkäynnillä).

Tärinä

Kokonaistärinä (kolmen akselin vektorien summa) määräytyy standardin EN62841-1 mukaan:

Malli DRV150

Työtila: Vetoniitin niittaus

Tärinäpäästö (a_{h1}): 2,5 m/s² tai alhaisempi

Virhemarginaali (K): 1,5 m/s²

Malli DRV250

Työtila: Vetoniitin niittaus

Tärinäpäästö (a_{h1}): 2,5 m/s² tai alhaisempi

Virhemarginaali (K): 1,5 m/s²

HUOMAA: Ilmoitettut kokonaistärinäarvot on mitattu standarditestausten mukaisesti ja niiden avulla voidaan vertailla työkaluja keskenään.

HUOMAA: Ilmoitettuja kokonaistärinäarvoja voidaan käyttää myös altistumisen alustavaan arviointiin.

VAROITUS: Sähkötyökalun käytön aikana mitattu todellinen tärinäpäästöarvo voi poiketa ilmoitetuista arvoista laitteen käyttötavan ja erityisesti käsiteltävän työkalupaleen mukaan.

VAROITUS: Selvitä käyttäjän suojaamiseksi tarvittavat varoimet todellisissa käyttöolosuhteissa tapahtuvan arvioidun altistumisen mukaisesti (ottaen huomioon käyttöjaksot kokonaisuuksissaan, myös jaksot, joiden aikana laite on sammutettuna tai käy tyhjäkäynnillä).

EY-vaatimusten mukaisuusvakuutus

Koskee vain Euroopan maita

EY-vaatimusten mukaisuusvakuutus on liitetty tähän käyttöoppaaseen.

TURVAVAROITUKSET

Sähkötyökalujen käyttöä koskevat yleiset varoitukset

VAROITUS: Tutustu kaikkiin tämän sähkötyökalun mukana toimitettuihin varoituksiin, ohjeisiin, kuviin ja tekniisiin tietoihin. Seuraavassa lueteltujen ohjeiden noudattamatta jättäminen saattaa johtaa sähköiskuun, tulipaloon tai vakavaan vammautumiseen.

Säilytä varoitukset ja ohjeet tulevaa käyttöä varten.

Varoituksissa käytettävällä termillä ”sähkötyökalu” tarkoitetaan joko verkkovirtaa käyttävää (johdollista) työkalua tai akkukäyttöistä (johdotonta) työkalua.

Akkuniittipistoolia koskevat turvallisuusohjeet

1. Ota laitteesta luja ote.
2. Pidä kädet poissa liikkuvien osien luota.
3. Seiso aina tukevassa asennossa. Varmista korkealla työskennellessäsi, ettei ketään ole alapuolella.
4. Varo, ettei ammutun niitin tuurna pääse tipumaan korkealla työskennellessäsi. Muussa tapauksessa seurauksena voi onnettomuus ja vammoja.
5. Älä levitä katkenneita tuurnia lattialle. Katkenneiden tuurnien terävät reunat tai tuurnien liukastuminen voivat aiheuttaa vammoja.
6. Älä osoita työkalua muita henkilöitä tai itseäsi kohti, kun käytät työkalua. Työkalusta voi lauetta vahingossa niitti tai katkennut tuurna, mikä voi aiheuttaa vammoja.

Akkupakettia koskevia tärkeitä turvaohjeita

1. Ennen akun käyttöönottoa tutustu kaikkiin laturissa (1), akussa (2) ja akkukäyttöisessä tuotteessa (3) oleviin varoitusteksteihin.
2. Älä pura akku.
3. Jos akun toiminta-aika lyhenee merkittävästi, lopeta akun käyttö. Seurauksena voi olla ylikuumeneminen, palovammoja tai jopa räjähdys.
4. Jos akkunestettä pääsee silmiin, huuhtele puhtaalla vedellä ja hakeudu välittömästi lääkäriin hoitoon. Akkuneste voi aiheuttaa näön menetyksen.

5. Älä oikosulje akku.
 - (1) Älä koske akun napoihin millään sähköä johtavalla materiaalilla.
 - (2) Vältä akun oikosulkemista äläkä säilytä akku yhdessä muiden metalliesineiden, kuten naulojen, kolikoiden ja niin edelleen kanssa.
 - (3) Älä aseta akku alttiiksi vedelle tai sateelle.Oikosulku voi aiheuttaa virtapiikin, ylikuumentumista, palovammoja tai laitteen rikkoutumisen.
6. Älä säilytä työkalua ja akku paikassa, jossa lämpötila voi nousta 50 °C:een tai sitäkin korkeammaksi.
7. Älä hävitä akku polttamalla, vaikka se olisi pahoin vaurioitunut tai täysin loppuun kulunut. Avotuli voi aiheuttaa akun räjähtämisen.
8. Varo kolhimasta tai pudottamasta akku.
9. Älä käytä viallista akku.
10. Sisältyviä litium-ioni-akkuja koskevat vaarallisten aineiden lainsäädännön vaatimukset. Esimerkiksi kolmansien osapuolten huolintaliikkeiden tulee kaupallisissa kuljetuksissa noudattaa pakkaamista ja merkintöjä koskevia erityisvaatimuksia. Lähetettävän tuotteen valmistelu edellyttää vaarallisten aineiden asiantuntijan neuvontaa. Huomioi myös mahdollisesti yksityiskohtaisemmat kansalliset määräykset
Akun avoimet liittimet tulee suojata teipillä tai suojuksella ja pakkaaminen tulee tehdä niin, ettei akku voi liikkua pakkauksessa.
11. Kun akkupaketti on hävitettävä, poista se laitteesta ja hävitä se turvallisesti. Hävitä akku paikallisten määräysten mukaisesti.
12. Käytä akkuja vain Makitan ilmoittamien tuotteiden kanssa. Akkujen asentaminen yhteensopimattomiin tuotteisiin voi aiheuttaa tulipalon, liiallisen ylikuumenemisen, räjähdyksen tai akkunestevuotoja.
13. Jos laitetta ei käytetä pitkään aikaan, akku on poistettava laitteesta.

SÄILYÄ NÄMÄ OHJEET.

HUOMIO: Käytä vain alkuperäisiä Makita-akkuja. Muiden kuin aitojen Makita-akkujen, tai mahdollisesti muutettujen akkujen käyttö voi johtaa akun murtumiseen ja aiheuttaa tulipaloja, henkilö- ja omaisuusvahinkoja. Se mitätöi myös Makita-tökalun ja -laturin Makita-takuun.

Vihjeitä akun käyttöiän pidentämiseksi

1. Lataa akku ennen kuin se purkautuu täysin. Lopeta aina työkalun käyttö ja lataa akku, jos huomaat työkalun tehon vähenevän.
2. Älä koskaan lataa uudestaan täysin ladattua akku. Yililataaminen lyhentää akun käyttöikä.
3. Lataa akku huoneen lämpötilassa välillä 10 °C - 40 °C. Anna kuuman akun jäähtyä ennen lataamista.
4. Lataa akkupaketti, jos et käytä sitä pitkään aikaan (yli kuusi kuukautta).

TOIMINTOJEN KUVAUS

⚠️HUOMIO: Varmista aina ennen säätöjä ja tarkastuksia, että työkalu on sammutettu ja akkupaketti irrotettu.

Akun asentaminen tai irrottaminen

⚠️HUOMIO: Sammuta työkalu aina ennen akun kiinnittämistä tai irrottamista.

⚠️HUOMIO: Pidä työkalusta ja akusta tiukasti kiinni, kun irrotat tai kiinnität akkua. Jos akkupaketti tai työkalu putoaa, ne voivat vaurioitua tai aiheuttaa tapaturman.

- **Kuva1:** 1. Punainen merkkivalo 2. Painike 3. Akkupaketti

Irrota akku painamalla akun etupuolella olevaa painiketta ja vetämällä akku ulos työkalusta.

Akku liitetään sovittamalla akun kieleke rungon uraan ja työntämällä se sitten paikoilleen. Työnnä akku pohjaan asti niin, että kuulet sen napsahtavan paikoilleen. Jos painikkeen yläpuolella näkyy punainen ilmaisin, akku ei ole lukkiutunut täysin paikoilleen.

⚠️HUOMIO: Työnnä akku aina pohjaan asti, niin että punainen ilmaisin ei enää näy. Jos akku ei ole kunnolla paikallaan, se voi pudota työkalusta ja aiheuttaa vammoja joko sinulle tai sivullisille.










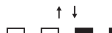
⚠️HUOMIO: Älä käytä voimaa akun asennuksessa. Jos akku ei liu'u paikalleen helposti, se on väärässä asennossa.

Akun jäljellä olevan varaustason ilmaisin

Vain akkupaketeille ilmaisimella

- **Kuva2:** 1. Merkkivalot 2. Tarkistuspainike

Painamalla tarkistuspainiketta saat näkyviin akun jäljellä olevan varausten. Merkkivalot palavat muutaman sekunnin ajan.

Merkkivalot			Akussa jäljellä olevan varaus
 Palaa	 Pois päältä	 Viikkuu	
			75% - 100%
			50% - 75%
			25% - 50%
			0% - 25%
			Lataa akku.
 ↑ ↓			Akussa on saattanut olla toimintahäiriö.
			

HUOMAA: Ilmoitettu varaustaso voi erota hieman todellisesta varaustasosta sen mukaan, millaisissa oloissa ja missä lämpötilassa laitetta käytetään.

Työkalun/akun suojausjärjestelmä

Työkalu on varustettu työkalu/akun suojausjärjestelmällä. Tämä järjestelmä pidentää työkalun ja akun käyttöikää katkaisemalla automaattisesti moottorin virran. Työkalu pysähtyy automaattisesti kesken käytön, jos työkalussa tai akussa ilmenee jokin seuraavista tilanteista:

Ylikuormitussuoja

Kun työkalua käytetään tavalla, mikä saa sen kuluttamaan epätavallisen suuren määrän virtaa, työkalu pysähtyy automaattisesti ilman mitään merkkivaloa tai ilmaisinta. Katkaise tässä tilanteessa työkalusta virta ja lopeta ylikuormitustilan aiheuttanut käyttö. Käynnistä sitten työkalu uudelleen kytkemällä siihen virta.

Ylikuumenemissuoja

Työkalun ylikuumentessa se pysähtyy automaattisesti ja lamppu alkaa vilkkua. Anna silloin työkalun/akun jäähtyä, ennen kuin kytket työkaluun uudelleen virran.

Ylipurkautumissuoja

Kun akun varaus on riittämätön, työkalu pysähtyy automaattisesti. Irrota tässä tapauksessa akku työkalusta ja lataa akku.

Kytkimen käyttäminen

⚠️VAROITUS: Tarkista aina ennen akkupaketin asettamista työkaluun, että liipaisinkytkin kytketty oikein ja palaa ”OFF”-asentoon, kun se vapautetaan.

- **Kuva3:** 1. Liipaisinkytkin

Käynnistä työkalu liipaisinkytkintä painamalla. Kun vapautat liipaisinkytkimen, työkalu pysähtyy ja palautuu aloitusasentoon.

Työkalu ei ehkä ole aloitusasennossa seuraavissa tilanteissa. Voit palauttaa sen aloitusasentoon painamalla liipaisinkytkintä ja vapauttamalla sen ennen työkalun käyttöä.

- Työkalua käytetään ensimmäisen kerran.
- Akkupaketin vaihtamisen jälkeen.
- Työkalu on pysähtynyt ylikuormituksen takia.
- Ylläpitotoimien tekemisen jälkeen.

Etulampun syyttäminen

- **Kuva4:** 1. Lamppu

⚠️HUOMIO: Älä katso suoraan lampun tai valonlähteeseen.

Lamppu syttyy, kun painat liipaisinkytkintä. Lamppu palaa niin kauan kuin liipaisinkytkintä painetaan. Lamppu sammuu noin 10 sekunnin kuluttua liipaisinkytkimen vapauttamisesta.

HUOMAA: Pyyhi lika pois linssistä kuivalla liinalla. Varo naarmuttamasta linssiä, ettei valoteho laske.

KOKOONPANO

⚠HUOMIO: Varmista aina ennen mitään työkalulle tehtäviä toimenpiteitä, että se on sammutettu ja akku irrotettu.

Kärkikappaleen asentaminen ja irrottaminen

Irrota kärkikappale toimimalla seuraavasti.

1. Löysää kärkiosan mutteria ja irrota sitten kärkiosa.
▶ **Kuva5:** 1. Mutteri 2. Kärkiosa
2. Löysää etukappaletta kiintoavaimella pitämällä kärkiosaa paikallaan toisella kiintoavaimella.
▶ **Kuva6:** 1. Etukappale 2. Kärkiosa
3. Löysää leukakappaletta kiintoavaimella pitämällä samalla liitoscappaletta paikallaan toisella jakoavaimella.
▶ **Kuva7:** 1. Leukakappale 2. Liitoscappale
4. Irrota leukatanko, jousi ja varsi.
▶ **Kuva8:** 1. Leukatanko 2. Jousi 3. Varsi

HUOMAUTUS: Kun asetat leukatangon takaisin paikalleen, varmista, että asetat jousen leukatankoon.

Kärkikappale asennetaan päinvastaisessa järjestyksessä. Varmista, että kiristät leukakappaleen ja etukappaleen tiukasti kahdella kiintoavaimella.

TYÖSKENTELY

⚠HUOMIO: Pidä kädet ja kasvat poissa työkalun etuosasta. Työkalusta voi laueta vahingossa niitti tai katkennut tuurna, mikä voi aiheuttaa vammoja.

Vetoniitin niittaus

⚠HUOMIO: Irrota ja tyhjennä tuurnasäiliö säännöllisesti ennen sen täyttymistä. Muutoin laite voi vaurioitua ja vaurioituneet osat voivat aiheuttaa vammoja.

⚠HUOMIO: Kun asetat vetoniitin etukappaleeseen, varmista, että laite on sammutettuna. Muutoin laitteen kärki voi aiheuttaa vammoja.

⚠HUOMIO: Älä jätä vetoniittiä etukappaleeseen. Jos työkalu käynnistyy vahingossa, vetoniitti laukeaa ja voi aiheuttaa vammoja.

Koukku

⚠HUOMIO: Poista akku aina, kun ripustat laitteen koukusta.

⚠HUOMIO: Älä koskaan ripusta laitetta korkeaan paikkaan tai epävakaaile alustalle.

⚠HUOMIO: Ripusta laite varovasti, kun käytät ripustuskoukkuja. Muutoin laite voi pudota ja aiheuttaa vammoja.

- ▶ **Kuva9:** 1. Ura 2. Koukku 3. Ruuvi

Työkalu voidaan kätevästi ripustaa väliaikaisesti koukuun. Tämä voidaan asentaa kummalle puolelle työkalua tahansa.

Asenna koukku työntämällä se työkalun rungon uraan jommallekummalle puolelle ja varmista kiinnitys ruuvilla. Voit irrottaa koukun löysäämällä ja irrottamalla ruuvin.

Tuurnasäiliön asentaminen ja irrottaminen

HUOMAUTUS: Varmista ennen laitteen käyttöä, että tuurnasäiliö on asetettu laitteeseen. Laite ei toimi, jos tuurnasäiliö ei ole paikallaan.

Tuurnasäiliö irrotetaan kääntämällä sitä vastapäivään. Tuurnasäiliö asennetaan paikalleen kääntämällä sitä myötäpäivään.

- ▶ **Kuva10:** 1. Tuurnasäiliö

HUOMAUTUS: Kun vetoniitti on kiinnitetty, varmista ennen seuraavan vetoniitin asettamista, että poistat katkenneen tuurnan tuurnasäiliöön kallistamalla työkalua taaksepäin. Jos katkenneen tuurnan pää jää kiinni etukappaleeseen, sammuta työkalu ja poista tuurna. Muutoin katkenneet tuurnat saattavat tukkia työkalun ja aiheuttaa toimintahäiriön.

1. Aseta vetoniitti etukappaleeseen.
▶ **Kuva11:** 1. Vetoniitti 2. Etukappale

2. Paina laitteen kärki työkappaletta vasten ja paina sitten liipaisinkytkintä. Kun tuurna katkeaa, vapauta liipaisinkytkin.

- ▶ **Kuva12**

Irrota ja tyhjennä tuurnasäiliö säännöllisesti ennen sen täyttymistä.

Yhteensopivat vetoniitit

HUOMAUTUS: Tuurnan halkaisijasta poikkeavan etukappaleen, leuan, leukatangon tai varren käyttäminen voi heikentää kiinnitystä, johtaa tuurnasäiliön tukkeutumiseen tai työkalun toimintahäiriöön.

Tarkista yhteensopivat niitin, etukappaleen, leuan, leukatangon ja varren yhdistelmät alla olevasta taulukosta.

HUOMAA: Osa taulukoissa mainituista tuotteista voidaan toimittaa tuotepakkauksen mukana vakioisävarusteina ja osa on saatavana valinnaisina lisävarusteina. Ne voivat vaihdella maittain.

DRV150

Niitti		Etukappale		Merkki leuassa	Leukatanko		Varsi	
Koko	Tuurnan halkaisija	Merkki etukappaleessa	Reiän halkaisija		Reiän halkaisija	Väri	Reiän halkaisija	Väri
ø2,4 mm (3/32")	ø1,4–1,6 mm	2.4	ø1,9 mm	4.8	ø1,9 mm	Harmaa	ø2,2 mm	Hopea
ø3,2 mm (1/8")	ø1,8–2,1 mm	3.2	ø2,4 mm	4.8	ø2,5 mm	Musta	ø2,6 mm	Musta
ø4,0 mm (5/32")	ø2,2–2,6 mm	4.0	ø3,0 mm	4.8	ø3,1 mm	Harmaa	Ei ole *	–
ø4,8 mm (3/16")	ø2,6–3,2 mm	4.8	ø3,6 mm	4.8	ø3,6 mm	Musta	Ei ole *	–

*. Vartta ei tarvita käytössä.

DRV250

Niitti		Etukappale		Merkki leuassa	Leukatanko		Varsi	
Koko	Tuurnan halkaisija	Merkki etukappaleessa	Reiän halkaisija		Reiän halkaisija	Väri	Reiän halkaisija	Väri
ø2,4 mm (3/32")	ø1,4–1,6 mm	2.4	ø1,9 mm	4.8	ø1,9 mm	Harmaa	ø2,2 mm	Hopea
ø3,2 mm (1/8")	ø1,8–2,1 mm	3.2	ø2,4 mm	4.8	ø2,5 mm	Musta	ø2,6 mm	Musta
ø4,0 mm (5/32")	ø2,2–2,6 mm	4.0	ø3,0 mm	4.8	ø3,1 mm	Harmaa	ø3,4 mm	Hopea
ø4,8 mm (3/16")	ø2,6–3,2 mm	4.8	ø3,6 mm	4.8 tai 6.4	ø3,6 mm	Musta	ø4,1 mm	Musta
ø6,0 mm (1/4") *	ø3,1–3,5 mm	6.0	ø4,0 mm	6.4	ø4,0 mm	Harmaa	ø4,1 mm	Musta
ø6,4 mm (1/4") *	ø3,5–3,9 mm	6.4	ø4,4 mm	6.4	ø4,6 mm	Musta	ø4,5 mm	Hopea

*. Ruostumattomia teräsniittejä ei ole saatavana.

KUNNOSSAPITO

⚠HUOMIO: Varmista aina ennen tarkastusta tai huoltoa, että työkalu on sammutettu ja akku irrotettu.

HUOMAUTUS: Älä koskaan käytä bensiiniä, ohenteita, alkoholia tai tms. aineita. Muutoin pinta voi halkeilla tai sen värit ja muoto voivat muuttua. Muutoin laitteeseen voi tulla värjäytymiä, muodon vääristymiä tai halkeamia.

Tuotteen TURVALLISUUDEN ja LUOTETTAVUUDEN takaamiseksi korjaukset, muut huoltotyöt ja säädöt on teetettävä Makitan valtuutetussa huoltopisteessä Makitan varaosia käyttäen.

Leukojen ja leukakappaleen puhdistaminen

Puhdistusväli: 3 000 niittiasennuksen välellin

Pölyn kertyminen heikentää leukojen liikkuvuutta ja voi nopeuttaa leukojen ja leukakappaleen kulumista. Puhdista leuat ja leukakappale seuraavien ohjeiden mukaisesti.

1. Irrota leukakappale. Irrotusohjeet ovat samat kuin kärkikappaleen irroituksessa.

2. Irrota leuat leukakappaleesta.

► **Kuva13:** 1. Leukakappale 2. Leuka

3. Puhdista leuat ja leukakappale harjalla. Poista leukojen hampaisiin kertynyt metallilauhe.

4. Voitele leukakappaleen sisäpinta tasaisella kerroksella molybdeenisulfidipohjaista voiteluainetta.

► **Kuva14:** 1. Voideltava alue 2. Leukakappale

5. Asenna leuat leukakappaleeseen.

► **Kuva15:** 1. Leuka 2. Leukakappale

HUOMAUTUS: Kohdista leukojen kärjet, kun asennat uusia leukoja.

6. Asenna leukakappale. Jos leukojen kärkiin on jäänyt voiteluainetta, pyyhi se pois kuivalla liinalla.

► **Kuva16:** 1. Alue, jolla ei saa olla voiteluainetta
2. Leuka

7. Asenna kärkikappale.

8. Pyyhi voiteluaine pois leuoista.

Aseta niitti etukappaleeseen ja liikuta niittiä ylös ja alas ja vasemmalle ja oikealle. Poista se sitten etukappaleesta ja pyyhi voiteluaine niitistä kuivalla liinalla. Toista tämä 2–3 kertaa.

HUOMAUTUS: Jos kärkeen tai leukojen sisäpuolelle jää voiteluainetta, leuat voivat luistaa käytön aikana.

Leukakappaleen leukojen vaihtaminen

Kun leukakappaleen leuat kuluvat, vaihda ne uusiin. Kun vaihdat leuat, toimi leukojen ja leukakappaleen puhdistusohjeiden mukaisesti. Kun asennat leuat leukakappaleeseen, käytä uusia leukoja.

Juuttuneiden niittien poistaminen

Jos niitti jumittuu työkalun sisälle, poista se käyttämällä neulan kaltaista työkalua. Jos jumitutuneen niitin poistaminen ei onnistu helposti, vaihda leukatanko tai varsi uuteen. Tee vaihto kärkikappaleen asennus- ja irrotusohjeiden mukaisesti.

LISÄVARUSTEET

▲HUOMIO: Seuraavia lisävarusteita tai laitteita suositellaan käytettäväksi tässä ohjeessa kuvatun Makita-työkalun kanssa. Muiden lisävarusteiden tai laitteiden käyttö voi aiheuttaa henkilövahinkoja. Käytä lisävarusteita ja -laitteita vain niiden käyttötarkoituksen mukaisesti.

Jos tarvitset apua tai yksityiskohtaisempia tietoja seuraavista lisävarusteista, ota yhteys paikalliseen Makitan huoltoon.

- Etukappale
- Leukatanko
- Leuka
- Varsi
- Voitele
- Aito Makita-akku ja -laturi

HUOMAA: Jotkin luettelossa mainitut varusteet voivat sisältyä työkalun toimitukseen vakiovarusteina. Ne voivat vaihdella maittain.

SPECIFIKĀCIJAS

Modelis:	DRV150	DRV250
Vilces spēks	10 kN	20 kN
Gājiens	25 mm	30 mm
Kopējais garums	313 mm	323 mm
Nominālais spriegums	Līdzstrāva 18 V	
Neto svars	1,9–2,2 kg	2,1–2,4 kg

- Nepārtrauktās izpētes un izstrādes programmas dēļ šeit uzrādītās specifikācijas var tikt mainītas bez brīdinājuma.
- Atkarībā no valsts specifikācijas var atšķirties.
- Svārs būv atšķirīgs atkarībā no papildierīces(-ēm), tostarp akumulatora kasetnes. Tabulā ir attēlota vieglākā un smagākā kombinācija atbilstoši EPTA procedūrai 01/2014.

Piemērotā akumulatora kasetne un lādētājs

Akumulatora kasetne	BL1815N / BL1820 / BL1820B / BL1830 / BL1830B / BL1840 / BL1840B / BL1850 / BL1850B / BL1860B
Lādētājs	DC18RC / DC18RD / DC18RE / DC18SD / DC18SE / DC18SF / DC18SH

- Daži no iepriekš norādītajiem lādētājiem un akumulatora kasetnēm var nebūt pieejami atkarībā no jūsu mītnes reģiona.

▲BRĪDINĀJUMS: Izmantojiet vienīgi iepriekš norādītās akumulatora kasetnes un lādētājus. Cita tipa akumulatora kasetņu un lādētāju izmantošana var radīt traumu un/vai aizdegšanās risku.

Paredzētā lietošana

Šis darbarīks ir paredzēts kniežu ievietošanai.

Trokšņa līmenis

Tipiskais A svērtais trokšņa līmenis noteikts saskaņā ar EN62841-1:

Modelis DRV150

Skaņas spiediena līmeni (L_{pA}): 75 dB (A)

Mainīgums (K): 3 dB (A)

Modelis DRV250

Skaņas spiediena līmeni (L_{pA}): 74 dB (A)

Mainīgums (K): 3 dB (A)

Darbības laikā trokšņa līmenis var pārsniegt 80 dB (A).

PIEZĪME: Paziņotā trokšņa emisijas vērtība noteikta atbilstoši standarta pārbaudes metodei, un to var izmantot, lai salīdzinātu vienu darbarīku ar citu.

PIEZĪME: Paziņoto trokšņa emisijas vērtību arī var izmantot iedarbības sākotnējā novērtējumā.

▲BRĪDINĀJUMS: Lietojiet ausu aizsargus.

▲BRĪDINĀJUMS: Trokšņa emisija patiesos darba apstākļos var atšķirties no paziņotās vērtības atkarībā no darbarīka izmantošanas veida un jo īpaši atkarībā no apstrādājamā materiāla veida.

▲BRĪDINĀJUMS: Lai aizsargātu lietotāju, nosakiet drošības pasākumus, kas pamatoti ar iedarbību reālos darba apstākļos (ņemot vērā visus ekspluatācijas cikla posmus, piemēram, laiku, kamēr darbarīks ir izslēgts un kad darbojas tukšgaitā, kā arī palaides laiku).

Vibrācija

Vibrācijas kopējā vērtība (trīsasu vektora summa) noteikta atbilstoši EN62841-1:

Modelis DRV150

Darba režīms: kniežu ievietošana

Vibrācijas izmete (a_{h1}): 2,5 m/s² vai mazāk

Mainīgums (K): 1,5 m/s²

Modelis DRV250

Darba režīms: kniežu ievietošana

Vibrācijas izmete (a_{h1}): 2,5 m/s² vai mazāk

Mainīgums (K): 1,5 m/s²

PIEZĪME: Paziņotā kopējā vibrācijas vērtība noteikta atbilstoši standarta pārbaudes metodei, un to var izmantot, lai salīdzinātu vienu darbarīku ar citu.

PIEZĪME: Paziņoto kopējo vibrācijas vērtību arī var izmantot iedarbības sākotnējā novērtējumā.

▲BRĪDINĀJUMS: Vibrācijas emisija patiesos darba apstākļos var atšķirties no paziņotās vērtības atkarībā no darbarīka izmantošanas veida un jo īpaši atkarībā no apstrādājamā materiāla veida.

▲BRĪDINĀJUMS: Lai aizsargātu lietotāju, nosakiet drošības pasākumus, kas pamatoti ar iedarbību reālos darba apstākļos (ņemot vērā visus ekspluatācijas cikla posmus, piemēram, laiku, kamēr darbarīks ir izslēgts un kad darbojas tukšgaitā, kā arī palaides laiku).

EK atbilstības deklarācija

Tikai Eiropas valstīm

EK atbilstības deklarācija šajā lietošanas rokasgrāmatā ir iekļauta kā A pielikums.

DROŠĪBAS BRĪDINĀJUMI

Vispārīgi elektrisko darbarīku drošības brīdinājumi

▲BRĪDINĀJUMS: Izlasiet visus drošības brīdinājumus, instrukcijas, apskatiet ilustrācijas un tehniskos datus, kas iekļauti mehanizētā darbarīka komplektācijā. Ja netiek ievēroti visi tālāk minētie noteikumi, var tikt izraisīta elektrotrauma, notikt aizdegšanās un/vai rasties smagas traumas.

Glabājiet visus brīdinājumus un norādījumus, lai varētu tajos ieskatīties turpmāk.

Termins „elektrisks darbarīks” brīdinājumos attiecas uz tādu elektrisko darbarīku, ko darbina ar elektrību (ar vadu), vai tādu, ko darbina ar akumulatoru (bez vada).

Brīdinājumi par bezvadu kniedētāja drošu lietošanu

1. Turiet darbarīku cieši.
2. Netuviniet rokas kustīgajām daļām.
3. Vienmēr stāviet uz stabila pamata. Ja lietojat darbarīku, strādājot lielā augstumā virs zemes, pārliecinieties, ka apakšā neviena nav.
4. Raugieties, lai nogrieztās daļas nekristu lejā no liela augstuma. Tas var izraisīt negadījumus vai radīt traumas.
5. Neizkaisiet nolauztos tapņus pa grīdu. Saskaņoties ar nolauzta tapņa aso galu vai paslīdot uz tapņa, jūs varat savainoties.
6. Izmantojot darbarīku, nepavērsiet to pret sevi vai kādu citu personu. Kniede vai nolauztais tapnis var nejauši tikt izgrūsts, un jūs varat savainoties.

Svarīgi drošības norādījumi par akumulatora kasetni

1. Pirms akumulatora lietošanas izlasiet visus norādījumus un brīdinājumus, kuri attiecas uz (1) akumulatora lādētāju, (2) akumulatoru un (3) ierīci, kurā tiek izmantots akumulators.
2. Neizjauciet akumulatoru.
3. Ja akumulatora darbības laiks kļūva ievērojami īsāks, nekavējoties pārtrauciet to izmantot. Citādi, tas var izraisīt pārkarsējumu, uzliesmojumu vai pat sprādzienu.
4. Ja elektrolīts nonāk acīs, izskalojiet tās ar tīru ūdens un nekavējoties griežieties pie ārsta. Tas var izraisīt redzes zaudēšanu.

5. Neradiet īssavienojumu akumulatora kasetnē:
 - (1) Nepieskarieties spaiļēm ar elektrību vadošiem materiāliem.
 - (2) Neuzglabājiet akumulatoru kasetni kopā ar citiem metāla priekšmetiem, tādiem kā naglas, monētas u. c.
 - (3) Nepakļaujiet akumulatora kasetni ūdens vai lietus iedarbībai.Akumulatora īssavienojums var radīt spēcīgu strāvas plūsmu, pārkaršanu, uzliesmojumu un pat sabojāt akumulatoru.
6. Neglabājiet darbarīku un akumulatora kasetni vietās, kur temperatūra var sasniegt vai pārsniegt 50 °C (122 °F).
7. Nedeziniet akumulatora kasetni, pat ja tā ir stipri bojāta vai pilnībā nolietota. Akumulatora kasetne uguni var eksplodēt.
8. Uzmanieties, lai neļautu akumulatoram nokrist un nepakļautu to sītiemam.
9. Neizmantojiet bojātu akumulatoru.
10. Uz izmantotajiem litiņa jonu akumulatoriem attiecas likumdošanas prasības par bīstamiem izstrādājumiem. Komerciālā transportēšanā, ko veic, piemēram, trešās puses, transporta uzņēmumi, jāievēro uz iesaiņojuma un marķējuma norādītās īpašās prasības. Lai izstrādājumu sagatavotu nosūtīšanai, jāsazinās ar bīstamo materiālu speciālistu. Ievērojiet arī citus attiecināmos valsts normatīvus. Valjējus kontaktus nosedziet ar līmlenti vai citādi pārklājiet, bet akumulatoru iesaiņojiet tā, lai sānītās nevarētu izkustēties.
11. Lai utilizētu akumulatora kasetni, izņemiet to no darbarīka un likvidējiet drošā vietā. Ievērojiet vietējos noteikumus par akumulatora likvidēšanu.
12. Izmantojiet šos akumulatorus tikai ar izstrādājumiem, kuru norādījis Makita. Ievietojot šos akumulatorus nesaderīgos izstrādājumos, var rasties ugunsgrēks, pārmērīgs karstums, tie var uzsprāgt vai no tiem var iztecoēt elektrolīts.
13. Ja darbarīks netiks lietots ilgu laiku, no tā jāizņem akumulators.

SAGLABĀJIET ŠOS NORĀDĪJUMUS.

▲UZMANĪBU: Lietojiet tikai oriģinālos Makita akumulatorus. Ja lietojat neoriģinālus Makita akumulatorus vai pārveidotus akumulatorus, tie var uzsprāgt un izraisīt aizdegšanos, traumas un materiālos zaudējumus. Tikš anulēta arī Makita darbarīka un lādētāja garantija.

Ieteikumi akumulatora kalpošanas laika pagarināšanai

1. Uzlādējiet akumulatora kasetni, pirms tā ir pilnībā izlādējusies. Vienmēr, kad ievērojot, ka darbarīka darba jauda zudusi, apturiet darbarīku un uzlādējiet akumulatora kasetni.
2. Nekad neuzlādējiet pilnībā uzlādētu akumulatora kasetni. Pārmērīga uzlāde sānsina akumulatora kalpošanas laiku.
3. Uzlādējiet akumulatora kasetni istabas temperatūrā 10 °C - 40 °C. Karstai akumulatora kasetnei pirms uzlādes ļaujiet atdzist.
4. Uzlādējiet litiņa jonu akumulatora kasetni, ja to ilgstoši nelietosit (vairāk nekā sešus mēnešus).

FUNKCIJU APRAKSTS

⚠UZMANĪBU: Pirms darbarīka regulēšanas vai tā darbības pārbaudes vienmēr pārliecinieties, ka darbarīks ir izslēgts un akumulatora kasetne ir izņemta.

Akumulatora kasetnes uzstādīšana un izņemšana

⚠UZMANĪBU: Vienmēr pirms akumulatora kasetnes uzstādīšanas vai noņemšanas izslēdziet darbarīku.

⚠UZMANĪBU: Uzstādot vai izņemot akumulatora kasetni, darbarīku un akumulatora kasetni turiet cieši. Ja darbarīku un akumulatora kasetni netur cieši, tie var izkrist no rokām un radīt bojājumus darbarīkam un akumulatora kasetnei, kā arī izraisīt ievainojumus.

- **Att.1:** 1. Sarkanās krāsas indikators 2. Poga 3. Akumulatora kasetne

Lai izņemtu akumulatora kasetni, izvelciet to no darbarīka, pārbindot kasetnes priekšpusē esošo pogu.

Lai uzstādītu akumulatora kasetni, salāgojiet mēlīti uz akumulatora kasetnes ar rievu ietvarā un iebīdīiet to vietā. Ievietojiet to līdz galam, līdz tā ar klikšķi nokļūst. Ja pogas augšējā daļā redzams sarkanais krāsas indikators, tas nozīmē, ka tā nav pilnīgi fiksēta.

⚠UZMANĪBU: Vienmēr ievietojiet akumulatora kasetni tā, lai sarkanais indikators nebūtu redzams. Pretējā gadījumā tā var nejauši izkrist no darbarīka un izraisīt jums vai apkārtējiem traumas.



















⚠UZMANĪBU: Neievietojiet akumulatora kasetni ar spēku. Ja kasetne neslīd ietvarā viegli, tā nav pareizi ielikta.

Atlikušās akumulatora jaudas indikators

Tikai akumulatora kasetnēm ar indikatoru

- **Att.2:** 1. Indikatora lampas 2. Pārbaudes poga

Nospiediet akumulatora kasetnes pārbaudes pogu, lai pārbaudītu akumulatora atlikušo uzlādes līmeni. Indikatori iedegsies uz dažām sekundēm.

Indikatora lampas			Atlikušā jauda
 Iedegsies	 Izslēgts	 Mirgo	
			No 75% līdz 100%
			No 50% līdz 75%
			No 25% līdz 50%
			No 0% līdz 25%
			Uzlādējiet akumulatoru.
			Iespējama akumulatora kļūme.
			
			

PIEZĪME: Reālā jauda var nedaudz atšķirties no norādītās atkarībā no lietošanas apstākļiem un apkārtējās temperatūras.

Darbarīka/akumulatora aizsardzības sistēma

Darbarīkam ir darbarīka/akumulatora aizsardzības sistēma. Šī sistēma automātiski izslēdz strāvas padevi motoram, lai pagarinātu darbarīka un akumulatora darbmūžu. Lietošanas laikā darbarīks automātiski pārstās darboties, ja darbarīku vai akumulatoru pakļaus kādam no šādiem apstākļiem.

Aizsardzība pret pārslodzi

Ja akumulatoru lieto tā, ka tas patērē pārmērīgi lielu strāvas daudzumu, darbarīks automātiski pārstāj darboties bez jebkādas norādes. Šādā gadījumā izslēdziet darbarīku un pārtrauciet darbību, kas izraisīja darbarīka pārslodzi. Tad ieslēdziet darbarīku, lai atsāktu darbu.

Aizsardzība pret pārkaršanu

Ja darbarīks vai akumulators ir pārkaris, darbarīks automātiski izslēdzas un sāk mirgot lampa. Šādā gadījumā ļaujiet darbarīkam un akumulatoram atdzist un tikai tad atkal ieslēdziet darbarīku.

Aizsardzība pret akumulatora pārmērīgu izlādi

Ja atlikusī akumulatora jauda ir nepietiekama, darbarīks automātiski pārstāj darboties. Šādā gadījumā izņemiet no darbarīka akumulatoru un uzlādējiet to.

Slēdža darbība

⚠BRĪDINĀJUMS: Pirms akumulatora kasetnes uzstādīšanas darbarīkā vienmēr pārbaudiet, vai slēdža mēlīte darbojas pareizi un pēc atlaišanas atgriežas stāvoklī „OFF” (Izslēgts).

- **Att.3:** 1. Slēdža mēlīte

Lai ieslēgtu darbarīku, nospiediet slēdža mēlīti. Atlaižot slēdža mēlīti, darbarīks apstājas un atgriežas sākotnējā pozīcijā.

Darbarīks var nebūt sākotnējā pozīcijā tālāk minētajos gadījumos. Lai atgrieztu darbarīku sākotnējā pozīcijā, pirms tā lietošanas nospiediet un atlaidiet slēdža mēlīti.

- Pirmo reizi lietojot darbarīku.
- Pēc akumulatora kasetnes maiņas.
- Kad darbarīks apstājas pārslodzes dēļ.
- Pēc apkopes darbu veikšanas.

Priekšējās lampas ieslēgšana

- **Att.4:** 1. Lampa

⚠UZMANĪBU: Neskatieties gaismā, neļaujiet tās avotam iespīdēt acīs.

Pavelciet slēdža mēlīti, lai ieslēgtu lampu. Kamēr slēdža mēlīte ir nospiesta, lampa ir ieslēgta. Apmēram 10 sekundes pēc slēdža mēlītes atlaišanas lampa izslēdzas.

PIEZĪME: Ar sausu lupatīņu notīriet netīrumus no lampas lēcas. Izvairieties saskrāpēt lampas lēcu, jo tādējādi tiek samazināts apgaismojums.

MONTĀŽA

⚠UZMANĪBU: Pirms darbarīka regulēšanas vai apkopes vienmēr pārliedzinieties, ka darbarīks ir izslēgts un akumulatora kasetne ir izņemta.

Galvas bloka uzstādīšana vai noņemšana

Lai noņemtu galvas bloku, rīkojieties, kā norādīts tālāk.

1. Atbrīvojiet galvas uzgriezni un tad noņemiet galvu.
▶ **Att.5:** 1. Uzgrieznis 2. Galva
2. Atskrūvējiet uzgali ar uzgriežņu atslēgu, vienlaikus ar otru uzgriežņu atslēgu turot galvu.
▶ **Att.6:** 1. Uzgālis 2. Galva
3. Atskrūvējiet spīļu ietvaru ar uzgriežņu atslēgu, vienlaikus ar otru uzgriežņu atslēgu turot savienotāju.
▶ **Att.7:** 1. Spīļu ietvars 2. Savienotājs
4. Izņemiet spīļu spiedēju, atsperi un cauruli.
▶ **Att.8:** 1. Spīļu spiedējs 2. Atspere 3. Caurule

IEVĒRĪBAI: Uzstādot spīļu spiedēju, atcerieties pie spīļu spiedēja piestiprināt atsperi.

Lai uzstādītu galvas bloku, veiciet noņemšanas darbības pretējā secībā. Spīļu ietvaru un uzgali cieši pievelciet, izmantojot divas uzgriežņu atslēgas.

Āķis

⚠UZMANĪBU: Vienmēr izņemiet akumulatoru, kad karat darbarīku aiz āķa.

⚠UZMANĪBU: Nekad nekariet darbarīku uz āķa lielā augstumā vai uz iespējami nestabilas virsmas.

⚠UZMANĪBU: Pakarinot darbarīku aiz āķa, ievērojiet piesardzību. Citādi darbarīks var nokrist un radīt traumas.

- ▶ **Att.9:** 1. Rieva 2. Āķis 3. Skrūve

Āķis ir noderīgs darbarīka īslaicīgai uzkarināšanai. To var uzstādīt jebkurā darbarīka pusē.

Lai uzstādītu āķi, ievietojiet to rievē jebkurā darbarīka korpusa pusē, un tad ar skrūvi pieskrūvējiet. Lai to izņemtu, atskrūvējiet skrūvi vaiļgāk un izņemiet āķi.

Atgriezumtvertnes uzstādīšana vai noņemšana

IEVĒRĪBAI: Pirms darbarīka izmantošanas noteikti uzstādiet atgriezumtvertni. Ja atgriezumtvertne nav piestiprināta pie darbarīka, tas nedarbojas.

Lai noņemtu atgriezumtvertni, grieziet to pretēji pulksteņrādītāju kustības virzienam. Lai uzstādītu atgriezumtvertni, grieziet to pulksteņrādītāju kustības virzienā.

- ▶ **Att.10:** 1. Atgriezumtvertne

EKSPLUATĀCIJA

⚠UZMANĪBU: Turiet darbarīka priekšdaļu drošā attālumā no rokām vai sejas. Kniede vai nolauztais tapnis var nejauši tikt izgrūsts, un jūs varat savainoties.

Kniedes uzstādīšana

⚠UZMANĪBU: Regulāri noņemiet un iztukšojiet atgriezumtvertni, pirms tā ir kļuvusi pilna. Citādi darbarīks var tikt bojāts, un bojātās detaļas var izraisīt traumas.

⚠UZMANĪBU: Kad ievietojat kniedi uzgalī, darbarīkam ir jābūt izslēgtam. Citādi var gūt savainojumus.

⚠UZMANĪBU: Neatstājiet kniedi uzgalī. Ja darbarīks tiek nejauši ieslēgts, kniede tiek izgrūsta un var radīt traumas.

IEVĒRĪBAI: Pēc kniedes iekniedēšanas noteikti izgrūdiet nolauzto tapni atgriezumtvertnē, sagāžot darbarīku uz aizmuguri, un tikai tad uzstādiet nākamo kniedi. Ja nolauztā tapņa gals ir izvērsts ārpus uzgāļa, izslēdziet darbarīku un izņemiet tapni. Citādi nolauztie tapņi var radīt nosprostojumu un izraisīt nepareizu darbarīka darbību.

1. Ievietojiet kniedi uzgalī.

- ▶ **Att.11:** 1. Kniede 2. Uzgālis

2. Piespiediet darbarīka galu apstrādājamajam materiālam un tad nospiediet slēdža mēlīti. Kad kniedes kāts ir nolauzts, atlaidiet slēdža mēlīti.

- ▶ **Att.12**

Regulāri noņemiet un iztukšojiet atgriezumtvertni, pirms tā ir kļuvusi pilna.

Izmantojamās necaurejošās kniedes

IEVĒRĪBAI: Tādu uzgaļu, spīļu, spīļu spiedēju vai cauruļu lietošana, kas neatbilst tapņa diametram, var izraisīt nepietiekamu stiprinājumu, tapņa iesprūšanu vai darbarīka nepareizu darbību.

Tabulā tālāk ir sniegtas atbilstošās kniežu, uzgaļu, spīļu, spīļu spiedēju un cauruļu kombinācijas.

PIEZĪME: Dažas tabulā norādītās vienības var būt iekļautas darbarīka komplektā kā standarta piederumi, bet dažas tabulā norādītās vienības ir izvēles piederumi. Tie dažādās valstīs var būt atšķirīgi.

Modelim DRV150

Kniede		Uzgalis		Atzīme uz spīlēm	Spīļu spiedējs		Caurule	
Izmērs	Tapņa diametrs	Atzīme uz uzgāja	Atveres diametrs		Atveres diametrs	Krāsa	Atveres diametrs	Krāsa
ø2,4 mm (3/32")	ø1,4–1,6 mm	2.4	ø1,9 mm	4.8	ø1,9 mm	Pelēks	ø2,2 mm	Sudraba
ø3,2 mm (1/8")	ø1,8–2,1 mm	3.2	ø2,4 mm	4.8	ø2,5 mm	Melns	ø2,6 mm	Melns
ø4,0 mm (5/32")	ø2,2–2,6 mm	4.0	ø3,0 mm	4.8	ø3,1 mm	Pelēks	Nav*	–
ø4,8 mm (3/16")	ø2,6–3,2 mm	4.8	ø3,6 mm	4.8	ø3,6 mm	Melns	Nav*	–

*. Darbu veikšanai caurule nav nepieciešama.

Modelim DRV250

Kniede		Uzgalis		Atzīme uz spīlēm	Spīļu spiedējs		Caurule	
Izmērs	Tapņa diametrs	Atzīme uz uzgāja	Atveres diametrs		Atveres diametrs	Krāsa	Atveres diametrs	Krāsa
ø2,4 mm (3/32")	ø1,4–1,6 mm	2.4	ø1,9 mm	4.8	ø1,9 mm	Pelēks	ø2,2 mm	Sudraba
ø3,2 mm (1/8")	ø1,8–2,1 mm	3.2	ø2,4 mm	4.8	ø2,5 mm	Melns	ø2,6 mm	Melns
ø4,0 mm (5/32")	ø2,2–2,6 mm	4.0	ø3,0 mm	4.8	ø3,1 mm	Pelēks	ø3,4 mm	Sudraba
ø4,8 mm (3/16")	ø2,6–3,2 mm	4.8	ø3,6 mm	4.8 vai 6.4	ø3,6 mm	Melns	ø4,1 mm	Melns
ø6,0 mm (1/4") *	ø3,1–3,5 mm	6.0	ø4,0 mm	6.4	ø4,0 mm	Pelēks	ø4,1 mm	Melns
ø6,4 mm (1/4") *	ø3,5–3,9 mm	6.4	ø4,4 mm	6.4	ø4,6 mm	Melns	ø4,5 mm	Sudraba

*. Nav pieejamas nerūsošā tērauda kniedes.

APKOPE

⚠UZMANĪBU: Pirms darbarīka pārbaudes vai apkopes vienmēr pārlicinieties, ka darbarīks ir izslēgts un akumulatora kasetne ir izņemta.

IEVĒRĪBAI: Nekad neizmantojiet gazolinu, benzīnu, atšķaidītāju, spirtu vai līdzīgus šķidrumus. Tas var radīt izbalēšanu, deformāciju vai plaisas.

Lai saglabātu izstrādājuma DROŠU un UZTICAMU darbību, remontdarbus, apkopi un regulēšanu uzticiet veikt tikai Makita pilnvarotam vai rūpnīcas apkopes centram, un vienmēr izmantojiet tikai Makita rezerves daļas.

Spīļu un spīles ietvara tīrīšana

Tīrīšanas intervāls: ik pēc 3 000 kniedēšanas reizēm Uzkrājoties putekļiem, pasliktinās spīļu kustības un var būt paatrināts spīļu un spīļu ietvara nolietojums. Lai tīrītu spīles un spīļu ietvaru, ievērojiet tālāk sniegtās norādes.

1. Noņemiet spīļu ietvaru. Noņemšanai skatiet galvas bloka noņemšanas norādes.
2. Izņemiet spīles no spīļu ietvara.
▶ **Att.13:** 1. Spīļu ietvars 2. Spīles
3. Notīriet spīles un spīļu ietvaru ar suku. Notīriet starp spīļu zobiem esošo metāla pulveri.
4. Spīļu ietvara iekšpusē vienmērīgā kārtā uzklājiet molibdēna disulfīda bāzes smērvielu.
▶ **Att.14:** 1. Zona smērvielas uzklāšanai 2. Spīļu ietvars

5. Ievietojiet spīles spīļu ietvarā.
► **Att.15:** 1. Spīles 2. Spīļu ietvars

IEVĒRĪBAI: Ievietojot spīles, noteikti pielīdziniet spīļu galus.

6. Ievietojiet spīļu ietvaru. Ja smērviela ir nonākusi uz spīļu galiem, notīriet spīles ar sausu drānu.
► **Att.16:** 1. Zona, kur smērvielu nedrīkst uzklāt
2. Spīles

7. Uzstādiet galvas bloku.

8. Noslaukiet smērvielu no spīlēm.

Ievietojiet kniedi uzgaļi, pakustiniet to uz augšu, uz leju, pa kreisi un pa labi, izņemiet to no uzgaļa un noslaukiet smērvielu no kniedes ar sausu drānu. Atkārtojiet šo procedūru 2 vai 3 reizes.

IEVĒRĪBAI: Ja smērviela paliek uz spīļu galiem vai spīļu iekšpusē, darbības laikā spīles var izslīdēt.

Spīļu ietvarā esošo spīļu maiņa

Ja spīļu ietvarā esošās spīles ir nolietotas, nomainiet tās ar jaunām. Lai nomainītu spīles, izpildiet to pašu procedūru, ko veicāt spīļu un spīļu ietvara tīrīšanas laikā. Uzstādot spīles spīļu ietvarā, izmantojiet jaunas spīles.

Iestrēgušu kniežu izņemšana

Ja kniede iestrēgst darbarīkā, izņemiet to ar citu darbarīku, piemēram, tapu. Ja ir grūti izņemt iestrēgušo kniedi, nomainiet spīļu spiedēju vai cauruli. Maiņas procedūras aprakstu skatiet galvas bloka noņemšanas un uzstādīšanas instrukcijās.

PAPILDU PIEDERUMI

⚠UZMANĪBU: Šādi piederumi un papildierīces tiek ieteiktas lietošanai ar šajā rokasgrāmatā aprakstīto Makita darbarīku. Izmantojot citus piederumus vai papildierīces, var tikt radīta trauma gūšanas bīstamība. Piederumu vai papildierīci izmantojiet tikai paredzētajam mērķim.

Ja jums vajadzīga palīdzība vai precīzāka informācija par šiem piederumiem, vērsieties savā tuvākajā Makita apkopes centrā.

- Uzgalis
- Spīļu spiedējs
- Spīles
- Caurule
- Smērviela
- Makita oriģinālais akumulators un lādētājs

PIEZĪME: Daži sarakstā norādītie izstrādājumi var būt iekļauti instrumenta komplektācijā kā standarta piederumi. Tie dažādās valstīs var būt atšķirīgi.

SPECIFIKACIJOS

Modelis:	DRV150	DRV250
Stūmimo jėga	10 kN	20 kN
Eiga	25 mm	30 mm
Bendras ilgis	313 mm	323 mm
Vardinė įtampa	Nuol. sr. 18 V	
Grynasis svoris	1,9–2,2 kg	2,1–2,4 kg

- Atliekame tęstinus tyrimus ir nuolatos tobuliname savo gaminius, todėl čia pateikiamos specifikacijos gali būti keičiamos be įspėjimo.
- Skirtingose šalyse specifikacijos gali skirtis.
- Svoris gali priklausyti nuo priedo (-ų), įskaitant akumuliatoriaus kasetę. Lengviausias ir sunkiausias deriniai pagal EPTA 2014 m. sausio mėn. procedūrą yra parodyti lentelėje.

Tinkama akumuliatoriaus kasetė ir (arba) įkroviklis

Akumuliatoriaus kasetė	BL1815N / BL1820 / BL1820B / BL1830 / BL1830B / BL1840 / BL1840B / BL1850 / BL1850B / BL1860B
Įkroviklis	DC18RC / DC18RD / DC18RE / DC18SD / DC18SE / DC18SF / DC18SH

- Atsižvelgiant į gyvenamosios vietos regioną, kai kurios pirmiau nurodytos akumuliatoriaus kasetės ir įkrovikliai gali būti neprieinami.

⚠️ JSPĖJIMAS: Naudokite tik akumuliatoriaus kasetes ir įkroviklius, kurie nurodyti anksčiau. Naudojant bet kurias kitas akumuliatoriaus kasetes ir įkroviklius, gali kilti sužeidimo ir gaisro pavojus.

Numatytoji naudojimo paskirtis

Šis įrankis skirtas aklinajai kniedeii įtvirtinti.

Triukšmas

Įprastas triukšmo A lygis, nustatytas pagal EN62841-1:

Modelis DRV150

Garso slėgio lygis (L_{pA}): 75 dB (A)

Paklaida (K): 3 dB (A)

Modelis DRV250

Garso slėgio lygis (L_{pA}): 74 dB (A)

Paklaida (K): 3 dB (A)

Dirbant triukšmo lygis gali viršyti 80 dB (A).

PASTABA: Paskelbta (-os) triukšmo reikšmė (-ės) nustatyta (-os) pagal standartinį testavimo metodą ir jį galima naudoti vienam įrankiui palyginti su kitu.

PASTABA: Paskelbta (-os) triukšmo reikšmė (-ės) taip pat gali būti naudojama (-os) norint preliminariai įvertinti triukšmo poveikį.

⚠️ JSPĖJIMAS: Dėvėkite ausų apsaugą.

⚠️ JSPĖJIMAS: Faktiškai naudojant elektrinį įrankį, keliamo triukšmo dydis gali skirtis nuo paskelbtos (-ų) reikšmės (-ių), priklausomai nuo būdų, kuriais yra naudojamas šis įrankis, ir ypač nuo to, kokio tipo ruošinys apdirbamas.

⚠️ JSPĖJIMAS: Siekdami apsaugoti operatorių, būtina įvertinkite saugos priemones, remdamiesi vibracijos poveikio įvertinimu esant faktinėms naudojimo sąlygoms (atsižvelgdami į visas darbo ciklo dalis, pavyzdžiui, ne tik kiek laiko įrankis veikia, bet ir kiek kartų jis yra išjungiamas bei kai jis veikia be apkravų).

Vibracija

Vibracijos bendroji vertė (traišio vektorius suma) nustatyta pagal EN62841-1 standartą:

Modelis DRV150

Darbo režimas: aklinosios kniedės įtvirtinimas

Vibracijos emisija (a_{hv}): 2,5 m/s² arba mažiau

Paklaida (K): 1,5 m/s²

Modelis DRV250

Darbo režimas: aklinosios kniedės įtvirtinimas

Vibracijos emisija (a_{hv}): 2,5 m/s² arba mažiau

Paklaida (K): 1,5 m/s²

PASTABA: Paskelbta (-os) vibracijos bendroji (-osios) reikšmė (-ės) nustatyta (-os) pagal standartinį testavimo metodą ir jį galima naudoti vienam įrankiui palyginti su kitu.

PASTABA: Paskelbta (-os) vibracijos bendroji (-osios) reikšmė (-ės) taip pat gali būti naudojama (-os) norint preliminariai įvertinti vibracijos poveikį.

⚠️ JSPĖJIMAS: Faktiškai naudojant elektrinį įrankį, keliamos vibracijos dydis gali skirtis nuo paskelbtos (-ų) reikšmės (-ių), priklausomai nuo būdų, kuriais yra naudojamas šis įrankis, ir ypač nuo to, kokio tipo ruošinys apdirbamas.

⚠️ JSPĖJIMAS: Siekdami apsaugoti operatorių, būtina įvertinkite saugos priemones, remdamiesi vibracijos poveikio įvertinimu esant faktinėms naudojimo sąlygoms (atsižvelgdami į visas darbo ciklo dalis, pavyzdžiui, ne tik kiek laiko įrankis veikia, bet ir kiek kartų jis yra išjungiamas bei kai jis veikia be apkravų).

EB atitikties deklaracija

Tik Europos šalis

EB atitikties deklaracija yra pridedama kaip šio instrukcijos vadovo A priedas.

SAUGOS ĮSPĖJIMAI

Bendrieji įspėjimai dirbant elektriniais įrankiais

⚠️ ĮSPĖJIMAS: Perskaitykite visus saugos įspėjimus, instrukcijas, iliustracijas ir techninius duomenis, pateiktus kartu su šiuo elektriniu įrankiu. Nelaikant visų toliau išvardytų instrukcijų galima patirti elektros smūgi, gali kilti gaisras ir (arba) galima sunkiai susižaloti.

Išsaugokite visus įspėjimus ir instrukcijas, kad galėtumėte jas peržiūrėti ateityje.

Terminas „elektrinis įrankis“ pateiktuose įspėjimuose reiškia į maitinimo tinklą jungiamą (laidinį) elektrinį įrankį arba akumuliatoriaus maitinamą (belaidį) elektrinį įrankį.

Saugos įspėjimai dėl kniedijimo pistoleto naudojimo

1. Tvirtai laikykite įrankį.
2. Žiūrėkite, kad rankos būtų kuo toliau nuo judamųjų dalių.
3. Būtinai įsitinkite, kad tvirtai stovite. Jei naudojate įrankį aukštai, įsitinkite, kad apačioje nėra žmonių.
4. Būkite atsargūs, kad iš aukštai nenumestumėte nulūžusio prakalo. Tai gali sukelti nelaimingą atsitikimą arba sužalojimą.
5. Neišmėtykite sulūžusių prakalų ant grindų. Galite susižaloti į aštrų nulūžusio prakalo galą arba paslysti, jei užlipsite ant prakalo.
6. Kai dirbate įrankiu, nenukreipkite jo į kitą asmenį arba save. Kniedė arba nulūžęs prakalas gali būti netyčia išmesti ir jus sužaloti.

Svarbios saugos instrukcijos, taikomos akumuliatoriaus kasetei

1. Prieš naudodami akumuliatoriaus kasetę, perskaitykite visas instrukcijas ir perspėjimus ant (1) akumuliatorių įkroviklio, (2) akumuliatorių ir (3) akumuliatorių naudojančio gaminio.
2. Neardykite akumuliatoriaus kasetės.
3. Jei įrankio darbo laikas žymiai sutrumpėjo, nedelsdami nutraukite darbą su įrankiu. Tai gali kelti perkaitimo, nudegimų ar net sprogmio pavojų.
4. Jei elektrolitas pateko į akis, plaukite jas tyru vandeniu ir nedelsdami kreipkitės į gydytoją. Gali kilti regėjimo praradimo pavojus.

5. Neužtrumpinkite akumuliatoriaus kasetės:
 - (1) Nelieskite kontaktų degiomis medžiagomis.
 - (2) Venkite laikyti akumuliatoriaus kasetę kartu su kitais metaliniais daiktais, pavyzdžiui, vinimis, monetomis ir pan.
 - (3) Saugokite akumuliatoriaus kasetę nuo vandens ir lietaus.Trumpasis jungimas akumuliatoriuje gali sukelti stiprią srovę, perkaitimą, galimus nudegimus ar net akumuliatoriaus gedimą.
6. Nelaikykite įrankio ir akumuliatoriaus kasetės vietose, kur temperatūra gali pasiekti ar viršyti 50 °C.
7. Nedeginkite akumuliatoriaus kasetės, net jei yra stipriai pažeista ar visiškai susidėvėjusi. Ugnyje akumuliatoriaus kasetė gali sprogti.
8. Saugokite akumuliatorių nuo kritimo ir smūgių.
9. Nenaudokite pažeisto akumuliatoriaus.
10. Įdėtomis ličio jonų akumuliatoriams taikomi Pavojingų prekių teisės akto reikalavimai. Komercinis transportas, pvz., trečiųjų šalių, prekių vežimo atstovų, turi laikytis specialaus reikalavimo ant pakuotės ir ženklavimo. Norėdami paruošti siųstiną prekę, pasitarkite su pavojingų medžiagų specialistu. Be to, laikykitės galimai išsamesnių nacionalinių reglamentų. Užklijuokite juosta arba padenkite atvirus kontaktus ir supakuokite akumuliatorių taip, kad jį pakuotėje nejudėtų.
11. Kai išmetate akumuliatoriaus kasetę, išimkite ją iš įrankio ir išmeskite saugioje vietoje. Vadovaukitės vietos reglamentais dėl akumuliatorių išmetimo.
12. Baterijas naudokite tik su „Makita“ nurodytais gaminiais. Baterijas įdėjus į netinkamus gaminius gali kilti gaisras, gaminys pernelyg kaisti, kilti sprogmis arba pratekti elektrolitas.
13. Jei įrankis bus ilgą laiką nenaudojamas, akumuliatorių būtina išimti iš įrankio.

SAUGOKITE ŠIAS INSTRUKCIJAS.

⚠️ PERSPĖJIMAS: Naudokite tik originalų „Makita“ akumuliatorių. Neoriginalaus „Makita“ arba pakeisto akumuliatoriaus naudojimas gali nulemti gaisrą, asmens sužalojimą ir pažeidimą. Tai taip pat panaikina „Makita“ suteikiamą „Makita“ įrankio ir įkroviklio garantiją.

Patarimai, ką daryti, kad akumuliatorius veiktų kuo ilgiau

1. Pakraukite akumuliatoriaus kasetę prieš ją visiškai išsikraunant. Visuomet nustokite naudoti įrankį ir pakraukite akumuliatoriaus kasetę, kai pastebite, kad įrankio galia sumažėjo.
2. Niekada nekraukite iki galo įkrautos akumuliatoriaus kasetės. Perkraunant trumpėja akumuliatoriaus eksploatacijos laikas.
3. Akumuliatoriaus kasetę kraukite esant kambario temperatūrai 10 - 40 °C. Prieš pradėdami krauti, leiskite įkautusiai akumuliatoriaus kasetei atvėsti.
4. Įkraukite akumuliatoriaus kasetę, jei jos nenaudojate ilgą laiką (ilgiau nei šešis mėnesius).

VEIKIMO APRAŠYMAS

⚠ PERSPĖJIMAS: Prieš pradėdami reguliuoti arba tikrinti įrankio veikimą, visuomet būtinai išjunkite įrankį ir išimkite akumuliatoriaus kasetę.

Akumuliatoriaus kasetės uždėjimas ir nuėmimas

⚠ PERSPĖJIMAS: Prieš įdėdami arba išimdami akumuliatoriaus kasetę, visada išjunkite įrankį.

⚠ PERSPĖJIMAS: Įdėdami arba išimdami akumuliatoriaus kasetę, tvirtai laikykite įrankį ir akumuliatoriaus kasetę. Jeigu įrankį ir akumuliatoriaus kasetę laikysite netvirtai, jie gali išslysti iš jūsų rankų, todėl įrankis ir akumuliatoriaus kasetė gali būti sugadinti, o naudotojas sužalotas.

- **Pav.1:** 1. Raudonas indikatorius 2. Mygtukas 3. Akumuliatoriaus kasetė

Jei norite išimti akumuliatoriaus kasetę, ištraukite ją iš įrankio, stumdami mygtuką, esantį kasetės priekyje.

Jei norite įdėti akumuliatoriaus kasetę, sulygiuokite liežuviėlį ant akumuliatoriaus kasetės su grioveliu korpuse ir įstumkite į jai skirtą vietą. Įdėkite iki galo, kol spragtelėdama užsikisuos. Jeigu matote raudoną indikatorių viršutinėje mygtuko pusėje, jį nėra visiškai užfiksuota.

⚠ PERSPĖJIMAS: Akumuliatoriaus kasetę visada įkiškite iki galo, kol nebematysite raudono indikatoriaus. Priešingu atveju ji gali atsiktinai iškristi iš įrankio, sužeisti jus arba aplinkinius.

⚠ PERSPĖJIMAS: Neikiškite akumuliatoriaus kasetės įėga. Jeigu kasetė sunkiai lenda, ją kišate netinkamai.

Likusios akumuliatoriaus galios rodymas

Tik akumuliatoriaus kasetėms su indikatoriumi

- **Pav.2:** 1. Indikatorijų lemputės 2. Tikrinimo mygtukas

Paspauskite akumuliatoriaus kasetės tikrinimo mygtuką, kad būtų rodoma likusi akumuliatoriaus energija. Maždaug trims sekundėms užsidegs indikatorijų lemputės.

Indikatorijų lemputės			Likusi galia
Šviečia	Nešviečia	Blyksi	
■	□	▬	
■ ■ ■ ■			75 - 100 %
■ ■ ■ □			50 - 75 %
■ ■ □ □			25 - 50 %
■ □ □ □			0 - 25 %
▬ □ □ □			Įkraukite akumuliatorių.
■ ■ □ □			Galimai įvyko akumuliatoriaus veikimo triktis.
□ □ ■ ■			

PASTABA: Rodmuo gali šiek tiek skirtis nuo faktinės energijos lygio – tai priklauso nuo naudojimo sąlygų ir aplinkos temperatūros.

Įrankio / akumuliatoriaus apsaugos sistema

Įrankyje įrengta įrankio / akumuliatoriaus apsaugos sistema. Ši sistema automatiškai atjungia variklio maitinimą, kad įrankis ir akumuliatorius ilgiau veiktų. Įrankis automatiškai išsijungs darbo metu esant vienai iš toliau nurodytų įrankio arba akumuliatoriaus darbo sąlygų:

Apsauga nuo perkrovos

Akumuliatorių naudojant taip, kad susidaro neįprastai aukšta srovė, nepateikiant jokios indikacijos, įrankis automatiškai sustabdomas. Tokiu atveju išjunkite įrankį ir nutraukite darbą, dėl kurio įrankis buvo perkrautas. Tada įjunkite įrankį, kad jis būtų paleistas iš naujo.

Apsauga nuo perkaitimo

Kai įrankis ar akumuliatorius perkaista, jis automatiškai išsijungia ir pradeda mirksėti lemputė. Esant šiai situacijai, leiskite įrankiui ir akumuliatoriui atvėsti, prieš vėl jungdami įrankį.

Apsauga nuo visiško išsekvojimo

Kai akumuliatoriaus galios nepakanka, įrankis automatiškai išsijungia. Tokiu atveju ištraukite akumuliatorių iš įrankio ir jį įkraukite.

Jungiklio veikimas

⚠ PERSPĖJIMAS: Prieš montuodami akumuliatoriaus kasetę įrankyje, visuomet patikrinkite, ar gaidukas tinkamai veikia ir atleistas grįžta į išjungimo padėtį „OFF“.

- **Pav.3:** 1. Gaidukas

Jei norite paleisti įrankį, tiesiog paspauskite gaiduką. Atleisus gaiduką, įrankis sustoja ir grįžta į pradinę padėtį.

Įrankis gali būti ne pradinėje padėtyje šiais atvejais. Prieš naudodami įrankį, grąžinkite jį į pradinę padėtį paspausdami ir atleisdami gaiduką.

- Kai įrankį naudojate pirmą kartą.
- Kai pakeitėte akumuliatoriaus kasetę.
- Kai įrankis sustabdomas dėl perkrovos.
- Kai atlikote techninę priežiūrą.

Priekinės lemputės uždegimas

- **Pav.4:** 1. Lemputė

⚠ PERSPĖJIMAS: Nežiūrėkite tiesiai į šviesą arba šviesos šaltinį.

Paspauskite gaiduką, kad užsidegtų lemputė. Lemputė švies to, kol spausite gaiduką. Atleisus jungiklio gaiduką, lemputė užgęsta maždaug po 10 sekundžių.

PASTABA: Purvą nuo lempos objektyvo nuvalykite sausu skudurėliu. Būkite atsargūs, kad nesubraižytumėte lempos objektyvo, nes pablogės apšvietimas.

SURINKIMAS

⚠ PERSPĖJIMAS: Prieš darydami ką nors įrankiui visada patikrinkite, ar įrenginys išjungtas, o akumuliatorių kasetė – nuimta.

Galvutės įtaiso įdėjimas ir išėmimas

Norėdami nuimti galvutės įtaisą, atlikite toliau nurodytus veiksmus.

1. Atsukite galvutės veržlę ir nuimkite galvutę.
▶ **Pav.5:** 1. Veržlė 2. Galvutė
2. Raktu atsukite antgalį, kitu raktu prilaikydami galvutę.
▶ **Pav.6:** 1. Antgalis 2. Galvutė
3. Raktu atsukite spaustuvų korpusą, kitu raktu prilaikydami jungtį.
▶ **Pav.7:** 1. Spaustuvų korpusas 2. Jungtis
4. Išimkite spaustuvo stūmiklį, spyruoklę ir vamzdį.
▶ **Pav.8:** 1. Spaustuvo stūmiklis 2. Spyruoklė 3. Vamzdis

PASTABA: Tvirtindami spaustuvo stūmiklį būtinai prie jo pritvirtinkite spyruoklę.

Norėdami uždėti galvutės įtaisą, atlikite nuėmimo procedūrą atvirkščia eiles tvarka. Būtinai dviem raktais patikimai pritvirtinkite spaustuvų korpusą ir antgalį.

NAUDOJIMAS

⚠ PERSPĖJIMAS: Ranką arba veidą laikykite atokiau nuo priekinės įrankio dalies. Kniedė arba nulūžęs prakalas gali būti netyčia išmesti ir jus sužaloti.

Aklinosios kniedės įtvirtinimas

⚠ PERSPĖJIMAS: Reguliariai išimkite ir ištuštinkite prakalo talpyklą, dar jai neužsipildžius.

Antraip galite sugadinti įrankį, o sugadintos dalys gali sužaloti.

⚠ PERSPĖJIMAS: Prieš įdėdami aklinają kniedę į antgalį, būtinai išjunkite įrankį. Antraip galite susižaloti į įrankio galiuką.

⚠ PERSPĖJIMAS: Nepalikite aklinosios kniedės antgalyje. Įrankį įjungus netyčia, aklinoji kniedė bus išmesta ir gali sužaloti.

Kablys

⚠ PERSPĖJIMAS: Prieš pakabindami įrankį ant kablo, visada ištraukite iš jo akumuliatorių.

⚠ PERSPĖJIMAS: Niekada nekabinkite įrankio labai aukštai arba nedėkite ant paviršiaus, kuris gali būti nestabilus.

⚠ PERSPĖJIMAS: Kabinkite įrankį ant kablo atsargiai. Antraip jis gali nukristi ir sužaloti.

- ▶ **Pav.9:** 1. Griovelis 2. Kablys 3. Sraigtas

Kablys yra patogus naudoti norint laikinai pakabinti įrankį. Jį galima įrengti bet kurioje įrankio pusėje. Norėdami uždėti kablį, įdėkite jį į įrankio korpuso bet kurioje pusėje esantį griovelį ir tuomet pritvirtinkite sraigto. Norėdami išimti, atsukite sraigto ir išimkite.

Prakalo talpyklos įdėjimas ir išėmimas

PASTABA: Prieš naudodami įrankį būtinai pritvirtinkite prakalo talpyklą. Jei prie įrankio nepritvirtinsite prakalo talpyklos, įrankis neveiks.

Norėdami prakalo talpyklą išimti, sukite ją prieš laikrodžio rodyklę. Norėdami prakalo talpyklą įtvirtinti, sukite ją pagal laikrodžio rodyklę.

- ▶ **Pav.10:** 1. Prakalo talpykla

PASTABA: Įtvirtinę aklinają kniedę, prieš tvirtindami naują aklinają kniedę būtinai išstumkite nulūžusį prakalą į prakalo talpyklą, pakreipdami įrankį atgal. Jei nulūžusio prakalo galas išsikišęs iš antgalio, išjunkite įrankį ir išimkite prakalą. Antraip nulūžęs prakalas gali užsikimšti ir sukelti įrankio gedimą.

1. Įkiškite aklinają kniedę į antgalį.

- ▶ **Pav.11:** 1. Aklinoji kniedė 2. Antgalis

2. Spauskite įrankio galiuką į ruošinį, tada truktėkite gaiduką. Kai prakalas nulūžo, atleiskite gaiduką.

- ▶ **Pav.12**

Reguliariai išimkite ir ištuštinkite prakalo talpyklą, dar jai neužsipildžius.

Galimos aklinosios kniedės

PASTABA: Naudojant priekinį antgalį, spaustuva, spaustuvo stūmiklį arba vamzdį, kuris neatitinka prakalo skersmens, galima prastai pritvirtinti, prakalas gali užsikimšti arba gali sugesti įrankis.

Informacijos apie kniedę, priekinį antgalį, spaustuva, spaustuvo stūmiklį ir vamzdį žr. lentelėje toliau.

PASTABA: Kai kurie lentelėje pateikti elementai gali būti įrankių pakete kaip standartiniai priedai, tuo tarpu kiti yra pasirinkamieji priedai. Jie įvairiose šalyse gali skirtis.

Informacija dėl DRV150

Kniedė		Priekinis antgalis		Ženklas ant spaustuvo	Spaustuvo stūmiklis		Vamzdis	
Dydis	Prakalo skersmuo	Ženklas ant priekinio antgalio	Angos skersmuo		Angos skersmuo	Spalva	Angos skersmuo	Spalva
ø2,4 mm (3/32")	ø1,4–1,6 mm	2.4	ø1,9 mm	4.8	ø1,9 mm	Pilka	ø2,2 mm	Sidabrinė
ø3,2 mm (1/8")	ø1,8–2,1 mm	3.2	ø2,4 mm	4.8	ø2,5 mm	Juoda	ø2,6 mm	Juoda
ø4,0 mm (5/32")	ø2,2–2,6 mm	4.0	ø3,0 mm	4.8	ø3,1 mm	Pilka	Nėra *	–
ø4,8 mm (3/16")	ø2,6–3,2 mm	4.8	ø3,6 mm	4.8	ø3,6 mm	Juoda	Nėra *	–

*. Darbui vamzdis nereikalingas.

Informacija dėl DRV250

Kniedė		Priekinis antgalis		Ženklas ant spaustuvo	Spaustuvo stūmiklis		Vamzdis	
Dydis	Prakalo skersmuo	Ženklas ant priekinio antgalio	Angos skersmuo		Angos skersmuo	Spalva	Angos skersmuo	Spalva
ø2,4 mm (3/32")	ø1,4–1,6 mm	2.4	ø1,9 mm	4.8	ø1,9 mm	Pilka	ø2,2 mm	Sidabrinė
ø3,2 mm (1/8")	ø1,8–2,1 mm	3.2	ø2,4 mm	4.8	ø2,5 mm	Juoda	ø2,6 mm	Juoda
ø4,0 mm (5/32")	ø2,2–2,6 mm	4.0	ø3,0 mm	4.8	ø3,1 mm	Pilka	ø3,4 mm	Sidabrinė
ø4,8 mm (3/16")	ø2,6–3,2 mm	4.8	ø3,6 mm	4.8 arba 6.4	ø3,6 mm	Juoda	ø4,1 mm	Juoda
ø6,0 mm (1/4")*	ø3,1–3,5 mm	6.0	ø4,0 mm	6.4	ø4,0 mm	Pilka	ø4,1 mm	Juoda
ø6,4 mm (1/4")*	ø3,5–3,9 mm	6.4	ø4,4 mm	6.4	ø4,6 mm	Juoda	ø4,5 mm	Sidabrinė

*. Nerūdijančio plieno kniedė nepateikiama.

TECHNINĖ PRIEŽIŪRA

⚠ PERSPĖJIMAS: Visuomet įsitikinkite, ar įrankis yra išjungtas ir akumuliatoriaus kasetė yra nuimta prieš atlikdami apžiūrą ir priežiūrą.

PASTABA: Niekada nenaudokite gazolino, benzino, tirpiklio, spirito arba panašių medžiagų. Gali atsirasti išblukimų, deformacijų arba įtrūkimų.

Kad gaminys būtų SAUGUS ir PATIKIMAS, jį taisyti, apžiūrėti ar vykdyti bet kokią kitą priežiūrą ar derinimą turi įgaliotasis kompanijos „Makita“ techninės priežiūros centras; reikia naudoti tik kompanijos „Makita“ pagamintą atsarginę dalis.

Spaustuvių ir spaustuvių korpuso valymas

Valymo intervalas: kas 3 000 kniedžių įtvirtinimų

Susikaupus dulkių pablogėja spaustuvių judėjimas, todėl spaustuviui ir spaustuvių korpusas gali labiau dėvėtis. Norėdami išvalyti spaustuvius ir spaustuvių korpusą, atlikite toliau pateiktus veiksmus.

1. Išimkite spaustuvių korpusą. Informacijos apie išėmimo procedūrą žr. galvutės įtaiso nuėmimo instrukcijoje.
2. Išimkite spaustuvius iš jų korpuso.
▶ **Pav.13:** 1. Spaustuvių korpusas 2. Spaustuvas
3. Šepečiu išvalykite spaustuvius ir spaustuvių korpusą. Pašalinkite metalo miltelius, susikaupusius tarp spaustuvių dantų.

4. Tolygiai ant spaustuvų korpuso vidinio krašto užtepkite molibdeno disulfido pagrindo tepalo.

► **Pav.14:** 1. Tepalo užtepimo sritis 2. Spaustuvų korpusas

5. Įdėkite spaustus į jų korpusą.

► **Pav.15:** 1. Spaustuvas 2. Spaustuvų korpusas

PASTABA: Įdėdami spaustus būtinaai sulygiuokite spaustuvų galiukus.

6. Įdėkite spaustuvų korpusą. Jei prie spaustuvų galiukų prikibo tepalo, nuvalykite jį sausa šluoste.

► **Pav.16:** 1. Sritis, prie kurios neturi būti prikibusio tepalo 2. Spaustuvas

7. Įdėkite galvutės įtaisą.

8. Nuo spaustuvų nušluostykite tepalą.

Įdėkite kniedę į priekinį atgalį, stumkite ją į viršų ir žemyn, kairėn ir dešinėn, tada ją išimkite iš priekinio atgalio ir sausa šluoste nuo kniedės nuvalykite tepalą. Tą pačią procedūrą pakartokite 2 arba 3 kartus.

PASTABA: Jei tepalo prikibo prie galiuko arba spaustuvų viduje, darbo metu spaustuvai gali slyščioti.

Spaustuvų pakeitimas spaustuvų korpuse

Jei nusidėvėjo spaustuvų korpuse esantys spaustuvai, pakeiskite juos naujais. Norėdami pakeisti spaustus, atlikite tą pačią procedūrą, kuri taikoma valant spaustus ir spaustuvų korpusą. Prireikus įdėti spaustus į spaustuvų korpusą, įdėkite naujus spaustus.

Užstrigusios kniedės išėmimas

Jei įrankyje užstrigo kniedė, ją išimkite tokiu įrankiu kaip kaištis. Jei užstrigusią kniedę sunku išimti, spaustuvo stūmiklį arba vamzđį pakeiskite nauju. Informacijos apie pakeitimo procedūrą žr. galvutės įtaiso įdėjimo ir išėmimo instrukcijoje.

PASIRENKAMI PRIEDAI

⚠ PERSPĖJIMAS: Šiuos papildomus priedus arba įtaisus rekomenduojama naudoti su šioje instrukcijoje nurodytu „Makita“ bendrovės įrankiu. Naudojant bet kokius kitus papildomus priedus arba įtaisus, gali kilti pavojus sužeisti žmones. Naudokite tik nurodytam tikslui skirtus papildomus priedus arba įtaisus.

Jeigu norite daugiau sužinoti apie tuos priedus, kreipkitės į artimiausią „Makita“ techninės priežiūros centrą.

- Antgalis
- Spaustuvo stūmiklis
- Spaustuvas
- Vamzdis
- Tepalas
- Originalus „Makita“ akumulatorius ir įkroviklis

PASTABA: Kai kurie sąrašė esantys priedai gali būti pateikti įrankio pakuotėje kaip standartiniai priedai. Jie įvairiose šalyse gali skirtis.

TEHNILISED ANDMED

Mudel:	DRV150	DRV250
Tõmbejõud	10 kN	20 kN
Käik	25 mm	30 mm
Üldpikkus	313 mm	323 mm
Nimipinge	Alalisvool 18 V	
Netokaal	1,9–2,2 kg	2,1–2,4 kg

- Meie pideva uuringu- ja arendusprogrammi tõttu võidakse tehnilisi andmeid muuta ilma sellest ette teatamata.
- Tehnilised andmed võivad riigiti erineda.
- Kaal võib erineda olenevalt lisaseadistest, kaasa arvatud akukassetist. Kergeim ja raskeim kombinatsioon EPTA-protseduuri 01/2014 kohaselt on toodud tabelis.

Sobiv akukassett ja laadija

Akukassett	BL1815N / BL1820 / BL1820B / BL1830 / BL1830B / BL1840 / BL1840B / BL1850 / BL1850B / BL1860B
Laadija	DC18RC / DC18RD / DC18RE / DC18SD / DC18SE / DC18SF / DC18SH

- Mõned eespool loetletud akukassetid ja -laadijad ei pruugi olla teie riigis saadaval.

⚠ HOIATUS: Kasutage ainult ülalpool loetletud akukassette ja laadijaid. Muude akukassetide ja laadijate kasutamine võib tekitada vigastusi ja/või tulekahju.

Kavandatud kasutus

Tööriist on ette nähtud pimeneetide paigaldamiseks.

Müra

Tüüpiline A-korrigeeritud müratase, määratud standardi EN62841-1 kohaselt:

Mudel DRV150

Helirõhutase (L_{pA}): 75 dB (A)

Määramatus (K): 3 dB (A)

Mudel DRV250

Helirõhutase (L_{pA}): 74 dB (A)

Määramatus (K): 3 dB (A)

Töötamisel võib müratase ületada 80 dB (A).

MÄRKUS: Deklareeritud müra väärtust (väärtuseid) on mõõdetud kooskõlas standardse katsemeetodiga ning seda võib kasutada ühe seadme võrdlemiseks teisega.

MÄRKUS: Deklareeritud müra väärtust (väärtuseid) võib kasutada ka mürataseme esmaseks hindamiseks.

⚠ HOIATUS: Kasutage kõrvakaitsmeid.

⚠ HOIATUS: Müratase võib elektritööriista tegelikkuses kasutamise ajal erineda deklareeritud väärtus(t)est olenevalt tööriista kasutusviisidest ja eriti töödeldavast toorikust.

⚠ HOIATUS: Rakendage operaatori kaitsmiseks kindlasti piisavaid ohutusabinõusid, mis põhinevad hinnangulisel müratasemel tegelikus töösituatsioonis (võttes arvesse tööperioodi kõiki osasid, näiteks korrad, kui seade lülitatakse välja ja seade töötab tühikäigul, lisaks tööajale).

Vibratsioon

Vibratsiooni koguväärtus (kolmeteljeliste vektorite summa) määratud standardi EN62841-1 kohaselt:

Mudel DRV150

Töörežiim: Pimeneetide paigaldamine
Vibratsiooniheide (a_h): 2,5 m/s² või vähem
Määramatus (K): 1,5 m/s²

Mudel DRV250

Töörežiim: Pimeneetide paigaldamine
Vibratsiooniheide (a_h): 2,5 m/s² või vähem
Määramatus (K): 1,5 m/s²

MÄRKUS: Deklareeritud vibratsiooni koguväärtust (-väärtuseid) on mõõdetud kooskõlas standardse katsemeetodiga ning seda võib kasutada ühe seadme võrdlemiseks teisega.

MÄRKUS: Deklareeritud vibratsiooni koguväärtust (-väärtuseid) võib kasutada ka mürataseme esmaseks hindamiseks.

⚠ HOIATUS: Vibratsioonitase võib elektritööriista tegelikkuses kasutamise ajal erineda deklareeritud väärtus(t)est olenevalt tööriista kasutusviisidest ja eriti töödeldavast toorikust.

⚠ HOIATUS: Rakendage operaatori kaitsmiseks kindlasti piisavaid ohutusabinõusid, mis põhinevad hinnangulisel müratasemel tegelikus töösituatsioonis (võttes arvesse tööperioodi kõiki osasid, näiteks korrad, kui seade lülitatakse välja ja seade töötab tühikäigul, lisaks tööajale).

EÜ vastavusdeklaratsioon

Ainult Euroopa riikide puhul

EÜ vastavusdeklaratsioon sisaldub käesoleva juhendi Lisas A.

OHUTUSHOIATUSED

Üldised elektritööriistade ohutushoiatused

⚠️HOIATUS: Lugege läbi kõik selle elektritööriistaga kaasas olevad ohutushoiatused, juhised, joonised ja tehnilised andmed. Järgnevate juhiste eiramine võib põhjustada elektrilöögi, süttimise ja/või raske kehavigastuse.

Hoidke edaspidisteks viide- teks alles kõik hoiatused ja juhtnöörid.

Hoiatuses kasutatud termini „elektritööriist“ all peetakse silmas elektriga töötavaid (juhtmega) elektritööriistu või akuga töötavaid (juhtmeta) elektritööriistu.

Juhtmevaba needipüstoli ohutusjuhised

1. Hoidke tööriista kindlalt.
2. Hoidke käed liikuvatest osadest eemal.
3. Veenduge alati, et teie jalgealune oleks kindel. Kui töötate kõrguses, siis jälgige, et teist allpool ei viibiks inimesi.
4. Olge ettevaatlik, et purustatud spindlid ei kukuks kõrgetest kohtadest alla. Muidu võite põhjustada õnnetuse või vigastuse.
5. Ärge ajage purustatud spindleid pörandale laiali. Te võite end purustatud spindli terava otsaga või spindli libastudes vigastada.
6. Ärge suunake tööriista selle kasutamise ajal inimese või iseenda poole. Neet või purustatud spindel võib kogemata välja paiskuda ja teid vigastada.

Akukassetiga seotud olulised ohutusjuhised

1. Enne akukassetti kasutamist lugege (1) akulaadidaja, (2) akul ja (3) seadmel olevad juhtnöörid ja hoiatused läbi.
2. Ärge võtke akukassetti lahti.
3. Kui tööaeg järsult lüheneb, siis lõpetage kohe kasutamine. Edasise kasutamise tulemuseks võib olla ülekuumenemisoht, võimalikud põletused või isegi plahvatus.
4. Kui elektrolüüti satub silma, siis loputage silma puhta veega ja pöörduge koheselt arsti poole. Selline õnnetus võib põhjustada pimedaksjäämist.

5. Ärge tekitage akukassetis lühist:
 - (1) Ärge puutuge klemme elektrijuhtidega.
 - (2) Ärge hoidke akukassetti tööriistakastis koos metallesemetega, nagu naelad, mündid jne.
 - (3) Ärge tehke akukassetti märjaks ega jätke seda vihma kätte.
- Aku lühis võib põhjustada tugevat elektrivoolu, ülekuumenemist, põletusi ning ka seadet tõsiselt kahjustada.
6. Ärge hoidke tööriista ja akukassetti kohtades, kus temperatuur võib tõusta üle 50 °C.
 7. Ärge põletage akukassetti isegi siis, kui see on saanud tõsiselt vigastada või on täiesti kulunud. Akukassett võib tules plahvata.
 8. Olge ettevaatlik, ärge laske akul maha kukkuda ja vältige lööke.
 9. Ärge kasutage kahjustatud akut.
 10. Sisalduvatele liitium-ioonakudele võivad kohalduda ohtlike kaupade õigusaktide nõuded. Kaubanduslikul transportimisel, näiteks kolmandate poolte või transpordiettevõtete poolt, tuleb järgida pakendil ja siltidel toodud erinõudeid. Transportimiseks ettevalmistamisel on vajalik pidada nõu ohtliku materjali ekspordiga. Samuti tuleb järgida võimalike riiklike regulatsioonide üksikasjalikumaid nõudeid. Katke teibiga või varjake avatud kontaktid ja pakendage aku selliselt, et see ei saaks pakendis liikuda.
 11. Kasutuskõlbmatuks muutunud akukassetti kõrvaldamiseks eemaldage see tööriistast ja viige selleks ette nähtud kohta. Järgige kasutuskõlbmatuks muutunud aku kõrvaldamisel kohalikke eeskirju.
 12. Kasutage akusid ainult Makita heaks kiidetud toodetega. Akude paigaldamine selleks mitte ettenähtud toodetele võib põhjustada süttimist, üleäära- räst kuumust, plahvatamist või elektrolüüdi lekkimist.
 13. Kui tööriista ei kasutata pika ajaperioodi jooksul, tuleb aku tööriistast eemaldada.

HOIDKE JUHEND ALLES.

⚠️ETTEVAATUST: Kasutage ainult Makita originaalakusid. Mitte Makita originaalakude või muudetud akude kasutamine võib põhjustada akude süttimise, kehavigastuse ja kahjustuse. Samuti muudab see kehtetuks Makita tööriista ja laadija Makita garantii.

Vihjeid aku maksimaalse kasutusaja tagamise kohta

1. Laadige akukassetti enne selle täielikku tühjenemist. Kui märkate, et tööriist töötab väiksema võimsusega, peatage töö ja laadige akukassetti.
2. Ärge laadige täielikult laetud akukassetti. Ülelaadimine lühendab akude kasutusiga.
3. Laadige akukassetti toatemperatuuril 10 °C - 40 °C. Enne laadimist laske kuumenenud akukassetil maha jahtuda.
4. Kui te ei kasuta akukassetti kauem kui kuus kuud, laadige see.

FUNKTSIONAALNE KIRJELDUS

⚠ETTEVAATUST: Kandke alati hoolt selle eest, et tööriist oleks enne reguleerimist ja kontrollimist välja lülitatud ja akukassett eemaldatud.

Akukasseti paigaldamine või eemaldamine

⚠ETTEVAATUST: Lülitage tööriist alati enne akukasseti paigaldamist või eemaldamist välja.

⚠ETTEVAATUST: Akukasseti paigaldamisel või eemaldamisel tuleb tööriista ja akukassetti kindlalt paigal hoida. Kui tööriista ja akukassetti ei hoita kindlalt paigal, võivad need käest libiseda ning kahjustada tööriista ja akukassetti või põhjustada kehavigastusi.

► **Joon.1:** 1. Punane näidik 2. Nupp 3. Akukassett

Akukasseti eemaldamiseks libistage see tööriista küljest lahti, vajutades kasseti esiküljel paiknevat nuppu alla.

Akukasseti paigaldamiseks joondage akukasseti keel korpuse soonega ja libistage kassett oma kohale. Paigaldage akuadapter alati nii kaugele, et see lukustuks klõpsatusega oma kohale. Kui näete nupu ülaosas punast osa, pole kassett täielikult lukustunud.

⚠ETTEVAATUST: Paigaldage akukassett alati täies ulatuses nii, et punast osa ei jääks näha. Muidu võib adapter juhuslikult tööriistast välja kukkuda ning põhjustada teile või läheduses viibivatele isikutele vigastusi.
















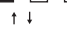
⚠ETTEVAATUST: Ärge rakendage akukasseti paigaldamisel jõudu. Kui kassett ei lähe kergesti sisse, pole see õigesti paigaldatud.

Aku jääkmahutavuse näit

Ainult näidikuga akukassettidele

► **Joon.2:** 1. Märgulambid 2. Kontrollimise nupp

Akukasseti järelejäanud mahutavuse kontrollimiseks vajutage kontrollimise nuppu. Märgulambid süttivad mõneks sekundiks.

Märgulambid			Jääkmahutavus
 Põleb	 Ei põle	 Vilgub	
			75 - 100%
			50 - 75%
			25 - 50%
			0 - 25%
			Laadige akut.
			Akul võib olla tõrge.
			

MÄRKUS: Näidatud mahutavus võib veidi erineda tegelikust mahutavusest olenevalt kasutustingimustest ja ümbritseva keskkonna temperatuurist.

Tööriista/aku kaitsesüsteem

Tööriist on varustatud tööriista või aku kaitsesüsteemiga. Süsteem lülitab mootori automaatselt välja, et pikendada tööriista ja aku tööiga. Tööriist seiskub käitamise ajal automaatselt, kui tööriista või aku kohta kehtib üks järgmistest tingimustest.

Ülekoormuskaitse

Kui akut kasutatakse viisil, mis nõuab akust tavatult palju voolu, seiskub tööriist ilma mingi näiduta. Sellises olukorras lülitage tööriist välja ja lõpetage tegevus, mis põhjustas tööriista ülekoormuse. Seejärel lülitage tööriist taaskäivitamiseks uuesti sisse.

Ülekuumenemiskaitse

Kui tööriist või aku on ülekuumenenud, peatub tööriist automaatselt ja lamp vilgub. Sellisel juhul laske tööriistal ja akul maha jahtuda, enne kui tööriista uuesti sisse lülitate.

Ülelaadimiskaitse

Kui aku jääkmahutavusest ei piisa, seiskub tööriist automaatselt. Sellisel juhul eemaldage aku tööriistast ja laadige akut.

Lüliti funktsioneerimine

⚠HOIATUS: Kontrollige alati enne akukasseti tööriista külge paigaldamist, kas lüliti päästik funktsioneerib nõuetekohaselt ja liigub lahtilaskmisel tagasi väljalülitatud asendisse.

► **Joon.3:** 1. Lüliti päästik

Tööriista käivitamiseks tuleb lihtsalt vajutada lüliti päästikut. Lüliti päästiku vabastamisel peatub tööriist ja läheb tagasi oma algasendisse.

Tööriist ei pruugi minna tagasi algasendisse järgmistel juhtudel. Tööriista tagasi algasendisse viimiseks tõmmake ja vabastage enne tööriista kasutama hakkamist lüliti päästikut.

- Tööriista esmakordsel kasutamisel.
- Pärast akukasseti vahetamist.
- Kui tööriist seiskub ülekoormuse tõttu.
- Pärast hooldamist.

Eesmise lambi süütamine

► **Joon.4:** 1. Lamp

⚠ETTEVAATUST: Ärge vaadake otse valgusesse ega valgusallikat.

Lambi süütamiseks tõmmake lüliti päästikut. Lamp põleb sel ajal, kui tõmmatakse lüliti päästikut. Lamp kustub umbes 10 sekundit pärast lüliti päästiku vabastamist.

MÄRKUS: Pühkige lamp kuiva lapiga puhtaks. Olge seda tehes ettevaatlik, et lambi läätse mitte kriimustada, sest muidu võib valgustus väheneda.

KOKKUPANEK

⚠ETTEVAATUST: Kandke alati hoolt selle eest, et tööriist oleks enne igasuguseid hooldustöid välja lülitatud ja akukassett eemaldatud.

Peamooduli paigaldamine ja eemaldamine

Peamooduli eemaldamiseks järgige allpool toodud samme.

1. Vabastage peosa mutter ja seejärel eemaldage peosa.
▶ **Joon.5:** 1. Mutter 2. Peasa
2. Lõdvendage mutrivõtmega ninaosa, hoides samal ajal teise mutrivõtmega peosast.
▶ **Joon.6:** 1. Ninaosa 2. Peasa
3. Lõdvendage mutrivõtmega lõuapära kesta, hoides samal ajal teise mutrivõtmega liitmikust.
▶ **Joon.7:** 1. Lõuapära kesta 2. Liitmik
4. Eemaldage lõuapära tõukur, vedru ja toru.
▶ **Joon.8:** 1. Lõuapära tõukur 2. Vedru 3. Toru

TÄHELEPANU: Lõuapära tõukuri paigaldamisel kinnitage kindlasti vedru lõuapära tõukuri külge.

Peamooduli paigaldamiseks tehke eemaldamistoiming vastupidises järjekorras. Kindlasti pingutage lõuapära kesta ja ninaosa kindlalt kahe mutrivõtmega.

TÖÖRIISTA KASUTAMINE

⚠ETTEVAATUST: Hoidke käsi ja nägu tööriista esiosast eemal. Neet või purustatud spindel võib kogemata välja paiskuda ja teid vigastada.

Pimeneedi paigaldamine

⚠ETTEVAATUST: Enne kui spindlipaak saab täis, tühjendage seda regulaarselt, spindlipaaki eemaldades. Muidu võib tööriist saada kahjustusi ja kahjustatud osad võivad põhjustada kehavigastusi.

⚠ETTEVAATUST: Pimeneedi ninaosasse sisestamisel peab tööriist olema kindlasti välja lülitatud. Muidu võib tööriista ots teid vigastada.

⚠ETTEVAATUST: Ärge jätke pimeneeti ninaosasse. Kui tööriist kogemata sisse lülitatakse, paiskub pimeneet välja ja võib põhjustada vigastusi.

Konks

⚠ETTEVAATUST: Tööriista konksu abil riputamisel eemaldage alati aku.

⚠ETTEVAATUST: Ärge kunagi riputage tööriista kõrgesse kohta ega ebakindlale pinnale.

⚠ETTEVAATUST: Kui kasutate tööriista riputamisel konksu, siis riputage see ettevaatlikult. Muidu võib tööriist maha kukkuda ja kehavigastusi põhjustada.

▶ **Joon.9:** 1. Soon 2. Konks 3. Krugi

Konks on mugav tööriista ajutiseks riputamiseks. Selle võib paigaldada tööriista kummalegi poole. Konksu paigaldamiseks lükake see tööriista korpuse ükskõik kummal küljel olevasse soonde ja kinnitage kruviga. Eemaldamiseks keerake kruvi lahti ja võtke välja.

Spindlimahuti paigaldamine ja eemaldamine

TÄHELEPANU: Enne tööriista kasutamist tuleb kindlasti paigaldada spindlipaak. Kui spindlipaak on tööriista külge kinnitamata, siis tööriist ei tööta.

Spindlipaagi eemaldamiseks keerake seda vastupäeva. Spindlipaagi paigaldamiseks keerake seda päripäeva.

▶ **Joon.10:** 1. Spindlipaak

TÄHELEPANU: Pärast pimeneedi paigaldamist väljastage katkine spindel tööriista tahapoole kallutades kindlasti spindlipaaki enne, kui hakate järgmist pimeneeti paigaldama. Kui katkise spindli ots paistab ninaosast välja, lülitage tööriist välja ja eemaldage spindel. Muidu võivad katkised spindlid põhjustada ummistust ja tööriista tõrget.

1. Sisestage pimeneet ninaosasse.

▶ **Joon.11:** 1. Pimeneet 2. Ninaosa

2. Vajutage tööriista otsakut töödeldava detaili vastu ja seejärel tõmmake lüliti päästikut. Pärast spindli äramurdumist vabastage lüliti päästik.

▶ **Joon.12**

Enne kui spindlipaak saab täis, tühjendage seda regulaarselt, spindlipaaki eemaldades.

Saadaval pimeneedid

TÄHELEPANU: Mittesobiva ninaosa, lõuapära, lõuapära tõukuri või toru kasutamine, mis ei ühti südamiku läbimõõduga, võib põhjustada nõrga kinnituse, südamiku ummistumise või tööriista tõrke.

Sobivad neetide, ninaosa, lõuapära, lõuapära tõukuri ja toru kombinatsioonid leiate alltoodud tabelist.

MÄRKUS: Mõned tabelis olevad esemed võivad olla tööriistakomplektist põhivarustusena ja mõned lisavarustusena. Need võivad riigiti erineda.

Model DRV150

Neet		Ninaosa		Lõuapäräl olev tähis	Lõuapära tõukur		Toru	
Suurus	Südamiku läbimõõt	Ninaosal olev tähis	Ava läbimõõt		Ava läbimõõt	Värv	Ava läbimõõt	Värv
ø2,4 mm (3/32")	ø1,4–1,6 mm	2.4	ø1,9 mm	4.8	ø1,9 mm	Hall	ø2,2 mm	Hõbe
ø3,2 mm (1/8")	ø1,8–2,1 mm	3.2	ø2,4 mm	4.8	ø2,5 mm	Must	ø2,6 mm	Must
ø4,0 mm (5/32")	ø2,2–2,6 mm	4.0	ø3,0 mm	4.8	ø3,1 mm	Hall	Puudub *	–
ø4,8 mm (3/16")	ø2,6–3,2 mm	4.8	ø3,6 mm	4.8	ø3,6 mm	Must	Puudub *	–

*. Toru ei ole töötamiseks vajalik.

Model DRV250

Neet		Ninaosa		Lõuapäräl olev tähis	Lõuapära tõukur		Toru	
Suurus	Südamiku läbimõõt	Ninaosal olev tähis	Ava läbimõõt		Ava läbimõõt	Värv	Ava läbimõõt	Värv
ø2,4 mm (3/32")	ø1,4–1,6 mm	2.4	ø1,9 mm	4.8	ø1,9 mm	Hall	ø2,2 mm	Hõbe
ø3,2 mm (1/8")	ø1,8–2,1 mm	3.2	ø2,4 mm	4.8	ø2,5 mm	Must	ø2,6 mm	Must
ø4,0 mm (5/32")	ø2,2–2,6 mm	4.0	ø3,0 mm	4.8	ø3,1 mm	Hall	ø3,4 mm	Hõbe
ø4,8 mm (3/16")	ø2,6–3,2 mm	4.8	ø3,6 mm	4.8 või 6.4	ø3,6 mm	Must	ø4,1 mm	Must
ø6,0 mm (1/4") *	ø3,1–3,5 mm	6.0	ø4,0 mm	6.4	ø4,0 mm	Hall	ø4,1 mm	Must
ø6,4 mm (1/4") *	ø3,5–3,9 mm	6.4	ø4,4 mm	6.4	ø4,6 mm	Must	ø4,5 mm	Hõbe

*. Roostevabast terasest neet ei ole saadaval.

HOOLDUS

⚠ETTEVAATUST: Enne kontroll- või hooldustoimingute tegemist kandke alati hoolt selle eest, et tööriist oleks välja lülitatud ja akukassett korpuse küljest eemaldatud.

TÄHELEPANU: Ärge kunagi kasutage bensiini, vedeldit, alkoholi ega midagi muud sarnast. Selle tulemuseks võib olla luitumine, deformatsioon või pragunemine.

Toote OHUTUSE ja TÖÖKINDLUSE tagamiseks tuleb vajalikud remonttööd ning muud hooldus- ja reguleerimistööd lasta teha Makita volitatud teeninduskeskustes või tehase teeninduskeskustes. Alati tuleb kasutada Makita varuosi.

Lõuapärade ja lõuapära kesta puhastamine

Puhastamise intervall: Iga 3 000 needi paigaldamise järel Kogunenud tolm halvendab lõuapärade liikumist ning võib kiirendada lõuapärade ja lõuapära kesta kulumist. Lõuapärade ja lõuapära kesta puhastamiseks tehke läbi järgmised etapid.

- Eemaldage lõuapära kest. Eemaldamistoimingu kohta vaadake peamooduli eemaldamise juhiste osa.
- Eemaldage lõuapärad lõuapära kestat.
 - ▶ **Joon.13:** 1. Lõuapära kesta 2. Lõuapära
- Puhastage lõuapärad ja lõuapära kest harjaga. Eemaldage lõuapärade hammaste vahele jäänud metallipuru.
- Määrige ühtlaselt lõuapära kesta välispiirkonna siseküljele molübdeen-disulfiidipõhist määrdeõli.
 - ▶ **Joon.14:** 1. Piirkond, millele määrada määrdeõli 2. Lõuapära kesta

5. Sisestage lõuapärad lõuapära kesta.

► **Joon.15:** 1. Lõuapära 2. Lõuapära kesta

TÄHELEPANU: Lõuapärade paigaldamisel veenduge, et lõuapärade otsad oleks joondatud.

6. Paigaldage lõuapära kesta. Kui määrdõli on sattunud lõuapärade otstesse, pühkige määrdõli kuiva lapiga ära.

► **Joon.16:** 1. Piirkond, kuhu määrdõli ei tohiks sattuda 2. Lõuapära

7. Paigaldage peamoodul.

8. Pühkige lõuapärad määrdõlist puhtaks.

Sisestage neet ninaossa, seejärel liigutage seda üles ja alla, vasakule ja paremale, eemaldage ninaosa ja puhastage neet kuiva lapiga määrdõlist puhtaks. Korrake sama protseduuri kaks või kolm korda.

TÄHELEPANU: Kui määrdõli on sattunud lõuapära otsa või sisse, võivad need töötamise ajal libisema hakata.

Lõuapärade asendamine lõuapära kestas

Kui lõuapära kestas olevad lõuapärad on kulunud, asendage need uutega. Lõuapärade asendamiseks järgige sama protseduuri mis lõuapärade ja lõuapära kesta puhastamise puhul. Kasutage lõuapärade sisetamisel lõuapära kesta uusi lõuapärasid.

Kinnikiilunud neetide eemaldamine

Kui neet on tööriista sisse kinni jäänud, eemaldage see mõne tööriistaga, nt tangidega. Kui kinnikiilunud needi eemaldamine on raske, asendage lõuapära tõukur või toru uuega. Asendustoimingu kohta vaadake peamooduli paigaldamise või eemaldamise juhendit.

VALIKULISED TARIKUD

⚠ETTEVAATUST: Neid tarvikuid ja lisaseadiseid on soovitatav kasutada koos Makita tööriistaga, mille kasutamist selles kasutusjuhendis kirjeldatakse. Muude tarvikute ja lisaseadiste kasutamisega kaasneb vigastada saamise oht. Kasutage tarvikuid ja lisaseadiseid ainult otstarbekohaselt.

Saate vajaduse korral kohalikust Makita teeninduskeskusest lisateavet nende tarvikute kohta.

- Ninaosa
- Lõuapära tõukur
- Lõuapära
- Toru
- Määrimine
- Makita algupärane aku ja laadija

MÄRKUS: Mõned nimekirjas loetletud tarvikud võivad kuuluda standardvarustusse ning need on lisatud tööriista pakendisse. Need võivad riigiti erineda.

ТЕХНИЧЕСКИЕ ХАРАКТЕРИСТИКИ

Модель:	DRV150	DRV250
Тяговое усилие	10 кН	20 кН
Ход поршня	25 мм	30 мм
Общая длина	313 мм	323 мм
Номинальное напряжение	18 В пост. тока	
Масса нетто	1,9 – 2,2 кг	2,1 – 2,4 кг

- Благодаря нашей постоянно действующей программе исследований и разработок указанные здесь технические характеристики могут быть изменены без предварительного уведомления.
- Технические характеристики могут различаться в зависимости от страны.
- Масса может отличаться в зависимости от дополнительного оборудования. Обратите внимание, что блок аккумулятора также считается дополнительным оборудованием. В таблице представлены комбинации с наибольшим и наименьшим весом в соответствии с процедурой EPTA 01/2014.

Подходящий блок аккумулятора и зарядное устройство

Блок аккумулятора	BL1815N / BL1820 / BL1820B / BL1830 / BL1830B / BL1840 / BL1840B / BL1850 / BL1850B / BL1860B
Зарядное устройство	DC18RC / DC18RD / DC18RE / DC18SD / DC18SE / DC18SF / DC18SH

- В зависимости от региона проживания некоторые блоки аккумуляторов и зарядные устройства, перечисленные выше, могут быть недоступны.

⚠ ОСТОРОЖНО: Используйте только перечисленные выше блоки аккумуляторов и зарядные устройства. Использование других блоков аккумуляторов и зарядных устройств может привести к травме и/или пожару.

Назначение

Данный инструмент предназначен для установки глухих заклепок.

Шум

Типичный уровень взвешенного звукового давления (A), измеренный в соответствии с EN62841-1:

Модель DRV150

Уровень звукового давления (L_{pA}): 75 дБ (A)

Погрешность (K): 3 дБ (A)

Модель DRV250

Уровень звукового давления (L_{pA}): 74 дБ (A)

Погрешность (K): 3 дБ (A)

Уровень шума при выполнении работ может превышать 80 дБ (A).

ПРИМЕЧАНИЕ: Заявленное значение распространения шума измерено в соответствии со стандартной методикой испытаний и может быть использовано для сравнения инструментов.

ПРИМЕЧАНИЕ: Заявленное значение распространения шума можно также использовать для предварительных оценок воздействия.

⚠ ОСТОРОЖНО: Используйте средства защиты слуха.

⚠ ОСТОРОЖНО: Распространение шума во время фактического использования электроинструмента может отличаться от заявленного значения в зависимости от способа применения инструмента и в особенности от типа обрабатываемой детали.

⚠ ОСТОРОЖНО: Обязательно определите меры безопасности для защиты оператора, основанные на оценке воздействия в реальных условиях использования (с учетом всех этапов рабочего цикла, таких как выключение инструмента, работа без нагрузки и включение).

Вибрация

Суммарное значение вибрации (сумма векторов по трем осям), определенное в соответствии с EN62841-1:

Модель DRV150

Рабочий режим: установка глухих заклепок

Распространение вибрации (a_{h1}): 2,5 м/с² или менее

Погрешность (K): 1,5 м/с²

Модель DRV250

Рабочий режим: установка глухих заклепок

Распространение вибрации (a_{h1}): 2,5 м/с² или менее

Погрешность (K): 1,5 м/с²

ПРИМЕЧАНИЕ: Заявленное общее значение распространения вибрации измерено в соответствии со стандартной методикой испытаний и может быть использовано для сравнения инструментов.

ПРИМЕЧАНИЕ: Заявленное общее значение распространения вибрации можно также использовать для предварительных оценок воздействия.

⚠ОСТОРОЖНО: Распространение вибрации во время фактического использования электроинструмента может отличаться от заявленного значения в зависимости от способа применения инструмента и в особенности от типа обрабатываемой детали.

⚠ОСТОРОЖНО: Обязательно определите меры безопасности для защиты оператора, основанные на оценке воздействия в реальных условиях использования (с учетом всех этапов рабочего цикла, таких как выключение инструмента, работа без нагрузки и включение).

Декларация о соответствии ЕС

Только для европейских стран

Декларация о соответствии ЕС включена в руководство по эксплуатации (Приложение А).

МЕРЫ БЕЗОПАСНОСТИ

Общие рекомендации по технике безопасности для электроинструментов

⚠ОСТОРОЖНО: Ознакомьтесь со всеми представленными инструкциями по технике безопасности, указаниями, иллюстрациями и техническими характеристиками, прилагаемыми к данному электроинструменту. Несоблюдение каких-либо инструкций, указанных ниже, может привести к поражению электрическим током, пожару и/или серьезной травме.

Сохраните брошюру с инструкциями и рекомендациями для дальнейшего использования.

Термин "электроинструмент" в предупреждениях относится ко всему инструменту, работающему от сети (с проводом) или на аккумуляторах (без провода).

Правила техники безопасности при использовании аккумуляторного заклепочного пистолета

1. Крепко держите инструмент.
2. Держите руки на безопасном расстоянии от движущихся частей инструмента.
3. При выполнении работ всегда занимайте устойчивое положение. При использовании инструмента на высоте убедитесь в отсутствии людей внизу.

4. Будьте осторожны, чтобы не допустить падения отломанного стержня заклепки с большой высоты. Нарушение этого требования может стать причиной несчастного случая или травмы.
5. Не разбрасывайте отломанные стержни по полу. Вы можете травмироваться об острый конец отломанного стержня или поскользнуться на нем.
6. Во время работы с инструментом не направляйте его на себя или находящихся рядом людей. Заклепка или отломанный стержень могут случайно отлететь, что приведет к травме.

Важные правила техники безопасности для работы с аккумуляторным блоком

1. Перед использованием аккумуляторного блока прочитайте все инструкции и предупреждающие надписи на (1) зарядном устройстве, (2) аккумуляторном блоке и (3) инструменте, работающем от аккумуляторного блока.
2. Не разбирайте аккумуляторный блок.
3. Если время работы аккумуляторного блока значительно сократилось, немедленно прекратите работу. В противном случае, может возникнуть перегрев блока, что приведет к ожогам и даже к взрыву.
4. В случае попадания электролита в глаза промойте их обильным количеством чистой воды и немедленно обратитесь к врачу. Это может привести к потере зрения.
5. Не замыкайте контакты аккумуляторного блока между собой:
 - (1) Не прикасайтесь к контактам какими-либо токопроводящими предметами.
 - (2) Не храните аккумуляторный блок в контейнере вместе с другими металлическими предметами, такими как гвозди, монеты и т. п.
 - (3) Не допускайте попадания на аккумуляторный блок воды или дождя.Замыкание контактов аккумуляторного блока между собой может привести к возникновению большого тока, перегреву, возможному ожогу и даже поломке блока.
6. Не храните инструмент и аккумуляторный блок в местах, где температура может достигать или превышать 50 °C (122 °F).
7. Не бросайте аккумуляторный блок в огонь, даже если он сильно поврежден или полностью вышел из строя. Аккумуляторный блок может взорваться под действием огня.
8. Не роняйте и не ударяйте аккумуляторный блок.
9. Не используйте поврежденный аккумуляторный блок.
10. Входящие в комплект литий-ионные аккумуляторы должны эксплуатироваться в соответствии с требованиями законодательства об опасных товарах.

При коммерческой транспортировке, например, третьей стороной или экспедитором, необходимо нанести на упаковку специальные предупреждения и маркировку.

В процессе подготовки устройства к отправке обязательно проконсультируйтесь со специалистом по опасным материалам. Также соблюдайте местные требования и нормы. Они могут быть строже.

Закройте или закрепите разомкнутые контакты и упакуйте аккумулятор так, чтобы он не перемещался по упаковке.

- Для утилизации блока аккумулятора извлеките его из инструмента и утилизируйте безопасным способом. Выполняйте требования местного законодательства по утилизации аккумуляторного блока.
- Используйте аккумуляторы только с продукцией, указанной Makita. Установка аккумуляторов на продукцию, не соответствующую требованиям, может привести к пожару, перегреву, взрыву или утечке электролита.
- Если инструментом не будут пользоваться в течение длительного периода времени, извлеките аккумулятор из инструмента.

СОХРАНИТЕ ДАННЫЕ ИНСТРУКЦИИ.

ВНИМАНИЕ: Используйте только фирменные аккумуляторные батареи Makita.

Использование аккумуляторных батарей, не произведенных Makita, или батарей, которые были подвергнуты модификациям, может привести к взрыву аккумулятора, пожару, травмам и повреждению имущества. Это также автоматически аннулирует гарантию Makita на инструмент и зарядное устройство Makita.

Советы по обеспечению максимального срока службы аккумулятора

- Заряжайте блок аккумуляторов перед его полной разрядкой. Обязательно прекратите работу с инструментом и зарядите блок аккумуляторов, если вы заметили снижение мощности инструмента.
- Никогда не подзаряжайте полностью заряженный блок аккумуляторов. Перезарядка сокращает срок службы аккумулятора.
- Заряжайте блок аккумуляторов при комнатной температуре в 10 - 40 °C (50 - 104 °F). Перед зарядкой горячего блока аккумуляторов дайте ему остыть.
- Зарядите ионно-литиевый аккумуляторный блок, если вы не будете пользоваться инструментом длительное время (более шести месяцев).

ОПИСАНИЕ РАБОТЫ

ВНИМАНИЕ: Перед регулировкой или проверкой функций инструмента обязательно убедитесь, что он выключен и его аккумуляторный блок снят.

Установка или снятие блока аккумуляторов

ВНИМАНИЕ: Обязательно выключайте инструмент перед установкой и извлечением аккумуляторного блока.

ВНИМАНИЕ: При установке и извлечении аккумуляторного блока крепко удерживайте инструмент и аккумуляторный блок. Если не соблюдать это требование, они могут выскользнуть из рук, что приведет к повреждению инструмента, аккумуляторного блока и травмированию оператора.

► Рис.1: 1. Красный индикатор 2. Кнопка 3. Блок аккумулятора

Для снятия аккумуляторного блока нажмите кнопку на лицевой стороне и извлеките блок.

Для установки аккумуляторного блока совместите выступ аккумуляторного блока с пазом в корпусе и задвиньте его на место. Устанавливайте блок до упора так, чтобы он зафиксировался на месте с небольшим щелчком. Если вы можете видеть красный индикатор на верхней части клавиши, адаптер аккумулятора не полностью установлен на месте.

ВНИМАНИЕ: Обязательно устанавливайте аккумуляторный блок до конца, чтобы красный индикатор не был виден. В противном случае аккумуляторный блок может выпасть из инструмента и нанести травму вам или другим людям.

ВНИМАНИЕ: Не прилагайте чрезмерных усилий при установке аккумуляторного блока. Если блок не двигается свободно, значит он вставлен неправильно.

Индикация оставшегося заряда аккумулятора

Только для блоков аккумулятора с индикатором

► Рис.2: 1. Индикаторы 2. Кнопка проверки

Нажмите кнопку проверки на аккумуляторном блоке для проверки заряда. Индикаторы загорятся на несколько секунд.

Индикаторы			Уровень заряда
Горит	Выкл.	Мигает	
■	□	▧	от 75 до 100%
■	■	□	от 50 до 75%
■	□	□	от 25 до 50%
■	□	□	от 0 до 25%

Индикаторы			Уровень заряда
Горит	Выкл.	Мигает	
			Зарядите аккумуляторную батарею.
			Возможно, аккумуляторная батарея неисправна.

ПРИМЕЧАНИЕ: В зависимости от условий эксплуатации и температуры окружающего воздуха индикация может незначительно отличаться от фактического значения.

Система защиты инструмента/аккумулятора

На инструменте предусмотрена система защиты инструмента/аккумулятора. Она автоматически отключает питание двигателя для продления срока службы инструмента и аккумулятора. Инструмент автоматически остановится во время работы в следующих случаях:

Защита от перегрузки

Если из-за способа эксплуатации аккумулятор потребляет очень большое количество тока, он автоматически остановится без включения каких-либо индикаторов. В этом случае выключите инструмент и прекратите работу, повлекшую перегрузку инструмента. Затем включите инструмент для перезапуска.

Защита от перегрева

При перегреве инструмента или аккумулятора инструмент автоматически останавливается, подсветка начинает мигать. В этом случае дайте инструменту/аккумулятору остыть перед повторным включением.

Защита от переразрядки

При истощении заряда аккумулятора инструмент автоматически останавливается. В этом случае извлеките аккумулятор из инструмента и зарядите его.

Действие выключателя

⚠ОСТОРОЖНО: Перед установкой аккумуляторного блока в инструмент обязательно убедитесь, что его триггерный переключатель нормально работает и возвращается в положение "OFF" (ВЫКЛ) при отпускании.

► **Рис.3:** 1. Триггерный переключатель

Для запуска инструмента достаточно нажать триггерный переключатель. Если отпустить триггерный переключатель, инструмент остановится и вернется в исходное положение.

Инструмент может не находиться в исходном положении в указанных далее случаях. Перед началом работы с инструментом верните его в исходное положение, потянув и отпустив триггерный переключатель.

- В случае использования инструмента в первый раз.
- После замены блока аккумулятора.
- В случае остановки инструмента из-за перегрузки.
- После выполнения технического обслуживания.

Включение передней лампы

► **Рис.4:** 1. Лампа

⚠ВНИМАНИЕ: Не смотрите непосредственно на свет или источник света.

Лампа продолжает гореть, пока нажат триггерный переключатель. Лампа будет светиться до тех пор, пока нажат триггерный переключатель. Лампа гаснет примерно через 10 секунд после отпускания триггерного переключателя.

ПРИМЕЧАНИЕ: Для удаления пыли с линзы лампы используйте сухую ткань. Не допускайте возникновения царапин на линзе лампы, так как это приведет к снижению освещенности.

СБОРКА

⚠ВНИМАНИЕ: Перед проведением каких-либо работ с инструментом обязательно убедитесь, что инструмент отключен, а блок аккумулятора снят.

Установка и снятие головки в сборе

Чтобы снять головку, выполните описанные ниже действия.

1. Отвинтите гайку головки и снимите головку.

► **Рис.5:** 1. Гайка 2. Головка

2. С помощью гаечного ключа отвинтите наконечник, удерживая головку другим ключом.

► **Рис.6:** 1. Наконечник 2. Головка

3. С помощью гаечного ключа ослабьте зажимной патрон, другим ключом удерживая соединительную муфту.

► **Рис.7:** 1. Зажимной патрон 2. Соединительная муфта

4. Удалите толкатель зажима, пружину и трубку.

► **Рис.8:** 1. Толкатель губок 2. Пружина 3. Трубка

ПРИМЕЧАНИЕ: При установке толкателя губок не забудьте присоединить к толкателю пружину.

Для установки головки в сборе выполните операции по снятию в обратной последовательности. Не забудьте надежно затянуть зажимной патрон и наконечник, используя два ключа.

Крючок

ВНИМАНИЕ: Всегда извлекайте аккумулятор при подвешивании инструмента за крючок.

ВНИМАНИЕ: Никогда не вешайте инструмент на высоте или на потенциально неустойчивой поверхности.

ВНИМАНИЕ: Соблюдайте осторожность при подвешивании инструмента за крючок. Несоблюдение этого требования может привести к падению инструмента и травмам.

► **Рис.9:** 1. Паз 2. Крючок 3. Винт

Крючок удобен для временного подвешивания инструмента. Он может быть установлен с любой стороны инструмента.

Для установки крючка вставьте его в паз в корпусе инструмента с одной из сторон и закрепите при помощи винта. Для снятия ослабьте винт и извлеките ее.

Установка и снятие контейнера для стержней заклепок

ПРИМЕЧАНИЕ: Прежде чем приступить к работе, не забудьте установить на инструмент контейнер для стержней заклепок. Без установленного контейнера для стержней заклепок инструмент работать не будет.

Чтобы снять контейнер для стержней заклепок, поверните его против часовой стрелки. Чтобы установить контейнер для стержней заклепок, вращайте его по часовой стрелке.

► **Рис.10:** 1. Контейнер для стержней заклепок

ЭКСПЛУАТАЦИЯ

ВНИМАНИЕ: Не приближайте переднюю часть инструмента к лицу или рукам. Заклепка или отломанный стержень могут случайно отлететь, что приведет к травме.

Установка глухой заклепки

ВНИМАНИЕ: Регулярно снимайте и опорожняйте контейнер для стержней заклепок, не дожидаясь, пока он заполнится. Несоблюдение этого требования может привести к повреждению инструмента и нанесению травмы поврежденными частями инструмента.

ВНИМАНИЕ: Вставляя глухую заклепку в наконечник, не забудьте предварительно выключить инструмент. В случае несоблюдения этого требования наконечник может нанести травму.

ВНИМАНИЕ: Не оставляйте глухую заклепку в наконечнике. При случайном включении инструмента глухая заклепка может отлететь и нанести травму.

ПРИМЕЧАНИЕ: После установки глухой заклепки отломанный стержень следует выбросить в предназначенный для этого контейнер (наклонив инструмент назад), прежде чем устанавливать следующую глухую заклепку. Если конец отломанного стержня торчит из наконечника, выключите инструмент и извлеките стержень. В противном случае отломанные стержни могут застрять и привести к поломке инструмента.

1. Вставьте глухую заклепку в наконечник.

► **Рис.11:** 1. Глухая заклепка 2. Наконечник

2. Для включения инструмента прижмите наконечник к заготовке и нажмите триггерный переключатель. После того как стержень заклепки отломается, отпустите триггерный переключатель.

► **Рис.12**

Регулярно снимайте и опорожняйте контейнер для стержней заклепок, не дожидаясь, пока он заполнится.

Допустимые типы глухих заклепок

ПРИМЕЧАНИЕ: Использование наконечников, зажимов, толкателей зажимов или трубок, диаметр которых не соответствует диаметру крепежной оправки, может стать причиной ненадежного крепления, засорения крепежной оправки и неисправности инструмента.

Допустимые сочетания заклепок, наконечников, зажимов, толкателей зажимов и трубок приведены в таблице ниже.

ПРИМЕЧАНИЕ: Некоторые из указанных в таблице изделий могут входить в комплект поставки инструмента как стандартные принадлежности, а остальные можно приобрести отдельно. Они могут различаться в зависимости от страны.

Для DRV150

Заклепка		Наконечник		Маркировка губок	Толкатель губок		Трубка	
Диаметр	Диаметр стержня заклепки	Обозначение на наконечнике	Диаметр отверстия		Диаметр отверстия	Цвет	Диаметр отверстия	Цвет
ø2,4 мм (3/32 дюйма)	ø1,4–1,6 мм	2.4	ø1,9 мм	4.8	ø1,9 мм	Серый	ø2,2 мм	Серебристый
ø3,2 мм (1/8 дюйма)	ø1,8–2,1 мм	3.2	ø2,4 мм	4.8	ø2,5 мм	Черный	ø2,6 мм	Черный
ø4,0 мм (5/32 дюйма)	ø2,2–2,6 мм	4.0	ø3,0 мм	4.8	ø3,1 мм	Серый	Отсутствует*	–
ø4,8 мм (3/16 дюйма)	ø2,6–3,2 мм	4.8	ø3,6 мм	4.8	ø3,6 мм	Черный	Отсутствует*	–

*. Использовать трубку для работы не обязательно.

Для DRV250

Заклепка		Наконечник		Маркировка губок	Толкатель губок		Трубка	
Диаметр	Диаметр стержня заклепки	Обозначение на наконечнике	Диаметр отверстия		Диаметр отверстия	Цвет	Диаметр отверстия	Цвет
ø2,4 мм (3/32 дюйма)	ø1,4–1,6 мм	2.4	ø1,9 мм	4.8	ø1,9 мм	Серый	ø2,2 мм	Серебристый
ø3,2 мм (1/8 дюйма)	ø1,8–2,1 мм	3.2	ø2,4 мм	4.8	ø2,5 мм	Черный	ø2,6 мм	Черный
ø4,0 мм (5/32 дюйма)	ø2,2–2,6 мм	4.0	ø3,0 мм	4.8	ø3,1 мм	Серый	ø3,4 мм	Серебристый
ø4,8 мм (3/16 дюйма)	ø2,6–3,2 мм	4.8	ø3,6 мм	4.8 или 6.4	ø3,6 мм	Черный	ø4,1 мм	Черный
ø6,0 мм (1/4 дюйма)*	ø3,1–3,5 мм	6.0	ø4,0 мм	6.4	ø4,0 мм	Серый	ø4,1 мм	Черный
ø6,4 мм (1/4 дюйма)*	ø3,5–3,9 мм	6.4	ø4,4 мм	6.4	ø4,6 мм	Черный	ø4,5 мм	Серебристый

*. Заклепка из нержавеющей стали отсутствует.

ОБСЛУЖИВАНИЕ

ВНИМАНИЕ: Перед проведением проверки или работ по техобслуживанию всегда проверяйте, что инструмент выключен, а блок аккумулятора снят.

ПРИМЕЧАНИЕ: Запрещается использовать бензин, растворители, спирт и другие подобные жидкости. Это может привести к обесцвечиванию, деформации и трещинам.

Для обеспечения БЕЗОПАСНОСТИ и НАДЕЖНОСТИ оборудования ремонт, любое другое техобслуживание или регулировку необходимо производить в уполномоченных сервис-центрах Makita или сервис-центрах предприятия с использованием только сменных частей производства Makita.

Очистка губок и зажимных патронов

Интервал очистки: через каждые 3 000 установленных заклепок.

Скопившаяся пыль может ухудшать движение губок и ускорять износ зажимов и зажимного патрона. Процедура очистки губок и зажимных патронов описана ниже.

1. Снимите зажимной патрон. Чтобы снять патрон, следуйте инструкциям по удалению головки в сборе.
2. Извлеките губки из зажимного патрона.
► **Рис.13:** 1. Зажимной патрон 2. Губка
3. Очистите губки и зажимной патрон щеткой. Удалите мелкую металлическую стружку между зубцами губок.
4. Равномерно нанесите на внутренний край зажимного патрона смазку на основе дисульфида молибдена.
► **Рис.14:** 1. Зона для нанесения смазки 2. Зажимной патрон
5. Установите губки в зажимной патрон.
► **Рис.15:** 1. Губка 2. Зажимной патрон

ПРИМЕЧАНИЕ: При установке губок следует совместить их кончики.

6. Установите зажимной патрон. Если к кончикам губок прилипла смазка, удалите ее сухой тряпкой.
► **Рис.16:** 1. Зона, куда не следует наносить смазку 2. Губка
7. Установите головку в сборе.
8. Вытрите смазку с губок.

Вставьте заклепку в наконечник, сдвиньте ее вверх-вниз и влево-вправо, после чего извлеките ее из наконечника и вытрите смазку с заклепки сухой тряпкой. Повторите эту процедуру дважды или 3 раза.

ПРИМЕЧАНИЕ: Если смазка прилипла к губкам или к их внутренним частям, губки могут проскальзывать во время работы.

Замена губок в зажимном патроне

В случае износа губок в зажимном патроне их следует заменить новыми. Замену губок выполняйте по той же процедуре, что и очистку губок и зажимного патрона. Устанавливайте в зажимной патрон только новые губки.

Извлечение застрявших заклепок

Если заклепка застряла в инструменте, удалите ее, например шпилькой. Если удалить застрявшую заклепку не удастся, замените толкатель губок или трубку. При замене следуйте инструкциям по установке и удалению головки в сборе.

ДОПОЛНИТЕЛЬНЫЕ ПРИНАДЛЕЖНОСТИ

ВНИМАНИЕ: Данные принадлежности или приспособления рекомендуются для использования с инструментом Makita, указанным в настоящем руководстве. Использование других принадлежностей или приспособлений может привести к получению травмы. Используйте принадлежность или приспособление только по указанному назначению.

Если вам необходимо содействие в получении дополнительной информации по этим принадлежностям, свяжитесь с вашим сервис-центром Makita.

- Наконечник
- Толкатель губок
- Губка
- Трубка
- Смазка
- Оригинальный аккумулятор и зарядное устройство Makita

ПРИМЕЧАНИЕ: Некоторые элементы списка могут входить в комплект инструмента в качестве стандартных приспособлений. Они могут отличаться в зависимости от страны.

Makita Europe N.V. Jan-Baptist Vinkstraat 2,
3070 Kortenberg, Belgium

Makita Corporation 3-11-8, Sumiyoshi-cho,
Anjo, Aichi 446-8502 Japan

www.makita.com

885691-981
EN, SV, NO, FI, LV,
LT, ET, RU
20190715