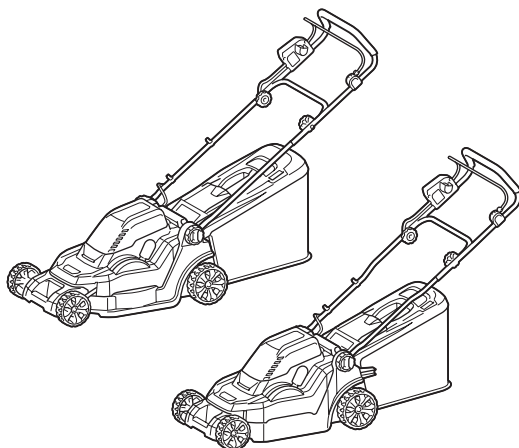




| | | | |
|----|-----------------------------------|-----------------------------|----|
| EN | Cordless Lawn Mower | INSTRUCTION MANUAL | 7 |
| SV | Batteridrivnen gräsklippare | BRUKSANVISNING | 16 |
| NO | Batteridrevet gressklipper | BRUKSANVISNING | 25 |
| FI | Akkukäyttöinen ruohonleikkuri | KÄYTTÖOHJE | 34 |
| LV | Bezvada zāles pļaujmašīna | LIETOŠANAS INSTRUKCIJA | 43 |
| LT | Belaidė vejapjovė | NAUDOJIMO INSTRUKCIJA | 52 |
| ET | Akutoitega elektriline muruniiduk | KASUTUSJUHEND | 61 |
| RU | Акумуляторная Газонокосилка | РУКОВОДСТВО ПО ЭКСПЛУАТАЦИИ | 70 |

DLM382
DLM432



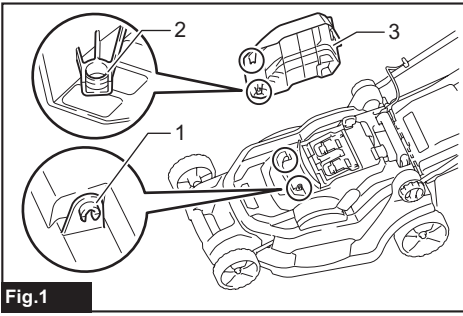


Fig.1

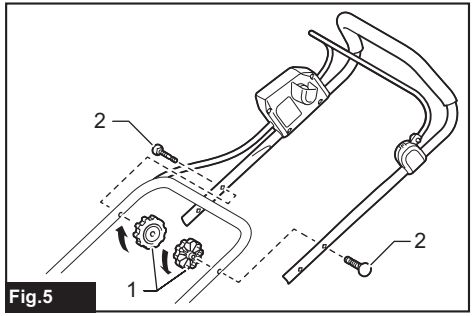


Fig.5

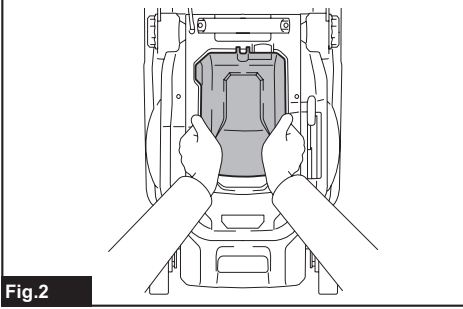


Fig.2

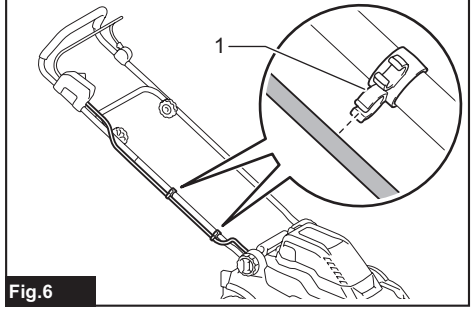


Fig.6

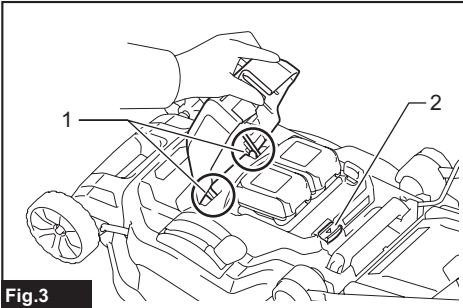


Fig.3

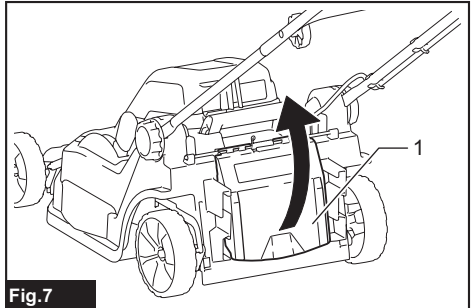


Fig.7

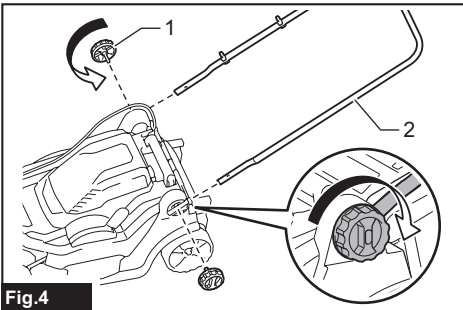


Fig.4

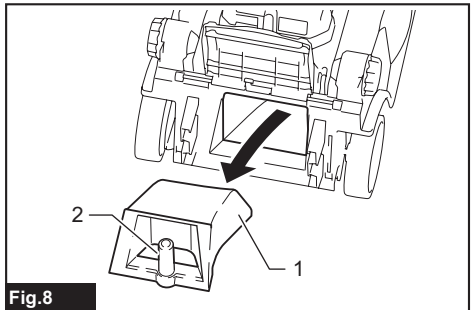


Fig.8

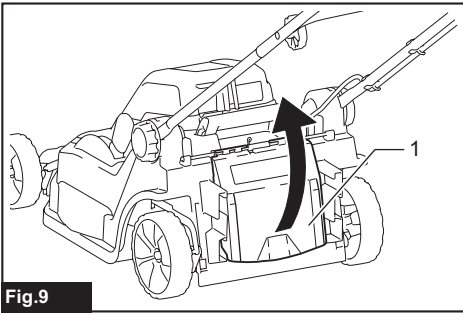


Fig.9

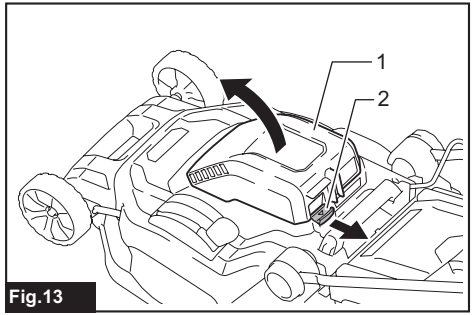


Fig.13

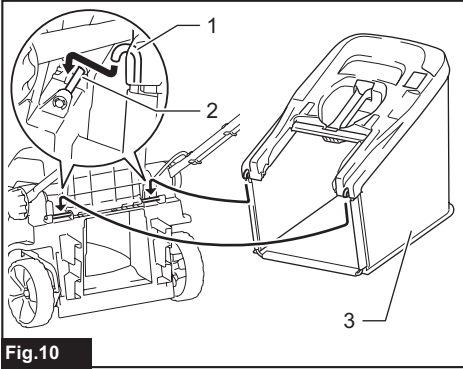


Fig.10

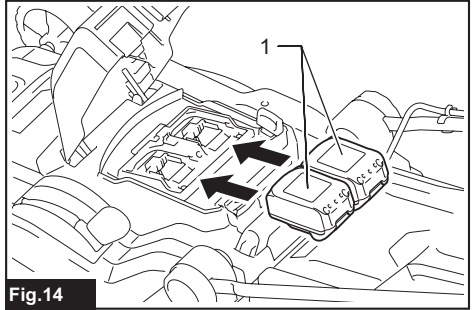


Fig.14

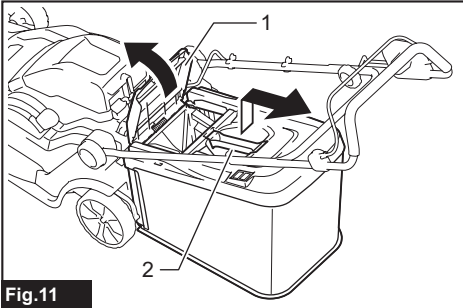


Fig.11

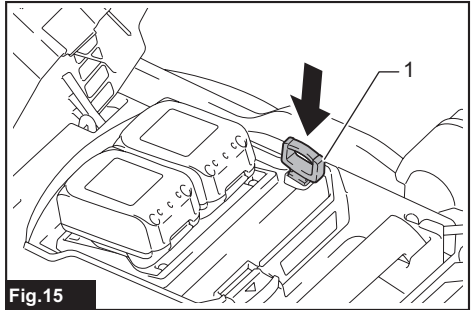


Fig.15

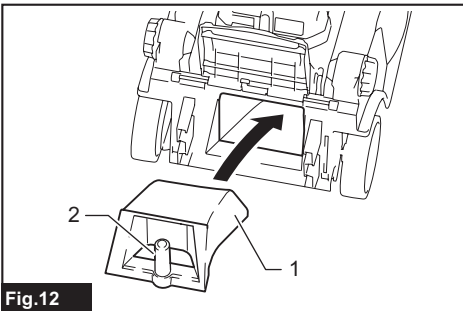


Fig.12

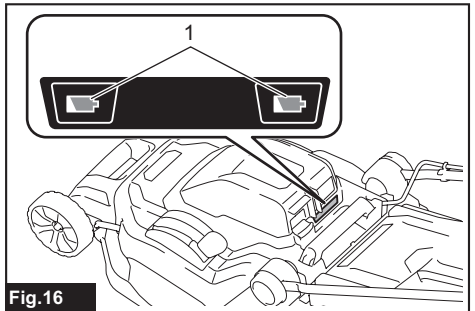


Fig.16

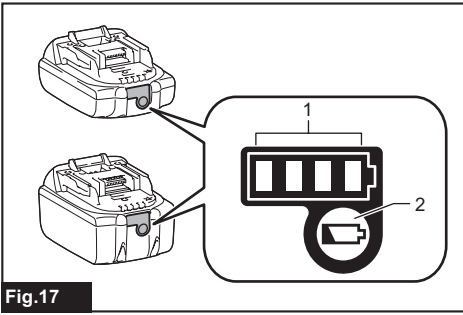


Fig.17

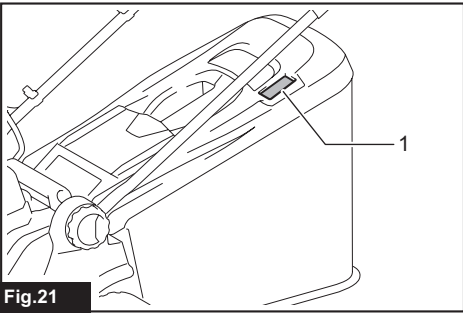


Fig.21

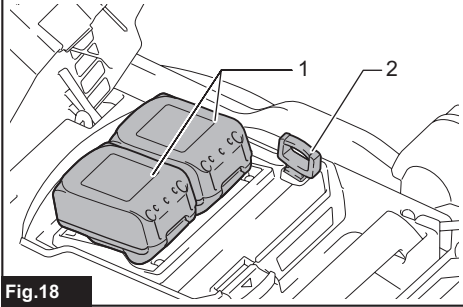


Fig.18

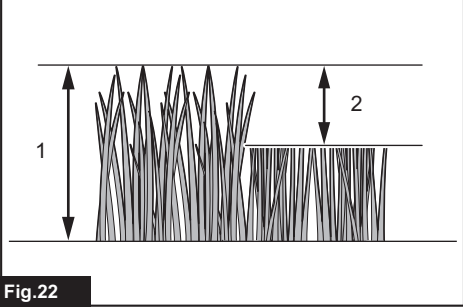


Fig.22

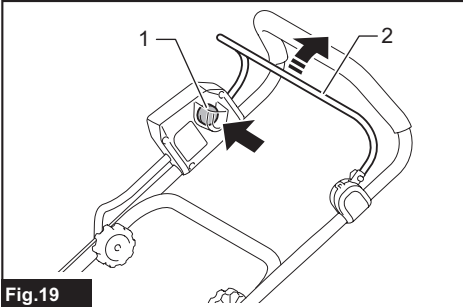


Fig.19



Fig.23

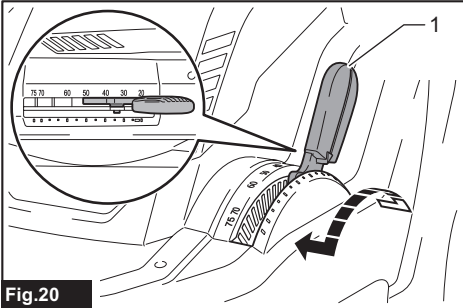


Fig.20

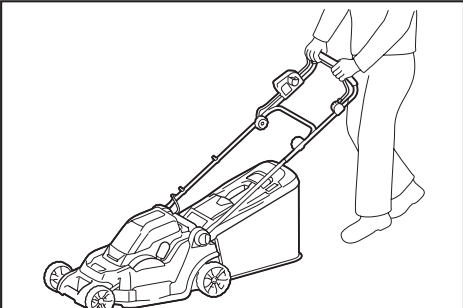


Fig.24

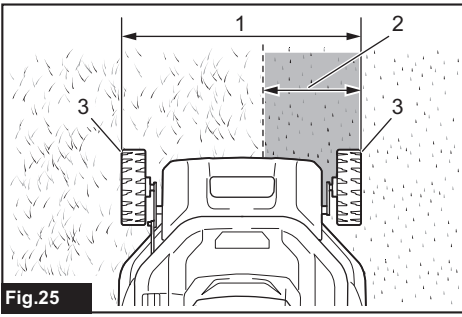


Fig.25

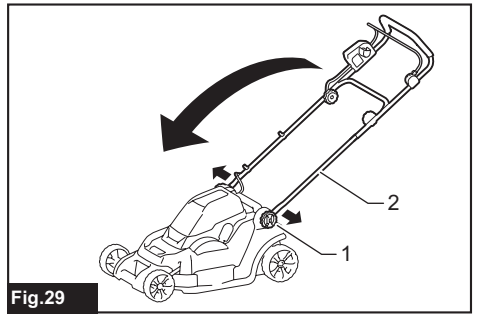


Fig.29

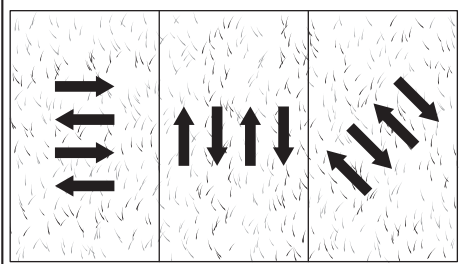


Fig.26

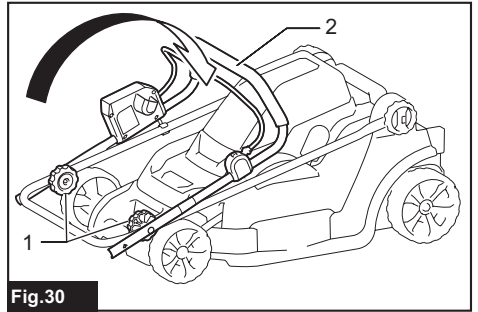


Fig.30

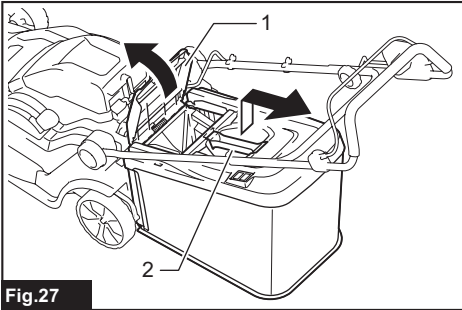


Fig.27

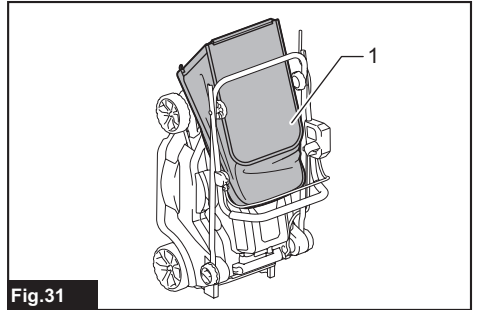


Fig.31

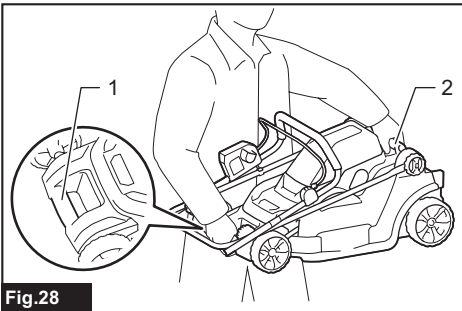


Fig.28

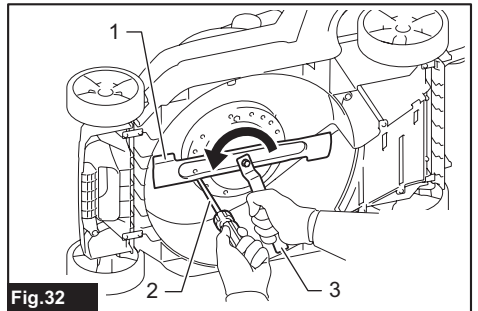


Fig.32

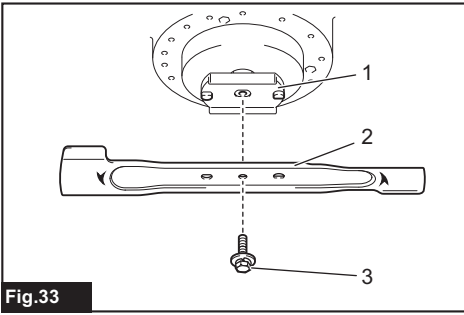


Fig.33

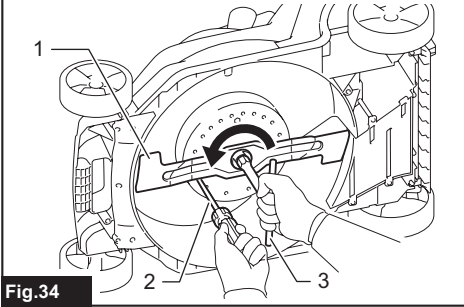


Fig.34

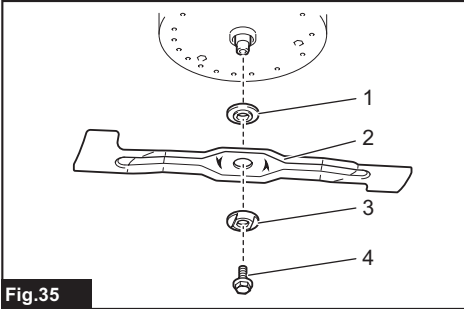


Fig.35

SPECIFICATIONS

| Model: | | DLM382 | DLM432 |
|--|---------------------------------------|---|---|
| Mowing width (blade diameter) | | 380 mm | 430 mm |
| No load speed | | 3,700 min ⁻¹ | 3,600 min ⁻¹ |
| Part number of replacement mower blade | | 191D41-2 | 191D43-8 |
| Dimensions (L x W x H) | during operation | L: 1,380 mm to 1,410 mm W: 450 mm H: 985 mm to 1,005 mm | L: 1,435 mm to 1,490 mm W: 460 mm H: 1,005 mm to 1,045 mm |
| | when stored (without grass basket) | 860 mm x 450 mm x 475 mm | 865 mm x 460 mm x 475 mm |
| Rated voltage | | D.C. 36 V | |
| Net weight | | 16.2 - 16.9 kg | 16.8 - 17.5 kg |

- Due to our continuing program of research and development, the specifications herein are subject to change without notice.
- Specifications may differ from country to country.
- The weight may differ depending on the attachment(s), including the battery cartridge. The lightest and heaviest combination, according to EPTA-Procedure 01/2014, are shown in the table.

Applicable battery cartridge

BL1815N / BL1820 / BL1820B / BL1830 / BL1830B / BL1840 / BL1840B / BL1850 / BL1850B / BL1860B

- Some of the battery cartridges listed above may not be available depending on your region of residence.

⚠ WARNING: Only use the battery cartridges listed above. Use of any other battery cartridges may cause injury and/or fire.

Symbols

The followings show the symbols used for the equipment. Be sure that you understand their meaning before use.

| | |
|--|--|
|  | Take particular care and attention. |
|  | Read instruction manual. |
|  | Danger; be aware of thrown objects. |
|  | The distance between the tool and bystanders must be at least 15 m. |
|  | Never put your hands and feet near the blade under the mower. Blades continue to rotate after the motor is switched off. |
|  | Remove the lock key before inspecting, adjusting, cleaning, servicing, leaving and storing the mower. |
|  Ni-MH Li-Ion | Only for EU countries Do not dispose of electric equipment or battery pack together with household waste material! In observance of the European Directives, on Waste Electric and Electronic Equipment and Batteries and Accumulators and Waste Batteries and Accumulators and their implementation in accordance with national laws, electric equipment and batteries and battery pack(s) that have reached the end of their life must be collected separately and returned to an environmentally compatible recycling facility. |

Intended use

The machine is intended for lawn mowing.

Noise

The typical A-weighted noise level determined according to EN60335-2-77:

Model DLM382

Sound pressure level (L_{pA}) : 81 dB(A)

Sound power level (L_{WA}) : 91 dB (A)

Uncertainty (K) : 3 dB(A)

Model DLM432

Sound pressure level (L_{pA}) : 81 dB(A)

Sound power level (L_{WA}) : 92 dB (A)

Uncertainty (K) : 3 dB(A)

NOTE: The declared noise emission value(s) has been measured in accordance with a standard test method and may be used for comparing one tool with another.

NOTE: The declared noise emission value(s) may also be used in a preliminary assessment of exposure.

⚠ WARNING: Wear ear protection.

⚠ WARNING: The noise emission during actual use of the power tool can differ from the declared value(s) depending on the ways in which the tool is used especially what kind of workpiece is processed.

⚠ WARNING: Be sure to identify safety measures to protect the operator that are based on an estimation of exposure in the actual conditions of use (taking account of all parts of the operating cycle such as the times when the tool is switched off and when it is running idle in addition to the trigger time).

Vibration

The vibration total value (tri-axial vector sum) determined according to EN60335-2-77:

Model DLM382

Vibration emission (a_n): 2.5 m/s² or less
Uncertainty (K): 2.0 m/s²

Model DLM432

Vibration emission (a_n): 2.5 m/s² or less
Uncertainty (K): 1.5 m/s²

NOTE: The declared vibration total value(s) has been measured in accordance with a standard test method and may be used for comparing one tool with another.

NOTE: The declared vibration total value(s) may also be used in a preliminary assessment of exposure.

⚠ WARNING: The vibration emission during actual use of the power tool can differ from the declared value(s) depending on the ways in which the tool is used especially what kind of workpiece is processed.

⚠ WARNING: Be sure to identify safety measures to protect the operator that are based on an estimation of exposure in the actual conditions of use (taking account of all parts of the operating cycle such as the times when the tool is switched off and when it is running idle in addition to the trigger time).

EC Declaration of Conformity

For European countries only

The EC declaration of conformity is included as Annex A to this instruction manual.

SAFETY WARNINGS

IMPORTANT SAFETY INSTRUCTIONS

⚠ WARNING: Read all safety warnings and all instructions. Failure to follow the warnings and instructions may result in electric shock, fire and/or serious injury.

Save all warnings and instructions for future reference.

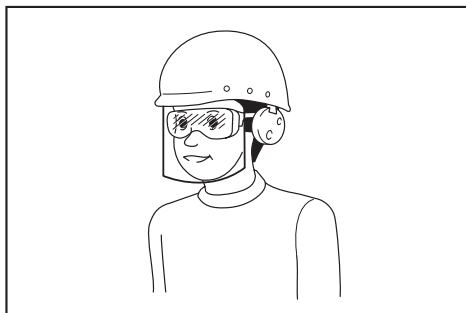
Training

1. Read the instructions carefully. Be familiar with the controls and the proper use of the mower.
2. Never allow children or people unfamiliar with these instructions to use the mower. Local regulations can restrict the age of the operator.
3. Never operate the mower while people, especially children, or pets are nearby.
4. Keep in mind that the operator or user is responsible for accidents or hazards occurring to other people or their property.

5. Children should be supervised to ensure that they do not play with the mower.
6. **Physical condition - Do not operate mower while under the influence of drugs, alcohol, or any medication.**

Preparation

1. While operating the mower, always wear substantial footwear and long trousers. Do not operate the mower when barefoot or wearing open sandals. Avoid wearing clothing or jewelry that is loose fitting or that has hanging cords or ties. They can be caught in moving parts.
2. Before use, always visually inspect the mower for damaged, missing or misplaced guards or shields.
3. Be sure the area is clear of other people before mowing. Stop mower if anyone enters the area.
4. Do not insert the lock key into mower until it is ready to be used.
5. Always wear protective goggles to protect your eyes from injury when using power tools. The goggles must comply with ANSI Z87.1 in the USA, EN 166 in Europe, or AS/NZS 1336 in Australia/New Zealand. In Australia/New Zealand, it is legally required to wear a face shield to protect your face, too.



It is an employer's responsibility to enforce the use of appropriate safety protective equipments by the tool operators and by other persons in the immediate working area.

6. Check the blades or blade bolts carefully for cracks or damage before operation. Replace cracked or damaged blades or blade bolts immediately.
7. Remove foreign matters such as rocks, wire, bottles, bones and large sticks from the work area before mowing to prevent personal injury or damage to the mower.
8. Objects struck by the mower blade can cause severe injuries to persons. The lawn should always be carefully examined and cleared of all objects prior to each mowing.
9. Watch for holes, ruts, bumps, rocks, or other hidden objects. Uneven terrain could cause a slip and fall accident. Tall grass can hide obstacles.

Operation

1. Do not overreach. Keep the balance at all times. Always be sure of the footing on slopes. Walk, never run.

2. **Stop the mower and remove the lock key, and make sure that all moving parts have come to a complete stop:**
 - whenever you leave the mower,
 - before clearing blockages or unclogging chute,
 - before checking, cleaning or working on the mower,
 - after striking a foreign object. Inspect the mower for damage and make repairs before restarting and operating the mower,
 - whenever the mower starts vibrating abnormally.
 3. **Never operate the mower with defective guards or shields, or without safety devices, for example deflectors and/or grass basket, in place.**
 4. **Avoid using the mower in bad weather conditions especially when there is a risk of lightning.**
 5. **Wear eye protection and stout shoes at all times while operating the mower.**
 6. **Operate the mower only in daylight or in good artificial light.**
 7. **Switch on the mower carefully according to instructions and with feet well away from the blade(s).**
 8. **Take care against injury to feet and hands from the mower blades.**
 9. **Always ensure that the ventilation openings are kept clear of debris.**
 10. **Mow across the face of slopes, never up and down. Exercise extreme caution when changing direction on slopes. Do not mow excessively steep slopes.**
 11. **Use extreme caution when reversing or pulling the mower towards you.**
 12. **Stop the blade(s) if the mower has to be tilted for transportation when crossing surfaces other than grass, and when transporting the mower to and from the area to be used.**
 13. **Do not tilt the mower when switching on the motor, except if the mower has to be tilted for starting. In this case, do not tilt it more than absolutely necessary and lift only the part, which is away from the operator. Always ensure that both hands are in the operating position before returning the mower to the ground.**
 14. **Do not put hands or feet near or under rotating parts. Keep clear of the discharge opening at all times.**
 15. **Do not transport the mower while the mower is turned on.**
 16. **Avoid operating the mower in wet grass.**
 17. **Never operate the mower in the rain.**
 18. **Always keep a firm hold on the handle.**
 19. **Don't grasp the exposed cutting blades or cutting edges when picking up or holding the mower.**
 20. **Keep hands and feet away from rotating blades. Caution - Blades coast after the mower is switched off.**
 21. **Stop operation immediately if you notice anything unusual. Switch off the mower and remove the lock key. Then inspect the mower.**
 22. **Never attempt to make cutting height adjustments while mower is running if the mower has cutting height adjustment feature.**
 23. **Release switch lever and wait for blade rotation to stop before crossing driveways, walks, roads, and any gravel-covered areas. Also remove the lock key if you leave the mower, reach to pick up or remove something out of your way, or for any other reason that may distract you from what you are doing.**
 24. **If the mower strikes a foreign object, follow these steps:**
 - Stop the mower, release the switch lever and wait until the blade comes to a complete stop.
 - Remove the lock key and the battery cartridge.
 - Thoroughly inspect the mower for any damage.
 - Replace the blade if it is damaged in any way. Repair any damage before restarting and continuing to operate the mower.
 25. **Do not start the mower when standing in front of the discharge opening.**
 26. **If the mower starts to vibrate abnormally (check immediately)**
 - inspect for damage,
 - replace or repair any damaged parts,
 - check for and tighten any loose parts.
 27. **Never direct discharged material toward anyone. Avoid discharging material against a wall or obstruction. Material may ricochet back toward the operator. Stop the blade when crossing gravel surfaces.**
 28. **Do not pull the mower backwards unless absolutely necessary. When you are compelled to back the mower from a fence or other similar obstruction, look down and behind before and while moving backwards.**
 29. **Shut the motor off and wait until the blade comes to a complete stop before removing the grass catcher. Beware that the blades coast after turn off.**
- Maintenance and storage**
1. **Replace worn or damaged parts for safety. Use only genuine replacement parts and accessories.**
 2. **Inspect and maintain the mower regularly.**
 3. **When not in use, store the mower out of the reach of children.**
 4. **Keep all nuts, bolts, and screws tight to be sure the equipment is in safe working condition.**
 5. **Check the grass basket frequently for wear or deterioration. For storage, always make sure the grass basket is empty. Replace a worn grass basket with a new factory replacement for safety.**
 6. **Use only the manufacturer genuine blades specified in this manual.**
 7. **Be careful during adjustment of the mower to prevent entrapment of the fingers between moving blades and fixed parts of the mower.**
 8. **Do not wash with a hose; avoid getting water in motor and electrical connections.**

9. Check the blade mounting bolt at frequent intervals for proper tightness.
10. Always allow the mower to cool down before storing.
11. When servicing the blades be aware that, even though the power source is switched off, the blades can still be moved.
12. Never remove or tamper with safety devices. Check their proper operation regularly. Never do anything to interfere with the intended function of a safety device or to reduce the protection provided by a safety device.

Battery tool use and care

1. Recharge only with the charger specified by the manufacturer. A charger that is suitable for one type of battery pack may create a risk of fire when used with another battery pack.
2. Use power tools only with specifically designed battery packs. Use of any other battery packs may create a risk of injury and fire.
3. When battery pack is not in use, keep it away from other metal objects, like paper clips, coins, keys, nails, screws or other small metal objects, that can make a connection from one terminal to another. Shorting the battery terminals together may cause burns or a fire.
4. Under abusive conditions, liquid may be ejected from the battery; avoid contact. If contact accidentally occurs, flush with water. If liquid contacts eyes, additionally seek medical help. Liquid ejected from the battery may cause irritation or burns.
5. Do not use a battery pack or tool that is damaged or modified. Damaged or modified batteries may exhibit unpredictable behaviour resulting in fire, explosion or risk of injury.
6. Do not expose a battery pack or tool to fire or excessive temperature. Exposure to fire or temperature above 130 °C may cause explosion.
7. Follow all charging instructions and do not charge the battery pack or tool outside the temperature range specified in the instructions. Charging improperly or at temperatures outside the specified range may damage the battery and increase the risk of fire.

Electrical and battery safety

1. Do not dispose of the battery(ies) in a fire. The cell may explode. Check with local codes for possible special disposal instructions.
2. Do not open or mutilate the battery(ies). Released electrolyte is corrosive and may cause damage to the eyes or skin. It may be toxic if swallowed.
3. Do not charge battery in rain, or in wet locations.
4. Do not charge the battery outdoors.
5. Do not handle charger, including charger plug, and charger terminals with wet hands.

Service

1. Have your power tool serviced by a qualified repair person using only identical replacement parts. This will ensure that the safety of the power tool is maintained.

2. Never service damaged battery packs. Service of battery packs should only be performed by the manufacturer or authorized service providers.

SAVE THESE INSTRUCTIONS.

⚠WARNING: DO NOT let comfort or familiarity with product (gained from repeated use) replace strict adherence to safety rules for the subject product.

MISUSE or failure to follow the safety rules stated in this instruction manual may cause serious personal injury.

Important safety instructions for battery cartridge

1. Before using battery cartridge, read all instructions and cautionary markings on (1) battery charger, (2) battery, and (3) product using battery.
2. Do not disassemble battery cartridge.
3. If operating time has become excessively shorter, stop operating immediately. It may result in a risk of overheating, possible burns and even an explosion.
4. If electrolyte gets into your eyes, rinse them out with clear water and seek medical attention right away. It may result in loss of your eyesight.
5. Do not short the battery cartridge:
 - (1) Do not touch the terminals with any conductive material.
 - (2) Avoid storing battery cartridge in a container with other metal objects such as nails, coins, etc.
 - (3) Do not expose battery cartridge to water or rain.

A battery short can cause a large current flow, overheating, possible burns and even a breakdown.

6. Do not store the tool and battery cartridge in locations where the temperature may reach or exceed 50 °C (122 °F).
7. Do not incinerate the battery cartridge even if it is severely damaged or is completely worn out. The battery cartridge can explode in a fire.
8. Be careful not to drop or strike battery.
9. Do not use a damaged battery.
10. The contained lithium-ion batteries are subject to the Dangerous Goods Legislation requirements. For commercial transports e.g. by third parties, forwarding agents, special requirement on packaging and labeling must be observed. For preparation of the item being shipped, consulting an expert for hazardous material is required. Please also observe possibly more detailed national regulations. Tape or mask off open contacts and pack up the battery in such a manner that it cannot move around in the packaging.
11. When disposing the battery cartridge, remove it from the tool and dispose of it in a safe place. Follow your local regulations relating to disposal of battery.

- Use the batteries only with the products specified by Makita. Installing the batteries to non-compliant products may result in a fire, excessive heat, explosion, or leak of electrolyte.
- If the tool is not used for a long period of time, the battery must be removed from the tool.

SAVE THESE INSTRUCTIONS.

⚠ CAUTION: Only use genuine Makita batteries. Use of non-genuine Makita batteries, or batteries that have been altered, may result in the battery bursting causing fires, personal injury and damage. It will also void the Makita warranty for the Makita tool and charger.

Tips for maintaining maximum battery life

- Charge the battery cartridge before completely discharged. Always stop tool operation and charge the battery cartridge when you notice less tool power.
- Never recharge a fully charged battery cartridge. Overcharging shortens the battery service life.
- Charge the battery cartridge with room temperature at 10 °C - 40 °C (50 °F - 104 °F). Let a hot battery cartridge cool down before charging it.
- Charge the battery cartridge if you do not use it for a long period (more than six months).

ASSEMBLY

⚠ WARNING: Always be sure that the lock key and battery cartridge are removed before carrying out any work on the mower. Failure to remove the lock key and the battery cartridge may result in serious personal injury from accidental start-up.

⚠ WARNING: Never start the mower unless it is completely assembled. Operation of the machine in a partially assembled state may result in serious personal injury from accidental start-up.

Installing the battery cover

⚠ WARNING: Do not insert the lock key and battery cartridge before installing the battery cover. Failure to do so may cause a serious injury.

Install the battery cover completely before the operation. The battery cover protects the mower and battery cartridge from mud, dirt, and water.

- Place the battery cover with the protrusions on the mower aligned with the holes on the battery cover.
 - Fig.1: 1. Protrusion 2. Hole 3. Battery cover
- Place your hands in the middle of the battery cover and push it.
 - Fig.2
- Before the first operation, check that the pivot point of the battery cover is attached properly. If the battery cover is installed correctly, it will not open until the battery cover locking lever is pulled.
 - Fig.3: 1. Pivot point 2. Battery cover locking lever

Installing the handle

NOTICE: When installing handles, position the cords so that they are not caught by anything between the handles. If the cord is damaged, the mower switch may not work.

- Slide the both ends of lower handle into the grooves of the mower then fully tighten the clamping screws.
 - Fig.4: 1. Clamping screw 2. Lower handle
- Align the screw holes of upper handle and lower handle. Secure them with the clamping screws and nuts.
 - Fig.5: 1. Clamping nut 2. Clamping screw

NOTE: Hold the upper handle firmly so that it does not drop off your hand.

- Attach the holders to the handle. Position the power supply cord as shown in the figure.
 - Fig.6: 1. Holder

Removing the mulching plug

Optional accessory

- Open the rear cover.
 - Fig.7: 1. Rear cover
- Hold the mulching plug by the handle, and then pull it out from the mower body as shown in the figure.
 - Fig.8: 1. Mulching plug 2. Handle

Installing the grass basket

- Open the rear cover.
 - Fig.9: 1. Rear cover
- Hook the grass basket on the rod of the mower body as shown in the figure.
 - Fig.10: 1. Hook 2. Rod 3. Grass basket

Attaching the mulching plug

Optional accessory

- Open the rear cover, and then remove the grass basket.
 - Fig.11: 1. Rear cover 2. Grass basket
- Hold the mulching plug by the handle, and then attach it to the mower body as shown in the figure.
 - Fig.12: 1. Mulching plug 2. Handle

FUNCTIONAL DESCRIPTION

Installing or removing battery cartridge

⚠ CAUTION: Always switch off the machine before installing or removing of the battery cartridge.

⚠ CAUTION: Make sure that you lock the battery cover before use. Otherwise, mud, dirt, or water may cause damage to the product or the battery cartridge.

⚠ CAUTION: Always install the battery cartridge fully until the red indicator cannot be seen. If not, it may accidentally fall out of the machine, causing injury to you or someone around you.

⚠ CAUTION: Do not install the battery cartridge forcibly. If the cartridge does not slide in easily, it is not being inserted correctly.

NOTE: The machine does not work with only one battery cartridge.

To install the battery cartridge;

1. Slide the battery cover locking lever and open the battery cover.

▶ **Fig.13:** 1. Battery cover 2. Battery cover locking lever

2. Align the tongue on the battery cartridge with the slot on the mower then slide the cartridge until it locks in place with a little click.

▶ **Fig.14:** 1. Battery cartridge

3. Insert the lock key in the place shown in the figure as far as it will go.

▶ **Fig.15:** 1. Lock key

4. Close the battery cover and push it until it is latched with the locking lever.

To remove the battery cartridge from the mower;

1. Slide the battery cover locking lever and open the battery cover.

2. Pull out the battery cartridge from the mower while sliding the button on the front of the cartridge.

3. Pull out the lock key.

4. Close the battery cover.

Machine / battery protection system

The machine is equipped with a machine/battery protection system. This system automatically cuts off power to the motor to extend tool and battery life. The machine will automatically stop during operation if the machine or battery is placed under one of the following conditions.

Overload protection

When the machine is operated in a manner that causes it to draw an abnormally high current, the machine automatically stops without any indication. In this situation, turn the machine off and stop the application that caused the machine to become overloaded. Then turn the machine on to restart.

Overheat protection

When the machine is overheated, the machine stops automatically. Let the machine cool down before turning the machine on again.

Overdischarge protection

When the battery capacity becomes low, the machine stops automatically. If the product does not operate even when the switches are operated, remove the batteries from the machine and charge the batteries.

Indicating the remaining battery capacity

▶ **Fig.16:** 1. Battery indicator

When the remaining battery capacity gets low, the battery indicator blinks on the applicable battery side. By further use, the machine stops and the battery indicator lights up about 10 seconds. In this situation, charge the battery cartridge.

Indicating the remaining battery capacity

Only for battery cartridges with the indicator

▶ **Fig.17:** 1. Indicator lamps 2. Check button

Press the check button on the battery cartridge to indicate the remaining battery capacity. The indicator lamps light up for a few seconds.

| Indicator lamps | | | Remaining capacity |
|-----------------|-----|----------|-------------------------------------|
| Lighted | Off | Blinking | |
| ■ | ■ | ■ | 75% to 100% |
| ■ | ■ | □ | 50% to 75% |
| ■ | □ | □ | 25% to 50% |
| ■ | □ | □ | 0% to 25% |
| ▣ | □ | □ | Charge the battery. |
| ■ | ■ | □ | The battery may have malfunctioned. |
| □ | □ | ■ | |

NOTE: Depending on the conditions of use and the ambient temperature, the indication may differ slightly from the actual capacity.

Switch action

⚠ WARNING: Before installing the battery cartridge, always check to see that the switch lever actuates properly and returns to the original position when released. Operating a machine with a switch that does not actuate properly can lead to loss of control and serious personal injury.

NOTE: The mower does not start without pressing the switch button even the switch lever is pulled.

NOTE: Mower may not start due to the overload when you try to mow long or dense grass at a time. Increase the mowing height in this case.

This mower is equipped with the interlock switch and handle switch. If you notice anything unusual with either of these switches, stop operation immediately and have them checked by your nearest Makita Authorized Service Center.

1. Install the battery cartridges. Insert the lock key into the interlock switch and then close the battery cover.

▶ **Fig.18:** 1. Battery cartridge 2. Lock key

2. Press the switch button and hold it.

3. Grab the upper handle and pull the switch lever.

▶ **Fig.19:** 1. Switch button 2. Switch lever

4. Release the switch button as soon as the motor starts running. The mower will continue to run until you release the switch lever.

5. Release the switch lever to stop the motor.

Adjusting the mowing height

⚠ WARNING: Never put your hand or leg under the mower body when adjusting the mowing height.

⚠ WARNING: Always make sure that the lever fits in the groove properly before operation.

The mowing height can be adjusted in the range of between 20 mm and 75 mm.

1. Remove the lock key.

2. Pull the mowing height adjusting lever to the outward of the mower body and move it to your desired mowing height.

▶ **Fig.20:** 1. Mowing height adjusting lever

NOTE: The mowing height figures should be used just as a guideline. Depending on the conditions of the lawn or the ground, the actual lawn height may become slightly different from the set height.

NOTE: Try a test mowing of grass in a less conspicuous place to get your desired height.

Grass level indicator

▶ **Fig.21:** 1. Grass level indicator

Grass level indicator shows the volume of mowed grass.

- When the grass basket is not full, the indicator floats during mowing.
- When the grass basket is full, the indicator does not float during mowing. In this case, stop mowing immediately and empty the basket. After emptying the basket, clean it so that its meshwork vents the air.

NOTE: This indicator is a rough guide. Depending on the conditions of inside of the basket, this indicator may not work properly.

Using mulching plug

Optional accessory

The mulching plug allows you to return the cut grass to the ground without gathering the cut grass in the grass basket. When you operate the machine with the mulching plug, be sure to remove the grass basket.

NOTICE: When using the machine with the mulching plug, make sure that the total length of grass is 30 mm or more, or the cut length is 15 mm or less.

▶ **Fig.22:** (1) 30 mm or more (2) 15 mm or less

OPERATION

Mowing

⚠ WARNING: Before mowing, clear away sticks and stones from mowing area. Furthermore, clear away any weeds from mowing area in advance.

⚠ WARNING: Always wear the safety goggles or safety glasses with side shields when operating the mower.

⚠ CAUTION: If the cut grass or foreign object blocks up inside of the mower body, be sure to remove the lock key and battery cartridge and wear gloves before removing the grass or foreign object.

NOTICE: Use this machine for mowing lawn only. Do not mow weeds with this machine.

▶ **Fig.23**

Firmly hold the handle with both hands when mowing.

The mowing speed guideline is approximately 1 meter per 4 seconds.

▶ **Fig.24**

The outside edges of the front wheels are guidelines to mowing width. Using the outside edges of the front wheels as guidelines, mow in strips. Overlap by one half to one third the previous strip to mow the lawn evenly.

▶ **Fig.25:** 1. Mowing width 2. Overlapping area
3. Outside edge

Change the mowing direction each time to prevent the grass grain pattern from forming in just one direction.

▶ **Fig.26**

Periodically check the grass basket for mowed grass. Empty the grass before it becomes full. Before every periodical check, be sure to stop the mower then remove the lock key and the battery cartridge.

NOTICE: Using the mower with the grass basket full prevents smooth blade rotation and places an extra load on the motor, which may cause breakdown.

Mowing a long-grass lawn

Do not try to cut long grass all in one go. Instead, mow the lawn in some steps. Leave a day or two between mows until the lawn becomes evenly short.

NOTE: Mowing long grass to a short length all in one go may cause the grass to die. The cut grass may also block up inside of the mower body.

Emptying the grass basket

WARNING: To reduce a risk of accident, regularly check the grass basket for any damage or weakened strength. Replace the grass basket if necessary.

1. Release the switch lever.
2. Remove the lock key.
3. Open the rear cover and take out the grass basket by holding the handle.
▶ **Fig.27:** 1. Rear cover 2. Handle
4. Empty the grass basket.

MAINTENANCE

WARNING: Always be sure that the lock key and battery cartridge are removed from the mower before storing or carrying the mower or attempting to perform inspection or maintenance.

WARNING: Always remove the lock key when the mower is not in use. Store the lock key in a safe place out of reach of children.

WARNING: Wear gloves when performing inspection or maintenance.

WARNING: Always wear the safety goggles or safety glasses with side shields when performing inspection or maintenance.

NOTICE: Never use gasoline, benzine, thinner, alcohol or the like. Discoloration, deformation or cracks may result.

To maintain product SAFETY and RELIABILITY, repairs, any other maintenance or adjustment should be performed by Makita Authorized or Factory Service Centers, always using Makita replacement parts.

Maintenance

1. Remove the lock key. Store it in a safe place out of the reach of children.
2. Clean the mower using only a wet cloth. Do not spray or pour water on the mower when cleaning.
3. Put the mower on its side and clean grass clippings accumulated on the underside of mower deck.
4. Check all nuts, bolts, knobs, screws, fasteners etc. for tightness.
5. Inspect moving parts for damage, breakage, and wear. Damaged or missing parts should be repaired or replaced.

Storage

WARNING: When carrying or storing the mower, do not hold the folded handles but the front grip of the mower. Holding the folded handles may cause a serious injury or damage to the mower.

Before storing the mower, remove the battery cartridge and lock key.

Store mower indoors in a cool, dry and locked place. Don't store the mower and charger in locations where the temperature may reach or exceed 40 °C.

▶ **Fig.28:** 1. Front grip 2. Rear grip

1. Loosen the clamping screws and expand the lower handle to both sides. Move down the handle forward. At this time, keep a firm grip on the lower handle so that the handle does not fall down to the far side from the mower body.

▶ **Fig.29:** 1. Clamping screw 2. Lower handle

2. Loosen the clamping nuts and pivot the upper handle back while expanding the both sides.

▶ **Fig.30:** 1. Clamping nut 2. Upper handle

3. Store the grass basket between the handle and the mower body.

▶ **Fig.31:** 1. Grass basket

NOTE: When putting the mower in the upright position, do not hold the handle but use the front grip of the mower.

Removing or installing the mower blade

WARNING: Always remove the lock key and battery cartridge when removing or installing the blade. Failure to remove the lock key and battery cartridge may cause a serious injury.

WARNING: The blade coasts for a few seconds after releasing the switch. Do not start any operation until the blade comes to a complete stop.

WARNING: Always wear gloves when handling the blade.

Removing the mower blade

For DLM382

1. Put the mower on its side so that the mowing height adjusting lever comes to the upper side.
2. To lock the blade rotation, insert a screwdriver or a similar tool into a hole on the mower body.
3. Turn the bolt counterclockwise with the wrench.
▶ **Fig.32:** 1. Mower blade 2. Screwdriver 3. Wrench
4. Remove the bolt and blade in order.
▶ **Fig.33:** 1. Blade support 2. Mower blade 3. Bolt

For DLM432

- Put the mower on its side so that the mowing height adjusting lever comes to the upper side.
- To lock the blade rotation, insert a screwdriver or a similar tool into a hole on the mower body.
- Turn the bolt counterclockwise with the wrench.
▶ **Fig.34:** 1. Mower blade 2. Screwdriver 3. Wrench
- Remove the bolt, outer flange, mower blade, and inner flange in order.
▶ **Fig.35:** 1. Inner flange 2. Mower blade 3. Outer flange 4. Bolt

Installing the mower blade

To install the mower blade, take the removal procedure in reverse.

⚠ WARNING: Install the mower blade carefully. It has a top/bottom facing. Place the blade so that the rotational direction arrow faces outward.

⚠ WARNING: Tighten the bolt clockwise firmly to secure the blade.

⚠ WARNING: Make sure that the mower blade and all the fixing parts are installed correctly and tightened securely.

⚠ WARNING: When you replace the blades, always follow the instructions provided in this manual.

TROUBLESHOOTING

Before asking for repairs, conduct your own inspection first. If you find a problem that is not explained in the manual, do not attempt to dismantle the tool. Instead, ask Makita Authorized Service Centers, always using Makita replacement parts for repairs.

| State of abnormality | Probable cause (malfunction) | Remedy |
|---|---|--|
| Mower does not start. | Two battery cartridges are not installed. | Install the charged battery cartridges. |
| | Battery problem (under voltage) | Recharge the battery cartridge. If recharging is not effective, replace battery cartridge. |
| | The lock key is not inserted. | Insert the lock key. |
| Motor stops running after a little use. | Battery's charge level is low. | Recharge the battery cartridge. If recharging is not effective, replace battery cartridge. |
| | Cutting height is too low. | Increase the cutting height. |
| Motor does not reach maximum RPM. | Battery cartridge is installed improperly. | Install the battery cartridge as described in this manual. |
| | Battery power is dropping. | Recharge the battery cartridge. If recharging is not effective, replace battery cartridge. |
| | The drive system does not work correctly. | Ask your local authorized service center for repair. |
| Mower blade does not rotate: ⇒ stop the mower immediately! | Foreign object such as a branch is jammed near the blade. | Remove the foreign object. |
| | The drive system does not work correctly. | Ask your local authorized service center for repair. |
| Abnormal vibration: ⇒ stop the mower immediately! | Blade is imbalanced, excessively or unevenly worn. | Replace the blade. |

OPTIONAL ACCESSORIES

⚠ CAUTION: These accessories or attachments are recommended for use with your Makita tool specified in this manual. The use of any other accessories or attachments might present a risk of injury to persons. Only use accessory or attachment for its stated purpose.

- Mower blade
- Mulching plug
- Makita genuine battery and charger

NOTE: Some items in the list may be included in the tool package as standard accessories. They may differ from country to country.

If you need any assistance for more details regarding these accessories, ask your local Makita Service Center.

SPECIFIKATIONER

| Modell: | DLM382 | | DLM432 | |
|---|--|---|---|--|
| Klippbredd (knivdiameter) | 380 mm | | 430 mm | |
| Hastighet utan belastning | 3 700 min ⁻¹ | | 3 600 min ⁻¹ | |
| Artikelnummer för byte av gräsklipparkniv | 191D41-2 | | 191D43-8 | |
| Dimensioner (L x B x H) | vid användning | L: 1 380 mm till 1 410 mm B: 450 mm H: 985 mm till 1 005 mm | L: 1 435 mm till 1 490 mm B: 460 mm H: 1 005 mm till 1 045 mm | |
| | vid förvaring (utan gräsuppsamlare) | 860 mm x 450 mm x 475 mm | 865 mm x 460 mm x 475 mm | |
| Märkspänning | 36 V likström | | | |
| Nettovikt | 16,2 - 16,9 kg | | 16,8 - 17,5 kg | |

- På grund av vårt pågående program för forskning och utveckling kan dessa specifikationer ändras utan föregående meddelande.
- Specifikationer kan variera mellan olika länder.
- Vikten kan variera beroende på tillbehören, inklusive batterikassett. Den lättaste och den tyngsta kombinationen enligt EPTA-procedur 01/2014 visas i tabellen.

Tillgänglig batterikassett








BL1815N / BL1820 / BL1820B / BL1830 / BL1830B / BL1840 / BL1840B / BL1850 / BL1850B / BL1860B

- Vissa av batterikassetterna på listan ovan kanske inte finns tillgängliga i din region.

⚠ VARNING: Använd endast batterikassetter från listan ovan. Användning av andra batterikassetter kan orsaka personskada och/eller brand.

Symboler

Följande visar symbolerna som används för utrustningen. Se till att du förstår innebörden innan du använder bormaskinen.

| | |
|--|---|
|  | Var extra försiktig och uppmärksam. |
|  | Läs igenom bruksanvisningen. |
|  | Fara! Se upp för flygande föremål. |
|  | Avståndet mellan maskinen och åskådare måste vara minst 15 m. |
|  | Placera aldrig dina händer eller fötter nära kniven under gräsklipparen. Knivarna fortsätter att rotera efter det att motorn stängts av. |
|  | Ta ut säkerhetsnyckeln före kontroll, justering, rengöring, service, förvaring eller om gräsklipparen lämnas obevakad. |
|  | Gäller endast inom EU Elektrisk utrustning eller batteripaket får inte kastas i hushållsavfallet! Enligt EU-direktiven som avser förbrukad elektrisk och elektronisk utrustning, batterier, ackumulatorer, förbrukade batterier och ackumulatorer, samt direktivens tillämpning enligt nationell lagstiftning, ska uttjänt elektrisk utrustning, batterier och batteripaket sorteras separat och lämnas till miljövänlig återvinning. |

Buller

Den normala bullernivån för A-belastning är bestämd enligt EN60335-2-77:

Model DLM382

Ljudtrycksnivå (L_{pA}) : 81 dB (A)
Ljudeffektnivå (L_{WA}) : 91 dB (A)
Måttolerans (K): 3 dB (A)

Model DLM432

Ljudtrycksnivå (L_{pA}) : 81 dB (A)
Ljudeffektnivå (L_{WA}) : 92 dB (A)
Måttolerans (K): 3 dB (A)

OBS: Det deklarerade bullervärdet har uppmätts i enlighet med standardtestmetoden och kan användas för jämförandet av en maskin med en annan.

OBS: Det deklarerade bulleremissionsvärdet kan också användas i en preliminär bedömning av exponering för vibration.

⚠ VARNING: Använd hörselskydd.

⚠ VARNING: Bulleremissionen under faktisk användning av maskinen kan skilja sig från det deklarerade värdet, beroende på hur maskinen används och särskilt vilken typ av arbetsstycke som behandlas.

⚠ VARNING: Var noga med att identifiera säkerhetsåtgärder för att skydda användaren, vilka är grundade på en uppskattning av graden av exponering för vibrationer under de faktiska användningsförhållandena, (ta, förutom avtryckartiden, med alla delar av användarcykeln i beräkningen, som till exempel tiden då maskinen är avstängd och när den går på tomgång).

Avsedd användning

Maskinen är avsedd för gräsklipping.

Vibration

Det totala vibrationsvärdet (treaxlad vektorsumma) bestämt enligt EN60335-2-77:

Model DLM382

Vibrationsemission (a_h): 2,5 m/s² eller lägre
Måttolerans (K): 2,0 m/s²

Model DLM432

Vibrationsemission (a_h): 2,5 m/s² eller lägre
Måttolerans (K): 1,5 m/s²

OBS: Det deklarerade totala vibrationsvärdet har uppmätts i enlighet med standardtestmetoden och kan användas för jämförandet av en maskin med en annan.

OBS: Det deklarerade totala vibrationsvärdet kan också användas i en preliminär bedömning av exponering för vibration.

⚠ VARNING: Vibrationsemissionen under faktisk användning av maskinen kan skilja sig från det deklarerade värdet, beroende på hur maskinen används och särskilt vilken typ av arbetssyttcke som behandlas.

⚠ VARNING: Var noga med att identifiera säkerhetsåtgärder för att skydda användaren, vilka är grundade på en uppskattning av graden av exponering för vibrationer under de faktiska användningsförhållandena, (ta, förutom avtryckartiden, med alla delar av användarcykeln i beräkningen, som till exempel tiden då maskinen är avstängd och när den går på tomgång).

EG-försäkran om överensstämmelse

Gäller endast inom EU

EG-försäkran om överensstämmelse inkluderas som bilaga A till denna bruksanvisning.

SÄKERHETSVARNINGAR

VIKTIGA SÄKERHETSANVISNINGAR

⚠ VARNING: Läs igenom alla säkerhetsvarningar och anvisningar. Underlåtenhet att följa varningar och instruktioner kan leda till elstöt, brand och/eller allvarliga personskador.

Spara alla varningar och instruktioner för framtida referens.

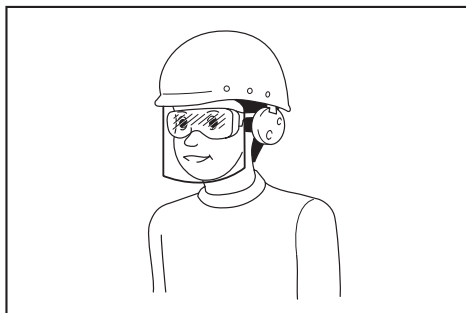
Utbildning

1. Läs anvisningarna noggrant. Var förtrogen med styrelagen och korrekt användning av gräsklipparen.
2. Låt aldrig gräsklipparen användas av barn eller av personer som inte känner till dessa anvisningar. Lokala bestämmelser kan ange en åldersgräns för användaren.
3. Använd aldrig gräsklipparen när personer (särskilt barn) eller djur finns i närheten.
4. Glöm inte att användaren är ansvarig för olyckor eller eventuell fara gentemot andra personer och deras egendom.

5. Barn ska övervakas så att de inte leker med gräsklipparen.
6. Fysiskt tillstånd – Använd inte gräsklipparen under påverkan av droger, alkohol eller mediciner.

Förberedelse

1. Bär alltid kraftiga skor och långbyxor när du använder gräsklipparen. Använd inte gräsklipparen barfota eller med öppna skor. Undvik att bära kläder eller smycken som sitter löst eller som har hängande snoddar eller band. De kan fångas upp av rörliga delar.
2. Inspektera alltid gräsklipparen visuellt innan användning avseende skada, saknade eller felplacerade skydd.
3. Kontrollera att det inte finns några personer i området före gräsklippningen. Stäng av gräsklipparen om någon närmar sig.
4. Sätt inte i säkerhetsnyckeln i gräsklipparen förrän den är klar att användas.
5. Bär alltid skyddsglasögon för att skydda dina ögon från skada när du använder e-verktyg. Skyddsglasögonen måste uppfylla ANSI Z87.1 i USA, EN 166 i Europa, eller AS/NZS 1336 i Australien/Nya Zeeland. I Australien/Nya Zeeland måste man enligt lag även bära ansiktsskydd för att skydda ansiktet.



Det är arbetsgivarens ansvar att se till att användare och övriga personer i det omedelbara arbetsområdet använder lämplig skyddsutrustning.

6. Kontrollera före användning att knivarna eller knivbultarna inte är spruckna eller skadade. Byt omedelbart ut skadade knivar eller knivbultar.
7. Ta bort främmande föremål såsom stenar, kablar, flaskor, ben och långa pinnar från arbetsområdet innan gräsklippningen för att undvika personskador eller skada på gräsklipparen.
8. Föremål som träffas av gräsklipparens kniv kan orsaka allvarliga personskador. Gräsmattan ska alltid undersökas väl och röjas från föremål före varje klippning.
9. Se upp för hål, rötter, knölar, stenar eller andra dolda föremål. Ojämn terräng kan vara en halkrisk. Högt gräs kan dölja föremål.

Användning

1. Översträck inte. Ha god balans hela tiden. Se alltid till att ha balans på slutningar. Gå, spring aldrig.

2. Stäng av gräsklipparen och ta ut säkerhetsnyckeln och se till att alla rörliga delar har slutat rotera:
 - när du lämnar gräsklipparen,
 - innan du tar bort något som fastnat eller rensar utkastningsrännan,
 - före kontroll, rengöring eller arbete på gräsklipparen,
 - om du stött emot ett främmande föremål med maskinen. Inspektera gräsklipparen efter skador och utför reparationer innan maskinen startas om och används på nytt:
 - om gräsklipparen börjar vibrera på ett onormalt sätt.
 3. Använd aldrig gräsklipparen med skadade skydd eller utan säkerhetsutrustning, t. ex. stenskydd och/eller gräsupsamlare, på plats.
 4. Undvik att använda gräsklipparen vid dåliga väderförhållanden, speciellt vid risk för åska.
 5. Bär alltid skyddsglasögon och kraftiga skor när du arbetar med gräsklipparen.
 6. Använd endast gräsklipparen i dagsljus eller i god belysning.
 7. Starta gräsklipparen omsorgsfullt enligt anvisningarna och med fötterna på säkert avstånd från knivarna.
 8. Var försiktig så att du inte skadar händer och fötter på gräsklipparkniven.
 9. Försäkra dig alltid om att lufthålen är fria från smuts.
 10. Klipp längs med sluttningar, aldrig uppåt och nedåt. Var särskilt försiktig vid byte av riktning i sluttande terräng. Klipp inte mycket branta sluttningar.
 11. Var mycket försiktig när du vänder gräsklipparen eller drar den mot dig.
 12. Stoppa knivarna om gräsklipparen måste lutas för att transporteras över gräsfria ytor och när maskinen transporteras till och från området som ska klippas.
 13. Luta inte gräsklipparen när du startar motorn, såvida den inte måste lutas för att startas. I så fall ska den inte lutas mer än vad som är absolut nödvändigt och lyft endast den delen som är längst bort från användaren. Se alltid till att båda händerna är i arbetsläge innan du ställer ner gräsklipparen på marken.
 14. Placera inte händer och fötter i närheten av eller under roterande delar. Stå alltid långt ifrån utkastöppningen.
 15. Transportera inte gräsklipparen medan den är igång.
 16. Undvik att använda gräsklipparen i vått gräs.
 17. Använd aldrig gräsklipparen i regn.
 18. Håll alltid stadigt i handtaget.
 19. Greppa inte de oskyddade knivbladen eller kniveggarna när du tar upp eller håller i gräsklipparen.
 20. Håll händer och fötter borta från rörliga knivar. Försiktighet – Knivarna stannar inte omedelbart när gräsklipparen stängs av.
 21. Stanna maskinen omedelbart om du lägger märke till något onormalt. Stäng av gräsklipparen och ta ut säkerhetsnyckeln. Kontrollera sedan gräsklipparen.
 22. Försök aldrig göra justeringar av klipphöjden medan gräsklipparen är igång, om den har funktionen klipphöjdsinställning.
 23. Släpp säkerhetsgreppet och vänta tills kniven har stannat innan du korsar en uppfart, gångväg, väg eller annat grustäckt område. Ta också ut säkerhetsnyckeln om du lämnar gräsklipparen, sträcker dig för att plocka upp eller ta bort något som ligger i vägen, eller om du på något annat sätt distraheras från arbetet.
 24. Följ dessa steg om gräsklipparen slår emot ett främmande föremål:
 - Stanna gräsklipparen, släpp säkerhetsgreppet och vänta tills kniven stannat helt.
 - Ta bort säkerhetsnyckeln och batterikassetten.
 - Kontrollera gräsklipparen grundligt så att inte några skador har uppstått.
 - Byt ut kniven om den är skadad på något sätt. Reparera eventuella skador innan du startar om och återupptar användningen av gräsklipparen.
 25. Starta inte gräsklipparen när du står framför utkastöppningen.
 26. Om gräsklipparen börjar vibrera på ett onormalt sätt (kontrollera omedelbart)
 - kontrollera om skada har uppstått,
 - byt ut eller reparera skadade delar,
 - kontrollera och dra åt lösa delar.
 27. Rikta aldrig utloppsmaterial mot någon. Undvik att rikta utloppsmaterial mot en vägg eller hinder. Material kan studsas tillbaka på användaren. Stanna bladet när du korsar grusvägar.
 28. Dra inte gräsklipparen baklänges såvida det inte är absolut nödvändigt. När du är tvungen att backa gräsklipparen från ett staket eller liknande hinder måste du titta ner och bakom dig innan och medan du backar.
 29. Stäng av motorn och vänta tills bladen har stannat innan du tar bort gräsupsamlaren. Tänk på att klingan inte stannar omedelbart när maskinen stängs av.
- Underhåll och förvaring**
1. Byt ut slitna eller skadade delar för säker användning. Använd endast originaldelar och tillbehör.
 2. Inspektera och underhåll gräsklipparen regelbundet.
 3. När gräsklipparen inte används ska den förvaras utom räckhåll för barn.
 4. Se till att alla muttrar, bultar och skruvar är åtdragna för att alltid bibehålla utrustningen i säker arbetsskick.
 5. Kontrollera gräsupsamlaren regelbundet efter slitage eller försämring. Se alltid till att gräsupsamlaren är tom när maskinen förvaras. Byt ut gräsupsamlaren om den är slitna mot en ny från fabriken för säker användning.
 6. Använd endast tillverkarens originalknivar som specificerats i denna bruksanvisning.
 7. Var försiktig vid justering av gräsklipparen för att undvika att fastna med fingrarna mellan knivar i rörelse och fasta maskindelar.

8. **Spola inte av maskinen med en slang, undvik att få in vatten i motorn och elektriska kopplingar.**
9. **Kontrollera knivens monteringsbult regelbundet så att den är ordentligt ådragen.**
10. **Låt alltid gräsklipparen svalna innan du ställer in den för förvaring.**
11. **Vid underhåll av knivarna bör du vara uppmärksam på att de fortfarande kan snurra även om strömkällan är avstängd.**
12. **Ta aldrig bort eller mixtra med säkerhetsanordningar. Kontrollera regelbundet korrekt funktion. Gör aldrig något som stör säkerhetsanordningarnas avsedda funktion eller minskar det skydd som säkerhetsanordningarna ger.**

Användning och underhåll av batteri

1. **Ladda endast med den batteriladdare som angetts av tillverkaren.** En laddare som passar en viss typ av batterier kan skapa risk för brand när den används tillsammans med annat batteri.
2. **Använd endast maskiner tillsammans med tillhörande batterier.** Om andra batterier används kan risken för personskada och brand öka.
3. **När batteriet inte används bör det hållas borta från andra metallföremål som till exempel gem, mynt, nycklar, spik, skruv eller andra små metallföremål som kan skapa anslutning från en terminal till en annan.** Kortslutning av batteripolerna kan orsaka brännskador eller brand.
4. **Under hårda förhållande kan det komma vätska ur batteriet. Undvik kontakt. Spola med vatten om kontakt ändå råkar uppstå. Om vätskan kommer i kontakt med ögonen bör läkare uppsökas.** Vätska från batteriet kan orsaka irritation på huden eller ge brännskador.
5. **Använd inte ett batteripaket eller maskin som är skadat eller ändrat.** Skadade eller ändrade batterier kan uppföra sig opålitligt, vilket kan leda till brand, explosion eller skaderisk.
6. **Utsätt inte batteripaket eller maskiner för brand eller höga temperaturer.** Exponering för brand eller temperaturer över 130 °C kan leda till explosion.
7. **Följ alla laddningsinstruktioner och ladda inte batteripaketet eller maskinen utanför det temperaturintervall som anges i instruktionerna.** Felaktig laddning, eller vid temperaturer utanför det angivna intervallet, kan skada batteriet och öka risken för brand.

El- och batterisäkerhet

1. **Släng inte batteriet/batterierna i öppen eld.** Cellen kan explodera. Kontrollera de lokala reglerna för att se eventuell särskild avfallshantering.
2. **Öppna inte eller förstör batteriet/batterierna.** Elektrolyt som kommer ut är frätande och kan ge ögon- eller hudskador. Det kan vara giftigt vid förtäring.
3. **Ladda inte batteriet i regn eller i fuktiga eller våta utrymmen.**
4. **Ladda inte batteriet utomhus.**
5. **Hantera inte laddaren, däribland laddarstickproppen, och laddarens kopplingar med våta händer.**

Service

1. **Lämna maskinen till en auktoriserad verkstad för service och underhåll med originalreservdelar.** Detta garanterar fortsatt säker användning av maskinen.
2. **Utför aldrig service av skadade batteripaket.** Service av skadade batteripaket får endast utföras av tillverkaren eller auktoriserade serviceleverantörer.

SPARA DESSA ANVISNINGAR.

⚠ VARNING: GLÖM INTE att också fortsättningsvis strikt följa säkerhetsanvisningarna för maskinen även efter att du blivit van att använda den.

Vid **FELAKTIG HANTERING** av maskinen eller om inte säkerhetsanvisningarna i denna bruksanvisning följs kan följden bli allvarliga personskador.

Viktiga säkerhetsanvisningar för batterikassetten

1. **Innan batterikassetten används ska alla instruktioner och varningsmärken på (1) batteriladdaren, (2) batteriet och (3) produkten läsas.**
2. **Montera inte isär batterikassetten.**
3. **Om drifttiden blivit avsevärt kortare ska användningen avbrytas omedelbart. Det kan uppstå överhettning, brännskador och t o m en explosion.**
4. **Om du får elektrolyt i ögonen ska de sköljas med rent vatten och läkare uppsöks omedelbart. Det finns risk för att synen förloras.**
5. **Kortslut inte batterikassetten.**
 - (1) **Rör inte vid polerna med något strömförande material.**
 - (2) **Undvik att förvara batterikassetten tillsammans med andra metallobjekt som t.ex. spikar, mynt o.s.v.**
 - (3) **Skydda batteriet mot vatten och regn. En batterikortslutning kan orsaka ett stort strömflöde, överhettning, brand och maskinhaveri.**
6. **Förvara inte maskinen och batterikassetten på platser där temperaturen kan nå eller överstiga 50 °C.**
7. **Bränn inte upp batterikassetten även om den är svårt skadad eller helt utsliten. Batterikassetten kan explodera i öppen eld.**
8. **Var försiktig så att du inte råkar tappa batteriet och utsätt det inte för stötar.**
9. **Använd inte ett skadat batteri.**
10. **De medföljande litiumjonbatterierna är föremål för kraven i gällande lagstiftning för farligt gods.** För kommersiella transporter (av t.ex. tredje parter som speditorsfirmor) måste de särskilda transportkrav som anges på emballaget och etiketter iakttas. För att förbereda den produkt som ska avsändas krävs att du konsulterar en expert på riskmaterial. Var också uppmärksam på att det i ditt land kan finnas ytterligare föreskrifter att följa. Tejpa över eller maskera blottade kontakter och packa batteriet på sådant sätt att det inte kan röra sig fritt i förpackningen.

- När batterikassetten ska kasseras måste den tas bort från maskinen och kasseras på ett säkert sätt. Följ lokala föreskrifter beträffande avfallshantering av batterier.
- Använd endast batterierna med de produkter som specificerats av Makita. Att använda batterierna med ej godkända produkter kan leda till brand, överdriven värme, explosion eller utläckande elektrolyt.
- Om maskinen inte används under en lång tid måste batteriet tas bort från maskinen.

SPARA DESSA ANVISNINGAR.

⚠ FÖRSIKTIGT: Använda endast äkta Makita-batterier. Användning av oäkta Makita-batterier eller batterier som har manipulerats kan leda till person- och utrustningsskador eller till att batteriet fattar eld. Det upphäver också Makitas garanti för verktyget och laddaren.

Tips för att uppnå batteriets maximala livslängd

- Ladda batterikassetten innan den är helt urladdad. Stanna alltid maskinen och ladda batterikassetten när du märker att maskinen blir svagare.
- Ladda aldrig en fulladdad batterikassett. Överladdning förkortar batteriets livslängd.
- Ladda batterikassetten vid en rumstemperatur på 10 °C - 40 °C. Låt en varm batterikassett svalna innan den laddas.
- Ladda batterikassetten om du inte har använt den på länge (mer än sex månader).

MONTERING

⚠ VARNING: Se alltid till att ta ut säkerhetsnyckeln och batterikassetten innan du utför något arbete på gräsklipparen. Underlåtenhet att ta ut säkerhetsnyckeln och batterikassetten kan leda till allvarlig personskada på grund av oavsiktlig start.

⚠ VARNING: Starta aldrig gräsklipparen om den inte är komplett monterad. Användning av en delvis monterad gräsklippare kan leda till allvarlig personskada på grund av oavsiktlig start.

Montera batterikåpan

⚠ VARNING: Sätt inte i säkerhetsnyckeln och batterikassetten innan du monterat batterikåpan. Om du gör detta kan det orsaka allvarlig personskada.

Montera batterikåpan helt innan användning. Batterikåpan skyddar gräsklipparen och batterikassetten från lera, smuts och vatten.

- Placera batterikåpan med gräsklipparens utsprång i linje med batterikåpanns hål.

► Fig.1: 1. Utsprång 2. Hål 3. Batterikåpa

- Placera händerna mitt på batterikåpan och tryck på den.

► Fig.2

- Innan du använder maskinen för första gången ska du kontrollera att batterikåpanns vridpunkter är rätt monterade. Om batterikåpan har monterats korrekt öppnas den inte förrän dess låsreglage dras.

► Fig.3: 1. Vridpunkt 2. Batterikåpanns låsreglage

Montera handtaget

OBSERVERA: Vid montering av handtagen ska kablarna placeras så att de inte fångas in av någonting mellan handtagen. Om kabeln är skadad kanske inte gräsklipparens startknapp fungerar.

- Skjut in båda ändar av det nedre handtaget i gräsklipparens spår och dra sedan åt låsskruvarna.

► Fig.4: 1. Låsskruv 2. Nedre handtaget

- Rikta in det övre handtagets skruvhål med hålen i det nedre handtaget. Säkra dem med låsskruvarna och spännmuttrarna.

► Fig.5: 1. Spännmutter 2. Låsskruv

OBS: Håll det övre handtaget i ett fast grepp så att det inte glider ur handen.

- Fäst hållarna till handtaget. Placera strömkabeln enligt figuren.

► Fig.6: 1. Hållare

Ta bort mulchingpluggen

Extra tillbehör

- Öppna den bakre luckan.

► Fig.7: 1. Bakre hölje

- Håll mulchingpluggen i handtaget och dra ut den från gräsklipparen enligt bilden.

► Fig.8: 1. Mulchingplugg 2. Handtag

Montera gräsuppsamlare

- Öppna den bakre luckan.

► Fig.9: 1. Bakre hölje

- Haka fast gräsuppsamlaren på stängan på gräsklipparen enligt figuren.

► Fig.10: 1. Krok 2. Stång 3. Gräsuppsamlare

Montera mulchingpluggen

Extra tillbehör

- Öppna den bakre luckan och ta sedan bort gräsuppsamlaren.

► Fig.11: 1. Bakre hölje 2. Gräsuppsamlare

- Håll mulchingpluggen i handtaget och fäst den på gräsklipparen enligt bilden.

► Fig.12: 1. Mulchingplugg 2. Handtag

FUNKTIONSBESKRIVNING

Montera eller demontera batterikassetten

⚠ FÖRSIKTIGT: Stäng alltid av maskinen innan du monterar eller tar bort batterikassetten.

⚠ FÖRSIKTIGT: Se till att du låser batterikåpan före användning. I annat fall kan lera, smuts eller vatten orsaka skada på produkten eller batterikassetten.

⚠ FÖRSIKTIGT: För alltid in batterikassetten helt tills den röda indikatorn inte längre syns. I annat fall kan den plötsligt lossna från maskinen och skada dig eller någon annan.

⚠ FÖRSIKTIGT: Montera inte batterikassetten med våld. Om kassetten inte lätt glider på plats är den felaktigt insatt.

OBS: Maskinen fungerar inte med endast en batterikasset.

För att montera batterikassetten.

1. Skjut på batterikåpanns låsreglage och öppna batterikåpan.

► **Fig.13:** 1. Batterikåpa 2. Batterikåpanns låsreglage

2. Rikta in batterikassetens tunga mot öppningen på gräsklipparen. Skjut sedan in kassetten tills den låser fast med ett litet klick.

► **Fig.14:** 1. Batterikasset

3. Sätt in säkerhetsnyckeln på platsen som visas i figuren, så långt det går.

► **Fig.15:** 1. Säkerhetsnyckel

4. Stäng batterikåpan och tryck på den tills den sitter fast med låsreglaget.

Ta bort batterikassetten från gräsklipparen;

1. Skjut på batterikåpanns låsreglage och öppna batterikåpan.

2. Dra ur batterikassetten från gräsklipparen samtidigt som du skjuter på knappen på kassetens framsida.

3. Dra ut säkerhetsnyckeln.

4. Stäng batterikåpan.

Skyddssystem för maskinen/batteriet

Maskinen är utrustad med ett batteriskyddssystem. Detta system bryter automatiskt strömmen till motorn för att förlänga verktygets och batteriets livslängd. Maskinen stannar automatiskt under användningen om maskinen eller batteriet hamnar i en av följande.

Överbelastningskydd

Om maskinen används på ett sätt som gör att den drar onormalt mycket ström kan den stoppas automatiskt utan någon varning. När detta sker stänger du av maskinen och upphör med arbetet som gjorde att den överbelastades. Starta därefter upp maskinen igen.

Överhettningsskydd

När maskinen överhettas stoppar den automatiskt. Låt maskinen svalna innan du startar den igen.

Överurladdningskydd

När batterikapaciteten är låg stoppar maskinen automatiskt. Om produkten inte fungerar trots att knapparna fungerar som de ska tar du bort batterierna från maskinen och laddar dem.

Indikerar kvarvarande batterikapacitet

► **Fig.16:** 1. Batteriindikator

När återstående batterikapacitet blir låg blinkar batteriindikatorn på den aktuella batterisidan. Vid ytterligare användning stoppar maskinen och batteriindikatorn tänds under cirka 10 sekunder. Ladda batterikassetten om detta inträffar.

Indikerar kvarvarande batterikapacitet

Endast för batterikassetter med indikator

► **Fig.17:** 1. Indikatorlampor 2. Kontrollknapp

Tryck på kontrollknappen på batterikassetten för att se kvarvarande batterikapacitet. Indikatorlamporna lyser i ett par sekunder.

| Indikatorlampor | | | Kvarvarande kapacitet |
|-----------------|----|---------|---------------------------|
| Upplyst | Av | Blinkar | |
| | | | 75% till 100% |
| | | | 50% till 75% |
| | | | 25% till 50% |
| | | | 0% till 25% |
| | | | Ladda batteriet. |
| | | | Batteriet kan ha skadats. |

OBS: Beroende på användningsförhållanden och den omgivande temperaturen kan indikationen skilja sig lätt från den faktiska batterikapaciteten.

Avtryckarens funktion

⚠ VARNING: Innan du monterar batterikassetten ska du alltid kontrollera att säkerhetsgreppet fungerar korrekt och går tillbaka till ursprungsläget när det släpps. Att använda en maskin med ett felaktigt säkerhetsgrepp kan leda till förlorad kontroll och allvarlig personskada.

OBS: Gräsklipparen startar inte utan att startknappen trycks in även om du drar in säkerhetsgreppet.

OBS: Det kan hända att gräsklipparen inte startar på grund av överbelastning när du försöker klippa långt eller tätt gräs. Öka i sådant fall kliphöjden.

Denna gräsklippare är utrustad med en spärrbrytare och handtagsbrytare. Om du lägger märke till något onormalt med någon av dessa brytare ska du genast sluta använda maskinen och låta ditt närmaste auktoriserade servicecenter för Makita kontrollera dem.

1. Sätt i batterikassetten. Sätt i säkerhetsnyckeln i spärrbrytaren och stäng batterikåpan.

► **Fig.18:** 1. Batterikassett 2. Säkerhetsnyckel

2. Tryck in och håll inne startknappen.

3. Greppa tag i det övre handtaget och dra i säkerhetsgreppet.

► **Fig.19:** 1. Startknapp 2. Säkerhetsgrepp

4. Släpp startknappen så fort motorn startar. Gräsklipparen kommer fortsätta att gå tills du släpper säkerhetsgreppet.

5. Släpp säkerhetsgreppet för att stanna motorn.

Justering av kliphöjden

⚠ VARNING: Placera aldrig handen eller foten under gräsklipparen när du justerar kliphöjden.

⚠ VARNING: Kontrollera alltid att spaken sitter ordentligt i spåret före användning.

Kliphöjden kan justeras mellan 20 mm och 75 mm.

1. Ta ut säkerhetsnyckeln.

2. Dra justeringsspaken för kliphöjd ut från gräsklipparen och flytta den till önskad kliphöjd.

► **Fig.20:** 1. Justeringsspak för kliphöjd

OBS: Kliphöjdsiffrorna bör endast användas som en riktlinje. Beroende på gräsmattans eller underlagets förhållanden kan den verkliga kliphöjden skilja sig något från den inställda höjden.

OBS: Gör en testklippning i ett mindre synligt område för att få önskad höjd.

Indikator för gräsnivå

► **Fig.21:** 1. Indikator för gräsnivå

Indikatorn för gräsnivå visar mängden gräs som har klippts.

- Om gräsupsamlaren inte är full flyter indikatorn under klippningen.
- Om gräsupsamlaren är full flyter inte indikatorn under klippningen. Om detta är fallet stoppar du omedelbart klippningen och tömmer uppsamlaren. När du har tömt uppsamlaren rengör du den så att dess gallernät släpper igenom luft.

OBS: Denna indikator ger en grov uppskattning. Beroende på förhållandena inuti uppsamlaren fungerar eventuellt inte denna indikator på rätt sätt.

Använda mulchingpluggen

Extra tillbehör

Med mulchingpluggen kan du lämna det klippta gräset på marken utan att samla upp gräset i gräsupsamlaren. När du använder maskinen med mulchingpluggen måste du se till att ta bort gräsupsamlaren.

OBSERVERA: När maskinen används med mulchingpluggen måste du se till att gräsets totala längd är 30 mm eller mer, eller att den kapade längden är 15 mm eller mindre.

► **Fig.22:** (1) 30 mm eller mer (2) 15 mm eller mindre

ANVÄNDNING

Gräsklippning

⚠ VARNING: Före gräsklippningen ska alla pinnar och stenar i klippområdet tas bort. Ta också bort ogräs i förväg.

⚠ VARNING: Bär alltid korgglasögon eller skyddsglasögon med sidoskydd när du använder gräsklipparen.

⚠ FÖRSIKTIGT: Om avklippt gräs eller främmande föremål täpper till inuti gräsklipparen, se då till att ta bort säkerhetsnyckeln och batterikassetten och ha handskar på innan du tar bort gräset eller det främmande föremålet.

OBSERVERA: Använd endast denna maskin för att klippa gräsmattor. Klipp inte ogräs med denna maskin.

► **Fig.23**

Håll stadigt i handtaget med båda händerna vid gräsklippningen.

Riktlinjen för gräsklippning är ca 1 meter för var 4:e sekund.

► **Fig.24**

Framhjulens ytterkanter är klippbreddens riktlinje. Använd framhjulens ytterkanter som riktlinje och klipp i rader. Överlappa med en halv till en tredjedel på tidigare rad för att klippa gräsmattan jämnt.

► **Fig.25:** 1. Klippbredd 2. Överlappande område 3. Yttersida

Ändra klippriktning varje gång för att förhindra mönster i gräsmattan i bara en riktning.

► **Fig.26**

Kontrollera då och då att gräsupsamlaren inte är full. Töm gräsupsamlaren innan den är full. Före varje regelbunden kontroll ska gräsklipparen stängas av och säkerhetsnyckeln och batterikassetten tas ut.

OBSERVERA: Användning av gräsklipparen med en full gräsupsamlare förhindrar smidig knivrotation och lägger en extra belastning på motorn, vilket kan orsaka motorstopp.

Klippning av högt gräs

Försök inte att klippa högt gräs på en och samma gång. Istället klipper du gräsmattan i omgångar. Klipp med en eller två dagars mellanrum tills gräsmattan är jämnt klippt.

OBS: Att klippa högt gräs kort på en och samma gång kan leda till att gräset dör. Det klippta gräset kan också täppa igen undersidan av gräsklipparen.

Tömma gräsupsamlaren

⚠️ VARNING: För att undvika risken för olyckor ska gräsupsamlaren kontrolleras regelbundet så att skada eller försvagning inte har uppstått. Byt ut gräsupsamlaren om så krävs.

1. Släpp säkerhetsgreppet.
2. Ta ut säkerhetsnyckeln.
3. Öppna det bakre höljet och ta ut gräsupsamlaren med hjälp av handtaget.
▶ **Fig.27:** 1. Bakre hölje 2. Handtag
4. Töm gräsupsamlaren.

UNDERHÅLL

⚠️ VARNING: Se alltid till att säkerhetsnyckeln och batterikassetten tas ut från gräsklipparen innan du tar den i förvar, bär den eller försöker utföra kontroll eller underhåll på den.

⚠️ VARNING: Ta alltid ut säkerhetsnyckeln när gräsklipparen inte används. Förvara säkerhetsnyckeln på en säker plats utom räckhåll för barn.

⚠️ VARNING: Bär handskar vid kontroll eller underhåll.

⚠️ VARNING: Bär alltid korgglasögon eller skyddsglasögon med sidoskydd när du utför kontroll eller underhåll.

OBSERVERA: Använd inte bensin, förtunningsmedel, alkohol eller liknande. Missfärgning, deformation eller sprickor kan uppstå.

För att upprätthålla produktens SÄKERHET och TILLFÖRLITLIGHET bör allt underhålls- och justeringsarbete utföras av ett auktoriserat Makita servicecenter och med reservdelar från Makita.

Underhåll

1. Ta ut säkerhetsnyckeln. Förvara den på en säker plats utom räckhåll för barn.
2. Rengör gräsklipparen med en våt trasa. Spruta eller håll inte vatten på gräsklipparen vid rengöring.
3. Placera gräsklipparen på sidan och ta bort avklippt gräs som har samlats på undersidan av gräsdäcket.
4. Kontrollera åtdragningen av alla muttrar, bultar, vred, skruvar, fästnanordningar osv.
5. Kontrollera om klippdelar är skadade, trasiga eller utslitna. Skadade eller saknade delar bör repareras eller bytas ut.

Förvaring

⚠️ VARNING: När du bär eller förvarar gräsklipparen ska du inte hålla i de hopvikta handtagen, utan i det främre handtaget på gräsklipparen. Att hålla i de hopvikta handtagen kan leda till allvarlig personskada eller att gräsklipparen skadas.

Batterikassetten och säkerhetsnyckeln ska tas ut innan gräsklipparen förvaras.

Förvara gräsklippare inomhus på en kall, torr och låst plats. Förvara inte gräsklipparen och laddaren på platser där temperaturen kan nå eller överstiga 40 °C.

▶ **Fig.28:** 1. Främre handtaget 2. Bakre handtaget

1. Lossa låsskruvarna och dra ut det nedre handtaget åt båda sidor. För handtaget framåt. Håll nu ett fast grepp i det nedre handtaget så att det inte faller ned till gräsklipparens borte sida.

▶ **Fig.29:** 1. Låsskruv 2. Nedre handtaget

2. Lossa spännmuttrarna och vrid tillbaka det övre handtaget samtidigt som du drar det utåt åt båda sidor.

▶ **Fig.30:** 1. Spännmutter 2. Övre handtaget

3. Förvara gräsupsamlaren mellan handtaget och gräsklipparen.

▶ **Fig.31:** 1. Gräsupsamlare

OBS: När du placerar gräsklipparen i upprätt läge ska du inte hålla i handtaget, utan använda gräsklipparens främre handtag.

Ta bort eller montera gräsklipparkniven

⚠️ VARNING: Ta alltid ut säkerhetsnyckeln och batterikassetten när du tar bort eller monterar kniven. Underlåtelse att ta ut säkerhetsnyckeln och batterikassetten kan leda till allvarlig skada.

⚠️ VARNING: Kniven snurrar i några sekunder efter att säkerhetsgreppet har släppts. Påbörja inget arbete med kniven förrän den har stannat helt.

⚠️ VARNING: Bär alltid handskar när du hanterar kniven.

Ta bort gräsklipparkniven

För DLM382

1. Placera gräsklipparen på sidan så att justeringsspaken för kliphöjd är vänd uppåt.
2. Lås knivens rotation genom att sätta i en skruvmejsel eller liknande i hålet längst in på gräsklipparen.
3. Vrid bulten moturs med nyckeln.
▶ **Fig.32:** 1. Gräsklipparkniv 2. Skruvmejsel 3. Nyckel
4. Ta bort bulten och kniven i ordning.
▶ **Fig.33:** 1. Knivsupport 2. Gräsklipparkniv 3. Bult

För DLM432

1. Placera gräsklipparen på sidan så att justerings-spaken för klipp höjd är vänd uppåt.
2. Lås knivens rotation genom att sätta i en skruvmejsel eller liknande i hålet längst in på gräsklipparen.
3. Vrid bulten moturs med nyckeln.
► **Fig.34:** 1. Gräsklipparkniv 2. Skruvmejsel 3. Nyckel
4. Ta bort bulten, den yttre flänsen, gräsklipparkniven och den inre flänsen i denna ordning.
► **Fig.35:** 1. Inre fläns 2. Gräsklipparkniv 3. Yttre fläns 4. Bult

Installera gräsklipparkniven

Montera gräsklipparkniven genom att följa borttagnings-proceduren i omvänd ordning.

⚠ VARNING: Montera gräsklipparkniven försiktigt. Den har en sida som ska vara uppåt och en som ska vara nedåt. Placera kniven så att rotationsriktningsspilen är riktad utåt.

⚠ VARNING: Dra åt bulten medurs ordentligt för att fästa kniven.

⚠ VARNING: Se till att gräsklipparkniven och alla fixeringsdelarna monteras korrekt och dras åt ordentligt.

⚠ VARNING: När du byter ut knivarna ska du alltid följa anvisningarna i denna bruksanvisning.

FELSÖKNING

Innan du ber om reparation ska du först utföra en egen kontroll. Om du hittar ett problem som inte finns förklarat i bruksanvisningen ska du inte försöka att ta isär maskinen. Fråga istället ett auktoriserad servicecenter för Makita, och använd alltid reservdelar från Makita för reparationer.

| Feltillstånd | Trolig orsak (felsfunktion) | Åtgärd |
|---|--|--|
| Gräsklipparen startar inte. | Två batterikassetter är inte insatta. | Sätt i de laddade batterikassetterna. |
| | Batteriproblem (underspänning) | Ladda batterikassetten på nytt. Om laddning inte hjälper byter du ut batterikassetten. |
| | Säkerhetsnyckeln är inte i. | Sätt i säkerhetsnyckeln. |
| Motorn stannar efter en kort stunds användning. | Batterinivån är låg. | Ladda batterikassetten på nytt. Om laddning inte hjälper byter du ut batterikassetten. |
| | Klipphöjden är för låg. | Öka klipphöjden. |
| Motorn når inte det maximala varvtalet. | Batterikassetten är felaktigt insatt. | Sätt i batterikassetten enligt anvisningarna i denna bruksanvisning. |
| | Batterinivån sjunker. | Ladda batterikassetten på nytt. Om laddning inte hjälper byter du ut batterikassetten. |
| | Drivsystemet fungerar inte som det ska. | Lämna in till ditt lokala auktoriserade servicecenter för reparation. |
| Gräsklipparkniven roterar inte: ⇒ stoppa gräsklipparen omedelbart! | Ett främmande föremål som t.ex. en gren har fastnat nära kniven. | Ta bort det främmande föremålet. |
| | Drivsystemet fungerar inte som det ska. | Lämna in till ditt lokala auktoriserade servicecenter för reparation. |
| Onormal vibration: ⇒ stoppa gräsklipparen omedelbart! | Kniven är obalanserad, överdrivet eller ojämnt utsliten. | Byt ut kniven. |

VALFRIA TILLBEHÖR

⚠ FÖRSIKTIGT: Följande tillbehör eller tillsatser rekommenderas för användning med den Makita-maskin som denna bruksanvisning avser. Om andra tillbehör eller tillsatser används kan det uppstå risk för personskador. Använd endast tillbehören eller tillsatserna för de syften de är avsedda för.

Kontakta ditt lokala Makita servicecenter om du behöver ytterligare information om dessa tillbehör.

- Gräsklipparkniv
- Mulchingplugg
- Makitas originalbatteri och laddare

OBS: Några av tillbehören i listan kan vara inkluderade i maskinpaketet som standardtillbehör. De kan variera mellan olika länder.

TEKNISKE DATA

| Modell: | | DLM382 | DLM432 |
|---|-----------------------------------|---|---|
| Kuttebredde (knivdiameter) | | 380 mm | 430 mm |
| Hastighet uten belastning | | 3 700 min ⁻¹ | 3 600 min ⁻¹ |
| Delenummer for reserve gressklipperkniv | | 191D41-2 | 191D43-8 |
| Mål (L x B x H) | ved bruk | L: 1 380 mm til 1 410 mm B: 450 mm H: 985 mm til 1 005 mm | L: 1 435 mm til 1 490 mm B: 460 mm H: 1 005 mm til 1 045 mm |
| | ved lagring (uten gresskurven) | 860 mm x 450 mm x 475 mm | 865 mm x 460 mm x 475 mm |
| Merkespenning | | DC 36 V | |
| Nettovekt | | 16,2 - 16,9 kg | 16,8 - 17,5 kg |

- På grunn av vårt kontinuerlige forsknings- og utviklingsprogram kan spesifikasjonene som oppgis i dette dokumentet endres uten varsel.
- Spesifikasjonene kan variere fra land til land.
- Vekten kan variere avhengig av tilbehør/tilbehørene, inkludert batteriet. Den letteste og tyngste kombinasjonen, i henhold til EPTA-prosedyre 01/2014, vises i tabellen.

Standard batteri








BL1815N / BL1820 / BL1820B / BL1830 / BL1830B / BL1840 / BL1840B / BL1850 / BL1850B / BL1860B

- Noen av batteriene som er opplistet ovenfor er kanskje ikke tilgjengelige, avhengig av hvor du bor.

⚠ ADVARSEL: Bruk kun de batteriene som er opplistet ovenfor. Bruk av andre batterier kan føre til personskader og/eller brann.

Symboler

Nedenfor ser du symbolene som brukes for dette utstyret. Forviss deg om at du forstår hva de betyr, før du begynner å bruke maskinen.

| | |
|--|--|
|  | Vær spesielt forsiktig og oppmerksom. |
|  | Les bruksanvisningen. |
|  | Vær oppmerksom på at objekter kan bli kastet ut. |
|  | Avstanden mellom maskinen og andre personer enn operatøren må være minst 15 m. |
|  | Plasser aldri hender og føtter nær bladene under gressklipperen. Knivene fortsetter å rotere etter at motoren er slått av. |
|  | Fjern låsenøkkel før gressklipperen inspiseres, justeres, rengjøres, mottar service, forlates og oppbevares. |
|  | Kun for EU-land Kast aldri elektroutstyr eller batteripakker i husholdningsavfallet! I henhold til EU-direktivene om kasserte elektriske og elektroniske produkter, og om batterier og akkumulatører og brukte batterier og akkumulatører og direktivenes iverksettning i nasjonal rett, må elektriske produkter og batterier og batteripakker som ikke lenger skal brukes, samles separat og returneres til et miljøvennlig gjenvinningsanlegg. |

Riktig bruk

Denne maskinen er kun laget for gressklipping.

Støy

Typisk A-vektet lydtryknivå er bestemt i henhold til EN60335-2-77:

Modell DLM382

Lydtryknivå (L_{pA}): 81 dB (A)
Lydeffektnivå (L_{WA}): 91 dB (A)
Usikkerhet (K): 3 dB (A)

Modell DLM432

Lydtryknivå (L_{pA}): 81 dB (A)
Lydeffektnivå (L_{WA}): 92 dB (A)
Usikkerhet (K): 3 dB (A)

MERK: Den/de oppgitte verdien(e) for genererte vibrasjoner har blitt målt i henhold til standard testmetoder, og kan bli brukt til å sammenligne ett verktøy med et annet.

MERK: Den/de angitte verdien(e) for de genererte vibrasjonene kan også brukes til en foreløpig vurdering av eksponeringen.

⚠ ADVARSEL: Bruk hørselsvern.

⚠ ADVARSEL: De genererte vibrasjonene ved faktisk bruk av elektroverktøyet kan avvike fra den/de angitte vibrasjonsverdien(e), avhengig av hvordan verktøyet brukes.

⚠ ADVARSEL: Sørg for å identifisere vernetiltak for å beskytte operatøren, som er basert på et estimat av eksponeringen under de faktiske bruksforholdene (idet det tas hensyn til alle deler av driftssyklusen, dvs. hvor lenge verktøyet er slått av, hvor lenge det går på tomgang og hvor lenge startbryteren faktisk holdes trykket).

Vibrasjoner

Den totale vibrasjonsverdien (triaksial vektorsum) bestemt i henhold EN60335-2-77:

Modell DLM382

Genererte vibrasjoner (a_h): 2,5 m/s² eller mindre
Usikkerhet (K): 2,0 m/s²

Modell DLM432

Genererte vibrasjoner (a_h): 2,5 m/s² eller mindre
Usikkerhet (K): 1,5 m/s²

MERK: Den/de oppgitte verdien(e) for totalt genererte vibrasjoner har blitt målt i henhold til standard testmetoder, og kan bli brukt til å sammenligne ett verktøy med et annet.

MERK: Den/de angitte verdien(e) for totalt genererte vibrasjoner kan også brukes til en foreløpig vurdering av eksponeringen.

⚠ ADVARSEL: De genererte vibrasjonene ved faktisk bruk av elektroverktøyet kan avvike fra den/de angitte vibrasjonsverdien(e), avhengig av hvordan verktøyet brukes og spesielt i forhold til arbeidsstykket som blir behandlet.

⚠ ADVARSEL: Sørg for å identifisere vernetiltak for å beskytte operatøren, som er basert på et estimat av eksponeringen under de faktiske bruksforholdene (idet det tas hensyn til alle deler av driftssyklusen, dvs. hvor lenge verktøyet er slått av, hvor lenge det går på tomgang og hvor lenge startbryteren faktisk holdes trykket).

EFs samsvarserklæring

Gjelder kun for land i Europa

EFs samsvarserklæring er lagt til som vedlegg A i denne bruksanvisningen.

SIKKERHETSADVARSEL

VIKTIGE SIKKERHETSINSTRUKSJONER

⚠ ADVARSEL: Les alle sikkerhetsadvarslene og alle instruksjonene. Hvis du ikke følger alle advarslene og instruksjonene som er oppført nedenfor, kan det føre til elektriske støt, brann og/eller alvorlige helseskader.

Oppbevar alle advarsler og instruksjoner for senere bruk.

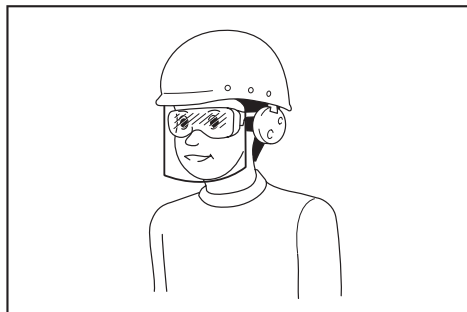
Opplæring

1. Les nøye gjennom bruksanvisningen. Gjør deg kjent med kontrollene, og sett deg inn i hvordan gressklipperen fungerer.
2. La aldri barn eller personer som ikke er kjent med denne bruksanvisningen bruke gressklipperen. Lokale bestemmelser kan omfatte aldersgrenser for bruk av utstyret.
3. Aldri bruk gressklipperen mens uvedkommende (særlig barn og kjæledyr) er tilstede.

4. Vær oppmerksom på at operatøren eller brukeren er ansvarlig for ulykker eller skader som berører andre personer eller deres eiendom.
5. Barn skal holdes under tilsyn for å sikre at de ikke leker med gressklipperen.
6. Fysisk form - Bruk ikke gressklipperen under påvirkning av narkotika, alkohol eller noen medikamenter.

Klargjøring

1. Bruk alltid solid fottøy og lange benklær når gressklipperen brukes. Ikke bruk gressklipperen barbeint eller med åpne sandaler. Unngå klær og smykker som er løse eller har hengende snorer eller bånd. De kan sette seg fast i bevegelige deler.
2. Før bruk skal gressklipperen alltid kontrolleres visuelt med tanke på skade, manglende eller feilplasserte vern eller skjermmer.
3. Sørg for at ingen andre personer befinner seg på området før du begynner å klippe. Stans gressklipperen hvis noen kommer inn på området.
4. Ikke sett låsenøkkelen i gressklipperen før den er klar til bruk.
5. Bruk alltid vernebriller for å beskytte øynene mot skade når du bruker elektroverktøy. Brillene må oppfylle kravene i ANSI Z87.1 i USA, EN 166 i Europa eller AS/NZS 1336 i Australia/New Zealand. I Australia/New Zealand er det dessuten lovpålagt å bruke et ansiktsvern for å beskytte ansiktet.



Det er arbeidsgivers ansvar å påse at verktøyoperatørene og alle andre personer i arbeidsområdets umiddelbare nærhet bruker riktig verneutstyr.

6. Før bruk må du kontrollere nøye at knivene eller knivboltene ikke har sprekker eller andre skader. Skift ut sprukne eller ødelagte kniver eller knivbolter omgående.
7. Før bruk av gressklipperen, fjern fremmedlegemer fra arbeidsområdet, som for eksempel steiner, ledninger, flasker, bein og store pinner, for å hindre helseskade eller skade på gressklipperen.
8. Gjenstander som slår mot gressklipperen, kan forårsake alvorlig helseskade. Plenen bør alltid undersøkes nøye og alle objekter fjernes før hver klipping.
9. Se opp for hull, furer, dumper, steiner eller andre skjulte gjenstander. Ujevnt terreng kan forårsake en skli- og fallulykke. Høyt gress kan skjule gjenstander.

Bruk

- Ikke strekk deg for langt. Pass alltid på at du holder balansen. Sørg alltid for å ha godt fotfeste i skråninger. Gå, løp aldri.
- Stopp gressklipperen og ta ut låsenøkkelen, og kontroller at alle bevegelige deler har stoppet helt opp:
 - alltid når du forlater gressklipperen,
 - før du fjerner ting som har satt seg fast eller renser rennen,
 - før kontroll, rengjøring eller arbeid på gressklipperen,
 - etter at du har slått borti et fremmedlegeme.Kontroller gressklipperen med tanke på skade, og reparer før ny oppstart og bruk av gressklipperen,
 - når utstyret begynner å vibrere unormalt kraftig.
- Aldri bruk en gressklipper som har defekte vern eller beskyttelse, eller som ikke har sikkerhetsutstyr som for eksempel deflektorer og/eller gresskurv på plass.
- Unngå å bruke gressklipperen under dårlige værforhold, spesielt hvis det er fare for lyn.
- Du må alltid ha på deg vernebriller og solide sko når du bruker gressklipperen.
- Gressklipperen skal kun brukes i dagslys eller ved god kunstig belysning.
- Start gressklipperen forsiktig i henhold til instruksjonene og hold føttene på god avstand fra bladene.
- Ta nødvendige forholdsregler for å unngå at gressklipperknivene skader føtter eller hender.
- Pass på at ventilasjonsåpningene alltid holdes fri for rusk og rask.
- Klipp på tvers av skråninger, aldri oppover og nedover. Vær svært forsiktig under endring av retning i skråninger. Ikke klipp altfor bratte skråninger.
- Vær svært forsiktig når du rygger eller trekker gressklipperen mot deg.
- Stans bladene hvis gressklipperen må skråstilles for transportering, ved kryssing av overflater som ikke er gress og under transportering av gressklipperen til og fra området der den skal brukes.
- Ikke skråstill gressklipperen når motoren slås på, unntatt når gressklipperen må skråstilles for oppstart. I så fall må den ikke skråstilles mer enn absolutt nødvendig, og det er bare delen som er vendt bort fra brukeren som skal løftes. Forsikre deg alltid om at begge hendene er i arbeidsstilling før du setter gressklipperen tilbake på bakken.
- Ikke plasser hender og føtter nær eller under roterende deler. Hold avstand fra avløpsåpningen til enhver tid.
- Ikke transporter gressklipperen mens den er påslått.
- Unngå å bruke gressklipperen på vått gress.
- Aldri bruk gressklipperen i regn.
- Hold alltid godt fast i håndtaket.
- Ikke grip tak i skjæreblader eller skjærekanten når du plukker opp eller holder i gressklipperen.
- Hold hender og føtter i god avstand fra de roterende bladene. Forsiktig - knivene fortsetter å rotere etter at gressklipperen er slått av.
- Stans arbeidet umiddelbart dersom du noterer noe uvanlig. Slå av gressklipperen, og ta ut låsenøkkelen. Undersøk så gressklipperen.
- Du må aldri justere kutteøyden mens gressklipperen svinger hvis gressklipperen er utstyrt med funksjonen for justering av kutteøyde.
- Slipp startbryteren og vent til knivene slutter å rotere før du krysser oppkjørsler, stier, veier og alle grusbelagte områder. I tillegg må du ta ut låsenøkkelen hvis du forlater gressklipperen, skal plukke opp noe eller fjerne noe som ligger i veien, eller hvis noe av en eller annen grunn avleder deg fra det du holder på med.
- Hvis gressklipperen slår mot et fremmedlegeme, følger du disse trinnene:
 - Stans gressklipperen, slipp startbryteren og vent til bladene stanser helt.
 - Ta ut låsenøkkelen og batteriet.
 - Undersøk gressklipperen nøye for skader.
 - Erstatt bladet om det på noen måte skulle være skadet. Reparer alle skader før ny oppstart og fortsatt bruk av gressklipperen.
- Ikke start gressklipperen mens du står foran avløpsåpningen.
- Hvis gressklipperen begynner å vibrere uvanlig mye (undersøk umiddelbart)
 - inspiser for skader,
 - skift ut eller reparer enhver skadet del,
 - kontroller og stram enhver løs del.
- Du må aldri rette materiale som kommer ut mot andre personer. Unngå å rette materiale som kommer ut mot en vegg eller hindring. Materiale kan bli slynget tilbake mot operatøren. Stopp kniven når du krysser grusunderlag.
- Ikke dra gressklipperen bakover med mindre det er helt nødvendig. Når du er nødt til å rygge gressklipperen bort fra et gjerde eller lignende, ser du ned og bak deg før og mens du beveger deg bakover.
- Slå av motoren, og vent til kniven stopper helt opp før du tar av gressfangeren. Vær oppmerksom på at knivene beveger seg selv om gressklipperen er slått av.

Vedlikehold og oppbevaring

- Erstatt slitte og skadete deler for å trygge sikkerheten. Bruk kun originale reservedeler og tilbehør.
- Kontroller og vedlikehold gressklipperen regelmessig.
- Når gressklipperen ikke er i bruk, må den holdes utenfor barns rekkevidde.
- Pass på at alle muttere, bolter og skruer sitter fast for å sikre at utstyret er i god stand.
- Sjekk gresskurven ofte for slitasje eller skader. For oppbevaring må du alltid sørge for at gresskurven er tom. Av hensyn til sikkerhet må en slitt gresskurv alltid skiftes ut med en ny fabrikkprodusert gresskurv.
- Bruk kun produsentens originale blader som spesifisert i denne bruksanvisningen.
- Vær forsiktig under justering av gressklipperen slik at fingrene ikke befinner seg mellom roterende blader og gressklipperens faste deler.

8. Ikke vask med slange; unngå at det kommer vann inn i motoren og elektriske koblinger.
9. Kontroller hyppig at bladets festebolt sitter ordentlig fast.
10. La alltid gressklipperen avkjøles før den settes til oppbevaring.
11. Under service på bladene, vær oppmerksom på at selv om strømkilden er avslått, kan bladene fremdeles bevege seg.
12. Du må aldri fjerne eller klusse med sikkerhetsutstyr. Kontroller regelmessig at det fungerer som det skal. Du må aldri gjøre noe for å hindre den tiltenkte funksjonen til sikkerhetsutstyr eller for å redusere beskyttelsen som sikkerhetsutstyr gir.

Bruk og vedlikehold av batteridrevne maskiner

1. Batteriet må kun lades opp igjen med en lader spesifisert av produsenten. En lader som passer til én batteritype, kan være brannfarlig når den brukes med en annen batteritype.
2. Bruk elektroverktøy kun med spesifikt angitte batterier. Hvis det brukes et hvilket som helst annet batteri, kan dette utgjøre en fare for helse-skader og brann.
3. Når batteriet ikke er i bruk, må du holde verktøyet unna metallgjenstander som f.eks. binders, mynter, nøkler, spiker, skruer og andre små metallgjenstander som kan skape forbindelse mellom de to polene. Hvis batteripolene kortsluttes, kan du få brannår, eller det kan begynne å brenne.
4. Hvis batteriet utsettes for hardhendt bruk, kan det lekkе væske fra batteriet. Unngå kontakt med væsken. Hvis du kommer i kontakt med batterivæsken, må du skylle med vann. Hvis du får batterivæske i øynene, må du i tillegg oppsøke lege. Væske som kommer ut av batteriet, kan forårsake irritasjon eller forbrenninger.
5. Ikke bruk et batteri eller verktøy som er skadet eller endret på. Batterier som er skadet eller endret på kan oppføre seg upålitelig og medføre brann, eksplosjon eller fare for personskader.
6. Et batteri eller verktøy må ikke utsettes for brann eller for høy temperatur. Brann eller en temperatur over 130 °C kan forårsake eksplosjon.
7. Følg alle ladeinstruksjoner, og ikke lad batteriet eller verktøyet utenfor temperaturområdet som er angitt i instruksjonene. Feil lading eller ved temperaturer utenfor det angitte området, kan skadet batteriet og øke faren for brann.

Elektrisk sikkerhet og batterisikkerhet

1. Ikke kast batteriet (batteriene) på åpen ild. Cellen kan eksplodere. Batterier skal leveres til en forhandler av elektroutstyr eller til et kommunalt avfallsmottak.
2. Ikke åpne eller ødelegg batteriet (batteriene). Elektrolytt som lekker ut er korroderende, og kan forårsake skader på øyne og hud. Den kan være giftig hvis den svelges.
3. Ikke skift batteri når det regner, eller i fuktige omgivelser.
4. Ikke lad batteriet utendørs.
5. Ikke håndter laderen, inkludert laderstøpset og laderterminalene, med våte hender.

Service

1. La en kvalifisert reparatør utføre service på det elektriske verktøyet ditt, og se til at vedkommende kun bruker originale reservedeler. Dette vil opprettholde sikkerheten til det elektriske verktøyet.
2. Aldri foreta service på skadde batterier. Service på batterier skal kun utføres av produsenten eller godkjente serviceleverandører.

TA VARE PÅ DISSE INSTRUKSENE.

⚠ ADVARSEL: IKKE LA hensynet til hva som er "behagelig" eller det faktum at du kjenner produktet godt (etter mange gangers bruk) gjøre deg mindre oppmerksom på sikkerhetsreglene for bruken av det aktuelle produktet.

Ved MISBRUK eller hvis ikke sikkerhetsreglene i denne bruksanvisningen følges, kan det oppstå alvorlig personskade.

Viktige sikkerhetsanvisninger for batteriinnsetts

1. Før du begynner å bruke batteriet, må du lese alle anvisninger og forsiktighetsregler på (1) batteriladeren, (2) batteriet og (3) det produktet batteriet skal brukes i.
2. Ikke ta fra hverandre batteriet.
3. Hvis driftstiden er blitt vesentlig kortere, må du omgående slutte å bruke maskinen. Hvis ikke kan resultatet bli overoppføring, mulige forbrenninger eller til og med en eksplosjon.
4. Hvis du får elektrolytt i øynene, må du skylle dem med store mengder rennende vann og oppsøke lege med én gang. Denne typen uhell kan føre til varig blindhet.
5. Ikke kortslett batteriet:
 - (1) De kan være ekstremt varme og du kan brenne deg.
 - (2) Ikke lagre batteriet i samme beholder som andre metallgjenstander, som for eksempel spiker, mynter osv.
 - (3) Ikke la batteriet komme i kontakt med vann eller regn.
 En kortslutning av batteriet kan føre til et kraftig strømstøt, overoppvarming, mulige forbrenninger og til og med til at batteriet går i stykker.
6. Ikke lagre maskinen og batteriet på steder hvor temperaturen kan komme opp i eller overskride 50 °C.
7. Ikke sett fyr på batteriet, ikke engang om det er sterkt skadet eller helt utslitt. Batteriet kan eksplodere hvis det begynner å brenne.
8. Vær forsiktig så du ikke mister batteriet eller utsetter det for slag.
9. Ikke bruk batterier som er skadet.
10. Lithium-ion-batteriene som medfølger er gjenstand for krav om spesialavfall. For kommersiell transport, f.eks. av tredjeparter eller spedtører, må spesielle krav om pakking og merking følges.

Før varen blir sendt, må du forhøre deg med en ekspert på farlig materiale. Ta også hensyn til muligheten for mer detaljerte nasjonale bestemmelser.

Bruk teip eller maskeringsteip for å skjule åpne kontakter og pakk inn batteriet på en slik måte at den ikke kan bevege seg rundt i emballasjen.

11. Når du kasserer batteriinnsetsen, må du ta den ut av verktøyet og avhende den på et sikkert sted. Følg lokale bestemmelser for avhending av batterier.
12. Bruk batteriene kun med produkter spesifisert av Makita. Montere batteriene i produkter som ikke er konforme kan føre til brann, overheting eller elektrolyttlekkasje.
13. Hvis verktøyet ikke skal brukes over en lengre periode, må batteriet tas ut av verktøyet.

TA VARE PÅ DISSE INSTRUKSENE.

⚠FORSIKTIG: Bruk kun originale Makita-batterier. Bruk av batterier som har endret seg, eller som ikke er originale Makita-batterier, kan føre til at batteriet sprekker og forårsaker brann, personskader og andre skader. Det vil også ugyldiggjøre garantien for Makita-verktøyet og -laderen.

Tips for å opprettholde maksimal batterilevetid

1. Lad batteriinnsetsen før den er helt utladet. Stopp alltid driften av verktøyet og lad batteriinnsetsen når du merker at effekten reduseres.
2. Lad aldri en batteriinnsets som er fulladet. Overopplading forkorter batteriets levetid.
3. Lad batteriet i romtemperatur ved 10 °C - 40 °C. Et varmt batteri må kjøles ned før lading.
4. Lad batteriet hvis det ikke har vært brukt på en lang stund (over seks måneder).

MONTERING

⚠ADVARSEL: Sørg alltid for at låsenøkkelen og batteriet er fjernet for det utføres noe arbeid på gressklipperen. Hvis ikke låsenøkkelen og batteriet fjernes, kan dette forårsake alvorlig personskade ved tilfeldig oppstartning.

⚠ADVARSEL: Start aldri opp gressklipperen før det er fullstendig montert. Bruk av maskinen i en delvis montert tilstand, kan føre til alvorlig personskade som følge av utilsikket oppstart.

Montere batteridekselet

⚠ADVARSEL: Du må ikke sette inn låsenøkkelen og batteriet før du monterer batteridekselet. Hvis du ikke følger denne anbefalingen, kan det resultere i alvorlige helseskader.

Sett batteridekselet riktig på plass før bruk. Batteridekselet beskytter gressklipperen og batteriet mot gjørm, jord og vann.

1. Plasser batteridekselet med de utstikkende delene på gressklipperen rettet inn med hullene på batteridekselet.

► Fig.1: 1. Utstikkende deler 2. Hull 3. Batterideksel

2. Legg hendene på midten av batteridekselet, og trykk det ned.

► Fig.2

3. Før du tar verktøyet i bruk for første gang, må du kontrollere at dreiepunktet til batteridekselet er festet på riktig måte. Hvis batteridekselet er riktig montert, åpnes det ikke før du trekker i batteridekselets låsespåk.

► Fig.3: 1. Dreiepunkt 2. Batteridekselets låsespåk

Montering av håndtaket

OBS: Ved montering av håndtak, plasser ledningene slik at de ikke blir sittende fast i noe mellom håndtakene. Hvis ledningen er skadet kan det hende at gressklipperbryteren ikke virker.

1. Skyv begge ender av det nederste håndtaket inn i sporene i gressklipperen og stram klemmeskruene godt.

► Fig.4: 1. Klemmeskrue 2. Nedre håndtak

2. Juster skruhellene på det øvre og nedre håndtaket. Fest dem med klemmeskruene og mutrene.

► Fig.5: 1. Låsemutter 2. Klemmeskrue

MERK: Holde det øverste håndtaket godt, slik at du ikke mister grepet.

3. Fest holderne til håndtaket. Plasser strømledningene som vist på bildet.

► Fig.6: 1. Holder

Ta av utstyret for bioklipping

Valgfritt tilbehør

1. Åpne bakdekselet.

► Fig.7: 1. Bakdekselet

2. Hold utstyret for bioklipping i håndtaket, og trekk det deretter ut fra gressklipperen som vist i figuren.

► Fig.8: 1. Utstyr for bioklipping 2. Håndtak

Monter gresskurven

1. Åpne bakdekselet.

► Fig.9: 1. Bakdekselet

2. Hekt gresskurven på stangen på gressklipperen som vist i figuren.

► Fig.10: 1. Krok 2. Stang 3. Gresskurv

Feste utstyret for bioklipping

Valgfritt tilbehør

1. Åpne bakdekselet og fjern gresskurven.

► Fig.11: 1. Bakdekselet 2. Gresskurv

2. Hold utstyret for bioklipping i håndtaket, og fest det deretter til gressklipperen som vist i figuren.

► Fig.12: 1. Utstyr for bioklipping 2. Håndtak

FUNKSJONSBEKRIVELSE

Sette inn eller ta ut batteri

⚠️FORSIKTIG: Stå alltid av maskinen før du setter inn eller fjerner batteriet.

⚠️FORSIKTIG: Sørg for at du lukker batterilokket før bruk. Ellers kan søle, skitt eller vann påføre skader på produktet eller batteripatronen.

⚠️FORSIKTIG: Batteriet må alltid settes helt inn, så langt at den røde indikatoren ikke lenger er synlig. Hvis dette ikke gjøres, kan batteriet falle ut av maskinen og skade deg eller andre som oppholder seg i nærheten.

⚠️FORSIKTIG: Ikke bruk makt når du setter i batteriet. Hvis batteriet ikke blir lett inn, er det fordi det ikke settes inn på riktig måte.

MERK: Maskinen fungerer ikke med kun ett batteri.

Installering av batteriet;

1. Skyv låsespaken til batteridekselet og åpne batteridekselet.

► **Fig.13:** 1. Batterideksel 2. Batteridekslets låsespak

2. Rett inn batterituppen mot hakket i gressklipperen, og skyv innsatsen til den låses på plass med et lite klikk.

► **Fig.14:** 1. Batteriinnsats

3. Sett inn låsenøkkelen på stedet vist på figuren, så langt den vil gå.

► **Fig.15:** 1. Låsenøkkel

4. Lukk batteridekselet og trykk på det inntil det låses sammen med låsespaken.

Fjerning av batteriet fra gressklipperen;

1. Skyv låsespaken til batteridekselet og åpne batteridekselet.

2. Trekk batteriinnsatsen ut fra gressklipperen mens du skyver på knappen foran på batteriet og trekker det ut.

3. Trekk ut låsenøkkelen.

4. Lukk batteridekselet.

Vernesystem for maskin/batteri

Maskinen er utstyrt med et vernesystem for maskin/batteri. Dette systemet slår automatisk av strømmen til motoren for å forlenge maskinens og batteriets levetid. Maskinen stopper automatisk under drift hvis maskinen eller batteriet utsettes for en av følgende tilstander.

Overlastsikring

Når maskinen brukes på en måte som gjør at den bruker unormalt mye strøm, vil maskinen stanse automatisk uten noen form for indikasjon. I denne situasjonen må du skru av maskinen og stanse bruken som forårsaket at maskinen ble overopphetet. Slå deretter maskinen på for å starte den igjen.

Overopphetingsvern

Når maskinen blir overopphetet, stanser maskinen automatisk. La maskinen kjøle seg ned før du slår på maskinen igjen.

Overutladingsvern

Når batterikapasiteten blir lav, stanser maskinen automatisk. Hvis produktet ikke går selv om bryterne aktiveres, må du ta batteriene ut av maskinen og lade batteriene.

Indikere gjenværende batterikapasitet

► **Fig.16:** 1. Batterianviser

Når gjenværende batterikapasitet blir lav, blinker batteriindikatoren på siden av gjeldende batteri. Ved fortsatt bruk, stopper maskinen, og batteriindikatoren blinker i cirka 10 sekunder. I så fall lader du batteriet.

Indikere gjenværende batterikapasitet

Kun for batterier med indikatoren

► **Fig.17:** 1. Indikatorlamper 2. Kontrollknapp

Trykk på sjekk-knappen på batteriet for vise gjenværende batterikapasitet. Indikatorlampene lyser i et par sekunder.

| Indikatorlamper | | | Gjenværende batterinivå |
|-----------------|----|---------|---------------------------|
| Tent | Av | Blinker | |
| | | | 75 % til 100 % |
| | | | 50 % til 75 % |
| | | | 25 % til 50 % |
| | | | 0 % til 25 % |
| | | | Lad batteriet. |
| | | | Batteriet kan ha en feil. |

MERK: Det angitte nivået kan avvike noe fra den faktiske kapasiteten alt etter bruksforholdene og den omgivende temperaturen.

Bryterfunksjon

⚠️ADVARSEL: Før du setter batteriet inn, må du alltid kontrollere at bryterspaken fungerer som den skal, og at den går tilbake til sin opprinnelige posisjon når du slipper den. Hvis du bruker maskinen med en bryter som ikke fungerer som den skal, kan du komme til å miste kontrollen, og det kan føre til alvorlig personskade.

MERK: Gressklipperen starter ikke uten at bryterknappen trykkes på, selv hvis du trekker i bryterspaken.

MERK: Gressklipperen starter kanskje ikke på grunn av overlaster når du prøver å klippe lang et eller tett gress i én økt. I slike tilfeller må du øke klippehøyden.

Denne gressklipperen er utstyrt med spærrebryter og håndtaksbryter. Hvis du noterer noe uvanlig med noen av disse bryterne, stans bruken umiddelbart og la dem bli inspisert av ditt nærmeste Makita autoriserte service-senter.

1. Sett inn batteriene. Sett låsenøkkelen inn i låsebryteren, og lukk batteridekselet.

► **Fig.18:** 1. Batteriinnsett 2. Låsenøkkel

2. Trykk på bryterknappen og hold den inne.

3. Grip det øvre håndtaket og trekk i bryterspaken.

► **Fig.19:** 1. Startknapp 2. Startspak

4. Slipp bryterknappen så snart motoren begynner å kjøre. Gressklipperen vil fortsette å kjøre til du slipper bryterspaken.

5. Slipp bryterspaken for å stanse motoren.

Tilpasse klippehøyden

⚠ADVARSEL: Plasser aldri hånd eller ben under gressklipperens hoveddel når du justerer klippehøyden.

⚠ADVARSEL: Sørg alltid for at spaken passer ordentlig inn i fordypningen før bruk.

Klippehøyden kan justeres i området mellom 20 mm og 75 mm.

1. Ta ut låsenøkkelen.

2. Trekk justeringsspaken for klippehøyden fra gressklipperens hoveddel og beveg den til ønsket klippehøyde.

► **Fig.20:** 1. Justeringsspak for klippehøyde

MERK: Tallene for klippehøyde er kun ment å være veiledende. Avhengig av plenen eller bakken kan faktisk plen høyde variere litt fra den angitte høyden.

MERK: Gjør en prøveklipping på et mindre iøynefallende sted for å oppnå den høyden du ønsker.

Indikator for gressnivå

► **Fig.21:** 1. Indikator for gressnivå

Indikatoren for gressnivå viser hvor mye gress som er klippet.

- Så lenge gresskurven ikke er full, flyter indikatoren når du klipper gresset.
- Når gresskurven er full, flyter ikke indikatoren når du klipper gresset. Når dette skjer, må du umiddelbart stoppe klippingen og tømme kurven. Når du tømmer kurven, må du rengjøre den, slik at luft slipper ut gjennom hullene.

MERK: Denne indikatoren er kun en veiledning. Avhengig av tilstanden inne i kurven, kan det hende at indikatoren ikke fungerer som den skal.

Bruke utstyret for bioklipping

Valgfritt tilbehør

Utstyret for bioklipping lar deg sende det klippede gresset til bakken uten å samle opp det klippede gresset i gresskurven. Når du bruker maskinen med utstyret for bioklipping, må du passe på å fjerne gresskurven.

OBS: Når du bruker maskinen med utstyret for bioklipping, må du kontrollere at gressets totale lengde er 30 mm eller mer, eller at skjærelengden er 15 mm eller mindre.

► **Fig.22:** (1) 30 mm eller mer (2) 15 mm eller mindre

BRUK

Klipping

⚠ADVARSEL: Før klipping, rydd vekk pinner og steiner fra klippeområdet. I tillegg, rensk vekk ugress fra området på forhånd.

⚠ADVARSEL: Bruk alltid vernebriller med sidevern under bruk av gressklipperen.

⚠FORSIKTIG: Hvis det klippede gresset eller fremmedlegemer hopper seg opp inni gressklipperen, må du ta ut låsenøkkelen og batteriet samt ta på deg hansker før du fjerner gresset eller fremmedlegemer.

OBS: Denne maskinen skal kun brukes til plenklipping. Ikke klipp ugress med denne maskinen.

► **Fig.23**

Hold håndtaket fast med begge hender under klippingen.

Retningslinjen for klipperhastighet er omtrent 1 meter på 4 sekunder.

► **Fig.24**

De utvendige kantene på fronthjulene er veiledende for klippebredden. Bruk de utvendige kantene på fronthjulene som veiledere, og klipp i striper. Overlapp med halvdelen til én tredel av den foregående stripen for å klippe plenen jevnt.

► **Fig.25:** 1. Klippebredde 2. Overlapping 3. Utvendig kant

Skift klipperetning hver gang for å unngå at mønsteret for gressstrætningen dannes bare i én retning.

► **Fig.26**

Du må regelmessig kontrollere gressnivået i gresskurven. Tøm ut gresset før den blir helt full. Før hver regelmessige kontroll, må du sørge for at du stanser gressklipperen og tar ut låsenøkkelen og batteriet.

OBS: Bruk av gressklipperen med gresskurven full, hindrer jevn rotering av kniven og legger en ekstra belastning på motoren, hvilket kan føre til at den bryter sammen.

Klipping av plen med høyt gress

Ikke kutt vått gress eller løvverk på små trær. Det er bedre å klippe gresset i små trinn. La det gå en dag eller to mellom klippeøkter, til plenen blir jevnt kort.

MERK: Dersom gresset klippes kort i én økt, kan det føre til at gresset dør. Oppkuttet gress kan også blokkere innsiden av gressklipperen.

Tømming av gresskurven

⚠ ADVARSEL: For å redusere faren for ulykker, kontroller regelmessig gresskurven for skade eller redusert styrke. Skift om nødvendig ut gresskurven.

1. Slipp bryterspaken.
2. Ta ut låsenøkkelen.
3. Åpne bakdekselet, og ta ut gresskurven ved å holde i håndtaket.
▶ **Fig.27:** 1. Bakdekselet 2. Håndtak
4. Tøm gresskurven.

VEDLIKEHOLD

⚠ ADVARSEL: Sørg alltid for at låsenøkkelen og batteriet er tatt ut av gressklipperen før oppbevaring eller bæring av gressklipperen, eller forsøk på inspeksjon eller vedlikehold.

⚠ ADVARSEL: Du må alltid ta ut låsenøkkelen når gressklipperen ikke er i bruk. Oppbevar låsenøkkelen på et trygt sted, utilgjengelig for barn.

⚠ ADVARSEL: Bruk hansker når du utfører inspeksjon eller vedlikehold.

⚠ ADVARSEL: Bruk alltid sikkerhets- eller vernebriller med sidevern når du utfører inspeksjon eller vedlikehold.

OBS: Aldri bruk gasolin, bensin, tynner alkohol eller lignende. Det kan føre til misfarging, deformering eller sprekkdannelse.

For å opprettholde produktets SIKKERHET og PÅLITELIGHET, må reparasjoner, vedlikehold og justeringer utføres av autoriserte Makita servicesentre eller fabrikkerservicesentre, og det må alltid brukes reservedeler fra Makita.

Vedlikehold

1. Ta ut låsenøkkelen. Oppbevar den på et trygt sted utenfor barns rekkevidde.
2. Rengjør gressklipperen kun med en våt klut. Ikke spray eller hell vann over gressklipperen under rengjøringen.
3. Legg gressklipperen over på siden og fjern klippet gress som har samlet seg på undersiden av gressklipperdekket.
4. Kontroller at alle muttere, bolter, knotter, skruer, fester osv. er ordentlig festet.
5. Kontroller bevegelige deler for skade, brudd og slitasje. Skadede og manglende deler skal repareres eller skiftes ut.

Lagring

⚠ ADVARSEL: Når gressklipperen bæres eller oppbevares, hold ikke i de sammenfoldede håndtakene, men i gressklipperens fronthåndtak. Hvis den holdes etter de sammenfoldede håndtakene, kan dette forårsake alvorlig helseskade eller skade gressklipperen.

Før gressklipperen settes til oppbevaring, må du ta ut batteriet og låsenøkkelen. Oppbevar gressklipperen innendørs på et kjølig, tørt og låst sted. Ikke oppbevar gressklipperen og laderen på steder hvor temperaturen kan komme opp i eller overskride 40 °C.

▶ **Fig.28:** 1. Fronthåndtak 2. Bakre håndtak

1. Løsne klemmeskruene og trekk det nedre håndtaket ut til sidene. Skyv håndtaket ned og frem. Når du gjør dette, hold godt fast i det nedre håndtaket slik at det ikke faller ned på den andre siden av gressklipperen.

▶ **Fig.29:** 1. Klemmeskrue 2. Nedre håndtak

2. Løsne klemmeskruene og dreii det øverste håndtaket bakover, samtidig som du trekker ut til begge sider.

▶ **Fig.30:** 1. Låsemutter 2. Øvre håndtak

3. Oppbevar gresskurven mellom håndtaket og gressklippermaskinen.

▶ **Fig.31:** 1. Gresskurv

MERK: Når gressklipperen settes i oppreist stilling, hold ikke i håndtaket, men bruk gressklipperens fronthåndtak.

Demontere eller montere gressklipperkniven

⚠ ADVARSEL: Ta alltid ut låsenøkkelen og batteriet når bladet skal fjernes eller monteres. Hvis låsenøkkelen og batteriet ikke fjernes, kan dette forårsake alvorlig personskade.

⚠ ADVARSEL: Bladet roterer i noen få sekunder etter at bryteren er sluppet. Ikke start noen form for arbeid før kniven har stanset helt.

⚠ ADVARSEL: Når du håndterer bladet, bruk alltid hansker.

Ta ut gressklipperkniven

For DLM382

1. Legg gressklipperen over på siden slik at justeringspaken for klippehøyde kommer opp til den øverste siden.
2. Lås knivrotasjonen ved å føre en skrutrekker eller liknende verktøy inn i et hull på gressklipperen.
3. Skru boltene mot urviseren med en skrunøkkel.
▶ **Fig.32:** 1. Gressklipperkniv 2. Skrutrekker 3. Fastnøkkel
4. Fjern boltene og kniven etter hverandre.
▶ **Fig.33:** 1. Knivholder 2. Gressklipperkniv 3. Bolt

For DLM432

1. Legg gressklipperen over på siden slik at justeringsspaken for klippehøyde kommer opp til den øverste siden.
2. Lås knivrotasjonen ved å føre en skrutrekker eller liknende verktøy inn i et hull på gressklipperen.
3. Skru boltene mot urviseren med en skrunøkkel.
► **Fig.34:** 1. Gressklipperkniv 2. Skrutrekker
3. Fastnøkkel
4. Fjern boltene, den ytre flensen, gressklipperkniven og den innvendige flensen i rekkefølge.
► **Fig.35:** 1. Indre flens 2. Gressklipperkniv 3. Ytre flens 4. Bolt

Montere gressklipperkniven

Monter gressklipperkniven ved å følge fremgangsmåten for demontering i motsatt rekkefølge.

⚠ ADVARSEL: Sett gressklipperkniven forsiktig inn. Den har en over- og underside. Plasser kniven slik at knivsidene med rotasjonsretningspilen vises utover.

⚠ ADVARSEL: Stram til boltene med urviseren for å feste bladet.

⚠ ADVARSEL: Sørg for at gressklipperkniven og alle festedelene er riktig montert og godt strammet.

⚠ ADVARSEL: Når du skifter ut bladene, skal du alltid følge anvisningene i denne håndboken.

FEILSØKING

Inspisér utstyret selv før du bestiller reparasjon. Ikke prøv å demontere verktøyet hvis du finner et problem som ikke er forklart i brukerveiledningen. I stedet bør du ta kontakt med et av Makitas autoriserte servicesentre, som alltid bruker reservedeler fra Makita til reparasjoner.

| Unormal tilstand | Sannsynlig årsak (feil) | Løsning |
|---|--|--|
| Gressklipperen starter ikke. | De to batteriinnsettene er ikke satt inn. | Sett inn de oppladede batteriinnsettene. |
| | Batteriproblem (med spenning) | Lad batteriet. Hvis ladingen ikke virker, skal batteriet skiftes ut. |
| | Låsenøkkelen er ikke satt inn. | Sett inn låsenøkkelen. |
| Motoren slutter å gå etter kort tids bruk. | Batteriets ladenivå er lavt. | Lad batteriet. Hvis ladingen ikke virker, skal batteriet skiftes ut. |
| | Klippehøyden er for lav. | Øk klippehøyden. |
| Motoren når ikke maksimalt antall omdreininger per minutt. | Batteriet er riktig satt inn. | Sett inn batteriet som beskrevet i denne håndboken. |
| | Batterieffekten minsker. | Lad batteriet. Hvis ladingen ikke virker, skal batteriet skiftes ut. |
| | Drivsystemet virker ikke slik det skal. | Kontakt ditt nærmeste autoriserte servicesenter hvis det oppstår behov for reparasjon. |
| Gressklipperkniven roterer ikke: ⇒ stans gressklipperen umiddelbart! | Fremmedlegemer, for eksempel grener, har satt seg fast nær kniven. | Fjern fremmedlegemet. |
| | Drivsystemet virker ikke slik det skal. | Kontakt ditt nærmeste autoriserte servicesenter hvis det oppstår behov for reparasjon. |
| Unormale vibrasjoner: ⇒ stans gressklipperen umiddelbart! | Kniven er i ubalanse, for slitt eller ujevnt slitt. | Skift ut kniven. |

VALGFRI TTILBEHØR

⚠ FORSIKTIG: Det anbefales at du bruker dette tilbehøret eller verktøyet sammen med den Makita-maskinen som er spesifisert i denne håndboken. Bruk av annet tilbehør eller verktøy kan forårsake personskader. Tilbehør og verktøy må kun brukes til det formålet det er beregnet på.

Ta kontakt med ditt lokale Makita-servicesenter hvis du trenger mer informasjon om dette tilbehøret.

- Gressklipperkniv
- Utstyr for bioklipping
- Makita originalbatteri og lader

MERK: Enkelte elementer i listen kan være inkludert som standardtilbehør i verktøypakken. Elementene kan variere fra land til land.

TEKNISET TIEDOT

| Malli: | DLM382 | DLM432 | |
|---------------------------------------|--|---|---|
| Leikkuuleveys (terän halkaisija) | 380 mm | 430 mm | |
| Kuormittamaton kierrosnopeus | 3 700 min ⁻¹ | 3 600 min ⁻¹ | |
| Ruohonleikkurin vaihtoterän osanumero | 191D41-2 | 191D43-8 | |
| Mitat (P x L x K) | toiminnan aikana | P: 1 380 mm – 1 410 mm L: 450 mm K: 985 mm – 1 005 mm | P: 1 435 mm – 1 490 mm L: 460 mm K: 1 005 mm – 1 045 mm |
| | varastoitaaessa (ilman ruohosäiliötä) | 860 mm x 450 mm x 475 mm | 865 mm x 460 mm x 475 mm |
| Nimellisiäjännite | DC 36 V | | |
| Nettopaino | 16,2 – 16,9 kg | 16,8 – 17,5 kg | |

- Jatkuvasta tutkimus- ja kehitystyöstämme johtuen esitetyt tekniset tiedot saattavat muuttua ilman erillistä ilmoitusta.
- Tekniset tiedot voivat vaihdella maittain.
- Paino voi olla erilainen lisävarusteista sekä akusta johtuen. EPTA-menettelytavan 01/2014 mukaisesti, taulukossa on kuvattu kevyin ja painavin laiteyhdistelmä.

Käytettävä akkupaketti

BL1815N / BL1820 / BL1820B / BL1830 / BL1830B / BL1840 / BL1840B / BL1850 / BL1850B / BL1860B

- Tiettyjä yläpuolella kuvattuja akkuja ei ehkä ole saatavana asuinalueestasi johtuen.

VAROITUS: Käytä vain edellä eriteltyjä akkupaketteja. Muiden akkupakettien käyttäminen voi aiheuttaa loukkaantumisen ja/tai tulipalon.

Symbolit

Laitteessa on käytetty seuraavia symboleja. Opettele niiden merkitys ennen käyttöä.



Noudata erityistä varovaisuutta ja kiinnitä huomiota.



Lue käyttöohje.



Vaara; varo sinkoutuvia kappaleita.



Sivullisten henkilöiden etäisyyden työkalusta on oltava vähintään 15 m.



Pidä kätesi ja jalkasi kaukana ruohonleikkurin alla olevasta terästä. Terät jatkavat pyörimistä moottorin sammuttamisen jälkeen.



Irrota lukitusavain ennen ruohonleikkurin tarkistamista, säätämistä, puhdistamista, huoltamista tai asettamista säiliöön.



Koskee vain EU-maita
Älä hävitä sähkölaitteita tai akkuja tavallisen kotitalousjätteen mukana!
Sähkö- ja elektroniikkalaiteromua koskevan EU-direktiivin ja paristoja ja akkuja sekä käytettyjä paristoja ja akkuja koskevan direktiivin ja niiden maakohtaisten sovellusten mukaisesti käytetyt sähkölaitteet ja akut on toimitettava ongelmajätteen keräyspisteeseen ja ohjattava ympäristöystävälliseen kierrätykseen.

Käyttötarkoitus

Kone on tarkoitettu ruohonleikkuuseen.

Melutaso

Tyypillinen A-painotettu melutaso määräytyy standardin EN60335-2-77 mukaan:

Malli DLM382

Äänenpainetaso (L_{pA}): 81 dB (A)
Äänen voiman taso (L_{WA}): 91 dB (A)
Virhemarginaali (K): 3 dB (A)

Malli DLM432

Äänenpainetaso (L_{pA}): 81 dB (A)
Äänen voiman taso (L_{WA}): 92 dB (A)
Virhemarginaali (K): 3 dB (A)

HUOMAA: Ilmoitetut melutasoarvot on mitattu standarditestausten mukaisesti ja niiden avulla voidaan vertailla työkaluja keskenään.

HUOMAA: Ilmoitettuja melutasoarvoja voidaan käyttää myös altistumisen alustavaan arviointiin.

VAROITUS: Käytä kuulosuojaimia.

VAROITUS: Sähkötyökalun käytön aikana mitattu melutasoarvo voi poiketa ilmoituista arvoista laitteen käyttötavan ja erityisesti käsiteltävän työkalun mukaan.

VAROITUS: Selvitä käyttäjän suojaamiseksi tarvittavat varoimet todellisissa käyttöolosuhteissa tapahtuvan arvioitun altistumisen mukaisesti (ottaen huomioon käyttöjakso kokonaisuudessaan, myös jaksot, joiden aikana laite on sammutettuna tai käy tyhjäkäynnillä).

Tärinä

Kokonaistärinä (kolmen akselin vektorien summa) määrytyy standardin EN60335-2-77 mukaan:

Malli DLM382

Tärinäpäästö (a_n): 2,5 m/s² tai alaisempi
Virhemarginaali (K): 2,0 m/s²

Malli DLM432

Tärinäpäästö (a_n): 2,5 m/s² tai alaisempi
Virhemarginaali (K): 1,5 m/s²

HUOMAA: Ilmoitetut kokonaistärinäarvot on mitattu standarditestausten menetelmän mukaisesti ja niiden avulla voidaan vertailla työkaluja keskenään.

HUOMAA: Ilmoitettuja kokonaistärinäarvoja voidaan käyttää myös altistumisen alustavaan arviointiin.

VAROITUS: Sähkötyökalun käytön aikana mitattu todellinen tärinäpäästöarvo voi poiketa ilmoitetuista arvoista laitteen käyttötavan ja erityisesti käsiteltävän työkalupaleen mukaan.

VAROITUS: Selvitä käyttäjän suojaamiseksi tarvittavat varoitimet todellisissa käyttöolosuhteissa tapahtuvan arvioidun altistumisen mukaisesti (ottaen huomioon käyttöjakso kokonaisuuudessaan, myös jaksot, joiden aikana laite on sammutettuna tai käy tyhjäkäynnillä).

EY-vaatimusten mukaisuusvakuutus

Koskee vain Euroopan maita

EY-vaatimusten mukaisuusvakuutus on liitetty tähän käyttöoppaaseen.

TURVAROITUKSET

TÄRKEITÄ TURVAOHJEITA

VAROITUS: Lue huolellisesti kaikki turvallisuusvaroitukset ja käyttöohjeet. Jos varoitusten ja ohjeiden noudattaminen laiminlyödään, seurauksena voi olla sähköisku, tulipalo ja/tai vakava vammautuminen.

Säilytä varoitukset ja ohjeet tulevaa käyttöä varten.

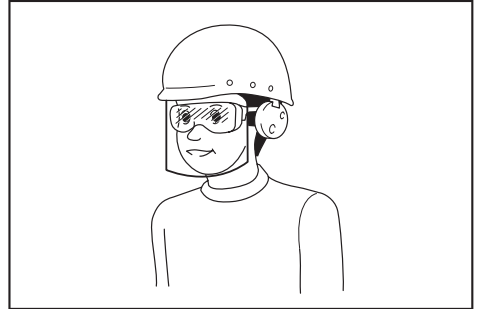
Koulutus

1. Lue ohjeet huolellisesti. Pehdy ruohonleikkurin säätimiin ja asianmukaiseen käyttöön.
2. Älä anna lasten tai näihin ohjeisiin perehtymättömien henkilöiden käyttää ruohonleikkuria. Paikalliset määräykset voivat rajoittaa käyttäjän ikää.
3. Ruohonleikkuria ei saa koskaan käyttää, kun lähistöllä on muita henkilöitä, etenkin lapsia, tai lemmikkieläimiä.
4. Muista, että käyttäjä vastaa tapaturmista tai vahingoista, jotka hän aiheuttaa muille ihmisille tai heidän omaisuudelleen.
5. Lapsia tulee valvoa ja varmistaa etteivät he pääse leikkimään ruohonleikkurilla.

6. **Fyysinen kunto** - älä käytä ruohonleikkuria huumausaineiden, alkoholin tai lääkityksen alaisena.

Valmistelu

1. Käytä ruohonleikkuria käyttäessäsi aina tukevia jalkineita ja pitkiä housuja. Älä käytä ruohonleikkuria paljain jaloin tai avosandaalit jalassa. Älä käytä vaatteita tai koruja, jotka ovat väljiä tai joissa on irrallisia nauhoja tai ketjuja. Ne voivat tarttua laitteen liikkuviin osiin.
2. Tarkasta ennen käyttöä silmämääräisesti, ettei ruohonleikkurissa näy merkkejä vaurioista ja ettei siitä puutu suojuksia tai kilpiä tai ettei niitä ole asennettu väärin.
3. Varmista ennen ruohonleikkuruun aloittamista, ettei alueella ole muita ihmisiä. Lopeta ruohonleikkurin käyttö, jos työskentelyalueelle tulee muita.
4. Aseta lukitusavain ruohonleikkuriin vasta, kun leikkuri on käyttövalmis.
5. Käytä aina suojalaseja silmiesi suojaamiseksi tapaturmia vastaan sähkökäyttöisten laitteiden käytön aikana. Suojalasien täytyy noudattaa ANSI Z87.1 Yhdysvalloissa, EN 166 Euroopassa tai AS/NZS 1336 Australiassa / Uudessa Seelannissa olevia vaatimuksia. Australiassa / Uudessa Seelannissa on lainmukaisesti pakollista käyttää kasvosuojaimia myös kasvojen suojaamiseksi.



Työnantajien velvollisuuksiin kuuluu varmistaa, että laitteen käyttäjät ja työpaikan välittömässä läheisyydessä olevat muut sivulliset henkilöt käyttävät asianmukaisia henkilönsuojaimia.

6. Tarkista ennen työskentelyn aloittamista, ettei terissä tai terien pulteissa ole halkeamia tai muita vikoja. Vaihda halkeilleet tai muuten vahingoittuneet terät tai terien pultit heti uusiin.
7. Poista työskentelyalueelta vieraat esineet, kuten kivet, langat ja köydet, pullo, luut ja suuret kepit, välttääksesi henkilövahingot tai ruohonleikkurin vahingot.
8. Ruohonleikkurin terien sinkoamat esineet voivat aiheuttaa vakavia henkilövahingoja. Ennen jokaista leikkukertaa nurmikko on tutkittava huolellisesti ja ylimääräiset esineet on poistettava alueelta.
9. Varo koloja, vakoja, töyssyjä, kiviä ja muita näkymättömissä olevia esineitä. Epätasainen maasto lisää liukastumisesta ja kaatumisesta johtuvien tapaturmien riskiä. Pitkä nurmi voi peittää esteet näkyvistä.

Käyttö

1. Älä ylikurkottele. Säilytä tasapainosi koko työskentelyn ajan. Varmista aina tukeva jalansija rinteessä työskennellessäsi. Kävele, älä koskaan juokse.
2. Sammuuta ruohonleikkuri, poista lukitusavain ja varmista, että kaikki liikkuvat osat ovat täysin pysähtyneet:
 - aina poistuessasi ruohonleikkurin luota,
 - ennen tukkeumien selvittämistä tai kourun puhdistamista,
 - ennen ruohonleikkurin tarkastamista, puhdistamista tai kunnossapitoa,
 - laitteen osuttua vieraaseen esineeseen.Tarkasta ruohonleikkuri vaurioiden varalta ja korjaa mahdolliset viat, ennen kuin käynnistät sen uudelleen,
 - aina, kun ruohonleikkuri alkaa täristä epänormaalisti.
3. Älä koskaan käytä ruohonleikkuria, jos suojukset tai kilvet ovat vioittuneet tai turvalaitteet, esimerkiksi kivisuojat ja/tai ruohosäiliö, eivät ole paikallaan.
4. Vältä käyttämästä ruohonleikkuria huonoissa sääolosuhteissa, varsinkin ukkosella salamaniskun vaaran takia.
5. Käytä ruohonleikkuria käyttäessäsi aina suoja-laseja ja kestäviä jalkineita.
6. Käytä ruohonleikkuria vain päivänvalossa tai kirkaassa keinovalossa.
7. Käynnistä moottori varovaisuutta noudattaen ja ohjeiden mukaisesti ja pidä jalkasi poissa terän (terien) ulottuvilta.
8. Varo, etteivät ruohonleikkurin terät vahingoita jalkojasi tai käsiäsi.
9. Varmista aina, että ilmanvaihtoaukot ovat puhtaana liasta ja pölystä.
10. Leikkaa nurmikko rinteessä aina poikittais-suuntaan, älä koskaan ylös ja alas. Ole erityisen varovainen vaihtaessasi suuntaa rinteissä. Älä leikkaa nurmikkoa liian jyrkissä rinteissä.
11. Ole erityisen varovainen, kun peruutat ruohonleikkuria tai vedät sitä itseäsi kohti.
12. Pysäytä terät, jos ruohonleikkuria on tarpeen kallistaa ruohottomia alueita ylitettäessä, sekä silloin, kun siirät sitä leikattavalle nurmi-alueelle ja takaisin.
13. Älä kallista ruohonleikkuria moottorin käynnistyksen aikana, ellei se ole käynnistyksen kannalta välttämätöntä. Jos kallistaminen on välttämätöntä, kallista laitetta mahdollisimman vähän ja kohota vain käyttäjään nähden kauimpana olevaa puolta. Varmista aina, että molemmat kätesi ovat käyttöasennossa, ennen kuin lasket ruohonleikkurin maahan.
14. Älä aseta käsiäsi tai jalkojasi pyörivien osien alle tai lähelle. Pidä poistoaukko aina esteettömänä jäämistä.
15. Älä kuljeta ruohonleikkuria sen ollessa käynnissä.
16. Vältä ruohonleikkurin käyttämistä märällä nurmikolla.
17. Älä koskaan käytä ruohonleikkuria sateella.
18. Pidä aina tukevasti kiinni kahvasta.
19. Älä tartu leikkuuteriin tai leikkaaviin reunoihin, kun nostat tai kannattelet ruohonleikkuria.
20. Pidä jalkasi ja kätesi kaukana pyörivistä teristä. Varoitus - terät pyörivät vielä sen jälkeen kun leikkuri on kytketty pois päältä.
21. Lopeta käyttö heti, jos havaitset jotakin epätavallista. Sammuta ruohonleikkuri ja poista lukitusavain. Tarkista sitten ruohonleikkuri.
22. Jos ruohonleikkurissa on leikkuukorkeuden säätömahdollisuus, älä koskaan yritä sää-tää leikkuukorkeutta, kun ruohonleikkuri on käynnissä.
23. Vapauta kytkinvipu ja anna terien pysähtyä ennen ajo- ja kävelyreittien, yleisten teiden tai sorapintaisten alueiden ylittämistä. Poista lukitusavain, jos poistut ruohonleikkurin luota, kurotut nostamaan jotakin tai ottamaan jotakin pois tieltä tai teet muuta, joka voi jostain syystä siirtää huomiosi pois laitteen käytöstä.
24. Jos ruohonleikkuri osuu vieraaseen esineeseen, toimi seuraavasti:
 - Pysäytä ruohonleikkuri, vapauta kytkinvipu ja odota, että terä pysähtyy täysin.
 - Poista lukitusavain ja irrota akkupaketti.
 - Tarkista ruohonleikkuri huolellisesti vaurioiden varalta.
 - Vaihda terä, jos se on jotenkin vaurioitunut. Korjaa mahdolliset vahingot ennen ruohonleikkurin uudeen käynnistämistä ja toiminnan jatkamista.
25. Älä käynnistä ruohonleikkuria seisossasi poistoaukon edessä.
26. Jos ruohonleikkuri alkaa täristä epänormaalisti (tutki syy heti)
 - Tarkasta vauriot,
 - Vaihda tai korjaa vaurioituneet osat,
 - Tarkasta ja kiristä löystyneet osat.
27. Älä koskaan suuntaa ulos lentävää materiaalia ihmisiä kohti. Vältä ulos lentävän materiaalin suuntaamista seinää tai muuta estettä kohti. Materiaali voi tällöin kimmota takaisin käyttäjää kohti. Pysäytä terä, kun ylität sorapintoja.
28. Älä vedä ruohonleikkuria taaksepäin ellei se ole täysin välttämätöntä. Jos ruohonleikkuria on vedettävä taaksepäin aidan tai muun vastaavan esteen ohittamiseksi, katso taaksesi ja alas ennen kuin aloitat liikua taaksepäin.
29. Sammuta moottori ja odota, että terä pysähtyy täysin, ennen kuin irrotat ruohonkerääjän. Pidä mielessä, että terät pyörivät hetken vapaasti sammuttamisen jälkeen.

Kunnossapito ja säilytys

1. Vaihda kuluneet tai vioittuneet osat turvalisuuksista. Käytä vain aitoja varaosia ja tarvikkeita.
2. Tarkasta ja huolla ruohonleikkuri säännöllisesti.
3. Kun et käytä ruohonleikkuria, säilytä se lasten ulottumattomissa.
4. Varmista laitteen käyttöturvallinen kunto tarkistamalla, että kaikki mutterit, pultit ja ruuvit ovat tiukasti kiinni.
5. Tarkista säännöllisesti, ettei ruohosäiliössä ole kulumia tai murtumia. Tarkista ennen laitteen asettamista säilöön, että ruohosäiliö on tyhjä. Kulunut ruohosäiliö on turvallisuussyistä korvattava tehdasuudella.

- Käytä vain valmistajan tässä ohjeessa ilmoittamia teriä.
- Varo laitteen säätämisen aikana, etteivät sormesi jää pyörivien terien ja ruohonleikkurin kiinteiden osien väliin.
- Älä pese letkulla, vältä moottorin ja sähköliitäntöjen altistamista vedelle.
- Tarkista säännöllisesti, että terän kiinnityspultit ovat riittävän kireällä.
- Anna ruohonleikkurin jäähtyä, ennen kuin siirät sen varastoon.
- Kun huollat teriä, muista, että vaikka virta on katkaistu, terät voivat silti liikkua.
- Älä koskaan poista tai peukaloi turvalaitteita. Tarkista säännöllisesti, että ne toimivat oikein. Älä koskaan yritä vaikuttaa turvalaitteiden tarkoituksenmukaiseen toimintaan tai heikentää turvalaitteen toimivuutta.

Akkukäyttöisen työkalun käyttö ja hoito

- Lataa akkua vain valmistajan määrittämällä laturilla. Tietylle akkupaketille sopiva laturi voi aiheuttaa tulipalovaaran, jos sitä käytetään muuntypisen akkupaketin yhteydessä.
- Käytä sähkötyökaluja vain määritysten mukaisten akkujen kanssa. Muuntypisten akkujen käyttäminen voi aiheuttaa loukkaantumis- tai tulipalovaaran.
- Kun akku ei ole käytössä, säilytä se erillään metalliesineistä, kuten paperiliittimistä, kolikoista, avaimista, nautoista, ruuveista ja muista pienistä metalliesineistä, jotka voivat yhdistää akun navat. Akun napojen oikosulkeminen voi aiheuttaa palovamman tai tulipalon.
- Akusta voi vuotaa nestettä, jos sitä käsitellään väärin. Vältä kosketusta. Jos nestettä pääsee iholle vahingossa, huuhtelee iho vedellä. Jos nestettä pääsee silmiin, hakeudu lääkärin hoitoon. Ulos purkautunut akkuneste voi ärsyttää ihoa tai aiheuttaa palovammoja.
- Älä käytä viallista tai muunneltua akkua tai työkalua. Vialliset tai muunnellut akut voivat toimia odottamattomasti aiheuttamalla tulipalo-, räjähdys- tai tapaturmavaaran.
- Älä altista akkua tai työkalua tulelle tai äärimmäisille lämpötiloille. Altistus tulelle tai yli 130 °C lämpötiloille voi aiheuttaa räjähdyksen.
- Noudata kaikkia latausohjeita, äläkä lataa akkua tai työkalua ohjeissa määritettyjen lämpötilarajojen ulkopuolella. Väärin tai ohjeissa määritettyjen lämpötilarajojen ulkopuolella suoritettu lataus voi aiheuttaa akkuvaurion ja kasvattaa tapaturmavaaraa.

Sähköturvallisuus ja akku

- Älä hävitä akkuja polttamalla. Akkukenko voi räjähtää. Tarkista, onko paikallisissa määräyksissä erityisiä laitetta koskevia hävitysohjeita.
- Älä avaa tai riko akkuja. Akusta mahdollisesti vuotava elektrolyytti on syövyttävää ja saattaa vaurioittaa ihoa tai silmiä. Se saattaa olla myrkyllistä nieltynä.
- Älä lataa akkua sateessa tai kosteissa olosuhteissa.
- Älä lataa akkua ulkona.
- Älä käsittele laturia tai sen liittinosaa ja latausliittimiä märin käsin.

Huolto

- Anna pätevän korjaajan huoltaa sähkötyökalusi käyttäen vain identtisiä varaosia. Näin varmistetaan, että sähkötyökalun turvallisuus säilyy.
- Älä koskaan huolla viallisia akkuja. Akkujen huolto on suoritettava ainoastaan valmistajan tai valtuutetun huoltoilijeen toimesta.

SÄILYTÄ NÄMÄ OHJEET.

VAROITUS: ÄLÄ anna työkalun helppokäyttöisyyden (toistuvan käytön aikaansaama) johtaa sinua väärään turvallisuuden tunteeseen niin, että laiminlyöt työkalun turvaohjeiden noudattamisen.

VÄÄRINKÄYTTÖ tai tässä käyttöohjeessa ilmoitettujen turvamääräysten laiminlyönti voi aiheuttaa vakavia henkilövahinkoja.

Akkupakettia koskevia tärkeitä turvaohjeita

- Ennen akun käyttöönottoa tutustu kaikkiin laturissa (1), akussa (2) ja akkukäyttöisessä tuotteessa (3) oleviin varoitusteksteihin.
- Älä pura akkua.
- Jos akun toiminta-aika lyhenee merkittävästi, lopeta akun käyttö. Seurauksena voi olla ylikuumeneminen, palovammoja tai jopa räjähdys.
- Jos akkunestettä pääsee silmiin, huuhtelee puhtaalla vedellä ja hakeudu välittömästi lääkärin hoitoon. Akkuneste voi aiheuttaa näön menetyksen.
- Älä oikosulje akkua.
 - Älä koske akun napoihin millään sähköä johtavalla materiaalilla.
 - Vältä akun oikosulkemista äläkä säilytä akkua yhdessä muiden metalliesineiden, kuten nautojen, kolikoiden ja niin edelleen kanssa.
 - Älä aseta akkua alttiiksi vedelle tai sateelle.
 Oikosulku voi aiheuttaa virtapiikin, ylikuumentumista, palovammoja tai laitteen rikkoutumisen.
- Älä säilytä työkalua ja akkua paikassa, jossa lämpötila voi nousta 50 °C:een tai sitäkin korkeammaksi.
- Älä hävitä akkua polttamalla, vaikka se olisi pahoin vaurioitunut tai täysin loppuun kulunut. Avotuli voi aiheuttaa akun räjähtämisen.
- Varo kolhimasta tai pudottamasta akkua.
- Älä käytä viallista akkua.
- Sisältyviä litium-ioni-akkuja koskevat vaarallisten aineiden lainsäädännön vaatimukset. Esimerkiksi kolmansien osapuolten huolintaliikkeiden tulee kaupallisissa kuljetuksissa noudattaa pakkaamista ja merkintöjä koskevia erityisvaatimuksia. Lähetettävän tuotteen valmistelu edellyttää vaarallisten aineiden asiantuntijan neuvontaa. Huomioi myös mahdollisesti yksityiskohtaisemmat kansalliset määräykset. Akun avoimet liittimet tulee suojata teipillä tai suojuksella ja pakkaaminen tulee tehdä niin, ettei akku voi liikkua pakkauksessa.

11. **Kun akkupaketti on hävitettävä, poista se laitteesta ja hävitä se turvallisesti. Hävitä akku paikallisten määräysten mukaisesti.**
12. **Käytä akkuja vain Makitan ilmoittamien tuotteiden kanssa.** Akkujen asentaminen yhteensopimattomiin tuotteisiin voi aiheuttaa tulipalon, liiallisen ylikuumentumisen, räjähdyksen tai akkuneustevuotoja.
13. **Jos laitetta ei käytetä pitkään aikaan, akku on poistettava laitteesta.**

SÄILYTÄ NÄMÄ OHJEET.

⚠HUOMIO: Käytä vain alkuperäisiä Makita-akkuja. Muiden kuin aitojen Makita-akkujen, tai mahdollisesti muutettujen akkujen käyttö voi johtaa akun murtumiseen ja aiheuttaa tulipaloja, henkilö- ja omaisuusvahinkoja. Se mitätöi myös Makita-työkalun ja -laturin Makita-takuun.

Vihjeitä akun käyttöön pidentämiseksi

1. **Lataa akku ennen kuin se purkautuu täysin. Lopeta aina työkalun käyttö ja lataa akku, jos huomaa työkalun tehon vähenävän.**
2. **Älä koskaan lataa uudestaan täysin ladattua akkua. Yliilataaminen lyhentää akun käyttöikä.**
3. **Lataa akku huoneen lämpötilassa välillä 10 °C - 40 °C. Anna kuumen akku jäähtyä ennen lataamista.**
4. **Lataa akkupaketti, jos et käytä sitä pitkään aikaan (yli kuusi kuukautta).**

KOKOONPANO

⚠VAROITUS: Varmista aina ennen ruohonleikkurin huolto- ja korjaustoimia, että lukitusavain ja akkupaketti on irrotettu. Jos lukitusavainta ja akkua ei irroteta, laite voi käynnistyä vahingossa ja aiheuttaa vakavia vammoja.

⚠VAROITUS: Älä koskaan käynnistä ruohonleikkuria, jos sen kaikkia osia ei ole täysin asennettu. Jos kaikki osat eivät ole paikallaan, kone voi käynnistyä tahattomasti ja aiheuttaa vakavia vammoja.

Akun suojuksen asennus

⚠VAROITUS: Älä aseta lukitusavainta ja akkupakettia paikalleen ennen akun suojuksen asentamista. Jos näin ei toimita, seurauksena voi olla vakavia vammoja.

Asenna akun kansi kokonaan ennen käyttöä. Akun kansi suojaa ruohonleikkuria ja akkupakettia mudalta, liialta ja vedeltä.

1. Aseta akun kansi niin, että ruohonleikkurin ulokeet asettuvat linjaan akun kannen reikien kanssa.
► **Kuva1:** 1. Uloke 2. Reikä 3. Akun suojus
2. Aseta molemmat kätesi akun suojuksen keskikohtaan ja paina sitä.
► **Kuva2**

3. Tarkista ennen ensimmäistä käyttökertaa, että akun suojuksen saranakohta on liitetty oikein. Jos akun kansi on asennettu oikein, se ei aukea, ennen akun kannen lukitusvipua vedetään.

► **Kuva3:** 1. Saranakohta 2. Akun suojuksen lukitusvipu

Kahvan asentaminen

HUOMAUTUS: Kun asennat kahvoja, sijoita liitäntäjohdot siten, etteivät ne voi tarttua mihinkään kahvojen välissä. Jos virtajohto vaurioitunut, ruohonleikkurin kytkin ei ehkä toimi.

1. Työnnä molemmat päät ruohonleikkurin alemman kahvan uriin ja kiristä sitten kiristysruuvit.
► **Kuva4:** 1. Kiristysruuvi 2. Alakahva
2. Kohdista ylempään kahvan ja alemman kahvan ruuvinreiät. Kiinnitä ne kiristysruuveilla ja -muttereilla.
► **Kuva5:** 1. Kiristysmutteri 2. Kiristysruuvi

HUOMAA: Pidä yläkahvaa lujasti niin, ettei se putoa kädestäsi.

3. Kiinnitä pidikkeet kahvaan. Sijoita virtajohto kuvan mukaan.
► **Kuva6:** 1. Kannatin

Levitysosan irrottaminen

Lisävaruste

1. Avaa takakansi.
► **Kuva7:** 1. Takakansi
2. Ota kiinni levitysosan kahvasta ja vedä sitten levitysosa irti ruohonleikkurista kuvan mukaisesti.
► **Kuva8:** 1. Levitysosa 2. Kahva

Ruohosäiliön asentaminen

1. Avaa takakansi.
► **Kuva9:** 1. Takakansi
2. Ripusta ruohosäiliö ruohonleikkurin rungossa olevaan tankoon kuvan mukaisesti.
► **Kuva10:** 1. Koukku 2. Tanko 3. Ruohosäiliö

Levitysosan kiinnittäminen

Lisävaruste

1. Avaa takakansi ja irrota ruohosäiliö.
► **Kuva11:** 1. Takakansi 2. Ruohosäiliö
2. Ota kiinni levitysosan kahvasta ja kiinnitä levitysosa sitten ruohonleikkuriin kuvan mukaisesti.
► **Kuva12:** 1. Levitysosa 2. Kahva

TOIMINTOJEN KUVAUS

Akun asentaminen tai irrottaminen

▲HUOMIO: Sammuta kone aina ennen akkupaketin kiinnittämistä tai irrottamista.

▲HUOMIO: Varmista ennen käyttöä, että akun suojuus on lukittu. Muuten muta, hiekka tai vesi voisi vaurioittaa tuotetta tai akkua.

▲HUOMIO: Työnnä akkupaketti aina pohjaan asti, niin että punainen ilmaisin ei enää näy. Jos akku ei ole kunnolla paikallaan, se voi pudota koneesta ja aiheuttaa vammoja joko sinulle tai sivullisille.

▲HUOMIO: Älä käytä voimaa akun asennuksessa. Jos akku ei liu'u paikalleen helposti, se on väärässä asennossa.

HUOMAA: Kone ei toimi vain yhdellä akkupaketilla.

Akun kiinnittäminen paikalleen;

1. Liu'uta akun suojuksen lukitusvipua itseäsi kohti ja avaa akun suojuus.

► **Kuva13:** 1. Akun suojuus 2. Akun suojuksen lukitusvipu

2. Kohdista akkupaketin kieleke ruohonleikkurin rakoon ja liu'uta sitten akkupakettia, kunnes se lukittuu paikalleen naksahdus.

► **Kuva14:** 1. Akkupaketti

3. Työnnä lukitusavain paikalleen niin pitkälle kuin sen menee.

► **Kuva15:** 1. Lukitusavain

4. Sulje akun kansi ja työnnä sitä, kunnes se lukittuu lukitusvivulla.

Akun irrottaminen ruohonleikkurista;

1. Liu'uta akun suojuksen lukitusvipua itseäsi kohti ja avaa akun suojuus.

2. Irrota akku painamalla akkupaketin etupuolella olevaa painiketta ja vetämällä akku ulos työkalusta.

3. Vedä lukitusavain irti.

4. Sulje akun suojuus.

Koneen/akun suojausjärjestelmä

Kone on varustettu koneen/akun suojausjärjestelmällä. Tämä järjestelmä pidentää työkalun ja akun käyttöikää katkaisemalla automaattisesti moottorin virran. Kone pysähtyy automaattisesti kesken käytön, jos siinä tai akussa ilmenee jokin seuraavista tilanteista.

Ylikuormitusuoja

Kun konetta käytetään tavalla, jossa virrankulutus on suuri, kone pysähtyy automaattisesti ilmoittamatta tästä. Katkaise tässä tilanteessa koneesta virta ja lopeta ylikuormitustilan aiheuttanut käyttö. Käynnistä sitten kone uudelleen kytkemällä siihen virta.

Ylikuumenemissuoja

Kun kone ylikuumenee, se pysähtyy automaattisesti. Anna koneen jäähtyä, ennen kuin kytket sen uudelleen päälle.

Ylipurkautumissuoja

Jos akkukapasiteetti käy vähiin, kone pysähtyy automaattisesti. Jos tuote ei toimi, vaikka kytkimiä käytetään, irrota akut koneesta ja lataa ne.

Akun jäljellä olevan varaustason ilmaisin

► **Kuva16:** 1. Akun ilmaisin












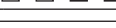
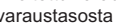




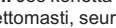
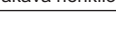


Kun akkukapasiteetti käy vähiin, vastaavan akun puoleinen merkkivalo alkaa vilkkua. Jos käyttöä jatketaan, kone pysähtyy ja akun merkkivalo syttyy noin 10 sekunnin ajaksi. Lataa tässä tilanteessa akkupaketti.

Akun jäljellä olevan varaustason ilmaisin

Vain akkupaketeille ilmaisimella

► **Kuva17:** 1. Merkkivalot 2. Tarkistuspainike

Painamalla tarkistuspainiketta saat näkyviin akun jäljellä olevan varauksen. Merkkivalot palavat muutaman sekunnin ajan.

| Merkkivalot | | | Akussa jäljellä olevan varaus |
|---|---|---|---|
|  Palaa |  Pois päältä |  Vilkkuu | |
|  |  |  | 75% - 100% |
|  |  |  | 50% - 75% |
|  |  |  | 25% - 50% |
|  |  |  | 0% - 25% |
|  |  |  | Lataa akku. |
|  |  |  | Akussa on saatantun ollen toimintahäiriö. |

HUOMAA: Ilmoitettu varaustaso voi erota hieman todellisesta varaustasosta sen mukaan, millaisissa oloissa ja missä lämpötilassa laitetta käytetään.

Kytkimen käyttäminen

▲VAROITUS: Tarkista aina ennen akkupaketin asentamista paikalleen, että kytkinvipu kytketty oikein ja palaa alkuperäiseen asentoonsa, kun se vapautetaan. Jos konetta käytetään, kun kytkin ei toimi moitteettomasti, seurauksena voi olla hallinnan menetys ja vakava henkilövahinko.

HUOMAA: Ruohonleikkuri ei käynnisty painamatta katkaisinpainiketta, vaikka kytkinvipua vedetään.

HUOMAA: Ruohonleikkuri ei ehkä käynnisty ylikuormituksen vuoksi, kun yrität leikata pitkää tai tiheää ruohoa liiallisesti. Lisää tässä tapauksessa leikkauskorkeutta.

Tämä leikkuri on varustettu lukituskatkaisimella ja kahvassa olevalla katkaisimella. Jos jommankumman katkaisimen toiminnassa ilmenee jotakin epätavallista, lopeta laitteen käyttö heti ja pyydä valtuutettua Makita-tuoteliikettä tarkastamaan laite.

1. Asenna akkupaketti paikalleen. Työnnä lukitusavain lukituskatkaisimeen ja sulje akun suojuus.

► **Kuva18:** 1. Akkupaketti 2. Lukitusavain

2. Paina kytkin pohjaan ja pidä painettuna.

3. Tartu yläkahvaan ja vedä kytkinvipua.

► **Kuva19:** 1. Kytkinpainike 2. Kytkinvipu

4. Vapauta kytkinpainike heti, kun moottori alkaa pyöriä. Ruohonleikkuri toimii, kunnes vapautat kytkinvivun.

5. Sammuta moottori vapauttamalla kytkinvipua.

Leikkausvyödyn säätäminen

VAROITUS: Älä koskaan työnnä jalkojasi tai käsiäsi ruohonleikkurin rungon alle leikkauskorkeuden säädön aikana.

VAROITUS: Varmista aina ennen käyttöä, että vipu sopii uraan.

Leikkauskorkeuden säätöalue on 20 mm – 75 mm.

1. Irrota lukitusavain.

2. Vedä leikkauskorkeuden säätövipua ulospäin ruohonleikkurista ja siirrä se haluamasi leikkauskorkeuden kohdalle.

► **Kuva20:** 1. Leikkauskorkeuden säätövipu

HUOMAA: Leikkauskorkeuden arvoja tulee käyttää vain ohjeellisina. Riippuen nurmikon tai maanpinnan kunnosta, todellinen nurmikon korkeus saattaa olla hieman erilainen kuin asetettu korkeus.

HUOMAA: Kokeile leikkauskorkeutta ensin nurmikon syrjäisemmässä osassa.

Ruohomäärän ilmaisim

► **Kuva21:** 1. Ruohomäärän ilmaisim

Ruohomäärän ilmaisim näyttää leikatun ruohon määrän.

- Jos ruohosäiliö ei ole täynnä, ilmaisim liikkuu leikkausajan aikana.
- Jos ruohosäiliö on täynnä, ilmaisim ei liiku leikkauksen aikana. Lopeta silloin leikkaaminen heti ja tyhjennä säiliö. Kun olet tyhjentänyt ruohosäiliön, puhdista se, jotta sen verkkosäätimet päästävät ilman lävitseen.

HUOMAA: Tämä ilmaisim on vain karkea ohje. Säiliön sisäisen tilanteen mukaan ilmaisim ei ehkä toimi oikein kaikissa tilanteissa.

Levitysosan käyttäminen

Lisävaruste

Levitysosa käyttämällä leikatun ruohon voi palauttaa maahan keräämättä sitä ruohosäiliöön. Kun käytät levitysosa koneessa, muista irrottaa ruohosäiliö.

HUOMAUTUS: Kun käytät konetta levitysosan kanssa, varmista, että ruohon puituus on vähintään 30 mm tai leikkauspuituus on enintään 15 mm.

► **Kuva22:** (1) Vähintään 30 (2) Enintään 15

TYÖSKENTELY

Ruohonleikkuu

VAROITUS: Poista kepit ja kivet leikkausalueelta ennen leikkausaloittamista. Poista myös rikkaruohot alueelta ennen ruohon leikkaamista.

VAROITUS: Käytä sivusuojilla varustettuja suojalaseja aina, kun käytät ruohonleikkuria.

HUOMIO: Jos leikattu ruoho tai vierasesineet aiheuttavat tukoksen ruohonleikkurin rungossa, poista lukitusavain ja irrota akkupaketti ennen kuin alat poistaa ruohoa tai vierasesineitä. Käytä käsineitä poiston aikana.

HUOMAUTUS: Käytä tätä konetta vain ruohon leikkaamiseen. Älä leikkaa rikkakasveja tällä koneella.

► **Kuva23**

Pidä kahvasta tukevasti molemmin käsin kiinni leikkausajan aikana.

Suosittelut leikkausnopeus on noin 1 metri 4 sekunnissa.

► **Kuva24**

Etupyörien ulkoreunat toimivat leikkauslevyyden oppaana. Leikkaa nurmikko kaista kerrallaan käyttämällä etupyörien ulkoreunoja kaistan leikkauslevyyden oppaana. Limitä uusi kaista noin kolmasosasta puoleen väliin edellisen kaistan kanssa, niin leikatusta nurmikosta tulee tasainen.

► **Kuva25:** 1. Leikkauslevy 2. Limitäinen alue 3. Ulkoreuna

Vaihda leikkausuintaa joka kaistalle, jotta leikkauskuviot eivät ole vain yksisuuntaiset.

► **Kuva26**

Tarkista aika ajojen ruohosäiliöstä leikattu ruohomäärä. Tyhjennä ruoho, ennen kuin se on täynnä. Varmista ennen tarkastusta, että ruohonleikkuri on pysäytetty ja lukitusavain ja akkupaketti on irrotettu.

HUOMAUTUS: Jos ruohonleikkuria käytetään täysinlaisella ruohosäiliöllä, terä ei pääse pyörimään esteettä, mikä rasittaa moottoria ja voi vaurioittaa sitä.

Pitkän ruohon leikkaaminen

Älä yritä leikata pitkäksi kasvanutta nurmikkoa kokonaan yhdellä leikkuukerralla. Leikkaa sen sijaan nurmikkoa useamassa vaiheessa. Jätä päivä tai kaksi leikkuukertojen väliin, kunnes nurmikko tulee tasaisen lyhyeksi.

HUOMAA: Pitkän ruohon leikkaaminen lyhyeksi yhdellä kerralla voi aiheuttaa ruohon kuoleamisen. Ruoho voi myös tukkia ruohonleikkurin rungon sisäpuolella.

Ruohosäiliön tyhjentäminen

VAROITUS: Onnettomuusriskin pienentämiseksi ruohosäiliön kuntoa tulee valvoa jatkuvasti ja vaurioitunut tai heikentynyt säiliö on tarvittaessa vaihdettava. Vaihda ruohosäiliö tarvittaessa.

1. Vapauta kytkinvipu.
2. Irrota lukitusavain.
3. Avaa takakansi, tartu ruohosäiliön kahvaan ja vedä ruohosäiliö irti.
► **Kuva27:** 1. Takakansi 2. Kahva
4. Tyhjennä ruohosäiliö.

KUNNOSSAPITO

VAROITUS: Varmista aina ennen ruohonleikkurin varastoimista tai kantamista tai sen tarkastus- tai huoltotoimien aloittamista, että lukitusavain ja akkupaketti on irrotettu ruohonleikkurista.

VAROITUS: Poista aina lukitusavain, kun leikkuri ei ole käytössä. Säilytä lukitusavainta turvallisessa paikassa lasten ulottumattomissa.

VAROITUS: Käytä käsineitä tarkastuksen ja huollon aikana.

VAROITUS: Käytä sivusuojilla varustettuja suoja-laseja aina, kun käytät teet tarkastus- tai huoltotoimia.

HUOMAUTUS: Älä koskaan käytä bensiiniä, ohenteita, alkoholia tai tms. aineita. Muutoin pinta voi halkeilla tai sen värit ja muoto voivat muuttua. Muutoin laitteeseen voi tulla värjäytymiä, muodon vääristymiä tai halkeamia.

Tuotteen TURVALLISUUDEN ja LUOTETTAVUUDEN takaamiseksi korjaukset, muut huoltotyöt ja säädöt on teetettävä Makitan valtuutetussa huoltopisteessä Makitan varaosia käyttäen.

Huolto

1. Irrota lukitusavain. Säilytä sitä turvallisessa paikassa lasten ulottumattomissa.
2. Puhdista ruohonleikkuri vain kostealla liinalla. Älä ruiskuta tai kaada vettä ruohonleikkurin päälle puhdistuksen aikana.
3. Käännä ruohonleikkuri kyljelleen ja puhdista ruohonleikkurin kotolon pohjaan kerääntynyt ruohosilppu.

4. Tarkista kaikkien mutterien, pulttien, nuppien, ruuvien, kiinnikkeiden ym. kireys.

5. Tarkista, etteivät liikkuvat osat ole vaurioiden, murttien tai kulumien varalta. Vaurioituneet tai puuttuvat osat tulee korjata tai vaihtaa.

Säilytys

VAROITUS: Älä kannna ruohonleikkuria taivutetuista kahvoista tai säilytä sitä niiden varassa. Käytä niiden sijaan ruohonleikkurin etukahvaa. Ruohonleikkurin nostaminen taivutetuista kahvoista voi vaurioittaa laitetta tai aiheuttaa vakavia vammoja.

Irrota akkupaketti ja poista lukitusavain ennen ruohonleikkurin asettamista varastoon.

Säilytä ruohonleikkuria sisätiloissa viileässä, kuivassa ja luku-tussa paikassa. Älä säilytä ruohonleikkuria ja laturia paikassa, jossa lämpötila voi nousta 40 °C:een tai sitä korkeammaksi.

► **Kuva28:** 1. Etukahva 2. Takakahva

1. Löysää kiristysruuvit ja levitä alakahva molemmille puolille. Siirrä kahvaa alas eteenpäin. Pidä nyt tukevasti kiinni alakahvasta niin, ettei se pääse putoamaan ruohonleikkurin rungon etäisemmälle puolelle.

► **Kuva29:** 1. Kiristysruuvi 2. Alakahva

2. Löysää kiristysmuttereita ja käännä yläkahvaa taakse levittäen samalla molemmille puolille.

► **Kuva30:** 1. Kiristysmutteri 2. Yläkahva

3. Säilytä ruohosäiliötä kahvan ja ruohonleikkurin rungon välissä.

► **Kuva31:** 1. Ruohosäiliö

HUOMAA: Kun asetat ruohonleikkurin pystysuoraan asentoon, älä pidä kiinni kahvasta, vaan ruohonleikkurin etukahvasta.

Ruohonleikkuterän irrotus ja asentaminen

VAROITUS: Irrota lukitusavain ja akku aina ennen terän irrottamista ja asentamista. Jos lukitusavainta ja akkupakettia ei irroteta, seurauksena voi olla vakavia vammoja.

VAROITUS: Terä pyörii vielä muutaman sekunnin ajan kytkimen vapauttamisen jälkeen. Älä aloita mitään toimenpiteitä, ennen kuin terä on täysin pysähtynyt.

VAROITUS: Käytä aina suojakäsineitä, kun käsittelet terää.

Ruohonleikkurin terän irrottaminen

Malli DLM382

1. Käännä ruohonleikkuri kyljelleen siten, että leikkurikorkeuden säätövipu tulee yläpuolelle.
2. Voit lukita terän pyörimisen työntämällä ruuvitaltan tai vastaavan työkalun ruohonleikkurin rungossa olevaan reikään.
3. Kierä pulttia vastapäivään kiintoavaimella.
► **Kuva32:** 1. Ruohonleikkurin terä 2. Ruuvitalta 3. Kiintoavain
4. Irrota järjestyksessä pultti ja terä.
► **Kuva33:** 1. Terän tuki 2. Ruohonleikkurin terä 3. Pultti

Malli DLM432

1. Käännä ruohonleikkuri kyljelleen siten, että leikkukorkeuden säätövipu tulee yläpuolelle.
2. Voit lukita terän pyörimisen työntämällä ruuvitaltan tai vastaavan työkalun ruohonleikkurin rungossa olevaan reikään.
3. Kierrä pulttia vastapäivään kiintoavaimella.
► **Kuva34:** 1. Ruohonleikkurin terä 2. Ruuvitaltta 3. Kiintoavain
4. Irrota pultti, ulkolaippa, ruohonleikkuterä ja sisälaippa järjestyksessä.
► **Kuva35:** 1. Sisälaippa 2. Ruohonleikkurin terä 3. Ulkolaippa 4. Pultti

Ruohonleikkurin terän kiinnittäminen

Ruohonleikkuterä asennetaan päinvastaisessa järjestyksessä.

VAROITUS: Asenna ruohonleikkurin terä huolellisesti. Siinä on ylä-/alapuoli. Asenna terä siten, että terän pyörimissuuntanuoli osoittaa ulospäin.

VAROITUS: Kiinnitä sitten terä paikalleen kiristämällä mutteri tiukasti myötäpäivään kiertäen.

VAROITUS: Varmista, että ruohonleikkurin terä ja kaikki kiinnitysosat on asennettu oikein ja kunnolla kiristetty.

VAROITUS: Kun vaihdat teriä, noudata aina tämän oppaan ohjeita.

VIANMÄÄRITYS

Tarkista laite ensin itse, ennen kuin viet sen korjattavaksi. Jos ongelmaan ei löydy ratkaisua käyttöoppaasta, älä kuitenkaan yritä purkaa työkalua osiin. Vie ota sen sijaan yhteyttä Makita-huoltoiliikkeeseen. Käytä korjaamiseen aina alkuperäisiä Makita-varaosia.

| Epänormaali tila | Todennäköinen syy (toimintahäiriö) | Korjaus |
|--|--|--|
| Ruohonleikkuri ei käynnisty. | Kahta akkupakettia ei ole asennettu. | Asenna ladatut akkupaketit paikalleen. |
| | Akkuongelma (alijännite) | Lataa akkupaketti. Jos lataaminen ei toimi tehokkaasti, vaihda akkupakettia. |
| | Lukitusavain ei ole paikallaan. | Laita lukitusavain paikalleen. |
| Moottori pysähtyy lyhyen käytön jälkeen. | Akun varaus tila on alhainen. | Lataa akkupaketti. Jos lataaminen ei toimi tehokkaasti, vaihda akkupakettia. |
| | Leikkukorkeus on liian alhainen. | Nosta leikkukorkeutta. |
| Moottori ei saavuta suurinta kierroslukua. | Akkupaketti on asennettu väärin. | Asenna akkupaketti tämän käyttöohjeen ohjeiden mukaan. |
| | Akun teho laskee. | Lataa akkupaketti. Jos lataaminen ei toimi tehokkaasti, vaihda akkupakettia. |
| | Vetojärjestelmä ei toimi oikein. | Pyydä vaihdettua huoltoilikeittäsi korjaamaan laite. |
| Ruohonleikkurin terä ei pyöri: ⇒ pysäytä ruohonleikkuri välittömästi! | Vieras esine, esimerkiksi oksa, on juuttunut lähelle terää. | Poista vieras esine. |
| | Vetojärjestelmä ei toimi oikein. | Pyydä vaihdettua huoltoilikeittäsi korjaamaan laite. |
| Epänormaali tärinä: ⇒ pysäytä ruohonleikkuri välittömästi! | Terä on epätasapainossa, liiallisesti tai epätasaisesti kulunut. | Vaihda terä. |

LISÄVARUSTEET

HUOMIO: Seuraavia lisävarusteita tai laitteita suositellaan käytettäväksi tässä ohjeessa kuvatun Makita-työkalun kanssa. Muiden lisävarusteiden tai laitteiden käyttö voi aiheuttaa henkilövahinkoja. Käytä lisävarusteita ja -laitteita vain niiden käyttötarkoituksen mukaisesti.

Jos tarvitset apua tai yksityiskohtaisempia tietoja seuraavista lisävarusteista, ota yhteys paikalliseen Makitan huoltoon.

- Ruohonleikkurin terä
- Levitysosa
- Aito Makita-akku ja -laturi

HUOMAA: Jotkin luettelossa mainitut varusteet voivat sisältyä työkalun toimitukseen vakiovarusteina. Ne voivat vaihdella maittain.

SPECIFIKĀCIJAS

| Modelis: | DLM382 | | DLM432 | |
|---|---------------------------------------|---|---|--|
| Pļaušanas platums (asmens diametrs) | 380 mm | | 430 mm | |
| Ātrums bez slodzes | 3 700 min ⁻¹ | | 3 600 min ⁻¹ | |
| Rezerves pļaujmašīnas asmens daļas numurs | 191D41-2 | | 191D43-8 | |
| Izmēri (G × P × A) | ekspluatācijas laikā | G: no 1 380 mm līdz 1 410 mm P: 450 mm A: no 985 mm līdz 1 005 mm | G: 1 435–1 490 mm P: 460 mm A: 1 005–1 045 mm | |
| | glabāšanas laikā (bez zāles groza) | 860 mm x 450 mm x 475 mm | 865 mm x 460 mm x 475 mm | |
| Nominālais spriegums | Līdzstrāva 36 V | | | |
| Neto svars | 16,2 - 16,9 kg | | 16,8 – 17,5 kg | |

- Nepārtrauktās izpētes un izstrādes programmas dēļ šeit uzrādītās specifikaācijas var tikt mainītas bez brīdinājuma.
- Atkarībā no valsts specifikaācijas var atšķirties.
- Svārs var būt atšķirīgs atkarībā no papildierīces(-ēm), tostarp akumulatora kasetnes. Tabulā ir attēlota vieglākā un smagākā kombinācija atbilstoši EPTA procedūrai 01/2014.

Piemērotā akumulatora kasetne

BL1815N / BL1820 / BL1820B / BL1830 / BL1830B / BL1840 / BL1840B / BL1850 / BL1850B / BL1860B

- Dažas no iepriekš norādītajām akumulatora kasetnēm var nebūt pieejamas atkarībā no jūsu mītnes reģiona.

▲BRĪDINĀJUMS: Izmantojiet vienīgi iepriekš norādītās akumulatora kasetnes. Cita tipa akumulatora kasetņu izmantošana var radīt traumu un/vai aizdegšanās risku.

Simboli

Zemāk ir attēloti simboli, kas attiecas uz iekārtu. Pirms darbarīka izmantošanas pārliecinieties, vai pareizi izprotat to nozīmi.



Esiet īpaši rūpīgs un uzmanīgs.



Izlasiet lietošanas rokasgrāmatu.



Bīstami! Sargieties no izvīstiem priekšmetiem.



Attālumam starp darbarīku un apkārtējiem jābūt vismaz 15 m.



Netuviniet rokas un kājas asmeņiem zem pļaujmašīnas. Asmeņi turpina griezties arī pēc motora izslēgšanas.



Pirms pļaujmašīnas pārbaudes, regulēšanas, tīrīšanas, apkopes, atstāšanas bez uzraudzības un uzglabāšanas izņemiet bloķēšanas atslēgu.



Tikai ES valstīm
Neizmetiet elektroiekārtas vai akumulatoru mājāsaimniecības atkritumos!
Saskaņā ar Eiropas direktīvu par elektrisko un elektronisko iekārtu atkritumiem, kā arī par baterijām un akumulatoriem, un bateriju un akumulatoru atkritumiem un to īstenošanu saskaņā ar valsts likumdošanu lietotais elektriskais aprīkojums, baterijas un akumulators kalpošanas laika beigās jāsavāc atsevišķi un jānogādā atreizējai pārstrādei vidi saudzējošā veidā.

Paredzētā lietošana

Šī mašīna ir paredzēta zāles pļaušanai.

Trokšņa līmenis

Tipiskais A svērtais trokšņa līmenis noteikts saskaņā ar EN60335-2-77:

Modelis DLM382

Skaņas spiediena līmenis (L_{pA}): 81 dB (A)

Skaņas jaudas līmenis (L_{WA}): 91 dB (A)

Mainīgums (K): 3 dB (A)

Modelis DLM432

Skaņas spiediena līmenis (L_{pA}): 81 dB (A)

Skaņas jaudas līmenis (L_{WA}): 92 dB (A)

Mainīgums (K): 3 dB (A)

PIEZĪME: Paziņotā trokšņa emisijas vērtība noteikta atbilstoši standarta pārbaudes metodei, un to var izmantot, lai salīdzinātu vienu darbarīku ar citu.

PIEZĪME: Paziņoto trokšņa emisijas vērtību arī var izmantot iedarbības sākotnējā novērtējumā.

▲BRĪDINĀJUMS: Lietojiet ausu aizsargus.

▲BRĪDINĀJUMS: Trokšņa emisija patiesos darba apstākļos var atšķirties no paziņotās vērtības atkarībā no darbarīka izmantošanas veida un jo īpaši atkarībā no apstrādājamā materiāla veida.

▲BRĪDINĀJUMS: Lai aizsargātu lietotāju, nosakiet drošības pasākumus, kas pamatoti ar iedarbību reālos darba apstākļos (ņemot vērā visus ekspluatācijas cikla posmus, piemēram, laiku, kamēr darbarīks ir izslēgts un kad darbojas tukšgaitā, kā arī palaišanas laiku).

Vibrācija

Vibrācijas kopējā vērtība (trīsasu vektora summa) noteikta atbilstoši EN60335-2-77:

Modelis DLM382

Vibrācijas izmēte (a_{11}): 2,5 m/s² vai mazāk
Mainīgums (K): 2,0 m/s²

Modelis DLM432

Vibrācijas izmēte (a_{11}): 2,5 m/s² vai mazāk
Mainīgums (K): 1,5 m/s²

PIEZĪME: Paziņotā kopējā vibrācijas vērtība noteikta atbilstoši standarta pārbaudes metodei, un to var izmantot, lai salīdzinātu vienu darbarīku ar citu.

PIEZĪME: Paziņoto kopējo vibrācijas vērtību arī var izmantot iedarbības sākotnējā novērtējumā.

BRĪDINĀJUMS: Vibrācijas emisija patiesos darba apstākļos var atšķirties no paziņotās vērtības atkarībā no darbarīka izmantošanas veida un jo īpaši atkarībā no apstrādājamā materiāla veida.

BRĪDINĀJUMS: Lai aizsargātu lietotāju, nosakiet drošības pasākumus, kas pamatoti ar iedarbību reālos darba apstākļos (ņemot vērā visus ekspluatācijas cikla posmus, piemēram, laiku, kamēr darbarīks ir izslēgts un kad darbojas tukšgaitā, kā arī palaides laiku).

EK atbilstības deklarācija

Tikai Eiropas valstīm

EK atbilstības deklarācija šajā lietošanas rokasgrāmatā ir iekļauta kā A pielikums.

DROŠĪBAS BRĪDINĀJUMI

SVARĪGI DROŠĪBAS NOTEIKUMI

BRĪDINĀJUMS: Izlasiet visus drošības brīdinājumus un visus norādījumus. Brīdinājumu un norādījumu neievērošanas gadījumā var rasties elektriskās strāvas trieciens, ugunsgrēks un/vai nopietnas traumas.

Glabājiet visus brīdinājumus un norādījumus, lai varētu tajos ieskatīties turpmāk.

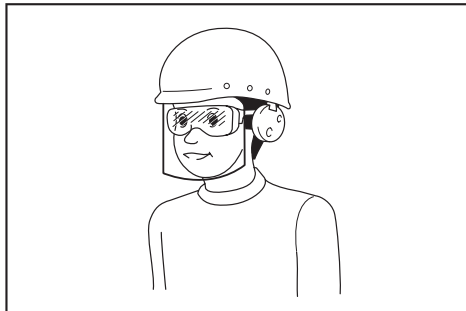
Apmācība

1. Uzmanīgi izlasiet norādījumus. Izprotiet plaujmašīnas vadības funkcijas un pareizas izmantošanas instrukcijas.
2. Nekādā gadījumā nepieļaujiet, ka zāles plaujmašīnu izmanto bērni vai cilvēki, kas nepārzina šos norādījumus plaujmašīnas izmantošanai. Vietējie noteikumi var ierobežot lietotāja vecumu.
3. Nekādā gadījumā nestrādājiet ar plaujmašīnu, ja tuvumā ir cilvēki (īpaši bērni) vai dzīvnieki.
4. Ņemiet vērā, ka operators vai lietotājs ir atbildīgs par negadījumiem vai apdraudējumu, kas radīts citiem cilvēkiem vai to īpašumam.

5. Bērni ir jāuzrauga, lai tie nerotātos ar plaujmašīnu.
6. Fiziskais stāvoklis — nedarbiniet plaujmašīnu, ja esat narkotiku, alkohola vai zāļu ietekmē.

Sagatavošanās

1. Izņemot plaujmašīnu, vienmēr valkājiet izturīgus apavus un garās bikses. Nelietojiet plaujmašīnu, ja kājas ir basas vai valkājāt atvērtas sandales. Nevalkājiet apģērbu vai rotaslietas, kas ir vaļīgas vai kam ir auklas vai saites. Tās var iekļerties kustīgajās daļās.
2. Pirms lietošanas vienmēr pārbaudiet, vai plaujmašīnas aizsargi vai vairogi nav bojāti, pazuduši vai uzstādīti nepareizi.
3. Pirms plaušanas pārbaudiet, vai darba zonā nav citu cilvēku. Apturiet plaujmašīnu, ja kāds ienāk darba zonā.
4. Neievietojiet atslēgu plaujmašīnā, ja tā nav gatava izmantošanai.
5. Kad izmantojat mehāniskos darbarīkus, vienmēr valkājiet aizsargbrilles, lai pasargātu acis. Aizsargbrillēm jāatbilst šādiem standartiem: ANSI Z87.1 ASV, EN 166 Eiropā un AS/NZS 1336 Austrālijā/Jaunzēlandē. Austrālijā/Jaunzēlandē ar likumu noteikts, ka darba laikā jāizmanto arī sejsargs.



Darba devējam ir jānodrošina tas, lai darbarīka operatori un citas tiešajā darba vietā esošās personas izmantotu vajadzīgo aizsargaprīkojumu.

6. Pirms ekspluatācijas rūpīgi pārbaudiet, vai asmeņiem vai asmeņu bulskrūvēm nav plaisu vai bojājumu. Ieplaisājušus vai bojātus asmeņus vai asmeņu bulskrūves nekavējoties nomainiet.
7. Pirms plaušanas atīriet darba zonu no svešķermeņiem, piemēram, akmeņiem, stieplēm, pudelēm, kauliem un lieliem zariem, lai nevienu netraumētu un nesabojātu plaujmašīnu.
8. Plaujmašīnas asmens aizķertie priekšmeti var izraisīt smagas traumas. Pirms plaušanas vienmēr rūpīgi pārbaudiet, vai zālienā nav svešķermeņu.
9. Uzmanieties no bedrēm, grambām, uzkalniņiem, akmeņiem un grūti pamanāmiem priekšmetiem. Strādājot uz nelīdzenas virsmas, varat paslīdēt un nokrist, tādējādi gūstot traumas. Garā zālē var būt grūti pamanāmi šķēršļi.

Ekspluatācija

1. Nesniedzieties pārāk tālu. Vienmēr saglabājiet līdzsvaru. Strādājot nogāzē, raugieties, lai kāju atbalsts būtu stabils. Pārvietojieties ejot, nekad neskrīniet.

2. Apturiet plaujmašīnu, izņemiet blokēšanas atslēgu un pārliecinieties, ka visas kustīgās daļas ir pilnībā apstājušās:
 - ja atstājat plaujmašīnu bez uzraudzības;
 - pirms nosprostojušu tīrīšanas vai izlaides teknes tīrīšanas;
 - pirms plaujmašīnas pārbaudīšanas, tīrīšanas vai remontēšanas;
 - pēc sadursmes ar kādu priekšmetu.
 Pārbaudiet, vai plaujmašīnai nav bojājumu un pirms plaujmašīnas atkārtotas iedarbināšanas un lietošanas veiciet remontu;
 - ja plaujmašīna sāk neparasti vibrēt.
3. Nekādā gadījumā nelietojiet plaujmašīnu, ja bojāti tās aizsargi vai vairogi vai ja nav uzstādītas drošības ierīces, piemēram, deflektori un/ vai zāles grozs.
4. Neizmantojiet plaujmašīnu sliktos laikapstākļos, jo īpaši laikā, kad iespējams zibens.
5. Strādājot ar plaujmašīnu, vienmēr izmantojiet acu aizsarglīdzekļus un valkājiet izturīgus apavus.
6. Plaujmašīnu izmantojiet tikai dienas gaismā vai labā mākslīgajā apgaismojumā.
7. Plaujmašīnu iedarbiniet uzmanīgi saskaņā ar norādījumiem un netuvinot pēdas asmenim(-ņiem).
8. Uzmaniēties, lai plaujmašīnas asmens nesavainotu jūsu kājas un rokas.
9. Vienmēr nodrošiniet, lai ventilācijas atverēs nebūtu netīrumu.
10. Plaujiet slīpi pāri nogāzei, nekad nepļaujiet uz augšu vai uz leju. Mainot virzienu nogāzēs, uzmanieties īpaši. Nepļaujiet pārāk stāvas nogāzes.
11. Īpaši uzmanieties, strādājot atpakaļgaitā vai velkot plaujmašīnu pie sevis.
12. Apturiet asmeni(-ņus), ja plaujmašīna ir jāasver, pārvietojot vai šķērsojot virsmu, kas nav zāle, kā arī pārvietojot plaujmašīnu uz pļaušanas vietu un no tās.
13. Iedarbinot motoru, nesasveriet plaujmašīnu, ja vien tas nav jādara, lai tā sāktu darboties. Šādā gadījumā sasveriet to ne vairāk, kā nepieciešams, un paceliet tikai to daļu, kas nav lietojama tuvumā. Pirms plaujmašīnas novietošanas atpakaļ uz zemes, vienmēr pārliecinieties, ka abas rokas atrodas darba pozīcijā.
14. Plaukstas vai pēdas nelieciet rotējošo detaļu tuvumā vai zem tām. Nekad nestāviet izvades atvēruma tuvumā.
15. Netransportējiet plaujmašīnu, ja tā ir ieslēgta.
16. Nelietojiet plaujmašīnu mitrā zālē.
17. Nelietojiet plaujmašīnu lietū.
18. Rokturi vienmēr turiet cieši.
19. Paceļot vai turot plaujmašīnu, nesatveriet to aiz asmeņiem.
20. Rokas un kājas netuviniet rotējošiem asmeņiem. Uzmanību! Asmeņi turpina griezties arī pēc plaujmašīnas izslēgšanas.
21. Ja ievērojat ko neparastu, nekavējoties pārtrauciet darbu. Izslēdziet plaujmašīnu un izņemiet blokēšanas atslēgu. Pēc tam pārbaudiet plaujmašīnu.
22. Ja plaujmašīnai ir griešanas augstuma regulēšanas funkcija, nekad nemēģiniet regulēt griešanas augstumu, kamēr plaujmašīna darbojas.
23. Pirms piebraucamo ceļu, taku, ceļu un ar granti klātu vietu šķērsošanas atļaidiet slēdža sviru un ļaujiet asmenim apstāties. Izņemiet arī atslēgu, ja atstājat plaujmašīnu, sniedzoties kaut ko pacelt vai cenšoties noņemt kādu šķērslī, kā arī citu apstākļu gadījumā, kas neļauj pilnībā koncentrēties veicamajam darbam.
24. Ja plaujmašīna trāpa kādam objektam, rīkojieties šādi:
 - Apturiet plaujmašīnu, atļaidiet slēdža sviru un uzgaidiet, līdz asmens pilnībā apstājas.
 - Izņemiet atslēgu un akumulatora kasetni.
 - Rūpīgi pārbaudiet, vai plaujmašīnai nav bojājumu.
 - Nomainiet asmeni, ja tas ir bojāts. Bojājumu novērsiet pirms plaujmašīnas atkārtotas iedarbināšanas un turpināšanas.
25. Neiedarbiniet plaujmašīnu, ja stāvat pretī izvades atvēruram.
26. Ja plaujmašīna sāk neparasti vibrēt (nekavējoties pārbaudiet)
 - pārbaudiet, vai nav bojājumu;
 - nomainiet vai saremontējiet bojātas daļas;
 - pārbaudiet un pieskrūvējiet vajīgās detaļas.
27. Nekad nevērsiet izvadīto materiālu pret citiem cilvēkiem. Materiālu nedrīkst izvadīt pret sienu vai kādu citu šķērslī. Materiāls pēc rikošeta var lidot operatora virzienā. Šķērsojot akmeņainas virsmas, apstādiniet asmeni.
28. Nevelciet plaujmašīnu atpakaļgaitā, ja vien tas nav absolūti nepieciešams. Ja esat spiests vilkt plaujmašīnu atpakaļgaitā prom no žoga vai cita šķēršļa, vispirms un arī kustības laikā skatieties uz leju un aizmuguri.
29. Pirms zāles uztvērēja izņemšanas izslēdziet motoru un uzgaidiet, līdz asmens ir pilnībā apstājies. Nemiet vērā, ka asmens pēc izslēgšanas turpina kustēties inerces dēļ.

Apkope un uzglabāšana

1. Drošības nolūkā nomainiet nodilušas vai nolietotas daļas. Izmantojiet tikai oriģinālās rezerves daļas un piederumus.
2. Regulāri pārbaudiet plaujmašīnu un veiciet tās apkopi.
3. Kad plaujmašīnu neizmantojat, glabājiet to bērniem nepieejamā vietā.
4. Visus uzgriežņus, bultskrūves un skrūves uzturiet cieši pievilktus, lai aprikojums aizvien būtu drošā darba stāvoklī.
5. Regulāri pārbaudiet, vai zāles grozs nav nodilis vai nolietojies. Kad ierīci liekat glabāšanā, pārbaudiet, vai zāles grozs ir tukšs. Nodilušu zāles grozu drošības nolūkā nomainiet pret jaunu rūpnīcas rezerves grozu.
6. Izmantojiet tikai šajā rokasgrāmatā norādītos ražotāja oriģinālos asmeņus.
7. Uzmaniēties, regulējot plaujmašīnu, lai pirksti neiesprūstu starp ierīces kustīgajiem asmeņiem un fiksētajām daļām.
8. Nemazgājiet plaujmašīnu ar šļūteni; neļaujiet ūdenim iekļūt motorā un elektriskajos savienojumos.
9. Bieži pārbaudiet, vai stiprinājuma skrūve pievilka pietiekami cieši.

10. **Pirms novietošanas** glabātavā ļaujiet pļaujmašīnai atdzist.
11. Veicot asmeņu apkopi, ņemiet vērā, ka, lai gan barošanas avots ir izslēgts, asmeņus joprojām var pārvietot.
12. Nekad neizņemiet un neaiztieciet drošības ierīces. Regulāri pārbaudiet, vai tās darbojas pareizi. Nekad neveiciet darbības, kas varētu traucēt drošības ierīces darbību vai samazināt aizsardzību, ko sniedz drošības ierīce.

Bezvada darbarīka lietošana un apkope

1. **Uzlādei izmantotiet tikai ražotāja norādītos lādētājus.** Vienam akumulatoru tipam paredzēta uzlādētāja izmantošana cita tipa akumulatoru uzlādei var radīt aizdegšanās bīstamību.
2. **Izmantojiet mehanizētos darbarīkus tikai ar paredzētajiem akumulatoriem.** Jebkura cita tipa akumulatoru izmantošana var radīt traumu un aizdegšanās bīstamību.
3. **Kamēr akumulators netiek izmantots, neturiet to blakus metāla priekšmetiem, piemēram, saspriedēm, monētām, atslēgām, naglām, skrūvēm un citiem nelieliem metāla priekšmetiem, kas var savienot izvadus.** Akumulatora spaiļu īssavienojums var izraisīt apdegumus vai aizdegšanos.
4. **Nepareizas lietošanas gadījumā no akumulatora var izteciēt šķidrums, nepieskarieties tam. Ja nejausi pieskārāties šķidrumam, noskalojiet skarto vietu ar ūdeni. Ja šķidrums nokļūst acīs, papildus iepriekš minētajam, vērsieties pie ārsta.** No akumulatora izteciējušais šķidrums var izraisīt kairinājumu vai apdegumus.
5. **Ja akumulatora bloks vai darbarīks ir bojāts vai pārveidots, nelietojiet to.** Bojāti vai pārveidoti akumulatori var darboties nepareizi, izraisot aizdegšanos, sprādzienu vai traumu.
6. **Akumulatora bloku un darbarīku nepakļaujiet uguns un pārmērīgi augstas temperatūras ietekmei.** Ja akumulatora bloks vai darbarīks tiek pakļauts uguns vai par 130 °C augstākas temperatūras iedarbībai, var notikt sprādziens.
7. **Izpildiet visus uzlādes norādījumus un neuzlādējiet akumulatora bloku ārpus norādījumos noteiktā temperatūras diapazona.** Nepareiza uzlāde vai temperatūra, kas ir ārpus noteiktā diapazona, var sabojāt akumulatoru un palielināt aizdegšanās draudus.

Elektronrošība un akumulatora drošība

1. **Neatbrīvojieties no akumulatora(-iem), to(-s) dedzinot.** Var rasties eksplozija. Skatiet attiecīgos valsts noteikumus, lai uzzinātu īpašus norādījumus izmešanai atkritumos.
2. **Akumulatoru(-s) nedrīkst atvērt vai sabojāt.** Izteciējušais elektrolīts ir kodīgs un var nodarīt kaitējumu acīm vai ādai. Norijot tas var būt toksisks.
3. **Nelādējiet akumulatoru lietū vai mitrās vietās.**
4. **Nelādējiet akumulatoru ārpus telpām.**
5. **Neaiztieciet lādētāju, kā arī lādētāja spraudni vai spaiļes ar slapjām rokām.**

Apkope

1. **Uzticiet sava elektriskā darbarīka apkopi kvalificētam remontstrādniekam, izmantojiet tikai identiskas rezerves daļas.** Tas garantēs to, ka elektriskā darbarīka drošības pakāpe nesamazināsies.

2. **Nekādā gadījumā nelietojiet bojātus akumulatora blokus.** Akumulatora bloka apkopi drīkst veikt tikai to ražotājs vai pilnvaroti apkopes centri.

SAGLABĀJIET ŠOS NORĀDĪJUMUS.

▲BRĪDINĀJUMS: NEPIELĀUJIET to, ka labu iemaņu vai izstrādājuma labas pārzināšanas (darbarīku atkārtoti ekspluatējot) rezultātā vairs stingri neievērojat šīs izstrādājuma drošības noteikumus.

NEPAREIZI LIETOJOT darbarīku vai neievērojot šajā instrukciju rokasgrāmatā minētos drošības noteikumus, var tikt gūtas smagas traumas.

Svarīgi drošības norādījumi par akumulatora kasetni

1. **Pirms akumulatora lietošanas izlasiet visus norādījumus un brīdinājumus, kuri attiecas uz (1) akumulatora lādētāju, (2) akumulatoru un (3) ierīci, kurā tiek izmantots akumulators.**
2. **Neizjauciet akumulatoru.**
3. **Ja akumulatora darbības laiks kļūva ievērojami īsāks, nekavējoties pārtrauciet to izmantot. Citādi, tas var izraisīt pārkarsējumu, uzliesmojumu vai pat sprādzienu.**
4. **Ja elektrolīts nonāk acīs, izskalojiet tās ar tīru ūdens un nekavējoties griežieties pie ārsta. Tas var izraisīt redzes zaudēšanu.**
5. **Neradiet īssavienojumu akumulatora kasetnē:**
 - (1) **Nepieskarieties spaiļēm ar elektrību vadošiem materiāliem.**
 - (2) **Neuzglabājiet akumulatoru kasetni kopā ar citiem metāla priekšmetiem, tādiem kā naglas, monētas u. c.**
 - (3) **Nepakļaujiet akumulatora kasetni ūdens vai lietus iedarbībai.****Akumulatora īssavienojums var radīt spēcīgu strāvas plūsmu, pārkarsānu, uzliesmojumu un pat sabojāt akumulatoru.**
6. **Neglabājiet darbarīku un akumulatora kasetni vietās, kur temperatūra var sasniegt vai pārsniegt 50 °C (122 °F).**
7. **Nedeziniet akumulatora kasetni, pat ja tā ir stipri bojāta vai pilnībā nolietota. Akumulatora kasetne ugunī var eksplodēt.**
8. **Uzmanieties, lai nejautu akumulatoram nokrist un nepakļautu to siltienam.**
9. **Neizmantojiet bojātu akumulatoru.**
10. **Uz izmantotajiem litija jonu akumulatoriem attiecas likumdošanas prasības par bīstamiem izstrādājumiem.**

Komerציālā transportēšanā, ko veic, piemēram, trešās puses, transporta uzņēmumi, jāievēro uz iesaiņojuma un marķējuma norādītās īpašās prasības. Lai izstrādājumu sagatavotu nosūtīšanai, jāpasaziņās ar bīstamo materiālu speciālistu. Ievērojiet arī citus attiecināmos valsts normatīvus.

Vajļējus kontaktus nosedziet ar līmlenti vai citādi pārklājiet, bet akumulatoru iesaiņojiet tā, lai sainītas nevarētu uzkustēties.
11. **Lai utilizētu akumulatora kasetni, izņemiet to no darbarīka un likvidējiet drošā vietā. Ievērojiet vietējos noteikumus par akumulatora likvidēšanu.**

- Izmantojiet šos akumulatorus tikai ar izstrādājumiem, kurus norādījis Makita. Ievietojot šos akumulatorus nesaderīgos izstrādājumos, var rasties ugunsgrēks, pārmērīgs karstums, tie var uzsprāgt vai no tiem var iztect elektrolīts.
- Ja darbarīks netiks lietots ilgu laiku, no tā jāizņem akumulators.

SAGLABĀJIET ŠOS NORĀDĪJUMUS.

⚠UZMANĪBU: Lietojiet tikai oriģinālos Makita akumulatorus. Ja lietojat neoriģinālus Makita akumulatorus vai pārveidotus akumulatorus, tie var uzsprāgt un izraisīt aizdegšanos, traumas un materiālos zaudējumus. Tīks anulēta arī Makita darbarīka un lādētāja garantija.

Ieteikumi akumulatora kalpošanas laika pagarināšanai

- Uzlādējiet akumulatora kasetni, pirms tā ir pilnībā izlādējusies. Vienmēr, kad ievērojāt, ka darbarīka darba jauda zudusi, apturiet darbarīku un uzlādējiet akumulatora kasetni.
- Nekad neuzlādējiet pilnībā uzlādētu akumulatora kasetni. Pārmērīga uzlāde saīsina akumulatora kalpošanas laiku.
- Uzlādējiet akumulatora kasetni istabas temperatūrā 10 °C - 40 °C. Karstai akumulatora kasetnei pirms uzlādes ļaujiet atdzist.
- Uzlādējiet litija jonu akumulatora kasetni, ja to ilgstoši nelietosīt (vairāk nekā sešus mēnešus).

MONTĀŽA

⚠BRĪDINĀJUMS: Pirms darbošanās ap ļaujumašīnu vienmēr pārbaudiet, vai bloķēšanas atslēga un akumulatora kasetne ir izņemta. Ja bloķēšanas atslēgu un akumulatora kasetni neizņem, tad, ļaujumašīnai nejauši ieslēdzoties, var gūt smagas traumas.

⚠BRĪDINĀJUMS: Neieslēdziet ļaujumašīnu, ja tā nav pilnībā salikta. Nejauši ieslēdzot daļēji saliktu ļaujumašīnu, var gūt smagas traumas.

Akumulatora vāka uzstādīšana

⚠BRĪDINĀJUMS: Bloķēšanas atslēgu un akumulatora kasetni neievietojiet pirms akumulatora vāka uzstādīšanas. Neievērojot šo nosacījumu, var gūt smagas traumas.

Pirms ļaujumašīnas lietošanas pilnībā uzstādiet akumulatora vāku. Akumulatora vāks ļaujumašīnu un akumulatora kasetni aizsargā pret dubļiem, netīrumiem un ūdeni.

- Novietojiet akumulatora pārsegu uz ļaujumašīnas tā, lai tā izvirkējumi savietotos ar akumulatora pārsega caurumiem.
▶ **Att.1:** 1. Izvirkējums 2. Atvere 3. Akumulatora vāks
- Akumulatora vāka vidū uzlieciet plaukstu un piespiediet vāku.
▶ **Att.2**

- Pirms pirmās lietošanas reizes pārbaudiet, vai akumulatora vāka pagriešanas punkts ir piestiprināts pareizi. Ja akumulatora vāks uzstādīts pareizi, to nevarēs atvērt, nepavelkot akumulatora vāka fiksācijas sviru.
▶ **Att.3:** 1. Pagriešanas punkts 2. Akumulatora vāka fiksācijas svira

Roktura uzstādīšana

IEVĒRĪBAI: Uzstādot rokturus, vadus novietojiet tā, lai tie nevarētu iekerties starp rokturiem. Ja vads ir bojāts, ļaujumašīnas slēdzis var nedarboties.

- Abus apakšējā roktura galus iebīdīet ļaujumašīnas rievās, tad pilnībā pievelciet saspiedēja skrūves.
▶ **Att.4:** 1. Saspiedēja skrūve 2. Apakšējais rokturis
- Salāgojiet augšējā un apakšējā roktura skrūvju atveres. Rokturus nostipriniet ar saspiedēja skrūvēm un uzgriežņiem.
▶ **Att.5:** 1. Stiprinājuma uzgrieznis 2. Saspiedēja skrūve

PIEŽĪME: Lai augšējais rokturis neizkristu jums no rokām, turiet to cieši.

- Rokturim piestipriniet turētājus. Barošanas kabeli novietojiet tā, kā parādīts attēlā.
▶ **Att.6:** 1. Turētājs

Mulčēšanas spraudņa noņemšana

Papildpiederumi

- Atveriet aizmugurējo pārsegu.
▶ **Att.7:** 1. Aizmugurējais pārsegs
- Satveriet mulčēšanas spraudņa rokturi un tad izvelciet to no ļaujumašīnas, kā parādīts attēlā.
▶ **Att.8:** 1. Mulčēšanas spraudnis 2. Rokturis

Zāles groza uzstādīšana

- Atveriet aizmugurējo pārsegu.
▶ **Att.9:** 1. Aizmugurējais pārsegs
- Pieāķējiet zāles grozu ļaujumašīnas korpusa stienim, kā attēlots.
▶ **Att.10:** 1. Āķis 2. Stienis 3. Zāles grozs

Mulčēšanas spraudņa piestiprināšana

Papildpiederumi

- Atveriet aizmugurējo pārsegu un izņemiet zāles grozu.
▶ **Att.11:** 1. Aizmugurējais pārsegs 2. Zāles grozs
- Satveriet mulčēšanas spraudņa rokturi un tad piestipriniet to ļaujumašīnai, kā parādīts attēlā.
▶ **Att.12:** 1. Mulčēšanas spraudnis 2. Rokturis

FUNKCIJU APRAKSTS

Akumulatora kasetnes uzstādīšana un izņemšana

⚠UZMANĪBU: Pirms akumulatora kasetnes uzstādīšanas vai izņemšanas vienmēr izslēdziet ierīci.

⚠UZMANĪBU: Pirms lietošanas pārbaudiet, vai akumulatora vāks ir bloķēts. Citādi dubļi, netīrumi vai ūdens var izraisīt izstrādājuma vai akumulatora kasetnes bojājumus.

⚠UZMANĪBU: Vienmēr ievietojiet akumulatora kasetni līdz galam, lai nav redzams sarkanās krāsas indikators. Citādi akumulators var nejauši izkrist no ierīces un radīt jums vai apkārtējiem traumas.

⚠UZMANĪBU: Neievietojiet akumulatora kasetni ar spēku. Ja kasetne neslīd ietvarā viegli, tā nav pareizi ielikta.

PIEZĪME: Ierīce nedarbojas tikai ar vienu akumulatora kasetni.

Darbības akumulatora kasetnes uzstādīšanai

1. Pabīdīet akumulatora vāka fiksācijas sviru un atveriet akumulatora vāku.

▶ **Att.13:** 1. Akumulatora vāks 2. Akumulatora vāka fiksācijas svira

2. Savietojiet akumulatora kasetnes mēlīti ar atveri uz plaujmašīnas un bīdīet kasetni, līdz tā ar nelielu klikšķi nofiksējas vietā.

▶ **Att.14:** 1. Akumulatora kasetne

3. Bloķēšanas atslēgu ievietojiet atēlā redzamajā vietā līdz galam.

▶ **Att.15:** 1. Bloķēšanas atslēga

4. Aizveriet akumulatora vāku un bīdīet, līdz to nofiksē fiksācijas svira.

Darbības akumulatora kasetnes izņemšanai no plaujmašīnas

1. Pabīdīet akumulatora vāka fiksācijas sviru un atveriet akumulatora vāku.

2. Akumulatora kasetni izņemiet no plaujmašīnas, vienlaikus bīdot pogu kasetnes priekšpusē.

3. Izvelciet bloķēšanas atslēgu.

4. Aizveriet akumulatora vāku.

Ierīces/akumulatora aizsardzības sistēma

Ierīce ir aprīkota ar ierīces/akumulatora aizsardzības sistēmu. Šī sistēma automātiski izslēdz motora barošanu, lai pagarinātu darbarīka un akumulatora darbmūžu. Lietošanas laikā darbarīks automātiski pārstās darboties, ja darbarīku vai akumulatoru pakļaus kādam no tālāk minētajiem apstākļiem.

Aizsardzība pret pārslodzi

Ja ierīces lietošanas laikā tiek patērēts pārmērīgi liels strāvas daudzums, ierīce automātiski pārstāj darboties bez iepriekšējas norādes. Šādā gadījumā izslēdziet darbarīku un pārtrauciet darbību, kas izraisa pārslodzi. Pēc tam ieslēdziet darbarīku, lai atsāktu darbu.

Aizsardzība pret pārkaršanu

Ja ierīce ir pārkarusi, tā automātiski apstājas. Pirms atkārtotas ieslēgšanas ļaujiet ierīcei atdzist.

Aizsardzība pret akumulatora pārmērīgu izlādi

Ja atlikusī akumulatora jauda ir zema, ierīce automātiski pārstāj darboties. Ja darbarīks nedarbojas, pat ieslēdzot slēdžus, izņemiet akumulatorus no darbarīka un uzlādējiet akumulatorus.

Atlikušās akumulatora jaudas indikators

▶ **Att.16:** 1. Akumulatora indikators










Kad atlikusī akumulatora jauda ir zema, attiecīgā akumulatora pusē sāk mirgot akumulatora indikators. Ja mašīnu turpina lietot, tā pārstāj darboties un apmēram 10 sekundes izgaismojas akumulatora indikators. Šādā gadījumā uzlādējiet akumulatora kasetni.

Atlikušās akumulatora jaudas indikators

Tikai akumulatora kasetnēm ar indikatoru

▶ **Att.17:** 1. Indikators lampas 2. Pārbaudes poga

Nospiediet akumulatora kasetnes pārbaudes pogu, lai pārbaudītu akumulatora atlikušo uzlādes līmeni. Indikatori iedegsies uz dažām sekundēm.

| Indikatora lampas | | | Atlikusī jauda |
|--|--|---|------------------------------|
|  ledezies |  izslēgts |  Mirgo | |
|  | | | No 75% līdz 100% |
|  | | | No 50% līdz 75% |
|  | | | No 25% līdz 50% |
|  | | | No 0% līdz 25% |
|  | | | Uzlādējiet akumulatoru. |
|  | | | Iespējama akumulatora kļūme. |

PIEZĪME: Reālā jauda var nedaudz atšķirties no norādītās atkarībā no lietošanas apstākļiem un apkārtējās temperatūras.

Slēdža darbība

⚠ABRĪDINĀJUMS: Pirms akumulatora kasetnes uzstādīšanas, vienmēr pārbaudiet, vai slēdža svira darbojas pareizi un pēc atlaišanas atgriežas sākotnējā stāvoklī. Lietojot mašīnu, kuras slēdzis nedarbojas pareizi, tā var kļūt nevadāma un radīt nopietnas traumas.

PIEZĪME: Pļaujmašīna nesāk darboties bez slēdža pogas nospiešanas pat tad, ja ir pārbīdīta slēdža svira.

PIEZĪME: Mēģinot pļaut garu, mitru zāli, pārslodzes dēļ pļaujmašīnu var neizdoties iedarbināt. Šādā gadījumā palieliniet pļaušanas augstumu.

Šī pļaujmašīna ir aprīkota ar bloķēšanas slēdzi un roktura slēdzi. Ja konstatējat, ka kāds no šiem slēdžiem darbojas nepareizi, nekavējoties pārtrauciet lietošanu un nododiet mašīnu pārbaudei tuvākajā pilnvarotajā Makita apkopes centrā.

1. Uzstādiēt akumulatora kasetnes. Bloķēšanas atslēgu ievietojiet bloķēšanas slēdzī, tad aizveriet akumulatora vāku.

► **Att.18:** 1. Akumulatora kasetne 2. Bloķēšanas atslēga

2. Nospiediet un turiet slēdža pogu.

3. Satveriet augšējo rokturi un pavelciet slēdža sviru.
► **Att.19:** 1. Slēdža poga 2. Slēdža svira

4. Kad motors iedarbināts, atlaidiet slēdža pogu. Pļaujmašīna turpinās darboties, līdz atlaidīsiet slēdža sviru.

5. Lai apturētu motoru, atlaidiet slēdža sviru.

Pļaušanas augstuma regulēšana

▲BRĪDINĀJUMS: Nekad nelieciet rokas un kājas zem pļaujmašīnas, kad regulējat pļaušanas augstumu.

▲BRĪDINĀJUMS: Pirms lietošanas vienmēr pārbaudiet, vai svira pilnībā nofiksējusies rievā.

Pļaušanas augstumu var regulēt diapazonā no 20 mm līdz 75 mm.

1. Izņemiet bloķēšanas atslēgu.

2. Pļaušanas augstuma regulēšanas sviru pavelciet pret pļaujmašīnas korpusu un pārbīdīdiet vajadzīgajā pļaušanas augstumā.

► **Att.20:** 1. Pļaušanas augstuma regulēšanas svira

PIEZĪME: Pļaušanas augstumu norādošie skaitļi jāuzskata tikai par informatīviem. Mauriņa vai grunts stāvokļa dēļ faktiskais zāliena augstums var nedaudz atšķirties no iestatītā augstuma.

PIEZĪME: Lai noregulētu nepieciešamo augstumu, zāles pļaušanu izmēģiniet mazāk redzamā vietā.

Zāles līmeņa indikators

► **Att.21:** 1. Zāles līmeņa indikators

Zāles līmeņa indikators rāda nopļautās zāles daudzumu.

- Ja zāles grozs nav pilns, indikators pļaušanas laikā pārvietojas.
- Ja zāles grozs ir pilns, indikators pļaušanas laikā nepārvietojas. Šādā gadījumā nekavējoties pārtrauciet pļaut un iztukšojiet grozu. Pēc groza iztukšošanas to iztīriet, lai tā siets laistu cauri gaisu.

PIEZĪME: Šā indikatora rādījums ir aptuveni. Groza iekšpuses stāvokļa dēļ indikators var nedarboties pareizi.

Mulčēšanas spraudņa lietošana

Papildpiederumi

Mulčēšanas spraudnis ļauj atgriezt nopļauto zāli zemē, nesavācot to zāles grozā. Darbinot ierīci, kurai ir uzstādīts mulčēšanas spraudnis, noteikti noņemiet zāles grozu.

IEVĒRĪBAI: Lietojot ierīci, kurai ir uzstādīts mulčēšanas spraudnis, pārliecinieties, ka zāles garums ir vismaz 30 mm vai arī nogriezās zāles garums ir 15 mm un mazāks.

► **Att.22:** (1) 30 mm un vairāk (2) 15 mm un mazāk

EKSPLUATĀCIJA

Pļaušana

▲BRĪDINĀJUMS: Pirms pļaušanas no pļaušanas vietas aizvāciet žagarus un akmeņus. Pļaušanas vietu attīriet arī no nezālēm.

▲BRĪDINĀJUMS: Lietojot pļaujmašīnu, vienmēr valkājiet aizsargbrilles vai brilles ar sānu aizsargiem.

▲UZMANĪBU: Ja nopļautā zāle vai svešķermeņi nobloķē pļaujmašīnas korpusa iekšpusi, izņemiet atslēgu un akumulatora kasetni, un noteikti uzvelciet cimdus, pirms noņemat zāli vai svešķermeņus.

IEVĒRĪBAI: Lietojiet šo ierīci tikai zāles pļaušanai. Nepļaujiet ar šo ierīci nezāles.

► **Att.23**

Pļaujot cieši ar abām rokām turiet zāles pļaujmašīnas rokturi.

Pļaušanas standarta ātrums ir aptuveni 1 metrs 4 sekundēs.

► **Att.24**

Priekšējo riteņu ārējās malas norāda pļaušanas platumu. Izmantojot priekšējo riteņu ārējās malas kā norādes, pļaujiet zāli joslās. Lai zālienu nopļauto līdzeni, pļaušanas joslai par vienu pusi vai trešdaļu jāpārkļājas ar iepriekšējo joslu.

► **Att.25:** 1. Pļaušanas platums 2. Pārklāšanās zona 3. Ārējā mala

Pļaušanas virzienu katru reizi mainiet, lai zāles plūvuma raksts neveidotos tikai vienā virzienā.

► **Att.26**

Periodiski pārbaudiet zāles groza saturu. Iztukšojiet grozu, pirms tas ir pilns. Pirms regulāras pārbaudes apturiet pļaujmašīnu, tad izņemiet bloķēšanas atslēgu un akumulatora kasetni.

IEVĒRĪBAI: Izmantojot pļaujmašīnu ar pilnu zāles grozu, asmeņi nevarēs brīvi griezties un motoram radīsies papildu slodze, kas var izraisīt bojājumus.

Pļaujot zālienu ar garu zāli

Nemēģiniet nopļaut garu zāli vienā paņēmienā. Labāk pļaujiet to vairākos piegājienos. Lai mauriņu nopļautu vienmērīgi īsi, pļaujiet ik pēc dienas vai divām.

PIEZĪME: Ja garu zāli vienā reizē nopļauj pavisam īsu, tā var iznīkt. Nopļautā zāle var iesprūst pļaujmašīnas korpusā.

Zāles groza iztukšošana

▲BRĪDINĀJUMS: Lai nepieļautu negadījumus, regulāri pārbaudiet, vai zāles grozs nav bojāts vai nodilis. Ja nepieciešams, nomainiet zāles grozu.

1. Atlaidiet slēdža sviru.
2. Izņemiet bloķēšanas atslēgu.
3. Atveriet aizmugurējo pārsegu un aiz roktura izņemiet zāles grozu.
▶ **Att.27:** 1. Aizmugurējais pārsegs 2. Rokturis
4. Iztukšojiet zāles grozu.

TEHNISKĀ APKOPE

▲BRĪDINĀJUMS: Vienmēr no pļaujmašīnas izņemiet atslēgu un akumulatora kasetni pirms pļaujmašīnas glabāšanas vai nešanas, vai pirms veicat pārbaudes vai apkopes darbus.

▲BRĪDINĀJUMS: Ja pļaujmašīnu nelietojat, vienmēr izņemiet bloķēšanas atslēgu. Bloķēšanas atslēgu glabājiet drošā, bērniem neaizsniežamā vietā.

▲BRĪDINĀJUMS: Veicot pārbaudi vai apkopi, valkājiet cimdus.

▲BRĪDINĀJUMS: Veicot pļaujmašīnas apkopes vai pārbaudes darbus, vienmēr valkājiet aizsargbrilles vai brilles ar sānu aizsargiem.

IEVĒRĪBAI: Nekad neizmantojiet gazolinu, benzīnu, atšķaidītāju, spirtu vai līdzīgus šķidrumus. Tas var radīt izbalēšanu, deformāciju vai plaisas.

Lai saglabātu izstrādājuma DROŠU un UZTICAMU darbību, remontdarbus, apkopi un regulēšanu uzticiet veikt tikai Makita pilnvarotam vai rūpnīcas apkopes centram, un vienmēr izmantojiet tikai Makita rezerves daļas.

Apkope

1. Izņemiet bloķēšanas atslēgu. Glabājiet to drošā, bērniem neaizsniežamā vietā.
2. Pļaujmašīnu tīriet tikai ar mitru drānu. Tīrīšanas laikā nesmidziniet un neļieiet uz pļaujmašīnas ūdeni.
3. Pļaujmašīnu nolieciet uz sāniem un iztīriet atgriezumus, kas uzkrājušies pļaujmašīnas apakšā.
4. Pārbaudiet, vai uzgriežņi, bultskrūves, regulatori, skrūves, aizslēgi u.c. pievilkti cieši.
5. Pārbaudiet, vai kustīgās daļas nav bojātas, salūzušas vai nodilušas. Bojātās vai trūkstošās daļas jāremontē vai jāaizvieto.

Glabāšana

▲BRĪDINĀJUMS: Kad pļaujmašīnu pārnesat vai novietojat glabātavā, turiet to nevis aiz salokāmā roktura, bet gan priekšējā roktura. Turot aiz salokāmajiem rokturiem, var gūt smagas traumas vai sabojāt pļaujmašīnu.

Pirms pļaujmašīnas uzglabāšanas izņemiet no tās akumulatora kasetni un bloķēšanas atslēgu. Uzglabājiet pļaujmašīnu iekštelpās vēsā, sausā un slēgtā vietā. Neuzglabājiet pļaujmašīnu un lādētāju vietās, kur temperatūra var sasniegt vai pārsniegt 40 °C.

▶ **Att.28:** 1. Priekšējais rokturis 2. Aizmugurējais rokturis

1. Atlaidiet saspiedēja skrūves un izvērsiet apakšējo rokturi uz abām pusēm. Rokturi nolaidiet uz priekšu. Tajā pašā laikā stingri turiet apakšējo rokturi, lai tas nenokrītu pļaujmašīnas korpusa tālākajā pusē.

▶ **Att.29:** 1. Saspiedēja skrūve 2. Apakšējais rokturis

2. Atlaidiet stiprinājuma uzgriežņus un pagrieziet augšējo rokturi atpakaļ, vienlaikus izvēršot abas puses.

▶ **Att.30:** 1. Stiprinājuma uzgriežnis 2. Augšējais rokturis

3. Zāles grozu glabājiet starp rokturi un pļaujmašīnas korpusu.

▶ **Att.31:** 1. Zāles grozs

PIEZĪME: Novietojot pļaujmašīnu vertikālā stāvoklī, neturiet rokturi, bet izmantojiet pļaujmašīnas priekšējo rokturi.

Pļaujmašīnas asmens noņemšana vai uzstādīšana

▲BRĪDINĀJUMS: Uzstādot vai noņemot asmeni, vienmēr izņemiet bloķēšanas atslēgu un akumulatora kasetni. Neizņemot bloķēšanas atslēgu un akumulatora kasetni, var gūt smagas traumas.

▲BRĪDINĀJUMS: Asmens pēc slēdža atlaišanas turpina kustēties pēc inerces. Neveiciet nekādas darbības, kamēr asmens nav pilnībā apstājies.

▲BRĪDINĀJUMS: Rīkojoties ar asmeni, vienmēr valkājiet cimdus.

Pļaujmašīnas asmens noņemšana

Paredzēts modelim DLM382

1. Pļaujmašīnu novietojiet uz sāniem tā, lai pļaušanas augstuma regulēšanas svira atrastos augšpusē.
2. Lai bloķētu asmens rotāciju, pļaujmašīnas korpusa atverē ievietojiet skrūvgriezi vai līdzīgu priekšmetu.
3. Ar uzgriežņu atslēgu grieziet skrūvi pretēji pulksteņrādītāju kustības virzienam.
▶ **Att.32:** 1. Pļaujmašīnas asmens 2. Skrūvgriezis 3. Uzgriežņu atslēga
4. Noņemiet bultskrūvi un asmeni norādītajā secībā.
▶ **Att.33:** 1. Asmens stiprinājums 2. Pļaujmašīnas asmens 3. Bultskrūve

Paredzēts modelim DLM432

1. Pļaujmašīnu novietojiet uz sāniem tā, lai pļaušanas augstuma regulēšanas svira atrastos augšpusē.
2. Lai bloķētu asmens rotāciju, pļaujmašīnas korpusa atverē ievietojiet skrūvgriezi vai līdzīgu priekšmetu.
3. Ar uzgriežņu atslēgu grieziet skrūvi pretēji pulksteņrādītāju kustības virzienam.
▶ **Att.34:** 1. Pļaujmašīnas asmens 2. Skrūvgriezis 3. Uzgriežņu atslēga
4. Secīgi izskrūvējiet skrūvi, noņemiet ārējo atloku, pļaujmašīnas asmeni un iekšējo atloku.
▶ **Att.35:** 1. Iekšējais atloks 2. Pļaujmašīnas asmens 3. Ārējais atloks 4. Skrūve

Pļaujmašīnas asmens uzstādīšana

Lai uzstādītu pļaujmašīnas asmeni, noņemšanas darbības izpildiet pretējā secībā.

▲BRĪDINĀJUMS: Uzmanīgi uzstādiet pļaujmašīnas asmeni. Tam ir augšējā/apakšējā virsma. Novietojiet asmeni tā, lai griešanās virziena bulta būtu vērstā uz ārpusi.

▲BRĪDINĀJUMS: Lai asmeni nostiprinātu, skrūvi pievelciet pulksteņrādītāju kustības virzienā.

▲BRĪDINĀJUMS: Pārliecinieties, ka pļaujmašīnas asmens un visas fiksējošās daļas ir pareizi uzstādītas un cieši pievilktas.

▲BRĪDINĀJUMS: Nomainot asmeņus, vienmēr izpildiet norādījumus šajā rokasgrāmatā.

PROBLĒMU NOVĒRŠANA

Pirms nodošanas remontā vispirms veiciet pārbaudi pats. Ja konstatējat kļūmi, kas nav aprakstīta rokasgrāmatā, nemēģiniet darbarīku izjaukt. Dodieties uz Makita pilnvarotu apkopes centru un remontam vienmēr izmantojiet tikai Makita rezerves daļas.

| Neatbilstošas darbības stāvoklis | Iespējama iemesls (kļūme) | Risinājums |
|--|---|---|
| Pļaujmašīna nesāk darboties. | Nav uzstādītas divas akumulatora kasetnes. | Uzstādiet uzlādētas akumulatora kasetnes. |
| | Akumulatora kļūme (zems spriegums) | Uzlādējiet akumulatora kasetni. Ja uzlāde nav veiksmīga, nomainiet akumulatora kasetni. |
| | Nav ievietota bloķēšanas atslēga. | Ievietojiet bloķēšanas atslēgu. |
| Motors izslēdzas pēc neilgas darbināšanas. | Akumulatora uzlādes līmenis ir par zemu. | Uzlādējiet akumulatora kasetni. Ja uzlāde nav veiksmīga, nomainiet akumulatora kasetni. |
| | Griešanas augstums ir par mazu. | Palieliniet griešanas augstumu. |
| Motors nesasniedz maksimālo apgriezumu skaitu minūtē. | Akumulatora kasetne nav uzstādīta pareizi. | Akumulatora kasetni uzstādiet pēc norādījumiem šajā rokasgrāmatā. |
| | Samazinās akumulatora jauda. | Uzlādējiet akumulatora kasetni. Ja uzlāde nav veiksmīga, nomainiet akumulatora kasetni. |
| | Piedziņas sistēma nedarbojas pareizi. | Ierīci aizgādājiet uz remontu vietējā pilnvarotā apkopes centrā. |
| Pļaujmašīnas asmens negriežas: ⇒ nekavējoties apturiet pļaujmašīnu! | Pie asmens iespūdis kāds svešķermenis, piemēram, zars. | Izņemiet svešķermeni. |
| | Piedziņas sistēma nedarbojas pareizi. | Ierīci aizgādājiet uz remontu vietējā pilnvarotā apkopes centrā. |
| Pārmērīga vibrācija: ⇒ nekavējoties apturiet pļaujmašīnu! | Asmens nav nolīmeņots, ir pārmērīgi vai nevienmērīgi nodilis. | Nomainiet asmeni. |

PAPILDU PIEDERUMI

▲UZMANĪBU: Šādi piederumi un papildierīces tiek ieteiktas lietošanai ar šajā rokasgrāmatā aprakstīto Makita darbarīku. Izmantojot citus piederumus vai papildierīces, var tikt radīta traumu gūšanas bīstamība. Piederumu vai papildierīci izmantojiet tikai paredzētajam mērķim.

Ja jums vajadzīga palīdzība vai precīzāka informācija par šiem piederumiem, vērsieties savā tuvākajā Makita apkopes centrā.

- Pļaujmašīnas asmens
- Mulčēšanas spraudnis
- Makita oriģinālais akumulators un lādētājs

PIEZĪME: Daži sarakstā norādītie izstrādājumi var būt iekļauti instrumenta komplektācijā kā standarta piederumi. Tie dažādās valstīs var būt atšķirīgi.

SPECIFIKACIJOS

| Modelis: | | DLM382 | DLM432 |
|--|---|--|---|
| Pjovimo plotis (peilio skersmuo) | | 380 mm | 430 mm |
| Be apkrovos | | 3 700 min ⁻¹ | 3 600 min ⁻¹ |
| Pakaitinio vejjaprovės peilio dalies numeris | | 191D41-2 | 191D43-8 |
| Matmenys (l x P x A) | dirbant | L: Nuo 1 380 mm iki 1 410 mm W: 450 mm H: 985 - 1 005 mm | l: nuo 1 435 mm iki 1 490 mm P: 460 mm A: nuo 1 005 mm iki 1 045 mm |
| | Laikant (be žolės surinkimo krepšio) | 860 mm x 450 mm x 475 mm | 865 mm x 460 mm x 475 mm |
| Nominali įtampa | | Nuol. sr. 36 V | |
| Grynavis svoris | | 16,2 - 16,9kg | 16,8 - 17,5kg |

- Atlikame tęstinius tyrimus ir nuolatos tobuliname savo gaminius, todėl čia pateikiamos specifikacijos gali būti keičiamos be įspėjimo.
- Skirtingose šalyse specifikacijos gali skirtis.
- Svoris gali priklausyti nuo priedo (-ų), įskaitant akumulatoriaus kasetę. Lengviausias ir sunkiausias deriniai pagal EPTA 2014 m. sausio mėn. procedūrą yra parodyti lentelėje.

Tinkama akumulatoriaus kasetė








BL1815N / BL1820 / BL1820B / BL1830 / BL1830B / BL1840 / BL1840B / BL1850 / BL1850B / BL1860B

- Atsižvelgiant į gyvenamosios vietos regioną, kai kurios pirmiau nurodytos akumulatoriaus kasetės gali būti neprieinamos.

⚠️ ĮSPĖJIMAS: Naudokite tik akumulatoriaus kasetes, kurios nurodytos anksčiau. Naudojant bet kurias kitas akumulatoriaus kasetes, gali kilti sužeidimo ir gaisro pavojus.

Simboliai

Toliau yra nurodyti įrangai naudojami simboliai. Prieš naudodami įsitikinkite, ar suprantate jų reikšmę.

| | |
|--|--|
|  | Būkite itin atsargūs ir dėmesingi. |
|  | Perskaitykite instrukcijų vadovą. |
|  | Pavojus; saugokitės skriejančių objektų. |
|  | Tarp įrankio ir šalia esančių žmonių turi būti bent 15 m atstumas. |
|  | Laikykite rankas ir pėdas atokiai nuo vejjaprovės apačioje esančių peilių. Išjungus variklį, peiliai dar kurį laiką sukasi. |
|  | Prieš atlikdami tikrinimo, reguliavimo, valymo ir techninės priežiūros darbus, taip pat prieš palikdami vejjaprovę be priežiūros ir pastatydami ją į saugojimo vietą, ištraukite spynos raktą. |
|  | Taikoma tik ES šalims Neišmeskite elektros įrangos arba akumulatoriaus bloko į buitinius šiukšlynus! Atsižvelgiant į ES direktyvas dėl elektros ir elektroninės įrangos atliekų, dėl baterijų ir akumuliatorių bei baterijų ir akumuliatorių atliekų ir šių direktyvų siekių įgyvendinimą pagal nacionalinius įstatymus, elektros įrangos ir baterijų bei akumuliatorių atliekas būtina surinkti atskirai nuo kitų buitinių atliekų ir atiduoti į antrinių žaliavų perdirbimo aplinkai nekenksmingu būdu punktą. |

Numatytoji naudojimo paskirtis

Įrenginys skirtas tik vejai pjauti.

Triukšmas

Įprastas triukšmo A lygis, nustatytas pagal EN60335-2-77:

Modelis DLM382

Garso slėgio lygis (L_{pA}): 81 dB (A)

Garso galios lygis (L_{WA}): 91 dB (A)

Paklaida (K): 3 dB (A)

Modelis DLM432

Garso slėgio lygis (L_{pA}): 81 dB (A)

Garso galios lygis (L_{WA}): 92 dB (A)

Paklaida (K): 3 dB (A)

PASTABA: Paskelbta (-os) triukšmo reikšmė (-ės) nustatyta (-os) pagal standartinį testavimo metodą ir ji galima naudoti vienam įrankiui palyginti su kitu.

PASTABA: Paskelbta (-os) triukšmo reikšmė (-ės) taip pat gali būti naudojama (-os) norint preliminarai įvertinti triukšmo poveikį.

⚠️ ĮSPĖJIMAS: Dėvėkite ausų apsaugą.

⚠️ ĮSPĖJIMAS: Faktiškai naudojant elektrinį įrankį, keliamo triukšmo dydis gali skirtis nuo paskelbto (-ų) reikšmės (-ių), priklausomai nuo būdų, kuriais yra naudojamas šis įrankis, ir ypač nuo to, kokio tipo ruošinys apdirbamas.

⚠️ ĮSPĖJIMAS: Siekdami apsaugoti operatorių, būtina įvertinkite saugos priemones, remdamiesi vibracijos poveikio įvertinimu esant faktinėms naudojimo sąlygoms (atsižvelgdami į visą darbo ciklo dalis, pavyzdžiui, ne tik kiek laiko įrankis veikia, bet ir kiek kartų jis yra išjungiamas bei kai jis veikia be apkrovų).

Vibracija

Vibracijos bendroji vertė (trიაšio vektorius suma) nustatyta pagal EN60335-2-77 standartą:

Modelis DLM382

Vibracijos emisija (a_h): 2,5 m/s² arba mažiau
Paklaida (K): 2,0 m/s²

Modelis DLM432

Vibracijos emisija (a_h): 2,5 m/s² arba mažiau
Paklaida (K): 1,5 m/s²

PASTABA: Paskelbta (-os) vibracijos bendroji (-osios) reikšmė (-ės) nustatyta (-os) pagal standartinį testavimo metodą ir ji galima naudoti vienam įrankiui palyginti su kitu.

PASTABA: Paskelbta (-os) vibracijos bendroji (-osios) reikšmė (-ės) taip pat gali būti naudojama (-os) norint preliminariai įvertinti vibracijos poveikį.

⚠️ ĮSPĖJIMAS: Faktiškai naudojant elektrinį įrankį, keliamos vibracijos dydis gali skirtis nuo paskelbtos (-ų) reikšmės (-ių), priklausomai nuo būdų, kuriais yra naudojamas šis įrankis, ir ypač nuo to, kokio tipo ruošinys apdirbamas.

⚠️ ĮSPĖJIMAS: Siekdami apsaugoti operatorių, būtina įvertinkite saugos priemones, remdami vibracijos poveikio įvertinimu esant faktinėms naudojimo sąlygoms (atsižvelgdami į visas darbo ciklo dalis, pavyzdžiui, ne tik kiek laiko įrankis veikia, bet ir kiek kartų jis yra išjungiamas bei kai jis veikia be apkrovų).

EB atitikties deklaracija

Tik Europos šalims

EB atitikties deklaracija yra pridedama kaip šio instrukcijų vadovo A priedas.

SAUGOS ĮSPĖJIMAI

SVARBIOS SAUGOS INSTRUKCIJOS

⚠️ ĮSPĖJIMAS: Perskaitykite visus saugos įspėjimus ir visą instrukciją. Nesilaikydami toliau pateiktų įspėjimų ir instrukcijų galite patirti elektros smūgį, gaisrą ir (arba) sunkų sužeidimą.

Įsisaugokite visus įspėjimus ir instrukcijas, kad galėtumėte jas peržiūrėti ateityje.

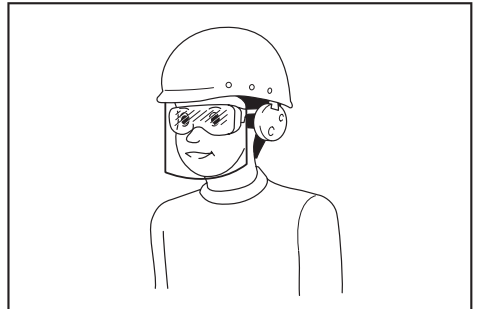
Mokymas

1. Atidžiai perskaitykite šią instrukciją. Nuodugnai susipažinkite su valdikliais ir išsiaiškinkite, kaip tinkamai naudoti vejąplovę.
2. Niekuomet neleiskite vejąplovės naudoti vaikams arba su šia instrukcija nesupažinusiems žmonėms. Operatoriaus amžius gali būti reglamentuojamas vietinių įstatymų.
3. Niekuomet nenaudokite vejąplovės, jei netoliese yra žmonių, ypač vaikų ar naminių gyvūnų.

4. Atminkite, kad operatorius yra atsakingas už nelaimingus atsitikimus ar nelaimes, atsitikusias kitiems žmonėms, arba jų turtui padarytą žalą.
5. Būtina prižiūrėti vaikus, kad jie nežaistų su vejąplove.
6. Fizinės sąlygos – nenaudokite vejąplovės, jeigu esate apsvaigę nuo alkoholio, narkotikų arba kokių nors vaistų.

Pasiruošimas

1. Naudodami vejąplovę, visuomet avėkite tvirtą avalynę ir mūvėkite ilgus kelnes. Niekuomet nedirbkite vejąplove, jeigu esate basi arba avite atvirus sandalus. Nedėvėkite laisvų drabužių ir kabančių papuošalų, nesurištų virvelių arba kaklaraiščių. Juos gali įtraukti judančios dalys.
2. Prieš naudodami vejąplovę, visuomet apžiūrėkite, ar ji nepažeista, ar netrūksta apsauginių įtaisų ir skydų, ar jie tinkamai uždėti.
3. Prieš padėdami pjauti žolę, įsitinkinkite, ar toje vietoje nėra kitų žmonių. Išjunkite vejąplovę, jeigu į darbo vietą kas nors ateina.
4. Nekiškite blokavimo raktelio į vejąplovę, kol ji nebus paruošta naudoti.
5. Visada naudodami elektrinius įrankius užsidėkite apsauginius akinius, kad apsaugotumėte savo akis nuo sužalojimų. Akiniai turi atitikti ANSI Z87.1 reikalavimus JAV, EN 166 reikalavimus Europoje arba AS/NZS 1336 reikalavimus Australijoje / Naujojoje Zelandijoje. Australijoje / Naujojoje Zelandijoje taip pat teisiškai privaloma naudoti veido skydelį.



Darbdavys privalo užtikrinti, kad įrankio operatoriai ir kiti šalia jo darbo vietos esantys asmenys naudotų tinkamas apsaugos priemones.

6. Prieš naudodami patikrinkite peilius arba peilių varžtus, ar nėra įtrūkimų ar pažeidimų. Nedelsdami pakeiskite įtrūkusius arba pažeistuos peilius arba peilių varžtus.
7. Prieš pradėdami pjauti žolę, surinkite nuo vejos pašalinius daiktus, pavyzdžiui, akmenis, laidus, butelius, kaulus ir dideles šakas, kad nesusižeistumėte ir nesugadintumėte vejąplovės.
8. Vejąplovės peilio užkliudyti objektai gali sunkiai sužaloti. Prieš kiekvieną vejos pjovimą, veją visada reikia atidžiai apžiūrėti ir surinkti nuo jos visus daiktus.
9. Saugokitės duobių, prožėvų, nelygumų, akmenų ir kitų vos matomų objektų. Nelygioje vietoje galima paslysti ir nukristi. Aukšta žolė gali slėpti kliūtis.

Naudojimas

1. Nepersisverkite. Visuomet išlaikykite pusiausvyrą. Dirbdami nuokalnėse, visada tvirtai stovėkite. Vaikščiokite, o ne bėgiokite.
2. Išjunkite vejąpovę, ištraukite blokavimo raktelį ir įsitinkinkite, kad visos judamosios dalys visiškai sustojo:
 - kai paliekate vejąpovę be priežiūros,
 - prieš pradėdami valyti užsikimšimus arba prieš atkimšdami išmetimo lataką,
 - prieš tikrindami, valydami arba dirbdami vejąpovę,
 - užkliudę pašalinį objektą. Prieš vėl įjungdami vejąpovę ir pradėdami dirbti, apžiūrėkite, ar nėra gedimų, ir juos pašalinkite;
 - jeigu vejąpovę pradeda neįprastai vibruoti.
3. Niekada nenaudokite vejąpovės su pažeistais apsauginiais skydais arba gaubtais ar be tinkamai sumontuotų saugos įtaisų, pavyzdžiui, krepituvų ir (arba) žolės surinkimo krepšio.
4. Vejąpovės nenaudokite esant blogam orui ir ypač tada, kai gali žaibuoti.
5. Naudodami vejąpovę, visuomet dėvėkite akių apsaugos priemones ir avėkite tvirtus batus.
6. Vejąpovę naudokite tik dienos metu arba esant geram dirbtiniam apšvietimui.
7. Atsargiai įjunkite vejąpovę, kaip nurodyta instrukcijoje; pėdos turi būti pakankamu atstumu nuo peilio (-ių).
8. Saugokitės, kad vejąpovės peilis nesužeistų kojų ir rankų.
9. Ventilacijos angos visą laiką turi būti atviros ir švarios.
10. Pjaukite žolę, važiuodami nuokalnėmis aukštyr ir žemyn, o ne skersai. Keisdami kryptis nuokalnėse, būkite itin atsargūs. Nepjaukite žolės pernelyg stačiose nuokalnėse.
11. Būkite itin atsargūs, važiuodami atbuline eiga arba traukdami vejąpovę savęs link.
12. Sustabdykite peilį (-ius), jeigu vejąpovę reikia paversti, kad ją galima būtų perkelti per žolę neapaugusius paviršius, ir gabendami vejąpovę iš vietos, kurioje ji buvo naudojama, ir į tą vietą, kurioje ji bus naudojama.
13. Paleisdami variklį, vejąpovės nepakreipkite, išskyrus tą atvejį, jeigu vejąpovę reikia pakreipti, kad ją būtų galima paleisti. Tokiu atveju pakreipkite ją tik tiek, kiek tai visiškai būtina, ir kelkite tik tą dalį, kuri yra nukreipta tolyn nuo operatoriaus. Prieš nuleisdami vejąpovę ant žemės, visada užtikrinkite, kad abi rankos būtų darbinėje padėtyje.
14. Nekiškite rankų ar kojų artyn prie besisukančių dalių arba po jomis. Visada stovėkite atokiai nuo išmetimo angos.
15. Negabenkite veikiančios vejąpovės.
16. Vejąpovę nepjaukite šlapios žolės.
17. Niekuomet nenaudokite vejąpovės lietai lyjant.
18. Visada tvirtai laikykite rankeną.
19. Paimdami arba laikydami vejąpovę, neimkite už atvirų pjovimo peilių arba pjovimo briaunų.
20. Laikykite pėdas ir rankas atokiai nuo besisukančių peilių. Dėmesio – išjungus vejąpovę, pjovimo peiliai dar sukasi iš inercijos.
21. Pastebėję ką nors neįprasto, tučiuojau nutraukite darbą. Išjunkite vejąpovę ir ištraukite blokavimo raktelį. Tada apžiūrėkite vejąpovę.
22. Nereguliuokite pjovimo aukščio, kai vejąpovė veikia, jei vejąpovė turi pjovimo aukščio reguliavimo funkciją.
23. Prieš kirsdami kelius, takus, vieškelius ir bet kokias žvyru padengtas vietas, atleiskite svirtinį jungiklį ir palaukite, kol peiliai nebesisuks. Taip pat ištraukite blokavimo raktelį, jeigu vejąpovę paliekate be priežiūros, jeigu siekiate kažką pakelti arba patraukti iš kelio, arba dėl bet kokios kitos priežasties, kuri gali atitraukti jus nuo atliekamo darbo.
24. Jeigu vejąpovė užkliudo pašalinį objektą, atlikite šiuos veiksmus:
 - Išjunkite vejąpovę, atleiskite svirtinį jungiklį ir palaukite, kol peilis visiškai sustos.
 - Ištraukite blokavimo raktelį ir išimkite akumuliatoriaus kasetę.
 - Apžiūrėkite vejąpovę, ar ji neapgadinta.
 - Pakeiskite peilį, jeigu jis kaip nors apgadintas. Prieš užvesdami ir toliau naudodami vejąpovę, pašalinkite bet kokius gedimus.
25. Neužveskite vejąpovės variklio, stovėdami priešais išmetimo angą.
26. Jeigu vejąpovė pradeda neįprastai vibruoti, nedelsdami
 - patikrinkite, ar nėra gedimo;
 - pakeiskite arba pataisykite bet kurias sugadintas dalis;
 - patikrinkite ir priveržkite visas atsilaisvinusias dalis.
27. Išmetamos medžiagos niekuomet nenukreipkite į kitus žmones. Venkite medžiagos išmetimo link sienos ar kliūtis. Medžiaga gali atšokti link operatoriaus. Kirsdami žvyruotus paviršius, sustabdykite peilį.
28. Vejąpovės netraukite atgal, nebent tai būtų būtina. Kai vejąpovę tenka atitraukti nuo tvoros ar kitos panašios kliūtis ir prieš eidami atbulomis, pasižiūrėkite žemyn ir atgal.
29. Prieš nuimdami žolės gaudyklę, išjunkite variklį ir palaukite, kol peilis visiškai nustos sukintis. Turėkite omenyje, kad išjungus vejąpovę, peiliai dar sukasi iš inercijos.

Techninė priežiūra ir saugojimas

1. Saugumo sumetimais pakeiskite nusidėvėjusias arba sugadintas dalis. Prirėikus priedų arba atsarginių dalių, naudokite tik originalias dalis.
2. Vejąpovę reguliariai apžiūrėkite ir sutvarkykite.
3. Nenaudojamą vejąpovę laikykite vaikams nepasiekiamoje vietoje.
4. Visos varžlės, varžtai ir sraigta turi būti tvirtai prisukti, kad būtų užtikrintos saugios įrenginio darbo sąlygos.
5. Dažnai tikrinkite, ar žolės surinkimo krepšys nesusidėvėjęs ir yra tinkamos būklės. Prieš pastatydami įrenginį, būtina ištuštinti žolės surinkimo krepšį. Norėdami užtikrinti saugą, nusidėvėjusį žolės surinkimo krepšį pakeiskite nauju originaliu atsarginiu krepšiu.
6. Naudokite tik šioje instrukcijoje nurodytus originalius peilius.
7. Reguluodami vejąpovę būkite atsargūs, kad pirštų neįtrauktų judantys peiliai ir nejudančios jos dalys.

8. Neplaukite įrenginio vandens žarna; stenkitės, kad į variklį ir ant elektrinių jungčių nepatektų vandens.
9. Dažnai tikrinkite, ar tinkamai priveržti peilių montavimo varžtai.
10. Prieš pastatydami vejąpovę į saugojimo vietą, palaukite, kol ji visiškai atvės.
11. Prieš pradėdami peilių techninės priežiūros darbus, nepamirškite, kad nors maitinimo šaltinis yra išjungtas, peiliai vis tiek gali sukurti.
12. Niekuomet nenuimkite ir negadinkite apsaugos įtaisų. Reguliariai tikrinkite, ar jie gerai veikia. Nedarykite nieko, kas apsauginiam įtaisui trukdytų atlikti jo funkciją ar sumažintų jo suteikiamą apsaugą.

Akumulatorinio įrankio naudojimas ir priežiūra

1. Įkraukite naudodami tik gamintojo nurodytą įkroviklį. Įkroviklis, kuris tinka vienam akumuliatorių tipui įkrauti, gali kelti gaisro pavojų, jei bus naudojamas su kitų tipų akumuliatoriais.
2. Elektrinius įrankius naudokite tik su specialiai jiems skirtais akumuliatoriais. Naudojant bet kurį kitą akumuliatorių gali kilti sužeidimo ir gaisro pavojus.
3. Kai akumuliatorius nėra naudojamas, laikykite jį toliau nuo kitų metalinių daiktų, pavyzdžiui, popieriaus sąvaržėlių, monetų, raktų, vinių, varžtų ir kitų mažų metalinių daiktų, dėl kurių gali kilti trumpasis jungimas tarp kontaktų. Akumuliatorių kontaktų trumpasis jungimas gali būti nudegimų arba gaisro priežastimi.
4. Netinkamai naudojant iš akumuliatoriaus gali ištekėti skystis. Venkite sąlyčio su juo. Jei sąlytis atsitiktinai įvyko, gausiai nuplaukite vandeniu. Jei skystis pateko į akis, kreipkitės į gydytoją. Iš akumuliatoriaus išbėgęs skystis gali sudirginti arba nudeginti odą.
5. Nenaudokite sugadinto ar modifikuoto akumuliatoriaus arba įrankio. Sugadinti arba modifikuoti akumuliatoriai gali veikti neįprastai, todėl gali kilti gaisras, sprogimas arba sužalojimo rizika.
6. Saugokite akumuliatorių arba įrankį nuo ugnies ar pernelyg aukštos temperatūros. Dėl ugnies ar 130 °C viršijančios temperatūros gali kilti sprogimas.
7. Laikykitės visų įkrovimo nurodymų ir nekraukite akumuliatoriaus ar įrankio, kai temperatūra neatitinka nurodymuose pateiktą temperatūros intervalo. Netinkamai įkraunant arba įkraunant esant kitam nei nustatytas temperatūros intervalui, gali būti sugadintas akumuliatorius ar padidėti gaisro rizika.

Elektras ir akumuliatoriaus sauga

1. Nemeskite akumuliatoriaus (-ių) į ugnį. Akumuliatoriaus elementas gali sprogti. Pasitikrinkite, ar vietiniai įstatymai nenurodo specialaus išmetimo būdo.
2. Neatidarykite ir neardykite akumuliatoriaus (-ių). Ištekėjęs elektrolitas yra šėdinančioji medžiaga, kuri gali pažeisti akis ar odą. Nurytas jis gali apnuodyti.
3. Nenaudokite akumuliatoriaus lyjant arba drėgnose vietose.
4. Nekraukite akumuliatoriaus lauke.
5. Neimkite įkroviklio, įskaitant įkroviklio kištuką ir gnybtus, drėgnomis rankomis.

Techninė priežiūra

1. Tegu jūsų elektrinio įrankio techninę priežiūrą atlieka kvalifikuotas remonto meistras, naudodamas tik identiškas atsargines dalis. Tai užtikrina, kad elektrinis įrankis liks saugus naudoti.
2. Niekada neatlikite pažeistų akumuliatorių techninės priežiūros. Akumuliatorių techninę priežiūrą turi atlikti tik gamintojas arba įgaliotieji techninės priežiūros paslaugų teikėjai.

SAUGOKITE ŠIAS INSTRUKCIJAS.



ĮSPĖJIMAS: NELEISKITE, kad patogumas ir gaminio pažinimas (įgyjamas pakartotinai naudojant) susilpnintų griežtą saugos taisyklių, taikytinų šiam gaminiui, laikymąsi.

Dėl NETINKAMO NAUDOJIMO arba saugos taisyklių, kurios pateiktos šioje instrukcijoje, nesilaikymo galima rimtai susižeisti.

Svarbios saugos instrukcijos, taikomos akumuliatoriaus kasetei

1. Prieš naudodami akumuliatoriaus kasetę, perskaitykite visas instrukcijas ir perspėjimus ant (1) akumuliatorių įkroviklio, (2) akumuliatorių ir (3) akumuliatorių naudojančio gaminio.
 2. Neardykite akumuliatoriaus kasetės.
 3. Jei įrankio darbo laikas žymiai sutrumpėjo, nedelsdami nutraukite darbą su įrankiu. Tai gali kelti perkaitimą, nudegimų ar net sprogimo pavojų.
 4. Jei elektrolitas pateko į akis, plaukite jas tyru vandeniu ir nedelsdami kreipkitės į gydytoją. Gali kilti regėjimo praradimo pavojus.
 5. Neužtrumpinkite akumuliatoriaus kasetės:
 - (1) Nelieskite kontaktų degiomis medžiagomis.
 - (2) Venkite laikyti akumuliatoriaus kasetę kartu su kitais metaliniais daiktais, pavyzdžiui, vinimis, monetomis ir pan.
 - (3) Saugokite akumuliatoriaus kasetę nuo vandens ir lietaus.
- Trumpasis jungimas akumuliatoriuje gali sukelti stiprią srovę, perkaitimą, galimus nudegimus ar net akumuliatoriaus gedimą.
6. Nelaikykite įrankio ir akumuliatoriaus kasetės vietoje, kur temperatūra gali pasiekti ar viršyti 50 °C.
 7. Nedeginkite akumuliatoriaus kasetės, net jei yra stipriai pažeista ar visiškai susidėvėjusi. Ugnyje akumuliatoriaus kasetė gali sprogti.
 8. Saugokite akumuliatorių nuo kritimo ir smūgių.
 9. Nenaudokite pažeisto akumuliatoriaus.
 10. Įdėtos ličio jonų akumuliatoriams taikomi Pavojingų prekių teisės akto reikalavimai. Komeracinis transportas, pvz., trečiųjų šalių, prekių vežimo atstovų, turi laikytis specialaus reikalavimo ant pakuotės ir ženklavimo. Norėdami paruošti siųstiną prekę, pasitarkite su pavojingų medžiagų specialistu. Be to, laikykitės galimai išsamesnių nacionalinių reglamentų. Užklijuokite juosta arba padenkite atvirus kontaktus ir supakuokite akumuliatorių taip, kad ji pakuotėje nejudėtų.
 11. Kai išmetate akumuliatoriaus kasetę, išimkite ją iš įrankio ir išmeskite saugioje vietoje. Vadovaukitės vietos reglamentais dėl akumuliatorių išmetimo.

12. **Baterijas naudokite tik su „Makita“ nurodytais gaminiais.** Baterijas įdėjus į netinkamus gaminius gali kilti gaisras, gaminyje pernelyg kaisti, kilti sprogdimas arba pratekėti elektrolitas.
13. **Jei įrankis bus ilgą laiką nenaudojamas, akumuliatorių būtina išimti iš įrankio.**

SAUGOKITE ŠIAS INSTRUKCIJAS.

▲PERSPĖJIMAS: Naudokite tik originalų „Makita“ akumuliatorių. Neoriginalaus „Makita“ arba pakeisto akumuliatoriaus naudojimas gali nulemti gaisrą, asmenis sužalojimą ir pažeidimą. Tai taip pat panaikina „Makita“ suteikiamą „Makita“ įrankio ir įkroviklio garantiją.

Patarimai, ką daryti, kad akumuliatorius veiktų kuo ilgiau

1. **Pakraukite akumuliatoriaus kasetę prieš jai visiškai išsikraunant.** Visuomet nustokite naudoti įrankį ir pakraukite akumuliatoriaus kasetę, kai pastebite, kad įrankio galia sumažėjo.
2. **Niekada nekraukite iki galo įkrautos akumuliatoriaus kasetės.** Perkraunant trumpėja akumuliatoriaus eksploatacijos laikas.
3. **Akumuliatoriaus kasetę kraukite esant kambario temperatūrai 10 - 40 °C.** Prieš pradėdami krauti, leiskite įkaitusiai akumuliatoriaus kasetei atvėsti.
4. **Įkraukite akumuliatoriaus kasetę, jei jos nenaudojate ilgą laiką (ilgiau nei šešis mėnesius).**

SURINKIMAS

▲JSPĖJIMAS: Prieš pradėdami bet kokius vejąplovės techninės priežiūros, valymo arba reguliavimo darbus, visuomet būtinai ištraukite fiksavimo raktą ir išimkite akumuliatoriaus kasetę. Neištraukus fiksavimo rakto ir neišėmus akumuliatoriaus kasetės, galima sunkiai susižeisti dėl atsitiktinio įrenginio paleidimo.

▲JSPĖJIMAS: Niekada nepaleiskite vejąplovės, kol ji nėra visiškai surinkta. Naudojant iš dalies surinktą mašiną, ji gali netęčia pasileisti ir sunkiai sužeisti.

Akumuliatoriaus skyriaus dangtelio montavimas

▲JSPĖJIMAS: Neįkiškite blokavimo rakto ir akumuliatoriaus kasetės, kol nesumontuosite akumuliatoriaus skyriaus dangtelio. Nesilaikant šių nurodymų, kyla pavojus sunkiai susižeisti.

Prieš darbą visiškai uždarykite akumuliatoriaus skyriaus dangtelį. Akumuliatoriaus skyriaus dangtelis apsaugo vejąplovę ir akumuliatoriaus kasetę nuo purvo, nešvarumų ir vandens.

1. Akumuliatoriaus skyriaus dangtelį uždėkite taip, kad ant vejąplovės esančios iškyšos sutaptų su akumuliatoriaus dangtyje esančiomis skylutėmis.
- ▶ **Pav.1:** 1. Iškyša 2. Skylutė 3. Akumuliatoriaus skyriaus dangtelis

2. Dėkite rankas ant akumuliatoriaus skyriaus dangtelio vidurio ir paspauskite jį.

▶ **Pav.2**

3. Prieš naudodami pirmą kartą, patikrinkite, ar tinkamai pritvirtinta akumuliatoriaus skyriaus dangtelio sukimosi ašis. Jei akumuliatoriaus skyriaus dangtelis uždėtas tinkamai, jis atsidarys tik patraukus už akumuliatoriaus skyriaus dangtelio svirties.

▶ **Pav.3:** 1. Sukimosi ašis 2. Akumuliatoriaus skyriaus dangtelio svirtis

Rankenos montavimas

PASTABA: Montuodami rankenas, laidus nutieskite taip, kad niekas jų neįtrauktų tarp rankenų. Jei laidas pažeistas, vejąplovės jungiklis gali neveikti.

1. Abu apatinės rankenos galus stumkite į vejąplovės griovelius, tada visiškai priveržkite suveržimo varžtais.

▶ **Pav.4:** 1. Suveržimo varžtas 2. Apatinė rankena

2. Sulygiuokite viršutinės ir apatinės rankenų skylytes varžtams. Fiksuokite jas suveržimo varžtais ir veržlėmis.

▶ **Pav.5:** 1. Suveržimo veržlė 2. Suveržimo varžtas

PASTABA: Tvirtai laikykite už viršutinės rankenos, kad ji neiškristų jums iš rankos.

3. Pritvirtinkite laikiklius prie rankenos. Maitinimo tiekimo laidą nustatykite, kaip parodyta paveikslėlyje.

▶ **Pav.6:** 1. Laikiklis

Mulčiavimo kaiščio nuėmimas

Pasirenkamasis priedas

1. Atidarykite galinį dangtelį.

▶ **Pav.7:** 1. Galinis dangtelis

2. Mulčiavimo kaištį laikydami už rankenos, kaip parodyta paveikslėlyje, ištraukite iš vejąplovės korpuso.

▶ **Pav.8:** 1. Mulčiavimo kaištis 2. Rankena

Žolės surinkimo krepšio montavimas

1. Atidarykite galinį dangtelį.

▶ **Pav.9:** 1. Galinis dangtelis

2. Prikabinkite žolės krepšį ant vejąplovės strypo, kaip parodyta paveikslėlyje.

▶ **Pav.10:** 1. Kablys 2. Strypas 3. Žolės surinkimo krepšys

Mulčiavimo kaiščio uždėjimas

Pasirenkamasis priedas

1. Atidarykite galinį dangtelį ir išimkite žolės surinkimo krepšį.

▶ **Pav.11:** 1. Galinis dangtelis 2. Žolės surinkimo krepšys

2. Mulčiavimo kaištį laikydami už rankenos, kaip parodyta paveikslėlyje, uždėkite ant vejąplovės korpuso.

▶ **Pav.12:** 1. Mulčiavimo kaištis 2. Rankena

VEIKIMO APRAŠYMAS

Akumulatoriaus kasetės uždėjimas ir nuėmimas

▲PERSPĖJIMAS: Prieš įdėdami arba išimdami akumulatoriaus kasetę, visada išjunkite mašiną.

▲PERSPĖJIMAS: Prieš pradėdami naudoti, įsitikinkite, ar akumulatoriaus dangtelis užfiksuotas. Kitaip gali patekti purvo, nešvarumų arba vandens ir gamins arba akumulatoriaus kasetė gali sugesti.

▲PERSPĖJIMAS: Akumulatoriaus kasetę visada įkiškite iki galo, kol nebematysite raudono indikatorius. Kitaip ji gali atsitiktinai iškristi iš mašinos ir sužeisti jus arba aplinkinius žmones.

▲PERSPĖJIMAS: Neikiškite akumulatoriaus kasetės jėga. Jeigu kasetė sunkiai lenda, ją kišate netinkamai.

PASTABA: Mašina neveikia tik su viena akumulatoriaus kasete.

Norėdami įdėti akumulatoriaus kasetę;

1. Slinkite akumulatoriaus skyriaus dangtelio svirtį savęs link ir atidarykite akumulatoriaus skyriaus dangtelį.
► **Pav.13:** 1. Akumulatoriaus skyriaus dangtelis
2. Akumulatoriaus skyriaus dangtelio svirtis

2. Sulygiuokite akumulatoriaus kasetės liežuvėlį su groveliu ir įstumkite kasetę, kad ji spragtelėdama užsikisėtų.

► **Pav.14:** 1. Akumulatoriaus kasetė

3. Iki galo įkiškite fiksavimo raktą į paveikslėlyje parodytą vietą.

► **Pav.15:** 1. Fiksavimo raktas

4. Uždarykite akumulatoriaus skyriaus dangtelį ir spauskite jį tol, kol fiksavimo svirtis jį užsklęs.

Norėdami ištraukti akumulatoriaus kasetę iš vejapjovės;

1. Slinkite akumulatoriaus skyriaus dangtelio svirtį savęs link ir atidarykite akumulatoriaus skyriaus dangtelį.

2. Stumdami mygtuką, esantį kasetės priekyje, ištraukite akumulatoriaus kasetę iš vejapjovės.

3. Ištraukite fiksavimo raktą.

4. Uždenkite akumulatoriaus skyriaus dangtelį.

Mašinos / akumulatoriaus apsaugos sistema

Mašinoje įrengta mašinos / akumulatoriaus apsaugos sistema. Ši sistema automatiškai atjungia variklio maitinimą, kad įrankis ir akumulatorius ilgiau veiktų. Susidarius vienai iš toliau nurodytų mašinos arba akumulatoriaus darbo sąlygų, mašina darbo metu automatiškai išsijungs.

Apsauga nuo perkrovos

Kai mašina naudojama taip, kad neįprastai padidėja naudojama elektros srovė, mašina automatiškai sustoja be jokių indikacijų. Tokiu atveju išjunkite įrenginį ir nutraukite darbą, dėl kurio kilo perkrova. Tada vėl įjunkite įrenginį.

Apsauga nuo perkaitimo

Kai mašina perkaista, ji automatiškai sustoja. Palaukite, kol mašina atvės, prieš vėl ją įjungdami.

Apsauga nuo visiško išsikrovimo

Kai likusi akumulatoriaus galia tampa per maža, mašina automatiškai sustoja. Jeigu gaminyje neveikia net ir spaudžiant jungiklius, akumulatorius išimkite iš mašinos ir įkraukite.

Likusios akumulatoriaus galios rodymas

► **Pav.16:** 1. Akumulatoriaus indikatorius

Kai likusi akumulatoriaus galia tampa maža, atitinkamo akumulatoriaus pusėje pradeda žybcioti akumulatoriaus indikatorius. Toliau naudojant mašiną, ji išsijungia ir užsidega akumulatoriaus indikatorius, kuris šviečia maždaug 10 sekundžių. Tokiu atveju įkraukite akumulatoriaus kasetę.

Likusios akumulatoriaus galios rodymas

Tik akumulatoriaus kasetėms su indikatoriumi

► **Pav.17:** 1. Indikatorijų lemputės 2. Tikrinimo mygtukas

Paspauskite akumulatoriaus kasetės tikrinimo mygtuką, kad būtų rodoma likusi akumulatoriaus energija. Maždaug trims sekundėms užsidegs indikatorijų lemputės.

| Indikatorijų lemputės | | | Likusi galia |
|-----------------------|-----------|--------|---|
| Šviečia | Nešviečia | Blyksi | |
| | | | 75 - 100 % |
| | | | 50 - 75 % |
| | | | 25 - 50 % |
| | | | 0 - 25 % |
| | | | Įkraukite akumulatorių. |
| | | | Galimai įvyko akumulatoriaus veikimo triktis. |

PASTABA: Rodmuo gali šiek tiek skirtis nuo faktinės energijos lygio – tai priklauso nuo naudojimo sąlygų ir aplinkos temperatūros.

Jungiklio veikimas

▲ĮSPĖJIMAS: Prieš įdėdami akumulatoriaus kasetę, visada patikrinkite, ar svirtinis jungiklis veikia tinkamai ir atleistas sugrįžta į pradinę padėtį. Naudojant mašiną, kurios jungiklis netinkamai veikia, galima jos nesuvaldyti ir sunkiai susižaloti.

PASTABA: Nepaspaudus įjungimo mygtuko, vejaplovė nepasileidžia net ir patraukus už svirtinio jungiklio.

PASTABA: Vejaplovės variklis gali būti neužvestas dėl perkrovos, kai vienu metu pjaunate ilgai ar tankia žolę. Tokiu atveju padinkinkite pjovimo aukštį.

Šioje vejaplovėje įrengtas blokavimo jungiklis ir rankenos jungiklis. Jeigu pastebėtumėte, kad kuris nors iš šių jungiklių veikia neįprastai, tuoj pat nutraukite darbą ir pasirūpinkite, kad jie būtų patikrinti artimiausiame „Makita“ įgaliotajame techninės priežiūros centre.

1. Įdėkite akumulatoriaus kasetes. Įkiškite fiksavimo raktą į blokavimo jungiklį, tada uždenkite akumulatoriaus skyriaus gaubtą.

► **Pav.18:** 1. Akumulatoriaus kasetė 2. Fiksavimo raktas

2. Paspauskite mygtuką ir jį palaikykite.

3. Suimkite už viršutinės rankenos ir patraukite už svirtinio jungiklio.

► **Pav.19:** 1. Mygtukas 2. Svirtinis jungiklis

4. Kai tik variklis pasileidžia, įjungimo mygtuką atleiskite. Vejaplovė veiks, kol neatleisite svirtinio jungiklio.

5. Jeigu norite išjungti variklį, atleiskite svirtinį jungiklį.

Žolės pjovimo aukščio reguliavimas

ĮSPĖJIMAS: Reguluodami žolės pjovimo aukštį, niekada neikiškite rankų ar kojų po vejaplovės korpusu.

ĮSPĖJIMAS: Prieš pradėdami darbą, visada išitikinkite, ar svirtis tinkamai įtaisyta griovelyje.

Žolės pjovimo aukštį galima reguliuoti nuo 20 mm iki 75 mm.

1. Ištraukite fiksavimo raktą.

2. Patraukite žolės pjovimo aukščio reguliavimo svirtį vejaplovės korpuso išorės link ir nustatykite ją ties norimu žolės pjovimo aukščiu.

► **Pav.20:** 1. Žolės pjovimo aukščio reguliavimo svirtis

PASTABA: Žolės pjovimo aukščio paveikslėliai yra tik orientacinio pobūdžio. Atsižvelgiant į vejos ar žemės paviršiaus sąlygas, faktinis vejos aukštis gali šiek tiek skirtis nuo nustatytojo.

PASTABA: Pradžioje pabandykite pjauti žolę mažiau pastebimoje vietoje, kad nustatytumėte pageidaujamą aukštį.

Žolės lygio indikatorius

► **Pav.21:** 1. Žolės lygio indikatorius

Žolės lygio indikatorius rodo nupjautos žolės kiekį.

- Kai žolės surinkimo krepšys nepilnas, pjaunant žolę indikatorius juda.
- Kai žolės surinkimo krepšys pilnas, pjaunant žolę indikatorius nejuda. Tokiu atveju tuoj pat liaukitės pjovę žolę ir ištuštinkite krepšį. Ištuštinę krepšį, išvalykite jį, kad pro tinklę galėtumėte išseiti oras.

PASTABA: Šis indikatorius nėra tikslus kontrolinis įtaisas. Atsižvelgiant į krepšio viduje esančias sąlygas, šis indikatorius gali veikti netinkamai.

Mulčiavimo kaiščio naudojimas

Pasirenkamasis priedas

Mulčiavimo kaištis leidžia gražinti nupjautą žolę ant žemės paviršiaus, kad ji nesikauptų žolės surinkimo krepšyje. Mašiną naudojant su mulčiavimo kaiščiu, būtina nuimti žolės surinkimo krepšį.

PASTABA: Mašiną naudodami su mulčiavimo kaiščiu, užtikrinkite, kad bendras žolės aukštis būtų 30 mm ar didesnis, o pjovimo ilgis būtų 15 mm ar mažesnis.

► **Pav.22:** (1) 30 mm ar daugiau (2) 15 mm ar mažiau

NAUDOJIMAS

Žolės pjovimas

ĮSPĖJIMAS: Prieš pradėdami pjauti žolę, surinkite nuo vejos šakas ir akmenis. Prieš pradėdami pjauti žolę, taip pat išraukite visas piktžoles.

ĮSPĖJIMAS: Naudodami vejaplovę, visada dėvėkite apsauginius akinius arba apsauginius akinius su šoniniais apsauginiais skydais.

ĮSPĖJIMAS: Jei nupjauta žolė ar svetimkūnis užblokuoja vejaplovės korpuso vidų, prieš pašalindami žolę ar svetimkūnį, būtinai nuimkite blokavimo raktą ir akumulatoriaus kasetę ir šalindami žolę ar svetimkūnį mūvėkite pirštines.

PASTABA: Įrenginį naudokite tik vejai pjauti. Šiuo įrenginiu nepjaukite piktžolių.

► **Pav.23**

Pjaudami žolę, tvirtai abiem rankomis laikykite rankeną. Pjovimo greičio orientyras yra maždaug 1 metras per 4 sekundes.

► **Pav.24**

Priekinių ratų išoriniai kraštai yra pjovimo pločio orientyrai. Priekinių ratų išorinius kraštus naudodami kaip orientyrus, pjaukite juostomis. Norėdami tolygiai nupjauti veją, pjaudami naują juostą, pradenkite nuo pusės iki trečdaliao ankstesnės juostos.

► **Pav.25:** 1. Pjovimo plotis 2. Persidengianti sritis 3. Išorinis kraštus

Kaskart pakeiskite pjovimo kryptį, kad vejos pjovimo raštas nesusiformuotų tik viena kryptimi.

► **Pav.26**

Reguliariai tikrinkite nupjautos žolės surinkimo krepšį. Ištuštinkite krepšį, kol jis dar nėra pilnas. Prieš kiekvieną reguliarią patikrinimą būtinai sustabdykite vejaplovę, tada ištraukite fiksavimo raktą ir akumulatoriaus kasetę.

PASTABA: Naudojant vejaplovę su pilnu žolės surinkimo krepšiu, peiliai negali tolygiai suktis, o varikliui tenka papildoma apkrova, todėl jis gali sugesti.

Aukštos žolės pjovimas

Nebandykite nupjauti žolės per vieną kartą. Ją pjaukite tam tikrais eta-pais. Tarp pjovimų palaukite dieną ar dvi, kol veją nupjausite tolygiai.

PASTABA: Nupjovus ilgą žolę iki trumpo ilgio per vieną kartą, ji gali nuvysti. Nupjauta žolė taip pat gali susikaupti vejąpjovės korpuse.

Žolės surinkimo krepšio ištuštinimas

▲JSPĖJIMAS: Norėdami sumažinti nelaimingų atsitikimų pavojų, reguliariai tikrinkite žolės surinkimo krepšį, ar jis nesugadintas arba nesusilpnėjęs. Jei reikia, pakeiskite žolės surinkimo krepšį.

1. Atleiskite svirtinį jungiklį.
2. Ištraukite fiksavimo raktą.
3. Atidarykite galinį gaubtą ir nuimkite žolės surinkimo krepšį, suėmę jį už jo rankenos.
- ▶ **Pav.27:** 1. Galinis dangtelis 2. Rankena
4. Išpilkite žolę iš žolės surinkimo krepšio.

TECHINĖ PRIEŽIŪRA

▲JSPĖJIMAS: Prieš pastatydami vejąpjovę į vietą arba ją nešdami, prieš pradėdami jos tikrinimą arba techninės priežiūros darbus, visuomet įsitinkinkite, ar bloka-vimo raktas ištrauktas, o akumulatoriaus kasetė išimta.

▲JSPĖJIMAS: Kai vejąpjovės nenaudojate, visada išimkite fiksavimo raktą. Fiksavimo raktą laikykite saugioje, vaikams nepasiekiamoje vietoje.

▲JSPĖJIMAS: Atlikdami patikrinimo arba techninės priežiūros darbus, mūvėkite pirštines.

▲JSPĖJIMAS: Naudodami arba prižiūrėdami vejąpjovę, visada dėvėkite apsauginius akinius arba apsauginius akinius su šoniniais apsauginiais skydais.

PASTABA: Niekada nenaudokite gazolino, benzino, tirpiklio, spirito arba panašių medžiagų. Gali atsirasti išblukimų, deformacijų arba įtrūkimų.

Kad gaminys būtų SAUGUS ir PATIKIMAS, jį taisyti, apžiūrėti ar vykdyti bet kokią kitą priežiūrą ar derinimą turi įgaliotasis kompanijos „Makita“ techninės priežiūros centras; reikia naudoti tik kompanijos „Makita“ pagamintus atsargines dalis.

Priežiūra

1. Ištraukite fiksavimo raktą. Laikykite jį saugioje, vaikams nepasiekiamoje vietoje.
2. Nuvalykite vejąpjovę drėgnu skudurėliu. Valydami vejąpjovę, nepurkškite ir nepilkite ant jos vandens.
3. Padėkite vejąpjovę ant šono ir nuvalykite žolės nuopjovas, susikaupusias vejąpjovės dugno apačioje.
4. Patikrinkite, ar tvirtai priveržtos visos veržlės, sraigčiai, rankenėlės, varžtai, tvirtinimo dalys ir pan.
5. Apžiūrėkite visas judamąsias dalis, ar jos nėra sugadintos, sulūžusios ar nusidėvėjusios. Sugadintas arba trūkstamas dalis reikia remontuoti arba keisti naujomis.

Laikymas

▲JSPĖJIMAS: Nešdami arba gabendami vejąpjovę saugoti, laikykite ne už sudedamų rankenų, o už vejąpjovės priekinės rankenos. Laikant už sudedamų rankenų galima sunkiai susižeisti arba sugadinti vejąpjovę.

Prieš pastatydami vejąpjovę į vietą, iš jos ištraukite akumulatoriaus kasetę ir blokavimo raktelį. Vejąpjovę laikykite vėsioje sausoje rakinamoje patalpoje. Vejąpjovės ir kroviklio nelaikykite tokiose vietose, kur temperatūra gali siekti arba viršyti 40 °C.

▶ **Pav.28:** 1. Priekinė rankena 2. Galinė rankena

1. Atlaisvinkite suveržimo varžtus ir į abi puses ištieskite apatinę rankeną. Stumkite rankeną į priekį. Tuo metu tvirtai laikykite suėmę už apatinės rankenos, kad ji nenukristų į tolimąją vejąpjovės korpuso pusę.

▶ **Pav.29:** 1. Suveržimo varžtas 2. Apatinė rankena

2. Atlaisvinkite suveržimo varžtus ir pakreipkite viršutinę rankeną atgal, tuo pačiu metu ją plėskite į abi puses.

▶ **Pav.30:** 1. Suveržimo veržlė 2. Viršutinė rankena

3. Žolės surinkimo krepšį laikykite tarp rankenos ir vejąpjovės korpuso.

▶ **Pav.31:** 1. Žolės surinkimo krepšys

PASTABA: Statydami vejąpjovę vertikaloje padėtyje, laikykite ne už rankenos, o už vejąpjovės priekinės rankenos.

Vejąpjovės peilio uždėjimas ir nuėmimas

▲JSPĖJIMAS: Nuimdami arba montuodami peilį, visada ištraukite fiksavimo raktą ir akumulatoriaus kasetę. Neištraukus fiksavimo rakto ir akumulatoriaus kasetės, galima sunkiai susižeisti.

▲JSPĖJIMAS: Atleidus jungiklį, peilis sukasi iš inercijos dar kelias sekundes. Kol peilis visiškai nesustojo, nepradėkite dirbti.

▲JSPĖJIMAS: Montuodami peilį, visuomet mūvėkite pirštines.

Vejąpjovės peilio nuėmimas

Skirta DLM382

1. Paverskite vejąpjovę ant šono taip, kad žolės pjovimo aukščio reguliavimo svirtis būtų viršuje.
2. Kad peilis nepasisuktų, į vejąpjovės korpuse esančią angą įstatykite atsuktuvą arba panašų įrankį.
3. Veržliarakčiu sukite varžtą prieš laikrodžio rodyklę.
- ▶ **Pav.32:** 1. Vejąpjovės peilis 2. Atsuktuvas 3. Veržliaraktis
4. Eilės tvarka nuimkite varžtą ir peilį.
- ▶ **Pav.33:** 1. Peilio laikiklis 2. Vejąpjovės peilis 3. Varžtas

Skirta DLM432

1. Paverskite vejapjovę ant šono taip, kad žolės pjovimo aukščio reguliavimo svirtis būtų viršuje.
2. Kad peilis nepasisuktų, į vejapjovės korpuse esančią angą įstatykite atsuktuvą arba panašų įrankį.
3. Veržliarakčių sukite varžtą prieš laikrodžio rodyklę.
▶ **Pav.34:** 1. Vejapjovės peilis 2. Atsuktuvas
3. Veržliaraktis
4. Išsukite varžtą, paeilui nuimkite šoninę jungę, vejapjovės peilį ir vidinę jungę.
▶ **Pav.35:** 1. Vidinė jungė 2. Vejapjovės peilis
3. Išorinė jungė 4. Varžtas

Vejapjovės peilio įdėjimas

Jei norite sumontuoti vejapjovės peilį, vykdykite nuėmimo procedūrą atvirkščia tvarka.

⚠️ ĮSPĖJIMAS: Atidžiai uždėkite vejapjovės peilį. Jis turi viršutinę / apatinę puses. Peilį uždėkite taip, kad sukimosi krypties rodyklė būtų nukreipta išorėn.

⚠️ ĮSPĖJIMAS: Tvirtai užveržkite sraigta, sukdami jį pagal laikrodžio rodyklę, kad užtvirtintumėte peilį.

⚠️ ĮSPĖJIMAS: Įsitinkinkite, kad vejapjovės peilis ir visos tvirtinamosios detalės gerai uždėti ir priveržti.

⚠️ ĮSPĖJIMAS: Peilius visada keiskite laikydamiesi šiame vadove pateiktų instrukcijų.

GEDIMŲ ŠALINIMAS

Prieš kreipdamiesi dėl remonto darbų, pirmiausia patikrinkite gedimus patys. Kilus problemų, apie kurias nepaaiškinta vartotojo vadove, nemėginkite ardyti įrankio. Kreipkitės į įgaliotuosius „Makita“ techninės priežiūros centrus, kuriuose remontui visuomet naudojami originalios „Makita“ keičiamosios dalys.

| Neįprasta būklė | Tikėtina priežastis (triktis) | Ištaisomoji priemonė |
|---|---|--|
| Vejapjovė nepaleidžiama. | Neįdėtos dvi akumuliatoriaus kasetės. | Įdėkite įkrauto akumuliatoriaus kasetes. |
| | Akumuliatoriaus problema (per maža įtampa) | Įkraukite akumuliatoriaus kasetę. Jei įkrauti nepavyksta, pakeiskite akumuliatoriaus kasetę. |
| | Neįdėtas fiksavimo raktas. | Įkiškite fiksavimo raktą. |
| Po trumpo naudojimo variklis nustoja veikęs. | Žemas akumuliatoriaus įkrovos lygis. | Įkraukite akumuliatoriaus kasetę. Jei įkrauti nepavyksta, pakeiskite akumuliatoriaus kasetę. |
| | Pjovimo aukštis per mažas. | Padidinkite pjovimo aukštį. |
| Variklis nepasiekia didžiausių apsisukimų per minutę. | Netinkamai įdėta akumuliatoriaus kasetė. | Akumuliatoriaus kasetę įdėkite, kaip aprašyta šiame vadove. |
| | Akumuliatoriaus galia mažėja. | Įkraukite akumuliatoriaus kasetę. Jei įkrauti nepavyksta, pakeiskite akumuliatoriaus kasetę. |
| | Netinkamai veikia pavaros sistema. | Dėl remonto kreipkitės į vietinį įgaliotąjį techninės priežiūros centrą. |
| Vejapjovės peilis nesisuka: ⇒ nedelsdami sustabdykite vejapjovę! | Šalia peilio įstrigo pašalinis objektas, pvz., šaka. | Pašalinkite pašalinį objektą. |
| | Netinkamai veikia pavaros sistema. | Dėl remonto kreipkitės į vietinį įgaliotąjį techninės priežiūros centrą. |
| Neįprasta vibracija: ⇒ nedelsdami sustabdykite vejapjovę! | Peilis nesubalansuotas, pernelyg ar netolygiai nusidėvėjęs. | Pakeiskite peilį. |

PASIRENKAMI PRIEDAI

⚠️ PERSPĖJIMAS: Šiuos papildomus priedus arba įtaisus rekomenduojama naudoti su šioje instrukcijoje nurodytu „Makita“ bendrovės įrankiu. Naudojant bet kokius kitus papildomus priedus arba įtaisus, gali kilti pavojus sužeisti žmones. Naudokite tik nurodytam tikslui skirtus papildomus priedus arba įtaisus.

- Vejapjovės peilis
- Mulčavimo kaištis
- Originalūs „Makita“ akumuliatorius ir įkroviklis

PASTABA: Kai kurie sąraše esantys priedai gali būti pateikti įrankio pakuotėje kaip standartiniai priedai. Jie įvairiose šalyse gali skirtis.

Jeigu norite daugiau sužinoti apie tuos priedus, kreipkitės į artimiausią „Makita“ techninės priežiūros centrą.

TEHNILISED ANDMED

| Mudel: | DLM382 | DLM432 | |
|------------------------------------|------------------------------------|---|---|
| Niitmislaius (tera läbimõõt) | 380 mm | 430 mm | |
| Koormuseta kiirus | 3 700 min ⁻¹ | 3 600 min ⁻¹ | |
| Vahetatava niiduki tera osa number | 191D41-2 | 191D43-8 | |
| Mõõtmed (P × L × K) | töötamise ajal | P: 1 380 mm kuni 1 410 mm L: 450 mm K: 985 mm kuni 1 005 mm | P: 1 435 mm kuni 1 490 mm L: 460 mm K: 1 005 mm kuni 1 045 mm |
| | hoiustatult (ilma murukogujata) | 860 mm × 450 mm × 475 mm | 865 mm × 460 mm × 475 mm |
| Nimipinge | Alalisvool 36 V | | |
| Netokaal | 16,2 - 16,9 kg | 16,8 - 17,5 kg | |

- Meie pideva uuringu- ja arendusprogrammi tõttu võidakse tehnilisi andmeid muuta ilma sellest ette teatamata.
- Tehnilised andmed võivad riigiti erineda.
- Kaal võib erineda olenevalt lisaseadistest, kaasa arvatud akukassetist. Kergeim ja raskeim kombinatsioon EPTA-protseduuri 01/2014 kohaselt on toodud tabelis.

Sobiv akukassett

BL1815N / BL1820 / BL1820B / BL1830 / BL1830B / BL1840 / BL1840B / BL1850 / BL1850B / BL1860B

- Mõned eespool loetletud akukassetid ei pruugi olla teie riigis saadaval.

⚠ HOIATUS: Kasutage ainult ülalpool loetletud akukassette. Muude akukassettide kasutamine võib tekitada vigastusi ja/või tulekahju.

Sümbolid

Alljärgnevalt kirjeldatakse seadmetel kasutatavaid tingimärke. Veenduge, et olete nende tähendusest aru saanud enne seadme kasutamist.

| | |
|--|--|
| | Olge äärmiselt ettevaatlik ja tähelepanelik. |
| | Lugege juhendit. |
| | Ohtlik; pidage silmas õhkupaiskuvaid objekte. |
| | Seadme ja kõrvalseisjate vaheline vahekaugus peab olema vähemalt 15 m. |
| | Ärge pange kunagi käsi või jalgu niiduki all oleva tera lähedusse. Terad jätkavad pöörlemist ka pärast mootori väljalülitamist. |
| | Eemaldage lukustusvõti enne niiduki kontrollimist, reguleerimist, puhastamist, hooldamist, järelevalveta jätmist ja hoiustamist. |

| | |
|--|--|
| | Ni-MH Li-ion |
| | Ainult EL-i riikide puhul Ärge visake elektriseadmeid ja akusid ära koos majapidamisjäätmetega! Vastavalt Euroopa Parlamendi ja Nõukogu direktiividele elektri- ja elektroonikaseadmete jäätmete kohta ning patareide ja akude ning patareid- ja akujäätmete kohta ning nende nõuete kohaldamisele liikmesriikides tuleb kasutusõlbrmatuks muutunud elektriseadmeid ja akud koguda eraldi ning keskkonnasäästlikult korduv kasutada või ringlusse võtta. |

Kavandatud kasutus

Masin on ette nähtud muru niitmiseks.

Müra

Tüüpiline A-korrigeeritud müratase, määratud standardi EN60335-2-77 kohaselt:

Mudel DLM382

Helirõhutase (L_{pA}): 81 dB (A)
Helivõimsuse tase (L_{WA}): 91 dB (A)
Määramatus (K): 3 dB (A)

Mudel DLM432

Helirõhutase (L_{pA}): 81 dB (A)
Helivõimsuse tase (L_{WA}): 92 dB (A)
Määramatus (K): 3 dB (A)

MÄRKUS: Deklareeritud müra väärtust (väärtuseid) on mõõdetud kooskõlas standardse katsemeetodiga ning seda võib kasutada ühe seadme võrdlemiseks teisega.

MÄRKUS: Deklareeritud müra väärtust (väärtuseid) võib kasutada ka mürataseme esmaseks hindamiseks.

⚠ HOIATUS: Kasutage kõrvakaitsmeid.

⚠ HOIATUS: Müratase võib elektritööriista tegelikkuses kasutamise ajal erineda deklareeritud väärtus(t)est olenevalt tööriista kasutusviisidest ja eriti töödeldavast toorikust.

⚠ HOIATUS: Rakendage operaatori kaitsmiseks kindlasti piisavaid ohutusabinõusid, mis põhinevad hinnangulisel müratasemel tegelikus töösituatsioonis (võttes arvesse tööperioodi kõiki osasid, näiteks korrad, kui seade lülitatakse välja ja seade töötab tühikäigul, lisaks tööajale).

Vibratsioon

Vibratsiooni koguväärtus (kolmeteljeliste vektorite summa) määratud standardi EN60335-2-77 kohaselt:

Mudel DLM382

Vibratsiooniheide (a_h): 2,5 m/s² või vähem
Määramatus (K): 2,0 m/s²

Mudel DLM432

Vibratsiooniheide (a_h): 2,5 m/s² või vähem
Määramatus (K): 1,5 m/s²

MÄRKUS: Deklareeritud vibratsiooni koguväärtust (-väärtuseid) on mõõdetud kooskõlas standardse katsemeetodiga ning seda võib kasutada ühe seadme võrdlemiseks teisega.

MÄRKUS: Deklareeritud vibratsiooni koguväärtust (-väärtuseid) võib kasutada ka mürataseme esmaseks hindamiseks.

⚠️HOIATUS: Vibratsioonitase võib elektritööriista tegelikuses kasutamise ajal erineda deklareeritud väärtus(t)est olenevalt tööriista kasutusviisidest ja eriti töödeldavast toorikust.

⚠️HOIATUS: Rakendage operaatori kaitsmiseks kindlasti piisavaid ohutusabinõusid, mis põhinevad hinnangulisel müratasemel tegelikus töösihtuolukorras (võttes arvesse tööperioodi kõiki osasid, näiteks korrad, kui seade lülitatakse välja ja seade töötab tühikäigul, lisaks tööajale).

EÜ vastavusdeklaratsioon

Ainult Euroopa riikide puhul

EÜ vastavusdeklaratsioon sisaldub käesoleva juhendi Lisas A.

OHUTUSHOIATUSED

TÄHTSAD OHUTUSJUHISED

⚠️HOIATUS: Lugege läbi kõik ohutushoiatused ja juhtnõid. Hoiatuste ja juhtnõitude mittejärgmine võib põhjustada elektrišokki, tulekahju ja/või tõsiseid vigastusi.

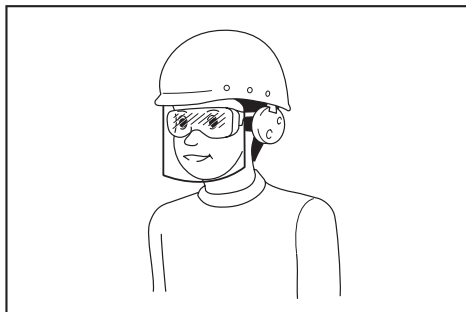
Hoidke edaspidisteks viideteks alles kõik hoiatused ja juhtnõidid.

Õpe

1. Lugege tähelepanelikult juhiseid. Õppige põhjalikult tundma niiduki juhtimisseadiseid ja õiget kasutamist.
2. Mitte mingil juhul ärge lubage niidukit kasutada lastel ega isikutel, kes pole tutvunud kasutusjuhendiga. Kohalikud määrused võivad seada piiranguid kasutaja vanusele.
3. Ärge kunagi kasutage niidukit siis, kui läheduses viibivad inimesed (eriti lapsed) või lemmikloomad.
4. Pidage meeles, et muruniiduki omanik või kasutaja vastutab teistele isikutele põhjustatud vigastuste või nende varale tekitatud kahjustuste eest.
5. Jälgige, et lapsed niidukiga ei mängiks.
6. Füüsiline seisund – ärge kasutage niidukit, kui olete uimastite, alkoholi või ravimite mõju all.

Ettevalmistus

1. Kandke niidukiga töötamise ajal alati tugevaid jalatseid ja pikki pükse. Ärge töötage niidukiga, kui olete paljajalu või kannate lahtisi sandaale. Vältige liiga avarate ja rippuvate lipsude või nõõridega riiete või ehete kandmist. Need võivad liikuvate osade vahele kinni jääda.
2. Enne kasutamist kontrollige visuaalselt, et niiduki kaitsmed ega katted poleks kahjustunud, kadunud või vales kohas.
3. Enne niitmise alustamist veenduge, et niidetaval alal poleks teisi inimesi. Seisake niiduk, kui keegi siseneb niidetavale alale.
4. Ärge sisestage lukustusvõtit niidukisse, kuni see pole kasutamiseks valmis.
5. Kandke elektritööriista kasutades oma silmade vigastuste eest kaitsmiseks alati kaitseprille. Prillid peavad vastama USA-s standardile ANSI Z87.1, Euroopas standardile EN 166 või Austraalias/Uus-Meremaal standardile AS/NZS 1336. Austraalias/Uus-Meremaal on näo kaitsmiseks seadusega nõutud ka näokaitsme kasutamine.



Töandja kohustus on nõuda, et tööriista operaatorid ja teised tööpiirkonnas viibivad isikud kannaksid sobivat ohutusvarustust.

6. Kontrollige lõiketerasid või terapolte enne kasutamist hoolikalt mõrde või kahjustuste suhtes. Vahetage mõranenud või kahjustatud lõiketerad või lõiketerade poldid kohe välja.
7. Eemaldage võörkedad (nt kivid, traadijupid, pudelid, luud ja suuremad oksad) niidetavalt alalt enne niitmise alustamist, et vältida tervisekahjustusi ja niiduki kahjustamist.
8. Kui niiduki lõiketera tabab mõnda eset, võib see põhjustada tõsiseid tervisekahjustusi. Muru tuleb enne niitmist alati tähelepanelikult kontrollida ja kõigist esemetest puhastada.
9. Jälgige auke, rööpaid, muhke, kive või muid varjatud esemeid. Ebatasane maapind võib põhjustada libisemist ja kukkumist. Pika muru sisse võivad olla peidetud takistused.

Kasutamine

1. Ärge küünitage liiga kaugele ette. Hoidke alati tasakaalu. Jälgige kallakutel alati, et teil oleks kindel jalgealune. Kõndige, ärge kunagi jookske.
2. Seisake niiduk ja eemaldage lukustusvõti ning veenduge, et kõik liikuvad osad oleks täielikult peatunud:

- alati, kui niiduki juurest lahkute;
 - enne niidukist takistuste või väljaviskerennist ummistuste eemaldamist;
 - enne niiduki kontrollimist, puhastamist või hooldamist;
 - pärast seda, kui lõiketera on võõrkeha tabanud. Kontrollige, et niidukil poleks kahjustusi, ning tehke kõik vajalikud remonditööd enne selle taaskäivitamist ja niitmise jätkamist
3. Ärge kasutage kunagi niidukit, mille kaitsekatted on defektseks või mille ohutusseadised (nt suunaja ja/või murukogur) on eemaldatud.
 4. Vältige niiduki kasutamist halva ilmaga, eriti kui valitseb äikeseoht.
 5. Niidukiga töötamisel peavad silmad olema alati kaitsitud ja tuleb kanda toekaid jalanõusid.
 6. Töötage niidukiga ainult päevavalguses või hea tehisvalgustuse olemasolul.
 7. Niiduki sisselülitamisel järgige tähelepanelikult juhtnõude ja hoidke jalad lõiketera(de)st eemal.
 8. Olge tähelepanelik, et te ei vigastaks niiduki teradega oma jalgu ega käsi.
 9. Kandke hoolt selle eest, et ventilatsiooniavad oleksid alati prahist puhtad.
 10. Niitke kallakuid küljelt küljele ja mitte kunagi ülevalt alla või alt üles. Olge kallakutel liikumissuunda muutes äärmiselt ettevaatlik. Ärge niitke liiga järskuldel kallakutel.
 11. Olge eriti ettevaatlik niidukit tagurpidi liigutades või enda poole tõmmates.
 12. Seisake lõiketera(d), kui niidukit tuleb kallutada, et liikuda üle alade, mis ei ole muruga kaetud, ning siis, kui viite niidukit niitmisalale või sealt ära.
 13. Ärge kallutage niidukit, kui mootorit sisse lülitate, v.a juhul, kui see on käivitamiseks vajalik. Sellisel juhul ärge kallutage niidukit rohkem kui vaja ning tõstke ainult seda osa, mis jääb kasutajast eemale. Enne niiduki maapinnale tagasi asetamist veenduge alati, et mõlemad käed oleksid tööasendis.
 14. Ärge pange käsi ja jalgu pöörlevate osade lähedale ega nende alla. Hoidke väljaviskeava alati takistustest puhtana.
 15. Ärge transportige niidukit, kui see on sisse lülitatud.
 16. Vältige niiduki kasutamist märjas rohus.
 17. Ärge kasutage kunagi niidukit vihma ajal.
 18. Hoidke alati käepidemest kindlalt kinni.
 19. Ärge haarake niidukit hoides või üles tõstes katmata lõiketeradest või -servadest.
 20. Hoidke käed ja jalad pöörlevatest lõiketeradest eemal. Ettevaatust! Toite väljalülitamise järel pöörlevad terad vaba hooga edasi.
 21. Kui märkate midagi ebatavalist, lõpetage kohe töö. Lülitage niiduk välja ja eemaldage lukustusvõti. Seejärel kontrollige niidukit.
 22. Kui niidukil on lõikekõrguse reguleerimise võimalus, ärge püüdke reguleerida niitmiskõrgust niiduki töötamise ajal.
23. Vabastage hooblüliti ja oodake lõiketera seisumist, enne kui sõidate niidukiga üle siseseõiduteede, kõnniteede, teede või kruusaga kaetud alade. Samuti eemaldage lukustusvõti, kui lahkute niiduki juures, küünitate midagi oma teelt üles võtma või eemaldama, või mõne muu põhjuse korral, mis ei lase teil oma tegevusele keskenduda.
 24. Kui niiduki lõiketera tabab võõrkeha, toimige järgmiselt:
 - Peatage niiduk, vabastage hooblüliti ja oodake, kuni lõiketera on täielikult seisunud.
 - Eemaldage lukustusvõti ja akukassett.
 - Kontrollige niidukit põhjalikult igasuguste kahjustuste suhtes.
 - Vahetage lõiketera välja, kui see on mingil mool kahjustada saanud. Enne niiduki taaskäivitamist ja töö jätkamist parandage kõik kahjustused.
 25. Ärge seisake seadet käivitamise ajal väljaviskeava ees.
 26. Kui niiduk hakkab ebanormaalselt vibreerima, siis
 - kontrollige seda kohe kahjustuste suhtes;
 - asendage või parandage kõik kahjustunud osad;
 - kontrollige osade pingust ja pinguldage lahitud osad.
 27. Ärge kunagi suunake välja heidetavat materjali kellegi poole. Vältige materjali seinale või takistusele heitmist. Materjal võib kasutaja poole tagasi lennata. Kruusapindade ületamisel seisake tera.
 28. Tõmmake niidukit tagasisuunas ainult äärmisel juhul. Kui peate niidukit aia või muu sarnase takistuse juurest eemale tõmbama, vaadake enne tagasisuunas liikumist alla ja seljataha.
 29. Enne murupüüdüri eemaldamist lülitage mootor välja ja oodake, kuni tera on täielikult peatunud. Olge ettevaatlik, sest terad liiguvad pärast väljalülitamist vabakäiguga edasi.
- ### Hooldus ja hoiudamine
1. Ohutuse tagamiseks vahetage kulunud või kahjustunud osad uute vastu. Kasutage ainult originaalvaruosi ja -tarvikuid.
 2. Kontrollige ja hooldage niidukit regulaarselt.
 3. Kui niidukit ei kasutata, hoidke seda lastele kättesaamatus kohas.
 4. Seadme ohutu talitluse tagamiseks hoidke kõik mutrid, poldid ja kruvid tugevasti pinguldatusena.
 5. Kontrollige murukogurit sageli kulumise või muul viisil kahjustumise suhtes. Enne hoiustamist veenduge alati, et murukogur oleks tühi. Ohutuse tagamiseks asendage kulunud murukogur alati tootja originaalosa.
 6. Kasutage ainult juhendis kirjeldatud tootja originaallõiketeri.
 7. Olge niiduki reguleerimisel ettevaatlik, et vältida sõrmede muljumist niiduki fikseeritud osade ja liikuvate lõiketerade vahele.
 8. Ärge peske voolava veega; vältige vee sattumist mootorisse ja elektriühendustesse.

- Kontrollige lõiketera fiksaatorpolti regulaarselt korrektse pinguse suhtes.
- Laske niidukil alati enne hoiustamist maha jahtuda.
- Olge lõiketerade hooldamisel teadlik sellest, et kuigi toide on välja lülitatud, võivad lõiketerad siiski liikuda.
- Ärge kunagi eemaldage ega muutke oma-vooliselt kaitseseadmeid. Kontrollige nende töökorda regulaarselt. Ärge kunagi tehke midagi, mis häiriks kaitseseadme kavandatud funktsiooni või vähendaks kaitseseadme kaitsevõimet.

Akuga tööriista kasutamine ja hooldus

- Laadige alati laadijaga, mille tootja on heaks kiitnud. Laadija, mis sobib kasutamiseks ühte tüüpi akuga, võib kaasa tuua tulekahjuohtu, kui seda kasutada koos mõnda teist tüüpi akuga.
- Kasutage elektritööriista üksnes spetsiaalselt neile toodetud akudega. Mis tahes muude akude kasutamine võib tekitada tervisekahjustusi või tulekahjuohtu.
- Kui akut ei kasutata, ärge hoidke seda koos muude metallesemetega, nagu kirjaklambrid, mündid, võtmed, naelad, kruvid jm väiksed metallesemed, mis võivad tekitada ühenduse klemmide vahel. Akuklemmide lühis võib põhjustada põletusi ja tulekahjuohtu.
- Väärkasutamise tagajärjel võib akut valguda välja vedelikku; ärge seda puudutage. Kui olete selle vedelikuga siiski kogemata kokku puutunud, uhtke kohta veega. Kui vedelik on sattunud silma, minge arsti juurde. Akust väljalagnud vedelik võib põhjustada ärritust ja põletusi.
- Ärge kasutage akupaketti ega tööriista, mis on kahjustatud või muudetud. Kahjustatud või muudetud akud võivad käituda etteaimamatult, põhjustades süttimis-, plahvatus- või vigastusohu.
- Kaitske akupaketti ja tööriista tule ja kõrge temperatuuri eest. Tule või kõrgema kui 130 °C temperatuuriga kokkupuutumine võib tuua kaasa plahvatuse.
- Pidage kinni kõigist laadimisjuhustest ja ärge laadige akupaketti ega tööriista väljaspool juhendis märgitud temperatuurivahemikku. Valesi või väljaspool märgitud temperatuurivahemikku laadimine võib kahjustada akupaketti ja suurendada süttimisohtu.

Elektriohtus ja aku ohutu talitlus

- Ärge visake kasutatud akut (akusid) tulle. Element võib plahvatada. Kasutatud akude käitlemise võimalikud erinõuded leiata kohalikest eeskirjadest.
- Akut (akusid) ei tohi avada ega kahjustada. Väljalagnud elektrolüüt on söövitava toimega ning võib kahjustada silmi ja nahka. See võib osutada allaneelamisel mürgiseks.
- Ärge laadige akut vihma käes ega märjas keskkonnas.
- Ärge laadige akut välistingimustes.
- Ärge käsitsege laadurit, sh laaduri pistikut ja laadimisterminale märgade kätega.

Hooldus

- Laske elektritööriista hooldada eksperdil, kes kasutab vaid originaalvaruosi. Siis püsib elektritööriista ohutus.
- Ärge hooldage kahjustatud akupakette. Akupakette võivad hooldada ainult tootja või ametlikud teenusepakkujad.

HOIDKE JUHEND ALLES.

▲HOIATUS: ÄRGE UNUSTAGE järgida toote ohutusnõudeid mugavuse või toote (korduskasutamise saavutatud) hea tundmise tõttu.

VALE KASUTUS või kasutusjuhendi ohutuseeskirjade eiramine võib põhjustada tervisekahjustusi.

Akukassetiga seotud olulised ohutusjuhised

- Enne akukassetti kasutamist lugege (1) akulaadijal, (2) akul ja (3) seadmel olevad juhtnõidid ja hoiatused läbi.
- Ärge võtke akukassetti lahti.
- Kui tööaeg järsult lüheneb, siis lõpetage kohe kasutamine. Edasise kasutamise tulemuseks võib olla ülekuumenemisoht, võimalikud põletused või isegi plahvatus.
- Kui elektrilüüti satub silma, siis loputage silma puhta veega ja pöörduge koheselt arsti poole. Selline õnnetus võib põhjustada pimedaksjäämist.
- Ärge tekitage akukassetis lühist:
 - Ärge puutuge klemme elektrijuhtidega.
 - Ärge hoidke akukassetti tööriistakassis koos metallesemetega, nagu naelad, mündid jne.
 - Ärge tehke akukassetti märjaks ega jätke seda vihma kätte.
- Aku lühis võib põhjustada tugevat elektrivoolu, ülekuumenemist, põletusi ning ka seadet tõsiselt kahjustada.
- Ärge hoidke tööriista ja akukassetti kohtades, kus temperatuur võib tõusta üle 50 °C.
- Ärge põletage akukassetti isegi siis, kui see on saanud tõsiselt vigastada või on täiesti kulunud. Akukassett võib tules plahvatada.
- Olge ettevaatlik, ärge laske akul maha kukkuda ja vältige lööke.
- Ärge kasutage kahjustatud akut.
- Sisalduvatele liitium-ioonakudele võivad kohalduva ohtlike kaupade õigusaktide nõuded. Kaubanduslikul transportimisel, näiteks kolmandate poolte või transpordiettevõtete poolt, tuleb järgida pakendil ja sihtidel toodud erinõudeid. Transportimiseks ettevalmistamisel on vajalik pidada nõu ohtliku materjali eksperdiga. Samuti tuleb järgida võimalike riiklike regulatsioonide üksikasjalikumaid nõudeid. Katke teibiga või varjake avatud kontaktid ja paken- dage aku selliselt, et see ei saaks pakendis liikuda.
- Kasutuskõlbatuks muutunud akukassetti kõrvaldamiseks eemaldage see tööriistast ja viige selleks ette nähtud kohta. Järgige kasutuskõlbatuks muutunud aku kõrvaldamisel kohalikke eeskirju.

12. **Kasutage akusid ainult Makita heaks kiidetud toodetega.** Akude paigaldamine selleks mitte ettenähtud toodetele võib põhjustada süttimist, ülemäära-
st kuumust, plahvatamist või elektrilöödi lekkimist.
13. **Kui tööriista ei kasutata pika ajaperioodi jook-
sul, tuleb aku tööriistast eemaldada.**

HOIDKE JUHEND ALLES.

⚠ETTEVAATUST: Kasutage ainult Makita originaalakusid. Mitte Makita originaalakude või muudetud akude kasutamine võib põhjustada akude süttimise, kehavigastuse ja kahjustuse. Samuti muu-
dab see kehtetuks Makita tööriista ja laadija Makita garantii.

Vihjeid aku maksimaalse kasu- tusaja tagamise kohta

1. **Laadige akukasetti enne selle täielikku tühje-
nemist. Kui märkate, et tööriist töötab väiksema
võimsusega, peatage töö ja laadige akukasetti.**
2. **Ärge laadige täielikult laetud akukasetti.**
Ülelaadimine lühendab akude kasutusiga.
3. **Laadige akukasetti toatemperatuuril 10 °C -
40 °C. Enne laadimist laske kuumenenud aku-
kasetil maha jahtuda.**
4. **Kui te ei kasuta akukasetti kauem kui kuus
kuud, laadige see.**

KOKKUPANEK

⚠HOIATUS: Veenduge enne niidukil igasuguste tööde tegemist, et lukustusvõti ja akukasett oleks eemaldatud. Lukustusvõtme ja akukasetti eemaldamata jätmine võib põhjustada tõsiseid tervisekahjustusi, kui niiduk juhuslikult käivitub.

⚠HOIATUS: Ärge käivitage kunagi niidukit, kui see pole täielikult monteeritud. Osaliselt kokku-
pandud masina juhuslik käivitamine võib põhjustada tõsiseid kehavigastusi.

Akukatte paigaldamine

⚠HOIATUS: Ärge paigaldage lukustusvõtit ega akukasetti enne akukatte paigaldamist. Muidu võib tagajärjeks olla tõsine vigastus.

Enne töötamise algust paigaldage täielikult akukate. Akukate kaitseb niidukit ja akukasetti pori, prahi ja vee eest.

1. Asetage akukate sellisel, et niiduki eendid oleksid kohakuti akukattes asuvate avadega.
▶ **Joon.1:** 1. Eend 2. Ava 3. Akukate
2. Asetage käed akukatte keskele ja suruge seda.
▶ **Joon.2**
3. Enne töö alustamist kontrollige, et akukatte pöördetelje tihvt oleks nõuetekohaselt kinnitatud. Kui akukate on õigesti paigaldatud, avaneb see ainult akukatte lukustushoova tõmbamisel.
▶ **Joon.3:** 1. Pöördetelg 2. Akukatte lukustushoob

Käepideme paigaldamine

TÄHELEPANU: Käepidemete paigaldamisel paigutage juhtmed nii, et need ei jääks käepidemete vahel millegi külge kinni. Kui juhe on kahjustatud, ei pruugi niiduki lüliti toimida.

1. Lükake alumise käepideme mõlemad otsad niiduki soontesse ja kinnitage seejärel kinnitusklambrid lõpuni.
▶ **Joon.4:** 1. Kinnituskruvi 2. Alumine käepide
2. Viige alumise ja ülemise käepideme kruviavad omavahel kohakuti. Kinnitage need kinnituskruidude ja mutritega.
▶ **Joon.5:** 1. Kinnitusmutter 2. Kinnituskruvi

MÄRKUS: Hoidke ülemist käepidet kindlalt, nii et see ei kukuks teil käest maha.

3. Kinnitage hoidikud käepidemele. Paigutage toitejuhe joonisel näidatud viisil.
▶ **Joon.6:** 1. Hoidik

Multšimiskorgi eemaldamine

Lisatarvik

1. Avage tagakaas.
▶ **Joon.7:** 1. Tagakaas
2. Hoidke multšimiskorki käepidemest ja tõmmake see joonisel näidatud viisil niiduki kerest välja.
▶ **Joon.8:** 1. Multšimiskork 2. Käepide

Murukoguri paigaldamine

1. Avage tagakaas.
▶ **Joon.9:** 1. Tagakaas
2. Haakige murukoguja niiduki kerel olevale vardale, nagu on näidatud joonisel.
▶ **Joon.10:** 1. Konks 2. Varras 3. Murukogur

Multšimiskorgi kinnitamine

Lisatarvik

1. Avage tagakaas ja eemaldage murukogur.
▶ **Joon.11:** 1. Tagakaas 2. Murukogur
2. Hoidke multšimiskorki käepidemest ja kinnitage see joonisel näidatud viisil niiduki kerale.
▶ **Joon.12:** 1. Multšimiskork 2. Käepide

FUNKSIONAALNE KIRJELDUS

Akukasseti paigaldamine või eemaldamine

⚠ETTEVAATUST: Lülitage masin alati enne akukasseti paigaldamist või eemaldamist välja.

⚠ETTEVAATUST: Enne kasutamist lukustage kindlasti akukate. Muidu võivad pori, muld või vesi põhjustada toote või akukasseti kahjustuse.

⚠ETTEVAATUST: Paigaldage akukassett alati täies ulatuses nii, et punane näidik poleks nähtaval. Muidu võib see juhuslikult masinast välja kukkuda ja põhjustada teile või läheduses viibivatele isikutele vigastusi.

⚠ETTEVAATUST: Ärge rakendage akukasseti paigaldamisel jõudu. Kui kassett ei lähe kergesti sisse, pole see õigesti paigaldatud.

MÄRKUS: See masin ei tööta ainult ühe akukassetiga.

Akukasseti paigaldamine

1. Libistage akukatte lukustushooba ja avage akukate.

► **Joon.13:** 1. Akukate 2. Akukatte lukustushoob

2. Viige akukasseti keel kohakuti niidukil asuva pesaga ja lükake kassetti, kuni see klõpsatusega oma kohale kinnitub.

► **Joon.14:** 1. Akukassett

3. Sisestage lukustusvõti joonisel näidatud kohta nii sügavale kui võimalik.

► **Joon.15:** 1. Lukustusvõti

4. Sulgege akukate ja vajutage sellele, kuni lukustushoob selle fikseerib.

Niiduki akukasseti eemaldamine

1. Libistage akukatte lukustushooba ja avage akukate.

2. Tõmmake akukassetti niidukist, lükates samal ajal kasseti esiküljel paiknevat nuppu.

3. Tõmmake lukustusvõti välja.

4. Sulgege akukate.

Masina/aku kaitsesüsteem

Masinal on masina/aku kaitsesüsteem. Süsteem lülitab mootori automaatselt välja, et pikendada tööriista ja aku tööiga. Masin seiskub käitamise ajal automaatselt, kui masina või aku kohta kehtib üks järgmistest tingimustest.

Ülekoormuskaitse

Kui masina kasutamise käigus hakkab see tarbima eba-harilikult palju voolu, peatub masin automaatselt ilma iganaguse signaalita. Sel juhul lülitage masin välja ja lõpetage masina ülekoormuse põhjustanud töö. Pärast seda käivitage masin uuesti.

Ülekuumenemiskaitse

Masina ülekuumenemisel seiskub masin automaatselt. Laske masinal maha jahtuda, enne kui selle uuesti sisse lülitate.

Ülelaadimiskaitse

Kui aku laetuse tase on madal, siis seiskub masin automaatselt. Kui seade ei hakka tööle ka lülitate kasutamisel, eemaldage masinast akud ja laadige neid.

Aku jääkmahutavuse näit

► **Joon.16:** 1. Aku indikaator

























Kui järelejäanud aku laeng on väike, siis akuindikaator vilgub selle aku küljel. Edasisel kasutamisel masin seiskub ning akuindikaator hakkab põlema ja põleb umbes 10 sekundit. Sellisel juhul laadige akukassetti.

Aku jääkmahutavuse näit

Ärniult näidikuga akukassettidele

► **Joon.17:** 1. Märgulambid 2. Kontrollimise nupp

Akukasseti järelejäanud mahutavuse kontrollimiseks vajutage kontrollimise nuppu. Märgulambid süttivad mõneks sekundiks.

| Märgulambid | | | Jääkmahutavus |
|---|---|--|-----------------------|
|  Poleb |  Ei pole |  Vilgub | |
|  |  |  | 75 - 100% |
|  |  |  | 50 - 75% |
|  |  |  | 25 - 50% |
|  |  |  | 0 - 25% |
|  |  |  | Laadige akut. |
|  |  |  | Akul võib olla tõrge. |
|  |  |  | |

MÄRKUS: Näidatud mahutavus võib veidi erineda tegelikust mahutavusest olenevalt kasutustingimustest ja ümbritseva keskkonna temperatuurist.

Lüliti funktsioneerimine

⚠HOIATUS: Kontrollige alati enne akukasseti sisestamist seda, kas hoobüliti töötab nõuetekohaselt ja kas see liigub pärast vabastamist algasendisse tagasi. Masina juhtimine lüliti abil, mis ei toimi korralikult, võib kaasa tuua kontrolli kaotamise sae üle ja põhjustada tõsisid vigastusi.

MÄRKUS: Niiduk ei käivitu, kui te toitelüliti ei vajuta (seda ka juhul, kui hoobülitiit tõmbate).

MÄRKUS: Niiduk ei pruugi ülekoormuse tõttu käivituda, kui üritate niita liiga kõrget või tihedat heina. Sellisel juhul suurendage niitmiskõrgust.

See niiduk on varustatud blokeerülilitiga ja käepidemel oleva ülilitiga. Kui märkate midagi ebatavalist, mis on seotud ühega neist ülilitest, seisake niiduk viivitamatult ja laske neid üliliteid lähimas Makita volitatud teeninduskeskuses kontrollida.

1. Paigaldage akukassetid. Sisestage lukustusvõti blokeerülilitisse ja seejärel sulgege akukate.
► **Joon.18:** 1. Akukasset 2. Lukustusvõti
2. Vajutage ülitusnuppu ja hoidke seda all.
3. Haarake ülemisest käepidemest ja tõmmake hooblüliti.
► **Joon.19:** 1. Ülitusnupp 2. Hooblüliti
4. Vabastage toitelüliti niipea, kui mootor käivitub. Niiduki mootor töötab, kuni hooblüliti vabastate.
5. Vabastage hooblüliti, et mootor seisata.

Niitmiskõrguse reguleerimine

▲HOIATUS: Ärge pange niitmiskõrguse reguleerimisel käsi või jalgu kunagi niiduki alla.

▲HOIATUS: Veenduge alati enne seadme kasutamist, et hoob sobituks soonde.

Niitmiskõrgust saab reguleerida vahemikus 20 mm ja 75 mm.

1. Eemaldage lukustusvõti.
2. Tõmmake niitmiskõrguse reguleerimishooba niiduki korpusest eemale ja liigutage sobivale niitmiskõrgusele.
► **Joon.20:** 1. Niitmiskõrguse reguleerimishoob

MÄRKUS: Niitmiskõrguse näitajaid tuleks kasutada orientiirina. Maapinna ja muru seisundist olenevalt võib tegelik murukõrgus olla valitud kõrgusest erinev.

MÄRKUS: Katsetage muru niitmiskõrguse seadistust vähem nähtavas kohas, et leida sobiv kõrgus.

Rohutaseme indikaator

- **Joon.21:** 1. Rohutaseme indikaator

Rohutaseme indikaator näitab niidetud rohu mahtu.

- Kui murukogur ei ole täis, siis indikaator „ujub“ niitmise ajal.
- Kui murukogur on täis, siis indikaator ei „uju“ niitmise ajal. Sellisel juhul peatage kohe niitmine ja tühjendage kogur. Pärast koguri tühjendamist puhastage seda niimoodi, et õhk pääseks läbi võrgusilmade.

MÄRKUS: Selle indikaatori puhul on tegemist ligikaudse näidikuga. Kruvikeeraja on varustatud kruvide sisestamise sügavuse regulaatoriga.

Multšimiskorgi kasutamine

Lisatarvik

Multšimiskork võimaldab teil niidetud muru tagasi maha lasta, ilma et see murukogurisse kogutaks. Kui kasutate masinat multšimiskorgiga, siis eemaldage kindlasti murukogur.

TÄHELEPANU: Masina multšimiskorgiga kasutamisel veenduge, et muru kogupikkus oleks 30 mm või rohkem, või lõikepikkus oleks 15 mm või vähem.

- **Joon.22:** (1) 30 mm või rohkem (2) 15 mm või vähem

TÖÖRIISTA KASUTAMINE

Niitmine

▲HOIATUS: Puhastage niidetav ala enne niitmist okstest ja kividest. Lisaks puhastage niidetav ala enne niitmist ka umbrohost.

▲HOIATUS: Kandke niiduki kasutamisel alati kaitseprille (või nt külgmiste kaitsetega kaitseprille).

▲ETTEVAATUST: Kui muru või kõrvaline eseme on niiduki korpuse seestpoolt ummistanud, võtke enne muru või kõrvalise eseme eemaldamist välja lukustusvõti ja akukasset ning pange kindad kätte.

TÄHELEPANU: Kasutage seda seadet ainult muru niitmiseks. Ärge kasutage seda seadet umbrohu niitmiseks.

- **Joon.23**

Hoidke niitmise kindlalt kahe käega käepidemest kinni.

Soovitav niitmiskiirus on umbes 1 meetrit 4 sekundis.

- **Joon.24**

Niitmislaiuse orientiiriks on esirataste välisääred. Välisäärite kasutamisel niitmislaiuse orientiiriks niitke ribadena. Niitke kuni ühe kolmandiku ulatuses eelmise riba peal (kattuv ala) – nii niidate muru ühtlaselt.

- **Joon.25:** 1. Niitmislaius 2. Kattuv ala 3. Välisäär

Muutke iga kord niitmise suunda, et ei tekiks ühesuunalist muru mustrit.

- **Joon.26**

Kontrollige regulaarselt murukoguris oleva niidetud muru kogust. Tühjendage murukogur enne selle täitumist. Enne iga sellist kontrolli seisake niiduk ning eemaldage seejärel lukustusvõti ja akukasset niidukist.

TÄHELEPANU: Täis murukogur takistab niiduki lõiketeradel sujuvalt pöörelda ja lisab mootorile lisakoormuse, mis võib põhjustada mootoririkkeid.

Kõrge muru niitmine

Ärge niitke kõrget muru korraga. Selle asemel niitke muru mitmes etapis. Jätke niitmiste vahele üks kuni kaks päeva, et muru muutuks ühtlaseks.

MÄRKUS: Kõrge rohu korraga lühikeseks niitmine võib põhjustada muru kuivamise. Samuti võib niidetud muru ummistada seest niiduki korpuse.

Murukoguri tühjendamine

▲HOIATUS: Õnnetuste ärahoidmiseks kontrollige murukogurit regulaarselt kahjustuste või tugevuse vähenemise suhtes. Vajaduse korral vahetage murukogur.

1. Vabastage hooblüliti.
2. Eemaldage lukustusvõti.
3. Avage tagakaas ja võtke käepidemest hoides murukoguja korv välja.
▶ **Joon.27:** 1. Tagakaas 2. Käepide
4. Tühjendage murukogur.

HOOLDUS

⚠HOIATUS: Veenduge alati enne niiduki hoiustamist, kandmist, kontrollimist või hooldamist, et lukustusvõti ja akukassett oleksid niidukist eemaldatud.

⚠HOIATUS: Kui niidukit ei kasutata, eemaldage alati lukustusvõti. Hoiustage lukustusvõtit turvalises ja lastele kättesaamatus kohas.

⚠HOIATUS: Kandke kontrollimise või hooldamise ajal kaitsekindaid.

⚠HOIATUS: Kandke niiduki kontrollimisel või hooldamisel alati kaitseprille või külgmiste kaitsetega kaitseprille.

TÄHELEPANU: Ärge kunagi kasutage bensiini, vedeldit, alkoholi ega midagi muud sarnast. Selle tulemuseks võib olla luitumine, deformatsioon või pragunemine.

Toote OHUTUSE ja TÕÕKINDLUSE tagamiseks tuleb vajalikud remonttööd ning muud hooldus- ja reguleerimistööd lasta teha Makita volitatud teeninduskeskustes või tehase teeninduskeskustes. Alati tuleb kasutada Makita varuosi.

Hooldus

1. Eemaldage lukustusvõti. Hoiustage seda turvalises ja lastele kättesaamatus kohas.
2. Puhastage niidukit niiske lapiga. Ärge pihustage või valage niiduki peale vett.
3. Asetage niiduk küljele ja puhastage see kere alla kogunenud murujääkidest.
4. Kontrollige kõikide mutrite, poltide, nuppude, kruvide, kinnitite jne pingust.
5. Kontrollige liikuvaid osi kahjustuste, purunemise ja kulumise suhtes. Kahjustatud või puuduvad osad tuleb remontida või välja vahetada.

Hoiustamine

⚠HOIATUS: Niidukit kandes või hoiustades ärge hoidke kokkupandud käepidemest, vaid niiduki eesmisest käepidemest. Kokkupandud käepidemest hoidmine võib põhjustada tõsiseid vigastusi või niidukit kahjustada.

Eemaldage enne niiduki hoiule panekut sellest akukasest ja lukustusvõti. Hoidke niidukit siseruumis jahedas, kuivas ja lukustatud kohas. Ärge hoidke niidukit ega laadurit kohtades, kus temperatuur võib tõusta üle 40 °C.
▶ **Joon.28:** 1. Eesmine käepide 2. Tagumine käepide

1. Vabastage kinnituskruidid ja tõmmake alumist käepidet mõlemale küljele. Viige käepide ette alla. Hoidke samal ajal alumisest käepidemest tugevasti kinni, et see niiduki kerest eemale ei kukuks.

▶ **Joon.29:** 1. Kinnituskruid 2. Alumine käepide

2. Vabastage kinnitusmutrid ja pöörake ülemine käepide tagasi, tõmmates mõlemat külge laiali.

▶ **Joon.30:** 1. Kinnitusmutter 2. Ülemine käepide

3. Hoidke murukogurit käepideme ja niiduki kere vahel.

▶ **Joon.31:** 1. Murukogur

MÄRKUS: Kui asetate niidukit püstisesse asendisse, ärge hoidke käepidemest, vaid kasutage niiduki esiosas olevat käepidet.

Niiduki tera eemaldamine või paigaldamine

⚠HOIATUS: Eemaldage lukustusvõti ja akukasest alati enne lõiketera eemaldamist või paigaldamist. Lukustusvõtme või akukasesti eemaldamata jätmine võib tuua kaasa tõsiseid vigastusi.

⚠HOIATUS: Pärast lüliti vabastamist pöörleb lõiketera mõned sekundid tühikäigul. Ärge alustage toiminguid enne, kui tera on täielikult seiskunud.

⚠HOIATUS: Kandke lõiketera käsitsemisel alati kaitsekindaid.

Niiduki tera eemaldamine

DLM382

1. Asetage niiduk küljele, nii et niitmiskõrguse reguleerimishoob jääb üles.
2. Tera pöörlemise lukustamiseks sisestage kruvikeeraja vms sarnane tööriist niiduki kerel olevasse avasse.
3. Keerake polti mutrivõtmega vastupäeva.
▶ **Joon.32:** 1. Niiduki tera 2. Kruvikeeraja 3. Mutrivõti
4. Eemaldage järjekorras polt ja tera.
▶ **Joon.33:** 1. Tera tugi 2. Niiduki tera 3. Polt

DLM432

1. Asetage niiduk küljele, nii et niitmiskõrguse reguleerimishoob jääb üles.
2. Tera pöörlemise lukustamiseks sisestage kruvikeeraja vms sarnane tööriist niiduki kerel olevasse avasse.
3. Keerake polti mutrivõtmega vastupäeva.
▶ **Joon.34:** 1. Niiduki tera 2. Kruvikeeraja 3. Mutrivõti
4. Eemaldage järjekorras polt, väline äärik, niiduki tera ja sisemine äärik.
▶ **Joon.35:** 1. Siseäärik 2. Niiduki tera 3. Välisäärik 4. Polt

Niiduki tera paigaldamine

Niiduki tera paigaldamiseks järgige eemaldamise protseduuri vastupidises järjekorras.

⚠HOIATUS: Paigaldage niiduki tera hoolikalt. Sellel on ülemine/alumine külg. Asetage tera niimoodi, et selle pöörlemissuuna nooled oleks suunatud väljapoole.

⚠HOIATUS: Seejärel pinguldage polti päripäeva, et löiketera fikseerida.

⚠HOIATUS: Veenduge, et niiduki tera ja kõik selle kinnitused oleksid korralikult paigaldatud ja kindlalt pingutatud.

⚠HOIATUS: Terasid vahetades järgige alati juhendis toodud juhtnõure.

VEAOTSING

Enne remonditöökotta pöördumist kontrollige niidukit ise. Ärge üritage niidukit lahti võtta, kui leiate probleemi, mida kasutusjuhendis ei kirjeldata. Selle asemel pöörduge Makita volitatud teeninduskeskusesse, kus kasutatakse remontimisel alati Makita tagavaraosi.

| Tõrge | Võimalik põhjus (riike) | Lahendus |
|--|--|--|
| Niiduk ei käivitu. | Kaks akukassetti ei ole paigaldatud. | Paigaldage laetud akukassetid. |
| | Akuga seotud probleem (alapinge) | Laadige akukassett. Kui laadimine ei anna tulemust, vahetage akukassett välja. |
| | Lukustusvõti ei ole sisestatud. | Sisestage lukustusvõti. |
| Mootor seiskub pärast lühiajalist töötamist. | Aku laetustase on madal. | Laadige akukassett. Kui laadimine ei anna tulemust, vahetage akukassett välja. |
| | Niitmiskõrgus on liiga madal. | Suurendage niitmiskõrgust. |
| Mootor ei saavuta maksimaalset pöörlemiskiirust. | Akukassett ei ole õigesti paigaldatud. | Paigaldage akukassett juhendis kirjeldatud viisil. |
| | Aku võimsus langeb. | Laadige akukassett. Kui laadimine ei anna tulemust, vahetage akukassett välja. |
| | Veosüsteem ei tööta korralikult. | Paluge volitatud teeninduskeskuses teha parandustööd. |
| Niiduki tera ei pöörle: ⇒ seisake kohe niiduk! | Kõrvaline ese, näiteks puuoks on tera blokeerunud. | Eemaldage kõrvaline ese. |
| | Veosüsteem ei tööta korralikult. | Paluge volitatud teeninduskeskuses teha parandustööd. |
| Ebatavaline vibratsioon: ⇒ seisake kohe niiduk! | Tera ei ole tasakaalus või on ülemäärane või ebaühtlaselt kulunud. | Vahetage tera. |

VALIKULISED TARVIKUD

⚠ETTEVAATUST: Neid tarvikuid ja lisaseadiseid on soovitatav kasutada koos Makita tööriistaga, mille kasutamist selles kasutusjuhendis kirjeldatakse. Muude tarvikute ja lisaseadiste kasutamisega kaasneb vigastada saamise oht. Kasutage tarvikuid ja lisaseadiseid ainult otstarbekohaselt.

Saate vajaduse korral kohalikust Makita teeninduskeskusest lisateavet nende tarvikute kohta.

- Niiduki tera
- Multšimiskork
- Makita algupärane aku ja laadija

MÄRKUS: Mõned nimekirjas loetletud tarvikud võivad kuuluda standardvarustusse ning need on lisatud tööriista pakendisse. Need võivad riigiti erineda.

ТЕХНИЧЕСКИЕ ХАРАКТЕРИСТИКИ

| Модель: | | DLM382 | DLM432 |
|--|--|---|---|
| Ширина скашивания (диаметр лезвия) | | 380 мм | 430 мм |
| Число оборотов без нагрузки | | 3 700 мин ⁻¹ | 3 600 мин ⁻¹ |
| Сменное лезвие газонокосилки, номер детали | | 191D41-2 | 191D43-8 |
| Размеры (Д × Ш × В) | во время работы | Д: от 1 380 мм до 1 410 мм Ш: 450 мм В: от 985 мм до 1 005 мм | Д: от 1 435 мм до 1 490 мм. Ш: 460 мм В: от 1 005 мм до 1 045 мм. |
| | в положении для хранения (без корзины для травы) | 860 мм × 450 мм × 475 мм | 865 мм × 460 мм × 475 мм |
| Номинальное напряжение | | 36 В пост. тока | |
| Масса нетто | | 16,2 – 16,9 кг | 16,8 – 17,5 кг |

- Благодаря нашей постоянно действующей программе исследований и разработок указанные здесь технические характеристики могут быть изменены без предварительного уведомления.
- Технические характеристики могут различаться в зависимости от страны.
- Масса может отличаться в зависимости от дополнительного оборудования. Обратите внимание, что блок аккумулятора также считается дополнительным оборудованием. В таблице представлены комбинации с наибольшим и наименьшим весом в соответствии с процедурой EPTA 01/2014.

Подходящий блок аккумулятора

BL1815N / BL1820 / BL1820B / BL1830 / BL1830B / BL1840 / BL1840B / BL1850 / BL1850B / BL1860B

- В зависимости от региона вашего проживания некоторые блоки аккумуляторов, перечисленные выше, могут быть недоступны.

⚠ ОСТОРОЖНО: Используйте только перечисленные выше блоки аккумуляторов. Использование других блоков аккумуляторов может привести к травме и/или пожару.

СИМВОЛЫ

Ниже приведены символы, используемые для обозначения. Перед использованием убедитесь, что вы понимаете их значение.

| | |
|--|--|
|  | Обратите особое внимание. |
|  | Прочитайте руководство по эксплуатации. |
|  | Опасность! Возможен разлет твердых предметов. |
|  | Расстояние от инструмента до находящихся поблизости людей должно быть не менее 15 м. |
|  | Не приближайте руки и ноги к ножам под днищем газонокосилки. После выключения электромотора лезвия продолжают вращаться. |
|  | Перед осмотром, регулировкой, очисткой, обслуживанием, оставлением и хранением газонокосилки извлекайте ключ блокировки. |



Только для стран ЕС
Не выбрасывайте электрооборудование или аккумуляторы вместе с бытовым мусором!
В соответствии с европейскими директивами об утилизации электрического и электронного оборудования, о батареях и аккумуляторах, а также использованных батареях и аккумуляторах и их применении в соответствии с местными законами электрооборудование, батареи и аккумуляторы, срок эксплуатации которых истек, должны утилизироваться отдельно и передаваться для утилизации на предприятие, соответствующее применяемым правилам охраны окружающей среды.

Назначение

Газонокосилка предназначена для стрижки газонов.

Шум

Типичный уровень взвешенного звукового давления (A), измеренный в соответствии с EN60335-2-77:

Модель DLM382

Уровень звукового давления (L_{PA}): 81 дБ (A)
Уровень звуковой мощности (L_{WA}): 91 дБ (A)
Погрешность (K): 3 дБ (A)

Модель DLM432

Уровень звукового давления (L_{PA}): 81 дБ (A)
Уровень звуковой мощности (L_{WA}): 92 дБ (A)
Погрешность (K): 3 дБ (A)

ПРИМЕЧАНИЕ: Заявленное значение распространения шума измерено в соответствии со стандартной методикой испытаний и может быть использовано для сравнения инструментов.

ПРИМЕЧАНИЕ: Заявленное значение распространения шума можно также использовать для предварительных оценок воздействия.

⚠ОСТОРОЖНО: Используйте средства защиты слуха.

⚠ОСТОРОЖНО: Распространение шума во время фактического использования электроинструмента может отличаться от заявленного значения в зависимости от способа применения инструмента и в особенности от типа обрабатываемой детали.

⚠ОСТОРОЖНО: Обязательно определите меры безопасности для защиты оператора, основанные на оценке воздействия в реальных условиях использования (с учетом всех этапов рабочего цикла, таких как выключение инструмента, работа без нагрузки и включение).

Вибрация

Суммарное значение вибрации (сумма векторов по трем осям), определенное в соответствии с EN60335-2-77:

Модель DLM382

Распространение вибрации (a_h): 2,5 м/с² или менее
Погрешность (K): 2,0 м/с²

Модель DLM432

Распространение вибрации (a_h): 2,5 м/с² или менее
Погрешность (K): 1,5 м/с²

ПРИМЕЧАНИЕ: Заявленное общее значение распространения вибрации измерено в соответствии со стандартной методикой испытаний и может быть использовано для сравнения инструментов.

ПРИМЕЧАНИЕ: Заявленное общее значение распространения вибрации можно также использовать для предварительных оценок воздействия.

⚠ОСТОРОЖНО: Распространение вибрации во время фактического использования электроинструмента может отличаться от заявленного значения в зависимости от способа применения инструмента и в особенности от типа обрабатываемой детали.

⚠ОСТОРОЖНО: Обязательно определите меры безопасности для защиты оператора, основанные на оценке воздействия в реальных условиях использования (с учетом всех этапов рабочего цикла, таких как выключение инструмента, работа без нагрузки и включение).

Декларация о соответствии ЕС

Только для европейских стран

Декларация о соответствии ЕС включена в руководство по эксплуатации (Приложение А).

МЕРЫ БЕЗОПАСНОСТИ

ВАЖНЫЕ ИНСТРУКЦИИ ПО ТЕХНИКЕ БЕЗОПАСНОСТИ

⚠ОСТОРОЖНО: Ознакомьтесь со всеми инструкциями и рекомендациями по технике безопасности. Невыполнение инструкций и рекомендаций может привести к поражению электротоком, пожару и/или тяжелым травмам.

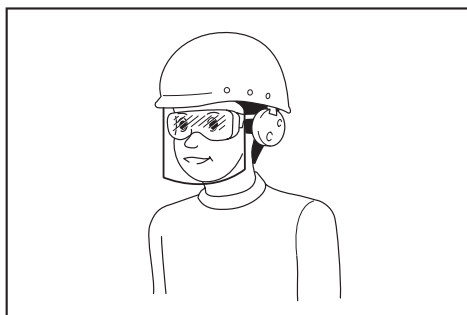
Сохраните брошюру с инструкциями и рекомендациями для дальнейшего использования.

Инструктаж

1. Внимательно прочитайте инструкции. Ознакомьтесь со всеми элементами управления и правилами надлежащей эксплуатации газонокосилки.
2. Не разрешайте детям и лицам, не знакомым с данными инструкциями, пользоваться косилкой. В местном законодательстве могут существовать возрастные ограничения для операторов.
3. Запрещается эксплуатировать газонокосилку, если поблизости находятся люди (в особенности дети) или животные.
4. Помните, что оператор/пользователь несет ответственность за происшествия и опасные ситуации с другими людьми или их собственностью.
5. Следует следить за маленькими детьми, чтобы они не использовали газонокосилку в качестве игрушки.
6. Физическое состояние – не эксплуатируйте газонокосилку, находясь под действием наркотиков, алкоголя или лекарств.

Подготовка

1. На время эксплуатации косилки обязательно надевайте прочную обувь и длинные брюки. Не пользуйтесь оборудованием босиком или в открытых сандалиях. Не следует носить галстук, свободную одежду или украшения, а также одежду, украшенную свисающими шнурами. Их может затянуть движущимися деталями.
2. Перед началом работы визуально осматривайте газонокосилку на предмет поврежденных, отсутствующих или неправильно установленных ограждений или экранов.
3. Перед началом работы убедитесь, что поблизости никого нет. Если кто-либо приблизился, выключите газонокосилку.
4. Не вставляйте ключ блокировки в газонокосилку, пока она не будет готова к эксплуатации.
5. Во время работы с электроинструментом всегда надевайте защитные очки. Очки должны соответствовать ANSI Z87.1 для США, EN 166 для Европы, или AS/NZS 1336 для Австралии и Новой Зеландии. В Австралии и Новой Зеландии оператор также обязан носить защитную маску.



Ответственность за использование средств защиты операторами и другим персоналом вблизи рабочей зоны возлагается на работодателя.

6. Перед эксплуатацией тщательно осмотрите лезвия и болты лезвий и убедитесь в отсутствии трещин или повреждений. Немедленно замените треснувшие или поврежденные лезвия или болты лезвий.
7. Перед началом работы очистите площадку от посторонних предметов (камней, проволоки, бутылок, костей и больших палок), чтобы не допустить травм или повреждения газонокосилки.
8. Предметы, отброшенные лезвием газонокосилки, могут нанести тяжелые травмы. Перед началом работы необходимо тщательно осмотреть газон и очистить его от всех предметов.
9. Осматривайте газон на предмет углублений, колеи, ухабов, камней или других скрытых предметов. Неровности поверхности могут стать причиной подкальзывания и падения. Высокая трава может скрывать препятствия.

Эксплуатация

1. Во время работы с устройством не тянитесь. Всегда сохраняйте равновесие. При работе на склонах занимайте устойчивое положение. Передвигайтесь шагом, не бегите.
2. Остановите газонокосилку, извлеките ключ блокировки и убедитесь в том, что все движущиеся части полностью остановились, если:
 - оставляете машину;
 - планируете устранять засоры и удалять предметы, закупорившие желоб;
 - собираетесь проверять, очищать оборудование или выполнять его обслуживание;
 - оборудование ударилось о посторонний предмет. Перед повторным запуском осмотрите машину на предмет повреждений и устраните неисправность:
3. Запрещается использовать машину с неисправными ограждениями и экранами или без защитных приспособлений, например дефлекторов или бункера для сбора травы.
4. Не рекомендуется использовать газонокосилку в неблагоприятных погодных условиях, особенно если существует риск удара молнии.
5. При эксплуатации газонокосилки обязательно носите средства защиты глаз и прочную обувь.
6. Используйте устройство только в дневное время или при хорошем искусственном освещении.
7. Осторожно включайте газонокосилку в соответствии с инструкциями, ноги при этом должны находиться как можно дальше от лезвий.
8. Соблюдайте меры безопасности во избежание травмирования ног и рук лезвием газонокосилки.
9. Следите за тем, чтобы вентиляционные отверстия не были засорены.
10. Выполняйте стрижку газонов поперек склона, а не вниз-вверх. Соблюдайте особую осторожность, меняя направление движения на склонах. Не выполняйте стрижку чересчур крутых склонов.
11. Соблюдайте особую осторожность, перемещая газонокосилку задним ходом или подтягивая ее к себе.
12. Обязательно остановите лезвие(я), если машину необходимо наклонить для транспортировки по поверхности, отличной от травы, либо при транспортировке машины к месту эксплуатации и обратно.
13. Не наклоняйте машину при включении двигателя, кроме случаев, когда ее необходимо наклонять для пуска. В этом случае наклоняйте ее на минимально необходимый угол и поднимайте только дальнюю от оператора часть. При опускании газонокосилки на землю всегда крепко держите рукоятку обеими руками.
14. Не помещайте руки или ноги под вращающиеся детали или вблизи них. Никогда не становитесь перед разгрузочным отверстием.
15. Не транспортируйте включенную газонокосилку.
16. Не рекомендуется использовать машину на мокрой траве.
17. Запрещается использовать газонокосилку во время дождя.
18. Постоянно надежно удерживайте рукоятку.
19. Поднимая или удерживая косилку, не беритесь за оголенные ножи или режущие кромки.
20. Не приближайте руки и ноги к вращающимся ножам. Внимание - лезвия продолжают вращаться после отключения газонокосилки.
21. Немедленно прекратите выполнение операции, если заметите отклонения в работе. Выключите газонокосилку и извлеките ключ блокировки. Затем осмотрите газонокосилку.
22. Запрещается регулировать высоту скашивания во время движения газонокосилки (если газонокосилка позволяет регулировать высоту скашивания).
23. Отпустите рычажный выключатель и дождитесь остановки лезвия, прежде чем переходить улицы, пешеходные дорожки, дороги и любые области с гравийным покрытием. Кроме того, извлекайте ключ блокировки, если выпускаете газонокосилку из рук, нагибаетесь, чтобы подобрать или убрать что-либо с дороги, или по любой другой причине, которая может отвлечь вас от работы.
24. Если газонокосилка ударилась о посторонний предмет, выполните следующее:
 - выключите газонокосилку, отпустите рычажный выключатель и дождитесь полной остановки лезвия;
 - Извлеките ключ блокировки и блок аккумулятора.
 - внимательно осмотрите газонокосилку на предмет повреждений;

- замените лезвие, если оно повреждено.

Устраните повреждения, прежде чем перезапустить газонокосилку и возобновлять работу.

25. Не включайте двигатель, стоя перед разгруженным отверстием.
26. Если начинается непредусмотренная вибрация машины (немедленно проверьте)
 - осмотрите на предмет повреждений;
 - замените или отремонтируйте поврежденные детали;
 - проверьте на предмет ослабленных деталей и подтяните их.
27. Не направляйте поток срезанного материала на людей. Не направляйте поток срезанного материала на стену или какой-либо предмет. Срезанный материал может отскочить в сторону оператора. Остановите лезвия на время транспортировки по поверхности из гравия.
28. Не тяните газонокосилку назад без крайней необходимости. Если необходимо отвести косилку от забора или другого аналогичного препятствия, смотрите вниз и назад до начала движения, а также время движения назад.
29. Прежде чем снимать травосборник, отключите двигатель и подождите, пока лезвие полностью остановится. Имейте в виду, что лезвия продолжают вращаться после отключения.

Техническое обслуживание и хранение

1. Чтобы обеспечить безопасность, заменяйте изношенные и поврежденные детали. Используйте только оригинальные сменные части и приспособления.
2. Регулярно осматривайте и выполняйте техническое обслуживание газонокосилки.
3. Когда газонокосилка не используется, храните ее в недоступном для детей месте.
4. Все гайки, болты и винты должны быть надежно затянуты — это обеспечит безопасность и работоспособность.
5. Чаще проверяйте корзину для травы на предмет износа или повреждений. Помещаю устройство на хранение, обязательно очистите корзину для травы. Для обеспечения безопасности замените изношенную корзину для травы на новую.
6. Пользуйтесь только оригинальными лезвиями производителя, указанными в данном руководстве.
7. Соблюдайте осторожность при регулировке газонокосилки, чтобы не допустить защемления пальцев между движущимися лезвиями и неподвижными деталями машины.
8. Не мойте машину из шланга; не допускайте попадания воды в двигатель и на электрические разъемы.
9. Чаще проверяйте надежность затяжки болта крепления лезвия.
10. Перед постановкой на хранение дайте косилке остыть.
11. При обслуживании лезвий следует помнить, что лезвия могут двигаться даже при отключенном питании.
12. Не удаляйте предохранительные устройства и не вносите в них изменения. Регулярно проверяйте правильность их работы. Не предпринимайте никаких действий, которые могут повлиять на функционирование предохранительного устройства или снизить степень защиты, обеспечиваемой предохранительным устройством.

Эксплуатация и обслуживание электроинструмента, работающего на аккумуляторах

1. Заряжайте аккумулятор только зарядным устройством, указанным изготовителем. Зарядное устройство, подходящее для одного типа аккумуляторов, может привести к пожару при его использовании с другим аккумуляторным блоком.
2. Используйте электроинструмент только с указанными аккумуляторными блоками. Использование других аккумуляторных блоков может привести к травме или пожару.
3. Когда аккумуляторный блок не используется, храните его отдельно от металлических предметов, таких как скрепки, монеты, ключи, гвозди, шурупы или другие небольшие металлические предметы, которые могут привести к закорачиванию контактов аккумуляторного блока между собой. Короткое замыкание между контактами аккумуляторного блока может привести к ожогам или пожару.
4. При неправильном обращении из аккумуляторного блока может потечь жидкость. Избегайте контакта с ней. В случае контакта с кожей промойте место контакта обильным количеством воды. В случае попадания в глаза обратитесь к врачу. Жидкость из аккумулятора может вызвать раздражение или ожоги.
5. Не используйте поврежденные или модифицированные инструменты и аккумуляторные блоки. Поврежденные или модифицированные аккумуляторы могут работать некорректно, что может привести к пожару, взрыву или травмированию.
6. Не подвергайте аккумуляторный блок или инструмент воздействию огня или высокой температуры. Воздействие огня или температуры выше 130 °C может привести к взрыву.
7. Следуйте всем инструкциям по зарядке и не заряжайте аккумуляторный блок или инструмент при температурных условиях, выходящих за пределы диапазона, указанного в инструкции. Зарядка ненадлежащим образом или при температурных условиях, выходящих за пределы указанного диапазона, может привести к повреждению батареи и повысить риск пожара.

Электробезопасность

1. Не бросайте аккумуляторные блоки в огонь. Они могут взорваться. Уточните местные правила утилизации аккумуляторов.
2. Не вскрывайте и не разбивайте аккумуляторы. Содержащийся в них электролит очень едкий, вы можете повредить глаза или кожу. При проглатывании это вещество может вызвать отравление.
3. Не заряжайте аккумулятор под дождем или в местах с повышенной влажностью.
4. Не заряжайте аккумулятор на улице.
5. Не касайтесь зарядного устройства, а также штекера и контактов зарядного устройства влажными руками.

Сервисное обслуживание

1. Сервисное обслуживание электроинструмента должно проводиться только квалифицированным специалистом по ремонту и только с использованием идентичных запасных частей. Это позволит обеспечить безопасность электроинструмента.

2. Запрещается обслуживать поврежденные аккумуляторные блоки. Обслуживание аккумуляторных блоков должен осуществлять только производитель или авторизованные поставщики услуг.

СОХРАНИТЕ ДАННЫЕ ИНСТРУКЦИИ.

▲ОСТОРОЖНО: НЕ ДОПУСКАЙТЕ, чтобы удобство или опыт эксплуатации данного устройства (полученный от многократного использования) доминировали над строгим соблюдением правил техники безопасности при обращении с этим устройством.

НЕПРАВИЛЬНОЕ ИСПОЛЬЗОВАНИЕ инструмента или несоблюдение правил техники безопасности, указанных в данном руководстве, может привести к тяжелой травме.

Важные правила техники безопасности для работы с аккумуляторным блоком

1. Перед использованием аккумуляторного блока прочитайте все инструкции и предупреждающие надписи на (1) зарядном устройстве, (2) аккумуляторном блоке и (3) инструменте, работающем от аккумуляторного блока.
2. Не разбирайте аккумуляторный блок.
3. Если время работы аккумуляторного блока значительно сократилось, немедленно прекратите работу. В противном случае, может возникнуть перегрев блока, что приведет к ожогам и даже к взрыву.
4. В случае попадания электролита в глаза промойте их обильным количеством чистой воды и немедленно обратитесь к врачу. Это может привести к потере зрения.
5. Не замыкайте контакты аккумуляторного блока между собой:
 - (1) Не прикасайтесь к контактам какими-либо токопроводящими предметами.
 - (2) Не храните аккумуляторный блок в контейнере вместе с другими металлическими предметами, такими как гвозди, монеты и т. п.
 - (3) Не допускайте попадания на аккумуляторный блок воды или дождя.Замыкание контактов аккумуляторного блока между собой может привести к возникновению большого тока, перегреву, возможным ожогам и даже поломке блока.
6. Не храните инструмент и аккумуляторный блок в местах, где температура может достигать или превышать 50 °C (122 °F).
7. Не бросайте аккумуляторный блок в огонь, даже если он сильно поврежден или полностью вышел из строя. Аккумуляторный блок может взорваться под действием огня.
8. Не роняйте и не ударяйте аккумуляторный блок.
9. Не используйте поврежденный аккумуляторный блок.

10. Входящие в комплект литий-ионные аккумуляторы должны эксплуатироваться в соответствии с требованиями законодательства об опасных товарах.

При коммерческой транспортировке, например, третьей стороной или экспедитором, необходимо нанести на упаковку специальные предупреждения и маркировку.

В процессе подготовки устройств со отправке обязательно проконсультируйтесь со специалистом по опасным материалам. Также соблюдайте местные требования и нормы. Они могут быть строже.

Закройте или закрепите разомкнутые контакты и упакуйте аккумулятор так, чтобы он не перемещался по упаковке.

11. Для утилизации блока аккумулятора извлеките его из инструмента и утилизируйте безопасным способом. Выполняйте требования местного законодательства по утилизации аккумуляторного блока.
12. Используйте аккумуляторы только с продукцией, указанной Makita. Установка аккумуляторов на продукцию, не соответствующую требованиям, может привести к пожару, перегреву, взрыву или утечке электролита.
13. Если инструментом не будут пользоваться в течение длительного периода времени, извлеките аккумулятор из инструмента.

СОХРАНИТЕ ДАННЫЕ ИНСТРУКЦИИ.

▲ВНИМАНИЕ: Используйте только фирменные аккумуляторные батареи Makita.

Использование аккумуляторных батарей, не произведенных Makita, или батарей, которые были подвергнуты модификациям, может привести к взрыву аккумулятора, пожару, травмам и повреждению имущества. Это также автоматически аннулирует гарантию Makita на инструмент и зарядное устройство Makita.

Советы по обеспечению максимального срока службы аккумулятора

1. Заряжайте блок аккумуляторов перед его полной разрядкой. Обязательно прекратите работу с инструментом и зарядите блок аккумуляторов, если вы заметили снижение мощности инструмента.
2. Никогда не подзаряжайте полностью заряженный блок аккумуляторов. Перезарядка сокращает срок службы аккумулятора.
3. Заряжайте блок аккумуляторов при комнатной температуре в 10 - 40 °C (50 - 104 °F). Перед зарядкой горячего блока аккумуляторов дайте ему остыть.
4. Зарядите ионно-литиевый аккумуляторный блок, если вы не будете пользоваться инструментом длительное время (более шести месяцев).

СБОРКА

⚠ОСТОРОЖНО: Прежде чем выполнять какие-либо операции с газонокосилкой, убедитесь, что ключ блокировки и блок аккумулятора извлечены. Несоблюдение этого требования может привести к тяжелой травме в результате случайного пуска инструмента.

⚠ОСТОРОЖНО: Не запускайте частично собранную газонокосилку. Использование машины в частично собранном виде может стать причиной тяжелой травмы в результате случайного пуска.

Установка крышки аккумулятора

⚠ОСТОРОЖНО: Устанавливайте ключ блокировки и блок аккумулятора только после установки крышки аккумулятора. Несоблюдение этого требования может привести к серьезной травме.

Перед эксплуатацией инструмента полностью установите крышку аккумулятора. Крышка аккумулятора защищает газонокосилку и блок аккумулятора от грязи, пыли и воды.

1. Расположите крышку аккумулятора таким образом, чтобы выступы на косилке совместились с отверстиями в крышке.

► **Рис.1:** 1. Выступ 2. Отверстие 3. Крышка аккумуляторной батареи

2. Нажмите руками на середину крышки аккумулятора.

3. Перед первым включением убедитесь, что петли крышки аккумулятора собраны правильно. Если крышка аккумулятора установлена верно, она не будет открываться, пока вы не нажмете на стопорный рычаг.

► **Рис.3:** 1. Петля 2. Стопорный рычаг крышки аккумулятора

Установка рукоятки

ПРИМЕЧАНИЕ: При установке рукояток расположите провода так, чтобы они не защемлялись между рукоятками. Если шнур поврежден, выключатель косилки не будет работать.

1. Установите оба конца нижней рукоятки в пазы газонокосилки и полностью затяните зажимные винты.

► **Рис.4:** 1. Зажимной винт 2. Нижняя рукоятка

2. Выровняйте отверстия под винты верхней и нижней рукояток. Зафиксируйте их при помощи зажимных винтов и гаек.

► **Рис.5:** 1. Зажимная гайка 2. Зажимной винт

ПРИМЕЧАНИЕ: Удерживайте верхнюю рукоятку ровно, чтобы она не выскальзывала из вашей руки.

3. Присоедините держатели к рукоятке. Расположите шнур подачи питания, как показано на рисунке.

► **Рис.6:** 1. Держатель

Удаление вставки для мульчирования

Дополнительные принадлежности

1. Откройте заднюю крышку.

► **Рис.7:** 1. Задняя крышка

2. Удерживайте вставку для мульчирования за рукоятку и извлеките ее из корпуса газонокосилки, как показано на рисунке.

► **Рис.8:** 1. Вставка для мульчирования 2. Рукоятка

Установка корзины для травы

1. Откройте заднюю крышку.

► **Рис.9:** 1. Задняя крышка

2. Установите корзину для травы на стержень корпуса газонокосилки, как указано на рисунке.

► **Рис.10:** 1. Крючок 2. Шток 3. Корзина для травы

Установка вставки для мульчирования

Дополнительные принадлежности

1. Откройте заднюю крышку и снимите корзину для травы.

► **Рис.11:** 1. Задняя крышка 2. Корзина для травы

2. Удерживайте вставку для мульчирования за рукоятку и вставьте ее в корпус газонокосилки, как показано на рисунке.

► **Рис.12:** 1. Вставка для мульчирования 2. Рукоятка

ОПИСАНИЕ РАБОТЫ

Установка или снятие блока аккумуляторов

⚠ВНИМАНИЕ: Перед установкой и извлечением блока аккумулятора выключайте машину.

⚠ВНИМАНИЕ: Перед использованием убедитесь, что заперли крышку блока аккумулятора. В противном случае грязь, мусор или вода могут повредить изделие или блок аккумулятора.

⚠ВНИМАНИЕ: Обязательно устанавливайте блок аккумулятора до конца, чтобы красный индикатор не был виден. В противном случае блок может выпасть из машины и нанести травму вам или другим людям.

⚠ВНИМАНИЕ: Не прилагайте чрезмерных усилий при установке блока аккумулятора. Если блок не двигается свободно, значит он вставлен неправильно.

ПРИМЕЧАНИЕ: Машина не будет работать только с одним блоком аккумулятора.

Чтобы установить блок аккумулятора:

1. Сдвиньте рычаг блокировки крышки аккумулятора и откройте крышку.

► **Рис.13:** 1. Крышка аккумуляторной батареи 2. Стопорный рычаг крышки аккумулятора

2. Совместите язычок на блоке аккумулятора с канавкой на газонокосилке, затем вставьте блок до щелчка.

► **Рис.14:** 1. Блок аккумулятора

3. Вставьте ключ блокировки до упора в точку, показанной на рисунке.

► **Рис.15:** 1. Ключ блокировки

4. Закройте крышку аккумулятора и нажмите на нее до фиксации рычагом блокировки.

Чтобы извлечь блок аккумулятора из газонокосилки:

1. Сдвиньте рычаг блокировки крышки аккумулятора и откройте крышку.

2. Потяните блок аккумулятора, удерживая нажатой кнопку на лицевой стороне, и извлеките блок.

3. Извлеките ключ блокировки.

4. Закройте крышку аккумулятора.

Система защиты машины / аккумулятора

На машине предусмотрена система защиты машины / аккумулятора. Система автоматически отключает питание двигателя для продления срока службы инструмента и аккумулятора. Машина автоматически отключится в указанных далее случаях, влияющих на работу самой машины или аккумулятора.

Защита от перегрузки

Если из-за способа эксплуатации машина потребляет очень большое количество тока, она автоматически остановится без включения каких-либо индикаторов. В этом случае отключите машину и прекратите работу, из-за которой произошла перегрузка. Затем включите машину для перезапуска.

Защита от перегрева

При перегреве машина останавливается автоматически. Дайте ей остыть перед повторным включением.

Защита от переразрядки

При истощении заряда аккумулятора машина автоматически останавливается. Если устройство не работает даже после нажатия переключателей, снимите аккумуляторы с машины и зарядите их.

Индикация оставшегося заряда аккумулятора

► **Рис.16:** 1. Индикатор аккумулятора

При низком заряде аккумулятора индикатор аккумулятора начинает мигать на соответствующей стороне аккумулятора. При дальнейшем использовании машина останавливается, а индикатор аккумулятора включается примерно на 10 секунд. В этом случае следует зарядить блок аккумулятора.

Индикация оставшегося заряда аккумулятора

Только для блоков аккумулятора с индикатором

► **Рис.17:** 1. Индикаторы 2. Кнопка проверки

Нажмите кнопку проверки на аккумуляторном блоке для проверки заряда. Индикаторы загорятся на несколько секунд.

| Индикаторы | | | Уровень заряда |
|------------|-------|--------|--|
| Горит | Выкл. | Мигает | |
| ■ | □ | ▧ | от 75 до 100% |
| ■ | ■ | □ | от 50 до 75% |
| ■ | □ | □ | от 25 до 50% |
| ■ | □ | □ | от 0 до 25% |
| ▧ | □ | □ | Зарядите аккумуляторную батарею. |
| ■ | ■ | □ | Возможно, аккумуляторная батарея неисправна. |
| □ | □ | ■ | |

ПРИМЕЧАНИЕ: В зависимости от условий эксплуатации и температуры окружающего воздуха индикация может незначительно отличаться от фактического значения.

Действие выключателя

⚠ОСТОРОЖНО: Перед установкой блока аккумулятора обязательно убедитесь в том, что рычажный выключатель работает правильно и возвращается в исходное положение после отпущения. Эксплуатация машины с неисправным переключателем может привести к потере контроля над ней и получению тяжелой травмы.

ПРИМЕЧАНИЕ: Если не нажать кнопку включения, газонокосилка не запустится, даже если потянуть рычажный выключатель.

ПРИМЕЧАНИЕ: Газонокосилка может не запуститься по причине перегрузки, если вы косите высокую или густую траву. В таком случае увеличьте высоту стрижки.

Данная газонокосилка оснащена выключателем блокировки и ручкой с выключателем. Заметив какие-либо отклонения в работе любого из этих выключателей, немедленно прекратите работу и проверьте их в ближайшем авторизованном сервисном центре Makita.

1. Установите блоки аккумуляторов. Вставьте ключ блокировки в выключатель блокировки и закройте крышку аккумулятора.

► **Рис.18:** 1. Блок аккумулятора 2. Ключ блокировки

2. Нажмите и удерживайте кнопку включения.

3. Возьмите верхнюю рукоятку и потяните рычажный переключатель.

► **Рис.19:** 1. Кнопка включения 2. Рычаг переключателя

4. Как только двигатель заработает, отпустите кнопку включения. Газонокосилка продолжит работать до тех пор, пока вы не отпустите рычажный выключатель.

5. Для выключения двигателя отпустите рычажный выключатель.

Регулировка высоты стрижки

▲ОСТОРОЖНО: При регулировке высоты стрижки не подсовывайте руку или ногу под газонокосилку.

▲ОСТОРОЖНО: Перед началом работы обязательно проверяйте, что рычаг хорошо входит в паз.

Высоту скашивания можно регулировать в диапазоне от 20 мм до 75 мм.

1. Извлеките ключ блокировки.

2. Потяните рычаг регулировки высоты стрижки к внешней стороне корпуса косилки и переведите его на нужную высоту.

► **Рис.20:** 1. Рычаг регулировки высоты стрижки

ПРИМЕЧАНИЕ: Значения высоты стрижки приведены только для справки. В зависимости от состояния газона и почвы конечная высота скошенной травы может незначительно отличаться от заданной.

ПРИМЕЧАНИЕ: Чтобы добиться желаемой высоты, выполните пробное скашивание на не слишком заметном участке газона.

Индикатор уровня травы

► **Рис.21:** 1. Индикатор уровня травы

Индикатор уровня травы показывает объем скошенной травы.

- Если корзина для травы не заполнена до верха, индикатор во время работы плавает.
- Если корзина для травы заполнена, индикатор во время работы неподвижен. В этом случае немедленно прекратите скашивание и опорожните корзину. Опорожните корзину, очистите ее, чтобы воздух легко проходил через сетку.

ПРИМЕЧАНИЕ: Данный индикатор показывает приблизительный объем. В зависимости от условий внутри корзины индикатор может работать с ошибками.

Использование вставки для мульчирования

Дополнительные принадлежности

Вставка для мульчирования позволяет сбрасывать измельченную траву обратно на газон без сбора в корзину для травы. При работе с машиной, на которой установлена вставка для мульчирования, снимите корзину для травы.

ПРИМЕЧАНИЕ: При использовании машины со вставкой для мульчирования убедитесь в том, что общая длина травы составляет не менее 30 мм или длина среза не превышает 15 мм.

► **Рис.22:** (1) 30 мм или больше (2) 15 мм или меньше

ЭКСПЛУАТАЦИЯ

Скашивание

▲ОСТОРОЖНО: Перед скашиванием убедитесь с газона ветки и камни. Кроме того, заблаговременно очистите газон от сорняков.

▲ОСТОРОЖНО: При использовании газонокосилки обязательно надевайте защитные очки с боковыми щитками.

▲ВНИМАНИЕ: Если внутри корпуса газонокосилки набилась скошенная трава или посторонние предметы, перед очисткой корпуса обязательно вытащите ключ блокировки и блок аккумулятора и наденьте перчатки.

ПРИМЕЧАНИЕ: Используйте машину только для стрижки газонов. Не используйте ее для скашивания сорняков.

► **Рис.23**

Во время работы крепко удерживайте рукоятку обеими руками.

Рекомендованная скорость кошения составляет приблизительно 1 м за 4 с.

► **Рис.24**

Внешние края передних колес служат ориентиром ширины полосы скашивания. Используйте внешние края передних колес в качестве ориентиров, косите полосами. Чтобы равномерно подстричь газон, захватывайте половину или третью часть предыдущей полосы.

► **Рис.25:** 1. Ширина скашивания 2. Зона захвата 3. Внешние края

Каждый раз меняйте направление движения, чтобы избежать пригибания травы в одном направлении.

► **Рис.26**

Периодически проверяйте степень заполнения корзины для травы. Опорожните корзину, прежде чем она заполнится полностью. Перед каждой проверкой обязательно останавливайте газонокосилку и извлеките ключ блокировки и блок аккумулятора.

ПРИМЕЧАНИЕ: Эксплуатация газонокосилки с заполненной корзиной для травы мешает плавному вращению лезвия и оказывает дополнительную нагрузку на двигатель, что может привести к поломке.

Скашивание высокой травы

Не старайтесь скосить длинную траву за один проход. Вместо этого выполняйте работу в несколько этапов. Скашивайте газон с интервалом в один или два дня до тех пор, пока он не станет ровным.

ПРИМЕЧАНИЕ: Скашивание высокой травы за один проход может стать причиной ее засыхания. Скошенная трава также может застрять в корпусе косилки.

Опорожнение корзины для травы

▲ОСТОРОЖНО: Чтобы снизить риск несчастного случая, регулярно проверяйте корзину для травы на предмет повреждений и потери прочности. При необходимости замените ее.

1. Отпустите рычажный выключатель.
2. Извлеките ключ блокировки.
3. Откройте заднюю крышку и извлеките корзину для травы за специальную рукоятку.
▶ **Рис.27:** 1. Задняя крышка 2. Ручка
4. Опорожните корзину для травы.

ОБСЛУЖИВАНИЕ

▲ОСТОРОЖНО: Перед помещением на хранение, переноской, осмотром или техническим обслуживанием газонокосилки обязательно вынимайте ключ блокировки и блок аккумулятора.

▲ОСТОРОЖНО: Если газонокосилка не используется, обязательно извлеките ключ блокировки. Храните ключ блокировки в безопасном месте, недоступном для детей.

▲ОСТОРОЖНО: При осмотре и обслуживании надевайте защитные перчатки.

▲ОСТОРОЖНО: При осмотре и техническом обслуживании газонокосилки обязательно надевайте защитные очки с боковыми щитками.

ПРИМЕЧАНИЕ: Запрещается использовать бензин, растворители, спирт и другие подобные жидкости. Это может привести к обесцвечиванию, деформации и трещинам.

Для обеспечения БЕЗОПАСНОСТИ и НАДЕЖНОСТИ оборудования ремонт, любое другое техобслуживание или регулировку необходимо производить в уполномоченных сервис-центрах Makita или сервис-центрах предприятия с использованием только сменных частей производства Makita.

Обслуживание

1. Извлеките ключ блокировки. Храните его в безопасном месте, недоступном для детей.
2. Очистите газонокосилку влажной тряпкой. При очистке газонокосилки не распыляйте на нее воду и не поливайте ее водой.
3. Положите газонокосилку на бок и очистите обрезки травы, скопившиеся на днище.
4. Проверьте надежность затяжки всех гаек, болтов, рукояток, винтов, креплений и т. п.
5. Осмотрите подвижные части на предмет повреждений, поломок и износа. Необходимо отремонтировать или заменить поврежденные компоненты.

Хранение

▲ОСТОРОЖНО: При переноске газонокосилки или помещении на хранение беритесь не за сложенные рукоятки, а за переднюю ручку. В противном случае можно повредить сложенные рукоятки или получить тяжелую травму.

Перед помещением газонокосилки на хранение извлеките блок аккумулятора и ключ блокировки. Храните газонокосилку в помещении, в сухом, прохладном, запираемом месте. Не храните газонокосилку и зарядное устройство в местах, где температура может подниматься до 40 °C и выше.

▶ **Рис.28:** 1. Передняя рукоятка 2. Задняя рукоятка

1. Ослабьте зажимные винты и раздвиньте нижнюю рукоятку с обеих сторон. Переместите переднюю рукоятку вниз. В этот момент надежно удерживайте нижнюю рукоятку, чтобы она не упала далеко от корпуса косилки.

▶ **Рис.29:** 1. Зажимной винт 2. Нижняя рукоятка

2. Ослабьте зажимные гайки и поверните верхнюю рукоятку назад, выдвигая с обеих сторон.

▶ **Рис.30:** 1. Зажимная гайка 2. Верхняя рукоятка

3. Храните корзину для травы между рукояткой и корпусом газонокосилки.

▶ **Рис.31:** 1. Корзина для травы

ПРИМЕЧАНИЕ: При установке газонокосилки в вертикальное положение не беритесь за рукоятку, а используйте переднюю ручку.

Снятие или установка лезвия косилки

▲ОСТОРОЖНО: Обязательно извлекайте ключ блокировки и блок аккумулятора при снятии и установке лезвия. Невыполнение этого требования может привести к тяжелой травме.

▲ОСТОРОЖНО: После отпущения выключателя лезвие продолжает вращаться по инерции в течение нескольких секунд. Не приступайте к выполнению каких-либо операций, пока лезвие полностью не остановится.

▲ОСТОРОЖНО: При работе с лезвием обязательно надевайте защитные перчатки.

Снятие лезвия газонокосилки

Модель DLM382

1. Положите газонокосилку на бок, чтобы рычаг регулировки высоты стрижки оказался сверху.
2. Чтобы заблокировать вращение лезвия, вставьте отвертку или аналогичный инструмент в отверстие на корпусе газонокосилки.
3. Поверните болт гаечным ключом против часовой стрелки.
▶ **Рис.32:** 1. Лезвие газонокосилки 2. Шуруповерт 3. Гаечный ключ
4. Последовательно извлеките болт и лезвие газонокосилки.
▶ **Рис.33:** 1. Опора лезвия 2. Лезвие газонокосилки 3. Болт

Модель DLM432

1. Положите газонокосилку на бок, чтобы рычаг регулировки высоты стрижки оказался сверху.
2. Чтобы заблокировать вращение лезвия, вставьте отвертку или аналогичный инструмент в отверстие на корпусе газонокосилки.
3. Поверните болт гаечным ключом против часовой стрелки.
▶ **Рис.34:** 1. Лезвие газонокосилки 2. Шуруповерт 3. Гаечный ключ

4. Извлеките болт, наружный фланец, лезвие газонокосилки и внутренний фланец.

▶ **Рис.35:** 1. Внутренний фланец 2. Лезвие газонокосилки 3. Наружный фланец 4. Болт

Установка лезвия газонокосилки

Установка лезвия газонокосилки выполняется в порядке, обратном процедуре снятия.

⚠ОСТОРОЖНО: Осторожно установите лезвие газонокосилки. Лезвие имеет верхнюю и нижнюю сторону. Расположите лезвие так, чтобы стрелка, обозначающая направление вращения, указывала наружу.

⚠ОСТОРОЖНО: Надежно затяните болт по часовой стрелке, чтобы зафиксировать лезвие.

⚠ОСТОРОЖНО: Убедитесь в том, что лезвие газонокосилки и все крепежные детали установлены правильно и надежно затянуты.

⚠ОСТОРОЖНО: При замене лезвий всегда следуйте инструкциям, приведенным в руководстве по эксплуатации.

ПОИСК И УСТРАНЕНИЕ НЕИСПРАВНОСТЕЙ

Прежде чем обращаться по поводу ремонта, проведите осмотр самостоятельно. Если обнаружена неисправность, не указанная в руководстве, не пытайтесь разобрать инструмент. Обратитесь в один из авторизованных сервисных центров Makita, в которых для ремонта всегда используются оригинальные детали Makita.

| Состояние неисправности | Возможная причина (неисправности) | Способ устранения |
|---|--|---|
| Газонокосилка не запускается. | Не установлены два блока аккумуляторов. | Установите заряженные блоки аккумуляторов. |
| | Неисправен аккумулятор (под напряжением) | Зарядите блок аккумулятора. Если перезарядка не помогает, замените блок аккумулятора. |
| | Ключ блокировки не вставлен. | Вставьте ключ блокировки. |
| После непродолжительного использования двигатель останавливается. | Низкий уровень заряда аккумулятора. | Зарядите блок аккумулятора. Если перезарядка не помогает, замените блок аккумулятора. |
| | Установлена слишком малая высота срезания. | Увеличьте высоту срезания. |
| Двигатель не достигает максимальной частоты вращения. | Неправильно установлен блок аккумулятора. | Вставьте блок аккумулятора, как описано в этом руководстве. |
| | Заряд аккумулятора падает. | Зарядите блок аккумулятора. Если перезарядка не помогает, замените блок аккумулятора. |
| | Привод работает неправильно. | Обратитесь в местный авторизованный центр для ремонта. |
| Лезвие газонокосилки не вращается: ⇒ немедленно выключите косилку! | Посторонний объект (например, ветка) застрял у лезвия. | Удалите посторонний предмет. |
| | Привод работает неправильно. | Обратитесь в местный авторизованный центр для ремонта. |
| Сильная вибрация: ⇒ немедленно выключите косилку! | Лезвие разбалансировано, изношено слишком сильно или неравномерно. | Замените лезвие. |

ДОПОЛНИТЕЛЬНЫЕ ПРИНАДЛЕЖНОСТИ

⚠ ВНИМАНИЕ: Данные принадлежности или приспособления рекомендуются для использования с инструментом Makita, указанным в настоящем руководстве. Использование других принадлежностей или приспособлений может привести к получению травмы. Используйте принадлежность или приспособление только по указанному назначению.

Если вам необходимо содействие в получении дополнительной информации по этим принадлежностям, свяжитесь с вашим сервис-центром Makita.

- Лезвие газонокосилки
- Вставка для мульчирования
- Оригинальный аккумулятор и зарядное устройство Makita

ПРИМЕЧАНИЕ: Некоторые элементы списка могут входить в комплект инструмента в качестве стандартных приспособлений. Они могут отличаться в зависимости от страны.

Makita Europe N.V. Jan-Baptist Vinkstraat 2,
3070 Kortenberg, Belgium

Makita Corporation 3-11-8, Sumiyoshi-cho,
Anjo, Aichi 446-8502 Japan

www.makita.com

885748-988
EN, SV, NO, FI, LV,
LT, ET, RU
20190902