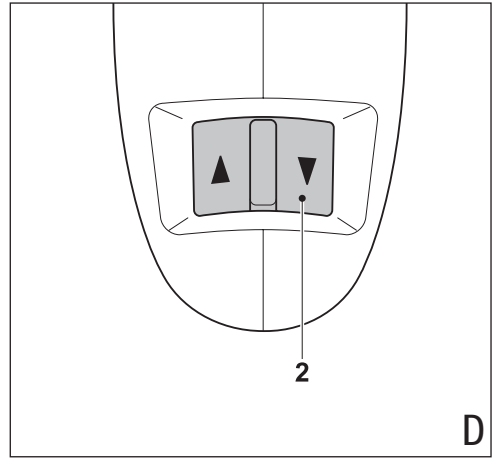
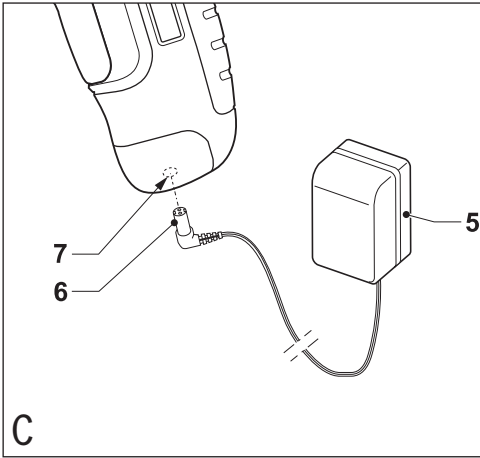
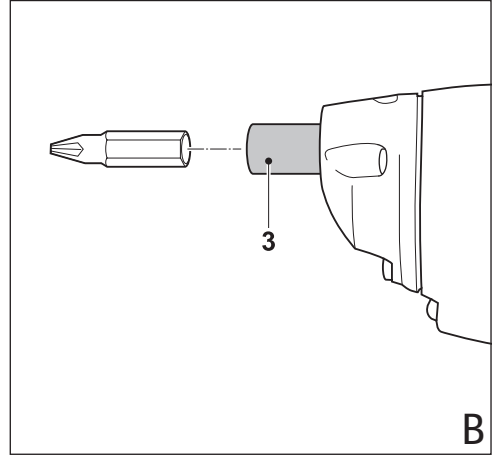
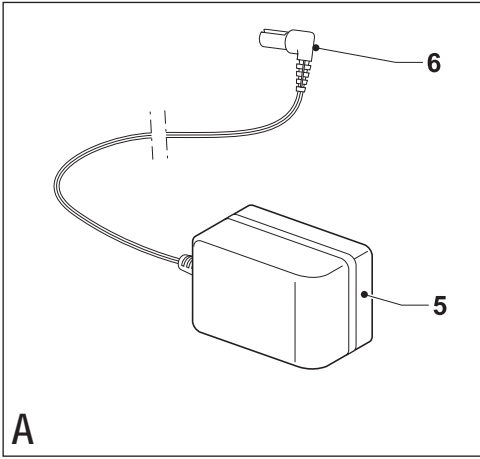


English	(Original instructions)	4
Deutsch	(Übersetzung der Originalanleitung)	10
Français	(Traduction des instructions d'origine)	17
Italiano	(Traduzione delle istruzioni originali)	23
Nederlands	(Vertaling van de originele instructies)	29
Español	(Traducción de las instrucciones originales)	35
Português	(Tradução das instruções originais)	42
Svenska	(Översättning av de ursprungliga anvisningarna)	48
Norsk	(Oversettelse av de opprinnelige instruksjonene)	54
Dansk	(Oversættelse af de originale instruktioner)	60
Suomi	(Alkuperäisten ohjeiden käännös)	66
Ελληνικά	(Μετάφραση των αρχικών οδηγιών)	72



## Intended use

Your Black & Decker compact screwdriver has been designed for screwdriving applications and for drilling in wood, metal and plastics. This tool is intended for consumer use only.

## Safety instructions

### General power tool safety warnings



**Warning!** Read all safety warnings and all instructions. Failure to follow the warnings and instructions listed below may result in electric shock, fire and/or serious injury.

Save all warnings and instructions for future reference.

The term "power tool" in all of the warnings listed below refers to your mains operated (corded) power tool or battery operated (cordless) power tool.

#### 1. Work area safety

- a. Keep work area clean and well lit. Cluttered or dark areas invite accidents.
- b. Do not operate power tools in explosive atmospheres, **such as in the presence of flammable liquids, gases or dust**. Power tools create sparks which may ignite the dust or fumes.
- c. Keep children and bystanders away while operating a power tool. Distractions can cause you to lose control.

#### 2. Electrical safety

- a. Power tool plugs must match the outlet. Never modify the plug in any way. Do not use any adapter plugs with earthed (grounded) power tools. Unmodified plugs and matching outlets will reduce risk of electric shock.
- b. Avoid body contact with earthed or grounded surfaces such as pipes, radiators, ranges and refrigerators. There is an increased risk of electric shock if your body is earthed or grounded.
- c. Do not expose power tools to rain or wet conditions. Water entering a power tool will increase the risk of electric shock.
- d. Do not abuse the cord. Never use the cord for carrying, pulling or unplugging the power tool. Keep cord away from heat, oil, sharp edges or moving parts. Damaged or entangled cords increase the risk of electric shock.
- e. When operating a power tool outdoors, use an extension cord suitable for outdoor use. Use of a cord suitable for outdoor use reduces the risk of electric shock.
- f. If operating a power tool in a damp location is unavoidable, use a residual current device (RCD) protected supply. Use of an RCD reduces the risk of electric shock.

#### 3. Personal safety

- a. Stay alert, watch what you are doing and use common sense when operating a power tool. Do not use a power tool while you are tired or under the influence of drugs, alcohol or medication. A moment of inattention while operating power tools may result in serious personal injury.
- b. Use personal protective equipment. Always wear eye protection. Protective equipment such as dust mask, non-skid safety shoes, hard hat, or hearing protection used for appropriate conditions will reduce personal injuries.
- c. Prevent unintentional starting. Ensure the switch is in the off-position before connecting to power source and/or battery pack, picking up or carrying the tool. Carrying power tools with your finger on the switch or energising power tools that have the switch on invites accidents.
- d. Remove any adjusting key or wrench before turning the power tool on. A wrench or a key left attached to a rotating part of the power tool may result in personal injury.
- e. Do not overreach. Keep proper footing and balance at all times. This enables better control of the power tool in unexpected situations.
- f. Dress properly. Do not wear loose clothing or jewellery. Keep your hair, clothing and gloves away from moving parts. Loose clothes, jewellery or long hair can be caught in moving parts.
- g. If devices are provided for the connection of dust extraction and collection facilities, ensure these are connected and properly used. Use of dust collection can reduce dust-related hazards.

#### 4. Power tool use and care

- a. Do not force the power tool. Use the correct power tool for your application. The correct power tool will do the job better and safer at the rate for which it was designed.
- b. Do not use the power tool if the switch does not turn it on and off. Any power tool that cannot be controlled with the switch is dangerous and must be repaired.
- c. Disconnect the plug from the power source and/or the battery pack from the power tool before making any adjustments, changing accessories, or storing power tools. Such preventive safety measures reduce the risk of starting the power tool accidentally.
- d. Store idle power tools out of the reach of children and do not allow persons unfamiliar with the power tool or these instructions to operate the power tool. Power tools are dangerous in the hands of untrained users.
- e. Maintain power tools. Check for misalignment or binding of moving parts, breakage of parts and any other condition that may affect the power tools operation. If damaged, have the power tool repaired before use. Many accidents are caused by poorly maintained power tools.

- f. Keep cutting tools sharp and clean. Properly maintained cutting tools with sharp cutting edges are less likely to bind and are easier to control.
  - g. Use the power tool, accessories and tool bits etc. in accordance with these instructions, taking into account the working conditions and the work to be performed. Use of the power tool for operations different from those intended could result in a hazardous situation.
5. Battery tool use and care
- a. **Recharge only with the charger specified by the manufacturer.** A charger that is suitable for one type of battery pack may create a risk of fire when used with another battery pack.
  - b. **Use power tools only with specifically designated battery packs.** Use of any other battery packs may create a risk of injury and fire.
  - c. When battery pack is not in use, keep it away from other metal objects, like paper clips, coins, keys, nails, screws, or other small metal objects, that can make a connection from one terminal to another. Shorting the battery terminals together may cause burns or a fire.
  - d. Under abusive conditions, liquid may be ejected from the battery; avoid contact. If contact accidentally occurs, flush with water. If liquid contacts eyes, additionally seek medical help. Liquid ejected from the battery may cause irritation or burns.
6. Service
- a. **Have your power tool serviced by a qualified repair person using only identical replacement parts.** This will ensure that the safety of the power tool is maintained.

### Additional power tool safety warnings



**Warning!** Additional safety warnings for screwdrivers and impact wrenches

- ◆ Hold power tool by insulated gripping surfaces when performing an operation where the fastener may contact hidden wiring or its own cord. Fasteners contacting a "live" wire may make exposed metal parts of the power tool "live" and shock the operator.
- ◆ Wear ear protectors with impact wrenches. Exposure to noise can cause hearing loss.
- ◆ Use auxiliary handles supplied with the tool. Loss of control can cause personal injury.
- ◆ Use clamps or another practical way to secure and support the workpiece to a stable platform. Holding the work by hand or against your body leaves it unstable and may lead to loss of control.
- ◆ Before driving fasteners into walls, floors or ceilings, check for the location of wiring and pipes.

- ◆ This tool is not intended for use by persons (including children) with reduced physical, sensory or mental capabilities, or lack of experience and knowledge, unless they have been given supervision or instruction concerning use of the appliance by a person responsible for their safety. Children should be supervised to ensure that they do not play with the appliance.
- ◆ The intended use is described in this instruction manual. The use of any accessory or attachment or performance of any operation with this tool other than those recommended in this instruction manual may present a risk of personal injury and/or damage to property.

### Safety of others

- ◆ This appliance is not intended for use by persons (including children) with reduced physical, sensory or mental capabilities, or lack of experience and knowledge, unless they have been given supervision or instruction concerning use of the appliance by a person responsible for their safety.
- ◆ Children should be supervised to ensure that they do not play with the appliance.

### Residual risks.

Additional residual risks may arise when using the tool which may not be included in the enclosed safety warnings. These risks can arise from misuse, prolonged use etc. Even with the application of the relevant safety regulations and the implementation of safety devices, certain residual risks can not be avoided. These include:

- ◆ Injuries caused by touching any rotating/moving parts.
- ◆ Injuries caused when changing any parts, blades or accessories.
- ◆ Injuries caused by prolonged use of a tool. When using any tool for prolonged periods ensure you take regular breaks.
- ◆ Impairment of hearing.
- ◆ Health hazards caused by breathing dust developed when using your tool (example:- working with wood, especially oak, beech and MDF.)

### Vibration

The declared vibration emission values stated in the technical data and the declaration of conformity have been measured in accordance with a standard test method provided by EN 60745 and may be used for comparing one tool with another. The declared vibration emission value may also be used in a preliminary assessment of exposure.

**Warning!** The vibration emission value during actual use of the power tool can differ from the declared value depending

on the ways in which the tool is used. The vibration level may increase above the level stated.

When assessing vibration exposure to determine safety measures required by 2002/44/EC to protect persons regularly using power tools in employment, an estimation of vibration exposure should consider, the actual conditions of use and the way the tool is used, including taking account of all parts of the operating cycle such as the times when the tool is switched off and when it is running idle in addition to the trigger time.

## Labels on tool

The following pictograms are shown on the tool:



**Warning!** To reduce the risk of injury, the user must read the instruction manual.

## Additional safety instructions for batteries and chargers

### Batteries

- ◆ Never attempt to open for any reason.
- ◆ Do not expose the battery to water.
- ◆ Do not expose the battery to heat.
- ◆ Do not store in locations where the temperature may exceed 40 °C.
- ◆ Charge only at ambient temperatures between 10 °C and 40 °C.
- ◆ Charge only using the charger provided with the appliance/tool.
- ◆ When disposing of batteries, follow the instructions given in the section "Protecting the environment".
- ◆ Do not damage/deform the battery pack either by puncture or impact, as this may create a risk of injury and fire.
- ◆ Do not charge damaged batteries.
- ◆ Under extreme conditions, battery leakage may occur. When you notice liquid on the batteries carefully wipe the liquid off using a cloth. Avoid skin contact.
- ◆ In case of skin or eye contact, follow the instructions below.

**Warning!** The battery fluid may cause personal injury or damage to property. In case of skin contact, immediately rinse with water. If redness, pain or irritation occurs seek medical attention. In case of eye contact, rinse immediately with clean water and seek medical attention.

### Chargers

Your charger has been designed for a specific voltage. Always check that the mains voltage corresponds to the voltage on the rating plate.

**Warning!** Never attempt to replace the charger unit with a regular mains plug.

- ◆ Use your Black & Decker charger only to charge the battery in the tool with which it was supplied. Other batteries could burst, causing personal injury and damage.
- ◆ Never attempt to charge non-rechargeable batteries.
- ◆ If the supply cord is damaged, it must be replaced by the manufacturer or an authorised Black & Decker Service Centre in order to avoid a hazard.
- ◆ Have defective cords replaced immediately.
- ◆ Do not expose the charger to water.
- ◆ Do not open the charger.
- ◆ Do not probe the charger.
- ◆ The appliance/tool/battery must be placed in a well ventilated area when charging.



The charger is intended for indoor use only.



Read the instruction manual before use.



Fail safe isolating transformer. The mains supply is electrically separated from the transformer output.



The charger automatically shuts off if the ambient temperature becomes too high. As a consequence the charger will be inoperable. The unit must be disconnected from the mains supply and taken to an authorised service centre for repair.

## Electrical safety



Your charger is double insulated; therefore no earth wire is required. Always check that the mains voltage corresponds to the voltage on the rating plate.

- ◆ If the supply cord is damaged, it must be replaced by the manufacturer or an authorised Black & Decker Service Centre in order to avoid a hazard.
- ◆ **Warning!** Never attempt to replace the charger unit with a regular mains plug.

## Features

1. On/off switch
2. Forward/reverse slider
3. Bit holder
4. LED light

## Fig. A

5. Charger
6. Charger plug

## Assembly

### Fitting and removing a drill bit or a screwdriver bit (fig. B)

This tool uses screwdriver bits and drill bits with a 6.35 mm (1/4") hexagonal shank.

- ◆ To fit a bit, insert the bit shaft into the bit holder (3).
- ◆ To remove a bit, pull the bit shaft out of the bit holder (3).

## Use

**Warning!** Let the tool work at its own pace. Do not overload.

- ◆ Before first use, the battery must be charged for at least 9 hours.

### Charging the battery (fig. C)

- ◆ Insert the charger plug (6) into the charger connector (7).
- ◆ Plug in the charger (5).
- ◆ Leave the tool connected to the charger for 12 hours.

The charger may hum and become warm while charging; this is normal and does not indicate a problem.

**Warning!** Do not charge the battery at ambient temperatures below 10 °C or above 40 °C.

### Selecting the direction of rotation (fig. D)

For drilling and for tightening screws, use forward rotation.

For loosening screws or removing a jammed drill bit, use reverse rotation.

- ◆ To select forward rotation, push the forward/reverse slider (2) to the forward position.
- ◆ To select reverse rotation, push the forward/reverse slider (2) to the rearward position.
- ◆ To lock the tool, set the forward/reverse slider into the centre position.

### Drilling/screwdriving

- ◆ Select forward or reverse rotation using the forward/reverse slider (2).
- ◆ To switch the tool on, press the on/off switch (1).
- ◆ To switch the tool off, release the on/off switch (1).

### LED light

The LED light (4) is activated automatically when the trigger is depressed. The LED will also illuminate when the trigger is depressed and the forward/reverse slider (2) is in the locked off position (central position).

### Hints for optimum use

#### Screwdriving

- ◆ Always use the correct type and size of screwdriver bit.
- ◆ If screws are difficult to tighten, try applying a small amount of washing liquid or soap as a lubricant.

- ◆ Use the spindle lock to loosen very tight screws or to firmly tighten screws.
- ◆ Always hold the tool and screwdriver bit in a straight line with the screw.
- ◆ When screwing in wood, it is recommended to drill a pilot hole with a depth equal to the length of the screw. A pilot hole guides the screw and prevents splintering or distortion of the wood. For the optimum size of the pilot hole, refer to the table below.
- ◆ When screwing in hardwood, also drill a clearance hole with a depth equal to half the length of the screw. For the optimum size of the clearance hole, refer to the table below.

Screw size	Pilot hole $\varnothing$ (softwood)	Pilot hole $\varnothing$ (hardwood)	Clearance hole
No. 6 (3.5 mm)	2.0 mm	2.5 mm	3.6 mm
No. 8 (4 mm)	2.5 mm	3.0 mm	4.5 mm
No. 10 (5 mm)	3.0 mm	3.5 mm	5.0 mm

### Drilling

- ◆ Always apply a light pressure in a straight line with the drill bit.
- ◆ Just before the drill tip breaks through the other side of the workpiece, decrease pressure on the tool.
- ◆ Use a block of wood to back up workpieces that may splinter.
- ◆ Make an indentation using a centre punch at the centre of the hole to be drilled in order to improve accuracy.

### Accessories

The performance of your tool depends on the accessory used. Black & Decker and Piranha accessories are engineered to high quality standards and designed to enhance the performance of your tool. By using these accessories you will get the very best from your tool.

This tool uses screwdriver bits with a 1/4" (6.35 mm) hexagonal shank. Piranha Super-lok accessories are designed for use with this tool.

### Maintenance

Your Black & Decker corded/cordless appliance/tool has been designed to operate over a long period of time with a minimum of maintenance. Continuous satisfactory operation depends upon proper tool care and regular cleaning. Your charger does not require any maintenance apart from regular cleaning.

**Warning!** Before performing any maintenance on the tool, switch off and unplug the tool or remove the battery from the tool if the tool has separate battery. If the battery is integral, run the battery completely down. Unplug the charger before cleaning it.

- ◆ Regularly clean the ventilation slots in your tool and charger using a soft brush or dry cloth.

- ◆ Regularly clean the motor housing using a damp cloth. Do not use any abrasive or solvent-based cleaner.
- ◆ Regularly open the chuck and tap it to remove any dust from the interior (when fitted).

## Protecting the environment



Separate collection. This product must not be disposed of with normal household waste.

Should you find one day that your Black & Decker product needs replacement, or if it is of no further use to you, do not dispose of it with household waste. Make this product available for separate collection.



Separate collection of used products and packaging allows materials to be recycled and used again. Re-use of recycled materials helps prevent environmental pollution and reduces the demand for raw materials.

Local regulations may provide for separate collection of electrical products from the household, at municipal waste sites or by the retailer when you purchase a new product.

Black & Decker provides a facility for the collection and recycling of Black & Decker products once they have reached the end of their working life. To take advantage of this service please return your product to any authorised repair agent who will collect them on our behalf.

You can check the location of your nearest authorised repair agent by contacting your local Black & Decker office at the address indicated in this manual. Alternatively, a list of authorised Black & Decker repair agents and full details of our after-sales service and contacts are available on the Internet at: [www.2helpU.com](http://www.2helpU.com)

## Batteries



At the end of their useful life, discard batteries with due care for our environment:

- ◆ Do not short-circuit the battery terminals.
- ◆ Do not dispose of the battery(s) in a fire as this may result in a risk of personal injury or an explosion.
- ◆ Run the battery down completely, then remove it from the tool.
- ◆ Batteries are recyclable. Place the battery(s) in a suitable packaging to ensure that the terminals cannot be short-circuited. Take them to any authorised repair agent or a local recycling station.

## Technical data

KC460LN (H1)	
Voltage	V <sub>DC</sub> 3.6
No-load speed	min <sup>-1</sup> 180
Hard stall torque	Nm 7.7
Max. torque	Nm 3.2
Bit holder	mm 6.35 (1/4")
Weight	kg 0.4

## Battery

Voltage	V 3.6
Battery type	Li-Ion
Capacity	Ah 1.1

## Charger 905450XX

Input voltage	V <sub>AC</sub> 230
Output voltage	V <sub>DC</sub> 9
Current	mA 100
Approx. charging time	h 12
Weight	kg 0.4

Level of sound pressure according to EN 60745:

Sound pressure ( $L_{pA}$ ) 58.9 dB(A), uncertainty (K) 3 dB(A)

Sound power ( $L_{WA}$ ) 69.9 dB(A), uncertainty (K) 3 dB(A)

Vibration total values (triax vector sum) according to EN 60745:

Drilling into metal ( $a_{h,D}$ ) 0.979 m/s<sup>2</sup>, uncertainty (K) 1.5 m/s<sup>2</sup>

Screwdriving without impact ( $a_{h,S}$ ) 0.247 m/s<sup>2</sup>,  
uncertainty (K) 1.5 m/s<sup>2</sup>



## EC declaration of conformity

### MACHINERY DIRECTIVE



Black & Decker declares that these products described under "technical data" are in compliance with:  
2006/42/EC, EN 60745-1, EN 60745-2-2

For more information, please contact Black & Decker at the following address or refer to the back of the manual.

The undersigned is responsible for compilation of the technical file and makes this declaration on behalf of Black & Decker.

Kevin Hewitt  
Vice-President Global Engineering  
Black & Decker Europe, 210 Bath Road, Slough,  
Berkshire, SL1 3YD  
United Kingdom  
23/02/2010

## Guarantee

Black & Decker is confident of the quality of its products and offers an outstanding guarantee. This guarantee statement is in addition to and in no way prejudices your statutory rights. The guarantee is valid within the territories of the Member States of the European Union and the European Free Trade Area.

If a Black & Decker product becomes defective due to faulty materials, workmanship or lack of conformity, within 24 months from the date of purchase, Black & Decker guarantees to replace defective parts, repair products subjected to fair wear and tear or replace such products to ensure minimum inconvenience to the customer unless:

- ◆ The product has been used for trade, professional or hire purposes;
- ◆ The product has been subjected to misuse or neglect;
- ◆ The product has sustained damage through foreign objects, substances or accidents;
- ◆ Repairs have been attempted by persons other than authorised repair agents or Black & Decker service staff.

To claim on the guarantee, you will need to submit proof of purchase to the seller or an authorised repair agent. You can check the location of your nearest authorised repair agent by contacting your local Black & Decker office at the address indicated in this manual. Alternatively, a list of authorised Black & Decker repair agents and full details of our after-sales service and contacts are available on the Internet at: [www.2helpU.com](http://www.2helpU.com)

Please visit our website [www.blackanddecker.co.uk](http://www.blackanddecker.co.uk) to register your new Black & Decker product and to be kept up to date on new products and special offers. Further information on the Black & Decker brand and our range of products is available at [www.blackanddecker.co.uk](http://www.blackanddecker.co.uk)

## Bestimmungsgemäße Verwendung

Ihr Black & Decker Kompaktschrauber wurde für Schraubaufgaben sowie für das Bohren in Holz, Metall und Kunststoff konstruiert. Dieses Gerät ist nicht für den gewerblichen Einsatz vorgesehen.

## Sicherheitshinweise

### Allgemeine Warnhinweise zur Sicherheit von Elektrowerkzeugen



Achtung! Lesen Sie sämtliche Sicherheitswarnhinweise und sonstigen Anweisungen. Die Nichteinhaltung der nachstehend aufgeführten Warnhinweise und sonstigen Anweisungen kann einen elektrischen Schlag, Brand und/oder schwere Verletzungen verursachen.

Bewahren Sie alle Warnhinweise und sonstigen Anweisungen zur künftigen Bezugnahme auf. Der nachfolgend verwendete Begriff "Gerät" bezieht sich auf netzbetriebene Geräte (mit Netzkabel) und auf akkubetriebene Geräte (ohne Netzkabel).

#### 1. Sicherheit am Arbeitsplatz

- a. Halten Sie Ihren Arbeitsbereich sauber und gut ausgeleuchtet. Unordnung und dunkle Arbeitsbereiche fordern Unfälle geradezu heraus.
- b. Arbeiten Sie mit Geräten nicht in explosionsgefährdeter Umgebung, in der sich **brennbare Flüssigkeiten, Gase oder Stäube befinden**. Geräte erzeugen Funken, die den Staub oder die Dämpfe entzünden können.
- c. Halten Sie Kinder und andere Personen während der Benutzung eines Geräts fern. Bei Ablenkung können Sie die Kontrolle verlieren.

#### 2. Elektrische Sicherheit

- a. Der Anschlussstecker des Geräts muß in die Steckdose passen. Der Stecker darf in keiner Weise verändert werden. Verwenden Sie keine Adapterstecker gemeinsam mit schutzgeerdeten Geräten. Unveränderte Stecker und passende Steckdosen verringern das Risiko eines elektrischen Schlages.
- b. Vermeiden Sie Körperkontakt mit geerdeten **Oberflächen von Rohren, Heizungen, Herden und Kühlschränken**. Es besteht ein erhöhtes Risiko eines elektrischen Schlags, wenn Ihr Körper geerdet ist.
- c. Halten Sie Geräte von Regen und Nässe fern. Das Eindringen von Wasser in ein Gerät erhöht das Risiko eines elektrischen Schlages.

- d. Mißbrauchen Sie nicht das Kabel. Verwenden Sie das Kabel niemals zum Tragen, Ziehen oder Trennen des Gerätes vom Netz. Halten Sie das Kabel fern von Hitze, Öl, scharfen Kanten oder sich bewegenden Teilen. Beschädigte oder verwickelte Kabel erhöhen das Risiko eines elektrischen Schlages.
- e. Wenn Sie mit einem Gerät im Freien arbeiten, verwenden Sie nur Verlängerungskabel, die auch für den Außenbereich zugelassen sind. Die Verwendung eines für den Außenbereich geeigneten Verlängerungskabels verringert das Risiko eines elektrischen Schlages.
- f. Falls der Betrieb des Elektrowerkzeugs in einer feuchten Umgebung unvermeidbar ist, verwenden Sie einen mit einem Fehlerstromschutzschalter (FI-Schutzschalter) abgesicherten Stromkreis. Durch die Verwendung eines FI-Schutzschalters wird das Risiko eines Stromschlags verringert.

#### 3. Sicherheit von Personen

- a. Seien Sie aufmerksam, achten Sie darauf, was Sie tun, und gehen Sie vernünftig mit einem Gerät um. Benutzen Sie das Gerät nicht, wenn Sie müde sind oder unter dem **Einfluß von Drogen, Alkohol oder Medikamenten stehen**. Ein Moment der Unachtsamkeit beim Gebrauch von Geräten kann zu ernsthaften Verletzungen führen.
- b. Tragen Sie persönliche Schutzausrüstung. Tragen Sie immer eine Schutzbrille. Das Tragen persönlicher Schutzausrüstung, wie Staubmaske, rutschfeste Sicherheitsschuhe, Schutzhelm oder Gehörschutz, je nach Art und Einsatz des Elektrowerkzeuges, verringert das Risiko von Verletzungen.
- c. Vermeiden Sie eine unbeabsichtigte Inbetriebnahme. Vergewissern Sie sich, dass der Schalter auf der **Aus-Stellung** steht, bevor Sie den Stecker in die Steckdose stecken und/oder das Akkupaket im Werkzeug stecken, das Werkzeug aufnehmen oder tragen. Wenn Sie beim Tragen des Elektrowerkzeuges den Finger am Schalter haben oder das Werkzeug eingeschaltet an die Stromversorgung anschließen, kann dies zu Unfällen führen.
- d. Entfernen Sie Einstell- oder Schraubenschlüssel, bevor Sie das Gerät einschalten. Ein Schlüssel, der sich in einem sich drehenden Teil befindet, kann zu Verletzungen führen.
- e. Nicht zu weit nach vorne strecken! Achten Sie auf einen sicheren Stand, um in jeder Arbeitsposition das Gleichgewicht zu halten. Dadurch können Sie das Gerät in unerwarteten Situationen besser unter Kontrolle halten.
- f. Tragen Sie geeignete Kleidung. Tragen Sie keine weite Kleidung oder Schmuck. Halten Sie Haare, Kleidung und Handschuhe fern von sich bewegenden Teilen. Lockere Kleidung, Schmuck oder lange Haare können von sich bewegenden Teilen erfaßt werden.

- g. Falls Staubabsaug- und -auffangvorrichtungen vorhanden sind, vergewissern Sie sich, daß diese angeschlossen sind und richtig verwendet werden. Das Verwenden dieser Einrichtungen verringert Gefährdungen durch Staub.
- 4. Gebrauch und Pflege von Geräten**
- a. Überlasten Sie das Gerät nicht. Verwenden Sie für Ihre Arbeit das dafür bestimmte Gerät. Mit dem passenden Gerät arbeiten Sie besser und sicherer im angegebenen Leistungsbereich.
- b. Benutzen Sie kein Gerät, dessen Schalter defekt ist. Ein Gerät, das sich nicht mehr ein- oder ausschalten läßt, ist gefährlich und muß repariert werden.
- c. Trennen Sie den Stecker von der Stromquelle und/ oder das Akkupaket vom Elektrowerkzeug, bevor Einstellungen vorgenommen, Zubehör gewechselt oder Elektrowerkzeuge verstaut werden. Diese Vorsichtsmaßnahmen verhindern den unbeabsichtigten Start des Gerätes.
- d. Bewahren Sie unbenutzte Geräte außerhalb der Reichweite von Kindern auf. Lassen Sie Geräte nicht von Personen benutzen, die damit nicht vertraut sind oder diese Anweisungen nicht gelesen haben. Geräte sind gefährlich, wenn Sie von unerfahrenen Personen benutzt werden.
- e. Halten Sie Geräte in einem einwandfreien Zustand. Kontrollieren Sie, ob bewegliche Teile falsch ausgerichtet sind oder klemmen und ob Teile gebrochen oder so beschädigt sind, daß die Funktion des Geräts beeinträchtigt ist. Lassen Sie beschädigte Geräte vor dem Gebrauch reparieren. Viele Unfälle haben ihre Ursache in schlecht gewarteten Geräten.
- f. Halten Sie Schneidgeräte scharf und sauber. Sorgfältig gepflegte Schneidgeräte mit scharfen Schneidkanten verkleben sich weniger und sind leichter zu führen.
- g. Verwenden Sie das Elektrowerkzeug, Zubehör sowie Werkzeug-Bits, usw. entsprechend diesen Anweisungen. Berücksichtigen Sie dabei die Arbeitsbedingungen sowie die durchzuführende Arbeit. Der Gebrauch von Geräten für andere als die vorgesehenen Anwendungen kann zu gefährlichen Situationen führen.
- 5. Gebrauch und Pflege von Akkugeräten**
- a. Laden Sie die Akkus nur in Ladegeräten auf, die vom Hersteller angegeben wurden. Für ein Ladegerät, das nur für eine bestimmte Akkuart geeignet ist, besteht Brandgefahr, wenn es mit anderen Akkus verwendet wird.
- b. Verwenden Sie nur die für die Geräte vorgesehenen Akkus. Der Gebrauch von anderen Akkus kann zu Verletzungen und Brandgefahr führen.
- c. Halten Sie den nicht benutzten Akku fern von Büroklammern, Münzen, Schlüsseln, Nägeln, Schrauben oder anderen kleinen Metallgegenständen, die eine Überbrückung der Kontakte verursachen könnten. Ein Kurzschluss zwischen den Akkukontakten kann Verbrennungen oder Feuer zur Folge haben.
- d. Bei falscher Anwendung kann Flüssigkeit aus dem Akku austreten. Vermeiden Sie den Kontakt damit. Bei unbeabsichtigtem Kontakt mit Wasser abspülen. Gelangt die Flüssigkeit in die Augen, ziehen Sie außerdem ärztliche Hilfe hinzu. Austretende Akkuflüssigkeit kann zu Hautreizungen oder Verbrennungen führen.
6. Service
- a. **Lassen Sie Ihr Gerät nur von qualifiziertem** Fachpersonal und nur mit Original-Ersatzteilen reparieren. Damit wird gewährleistet, daß die Sicherheit des Geräts erhalten bleibt.

### Zusätzliche Warnhinweise zur Sicherheit von Elektrowerkzeugen



**Achtung!** Zusätzliche Sicherheitshinweise für Schraubendreher und Schlagschrauber

- ◆ Halten Sie das Elektrowerkzeug an den isolierten **Griffflächen, wenn Arbeiten durchgeführt werden, bei** denen das Befestigungselement versteckte Leitungen oder die eigene Anschlußleitung berühren könnte. Befestigungsteile, die eine spannungsführende Leitung berühren, setzen die freiliegenden Metallteile des Geräts unter Spannung und der Benutzer erleidet einen Stromschlag.
- ◆ Tragen Sie bei Schlagschraubern einen Gehörschutz. Lärm kann Gehörschäden verursachen.
- ◆ Verwenden Sie die im Lieferumfang des Werkzeugs enthaltenen Zusatzhandgriffe. Ein Kontrollverlust kann Personenverletzungen verursachen.
- ◆ Verwenden Sie Zwingen oder ähnliche Mittel, um das Werkstück auf einer stabilen Plattform zu halten und zu sichern. Falls das Werkstück mit der Hand oder gegen den Körper gehalten wird, bleibt es instabil und Sie können die Kontrolle verlieren.
- ◆ Informieren Sie sich vor dem Einschrauben von Befestigungsteilen in Wände, Böden und Decken über den genauen Verlauf von Leitungen und Rohren.
- ◆ Dieses Gerät darf nicht von Personen (einschließlich Kindern) mit eingeschränkten körperlichen, sensorischen oder geistigen Fähigkeiten verwendet werden. Auch darf es nicht von Personen verwendet werden, die keine Erfahrung mit dem Gerät oder Kenntnis darüber haben, es sei denn, sie stehen beim Gebrauch unter der Aufsicht und Anleitung einer für deren Sicherheit verantwortlichen Person.

Kinder müssen beaufsichtigt werden, um sicherzustellen, daß sie nicht mit dem Gerät spielen.

- ◆ Die bestimmungsgemäße Verwendung ist in dieser Bedienungsanleitung beschrieben. Das Verwenden anderer als der in dieser Anleitung empfohlenen Anbaugeräte und Zubehörteile oder die Ausführung von Arbeiten mit diesem Gerät, die nicht der bestimmungsgemäßen Verwendung entsprechen, kann zu Unfallgefahren und/oder Sachschäden führen.

## Sicherheit anderer Personen

- ◆ Dieses Gerät darf nicht von Personen (einschließlich Kindern) mit eingeschränkten körperlichen, sensorischen oder geistigen Fähigkeiten verwendet werden. Auch darf es nicht von Personen verwendet werden, die keine Erfahrung mit dem Gerät oder Kenntnis darüber haben, es sei denn, sie stehen beim Gebrauch unter der Aufsicht und Anleitung einer für deren Sicherheit verantwortlichen Person.
- ◆ Kinder müssen beaufsichtigt werden, um sicherzustellen, daß sie nicht mit dem Gerät spielen.

## Restrisiken.

Für den Gebrauch dieses Geräts verbleiben zusätzliche Restrisiken, die möglicherweise nicht in den Sicherheitswarnungen genannt werden. Diese Risiken bestehen beispielsweise bei Missbrauch oder längerem Gebrauch.

Auch bei der Einhaltung der entsprechenden Sicherheitsvorschriften und der Verwendung aller Sicherheitsgeräte bestehen weiterhin bestimmte Restrisiken.

Diese werden im Folgenden aufgeführt:

- ◆ Verletzungen, die durch das Berühren von sich drehenden/bewegenden Teilen verursacht werden.
- ◆ Verletzungen, die durch das Austauschen von Teilen, Messern oder Zubehör verursacht werden.
- ◆ Verletzungen, die durch längeren Gebrauch eines Geräts verursacht werden. Legen Sie bei längerem Gebrauch regelmäßige Pausen ein.
- ◆ Beeinträchtigung des Gehörs.
- ◆ Gesundheitsrisiken durch das Einatmen von Staub beim Gebrauch des Geräts (Beispielsweise bei Holzarbeiten, insbesondere Eiche, Buche und Pressspan).

## Vibrationen

Die angegebenen Vibrationswerte in den Technischen Daten und der Konformitätserklärung wurden gemäß einer standardisierten und durch EN 60745 festgelegten Prüfmethode gemessen und können herangezogen werden, um ein Werkzeug mit einem anderen zu vergleichen. Der angegebene Vibrationswert kann auch für eine vorläufige Einstufung der Freisetzung herangezogen werden.

**Achtung!** Der Vibrationswert beim eigentlichen Gebrauch des Elektrowerkzeugs kann vom angegebenen Wert abweichen. Dies hängt davon ab, auf welche Weise das Werkzeug verwendet wird. Der Vibrationswert kann über den angegebenen Wert hinaus ansteigen.

Bei der Einstufung der Vibrationen zur Festlegung der von 2002/44/EG geforderten Sicherheitsmaßnahmen zum Schutz von Personen, die beruflich regelmäßig mit Elektrowerkzeugen arbeiten, muß eine Vibrationseinstufung die tatsächlichen Gebrauchsbedingungen und die Art und Weise berücksichtigen, wie das Werkzeug verwendet wird. Auch müssen alle Aspekte des Arbeitszyklus berücksichtigt werden, wie beispielsweise die Zeiten, in denen das Werkzeug aus- und eingeschaltet ist und im Leerlauf läuft.

## Schilder auf dem Gerät

Es befinden sich folgende Bildzeichen auf dem Gerät:



**Achtung!** Um die Verletzungsgefahr zu verringern, muß der Benutzer die Bedienungsanleitung lesen.

## Zusätzliche Sicherheitsanweisungen für Akkus und Ladegeräte

### Akkus

- ◆ Versuchen Sie auf keinen Fall, einen Akku zu öffnen.
- ◆ Setzen Sie den Akku keiner Nässe aus.
- ◆ Setzen Sie den Akku keiner Hitze aus.
- ◆ Nicht an einem Ort aufbewahren, wo die Temperatur 40 °C überschreiten kann.
- ◆ Nur bei Umgebungstemperaturen zwischen 10 °C und 40 °C aufladen.
- ◆ Laden Sie den Akku nur mit dem im Lieferumfang enthaltenen Ladegerät.
- ◆ Befolgen Sie bei der Entsorgung von Akkus die Anweisungen im Abschnitt "Umweltschutz".
- ◆ Beschädigen und deformieren Sie den Akku nicht - weder durch Einstiche noch durch Schläge - da Sie sich hierdurch verletzen können und ein Brand entstehen kann.
- ◆ Laden Sie keine beschädigten Akkus.
- ◆ Unter extremen Einsatzbedingungen kann Akkufflüssigkeit austreten. Wenn Sie Flüssigkeit auf den Akkus feststellen, wischen Sie diese vorsichtig mit einem Lappen weg. Vermeiden Sie eine Berührung mit der Haut.
- ◆ Falls die Flüssigkeit doch mit der Haut oder den Augen in Berührung kommen sollte, befolgen Sie die folgenden Hinweise.

**Achtung!** Die Akkufflüssigkeit kann zu Personenverletzungen oder Sachschäden führen. Falls die Lösung mit der Haut in Berührung kommt, spülen Sie sofort mit reichlich Wasser. Treten Rötungen, Schmerzen oder Reizungen auf, suchen Sie einen Arzt auf. Bei

Augenkontakt spülen Sie die Augen sofort mit sauberem Wasser aus und suchen Sie einen Arzt auf.

### Ladegeräte

Ihr Ladegerät wurde für eine bestimmte Spannung konstruiert. Überprüfen Sie immer, ob die Netzspannung mit der Spannung auf der Datenplakette übereinstimmt.

**Achtung!** Tauschen Sie das Ladegerät auf keinen Fall gegen einen Netzstecker aus.

- ◆ Verwenden Sie Ihr Black & Decker Ladegerät nur zum Laden von Akkus des im Lieferumfang enthaltenen Typs. Andere Akkus könnten platzen und Sach- und Personenschäden verursachen.
- ◆ Versuchen Sie nie, nicht aufladbare Akkus zu laden.
- ◆ Falls das Netzkabel beschädigt ist, so ist es vom Hersteller oder einem autorisierten Black & Decker Service Center auszutauschen, um Gefahren vorzubeugen.
- ◆ Lassen Sie beschädigte Leitungen sofort austauschen.
- ◆ Setzen Sie das Ladegerät niemals Nässe aus.
- ◆ Öffnen Sie das Ladegerät nicht.
- ◆ Fassen Sie nicht mit den Fingern oder irgendwelchen Gegenständen in das Ladegerät.
- ◆ Gerät/Werkzeug/Akku müssen sich beim Aufladen an einem gut belüfteten Ort befinden.



Das Ladegerät ist ausschließlich für den Gebrauch in geschlossenen Räumen vorgesehen.



Lesen Sie vor dem Gebrauch sorgfältig die Bedienungsanleitung.



Ausfallsicherer Trenntransformator.  
Die Netzspannungsversorgung ist vom Transformatorausgang elektrisch getrennt.



Das Ladegerät schaltet automatisch ab, wenn die Umgebungstemperatur zu hoch wird. Danach ist das Ladegerät außer Funktion. Das Gerät muß vom Netz getrennt und zur Reparatur zu einem autorisierten Servicecenter gebracht werden.

### Elektrische Sicherheit



Ihr Ladegerät ist schutzisoliert, daher ist keine Erdleitung erforderlich. Überprüfen Sie immer, ob die Netzspannung mit der Spannung auf der Datenplakette übereinstimmt.

- ◆ Falls das Netzkabel beschädigt ist, so ist es vom Hersteller oder einem autorisierten Black & Decker Service Center auszutauschen, um Gefahren vorzubeugen.

- ◆ **Achtung!** Tauschen Sie das Ladegerät auf keinen Fall gegen einen Netzstecker aus.

### Merkmale

1. Ein-/Ausschalter
2. Rechts-/Linkslaufschalter
3. Bit-Halter
4. LED-Leuchte

### Abb. A

5. Ladegerät
6. Ladegerätstecker

### Montage

#### Anbringen und Entfernen eines Bohrers oder einer Schrauber Klinge (Abb. B)

Dieses Gerät ist für Schrauberklingen und Bohrer mit einem 6,35 mm-Sechskantschaft geeignet.

- ◆ Um eine Klinge anzubringen, setzen Sie den Schaft der Klinge in den Schrauberklingenhalter (3).
- ◆ Um eine Schrauber Klinge zu entfernen, ziehen Sie den Schaft der Klinge aus dem Klingenhalter (3) heraus.

### Gebrauch

**Achtung!** Beschleunigen Sie den Arbeitsvorgang nicht mit Gewalt. Vermeiden Sie eine Überlastung des Gerätes.

- ◆ Vor dem ersten Gebrauch muß der Akku mindestens 9 Stunden aufgeladen werden.

### Laden des Akkus (Abb. C)

- ◆ Stecken Sie den Ladegerätstecker (6) in die Buchse (7).
- ◆ Stecken Sie das Ladegerät (5) in die Steckdose.
- ◆ Lassen Sie das Werkzeug 12 Stunden am Ladegerät angeschlossen.

Während des Ladevorgangs kann der Akku brummen und sich erwärmen. Dies ist normal und deutet nicht auf irgendein Problem hin.

**Achtung!** Laden Sie den Akku nicht bei einer Umgebungstemperatur unter 10 °C oder über 40 °C.

### Wahl der Laufrichtung (Abb. D)

Zum Bohren sowie zum Eindrehen von Schrauben verwenden Sie den Rechtslauf. Zum Lösen von Schrauben sowie zum Lösen eines festsitzenden Bohrers verwenden Sie den Linkslauf.

- ◆ Für Rechtslauf schieben Sie den Rechts-/Linkslaufschalter (2) nach vorne.
- ◆ Für Linkslauf schieben Sie den Rechts-/Linkslaufschalter (2) nach hinten.
- ◆ Um das Gerät zu verriegeln, schieben Sie den Rechts-/Linkslaufschalter in die Mittelstellung.

## Bohren/Schrauben

- ◆ Wählen Sie mit Hilfe des Rechts-/Linkslaufschalters (2) Rechts- bzw. Linkslauf.
- ◆ Um das Werkzeug einzuschalten, drücken Sie auf den Ein-/Ausschalter (1).
- ◆ Um das Werkzeug auszuschalten, lassen Sie den Ein-/Ausschalter (1) los.

## LED-Leuchte

Die LED-Leuchte (4) leuchtet automatisch auf, sobald der Auslöser gedrückt wird. Die LED leuchtet auch, wenn der Auslöser gedrückt wird und sich der Rechts-/Linkslaufschalter (2) in der arretierten Stellung (Mittelstellung) befindet.

## Hinweise für optimale Arbeitsergebnisse

### Schrauben

- ◆ Verwenden Sie immer ein Schraubendreher-Bit des richtigen Typs und in der richtigen Größe.
- ◆ Falls sich Schrauben schwer eindrehen lassen, tragen Sie etwas Spülmittel oder Seife als Schmiermittel an der Schraube auf.
- ◆ Verwenden Sie die Spindelsicherung, um sehr festsitzende Schrauben zu lösen oder Schrauben fest anzuziehen.
- ◆ Halten Sie das Werkzeug und das Schraubendreher-Bit immer in einer geraden Linie mit der Schraube.
- ◆ Beim Einschrauben in Holz wird empfohlen, eine Vorbohrung mit einer Tiefe entsprechend der Länge der Schraube herzustellen. Durch eine Vorbohrung wird die Schraube geführt und ein Spalten oder Verformen des Holzes verhindert. Die optimale Größe der Vorbohrung geht aus nachfolgender Tabelle hervor.
- ◆ Beim Schrauben in Hartholz müssen Sie ebenfalls ein Durchgangsloch mit einer Tiefe entsprechend der Hälfte der Schraubenlänge herstellen. Die optimale Größe des Durchgangslochs geht aus nachfolgender Tabelle hervor.

Schraubengröße Vorbohrung	Durchmesser Vorbohrung der (Weichholz)	Durchmesser der (Hartholz)	Durchgangsloch
Nr. 6 (3,5 mm)	2,0 mm	2,5 mm	3,6 mm
Nr. 8 (4 mm)	2,5 mm	3,0 mm	4,5 mm
Nr. 10 (5 mm)	3,0 mm	3,5 mm	5,0 mm

### Bohren

- ◆ Üben Sie immer einen leichten Druck in Richtung der Bohrspitze aus.
- ◆ Sobald Sie spüren, daß das Werkstück fast durchbohrt ist, reduzieren Sie schrittweise den Druck auf die Bohrspitze, bis der Bohrvorgang beendet ist.

- ◆ Beim Bohren in Materialien, die leicht splintern oder ausreißen, sollten Sie einen Holzklötz hinter Ihr Werkstück legen.
- ◆ Markieren Sie die Bohrstelle mit Hilfe eines Bohrkörners, um ein positionsgenaueres Bohren zu gewährleisten.

## Zubehör

Die Leistung Ihres Geräts hängt vom verwendeten Zubehör ab. Black & Decker und Piranha Zubehör ist nach hohen Qualitätsnormen gefertigt und dafür ausgelegt, die Leistung Ihres Geräts zu steigern. Durch Verwendung dieses Zubehörs erzielen Sie die größtmögliche Leistung Ihres Geräts.

Dieses Werkzeug ist für Schrauberklingen mit einem 6,35-mm-Sechskantschaft (1/4") geeignet. Piranha Super-lok-Zubehör ist für den Gebrauch mit diesem Gerät konstruiert.

## Wartung

Ihr netz- oder akkubetriebenes Black & Decker Gerät/ Werkzeug wurde im Hinblick auf eine lange Lebensdauer und einen möglichst geringen Wartungsaufwand entwickelt. Ein dauerhafter, einwandfreier Betrieb setzt eine regelmäßige Pflege und Reinigung voraus. Ihr Ladegerät bedarf keinerlei Wartung außer einer regelmäßigen Reinigung.

**Achtung!** Schalten Sie das Werkzeug vor der Durchführung von Wartungsarbeiten aus oder entfernen Sie den Akku aus dem Gerät, falls das Werkzeug einen separaten Akku hat. Ist der Akku eingebaut, lassen Sie das Gerät laufen, bis der Akku vollständig leer ist. Ziehen Sie den Netzstecker des Ladegeräts aus der Steckdose, bevor Sie es reinigen.

- ◆ Reinigen Sie regelmäßig die Lüftungsschlitze im Gerät und Ladegerät mit Hilfe einer weichen Bürste oder eines trockenen Tuches.
- ◆ Reinigen Sie regelmäßig das Motorgehäuse mit Hilfe eines feuchten Tuches. Verwenden Sie keine scheuernden Reinigungsmittel oder Reinigungsmittel auf Lösungsmittelbasis.
- ◆ Reinigen Sie regelmäßig das Spannfutter (falls angebracht), indem Sie es öffnen und durch leichtes Klopfen den Staub aus dem Inneren entfernen.

## Umweltschutz



Getrennte Entsorgung. Dieses Produkt darf nicht über den normalen Hausmüll entsorgt werden.

Sollte Ihr Black & Decker Produkt eines Tages erneuert werden müssen, oder falls Sie es nicht weiter verwenden wollen, so darf es nicht über den Hausmüll entsorgt werden. Stellen Sie dieses Produkt zur getrennten Entsorgung bereit.



Durch die getrennte Entsorgung gebrauchter Produkte und Verpackungen können die Materialien recycelt und wiederverwertet werden. Die Wiederverwertung recycelter Materialien schont die Umwelt und verringert die Nachfrage nach Rohstoffen.

Die regionalen Bestimmungen schreiben unter Umständen die getrennte Entsorgung elektrischer Produkte aus dem Haushalt an Sammelstellen oder seitens des Händlers vor, bei dem Sie das neue Produkt erworben haben.

Black & Decker nimmt Ihre ausgedienten Black & Decker Geräte gern zurück und sorgt für eine umweltfreundliche Entsorgung und Wiederverwertung. Um diesen Dienst zu nutzen, schicken Sie bitte Ihr Produkt zu einer Vertragswerkstatt. Hier wird es dann auf unsere Kosten gesammelt.

Die Adresse der zuständigen Black & Decker Vertretung steht in diesem Handbuch, darüber läßt sich die nächstgelegene Vertragswerkstatt ermitteln. Außerdem ist eine Liste der Vertragswerkstätten und aller Kundendienststellen von Black & Decker sowie der zuständigen Ansprechpartner im Internet zu finden unter: [www.2helpU.com](http://www.2helpU.com)

### Akkus



Entsorgen Sie leere Akkus am Ende ihrer Lebensdauer auf umweltgerechte Weise:

- ◆ Vermeiden Sie ein Kurzschließen der Akkuanschlüsse.
- ◆ Werfen Sie den Akku (die Akkus) nicht ins Feuer, da dies zu Personenverletzungen oder einer Explosion führen kann.
- ◆ Entladen Sie den Akku vollständig und entfernen Sie ihn anschließend aus dem Werkzeug.
- ◆ Akkus sind recycelbar. Legen Sie den Akku (die Akkus) in eine geeignete Verpackung, um sicherzustellen, daß die Anschlüsse nicht kurzgeschlossen werden können. Bringen Sie sie zu einer Vertragswerkstatt oder einer Recycling-Station in Ihrer Nähe.

### Technische Daten

KC460LN (H1)	
Spannung	V <sub>DC</sub> 3,6
Leerlaufdrehzahl	min <sup>-1</sup> 180
Festblockier-Drehmoment	Nm 7,7
Maximales Drehmoment	Nm 3,2
Bit-Halter	mm 6,35 (1/4")
Gewicht	kg 0,4

### Akku

Spannung	V 3,6
Akkutyp	Li-Ion
Kapazität	Ah 1,1

### Ladegerät 905450XX

Netzspannung	V <sub>AC</sub> 230
Ausgangsspannung	V <sub>DC</sub> 9
Amperezahl	mA 100
Ladezeit (zirka)	h 12
Gewicht	kg 0,4

Höhe des Schalldrucks gemäß EN 60745:

Schalldruck (L<sub>pA</sub>) 58,9 dB(A), Unsicherheitsfaktor (K) 3 dB(A)  
Schalleistung (L<sub>WA</sub>) 69,9 dB(A), Unsicherheitsfaktor (K) 3 dB(A)

Gesamtvibrationswerte (Triax-Vektorsumme) gemäß EN 60745:  
Bohren in Metall (a<sub>n,D</sub>) 0,979 m/s<sup>2</sup>, Unsicherheitsfaktor (K) 1,5 m/s<sup>2</sup>  
Schlagloses Schrauben (a<sub>n,S</sub>) 0,247 m/s<sup>2</sup>,  
Unsicherheitsfaktor (K) 1,5 m/s<sup>2</sup>

## EG-Konformitätserklärung MASCHINENRICHTLINIE



KC460LN

Black & Decker erklärt, daß diese unter "Technische Daten" beschriebenen Produkte folgende Richtlinien erfüllen:  
2006/42/EG, EN 60745-1, EN 60745-2-2

Wenden Sie sich für weitere Informationen bitte an folgende Black & Decker Anschrift bzw. an die hinten im Handbuch angegebene Anschrift.

Der Unterzeichnete ist für die Zusammenstellung der technischen Datei verantwortlich und gibt diese Erklärung im Namen von Black & Decker ab.

Kevin Hewitt  
Vice-President Global Engineering  
Black & Decker Europe, 210 Bath Road, Slough,  
Berkshire, SL1 3YD  
Vereinigtes Königreich  
23/02/2010

## Garantie

Black & Decker vertraut auf die Qualität der eigenen Geräte und bietet dem Käufer eine außergewöhnliche Garantie. Diese Garantiezusage versteht sich unbeschadet der gesetzlichen Gewährleistungsansprüche und schränkt diese keinesfalls ein. Sie gilt in sämtlichen Mitgliedsstaaten der Europäischen Union und der Europäischen Freihandelszone EFTA.

Tritt innerhalb von 24 Monaten ab Kaufdatum an einem Gerät von Black & Decker ein auf Material- oder Verarbeitungsfehler zurückzuführender Mangel auf, garantiert Black & Decker den Austausch defekter Teile, die Reparatur von Geräten mit üblichem Verschleiß bzw. den Austausch eines mangelhaften Geräts, ohne den Kunden dabei mehr als unbedingt nötig in Anspruch zu nehmen, allerdings vorbehaltlich folgender Ausnahmen:

- ◆ wenn das Gerät gewerblich, beruflich oder im Verleihgeschäft benutzt wurde;
- ◆ wenn das Gerät mißbräuchlich verwendet oder mit mangelnder Sorgfalt behandelt wurde;
- ◆ wenn das Gerät durch irgendwelche Fremdeinwirkung beschädigt wurde;
- ◆ wenn ein unbefugter Reparaturversuch durch anderes Personal als das einer Vertragswerkstatt oder des Black & Decker-Kundendienstes unternommen wurde.

Zur Inanspruchnahme dieser Garantie ist dem Verkäufer bzw. der Vertragswerkstatt ein Kaufnachweis vorzulegen. Der Kaufnachweis muß Kaufdatum und Gerätetyp bescheinigen. Die Adresse des zuständigen Büros von Black & Decker steht in dieser Anleitung, darüber läßt sich die nächstgelegene Vertragswerkstatt ermitteln. Außerdem ist eine Liste der Vertragswerkstätten und aller Kundendienststellen von Black & Decker sowie der zuständigen Ansprechpartner im Internet zu finden unter: [www.2helpU.com](http://www.2helpU.com)

Bitte besuchen Sie unsere Webseite [www.blackanddecker.de](http://www.blackanddecker.de), um Ihr neues Black & Decker Produkt zu registrieren und über neue Produkte und Sonderangebote aktuell informiert zu werden. Weitere Informationen über die Marke Black & Decker und unsere Produkte finden Sie unter [www.blackanddecker.de](http://www.blackanddecker.de)



## Utilisation prévue

Votre tournevis compact Black & Decker a été conçu pour les applications de vissage et pour le perçage du bois, du métal et des matières plastiques. Cet outil a été conçu pour une utilisation exclusivement domestique.

## Instructions de sécurité

### Consignes de sécurité générales pour les outils électriques



Attention ! Prenez connaissance de tous les avertissements de sécurité et de toutes les instructions. Le non-respect des avertissements et des instructions indiqués ci-dessous peut entraîner une électrocution, un incendie ou de graves blessures.

Conservez tous les avertissements et instructions pour référence future. La notion d'« outil électroportatif » mentionnée par la suite se rapporte à des outils électriques raccordés au secteur (avec câble de raccordement) ou fonctionnant sur batteries (sans fil).

1. Sécurité de la zone de travail
  - a. Maintenez la zone de travail propre et bien éclairée. Un lieu de travail en désordre ou mal éclairé augmente le risque d'accidents.
  - b. N'utilisez pas les outils électroportatifs dans un environnement présentant des risques d'explosion ni en présence de liquides, gaz ou poussières **inflammables**. Les outils électroportatifs génèrent des étincelles risquant d'enflammer les poussières ou les vapeurs.
  - c. Tenez les enfants et autres personnes éloignés durant l'utilisation de l'outil électroportatif. En cas d'inattention, vous risquez de perdre le contrôle sur l'outil.
2. Sécurité électrique
  - a. **La fiche de secteur de l'outil électroportatif doit convenir à la prise de courant. Ne modifiez en aucun cas la fiche. N'utilisez pas de fiches d'adaptateur avec des outils ayant une prise de terre.** Les fiches non modifiées et les prises de courant appropriées réduisent le risque d'électrocution.
  - b. Évitez le contact physique avec des surfaces mises à la terre telles que tuyaux, radiateurs, fours et réfrigérateurs. Il y a un risque élevé d'électrocution si votre corps est relié à la terre.
  - c. N'exposez pas l'outil électroportatif à la pluie ni à l'humidité. La pénétration d'eau dans un outil électroportatif augmente le risque d'électrocution.
3. Sécurité personnelle
  - a. Restez vigilant, surveillez ce que vous faites. Faites preuve de bon sens quand vous utilisez l'outil électroportatif. N'utilisez pas l'outil lorsque vous êtes fatigué ou après avoir consommé de l'alcool, des drogues voire des médicaments. Un moment d'inattention lors de l'utilisation de l'outil peut entraîner de graves blessures.
  - b. Utilisez un équipement de protection personnelle. Portez toujours une protection pour les yeux. Les équipements de protection personnelle tels que les masques anti-poussières, chaussures de sécurité antidérapantes, casques ou protections acoustiques utilisés dans des conditions appropriées réduisent les blessures.
  - c. **Évitez toute mise en marche involontaire. Vérifiez que l'interrupteur est en position arrêté avant de brancher l'outil au secteur ou au bloc de batteries, de le prendre ou de le porter.** Transporter les outils en avec le doigt sur l'interrupteur ou les brancher avec l'interrupteur en position de marche est une source d'accidents.
  - d. Enlevez tout outil ou clé de réglage avant de mettre l'outil en marche. Une clé ou un outil se trouvant sur une partie en rotation peut causer des blessures.
  - e. Adoptez une position confortable. Adoptez une position stable et gardez votre équilibre à tout moment. Vous contrôlerez mieux l'outil dans des situations inattendues.
  - f. Portez des vêtements appropriés. Ne portez pas de **vêtements flottants ou de bijoux. N'approchez pas les cheveux, vêtements ou gants des parties des pièces mobiles.** Les vêtements amples, les bijoux ou les cheveux longs peuvent être attrapés dans les pièces en mouvement.
  - g. Si des dispositifs servant à aspirer ou à recueillir les **poussières doivent être utilisés, vérifiez qu'ils sont correctement raccordés et utilisés.** Le fait d'aspirer la poussière permet de réduire les risques inhérents à la poussière.
- d. Préservez le câble d'alimentation. N'utilisez pas le câble à d'autres fins que celles prévues, notamment pour porter l'outil, l'accrocher voire le débrancher de la prise de courant. Maintenez le câble éloigné des sources de chaleur, des parties grasses, des bords tranchants ou des parties de l'outil en rotation. Un câble endommagé ou enchevêtré augmente le risque d'électrocution.
- e. Si vous utilisez l'outil électroportatif à l'extérieur, utilisez une rallonge homologuée pour utilisation à l'air libre. L'utilisation d'une rallonge électrique homologuée pour les applications extérieures réduit le risque d'électrocution.
- f. Si l'usage d'un outil dans un emplacement humide est inévitable, utilisez une alimentation protégée par un dispositif à courant différentiel résiduel (RCD). L'usage d'un RCD réduit le risque de choc électrique.

4. Utilisation des outils électroportatifs et précautions
  - a. Ne surchargez pas l'outil. Utilisez l'outil électroportatif approprié pour le travail à effectuer. Avec l'outil électroportatif approprié, vous travaillerez mieux et avec plus de sécurité à la vitesse pour laquelle il a été conçu.
  - b. N'utilisez pas un outil électroportatif dont l'interrupteur est défectueux. Un outil électroportatif qui ne peut plus être mis en ou hors fonctionnement est dangereux et doit être réparé.
  - c. Déconnectez la prise de la source d'alimentation ou le pack-batterie de l'outil électrique avant tout réglage, changement d'accessoire voire rangement des outils électriques. Cette mesure de précaution empêche une mise en marche par mégarde.
  - d. Rangez les outils électroportatifs hors de portée des enfants. Ne laissez pas les personnes n'étant pas familiarisées avec l'outil ou n'ayant pas lu ces instructions l'utiliser. Les outils électroportatifs sont dangereux lorsqu'ils sont utilisés par des personnes non initiées.
  - e. **Prenez soin des outils électroportatifs. Vérifiez que les parties en mouvement fonctionnent correctement et qu'elles ne sont pas coincées ; vérifiez qu'il n'y a pas de pièces cassées ou endommagées susceptibles de nuire au bon fonctionnement de l'outil. S'il est endommagé, faites réparer l'outil avant de l'utiliser. De nombreux accidents sont dus à des outils électroportatifs mal entretenus.**
  - f. Maintenez les outils de coupe aiguisés et propres. Des outils soigneusement entretenus avec des bords tranchants bien aiguisés se coincent moins souvent et peuvent être guidés plus facilement.
  - g. Utilisez l'outil électrique, les accessoires et forets, etc. conformément à ces instructions, en tenant compte des conditions de travail et des tâches à effectuer. L'utilisation des outils électroportatifs à d'autres fins que celles prévues peut entraîner des situations dangereuses.
5. Utilisation des outils à batterie et précautions
  - a. Rechargez la batterie uniquement avec le chargeur **spécifié par le fabricant**. Un chargeur prévu pour un type de batterie présente un risque d'incendie s'il est utilisé avec un autre type de batterie.
  - b. Utilisez les outils électroportatifs uniquement avec les **batteries spécifiquement conçues pour eux**. L'utilisation d'autres batteries peut comporter un risque de blessures ou d'incendie.
  - c. **Quand vous ne l'utilisez pas, rangez la batterie loin d'autres objets métalliques tels que trombones, pièces, clous, vis ou autres pouvant créer une connexion entre deux bornes. Court-circuiter les bornes du pack-batteries peut provoquer des brûlures ou un incendie.**
  - d. Dans des conditions inappropriées, la batterie peut rejeter du liquide. Évitez le contact. Si un contact accidentel se produit, rincez à l'eau. Si le liquide touche les yeux, consultez un médecin. Le liquide rejeté par la batterie peut causer une irritation cutanée ou des brûlures.
6. Réparations
  - a. **Faites réparer votre outil électroportatif uniquement par du personnel qualifié et seulement avec des pièces de rechange d'origine.** Cela garantira le maintien de la sécurité de votre outil.

## Avertissements de sécurité supplémentaires pour les outils électriques



Attention ! Avertissements de sécurité additionnels pour les tournevis et clés pneumatiques

- ◆ Tenez l'outil uniquement par les surfaces isolées des poignées si l'opération effectuée peut mettre la visserie en contact avec des câbles électriques cachés ou son propre cordon électrique. Le contact d'une fixation avec un câble sous tension met les parties métalliques de l'outil sous tension et peut provoquer une électrocution de l'utilisateur.
- ◆ Portez une protection auditive avec les clés pneumatiques. L'exposition au bruit peut causer des pertes de l'audition.
- ◆ Utilisez les poignées additionnelles fournies avec l'outil. Une perte de contrôle peut provoquer des blessures.
- ◆ **Utilisez des fixations ou tout autre moyen pratique pour fixer et soutenir la pièce à ouvrir sur une plate-forme stable.** Si vous tenez la pièce à la main ou contre votre corps, elle est instable et vous pouvez en perdre le contrôle.
- ◆ Avant de visser des fixations dans les murs, les planchers ou les plafonds, vérifiez l'emplacement des fils électriques et des tuyaux.
- ◆ Cet outil n'est pas destiné à être utilisé par des personnes (notamment des enfants) présentant des capacités physiques, sensorielles ou mentales limitées voire dépourvues de connaissance et d'expérience, sauf si elles sont supervisées ou ont reçu des instructions pour l'usage de l'appareil par une personne responsable de leur sécurité. Les enfants ne doivent pas jouer avec l'appareil.
- ◆ Le domaine d'utilisation de l'outil est décrit dans le présent manuel. L'utilisation d'accessoires ou la réalisation d'opérations avec cet outil autres que ceux recommandés dans le présent manuel peut entraîner un risque de blessure ou de dégâts.

## Sécurité des tiers

- ◆ Cet appareil n'est pas destiné à être utilisé par des personnes (notamment des enfants) présentant des capacités physiques, sensorielles ou mentales limitées voire dépourvues de connaissance et d'expérience, sauf si elles sont supervisées ou ont reçu des instructions pour l'usage de l'appareil par une personne responsable de leur sécurité.
- ◆ Les enfants ne doivent pas jouer avec l'appareil.

## Risques résiduels.

L'utilisation d'un outil non mentionné dans les consignes de sécurité données peut entraîner des risques résiduels supplémentaires. Ces risques peuvent survenir si l'outil est mal utilisé, si l'utilisation est prolongée, etc.

Malgré l'application des normes de sécurité correspondantes et la présence de dispositifs de sécurité, les risques résiduels suivants ne peuvent être évités. Ceci comprend :

- ◆ Les blessures dues au contact avec une pièce mobile/ en rotation.
- ◆ Les blessures causées en changeant des pièces, lames ou accessoires.
- ◆ Les blessures dues à l'utilisation prolongée d'un outil. Une utilisation prolongée de l'outil nécessite des pauses régulières.
- ◆ **Déficience auditive.**
- ◆ Risques pour la santé causés par l'inhalation de poussières produites pendant l'utilisation de l'outil (exemple : travail avec du bois, surtout le chêne, le hêtre et les panneaux en MDF).

## Vibration

Les valeurs des émissions de vibrations mentionnées dans les données techniques et la déclaration de conformité ont été mesurées conformément à la méthode de test normalisée indiquée par EN 60745 et permettent les comparaisons entre outils. Les valeurs des émissions de vibrations peuvent également servir à une évaluation préliminaire de l'exposition.

**Attention !** Les valeurs des émissions de vibrations en utilisant réellement l'outil peuvent différer des valeurs déclarées en fonction du mode d'usage de l'outil. Le niveau de vibration peut dépasser le niveau indiqué.

Pour évaluer l'exposition aux vibrations afin de déterminer les mesures de sécurité imposées par 2002/44/CE pour protéger les personnes utilisant régulièrement des outils électriques, une estimation de l'exposition aux vibrations devrait prendre en compte les conditions réelles et le mode d'utilisation de l'outil, notamment l'ensemble du cycle de fonctionnement ainsi l'arrêt de l'outil et son fonctionnement au ralenti, outre le démarrage.

## Étiquettes apposées sur l'outil

Les pictogrammes suivants sont présents sur l'outil :



**Attention !** Afin de réduire les risques de blessures, l'utilisateur doit lire le manuel d'instructions.

## Instructions de sécurité supplémentaires pour les batteries et chargeurs

### Batteries

- ◆ Ne tentez jamais d'ouvrir pour quelque raison que ce soit.
- ◆ N'exposez pas la batterie à l'humidité.
- ◆ N'exposez pas la batterie à la chaleur.
- ◆ Ne stockez pas dans des endroits où la température peut dépasser 40 °C.
- ◆ Chargez uniquement à température ambiante, entre 10 °C et 40 °C.
- ◆ Chargez uniquement en utilisant le chargeur fourni avec l'outil.
- ◆ Lorsque vous jetez des batteries, suivez les instructions données à la section « Protection de l'environnement ».
- ◆ N'endommagez et ne déformez pas la batterie (piqûre ou impact). Vous pourriez créer un risque de blessure ou d'incendie.
- ◆ Ne chargez pas les batteries endommagées.
- ◆ Dans des conditions extrêmes, une batterie peut fuir. Si vous remarquez du liquide sur les batteries, essuyez-le soigneusement à l'aide d'un chiffon. Évitez le contact avec la peau.
- ◆ En cas de contact avec la peau ou les yeux, suivez les instructions ci-dessous.

**Attention !** Le liquide de batterie peut causer des blessures ou des dégâts. En cas de contact avec la peau, rincez abondamment à l'eau. En présence de rougeurs, de douleurs ou d'irritations, consultez un médecin. En cas de contact avec les yeux, rincez-les immédiatement à l'eau claire et consultez un médecin.

### Chargeurs

Votre chargeur a été conçu pour une tension spécifique. Vérifiez toujours que la tension du secteur correspond à la tension indiquée sur la plaque d'identification.

**Attention !** Ne tentez jamais de remplacer le chargeur par une prise au secteur normale.

- ◆ Utilisez uniquement votre chargeur Black & Decker pour charger les batteries fournies avec votre outil ou de même type et modèle. D'autres batteries pourraient exploser et causer des dommages ou blessures.
- ◆ Ne tentez jamais de charger des batteries non rechargeables.
- ◆ Si le câble d'alimentation est endommagé, il doit être remplacé par le fabricant ou par un centre de réparation agréé Black & Decker afin d'éviter tout accident.

- ◆ Remplacez immédiatement les fils électriques défectueux.
- ◆ Ne mettez pas le chargeur en contact avec de l'eau.
- ◆ N'ouvrez pas le chargeur.
- ◆ Ne testez pas le chargeur.
- ◆ Pendant la charge, l'appareil/outil/batterie doit être placé dans une zone bien ventilée.



Le chargeur a été conçu pour être utilisé uniquement à l'intérieur.



Lisez le manuel d'instruction avant utilisation.



Transformateur à sécurité intrinsèque. L'alimentation secteur est électriquement séparée de la sortie du transformateur.



Le chargeur s'arrête automatiquement si la température ambiante est trop élevée. Par conséquent, le chargeur devient inutilisable. L'unité doit être débranchée du secteur puis apportée à un centre d'entretien agréé pour réparation.

## Sécurité électrique



Votre chargeur est doublement isolé ; par conséquent, aucun câble de masse n'est nécessaire. Vérifiez toujours que la tension du secteur correspond à la tension indiquée sur la plaque d'identification.

- ◆ Si le câble d'alimentation est endommagé, il doit être remplacé par le fabricant ou par un centre de réparation agréé Black & Decker afin d'éviter tout accident.
- ◆ Attention ! Ne tentez jamais de remplacer le chargeur par une prise au secteur normale.

## Caractéristiques

1. Bouton marche/arrêt
2. Sélecteur de rotation droite / gauche
3. Porte-embout
4. Témoin DEL

## Fig. A

5. Chargeur
6. Prise de chargeur

## Montage

### Installation et retrait d'un foret de perçage ou de vissage (fig. B)

Cet outil utilise des forets de vissage et de perçage avec une queue hexagonale de 6,35 mm.

- ◆ Pour mettre en place un embout, insérez sa tige dans le support d'embout (3).
- ◆ Pour retirer un embout, tirez sa tige hors du support d'embout (3).

## Utilisation

Attention ! Laissez l'outil fonctionner à sa propre vitesse.

Ne le surchargez pas.

- ◆ Chargez la batterie pendant au moins 9 heures avant la première utilisation.

## Chargement de la batterie (fig. C)

- ◆ Insérez la prise de chargeur (6) dans le connecteur (7).
- ◆ Branchez le chargeur (5).
- ◆ Laissez l'outil branché sur le chargeur pendant 12 heures. Le chargeur peut siffler et chauffer pendant le chargement ; c'est normal et n'indique pas de problème particulier.

Attention ! Ne chargez pas la batterie à une température ambiante inférieure à 10 °C ou supérieure à 40 °C.

## Sélection du sens de rotation (fig. D)

Pour le perçage et le serrage des vis, utilisez la rotation vers l'avant. Pour desserrer les vis ou enlever un foret de perçage coincé, utilisez la rotation vers l'arrière.

- ◆ Pour sélectionner la rotation vers l'avant, poussez le sélecteur de rotation droite / gauche (2) vers la position avant.
- ◆ Pour sélectionner la rotation vers l'arrière, poussez le sélecteur de rotation droite / gauche (2) vers la position arrière.
- ◆ Pour verrouiller l'outil, réglez le sélecteur de rotation droite / gauche sur la position centrale.

## Perçage / vissage

- ◆ Sélectionnez la rotation vers la droite ou la gauche à l'aide du sélecteur de rotation droite / gauche (2).
- ◆ Pour allumer l'outil, appuyez sur l'interrupteur marche/arrêt (1).
- ◆ Pour éteindre l'outil, relâchez l'interrupteur marche/arrêt (1).

## Témoin DEL

Le témoin DEL (4) s'active automatiquement lorsque la gâchette est enfoncée. Le témoin DEL s'allume également lorsque la gâchette est enfoncée et que le sélecteur avant/arrière (2) est en position débloqué (position centrale).

## Conseils pour une utilisation optimale

### Vissage

- ◆ Utilisez toujours le bon type et la bonne taille d'embout de tournevis.
- ◆ Si les vis sont difficiles à serrer, essayez d'appliquer un petit peu de liquide vaisselle ou de savon comme lubrifiant.
- ◆ Utilisez le verrouillage de l'arbre pour dévisser des vis très serrées ou pour les visser à fond.

- ◆ Tenez toujours l'outil et l'embout de tournevis en ligne droite par rapport à la vis.
- ◆ Lorsque vous vissez dans du bois, nous vous conseillons de percer un orifice de guidage d'une profondeur égale à la longueur de la vis. Un orifice de guidage permet de guider la vis et l'empêche de faire éclater ou de tordre le bois. Vous trouverez dans le tableau ci-dessous des conseils pour bien déterminer la taille idéale de l'orifice de guidage à percer.
- ◆ Lorsque vous devez visser dans un bois dur, percez aussi un orifice de passage d'une profondeur égale à la moitié de la longueur de la vis. Vous trouverez dans le tableau ci-dessous des conseils pour bien déterminer la taille idéale de l'orifice de passage à percer.

Taille de la vis	Orifice de guidage ø (bois tendre)	Orifice de guidage ø (bois dur)	Orifice de passage
No. 6 (3,5 mm)	2,0 mm	2,5 mm	3,6 mm
No. 8 (4 mm)	2,5 mm	3,0 mm	4,5 mm
No. 10 (5 mm)	3,0 mm	3,5 mm	5,0 mm

### Perçage

- ◆ Appliquez toujours une pression légère et rectiligne avec le foret de perçage.
- ◆ Juste avant que le foret de perçage ne passe de l'autre côté de la pièce, diminuez la pression sur l'outil.
- ◆ Utilisez un bloc de bois pour protéger les pièces pouvant se briser.
- ◆ Faites une entaille à l'aide d'une contrepointe de centrage au centre de l'orifice à percer afin d'améliorer la précision.

### Accessoires

Les performances de votre outil dépendent de l'accessoire que vous utilisez. Les accessoires Black & Decker et Piranha sont conçus selon les normes de haute qualité pour améliorer les performances de votre outil. En utilisant ces accessoires, vous obtiendrez les meilleurs résultats de votre outil.

Cet outil utilise des embouts de tournevis avec une queue hexagonale de 6,35 mm (1/4"). Les accessoires Piranha Super-lok sont conçus pour être utilisés avec cet outil.

### Entretien

Votre appareil/outil Black & Decker avec/sans fil a été conçu pour fonctionner pendant longtemps avec un minimum d'entretien. Un fonctionnement continu satisfaisant dépend d'un nettoyage régulier et d'un entretien approprié de l'outil. Votre chargeur ne nécessite aucun entretien autre qu'un nettoyage régulier.

**Attention !** Avant toute opération d'entretien sur l'outil, éteignez et débranchez-le ou retirez sa batterie (le cas échéant). Si la batterie est intégrée, épuisez-la complètement. Débranchez le chargeur avant de le nettoyer.

- ◆ Nettoyez régulièrement les orifices de ventilation de votre outil et le chargeur à l'aide d'une brosse douce ou d'un chiffon sec.
- ◆ Nettoyez régulièrement le compartiment du moteur à l'aide d'un chiffon humide. N'utilisez pas de produit abrasif ou à base de solvant.
- ◆ Ouvrez régulièrement le mandrin (le cas échéant) et tapotez dessus pour retirer toute poussière à l'intérieur.

### Protection de l'environnement



Collecte séparée. Ce produit ne doit pas être jeté avec les déchets domestiques normaux.

Si vous décidez de remplacer ce produit Black & Decker, ou si vous n'en avez plus l'utilité, ne le jetez pas avec vos déchets domestiques. Rendez-le disponible pour une collecte séparée.



La collecte séparée des produits et emballages usés permet le recyclage des articles afin de les utiliser à nouveau. Le fait d'utiliser à nouveau des produits recyclés permet d'éviter la pollution environnementale et de réduire la demande de matières premières.

Les réglementations locales peuvent permettre la collecte séparée des produits électriques du foyer, dans des déchetteries municipales ou auprès du revendeur vous ayant vendu votre nouveau produit.

Black & Decker fournit un dispositif permettant de collecter et de recycler les produits Black & Decker lorsqu'ils ont atteint la fin de leur cycle de vie. Pour pouvoir profiter de ce service, veuillez retourner votre produit à un réparateur agréé qui se chargera de le collecter pour nous.

Pour connaître l'adresse du réparateur agréé le plus proche de chez vous, contactez le bureau Black & Decker à l'adresse indiquée dans ce manuel. Vous pourrez aussi trouver une liste des réparateurs agréés de Black & Decker et de plus amples détails sur notre service après-vente sur le site Internet à l'adresse suivante : [www.2helpU.com](http://www.2helpU.com)

### Batteries



À la fin de leur durée de vie technique, jetez les batteries en respectant l'environnement :

- ◆ Évitez de provoquer un court-circuit entre les bornes de la batterie.
- ◆ Ne jetez pas la ou les batteries au feu fixe au risque de blessures voire d'explosion.
- ◆ Videz complètement la batterie, puis retirez-la de l'outil.
- ◆ Les batteries sont recyclables. Placez la ou les batteries dans un emballage adapté pour éviter toute possibilité d'un court-circuit entre les bornes. Apportez-les à votre réparateur agréé ou à un centre de recyclage local.

## Caractéristiques techniques

KC460LN (H1)	
Voltage	V <sub>DC</sub> 3,6
Vitesse à vide	min <sup>-1</sup> 180
Couple au blocage	Nm 7,7
Couple max.	Nm 3,2
Porte-embout	mm 6,35 (1/4")
Poids	kg 0,4

## Batterie

Tension	V 3,6
Type de batterie	Li-Ion
Ampérage	Ah 1,1

## Chargeur

905450XX

Tension secteur	V <sub>AC</sub> 230
Tension de sortie	V <sub>DC</sub> 9
Ampérage	mA 100
Temps de chargement approx.	h 12
Poids	kg 0,4

Niveau de pression acoustique selon EN 60745 :

Pression acoustique (L<sub>PA</sub>) 58,9 dB(A), incertitude (K) 3 dB(A)

Puissance acoustique (L<sub>WA</sub>) 69,9 dB(A), incertitude (K) 3 dB(A)

Valeurs totales de vibration (somme vectorielle triax)

selon EN 60745 :

Perçage dans le métal (a<sub>n,D</sub>) 0,979 m/s<sup>2</sup>, incertitude (K) 1,5 m/s<sup>2</sup>

Vissage sans percussion (a<sub>n,S</sub>) 0,247 m/s<sup>2</sup>, incertitude (K) 1,5 m/s<sup>2</sup>

## Déclaration de conformité CE

DIRECTIVE MACHINES



KC460LN

Black & Decker déclare que ces produits décrits sous les

"caractéristiques techniques" sont conformes avec :

2006/42/CE, EN 60745-1, EN 60745-2-2

Pour en savoir plus, veuillez contacter Black & Decker à l'adresse suivante ou consultez le dos du manuel.

Le soussigné est responsable de la compilation du fichier technique et effectue cette déclaration au nom de Black & Decker.

Kevin Hewitt

Vice-président Ingénierie globale

Black &amp; Decker Europe, 210 Bath Road, Slough,

Berkshire, SL1 3YD

Royaume Uni

23/02/2010

## Garantie

Black & Decker est confiant dans la qualité de ses produits et vous offre une garantie très étendue. Ce certificat de garantie est un document supplémentaire et ne peut en aucun cas se substituer à vos droits légaux. La garantie est valable sur tout le territoire des Etats Membres de l'Union Européenne et de la Zone de Libre Echange Européenne.

Si un produit Black & Decker s'avère défectueux en raison de matériaux en mauvaises conditions, d'une erreur humaine, ou d'un manque de conformité dans les 24 mois suivant la date d'achat, Black & Decker garantit le remplacement des pièces défectueuses, la réparation des produits usés ou cassés ou remplace ces produits à la convenance du client, sauf dans les circonstances suivantes :

- ◆ Le produit a été utilisé dans un but commercial, professionnel, ou a été loué.
- ◆ Le produit a été mal utilisé ou avec négligence.
- ◆ Le produit a subi des dommages à cause d'objets étrangers, de substances ou à cause d'accidents.
- ◆ Des réparations ont été tentées par des techniciens ne faisant pas partie du service technique de Black & Decker.

Pour avoir recours à la garantie, il est nécessaire de fournir une preuve d'achat au vendeur ou à un réparateur agréé.

Pour connaître l'adresse du réparateur agréé le plus proche de chez vous, contactez le bureau Black & Decker à l'adresse indiquée dans ce manuel. Vous pourrez aussi trouver une liste des réparateurs agréés de Black & Decker et de plus amples détails sur notre service après-vente sur le site Internet à l'adresse suivante : [www.2helpU.com](http://www.2helpU.com)

Visitez notre site Web [www.blackanddecker.fr](http://www.blackanddecker.fr) pour enregistrer votre nouveau produit Black & Decker et être informé des nouveaux produits et des offres spéciales. Pour plus d'informations concernant la marque Black & Decker et notre gamme de produits, consultez notre site [www.blackanddecker.fr](http://www.blackanddecker.fr)

## Uso previsto

L'avvitatore compatto Black & Decker è stato progettato per inserire ed estrarre viti e per forare legno, metallo e plastica. L'utensile è stato progettato per un uso individuale.

## Precauzioni di sicurezza

### Avvisi generali di sicurezza per l'elettrotensile



Attenzione! Leggere tutti gli avvisi e le istruzioni di sicurezza. La mancata osservanza dei seguenti avvisi e istruzioni potrebbe causare scosse elettriche, incendi e/o infortuni gravi.

Conservare tutte gli avvisi e le istruzioni per consultazioni future. Il termine "elettrotensile" che ricorre in tutte le seguenti avvertenze si riferisce ad utensili elettrici con o senza filo.

1. Sicurezza dell'area di lavoro
  - a. Mantenere pulita e bene illuminata l'area di lavoro. Il disordine o la scarsa illuminazione possono causare incidenti.
  - b. Evitare d'impiegare gli elettrotensili in ambienti esposti al rischio di esplosione, ad esempio in **presenza di liquidi, gas o polveri infiammabili**. Gli elettrotensili producono scintille che possono far infiammare la polvere o i fumi.
  - c. Mantenere lontani bambini ed astanti mentre si usa l'elettrotensile. Eventuali distrazioni possono comportare la perdita del controllo dell'elettrotensile.
2. Sicurezza elettrica
  - a. La spina elettrica deve essere adatta alla presa. Evitare assolutamente di alterare la spina. Non impiegare spine adattatrici con elettrotensili provvisti di messa a terra. L'uso di spine inalterate e corrispondenti alle prese della rete domestica riduce il rischio di scosse elettriche.
  - b. **Evitare il contatto fisico con superfici collegate a terra, come tubi, radiatori, forni e frigoriferi.** Un corpo collegato a terra è esposto maggiormente al rischio di scosse elettriche.
  - c. Custodire gli elettrotensili al riparo dalla pioggia o dall'umidità. L'eventuale infiltrazione di acqua in un elettrotensile aumenta il rischio di scosse elettriche.
  - d. Non esporre il cavo a sollecitazioni. Non usare il cavo per trasportare o trainare l'elettrotensile e non tirarlo per estrarre la spina dalla presa di corrente. Mantenere il cavo a distanza da fonti di calore, olio, bordi taglienti e/o parti in movimento. I cavi elettrici danneggiati o aggrovigliati aumentano il rischio di scosse elettriche.
3. Sicurezza delle persone
  - a. È importante concentrarsi su ciò che si sta facendo e maneggiare con giudizio l'elettrotensile. Non adoperare l'elettrotensile se si è stanchi o sotto l'effetto di stupefacenti, alcol o medicinali. Un attimo di distrazione durante l'uso dell'elettrotensile può causare gravi infortuni personali.
  - b. Indossare un equipaggiamento protettivo. Utilizzare sempre occhiali protettivi di sicurezza. Indossando un equipaggiamento protettivo, ad esempio: maschera antipolvere, calzature di sicurezza con suola antiscivolo, casco e protezioni per l'udito, in condizioni adeguate, si riduce il rischio di lesioni personali.
  - c. Evitare l'accensione involontaria dell'elettrotensile. **Verificare che l'interruttore di accensione sia** posizionato su off prima di collegare il cavo di alimentazione o la batteria, di sollevare o trasportare l'elettrotensile. Trasportare gli elettrotensili con il dito sull'interruttore di accensione o collegare all'alimentazione elettrotensili con l'interruttore posizionato su on, favorisce il verificarsi di incidenti.
  - d. Prima di accendere un elettrotensile, togliere eventuali chiavi o attrezzi di regolazione. Un attrezzo o una chiave lasciati in un componente mobile dell'elettrotensile possono causare lesioni.
  - e. Non sporgersi. Mantenere sempre un buon equilibrio evitando posizioni malsicure. In questo modo è possibile controllare meglio l'elettrotensile in situazioni inaspettate.
  - f. Vestirsi adeguatamente. Evitare di indossare indumenti larghi o gioielli. Tenere capelli, vestiti e guanti lontani dalle parti in movimento. Vestiti larghi, gioielli o capelli lunghi possono impigliarsi nei componenti in movimento.
  - g. Se gli elettrotensili sono provvisti di attacchi per la connessione di dispositivi di aspirazione o raccolta della polvere, assicurarsi che questi siano installati e utilizzati correttamente. L'uso di un dispositivo di aspirazione può ridurre i rischi correlati alle polveri.
4. Uso e cura degli elettrotensili
  - a. Non sovraccaricare l'elettrotensile. Usare un elettrotensile idoneo al lavoro da eseguire. Un elettrotensile appropriato permetterà una migliore e più sicura lavorazione alla potenza nominale prevista.
- e. Se l'elettrotensile viene adoperato all'aperto, usare esclusivamente prolunghe omologate per l'impiego all'esterno. Un cavo adatto per impieghi all'esterno riduce il rischio di scosse elettriche.
- f. Se l'uso di un elettrotensile in un ambiente umido è inevitabile, utilizzare una fonte di alimentazione dotata di un dispositivo di protezione da correnti residue (RCD). L'uso di un RCD riduce il rischio di scosse elettriche.

- b. Non utilizzare elettrodomestici con interruttori difettosi. Un elettrodomestico che non può essere controllato mediante l'interruttore è pericoloso e deve essere riparato.
  - c. Scollegare la spina dalla presa e/o estrarre la batteria dall'elettrodomestico prima di eseguire regolazioni, di sostituire degli accessori o di riparare l'elettrodomestico. Queste precauzioni riducono le possibilità che l'elettrodomestico venga messo in funzione accidentalmente.
  - d. Quando non vengono usati, gli elettrodomestici devono essere custoditi fuori della portata dei bambini. Non consentire l'uso dell'elettrodomestico a persone inesperte o che non abbiano letto le presenti istruzioni. Gli elettrodomestici risultano pericolosi se usati da persone inesperte.
  - e. Sottoporre gli elettrodomestici alle procedure di **manutenzione del caso. Verificare che le parti mobili** siano bene allineate e non inceppate, che non vi siano componenti rotti e che non sussistano altre condizioni che possano compromettere il funzionamento dell'elettrodomestico. In caso di danni, riparare l'elettrodomestico prima dell'uso. La scarsa manutenzione causa molti incidenti.
  - f. **Mantenere affilati e puliti gli utensili da taglio.** Se sottoposti alla corretta manutenzione, gli utensili da taglio con taglienti affilati s'inceppano meno frequentemente e sono più facili da manovrare.
  - g. Utilizzare l'elettrodomestico, gli accessori, le punte ecc. in conformità alle presenti istruzioni, tenendo conto delle condizioni lavorative e del tipo di lavoro da eseguire. L'impiego degli elettrodomestici per usi diversi da quelli previsti può dar luogo a situazioni di pericolo.
5. **Uso e cura degli utensili a batteria**
    - a. Ricaricare la batteria esclusivamente con il **caricabatterie specificato dal fabbricante.** Un caricabatterie adatto per un tipo di batteria può esporre al rischio d'incendio se usato con una batteria diversa.
    - b. Utilizzare gli elettrodomestici solo con le batterie indicate. L'uso di batterie diverse può esporre al rischio di infortuni e incendi.
    - c. Quando non è in uso, la batteria deve essere conservata lontana da oggetti metallici come graffette, monete, chiavi, chiodi, viti o altre minuterie in metallo che possono creare contatto tra i poli. Il cortocircuito dei poli di una batteria può causare ustioni o incendi.
    - d. In condizioni di sovraccarico, le pile possono perdere liquido: evitare di toccarlo. In caso di contatto accidentale, sciacquare con acqua. Se il liquido entra a contatto con gli occhi, rivolgersi ad un medico. Il liquido che fuoriesce dalla pila può causare irritazioni o ustioni.

## 6. Riparazioni

- a. Fare riparare l'elettrodomestico solo ed esclusivamente da personale specializzato e solo impiegando pezzi di ricambio originali. Ciò permetterà di conservare le condizioni di sicurezza dell'elettrodomestico.

## Ulteriori avvisi di sicurezza per l'elettrodomestico



Attenzione! Avvisi di sicurezza supplementari per cacciaviti e avvitatori a impatto

- ◆ **Eseguendo lavori in cui l'elemento di fissaggio può entrare in contatto con linee elettriche nascoste o con il cavo di alimentazione, afferrare l'elettrodomestico tramite l'apposita impugnatura isolante.** Il contatto degli elementi di fissaggio con una "linea sotto tensione", può sottoporre a tensione le parti metalliche dell'elettrodomestico e provocare una scossa elettrica.
- ◆ **Indossare protezioni acustiche per utilizzare gli avvitatori a impatto.** L'esposizione al rumore può causare la perdita dell'udito.
- ◆ **Utilizzare le impugnature ausiliarie fornite con l'elettrodomestico.** La perdita di controllo può causare lesioni.
- ◆ **Utilizzare morsetti o un altro metodo sicuro per fissare e supportare il pezzo in lavorazione su una piattaforma stabile.** Se il pezzo in lavorazione è sostenuto a mano o appoggiato al proprio corpo, rimane in posizione instabile e si possono verificare perdite di controllo.
- ◆ **Prima di avvitare gli elementi di fissaggio in pareti, pavimenti o soffitti, verificare l'ubicazione di cavi elettrici e tubazioni.**
- ◆ **Questo elettrodomestico non è destinato ad essere utilizzato da persone (bambini inclusi) con ridotte capacità fisiche, sensoriali o mentali, senza esperienza o non in possesso delle dovute conoscenze, senza la supervisione o l'addestramento sull'uso dell'elettrodomestico da parte di una persona responsabile per la loro sicurezza.** Controllare i bambini per evitare che giochino con l'elettrodomestico.
- ◆ **L'utilizzo previsto è quello indicato nel presente manuale.** L'utilizzo di qualsiasi accessorio o attrezzatura o l'uso del presente elettrodomestico per scopi diversi da quelli consigliati nel presente manuale d'istruzioni potrebbero comportare il rischio di infortuni e/o danni alle proprietà.

## Sicurezza altrui

- ◆ **Questo elettrodomestico non è destinato ad essere utilizzato da persone (bambini inclusi) con ridotte capacità fisiche, sensoriali o mentali, senza esperienza o non in possesso delle dovute conoscenze, senza la supervisione o l'addestramento da parte di una persona responsabile per la loro sicurezza.**
- ◆ **Controllare i bambini per evitare che giochino con l'elettrodomestico.**



## Rischi residui.

Altri rischi residui che possono sorgere durante l'impiego dell'elettrotensile e che possono non essere stati contemplati dagli allegati avvisi di sicurezza. Tali rischi possono sorgere a seguito di un uso prolungato o improprio, ecc.

Perfino adottando gli appositi regolamenti di sicurezza e utilizzando i dispositivi di sicurezza, certi rischi residui non possono essere evitati. Essi comprendono:

- ◆ Lesioni causate o subite a seguito del contatto con parti rotanti/in movimento.
- ◆ Lesioni causate o subite durante la sostituzione di parti, lame o accessori.
- ◆ Lesioni causate dall'impiego prolungato di un elettrotensile. Quando si usa qualsiasi elettrotensile per lunghi periodi, accertarsi di fare regolarmente delle pause.
- ◆ Problemi di udito.
- ◆ Rischi per la salute causati dall'aspirazione di polvere generata dall'utilizzo dell'elettrotensile (ad esempio quando si lavora con il legno, in modo particolare quello di quercia, faggio o l'MDF).

## Vibrazioni

I valori delle vibrazioni dichiarati nei dati tecnici e nella dichiarazione di conformità sono stati misurati in conformità ai metodi di test standard descritti in: EN 60745 e possono essere utilizzati per comparare due elettrotensili. I valori di emissioni dichiarati possono essere usati anche per una valutazione preliminare dell'esposizione.

**Attenzione!** Il valore delle vibrazioni durante l'uso dell'elettrotensile può differire dai valori dichiarati a seconda del modo in cui viene usato l'elettrotensile. Il livello di vibrazioni può aumentare rispetto al livello nominale.

Quando si valuta l'esposizione alle vibrazioni e si stabiliscono le misure di sicurezza richieste dalla direttiva 2002/44/CE per proteggere il personale che utilizza regolarmente gli elettrotensili nello svolgimento delle proprie funzioni, considerare una stima dell'esposizione alle vibrazioni, le effettive condizioni d'uso e il modo in cui l'elettrotensile viene usato, analizzando tutte le parti del ciclo operativo, ovvero i periodi in cui l'elettrotensile è spento o gira a vuoto, oltre al tempo in cui è in uso.

## Etichette sull'elettrotensile

Sull'elettrotensile sono presenti le seguenti immagini:



**Attenzione!** Per ridurre il rischio di lesioni, l'utente è tenuto a leggere il presente manuale di istruzioni.

## Istruzioni supplementari sulla sicurezza per batterie e caricatori

### Batterie

- ◆ Non tentare mai di aprire le batterie, per nessuna ragione.
- ◆ Non esporre la batteria all'acqua.
- ◆ Non esporre la batteria al calore.
- ◆ Non conservarle in ambienti in cui la temperatura possa superare i 40 °C.
- ◆ Caricare le batterie solo a temperatura ambiente compresa tra 10 °C e 40 °C.
- ◆ Caricare la batteria solo usando il caricabatterie fornito con l'elettrotensile.
- ◆ Per smaltire le batterie seguire le istruzioni riportate nel capitolo "Protezione dell'ambiente".
- ◆ Non danneggiare o deformare la batteria forandola o colpendola, in quanto ciò può esporre al rischio di infortuni e incendi.
- ◆ Non ricaricare batterie danneggiate.
- ◆ In condizioni estreme, la pila può perdere liquido. Se si osserva del liquido sulle batterie asciugarlo con attenzione utilizzando un panno. Evitare il contatto con l'epidermide.
- ◆ In caso di contatto con l'epidermide o gli occhi, osservare le seguenti istruzioni.

**Attenzione!** Il fluido delle batterie può causare lesioni o danni agli oggetti. In caso di contatto con l'epidermide, sciacquare immediatamente con acqua. Se si verificano arrossamenti, dolore o irritazioni rivolgersi a un medico. In caso di contatto con gli occhi, sciacquare immediatamente con acqua pulita e rivolgersi a un medico.

### Caricabatterie

Il caricabatterie è predisposto per essere alimentato con una specifica tensione. Controllare che la tensione di alimentazione corrisponda a quella indicata sulla targhetta con i dati caratteristici.

**Attenzione!** Non cercare di utilizzare una normale presa di corrente al posto del caricabatterie.

- ◆ Usare il caricabatterie Black & Decker soltanto per caricare le batterie fornite con l'elettrodomestico. Batterie di altro tipo possono esplodere, provocando danni a persone e cose.
- ◆ Non tentare mai di ricaricare una batteria non ricaricabile.
- ◆ Se il cavo elettrico in dotazione risulta danneggiato, deve essere sostituito dal produttore o da un Centro di assistenza autorizzato Black & Decker, onde evitare rischi.
- ◆ Sostituire immediatamente i cavi difettosi.
- ◆ Non esporre il caricabatterie all'acqua.
- ◆ Non aprire il caricabatterie.
- ◆ Non applicare i puntali di un multimetro sul caricabatterie.
- ◆ Durante la ricarica, l'apparecchio/elettrotensile/batteria devono essere collocati in un'area ben ventilata.



Il caricabatterie è destinato ad essere usato esclusivamente in ambienti interni.



Leggere il manuale di istruzioni prima dell'uso.



Trasformatore isolante a prova di guasto.

L'alimentazione di rete è separata elettricamente dall'uscita del trasformatore.



Il caricabatterie si spegne automaticamente se la temperatura ambiente sale eccessivamente. Come conseguenza, il caricabatterie diventerà inutilizzabile. L'unità dovrà essere scollegata dalla rete elettrica e portata presso un centro assistenza autorizzato per la riparazione.

### Sicurezza elettrica



Il caricabatterie è provvisto di doppio isolamento che rende superflua la messa a terra. Controllare che la tensione di alimentazione corrisponda a quella indicata sulla targhetta con i dati caratteristici.

- ◆ Se il cavo elettrico in dotazione risulta danneggiato, deve essere sostituito dal produttore o da un Centro di assistenza autorizzato Black & Decker, onde evitare rischi.
- ◆ **Attenzione!** Non cercare di utilizzare una normale presa di corrente al posto del caricabatterie.

### Funzioni

1. Interruttore on/off
2. Selettore avanti/indietro
3. Portapunta
4. Spia a LED

### Fig. A

5. Caricabatterie
6. Spina del caricabatteria

## Montaggio

### Inserimento e rimozione di una punta per trapano o per cacciavite (fig. B)

Questo elettro utensile adopera punte per cacciavite e punte per trapano con stelo esagonale da 6,35 mm.

- ◆ Per utilizzare una punta, inserire il codolo della punta nel relativo supporto (3).
- ◆ Per togliere una punta, estrarre il codolo dal relativo supporto (3).

### Uso

**Attenzione!** Lasciare che l'utensile lavori al suo ritmo, senza sovraccaricarlo.

- ◆ Prima di usare l'elettro utensile per la prima volta, la batteria deve restare in carica per almeno 9 ore.

### Carica della batteria (fig. C)

- ◆ Inserire la spina del caricabatteria (6) nel connettore (7).
- ◆ Inserire la spina del caricabatterie (5) nella presa.
- ◆ Lasciare l'elettro utensile collegato al caricabatterie per 12 ore.

Il caricabatterie può emettere ronzii e riscaldarsi durante la carica: è normale e non è indicativo di nessun problema.

**Attenzione!** Non caricare la batteria con temperature ambiente inferiori ai 10 °C o superiori ai 40 °C.

### Selezione del senso di rotazione (fig. D)

Per trapanare e avvitare, selezionare il senso di rotazione in avanti. Per svitare o per togliere una punta inceppata, selezionare il senso di rotazione indietro.

- ◆ Per selezionare la rotazione in avanti, spingere il selettore avanti/indietro (2) in avanti.
- ◆ Per selezionare la rotazione all'indietro, spingere indietro il selettore avanti/indietro (2).
- ◆ Per bloccare l'elettro utensile, collocare il selettore avanti/indietro nella posizione centrale.

### Istruzioni per trapanare/avvitare

- ◆ Selezionare il senso di rotazione usando il selettore avanti/indietro (2).
- ◆ Per accendere l'elettro utensile, premere l'interruttore on/off (1).
- ◆ Per spegnere l'elettro utensile, rilasciare l'interruttore on/off (1).

### Spia a LED

Il LED (4) si illumina automaticamente quando viene premuto l'interruttore. Il LED si illumina anche quando l'interruttore viene premuto e il selettore di direzione (avanti/indietro) (2) è in posizione di blocco (posizione centrale).

### Consigli per un'ottima utilizzazione

#### Avvitatura

- ◆ Usare sempre una punta per avvitare di tipo e misura adeguati.
- ◆ Se le viti sono difficili da stringere, provare ad applicare una piccola quantità di liquido detergente o sapone come lubrificante.
- ◆ Usare il blocco dell'alberino per allentare viti molto strette o per stringere delle viti con forza.
- ◆ Mantenere sempre l'elettro utensile e la punta in linea retta rispetto alla vite.
- ◆ Quando si lavora con il legno si consiglia di effettuare un foro pilota con una profondità uguale alla lunghezza della vite. Il foro pilota guida la vite ed evita che il legno si scheggi o si deformi. Per ottenere un foro pilota di dimensioni ottimali, consultare la tabella in basso.

- ◆ Anche quando si lavora con legno duro si consiglia di effettuare un foro con una profondità uguale alla metà della lunghezza della vite. Per ottenere un foro di dimensioni ottimali, consultare la tabella in basso.

Dimensioni delle viti	Foro pilota ø (legno morbido)	Foro pilota ø (legno duro)	Foro passante
Num. 6 (3,5 mm)	2,0 mm	2,5 mm	3,6 mm
Num. 8 (4 mm)	2,5 mm	3,0 mm	4,5 mm
Num. 10 (5 mm)	3,0 mm	3,5 mm	5,0 mm

### Istruzioni per trapanare

- ◆ Esercitare sempre una leggera pressione in linea retta con la punta.
- ◆ Prima che la punta fuoriesca dall'altra parte del pezzo in lavorazione, diminuire la pressione sull'elettrotutensile.
- ◆ Usare un blocco di legno per sostenere i pezzi in lavorazione che si possono scheggiare.
- ◆ Per aumentare l'accuratezza della trapanatura, fare una tacca con un punteruolo al centro del punto da trapanare.

### Accessori

Le prestazioni dell'utensile dipendono dall'accessorio usato. Gli accessori Black & Decker e Piranha, che sono prodotti di altissima qualità, sono stati progettati per ottimizzare la resa dell'utensile. Quando si scelgono questi accessori l'utensile offre prestazioni eccellenti.

Questo elettrotutensile impiega punte per cacciavite con codolo esagonale da 6,35 mm (1/4"). Gli accessori Piranha Super-lok sono stati disegnati appositamente per questo elettrotutensile.

### Manutenzione

Questo apparecchio/elettrotutensile con o senza filo Black & Decker è stato progettato per funzionare a lungo con un minimo di manutenzione. Per un funzionamento sempre soddisfacente è necessario avere cura dell'elettrotutensile e provvedere alla regolare pulizia. Il caricabatterie non richiede alcun tipo di manutenzione oltre a una regolare pulizia.

**Attenzione!** Prima di eseguire qualsiasi intervento di manutenzione sull'elettrotutensile, spegnerlo e disinserire la spina o, se l'elettrotutensile è dotato di batteria separabile, rimuovere la batteria. Se la batteria è integrata, farla scaricare completamente. Scollegare il caricatore dalla presa elettrica prima di pulirlo.

- ◆ Pulire regolarmente con una spazzola morbida o un panno asciutto le prese di ventilazione dell'elettrotutensile e del caricabatteria.
- ◆ Il vano del motore deve essere pulito regolarmente con un panno umido. Non usare materiali abrasivi o detergenti a base di solventi.

- ◆ Aprire regolarmente il mandrino e colpirlo leggermente per togliere tutta la polvere dall'interno (quando è installato).

### Protezione dell'ambiente



Raccolta differenziata. Questo prodotto non deve essere smaltito con i normali rifiuti domestici.

Nel caso in cui si decida di sostituire l'apparecchio oppure di disfarsene in quanto non più necessario, non dovrà essere smaltito con i normali rifiuti domestici. Smaltire il prodotto tramite raccolta differenziata.



La raccolta differenziata di prodotti e imballaggi usati, consente il riciclaggio e il riutilizzo dei materiali. Riutilizzare i materiali riciclati aiuta a prevenire l'inquinamento ambientale e riduce la richiesta di materie prime.

In base alle normative locali, i servizi per la raccolta differenziata di elettrodomestici possono essere disponibili presso i punti di raccolta municipali o presso il rivenditore, al momento dell'acquisto di un nuovo prodotto.

Black & Decker offre ai suoi clienti un servizio per la raccolta differenziata e la possibilità di riciclare i prodotti Black & Decker che hanno esaurito la loro durata in servizio. Per usufruire del servizio, è sufficiente restituire il prodotto a qualsiasi tecnico autorizzato, incaricato della raccolta per conto dell'azienda.

Per individuare il tecnico autorizzato più vicino, rivolgersi alla sede Black & Decker locale, presso il recapito indicato nel presente manuale. Altrimenti un elenco completo di tutti i tecnici autorizzati Black & Decker e i dettagli completi sui contatti e i servizi post-vendita sono disponibili sul sito Internet: [www.2helpU.com](http://www.2helpU.com)

### Batterie



Le batterie della Black & Decker si possono ricaricare più volte: al termine della loro durata in servizio, devono essere raccolte negli appositi contenitori, per garantirne lo smaltimento nel rispetto dell'ambiente.

- ◆ Non cortocircuitare i terminali della pila.
- ◆ Non smaltire la(le) batteria(e) gettandola(e) nel fuoco, ciò può causare il rischio di lesioni o di un'esplosione.
- ◆ Quando è completamente esaurita, la batteria deve essere estratta dall'elettrotutensile.
- ◆ Le batterie sono riciclabili. Le batterie devono essere imballate in modo tale da garantire che i terminali non possano essere cortocircuitati, e devono essere consegnate a un tecnico autorizzato o portate presso un impianto di riciclaggio di zona.

## Dati tecnici

KC460LN (H1)	
Tensione	V <sub>DC</sub> 3,6
Velocità a vuoto	min <sup>-1</sup> 180
Coppia di stallo	Nm 7,7
Coppia max.	Nm 3,2
Portapunta	mm 6,35 (1/4")
Peso	kg 0,4

## Batteria

Tensione	V 3,6
Tipo di batteria	Li-Ion
Capacità	Ah 1,1

## Caricabatteria 905450XX

Tensione di rete	V <sub>AC</sub> 230
Tensione di uscita	V <sub>DC</sub> 9
Amperaggio	mA 100
Tempo approssimato di carica	h 12
Peso	kg 0,4

Livello di pressione sonora, dati conformi alla norma EN 60745:

Pressione sonora (L<sub>ptA</sub>) 58,9 dB(A), incertezza (K) 3 dB(A)

Potenza acustica (L<sub>WA</sub>) 69,9 dB(A), incertezza (K) 3 dB(A)

Valori totali di vibrazione (somma vettoriale triax)  
determinati in base a EN 60745:

Foratura nel metallo (a<sub>h,d</sub>) 0,979 m/s<sup>2</sup>, incertezza (K) 1,5 m/s<sup>2</sup>

Avvitatura senza percussione (a<sub>h,s</sub>) 0,247 m/s<sup>2</sup>,  
incertezza (K) 1,5 m/s<sup>2</sup>

## Dichiarazione di conformità CE

DIRETTIVA MACCHINE



KC460LN

Black & Decker dichiara che i prodotti descritti nella sezione  
"dati tecnici" sono conformi con:

2006/42/CE, EN 60745-1, EN 60745-2-2

Per ulteriori informazioni, contattare Black & Decker ai  
seguenti indirizzi o consultare il retro del manuale.

Il sottoscritto è responsabile della compilazione del file tecnico  
e rilascia la presente dichiarazione per conto  
di Black & Decker.

Kevin Hewitt

Vicepresidente progettazione globale

Black &amp; Decker Europe, 210 Bath Road, Slough,

Berkshire, SL1 3YD

Regno Unito

23/02/2010

## Garanzia

Certa della qualità dei suoi prodotti, Black & Decker offre una garanzia eccezionale. Il presente certificato di garanzia è complementare ai diritti statutari e non li pregiudica in alcun modo. La garanzia è valida entro il territorio degli Stati membri dell'Unione Europea e dell'EFTA (European Free Trade Area).

Se un prodotto Black & Decker risulta difettoso per qualità del materiale, della costruzione o per mancata conformità entro 24 mesi dalla data di acquisto, Black & Decker garantisce la sostituzione delle parti difettose, provvede alla riparazione dei prodotti se ragionevolmente usurati oppure alla loro sostituzione, in modo da ridurre al minimo il disagio del cliente a meno che:

- ◆ Il prodotto non sia stato destinato ad usi commerciali, professionali o al noleggio;
- ◆ Il prodotto non sia stato usato in modo improprio o scorretto;
- ◆ Il prodotto non abbia subito danni causati da oggetti o sostanze estranee oppure incidenti;
- ◆ Il prodotto non abbia subito tentativi di riparazione non effettuati da tecnici autorizzati né dall'assistenza Black & Decker.

Per attivare la garanzia è necessario esibire la prova comprovante l'acquisto al venditore o al tecnico autorizzato. Per individuare il tecnico autorizzato più vicino, rivolgersi alla sede Black & Decker locale, presso il recapito indicato nel presente manuale. Altrimenti un elenco completo di tutti i tecnici autorizzati Black & Decker e i dettagli completi sui contatti e i servizi post-vendita sono disponibili su Internet presso: [www.2helpU.com](http://www.2helpU.com)

I clienti che desiderano registrare il nuovo prodotto Black & Decker e ricevere gli aggiornamenti sui nuovi prodotti e le offerte speciali, sono invitati a visitare il sito Web ([www.blackanddecker.it](http://www.blackanddecker.it)). Ulteriori informazioni sul marchio e la gamma di prodotti Black & Decker sono disponibili all'indirizzo [www.blackanddecker.it](http://www.blackanddecker.it)

## Gebruik volgens bestemming

Uw Black & Decker schroefmachine is bedoeld voor het in- en uitdraaien van schroeven en voor het boren in hout, metaal en kunststoffen. Deze machine is uitsluitend bestemd voor consumentengebruik.

## Veiligheidsvoorschriften

### Algemene veiligheidswaarschuwingen voor elektrisch gereedschap



**Waarschuwing!** Lees alle veiligheidsinstructies en alle voorschriften. Wanneer de volgende waarschuwingen en voorschriften niet in acht worden genomen, kan dit een elektrische schok, brand of ernstig letsel tot gevolg hebben.

Bewaar alle waarschuwingen en instructies zorgvuldig. Het hierna gebruikte begrip "elektrisch gereedschap" heeft betrekking op elektrische gereedschappen voor gebruik op het stroomnet (met netsnoer) of op batterijen (snoerloos).

#### 1. Veiligheid van de werkomgeving

- Houd uw werkomgeving schoon en opgeruimd. Een rommelige en een onverlichte werkomgeving kan tot ongevallen leiden.
- Werk niet met elektrische gereedschappen in een omgeving met explosiegevaar, zoals in aanwezigheid van brandbare vloeistoffen, gassen of stof. Elektrische gereedschappen veroorzaken vonken die het stof of de dampen tot ontsteking kunnen brengen.
- Houd kinderen en andere personen tijdens het gebruik van het elektrische gereedschap uit de buurt. Wanneer u wordt afgeleid, kunt u de controle over het gereedschap verliezen.

#### 2. Elektrische veiligheid

- De netstekker van het gereedschap moet in het stopcontact passen. De stekker mag in geen geval worden veranderd. Gebruik geen adapterstekkers in combinatie met geaarde gereedschappen. Onveranderde stekkers en passende stopcontacten verminderen de kans op een elektrische schok.
- Voorkom aanraking van het lichaam met geaarde oppervlakken, bijvoorbeeld buizen, verwarmingen, fornuizen en koelkasten. De kans op een elektrische schok is groter als uw lichaam geaard is.
- Stel elektrisch gereedschap niet bloot aan regen en vocht. In elektrisch gereedschap binnendringend water vergroot de kans op een elektrische schok.
- Gebruik het snoer niet voor een verkeerd doel. Gebruik het snoer niet om het gereedschap te dragen,

voor te trekken of om de stekker uit het stopcontact te trekken. Houd het snoer uit de buurt van hitte, olie, scherpe randen of bewegende delen. Beschadigde of in de war geraakte snoeren vergroten de kans op een elektrische schok.

- Gebruik wanneer u buitenshuis met elektrisch gereedschap werkt alleen verlengsnoeren die voor gebruik buitenshuis zijn goedgekeurd. Het gebruik van een voor gebruik buitenshuis geschikt verlengsnoer verkleint de kans op een elektrische schok.
- Gebruik een netvoeding voorzien van een reststroomvoorziening (RCD) indien het gebruiken van elektrisch gereedschap op een vochtige locatie onvermijdelijk is. Gebruik van een reststroomvoorziening verkleint het risico van elektrische schok.

#### 3. Veiligheid van personen

- Wees alert, let goed op wat u doet en ga met verstand te werk bij het gebruik van elektrische gereedschappen. Gebruik elektrisch gereedschap niet wanneer u moe bent of onder invloed van drugs, alcohol of medicijnen. Een moment van onoplettendheid bij het gebruik van het gereedschap kan tot ernstige verwondingen leiden.
- Gebruik persoonlijke beschermende uitrusting. Draag altijd oogbescherming. Persoonlijke beschermende uitrusting zoals een stofmasker, slipvaste werkschoenen, een veiligheidshelm of gehoorbescherming, gebruikt voor geschikte condities, verkleint het risico van verwondingen.
- Voorkom onbedoeld inschakelen. Zorg ervoor dat de schakelaar in de "uit"-stand staat voordat u de stekker in het stopcontact steekt, de accu plaatst of het gereedschap oppakt of draagt. Het dragen van het gereedschap met uw vinger aan de schakelaar of het gereedschap ingeschakeld op de stroomvoorziening aansluiten kan tot ongelukken leiden.
- Verwijder stelsleutels of moersleutels voordat u het gereedschap inschakelt. Een sleutel in een draaiend onderdeel van het elektrische gereedschap kan tot verwondingen leiden.
- Reik niet te ver. Zorg altijd dat u stevig staat en in evenwicht blijft. Daardoor kunt u het gereedschap in onverwachte situaties beter onder controle houden.
- Draag geschikte kleding. Draag geen loshangende kleding of sieraden. Houd haren, kleding en handschoenen uit de buurt van bewegende delen. Loshangende kleding, sieraden en lange haren kunnen bekneld raken in bewegende delen.
- Sluit eventueel bijgeleverde stofafzuig- of stofopvangvoorzieningen aan en gebruik ze op de juiste manier. Het gebruik van stofopvang beperkt het gevaar door stof.

4. Gebruik en onderhoud van elektrische gereedschappen
    - a. Overbelast het gereedschap niet. Gebruik voor uw toepassing het daarvoor bestemde elektrische gereedschap. Met het passende elektrische gereedschap werkt u beter en veiliger binnen het aangegeven capaciteitsbereik.
    - b. Gebruik geen elektrisch gereedschap waarvan de schakelaar defect is. Elektrisch gereedschap dat niet meer kan worden in- of uitgeschakeld is gevaarlijk en moet worden gerepareerd.
    - c. Trek de stekker uit het stopcontact en/of accu alvorens het gereedschap af te stellen, accessoires te verwisselen of elektrisch gereedschap op te bergen. Deze voorzorgsmaatregel voorkomt onbedoeld starten van het gereedschap.
    - d. Bewaar elektrische gereedschappen die niet worden gebruikt buiten bereik van kinderen. Laat personen die niet met het gereedschap vertrouwd zijn of deze aanwijzingen niet hebben gelezen niet met het gereedschap werken. Elektrische gereedschappen zijn gevaarlijk in de handen van onervaren personen.
    - e. Verzorg het gereedschap zorgvuldig. Controleer bewegende delen van het gereedschap op goede uitlijning en soepele werking. Controleer of onderdelen niet gebroken zijn of dat de werking van het gereedschap niet op enige andere wijze nadelig wordt beïnvloed. Laat beschadigde delen repareren voordat u met het gereedschap gaat werken. Veel ongevallen worden veroorzaakt door slecht onderhouden elektrische gereedschappen.
    - f. Houd snijgereedschappen scherp en schoon. Zorgvuldig onderhouden snijgereedschappen met scherpe snijkanten lopen minder snel vast en zijn gemakkelijker te sturen.
    - g. Gebruik elektrische gereedschappen, toebehoren, inzetgereedschappen en dergelijke volgens deze aanwijzingen. Let daarbij op de arbeidsomstandigheden en de uit te voeren werkzaamheden. Het gebruik van elektrische gereedschappen voor andere dan de voorziene toepassingen kan tot gevaarlijke situaties leiden.
  5. Gebruik en onderhoud van op een accu werkende gereedschappen
    - a. Laad accu's alleen op in door de fabrikant **gespecificeerde opladers**. Een voor een bepaald type accu geschikte oplader levert brandgevaar op bij gebruik met een andere accu.
    - b. Gebruik elektrische gereedschappen alleen met de daarvoor bedoelde accu's. Het gebruik van andere accu's kan letsel en brand veroorzaken.
  - c. Houd accu's die niet in gebruik zijn uit de buurt van metalen voorwerpen, zoals paperclips, munten, sleutels, spijkers, schroeven en andere kleine metalen voorwerpen, die overbrugging van de contacten kunnen veroorzaken. Kortsluiting tussen de accupolen brandwonden of brand veroorzaken.
  - d. Bij verkeerd gebruik kan vloeistof uit de batterij lekken. Voorkom contact. Spoel in geval van onbedoeld contact met water. Raadpleeg tevens een arts als de vloeistof in contact komt met de ogen. Uit de batterij gelekte vloeistof kan huidirritaties of brandwonden veroorzaken.
6. Service
    - a. Laat het elektrische gereedschap alleen repareren **door een gekwalificeerde reparateur en alleen met gebruik van originele vervangingsonderdelen**. Dit garandeert de veiligheid van het gereedschap.

### Aanvullende veiligheidsinstructies voor elektrisch gereedschap



**Waarschuwing!** Aanvullende veiligheidsinstructies voor schroevendraaiers en moerenaanzetters

- ◆ Houd het elektrische gereedschap alleen aan de geïsoleerde greepvlakken vast als u werkzaamheden uitvoert waarbij de schroef of moer verborgen stroomleidingen of het eigen snoer kan raken. Schroeven of moeren die een onder spanning staande leiding raken, zetten ook de zichtbare metalen onderdelen van het apparaat onder spanning; dit kan leiden tot een elektrische schok.
- ◆ Draag gehoorbescherming bij moerenaanzetters. Blootstelling aan lawaai kan gehoorbeschadiging veroorzaken.
- ◆ Gebruik de bij het apparaat geleverde handgrepen. Het niet in bedwang kunnen houden van het apparaat kan leiden tot letsel.
- ◆ Pas klemmen of een andere praktische werkwijze toe om het werkstuk op een stabiele ondergrond vast te klemmen en te ondersteunen. Het werkstuk met de hand vasthouden of tegen het lichaam houden zorgt voor instabiliteit en kan leiden tot controleverlies.
- ◆ Controleer muren, vloeren of plafonds voor het draaien van schroeven of moeren op de aanwezigheid van bedrading en buizen.
- ◆ Dit apparaat is niet bedoeld voor gebruik door personen (inclusief kinderen) met beperkt lichamelijk, zintuiglijk of geestelijk vermogen of gebrek aan ervaring en kennis, tenzij zij onder toezicht staan of instructie hebben gekregen over het gebruik van het apparaat van een persoon die verantwoordelijk is voor hun veiligheid. Houd toezicht op kinderen om te voorkomen dat zij met het apparaat gaan spelen.

- ◆ Deze handleiding beschrijft het bedoelde gebruik van het apparaat. Gebruik van accessoires of hulpstukken of het uitvoeren van werkzaamheden met dit apparaat die niet in deze handleiding zijn beschreven, kan leiden tot persoonlijk letsel en/of schade aan eigendommen.

### Veiligheid van anderen

- ◆ Dit apparaat is niet bedoeld voor gebruik door personen (inclusief kinderen) met beperkt lichamelijk, zintuigelijk of geestelijk vermogen, of gebrek aan ervaring en kennis, tenzij ze de supervisie of instructie is gegeven omtrent het gebruik van het apparaat door een persoon die verantwoordelijk is voor hun veiligheid.
- ◆ Houd toezicht op kinderen om te voorkomen dat zij met het apparaat gaan spelen.

### Overige risico's.

Er kunnen zich tijdens het gebruik van het gereedschap ook andere risico's voordoen die misschien niet in de bijgevoegde veiligheidswaarschuwingen worden vermeld. Deze risico's kunnen zich voordoen als gevolg van onoordeelkundig gebruik, langdurig gebruik, enz.

Zelfs als de veiligheidsvoorschriften in acht worden genomen en de veiligheidsvoorzieningen worden geïmplementeerd, kunnen bepaalde risico's niet worden vermeden. Deze omvatten:

- ◆ **Verwondingen die worden veroorzaakt door het aanraken van draaiende of bewegende onderdelen.**
- ◆ **Verwondingen die worden veroorzaakt bij het vervangen van onderdelen, bladen of accessoires.**
- ◆ **Verwondingen die worden veroorzaakt door langdurig gebruik van het gereedschap.** Als u langere periodes met het gereedschap werkt, is het raadzaam om regelmatig een pauze in te lassen.
- ◆ **Gehoorbeschadiging.**
- ◆ **Gezondheidsrisico's als gevolg van het inademen van stof dat door gebruik van het gereedschap wordt veroorzaakt** (bijvoorbeeld tijdens het werken met hout, vooral eiken, beuken en MDF.)

### Vibratie

De verklaarde trillingsafgifte in het gedeelte van de technische gegevens / conformiteitsverklaring zijn gemeten volgens een standaard testmethode vastgesteld door EN 60745 en kan worden gebruikt om apparaten met elkaar te vergelijken. De verklaarde trillingsafgifte kan ook worden gebruikt in een voorlopige beoordeling van blootstelling.

**Waarschuwing!** De waarde van de trillingsafgifte tijdens daadwerkelijk gebruik van elektrisch gereedschap kan afwijken van de verklaarde waarde afhankelijk op wat voor manieren het apparaat wordt gebruikt. Het trillingsniveau kan toenemen boven het aangegeven niveau.

Bij het bepalen van de trillingsblootstelling ter vaststelling van de veiligheidsmaatregelen vereist door 2002/44/EG - ter bescherming van personen die werkmagig geregeld elektrisch gereedschap gebruiken - dient een inschatting van de trillingsblootstelling de feitelijke gebruikscondities en bedieningswijze in acht te nemen, inclusief alle onderdelen van de bedieningscyclus, zoals het uitschakelen van het apparaat en het onbelast laten lopen alsmede de trekkertijd.

### Labels op de machine

Op de machine vindt u de volgende pictogrammen:



**Waarschuwing!** De gebruiker moet de handleiding lezen om risico op letsel te verkleinen

### Aanvullende veiligheidsvoorschriften voor accu's en opladers

#### Accu's

- ◆ Probeer nooit een accu te openen.
- ◆ Stel de accu niet aan water bloot.
- ◆ Stel de accu niet aan warmtebronnen bloot.
- ◆ Bewaar accu's niet op plaatsen waar de temperatuur hoger kan worden dan 40 °C.
- ◆ Laad accu's uitsluitend op bij een omgevingstemperatuur tussen 10 °C en 40 °C.
- ◆ Laad accu's uitsluitend op met behulp van de meegeleverde oplader.
- ◆ Volg bij het weggooiën van accu's de instructies in de paragraaf 'Milieu' op.
- ◆ Beschadig en vervorm de accu niet door het lek prikken en door botsing, omdat dit letsel en brandgevaar op kan leveren.
- ◆ Laad geen beschadigde accu's op.
- ◆ Onder extreme gebruikscondities kan er vloeistof uit de accu vrijkomen. Als u vloeistof op de batterijen opmerkt, verwijder met behulp van een doekje voorzichtig de vloeistof van de accu. Vermijd huidcontact.
- ◆ Als de vloeistof toch in aanraking komt met de huid of de ogen, volgt u de onderstaande instructies op.

**Waarschuwing!** De accuvloeistof kan ernstig letsel of schade aan eigendommen veroorzaken. Indien accuvloeistof met de huid in aanraking is gekomen, spoel dan de huid onmiddellijk met water af. Raadpleeg in geval van rode uitslag, pijn of irritatie onmiddellijk een arts. Indien accuvloeistof met het oog in aanraking is gekomen, spoel dan onmiddellijk het oog met water.

#### Opladers

Uw oplader is ontwikkeld voor een bepaalde spanning. Controleer altijd of de netspanning overeenkomt met het voltage op het typeplaatje.

**Waarschuwing!** Vervang de oplader nooit door een netstekker.

- ◆ Gebruik uw Black & Decker oplader uitsluitend voor het opladen van accu's van het meegeleverde type. Andere accu's kunnen scheuren en zo letsel en materiële schade veroorzaken.
- ◆ Probeer nooit niet-oplaadbare accu's op te laden.
- ◆ Laat een beschadigd netsnoer vervangen door de fabrikant of een erkend Black & Decker Servicecentrum om gevaren te voorkomen.
- ◆ Laat een defect netsnoer onmiddellijk vervangen.
- ◆ Stel de oplader niet aan water bloot.
- ◆ Open de oplader niet.
- ◆ Doorboor de oplader niet.
- ◆ De machine/accu moet tijdens het opladen in goed geventileerde ruimte worden geplaatst.



De oplader is uitsluitend bedoeld voor gebruik binnenshuis.



Lees voor gebruik de gebruiksaanwijzing.



Storingbestendige scheidingstransformator.  
De netspanning is elektrisch gescheiden van de uitgangsspanning van de transformator.



De oplader sluit automatisch af als de omgevingstemperatuur te hoog wordt. Dit stelt de oplader buiten werking. Koppel het apparaat eenheid los van de netspanning en breng het voor reparatie naar een erkend servicecentrum.

## Elektrische veiligheid



Uw oplader is dubbel geïsoleerd; een aardaansluiting is daarom niet noodzakelijk. Controleer altijd of de netspanning overeenkomt met het voltage op het typeplaatje.

- ◆ Laat een beschadigd netsnoer vervangen door de fabrikant of een erkend Black & Decker Servicecentrum om gevaren te voorkomen.
- ◆ **Waarschuwing!** Vervang de oplader nooit door een netstekker.

## Onderdelen

1. Aan/uit-schakelaar
2. Links/rechtsschuif
3. Bithouder
4. LED

## Fig. A

5. Oplader
6. Opladerstekker

## Assemblage

### Monteren en verwijderen van een boor of schroefbit (fig. B)

Deze machine is geschikt voor schroefbits en boren met een 6,35 mm zeskantschacht.

- ◆ Om een bit te plaatsen, steekt u de schacht van het bit in de bithouder (3).
- ◆ Trek om een bit te verwijderen de schacht van het bit uit de bithouder (3).

## Gebruik

**Waarschuwing!** Laat de machine op haar eigen tempo werken. Niet overbelasten.

- ◆ Voor het eerste gebruik moet de accu ten minste 9 uur worden opgeladen.

### Opladen van de accu (fig. C)

- ◆ Steek de opladerstekker (6) in de connector (7).
- ◆ Steek de stekker van de oplader (5) in het stopcontact.
- ◆ Laat het apparaat gedurende 12 uur opladen.

Tijdens het opladen kan de oplader zacht brommen en warm aanvoelen. Dit is normaal en duidt niet op een defect.

**Waarschuwing!** Laad de accu niet op bij omgevingstemperaturen onder 10 °C of boven 40 °C.

### De draairichting selecteren (fig. D)

Kies voor boren en schroeven indraaien de draairichting rechtsom. Kies voor schroeven losdraaien of voor het verwijderen van een vastgelopen boor de draairichting linksom.

- ◆ Om de draairichting rechtsom te selecteren, drukt u de links/rechts-schakelaar (2) naar voren.
- ◆ Om de draairichting linksom te selecteren, drukt u de links/rechts-schakelaar (2) naar achteren.
- ◆ Zet om het apparaat te vergrendelen de links/rechtsschuif in de middenstand.

## Boren/schroeven draaien

- ◆ Selecteer de draairichting linksom of rechtsom met behulp van de links/rechtsschuif (2).
- ◆ Druk om het apparaat in te schakelen op de aan/uitschakelaar (1).
- ◆ Ontgrendel om het apparaat uit te schakelen de aan/uitschakelaar (1).

## LED

De LED (4) wordt automatisch geactiveerd wanneer de trekkerschakelaar wordt ingedrukt. De LED zal ook gaan branden wanneer de trekker wordt ingedrukt en de links/rechtsschuif (2) zich in de ontgrendelde positie bevindt (middenpositie).



## Tips voor optimaal gebruik

### Schroeven

- ◆ Gebruik altijd het juiste type en de juiste maat schroefbit.
- ◆ Gebruik bij moeilijk in te draaien schroeven een beetje vloeibaar wasmiddel of zeep als smeermiddel.
- ◆ Gebruik het spilslot om zeer vastzittende schroeven los te draaien of om schroeven stevig vast in te draaien.
- ◆ Houd het apparaat en de schroefbit altijd in een rechte lijn met de schroef.
- ◆ Bij in hout schroeven wordt aangeraden om eerst een gaatje te boren met een diepte gelijk aan de schroeflengte. Dit voorgeboorde gat geleidt de schroef en voorkomt dat het hout gaat splinteren of splijten. Raadpleeg de onderstaande tabel voor de optimale maat van het voorgeboorde gat.
- ◆ Boor bij schroeven in hardhout eerst een hulpgat met een diepte gelijk aan de helft van de schroeflengte. Raadpleeg de onderstaande tabel voor de optimale maat van het hulpgat.

Schroefmaat	Voorgeboord	Voorgeboord	Hulpgat
	gat $\phi$ (zachthout)	gat $\phi$ (hardhout)	
Nr. 6 (3,5 mm)	2,0 mm	2,5 mm	3,6 mm
Nr. 8 (4 mm)	2,5 mm	3,0 mm	4,5 mm
Nr. 10 (5 mm)	3,0 mm	3,5 mm	5,0 mm

### Boren

- ◆ Voer altijd lichte druk uit in een rechte lijn met de boor.
- ◆ Verminder de druk op de machine net voordat de boorpunt door de andere kant van het werkstuk heengaat.
- ◆ Gebruik een blok hout om werkstukken die kunnen versplinteren te beschermen.
- ◆ Maak een inkerving met behulp van een centerpons in het midden van het te boren gat om de nauwkeurigheid te vergroten.

### Accessoires

De prestaties van uw machine hangen af van welke accessoire u gebruikt. Black & Decker en Piranha accessoires zijn ontwikkeld om te voldoen aan hoge kwaliteitseisen en ontworpen om de prestaties van uw machine te verbeteren. Met behulp van deze accessoires haalt u het beste uit uw machine.

Dit apparaat is geschikt voor schroefbits met een 6,35 mm (1/4") zeskantschacht. Piranha Super-lok accessoires zijn speciaal ontwikkeld voor gebruik met deze machine.

### Onderhoud

Uw Black & Decker machine met/zonder snoer is ontworpen om gedurende langere periode te functioneren met een minimum aan onderhoud. Voortdurend tevreden gebruik is afhankelijk van correct onderhoud en regelmatig

schoonmaken. Uw oplader behoeft geen ander onderhoud dan een regelmatige reiniging.

**Waarschuwing!** Zorg vóór aanvang van onderhoudswerkzaamheden dat de machine is uitgeschakeld en de netstekker van het lichtnet is losgekoppeld of verwijderd de accu van de machine indien de machine een aparte accu heeft. Laat de accu volledig leeglopen indien de accu geïntegreerd is. Haal voor het reinigen van de oplader de stekker uit het stopcontact.

- ◆ Reinig regelmatig de ventilatieopeningen van de machine en oplader met behulp van een zachte borstel of een droge doek.
- ◆ Reinig regelmatig de behuizing van de motor met een vochtige doek. Gebruik geen schuur- of oplosmiddel bij het reinigen.
- ◆ Open regelmatig de boorhouder en tik zachtjes om eventueel stof uit de binnenkant te verwijderen (indien aanwezig).

### Milieu



Gescheiden inzameling. Dit product mag niet met het gewone huishoudelijke afval worden weggegooid.

Wanneer uw oude Black & Decker product aan vervanging toe is of het u niet langer van dienst kan zijn, gooi het dan niet bij het huishoudelijk afval. Zorg ervoor dat het product gescheiden kan worden ingezameld.



Door gebruikte producten en verpakkingen gescheiden in te zamelen, worden de materialen gerecycled en opnieuw gebruikt. Hergebruik van gerecyclede materialen voorkomt milieuvervuiling en vermindert de vraag naar grondstoffen.

Inzamelpunten voor gescheiden inzameling van elektrische huishoudproducten bij gemeentelijke vuilnisbergen of bij de verkoper waar u een nieuw product koopt, kunnen aan plaatselijke voorschriften gebonden zijn.

Black & Decker biedt de mogelijkheid tot inzamelen en recyclen van afgedankte Black & Decker producten. Om gebruik van deze service te maken, dient u het product aan een van onze servicecentra te sturen, die voor ons de inzameling verzorgen.

U kunt het adres van het dichtstbijzijnde servicecentrum opvragen via de adressen op de achterzijde van deze handleiding. U kunt ook een lijst van onze servicecentra en meer informatie m.b.t. onze klantenservice vinden op het volgende Internet-adres: [www.2helpU.com](http://www.2helpU.com)

Accu's



Versleten accu's dienen op milieubewuste wijze te worden verwijderd:

- ◆ Sluit de batterijpolen niet kort.
- ◆ Gooi de accu('s) niet weg in vuur. Dit kan persoonlijk letsel of een explosie veroorzaken.
- ◆ Gebruik de energie van de accu helemaal op en verwijder hem dan van de machine.
- ◆ Accu's zijn te recyclen. Plaats de accu('s) in een geschikte verpakking, zodat de accucontacten niet kunnen worden kortgesloten. Breng ze naar een servicecentrum of naar een plaatselijk verwerkingscentrum voor klein chemisch afval.

Technische gegevens

	KC460LN (H1)	
Spanning	V <sub>DC</sub>	3,6
Onbelast toerental	min <sup>-1</sup>	180
Vastlooppoppel	Nm	7,7
Max. koppel	Nm	3,2
Bithouder	mm	6,35 (1/4")
Gewicht	kg	0,4

Accu

Spanning	V	3,6
Accutype		Li-Ion
Capaciteit	Ah	1,1

Oplader 905450XX

Netspanning	V <sub>AC</sub>	230
Netspanning	V <sub>DC</sub>	9
Amperage	mA	100
Gemiddelde oplaadtijd	h	12
Gewicht	kg	0,4

Niveau van de geluidsdruk, gemeten volgens EN 60745:

Geluidsdruk (L<sub>PA</sub>) 58,9 dB(A), onzekerheid (K) 3 dB(A)

Geluidsvermogen (L<sub>WA</sub>) 69,9 dB(A), onzekerheid (K) 3 dB(A)

Totale trillingswaarden (triaxiale vectorsom) volgens EN 60745:

Boren in metaal (a<sub>n,D</sub>) 0,979 m/s<sup>2</sup>, onzekerheid (K) 1,5 m/s<sup>2</sup>

In- en uitdraaien van schroeven zonder

stootkracht (a<sub>n,s</sub>) 0,247 m/s<sup>2</sup>, onzekerheid (K) 1,5 m/s<sup>2</sup>

EG-conformiteitsverklaring

MACHINERICHTLIJN



KC460LN

Black & Decker verklaart dat deze producten, zoals onder "technische gegevens" beschreven, overeenkomstig zijn met: 2006/42/EG, EN 60745-1, EN 60745-2-2

Neem voor meer informatie contact op met Black & Decker via het volgende adres of zie de achterzijde van de handleiding. De ondergetekende is verantwoordelijk voor de samenstelling van de technische gegevens en geeft deze verklaring namens Black & Decker.

Kevin Hewitt

Vice-President Global Engineering

Black & Decker Europe, 210 Bath Road, Slough,

Berkshire, SL1 3YD

Verenigd Koninkrijk

23/02/2010

Garantie

Black & Decker heeft vertrouwen in zijn producten en biedt een uitstekende garantie. Deze garantiebepalingen vormen een aanvulling op uw wettelijke rechten en beperken deze niet. De garantie geldt in de lidstaten van de Europese Unie en de Europese Vrijhandelsassociatie.

Mocht uw Black & Decker product binnen 24 maanden na datum van aankoop defect raken tengevolge van materiaal- of constructiefouten, dan garanderen wij de kosteloze vervanging van defecte onderdelen, de reparatie van het product of de vervanging van het product, tenzij:

- ◆ Het product is gebruikt voor handelsdoeleinden, professionele toepassingen of verhuurdoeleinden;
- ◆ Het product onoordeelkundig is gebruikt;
- ◆ Het product is beschadigd door invloeden van buitenaf of door een ongeval;
- ◆ Reparaties zijn uitgevoerd door anderen dan onze servicecentra of Black & Decker personeel.

Om een beroep op de garantie te doen, dient u een aankoopbewijs te overhandigen aan de verkoper of een van onze servicecentra. U kunt het adres van het dichtstbijzijnde servicecentrum opvragen via de adressen op de achterzijde van deze handleiding. U kunt ook een lijst van onze servicecentra en meer informatie m.b.t. onze klantenservice vinden op het volgende Internet-adres: [www.2helpU.com](http://www.2helpU.com) Meld u aan op onze website [www.blackanddecker.nl](http://www.blackanddecker.nl) om te worden geïnformeerd over nieuwe producten en speciale aanbiedingen. Verdere informatie over het merk Black & Decker en onze producten vindt u op [www.blackanddecker.nl](http://www.blackanddecker.nl)

## Finalidad

El atornillador compacto Black & Decker se ha diseñado para aplicaciones de atornillado así como para taladrar madera, metal y plástico. Esta herramienta está pensada únicamente para uso doméstico.

## Instrucciones de seguridad

### Advertencias de seguridad generales para herramientas eléctricas



¡Atención! Lea todas las advertencias e instrucciones de seguridad. En caso de no respetarse las advertencias e instrucciones indicadas a continuación, podría producirse una descarga eléctrica, incendio y/o lesión grave.

Conserve todas las advertencias e instrucciones para su posterior consulta. El término "herramienta eléctrica" empleado en las advertencias indicadas a continuación se refiere a la herramienta eléctrica con alimentación de red (con cable) o alimentada por batería (sin cable).

1. Seguridad del área de trabajo
  - a. Mantenga limpia y bien iluminada el área de trabajo. El desorden o una iluminación deficiente en las áreas de trabajo pueden provocar accidentes.
  - b. No utilice la herramienta eléctrica en un entorno con peligro de explosión, en el que se encuentren combustibles líquidos, gases o material en polvo. Las herramientas eléctricas producen chispas que pueden llegar a inflamar los materiales en polvo o vapores.
  - c. Mantenga alejados a los niños y otras personas del área de trabajo al emplear la herramienta eléctrica. Una distracción le puede hacer perder el control sobre la herramienta.
2. Seguridad eléctrica
  - a. El enchufe de la herramienta eléctrica debe corresponder a la toma de corriente utilizada. No es **admisibles modificar el enchufe en forma alguna**. No emplee adaptadores en herramientas eléctricas dotadas con una toma de tierra. Los enchufes sin modificar adecuados a las respectivas tomas de corriente reducen el riesgo de una descarga eléctrica.
  - b. Evite que su cuerpo toque partes conectadas a tierra como tuberías, radiadores, cocinas y refrigeradores. El riesgo a quedar expuesto a una descarga eléctrica es mayor si su cuerpo tiene contacto con tierra.
  - c. No exponga las herramientas eléctricas a la lluvia y evite que penetren líquidos en su interior. Existe el peligro de recibir una descarga eléctrica si penetran ciertos líquidos en la herramienta eléctrica.
3. Seguridad personal
  - a. Esté atento a lo que hace y emplee la herramienta eléctrica con prudencia. No utilice la herramienta eléctrica si estuviese cansado, ni tampoco después de haber consumido alcohol, drogas o medicamentos. El no estar atento durante el uso de una herramienta eléctrica puede provocar serias lesiones.
  - b. Utilice equipos de protección personal. Lleve siempre protección ocular. Los equipos de protección tales como una mascarilla antipolvo, zapatos de seguridad con suela antideslizante, casco o protectores auditivos, utilizados en condiciones adecuadas, contribuyen a reducir las lesiones personales.
  - c. Evite una puesta en marcha involuntaria. Asegúrese de que el interruptor esté en la posición de apagado antes de conectar a la fuente de alimentación o la batería, coger o transportar la herramienta. Si se transportan herramientas eléctricas con el dedo sobre el interruptor o si se enchufan con el interruptor encendido puede dar lugar a accidentes.
  - d. **Retire las herramientas de ajuste o llaves fijas antes de conectar la herramienta eléctrica.** Una herramienta o llave colocada en una pieza giratoria de la herramienta eléctrica puede producir lesiones al ponerse a funcionar.
  - e. Sea precavido. Evite adoptar una posición que fatigue su cuerpo; mantenga un apoyo firme sobre el suelo y conserve el equilibrio en todo momento. Ello le permitirá controlar mejor la herramienta eléctrica en caso de presentarse una situación inesperada.
  - f. Lleve puesta una vestimenta de trabajo adecuada. No lleve vestidos anchos ni joyas. Mantenga su pelo, vestimenta y guantes alejados de las piezas móviles. La vestimenta suelta, las joyas y el pelo largo se pueden enganchar con las piezas en movimiento.
- d. Cuide el cable eléctrico. No utilice el cable eléctrico para transportar o colgar la herramienta eléctrica, ni tire de él para sacar el enchufe de la toma de corriente. Mantenga el cable eléctrico alejado del calor, aceite, bordes afilados o piezas móviles. Los cables eléctricos dañados o enredados pueden provocar una descarga eléctrica.
- e. Al trabajar con la herramienta eléctrica en la intemperie utilice solamente cables alargadores homologados para su uso en exteriores. La utilización de un cable alargador adecuado para su uso en exteriores reduce el riesgo de una descarga eléctrica.
- f. Si fuera inevitable la utilización de una herramienta eléctrica en un lugar húmedo, utilice un suministro protegido con un dispositivo de corriente residual (RCD). La utilización de un dispositivo de corriente residual reduce el riesgo de descarga eléctrica.

- g. Siempre que sea posible utilizar unos equipos de aspiración o captación de polvo, asegúrese que éstos estén montados y que sean utilizados correctamente. El empleo de equipos de recogida de polvo reduce los riesgos derivados del polvo.
4. Uso y cuidado de herramientas eléctricas
- a. No sobrecargue la herramienta eléctrica. Use la herramienta eléctrica prevista para el trabajo a realizar. Con la herramienta eléctrica adecuada podrá trabajar mejor y más seguro dentro del margen de potencia indicado.
- b. No utilice herramientas eléctricas con un interruptor defectuoso. Las herramientas eléctricas que no se puedan conectar o desconectar son peligrosas y deben hacerse reparar.
- c. Desconecte el enchufe de la fuente eléctrica y/o la batería de la herramienta eléctrica antes de realizar ajustes, cambiar accesorios o almacenar la herramienta eléctrica. Esta medida preventiva reduce el riesgo de conectar accidentalmente la herramienta eléctrica.
- d. Guarde las herramientas eléctricas fuera del alcance de los niños y de las personas que no estén familiarizadas con su uso. Las herramientas eléctricas utilizadas por personas inexpertas son peligrosas.
- e. Cuide sus herramientas eléctricas con esmero. Controle si funcionan correctamente, sin atascarse, las partes móviles de la herramienta eléctrica, y si existen partes rotas o deterioradas que pudieran afectar al funcionamiento de la herramienta. Si la herramienta eléctrica estuviese defectuosa haga que la reparen antes de volver a utilizarla. Muchos accidentes se deben a herramientas eléctricas con un mantenimiento deficiente.
- f. **Mantenga las herramientas de corte limpias y afiladas.** Las herramientas de corte mantenidas correctamente se dejan guiar y controlar mejor.
- g. Utilice la herramienta eléctrica, los accesorios y las puntas de la herramienta, etc. de acuerdo a estas instrucciones, teniendo en cuenta las condiciones de trabajo y la tarea a realizar. El uso de herramientas eléctricas para trabajos diferentes de aquellos para los que han sido concebidas puede resultar peligroso.
5. Uso y cuidado de herramientas con batería
- a. Recargue la batería únicamente con el cargador **especificado por el fabricante**. Un cargador adecuado para un tipo de batería puede provocar un incendio si se utiliza con otra batería.
- b. Use las herramientas únicamente con las baterías **específicamente designadas**. El uso de cualquier otra batería puede provocar lesiones o un incendio.
- c. Cuando no utilice la batería, manténgala alejada de objetos metálicos como clips, monedas, llaves, clavos, tornillos, o cualquier otro objeto metálico pequeño que pueda dar lugar a una conexión entre los bornes. El cortocircuito entre los bornes de la batería puede ocasionar quemaduras o un incendio.
- d. Un mal uso puede dar lugar a que la batería pierda líquido; evite cualquier contacto con el líquido. Si accidentalmente entra en contacto con el líquido, enjuáguese con agua. Si le entra líquido en los ojos, busque rápidamente asistencia médica. El líquido que pierde la batería puede ocasionar irritación o quemaduras.
6. Servicio técnico
- a. Haga reparar su herramienta eléctrica sólo por personal técnico autorizado que emplee exclusivamente piezas de repuesto originales. Solamente así se garantiza la seguridad de la herramienta eléctrica.

## Advertencias de seguridad adicionales para herramientas eléctricas



¡Atención! Advertencias de seguridad adicionales para atomilladores y llaves de impacto

- ◆ Sujete la herramienta eléctrica únicamente por las empuñaduras aisladas al realizar trabajos en los que **el elemento de fijación pueda tocar cables eléctricos ocultos o su propio cable**. Los elementos de fijación que hagan contacto con cables con corriente pueden hacer que las partes metálicas al descubierto de la herramienta eléctrica provoquen una descarga al usuario.
- ◆ Lleve protección acústica cuando utilice llaves de impacto. La exposición al ruido puede provocar la pérdida de audición.
- ◆ Utilice las empuñaduras auxiliares que se suministran con la herramienta. La pérdida de control puede provocar lesiones personales.
- ◆ **Utilice mordazas u otra forma práctica para fijar y soportar la pieza de trabajo a una plataforma estable.** Sujetar el trabajo a mano o contra su cuerpo hace que pierda estabilidad y puede provocar la pérdida de control.
- ◆ Antes de introducir elementos de fijación en paredes, suelos o techos, compruebe la ubicación de cableados y tuberías.
- ◆ Esta herramienta no está destinada para ser utilizada por personas (niños incluidos) con capacidades físicas, sensoriales o mentales reducidas, o que carezcan de experiencia y conocimiento, a menos que reciban supervisión o instrucción respecto al uso de la misma por una persona responsable de su seguridad. Debe vigilarse a los niños para asegurarse de que no jueguen con el aparato.

- ◆ En este manual de instrucciones se explica el uso previsto. El uso de otros accesorios, adaptadores, o la propia utilización de la herramienta en cualquier forma diferente de las recomendadas en este manual de instrucciones puede constituir un riesgo de lesiones a las personas y/o daños materiales.

### Seguridad de otras personas

- ◆ Este aparato no está destinado para ser utilizado por personas (niños incluidos) con capacidades físicas, sensoriales o mentales reducidas, o que carezcan de experiencia y conocimiento, a menos que reciban supervisión o instrucción respecto al uso del aparato por una persona responsable de su seguridad.
- ◆ Debe vigilarse a los niños para asegurarse de que no jueguen con el aparato.

### Riesgos residuales.

El uso de esta herramienta puede producir riesgos residuales adicionales no incluidos en las advertencias de seguridad adjuntas. Estos riesgos se pueden generar por un uso incorrecto, demasiado prolongado, etc.

El cumplimiento de las normas de seguridad correspondientes y el uso de dispositivos de seguridad no evitan ciertos riesgos residuales. Estos riesgos incluyen:

- ◆ Lesiones producidas por el contacto con piezas móviles o giratorias.
- ◆ Lesiones producidas al cambiar cualquier pieza, cuchilla o accesorio.
- ◆ Lesiones producidas al usar una herramienta por un tiempo demasiado prolongado. Si utiliza una herramienta durante períodos de tiempo demasiado prolongados, asegúrese de realizar pausas con frecuencia.
- ◆ Discapacidad auditiva.
- ◆ Riesgos para la salud producidos al respirar el polvo que se genera al usar la herramienta (por ejemplo: en los trabajos con madera, especialmente de roble, haya y tableros de densidad mediana).

### Vibración

Los valores declarados de emisión de vibración indicados en los datos técnicos y la declaración de conformidad se han medido de acuerdo a un método de prueba estándar contemplado por la EN 60745 y puede utilizarse para comparar una herramienta con otra. El valor declarado de emisión de vibración también puede utilizarse en una evaluación preliminar de exposición.

¡Atención! El valor de emisión de vibración durante el uso real de la herramienta eléctrica puede variar del valor declarado en función del modo de utilización de la herramienta. El nivel de vibración puede aumentar por encima del valor indicado.

Cuando se evalúe la exposición a la vibración con el fin de determinar las medidas de seguridad exigidas por la 2002/44/CE para proteger a las personas que utilizan herramientas eléctricas en su empleo con regularidad, una estimación de la exposición a la vibración debe considerar las condiciones reales de uso y la forma en que se utiliza la herramienta, teniendo en cuenta incluso todas las partes del ciclo de trabajo como los momentos en que la herramienta se apaga y cuando está conectada sin funcionar además del tiempo de accionamiento.

### Etiquetas sobre la herramienta

En la herramienta se indican los siguientes pictogramas:



¡Atención! Para reducir el riesgo de lesiones, el usuario debe leer el manual de instrucciones.

### Instrucciones de seguridad adicionales para baterías y cargadores

#### Baterías

- ◆ Nunca, por ningún motivo, trate de abrir las baterías.
- ◆ No exponga la batería al agua.
- ◆ No exponga la batería al calor.
- ◆ No las almacene en lugares donde la temperatura pueda superar los 40 °C.
- ◆ Cargue las baterías únicamente a temperaturas entre 10° y 40 °C.
- ◆ Recargue utilizando únicamente el cargador suministrado con la herramienta.
- ◆ Cuando deseche las baterías, siga las instrucciones indicadas en la sección "Protección del medio ambiente".
- ◆ No dañe ni deforme la batería mediante perforaciones o impactos, ya que esto puede generar un riesgo de lesiones e incendio.
- ◆ No cargue una batería que haya sufrido daños.
- ◆ Bajo condiciones extremas, las baterías podrían perder líquido. Cuando observe la presencia de líquido en las baterías, limpie éste con cuidado utilizando un paño. Evite el contacto con la piel.
- ◆ En caso de producirse contacto con la piel o los ojos, siga estas instrucciones.

¡Atención! El líquido de las baterías puede provocar lesiones personales y daños materiales. En caso de que entre en contacto con la piel, lávese inmediatamente con agua. En caso de producirse enrojecimiento, dolor o irritación, acuda a un médico. En caso de contacto con los ojos, enjuáguelos inmediatamente con agua clara y acuda al médico.

#### Cargadores

El cargador ha sido diseñado para una tensión determinada. Compruebe siempre que la tensión de la red corresponda al valor indicado en la placa de características.

¡Atención! No intente nunca sustituir el cargador por un enchufe normal a la red.

- ◆ Use el cargador Black & Decker únicamente para cargar baterías del tipo suministrado. Otras baterías podrían estallar, causando daños y lesiones personales.
- ◆ Nunca intente cargar baterías no recargables.
- ◆ Si el cable eléctrico está estropeado, debe ser sustituido por el fabricante o un servicio técnico autorizado de Black & Decker con el fin de evitar accidentes.
- ◆ Sustituya inmediatamente los cables defectuosos.
- ◆ No exponga el cargador al agua.
- ◆ No abra el cargador.
- ◆ No manipule el cargador.
- ◆ El aparato/la herramienta/la batería debe colocarse en un lugar bien ventilado durante la carga.



El cargador está pensado únicamente para su uso en interiores.



Antes de la utilización, lea el manual de instrucciones.



Transformador aislante a prueba de averías La alimentación de corriente está separada eléctricamente de la salida del transformador.



El cargador se desconecta automáticamente si la temperatura ambiente es demasiado elevada. A consecuencia de esto el cargador quedará inoperativo. La unidad debe desconectarse del suministro de red y llevarse a un centro de servicio técnico autorizado para su reparación.

## Seguridad eléctrica



El cargador lleva un doble aislamiento; por lo tanto no requiere una toma a tierra. Compruebe siempre que la tensión de la red corresponda al valor indicado en la placa de características.

- ◆ Si el cable eléctrico está estropeado, debe ser sustituido por el fabricante o un servicio técnico autorizado de Black & Decker con el fin de evitar accidentes.
- ◆ ¡Atención! No intente nunca sustituir el cargador por un enchufe normal a la red.

## Características

1. Interruptor de encendido/apagado
2. Guía de deslizamiento de avance/retroceso
3. Portapuntas
4. Luz LED

## Fig. A

5. Cargador
6. Clavija del cargador

## Montaje

### Colocación y extracción de una broca de taladrar o una broca de atornillar (fig. B)

Esta herramienta usa brocas de destornillador y de taladrar con una espiga hexagonal de 6,35 mm.

- ◆ Para acoplar una punta, inserte el eje de la punta en el portapuntas (3).
- ◆ Para retirar una punta, saque el eje de la punta del portapuntas (3).

## Uso

¡Atención! Deje que la herramienta funcione a su ritmo. No lo sobrecargue.

- ◆ Antes del primer uso, cargue la batería durante 9 horas como mínimo.

### Carga de la batería (fig. C)

- ◆ Inserte la clavija del cargador (6) en el conector (7).
- ◆ Enchufe el cargador (5).
- ◆ Deje la herramienta conectada al cargador durante 12 horas.

Durante la carga es posible que el cargador emita un zumbido y se caliente; esto es normal y no es indicio de ningún problema.

¡Atención! No cargue la batería a una temperatura ambiente inferior a 10° o superior a 40° C.

### Selección de la dirección de rotación (fig. D)

Para taladrar y apretar tornillos, use la rotación directa. Para aflojar tornillos o para extraer una broca atascada, use la rotación inversa.

- ◆ Para seleccionar la rotación directa, empuje la guía de deslizamiento de avance/retroceso (2) hacia la posición delantera.
- ◆ Para seleccionar la rotación inversa, empuje la guía de deslizamiento de avance/retroceso (2) hacia la posición trasera.
- ◆ Para bloquear la herramienta, coloque la guía de deslizamiento de avance/retroceso en la posición central.

### Taladrado/atornillado

- ◆ Seleccione la rotación directa o inversa usando la guía de deslizamiento de avance/retroceso (2).
- ◆ Para encender la herramienta, pulse el interruptor de encendido/apagado (1).
- ◆ Para apagar la herramienta, suelte el interruptor de encendido/apagado (1).

## Luz LED

La luz LED (4) se activa automáticamente cuando se presiona el gatillo. El LED también se iluminará cuando el gatillo esté pulsado y la guía de deslizamiento de avance/retroceso (2) esté en la posición de bloqueo de apagado (posición central).

## Consejos para un uso óptimo

### Atornillado

- ◆ Use siempre el tipo y el tamaño adecuado de punta.
- ◆ Si le resulta difícil apretar los tornillos, intente aplicar una pequeña cantidad de jabón o líquido jabonoso como lubricante.
- ◆ Utilice el bloqueo de husillo para aflojar tornillos muy apretados o para apretarlos firmemente.
- ◆ Sujete siempre la herramienta y la punta en línea recta con el tornillo.
- ◆ Al atornillar en madera, se recomienda hacer un taladro de guía con una profundidad igual a la longitud del tornillo. Este taladro sirve de guía al tornillo e impide que la madera se astille o deforme. Para conocer el tamaño óptimo del taladro de guía, consulte la tabla siguiente.
- ◆ Al atornillar sobre madera dura, realice también un taladro de paso con una profundidad igual a la mitad de la longitud del tornillo. Para conocer el tamaño óptimo del taladro de paso, consulte la tabla siguiente.

Tamaño de tornillo	Diámetro de de guía (madera blanda)	Diámetro de taladro de guía taladro (madera dura)	Taladro de paso
Nº 6 (3,5 mm)	2,0 mm	2,5 mm	3,6 mm
Nº 8 (4 mm)	2,5 mm	3,0 mm	4,5 mm
Nº 10 (5 mm)	3,0 mm	3,5 mm	5,0 mm

### Perforación

- ◆ Aplique siempre una suave presión en línea recta con la broca.
- ◆ Justo antes de que la punta de la broca atraviese la pieza de trabajo, disminuya la presión sobre la herramienta.
- ◆ Use un bloque de madera como soporte de piezas de trabajo que puedan astillarse.
- ◆ Haga una marca con un punzón de perforar en el centro del orificio que desea taladrar para mayor precisión.

## Accesorios

El rendimiento de la herramienta dependerá del accesorio utilizado. Los accesorios de Black & Decker y Piranha están fabricados según las más altas normas de calidad para ampliar el rendimiento de la herramienta. Utilizando estos accesorios, logrará aprovechar al máximo la herramienta.

Esta herramienta usa puntas para atornillar con una espiga hexagonal de 6,35 mm (1/4"). Los accesorios Piranha Super-lok están diseñados para su uso con esta herramienta.

## Mantenimiento

El aparato/la herramienta Black & Decker con cable/sin cable se ha diseñado para funcionar durante un largo período de tiempo con un mantenimiento mínimo. El funcionamiento satisfactorio continuado depende de un cuidado apropiado y una limpieza periódica de la herramienta. Su cargador no requiere ningún mantenimiento aparte de una limpieza periódica.

¡Atención! Antes de realizar trabajos de mantenimiento en la herramienta, apague y desenchufe la herramienta o retire la batería de la herramienta si ésta tiene una batería aparte. Si la batería está integrada, descárguela completamente. Desenchufe el cargador antes de limpiarlo.

- ◆ Limpie periódicamente las ranuras de ventilación de la herramienta y del cargador con un cepillo suave o un paño seco.
- ◆ Limpie periódicamente la carcasa del motor con un paño húmedo. No utilice ninguna sustancia limpiadora abrasiva o que contenga disolventes.
- ◆ Abra periódicamente el portabrocas y golpéelo suavemente para extraer el polvo del interior (si está equipado).

## Protección del medio ambiente



Separación de desechos. Este producto no debe desecharse con la basura doméstica normal.

Si llega el momento de reemplazar su producto Black & Decker o éste ha dejado de tener utilidad para usted, no lo deseche con la basura doméstica normal. Asegúrese de que este producto se deseche por separado.



La separación de desechos de productos usados y embalajes permite que los materiales puedan reciclarse y reutilizarse. La reutilización de materiales reciclados ayuda a evitar la contaminación medioambiental y reduce la demanda de materias primas.

La normativa local puede prever la separación de desechos de productos eléctricos de uso doméstico en centros municipales de recogida de desechos o a través del distribuidor cuando adquiere un nuevo producto.

Black & Decker proporciona facilidades para la recogida y el reciclado de los productos Black & Decker que hayan llegado al final de su vida útil. Para hacer uso de este servicio, devuelva su producto a cualquier servicio técnico autorizado, que lo recogerá en nuestro nombre.

Pueden consultar la dirección de su servicio técnico más cercano poniéndose en contacto con la oficina local de Black & Decker en la dirección que se indica en este manual. Como alternativa, puede

consultar en Internet la lista de servicios técnicos autorizados e información completa de nuestros servicios de posventa y contactos en la siguiente dirección: [www.2helpU.com](http://www.2helpU.com)

### Baterías



Cuando se agoten, deséchelas respetando las normas de protección del medio ambiente:

- ◆ No ponga en cortocircuito los contactos de las baterías.
- ◆ No arroje la batería al fuego ya que esto podría suponer un riesgo de lesiones personales o explosión.
- ◆ Utilice la batería hasta que se agote por completo y luego retírela de la herramienta.
- ◆ Las baterías son reciclables. Coloque la batería en un embalaje adecuado para garantizar que sus terminales no puedan entrar en cortocircuito. Llévelas a cualquier servicio técnico autorizado o a un centro de reciclado.

### Características técnicas

	KC460LN (H1)
Voltaje	V <sub>DC</sub> 3,6
Velocidad sin carga	min <sup>-1</sup> 180
Par de calado	Nm 7,7
Par de apriete máximo	Nm 3,2
Portapuntas	mm 6,35 (1/4")
Peso	kg 0,4

### Batería

Voltaje	V 3,6
Tipo de batería	Li-Ion
Capacidad	Ah 1,1

### Cargador 905450XX

Tensión de la red	V <sub>AC</sub> 230
Voltaje de salida	V <sub>DC</sub> 9
Amperaje	mA 100
Tiempo aproximado de carga	h 12
Peso	kg 0,4

Nivel de la presión acústica según EN 60745:

Presión acústica (L<sub>PA</sub>) 58,9 dB(A), incertidumbre (K) 3 dB(A)

Presión acústica (L<sub>WA</sub>) 69,9 dB(A), incertidumbre (K) 3 dB(A)

Valores totales de vibración (suma de vector triaxial) según EN 60745:

Perforación en metal (a<sub>n,D</sub>) 0,979 m/s<sup>2</sup>, incertidumbre (K) 1,5 m/s<sup>2</sup>

Atornillado sin percusión (a<sub>n,S</sub>) 0,247 m/s<sup>2</sup>, incertidumbre (K) 1,5 m/s<sup>2</sup>

## Declaración de conformidad CE

### DIRECTIVA SOBRE MÁQUINAS



KC460LN

Black & Decker declara que los productos descritos en "datos técnicos" son conformes con: 2006/42/CE, EN 60745-1, EN 60745-2-2

Si desea información adicional, contacte con Black & Decker en la siguiente dirección o consulte el dorso de este manual.

El abajofirmante es responsable de la compilación del archivo técnico y hace esta declaración en nombre de Black & Decker.

Kevin Hewitt  
Vice-President Global Engineering  
Black & Decker Europe, 210 Bath Road, Slough,  
Berkshire, SL1 3YD  
Reino Unido  
23/02/2010



## Garantía

Black & Decker confía plenamente en la calidad de sus productos y ofrece una garantía extraordinaria. Esta declaración de garantía es una añadido, y en ningún caso un perjuicio para sus derechos estatutarios. La garantía es válida dentro de los territorios de los Estados Miembros de la Unión Europea y de los de la Zona Europea de Libre Comercio.

Si un producto Black & Decker resultará defectuoso debido a materiales o mano de obra defectuosos o a la falta de conformidad, Black & Decker garantiza, dentro de los 24 meses de la fecha de compra, la sustitución de las piezas defectuosas, la reparación de los productos sujetos a un desgaste y rotura razonables o la sustitución de tales productos para garantizar al cliente el mínimo de inconvenientes, a menos que:

- ◆ El producto haya sido utilizado con propósitos comerciales, profesionales o de alquiler;
- ◆ El producto haya sido sometido a un uso inadecuado o negligente;
- ◆ El producto haya sufrido daños causados por objetos o sustancias extrañas o accidentes;
- ◆ Se hayan realizado reparaciones por parte de personas que no sean los servicios de reparación autorizados o personal de servicios de Black & Decker.

Para reclamar en garantía, será necesario que presente la prueba de compra al vendedor o al servicio técnico de reparaciones autorizado. Pueden consultar la dirección de su servicio técnico más cercano poniéndose en contacto con la oficina local de Black & Decker en la dirección que se indica en este manual. Como alternativa, se puede consultar en Internet, en la dirección siguiente, la lista de servicios técnicos autorizados e información completa de nuestros servicios de postventa y contactos:

[www.2helpU.com](http://www.2helpU.com)

Visite nuestro sitio web [www.blackanddecker.eu](http://www.blackanddecker.eu) para registrar su nuevo producto Black & Decker y mantenerse al día sobre nuestros productos y ofertas especiales. Encontrará información adicional sobre la marca Black & Decker y nuestra gama de productos en [www.blackanddecker.eu](http://www.blackanddecker.eu)

## Utilização

O seu aparafusador compacto da Black & Decker foi concebido para aparafusar e perfurar madeira, metal e plástico. Esta ferramenta destina-se apenas ao doméstico.

## Instruções de segurança

### Avisos de segurança gerais para ferramentas eléctricas



Advertência! Leia todos os avisos de segurança e instruções. O não cumprimento dos avisos e instruções a seguir pode resultar em choque eléctrico, incêndio e/ou graves lesões.

Guarde todos os avisos e instruções para futura referência. O termo "ferramenta eléctrica", utilizado nas advertências que se seguem, refere-se a ferramentas eléctricas com ligação à corrente eléctrica (com fios) ou operadas a bateria (sem fios).

#### 1. Segurança na área de trabalho

- Mantenha a sua área de trabalho limpa e bem iluminada. Desordem ou áreas de trabalho com fraca iluminação podem causar acidentes.
- Não utilize ferramentas eléctricas em áreas com risco de explosão, nas quais se encontrem líquidos, gases ou pós inflamáveis. As ferramentas eléctricas produzem faíscas que podem provocar a ignição de pó e vapores.
- Mantenha crianças e outras pessoas afastadas durante a utilização de ferramentas eléctricas. As distrações podem dar origem a que perca o controlo da ferramenta.

#### 2. Segurança eléctrica

- A ficha da ferramenta eléctrica deve caber na tomada. A ficha não deve ser modificada de modo algum. Não utilize quaisquer fichas de adaptação com ferramentas eléctricas ligadas à terra. Fichas inalteradas e tomadas adequadas reduzem o risco de choques eléctricos.
- Evite que o corpo entre em contacto com superfícies ligadas à terra, como por exemplo tubos, radiadores, fogões e frigoríficos. Há um risco elevado de choques eléctricos, caso o corpo seja ligado à terra.
- As ferramentas eléctricas não devem ser expostas à chuva nem a humidade. A penetração de água numa ferramenta eléctrica aumenta o risco de choques eléctricos.
- Manuseie o cabo com cuidado. O cabo da ferramenta não deve ser utilizado para o transporte, para puxar a ferramenta, nem para retirar a ficha da tomada. Mantenha o cabo afastado de calor, óleo, cantos afiados ou peças em movimento. Cabos danificados ou torcidos aumentam o risco de choques eléctricos.
- Ao trabalhar com a ferramenta eléctrica ao ar livre, use um cabo de extensão apropriado para utilização

no exterior. O uso de um cabo apropriado para utilização no exterior reduz o risco de choques eléctricos.

- Quando a utilização de uma ferramenta eléctrica num local húmido é inevitável, utilize uma fonte de alimentação protegida com um dispositivo de corrente residual (RCD). A utilização de um RCD reduz o risco de choques eléctricos.
- Segurança pessoal
    - Mantenha-se atento, observe o que está a fazer e seja prudente durante a utilização de uma ferramenta eléctrica. Não use a ferramenta eléctrica se estiver cansado ou sob a influência de drogas, álcool ou medicamentos. Um momento de falta de atenção durante a utilização de ferramentas eléctricas pode causar graves lesões.
    - Use equipamento de protecção pessoal. Utilize sempre óculos de protecção. A utilização de equipamento de protecção pessoal, como por exemplo, máscara de protecção contra pó, sapatos de segurança anti-derrapantes, capacete de segurança ou protecção auricular, de acordo com o tipo e aplicação da ferramenta eléctrica, reduz o risco de lesões.
    - Evite o accionamento involuntário. Certifique-se de que o interruptor está na posição desligada antes de ligar a ferramenta à corrente eléctrica ou a uma bateria, antes de elevar ou transportar a mesma. O transporte de ferramentas eléctricas com o dedo no interruptor ou a ligação das mesmas à corrente eléctrica com o interruptor ligado provoca acidentes.
    - Retire eventuais chaves de ajuste ou chaves de fenda, antes de ligar a ferramenta eléctrica. Uma chave de fenda ou chave de ajuste, que se encontre numa peça móvel da ferramenta, pode dar origem a lesões.
    - Não se incline. Mantenha-se sempre bem posicionado e em equilíbrio. Desta forma, poderá ser mais fácil controlar a ferramenta em situações inesperadas.
    - Utilize vestuário adequado. Não utilize roupas largas nem jóias. Mantenha o cabelo, roupa e luvas afastados de peças em movimento. Roupas largas, jóias ou cabelos longos podem ser ficar presos nas peças em movimento.
    - Se for prevista a montagem de dispositivos de extracção e recolha de pó, assegure-se de que estão ligados e que são utilizados de forma correcta. A utilização destes dispositivos reduz os riscos provocados por pó.
  - Utilização e manutenção da ferramenta eléctrica
    - Não sobrecarregue a ferramenta eléctrica. Utilize a ferramenta eléctrica correcta para o trabalho que irá realizar. A ferramenta correcta realizará o trabalho de forma melhor e mais segura dentro da potência indicada.

- b. Não utilize a ferramenta eléctrica se o interruptor não puder ser ligado nem desligado. Qualquer ferramenta eléctrica que não possa ser controlada através do interruptor é perigosa e deve ser reparada.
- c. **Desligue a ficha da tomada e/ou a bateria da ferramenta eléctrica antes de efectuar quaisquer ajustes, substituir acessórios ou armazenar a ferramenta eléctrica.** Esta medida de segurança evita que a ferramenta eléctrica seja ligada acidentalmente.
- d. Mantenha as ferramentas eléctricas que não estiverem a ser utilizadas fora do alcance de crianças. Não permita que a ferramenta seja utilizada por pessoas não familiarizadas com a mesma ou que não tenham lido estas instruções. As ferramentas eléctricas são perigosas se utilizadas por pessoas não qualificadas.
- e. Efectue a manutenção das ferramentas eléctricas. **Verifique se as peças móveis funcionam perfeitamente e não emperram, bem como se há peças quebradas ou danificadas que possam influenciar o funcionamento da ferramenta.** Em caso de danos, solicite a reparação da ferramenta eléctrica antes da sua utilização. Muitos acidentes têm como causa uma manutenção insuficiente das ferramentas eléctricas.
- f. **Mantenha as ferramentas de corte sempre afiadas e limpas.** As ferramentas de corte, sujeitas a uma manutenção adequada e com extremidades de corte afiadas, emperram com menos frequência e podem ser controladas com maior facilidade.
- g. Utilize a ferramenta eléctrica, os acessórios e as brocas da ferramenta etc., de acordo com estas instruções. Considere também as condições de trabalho e o trabalho a ser efectuado. A utilização da ferramenta eléctrica para outros fins que não os previstos pode resultar em situações perigosas.
5. Utilização e manutenção da bateria
- a. **Recarregue apenas com o carregador especificado pelo fabricante.** Um carregador que seja adequado a um tipo de bateria pode causar risco de incêndio quando utilizado noutro tipo de bateria.
- b. Utilize as ferramentas eléctricas apenas com as baterias **especificamente designadas.** A utilização de outro tipo de bateria pode causar risco de lesões ou incêndio.
- c. Quando a bateria não está a ser utilizada, mantenha-a afastada de quaisquer outros objectos metálicos, como clips de papel, moedas, chaves, pregos, parafusos ou outros objectos metálicos pequenos que possam efectuar a ligação de um terminal para outro. O contacto de ambos os terminais da bateria pode causar queimaduras ou incêndio.
- d. Em condições abusivas, o líquido pode ser ejectado da pila; evite o contacto. Caso isso aconteça, passe por água. Caso o líquido entre em contacto com os

olhos, procure ajuda médica. O líquido ejectado da bateria pode causar irritação ou queimaduras.

## 6. Reparação

- a. A sua ferramenta eléctrica só deve ser reparada por **pessoal qualificado e só devem ser colocadas peças sobressalentes originais.** Desta forma, é assegurada a segurança da ferramenta eléctrica.

## Avisos de segurança adicionais para ferramentas eléctricas



Advertência! Avisos de segurança adicionais para aparafusadores e chaves de impacto

- ◆ **Segure sempre a ferramenta pelas superfícies de pega isoladas ao efectuar trabalhos, durante os quais o fixador possa entrar em contacto com cabos eléctricos ocultos ou com o próprio cabo da ferramenta.** O contacto dos fixadores com um cabo com tensão coloca as partes metálicas da ferramenta eléctrica sob tensão, resultando em choque eléctrico.
- ◆ **Utilize protectores auriculares com as chaves de impacto.** A exposição ao ruído poderá provocar perda de audição.
- ◆ **Utilize os punhos auxiliares fornecidos com a ferramenta.** A perda de controlo da mesma pode provocar ferimentos pessoais.
- ◆ **Utilize grampos ou outra forma prática de fixar e apoiar a peça de trabalho numa plataforma estável.** Segurar a peça com a mão ou contra o corpo deixa-a instável e poderá resultar em perda de controlo.
- ◆ **Antes de colocar fixadores em paredes, pisos ou tectos, verifique a localização de fios e canos.**
- ◆ **Esta ferramenta não se destina a ser utilizada por pessoas (incluindo crianças) com reduzidas capacidades físicas, sensoriais ou mentais ou falta de experiência e conhecimentos, a menos que tenham recebido instruções ou sejam supervisionadas relativamente à utilização do aparelho por uma pessoa responsável pela sua segurança.** As crianças deverão ser vigiadas para que não mexam no aparelho.
- ◆ **Neste manual indicam-se as aplicações do aparelho. O uso de qualquer acessório ou da própria ferramenta para realizar quaisquer operações além das recomendadas neste manual de instruções pode dar origem a ferimentos e/ou danos em propriedade.**

## Segurança de outras pessoas

- ◆ **Este aparelho não se destina a ser utilizado por pessoas (incluindo crianças) com reduzidas capacidades físicas, sensoriais ou mentais ou falta de experiência e conhecimentos, a menos que tenham recebido instruções ou sejam supervisionadas relativamente à utilização do aparelho por uma pessoa responsável pela sua segurança.**

- ◆ As crianças deverão ser vigiadas para que não brinquem no aparelho.

## Riscos residuais.

Podem surgir riscos residuais adicionais durante a utilização da ferramenta que poderão não constar nos avisos de segurança incluídos. Estes riscos podem resultar de má utilização, uso prolongado, etc.

Mesmo com a aplicação dos regulamentos de segurança relevantes e com a implementação de dispositivos de segurança, alguns riscos residuais não podem ser evitados. Incluem:

- ◆ ferimentos causados pelo contacto com peças em rotação/movimento.
- ◆ ferimentos causados durante a troca de peças, lâminas ou acessórios.
- ◆ ferimentos causados pela utilização prolongada de uma ferramenta. Quando utilizar uma ferramenta por períodos prolongados, faça intervalos regulares.
- ◆ diminuição da audição.
- ◆ problemas de saúde causados pela inalação de poeiras resultantes da utilização da ferramenta (exemplo: trabalhos em madeira, especialmente carvalho, faia e MDF.)

## Vibração

Os valores de emissão de vibrações declarados, indicados nos dados técnicos e na declaração de conformidade, foram medidos de acordo com um método de teste padrão providenciado por EN 60745 e podem ser utilizados para efectuar a comparação entre ferramentas. O valor de emissão de vibrações declarado pode também ser utilizado numa avaliação preliminar da exposição.

**Advertência!** O valor de emissão de vibrações durante a utilização da ferramenta eléctrica pode divergir do valor declarado, dependendo do modo como a ferramenta é utilizada. O nível de vibrações pode aumentar relativamente ao nível indicado.

Durante a avaliação da exposição a fim de determinar as medidas de segurança requeridas pela directiva 2002/44/CE para a protecção de pessoas que utilizam regularmente ferramentas eléctricas nas respectivas profissões, o cálculo da exposição a vibrações deve considerar as condições reais de utilização e a forma como a ferramenta é utilizada, incluindo a consideração de todas as partes do ciclo de utilização como, por exemplo, as vezes que a ferramenta é desligada e o tempo em que se encontra a funcionar sem carga para além do tempo de accionamento.

## Etiquetas da ferramenta

Aparecem os seguintes pictogramas na ferramenta:



**Advertência!** Para reduzir o risco de ferimentos, o utilizador deve ler o manual de instruções.

## Instruções adicionais de segurança para baterias e carregadores

### Baterias

- ◆ Nunca tente abrir a bateria seja qual for a razão.
- ◆ Não deixe que a bateria entre em contacto com a água.
- ◆ Não exponha a bateria ao calor.
- ◆ Não armazene em locais onde a temperatura possa exceder 40 °C.
- ◆ Carregue somente à temperatura ambiente, entre 10 °C e 40 °C.
- ◆ Carregue somente utilizando o carregador fornecido com a ferramenta.
- ◆ Siga as instruções fornecidas na secção "Protecção do meio ambiente" quando desejar desfazer-se das baterias.
- ◆ Não danifique nem deforme a bateria através de perfuração ou impacto pois tal pode causar risco de lesões ou incêndio.
- ◆ Não carregue baterias danificadas.
- ◆ Sob condições extremas, é possível que a bateria apresente fugas. Quando notar que há líquido nas baterias, limpe-o cuidadosamente utilizando um pano. Evite o contacto com a pele.
- ◆ Em caso de contacto com a pele ou com os olhos, siga as instruções abaixo.

**Advertência!** O líquido da bateria pode causar ferimentos pessoais ou danos em propriedade. Em caso de contacto com a pele, lave imediatamente com água. Em caso de vermelhidão, dor ou irritação, consulte um médico. Em caso de contacto com os olhos, enxágue imediatamente com água limpa e consulte um médico.

### Carregadores

O seu carregador foi concebido para uma tensão de rede específica. Verifique sempre se a tensão eléctrica corresponde à indicada na placa de especificações.

**Advertência!** Nunca tente substituir o carregador por uma tomada normal.

- ◆ Utilize o seu carregador Black & Decker apenas para carregar as baterias do tipo fornecido com a sua ferramenta. Outras baterias poderiam explodir, causando ferimentos pessoais e estragos.
- ◆ Nunca tente carregar baterias não recarregáveis.
- ◆ Se o cabo de alimentação estiver danificado, deverá ser substituído pelo fabricante ou por um Centro de Assistência autorizada pela Black & Decker, de modo a evitar riscos.
- ◆ Substitua os cabos defeituosos imediatamente.
- ◆ Não deixe que o carregador entre em contacto com a água.
- ◆ Não abra o carregador.
- ◆ Não submeta o carregador a testes.
- ◆ O aparelho/ferramenta/bateria deve ser colocado/a numa área bem ventilada enquanto carrega.



O carregador destina-se apenas a ser utilizado no interior.



Leia o manual de instruções antes de utilizar.



Transformador isolado contra falhas. A fonte de alimentação está electricamente separada da saída do transformador.



O carregador desliga-se automaticamente caso a temperatura ambiente fique demasiado elevada. Em consequência, o carregador fica inoperacional. A unidade deve ser desligada da fonte de alimentação de rede e levada para ser reparada num centro de reparação autorizado.

### Segurança eléctrica



O seu carregador está duplamente isolado, pelo que não é necessário fio de terra. Verifique sempre se a tensão eléctrica corresponde à indicada na placa de especificações.

- ◆ Se o cabo de alimentação estiver danificado, deverá ser substituído pelo fabricante ou por um Centro de Assistência autorizado pela Black & Decker, de modo a evitar riscos.
- ◆ **Advertência!** Nunca tente substituir o carregador por uma tomada normal.

### Características

1. Interruptor de ligar/desligar
2. Selector de reversibilidade
3. Suporte de pontas
4. Indicador luminoso LED

### Fig. A

5. Carregador
6. Ficha do carregador

### Montagem

#### Colocar e remover uma broca ou ponta de aparafusar (fig. B)

Esta ferramenta utiliza pontas de aparafusar e brocas com encaixe hexagonal de 6,35 mm.

- ◆ Para encaixar uma ponta, insira o veio da ponta no suporte de pontas (3).
- ◆ Para retirar uma ponta, puxe o veio da ponta para fora do suporte (3).

### Utilização

**Advertência!** Deixe que a ferramenta funcione à vontade. Não o sobrecarregue.

- ◆ Antes da primeira utilização, carregue a bateria pelo menos durante 9 horas seguidas.

### Carregamento da bateria (fig. C)

- ◆ Insira a ficha do carregador (6) no conector (7).
- ◆ Ligue o carregador (5) à corrente eléctrica.
- ◆ Deixe a ferramenta ligada ao carregador durante 12 horas. É possível que a bateria aqueça durante o processo de carregamento. Isso é normal e não indica qualquer problema.

**Advertência!** Não carregue a bateria em ambientes com temperatura inferior a 10 °C ou superior a 40 °C.

### Seleccção da direcção da rotação (fig. D)

Para perfurar e apertar parafusos, utilize a rotação "avançar". Para soltar parafusos ou remover uma broca presa, utilize a rotação "inverter".

- ◆ Para seleccionar a rotação para avançar, empurre o selector de sentido de rotação (2) para a posição de avançar.
- ◆ Para seleccionar a rotação inversa, empurre o selector de sentido de rotação (2) para a posição para recuar.
- ◆ Para travar a ferramenta, coloque o selector de reversibilidade na posição central.

### Perfurar/aparafusar

- ◆ Seleccione a rotação de avanço ou inversa utilizando o selector de reversibilidade (2).
- ◆ Para ligar a ferramenta, prima o interruptor de ligar/desligar (1).
- ◆ Para desligar a ferramenta, liberte o interruptor de ligar/desligar (1).

### Indicador luminoso LED

O indicador luminoso LED (4) é automaticamente activado quando o gatilho é premido. O LED acende-se também quando o gatilho é premido e o selector de sentido de rotação (2) está na posição de bloqueado (posição central).

### Sugestões para uma melhor utilização

#### Aparafusar

- ◆ Utilize sempre o tipo e tamanho correcto de ponta de aparafusar.
- ◆ Se os parafusos forem difíceis de apertar, tente aplicar uma pequena quantidade de detergente ou sabão como lubrificante.
- ◆ Utilize o bloqueio do fuso para soltar parafusos que estejam muito apertados.
- ◆ Segure sempre a ferramenta e a ponta de aparafusar em linha recta com o parafuso.
- ◆ Quando for aparafusar madeira, é aconselhável perfurar um orifício guia que tenha a mesma profundidade que o

parafuso. Esse orifício guiará o parafuso e evitará que a madeira rache ou fique torcida. Para que o orifício guia tenha o tamanho adequado, consulte a tabela abaixo.

- ◆ Quando for aparafusar madeira dura, perfure também um orifício espaçador que tenha uma profundidade equivalente à metade do comprimento do parafuso. Para que o orifício espaçador tenha o tamanho adequado, consulte a tabela abaixo.

Tamanho do parafuso	Diâmetro do orifício guia (madeira mole)	Diâmetro do orifício guia (madeira dura)	Orifício espaçador
N.º 6 (3,5 mm)	2,0 mm	2,5 mm	3,6 mm
N.º 8 (4 mm)	2,5 mm	3,0 mm	4,5 mm
N.º 10 (5 mm)	3,0 mm	3,5 mm	5,0 mm

## Perfurar

- ◆ Aplique sempre uma leve pressão em linha recta com a broca.
- ◆ Um pouco antes de a broca atravessar a peça de trabalho, diminua a pressão sobre a ferramenta.
- ◆ Utilize uma peça de madeira como suporte para peças de trabalho que possam lascar.
- ◆ Para um orifício mais preciso, marque o centro do orifício a executar utilizando um furador.

## Acessórios

O desempenho da sua ferramenta depende dos acessórios utilizados. Os acessórios da Black & Decker e Piranha são fabricados de acordo com os mais altos padrões de qualidade e são concebidos para melhorar o desempenho da sua ferramenta. Ao utilizar estes acessórios, poderá tirar um maior partido da sua ferramenta.

Esta ferramenta utiliza pontas de aparafusar com um encaixe hexagonal de 6,35 mm (1/4"). Os acessórios Piranha Super-lok foram concebidos para a utilização com esta ferramenta.

## Manutenção

O aparelho/ferramenta com fios/sem fios da Black & Decker foi desenvolvido/a para funcionar por um longo período, com um mínimo de manutenção. O funcionamento contínuo e satisfatório depende de limpeza regular e de manutenção adequada. O seu carregador não requer qualquer manutenção para além de uma limpeza regular.

**Advertência!** Antes de realizar qualquer tipo de manutenção na ferramenta, desligue-a e retire a ficha da tomada ou retire a bateria da ferramenta, caso esta esteja equipada com uma bateria separada. Se a bateria for integrada, deixe-a descarregar completamente. Desligue a ficha do carregador antes de o limpar.

- ◆ Limpe regularmente as fendas de ventilação na ferramenta e no carregador utilizando uma escova macia ou pano seco.
- ◆ Limpe regularmente o compartimento do motor utilizando um pano húmido. Não utilize nenhum detergente abrasivo nem à base de solvente.

- ◆ Abra regularmente o mandril e bata no mesmo para remover qualquer poeira do interior (se equipado).

## Protecção do meio ambiente



Recolha em separado. Não deve deitar este produto fora juntamente com o lixo doméstico normal.

Caso chegue o momento em que um dos seus produtos Black & Decker precise de ser substituído ou decida desfazer-se do mesmo, não o deite fora juntamente com o lixo doméstico. Torne este produto disponível para uma recolha em separado.



A recolha em separado de produtos e embalagens utilizados permite que os materiais sejam reciclados e reutilizados. A reutilização de materiais reciclados ajuda a evitar a poluição ambiental e a reduzir a procura de matérias-primas.

Os regulamentos locais poderão providenciar a recolha em separado de produtos eléctricos junto das casas, em lixeiras municipais ou junto dos fornecedores ao adquirir um novo produto.

A Black & Decker oferece um serviço de recolha e reciclagem de produtos Black & Decker que tenha atingido o fim das suas vidas úteis. Para tirar proveito deste serviço, devolva seu produto a qualquer agente de reparação autorizado, que se encarregará de recolher o equipamento em nosso nome. Para verificar a localização do agente de reparação mais próximo de si, contacte o escritório local da Black & Decker no endereço indicado neste manual. Se preferir, consulte a lista de agentes autorizados da Black & Decker e os dados completos dos nossos serviços de atendimento pós-venda na Internet no endereço: [www.2helpU.com](http://www.2helpU.com)

## Baterias



Quando atingirem o fim das suas vidas úteis, deite-as fora com o devido cuidado com o nosso meio ambiente.

- ◆ Não submeta os contactos das baterias a curto-circuito.
- ◆ Não queime a(s) bateria(s) pois resultaria em ferimentos pessoais ou explosão.
- ◆ Descarregue completamente a bateria e remova-a do aparelho.
- ◆ As baterias são recicláveis. Coloque a bateria numa embalagem apropriada para garantir que os terminais não possam entrar em curto-circuito. Entregue-as em qualquer agente de reparação autorizado ou numa estação de reciclagem local.

Dados técnicos

KC460LN (H1)	
Voltagem	V <sub>DC</sub> 3,6
Velocidade sem carga	min <sup>-1</sup> 180
Binário de bloqueio	Nm 7,7
Binário máximo	Nm 3,2
Suporte de pontas	mm 6,35 (1/4")
Peso	kg 0,4

Bateria

Voltagem	V 3,6
Tipo de bateria	lões de lítio
Kapacitet	Ah 1,1

Carregador

905450XX	
Voltagem	V <sub>AC</sub> 230
Utpänning	V <sub>DC</sub> 9
Amperetal	mA 100
Tempo aproximado de carregamento	h 12
Peso	kg 0,4

Nível de pressão de ruído segundo a EN 60745:

Pressão acústica (L<sub>PA</sub>) 58,9 dB(A), imprecisão (K) 3 dB(A)

Potência acústica (L<sub>WA</sub>) 69,9 dB(A), imprecisão (K) 3 dB(A)

Valores totais de vibração (soma vectorial triaxial)  
segundo a EN 60745:

Perfuração em metal (a<sub>n,D</sub>) 0,979 m/s<sup>2</sup>, imprecisão (K) 1,5 m/s<sup>2</sup>

Aparafusar sem impacto (a<sub>n,S</sub>) 0,247 m/s<sup>2</sup>, imprecisão (K) 1,5 m/s<sup>2</sup>

Declaração de conformidade CE

DIRECTIVA MÁQUINAS



KC460LN

A Black & Decker declara que os produtos descritos na secção "dados técnicos" se encontram em conformidade com: 2006/42/CE, EN 60745-1, EN 60745-2-2

Para obter mais informações, queira contactar a Black & Decker através do endereço que se segue ou indicado no verso do manual.

O signatário é responsável pela compilação do ficheiro técnico e apresenta esta declaração em nome da Black & Decker.

Kevin Hewitt

Vice-presidente do Departamento de Engenharia Global  
Black & Decker Europe, 210 Bath Road, Slough,  
Berkshire, SL1 3YD  
Reino Unido  
23/02/2010

Garantia

A Black & Decker confia na qualidade de seus produtos e oferece um programa de garantia excelente. Esta declaração de garantia soma-se aos seus direitos legais e não os prejudica em nenhum aspecto. A garantia será válida nos territórios dos Estados Membros da União Europeia e na Área de Livre Comércio da Europa.

Caso algum produto da Black & Decker apresente avarias devido a defeitos de material, mão-de-obra ou ausência de conformidade no prazo de 24 meses a partir da data de compra, a Black & Decker garantirá a substituição das peças defeituosas, a reparação dos produtos que foram submetidos a uso adequado e remoção ou substituição dos mesmos para assegurar o mínimo de inconvenientes ao cliente a menos que:

- ◆ O produto tenha sido utilizado para fins comerciais, profissionais ou aluguer;
- ◆ O produto tenha sido submetido a uso incorrecto ou descuido;
- ◆ O produto tenha sofrido danos causados por objectos estranhos, substâncias ou acidentes;
- ◆ Tenha um histórico de reparações efectuadas por terceiros que não sejam os agentes autorizados ou profissionais de manutenção da Black & Decker.

Para activar a garantia, será necessário enviar a prova de compra ao revendedor ou agente de reparação autorizado. Para verificar a localização do agente de reparação mais próximo de si contacte o escritório local da Black & Decker no endereço indicado neste manual. Se preferir, consulte a lista de agentes autorizados da Black & Decker e os dados completos de nossos serviços de atendimento pós-venda na Internet no endereço: [www.2helpU.com](http://www.2helpU.com)

Visite o nosso website [www.blackanddecker.eu](http://www.blackanddecker.eu) para registar o seu novo produto Black & Decker e para se manter actualizado sobre novos produtos e ofertas especiais. Estão disponíveis mais informações sobre a Black & Decker e sobre a nossa gama de produtos em [www.blackanddecker.eu](http://www.blackanddecker.eu)

## Användningsområde

Din skruvdragare från Black & Decker kan användas till skruvdragning och borrar i trä, metall och plast. Verktöget är endast avsett som konsumentverktyg.

## Säkerhetsregler

### Allmänna säkerhetsvarningar för motordrivna verktyg



Varning! Läs alla säkerhetsvarningar och alla anvisningar. Fel som uppstår till följd av att varningarna och anvisningarna nedan inte följts kan orsaka elchock, brand och/eller allvarliga kroppsskador.

Spara alla varningar och anvisningar för framtida referens. Nedan använt begrepp lverktyg hänför sig till nätdrivna elverktyg (med nätsladd) och till batteridrivna elverktyg (sladdlösa).

1. Säkerhet för arbetsområdet
  - a. Håll arbetsplatsen ren och välbelyst. Oordning på arbetsplatsen och dåligt belyst arbetsområde kan leda till olyckor.
  - b. Använd inte elverktöget i explosionsfarlig omgivning med brännbara vätskor, gaser eller damm. Elverktögen alstrar gnistor som kan antända dammet eller gaserna.
  - c. Håll under arbetet med elverktöget barn och obehöriga personer på betryggande avstånd. Om du störs av obehöriga personer kan du förlora kontrollen över elverktöget.
2. Elsäkerhet
  - a. Elverktögets stickkontakt måste passa i vägguttaget. Ändra aldrig stickkontakten på något sätt. Använd inte adapterkontakter tillsammans med skyddsjordade elverktyg. Oförändrade stickkontakter och passande vägguttag minskar risken för elchock.
  - b. Undvik kroppskontakt med jordade ytor som t.ex. rör, värmeelement, spisar och kylskåp. Det finns en större risk för elchock om din kropp är jordad.
  - c. Skydda elverktöget mot regn och väta. Tränger vatten in i ett elverktyg ökar risken för elchock.
  - d. Misshandla inte nätsladden. Använd inte sladden för att bära eller hänga upp elverktöget och inte heller för att dra stickproppen ur vägguttaget. Håll nätsladden på avstånd från värme, olja, skarpa kanter och rörliga maskindelar. Skadade eller tilltrasslade sladdar ökar risken för elchock.
  - e. Använd endast förlängningssladdar som är godkända för utomhusbruk när du arbetar med ett elverktyg utomhus. Om en förlängningssladd avsedd för utomhusbruk används minskar risken för elchock.
3. Personlig säkerhet
  - a. Var uppmärksam, se på vad du gör och använd elverktöget med förnuft. Använd inte elverktöget när du är trött eller om du är påverkad av droger, alkohol eller mediciner. Under användning av elverktyg kan ett ögonblicks bristande uppmärksamhet leda till allvarliga kroppsskador.
  - b. Använd personlig skyddsutrustning. Bär alltid skyddsglasögon. Den personliga skyddsutrustningen, som t.ex. dammfiltermask, halkfria skyddsskor, hjälm eller hörselskydd, som bör användas under de gällande omständigheterna minskar risken för kroppsskada.
  - c. Undvik att verktöget startas av misstag. Kontrollera att strömställaren står i läge från innan du ansluter till vägguttaget och/eller batteripaketet, lyfter upp eller bär verktöget. Det kan vara mycket farligt att bära ett elverktyg med fingret på strömbrytaren eller koppla det till nätet med strömbrytaren på.
  - d. Ta bort alla inställningsverktyg och skruvnycklar innan du startar elverktöget. Ett verktyg eller en nyckel i en roterande komponent kan medföra kroppsskada.
  - e. Sträck dig inte för långt. Se till att du alltid har säkert förfäste och balans. På så sätt kan du lättare kontrollera elverktöget i oväntade situationer.
  - f. Bär lämplig klädsel. Bär inte löst hängande kläder eller smycken. Håll hår, kläder och handskar undan från rörliga delar. Löst hängande kläder, smycken och långt hår kan dras in av roterande delar.
  - g. Om elverktöget är utrustat med dammutsugnings- och -uppsamlingsutrustning, kontrollera att dessa anordningar är rätt monterade och att de används på korrekt sätt. Dammuppsamling minskar riskerna för dammrelaterade olyckor.
4. Bruk och skötsel av elverktyg
  - a. Överbelasta inte elverktöget. Använd rätt elverktyg för det aktuella arbetet. Med ett lämpligt elverktyg kan du arbeta bättre och säkrare inom angivet effektområde.
  - b. Ett elverktyg med defekt strömbrytare får inte användas. Ett elverktyg som inte kan kopplas till eller från är farligt och måste repareras.
  - c. Dra ut stickkontakten ur vägguttaget och/eller batteripaketet ur det motordrivna verktöget innan inställningar utförs, tillbehörsdelar byts ut eller det motordrivna verktöget ställs undan. Denna skyddsåtgärd förhindrar oavsiktlig inkoppling av elverktöget.
  - d. Förvara elverktögen oåtkomliga för barn. Låt inte elverktöget användas av personer som inte är förtrogna
- f. Om man måste använda ett elverktyg på en fuktig plats bör man använda ett uttag som skyddats med en restströmsanordning (RCD). Vid användning av en restströmsanordning (RCD) minskar risken för elektriska stötar.



- med dess användning eller inte läst denna anvisning. Elverktyg är farliga om de används av oerfarna personer.
- e. Sköt elverktyget omsorgsfullt. Kontrollera att rörliga komponenter fungerar felfritt och inte kärvar, att komponenter inte brustit eller skadats och inget annat föreligger som kan påverka elverktygets funktioner. Låt skadade delar repareras innan elverktyget används på nytt. Många olyckor orsakas av dåligt skötta elverktyg.
  - f. Håll skärverktyg skarpa och rena. Omsorgsfullt skötta skärverktyg med skarpa eggar fastnar inte så lätt och går lättare att styra.
  - g. Använd det motordrivna verktyget, tillbehör och insatsverktyg etc. enligt dessa anvisningar. Ta hänsyn till arbetsvillkoren och arbetsmomenten. Används elverktyget på icke ändamålsenligt sätt kan farliga situationer uppstå.
5. Bruk och skötsel av elverktyg
    - a. Ladda batterierna endast i de laddare som tillverkaren rekommenderat. Om en laddare som är avsedd för en viss typ av batterier används för andra batterityper finns risk för brand.
    - b. Använd endast batterier som är avsedda för aktuellt elverktyg. Används andra batterier finns risk för kroppsskada och brand.
    - c. Håll gem, mynt, nycklar, spikar, skruvar och andra metallföremål på avstånd från reservbatterier för att undvika att kontaktarna kortsluts. Kortslutning av batteriets kontakter kan leda till brännskador eller brand.
    - d. **Om batteriet används på felaktigt sätt finns risk för att vätska rinner ur batteriet. Undvik kontakt med vätskan. Vid oavsiktlig kontakt spola med vatten. Om vätska kommer i kontakt med ögonen uppsök dessutom läkare. Batterivätskan kan medföra hudirritation eller brännskada.**
  6. Service
    - a. **Låt endast elverktyget repareras av kvalificerad fackpersonal och med originalreservdelar.** Detta garanterar att elverktygets säkerhet bibehålls.

### Extra säkerhetsvarningar för motordrivna verktyg



Varning! Tillkommande säkerhetsvarningar för skruvdragare och slagnycklar

- ◆ Håll elverktyget endast vid de isolerade handtagen när arbete utförs på ställen där fästskruven kan skada dolda elledningar eller sin egen nätsladd. Om fästskruven kommer i kontakt med en spänningsförande ledning sätts verktygets metalldelar under spänning vilket kan leda till elektriska stötar.
- ◆ Bär öronskydd vid arbete med slagnycklar. Att utsättas för buller kan leda till hörselskador.
- ◆ Använd hjälphandtagen som levererades med

verktyget. Kontrollförlust kan orsaka personskador.

- ◆ Använd klämmor eller något annat praktiskt sätt för att fästa och stödja arbetsstycket på ett stabilt underlag. Om man håller arbetsstycket med handen eller mot kroppen blir det instabilt och man kan riskera att förlora kontrollen över det.
- ◆ Kontrollera var de elektriska ledningarna och rörledningarna är installerade innan du skruvar i väggar, golv och tak.
- ◆ Verktyget är inte avsett att användas av personer (inklusive barn) med försvagade fysiska, sensoriska eller mentala förmågor, eller som saknar erfarenhet och kunskaper, om de inte får övervakning eller undervisning i användning av apparaten av någon som ansvarar för deras säkerhet. Håll uppsyn så att inga barn leker med apparaten.
- ◆ Verktygets avsedda bruk beskrivs i denna bruksanvisning. Bruk av tillbehör eller tillsatser, eller utförande av någon verksamhet med detta verktyg, som inte rekommenderas i denna bruksanvisning kan innebära risk för personskada och/eller skada på egendom.

### Andra personers säkerhet

- ◆ Apparaten är inte avsedd att användas av personer (inklusive barn) med försvagade fysiska, sensoriska eller mentala förmågor, eller som saknar erfarenhet och kunskaper, om de inte får övervakning eller undervisning i användning av apparaten av någon som ansvarar för deras säkerhet.
- ◆ Håll uppsyn så att inga barn leker med apparaten.

### Övriga risker.

Ytterligare risker som inte finns med i de bifogade säkerhetsföreskrifterna kan uppstå när verktyget används. Dessa risker kan uppstå vid felaktig eller långvarig användning, etc.

Även om alla relevanta säkerhetsföreskrifter följs och säkerhetsanordningar används kan vissa ytterligare risker inte undvikas. Dessa innefattar:

- ◆ Skador orsakade av att roterande/rörliga delar vidrörs.
- ◆ Skador som uppstår vid byte av delar, blad eller tillbehör.
- ◆ Skador som orsakas av långvarig användning av ett verktyg. Se till att ta regelbundna raster när du använder ett verktyg under en längre period.
- ◆ Skador på hörseln.
- ◆ Hälsofaror orsakade av inandning av damm när verktyget används (exempel: arbete med trä, särskilt ek, bok och MDF.)

### Skakas

De angivna vibrationsemissionsvärdena i tekniska data / försäkras om överensstämmelse har uppmätts enligt en standardtestmetod som tillhandahålls av EN 60745 och kan användas för att jämföra olika verktyg med varandra. De

angivna vibrationsemissionsvärdena kan även användas för en preliminär beräkning av exponering.

**Varning!** Vibrationsemissionsvärdet under faktisk användning av elverktuget kan skilja sig från det angivna värdet beroende på hur verktyget används. Vibrationsnivån kan överstiga den angivna nivån.

Vid beräkning av vibrationsexponering för att bestämma säkerhetsåtgärder enligt 2002/44/EG för att skydda personer som regelbundet använder elverktyg i arbetet, bör en beräkning av vibrationsexponeringen ta med i beräkningen de faktiska användningsförhållandena och sättet verktyget används, inkluderande att man tar med i beräkningen alla delar av användningscykeln, förutom själva "avtryckartiden" även t.ex. när verktyget är avstängt och när det går på tomgång.

## Märken på verktyget

Följande symboler finns på verktyget:



**Varning!** För att minska risken för skador måste användaren läsa igenom bruksanvisningen.

## Tillkommande säkerhetsanvisningar för batterier och laddare

### Batterier

- ◆ Försök aldrig öppna.
- ◆ Låt inte batteriet komma i kontakt med vatten.
- ◆ Exponera inte batteriet för värme.
- ◆ Förvara inte laddaren i utrymmen där temperaturen kan överstiga 40 °C.
- ◆ Ladda endast inom temperaturområdet 10 °C till 40 °C.
- ◆ Ladda endast med laddaren som medföljer.
- ◆ När batterierna kasseras skall instruktionerna i kapitlet "Miljöskydd" följas.
- ◆ Se till att inte skada eller deformera batteriet genom perforering eller stötar, eftersom det kan leda till risk för personskada och brand.
- ◆ Försök aldrig ladda skadade batterier.
- ◆ Under extrema förhållanden kan batteriet läcka. Om du upptäcker vätska på batterierna, torka då noggrant bort den med en trasa. Undvik kontakt med huden.
- ◆ Vid kontakt med huden eller ögonen skall instruktionerna nedan följas.

**Varning!** Batterivätskan kan orsaka personskador eller skador på egendom. Skölj omedelbart med vatten vid kontakt med huden. Den som drabbas av rodnad, smärta eller irritation bör uppsöka läkare. Om syran kommer i kontakt med ögonen, skölj rikligt med rent vatten och kontakta läkare.

### Laddare

Din laddare är avsedd för en specifik nätspänning. Kontrollera alltid att nätspänningen överensstämmer med typslyften.

**Varning!** Försök aldrig att ersätta laddningsenheten med en vanlig nätkontakt.

- ◆ Använd Black & Decker-laddaren endast för att ladda batteriet i det verktyg det medföljde. Andra typer av batterier kan explodera och förorsaka person- och materialskador.
- ◆ Försök aldrig ladda icke-uppladdningsbara batterier.
- ◆ Om nätsladden är skadad måste den bytas ut av tillverkaren eller en godkänd Black & Decker serviceverkstad för att undvika en risksituation.
- ◆ Byt genast ut skadade sladdar.
- ◆ Låt inte laddaren komma i kontakt med vatten.
- ◆ Öppna inte laddaren.
- ◆ Gör ingen åverkan på laddaren.
- ◆ Utrustningen/verktyget/batteriet måste vara placerat i ett väl ventilerat utrymme under laddning.



Laddaren är endast avsedd för inomhusbruk.



Läs bruksanvisningen före bruk.



Felsäker isolertransformator. Nätströmmen är elektriskt separerad från transformatorutgången.



Laddaren stängs automatiskt av om omgivningstemperaturen är för hög. I så fall går laddaren inte längre att använda. Apparaten måste kopplas lös från elnätet och lämnas in hos en auktoriserad servicepunkt för reparation.

### Elsäkerhet



Laddaren är dubbelisolerad; jordledare är således överflödiga. Kontrollera alltid att nätspänningen överensstämmer med typslyften.

- ◆ Om nätsladden är skadad måste den bytas ut av tillverkaren eller en godkänd Black & Decker serviceverkstad för att undvika en risksituation.
- ◆ **Varning!** Försök aldrig att ersätta laddningsenheten med en vanlig nätkontakt.

## Detaljbeskrivning

1. På/av-omkopplare
2. Reglage framåt/bakåt
3. Bitshållare
4. Lysdiod

**Fig. A**

5. Laddare
6. Laddarkontakt

**Montering****Isättning och borttagning av borrar och skruvbits (fig. B)**

Det här verktyget används med mejsel och borrar med 6,35 mm sexkantsskaft.

- ◆ För att montera ett bits sätter du skaftet i bitshållaren (3).
- ◆ Avlägsna bitset genom att dra ut skaftet ur hållaren (3).

**Användning**

**Varning!** Överbelasta inte maskinen, låt den arbeta i sin egen takt.

- ◆ Före den första användningen måste batteriet laddas i minst 9 timmar.

**Laddning av batteriet (fig. C)**

- ◆ Sätt laddarkontakten (6) i uttaget (7).
- ◆ Anslut laddaren (5) till vägguttaget.
- ◆ Låt verktyget vara anslutet till laddaren i 12 timmar.

Laddaren kan surra och bli varm under laddningen. Detta är normalt och innebär inte att något är fel.

**Varning!** Ladda inte batteriet vid temperaturer under 10 °C eller över 40 °C.

**Val av höger-/vänstergång (fig. D)**

När du borrar och drar åt, rotera framåt. För att dra ur skruvar eller lossa en borrar som har kört fast, rotera bakåt.

- ◆ Välj rotation framåt genom att föra reglaget (2) till det främre läget.
- ◆ Välj rotation bakåt genom att föra reglaget (2) till det bakre läget.
- ◆ Spärra verktyget genom att ställa reglaget i mittläget.

**Borning och skruvdragning**

- ◆ Välj rotation framåt eller bakåt genom att använda framåt-/bakåtreglaget (2).
- ◆ Tryck på strömbrytaren (1) för att starta verktyget.
- ◆ Släpp strömbrytaren (1) för att stänga av verktyget.

**Lysdiod**

Lysdioden (4) aktiveras automatiskt när man trycker in avtryckaren. Lysdioden tänds även när man trycker in avtryckaren och reglaget (2) är i det låsta avstängda läget (mittläge).

**Råd för bästa resultat****Skruvdragning**

- ◆ Använd alltid rätt typ och storlek på bitsetet.
- ◆ Om det är svårt att dra åt skruven kan lite flytande tvättmedel eller två appliceras som smörjmedel.

- ◆ Använd spindellåset för att lossa på skruvar som sitter mycket hårt eller för att dra åt skruvar med kraft.
- ◆ Håll alltid verktyget och bitsetet i rak linje med skruven.
- ◆ När man skruvar i trä är det alltid bäst att först borra upp ett förborrningshål som är lika djupt som skruven är lång. Ett förborrningshål leder skruven rakt och förebygger att träet spricker eller skadas. Se nedanstående tabell.
- ◆ När man skruvar i hårt träslag är det alltid bäst att först borra ett förborrningshål som är lika djupt som halva skruvlängden. För optimal storlek på det förborrade hålet, se nedanstående tabell.

Skruvstorlek	Förborrningshål $\emptyset$ (i mjukt träslag)	Förborrningshål $\emptyset$ (i hårt träslag)	Förborrningshål
Nr. 6 (3,5 mm)	2,0 mm	2,5 mm	3,6 mm
Nr. 8 (4 mm)	2,5 mm	3,0 mm	4,5 mm
Nr. 10 (5 mm)	3,0 mm	3,5 mm	5,0 mm

**Borning**

- ◆ Utöva alltid ett lätt tryck i borrarbitsets längdriktning.
- ◆ Reducera verktygets tryck ytterligare strax innan borrarpeten tränger ut ur arbetsstyckets andra sida.
- ◆ Använd en träbit under arbetsstycket för att undvika att arbetsstycket spricker.
- ◆ För bättre precision bör du slå ett kärnslag i mitten av hålet som skall borraras.

**Tillbehör**

Verktygets användningsområde beror på vilket tillbehör du väljer. Black & Decker- och Piranha-tillbehören är av hög kvalitet. Genom att använda dessa tillbehör kan du få ut mesta möjliga av verktyget.

Detta verktyg används med skruvbits med 6,35 mm (1/4") sexkantsskaft. Piranha Super-lok tillbehör är avsedda för det här verktyget.

**Underhåll**

Ditt Black & Decker-verktyg, med eller utan nätkabel, har tillverkats för att fungera under lång tid med ett minimum av underhåll. Med rätt underhåll och regelbunden rengöring behåller verktyget sin prestanda. Laddaren behöver inget underhåll förutom regelbunden rengöring.

**Varning!** Innan något underhållsarbete utförs, stäng av och koppla bort verktyget eller ta bort batteriet från verktyget om detta har separat batteri. Om batteriet är hopbyggt med verktyget, kör i så fall batteriet helt tomt. Tag ur laddarkontakten före rengöring.

- ◆ Rengör ventilationsöppningarna på verktyget och laddaren regelbundet med en mjuk borste eller torr trasa.
- ◆ Rengör kåpan regelbundet med en fuktig trasa. Använd aldrig rengöringsmedel med lösnings- eller slipmedel i.

- ♦ Öppna chucken regelbundet och knacka på den för att avlägsna eventuellt damm som hamnat inuti den (när den är monterad).

## Miljöskydd



Särskild insamling. Denna produkt får inte kastas bland vanliga hushållssopor.

Om du någon gång i framtiden behöver ersätta din Black & Decker-produkt med en ny, eller inte längre behöver den, ska du inte kasta den i hushållssoporna. Denna produkt skall lämnas till särskild insamling.



Efter insamling av använda produkter och förpackningsmaterial kan materialen återvinnas och användas på nytt. Användning av återvunna material skönar miljön och minskar förbrukningen av råvaror.

Enligt lokal lagstiftning kan det förekomma särskilda insamlingar av uttjänt elutrustning från hushåll, antingen vid kommunala miljöstationer eller hos detaljhandlaren när du köper en ny produkt.

Black & Decker erbjuder en samlings- och återvinnings tjänst för Black & Decker-produkter när de en gång har tjänat ut. För att använda den här tjänsten lämnar du in produkten till en auktoriserad B & D -reparatör/representant som tar hand om den för din räkning.

Närmaste auktoriserad Black & Decker-representant finner du genom det lokala Black & Decker-kontoret på adressen i den här manualen. Annars kan du söka på Internet, på listan över auktoriserade Black & Decker-representanter och alla uppgifter om vår kundservice och andra kontakter [www.2helpU.com](http://www.2helpU.com)

## Batterier



Skydda miljön genom att lämna uttjänta batterier till avsedd uppsamlingsplats.

- ♦ Kortslut inte batteriets kontakter.
- ♦ Släng inte in batteriet i öppen eld, eftersom det kan explodera med risk för personskador.
- ♦ Låt batteriet laddas ur helt och ta sedan bort det från verktyget.
- ♦ Batterierna är laddningsbara. Placera batteriet i en lämplig förpackning så att kontakterna inte kan kortsutas. Lämnar dem till en auktoriserad tekniker eller en lokal återvinningsstation.

## Tekniska data

KC460LN (H1)	
Spänning	V <sub>DC</sub> 3,6
Obelastad hastighet	min <sup>-1</sup> 180
Fastkörningsmoment	Nm 7,7
Max. vridmoment	Nm 3,2
Bitshållare	mm 6,35 (1/4")
Vikt	kg 0,4

## Batteri

Spänning	V 3,6
Batterityp	Li-Ion
Kapacitet	Ah 1,1

## Laddare 905450XX

Spänning	V <sub>AC</sub> 230
Utspänning	V <sub>DC</sub> 9
Amperetal	mA 100
Laddningstid cirka	h 12
Vikt	kg 0,4

Bullelivnivå, uppmätt enligt EN 60745:

Bullelivnivå (L<sub>PA</sub>) 58,9 dB(A), avvikelse (K) 3 dB(A)

Ljudeffekt (L<sub>WA</sub>) 69,9 dB(A), avvikelse (K) 3 dB(A)

Vibrationens totala värde (treaxelvektorsumma)

bestämd enligt EN 60745:

Borning i metall (a<sub>h,D</sub>) 0,979 m/s<sup>2</sup>, avvikelse (K) 1,5 m/s<sup>2</sup>

Skruvdragning utan belastning (a<sub>h,S</sub>) 0,247 m/s<sup>2</sup>, osäkerhet (K) 1,5 m/s<sup>2</sup>

## EC-förklaring om överensstämmelse

MASKINDIREKTIVET



Black & Decker deklarerar att dessa produkter, beskrivna under "tekniska data", är tillverkade i överensstämmelse med: 2006/42/EG, EN 60745-1, EN 60745-2-2

För mer information, vänligen kontakta Black & Decker på följande adress eller den som anges på handbokens baksida. Undertecknad är ansvarig för sammanställningen av den tekniska filen och gör denna försäkran som representant för Black & Decker.

Kevin Hewitt

Vice-President Global Engineering

Black & Decker Europe, 210 Bath Road, Slough,

Berkshire, SL1 3YD

Storbritannien

23/02/2010

## Reservdelar / reparationer

Reservdelar finns att köpa hos auktoriserade Black & Decker verkstäder, som även ger kostnadsförslag och reparerar våra produkter.

Förteckning över våra auktoriserade verkstäder finns på Internet, vår hemsida [www.blackanddecker.se](http://www.blackanddecker.se) samt [www.2helpU.com](http://www.2helpU.com)

## Garanti

Black & Decker garanterar att produkten är fri från material- och/eller fabrikationsfel vid leverans till kund. Garantin är i tillägg till konsumentens lagliga rättigheter och påverkar inte dessa. Garantin gäller inom medlemsstaterna i Europeiska Unionen och i det Europeiska Frihandelsområdet.

Om en Black & Decker produkt går sönder på grund av material- och/eller fabrikationsfel eller brister i överensstämmelse med specifikationen, inom 24 månader från köpet, åtar sig Black & Decker att reparera eller byta ut produkten med minsta besvär för kunden.

Garantin gäller inte för fel som beror på:

- ◆ normalt slitage
- ◆ felaktig användning eller skötsel
- ◆ att produkten skadats av främmande föremål, ämnen eller genom olyckshändelse

Garantin gäller inte om reparation har utförts av någon annan än en auktoriserad Black & Decker verkstad.

För att utnyttja garantin skall produkten och inköpskvittot lämnas till återförsäljaren eller till en auktoriserad verkstad senast 2 månader efter det att felet har upptäckts. För information om närmaste auktoriserad verkstad; kontakta det lokala Black & Decker kontoret på den adress som är angiven i bruksanvisningen. En lista på alla auktoriserade verkstäder samt servicevillkor finns även tillgängligt på Internet, adress: [www.2helpU.com](http://www.2helpU.com)

Besök vår webbplats [www.blackanddecker.se](http://www.blackanddecker.se) för att registrera din nya Black & Decker-produkt samt för att erhålla information om nya produkter och specialerbjudanden. Vidare information om märket Black & Decker och vårt produktsortiment kan återfinnas på [www.blackanddecker.se](http://www.blackanddecker.se)

## Bruksområder

Din Black & Decker kompakte skrutrekker er utformet for skruing og boring i tre, metall og plast. Verktøyet er tiltenkt kun som konsumentverktøy.

## Sikkerhetsinstruksjoner

### Generelle sikkerhetsadvarsler for elektroverktøy



Advarsel! Les alle sikkerhetsadvarsler og alle instruksjoner. Hvis advarsler og instruksjoner ikke følges, kan det medføre elektrisk støt, brann og/eller alvorlige skader.

Ta vare på alle advarsler og instruksjoner for fremtidige oppslag. Uttrykket «elektroverktøy» i alle advarslene nedenfor gjelder for strømledende elektroverktøy (med ledning) og batteridrevne elektroverktøy (uten ledning).

#### 1. Sikkerhet i arbeidsområdet

- Hold arbeidsområdet rent og godt opplyst. Rotete arbeidsområder med dårlig belysning kan føre til ulykker.
- Ikke arbeid med elektroverktøy i eksplosjonsfarlige omgivelser hvor det finnes brennbare væsker, gass eller støv. Elektroverktøy forårsaker gnister som kan antenne støv eller røyk.
- Hold barn og andre personer unna når elektroverktøyet brukes. Hvis du blir forstyrret under arbeidet, kan du miste kontrollen.

#### 2. Elektrisk sikkerhet

- Støpselet til elektroverktøyet må passe inn i stikkkontakten. Støpselet må ikke forandres på noen som helst måte. Ikke bruk adapterstøpsler sammen med jordete elektroverktøy. Bruk av originale støpsler og passende stikkontakter reduserer risikoen for elektrisk støt.
- Unngå kroppskontakt med jordete overflater som rør, radiatorer, komfyrer og kjøleskap.** Det er større fare for elektrisk støt hvis kroppen din er jordet.
- Utsett ikke elektroverktøy for regn eller fuktighet. Dersom det kommer vann i et elektroverktøy, øker risikoen for elektrisk støt.
- Unngå uforvarlig behandling av ledningen. Elektroverktøyet må aldri bæres eller trekkes etter ledningen, og trekk heller ikke ut støpselet ved å rykke i ledningen. Hold ledningen unna varme, olje, skarpe kanter eller bevegelige deler. Med skadde eller sammenflokete ledninger øker risikoen for elektrisk støt.
- Når du arbeider utendørs med et elektroverktøy, må du kun bruke en skjøteledning som er godkjent til utendørs bruk. Ved å bruke en skjøteledning som er egnet for utendørs bruk, reduseres risikoen for elektrisk støt.

- Hvis du må bruke et elektrisk verktøy på et fuktig sted, må du bruke en forsyning som er beskyttet med en reststrømsanordning (RCD). Bruk av en RCD reduserer risikoen for støt.

#### 3. Personssikkerhet

- Vær oppmerksom, pass på hva du gjør og vis fornuft når du arbeider med et elektroverktøy. Ikke bruk elektroverktøy når du er trett eller er påvirket av narkotika, alkohol eller medikamenter. Et øyeblikks uoppmerksomhet under bruk av verktøyet kan føre til alvorlige personskader.
- Bruk personlig verneutstyr. Bruk alltid vernebriller. Verneutstyr som støvmaske, sko med gode såler, hjelm og hørselsvern bør brukes for å redusere risikoen for personskade.
- Unngå utilsiktet oppstart. Påse at bryteren er i av-stilling før du kopler til strøm og/eller batteripakke, plukker opp eller bærer verktøyet. Hvis du bærer et elektrisk verktøy med fingeren på bryteren, eller hvis du setter strøm på et verktøy som har bryteren slått på, inviterer du til ulykker.
- Fjern innstillingsverktøy eller skrunøkler før du slår på elektroverktøyet. Et verktøy eller en nøkkel som befinner seg i en roterende del kan føre til personskade.
- Ikke strekk deg for langt. Pass på at du alltid har sikkert fotfeste og god balanse. Da kan du kontrollere elektroverktøyet bedre i uventede situasjoner.
- Bruk alltid egnede klær. Ikke bruk løstsittende klær eller smykker. Hold hår, klær og hansker unna bevegelige deler. Løstsittende klær, smykker eller langt hår kan komme inn i bevegelige deler.
- Hvis det kan monteres støvavsug- og oppsamlingsinnretninger, må du forvise deg om at disse er tilkoblet og brukes på riktig måte. Bruk av støvavsug reduserer farer i forbindelse med støv.

#### 4. Aktsom håndtering og bruk av elektroverktøy

- Ikke bruk makt på elektroverktøyet. Bruk et elektroverktøy som er beregnet på den type arbeid du vil utføre. Med et passende elektroverktøy arbeider du bedre og sikrere i det angitte effektområdet.
- Ikke bruk elektroverktøyet hvis det ikke lar seg slå på og av med bryteren. Et elektroverktøy som ikke kan kontrolleres med bryteren er farlig og må repareres.
- Trekk støpselet ut av stikkkontakten og/eller kople fra batteripakken før du utfører innstillinger på et elektrisk verktøy, skifter tilbehør eller legger verktøyet bort. Disse tiltakene reduserer risikoen for en utilsiktet start av elektroverktøyet.
- Elektroverktøy som ikke er i bruk må oppbevares utilgjengelig for barn. Ikke la verktøyet brukes av personer som ikke er fortrolig med det eller som ikke har lest disse bruksanvisningene. Elektroverktøy er farlige når de brukes av uerfarne personer.

- e. Vær nøye med vedlikehold av elektroverktøy. Kontroller om bevegelige deler fungerer feilfritt og ikke klemmes fast, om deler er brukket eller skadet og andre forhold som kan innvirke på elektroverktøyet funksjon. Hvis elektroverktøyet er skadet, må det repareres før bruk. Dårlig vedlikeholdte elektroverktøy er årsaken til mange uhell.
  - f. Hold skjæreverktøy skarpe og rene. Godt vedlikeholdte skjæreverktøy med skarpe egger setter seg ikke så ofte fast og er lettere å føre.
  - g. Bruk elektroverktøy, tilbehør, bor osv. i henhold til disse instruksjonene. Ta hensyn til arbeidsforholdene og arbeidet som skal utføres. Bruk av elektroverktøy til andre formål enn det som er angitt, kan føre til farlige situasjoner.
5. Aktsom håndtering og bruk av oppladbare elektroverktøy
- a. Lad batteriet kun opp i laderen som er anbefalt av produsenten. Det oppstår brannfare hvis en lader som er egnet til en bestemt type batterier, brukes med andre batterier.
  - b. Bruk kun riktig type batterier for elektroverktøyene. Bruk av andre batterier kan medføre skader og brannfare.
  - c. Hold batterier som ikke er i bruk, unna binders, mynter, nøkler, spikre, skruer eller andre mindre metallgjenstander som kan lage en forbindelse mellom kontaktene. En kortslutning mellom batterikontaktene kan føre til forbrenninger eller brann.
  - d. Ved feilaktig bruk kan det lekke væske ut av batteriet. Unngå kontakt med denne væsken. Ved tilfeldig kontakt må det skylles med vann. Hvis det kommer væske i øynene, må du i tillegg oppsøke lege. Batterivæske som renner ut, kan føre til hudirritasjoner eller forbrenninger.
6. Service
- a. **Elektroverktøyet ditt skal alltid repareres av kvalifisert personell og kun med originale reservedeler.** Dette sikrer at elektroverktøyet sikkerhet opprettholdes.

## Ekstra sikkerhetsadvarsler for elektriske verktøy



Advarsel! Utfyllende sikkerhetsadvarsler for skrutrekker og slagnøkler

- ◆ **Hold elektriske verktøy i de isolerte gripeflatene** når du utfører arbeid der festemidlet kan komme i kontakt med skjulte ledninger eller sin egen kabel. Kontakt med en strømførende ledning vil gjøre verktøyet metalldele strømførende og gi operatøren støt.
- ◆ **Bruk hørselvern** når du bruker slagnøkler. Utsettelse for støy kan forårsake hørselstap.
- ◆ **Bruk ekstrahåndtakene** som følger med verktøyet. Hvis du mister kontrollen, kan det oppstå personskaade.

- ◆ **Bruk klemmer eller en annen praktisk måte** til å feste arbeidsemnet til et stabilt underlag. Arbeidsemnet blir ustabil og du mister kontroll dersom du holder det i hånden eller inn mot kroppen.
- ◆ **Før det settes festemidler i vegger, gulv eller tak**, må du undersøke hvor ledninger og rør befinner seg.
- ◆ Dette verktøyet er ikke beregnet til å brukes av personer (inkludert barn) med redusert fysisk, sansemessig eller mental kapasitet eller mangel på erfaring og kunnskap, med mindre de er under oppsyn eller har fått opplæring i bruk av verktøyet av en person som har ansvaret for deres sikkerhet. Barn må ha tilsyn for å sikre at de ikke leker med apparatet.
- ◆ Denne instruksjonshåndboken forklarer beregnet bruksmåte. Bruk bare tilbehør og utstyr som anbefales i bruksanvisningen. Bruk av annet verktøy eller tilbehør kan medføre risiko for skade på person og/eller utstyr.

## Andre personers sikkerhet

- ◆ Apparatet er ikke beregnet til å brukes av personer (inkludert barn) med redusert fysisk, sansemessig eller mental kapasitet eller mangel på erfaring og kunnskap, med mindre de er under oppsyn eller har fått opplæring i bruk av apparatet av en person som har ansvaret for deres sikkerhet.
- ◆ Barn må ha tilsyn for å sikre at de ikke leker med apparatet.

## Andre risikoer.

Ved bruk av verktøyet kan det oppstå ytterligere risikoer som kanskje ikke er inkludert i sikkerhetsadvarslene som følger med. Disse risikoene kan bli forårsaket av feil bruk, langvarig bruk osv.

Selv om de relevante sikkerhetsbestemmelsene blir fulgt, og sikkerhetstiltakene blir gjennomført, kan visse gjenværende risikoer ikke unngås. Disse omfatter:

- ◆ **Personskader som forårsakes av berøring av en roterende/bevegelig del.**
- ◆ **Personskader som forårsakes av at en del, et blad eller tilbehør endres.**
- ◆ **Personskader som forårsakes av langvarig bruk av et verktøy.** Når du bruker et verktøy i lange perioder, må du sørge for å ta regelmessige pauser.
- ◆ **Svekket hørsel.**
- ◆ **Helsefarer som forårsakes av innånding av støv som dannes når du bruker verktøyet** (eksempel: arbeid med tre, spesielt eik, bøk og MDF).

## Vibrasjon

De erklærte vibrasjonsnivåene i avsnittet Tekniske Data / Samsvarserklæring er målt i samsvar med en standard testmetode som gis av EN 60745, og kan brukes til å sammenligne et verktøy med et annet. Erklært vibrasjonsnivå kan også brukes i en foreløpig vurdering av eksponering.

**Advarsel!** Vibrasjonsnivået ved faktisk bruk av elektroverktøyet kan variere fra erklært verdi, avhengig av måten verktøyet brukes på. Vibrasjonsnivået kan øke over det oppgitte nivået.

Når du vurderer eksponering til vibrasjon for å bestemme sikkerhetstiltak som anbefalt i 2002/44/EF for å beskytte personer som jevnlig bruker elektroverktøy, bør en estimering av eksponeringen ta hensyn til de faktiske bruksforholdene og måten verktøyet brukes på. Dette inkluderer alle deler av brukssyklusen som f.eks. tidsperioder da verktøyet er slått av og når det går uten belastning, i tillegg til faktisk arbeidstid.

## Etiketter på verktøyet

Følgende symboler befinner seg på verktøyet:



**Advarsel!** Bruker må lese bruksanvisningen for å redusere faren for skader.

## Ekstra sikkerhetsforskrifter for batterier og ladere

### Batterier

- ◆ Gjør aldri under noen omstendigheter forsøk på å åpne apparatet.
- ◆ Batteriet må ikke komme i kontakt med vann.
- ◆ Batteriet må ikke utsettes for varme.
- ◆ Apparatet må ikke oppbevares på steder hvor temperaturen kan overstige 40 °C.
- ◆ Må bare lades i lufttemperaturer mellom 10 °C og 40 °C.
- ◆ Må bare lades med laderen som følger med verktøyet.
- ◆ Når batteriene skal kastes, følg instruksene i avsnittet "Miljøvern".
- ◆ Du må ikke skade eller deformere batteriet med punktering eller støt, dette kan skape fare for skader og brann.
- ◆ Ikke lad opp skadede batterier.
- ◆ Under ekstreme forhold kan det oppstå batterilekkasje. Hvis du oppdager væske på batteriene, tørk den forsiktig av med en klut. Unngå hudkontakt.
- ◆ I tilfeller hvor det oppstår kontakt med hud eller øyne, skal instruksjonene nedenfor følges.

**Advarsel!** Batterivæsken kan forårsake personskader eller materielle skader. Hvis den kommer i berøring med hud, må du straks skylle med vann. Hvis det oppstår rødhet, smerte eller irritasjon, søk legehjelp. Ved øyekontakt, rens umiddelbart med rent vann og søk legehjelp.

### Ladere

Ladere er utformet for en bestemt nettspenning. Kontroller at nettspenningen er i overensstemmelse med spenningen på typeskiltet.

**Advarsel!** Du må aldri forsøke å bytte laderen ut med et vanlig støpsel.

- ◆ Bruk din Black & Decker lader kun sammen med det batteriet som blir levert med verktøyet. Andre typer batterier kan eksplodere og forårsake person- og materialskader.
- ◆ Forsøk aldri å lade ikke-oppladbare batterier.
- ◆ Hvis strømledningen skades, må den skiftes ut av fabrikanten eller et autorisert Black & Decker servicesenter for å unngå fare.
- ◆ Bytt straks ut defekte ledninger.
- ◆ Laderen må ikke komme i kontakt med vann.
- ◆ Laderen må ikke åpnes.
- ◆ Ikke undersøk laderen på egenhånd.
- ◆ Apparatet/verktøyet/batteriet må plasseres i et godt ventilert område ved lading.



Ladere er kun beregnet på innendørs bruk.



Les instruksjonshåndboken før bruk.



Feilsikker skilletransformator. Nettstrømforsyningen er elektrisk atskilt fra transformatorens utgang.



Ladere slås automatisk av hvis omgivelsestemperaturen blir for høy. Følgelig vil det ikke være mulig å bruke laderen. Enheten må kobles fra strømmettet og leveres inn til reparasjon i et autorisert servicesenter.

### Elektrisk sikkerhet



Ladere er dobbeltisolert. Derfor er ikke jording nødvendig. Kontroller at nettspenningen er i overensstemmelse med spenningen på typeskiltet.

- ◆ Hvis strømledningen skades må den skiftes ut av fabrikanten eller et autorisert Black & Decker servicesenter for å unngå fare.
- ◆ **Advarsel!** Du må aldri forsøke å bytte laderen ut med et vanlig støpsel.

## Egenskaper

1. Strømbryter
2. Bryter for høyre-/venstregange
3. Borkroneholder
4. LED-lampe

## Fig. A

5. Lader
6. Laderstøpsel



## Montering

### Sette på og ta av bor og bits (fig. B)

Dette verktøyet bruker skrutrekker og bor med 6,35 mm sekskantskaft.

- ◆ For å feste en bits settes bitsskaftet inn i bitsholderen (3).
- ◆ For å fjerne en bits trekkes bitsen ut av bitsholderen (3).

## Bruk

Advarsel! La verktøyet jobbe med sin egen hastighet. Ikke overbelast det.

- ◆ Før du bruker apparatet for første gang, må du lade batteriet i minst 9 timer.

### Lade batteriet (fig. C)

- ◆ Sett ladestøpslet (6) i kontakten (7).
- ◆ Sett laderen (5) i vegguttaket.
- ◆ La verktøyet stå i laderen i 12 timer.

Laderen kan begynne å summe og bli varm under lading. Dette er normalt og betyr ikke at noe er feil.

Advarsel! Ikke lad opp batteriet ved omgivelsestemperaturer under 10 °C eller over 40 °C.

### Velge rotasjonsretning (fig. D)

Til drilling og tilstramming av skruer skal verktøyet rotere forover. For å løsne skruer eller fjerne en blokkert drillbit bruker du rotasjon bakover.

- ◆ For å velge rotasjon forover trykker du forover/revers-bryteren (2) til forover-stillingen.
- ◆ For å velge rotasjon i bakover, må du trykke forover/revers-bryteren (2) til revers-stillingen.
- ◆ For å låse verktøyet stiller du bryteren i midtstilling.

## Boring/skruing

- ◆ Velg rotasjon forover eller bakover med bryteren (2).
- ◆ Trykk på strømbryteren (1) for å slå verktøyet på.
- ◆ Slipp strømbryteren (1) for å slå verktøyet av.

## LED-lampe

LED-lampen (4) aktiveres automatisk når utløseren trykkes inn. LED-lampen vil også lyse når utløseren trykkes inn og glidebryteren for høyre-/venstregange (2) er i fri posisjon (senterposisjon).

## Råd for optimalt resultat

### Skruing

- ◆ Bruk alltid riktig type og størrelse på skrutrekkerkronen.
- ◆ Hvis det er vanskelig å stramme skruene, kan du forsøke å bruke litt flytende vaskemiddel eller såpe som smøremiddel.
- ◆ Løse svært stramme skruer eller stram skruer fast ved bruk av spindellåsen.

- ◆ Hold alltid verktøyet og skrutrekkerkronen i rett linje med skruen.
- ◆ Når du skrur i tre, bør du bore et forborhull med samme dybde som skruen er lang. Hullet leder inn skruen og forhindrer oppsplintring eller skjev innsetting. Du finner optimal størrelse på forborhullet i tabellen nedenfor.
- ◆ Når du skrur i hardt tre, borer du også et forborhull med samme dybde som halve skruelengden. Du finner optimal størrelse på forborhull i tabellen nedenfor.

Skruestørrelse	Forborhull ø (mykt tre)	Forborhull ø (hardt tre)	Forborhull ø
Nr. 6 (3,5 mm)	2,0 mm	2,5 mm	3,6 mm
Nr. 8 (4 mm)	2,5 mm	3,0 mm	4,5 mm
Nr. 10 (5 mm)	3,0 mm	3,5 mm	5,0 mm

## Boring

- ◆ Boret skal trykkes lett og rett mot arbeidsstykket.
- ◆ Like før boret bryter gjennom på den andre siden av arbeidsstykket, slipper du trykket litt.
- ◆ Bruk en trebit under arbeidsstykket for å unngå at arbeidsstykket splintres.
- ◆ For bedre presisjon: lag en fordypning med en kjerne i midten av hullet som skal bores.

## Tilbehør

Verktøyet bruksområde er avhengig av hvilket tilbehør du velger. Tilbehør fra Black & Decker og Piranha er utformet i henhold til høye kvalitetsstandarder og er utformet for å gi optimal ytelse ved bruk sammen med ditt verktøy. Når du bruker dette tilbehøret, får du optimal ytelse fra ditt verktøy.

Dette verktøyet bruker bits med 6,35 mm (1/4") sekskantskaft. Piranha Super-lok tilbehør er utformet for bruk med dette verktøyet.

## Vedlikehold

Ditt Black & Decker-apparat/verktøy med eller uten ledning er konstruert for å være i drift over en lang periode med et minimum av vedlikehold. Det er avhengig av godt vedlikehold og regelmessig rengjøring for å fungere som det skal til enhver tid. Laderen din behøver ikke annet vedlikehold enn at den rengjøres med jevne mellomrom.

Advarsel! Før du utfører vedlikehold på verktøyet, slå det av og dra ut stikkkontakten, eller ta batteriet ut av verktøyet dersom det har separat batteri. Hvis batteriet er innebygd, bruk batteriet helt opp. Trekk ut kontakten før du rengjør laderen.

- ◆ Rengjør ventilasjonsslissene på verktøyet og laderen regelmessig med en myk børste eller en tørr klut.
- ◆ Rengjør motorhuset regelmessig med en fuktig klut. Ikke bruk slipende eller løsemiddelbaserte rengjøringsmidler.

- ◆ Åpne opp chucken regelmessig, og slå lett på den for å fjerne eventuelt støv fra innsiden (når den er innebygd).

## Miljøvern



Kildesortering. Dette produktet må ikke kastes i det vanlige husholdningsavfallet.

Hvis du finner ut at Black & Decker-produktet ditt må skiftes ut, eller hvis du ikke lenger har bruk for det, må du unnlate å kaste det sammen med det vanlige husholdningsavfallet. Sørg for at dette produktet gjøres tilgjengelig for kildesortering.



Kildesortering av brukte produkter og emballasje gjør det mulig å resirkulere materialer og bruke dem igjen. Gjenbruk av resirkulerte materialer bidrar til å forhindre forurensning av miljøet og reduserer behovet for råmaterialer.

Lokale regelverk kan legge tilrette for kildesortering av elektriske produkter fra husholdningen, ved kommunale deponier eller gjennom forhandleren når du kjøper et nytt produkt.

Black & Decker har tilrettelagt for innsamling og resirkulering av Black & Decker-produkter etter at de har utspilt sin rolle. Ønsker du å benytte deg av denne tjenesten, returnerer du produktet ditt til et autorisert serviceverksted, som tar det imot og formidler det videre.

Du kan få adressen til ditt nærmeste autoriserte serviceverksted ved å kontakte ditt lokale Black & Decker-kontor på adressen oppgitt i denne håndboken. Du kan også finne en komplett liste over autoriserte Black & Decker-serviceverksteder og utfyllende informasjon om vår etter salg-service og kontaktnumre på Internett på følgende adresse: [www.2helpU.com](http://www.2helpU.com)

## Batterier



Beskytt miljøet ved å levere kasserte batteriet til kildesortering:

- ◆ Batteriklemmene må ikke kortsluttes.
- ◆ Ikke kvitt deg med batteriene ved å brenne dem, da dette kan føre til risiko for personskade eller en eksplosjon.
- ◆ Kjør batteriet til det er helt flatt og ta det så ut av verktøyet.
- ◆ Batteriene er resirkulerbare. Legg batteriet/batteriene i en egnet innpakning for å sikre at kontaktene ikke kan kortsluttes. Ta dem med til en hvilken som helst autorisert forhandler eller en lokal kildesorteringsstasjon.

## Tekniske data

KC460LN (H1)	
Spenning	$V_{DC}$ 3,6
Hastighet ubelastet	$\text{min}^{-1}$ 180
Stagnasjonsdreiningsmoment	Nm 7,7
Maks. dreiemoment	Nm 3,2
Borkroneholder	mm 6,35 (1/4")
Vekt	kg 0,4

## Batteri

Spenning	V 3,6
Batteritype	Li-Ion
Kapasitet	Ah 1,1

## Lader 905450XX

Spenning	$V_{AC}$ 230
Utgangsspenning	$V_{DC}$ 9
Amperetall	mA 100
Ladetid, ca	h 12
Vekt	kg 0,4

Lydnivået, målt i henhold til EN 60745:

Lydtrykk ( $L_{pA}$ ) 58,9 dB(A), usikkerhet (K) 3 dB(A)

Lydeffekt ( $L_{WA}$ ) 69,9 dB(A), usikkerhet (K) 3 dB(A)

Totalverdier, vibrasjon (triax vektorsum) bestemt ifølge EN 60745:

Slagboring i metall ( $a_{n,D}$ ) 0,979  $\text{m/s}^2$ , usikkerhet (K) 1,5  $\text{m/s}^2$

Skrutrekking uten slag ( $a_{n,S}$ ) 0,247  $\text{m/s}^2$ , usikkerhet (K) 1,5  $\text{m/s}^2$

## Samsvarserklæring for EU MASKINDIREKTIVET



Black & Decker erklærer at produktene som beskrives under "tekniske data" oppfyller kravene til: 2006/42/EF, EN 60745-1, EN 60745-2-2

For mer informasjon, kontakt Black & Decker på følgende adresse eller se bakerst i håndboken.

Undertegnede er ansvarlig for sammenstillingen av den tekniske filen og avgir denne erklæringen på vegne av Black & Decker.

Kevin Hewitt  
Visepresident, Global Engineering  
Black & Decker Europe, 210 Bath Road, Slough,  
Berkshire, SL1 3YD  
Storbritannia  
23/02/2010

## Reservdeler / reparasjoner

Reservdeler kan kjøpes hos autoriserte Black & Decker serviceverksteder, som også gir kostnadsoverslag og reparerer våre produkter.

Oversikt over våre autoriserte serviceverksteder finnes på Internet, vår hjemmeside [www.blackanddecker.no](http://www.blackanddecker.no) samt [www.2helpU.com](http://www.2helpU.com)

## Garanti

Black & Decker garanterer at produktet ikke har material- og/eller fabrikkasjonsfeil ved levering til kunde. Garantien er i tillegg til kundens lovlige rettigheter og påvirker ikke disse. Garantien gjelder innen medlemsstatene i den Europeiske Unionen og i det Europeiske Frihandelsområdet.

Hvis et Black & Decker produkt går i stykker på grunn av material- og/eller fabrikkasjonsfeil eller har mangler i forhold til spesifikasjonene, innen 24 måneder fra kjøpet, påtar Black & Decker seg å reparere eller bytte ut produktet med minst mulig vanskelighet for kunden.

Garantien gjelder ikke for feil som kommer av:

- ◆ normal slittasje
- ◆ feilaktig bruk eller vedlikehold (mislighold)
- ◆ at produktet har blitt skadet av fremmede gjenstander, emner eller ved et uhell

Det gjøres oppmerksom på at produktet ikke er beregnet på industriell/profesjonell/yrkesmessig bruk, men til hus- og hjemmebruk.

Garantien gjelder ikke om reparasjoner har blitt utført av noen andre enn et autorisert Black & Decker serviceverksted.

For å ta garantien i bruk skal produktet og kjøpekvittering leveres til forhandleren eller til et autorisert serviceverksted senest 2 måneder etter at feilen har blitt oppdaget. For informasjon om nærmeste autoriserte serviceverksted; kontakt det lokale Black & Decker kontoret på den adressen som er angitt i bruksanvisningen. En oversikt over alle autoriserte serviceverksteder samt servicevilkår finnes også tilgjengelig på Internet, adresse: [www.2helpU.com](http://www.2helpU.com)

Vennligst stikk innom våre nettsider på [www.blackanddecker.no](http://www.blackanddecker.no) for å registrere ditt nye Black & Decker-produkt og for å holde deg oppdatert om nye produkter og spesialtilbud. Du finner mer informasjon om Black & Decker og produktutvalget vårt på [www.blackanddecker.no](http://www.blackanddecker.no)

## Anvendelsesområde

Din kompakte Black & Decker skruetrækker er designet til bore- og skruoopgaver i træ, metal og plastik. Værktøjet er kun beregnet til privat brug.

## Sikkerhedsinstruktioner

### Generelle sikkerhedsadvarsler for værktøjet



**Advarsel!** Læs alle sikkerhedsadvarsler og instrukser. Hvis nedenstående advarsler og instrukser ikke følges, er der risiko for elektrisk stød, brand og/eller alvorlige personskader.

Gem alle advarsler og instruktioner til fremtidig brug.

Det benyttede begreb "el-værktøj" i nedennævnte advarsler refererer til el-netdrevne (med tilslutningsledning) eller batteridrevne maskiner (uden tilslutningsledning).

#### 1. Sikkerhed i arbejdsområdet

- Sørg for, at arbejdsområdet er rent og ryddeligt. Rodede eller uoplyste arbejdsområder øger faren for uheld.
- Brug ikke el-værktøj i eksplosionstruede omgivelser, f.eks. hvor der er brændbare væsker, gasser eller støv. El-værktøj kan slå gnister, der kan antænde støv eller dampe.
- Sørg for, at børn og andre personer holder sig på afstand, når el-værktøjet er i brug. Hvis man distraheres, kan man miste kontrollen over maskinen.

#### 2. El-sikkerhed

- El-værktøjsstik skal passe til kontakten. Stikkene må under ingen omstændigheder ændres. Brug ikke adapterstik sammen med jordforbundet el-værktøj. Uændrede stik, der passer til kontakterne, nedsætter risikoen for elektrisk stød.
- Undgå kropskontakt med jordforbundne overflader** som f.eks. rør, radiatorer, komfurer og køleskabe. Hvis din krop er jordforbundet, øges risikoen for elektrisk stød.
- El-værktøj må ikke udsættes for regn eller fugt. Indtrængning af vand i el-værktøj øger risikoen for elektrisk stød.
- Undgå at ødelægge ledningen. Undgå at bære, trække eller afbryde el-værktøjet ved at rykke i ledningen. Beskyt ledningen mod varme, olie, skarpe kanter eller maskindele, der er i bevægelse. Beskadigede eller indviklede ledninger øger risikoen for elektrisk stød.
- Hvis el-værktøj benyttes i det fri, skal der benyttes en forlængerledning, som er godkendt til udendørs brug. Brug af en forlængerledning til udendørs brug nedsætter risikoen for elektrisk stød.
- Ved anvendelse af et elektrisk værktøj i områder med damp, anvend da en beskyttende afskærmning. Denne afskærmning reducerer risikoen for elektrisk stød.

#### 3. Personlig sikkerhed

- Vær opmærksom, hold øje med, hvad du laver, og brug el-værktøjet fornuftigt. Man bør ikke bruge maskinen, hvis man er træt, har nydt alkohol eller er påvirket af medicin eller euforiserende stoffer. Få sekunders uopmærksomhed ved brug af el-værktøjet kan føre til alvorlige personskader.
  - Anvend sikkerhedsudstyr. Bær altid beskyttelsesbriller. Beskyttende udstyr, som en støvmaske, skridsikre sikkerhedssko, beskyttelseshjelm eller ørepropper anvendt i de rigtige betingelser reducerer ulykker.
  - Forebyg umotiveret opstart. Vær sikker på, at kontakten er slukket før du forbinder kraftkilden og/eller batteriet, løfter eller bærer værktøjet. Hvis du bærer på værktøjet med din finger på kontakten eller starter værktøjet med kontakten slået til indbyder til ulykker.
  - Fjern indstillingsværktøj eller skruenøgle, inden el-værktøjet tændes. Et værktøj eller en nøgle, der efterlades i en roterende del i el-værktøjet, kan resultere i personskader.
  - Overvurder ikke dig selv. Sørg for, at du altid har sikkert fodfæste og balance. Det gør det nemmere at kontrollere el-værktøjet, hvis der skulle opstå uventede situationer.
  - Brug egnet arbejdstøj. Undgå løse beklædningsgenstande eller smykker. Hold hår, tøj og handsker væk fra dele, der bevæger sig. Bevægelige dele kan gribe fat i løstsiddende tøj, smykker eller langt hår.
  - Hvis støvudsugnings- og opsamlingsudstyr kan monteres, er det vigtigt, at dette tilsluttes og benyttes korrekt. Brug af støvopsamling nedsætter risikoen for personskader som følge af støv.
- #### 4. Brug og vedligeholdelse af el-værktøj
- Undgå at overbelaste el-værktøjet. Brug altid det rette el-værktøj til opgaven. Med det rigtige el-værktøj udføres arbejdet lettere og sikrere inden for det angivne effektområde.
  - Brug ikke el-værktøjet, hvis afbryderen er defekt. El-værktøj, der ikke kan reguleres med afbryderen, er farligt og skal repareres.
  - Træk stikket ud af stikkontakten og/eller afmonter batteriet inden indstilling, tilbehørsudskiftning eller opbevaring af el-værktøjet. Disse sikkerhedsforanstaltninger reducerer risikoen for utilsigtet start af værktøjet.
  - Opbevar ubenyttet el-værktøj uden for børns rækkevidde. Lad aldrig personer, der ikke er fortrolige med el-værktøj, eller som ikke har gennemlæst disse instrukser, benytte maskinen. El-værktøj er farligt, hvis det benyttes af ukundige personer.
  - El-værktøj bør vedligeholdes omhyggeligt. Kontroller, om bevægelige dele er skæve og ikke sidder fast, og

om delene er brækket eller beskadiget, således at el-værktøjets funktion påvirkes. Få beskadigede dele repareret, inden el-værktøjet tages i brug. Mange uheld skyldes dårligt vedligeholdt el-værktøj.

- f. Sørg for, at skæreværktøjer er skarpe og rene. Omhyggeligt vedligeholdte skæreværktøjer med skarpe skærekanten sætter sig ikke så hurtigt fast og er nemmere at føre.
  - g. Brug el-værktøj, tilbehør, indsatsværktøj osv. i overensstemmelse med disse instrukser, og sådan som det kræves for denne specielle værktøjstype. Tag hensyn til arbejdsforholdene og det arbejde, der skal udføres. I tilfælde af anvendelse af el-værktøjet til formål, som ligger uden for det fastsatte anvendelsesområde, kan der opstå farlige situationer.
5. Brug og vedligeholdelse af batteriværktøj
    - a. Oplades kun ved hjælp af ladeaggregater, der er anbefalet af fabrikanten. Et ladeaggregat, der er egnet til en bestemt type batterier, kan udgøre brandfare, hvis det bruges med andre batterityper.
    - b. **Brug kun el-værktøjet med specifikt fremstillede batterier.** Brug af andre batterier kan øge risikoen for personskader og er forbundet med brandfare.
    - c. Batterier, der ikke er i brug, må ikke komme i berøring med andre metalgenstande som f.eks. kontorclips, mønter, nøgler, søm, skruer eller andre små metalgenstande, da disse kan kortslutte kontakterne. En kortslutning mellem batteripoleme kan medføre forbrændinger eller brand.
    - d. Hvis batteriet anvendes forkert, kan der slippe væske ud af det. Undgå kontakt med denne væske. Hvis der alligevel skulle forekomme kontakt, skylles med vand. Søg læge, hvis væsken kommer i øjnene. Væske fra batteriet kan give hudirritation eller forbrændinger.
  6. Service
    - a. **Sørg for, at el-værktøjet kun reparerer af kvalificerede fagfolk, og at der kun benyttes originale reservedele.** Dermed bevares el-værktøjets sikkerhed.

### Yderligere sikkerhedsadvarsler for værktøjet



Advarsel! Yderligere sikkerhedsanvisninger til skruetrækkere og slagnøgler

- ◆ Hold altid kun fast på maskinen på de isolerede **håndtagsflader, når der skal saves i emner, hvor der er risiko for, at skruetrækkeren kan komme i kontakt med strømførende ledninger eller apparatets eget kabel.** I tilfælde af at elementer kommer i kontakt med strømførende ledninger, vil metaldelene på værktøjet være under spænding og give elektrisk stød.
- ◆ Brug høreværn, når du bruger slagnøgler. Udsættelse for støj kan føre til høretab.

- ◆ Brug hjælpegreb, som leveres sammen med værktøjet. Mister du kontrollen over værktøjet, kan det medføre kvæstelser.
- ◆ Brug spænder eller en anden praktisk måde til at sikre **og støtte arbejdsområdet til en stabil flade.** Hvis det holdes i hånden eller mod kroppen, er det ustabil og kan føre til tab af kontrol.
- ◆ Før der bores elementer ind i vægge, gulve eller lofter checkes ledningers og rørs placering.
- ◆ Dette apparat er ikke egnet til brug for personer (inklusive børn) med manglende evner eller viden omkring produktet, med mindre de har modtaget undervisning eller instruktioner i brug af apparatet fra en person, som er ansvarlig for sikkerheden. Der skal være opsyn med børn for at sikre, at de ikke leger med apparatet.
- ◆ Denne brugsanvisning giver en beskrivelse af de formål, som værktøjet er beregnet til. Brug af andet tilbehør eller udførelse af en anden opgave med dette værktøj end de her anbefalede kan medføre risiko for personskader og/eller skader på materiel.

### Andres sikkerhed

- ◆ Dette apparat er ikke egnet til brug af personer (inklusive børn) med manglende evner eller viden omkring produktet, med mindre de har modtaget undervisning eller instruktioner i brug af apparatet fra en person, som er ansvarlig for sikkerheden.
- ◆ Der skal være opsyn med børn for at sikre, at de ikke leger med apparatet.

### Restrisici.

Der kan opstå yderligere restrisici under brugen af værktøjet, som ikke kan medtages i vedlagte sikkerhedsadvarsler. Disse risici kan opstå pga. forkert anvendelse, langvarig brug etc. Selv ved overholdelse af relevante sikkerhedsforskrifter og anvendelse af sikkerhedsudstyr kan visse restrisici ikke undgås. Disse omfatter:

- ◆ Tilskadekomst forårsaget af berøring af roterende/ bevægelige dele.
- ◆ Tilskadekomst forårsaget af udskiftning af dele, blade eller tilbehør.
- ◆ Tilskadekomst forårsaget af langvarig brug af et værktøj. Husk at holde pause jævnligt ved brug af et værktøj i længere tid.
- ◆ Høreskader.
- ◆ Sundhedsrisici forårsaget af indånding af støv, der genereres ved brug af værktøjet (eksempel: Arbejde med træ, især, eg, bøg og MDF).

### Vibration

De deklarerede vibrationsemissionsværdier, som er angivet i tekniske data og overensstemmelseserklæring er blevet udmålt i overensstemmelse med en standardtestmetode foreskrevet af

EN 60745 og kan anvendes til at sammenligne et værktøj med et andet. De deklarerede vibrationsemissionsværdier kan ligeledes anvendes i en præliminær undersøgelse af eksponeringen.

**Advarsel!** Vibrationsemissionsværdien under den faktiske brug af værktøjet kan variere fra den deklarerede værdi, alt efter hvilken måde værktøjet anvendes på. Vibrationerne kan nå op på et niveau over det anbefåte.

Når vibrationseksponeringen undersøges med det formål at fastsætte sikkerhedsforanstaltningerne ifølge 2002/44/EF for at beskytte personer, som regelmæssigt anvender værktøjer i forbindelse med deres arbejde, bør en måling af vibrationseksponeringen betænke, den måde værktøjet anvendes på inklusive alle dele af arbejds cyklussen såsom tidspunkter, hvor værktøjet er slukket eller kører i tomgang, ud over det tidsrum hvor det anvendes.

## Etiketter på værktøjet

Følgende piktogrammer ses på værktøjet:



**Advarsel!** For at mindske risikoen for skader skal brugeren læse instruktionsmanualen.

## Ekstra sikkerhedsinstruktioner for batterier og ladere

### Batterier

- ◆ Man må aldrig forsøge at åbne et batteri.
- ◆ Udsæt det ikke for vand.
- ◆ Udsæt ikke batteriet for varme.
- ◆ Det må ikke opbevares i et lokale, hvor temperaturen overstiger 40 °C.
- ◆ Batteriet må kun oplades ved omgivelsestemperaturer mellem 10 °C og 40 °C.
- ◆ Oplad kun med den vedlagte oplader.
- ◆ Ved kassering af batterier, skal man følge vejledningen i afsnittet "Beskyttelse af miljøet".
- ◆ Undgå at deformere eller beskadige batteriet ved punktering eller stød, da dette kan give risiko for kvæstelser eller brand.
- ◆ Oplad ikke et beskadiget batteri.
- ◆ Under ekstreme forhold kan der forekomme batteriutætheder. Hvis du opdager væske på batterierne, så tør den forsigtigt af med en klud. Undgå kontakt med huden.
- ◆ I tilfælde af at væsken kommer i kontakt med huden, skal man følge nedenstående vejledning.

**Advarsel!** Batterivæsken kan forårsage personskade eller materielle skader. Ved hudkontakt skal stedet omgående skylles med vand. Forekommer der udslæt, smerte eller irritation, så søg læge. Ved øjenkontakt skylles straks med rent vand. Søg derefter læge.

### Opladere

Din oplader er beregnet til en specifik netspænding. Før brug skal det kontrolleres, at netspændingen svarer til den, der er angivet på typeskiltet.

**Advarsel!** Forsøg aldrig at udskifte opladerenheden med et almindeligt netstik.

- ◆ Din Black & Decker lader må kun benyttes til Black & Decker batterier af samme slags som dem, der fulgte med værktøjet. Andre batterier kan eksplodere og derved forårsage personskader og skader på ting.
- ◆ Man må aldrig forsøge at genoplade ikke-opladelige batterier.
- ◆ Hvis el-ledningen er skadet, skal den udskiftes af producenten eller et autoriseret Black & Decker servicecenter for at undgå ulykker.
- ◆ Defekte ledninger skal straks udskiftes.
- ◆ Udsæt ikke opladeren for vand.
- ◆ Opladeren må ikke åbnes.
- ◆ Opladeren må ikke manipuleres.
- ◆ Apparatet/redskabet/batteriet skal placeres i et velventileret område ved opladning.



Opladeren er kun beregnet til indendørs brug.



Læs brugsanvisningen, før du tager værktøjet i brug.



Fejlsikker isolerende transformere. Strømforsyningen er elektrisk adskilt fra transformerens udgang.



Opladeren afbrydes automatisk, hvis den omgivende temperatur bliver for høj. Som følge heraf kan opladeren ikke længere fungere. Denne enhed skal afbrydes fra strømforsyningen og bringes til reparation på autoriseret serviceværksted.

### El-sikkerhed



Din oplader er dobbelt isoleret. Derfor er jordledning ikke nødvendig. Før brug skal det kontrolleres, at netspændingen svarer til den, der er angivet på typeskiltet.

- ◆ Hvis el-ledningen er skadet, skal den udskiftes af producenten eller et autoriseret Black & Decker servicecenter for at undgå ulykker.
- ◆ **Advarsel!** Forsøg aldrig at udskifte opladerenheden med et almindeligt netstik.

### Funktioner

1. Tænd/sluk-kontakt
2. Forlæns/baglæns-skyder
3. Bitholder
4. LED-lys

**Fig. A**

- 5. Oplader
- 6. Opladerstik

**Montering****Montering og demontering af en borebits eller en skruetrækkerbits (fig. B)**

Dette værktøj bruger skruetrækkerbits og borebits med 6,35 mm sekskantet skaft.

- ◆ Indsæt en bit ved at stikke skaftet i bitsholderen (3).
- ◆ Fjern en bit ved at trække bitsskaftet ud af bitsholderen (3).

**Anvendelse**

Advarsel! Lad værktøjet arbejde i dets eget tempo. Det må ikke overbelastes.

- ◆ Før første ibrugtagning skal batteriet oplades i mindst 9 timer.

**Opladning af batteriet (fig. C)**

- ◆ Sæt opladerstikket (6) i kontakten (7).
- ◆ Sæt opladeren (5) i stikkontakten.
- ◆ Lad værktøjet sidde i opladeren i 12 timer.

Opladeren kan summe og blive varm under opladning. Dette er normalt og er ikke ensbetydende med, at der er problemer.

Advarsel! Sæt ikke batteriet til opladning ved omgivende temperaturer under 10 °C eller over 40 °C.

**Valg af drejeretning (fig. D)**

Til boring og stramning af skruer benyttes fremadrotation. Til løsning af skruer eller fjernelse af blokerede borebits bruges bagudrotation.

- ◆ For at vælge fremadrotation skal du skubbe forlæns/baglæns-skyderen (2) til højre.
- ◆ For at vælge tilbagerotation skal du skubbe forlæns/baglæns-skyderen (2) til venstre.
- ◆ For at låse værktøjet sættes højre/venstre omskifteren i midten.

**Boring/skruetrækning**

- ◆ Man vælger forlæns- eller baglænsrotation ved hjælp af forlæns/baglæns-skyderen (2).
- ◆ Tryk på afbryderen (1) for at tænde for maskinen.
- ◆ Sluk for maskinen ved at slippe afbryderen (1).

**LED-lys**

LED-lyset (4) aktiveres automatisk, når aftrækkeren trykkes ind. LED-lyset lyser ligeledes, når aftrækker trykkes ned og fremad/baglæns-skyderen (2) er i låst position (midterposition).

**Gode råd til optimalt brug****Skruing**

- ◆ Man skal altid benytte skruetrækkerbits af korrekt type og størrelse.

- ◆ Hvis skruerne er svære at stramme, kan man påsmøre en smule sæbe som smøremiddel.
- ◆ Brug spindellåsen til at løsne meget stramme skruer eller til at stramme skruer meget fast.
- ◆ Værktøjet og skruetrækkerbit'en skal altid holdes lige på skruen.
- ◆ Når man skruer i træ, anbefales det, at man borer et forboringshul med en dybde, der svarer til skruens længde. Et forboringshul leder skruen og forhindrer, at træet splintres eller deformeres. Oplysning om, hvordan man opnår den optimale størrelse af et forboringshul, findes i tabellen herunder.
- ◆ Når man skruer i hårdt træ, anbefales det desuden, at man borer et forboringshul med en dybde, der svarer til skruens halve længde. Oplysning om, hvordan man opnår den optimale størrelse af et forboringshul, findes i tabellen herunder.

Skruestørrelse	Forboringshul ø (blødt træ)	Forboringshul ø (hårdt træ)	Forboringshul ø
Nr. 6 (3,5 mm)	2,0 mm	2,5 mm	3,6 mm
Nr. 8 (4 mm)	2,5 mm	3,0 mm	4,5 mm
Nr. 10 (5 mm)	3,0 mm	3,5 mm	5,0 mm

**Boring**

- ◆ Man skal altid trykke let nedad i lige linie med borebit'en.
- ◆ Lige før borespidsen går igennem arbejdsemnets bagside, lettes trykket på værktøjet.
- ◆ Benyt en træklods til at støtte bagsiden af arbejdsemner, som kan splintre.
- ◆ Lav et prøvehul ved at benytte en kørner i centrum af det hul, som skal bores, for således at forbedre nøjagtigheden.

**Tilbehør**

Værktøjets ydeevne afhænger af, hvilket tilbehør der bruges. Black & Decker og Piranha tilbehør er konstrueret, så det opfylder høje kvalitetsstandarder, og det er beregnet til at forbedre værktøjets ydeevne. Bruger du dette tilbehør, vil du få det allerbedste ud af værktøjet.

Dette værktøj bruger skruetrækkerbits med 6,35 mm (1/4") sekskantet skaft. Piranha Super-lok-tilbehør er designet til brug sammen med dette værktøj.

**Vedligeholdelse**

Dit el-/batteridrevne Black & Decker redskab/værktøj er designet til at være i drift i lang tid og med minimal vedligeholdelse. Fortsat tilfredsstillende anvendelse afhænger af, at værktøjet behandles korrekt og gøres rent med regelmæssige mellemrum. Opladeren kræver ingen anden vedligeholdelse end regelmæssig rengøring.

Advarsel! Før udførelse af vedligeholdelsesopgaver på værktøjet, så sluk for det og træk stikket ud af kontakten eller fjern batteriet, hvis det har et separat batteri. Hvis batteriet er internt, så aflad batteriet helt. Tag opladeren ud af stikkontakten før rengøring.

- ◆ Rengør regelmæssigt værktøjets ventilationshuller og oplader med en blød børste eller en tør klud.
- ◆ Man skal regelmæssigt gøre motorhuset rent med en fugtig klud. Man må ikke bruge slibemidler eller opløsningsmidler.
- ◆ Man skal regelmæssigt åbne patronen og banke den let for at fjerne støv fra dens indre (når den er installeret).

## Beskyttelse af miljøet



Separat indsamling. Dette produkt må ikke bortskaffes sammen med almindeligt husholdningsaffald.

Hvis du en dag skal udskifte dit Black & Decker produkt, eller hvis du ikke skal bruge det længere, må du ikke bortskaffe det sammen med husholdningsaffald. Dette produkt skal være tilgængeligt for separat indsamling.



Separat indsamling af brugte produkter og emballage gør det muligt at genbruge materialer. Genbrugte materialer forebygger miljøforurening og nedbringer behovet for råstoffer.

Lokale regler kan give mulighed for separat indsamling af elektriske husholdningsprodukter på kommunale lossepladser eller hos den forhandler, som du købte produktet af.

Black & Decker har en facilitet til indsamling og genbrug af Black & Decker-produkter, når deres levetid er slut. Få fordelene ved denne service ved at returnere produktet til en autoriseret tekniker, der samler værktøj sammen på vores vegne.

Du kan få oplyst den nærmeste autoriserede tekniker ved at kontakte det lokale Black & Decker-kontor på den adresse, der er angivet i denne brugsanvisning. Alternativt findes der en liste over autoriserede Black & Decker-teknikere og oplysninger om vores eftersalgsservice og kontaktpersoner på Internettet på adressen: [www.2helpU.com](http://www.2helpU.com)

## Batterier



Ved endt teknisk levetid skal man kassere dem med omtanke for miljøet:

- ◆ Kortslut ikke batteripolerne.
- ◆ Brænd ikke batteriet(erne), da dette kan lede til personskade eller eksplosion.
- ◆ Afled batteriet fuldstændigt, og fjern det derefter fra værktøjet.
- ◆ Batterierne kan genanvendes. Læg batteriet(erne) i en dertil egnet emballage for at undgå, at polerne kortsluttes. Bring dem til en autoriseret tekniker eller en lokal genbrugscentral.

## Tekniske data

KC460LN (H1)	
Spænding	V <sub>DC</sub> 3,6
Ubelastet hastighed	min <sup>-1</sup> 180
Stagnationsvridmoment	Nm 7,7
Maks. vridmoment	Nm 3,2
Biholder	mm 6,35 (1/4")
Vægt	kg 0,4

## Batteri

Spænding	V 3,6
Batteritype	Li-Ion
Kapacitet	Ah 1,1

## Lader

905450XX	
Spænding	V <sub>AC</sub> 230
Udgangsspænding	V <sub>DC</sub> 9
Amperetal	mA 100
Opladningstid (ca.)	h 12
Vægt	kg 0,4

Lyd niveauev i henhold til EN 60745:

Lydtryk ( $L_{pA}$ ) 58,9 dB(A), usikkerhed (K) 3 dB(A)  
 Lydintensitet ( $L_{WA}$ ) 69,9 dB(A), usikkerhed (K) 3 dB(A)

Vibrationernes totale værdi (triax vector sum)  
 i henhold til EN 60745:

Slagboring i metal ( $a_{h,D}$ ) 0,979 m/s<sup>2</sup>, usikkerhed (K) 1,5 m/s<sup>2</sup>  
 Skrueing uden kraft ( $a_{h,S}$ ) 0,247 m/s<sup>2</sup>, usikkerhed (K) 1,5 m/s<sup>2</sup>



## EU overensstemmelseserklæring

MASKINDIREKTIV



KC460LN

Black & Decker erklærer, at disse produkter, beskrevet under "tekniske data", overholder følgende:  
2006/42/EF, EN 60745-1, EN 60745-2-2

For mere information, kontakt venligst Black & Decker på følgende adresse eller på adressen bagerst i brugsanvisningen.

Undertegnede er ansvarlig for kompilering af den tekniske fil og laver denne erklæring på vegne af Black & Decker.

Kevin Hewitt

Vice-President Global Engineering  
Black & Decker Europe, 210 Bath Road, Slough,  
Berkshire, SL1 3YD  
Storbritannien  
23/02/2010

## Reserve dele / reparationer

Reserve dele kan købes hos autoriserede Black & Decker serviceværksteder, som giver forslag til omkostninger og reparerer vore produkter. Oversigt over vore autoriserede værksteder findes på internettet på vor hjemmeside [www.blackanddecker.dk](http://www.blackanddecker.dk) samt [www.2helpU.com](http://www.2helpU.com)

## Garanti

Black & Decker garanterer, at produktet er fri for materielle skader og/eller fabrikationsfejl ved levering til kunden. Garantien er et tillæg til konsumentens lovlige rettigheder og påvirker ikke disse. Garantien gælder indenfor medlemsstaterne af den Europæiske Union og i det Europæiske Frihandelsområde.

Hvis et Black & Decker produkt går i stykker på grund af materiel skade og/eller fabrikationsfejl eller på anden måde ikke fungerer i overensstemmelse med specifikationen, inden for 24 måneder fra købsdatoen, påtager Black & Decker sig at reparere eller ombytte produktet med mindst muligt besvær for kunden.

Garantien gælder ikke for fejl og mangler, der er sket i forbindelse med:

- ◆ normal slitage
- ◆ uheldige følger efter unormal anvendelse af værktøjet
- ◆ overbelastning, hærværk eller overdrevent intensivt brug af værktøjet
- ◆ ulykkeshændelse

Garantien gælder ikke hvis reparationer er udført af nogen anden end et autoriseret Black & Decker værksted.

For at udnytte garantien skal produktet og købskvitteringen indleveres til forhandleren eller til et autoriseret værksted, senest 2 måneder efter at fejlen opdages. For information om nærmeste autoriserede værksted: kontakt det lokale Black & Decker kontor på den adresse som er opgivet i brugsanvisningen. Liste over alle autoriserede Black & Decker serviceværksteder samt servicevilkår er tilgængelig på internettet, på adressen [www.2helpU.com](http://www.2helpU.com)

Gå venligst ind på vores website [www.blackanddecker.dk](http://www.blackanddecker.dk) for at registrere dit nye produkt og for at blive holdt ajour om nye produkter og specialtilbud. Der findes yderligere oplysninger om mærket Black & Decker og vores produktsortiment på adressen [www.blackanddecker.dk](http://www.blackanddecker.dk)

## Käyttötarkoitus

Black & Deckerin kompakti ruuvitaltta on tarkoitettu ruuvaamiseen sekä puun, metallin ja muovin poraamiseen. Kone on tarkoitettu kotikäyttöön.

## Turvaohjeet

### Yleiset sähkötyökalujen turvallisuusohjeet



**Varoitus!** Kaikki ohjeet täytyy lukea. Alla olevien ohjeiden noudattamisen laiminlyönti saattaa johtaa sähköiskuun, tulipaloon ja/tai vakavaan loukkaantumiseen.

Säilytä nämä ohjeet hyvin. Seuraavassa käytetty käsite "sähkötyökalu" käsittää verkkokäyttöiset sähkötyökalut (verkkojohdolla) ja paristokäyttöiset sähkötyökalut (ilman verkkojohdot).

1. Työpisteen turvallisuus
    - a. Pidä työskentelyalue puhtaana ja hyvin valaistuna. Epäjärjestyksessä olevilla ja valaisemattomilla työalueilla voi tapahtua tapaturmia.
    - b. Älä työskentele sähkötyökalulla räjähdysalttiissa ympäristössä, jossa on palavaa nestettä, kaasua tai pölyä. Sähkötyökalu muodostaa kipinöitä, jotka saattavat sytyttää pölyn tai höyryt.
    - c. Pidä lapset ja sivulliset loitolla sähkötyökalua käyttäessäsi. Voit menettää laitteesi hallinnan huomiosi suuntautuessa muualle.
  2. Sähköturvallisuus
    - a. Sähkötyökalun pistotulpan tulee sopia pistorasiaan. Pistotulppaa ei saa muuttaa millään tavalla. Älä käytä minkäänlaisia sovittinpistokkeita maadoitettujen sähkötyökalujen kanssa. Alkuperäisessä tilassa olevat pistotulpat ja sopivat pistorasiat vähentävät sähköiskun vaaraa.
    - b. Vältä koskettamasta maadoitettuja pintoja, kuten putkia, pattereita, liesiä tai jääkaappeja. Sähköiskun vaara kasvaa, jos kehosi on maadoitettu.
    - c. Älä altista sähkötyökalua sateelle tai kosteudelle. Veden tunkeutuminen sähkötyökalun sisään kasvattaa sähköiskun riskiä.
    - d. Älä käytä verkkojohdot väärin. Älä käytä sitä sähkötyökalun kantamiseen, vetämiseen tai pistotulpan irrottamiseen pistorasiasta. Pidä johto loitolla kuumuudesta, öljystä, terävistä reunoista ja liikkuvista osista. Vahingoittuneet tai sotkeutuneet johdot kasvattavat sähköiskun vaaraa.
    - e. Käyttäessäsi sähkötyökalua ulkona, käytä ainoastaan ulkokäyttöön soveltuvaa jatkojohtoa. Ulkokäyttöön soveltuvan jatkojohdon käyttö pienentää sähköiskun vaaraa.
  - f. Jos sähkötyökalua joudutaan käyttämään kosteassa ympäristössä, käytä aina jännönsvirtalaitteella (RCD) suojattua virtalähdettä. Jännönsvirtalaitteen käyttö vähentää sähköiskun vaaraa.
3. Henkilöturvallisuus
    - a. Ole valpas, kiinnitä huomiota työskentelyysi ja noudata tervettä järkeä sähkötyökalua käyttäessäsi. Älä käytä sähkötyökalua, jos olet väsynyt tai huumeiden, alkoholin tai lääkkeiden vaikutuksen alaisena. Hetken tarkkaamattomuus sähkötyökalua käytettäessä saattaa johtaa vakavaan loukkaantumiseen.
    - b. Käytä suojavarusteita. Käytä aina suojalaseja. Suojavarusteet, kuten pölynsuojanaamari, luistamattomat turvajalkineet, kypärä ja kuulosuojaimet pienentävät, tilanteen mukaan oikein käytettynä, loukkaantumisriskiä.
    - c. Vältä sähkötyökalun tahatonta käynnistämistä. Varmista, että käynnistyskytkin on asennossa "off", ennen kuin kytket pistotulpan pistorasiaan tai kannat sähkötyökalua. Jos kannat sähkötyökalua sormi käynnistyskytkimellä tai kytket sähkötyökalun pistotulpan pistorasiaan, käynnistyskytkimen ollessa käyntiasennossa, altistat itsesi onnettomuuksille.
    - d. Poista kaikki säätötyökalut ja ruuvitaltat, ennen kuin käynnistät sähkötyökalun. Laitteen pyöriivään osaan jäänyt työkalu tai avain saattaa johtaa loukkaantumiseen.
    - e. Älä kurkota. Seiso aina tukevasti ja tasapainossa. Täten voit paremmin hallita sähkötyökalua odottamattomissa tilanteissa.
    - f. Käytä tarkoitukseen soveltuvia vaatteita. Älä käytä löysiä työvaatteita tai koruja. Pidä hiukset, vaatteet ja käsineet loitolla liikkuvista osista. Väljät vaatteet, korut ja pitkät hiukset voivat takertua liikkuviin osiin.
    - g. Jos polynimu- ja keräilylaitteita voidaan asentaa työkaluun, sinun pitää tarkistaa, että ne on liitetty ja että niitä käytetään oikealla tavalla. Näiden laitteiden käyttö vähentää pölyn aiheuttamia vaaroja.
  4. Sähkötyökalujen käyttö ja hoito
    - a. Älä ylikuormita sähkötyökalua. Käytä kyseiseen työhön tarkoitettua sähkötyökalua. Sopivaa sähkötyökalua käyttäen työskentelet paremmin ja varmemmin tehoalueella, jolle sähkötyökalu on tarkoitettu.
    - b. Älä käytä sähkötyökalua, jota ei voida käynnistää ja pysäyttää virtakytkimestä. Sähkötyökalu, jota ei enää voida käynnistää ja pysäyttää käynnistyskytkimellä, on vaarallinen ja se täytyy korjata.
    - c. Irrota pistotulppa pistorasiasta, ennen kuin suoritat säätöjä, vaihdat tarvikkeita tai siirät sähkötyökalun varastoitavaksi. Nämä turvatoimenpiteet laskevat sähkötyökalun tahatonta käynnistysriskiä.
    - d. Säilytä sähkötyökalut poissa lasten ulottuvilta, kun niitä ei käytetä. Älä anna sellaisten henkilöiden

- käyttää sähkötyökalua, jotka eivät tunne sitä tai jotka eivät ole lukeneet tätä käyttöohjetta. Sähkötyökalut ovat vaarallisia, jos niitä käyttävät kokemattomat henkilöt.
- e. Hoida sähkötyökalusi huolella. Tarkista, että liikkuvat osat toimivat moitteettomasti, eivätkä ole puristuksessa ja että työkalussa ei ole murtuneita tai vahingoittuneita osia, jotka saattaisivat vaikuttaa haitallisesti sen toimintaan. Korjauta mahdolliset viat ennen käyttöönottoa. Moni tapaturma aiheutuu huonosti huolletuista laitteista.
  - f. Pidä leikkausterät terävinä ja puhtaina. Huolellisesti hoidetut leikkaustyökalut, joiden terät ovat teräviä, eivät tartu helposti kiinni ja niitä on helpompi hallita.
  - g. Käytä sähkötyökaluja, tarvikkeita, vaihtotyökaluja jne. näiden ohjeiden mukaisesti. Ota tällöin huomioon työolosuhteet ja suoritettava toimenpide. Sähkötyökalun käyttö muuhun kuin tarkoituksenmukaiseen käyttöön saattaa johtaa vaarallisiin tilanteisiin.
5. Akkukäyttöisten työkalujen käyttö ja hoito
    - a. Lataa akku vain valmistajan määrittelemällä laturilla. Laturi, joka soveltuu määrätyn tyyppiselle akulle, saattaa muodostaa tulipalovaaran erilaista akkua ladattaessa.
    - b. Käytä sähkötyökalussa ainoastaan kyseiseen sähkötyökaluun tarkoitettua akkua. Jonkun muun akun käyttö saattaa johtaa loukkaantumiseen ja tulipaloon.
    - c. Pidä irrallista akkua loitolla metalliesineistä, kuten paperiniittimistä, kolikoista, avaimista, nauloista, ruuveista tai muista pienistä metalliesineistä, jotka voivat oikosulkea akun koskettimet. Akun kosketinten välinen oikosulku saattaa aiheuttaa palovammoja tai johtaa tulipaloon.
    - d. Väärästä käytöstä johtuen saattaa paristosta vuotaa nestettä, jota ei tule koskettaa. Jos nestettä vahingossa joutuu iholle, huuhtelee kosketuskohta vedellä. Jos nestettä pääsee silmiin, tarvitaan tämän lisäksi lääkärin apua. Paristosta vuotava neste saattaa aiheuttaa ärsytystä ja palovammoja.
  6. Huolto
    - a. Anna koulutettujen ammattitaitoisten henkilöiden korjata sähkötyökalusi ja hyväksy korjauksiin vain alkuperäisiä varaosia. Täten varmistat, että sähkötyökalu säilyy turvallisena.

## Sähkötyökalujen lisäturvallisuushjeet



**Varoitus!** Ruuvitaltoja ja iskuruuvinavaimia koskevat lisäturvallisuushjeet

- ◆ Käsittele sähkötyökalua eristävien tartuntapintojen avulla tehdessäsi työtä, jossa ruuvausosa voi joutua kosketuksiin piilossa olevien sähköjohtojen tai oman

virtajohtonsa kanssa. Jännitteeseen johtimeen koskettavat ruuvausosat saattavat tehdä työkalun paljaista metalliosista jännitteisiä ja aiheuttaa sähköiskun käyttäjälle.

- ◆ Käytä kuulonsuojaimia iskuruuvivain käytön yhteydessä. Alistuminen melulle voi aiheuttaa kuulovaurioita.
- ◆ Käytä koneen varusteisiin kuuluvia lisäkahvoja. Koneen hallinnan menetys voi aiheuttaa loukkaantumisen.
- ◆ Käytä ruuvipuristimia tai vastaavaa keinoa, jolla saat kiinnitettyä ja tuettua työkappaleen tukevalle alustalle. Työkappaleen kannattaminen käsin tai tukeminen kehoa vasten voi johtaa kappaleen irtoamiseen ja vaaratilanteen syntymiseen.
- ◆ Ennen porausosien poraamista seiniin, lattiaihin tai kattoihin tarkista sähköjohtojen ja putkistojen sijainnit.
- ◆ Henkilöt (lapset mukaan lukien), joilla on fyysisiä, tunnollisia tai henkisiä rajoituksia tai rajallinen kokemus ja tuntemus, eivät saa käyttää tätä laitetta ellei heidän turvallisuudesta vastaava henkilö valvo tai ohjaa heitä laitteen käytössä. Lapsia on valvottava, etteivät he leiki koneen kanssa.
- ◆ Käyttö, johon työkalu on tarkoitettu, on kuvattu tässä käyttöohjeessa. Käytä vain käyttöohjeessa ja tuotekuvastossa suositeltuja tarvikkeita ja lisälaitteita. Ohjeesta poikkeava käyttö voi aiheuttaa onnettomuuden ja/tai aineellisia vahinkoja.

## Muiden turvallisuus

- ◆ Henkilöt (lapset mukaan lukien), joilla on fyysisiä, tunnollisia tai henkisiä rajoituksia tai rajallinen kokemus ja tuntemus, eivät saa käyttää tätä laitetta ellei heidän turvallisuudesta vastaava henkilö valvo tai ohjaa heitä laitteen käytössä.
- ◆ Lapsia on valvottava, etteivät he leiki koneen kanssa.

## Jäännösriskit.

Jäännösriskit ovat mahdollisia, jos käytät työkalua muulla kuin turvavaroituksissa mainitulla tavalla. Nämä riskit voivat liittyä muun muassa virheelliseen tai pitkäaikaiseen käyttöön.

Tiettyjä jäännösriskejä ei voi välttää, vaikka noudatat kaikkia turvamääräyksiä ja käytät turvalaitteita. Näihin kuuluvat muun muassa:

- ◆ pyörivien tai liikkuvien osien koskettamisen aiheuttamat vahingot.
- ◆ osia, teriä tai lisävarusteita vaihdettaessa aiheutuneet vahingot.
- ◆ työkalun pitkäaikaisen käytön aiheuttamat vahingot Kun käytät työkalua pitkään, varmista, että pidät säännöllisesti taukoja.
- ◆ kuulovauriot.
- ◆ työkalua käytettäessä (esimerkiksi puuta, erityisesti tammea, pyökkiiä ja MDF-levyjä, käsiteltäessä) syntyneen pölyn sisäänhengityksen aiheuttamat terveysriskit.

## Tärinä

Käyttöohjeen teknisissä tiedoissa ja vaatimustenmukaisuusvakuutuksessa ilmoitetut tärinän päästöarvot on mitattu EN 60745-normin vakioiden testimenetelmän mukaisesti ja niitä voidaan käyttää työkalun vertaamisessa toiseen. Ilmoitettua tärinän päästöarvoa voidaan myös käyttää altistumisen arviointiin ennakkolta.

**Varoitus!** Sähkötyökalun tärinän päästöarvo voi varsinaisen käytön aikana poiketa ilmoitetusta arvosta riippuen siitä, millä tavalla työkalua käytetään. Tärinän taso voi kohota ilmoitetun tason yläpuolelle.

Kun tärinälle altistumista arvioidaan, jotta voidaan määrittää 2002/44/EY-direktiivin edellyttämät turvatoimenpiteet säännöllisesti sähkötyökaluja työssä käyttävien henkilöiden suojelemiseksi, tärinälle altistumisen arvion tulee ottaa huomioon varsinaiset käyttöolosuhteet ja työkalun käytettävän, johon sisältyy kaikkien käyttöjakson osien huomioon ottaminen, kuten ajat, jolloin työkalu on pois päältä tai kun se käy joutokäyntiä sekä käynnistysajan.

## Koneessa olevat merkit

Koneessa on seuraavat kuvamerkinnot:



**Varoitus!** Loukkaantumisen vaaran ehkäisemiseksi käyttäjän on luettava käyttöohjeet.

## Lisäturvaohteet akuille ja latureille

### Akut

- ◆ Älä koskaan yritä avata akkua.
- ◆ Älä altista akkua vedelle.
- ◆ Älä altista akkua kuumuudelle.
- ◆ Älä säilytä akkua paikassa, jonka lämpötila saattaa ylittää 40 °C.
- ◆ Lataa akku ainoastaan lämpötilan ollessa 10 °C ja 40 °C.
- ◆ Lataa akku käyttäen ainoastaan laitteen mukana toimitettua laturia.
- ◆ Kun poistat akun käytöstä, noudata kappaleessa ”Ympäristö” annettuja ohjeita.
- ◆ Älä vaurioita tai muunna akkua pistoin tai iskuin, sillä tällöin on olemassa onnettomuus- ja tulipalovaara.
- ◆ Älä lataa vaurioituneita akkuja.
- ◆ Ääriolosuhteissa akut saattavat vuotaa. Jos paristoissa on nestettä, pyyhi ne varoen pyyhkeellä. Vältä nesteen joutuminen iholle.
- ◆ Mikäli nestettä osuu iholle tai silmiin, noudata alla olevia ohjeita:

**Varoitus!** Akkuneste voi aiheuttaa henkilö- tai omaisuusvahinkoja. Jos akkunestettä pääsee iholle, huuho se välittömästi vedellä. Jos iho punoittaa tai jos iholla esiintyy kipua tai ärsytystä, käänny lääkärin puoleen. Mikäli nestettä pääsee silmiin, huuhtelee silmät välittömästi puhtaalla vedellä ja käänny lääkärin puoleen.

## Laturit

Laturi on suunniteltu tietylle jännitteelle. Tarkista aina ennen laitteen käyttöä, että verkkojännite vastaa arvokilvessä ilmoitettua jännitettä.

**Varoitus!** Älä koskaan yritä vaihtaa laturia normaaliin verkkovirtapistokkeeseen.

- ◆ Käytä Black & Decker -laturia ainoastaan laitteen mukana toimitetun akun lataamiseen. Muunlaiset akut saattavat räjähtää aiheuttaen henkilö- ja esinevahinkoja.
- ◆ Älä koskaan yritä ladata ei-ladattavia akkuja.
- ◆ Jos sähköjohto on vaurioitunut, se saadaan vaihtaa vain valtuutetussa Black & Deckerin huoltoliikkeessä vaaratilanteiden välttämiseksi.
- ◆ Vaihda vialliset johdot välittömästi.
- ◆ Älä altista laturia vedelle.
- ◆ Älä avaa laturia.
- ◆ Älä vahingoita laturia.
- ◆ Laite/työväline/akku tulee asettaa hyvin tuuletettuun tilaan latauksen ajaksi.



Laturi on tarkoitettu vain sisäkäyttöön.



Lue käyttöohje huolellisesti ennen käyttöä.



Erotusmuuntaja on vian sattuessa turvallinen. Virtalähde on sähköisesti erillään muuntajan ulostulosta.



130°C  
Kun ympäristön lämpötila kohoaa liian korkeaksi, laturi kytkeytyy automaattisesti pois päältä. Tällöin laturi ei toimi. Laite on irrotettava verkkovirrasta ja vietyä valtuutettuun huoltokeskukseen korjattavaksi.

## Sähköturvallisuus



Laturi on kaksoiseristetty; siksi erillistä maadoitusta ei tarvita. Tarkista aina ennen laitteen käyttöä, että verkkojännite vastaa arvokilvessä ilmoitettua jännitettä.

- ◆ Jos sähköjohto on vaurioitunut, se saadaan vaihtaa vain valtuutetussa Black & Deckerin huoltoliikkeessä vaaratilanteiden välttämiseksi.
- ◆ **Varoitus!** Älä koskaan yritä vaihtaa laturia normaaliin verkkovirtapistokkeeseen.

## Ominaisuudet

1. Virtakytkin
2. Suunnanvaihtokytkin
3. Terän pidike
4. LED-merkivalo

## Kuva A

5. Laturi
6. Laturin kontakti

## Kokoaminen

### Poranterien ja ruuvitaltojen kiinnitys ja poisto (kuva B)

Tässä työkalussa käytetään ruuvitaltoja ja poranteriä, joissa on 6,35 mm:n kuusiokantavarsi.

- ◆ Kiinnittääksesi terän työhönä terän akseli terän pidikkeeseen (3).
- ◆ Poistaaksesi terän vedä akseli terän pidikkeestä (3).

## Käyttö

**Varoitus!** Anna koneen käydä omaan tahtiinsa.

Älä ylikuormita sitä.

- ◆ Akkua täytyy ladata vähintään 9 tuntia ennen ensimmäistä käyttökertaa.

## Akun lataaminen (kuva C)

- ◆ Liitä laturin pistoke (6) liittimeen (7).
- ◆ Kytke laturi virtalähteeseen (5).
- ◆ Anna koneen olla liitettynä laturiin 12 tuntia.

Laturi voi surista ja lämmetä ladattaessa; tämä on normaalia eikä ole merkinä minkäänlaisesta ongelmasta.

**Varoitus!** Älä lataa akkua alle 10:n tai yli 40 °C:n lämpötiloissa.

## Suunnanvaihto (kuva D)

Käytä eteenpäin suuntautuvaa pyörimisliikettä poraamiseen ja ruuvien kiristämiseen. Käytä taaksepäin suuntautuvaa pyörimisliikettä ruuvien tai jumiutuneen poranterän irrottamiseen.

- ◆ Valitse pyörimissuunnaksi eteenpäin siirtämällä suunnanvaihtokytkin (2) eteenpäin.
- ◆ Valitse kiertosuunnaksi taaksepäin siirtämällä suunnanvaihtokytkin (2) taaksepäin.
- ◆ Lukitse kone asettamalla suunnanvaihtokytkin keskiasentoon.

## Poraus ja ruuvaus

- ◆ Valitse suunnanvaihtokytkimellä (2) pyörimissuunnaksi eteen- tai taaksepäin.
- ◆ Käynnistä kone painamalla virrankatkaisijaa (1).
- ◆ Sammuta kone päästämällä irti virrankatkaisijasta (1).

## LED-merkkivalo

LED-merkkivalo (4) aktivoituu automaattisesti laukaisinta painaessa. LED-merkkivalo syttyy myös silloin, kun laukaisinta painetaan ja eteenpäin-/taaksepäinsiirrin (2) on lukitussa asemassa (keskiasennossa).

## Vinkkejä parhaimman tuloksen saamiseksi

### Ruuvaus

- ◆ Käytä aina oikean mallista ja -kokoista ruuvinväänintä.
- ◆ Jos ruuvi on hankala kiristää, voidaan voiteluaineena käyttää hiukan nestemäistä pesuainetta tai saippuaa.
- ◆ Käytä karalukkoa erittäin tiukkojen ruuvien löysäämistä tai ruuvien mahdollisimman tiukkaa kiristämistä varten.
- ◆ Pidä konetta ja ruuvinväänintä aina kohtisuorassa ruuviin nähden.
- ◆ Ennen ruuvien kiertämistä puuhun on hyvä porata ohjausreikä, jonka syvyys vastaa ruuvien pituutta. Ohjausreiän avulla ruuvi kiertyy suoraan estäen puun hajoamisen tai vahingoittumisen. Katso alla olevaa taulukkoa.
- ◆ Ennen ruuvien kiertämistä kovaan puuhun on hyvä porata ohjausreikä, jonka syvyys on puolet ruuvien pituudesta. Katso alla olevaa taulukkoa.

Ruuvien koko	Ohjausreiän ø (pehmeä puu)	Ohjausreiän ø (kova puu)	Ohjausreikä
Nro 6 (3,5 mm)	2,0 mm	2,5 mm	3,6 mm
Nro 8 (4 mm)	2,5 mm	3,0 mm	4,5 mm
Nro 10 (5 mm)	3,0 mm	3,5 mm	5,0 mm

### Poraus

- ◆ Paina terää kevyesti suoraan työstökappaletta kohti.
- ◆ Vähennä koneen painamista juuri ennen kuin terän kärki tulee ulos työstökappaleen toiselta puolelta.
- ◆ Käytä puunpalaa työstökappaleen alla halkeilun estämiseksi.
- ◆ Tee pistepuikolla aloitusreikä porattavan reiän keskikohtaan, niin porauksen tarkkuus paranee.

## Tarvikkeet

Koneen käyttöalue riippuu käytettävästä tarvikkeesta. Black & Decker- ja Piranha -tarvikkeet ovat korkealaatuisia. Käyttämällä näitä tarvikkeita saat koneestasi irti parhaan mahdollisen.

Tässä työkalussa käytetään ruuvinväänintimen teriä, joissa on 1/4" (6,35 mm) kuusiokantavarsi. Piranha Super-lok-tarvikkeet on suunniteltu käytettäväksi tämän työkalun yhteydessä.

## Huolto

Black & Deckerin langallinen/langaton laite/työkalu on suunniteltu toimimaan mahdollisimman pitkän aikaa mahdollisimman vähällä huollolla. Asianmukainen käyttö ja säännönmukainen puhdistus takaavat laitteen jatkuvan tyydyttävän toiminnan. Laturi ei tarvitse säännöllisen puhdistamisen lisäksi mitään muuta huoltoa.

**Varoitus!** Ennen työkalun huoltoa on laite kytkettävä pois päältä ja sen pistoke on irrotettava pistorasiasta tai jos laitteessa on

erillinen akku, se on poistettava. Jos akku on täysi, tyhjennä se kokonaan. Irrota laturi virtalähteestä ennen puhdistamista.

- ◆ Puhdista koneen ja laturin ilma-aukot säännöllisesti pehmeällä harjalla tai kuivalla siivousliinalla.
- ◆ Puhdista työkalun kuori säännöllisesti kostealla siivousliinalla. Älä koskaan käytä puhdistamiseen liuotinaiteita tai syövyttäviä puhdistusaineita.
- ◆ Avaa istukka säännöllisin väliajoin ja kopauta sitä pölyjen poistamiseksi sisältä (jos asennettu).

## Ympäristön suojelu



Erillinen keräys. Tätä tuotetta ei saa hävittää normaalin kotitalousjätteen kanssa.

Kun Black & Decker -koneesi on käytetty loppuun, älä hävitä sitä kotitalousjätteen mukana. Tämä tuote on kerättävä erikseen.



Käytettyjen tuotteiden ja pakkausten erillinen keräys mahdollistaa materiaalien kierrätyksen ja uudelleenkäytön. Kierrätettyjen materiaalien uudelleenkäyttö auttaa ehkäisemään ympäristön saastumisen ja vähentää raaka-aineiden kysyntää.

Paikallisten säännösten mukaisesti on mahdollista viedä kotitalouksien sähkölaitteet kuntien kaatopaikoille tai jättää ne vähittäismyyjälle ostettaessa uusi tuote.

Black & Decker tarjoaa mahdollisuuden Black & Decker -tuotteiden keräykseen ja kierrätykseen sen jälkeen, kun ne on poistettu käytöstä. Jotta voisit hyötyä tästä palvelusta, palauta laitteesi johonkin valtuutettuun huoltoliikkeeseen, joka kerää laitteet meidän puolestamme.

Voit tarkistaa lähimmän valtuutetun huoltoliikkeen sijainnin ottamalla yhteyden Black & Deckerin toimistoon, joka sijaitsee tässä käsikirjassa annettussa osoitteessa. Lista valtuutetuista Black & Decker -huoltoliikkeistä sekä yksityiskohtaiset tiedot korjauspalvelustamme ovat vaihtoehtoisesti saatavilla Internetissä, osoitteessa [www.2helpU.com](http://www.2helpU.com)

## Akut



Vie loppuunkäytetyt akut niille tarkoitettuun keräyspaikkaan tai -astiaan:

- ◆ Älä päästä pariston napoja oikosulkuun.
- ◆ Älä heitä akkua (akkuja) tuleen, sillä se voi aiheuttaa henkilövahinkoja tai räjähtää.
- ◆ Käytä akku täysin loppuun ja poista se sitten työkalusta.

- ◆ Akut ovat kierrätettäviä. Aseta akku (akut) sopivaan pakkaukseen niin, ettei navoissa tapahdu oikosulkuja. Voit viedä ne mihin tahansa valtuutettuun huoltoliikkeeseen tai paikalliseen kierrätyskeskukseen.

## Tekniset tiedot

KC460LN (H1)	
Jännite	V <sub>DC</sub> 3,6
Kuormittamaton nopeus	min <sup>-1</sup> 180
Pysäytysmomentti	Nm 7,7
Suurin mahdollinen vääntömomentti	Nm 3,2
Terän pidike	mm 6,35 (1/4")
Paino	kg 0,4

## Akku

Jännite	V 3,6
Akun tyyppi	Li-Ion
Teho	Ah 1,1

## Laturi 905450XX

Jännite	V <sub>AC</sub> 230
Lähtöjännite	V <sub>DC</sub> 9
Ampeeriluku	mA 100
Latausaika (noin)	h 12
Paino	kg 0,4

Äänenpainetaso mitattu EN 60745:n mukaisesti:

Äänenpaine (L<sub>pA</sub>) 58,9 dB(A), epävarmuus (K) 3 dB(A)  
Akustinen teho (L<sub>WA</sub>) 69,9 dB(A), epävarmuus (K) 3 dB(A)

Tärinän kokonaisarvot (kolmiaks. vektorisumma) on määritetty seuraavan mukaisesti: EN 60745

Poraus metalliin (a<sub>h,D</sub>) 0,979 m/s<sup>2</sup>, epävarmuus (K) 1,5 m/s<sup>2</sup>  
Ruuvalttaus ilman iskua (a<sub>h,S</sub>) 0,247 m/s<sup>2</sup>, epävarmuus (K) 1,5 m/s<sup>2</sup>

## EU-vaatimustenmukaisuusvakuutus KONEDIREKTIIVI



Balck & Decker julistaa, että kohdassa "tekniset tiedot" kuvatut tuotteet noudattavat seuraavia:  
2006/42/EY, EN 60745-1, EN 60745-2-2

Lisätietoja saa Black & Decker -yhtiöltä seuraavasta osoitteesta tai käyttöoppaan takana olevia yhteistietoja käyttäen.

Allekirjoittava henkilö on vastuussa teknisen tiedoston täyttämisestä ja tekee tämän ilmoituksen Black & Decker -yhtiön puolesta.

Kevin Hewitt  
Vice-President Global Engineering  
Black & Decker Europe, 210 Bath Road, Slough,  
Berkshire, SL1 3YD  
Iso-Britannia  
23/02/2010

## Korjaukset / varaosat

Mikäli koneeseen tulee vikaa, jätä se aina Black & Deckerin valtuuttamaan huoltoliikkeeseen korjattavaksi. Varaosia myyvät valtuutetut Black & Deckerin huoltoliikkeet, ja heiltä voi myös pyytää kustannusarvion koneen korjauksesta.

Tiedot valtuutetuista huoltoliikkeistä löytyvät internetistä osoitteesta [www.2helpU.com](http://www.2helpU.com) sekä kotisivuiltamme [www.blackanddecker.fi](http://www.blackanddecker.fi)

## Takuu

Black & Decker Oy takaa, ettei koneessa ollut materiaali- ja/tai valmistusvikaa silloin, kun se toimitettiin ostajalle. Takuu on lisäys kuluttajan laillisiin oikeuksiin eikä vaikuta niihin. Takuu on voimassa Euroopan Unionin jäsenmaissa ja Euroopan vapaakauppa-alueella (EFTA).

Mikäli Black & Decker -kone hajooa materiaali- ja/tai valmistusvirheen tai teknisten tietojen epätarkkuuden vuoksi 24 kk:n kuluessa ostopäivästä, Black & Decker korjaa koneen ilman kustannuksia ostajalle tai vaihtaa sen uuteen Black & Decker Oy:n valinnan mukaan.

Takuu ei kata vikoja, jotka johtuvat koneen

- ◆ normaalista kulumisesta
- ◆ ylikuormituksesta, virheellisestä käytöstä tai hoidosta
- ◆ vahingoittamisesta vieraalla esineellä tai aineella tai onnettomuustapauksessa.

Takuu ei ole voimassa, mikäli konetta on korjannut joku muu kuin Black & Deckerin valtuuttama huoltoliike.

Edellytyksenä takuun saamiselle on, että ostaja jättää koneen ja ostokuitin jälleenmyyjälle tai valtuutetulle huoltoliikkeelle viimeistään 2 kuukauden kuluessa vian ilmenemisestä. Tiedot valtuutetuista huoltoliikkeistä saa ottamalla yhteyttä Black & Decker Oy:hyn sekä internetistä osoitteesta [www.2helpU.com](http://www.2helpU.com), jossa on myös takuu ehdot.

Voit vierailla verkkosivullamme [www.blackanddecker.fi](http://www.blackanddecker.fi) rekisteröidäksesi uuden Black & Decker-tuotteesi ja saadaksesi tietoa uusista tuotteista ja erikoistarjouksista. Saat lisätietoja Black & Deckerin tavaramerkistä ja tuotevalikoimastamme osoitteesta [www.blackanddecker.fi](http://www.blackanddecker.fi)

## Ενδεξιμένη χρήση

Το δραπενοκαταβίδο Black & Decker έχει σχεδιαστεί για εφαρμογές βιδώματος και για διάτρηση σε ξύλο, μέταλλο και πλαστικά. Αυτό το εργαλείο προορίζεται μόνο για ερασιτεχνική χρήση.

## Οδηγίες ασφαλείας

### Γενικές προειδοποιήσεις ασφαλείας για ηλεκτρικά εργαλεία



**Προσοχή! Διαβάστε όλες τις προειδοποιήσεις ασφαλείας και όλες τις οδηγίες.** Η μη τήρηση των παρακάτω προειδοποιήσεων και οδηγιών μπορεί να προκαλέσει ηλεκτροπληξία, πυρκαγιά ή/και σοβαρούς τραυματισμούς.

**Αποθηκεύστε όλες τις προειδοποιήσεις και οδηγίες για μελλοντική αναφορά.** Ο χαρακτηρισμός "ηλεκτρικό εργαλείο" που χρησιμοποιείται στις παρακάτω προειδοποιητικές υποδείξεις αφορά ή το εργαλείο που συνδέεται στην πρίζα (με καλώδιο) ή το εργαλείο που λειτουργεί με μπαταρία (χωρίς καλώδιο).

#### 1. Ασφάλεια χώρου εργασίας

- Διατηρείτε το χώρο που εργάζεστε καθαρό και καλά φωτισμένο.** Η αταξία στο χώρο που εργάζεστε και τα σημεία χωρίς καλό φωτισμό μπορεί να οδηγήσουν σε ατυχήματα.
- Μη χρησιμοποιείτε τα ηλεκτρικά εργαλεία σε περιβάλλον όπου υπάρχει κίνδυνος έκρηξης, π.χ. παρουσία εύφλεκτων υγρών, αερίων ή σκόνης.** Τα ηλεκτρικά εργαλεία μπορεί να δημιουργήσουν σπινθηρισμό ο οποίος μπορεί να αναφλέξει τη σκόνη ή τις αναθυμιάσεις.
- Όταν χρησιμοποιείτε το ηλεκτρικό εργαλείο, κρατάτε τα παιδιά και τα υπόλοιπα άτομα μακριά από το χώρο που εργάζεστε.** Σε περίπτωση που άλλα άτομα αποσπάσουν την προσοχή σας μπορεί να χάσετε τον έλεγχο του μηχανήματος.

#### 2. Ασφαλής χρήση του ηλεκτρικού ρεύματος

- Το φως του καλωδίου του ηλεκτρικού εργαλείου πρέπει να ταιριάζει στην αντίστοιχη πρίζα.** Δεν επιτρέπεται με κανένα τρόπο η μετασκευή του φως. Μη χρησιμοποιείτε προσαρμοστικά φως στα γειωμένα ηλεκτρικά εργαλεία. Τα φως που δεν έχουν υποστεί τροποποιήσεις και οι κατάλληλες πρίζες μειώνουν τον κίνδυνο ηλεκτροπληξίας.
- Αποφεύγετε την επαφή του σώματός σας με γειωμένες επιφάνειες όπως σωλήνες, θερμαντικά σώματα (καλοριφέρ), κουζίνες και ψυγεία.** Όταν το σώμα σας είναι γειωμένο, αυξάνεται ο κίνδυνος ηλεκτροπληξίας.
- Μην εκθέτετε το ηλεκτρικό εργαλείο στη βροχή ή την υγρασία.** Η διείσδυση νερού στο ηλεκτρικό εργαλείο αυξάνει τον κίνδυνο ηλεκτροπληξίας.
- Μην κακομεταχειρίζεστε το καλώδιο. Μη**

χρησιμοποιήσετε ποτέ το καλώδιο για να μεταφέρετε, να τραβήξετε ή να αποσυνδέσετε το εργαλείο από την πρίζα. Κρατάτε το καλώδιο μακριά από υψηλές θερμοκρασίες, λάδια, κοφτερές ακμές ή κινούμενα εξαρτήματα. Τυχόν χαλασμένα ή μπερδεμένα καλώδια αυξάνουν τον κίνδυνο ηλεκτροπληξίας.

- Όταν χρησιμοποιείτε το ηλεκτρικό εργαλείο σε εξωτερικούς χώρους, να χρησιμοποιείτε πάντοτε προεκτάσεις (μπαλαντέζες) που έχουν εγκριθεί για χρήση σε εξωτερικούς χώρους.** Η χρήση προεκτάσεων εγκεκριμένων για εργασία σε εξωτερικούς χώρους μειώνει τον κίνδυνο ηλεκτροπληξίας.
- Αν η χρήση του εργαλείου σε μια βρεγμένη περιοχή δεν είναι απόφευκτη, χρησιμοποιήστε μια συσκευή κατάλοιπου ρεύματος (RCD) προστατευόμενη παροχής.** Η χρήση μιας RCD μειώνει τον κίνδυνο ηλεκτροπληξίας.

#### 3. Ασφάλεια προσώπων

- Όταν χρησιμοποιείτε το ηλεκτρικό εργαλείο, να είστε προσεκτικοί, να δίνετε προσοχή στην εργασία που κάνετε και να επιστρατεύετε την κοινή λογική.** Μη χρησιμοποιείτε το ηλεκτρικό εργαλείο όταν είστε κουρασμένοι ή όταν βρίσκεστε υπό την επήρεια ναρκωτικών, οινοπνεύματος ή φαρμάκων. Μια στιγμή αμνηστίας κατά το χειρισμό του ηλεκτρικού εργαλείου μπορεί να οδηγήσει σε σοβαρούς τραυματισμούς.
- Χρησιμοποιήστε προσωπικό εξοπλισμό τραυματισμού. Να φοράτε πάντα προστατευτικά γυαλιά.** Ο προστατευτικός εξοπλισμός όπως μάσκα σκόνης, υποδήματα ασφαλείας κατά το γλιστρήμα, σκληρό καπέλο, ή προστασία ακοής για τις κατάλληλες συνθήκες θα μειώσουν τους σωματικούς τραυματισμούς.
- Να αποφύγετε την εκκίνηση κατά λάθος. Επιβεβαιωθείτε ότι ο διακόπτης είναι στην θέση off πριν συνδέσετε την παροχή ρεύματος και/ή τη μπαταρία, πριν πιάσετε ή μεταφέρετε το εργαλείο.** Η μεταφορά εργαλείων με το δάχτυλο στον διακόπτη ή η ενεργοποίηση εργαλείων με τον διακόπτη στη θέση on μπορεί να οδηγήσει σε ατυχήματα.
- Πριν θέσετε το ηλεκτρικό εργαλείο σε λειτουργία, αφαιρέστε τυχόν εργαλεία ή κλειδιά ρύθμισης.** Ένα εργαλείο ή κλειδί συναρμολογημένο στο περιστρεφόμενο εξάρτημα ενός ηλεκτρικού εργαλείου μπορεί να προκαλέσει τραυματισμούς.
- Μην τεντώνετε. Φροντίστε πάντοτε να έχετε την κατάλληλη στάση και να διατηρείτε την ισορροπία σας.** Αυτό σας επιτρέπει τον καλύτερο έλεγχο του ηλεκτρικού εργαλείου σε περιπτώσεις απροσδόκων καταστάσεων.
- Φοράτε κατάλληλη ενδυμασία εργασίας. Μη φοράτε φαρδιά ρούχα ή κοσμήματα. Κρατάτε τα μαλλιά, τα**



- ενδύματα και τα γάντια σας μακριά από τα κινούμενα εξαρτήματα. Τα φαρδιά ρούχα, τα κοσμήματα και τα μακριά μαλλιά μπορεί να εμπλακούν στα κινούμενα εξαρτήματα.
- g. **Αν προβλέπονται διατάξεις απαγωγής και συλλογής της σκόνης, βεβαιωθείτε ότι είναι συνδεδεμένες και ότι χρησιμοποιούνται σωστά.** Η χρήση της συλλογής της σκόνης μπορεί να μειώσει τους κινδύνους σχετικά με τη σκόνη.
4. **Χρήση και συντήρηση του ηλεκτρικού εργαλείου**
- a. **Μην υπερφορτώνετε το ηλεκτρικό εργαλείο.** Χρησιμοποιείτε για την εκάστοτε εργασία σας το ηλεκτρικό εργαλείο που προορίζεται γι' αυτήν. Με το κατάλληλο ηλεκτρικό εργαλείο εργάζεσθε καλύτερα και ασφαλέστερα στην ονομαστική περιοχή ισχύος του.
- b. **Μη χρησιμοποιήσετε ποτέ ένα ηλεκτρικό εργαλείο του οποίου ο διακόπτης λειτουργίας είναι χαλασμένος.** Ένα ηλεκτρικό εργαλείο του οποίου η λειτουργία δεν μπορεί να ελεγχθεί με το διακόπτη είναι επικίνδυνο και πρέπει να επισκευαστεί.
- c. **Αποσυνδέστε το βύσμα από τη πυγή ρεύματος και/ή το συγκρότημα μπαταρίας πριν κάνετε κάποια ρύθμιση, αλλάζετε τα αξεσουάρ, ή αποθηκεύετε τα ηλεκτρικά εργαλεία.** Αυτά τα προληπτικά μέτρα ασφαλείας μειώνουν τον κίνδυνο να τεθεί το μηχάνημα αθέλητα σε λειτουργία.
- d. **Να φυλάτε τα ηλεκτρικά εργαλεία που δεν χρησιμοποιείτε μακριά από παιδιά.** Μην αφήνετε άτομα που δεν είναι εξοικειωμένα με το ηλεκτρικό εργαλείο ή που δεν έχουν διαβάσει αυτές τις οδηγίες χρήσης να το χρησιμοποιήσουν. Τα ηλεκτρικά εργαλεία είναι επικίνδυνα όταν χρησιμοποιούνται από άπειρα άτομα.
- e. **Να συντηρείτε τα ηλεκτρικά εργαλεία.** Ελέγξτε εάν τα κινούμενα μέρη είναι σωστά ευθυγραμμισμένα ή αν έχουν μπλοκάρει, εάν έχουν σπασίσει κομμάτια και εάν πληρούνται όλες οι υπόλοιπες συνθήκες που ενδεχομένως να επηρεάσουν τη σωστή λειτουργία του εργαλείου. Δώστε τυχόν χαλασμένα εξαρτήματα του ηλεκτρικού εργαλείου για επισκευή πριν το χρησιμοποιήσετε πάλι. Η ανεπαρκής συντήρηση των ηλεκτρικών εργαλείων αποτελεί αιτία πολλών ατυχημάτων.
- f. **Διατηρείτε τα κοπτικά εργαλεία κοφτερά και καθαρά.** Τα κοπτικά εργαλεία με αιχμηρά κοπτικά άκρα που συντηρούνται σωστά έχουν λιγότερες πιθανότητες να μπλοκάρουν και ελέγχονται ευκολότερα.
- g. **Να χρησιμοποιείτε το ηλεκτρικό εργαλείο, τα εξαρτήματα και τις μύτες κλπ σύμφωνα με αυτές τις οδηγίες, λαμβάνοντας υπόψη τις καταστάσεις εργασίας και την εργασία προς εκτέλεση.** Η χρήση του ηλεκτρικού εργαλείου για άλλες εκτός από τις προβλεπόμενες εργασίες μπορεί να δημιουργήσει επικίνδυνες καταστάσεις.
5. **Χρήση και συντήρηση του εργαλείου μπαταρίας**
- a. **Να επαναφορτίσετε τις μπαταρίες μόνο με το φορτιστή που προβλέπει ο κατασκευαστής.** Ένας φορτιστής που είναι κατάλληλος για έναν τύπο μπαταρίας μπορεί να προκαλέσει πυρκαγιά όταν χρησιμοποιηθεί για τη φόρτιση κάποιου άλλου τύπου μπαταρίας.
- b. **Να χρησιμοποιείτε τα ηλεκτρικά εργαλεία μόνο με τις προβλεπόμενες γι' αυτά μπαταρίες.** Η χρήση μπαταριών διαφορετικού τύπου μπορεί να οδηγήσει σε τραυματισμούς ή πυρκαγιά.
- c. **Να φυλάτε τις μπαταρίες που δεν χρησιμοποιείτε μακριά από μεταλλικά αντικείμενα, όπως συνδετήρες χαρτιών, νομίσματα, κλειδιά, καρφιά, βίδες κι άλλα παρόμοια μικροαντικείμενα, τα οποία θα μπορούσαν να γεφυρώσουν τους δυο πόλους.** Τυχόν βραχυκύκλωση των πόλων της μπαταρίας μπορεί να προκαλέσει εγκαύματα ή πυρκαγιά.
- d. **Υπό δυσμενείς συνθήκες λειτουργίας μπορεί να διαρρεύσουν υγρά από τη μπαταρία. Αποφεύγετε κάθε επαφή με μια μη στεγανή μπαταρία. Σε περίπτωση ακούσιας επαφής με τα υγρά, ξεπλύνετε αμέσως με νερό.** Εκτός από αυτό, αν τα υγρά διεισδύσουν στα μάτια σας, επισκεφτείτε χωρίς καθυστέρηση ένα γιατρό. Τα διαρρέοντα υγρά των μπαταριών μπορεί να προκαλέσουν ερεθισμούς ή και εγκαύματα.
6. **Σέρβις**
- a. **Το σέρβις του ηλεκτρικού σας εργαλείου πρέπει να αναλαμβάνει έμπειρος τεχνικός που θα χρησιμοποιεί μόνο γνήσια ανταλλακτικά.** Ετσι εξασφαλίζεται η διατήρηση της ασφάλειας του ηλεκτρικού εργαλείου.



**Προειδοποίηση!** Πρόσθετες προειδοποιήσεις ασφαλείας κατασβιδιών και μπουλονοκλειδών ροπής.

- ◆ **Πιάνετε το μηχάνημα μόνο από τις μονωμένες επιφάνειές του όταν κατά την εργασία σας υπάρχει κίνδυνος ο σφιγκτήρας να "χτυπήσει" ηλεκτρικές γραμμές ή το ηλεκτρικό καλώδιο του ίδιου του μηχανήματος.** Σφιγκτήρες σε επαφή με μια υπό τάση ευρισκόμενη ηλεκτρική γραμμή μπορεί να θέτουν επίσης και τα μεταλλικά τμήματα του μηχανήματος υπό τάση κι έτσι μπορεί να οδηγήσει σε ηλεκτροπληξία.
- ◆ **Να φοράτε υατοσπίδες για τα αυτιά με μπουλονοκλειδών ροπής.** Η έκθεση σε θόρυβο μπορεί να προκαλέσει απώλεια ακοής.
- ◆ **Χρησιμοποιείστε βοηθητικές λαβές που παρέχονται με το εργαλείο.** Η απώλεια ελέγχου μπορεί να προκαλέσει σωματικές βλάβες.

- ◆ **Χρησιμοποιήστε σφινγκήρες ή κάποιο άλλο πρακτικό μέσο για να ασφαλίστε και στηρίξετε το τεμάχιο εργασίας σε μια σταθερή επιφάνεια.** Το κράτημα με το χέρι ή με το σώμα σας το κάνει ασταθές και μπορεί να οδηγήσει στο χάσιμο έλεγχου.
- ◆ Πριν από την οδηγηση συνδετήρων σε τοίχους, δάπεδα ή ορόφους, εντοπίστε τις θέσεις όπου βρίσκονται καλώδια και σωληνώσεις.
- ◆ Αυτό το εργαλείο δεν προσδιορίζεται για χρήση από άτομα (συμπεριλαμβάνοντας και τα παιδιά) με ελαττωμένες φυσικές, αισθητήριες και ψυχικές δυνατότητες, ή έλλειψη εμπειρίας και γνώσης, εκτός αν υπάρχει επιτήρηση ή οδηγίες για τη χρήση της συσκευής από έναν υπεύθυνο άτομο για την ασφάλεια τους. Τα παιδιά πρέπει να επιτηρηθούν για να βεβαιωθείτε ότι δεν παίζουν με τη συσκευή.
- ◆ Η ενδεξιμένη χρησιμοποίηση αναφέρεται σε αυτές τις οδηγίες χρήσεως. Τόσο η χρήση εξαρτημάτων ή προσθηκών όσο και η πραγματοποίηση εργασιών που δεν συνιστώνται στις οδηγίες αυτές εγκυμονεί κίνδυνο τραυματισμού και/ή περιουσίας.

### Ασφάλεια άλλων

- ◆ Αυτή η συσκευή δεν προσδιορίζεται για χρήση από άτομα (συμπεριλαμβάνοντας και τα παιδιά) με ελαττωμένες φυσικές, αισθητήριες και ψυχικές δυνατότητες, ή έλλειψη εμπειρίας και γνώσης, εκτός αν υπάρχει επιτήρηση ή οδηγίες για τη χρήση της συσκευής από έναν υπεύθυνο άτομο για την ασφάλεια τους.
- ◆ Τα παιδιά πρέπει να επιτηρηθούν για να βεβαιωθείτε ότι δεν παίζουν με τη συσκευή.

### Αναπόφευκτοι κίνδυνοι.

Μπορεί να προκληθούν επιπρόσθετοι αναπόφευκτοι κίνδυνοι όταν χρησιμοποιείτε το εργαλείο οι οποίοι μπορεί να μη συμπεριλαμβάνονται στις προειδοποιήσεις ασφαλείας που εσωκλείονται. Αυτοί οι κίνδυνοι μπορεί να προκληθούν από κακή χρήση, παρατεταμένη χρήση κτλ.

Ακόμα και με την τήρηση των σχετικών κανονισμών ασφαλείας και τη χρήση μέσων προστασίας, ορισμένοι κίνδυνοι δεν είναι δυνατόν να εξαλειφθούν. Αυτοί περιλαμβάνουν:

- ◆ Τραυματισμούς από το άγγιγμα των περιστρεφόμενων/κινούμενων μερών.
- ◆ Τραυματισμούς από αλλαγή οποιωνδήποτε εξαρτημάτων, λεπίδων ή αξεσουάρ.
- ◆ Τραυματισμούς από παρατεταμένη χρήση του εργαλείου. Όταν χρησιμοποιείτε οποιοδήποτε εργαλείο για παρατεταμένες χρονικές περιόδους βεβαιωθείτε ότι κάνετε τακτικά διαλείμματα.
- ◆ Προβλήματα ακοής.
- ◆ Κίνδυνοι στην υγεία που προκαλούνται από την εισπνοή σκόνης όταν χρησιμοποιείτε το εργαλείο (παράδειγμα:- όταν επεξεργάζεστε ξύλο, ειδικά δρυς, οξιά και MDF.)

### Δόνηση

Οι δηλωμένες τιμές εκπομπής δόνησης στον τομέα τεχνικών χαρακτηριστικών και στη δήλωση συμμόρφωσης έχουν μετρηθεί σύμφωνα με μια πρότυπη μέθοδος δοκιμής παρεχόμενη από το EN 60745 και μπορεί να χρησιμοποιηθεί για την σύγκριση ενός εργαλείου με ένα άλλο. Η δηλωμένη τιμή εκπομπής δόνησης μπορεί να χρησιμοποιηθεί επίσης σε μια προκαταρκτική εκτίμηση έκθεσης.

**Προσοχή!** Η τιμή εκπομπής δόνησης κατά τη παρόν χρήση του ηλεκτρικού εργαλείου μπορεί να διαφέρει από τη δηλωμένη τιμή αναλόγως με τον τρόπο που χρησιμοποιείται το εργαλείο. Το επίπεδο δόνησης μπορεί να αυξηθεί πάνω από το δηλωμένο επίπεδο.

Κατά την εκτίμηση έκθεσης στη δόνηση για να αποφασιστούν τα μέτρα ασφαλείας που απαιτούνται από το 2002/44/EK για την προστασία ατόμων που χρησιμοποιούν τακτικά το εργαλείο, πρέπει να ληφθεί υπόψη μια εκτίμηση έκθεσης δόνησης, οι παρόν καταστάσεις χρήσης και ο τρόπος χρήσης εργαλείου, συμπεριλαμβάνοντας όλα τα μερί του κύκλου εργασίας όπως πόσες φορές σβήνεται το εργαλείο και όταν δουλεύει χωρίς φορτίο πρόσθετα πόσες φορές πατιέται η σκανδάλη.

### Ετικέτες επάνω στο εργαλείο

Πάνω στο εργαλείο υπάρχουν οι εξής σχηματικές απεικονίσεις:



**Προσοχή!** Για να μειώσετε τον κίνδυνο τραυματισμού, ο χρήστης πρέπει να διαβάσει το εγχειρίδιο οδηγιών.

### Επιπρόσθετες οδηγίες ασφαλείας για μπαταρίες και φορτιστές

#### Μπαταρίες

- ◆ Μην επιχειρήσετε ποτέ να την ανοίξετε, για κανένα λόγο.
- ◆ Μην εκθέτετε την μπαταρία σε νερό.
- ◆ Μην εκθέτετε την μπαταρία σε θερμότητα.
- ◆ Μην την αποθηκεύετε σε χώρους όπου η θερμοκρασία μπορεί να υπερβεί τους 40 °C.
- ◆ Να τη φορτίζετε μόνο σε θερμοκρασία περιβάλλοντος μεταξύ 10 °C και 40 °C.
- ◆ Η φόρτιση πρέπει να γίνεται μόνο με το φορτιστή που παρέχεται με το εργαλείο.
- ◆ Σε ό,τι αφορά την απόρριψη των μπαταριών, ακολουθήστε τις οδηγίες που παρατίθενται στην ενότητα "Διάθεση εργαλείων και περιβάλλον".
- ◆ Μην προκαλείτε ζημιές ή παραμορφώσεις στη μπαταρία, τρυπώντας ή χτυπώντας τη, καθώς οι ενέργειες αυτές εγκυμονούν κίνδυνο τραυματισμού ή πυρκαγιάς.
- ◆ Μη φορτίζετε φθαρμένες μπαταρίες.

- ◆ Σε περίπτωση έκθεσης σε ακραίες συνθήκες, η μπαταρία ενδέχεται να παρουσιάσει διαρροή. Όταν προσέχετε υγρά στις μπαταρίες, σκουπίστε με προσοχή το υγρό χρησιμοποιώντας ένα πανί. Αποφύγετε την επαφή με το δέρμα.
- ◆ Σε περίπτωση επαφής με το δέρμα ή τα μάτια, ακολουθήστε τις παρακάτω οδηγίες.

**Προειδοποίηση!** Το υγρό μπαταριών μπορεί να προκαλέσει σωματικές βλάβες ή καταστροφή περιουσίας. Σε περίπτωση δερματικής επαφής, ξεπλύνετε αμέσως με νερό. Εάν υπάρχει ερυθρότητα, πόνος ή ερεθισμός αναζητήστε ιατρική βοήθεια. Σε περίπτωση επαφής με τα μάτια, ξεπλύνετε αμέσως με καθαρό νερό και αναζητήστε ιατρική βοήθεια.

### Φορτιστές

Ο φορτιστής σας έχει σχεδιαστεί για συγκεκριμένες τάσεις. Ελέγχετε πάντα αν η τάση τροφοδοσίας αντιστοιχεί σε αυτήν που αναγράφεται στην πινακίδα χαρακτηριστικών.

**Προειδοποίηση!** Ποτέ μην επιχειρήσετε να υποκαταστήσετε το φορτιστή με κοινή πρίζα ρεύματος.

- ◆ Χρησιμοποιήστε μόνο το φορτιστή της Black & Decker για τη φόρτιση μπαταριών του τύπου που συνοδεύει το εργαλείο σας. Σε άλλες μπαταρίες ενδέχεται να σημειωθεί διάρρηξη, προκαλώντας τραυματισμό και ζημιά.
- ◆ Μην επιχειρήσετε ποτέ να επαναφορτίσετε μη επαναφορτιζόμενες μπαταρίες.
- ◆ Αν το καλώδιο ρεύματος έχει υποστεί βλάβη, πρέπει να αντικατασταθεί από τον κατασκευαστή ή από εξουσιοδοτημένο Κέντρο Επισκευών Black & Decker ώστε να αποφεύγετε τους κινδύνους.
- ◆ Αντικαστήστε αμέσως τα ελαττωματικά καλώδια.
- ◆ Μην εκθέτετε το φορτιστή σε νερό.
- ◆ Μην ανοίγετε το φορτιστή.
- ◆ Μην επιχειρήσετε να διερευνήσετε το εσωτερικό του φορτιστή.
- ◆ Η συσκευή/εργαλείο/μπαταρία πρέπει να τοποθετηθεί σε μια καλά αερισμένη περιοχή όταν φορτώνει.



Ο φορτιστής προορίζεται μόνο για χρήση σε εσωτερικούς χώρους.



Διαβάστε τον εγχειρίδιο οδηγιών πριν τη χρήση.



Μετασχηματιστής απομόνωσης ασφαλούς λειτουργίας. Η παροχή ρεύματος είναι ηλεκτρικά διαχωρισμένη από την έξοδο του μετασχηματιστή.



130°C Η τροφοδοσία του φορτιστή διακόπεται αυτόματα εάν η θερμοκρασία του περιβάλλοντος γίνει πολύ υψηλή. Ος συνείπεια ο φορτιστής δεν θα είναι λειτουργήσιμος. Η μονάδα πρέπει να αποσυνδεθεί από την κεντρική παροχή ρεύματος και να αποσταλεί σε ένα εξουσιοδοτημένο κέντρο επισκευής για επισκευή.

### Ασφαλής χρήση του ηλεκτρικού ρεύματος



Ο φορτιστής σας φέρει διπλή μόνωση, επομένως δεν απαιτείται σύρμα γείωσης. Ελέγχετε πάντα αν η τάση τροφοδοσίας αντιστοιχεί σε αυτήν που αναγράφεται στην πινακίδα χαρακτηριστικών.

- ◆ Αν το καλώδιο ρεύματος έχει υποστεί βλάβη, πρέπει να αντικατασταθεί από τον κατασκευαστή ή από εξουσιοδοτημένο Κέντρο Επισκευών Black & Decker ώστε να αποφεύγετε τους κινδύνους.
- ◆ **Προειδοποίηση!** Ποτέ μην επιχειρήσετε να υποκαταστήσετε το φορτιστή με κοινή πρίζα ρεύματος.

### Χαρακτηριστικά

1. Διακόπτης on/off
2. Συρόμενος διακόπτης εμπρός/πίσω
3. Υποδοχή συγκράτησης μύτης
4. Λυχνία LED

### Εικ. Α

5. Φορτιστής
6. Βύσμα φορτιστή

### Συναρμολόγηση

#### Τοποθέτηση και αφαίρεση τρυπανιού ή μύτης κατασαβιδιού (εικ. Β)

Το εργαλείο χρησιμοποιεί μύτες κατασαβιδιού και τρυπάνια με εξαγωνικό στέλεχος 6,35 mm (1/4").

- ◆ Για να τοποθετήσετε μια μύτη, εισάγετε το κορμό της μύτης στο στήριγμα μύτης (3).
- ◆ Για να αφαιρέσετε μια μύτη, τραβήξτε έξω το κορμό από το στήριγμα μύτης (3).

### Χρήση

**Προειδοποίηση!** Αφήστε το εργαλείο να λειτουργήσει με το δικό του ρυθμό. Μην το υπερφορτώνετε.

- ◆ Πριν από την πρώτη χρήση, η μπαταρία θα πρέπει να φορτιστεί επί τουλάχιστον 9 ώρες.

#### Φόρτιση μπαταρίας (εικ. C)

- ◆ Εισαγάγετε το βύσμα του φορτιστή (6) στο ακροδέκτη σύνδεσης (7).
- ◆ Συνδέστε το φορτιστή (5) στην πρίζα.
- ◆ Αφήστε το εργαλείο συνδεδεμένο στο φορτιστή για 12 ώρες. Ο φορτιστής μπορεί να βουίζει και να ζεσταθεί κατά τη φόρτιση. Αυτό είναι φυσιολογικό και δεν είναι ενδεικτικό κάποιου προβλήματος.

**Προειδοποίηση!** Μην φορτίζετε τη μπαταρία σε θερμοκρασίες περιβάλλοντος κάτω από 10 °C ή πάνω από 40 °C.

## Επιλογή της κατεύθυνσης περιστροφής (εικ. D)

Για διάτρηση και για τη σύσφιξη βιδών, χρησιμοποιείτε την περιστροφή προς τα εμπρός. Για το ξεβίδωμα των βιδών ή για να αφαιρέσετε τρυπάνι που έχει κολλήσει, χρησιμοποιείτε την ανάποδη περιστροφή.

- ◆ Για να επιλέξετε την περιστροφή προς τα εμπρός, πιάστε μπροστά το συρόμενο διακόπτη εμπρός / πίσω (2).
- ◆ Για να επιλέξετε την περιστροφή προς τα πίσω, πιάστε προς τα πίσω το συρόμενο διακόπτη εμπρός / πίσω (2).
- ◆ Για να ασφαλίσετε το εργαλείο, τοποθετήστε το συρόμενο διακόπτη εμπρός / πίσω στη μεσαία θέση.

## Διάτρηση/βίδωμα

- ◆ Επιλέξτε την περιστροφή εμπρός ή πίσω χρησιμοποιώντας το συρόμενο διακόπτη εμπρός / πίσω (2).
- ◆ Για να θέσετε σε λειτουργία το εργαλείο, πατήστε το διακόπτη on/off (1).
- ◆ Για να σβήσετε το εργαλείο, αφήστε το διακόπτη on/off (1).

## Λυχνία LED

Η λυχνία LED (4) ενεργοποιείται αυτόματα όταν η σκανδάλη πατιέται. Η λυχνία θα ανάβει επίσης όταν η σκανδάλη είναι πατημένη και ο συρόμενος διακόπτης εμπρός / πίσω (2) είναι στη κλειδωμένη θέση (κεντρική θέση).

## Συμβουλές για άριστη χρήση

### Βίδωμα

- ◆ Να χρησιμοποιείτε πάντα τον κατάλληλο τύπο και μέγεθος μύτες κατσαβιδιού.
- ◆ Αν το σφίξιμο των βιδών παρουσιάζει δυσκολία, απλώστε μικρή ποσότητα υγρού απορρυπαντικού ή σαπουνιού σαν λιπαντικό.
- ◆ Χρησιμοποιήστε την ασφάλεια της ατράκτου για να χαλαρώσετε πολύ σφικτές βίδες ή να σφίξετε καλά βίδες.
- ◆ Το εργαλείο και η μύτη του κατσαβιδιού πρέπει να κρατιούνται πάντα στην ίδια ευθεία με τη βίδα.
- ◆ Όταν βιδώνετε σε ξύλο, συνιστάται να ανοίγετε πρώτα μια τρύπα-οδηγό με το ίδιο βάθος με το μήκος της βίδας. Η τρύπα-οδηγός καθοδηγεί τη βίδα και προλαμβάνει το σκίσιμο ή την παραμόρφωση του ξύλου. Για το κατάλληλο μέγεθος της τρύπας-οδηγού, ανατρέξτε στον πίνακα που ακολουθεί.
- ◆ Όταν βιδώνετε σε σκληρό ξύλο, ανοίγετε επίσης μια τρύπα για διάκενο με βάθος ίσο με το μισό μήκος της βίδας. Για το κατάλληλο μέγεθος της τρύπας για διάκενο, ανατρέξτε στον πίνακα που ακολουθεί.

Μέγεθος βίδας	Ø τρύπας-οδηγού (μαλακό ξύλο)	Ø τρύπας-οδηγού (σκληρό ξύλο)	Τρύπα για διάκενο
Αρ. 6 (3,5 mm)	2,0 mm	2,5 mm	3,6 mm
Αρ. 8 (4 mm)	2,5 mm	3,0 mm	4,5 mm
Αρ. 10 (5 mm)	3,0 mm	3,5 mm	5,0 mm

## Διάτρηση

- ◆ Να ασκείτε πάντα μια ελαφρά πίεση στην ίδια ευθεία με το τρυπάνι.
- ◆ Μόλις πριν το τρυπάνι βγει από την άλλη πλευρά του τεμαχίου εργασίας, ελαπώστε την ασκούμενη πίεση στο εργαλείο.
- ◆ Χρησιμοποιήστε ένα κομμάτι ξύλο για να στηρίξετε τα τεμάχια εργασίας, των οποίων το υλικό ενδέχεται να εμφανίσει ρωγμές κατά το τρύπημα.
- ◆ Δημιουργήστε μια μικρή εγκοπή με μία πόντα στο κέντρο της οπής που θα τρυπηθεί προκειμένου να τρυπήσετε με μεγαλύτερη ακρίβεια.

## Εξαρτήματα

Η απόδοση του εργαλείου σας εξαρτάται από τα εξαρτήματα που χρησιμοποιείτε. Τα εξαρτήματα Black & Decker και Piranha είναι σχεδιασμένα σύμφωνα με πρότυπα υψηλής ποιότητας για να βελτιώνουν την απόδοση του εργαλείου σας. Χρησιμοποιώντας τα θα επιτύχετε τη βέλτιστη απόδοση του εργαλείου.

Το εργαλείο χρησιμοποιεί μύτες κατσαβιδιού με εξαγωνικό στέλεχος 6,35 mm (1/4"). Τα εξαρτήματα Piranha Super-Iok είναι σχεδιασμένα για χρήση με το εργαλείο αυτό.

## Συντήρηση

Αυτό το εργαλείο/συσκευή της Black & Decker με καλώδιο/ ασύρματο έχει σχεδιαστεί έτσι ώστε να λειτουργεί για μεγάλο χρονικό διάστημα με την ελάχιστη δυνατή φροντίδα. Η αδιάλειπτη και κανονική λειτουργία του εργαλείου εξαρτάται από τη φροντίδα και τον τακτικό καθαρισμό. Ο φορτιστής σας δεν απαιτεί καμία συντήρηση εκτός από τον τακτικό καθαρισμό του.

**Προειδοποίηση!** Πριν εκτελέσετε οποιοδήποτε συντήρηση στο εργαλείο, σβήστε το και βγάλτε το εργαλείο ή αφαιρέστε τη μπαταρία από το εργαλείο αν το εργαλείο έχει ξεχωριστή μπαταρία. Εάν η μπαταρία είναι ενσωματωμένη, αδειάστε την εντελώς. Βγάλτε τον φορτιστή από την πρίζα πριν τον καθαρίσετε.

- ◆ Καθαρίζετε τακτικά τις οπές εξερισμού του εργαλείου σας και του φορτιστή με μαλακή βούρτσα ή με στεγνό πανί.
- ◆ Να καθαρίζετε τακτικά το περιβλημά του μοτέρ χρησιμοποιώντας ένα υγρό πανί. Μη χρησιμοποιείτε αποξεστικά καθαριστικά ή υγρά καθαρισμού που περιέχουν διαλύτες.
- ◆ Να ανοίγετε τακτικά το τσοκ και να το αδειάζετε, προκειμένου να αφαιρείται η σκόνη από το εσωτερικό του (όταν υπάρχει).

## Διάθεση εργαλείων και περιβάλλον



Ξεχωριστή συλλογή. Αυτό το προϊόν δεν πρέπει να απορριφθεί με συνηθισμένα σπιτικά απορρίμματα.

Εάν κάποια μέρα διαπιστώσετε ότι το προϊόν σας Black & Decker χρειάζεται αντικατάσταση ή δεν σας χρησιμεύει πλέον, μην το απορρίψετε με τα σπιτικά απορρίμματα. Κάντε αυτό το προϊόν διαθέσιμο για ξεχωριστή συλλογή.



Η ξεχωριστή συλλογή χρησιμοποιημένων προϊόντων και συσκευασιών επιτρέπει την ανακύκλωση υλικών. Η επανάχρηση ανακυκλωμένων υλικών βοηθάει την προστασία του περιβάλλον και μειώνει την ζήτηση για σπάνια υλικά.

Οι τοπικοί κανονισμοί μπορεί να παρέχουν ξεχωριστή συλλογή ηλεκτρικών προϊόντων από κατοικίες, δημοτικές τοποθεσίες απορριμμάτων ή από τον έμπορο όταν αγοράσατε το καινούργιο προϊόν.

Η Black & Decker δίνει τη δυνατότητα συλλογής και ανακύκλωσης των προϊόντων της που έχουν συμπληρώσει τη διάρκεια ζωής τους. Αν θέλετε να χρησιμοποιήσετε την εν λόγω υπηρεσία, επιστρέψτε το προϊόν σας σε οποιοδήποτε εξουσιοδοτημένο κέντρο επισκευών, όπου θα το παραλάβουν εκ μέρους σας.

Ενημερωθείτε για το πλησιέστερο κέντρο επισκευών της περιοχής σας, επικοινωνώντας με τα γραφεία της Black & Decker στη διεύθυνση που αναγράφεται στο εγχειρίδιο. Επίσης, για να πληροφορηθείτε τα εξουσιοδοτημένα κέντρα επισκευών της Black & Decker και τις λεπτομέρειες και τους αρμόδιους των υπηρεσιών που παρέχονται μετά την πώληση, μπορείτε ανατρέξτε στο Διαδίκτυο στη διεύθυνση: [www.2helpU.com](http://www.2helpU.com)

## Μπαταρίες



Όταν πλέον δεν μπορούν να ξαναχρησιμοποιηθούν, απορρίψτε τις με τρόπο κατάλληλο για το περιβάλλον:

- ◆ Μη βραχυκυκλώνετε τους πόλους της μπαταρίας.
- ◆ Μην πετάτε τη μπαταρία σε φωτιά λόγω του ότι μπορεί να φέρει σωματικό τραυματισμό ή μια έκρηξη.
- ◆ Εξαντήστε πλήρως τη μπαταρία και μετά αφαιρέστε την από το εργαλείο.
- ◆ Οι μπαταρίες είναι ανακυκλώσιμες. Συσκευάστε τη μπαταρία κατάλληλα, ώστε να εξαλείψετε το ενδεχόμενο βραχυκύκλωσης των πόλων. Στείλτε τις σε κάποιο εξουσιοδοτημένο κέντρο επισκευών ή στον τοπικό σταθμό ανακύκλωσης.

## Τεχνικά χαρακτηριστικά

	KC460LN (H1)
Τάση	V <sub>DC</sub> 3,6
Ταχύτητα άφορτου κίνησης	min <sup>-1</sup> 180
Περιστροφή σκληρού σαματημού	Nm 7,7
Μέγ. ροπή	Nm 3,2
Υποδοχή συγκράτησης μύτες	mm 6,35 (1/4")
Βάρος	kg 0,4

## Μπαταρία

Τάση	V 3,6
Τύπος μπαταρίας	Li-Ion
Χωρητικότητα	Ah 1,1

## Φορτιστής 905450XX

Τάση δικτύου	V <sub>AC</sub> 230
Τάση εξόδου	V <sub>DC</sub> 9
Αμπεράζ	mA 100
Χρόνος φόρτισης κατά προσέγγιση	h 12
Βάρος	kg 0,4

Στάθμη πίεσης ήχου σύμφωνα με το πρότυπο EN 60745:  
Πίεση ήχου (L<sub>PA</sub>) 58,9 dB(A), αβεβαιότητα (K) 3 dB(A)  
Ακουστική ισχύς (L<sub>WA</sub>) 69,9 dB(A), αβεβαιότητα (K) 3 dB(A)

Τιμές συνολικής δόνησης (άθροισμα τριαξονικών ανυσμάτων) αποφασισμένο σύμφωνα με EN 60745:  
Διάρθρωση κρούσης σε μέταλλο (a<sub>h,D</sub>) 0,979 m/s<sup>2</sup>,  
αβεβαιότητα (K) 1,5 m/s<sup>2</sup>

Βίδωμα χωρίς κρούση (a<sub>h,S</sub>) 0,247 m/s<sup>2</sup>, αβεβαιότητα (K) 1,5 m/s<sup>2</sup>

## Δήλωση συμμόρφωσης με την Ευρωπαϊκή Κοινότητα

ΟΔΗΓΙΑ ΠΕΡΙ ΜΗΧΑΝΗΜΑΤΩΝ



KC460LN

Η Black & Decker δηλώνει ότι αυτά τα προϊόντα που περιγράφονται στον τομέα "τεχνικά χαρακτηριστικά" είναι σε συμμόρφωση με:

2006/42/ΕΚ, EN 60745-1, EN 60745-2-2

Για περισσότερες πληροφορίες, επικοινωνήστε με τη Black & Decker στη διεύθυνση που ακολουθεί ή στο πίσω μέρος του εγχειριδίου.

Ο υπογεγραμμένος είναι υπεύθυνος για τη σύνταξη του τεχνικού αρχείου και κάνει την παρών δήλωση εκ μέρους της Black & Decker.

Kevin Hewitt  
Vice-President Global Engineering  
Black & Decker Europe, 210 Bath Road, Slough,  
Berkshire, SL1 3YD  
Ηνωμένο Βασίλειο  
23/02/2010

## Εγγύηση

Η Black & Decker είναι σίγουρη για την ποιότητα των προϊόντων της και παρέχει σημαντική εγγύηση. Η παρούσα γραπτή εγγύηση αποτελεί πρόσθετο δικαίωμά σας και δεν ζημιώνει τα συνταγματικά σας δικαιώματα. Η εγγύηση ισχύει εντός της επικράτειας των Κρατών Μελών της Ευρωπαϊκής Ένωσης και της Ευρωπαϊκής Ζώνης Ελευθέρων Συναλλαγών.

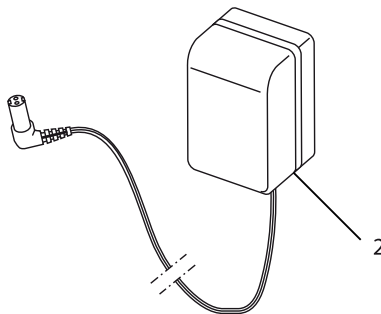
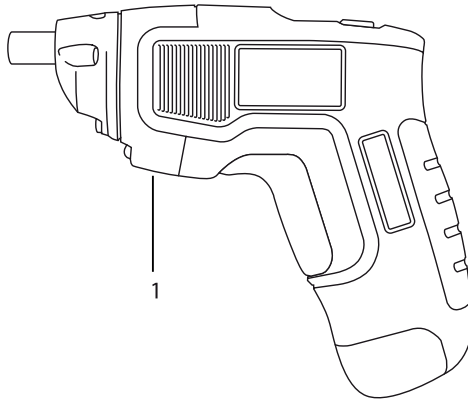
Σε περίπτωση που κάποιο προϊόν της Black & Decker παρουσιάσει βλάβη εξαιτίας ελαττωματικών υλικών, ποιότητας εργασίας ή έλλειψης συμφωνίας με τις προδιαγραφές εντός 24 μηνών από την ημερομηνία αγοράς, η Black & Decker εγγυάται την αντικατάσταση των ελαττωματικών τμημάτων, την επισκευή προϊόντων που έχουν υποστεί εύλογη φθορά λόγω χρήσης ή την αντικατάσταση των προϊόντων προκειμένου να εξασφαλίσει την ελάχιστη ενόχληση στους πελάτες της, εκτός αν:

- ◆ Το προϊόν έχει χρησιμοποιηθεί σε εργασιακό, επαγγελματικό περιβάλλον ή αν έχει ενοικιαστεί
- ◆ Έχει γίνει εσφαλμένη χρήση του προϊόντος ή αν έχει παραμεληθεί
- ◆ Το προϊόν έχει υποστεί βλάβη από άλλα αντικείμενα, από ουσίες ή λόγω ατυχήματος
- ◆ Έχει γίνει προσπάθεια επισκευής από μη εξουσιοδοτημένα κέντρα επισκευών ή από προσωπικό που δεν ανήκει στο προσωπικό της Black & Decker

Για να ισχύσει η εγγύηση, πρέπει να υποβάλετε απόδειξη αγοράς στον πωλητή ή το εξουσιοδοτημένο κέντρο επισκευών. Ενημερωθείτε για το πλησιέστερο κέντρο επισκευών της περιοχής σας, επικοινωνώντας με τα γραφεία της Black & Decker στη διεύθυνση που αναγράφεται στο εγχειρίδιο. Επίσης, για να πληροφορηθείτε για τα εξουσιοδοτημένα κέντρα επισκευών της Black & Decker, τις λεπτομέρειες και τους αρμόδιους των υπηρεσιών που παρέχονται μετά την πώληση, μπορείτε να ανατρέξετε στο Διαδίκτυο στη διεύθυνση: [www.2helpU.com](http://www.2helpU.com)

Παρακαλούμε να επισκεφτείτε την ιστοσελίδα μας [www.blackanddecker.eu](http://www.blackanddecker.eu) για να καταχωρήσετε το νέο σας προϊόν Black & Decker και για να ενημερώνεστε για τα νέα προϊόντα και τις ειδικές προσφορές. Περισσότερες πληροφορίες σχετικά με τη μάρκα Black & Decker και τη σειρά προϊόντων μας θα βρείτε στη διεύθυνση [www.blackanddecker.eu](http://www.blackanddecker.eu)

Partial support - Only parts shown available  
Nur die aufgeführten teile sind lieferbar  
Réparation partielle - Seules les pièces indiquées sont disponibles  
Supporto parziale - Sono disponibili soltanto le parti evidenziate  
Solo estan disponibles las piezas listadas  
So se encontram disponíveis as peças listadas  
Gedeeltelijke ondersteuning - alleen de getoonde onderdelen  
zijn beschikbaar









ENGLISH

**Do not forget to register your product!**

[www.blackanddecker.co.uk/productregistration](http://www.blackanddecker.co.uk/productregistration)

Register your product online at [www.blackanddecker.co.uk/productregistration](http://www.blackanddecker.co.uk/productregistration) or send your name, surname and product code to Black & Decker in your country.

DEUTSCH

**Vergessen Sie nicht, Ihr Produkt registrieren zu lassen!**

[www.blackanddecker.de/productregistration](http://www.blackanddecker.de/productregistration)

Lassen Sie Ihr Produkt unter [www.blackanddecker.de/productregistration](http://www.blackanddecker.de/productregistration) online registrieren oder schicken Sie Ihren Nachnamen, Vornamen und den Produktcode an Black & Decker in Ihrem Land.

FRANÇAIS

**N'oubliez pas d'enregistrer votre produit !**

[www.blackanddecker.fr/productregistration](http://www.blackanddecker.fr/productregistration)

Enregistrez votre produit en ligne sur [www.blackanddecker.fr/productregistration](http://www.blackanddecker.fr/productregistration) ou envoyez vos nom, prénom et code produit à Black & Decker dans votre pays.

ITALIANO

**Non dimenticate di registrare il prodotto!**

[www.blackanddecker.it/productregistration](http://www.blackanddecker.it/productregistration)

Registrate il prodotto online su [www.blackanddecker.it/productregistration](http://www.blackanddecker.it/productregistration) o inviate nome, cognome e codice del prodotto al centro Black & Decker del vostro paese.

NEDERLANDS

**Vergeet niet uw product te registreren!**

[www.blackanddecker.nl/productregistration](http://www.blackanddecker.nl/productregistration)

U kunt uw product online registreren op [www.blackanddecker.nl/productregistration](http://www.blackanddecker.nl/productregistration) of u kunt uw voornaam, achternaam en productcode opsturen naar Black & Decker in uw land.

ESPAÑOL

**¡No olvide registrar su producto!**

[www.blackanddecker.es/productregistration](http://www.blackanddecker.es/productregistration)

Registre su producto on-line en [www.blackanddecker.es/productregistration](http://www.blackanddecker.es/productregistration) o envíe su nombre, apellidos y código de producto a Black & Decker en su país.

PORTUGUÉS

**Não se esqueça de registar o seu produto!**

[www.blackanddecker.pt/productregistration](http://www.blackanddecker.pt/productregistration)

Registe o seu produto online em [www.blackanddecker.pt/productregistration](http://www.blackanddecker.pt/productregistration) ou envie o seu nome, apelido e código do produto para a Black & Decker no seu país.

SVENSKA

**Glöm inte att registrera produkten!**

[www.blackanddecker.se/productregistration](http://www.blackanddecker.se/productregistration)

Registrera produkten online på [www.blackanddecker.se/productregistration](http://www.blackanddecker.se/productregistration) eller skicka namn och produktkod till Black & Decker i landet du bor i.

NORSK

**Ikke glem å registrere produktet ditt!**

[www.blackanddecker.no/productregistration](http://www.blackanddecker.no/productregistration)

Registrer produktet ditt online på [www.blackanddecker.no/productregistration](http://www.blackanddecker.no/productregistration), eller send ditt navn, etternavn og produktkode til Black & Decker i ditt eget land.

DANSK

**Glem ikke at registrere dit produkt!**

[www.blackanddecker.dk/productregistration](http://www.blackanddecker.dk/productregistration)

Registrer dit produkt på internettet på: [www.blackanddecker.dk/productregistration](http://www.blackanddecker.dk/productregistration) eller send dit navn, efternavn og produktkode til Black & Decker i dit eget land.

SUOMI

**Muistathan rekisteröidä tuotteesi!**

[www.blackanddecker.fi/productregistration](http://www.blackanddecker.fi/productregistration)

Rekisteröi tuotteesi verkossa osoitteessa [www.blackanddecker.fi/productregistration](http://www.blackanddecker.fi/productregistration) tai lähetä etunimesi, sukunimesi ja tuotekoodi oman maasi Black & Decker -edustajalle.

ΕΛΛΗΝΙΚΑ

**Μην ξεχάσετε να καταχωρίσετε το προϊόν σας!**

[www.blackanddecker.gr/productregistration](http://www.blackanddecker.gr/productregistration)

Καταχωρίστε το προϊόν σας σε σύνδεση στη σελίδα [www.blackanddecker.gr/productregistration](http://www.blackanddecker.gr/productregistration) ή στείλτε το όνομα, επίθετό σας και τον κωδικό προιοντός στη Black & Decker στη χώρα σας.

België/Belgique	Black & Decker (Belgium) N.V. Nieuwlandlaan 7 I.Z. Aarschot B156 3200 Aarschot	Tel. Fax	016 68 91 00 016 68 91 11
Danmark	Black & Decker Sluseholmen 2-4, 2450 København SV Internet: <a href="http://www.blackanddecker.dk">www.blackanddecker.dk</a>	Tel. Fax	70 20 15 10 70 22 49 10
Deutschland	Black & Decker GmbH Black & Decker Str. 40, D - 65510 Idstein	Tel. Fax	06126/21 - 0 06126/21 29 80
Ελλάδα	Black & Decker (Ελλάς) Α.Ε. Σπράβωνος 7 & Λεωφ. Βουλιαγμένης 159 166 74 Γλυφάδα - Αθήνα	Τηλ. Φαξ <a href="http://www.blackanddecker.eu">www.blackanddecker.eu</a>	210 8981616 210 8983285
España	Black & Decker Ibérica, S.C.A. Parc de Negocis "Mas Blau" Edificio Muntadas, c/Bergadá, 1, Of. A6 08820 El Prat de Llobregat (Barcelona)	Tel. Fax	934 797 400 934 797 419
France	Black & Decker (France) S.A.S. 5 allée des Hêtres B.P. 30084 69579 Limonest Cédex	Tel. Fax	04 72 20 39 20 04 72 20 39 00
Helvetia	ROFO AG Gewerbezone Seeblick 3213 Kleinbödingen	Tel. Fax	026-6749391 026-6749394
Italia	Black & Decker Italia SpA Viale Elvezia 2 20052 Monza (MI)	Tel. Fax Numero verde	039-23871 039-2387592/2387594 800-213935
Nederland	Black & Decker Benelux Joulehof 12, 4622 RG Bergen op Zoom	Tel. Fax	0164 - 283000 0164 - 283100
Norge	Black & Decker (Norge) A/S Postboks 4814, Nydalen, 0422 Oslo Internet: <a href="http://www.blackanddecker.no">www.blackanddecker.no</a>	Tlf. Fax	22 90 99 00 22 90 99 01
Österreich	Black & Decker Vertriebsges.m.b.H Oberlaaerstraße 246, A1100 Wien	Tel. Fax	01 66116-0 01 66116-14
Portugal	Black & Decker Rua Egas Moniz 173 S. João do Estoril 2766-651 Estoril	Tel. Fax	214667500 214667580
Suomi	Black & Decker Oy Keilasatama 3, 02150 Espoo Black & Decker Oy, Kägelhamnen 3, 02150 Esbo	Puh. Faksi Tel. Fax	010 400 430 (09) 2510 7100 010 400 430 (09) 2510 7100
Sverige	Black & Decker AB Box 94, 431 22 Mölndal	Tel. Fax	031-68 60 60 031-68 60 80
United Kingdom	Black & Decker 210 Bath Road Slough, Berkshire SL1 3YD	Tel. Fax Helpline	01753 511234 01753 551155 01753 574277
Middle East & Africa	Black & Decker (Overseas) A.G. PB 5420, Dubai, United Arab Emirates	Tel. Fax	+971 4 2826464 +971 4 2826466