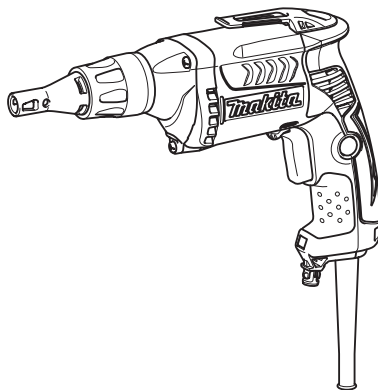




|    |  |                               |    |
|----|--|-------------------------------|----|
| EN | Drywall Screwdriver                          | INSTRUCTION MANUAL            | 5  |
| RU | Шуруповерт для гипсокартона                  | РУКОВОДСТВО ПО ЭКСПЛУАТАЦИИ   | 10 |
| KK | Гипсокартонға арналған бұрама шегені бұрағыш | ПАЙДАЛАНУ ЖӨНІНДЕГІ НҰСҚАУЛЫҚ | 16 |

**FS4000**  
**FS4000X**  
**FS4200**  
**FS4300**  
**FS4300X**  
**FS6200**  
**FS6300**  
**FS6300R**  
**FS6300X**



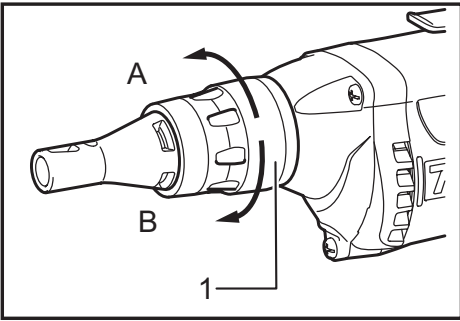


Fig.1

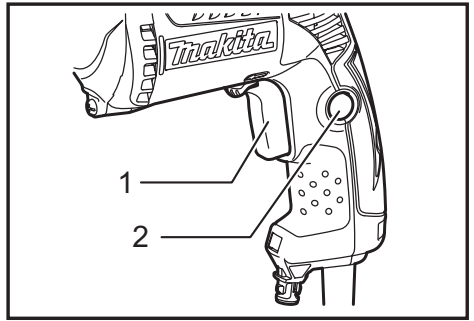


Fig.5

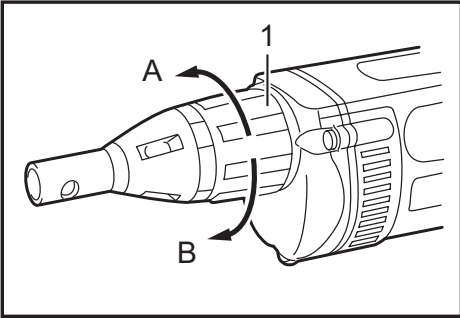


Fig.2

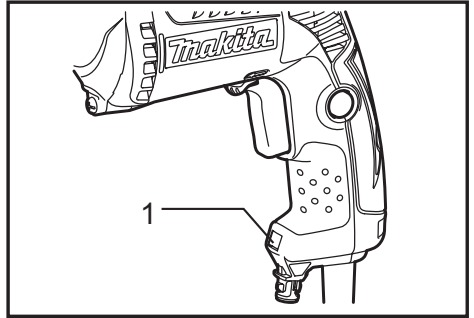


Fig.6

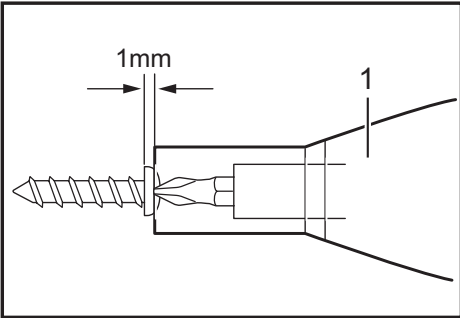


Fig.3

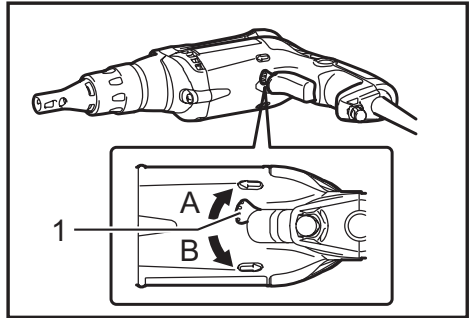


Fig.7

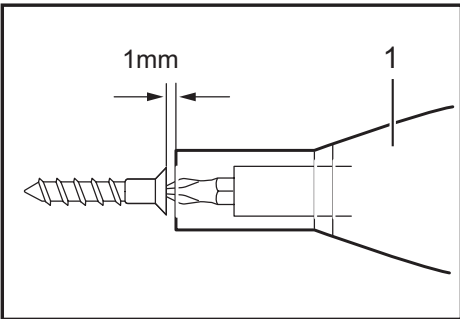


Fig.4

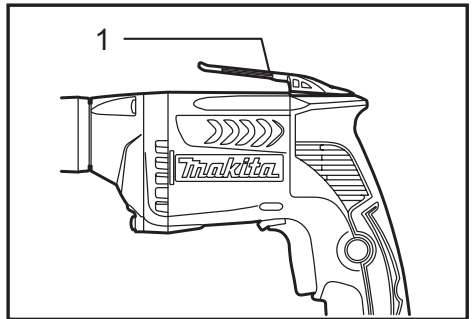


Fig.8

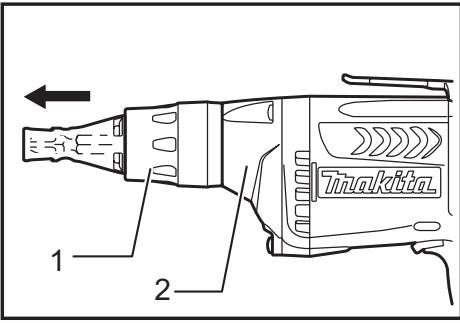


Fig.9

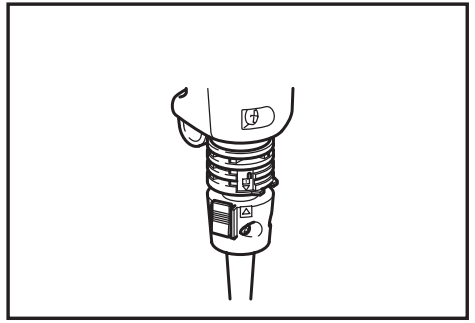


Fig.13

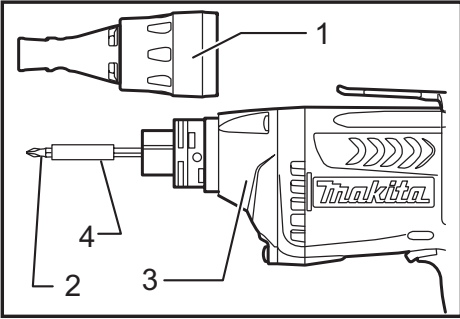


Fig.10

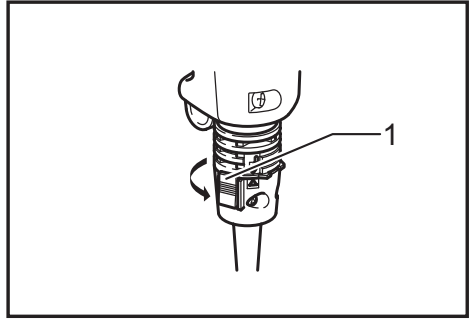


Fig.14

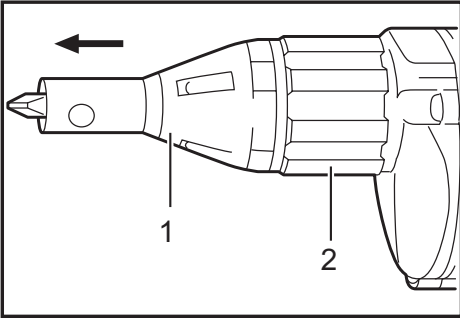


Fig.11

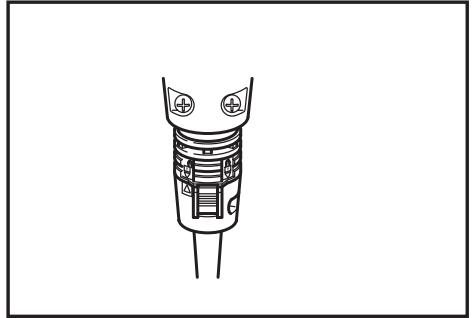


Fig.15

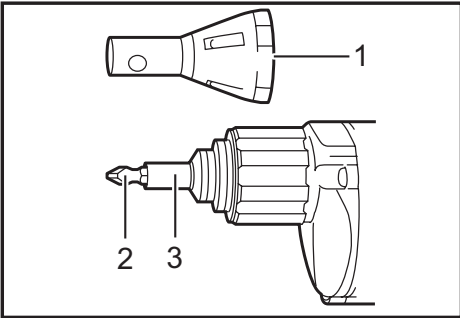


Fig.12

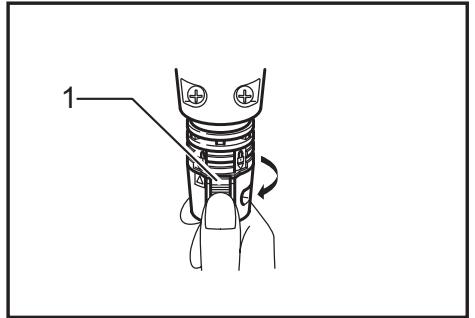


Fig.16

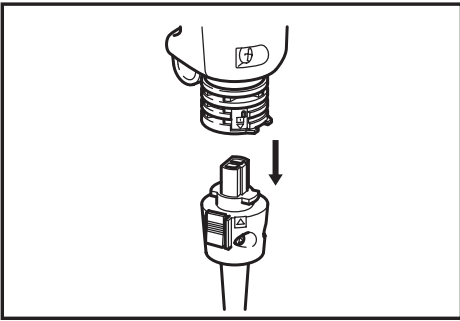


Fig.17

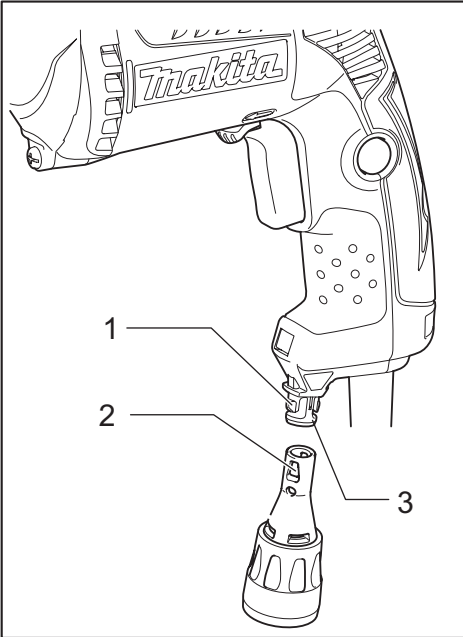


Fig.18

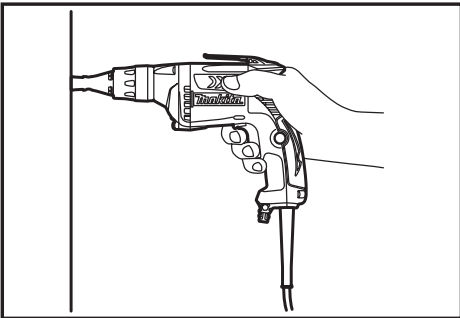


Fig.19

# SPECIFICATIONS

| Model                              |                     | FS4000    | FS4000X | FS4200 | FS4300 | FS4300X | FS6200    | FS6300 | FS6300R | FS6300X |  |
|------------------------------------|---------------------|-----------|---------|--------|--------|---------|-----------|--------|---------|---------|--|
| Capacities                         | Self drilling screw | 6 mm      |         |        |        |         | -         |        |         |         |  |
|                                    | Drywall screw       | 5 mm      |         |        |        |         | 4 mm      |        |         |         |  |
| No load speed (min <sup>-1</sup> ) |                     | 0 - 4,000 |         |        |        |         | 0 - 6,000 |        |         |         |  |
| Overall length                     |                     | 269 mm    | 284 mm  | 269 mm | 279 mm | 293 mm  | 269 mm    | 279 mm | 279 mm  | 293 mm  |  |
| Net weight                         |                     | 1.3 kg    |         |        | 1.4 kg |         |           |        |         |         |  |
| Safety class                       |                     | □/II      |         |        |        |         |           |        |         |         |  |

- Due to our continuing program of research and development, the specifications herein are subject to change without notice.
- Specifications may differ from country to country.
- Weight according to EPTA-Procedure 01/2014

## Symbols

The following show the symbols used for the equipment. Be sure that you understand their meaning before use.



Read instruction manual.



DOUBLE INSULATION



Only for EU countries  
Do not dispose of electric equipment together with household waste material!  
In observance of the European Directive, on Waste Electric and Electronic Equipment and its implementation in accordance with national law, electric equipment that have reached the end of their life must be collected separately and returned to an environmentally compatible recycling facility.

### Intended use

The tool is intended for screw driving in wood, metal and plastic.

### Power supply

The tool should be connected only to a power supply of the same voltage as indicated on the nameplate, and can only be operated on single-phase AC supply. They are double-insulated and can, therefore, also be used from sockets without earth wire.

### Noise

The typical A-weighted noise level determined according to EN62841:

**Model FS4000, FS4000X, FS4200, FS4300, FS4300X, FS6300, FS6300R, FS6300X**

Sound pressure level ( $L_{pA}$ ): 82 dB (A)

Sound power level ( $L_{WA}$ ): 93 dB (A)

Uncertainty (K): 3 dB (A)

**Wear ear protection**

### Vibration

The vibration total value (tri-axial vector sum) determined according to EN62841:

**Model FS4000, FS4000X, FS4200, FS4300, FS4300X, FS6300, FS6300R, FS6300X**

Work mode: screwdriving without impact

Vibration emission ( $a_{hv}$ ): 2.5 m/s<sup>2</sup> or less

Uncertainty (K): 1.5 m/s<sup>2</sup>

**NOTE:** The declared vibration emission value has been measured in accordance with the standard test method and may be used for comparing one tool with another.

**NOTE:** The declared vibration emission value may also be used in a preliminary assessment of exposure.

**WARNING:** The vibration emission during actual use of the power tool can differ from the declared emission value depending on the ways in which the tool is used.

**WARNING:** Be sure to identify safety measures to protect the operator that are based on an estimation of exposure in the actual conditions of use (taking account of all parts of the operating cycle such as the times when the tool is switched off and when it is running idle in addition to the trigger time).

## EC Declaration of Conformity

### For European countries only

The EC declaration of conformity is included as Annex A to this instruction manual.

## General power tool safety warnings

**WARNING:** Read all safety warnings, instructions, illustrations and specifications provided with this power tool. Failure to follow all instructions listed below may result in electric shock, fire and/or serious injury.

## Save all warnings and instructions for future reference.

The term "power tool" in the warnings refers to your mains-operated (corded) power tool or battery-operated (cordless) power tool.

### Work area safety

1. **Keep work area clean and well lit.** Cluttered or dark areas invite accidents.

2. **Do not operate power tools in explosive atmospheres, such as in the presence of flammable liquids, gases or dust.** Power tools create sparks which may ignite the dust or fumes.
3. **Keep children and bystanders away while operating a power tool.** Distractions can cause you to lose control.

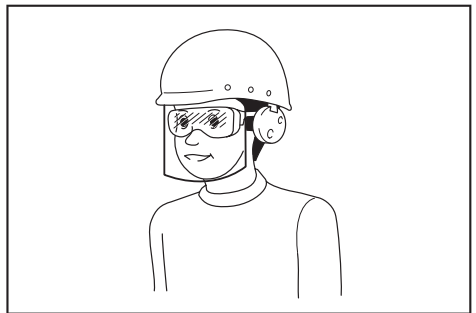
#### Electrical Safety

1. **Power tool plugs must match the outlet. Never modify the plug in any way. Do not use any adapter plugs with earthed (grounded) power tools.** Unmodified plugs and matching outlets will reduce risk of electric shock.
2. **Avoid body contact with earthed or grounded surfaces, such as pipes, radiators, ranges and refrigerators.** There is an increased risk of electric shock if your body is earthed or grounded.
3. **Do not expose power tools to rain or wet conditions.** Water entering a power tool will increase the risk of electric shock.
4. **Do not abuse the cord. Never use the cord for carrying, pulling or unplugging the power tool. Keep cord away from heat, oil, sharp edges or moving parts.** Damaged or entangled cords increase the risk of electric shock.
5. **When operating a power tool outdoors, use an extension cord suitable for outdoor use.** Use of a cord suitable for outdoor use reduces the risk of electric shock.
6. **If operating a power tool in a damp location is unavoidable, use a residual current device (RCD) protected supply.** Use of an RCD reduces the risk of electric shock.
7. **Use of power supply via an RCD with a rated residual current of 30 mA or less is always recommended.**
8. **Power tools can produce electromagnetic fields (EMF) that are not harmful to the user.** However, users of pacemakers and other similar medical devices should contact the maker of their device and/or doctor for advice before operating this power tool.
9. **Do not touch the power plug with wet hands.**
10. **If the cord is damaged, have it replaced by the manufacturer or his agent in order to avoid a safety hazard.**

#### Personal Safety

1. **Stay alert, watch what you are doing and use common sense when operating a power tool. Do not use a power tool while you are tired or under the influence of drugs, alcohol or medication.** A moment of inattention while operating power tools may result in serious personal injury.
2. **Use personal protective equipment. Always wear eye protection.** Protective equipment such as a dust mask, non-skid safety shoes, hard hat or hearing protection used for appropriate conditions will reduce personal injuries.
3. **Prevent unintentional starting. Ensure the switch is in the off-position before connecting to power source and/or battery pack, picking up or carrying the tool.** Carrying power tools with your finger on the switch or energising power tools that have the switch on invites accidents.

4. **Remove any adjusting key or wrench before turning the power tool on.** A wrench or a key left attached to a rotating part of the power tool may result in personal injury.
5. **Do not overreach. Keep proper footing and balance at all times.** This enables better control of the power tool in unexpected situations.
6. **Dress properly. Do not wear loose clothing or jewellery. Keep your hair and clothing away from moving parts.** Loose clothes, jewellery or long hair can be caught in moving parts.
7. **If devices are provided for the connection of dust extraction and collection facilities, ensure these are connected and properly used.** Use of dust collection can reduce dust-related hazards.
8. **Do not let familiarity gained from frequent use of tools allow you to become complacent and ignore tool safety principles.** A careless action can cause severe injury within a fraction of a second.
9. **Always wear protective goggles to protect your eyes from injury when using power tools. The goggles must comply with ANSI Z87.1 in the USA, EN 166 in Europe, or AS/NZS 1336 in Australia/New Zealand. In Australia/New Zealand, it is legally required to wear a face shield to protect your face, too.**



**It is an employer's responsibility to enforce the use of appropriate safety protective equipments by the tool operators and by other persons in the immediate working area.**

#### Power tool use and care

1. **Do not force the power tool. Use the correct power tool for your application.** The correct power tool will do the job better and safer at the rate for which it was designed.
2. **Do not use the power tool if the switch does not turn it on and off.** Any power tool that cannot be controlled with the switch is dangerous and must be repaired.
3. **Disconnect the plug from the power source and/or remove the battery pack, if detachable, from the power tool before making any adjustments, changing accessories, or storing power tools.** Such preventive safety measures reduce the risk of starting the power tool accidentally.
4. **Store idle power tools out of the reach of children and do not allow persons unfamiliar with the power tool or these instructions to operate the power tool.** Power tools are dangerous in the hands of untrained users.

5. **Maintain power tools and accessories.** Check for misalignment or binding of moving parts, breakage of parts and any other condition that may affect the power tool's operation. If damaged, have the power tool repaired before use. Many accidents are caused by poorly maintained power tools.
6. **Keep cutting tools sharp and clean.** Properly maintained cutting tools with sharp cutting edges are less likely to bind and are easier to control.
7. **Use the power tool, accessories and tool bits etc. in accordance with these instructions, taking into account the working conditions and the work to be performed.** Use of the power tool for operations different from those intended could result in a hazardous situation.
8. **Keep handles and grasping surfaces dry, clean and free from oil and grease.** Slippery handles and grasping surfaces do not allow for safe handling and control of the tool in unexpected situations.
9. **When using the tool, do not wear cloth work gloves which may be entangled.** The entanglement of cloth work gloves in the moving parts may result in personal injury.

#### Service

1. **Have your power tool serviced by a qualified repair person using only identical replacement parts.** This will ensure that the safety of the power tool is maintained.
2. **Follow instruction for lubricating and changing accessories.**

### Screwdriver safety warnings

1. **Hold the power tool by insulated gripping surfaces, when performing an operation where the fastener may contact hidden wiring or its own cord.** Fasteners contacting a "live" wire may make exposed metal parts of the power tool "live" and could give the operator an electric shock.
2. **Always be sure you have a firm footing. Be sure no one is below when using the tool in high locations.**
3. **Hold the tool firmly.**
4. **Keep hands away from rotating parts.**
5. **Do not touch the bit or the workpiece immediately after operation; they may be extremely hot and could burn your skin.**
6. **Always secure workpiece in a vise or similar hold-down device.**

### SAVE THESE INSTRUCTIONS.

**⚠ WARNING: DO NOT let comfort or familiarity with product (gained from repeated use) replace strict adherence to safety rules for the subject product.**

**MISUSE or failure to follow the safety rules stated in this instruction manual may cause serious personal injury.**

## FUNCTIONAL DESCRIPTION

#### ⚠ CAUTION:

- Always be sure that the tool is switched off and unplugged before adjusting or checking function on the tool.

### Depth adjustment

#### For model FS4000, FS4200, FS4300, FS6200, FS6300, FS6300R

► Fig.1: 1. Lock ring

The depth can be adjusted by turning the lock ring. Turn it in "B" direction for less depth and in "A" direction for more depth. One full turn of the lock ring equals 2.0 mm change in depth.

#### For model FS4000X, FS4300X, FS6300X

► Fig.2: 1. Locking sleeve

The depth can be adjusted by turning the locking sleeve. Turn it in "A" direction for less depth and in "B" direction for more depth. One full turn of the locking sleeve equals 1.5 mm change in depth.

### For all Models

Adjust the lock ring so that the distance between the tip of the locator and the screw head is approximately 1 mm as shown in the figures. Drive a trial screw into your material or a piece of duplicate material. If the depth is still not suitable for the screw, continue adjusting until you obtain the proper depth setting.

► Fig.3: 1. Locator

► Fig.4: 1. Locator

### Switch action

► Fig.5: 1. Switch trigger 2. Lock button

#### ⚠ CAUTION:

- Before plugging in the tool, always check to see that the switch trigger actuates properly and returns to the "OFF" position when released.

To start the tool, simply pull the switch trigger. Tool speed is increased by increasing pressure on the switch trigger. Release the switch trigger to stop.

For continuous operation, pull the switch trigger and then push in the lock button.

To stop the tool from the locked position, pull the switch trigger fully, then release it.

#### NOTE:

- Even with the switch on and motor running, the bit will not rotate until you fit the point of the bit in the screw head and apply forward pressure to engage the clutch.

## Lighting up the lamps

### For model FS4200, FS4300, FS4300X, FS6200, FS6300, FS6300R, FS6300X

► Fig.6: 1. Lamp

#### ⚠ CAUTION:

- Do not look in the light or see the source of light directly.

To turn on the lamp, pull the trigger. Release the trigger to turn it off.

#### NOTE:

- Use a dry cloth to wipe the dirt off the lens of lamp. Be careful not to scratch the lens of lamp, or it may lower the illumination.

## Reversing switch action

► Fig.7: 1. Reversing switch lever

#### ⚠ CAUTION:

- Always check the direction of rotation before operation.
- Use the reversing switch only after the tool comes to a complete stop. Changing the direction of rotation before the tool stops may damage the tool.

This tool has a reversing switch to change the direction of rotation. Move the reversing switch lever to the ↶ position (A side) for clockwise rotation or the ↷ position (B side) for counterclockwise rotation.

## Hook

► Fig.8: 1. Hook

The hook is convenient for temporarily hanging the tool.

## ASSEMBLY

#### ⚠ CAUTION:

- Always be sure that the tool is switched off and unplugged before carrying out any work on the tool.

## Installing or removing the bit

### For model FS4000, FS4200, FS4300, FS6200, FS6300, FS6300R

To remove the bit, first remove the locator by pulling the lock ring away from the gear housing.

► Fig.9: 1. Lock ring 2. Gear housing

Grasp the bit with a pair of pliers and pull the bit out of the magnetic bit holder. Sometimes, it helps to wiggle the bit with the pliers as you pull.

To install the bit, push it firmly into the magnetic bit holder. Then install the locator by pushing it firmly back onto the gear housing.

► Fig.10: 1. Locator 2. Bit 3. Gear housing  
4. Magnetic bit holder

### For model FS4000X, FS4300X, FS6300X

To remove the bit, first pull the locator out of the locking sleeve. Then grasp the bit with a pair of pliers and pull the bit out of the magnetic bit holder. Sometimes, it helps to wiggle the bit with the pliers as you pull.

► Fig.11: 1. Locator 2. Locking sleeve

To install the bit, push it firmly into the magnetic bit holder. Then install the locator by pushing it firmly back onto the locking sleeve.

► Fig.12: 1. Locator 2. Bit 3. Magnetic bit holder

## Installing removable cord adapter

### For Model FS6300R

► Fig.13

Insert the removable cord adapter as far as it goes so that the marking  $\triangle$  on an end of the removable cord adapter on the side of connecting to power supply cord is aligned to the marking  $\oplus$  on the other end of the removable cord adapter on the side of connecting to the tool.

Turn the removable cord adapter clockwise until it is locked with a lock button.

► Fig.14: 1. Lock button

And at this time the marking  $\triangle$  on an end of the removable cord adapter on the side of power supply cord is aligned to the marking  $\oplus$  on the other end of the removable cord adapter on the side of connecting to the tool.

► Fig.15

## Removing removable cord adapter

► Fig.16: 1. Lock button

Rotate the removable cord adapter counterclockwise until it stops while pressing the lower part of the lock button.

Then pull the removable cord adapter in that position.

► Fig.17

## Use of locator holder

► Fig.18: 1. Swells 2. Trapezoidal holes 3. Locator holder

The locator can be temporarily held on the locator holder during replacing bit or using without locator. To hold the locator, position the trapezoidal holes of the locator on the swells of the locator holder and push it in.

## OPERATION

► Fig.19

Fit the screw on the point of the bit and place the point of the screw on the surface of the workpiece to be fastened. Apply pressure to the tool and start it. Withdraw the tool as soon as the clutch cuts in. Then release the switch trigger.



**⚠ CAUTION:**

- When fitting the screw onto the point of the bit, be careful not to push in on the screw. If the screw is pushed in, the clutch will engage and the screw will rotate suddenly. This could damage a workpiece or cause an injury.
- Make sure that the bit is inserted straight in the screw head, or the screw and/or bit may be damaged.
- Hold the tool only by the handle when performing an operation. Do not touch the metal part.

## MAINTENANCE

**⚠ CAUTION:**

- Always be sure that the tool is switched off and unplugged before attempting to perform inspection or maintenance.
- Never use gasoline, benzine, thinner, alcohol or the like. Discoloration, deformation or cracks may result.

To maintain product SAFETY and RELIABILITY, repairs, carbon brush inspection and replacement, any other maintenance or adjustment should be performed by Makita Authorized Service Centers, always using Makita replacement parts.

## OPTIONAL ACCESSORIES

**⚠ CAUTION:**

- These accessories or attachments are recommended for use with your Makita tool specified in this manual. The use of any other accessories or attachments might present a risk of injury to persons. Only use accessory or attachment for its stated purpose.

If you need any assistance for more details regarding these accessories, ask your local Makita Service Center.

- Phillips Insert bits
- Magnetic bit holder
- Locator
- Plastic carrying case

**NOTE:**

- Some items in the list may be included in the tool package as standard accessories. They may differ from country to country.

## ТЕХНИЧЕСКИЕ ХАРАКТЕРИСТИКИ

| Модель   |                       | FS4000    | FS4000X | FS4200 | FS4300 | FS4300X | FS6200    | FS6300 | FS6300R | FS6300X |  |
|--|-----------------------|-----------|---------|--------|--------|---------|-----------|--------|---------|---------|--|
| Производительность                               | Саморез               | 6 мм      |         |        |        |         | -         |        |         |         |  |
|  | Шуруп для гипскартона | 5 мм      |         |        |        |         | 4 мм      |        |         |         |  |
| Число оборотов без нагрузки (мин <sup>-1</sup> ) |                       | 0 - 4 000 |         |        |        |         | 0 - 6 000 |        |         |         |  |
| Общая длина                                      |                       | 269 мм    | 284 мм  | 269 мм | 279 мм | 293 мм  | 269 мм    | 279 мм | 279 мм  | 293 мм  |  |
| Вес нетто  |                       | 1,3 кг    |         |        | 1,4 кг |         |           |        |         |         |  |
| Класс безопасности                               |                       | □/II      |         |        |        |         |           |        |         |         |  |

- Благодаря нашей постоянно действующей программе исследований и разработок указанные здесь технические характеристики могут быть изменены без предварительного уведомления.
- Технические характеристики могут различаться в зависимости от страны.
- Масса в соответствии с процедурой EPTA 01/2014

### Символы

Ниже приведены символы, используемые для электроинструмента. Перед использованием убедитесь, что вы понимаете их значение.



Прочитайте руководство пользователя.



ДВОЙНАЯ ИЗОЛЯЦИЯ



Только для стран ЕС  
Не утилизируйте данный электроинструмент вместе с бытовыми отходами! В рамках соблюдения Европейской Директивы по утилизации электрического и электронного оборудования и ее применения в соответствии с национальным законодательством, электрооборудование в конце срока своей службы должно утилизироваться отдельно и передаваться для его утилизации на предприятие, соответствующее применяемым правилам охраны окружающей среды.

### Назначение

Инструмент предназначен для закручивания шурупов в древесину, металл и пластмассу.

### Питание

Подключайте данный инструмент только к тому источнику питания, напряжение которого соответствует напряжению, указанному на паспортной табличке. Инструмент предназначен для работы от источника однофазного переменного тока. Он имеет двойную изоляцию и поэтому может подключаться к розеткам без заземления.

### Шум

Типичный уровень взвешенного звукового давления (A), измеренный в соответствии с EN62841:

**Модель FS4000, FS4000X, FS4200, FS4300, FS4300X, FS6300, FS6300R, FS6300X**

Уровень звукового давления ( $L_{pA}$ ): 82 дБ (A)

Уровень звуковой мощности ( $L_{WA}$ ): 93 дБ (A)

Погрешность (K): 3 дБ (A)

**Используйте средства защиты слуха**

### Вибрация

Суммарное значение вибрации (сумма векторов по трем осям) определяется по следующим параметрам EN62841:

**Модель FS4000, FS4000X, FS4200, FS4300, FS4300X, FS6300, FS6300R, FS6300X**

Рабочий режим: безударный шуруповерт

Распространение вибрации ( $a_h$ ): 2,5 м/с<sup>2</sup> или менее

Погрешность (K): 1,5 м/с<sup>2</sup>

**ПРИМЕЧАНИЕ:** Заявленное значение распространения вибрации измерено в соответствии со стандартной методикой испытаний и может быть использовано для сравнения инструментов.

**ПРИМЕЧАНИЕ:** Заявленное значение распространения вибрации можно также использовать для предварительных оценок воздействия.

**▲ОСТОРОЖНО:** Распространение вибрации во время фактического использования электроинструмента может отличаться от заявленного значения в зависимости от способа применения инструмента.

**▲ОСТОРОЖНО:** Обязательно определите меры безопасности для защиты оператора, основанные на оценке воздействия в реальных условиях использования (с учетом всех этапов рабочего цикла, таких как выключение инструмента, работа без нагрузки и включение).

### Декларация о соответствии ЕС

*Только для европейских стран*

Декларация о соответствии ЕС включена в руководство по эксплуатации (Приложение А).

## Общие рекомендации по технике безопасности для электроинструментов

**⚠ ОСТОРОЖНО:** Ознакомьтесь со всеми представленными инструкциями по технике безопасности, указаниями, иллюстрациями и техническими характеристиками, прилагаемыми к данному электроинструменту. Несоблюдение каких-либо инструкций, указанных ниже, может привести к поражению электрическим током, пожару и/или серьезной травме.

## Сохраните брошюру с инструкциями и рекомендациями для дальнейшего использования.

Термин "электроинструмент" в предупреждениях относится ко всему инструменту, работающему от сети (с проводом) или на аккумуляторах (без провода).

### Безопасность в месте выполнения работ

1. Рабочее место должно быть чистым и хорошо освещенным. Захламление и плохое освещение могут стать причиной несчастных случаев.
2. Не пользуйтесь электроинструментом во взрывоопасной атмосфере, например в присутствии легко воспламеняющихся жидкостей, газов или пыли. При работе электроинструмента возникают искры, которые могут привести к воспламенению пыли или газов.
3. При работе с электроинструментом не допускайте детей или посторонних к месту выполнения работ. Не отвлекайтесь во время работы, так как это приведет к потере контроля над электроинструментом.

### Электробезопасность

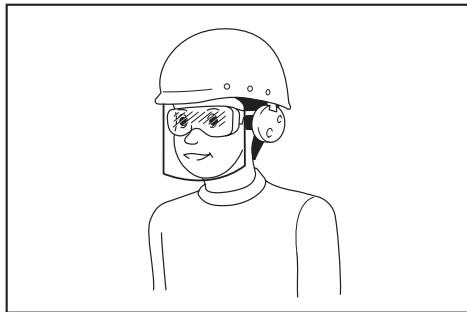
1. Вилка электроинструмента должна соответствовать сетевой розетке. Запрещается вносить какие-либо изменения в конструкцию вилки. Для электроинструмента с заземленным корпусом запрещается использовать переходники. Розетки и вилки, не подвергавшиеся изменениям, снижают риск поражения электрическим током.
2. Избегайте контакта участков тела с заземленными поверхностями, такими как трубы, радиаторы, батареи отопления и холодильники. При контакте тела с заземленными предметами увеличивается риск поражения электрическим током.
3. Не подвергайте электроинструмент воздействию дождя или влаги. Попадание воды в электроинструмент повышает риск поражения электрическим током.
4. Аккуратно обращайтесь со шнуром питания. Запрещается использовать шнур питания для переноски, перемещения или извлечения вилки из розетки. Располагайте шнур на расстоянии от источников тепла, масла, острых краев и движущихся деталей. Поврежденные или запутанные сетевые шнуры увеличивают риск поражения электрическим током.
5. При использовании электроинструмента вне помещения используйте удлинитель, подходящий для этих целей. Использование соответствующего шнура снижает риск поражения электрическим током.

6. Если электроинструмент приходится эксплуатировать в сыром месте, используйте линию электропитания, которая защищена устройством, срабатывающим от остаточного тока (RCD). Использование RCD снижает риск поражения электротоком.
7. Рекомендуется использовать питание через RCD с номинальным остаточным током 30 мА или менее.
8. Электроинструмент может создавать электромагнитные поля (EMF), которые не представляют опасности для пользователя. Однако пользователям с кардиостимуляторами и другими аналогичными медицинскими устройствами следует обратиться к производителю устройства и/или врачу перед началом эксплуатации инструмента.
9. Не прикасайтесь к разъему электропитания мокрыми руками.
10. Во избежание угрозы безопасности, в случае повреждения кабеля его необходимо заменить в мастерской изготовителя.

### Личная безопасность

1. При использовании электроинструмента будьте бдительны, следите за тем, что вы делаете, и руководствуйтесь здравым смыслом. Не пользуйтесь электроинструментом, если вы устали, находитесь под воздействием наркотиков, алкоголя или лекарственных препаратов. Даже мгновенная невнимательность при использовании электроинструмента может привести к серьезной травме.
2. Используйте индивидуальные средства защиты. Всегда надевайте защитные очки. Такие средства индивидуальной защиты, как маска от пыли, защитная нескользящая обувь, каска или наушники, используемые в соответствующих условиях, позволяют снизить риск получения травмы.
3. Не допускайте случайного запуска. Прежде чем подсоединять инструмент к источнику питания и/или аккумуляторной батарее, поднимать или переносить инструмент, убедитесь, что переключатель находится в выключенном положении. Переноска электроинструмента с пальцем на выключателе или подача питания на инструмент с включенным выключателем может привести к несчастному случаю.
4. Перед включением электроинструмента снимите с него все регулировочные инструменты и гаечные ключи. Гаечный или регулировочный ключ, оставшийся закрепленным на вращающейся детали, может привести к травме.
5. При эксплуатации устройства не тянитесь. Всегда сохраняйте устойчивое положение и равновесие. Это позволит лучше управлять электроинструментом в непредвиденных ситуациях.
6. Одевайтесь соответствующим образом. Не надевайте свободную одежду или украшения. Ваши волосы и одежда должны всегда находиться на расстоянии от движущихся деталей. Свободная одежда, украшения или длинные волосы могут попасть в движущиеся детали устройства.
7. Если электроинструмент оборудован системой удаления и сбора пыли, убедитесь, что она подключена и используется соответствующим образом. Использование пылесборника снижает вероятность возникновения рисков, связанных с пылью.

8. Не переоценивайте свои возможности и не пренебрегайте правилами техники безопасности, даже если вы часто работаете с инструментом. Небрежное обращение с инструментом может стать причиной серьезной травмы за доли секунды.
9. Во время работы с электроинструментом всегда надевайте защитные очки. Очки должны соответствовать ANSI Z87.1 для США, EN 166 для Европы, или AS/NZS 1336 для Австралии и Новой Зеландии. В Австралии и Новой Зеландии оператор также обязан носить защитную маску.



Ответственность за использование средств защиты операторами и другим персоналом вблизи рабочей зоны возлагается на работодателя.

#### Эксплуатация и обслуживание электроинструмента

1. Не прилагайте излишних усилий к электроинструменту. Используйте инструмент, соответствующий выполняемой вами работе. Правильно подобранный электроинструмент позволит выполнить работу лучше и безопаснее с производительностью, на которую он рассчитан.
2. Не пользуйтесь электроинструментом с неисправным выключателем. Любой электроинструмент с неисправным выключателем опасен и должен быть отремонтирован.
3. Перед выполнением регулировок, сменой принадлежностей или хранением электроинструмента всегда отключайте его от источника питания и/или от аккумулятора или снимайте аккумулятор, если он является съемным. Такие превентивные меры предосторожности снижают риск случайного включения электроинструмента.
4. Храните электроинструменты в местах, недоступных для детей, и не позволяйте лицам, не знакомым с работой такого инструмента или не прочитавшим данные инструкции, пользоваться им. Электроинструмент опасен в руках неопытных пользователей.
5. Поддерживайте электроинструмент и дополнительные принадлежности в надлежащем состоянии. Убедитесь в соосности, отсутствии деформаций движущихся узлов, поломке каких-либо деталей или других дефектов, которые могут повлиять на работу электроинструмента. Если инструмент поврежден, отремонтируйте его перед использованием. Большое число несчастных случаев происходит из-за плохого ухода за электроинструментом.

6. Режущий инструмент всегда должен быть острым и чистым. Соответствующее обращение с режущим инструментом, имеющим острые режущие кромки, делает его менее подверженным деформациям, что позволяет лучше управлять им.
7. Используйте электроинструмент, принадлежности, приспособления и насадки в соответствии с данными инструкциями и в целях, для которых он предназначен, учитывая при этом условия и вид выполняемой работы. Использование электроинструмента не по назначению может привести к возникновению опасной ситуации.
8. Рукоятки инструмента и специальные изолированные поверхности всегда должны быть сухими и чистыми и не содержать следов масла или смазки. Скользкие рукоятки и специальные поверхности препятствуют соблюдению рекомендаций по технике безопасности в экстренных ситуациях.
9. При использовании инструмента не надевайте рабочие перчатки, ткань которых инструмент может затянуть. Затягивание ткани рабочих перчаток в движущиеся части инструмента может привести к травме.

#### Сервисное обслуживание

1. Сервисное обслуживание электроинструмента должно проводиться только квалифицированным специалистом по ремонту и только с использованием идентичных запасных частей. Это позволит обеспечить безопасность электроинструмента.
2. Следуйте инструкциям по смазке и замене принадлежностей.

### Меры безопасности при эксплуатации шуруповерта

1. Если при выполнении работ существует риск контакта крепежа со скрытой электропроводкой или собственным шнуром питания, держите электроинструмент за специально предназначенные изолированные поверхности. Контакт с проводом под напряжением приведет к тому, что металлические детали инструмента также будут под напряжением, что приведет к поражению оператора электрическим током.
2. При выполнении работ всегда занимайте устойчивое положение. При использовании инструмента на высоте убедитесь в отсутствии людей внизу.
3. Крепко держите инструмент.
4. Руки должны находиться на расстоянии от вращающихся деталей.
5. Сразу после окончания работ не прикасайтесь к головке или детали. Они могут быть очень горячими, что приведет к ожогам кожи.
6. Всегда закрепляйте обрабатываемые детали в тисках или аналогичном зажимном устройстве.

### СОХРАНИТЕ ДАННЫЕ ИНСТРУКЦИИ.

**⚠ОСТОРОЖНО:** НЕ ДОПУСКАЙТЕ, чтобы удобство или опыт эксплуатации данного устройства (полученный от многократного использования) доминировали над строгим соблюдением правил техники безопасности при обращении с этим устройством.

**НЕПРАВИЛЬНОЕ ИСПОЛЬЗОВАНИЕ инструмента или несоблюдение правил техники безопасности, указанных в данном руководстве, может привести к тяжелой травме.**

## ОПИСАНИЕ ФУНКЦИОНИРОВАНИЯ

### **⚠ВНИМАНИЕ:**

- Перед проведением регулировки или проверки работы инструмента всегда проверяйте, что инструмент выключен, а шнур питания вынут из розетки.

### Регулировка глубины

#### Для модели FS4000, FS4200, FS4300, FS6200, FS6300, FS6300R

► Рис.1: 1. Стопорное кольцо

Глубину можно отрегулировать поворотом стопорного кольца. Поверните его в направлении "B" для уменьшения глубины и в направлении "A" для увеличения глубины. Один полный оборот стопорного кольца равен 2,0-мм изменению глубины.

#### Для модели FS4000X, FS4300X, FS6300X

► Рис.2: 1. Стопорная втулка

Глубину можно отрегулировать поворотом блокировочной втулки. Поверните ее в направлении "A" для уменьшения глубины и в направлении "B" для увеличения глубины. Один полный оборот блокировочной втулки равен 1,5-мм изменению глубины.

### Для всех моделей

Отрегулируйте положение стопорного кольца таким образом, чтобы расстояние между концом локатора и головкой винта составляло примерно 1 мм, как показано на рисунках. Вверните пробный шуруп в нужный материал или в аналогичный материал. Если глубина по-прежнему не оптимальна для этого винта, продолжайте регулировку до тех пор, пока не подберете подходящее положение.

► Рис.3: 1. Локатор

► Рис.4: 1. Локатор

### Действие выключателя

► Рис.5: 1. Курковый выключатель 2. Кнопка блокировки

### **⚠ВНИМАНИЕ:**

- Перед включением инструмента в розетку, всегда проверяйте, что триггерный переключатель работает надлежащим образом и возвращается в положение "ВЫКЛ", если его отпустить.

Для включения инструмента, просто нажмите на триггерный переключатель. Скорость инструмента повышается путем увеличения давления на триггерный переключатель. Отпустите триггерный переключатель для остановки.

При продолжительной эксплуатации, нажмите на триггерный переключатель, затем нажмите кнопку блокировки. Для остановки инструмента из заблокированного положения, выжмите триггерный переключатель до конца, затем отпустите его.

### **ПРИМЕЧАНИЕ:**

- Даже при включенном переключателе и вращающемся двигателе, бита не будет вращаться, пока Вы не вставите наконечник биты в головку винта и не надавите на него для включения муфты.

### Включение ламп

#### Для модели FS4200, FS4300, FS4300X, FS6200, FS6300, FS6300R, FS6300X

► Рис.6: 1. Лампа

### **⚠ВНИМАНИЕ:**

- Не смотрите непосредственно на свет или источник света.

Для включения лампы нажмите на триггерный переключатель. Отпустите переключатель для выключения лампы.

### **ПРИМЕЧАНИЕ:**

- Используйте сухую ткань для очистки грязи с линзы лампы. Следите за тем, чтобы не поцарапать линзу лампы, так как это может уменьшить освещение.

### Действие реверсивного переключателя

► Рис.7: 1. Рычаг реверсивного переключателя

### **⚠ВНИМАНИЕ:**

- Перед работой всегда проверяйте направление вращения.
- Пользуйтесь реверсивным переключателем только после полной остановки инструмента. Изменение направления вращения до полной остановки инструмента может привести к его повреждению.

Данный инструмент имеет реверсивный переключатель для изменения направления вращения. Переведите рычаг реверсивного переключателя в положение ⇐ (сторона A) для вращения по часовой стрелке или в положение ⇒ (сторона B) для вращения против часовой стрелки.

### Крючок

► Рис.8: 1. Крючок

Крючок удобен для временного подвешивания инструмента.

## МОНТАЖ

### ⚠ВНИМАНИЕ:

- Перед проведением каких-либо работ с инструментом всегда проверяйте, что инструмент выключен, а шнур питания вынут из розетки.

## Установка или снятие биты

### Для модели FS4000, FS4200, FS4300, FS6200, FS6300, FS6300R

Чтобы снять биту, необходимо сначала снять локатор. Для этого оттяните стопорное кольцо от корпуса редуктора.

► **Рис.9:** 1. Стопорное кольцо 2. Корпус редуктора

Захватите биту плоскогубцами и извлеките ее из магнитного держателя. Для облегчения извлечения биты покачивайте ее из стороны в сторону плоскогубцами. Чтобы вставить биту, установите ее в магнитный держатель и нажмите до упора. Затем установите локатор, вставив его до упора в редуктор.

► **Рис.10:** 1. Локатор 2. Бита 3. Корпус редуктора 4. Магнитный держатель бит

### Для модели FS4000X, FS4300X, FS6300X

Для снятия биты, сначала вытяните локатор из блокировочной втулки. Затем возьмите биту плоскогубцами и вытяните биту из магнитного держателя бит. Иногда покачивание биты плоскогубцами помогает вытащить биту.

► **Рис.11:** 1. Локатор 2. Стопорная втулка


Для установки биты, крепко толкните ее в магнитный держатель бит. Затем установите локатор, решительно надев его обратно на блокировочную втулку.

► **Рис.12:** 1. Локатор 2. Бита 3. Магнитный держатель бит

## Установка адаптера съемного шнура


### Для модели FS6300R

► **Рис.13**

Вставьте адаптер съемного шнура до конца, таким образом, чтобы отметка  $\Delta$  на конце адаптера съемного шнура на стороне подключения шнура источника питания совпала с отметкой  на другом конце адаптера съемного шнура на стороне подключения к инструменту.

Поворачивайте адаптер съемного шнура по часовой стрелке, пока он не зафиксируется в положении блокировки.

► **Рис.14:** 1. Кнопка блокировки

А в данный момент отметка  $\Delta$  на конце адаптера съемного шнура на стороне шнура источника питания совмещается с отметкой  на другой стороне адаптера съемного шнура на стороне подключения к инструменту.

► **Рис.15**

## Снятие адаптера съемного шнура

► **Рис.16:** 1. Кнопка блокировки

Поверните адаптер съемного шнура против часовой стрелки до остановки, нажимая на нижнюю часть кнопки блокировки.

Затем вытяните адаптер съемного шнура в этом положении.

► **Рис.17**

## Использование держателя локатора

► **Рис.18:** 1. Выступы 2. Трапециевидные отверстия 3. Держатель локатора

Локатор можно временно помещать в держатель при замене биты или при использовании другого локатора. Чтобы вставить локатор, совместите трапециевидные отверстия локатора с выступами на держателе и нажмите на локатор.

## ЭКСПЛУАТАЦИЯ

► **Рис.19**

Вставьте винт на острие биты и поставьте острие винта на поверхность обрабатываемой детали, которую необходимо закрепить. Надавите на инструмент и запустите его. Уберите инструмент сразу же после срабатывания муфты. После этого отпустите триггерный переключатель.

### ⚠ВНИМАНИЕ:

- При вставке винта на острие биты соблюдайте осторожность и не давите на болт. Если надавить на винт, включится муфта, и винт внезапно закрутится. Это может повредить обрабатываемую деталь или привести к травме.
- Следите за тем, чтобы бита вставлялась прямо в головку винта, иначе можно повредить винт и/или биту.
- При работе держите инструмент только за ручку. Не касайтесь металлической части.

## ТЕХОБСЛУЖИВАНИЕ

### ⚠ВНИМАНИЕ:

- Перед проверкой или проведением техобслуживания убедитесь, что инструмент выключен, а штекер отсоединен от розетки.
- Запрещается использовать бензин, лигроин, растворитель, спирт и т.п. Это может привести к изменению цвета, деформации и появлению трещин.

Для обеспечения БЕЗОПАСНОСТИ и НАДЕЖНОСТИ изделия ремонт, проверка и замена угольных щеток и любые другие работы по техобслуживанию или регулировке должны осуществляться в уполномоченных сервис-центрах Makita с использованием запасных частей только производства компании Makita.

# ДОПОЛНИТЕЛЬНЫЕ ПРИНАДЛЕЖНОСТИ

## **⚠ ВНИМАНИЕ:**

- Эти принадлежности или насадки рекомендуются использовать вместе с вашим инструментом Makita, описанным в данном руководстве. Использование каких-либо других принадлежностей или насадок может представлять опасность получения травм. Используйте принадлежность или насадку только по указанному назначению.

Если вам необходимо содействие в получении дополнительной информации по этим принадлежностям, свяжитесь со своим местным сервис-центром Makita.

- Твердосплавные биты Phillips
- Магнитный держатель бит
- Локатор
- Пластмассовый чемодан для переноски

## **ПРИМЕЧАНИЕ:**

- Некоторые элементы списка могут входить в комплект инструмента в качестве стандартных приспособлений. Они могут отличаться в зависимости от страны.

## ТЕХНИКАЛЫҚ СИПАТТАМАЛАРЫ

| Үлгісі                                     |                                | FS4000    | FS4000X | FS4200 | FS4300 | FS4300X | FS6200    | FS6300 | FS6300R | FS6300X |  |
|--|--------------------------------|-----------|---------|--------|--------|---------|-----------|--------|---------|---------|--|
| Сыйымдылықтары                             | Өздігінен бұрғыланатын бұранда | 6 мм      |         |        |        |         | -         |        |         |         |  |
|  | Гипсокартонға арналған бұранда | 5 мм      |         |        |        |         | 4 мм      |        |         |         |  |
| Жүктемесіз жылдамдығы (мин <sup>-1</sup> ) |                                | 0 - 4 000 |         |        |        |         | 0 - 6 000 |        |         |         |  |
| Жалпы ұзындығы                             |                                | 269 мм    | 284 мм  | 269 мм | 279 мм | 293 мм  | 269 мм    | 279 мм | 279 мм  | 293 мм  |  |
| Таза салмағы                               |                                | 1,3 кг    |         |        | 1,4 кг |         |           |        |         |         |  |
| Қауіпсіздік класы                          |                                | ▢/II      |         |        |        |         |           |        |         |         |  |

- Зерттеу мен әзірлеудің үздіксіз бағдарламасына байланысты осы құжаттағы техникалық сипаттамалар ескертусіз өзгертілуі мүмкін.
- Техникалық сипаттамалары әр елде әр түрлі болуы мүмкін.
- Салмағы ЕРТА-Procedure 01/2014 стандартына сәйкес

### Белгілер

Төменде жабдықта пайдаланылған белгілер көрсетілген. Қолданар алдында олардың мағынасын түсініп алыңыз.



Пайдалану жөніндегі нұсқаулықты оқып шығыңыз.



ҚОС ҚАБАТТЫ ОҚШАУЛАУ



Тек ЕО елдері үшін  
Электрлік жабдықты тұрмыстық қалдықтармен бірге тастамаңыз!  
Электрлік және электрондық жабдықты қоқысқа тастау бойынша Еуропалық директиваның шарттары бойынша, қызметтік мерзімі аяқталған электрлік жабдықты бөлек жиналып, экологиялық тұрғыдан қауіпсіз утилизация пунктіне қайтарылуы тиіс.

### Қолдану мақсаты

Құрал бұранданы ағашқа, металға және пластмассаға бұрап кіргізуге арналған.

### Қуат көзі

Құрал паспорттық деректері бар фирмалық тақтайшада көрсетілген кернеумен бірдей қуат көзіне қосылуы керек және тек бір фазалы АТ көзімен жұмыс істейді. Оның қос қабатты оқшауламасы бар болғандықтан, жерге тұйықталмаған розеткаларды пайдалануға болады.

### Шу

Шу EN62841 стандартына сай анықталған стандартты А қысығы бойынша өлшенген шу деңгейі:

**FS4000, FS4000X, FS4200, FS4300, FS4300X, FS6300, FS6300R, FS6300X** үлгісі

Дыбыс қысымының деңгейі ( $L_{pA}$ ) : 82 дБА

Дыбыс қысымының деңгейі ( $L_{WA}$ ) : 93 дБА

Дәлсіздігі (K) : 3 дБА

**Қорғаныс құлақпабын киіңіз**

### Діріл

EN62841 стандартына сәйкес анықталған дірілдің жалпы мәні (үш осьтік векторлық сомасы):

**FS4000, FS4000X, FS4200, FS4300, FS4300X, FS6300, FS6300R, FS6300X** үлгісі

Жұмыс режимі: бұрама шегені соққысыз бұрғылау

Дірілдің таралуы ( $a_n$ ): 2,5 м/с<sup>2</sup> немесе одан аз  
Дәлсіздік (K): 1,5 м/с<sup>2</sup>

**ЕСКЕРТПЕ:** Дірілдің жарияланған таралу мәні стандартты сынау әдісіне сәйкес өлшенген және оны бір құралды екінші құралмен салыстыру үшін пайдалануға болады.

**ЕСКЕРТПЕ:** Оны сондай-ақ әсерді алдын ала бағалау үшін пайдалануға болады.

**▲ЕСКЕРТУ:** Электрлік құралды іс жүзінде пайдалану кезіндегі дірілдің таралуы құралдың пайдалану әдісіне байланысты жарияланған дірілдің таралу мәнінен өзгеше болуы мүмкін.

**▲ЕСКЕРТУ:** Іс жүзінде пайдалану кезіндегі әсерді бағалау негізінде операторды қорғау үшін қауіпсіздік шараларын анықтаңыз (құралдың өшірілген уақыты және бос жүріс уақытын қоса алғанда, іске қосылу уақыты сияқты барлық жұмыс циклдерін ескеру керек).

## ЕС сәйкестік декларациясы

### Тек Еуропа елдеріне арналған

ЕС сәйкестік декларациясы осы пайдалану жөніндегі нұсқаулықтың А қосымшасы ретінде қосылған.



## Электрлік құралдың жалпы қауіпсіздік ескертулері

**⚠️ЕСКЕРТУ:** Осы электрлік құралмен бірге берілген қауіпсіздік ескертулерін, нұсқауларды, суреттерді және техникалық сипаттамаларды оқып шығыңыз. Төменде берілген барлық нұсқауды орындамаған жағдайда, электр тогының соғуы, өрт шығуы және/немесе ауыр жарақат алуға себеп болуы мүмкін.

## Алдағы уақытта қолдану үшін барлық ескерту мен нұсқауды сақтап қойыңыз.

Ескертулердегі “электрлік құрал” термині қуат көзінен жұмыс істейтін (сымды) электрлік құралды немесе аккумулятормен жұмыс істейтін (сымсыз) электрлік құралды білдіреді.

### Жұмыс аймағындағы қауіпсіздік

1. **Жұмыс аймағы таза әрі жарық болуы керек.** Лас немесе қараңғы аймақтарда жазатайым оқиғалар туындауы мүмкін.
2. **Электрлік құралды айналасында тез тұтанатын сұйықтық, газ немесе шаң сияқты заттардан тұратын жарылыс қаупі бар орталарда пайдаланбаңыз.** Электрлік құралдар шаң немесе газды тұтандыратын электр ұшқындарын шығарады.
3. **Электрлік құралды пайдаланған кезде, балалар және бөгде адамдар алшақ жүруі керек.** Басқа нәрсеге алаңдасаңыз, құралға ие бола алмай қалуыңыз мүмкін.

### Электрлік қауіпсіздік

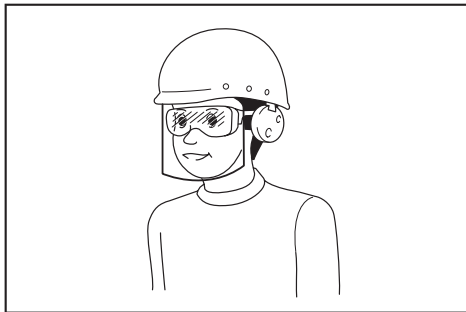
1. **Электрлік құралдың ашасы розеткаға сәйкес келуі керек.** Ашаны ешбір жағдайда өзгертеңіз. Адаптер ашаларын жерге тұйықталған электрлік құралдармен пайдаланбаңыз. Өзгертілмеген ашалар мен сәйкес келетін розеткалар электр тогының соғу қаупін азайтады.
2. **Түтіктер, радиаторлар, жылу батареялары және тоназытқыштар сияқты жерге тұйықталған бұйымдарды ұстамаңыз.** Егер денеңіз жерге тұйықталатын болса, ток соғу қаупі жоғары болады.
3. **Электрлік құралдарды жаңбырдың астына немесе ылғалды жерлерге қоймаңыз.** Электрлік құралға су кіретін болса, ток соғу қаупі артады.
4. **Қуат сымын мұқият пайдаланыңыз.** Электрлік құралды тасу, тарту немесе қуат көзінен ажырату үшін қуат сымын пайдалануға болмайды. Қуат сымына ыстық зат, май, өткір жиек немесе қозғалмалы бөлшектер тимеуі керек. Зақымдалған немесе оралған қуат сымдары ток соғу қаупін арттырады.
5. **Электрлік құралды сыртта пайдаланғанда, сыртта қолдануға жарамды ұзартқышты қолданыңыз.** Сыртта қолдануға жарамды шнурды пайдалану ток соғу қаупін азайтады.

6. **Егер электрлік құралды ылғалды жерде пайдалану керек болса, қорғаныстық ажырату құрылғысын (RCD) пайдаланыңыз.** Қорғаныстық ажырату құрылғысын пайдалану ток соғу қаупін азайтады.
7. **Электр қуатын әрдайым 30 МА немесе одан кем номиналды дифференциалды тогы бар қорғаныстық ажырату құрылғысы (RCB) арқылы пайдалану ұсынылады.**
8. **Электрлік құралдар электрмагниттік өрістер шығарады, ол пайдаланушыға қауіпті емес.** Дегенмен электрокардиостимулятор және соған ұқсас басқа медициналық құрылғылардың пайдаланушылары электрлік құралды пайдаланбас бұрын, өндірушімен және/немесе дәрігермен кеңесуі керек.
9. **Қуат ашасын су қолыңызбен ұстамаңыз.**
10. **Егер сымы зақымдалған болса, қауіптен сақтану үшін оны өндірушіге немесе оның агентіне апарып ауыстырыңыз.**

### Жеке қауіпсіздік

1. **Электрлік құралды пайдаланған кезде, жасап жатқан жұмысыңызға қырағылық танытып, мұқият болыңыз.** Шаршағанда немесе есірткі, алкоголь немесе дәрі-дәрмектің әсерінде болған кезде электрлік құралды пайдаланбаңыз. Электрлік құралды пайдалану кезінде сөл ғана аңсыздық таныту ауыр жарақатқа әкелуі мүмкін.
2. **Жеке қорғаныс құралдарын пайдаланыңыз.** Міндетті түрде қорғаныс көзілдірігін тағыңыз. Шаңнан қорғайтын маска, сырғанамайтын қорғаныс аяқ киімі, каска немесе құлаққап сияқты қорғаныс жабдықтарын тиісті жағдайларда қолдану жарақаттануды азайтады.
3. **Кездейсоқ іске қосудың алдын алыңыз.** Құралды қуат көзіне және/немесе аккумулятор блогына қоспас бұрын, оны жинап немесе тасымалдамас бұрын, ауыстырып-қосқыш өшірулі күйде екеніне көз жеткізіңіз. Саусак электрлік құралдың ауыстырып-қосқышында тұрған кезде оны тасымалдау немесе ауыстырып-қосқышы қосулы электрлік құралды қуат көзіне қосу жазатайым оқиғаға әкел соғуы мүмкін.
4. **Электрлік құралды қоспас бұрын, реттегіш немесе сомынды бұрайтын кілттерді алып тастаңыз.** Электрлік құралдың айналмалы бөлігінде реттегіш немесе сомынды бұрайтын кілт бекітулі қалса, жарақаттауы мүмкін.
5. **Тым артық күш салмаңыз.** Әрдайым тұрақты және тепе-теңдік сақтайтын күйде болыңыз. Бұл күтпеген жағдайда электрлік құралды жақсы басқаруға мүмкіндік береді.
6. **Жұмысқа сай киініңіз.** Бос киім кимеңіз және ешекей тақпаңыз. Шашыңызды және киіміңізді қозғалмалы бөлшектерден алшақ ұстаңыз. Бос киім, әшекейлер немесе ұзын шаш қозғалмалы бөлшектерге ілініп қалуы мүмкін.
7. **Шаң тұту және жинау құрылғылары қамтамасыз етілген болса, олардың қосулы екендігіне және дұрыс қолданылып жатқанына көз жеткізіңіз.** Шаң жинау құрылғысын пайдалану шаңмен байланысты қауіпті азайтуы мүмкін.

8. Құралды жиі пайдалану нәтижесінде босаңсып, қауіпсіздік қағидаларын елеусіз қалдырмаңыз. Салғырттық таныту бір мезетте ауыр жарақатқа әкеп соқтыруы мүмкін.
9. Электрлік құралды пайдаланған кезде көзіңізді жарақаттан алмау үшін міндетті түрде қорғаныс көзілдірігін тағыңыз. Қорғаныс көзілдіріктері АҚШ-та ANSI Z87.1, Еуропада EN 166 немесе Австралияда/Жаңа Зеландияда AS/NZS 1336 қауіпсіздік стандарттарымен сәйкес келуі керек. Австралияда/Жаңа Зеландияда бетіңізді қорғау үшін қорғаныс маскасын кию заң негізінде талап етіледі.



Құрал пайдаланушылары мен жұмыс аймағындағы басқа да тұлғалардың тиісті қауіпсіздік қорғаныс жабдықтарын пайдалануын қамтамасыз ету жұмыс берушінің жауапкершілігінде.

Электрлік құралды пайдалану және күтім жасау

1. Электрлік құралға артық күш түсірмеңіз. Орындалатын жұмысқа сәйкес келетін электрлік құралды пайдаланыңыз. Дұрыс таңдалған электрлік құрал өзіне жүктелген жұмысты жақсы және қауіпсіз істейді.
2. Ауыстырып-қосқышы ақаулы электрлік құралды пайдаланбаңыз. Ауыстырып-қосқышы ақаулы кез келген электрлік құрал қауіп көндіреді және оны жөндеу керек.
3. Кез келген реттеулер жасамас бұрын, керек-жарақтарды ауыстырмас бұрын немесе электрлік құралдарды ұзақ уақытқа сақтамас бұрын, ашаны қуат көзінен ажыратыңыз және/немесе аккумулятор блогы бар болса, оны шығарып алыңыз. Осындай алдын алу шаралары электрлік құралдың кездейсоқ іске қосылу қаупін азайтады.
4. Электрлік құралдарды балалардың қолы жетпейтін жерде сақтаңыз, сонымен қатар электрлік құралмен жұмыс істей алмайтын және осы нұсқауларды оқымаған тұлғаларға құралды пайдалануға рұқсат етпеңіз. Арнайы оқытудан өтпеген пайдаланушылар үшін электрлік құрал қауіп төндіреді.
5. Электр құралдарына және керек-жарақтарға техникалық қызмет көрсетіңіз. Қозғалмалы бөлшектердің ауытқуы және оралуы, зақымдалған бөлшектер және электрлік құралдың жұмысына көрі есер ететін басқа жағдайлардың бар-жоғын тексеріңіз. Зақымы болса, электрлік құралды жөндеген соң бірақ пайдаланыңыз. Жазатайым оқиғалардың көбі электрлік құралдарға дұрыс техникалық қызмет көрсетілмеу себебінен болады.

6. Кесу құралдары өткір және таза болуы керек. Кескіш жиектері өткір кесу құралдарын дұрыс пайдалансаңыз, олар тұрып қалмайды және сол себепті оларды басқару да оңайырақ етеді.
7. Электрлік құралды, керек-жарақтарды және қондырмаларды, т.б. жұмыс жағдайы мен орындалатын жұмысты ескере отырып, осы нұсқауларға сәйкес пайдаланыңыз. Электрлік құралды басқа мақсатта пайдаланған жағдайда, қауіпті жағдай туындауы мүмкін.
8. Тұтқалардың және жұмыс орындалатын беттердің құрғақ, таза және майлы болмауын қамтамасыз етіңіз. Тұтқалар және қолмен ұстайтын беттер тайғақ болса, құтпеген жағдай орын алғанда, құралды пайдалану және оған ие болу мүмкін болмайды.
9. Электрлік құралды пайдаланған кезде, ішіне тартылу матадан жасалған қорғаныс қолғабын кимеңіз. Матадан жасалған қорғаныс қолғаптар қозғалмалы бөлшектерге ілініп қалса, жарақаттауы мүмкін.

Қызмет көрсету

1. Электрлік құралға қызмет көрсетуді тек қаа жөндеу бойынша білікті аман тиісті қосалқы бөлшектерді пайдаланып жүзеге асыруы қажет. Бұл электрлік құралдың қауіпсіздігін қамтамасыз етеді.
2. Керек-жарақтарды майлау және ауыстыру нұсқауын орындаңыз.

## Бұрама шегені бұрағыш қауіпсіздігі бойынша ескертулер

1. Жұмыс істеп жатқанда, бекіткіш жасырын сымға немесе өз шнұрына тиіп кетуі мүмкін болса, электрлік құралды оқшауланған арнайы қысқыштармен ұстаңыз. Бекіткіш кернеулі сымға тиіп кетсе, электрлік құралдың ашық металл бөлшектерінде кернеу пайда болады, нәтижесінде операторды ток соғуы мүмкін.
2. Әрдайым тұрақты жерде тұрғаныңызға көз жеткізіңіз. Құралды биіктікте пайдаланған кезде, төменгі жақта адамдардың жоқ екеніне көз жеткі.
3. Құралды мықтап ұстаңыз.
4. Қолыңызды айналмалы бөлшектерге жақындатпаңыз.
5. Ұштықты немесе өңдеу бөлшегін пайдаланғаннан кейін бірден ұстауға болмайды. Олар өте ыстық болып, теріні күйдіруі мүмкін.
6. Өңдеу бөлшегін әрқашан қысқышта немесе соған ұқсас ұстап тұратын құрылғымен бекітіңіз.

## ОСЫ НҰСҚАУЛАРДЫ САҚТАҢЫЗ.

**⚠️ЕСКЕРТУ:** Бұл өнімді әбден пайдаланып үйренген (қайта-қайта пайдаланғанның нәтижесінде) болсаңыз да және сізге қолайсыздық тудырса да, осы өнімді қолдану кезінде қауіпсіздік техникасы ережелерін қатаң түрде сақтау қажет.

Осы пайдалану жөніндегі нұсқаулықта келтірілген қауіпсіздік ережелерін **ДҰРЫС ПАЙДАЛАНБАУ** немесе орындамау ауыр жарақаттарға әкеп соқтыруы мүмкін.

## ФУНКЦИОНАЛДЫҚ СИПАТТАМАСЫ

### ⚠️САҚ БОЛЫҢЫЗ:

- Құралдың жұмысын реттемес және тексермес бұрын, әрдайым құралдың өшірулі екендігіне және ажыратылғандығына көз жеткізіңіз.

### Тереңдікті реттеу

#### FS4000, FS4200, FS4300, FS6200, FS6300, FS6300R үлгілері үшін

► **Сурет1:** 1. Тоқтатқыш сақина

Тереңдік тоқтатқыш сақинаны бұрау арқылы реттеледі. Оны аз тереңдік үшін "В" бағытына, ал көбірек тереңдік үшін "А" бағытына бұраңыз. Тоқтатқыш сақинаның бір толық бұралуы тереңдіктің 2,0 мм-ге өзгеруіне тең.

#### FS4000X, FS4300X, FS6300X үлгілері үшін

► **Сурет2:** 1. Құлыптау жалғастырғышы

Тереңдік құлыптау жалғастырғышын бұрау арқылы реттеледі. Оны аз тереңдік үшін "А" бағытына, ал көбірек тереңдік үшін "В" бағытына бұраңыз. Құлыптау жалғастырғышының бір толық бұралуы тереңдіктің 1,5 мм-ге өзгеруіне тең.

### барлық үлгілер үшін

Тоқтатқыш сақинаны тірек пен бұранда бастиегінің арақашықтығы суретте көрсетілгендей шамамен 1 мм болатындай етіп реттеңіз. Материалға немесе қосымша материал бөлігіне сынама бұранданы бұрғылаңыз. Егер тереңдік әлі де бұранда сыятындай болмаса, қажетті тереңдікті орнатқанға дейін реттеуді жалғастырыңыз.

► **Сурет3:** 1. Тірек

► **Сурет4:** 1. Тірек

### Ауыстырып-қосқыштың әрекеті

► **Сурет5:** 1. Ауыстырып-қосқыш шүріппесі  
2. Құлыптау түймесі

### ⚠️САҚ БОЛЫҢЫЗ:

- Құралды қоспас бұрын, әрдайым ауыстырып-қосқыш шүріппесінің дұрыс жұмыс істеп тұрғанына және босатылған кезде "ӨШІРУЛІ" күйіне қайтарылатынына әрқашан көз жеткізіп тұрыңыз.

Құралды іске қосу үшін, ауыстырып-қосқыш шүріппесін жай басыңыз. Құралдың жылдамдығы ауыстырып-қосқыш шүріппесіндегі қысымды арттырған сайын артады. Тоқтату үшін ауыстырып-қосқыш шүріппесін жіберіңіз. Үздіксіз жұмыс істеу үшін ауыстырып-қосқыш шүріппесін тартып, құлыптау түймесін басыңыз. Құралды құлыпталған күйден шығару үшін, ауыстырып-қосқыш шүріппесін толығымен тартып, босатыңыз.

### ЕСКЕРТПЕ:

- Құрал қосылып, мотор жұмыс істеп тұрса да, ұштық ұшын бұранда бастиегіне орнатып, қысқыны іске қосу үшін оны алға қарай жылжытпағанға дейін ұштық айналмайды.

### Шамдарды жағу

#### FS4200, FS4300, FS4300X, FS6200, FS6300, FS6300R, FS6300X үлгілері үшін

► **Сурет6:** 1. Шам

### ⚠️САҚ БОЛЫҢЫЗ:

- Шамға немесе шам көзіне тікелей қарамаңыз.

Шамды жағу үшін, шүріппені тартыңыз. Сөндіру үшін, шүріппені жіберіңіз.

### ЕСКЕРТПЕ:

- Шамның линзасын тазалау үшін құрғақ шуберекті пайдаланыңыз. Шамның линзасын сызып алмаңыз немесе ол жарықтандыруды төмендетуі мүмкін.

### Ауыстырып-қосқыш жұмыс бағытын кері айналдыру

► **Сурет7:** 1. Кері айналдыру ауыстырып-қосқыш тетігі

### ⚠️САҚ БОЛЫҢЫЗ:

- Жұмыс алдында әрдайым айналым бағытын тексеріңіз.
- Кері айналдыру ауыстырып-қосқышын құрал толығымен тоқтағаннан кейін ғана қолданыңыз. Құрал тоқтамас бұрын айналым бағытын өзгерту құралдың зақымдалуына әкелуі мүмкін.

Бұл құралда айналым бағытын өзгерту үшін кері айналдыру ауыстырып-қосқышы бар. Реверсивті ауыстырып-қосқыш тетігі сағат тілімен айналу үшін ⇐ күйіне (А жағы) немесе сағат тіліне қарсы айналу үшін ⇒ күйіне (В жағы) жылжытыңыз.

### Ілмек

► **Сурет8:** 1. Ілмек

Ілмек құралды уақытша іліп қоюға ыңғайлы.

## ҚҰРАСТЫРУ

### ▲САҚ БОЛЫҢИЗ:

- Құралмен жұмыс істемес бұрын, әрдайым құралдың өшірулі екендігіне және ажыратылғандығына көз жеткізіңіз.

## Қашауды орнату және алып тастау

### FS4000, FS4200, FS4300, FS6200, FS6300, FS6300R үлгілері үшін

Ұштықты шығарып алу үшін, бірінші, тоқтатқыш сақинаны беріліс корпусынан тарту арылы тіректі шығарып алыңыз.

► **Сурет9:** 1. Тоқтатқыш сақина 2. Беріліс корпусы

Ұштықты қысқыштармен ұстаңыз да, магнитті ұштық ұстағышынан тартып шығарыңыз. Кейде бұл ұштықты қысқыштармен тартқан кезде оны қозғалтуға көмектеседі.

Ұштықты орнату үшін, оны магнитті ұштық ұстағышқа қаттырақ басыңыз. Содан кейін тіректі беріліс корпусына қаттырақ басу арқылы орнатыңыз.

► **Сурет10:** 1. Тірек 2. Ұштық 3. Беріліс корпусы  
4. Магнитті ұштық ұстағыш

### FS4000X, FS4300X, FS6300X үлгілері үшін

Ұштықты шығарып алу үшін, бірінші, тіректі құлыптау жалғастырғышынан тартып шығарыңыз. Содан кейін, ұштықты қысқыштармен ұстаңыз да, магнитті ұштық ұстағышынан тартып алыңыз. Кейде бұл ұштықты қысқыштармен тартқан кезде оны қозғалтуға көмектеседі.

► **Сурет11:** 1. Тірек 2. Құлыптау жалғастырғышы

Ұштықты орнату үшін, оны магнитті ұштық ұстағышқа қаттырақ басыңыз. Содан кейін, тіректі құлыптау жалғастырғышына қаттырақ басу арқылы орнатыңыз.

► **Сурет12:** 1. Тірек 2. Ұштық 3. Магнитті ұштық ұстағыш

## Қозғалмалы сым адаптерін орнату

### FS6300R үлгісі үшін

► **Сурет13**

Қозғалмалы сым адаптерін нық орныққанша және оның қуат көзі сымына байланысқан жеріндегі ұшының  $\Delta$  белгісі қозғалмалы сым адаптерінің құралға байланысқан жеріндегі екінші ұшының  $\ominus$  белгісіне тураланғанша орнатыңыз. Қозғалмалы сым адаптерін құлыптау түймесімен тоқтатылғанша бұраңыз.

► **Сурет14:** 1. Құлыптау түймесі

Осы уақытта қозғалмалы сым адаптерінің қуат көзі сымына байланысқан жеріндегі ұшының  $\Delta$  белгісі қозғалмалы сым адаптерінің құралға байланысқан жеріндегі екінші ұшының  $\ominus$  белгісіне тураланады.

► **Сурет15**

## Қозғалмалы сым адаптерін шығарып алу

► **Сурет16:** 1. Құлыптау түймесі

Құлыптау түймесінің төменгі бөлігін басу кезінде қозғалмалы сым адаптерін тоқтағанша сағат тіліне қарсы бағытта айналдырыңыз.

Содан кейін, қозғалмалы сым адаптерін сол күйде тартыңыз.

► **Сурет17**

## Тірек ұстағышын пайдалану

► **Сурет18:** 1. Дөңес жерлер 2. Трапеция пішініндегі саңылаулар 3. Тірек ұстағыш

Тірек ұштықты ауыстыру немесе оны тірексіз пайдалану кезінде тірек ұстағышта уақытша ұсталады. Орынды анықтау құралын ұстау үшін ұстағышының дөңес жерлеріндегі трапеция пішініндегі саңылауларды орналастырып, құралды итеріңіз.

## ПАЙДАЛАНУ

► **Сурет19**

Ұштық ұшындағы бұранданы туралап, бұранда ұшын бекітілетін өңдеу бөлшегінің бетіне орналастырыңыз. Құралға қысым қолданып, іске қосыңыз. Ілініс қосылған кезде, құралды дереу шығарыңыз. Содан кейін ауыстырып-қосқыш шүріппесін босатыңыз.

### ▲САҚ БОЛЫҢИЗ:

- Бұранданы ұштықтың ұшына бекіту кезінде, бұранданы баспау үшін абай болыңыз. Бұранданы басқан жағдайда, ілініс қосылып, бұранда кенеттен айналып кетеді. Бұл өңдеу бөлшегін зақымдайды немесе жарақат алуға себеп болуы мүмкін.
- Ұштықтың ұшы тікелей бұранда бастиегіне салынғанына көз жеткізіңіз, әйтпесе бұранда және/немесе ұштығы зақымдалуы мүмкін.
- Жұмысты орындау барысында құралды тек тұтқасынан ұстаңыз. Металл бөлшегіне қол тигізбеңіз.

## ТЕХНИКАЛЫҚ ҚЫЗМЕТ КӨРСЕТУ

### ▲САҚ БОЛЫҢИЗ:

- Тексеру немесе техникалық қызмет көрсету жұмыстарын жүргізбес бұрын, әрдайым құралдың өшірулі екендігіне және токтан ажыратылғанына көз жеткізіңіз.
- Жанармайды, бензинді, сұйылтқышты, спиртті немесе соған ұқсас заттарды ешқашан пайдаланбаңыз. Нәтижесінде түссіздену, бұліну немесе жарықтар пайда болуы мүмкін.

Әнімнің ҚАУІПСІЗДІГІ мен СЕНІМДІЛІГІН қамтамасыз ету үшін жөндеу жұмыстары, графитті қылшақты тексеру және алмастыру, кез келген басқа техникалық қызмет көрсету немесе реттеу жұмыстары Makita компаниясының өкілетті қызмет көрсету орталықтары тарапынан (Makita қосалқы бөлшектерін қолдана отырып) орындалуы керек.

## ҚОСЫМША КЕРЕК-ЖАРАҚТАР

### **▲САҚ БОЛЫҢЫЗ:**

- Бұл керек-жарақтар мен қондырмаларды осы нұсқаулықта көрсетілген Makita құралымен бірге пайдаланған дұрыс. Басқа керек-жарақтар мен қондырмаларды пайдалану адамдардың жарақаттануына әкелуі мүмкін. Керек-жарақты немесе саптаманы тек мақсатына сәйкес қолданыңыз.

Осы керек-жарақтар туралы қосымша мәлімет алу үшін, жергілікті Makita қызмет көрсету орталығына хабарласыңыз.

- Phillips енгізу ұштықтары
- Магнитті ұштық ұстағыш
- Тірек
- Пластикалық тасымалдау кейсі

### **ЕСКЕРТПЕ:**

- Тізімдегі кейбір элементтер стандартты керек-жарақтар ретінде құралдың қаптамасында болуы мүмкін. Олар елге байланысты әртүрлі болуы мүмкін.





**Makita Europe N.V.** Jan-Baptist Vinkstraat 2,  
3070 Kortenberg, Belgium

**Makita Corporation** 3-11-8, Sumiyoshi-cho,  
Anjo, Aichi 446-8502 Japan

[www.makita.com](http://www.makita.com)

|                                      |
|--------------------------------------|
| 884894-782<br>EN, RU, KK<br>20181130 |
|--------------------------------------|