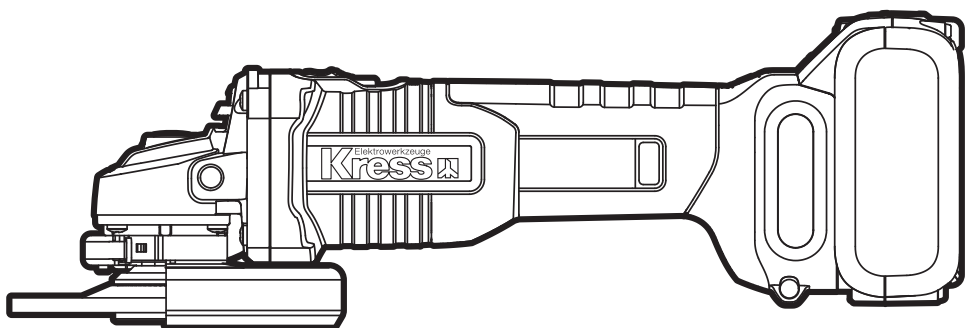


Elektrowerkzeuge  
**Kress**



Lithium-Ion Brushless Angle Grinder

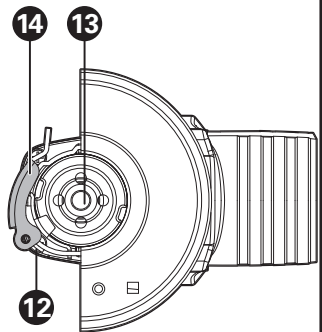
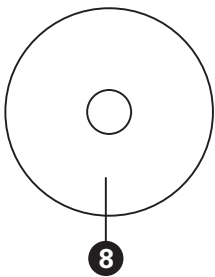
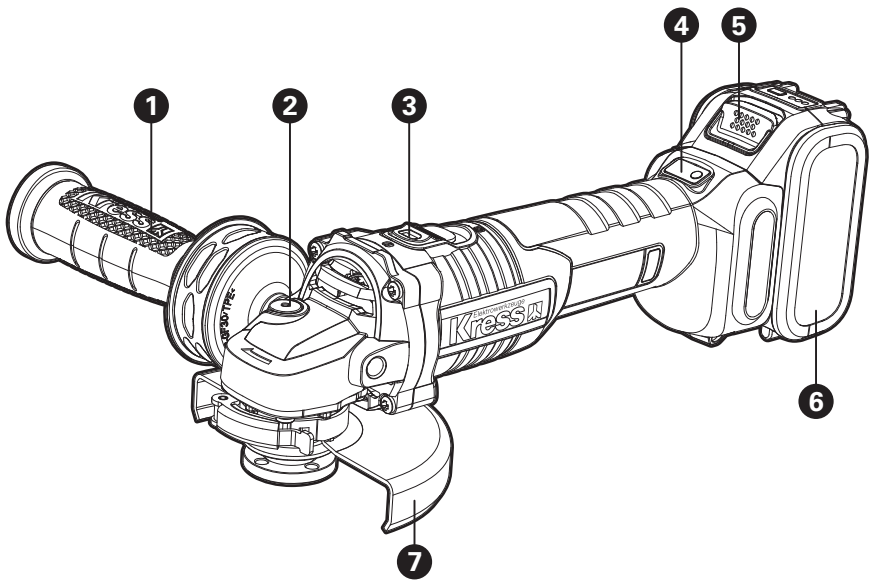
EN P06

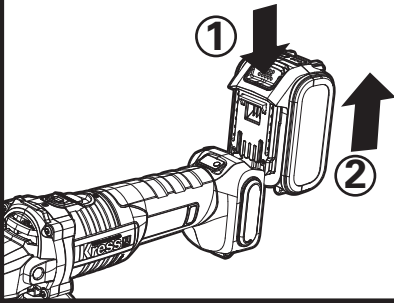
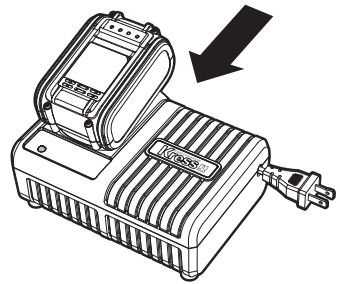
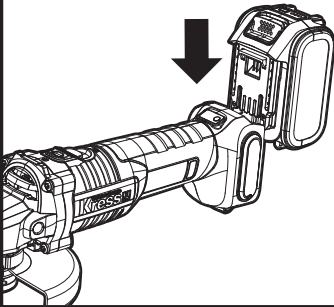
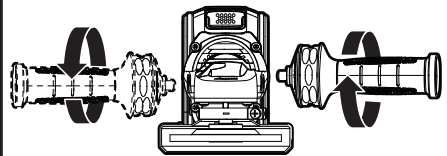
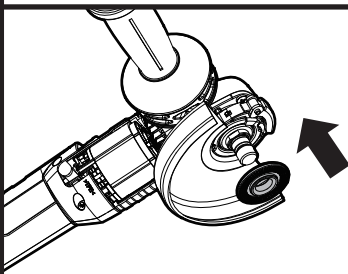
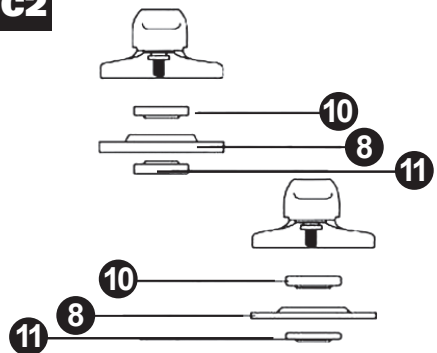
Бесщеточная угловая шлифовальная машина с  
литий-ионным аккумулятором

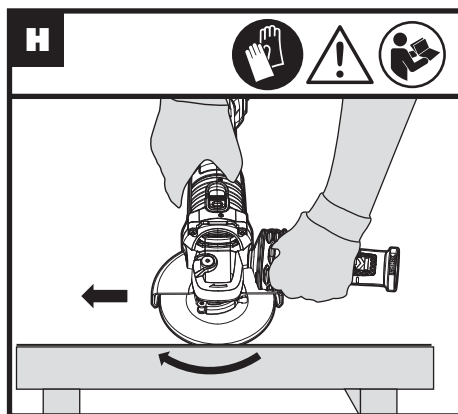
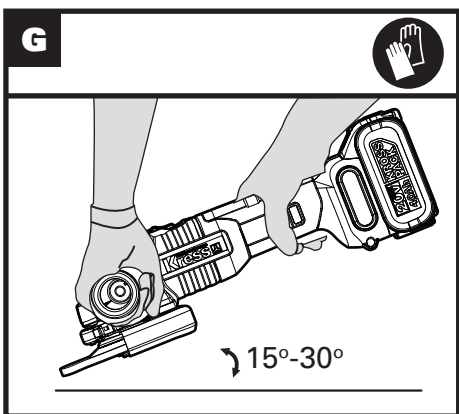
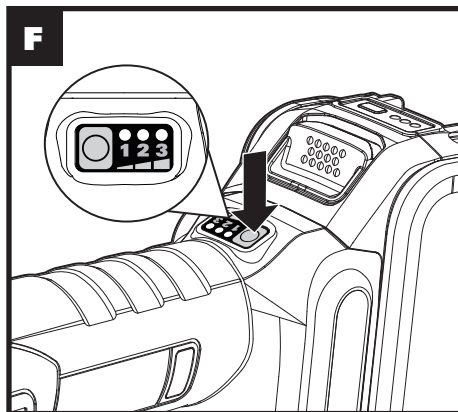
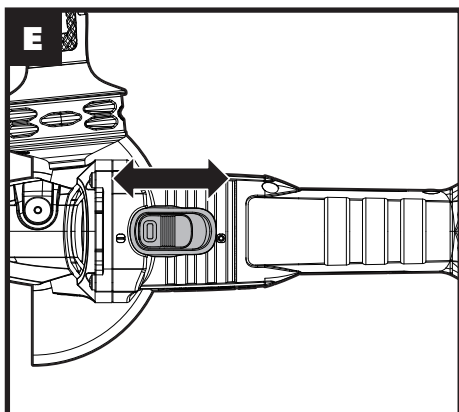
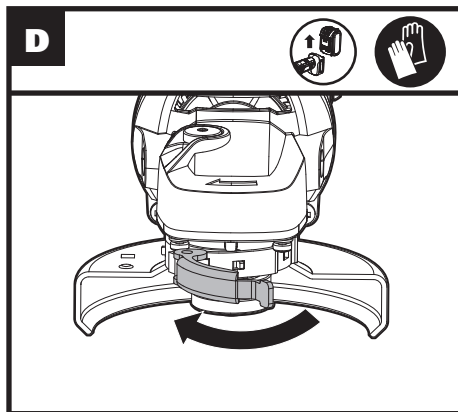
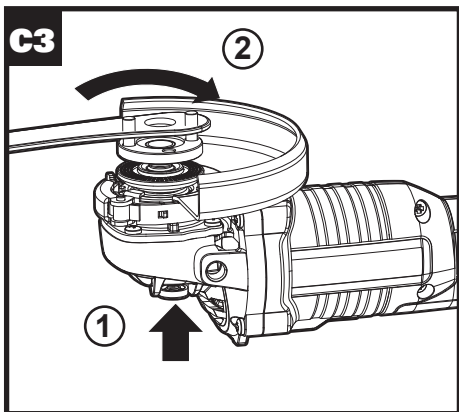
RU P12

**KU801 KU801.9**






**A1****A2****A3****B****C1****C2**



# PRODUCT SAFETY

## GENERAL POWER TOOL

### SAFETY WARNINGS

 **WARNING** Read all safety warnings and all instructions. Failure to follow the warnings and instructions may result in electric shock, fire and/or serious injury.

**Save all warnings and instructions for future reference.**

The term "power tool" in the warnings refers to your mains-operated (corded) power tool or battery-operated (cordless) power tool.

#### 1) Work area safety

- a) **Keep work area clean and well lit.** Cluttered or dark areas invite accidents.
- b) **Do not operate power tools in explosive atmospheres, such as in the presence of flammable liquids, gases or dust.** Power tools create sparks which may ignite the dust or fumes.
- c) **Keep children and bystanders away while operating a power tool.** Distractions can cause you to lose control.

#### 2) Electrical safety

- a) **Power tool plugs must match the outlet. Never modify the plug in any way. Do not use any adapter plugs with earthed (grounded) power tools.** Unmodified plugs and matching outlets will reduce risk of electric shock.
- b) **Avoid body contact with earthed or grounded surfaces, such as pipes, radiators, ranges and refrigerators.** There is an increased risk of electric shock if your body is earthed or grounded.
- c) **Do not expose power tools to rain or wet conditions.** Water entering a power tool will increase the risk of electric shock.
- d) **Do not abuse the cord. Never use the cord for carrying, pulling or unplugging the power tool. Keep cord away from heat, oil, sharp edges or moving parts.** Damaged or entangled cords increase the risk of electric shock.
- e) **When operating a power tool outdoors, use an extension cord suitable for outdoor use.** Use of a cord suitable for outdoor use reduces the risk of electric shock.
- f) **If operating a power tool in a damp location is unavoidable, use a residual current device (RCD) protected supply.** Use of an RCD reduces the risk of electric shock.

#### 3) Personal safety

- a) **Stay alert, watch what you are doing and use common sense when operating a power tool. Do not use a power tool while you are tired or under the influence of drugs, alcohol or medication.** A moment of inattention while operating power tools may result in serious personal injury.
- b) **Use personal protective equipment. Always wear eye protection.** Protective equipment such as dust mask, non-skid safety shoes, hard

hat, or hearing protection used for appropriate conditions will reduce personal injuries.

- c) **Prevent unintentional starting. Ensure the switch is in the off-position before connecting to power source and/or battery pack, picking up or carrying the tool.** Carrying power tools with your finger on the switch or energising power tools that have the switch on invites accidents.
  - d) **Remove any adjusting key or wrench before turning the power tool on.** A wrench or a key left attached to a rotating part of the power tool may result in personal injury.
  - e) **Do not overreach. Keep proper footing and balance at all times.** This enables better control of the power tool in unexpected situations.
  - f) **Dress properly. Do not wear loose clothing or jewellery. Keep your hair and clothing away from moving parts.** Loose clothes, jewellery or long hair can be caught in moving parts.
  - g) **If devices are provided for the connection of dust extraction and collection facilities, ensure these are connected and properly used.** Use of dust collection can reduce dust-related hazards.
- #### 4) Power tool use and care
- a) **Do not force the power tool. Use the correct power tool for your application.** The correct power tool will do the job better and safer at the rate for which it was designed.
  - b) **Do not use the power tool if the switch does not turn it on and off.** Any power tool that cannot be controlled with the switch is dangerous and must be repaired.
  - c) **Disconnect the plug from the power source and/or remove the battery pack, if detachable, from the power tool before making any adjustments, changing accessories, or storing power tools.** Such preventive safety measures reduce the risk of starting the power tool accidentally.
  - d) **Store idle power tools out of the reach of children and do not allow persons unfamiliar with the power tool or these instructions to operate the power tool.** Power tools are dangerous in the hands of untrained users.
  - e) **Maintain power tools and accessories. Check for misalignment or binding of moving parts, breakage of parts and any other condition that may affect the power tool's operation. If damaged, have the power tool repaired before use.** Many accidents are caused by poorly maintained power tools.
  - f) **Keep cutting tools sharp and clean.** Properly maintained cutting tools with sharp cutting edges are less likely to bind and are easier to control.
  - g) **Use the power tool, accessories and tool bits etc. in accordance with these instructions, taking into account the working conditions and the work to be performed.** Use of the power tool for operations different from those intended could result in a hazardous situation.

- 5) Battery tool use and care**
- a) **Recharge only with the charger specified by the manufacturer.** *A charger that is suitable for one type of battery pack may create a risk of fire when used with another battery pack.*
  - b) **Use power tools only with specifically designated battery packs.** *Use of any other battery packs may create a risk of injury and fire.*
  - c) **When battery pack is not in use, keep it away from other metal objects, like paper clips, coins, keys, nails, screws or other small metal objects, that can make a connection from one terminal to another.** *Shorting the battery terminals together may cause burns or a fire.*
  - d) **Under abusive conditions, liquid may be ejected from the battery; avoid contact. If contact accidentally occurs, flush with water. If liquid contacts eyes, additionally seek medical help.** *Liquid ejected from the battery may cause irritation or burns.*
- 6) Service**
- a) **Have your power tool serviced by a qualified repair person using only identical replacement parts.** *This will ensure that the safety of the power tool is maintained.*

## SAFETY INSTRUCTIONS FOR ALL OPERATIONS

Safety Warnings Common for Grinding or Abrasive Cutting-Off Operations:

- a) **This power tool is intended to function as a grinder or cut-off tool. Read all safety warnings, instructions, illustrations and specifications provided with this power tool.** *Failure to follow all instructions listed below may result in electric shock, fire and/or serious injury.*
- b) **Operations such as sanding, wire brushing, polishing are not recommended to be performed with this power tool.** *Operations for which the power tool was not designed may create a hazard and cause personal injury.*
- c) **Do not use accessories which are not specifically designed and recommended by the tool manufacturer.** *Just because the accessory can be attached to your power tool, it does not assure safe operation.*
- d) **The rated speed of the accessory must be at least equal to the maximum speed marked on the power tool.** *Accessories running faster than their rated speed can break and fly apart.*
- e) **The outside diameter and the thickness of your accessory must be within the capacity rating of your power tool.** *Incorrectly sized accessories cannot be adequately guarded or controlled.*
- f) **Threaded mounting of accessories must match the grinder spindle thread. For accessories mounted by flanges, the arbour hole of the accessory must fit the locating diameter of the flange.** *Accessories that do not*

*match the mounting hardware of the power tool will run out of balance, vibrate excessively and may cause loss of control.*

- g) **Do not use a damaged accessory. Before each use inspect the accessory such as abrasive wheels for chips and cracks, backing pad for cracks, tear or excess wear, wire brush for loose or cracked wires. If power tool or accessory is dropped, inspect for damage or install an undamaged accessory. After inspecting and installing an accessory, position yourself and bystanders away from the plane of the rotating accessory and run the power tool at maximum no-load speed for one minute.** *Damaged accessories will normally break apart during this test time.*
- h) **Wear personal protective equipment. Depending on application, use face shield, safety goggles or safety glasses. As appropriate, wear dust mask, hearing protectors, gloves and workshop apron capable of stopping small abrasive or workpiece fragments.** *The eye protection must be capable of stopping flying debris generated by various operations. The dust mask or respirator must be capable of filtrating particles generated by your operation. Prolonged exposure to high intensity noise may cause hearing loss.*
- i) **Keep bystanders a safe distance away from work area. Anyone entering the work area must wear personal protective equipment.** *Fragments of workpiece or of a broken accessory may fly away and cause injury beyond immediate area of operation.*
- j) **Hold the power tool by insulated gripping surfaces only, when performing an operation where the cutting tool may contact hidden wiring. Contact with a "live" wire will also make exposed metal parts of the power tool "live" and could give the operator an electric shock.**
- k) **Never lay the power tool down until the accessory has come to a complete stop.** *The spinning accessory may grab the surface and pull the power tool out of your control.*
- l) **Do not run the power tool while carrying it at your side.** *Accidental contact with the spinning accessory could snag your clothing, pulling the accessory into your body.*
- m) **Regularly clean the power tool's air vents.** *The motor's fan will draw the dust inside the housing and excessive accumulation of powdered metal may cause electrical hazards.*
- n) **Do not operate the power tool near flammable materials.** *Sparks could ignite these materials.*
- o) **Do not use accessories that require liquid coolants.** *Using water or other liquid coolants may result in electrocution or shock.*

# FURTHER SAFETY INSTRUCTIONS FOR ALL OPERATIONS

## Kickback and Related Warnings

Kickback is a sudden reaction to a pinched or snagged rotating wheel, backing pad, brush or any other accessory. Pinching or snagging causes rapid stalling of the rotating accessory which in turn causes the uncontrolled power tool to be forced in the direction opposite of the accessory's rotation at the point of the binding.

For example, if an abrasive wheel is snagged or pinched by the workpiece, the edge of the wheel that is entering into the pinch point can dig into the surface of the material causing the wheel to climb out or kick out. The wheel may either jump toward or away from the operator, depending on direction of the wheel's movement at the point of pinching. Abrasive wheels may also break under these conditions. Kickback is the result of power tool misuse and/or incorrect operating procedures or conditions and can be avoided by taking proper precautions as given below.

- a) **Maintain a firm grip on the power tool and position your body and arm to allow you to resist kickback forces. Always use auxiliary handle, if provided, for maximum control over kickback or torque reaction during start-up.** *The operator can control torque reactions or kickback forces, if proper precautions are taken.*
- b) **Never place your hand near the rotating accessory.** *Accessory may kickback over your hand.*
- c) **Do not position your body in the area where power tool will move if kickback occurs.** *Kickback will propel the tool in direction opposite to the wheel's movement at the point of snagging.*
- d) **Use special care when working corners, sharp edges etc. Avoid bouncing and snagging the accessory.** *Corners, sharp edges or bouncing have a tendency to snag the rotating accessory and cause loss of control or kickback.*
- e) **Do not attach a saw chain woodcarving blade or toothed saw blade.** *Such blades create frequent kickback and loss of control.*

## SAFETY WARNINGS SPECIFIC FOR GRINDING AND ABRASIVE CUTTING-OFF OPERATIONS:

- a) **Use only wheel types that are recommended for your power tool and the specific guard designed for the selected wheel.** *Wheels for which the power tool was not designed cannot be adequately guarded and are unsafe*
- b) **The grinding surface of centre depressed wheels must be mounted below the plane of the guard lip.** *An improperly mounted wheel that projects through the plane of the guard lip*

*cannot be adequately protected.*

- c) **The guard must be securely attached to the power tool and positioned for maximum safety, so the least amount of wheel is exposed towards the operator.** *The guard helps to protect the operator from broken wheel fragments, accidental contact with wheel and sparks that could ignite clothing.*
- d) **Wheels must be used only for recommended applications. For example: do not grind with the side of cut-off wheel.** *Abrasive cut-off wheels are intended for peripheral grinding, side forces applied to these wheels may cause them to shatter.*
- e) **Always use undamaged wheel flanges that are of correct size and shape for your selected wheel.** *Proper wheel flanges support the wheel thus reducing the possibility of wheel breakage. Flanges for cut-off wheels may be different from grinding wheel flanges.*
- f) **Do not use worn down wheels from larger power tools.** *Wheel intended for larger power tool is not suitable for the higher speed of a smaller tool and may burst.*

## ADDITIONAL SAFETY WARNINGS SPECIFIC FOR ABRASIVE CUTTING-OFF OPERATIONS:

- a) **Do not "jam" the cut-off wheel or apply excessive pressure. Do not attempt to make an excessive depth of cut.** *Overstressing the wheel increases the loading and susceptibility to twisting or binding of the wheel in the cut and the possibility of kickback or wheel breakage.*
- b) **Do not position your body in line with and behind the rotating wheel.** *When the wheel, at the point of operation, is moving away from your body, the possible kickback may propel the spinning wheel and the power tool directly at you.*
- c) **When wheel is binding or when interrupting a cut for any reason, switch off the power tool and hold the power tool motionless until the wheel comes to a complete stop. Never attempt to remove the cut-off wheel from the cut while the wheel is in motion otherwise kickback may occur.** *Investigate and take corrective action to eliminate the cause of wheel binding.*
- d) **Do not restart the cutting operation in the workpiece. Let the wheel reach full speed and carefully re-enter the cut.** *The wheel may bind, walk up or kickback if the power tool is restarted in the workpiece.*
- e) **Support panels or any oversized workpiece to minimize the risk of wheel pinching and kickback.** *Large workpieces tend to sag under their own weight. Supports must be placed under the workpiece near the line of cut and near the edge of the workpiece on both sides of the wheel.*
- f) **Use extra caution when making a "pocket cut" into existing walls or other blind areas.**














The protruding wheel may cut gas or water pipes, electrical wiring or objects that can cause kickback.

- v) **Observe the plus (+) and minus (-) marks on the battery and ensure correct use.**

## SAFETY WARNINGS FOR BATTERY PACK

- a) **Do not dismantle, open or shred cells or battery pack.**
- b) **Do not short-circuit a battery pack. Do not store battery packs haphazardly in a box or drawer where they may short-circuit each other or be short-circuited by conductive materials.** When battery pack is not in use, keep it away from other metal objects, like paper clips, coins, keys, nails, screws or other small metal objects, that can make a connection from one terminal to another. Shorting the battery terminals together may cause burns or a fire.
- c) **Do not expose battery pack to heat or fire. Avoid storage in direct sunlight.**
- d) **Do not subject battery pack to mechanical shock.**
- e) **In the event of battery leaking, do not allow the liquid to come into contact with the skin or eyes. If contact has been made, wash the affected area with copious amounts of water and seek medical advice.**
- f) **Seek medical advice immediately if a cell or battery pack has been swallowed.**
- g) **Keep battery pack clean and dry.**
- h) **Wipe the battery pack terminals with a clean dry cloth if they become dirty.**
- i) **Battery pack needs to be charged before use. Always refer to this instruction and use the correct charging procedure.**
- j) **Do not maintain battery pack on charge when not in use.**
- k) **After extended periods of storage, it may be necessary to charge and discharge the battery pack several times to obtain maximum performance.**
- l) **Battery pack gives its best performance when it is operated at normal room temperature (20 °C ± 5 °C).**
- m) **When disposing of battery packs, keep battery packs of different electrochemical systems separate from each other.**
- n) **Recharge only with the charger specified by Kress. Do not use any charger other than that specifically provided for use with the equipment.** *A charger that is suitable for one type of battery pack may create a risk of fire when used with another battery pack.*
- o) **Do not use any battery pack which is not designed for use with the equipment.**
- p) **Keep battery pack out of the reach of children.**
- q) **Retain the original product literature for future reference.**
- r) **Remove the battery from the equipment when not in use.**
- s) **Dispose of properly.**
- t) **Do not mix cells of different manufacture, capacity, size or type within a device.**
- u) **Do not remove battery pack from its**

## SYMBOL


	To reduce the risk of injury, user must read instruction manual
	Warning
	Wear ear protection
	Wear eye protection
	Wear dust mask
	Batteries may enter water cycle if disposed improperly, which can be hazardous for ecosystem. Do not dispose of waste batteries as unsorted municipal waste.
	Do not burn
 Li-Ion	Li-Ion battery. This product has been marked with a symbol relating to 'separate collection' for all battery packs and battery pack. It will then be recycled or dismantled in order to reduce the impact on the environment. Battery packs can be hazardous for the environment and for human health since they contain hazardous substances.
 Li-Ion	
	Make sure the battery is removed prior to changing accessories
	Wear protective gloves

# COMPONENT LIST

1. AUXILIARY HANDLE
2. SPINDLE LOCK BUTTON
3. ON/OFF SWITCH
4. VARIABLE SPEED CONTROL
5. BATTERY PACK RELEASE BUTTON
6. BATTERY PACK\*
7. WHEEL GUARD FOR GRINDING
8. DISC \*
9. SPANNER
10. INNER FLANGE
11. OUTER FLANGE
12. CLAMP ADJUSTMENT NUT
13. SPINDLE
14. GUARD CLAMPING LEVER

\* Not all the accessories illustrated or described are included in standard delivery.

## TECHNICAL DATA

	KU801	KU801.9
Rated voltage	20V 	
No load speed	3500/6000/8500/min	
Disc size	125mm	
Disc bore	22.2mm	
Spindle thread	M14	
Machine weight	2.4kg	1.7kg

## ACCESSORIES

	KU801	KU801.9
Spanner	1	1
Auxiliary handle	1	1
SDS wheel guard	1	1
Battery pack (KA3498)	2	/
Charger (KA3705)	1	/

We recommend that you purchase your accessories listed in the above list from the same store that sold you the tool. Refer to the accessory packaging for further details. Store personnel can assist you and offer advice.

# OPERATING INSTRUCTIONS





**Note:** Before using the tool, read the instruction book carefully.

## INTENDED USE

The machine is intended for cutting, roughing and brushing metal and stone materials without using water. For cutting metal, a special protection guard for cutting (accessory) must be used.

## ASSEMBLY AND OPERATION

ACTION	FIGURE
<b>BEFORE OPERATION</b>	
Removing the battery pack	See Fig. A1
Charging the battery pack	See Fig. A2
Installing the battery pack  <b>WARNING: When replacing the battery pack, do not insert the battery until the Grinding/Cutting Disc comes to a complete stop!</b>	See Fig. A3
<b>ASSEMBLY</b>	
Assembling Auxiliary Handle	See Fig. B
Assembling Grinding/Cutting Disc	See Fig. C1, C2, C3
Adjusting Wheel Guard <b>Note: Before any work on the machine itself, remove the battery pack. For work with grinding or cutting discs, the protection guard must be mounted. Use the correct type of disc for your application. If the power tool is intended to perform cutting off operations, a guard specific for this operation must be fitted.</b> The coded projection on the wheel guard ensures that only a guard that fits the machine type can be mounted. Open the clamping lever. Place the wheel guard with coded projection into the coded groove on the spindle of the machine head and rotate to the required position (working position). To fasten the wheel guard, close the clamping lever. <b>The closed side of the wheel guard must always point to the operator.</b>	See Fig. D

<b>OPERATION</b>	
Using On/Off Switch	See Fig. E
Variable Speed Control	See Fig. F
Hand Grip Areas	See Fig. G
Rough Grinding  <b>Warning! Never use a cutting disc for roughing.</b>	
Cutting	See Fig. H

- correctly located on the flange plate.
- If there is any evidence that the wheel is damaged do not use as the damaged wheel may disintegrate, remove it and replace with a new wheel. Dispose of old wheels sensibly.
- If working on aluminum or a similar soft alloy, the wheel will soon become clogged and will not grind effectively.

## WORKING HINTS FOR YOUR ANGLE GRINDER

- Always start at no load to achieve maximum speed then start working.
- Do not force the disc to work faster, reducing the Disc's moving speed means longer working time.
- Always work with a 15-30 angle between disc and workpiece. Larger angles will cut ridges into the workpiece and affect the surface finish. Move the angle grinder across and back and forth over the workpiece.
- When using a cutting disc never change the cutting angle otherwise you will stall the disc and angle grinder motor or break the disc. When cutting, only cut in the opposite direction to the disc rotation. If you cut in the same direction as the disc rotation the disc may push itself out of the cut slot.
- When cutting very hard material best results can be achieved with a diamond disc.
- When using a diamond disc it will become very hot. If this happens you will see a full ring of sparks around the rotating disc. Stop cutting and allow to cool at no load speed for 2-3 minutes.
- Always ensure the workpiece is firmly held or clamped to prevent movement.

## MAINTENANCE

### Remove the battery before carrying out any adjustment, servicing or maintenance.

There are no user serviceable parts in your power tool. Never use water or chemical cleaners to clean your power tool. Wipe clean with a dry cloth. Always store your power tool in a dry place. Keep the motor ventilation slots clean. Keep all working controls free of dust. Occasionally you may see sparks through the ventilation slots. This is normal and will not damage your power tool.

## TROUBLESHOOTING

Although your new angle grinder is really very simple to operate, if you do experience problems, please check the following:

- If your grinder wheel wobbles or vibrates, check that outer flange is tight; check that the wheel is

# ОБЩИЕ ПРАВИЛА ТЕХНИКИ БЕЗОПАСНОСТИ ПРИ РАБОТЕ С ЭЛЕКТРОИН- СТРУМЕНТОМ



**ПРЕДОСТЕРЕЖЕНИЕ!** Внимательно ознакомьтесь с инструкциями и предостережениями по технике безопасности. Невыполнение всех нижеприведенных инструкций и рекомендаций может привести к поражению электрическим током, пожару и серьезным травмам.

**Сохраните все предостережения и инструкции для дальнейшего пользования.**

В дальнейшем термин “электроинструмент” используется как для работающего от сети (проводного) электроинструмента, так и для электроинструмента, работающего от аккумулятора (беспроводного).

## 1. БЕЗОПАСНОСТЬ НА РАБОЧЕМ МЕСТЕ

- a) **Содержите рабочее место в чистоте и хорошо освещенным.** Загроможденные и плохо освещенные зоны способствуют возникновению несчастных случаев.
- b) **Не работайте с инструментом во взрывоопасной атмосфере, в присутствии воспламеняемых жидкостей, газов или пыли.** Возникающие при работе электроинструмента искры могут привести к воспламенению горючих веществ.
- c) **При работе с инструментом дети и посторонние должны находиться на безопасном расстоянии.** Отвлечение внимания может привести к потере вами контроля.

## 2. ЭЛЕКТРОБЕЗОПАСНОСТЬ

- a) **Штепсельные вилки электроинструментов должны соответствовать розеткам. Никогда никоим образом не изменяйте соединительную вилку. При заземленных электроинструментах не используйте никаких переходников.** Неизменные вилки и соответствующие розетки снижают риск поражения электротоком.
- b) **Избегайте физического контакта с заземленными поверхностями, такими, как трубы, радиаторы, плиты и холодильники.** Риск поражения электротоком повышается, если ваше тело будет заземлено.
- c) **Не подвергайте электроинструменты воздействию дождя или высокой влажности.** Попадание воды в электроинструмент повышает опасность поражения электротоком.
- d) **Правильно обращайтесь с электрокабелем. Никогда не используйте кабель для переноски электроинструмента, а также не тяните**

**за кабель для выключения из розетки. Держите кабель на безопасном расстоянии от источников тепла, масла, острых кромок и движущихся частей.** Поврежденные или запутанные кабели повышают риск поражения электротоком.

- e) **При работе с электроинструментом вне помещений используйте удлинители, которые предназначены для работы на открытом воздухе.** Это снижает риск поражения электротоком.
- f) **При использовании электроинструмента во влажном помещении его необходимо подключать к электросети через устройство защитного отключения (УЗО).** Использование УЗО снижает риск поражения электротоком.

## 3. ЛИЧНАЯ БЕЗОПАСНОСТЬ

- a) **Будьте внимательны: следите за тем, что вы делаете, и руководствуйтесь здравым смыслом, работая с электроинструментом. Не используйте электроинструмент, если вы устали или находитесь под воздействием сильнодействующих средств, алкоголя или медикаментов.** Потеря внимания даже на короткое мгновение при работе с электроинструментом может привести к серьезным травмам.
- b) **Используйте индивидуальные средства защиты. Всегда надевайте средства защиты глаз.** Такие средства защиты, как респиратор, нескользящая защитная обувь, каска или защитные наушники, использующиеся в соответствующих условиях, снижают риск получения травм.
- c) **Предотвращайте случайный запуск электроинструмента. Убедитесь, что выключатель находится в положении “Выключено” перед подключением к электросети и / или аккумуляторной батарее, сборкой или переносом электроинструмента.** Переноска инструмента с пальцем на кнопке пуска или включение в сеть электроинструмента с включенным выключателем способствует несчастному случаю.
- d) **Удаляйте все регулировочные приспособления или гаечные ключи перед включением электроинструмента.** Оставленные на вращающихся деталях электроинструмента, они могут привести к травме.
- e) **Не перенапрягайтесь. Постоянно занимайте устойчивое положение и поддерживайте равновесие.** Это позволяет лучше контролировать электроинструмент в непредвиденных ситуациях.
- f) **Одевайтесь надлежащим образом. Не надевайте свободную одежду или украшения. Держите волосы, одежду и перчатки на расстоянии от движущихся частей.** Свободную одежду, украшения или длинные волосы может затянуть в движущиеся части.

- g) **Используйте предусмотренные средства и устройства для сбора и удаления пыли, если инструмент оснащен таковыми.** Использование таких средств может снизить опасности, связанные с пылью.

#### 4. ИСПОЛЬЗОВАНИЕ ЭЛЕКТРОИНСТРУМЕНТА И УХОД ЗА НИМ

- a) **Не перегружайте электроинструмент. Используйте подходящий инструмент для каждой определенной цели.** Правильно подобранный электроинструмент выполнит работу лучше и надежнее на уровне, для которого он предназначен.
- b) **Не используйте электроинструмент, если выключатель невозможно включить или выключить.** Любой электроинструмент, который невозможно контролировать выключателем, представляет опасность и должен быть отремонтирован.
- c) **Отсоедините штепсель от электросети и / или аккумуляторную батарею от электроинструмента перед проведением каких-либо настроек, сменой насадок или хранением электроинструмента.** Подобные предохранительные меры снижают опасность случайного пуска электроинструмента.
- d) **Храните не использующиеся электроинструменты в местах, недоступных для детей. Не разрешайте работать с электроинструментом лицам, которые не знают его особенностей или не ознакомлены с данной инструкцией.** Электроинструменты в руках необученных пользователей представляют опасность.
- e) **Поддерживайте электроинструмент в исправном состоянии. Проверяйте инструмент на предмет смещения или заедания движущихся частей, поломки деталей или любых иных неисправностей, могущих повлиять на работу электроинструмента. В случае повреждения следует отремонтировать электроинструмент перед применением.** Многие несчастные случаи вызваны плохим уходом за электроинструментом.
- f) **Режущий инструмент должен быть заточенным и чистым.** При поддержании режущих инструментов в надлежащем состоянии и с острыми режущими кромками вероятность их заклинивания уменьшается и ими легче управлять.
- g) **Используйте электроинструмент, принадлежности, сверла и т. п. в соответствии с данными инструкциями, спецификой конкретного типа электроинструмента, учитывая условия работы и выполняемую задачу.** Использование электроинструмента для иных операций, помимо тех, для которых он предназначен, может привести к возникновению опасной ситуации.

#### 5. ИСПОЛЬЗОВАНИЕ АККУМУЛЯТОРНОГО ИНСТРУМЕНТА И УХОД ЗА НИМ

- a) **Производите подзарядку аккумулятора только при помощи оригинального зарядного устройства.** Зарядное устройство, которое подходит для одного типа аккумуляторной батареи, может привести к пожару, когда используется с другим типом аккумуляторной батареи.
- b) **Используйте аккумуляторный инструмент только с оригинальными аккумуляторами.** Использование любого другого типа аккумулятора может привести к травме или пожару.
- c) **Неиспользуемые аккумуляторные батареи храните отдельно от металлических предметов, таких как скрепки для бумаги, монеты, ключи, гвозди, винты и тому подобное, которые могут замкнуть контакты батареи.** Замыкание контактов аккумуляторной батареи может привести к ожогам или пожару.
- d) **В критических ситуациях из аккумулятора может вытекать жидкость – избегайте контакта с ней. Если жидкость все же попала на поверхность кожи, смойте ее большим количеством воды. При попадании жидкости в глаза срочно обратитесь за медицинской помощью.** Жидкость, вытекающая из аккумулятора, может вызвать раздражение или ожоги.

#### 6. СЕРВИСНОЕ ОБСЛУЖИВАНИЕ

- a) **Ремонт электроинструмента должен выполняться квалифицированным персоналом с использованием только оригинальных запасных частей.** Это гарантирует безопасность его использования.

## ИНСТРУКЦИИ ПО БЕЗОПАСНОСТИ ДЛЯ ВСЕХ ВИДОВ РАБОТ:

### ОБЩИЕ ПРЕДОСТЕРЕЖЕНИЯ, КАСАЮЩИЕСЯ БЕЗОПАСНОСТИ ПРИ ВЫПОЛНЕНИИ ШЛИФОВКИ ИЛИ АБРАЗИВНОЙ ОТРЕЗКИ:

- a) **Этот электроинструмент предназначен для использования в качестве шлифовальной машины или инструмента для резки. Прочитайте все предупреждения, инструкции по технике безопасности, иллюстрации и спецификации, прилагаемые к этому электроинструменту.** Невыполнение всех перечисленных ниже инструкций может привести к поражению электрическим током, пожару и / или серьезным травмам.
- b) **Данный электроинструмент не рекомендуется использовать для выполнения таких операций, как шлифование, щеточная очистка, полировка.** Выполнение операций, для которых электроинструмент не предназначен, может

создать опасную ситуацию и стать причиной травмы.

- c) **Не используйте аксессуары, которые не были специально разработаны и рекомендованы производителем инструмента.** Тот факт, что аксессуар может быть закреплен на вашем электроинструменте, еще не гарантирует его безопасное использование.
- d) **Номинальная скорость вращения аксессуара должна быть как минимум равна максимальной скорости, указанной на электроинструменте.** Аксессуары, вращающиеся быстрее указанной номинальной скорости, могут оторваться и отлететь.
- e) **Наружный диаметр и толщина вашего аксессуара должны соответствовать номинальной мощности электроинструмента.** Неправильно подобранные аксессуары не могут быть должным образом закрыты предохранительным устройством или правильно контролироваться.
- f) **Размер оправок дисков и фланцев должен обеспечивать точную установку шпинделя электроинструмента.** Для аксессуаров, смонтированных посредством фланцев, отверстие для оправки аксессуара должно соответствовать посадочному диаметру фланца. Аксессуары с отверстиями оправки, которые не совпадают с монтажными приспособлениями электроинструмента, будут работать несбалансированно, с избыточной вибрацией и могут привести к потере управления.
- g) **Не используйте поврежденные аксессуары. Перед каждым использованием проверяйте аксессуары, какие так абразивные диски, на наличие сколов и трещин, диск-подшву на наличие трещин, разрывов или чрезмерного износа.** Если электроинструмент или аксессуар случайно уронили, проверьте их на повреждения или установите неповрежденный аксессуар. После проверки и установки аксессуара встаньте сами и проследите, чтобы присутствующие располагались подальше от плоскости вращающегося диска, затем дайте проработать электроинструменту на максимальной скорости без нагрузки в течение одной минуты. В течение этого тестового времени поврежденные аксессуары обычно разламываются.
- h) **Носите средства индивидуальной защиты. В зависимости от применения носите лицевой щиток, закрытые или защитные очки. При необходимости надевайте пылезащитную маску, защитные наушники, перчатки и рабочий фартук, способный предохранить от небольших осколков абразивного материала или обрабатываемого предмета. Защита глаз должна быть способна предохранить от летящего**

**мусора, сопутствующего различным операциям.** Пылезащитная маска или респиратор должны быть способны отфильтровывать частицы, образующиеся в результате работы. Продолжительное воздействие шума высокой интенсивности может привести к потере слуха.

- i) **Держите посторонних на безопасном расстоянии от рабочей зоны. Любой, вошедший в рабочую зону, должен надевать средства индивидуальной защиты.** Осколки обрабатываемого предмета или сломавшийся диск могут отлетать в сторону и привести к травмам за пределами участка непосредственно работы.
- j) **Удерживайте электроинструмент только за изолированные захватные поверхности при выполнении операций, когда режущий аксессуар может контактировать со скрытой проводкой или собственным шнуром питания.** Режущий аксессуар, контактирующий с проводом под напряжением, может проводить напряжение на металлические части электроинструмента и стать причиной удара оператора электрическим током.
- k) **Никогда не кладите электроинструмент, пока аксессуар не остановится полностью.** Вращающийся диск может зацепиться за поверхность, и вы потеряете контроль над электроинструментом.
- l) **Не запускайте электроинструмент во время его переноски.** Случайный контакт с вращающимся аксессуаром может зацепить одежду, затягивая аксессуар к вашему телу
- m) **Регулярно очищайте вентиляционные отверстия электроинструмента. Вентилятор электродвигателя затягивает пыль внутрь корпуса; избыточное скопление металлического порошка может привести к поражению электрическим током.**
- n) **Не используйте электроинструмент рядом с горючими материалами. Искры могут воспламенить эти материалы.**
- o) **Не используйте аксессуары, для которых необходимы охлаждающие жидкости.** Использование воды или других охлаждающих жидкостей может привести к поражению электрическим током.
- p) **Вы не должны отпускать рукоятку инструмента во время работы. Всегда используйте вспомогательные рукоятки, поставляемые в комплекте с инструментом.** Потеря контроля может привести к травме.

## ДОПОЛНИТЕЛЬНЫЕ ИНСТРУКЦИИ ПО БЕЗОПАСНОСТИ ДЛЯ ВСЕХ ВИДОВ РАБОТ

### ОТДАЧА И СООТВЕТСТВУЮЩИЕ ПРЕДОСТЕРЕЖЕНИЯ

Отдача представляет собой случайную реакцию на

заклинивший или зацепившийся вращающийся диск, диск-подшву, щетку или любой другой аксессуар. Заклинивание или зацепление вызывает быстрое торможение или зацепление вращающегося аксессуара, что, в свою очередь, приводит к неконтролируемому движению электроинструмента в направлении, обратном вращению аксессуара в точке заедания.

Например, если абразивный диск зацепился или застрял в обрабатываемом предмете, край диска, который входит в точку защемления, может вознестись в поверхность материала, что приведет к выскакиванию или отскакиванию диска. Диск может отскочить в сторону от оператора или в направлении оператора, в зависимости от направления движения диска в точке заклинивания. Абразивные диски в этих условиях также могут сломаться.

Отдача является результатом неправильного использования электроинструмента и/или неправильных рабочих процедур или условий, и ее можно избежать, приняв надлежащие меры безопасности, приведенные ниже.

- a) **Прочно удерживайте электроинструмент и держите тело и руки так, чтобы противостоять силам отдачи. Всегда используйте дополнительную рукоятку, при ее наличии, для максимального контроля отдачи или реакции скручивания во время запуска.** Оператор может контролировать реакции скручивания или силы отдачи, если приняты надлежащие меры безопасности.
- b) **Никогда не помещайте руку рядом с вращающимся аксессуаром.** Аксессуар может под воздействием отдачи сместиться в сторону вашей руки.
- c) **Не располагайте тело в зоне, куда будет отброшен электроинструмент в случае возникновения отдачи.** Отдача откинет инструмент в направлении, противоположном движению диска на момент зацепления.
- d) **Соблюдайте особую осторожность при работе на углах, острых краях и т.д. Избегайте подсакивания и зацепления аксессуара.** Углы, острые края или подсакивание могут стать причиной зацепления вращающегося аксессуара и привести к потере контроля или отдаче.
- e) **Не закрепляйте пильную цепь, лобзикомый режущий диск или зубчатый пильный диск.** Такие режущие диски часто являются причиной отдачи и потери контроля.

## ДОПОЛНИТЕЛЬНЫЕ ИНСТРУКЦИИ ПО БЕЗОПАСНОСТИ ПРИ ВЫПОЛНЕНИИ ШЛИФОВКИ ИЛИ РЕЗКИ

### ОСОБЫЕ ПРЕДОСТЕРЕЖЕНИЯ, КАСАЮЩИЕСЯ БЕЗОПАСНОСТИ ПРИ ВЫПОЛНЕНИИ ШЛИФОВКИ И АБРАЗИВНОЙ ОТРЕЗКИ:

- a) **Используйте диски только тех типов, которые рекомендуются для вашего электроинструмента, и специальные защитные приспособления, предназначенные для выбранного диска.** Диски неподходящих к электроинструменту типов не могут быть надлежащим образом закрыты защитными приспособлениями и являются небезопасными.
- b) **Поверхность шлифования дисков с центральной выемкой должна быть установлена ниже плоскости края защитного устройства.** Неправильно установленный диск, который выступает за плоскость края защитного устройства, не может быть надлежащим образом защищен.
- c) **Защитное устройство должно быть надежно прикреплено к электроинструменту и расположено таким образом, чтобы наименьшая часть диска была направлена в сторону оператора для обеспечения его максимальной безопасности.** Защитный кожух помогает защитить оператора от обломков диска и случайного контакта с диском и искрами, которые могут воспламенить одежду.
- d) **Диски должны использоваться только для рекомендованных видов применения. Например: запрещается выполнять шлифовку боковой поверхностью пильного диска.** Абразивные отрезные диски предназначены для шлифования периферийным участком круга, боковое усилие, приложенное к этим дискам, может привести к их разрушению.
- e) **Всегда используйте неповрежденные фланцы дисков, которые имеют размер и форму, соответствующую выбранному диску. Надлежащие фланцы поддерживают диск, тем самым уменьшая вероятность его поломки.** Фланцы для отрезных дисков могут отличаться от фланцев для шлифовального круга.
- f) **Не используйте изношенные диски от электроинструментов большего размера.** Диск, предназначенный для более крупного электроинструмента, не подходит для более высокой скорости работы меньшего инструмента и может лопнуть.



# ДОПОЛНИТЕЛЬНЫЕ ПРЕДОСТЕРЕЖЕНИЯ, КАСАЮЩИЕСЯ БЕЗОПАСНОСТИ ПРИ

## ВЫПОЛНЕНИИ АБРАЗИВНОЙ ОТРЕЗКИ:

- a) **Не “зажимайте” диск или не прикладывайте избыточное давление. Не пытайтесь сделать пропил избыточной глубины.** Перенапряжение диска увеличивает нагрузку и возможность скручивания или заедания диска в пропилен, а также вероятность отдачи или поломки диска.
- b) **Не располагайте тело на одной линии и позади вращающегося диска.** Когда диск в точке работы движется от вашего тела, отдача может откинуть вращающийся диск и инструмент непосредственно в вашем направлении.
- c) **Когда диск заедает, или при прерывании пропила по любой причине, выключите электроинструмент и держите его неподвижно до тех пор, пока диск не остановится полностью.** Никогда не пытайтесь извлечь диск из распила, пока диск еще движется, в противном случае это может привести к отдаче. Проверьте и примите корректирующие действия, чтобы устранить причину заедания диска.
- d) **Не перезапускайте операцию реза в обрабатываемом предмете. Дайте диску набрать полную скорость вращения и осторожно введите его в распил.** Диск может согнуться, сместиться или вызвать отдачу, если перезапустить электроинструмент в обрабатываемом предмете.
- e) **Обеспечьте опору панелей или любого обрабатываемого предмета большого размера, чтобы свести к минимуму риск заклинивания диска и отдачи. Большие обрабатываемые предметы имеют тенденцию провисать под собственным весом.** Опоры должны располагаться под обрабатываемым предметом рядом с линией реза и рядом с краем обрабатываемого предмета с обеих сторон от диска.
- f) **Соблюдайте особую осторожность при выполнении “выреза” в существующих стенах или других мертвых зонах.** Выступающий диск может задеть газовые или водяные трубы, электрическую проводку или предметы, которые могут привести к отдаче.

# ПРЕДОСТЕРЕЖЕНИЯ ПО ТЕХНИКЕ БЕЗОПАСНОСТИ ПРИ ИСПОЛЬЗОВАНИИ АККУМУЛЯТОРНОЙ БАТАРЕИ

- a) **Запрещается разбирать, открывать или разрывать элементы или аккумуляторную батарею.**
- b) **Не замыкайте накоротко аккумуляторную батарею. Не храните аккумуляторные батареи навалкой в коробке или ящике, где они могут закоротить друг друга или замкнуться накоротко через проводящие материалы. Когда аккумуляторная батарея не используется, храните ее вдали от других металлических предметов, таких как скрепки, монеты, ключи, гвозди, винты или другие мелкие металлические предметы, которые могут соединять одну клемму с другой.** Короткое замыкание клемм аккумулятора может привести к ожогам или пожару.
- c) **Не подвергайте аккумуляторную батарею нагреву или воздействию пламени. Избегайте хранения под прямыми солнечными лучами.**
- d) **Не подвергайте аккумуляторную батарею механическим ударам.**
- e) **В случае протечки аккумулятора не допускайте попадания жидкости на кожу или в глаза. В случае контакта промойте пораженный участок большим количеством воды и обратитесь к врачу.**
- f) **Немедленно обратитесь к врачу при проглатывании элемента или аккумуляторной батареи.**
- g) **Поддерживайте аккумуляторную батарею в чистом и сухом состоянии.**
- h) **Протрите клеммы аккумуляторной батареи чистой сухой тканью, если они загрязнились.**
- i) **Аккумуляторная батарея должна быть заряжена перед использованием. Всегда сверяйтесь с этой инструкцией и выполняйте правильную процедуру зарядки.**
- j) **Не оставляйте аккумулятор на зарядке, когда он не используется.**
- k) **После длительного хранения может потребоваться несколько раз зарядить и разрядить аккумуляторную батарею для достижения максимальной производительности.**
- l) **Аккумуляторная батарея обеспечивает наилучшую производительность при работе в условиях нормальной комнатной температуры (20°C ± 5°C).**
- m) **При утилизации аккумуляторных батарей аккумуляторы разных электрохимических систем должны складываться отдельно друг от друга.**



- n) Повторную зарядку выполняйте только с помощью зарядного устройства, указанного компанией Kress. Не используйте другие зарядные устройства, кроме специально предназначенных для использования с оборудованием. Зарядное устройство, подходящее для одного типа аккумуляторной батареи, может создать риск возгорания при использовании с другой аккумуляторной батареей.
- o) Не используйте аккумуляторную батарею, которая не предназначена для использования с оборудованием.
- p) Храните аккумулятор в недоступном для детей месте.
- q) Сохраните оригинальные инструкции инструмента для дальнейшего использования.
- r) Извлекайте аккумуляторную батарею из инструмента, когда он не используется.
- s) Утилизируйте должным образом.

## УСЛОВНЫЕ ОБОЗНАЧЕНИЯ

	Для уменьшения риска получения травм, пользователь обязан прочитать руководство по эксплуатации
	Предостережение
	Носите защиту органов слуха
	Носите защиту органов зрения
	Носите пылезащитную маску
	Носите защитные перчатки
	При неправильной утилизации батареи могут попасть в водный цикл, что может быть опасным для экосистемы. Не выбрасывайте использованные батареи в несортированные бытовые отходы.
	Запрещается сжигать

	Убедитесь в том, что батарея извлечена, прежде чем менять аксессуары.
	Литий-ионный аккумулятор Этот продукт был отмечен символом, связанным с «раздельным сбором» для всех батарейных блоков и батарей. Затем он утилизируется или раскреплен, чтобы уменьшить воздействие на окружающую среду. Батарейный блок могут быть вредны для окружающей среды и здоровья человека, поскольку они содержат вредные вещества.
	

## ПЕРЕЧЕНЬ КОМПОНЕНТОВ

1. Дополнительная рукоятка
2. Кнопка блокировки шпинделя
3. Выключатель
4. Регулирование Скорости
5. Кнопка высвобождения аккумуляторной батареи
6. Аккумуляторная батарея*
7. Предохранительный кожух шлифовального диска
8. Диск *
9. Гаечный ключ
10. Внутренний фланец
11. Внешний фланец
12. Гайка регулировка зажима
13. Шпиндель
14. Рычаг зажима предохранительного кожуха

\* Не все показанные или описанные аксессуары включены в стандартную поставку.

## ТЕХНИЧЕСКИЕ ДАННЫЕ

	KU801	KU801.9
Номинальное напряжение	20В 	
Скорость без нагрузки	3500/6000/8500/мин	


Размер диска	125 мм	
Отверстие диска	22,2 мм	
Резьба шпинделя	M14	
Вес машины	2,4 кг	1,7 кг

## АКСЕССУАРЫ

	KU801	KU801.9
Гаечный ключ	1	1
Дополнительная рукоятка	1	1
Предохранительный кожух диска SDS	1	1
Аккумуляторная батарея (KA3498)	2	/
Зарядное устройство (KA3705)	1	/

Мы рекомендуем вам приобрести аксессуары, перечисленные в приведенном выше списке, в том же магазине, где вам продали инструмент. Для получения дополнительной информации см. упаковку. Сотрудники магазина смогут помочь вам и дать совет.

## ИНСТРУКЦИИ ПО ЭКСПЛУАТАЦИИ

 **Примечание:** Перед использованием инструмента внимательно прочитайте инструкцию.


### Предназначенное использование

Эта машина предназначена для резки, черновой обработки и щеточной очистки металлических и каменных материалов без использования воды. Для резки металла необходимо использовать специальный защитный кожух для резки (аксессуар).

## СБОРКА И ЭКСПЛУАТАЦИЯ

ДЕЙСТВИЯ	РИСУНОК
<b>ПЕРЕД ЭКСПЛУАТАЦИЕЙ</b>	
Извлечение аккумуляторной батареи	См. Рис. А1
Замена аккумуляторной батареи	См. Рис. А2

Установка аккумуляторной батареи

 **ПРЕДОСТЕРЕЖЕНИЕ:**  
При замене аккумуляторной батареи запрещается вставлять батарею до тех пор, пока шлифовальный / режущий диск не остановится полностью!

См. Рис. А3

### СБОРКА

Сборка дополнительной рукоятки	См. Рис. В
Сборка шлифовального / режущего диска	См. Рис. С1, С2, С3

Регулировка предохранительного кожуха диска

**Примечание:** Перед выполнением каких-либо работ на самом устройстве извлеките аккумуляторную батарею. Для работы с шлифовальными или режущими дисками необходимо установить защитный кожух. Используйте тип диска, подходящий для работы, которую необходимо выполнить. Если электроинструмент предназначен для выполнения резки, необходимо установить защитный кожух, предназначенный для этой работы.

Отмеченный кодом выступ на кожухе диска обеспечивает возможность установки только того кожуха, который соответствует типу используемой машины. Откройте зажимной рычаг. Установите защитный кожух с отмеченным кодом выступом в также отмеченный кодом паз на шпинделе головки машины и поверните его в требуемое положение (рабочее положение). Чтобы закрепить защитный кожух диска, закройте зажимной рычаг. **Закрытая часть защитного кожуха всегда должна быть направлена в сторону оператора.**

См. Рис. D

### ЭКСПЛУАТАЦИЯ

Использование выключателя	См. Рис. Е
Регулирование Скорости	См. Рис. F
Зоны захвата рукой	См. Рис. G

<p>Грубая шлифовка</p> <p><b>Предостережение!</b> <b>Запрещается</b> <b>использовать режущий диск для выполнения грубой шлифовки.</b></p>	
<p>Резка</p>	<p>См. Рис. Н</p>

## РЕКОМЕНДАЦИИ ПО ИСПОЛЬЗОВАНИЮ УГЛОВОЙ ШЛИФОВАЛЬНОЙ МАШИНЫ

1. Всегда запускайте инструмент без нагрузки, дождитесь, пока он достигнет максимальной скорости, а затем начинайте работу.
2. Не форсируйте скорость работы диска, снижение скорости движения диска означает увеличение его срока службы.
3. Всегда работайте, поддерживая угол 15-30 градусов между диском и заготовкой. Большой угол приведет к образованию выступов на заготовке и повлияет на обработку поверхности. Перемещайте угловую шлифовальную машину вдоль поверхности заготовки.
4. При использовании режущего диска никогда не меняйте угол резки, в противном случае это приведет к срыву диска и остановке двигателя угловой шлифовальной машины, либо поломке диска. При резке выполняйте работу только в направлении, противоположном вращению диска. Если вы будете выполнять резку в направлении, совпадающем с направлением вращения диска, диск может вытолкнуть себя из пропила.
5. При резке очень твердого материала наилучших результатов можно достичь с помощью алмазного диска.
6. Алмазный диск сильно нагревается при использовании. Если это произойдет, вы увидите кольцо искр вокруг вращающегося диска. Прекратите резку и дайте диску остыть при работе без нагрузки в течение 2-3 минут.
7. Всегда проверяйте надежность фиксации заготовки, чтобы предотвратить ее смещение.

## ТЕХНИЧЕСКОЕ ОБСЛУЖИВАНИЕ

**До выполнения любых работ по регулировке, обслуживанию и уходу следует извлечь аккумуляторную батарею.**

В данном инструменте отсутствуют детали, подлежащие обслуживанию пользователем. Никогда не используйте воду или химические чистящие средства для очистки вашего электроинструмента. Протирайте его сухой тканью. Всегда храните электроинструмент в сухом месте. Содержите в чистоте вентиляционные отверстия двигателя. Не

допускайте попадания пыли на все рабочие органы управления. Иногда через вентиляционные отверстия можно увидеть искры. Это нормально и повредит ваш электроинструмент.

## ВЫЯВЛЕНИЕ И УСТРАНЕНИЕ НЕИСПРАВНОСТЕЙ

Несмотря на то, что угловая шлифовальная машина очень проста в эксплуатации, если у вас возникли проблемы, проверьте следующее:

1. Если диск шлифовальной машины качается или вибрирует, убедитесь в том, что внешний фланец затянут; также убедитесь в том, что диск правильно расположен на фланцевой пластине.
2. Если имеются какие-либо доказательства повреждения диска, не используйте его, так как поврежденный диск может разломиться на части; снимите диск и замените его новым. Утилизируйте старые диски должным образом.
3. При работе с алюминием или аналогичным мягким сплавом диск быстро зароснет и эффективность шлифования снизится.



# EAC

Импортер: ООО «ПОЗИТЕК-ЕВРАЗИЯ»

Адрес: Российская Федерация, 117342, г. Москва, ул. Бутлерова, д. 17, этаж 3 ком 67

Страна производства: КНР

Изготовитель: Позитек Технолоджи (КНР) Ко. Лтд.

Адрес: Донгванг Роуд, 18, Сучжоу Индастриал Парк, Цзянсу, КНР

Срок службы изделия: 6 лет

Срок гарантии: 3 года

Дата производства изделия: указана на изделии

Телефон сервисной службы ООО «ПОЗИТЕК-ЕВРАЗИЯ»: 7 (495) 136-83-96

Электронная почта [service.ru@positecgroup.com](mailto:service.ru@positecgroup.com)

Elektrowerkzeuge  
**Kress**