

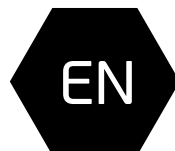
HYUNDAI



Электрический проточный водонагреватель

Руководство по эксплуатации
Гарантийный талон

Electrical instant water heater



Instruction manual
Warranty card

Модели / Models

H-IWR1-3P-UI056/C
H-IWR1-3P-UI057/S
H-IWR1-3P-UI058/CS
H-IWR1-5P-UI059/C
H-IWR1-5P-UI060/S
H-IWR1-5P-UI061/CS
H-IWR1-6P-UI062/C
H-IWR1-6P-UI063/S
H-IWR1-6P-UI064/CS



Contents

Introduction	3
General	3
Description	3
Stock number interpretation	4
Appearance	4
Accessories	5
Technical parameters	7
Overall and installation dimensions	7
Water heater safe operation and installation rules	8
Safety of children and people with physical disability	8
General safety rules	8
Installation/connection safety and precautions	8
Operation/cleaning safety and precautions	9
Disposal	10
Installation	10
Mounting	10
Water supply network connection	10
Electrical mains connection	11
Operation	12
Cleaning	13
Troubleshooting	14

INTRODUCTION

Before installing and using the appliance, please very carefully read this instruction manual and manufacturer's warranty liabilities. Keep the instruction manual for future reference. If you hand over the appliance to another user, please hand over the instruction manual as well.

For more details or resolution of any occurred problems, please visit Hyundai website at www.hyundai-hvac.com. You can also contact the nearest regional service center of the manufacturer. If there are no service centers of the manufacturer in your region, please contact the regional dealer of Hyundai.

The content of this instruction manual has been checked and approved. The manufacturer is not responsible for any spelling mistakes in the text and incorrect interpretation of the instruction manual content.

GENERAL

Description

Electrical instant water heaters are recommended for continuous supply of hot water in cottages and country houses, stand-alone cafeterias and restaurants, and office rooms, as well as they can be used as standby equipment in apartments for the preventive maintenance period of the hot water supply network.

The main advantage of instant water heaters is their capability to supply unlimited quantity of hot water, when you just open the tap. Water is heated immediately, when it flows through the heating element with high heat output. Electrical energy is only consumed upon hot water use, which excludes loss of electrical energy related to heat accumulation. In addition, there is no need for regular service care of instant water heaters.

Rainforest electrical instant water heaters by Hyundai are free-flow and designed for heating of tap water in household use, for operation in an open water supply circuit only, and for a single consumption point. Water is heated, when it flows through a heat-resistant plastic heating flask with a copper heating element. The dry run protection is provided by a diaphragm-type pressure sensor, which energizes the heating element upon water feed. When water flowing through the heating flask is overheated, a temperature limiter de-energizes the heating element with the restart capability.



Stock number interpretation

Appliance series

H-IWR1-3P-UI056/C

Appliance version

C – the appliance is supplied complete with a crane

S – the appliance is supplied complete with a hot water hose, a shower head, and a wall mount

CS – the appliance is supplied complete with a crane, a hot water hose, a shower head, a crane/shower adapter, and a wall mount

Individual model code

rated power

3P – rated power consumption is 3.5 kW

5P – rated power consumption is 5.5 kW

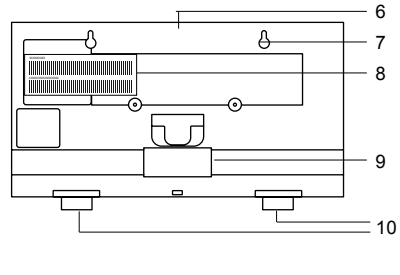
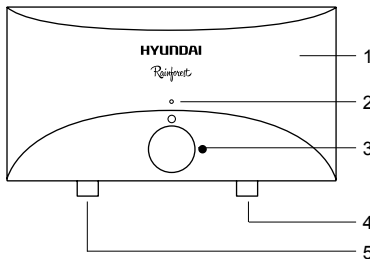
6P – rated power consumption is 6.5 kW

Appliance type

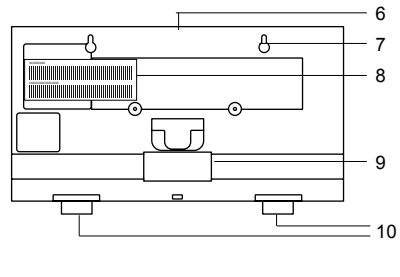
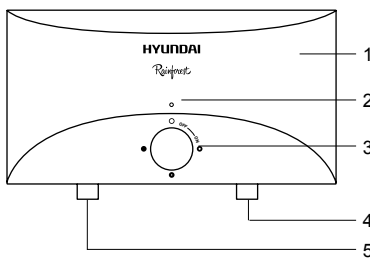
H-IWR1 - household instant water heater

Appearance

H-IWR1-3P



H-IWR1-5P, H-IWR1-6P

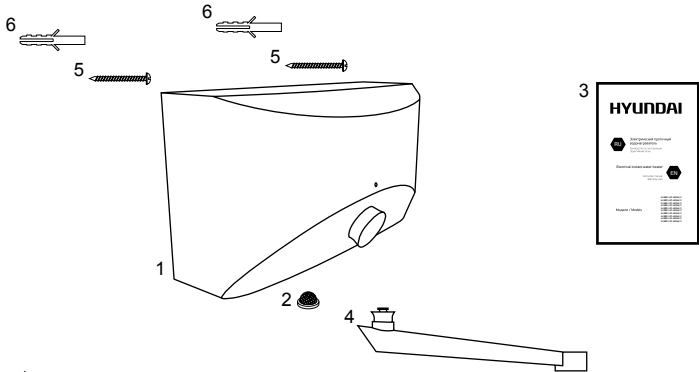


- 1 - Front panel
- 2 - Power indicator
- 3 - On/Off and power control knob
- 4 - Hot water outlet
- 5 - Cold water inlet

- 6 - Rear panel
- 7 - Mounting screw holes
- 8 - ID sticker with serial number
- 9 - Electrical cable channel
- 10 - Pipes cover

Accessories

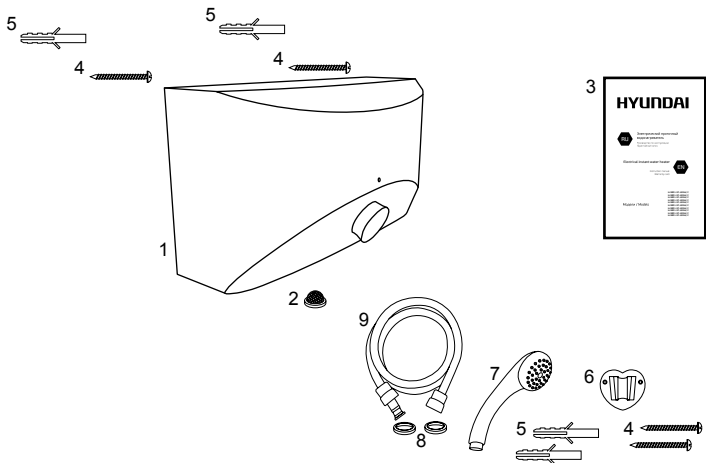
Version C



- 1 - Water heater
- 2 - ½" rubber gasket with a strainer
- 3 - Instruction manual
- 4 - Crane
- 5 - Mounting screws
- 6 - Dowel pins



Version S



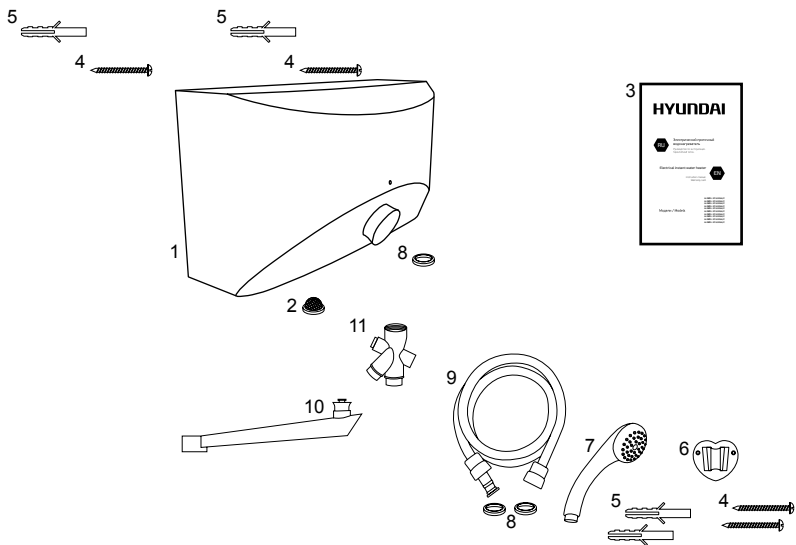
6.

HYUNDAI

Electrical instant water heater

- 1 - Water heater
- 2 - ½" rubber gasket with a strainer
- 3 - Instruction manual
- 4 - Mounting screws
- 5 - Dowel pins
- 6 - Shower head wall mount
- 7 - Shower head
- 8 - ½" rubber gaskets
- 9 - Shower hose

Version CS



- 1 - Water heater
- 2 - ½" rubber gasket with a strainer
- 3 - Instruction manual
- 4 - Mounting screws
- 5 - Dowel pins
- 6 - Shower head wall mount
- 7 - Shower head
- 8 - ½" rubber gaskets
- 9 - Shower hose
- 10 - Crane
- 11 - Crane/shower adapter

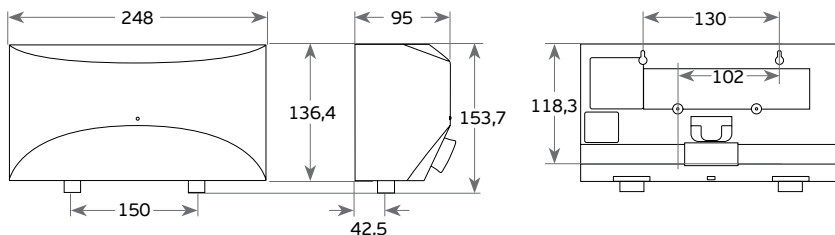
Technical parameters

Appliance series	H-IWR1-3P*	H-IWR1-5P	H-IWR1-6P
Rated power consumption, W	3500	5500	6500
Rated voltage, V	220	220	220
Rated current, A/Hz	16/50	25/50	30/50
Number of power modes	1	3	3
Mode power, W	3500	2200/3300/5500	3000/3500/6500
Moisture protection class	IPX4	IPX4	IPX4
Electrical protection class	I	I	I
Rated pressure, MPa	0	0	0
Operating pressure, MPa	0,07-0,6	0,07-0,6	0,07-0,6
Throughput at $\Delta t=20^{\circ}\text{C}$, l/min	2.3	3.6	4.2
Maximum water heating temperature, max, $^{\circ}\text{C}$	85	85	85
Operating temperature, $^{\circ}\text{C}$	0-35	0-35	0-35
Dimensions (HxWxD), mm	153x248x95	153x248x95	153x248x95
Net weight, kg	Net weight can be found on Rating Label, between water inlet and outlet.		

EN

* H-IWR1-3P water heaters with power of 3.5 kW are designed for use in summer with water temperature at the water heater inlet not less than $+16^{\circ}\text{C}$... $+18^{\circ}\text{C}$.

Overall and installation dimensions*



* Dimensions are in millimeters (mm), tolerance can be 1-5 mm

WATER HEATER SAFE OPERATION AND INSTALLATION RULES

Always observe the safety rules, when using the water heater. Improper operation due to ignorance of these rules may result in personal injury to the user or other people, as well as damage to their property. The manufacturer is not responsible for inflicted personal injuries and property damages as a result of improper installation and operation of the appliance.

Safety of children and people with physical disability

- The water heater is not designed for use by people (including children) with physical, sensory, or mental disability having insufficient experience and knowledge, if they are not supervised or instructed on use of the appliance by a person responsible for their safety.
- Any electrical appliance shall be supervised during its operation, especially if there are children close by.
- Carefully watch that children do not touch the appliance or use it as a game element.
- Do not allow children to use the water heater without supervision by adults.

General safety rules



- Never leave the energized water heater unattended.
- Always switch off the water heater after use.
- Never change the design of the water heater or modify it.
- Never use the water heater, if it is faulty.
- Do not use the water heater in explosive or corrosive environment. Do not store gasoline and other volatile highly inflammable liquids near the appliance.
- Do not use the water heater for purposes not specified in this instruction manual.
- Never splash water onto the heater or irrigate it.
- Any service operations shall be performed by a specialized organization, by qualified specialists.

Installation/connection safety and precautions

- Installation of the water heater in the operation place and arrangement of a power supply line shall be performed by a specialized organization, representatives of the manufacturer's service department, or specialists having permits for installation of electrical equipment with observations of the safety requirements.
- If the installation/operation instruction manual of the water heater is violated, the appliance is not subject to warranty service and the manufacturer does not bear the responsibility.
- Do not install the water heater in a room, where ambient temperature may drop below 0°C
- Never install the water heater outdoors.
- Before installation and connection of the water heater, check and make sure that there is a grounding loop in your electrical mains. If there is no grounding loop in your electrical mains, operation of the water heater is life-threatening.
- Connect the water heater to 220 VAC / 50 Hz mains only. If necessary, clarify specifications of your electrical mains from the electrical energy suppliers.
- Never connect the water heater to the electrical mains using a male plug, except for H-IWR1-3P series. Never use any electrical extension cords.
- Cross section of the electrical cable used for connection to the electrical mains shall meet rated current of the water heater.

- Cross section of the electrical cable shall be increased, if the cable and water heater are located on a thermally insulated or heating wall.
- Wires of the electrical cable in the terminal block of the water heater and power switchboard shall be secured, since a loose connection may result in wire heating, which is very fire hazardous.
- Make sure that the electrical cable does not cross sharp edges or contact with hot surfaces.
- Do not connect the grounding loop of the water heater to water/gas supply lines, etc.
- Make sure that electrical wiring is properly connected (including connection to the grounding loop).
- Thoroughly follow the connection procedure of the water heater, since improper connection will result in its failure and may inflict harm to the user.
- To avoid air pockets and breakdown of the appliance, the water heater shall be installed on a wall strictly in horizontal position with its connections downward.
- Do not swap locations of the water inlet and outlet positions, since this will result in breakdown of the water heater or a personal injury (see color marks - blue for water inlet and red for water outlet).
- Never install an isolation valve at the water outlet or shut off the water outflow including that via bending of the shower hose.
- If the water heater will be used in a bathroom, it is recommended to install it above body height so that water splashes do not get onto its housing.
- The water heater shall only be installed and operated with the original accessories provided in the package.

Operation/cleaning safety and precautions

EN



CAUTION!

Do not switch on the water heater, if water may freeze in it.

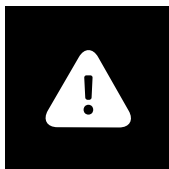
- The water heater is designed only for household use indoors in closed warm spaces. The water heater is not designed for industrial use.
- The water heater is designed only for heating of water. Do not use the appliance for heating of other liquids. This may inflict a severe damage to the water heater, other property, or result in a personal injury.
- Water temperature at the water heater inlet shall not exceed +35°C.
- Do not remove the front panel of the water heater during its operation or before de-energization.
- Immediately disconnect the water heater from the electrical mains in case of strange sounds, odor, or smoke from it.
- Do not use the water heater with the damaged electrical cable or other damages.
- For troubleshooting and repairs, please contact the nearest authorized service center of the manufacturer in your region.
- Exclude clogging of the shower head nozzle and tap nozzle.
- Before cleaning or maintenance of the water heater, always disconnect it from the electrical mains. Perform cleaning or maintenance in accordance with the guidelines of this instruction manual.
- Do not use hazardous chemicals for cleaning of the water heater and exclude their contact with it.

Disposal

Upon expiration of service life, the water heater shall be disposed. For more details regarding disposal of the water heater, please contact a representative of the local authorities.

Service life is around 10 years. The notion of the service life of the device is not equal to the warranty period.

INSTALLATION



CAUTION!

Refer to «Water heater safe operation and installation rules».

During installation of the water heater, rigorously observe the laws, regulations, directives, and standards (safety requirements, disposal rules/procedure, electrical safety rules, etc.) effective in your country, as well as directives of local electrical energy/water suppliers.

EN

Mounting

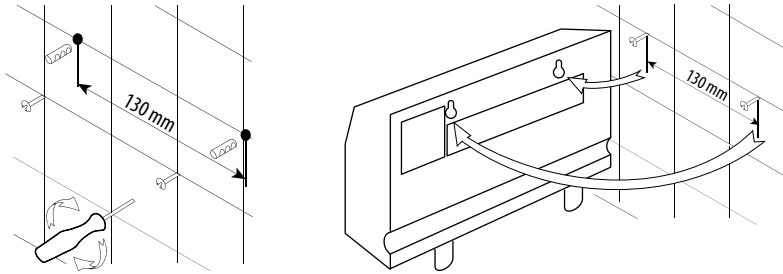
During selection of a location for the water heater, it is necessary to ensure free access to it on the basis of not less than 0.3 m from above, from below, and sideways. This will ensure the maximum comfort for maintenance and adjustment of the water heater, when necessary. After you have selected the place for installation of the water heater, mark points for mounting screw holes. Drill two holes to appropriate depth in the wall using a drill with suitable size for the dowel pins and screws provided in the water heater package. Insert the dowel pins into the wall holes and turn in the mounting screws. Do not turn in the screws fully. There shall be a gap between the screw heads and wall necessary to hang up and secure the water heater. Hang up the water heater onto the screws and check security of mounting. The appliance shall be installed on the wall strictly horizontally with its connections downward. For more secure mounting, you can use the through hole in the lower part of the rear panel (refer to "Overall and installation dimensions") to turn in an additional screw through it to the wall.

Water supply network connection

The water heater is directly connected to the cold water supply network with operating pressure from 0.07 MPa to 0.6 MPa. If water pressure in the water supply network exceeds 0.6 MPa, install a reduction valve (pressure reducer) in the feed system so that operating pressure does not exceed 0.6 MPa. Prior to connecting the water heater, flush the cold water supply pipe with flowing water.

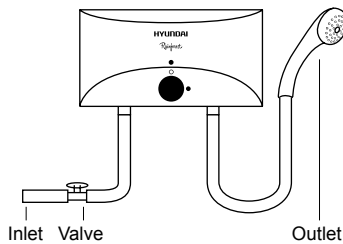
If water hardness in the water supply main exceeds 450 mg/l (CaCO₃), we recommend you to use a separate water filter upstream of the water heater inlet to extend service life of the heating element.

Connect the cold water supply pipe to the cold water inlet marked with blue color. Install the rubber gasket and strainer provided in the package between the pipe and connection. The con



nection has male thread 12 mm in diameter (G1/2"). Connect the accessories provided in the package to the heated water outlet marked with red color (refer to "Accessories" and version of your water heater). The cold water feed isolation valve shall be installed upstream of the water heater inlet. Never install an isolation valve at the heated water outlet of the water heater. Pass water flow through the water heater to make sure that it is operable. Check tightness of all connections and retighten them as necessary.

V Correct connection



Electrical mains connection

Connect the water heater to the 220 VAC electrical mains with a three-conductor copper electrical cable having minimum conductor section and a circuit breaker in the power switchboard as indicated in the table below:

Appliance series	Power, W	Copper conductor section, min, mm ²	Circuit breaker, min, A
H-IWR1-3P*	3500	1,5	16
H-IWR1-5P	5500	2,5	25
H-IWR1-6P	6500	4,0	32

* For connection to the electrical mains, this series of water heaters is complete with a power cord and a male plug. The power cord has length of 1.5 m and copper conductor section of 3x1.5 mm².

Never use an electrical male plug and socket for connection of the water heater to the electrical mains, except for H-IWR1-3P series. The water heater shall be connected to the 220 VAC power supply source permanently with obligatory connection to the electrical grounding loop. Make sure that resistance of the grounding loop is $< 4 \Omega$. The electrical cable is led into the water heater through its rear wall and connected to the terminal block according to marks on the rear panel, where \oplus - ground conductor, L - phase conductor, N - neutral conductor. To lead in and connect the electrical cable, remove the appliance front panel. For that, unscrew the securing screw in its upper part. After connection of the electrical cable to the terminal block, make sure that all clamping screws of the terminal block are secured. Secure the cable inside the heater using a clamping plate, place back the front panel, and turn in the securing screw in the upper part of the appliance.

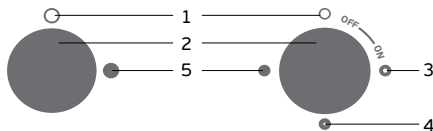
EN

OPERATION



CAUTION!

Refer to «Water heater safe operation and installation rules».



* The service life of the power indicator is 3000 hours continuously. Therefore, disconnect the appliance from the electrical mains after use to extend the power indicator life.

- 1 - Off position
- 2 - On/Off and power control knob
- 3 - Low power position
- 4 - Medium power position
- 5 - Full power position

Before first start or after a long idle period of the water heater, fill it with water opening the cold water feed isolation valve and make sure that cold water steadily flows from the water outlet at the consumption point. After that, switch on the appliance and make sure that the power indicator on the front panel lights up*.

To switch on heating, place the control knob to the ON position (●). If sufficient water flow and pressure at least 0.08 MPa are available, the water heater will start heating water. Incoming water is heated inside the heating flask, when it flows through the heating element. Water temperature in the water supply network may fluctuate throughout the year from +3°C to +20°C. Therefore, water flow in winter shall be made lower than in summer to obtain the optimum water temperature. Water flow is controlled by the valve at the water inlet of the water heater. Never install an isolation valve or shut off water flow at the water heater outlet. After activation of heating, wait for 10-20 sec until temperature of heated water is stabilized.

For adjustment of hot water temperature, use the valve at the inlet connection (cold water inlet). When you decrease inlet flow rate of water, you increase outlet temperature of water and vice versa. For water heaters of H-IWR1-5P and H-IWR1-6P series, you can also place the On/Off/power control knob to the low power position (●) or to the medium power position (●) in order to adjust water temperature. To switch off the water heater, place the On/Off/power control knob to the OFF position (○), close the cold water feed valve at the inlet, and de-energize the water heater.

EN

CLEANING

Operation of the water heater may result in scaling of the shower/tap nozzle openings. This reduces efficiency of heating, deteriorates water spraying, and increases water pressure in the heating flask.

For prevention of such phenomena, periodically clean the nozzle using household chemical agents and soft brushes. Do not use abrasive cleaning substances and inappropriate chemical agents.

Prior to cleaning the outer surfaces, disconnect the water heater from the electrical mains and allow it to fully cool down. Clean the outer surface of the appliance housing with a slightly moistened soft cloth and then wipe it dry. Do not use abrasive cleansers for cleaning.

If water flow rate from the water heater decreases, clean the coarse filter (rubber gasket and strainer) installed at the cold water inlet of the water heater. For that, disconnect the appliance from the electrical mains and allow it to fully cool down. Then, shut off cold water feeding, unscrew the cold water supply pipe from the water heater, remove the rubber gasket with the strainer, and flush it under a jet of flowing water. Restore the inlet connection in the reverse sequence.

TROUBLESHOOTING

Failure	Possible causes	Remedy
Upon energization, the power indicator does not light up.	There is no power supply.	Make sure that power supply is switched on.
The power indicator lights up, but water is not heated.	<ol style="list-style-type: none"> 1. Water flow rate is less than necessary. 2. The power mode switch is off. 3. The temperature limiter set at 85°C is tripped due to overheating. 4. Too low water pressure in the water supply network. 5. Low voltage of electrical network. 	<ol style="list-style-type: none"> 1. Increase water flow rate. 2. Place the On/Off/power control knob to the ON position (●). 3. Wait until the temperature limiter set at 85°C cools down and reactivates. 4. Wait until normal water pressure is restored in the network. 5. You need to wait until the voltage will be stable.
Water does not flow from the hot water outlet.	<ol style="list-style-type: none"> 1. Water feeding is shut off. 2. The cold water inlet valve is not opened. 	<ol style="list-style-type: none"> 1. Wait until water feeding is restored in the water supply network. 2. Open the cold water inlet valve.
Water leakage.	Problem with tightness of connections.	Restore tightness of connections.
Water at the outlet from the water heater is sometimes hot, sometimes cold.	<ol style="list-style-type: none"> 1. Unstable water pressure. 2. Water temperature at the outlet from the water heater is too high causing repeated tripping of the overheating protection device. 	<ol style="list-style-type: none"> 1. Use the water heater only after stabilization of water pressure. 2. Decrease heating power, increase water flow rate.

Electrical instant water heater

HYUNDAI

| 15.



Содержание

Введение	17
Обзор	17
Описание	17
Расшифровка артикула	18
Внешний вид	18
Аксессуары	19
Технические параметры	21
Габаритные и установочные размеры	21
Правила безопасной эксплуатации и установки водонагревателя	22
Безопасность детей и лиц с ограниченными физическими возможностями	22
Общие правила безопасности	22
Безопасность и предостережения при установке и подключении	22
Безопасность и предостережения при эксплуатации и очистки	23
Утилизация	24
Установка	24
Монтаж	24
Подключение к водопроводной сети	25
Подключение к электрической сети	25
Эксплуатация	26
Очистка	27
Поиск и устранение неисправностей	28
Сертификация	29
Гарантийный талон	32

ВВЕДЕНИЕ

Перед установкой и использованием прибора очень внимательно изучите данное руководство и гарантийные обязательства производителя. Сохраните руководство для дальнейшего использования в качестве справочного материала. В случае передачи другому пользователю передайте ему прибор вместе с данным руководством.

Для получения дополнительной информации или в случае возникновения проблем посетите сайт Hyundai www.hyundai-hvac.com. Можно также обратиться в ближайший региональный сервисный центр производителя. Если в Вашем регионе не представлен сервисный центр производителя, обратитесь к региональному дилеру Hyundai.

Содержание данного руководства было проверено и одобрено. Производитель не несёт ответственности за любые орфографические ошибки в тексте и неверное толкование содержания руководства.

ОБЗОР

Описание

Электрические проточные водонагреватели рекомендуется использовать для постоянного обеспечения горячей водой коттеджей и загородных домов, отдельно стоящих кафе и ресторанов, офисных помещений, а также в качестве резерва в городских квартирах на период отключения горячей воды на профилактику.



Основное преимущество проточных водонагревателей состоит в том, что они способны обеспечивать неограниченное количество нагретой воды, стоит лишь открыть кран. Вода нагревается сразу, проходя через нагревательный элемент с высокой производительностью нагрева. Расход электроэнергии осуществляется только в момент потребления нагретой воды, что исключает потери электроэнергии, связанные с аккумулярованием тепла. Кроме того, нет необходимости проводить регулярное техническое обслуживание проточных водонагревателей.

Электрический проточный водонагреватель Hyundai серии Rainforest является безопасным и предназначен для подогрева водопроводной воды в бытовых условиях, для эксплуатации только в открытой схеме водоснабжения и для одной точки потребления.

Нагрев воды происходит при её протекании через нагревательную колбу из термостойкой пластмассы, с медным нагревательным элементом.

Защита от включения без воды осуществляется мембранным датчиком давления, включающим питание нагревательного элемента при подаче воды.

При перегреве воды, протекающей через нагревательную колбу, питание нагревательного элемента отключается ограничителем температуры, с функцией восстановления своей работоспособности.

Расшифровка артикула

серия
прибора

H-IWR1-3P-UI056/C

комплектация прибора

C – прибор поставляется в комплекте с краном

S – прибор поставляется в комплекте с шлангом для нагретой воды, душевой насадкой и настенным держателем

CS – прибор поставляется в комплекте с краном, шлангом для нагретой воды, душевой насадкой, переходником кран/душ и настенным держателем

индивидуальный код модели

номинальная потребляемая мощность

3P – номинальная потребляемая мощность 3,5 кВт

5P – номинальная потребляемая мощность 5,5 кВт

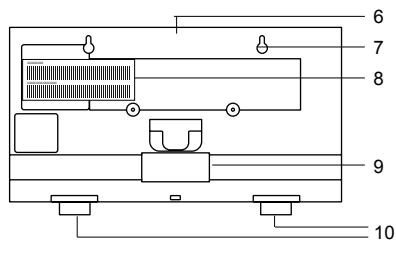
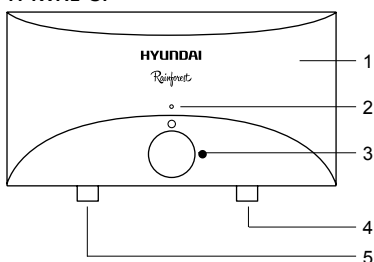
6P – номинальная потребляемая мощность 6,5 кВт

Тип прибора

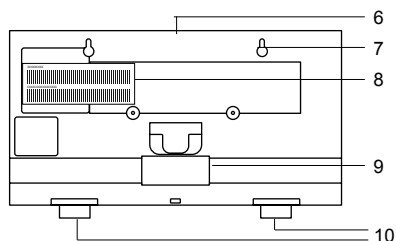
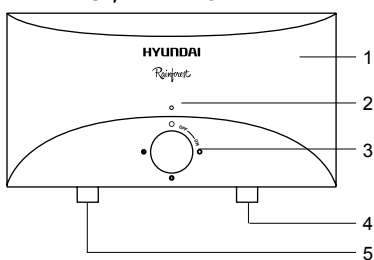
H-IWR1 – бытовой проточный водонагреватель

Внешний вид

H-IWR1-3P



H-IWR1-5P, H-IWR1-6P

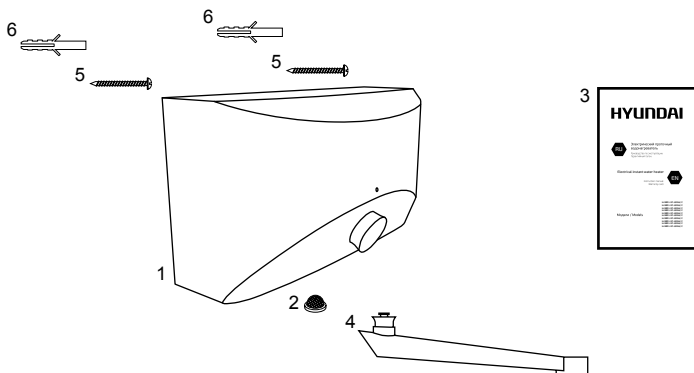


- 1 – Лицевая панель
- 2 – Индикатор питания
- 3 – Ручка включения/регулировки мощности
- 4 – Выход горячей (нагретой) воды
- 5 – Вход холодной воды

- 6 – Задняя панель
- 7 – Отверстия для монтажных шурупов
- 8 – Идентификационная наклейка
- 9 – Выемка под прокладку электрического кабеля
- 10 – Транспортировочные гайки

Аксессуары

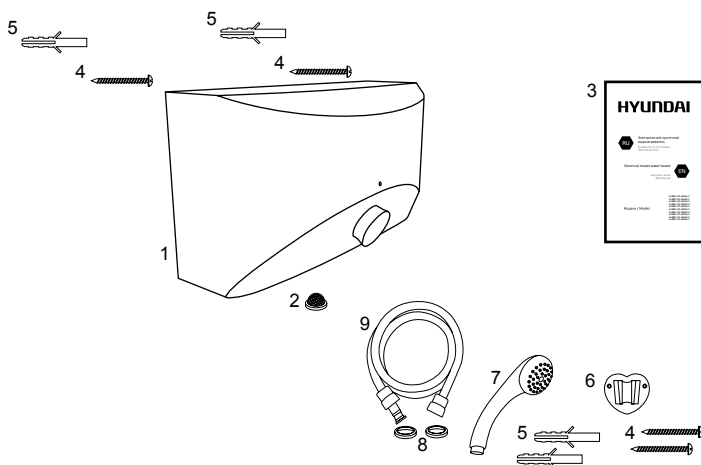
Комплектация «С»



- 1 – Водонагреватель
- 2 – Резиновая прокладка 1/2" с фильтром-сеткой
- 3 – Руководство пользователя
- 4 – Кран
- 5 – Монтажные шурупы
- 6 – Дюбели

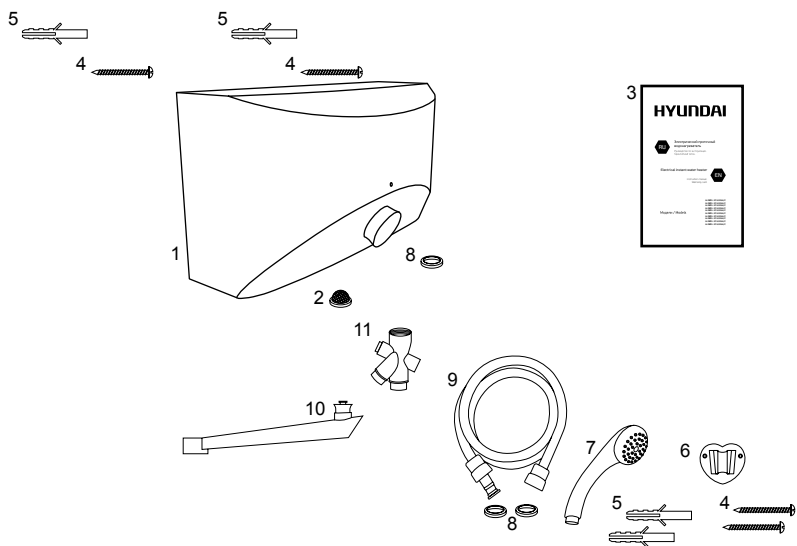


Комплектация «S»



- 1 – Водонагреватель
- 2 – Резиновая прокладка 1/2" с фильтром-сеткой
- 3 – Руководство пользователя
- 4 – Монтажные шурупы
- 5 – Дюбели
- 6 – Настенный держатель душевой насадки
- 7 – Душевая насадка
- 8 – Резиновые прокладки 1/2"
- 9 – Душевой шланг

Комплектация «CS»



- 1 – Водонагреватель
- 2 – Резиновая прокладка 1/2" с фильтром-сеткой
- 3 – Руководство пользователя
- 4 – Монтажные шурупы
- 5 – Дюбели
- 6 – Настенный держатель душевой насадки
- 7 – Душевая насадка
- 8 – Резиновые прокладки 1/2"
- 9 – Душевой шланг
- 10 – Кран
- 11 – Переходник кран/душ

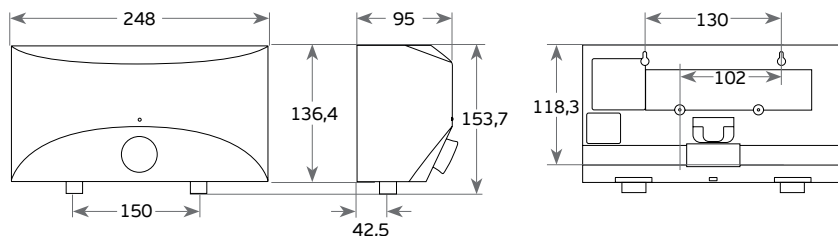
Технические параметры

Серия прибора	H-IWR1-3P*	H-IWR1-5P	H-IWR1-6P
Номинальная потребляемая мощность, Вт	3500	5500	6500
Номинальное напряжение, В	220	220	220
Номинальный ток, А/Гц	16/50	25/50	30/50
Количество режимов мощности	1	3	3
Мощность по режимам, Вт	3500	2200/3300/5500	3000/3500/6500
Класс влагозащиты	IPX4	IPX4	IPX4
Класс электрозащиты	I	I	I
Номинальное давление, МПа	0	0	0
Рабочее давление, МПа	0,07-0,6	0,07-0,6	0,07-0,6
Производительность при $\Delta t=20^{\circ}\text{C}$, л/мин	2.3	3.6	4.2
Максимальная температура нагрева воды, не более, $^{\circ}\text{C}$	85	85	85
Условия эксплуатации, $^{\circ}\text{C}$	0-35	0-35	0-35
Габаритные размеры (ВхШхГ), мм	153x248x95	153x248x95	153x248x95
Вес, нетто, кг	Вес нетто для каждой модели указана на технической наклейке, которая находится на приборе.		



* Водонагреватель серии H-IWR1-3P мощностью 3,5 кВт, предназначен для использования в летний период, при температуре воды на входе в водонагреватель не менее $+16^{\circ}\text{C}$ - $+18^{\circ}\text{C}$.

Габаритные и установочные размеры*



* Размеры указаны в мм, допускаются отклонения 1-5 мм

ПРАВИЛА БЕЗОПАСНОЙ ЭКСПЛУАТАЦИИ И УСТАНОВКИ ВОДОНАГРЕВАТЕЛЯ

При эксплуатации водонагревателя соблюдайте правила безопасности. Неправильная эксплуатация в силу игнорирования данных правил может привести к причинению вреда здоровью пользователя и других людей, а также нанесения ущерба их имуществу. Производитель не несёт ответственности за причинённый вред здоровью и повреждение имущества в результате неправильной установки и эксплуатации прибора.

Безопасность детей и лиц с ограниченными физическими возможностями

- Водонагреватель не предназначен для использования лицами (включая детей) с ограниченными физическими, сенсорными или умственными возможностями, обладающими недостаточным опытом и знаниями, если они не находятся под наблюдением и не получили инструкций по использованию прибора от лица, ответственного за их безопасность.
- Любой электроприбор должен находиться под наблюдением во время его эксплуатации, особенно, если неподалёку от него находятся дети.
- Внимательно следите за тем, чтобы дети не прикасались к прибору и не использовали его как элемент игры.
- Не позволяйте детям использовать водонагреватель без контроля взрослых.

RU

Общие правила безопасности

- Никогда не оставляйте включенный водонагреватель без присмотра.
- Всегда отключайте водонагреватель после его использования.
- Запрещено вносить изменения в конструкцию водонагревателя или модифицировать его.
- Никогда не используйте водонагреватель, если он неисправен.
- Не используйте водонагреватель во взрывоопасной или коррозионной среде. Не храните рядом с прибором бензин и другие летучие легковоспламеняющиеся жидкости.
- Не используйте водонагреватель, в целях, не предусмотренных данным руководством.
- Запрещается разбрызгивать воду на нагреватель или поливать его.
- Любые сервисные работы должны производиться специализированной организацией, квалифицированными специалистами.

Безопасность и предостережения при установке и подключении

- Установка водонагревателя в месте эксплуатации и подвод электропитания должны производиться специализированной организацией, представителями сервисной службы производителя или специалистами, имеющими разрешения на проведение работ по монтажу электрического оборудования, с соблюдением требований безопасности.
- При нарушении инструкции по установке и эксплуатации водонагревателя, прибор гарантийному обслуживанию не подлежит, а производитель ответственности не несет.
- Не устанавливайте водонагреватель в помещении, в котором температура может опускаться ниже 0°C
- Установка водонагревателя вне помещения запрещена.
- Перед установкой водонагревателя, не подключая его, проверьте и убедитесь, что в вашей электрической сети присутствует заземляющий контур. При отсутствии

заземляющего контура в вашей электрической сети эксплуатация водонагревателя опасна для жизни.

- Подключайте водонагреватель только к сети 220В/50Гц. При необходимости выясните характеристики своей сети у поставщиков электроэнергии.
- Запрещается подключение водонагревателя к электрической сети с помощью штепсельной вилки, за исключением серии H-IWR1-3P. Запрещается использование электрических удлинителей.
- Сечение электрического кабеля, используемого для подключения к электрической сети, должно быть рассчитано на номинальный ток водонагревателя.
- Следует помнить об увеличении сечения электрического кабеля, если он и водонагреватель расположены на термоизолированной или нагреваемой стене.
- Провода электрического кабеля в соединительной колодке водонагревателя и щите питания должны быть надёжно затянуты т. к. не плотно зажатое соединение может привести к нагреву проводов, что является очень пожароопасным.
- Следите за тем, чтобы электрический кабель не пересекал острых краев и не касался горячих поверхностей.
- Не подключайте заземляющий контур водонагревателя к трубам водопровода, газопровода и т.п.
- Убедитесь в правильном подключении электропроводки, в т.ч. к контуру заземления.
- Тщательно соблюдайте порядок подключения водонагревателя, поскольку неправильное подключение приведет к выходу его из строя и может причинить вред пользователю.
- Во избежание воздушных пробок и выхода прибора из строя установка водонагревателя на стене должна производиться строго в горизонтальном положении патрубками вниз.
- Не меняйте местами позиции входа и выхода воды, т.к. это приведет к поломке водонагревателя и может причинить вред пользователю (см. цветковые указатели «синий» - вход воды, «красный» - выход воды).
- Запрещается устанавливать отсечной кран на выходе воды и перекрывать выход воды, в т. ч. перегибанием душевого шланга.
- При использовании водонагревателя в ванной комнате устанавливайте его рекомендуется на высоте больше человеческого роста так, чтобы водные брызги не попадали на его корпус.
- Водонагреватель необходимо устанавливать и эксплуатировать только с оригинальными аксессуарами, поставляемыми в комплекте.



Безопасность и предостережения при эксплуатации и очистке



ВНИМАНИЕ!

Не включать, если существует возможность замерзания воды в водонагревателе.

- Водонагреватель предназначен только для использования в бытовых условиях в закрытых, тёплых помещениях. Водонагреватель не предназначен для промышленного использования.
- Водонагреватель предназначен только для нагрева воды. Не используйте прибор для нагревания других жидкостей, это может причинить серьезный вред водонагревателю, другому имуществу и Вашему здоровью.
- Температура воды на входе в водонагреватель не должна превышать +35 °С.

- Не снимайте лицевую панель водонагревателя во время его работы и до отключения от него электропитания.
- Незамедлительно отключите водонагреватель от электрической сети, если от него идут странные звуки, запах или дым.
- Не используйте водонагреватель с поврежденным электрическим кабелем или с другими повреждениями.
- Для диагностики и проведения ремонта обратитесь в ближайший авторизованный сервисный центр производителя в вашем регионе.
- Не допускайте засорения распылителя душевой насадки и распылителя крана.
- Перед началом очистки и технического обслуживания водонагревателя всегда отключайте его от электрической сети. Очистку и техническое обслуживание производите в соответствии с указаниями данного руководства по эксплуатации.
- Не используйте опасные химические вещества для чистки водонагревателя и не допускайте их попадания на него.

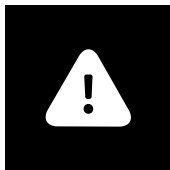
Утилизация

По окончании срока службы водонагреватель следует утилизировать. Подробную информацию по утилизации водонагревателя Вы можете получить у представителя местного органа власти.

Срок службы составляет около 10 лет. Срок службы прибора не равен гарантийному сроку.

RU

УСТАНОВКА



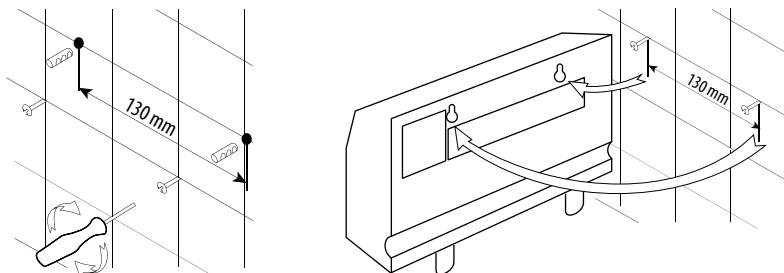
ВНИМАНИЕ!

См. «Правила безопасной эксплуатации и установки водонагревателя»

При установке водонагревателя неукоснительно соблюдайте законы, распоряжения, предписания и нормы (требования техники безопасности, правила и порядок утилизации, правила техники и электробезопасности и т.д.) действующие в Вашей стране, а также предписания местных предприятий по электроснабжению и водоснабжению.

Монтаж

При определении местоположения водонагревателя следует обеспечить свободный доступ к нему из расчёта не менее 0,3 м сверху, снизу и от боковых сторон. Это даст возможность максимально удобно обслуживать и регулировать водонагреватель при необходимости. Выбрав место установки водонагревателя, определите точки для отверстий под монтажные шурупы. Просверлите в стене 2 отверстия соответствующей глубины с использованием сверла, подходящего по размеру под дюбели и шурупы, прилагаемые к водонагревателю. Вставьте в отверстия в стене дюбели и заверните в них монтажные шурупы. Не закручивайте шурупы до конца. Шляпки шурупов должны отступать от стены на расстояние, необходимое для навески водонагревателя и его надёжного крепления. Повесьте на шурупы водонагреватель и проверьте надёжность крепления. Прибор должен быть установлен на стене строго горизонтально патрубками вниз. Для более надёжного крепления можно использовать сквозное отверстие в нижней части задней панели (см. п. «Габаритные и установочные размеры»), закрутив в стену через него дополнительный шуруп.

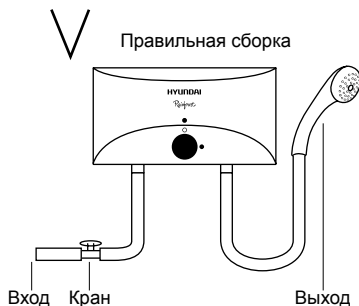


Подключение к водопроводной сети

Водонагреватель подсоединяется напрямую к водопроводной сети холодного водоснабжения с рабочим давлением от 0,07 МПа до 0,6 МПа. При давлении воды в водопроводной сети более 0,6 МПа в подводящей системе смонтируйте редукционный клапан (редуктор давления), чтобы рабочее давление не превышало 0,6 МПа. До подключения водонагревателя промойте проточной водой водопроводную трубу холодного водоснабжения.

При жесткости воды в водопроводной магистрали более 450 мг/л (CaCO₃), перед входом воды в водонагреватель рекомендуется использовать отдельный фильтр очистки воды для увеличения срока службы нагревательного элемента.

Водопроводную трубу холодного водоснабжения подсоедините к патрубку входа холодной воды, обозначенного синим цветом. Между трубой и патрубком установите резиновую прокладку с фильтром-сеткой, из прилагаемого комплекта. Патрубок имеет внешнюю резьбу диаметром 12 мм (G1/2"). К патрубку выхода нагретой воды, обозначенного красным цветом, подключите аксессуары из прилагаемого комплекта (см. п. «Аксессуары» и комплектацию вашего водонагревателя). Кран перекрывающий подачу холодной воды необходимо устанавливать перед её входом в водонагреватель. Запрещается установка перекрывающего крана на выходе нагретой воды из водонагревателя. Убедитесь в работоспособности водонагревателя, пропустив водяной поток через него. Проверьте плотность всех соединений и, если понадобится, подтяните их.



Подключение к электрической сети

Водонагреватель подключается к электрической сети переменного тока с напряжением 220 В трехжильным медным электрическим кабелем с минимальным сечением жилы и автоматом защиты в щите питания согласно представленной таблице:

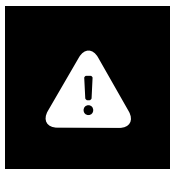
Серия прибора	Мощность, Вт	Сечение медного провода, не менее, мм ²	Автомат защиты, не менее, А
H-IWR1-3P*	3500	1,5	16
H-IWR1-5P	5500	2,5	25
H-IWR1-6P	6500	4,0	32

* - для подключения к электрической сети данная серия водонагревателя комплектуется сетевым шнуром и штепсельной вилкой, длиной 1,5 м и сечением медной жилы 3x1,5 мм²

Запрещено использование штепсельной электрической вилки и розетки при подключении водонагревателя к электрической сети, за исключением серии H-IWR1-3P. Водонагреватель должен быть стационарно (постоянно) подключен к источнику электропитания 220 В, переменного тока с обязательным подсоединением к заземляющему электрическому контуру. Удостоверьтесь в том, что сопротивление заземляющего контура составляет < 4 Ом. В водонагреватель электрический кабель вводится через заднюю стенку прибора и подсоединяется к соединительной колодке, согласно маркировке на задней панели прибора, где «⊕» - заземляющий провод, «L» - фазный провод, «N» - нулевой провод. Для ввода электрического кабеля и его подключения необходимо снять лицевую панель прибора, открутив крепёжные винты в его верхней и нижней части. После подключения электрического кабеля к соединительной колодке удостоверьтесь, что все зажимные винты колодки зажаты надёжно. Закрепите кабель внутри обогревателя, с помощью прижимной пластины, установите на место лицевую панель и закрутите крепёжные винты в верхней и нижней части прибора.

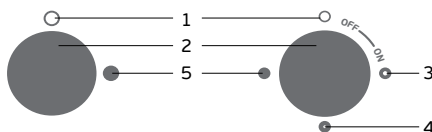
RU

ЭКСПЛУАТАЦИЯ



ВНИМАНИЕ!

См. «Правила безопасной эксплуатации и установки водонагревателя»



* - расчетный ресурс работы индикатора питания 3000 часов без прерыва, поэтому для увеличения времени работы индикатора питания отключайте прибор от электрической сети после его использования.

- 1 – Положение «Выключено»
- 2 – Ручка включения/регулировки мощности
- 3 – Положение низкой мощности
- 4 – Положение средней мощности
- 5 – Положение полной мощности

При первом запуске в работу или после длительного не использования водонагревателя, заполните его водой, для чего откройте запорный кран подачи холодной воды и убедитесь, что на выходе воды в точке потребления устойчиво течет холодная вода, после чего включите электропитание прибора, при этом должен загореться индикатор питания на лицевой панели*.

Для включения нагрева установите ручку включения в положение «●» при наличии достаточного протока и давления воды не менее 0,08 МПа водонагреватель начнёт нагревать воду.

Входящая вода нагревается внутри нагревательной колбы во время протекания через нагревательный элемент. Температура воды в водопроводной сети может колебаться в течение года +3 °С до +20 °С, поэтому для получения оптимальной температуры воды зимой проток следует делать меньше, чем летом. Поток воды контролируется краном на входе воды в водонагреватель. Запрещено устанавливать отсечной кран и/или перекрывать подачу воды на выходе из водонагревателя.

После включения нагрева необходимо подождать 10-20 секунд для стабилизации температуры нагреваемой воды.

Для регулировки температуры горячей воды используйте кран на входном патрубке (вход холодной воды). Уменьшая поток воды, вы увеличиваете температуру воды на выходе и, соответственно, наоборот. Так же для водонагревателей серии H-IWR1-5P, H-IWR1-6P, чтобы изменить температуры воды установите ручку включения/регулировки мощности в положение низкой мощности «●» или в положение средней мощности «●».

Для включения водонагревателя установите ручку включения/регулировки мощности в положение «○», закройте кран подачи холодной воды на входе и отключите электропитание водонагревателя.



ОЧИСТКА

В процессе пользования водонагревателем в отверстиях распылителя душевого или крана может появляться накипь. Это снижает эффективность нагрева, ухудшает разбрызгивание воды и повышает давление воды в нагревательной колбе.

Для предотвращения подобных явлений необходимо осуществлять периодическую очистку распылителя с применением бытовых химических средств и мягких щеток. Не применяйте для чистки абразивные чистящие вещества и химические средства не предназначенные для этого.

Перед очисткой внешних поверхностей водонагревателя отключите прибор от электрической сети и дайте ему возможность полностью остыть. Очистите внешнюю поверхность корпуса прибора с помощью слегка влажной, мягкой тряпочки, а затем протрите насухо. Не используйте для чистки абразивные чистящие средства.

Если скорость подачи воды из водонагревателя уменьшилась, необходимо очистить фильтр грубой очистки (резиновая прокладка с фильтром-сеткой), установленный на входе холодной воды в водонагреватель. Для этого отключите прибор от электрической сети и дайте ему возможность полностью остыть, перекройте подачу холодной воды, открутите трубу холодного водоснабжения от водонагревателя, выньте резиновую прокладку с фильтром-сеткой и промойте ей под струей проточной воды. Восстановите соединительную подводку в обратной последовательности.

ПОИСК И УСТРАНЕНИЕ НЕИСПРАВНОСТЕЙ

Неисправность	Возможные причины	Устранение
При включении питания индикатор питания не загорается.	Отсутствует электропитание.	Проверьте, не отключено ли электропитание.
Индикатор питания горит, вода не греется.	<ol style="list-style-type: none"> 1. Проток воды менее необходимого уровня 2. Переключатель режимов мощности выключен. 3. Сработало устройство ограничения температуры 85°C из-за перегрева. 4. Слишком маленькое давление воды в водопроводной системе. 5. Низкое напряжение а электрической сети. 	<ol style="list-style-type: none"> 1. Увеличьте проток воды. 2. Установите ручку включения/регулировки мощности в положение «●». 3. Подождите, пока ограничитель температуры 85°C остынет и включится. 4. Подождите, когда восстановится нормальное давление воды в системе. 5. Подождите, когда стабилизируется напряжение в электрической сети.
Из крана выхода нагретой воды не идет вода.	<ol style="list-style-type: none"> 1. Отключена подача воды. 2. Не открыт входной кран холодной воды. 	<ol style="list-style-type: none"> 1. Подождите восстановления подачи воды в водопроводной системе. 2. Откройте входной кран холодной воды.
Утечка воды.	Проблема с герметичностью соединений.	Восстановите герметичность соединений.
Температура воды на выходе из водонагревателя иногда горячая, иногда холодная.	<ol style="list-style-type: none"> 1. Нестабильное давление воды. 2. Температура воды на выходе из водонагревателя слишком велика, снова и снова срабатывает защита от перегрева. 	<ol style="list-style-type: none"> 1. Используйте водонагреватель, как только стабилизируется давление воды. 2. Уменьшите мощность нагрева, увеличьте проток воды.

Электрический проточный водонагреватель

HYUNDAI

| 29.

СЕРТИФИКАЦИЯ

При отсутствии копии нового сертификата в коробке, спрашивайте копию у продавца.



УВАЖАЕМЫЙ ПОКУПАТЕЛЬ!

Мы всегда рады предложить Вашему вниманию удобные пользовательские сервисы и продукты, нацеленные на то, чтобы сделать использование и обслуживание техники Hyundai еще более комфортным и удобным.

Именно поэтому мы рекомендуем Вам воспользоваться услугами специализированного портала www.btport.ru, с помощью которого Вы можете заказать и оформить доставку всех необходимых расходных материалов и запчастей в течение гарантированного срока.

Всю дополнительную информацию о работе портала Вы можете найти на сайте www.hc-hvac.ru



Электрический проточный водонагреватель

HYUNDAI

| 31.



HYUNDAI



Гарантийный талон

Территория действия:
Российская Федерация

Уважаемый покупатель! Обратите особое внимание на стр. 44

Действителен с Января 2014 года



Гарантийные обязательства

Бытовое изделие Hyundai

Гарантийное обслуживание и ремонт бытовой техники Hyundai с соблюдением требований и норм Изготовителя (Hyundai) производятся на территории РФ только в фирменных сервисных центрах Изготовителя или мастерских, уполномоченных производителем и работающих с ним на основании договора. Срок проведения экспертизы и гарантийного ремонта - не более 45 дней с момента приемки дефектного изделия авторизованным сервисным центром Hyundai.

Если при эксплуатации изделия Вы столкнулись с неполадками в его работе, которые Вы не можете устранить самостоятельно в строгом соответствии с Руководством по эксплуатации изделия, обратитесь к региональному представителю Изготовителя в России или в региональный авторизованный сервисный центр Hyundai, уточнив адрес у продавца. Полный перечень сервисных центров указан на сайте www.hc-hvac.ru или приложен отдельным списком в комплекте с изделием.

Вы можете обратиться в уполномоченную сервисную службу Изготовителя по телефону **+7 (495) 627-5285**, либо по телефонам, указанным на сайте www.hc-hvac.ru, или отправить сообщение по электронному адресу **service@hc-hvac.ru**

Гарантируется безотказная работа изделия в соответствии со сроками, указанными в гарантийном талоне. Обязательно ознакомьтесь с условиями гарантийных обязательств и требуйте от продавца правильного и четкого заполнения гарантийного талона.



ВНИМАНИЕ!

Сервисная сеть Hyundai рассматривает гарантийные требования при наличии правильно заполненного оригинального гарантийного талона установленного Изготовителем образца, товарного (кассового) чека или другого документа, подтверждающего дату и факт продажи на территории РФ.

Если отсутствие надлежащим образом заполненного гарантийного талона на изделие или отсутствие чека с указанием изделия не позволяет идентифицировать изделие и факт его продажи на территории РФ, то Изготовитель вправе отказать в гарантийном обслуживании изделия.

При невозможности определить дату продажи изделия, гарантийный срок исчисляется с даты его производства.

Дата производства изделия определяется по реестру Изготовителя в соответствии с серийным номером изделия.

На каждое изделие выписывается отдельный гарантийный талон.

Дорогой покупатель техники Hyundai,

мы выражаем Вам огромную признательность за Ваш выбор. Hyundai сделал все возможное, чтобы данное изделие удовлетворяло Вашим запросам, приносило радость и уют в Ваш дом, а качество соответствовало лучшим мировым образцам для данного класса изделия. Официальные сроки службы на изделия Hyundai разных видов, предназначенных для использования в быту, установлены изготовителем:

- для электрических конвекторов - до 20 лет;
- для кондиционеров воздуха, осушителей - 10 лет;
- электрических тепловых пушек и завес - 7 лет;
- инфракрасных обогревателей - 8 лет;

- электрических водонагревателей проточного типа - 3 года;
- электрических водонагревателей накопительного типа - 10 лет;
- остальных изделий - от 3 до 5 лет.

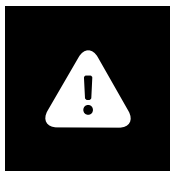
Указанные сроки службы действительны только при условии соблюдения правил эксплуатации и правильного ухода за изделиями.

Полную информацию об официальных сроках службы для выбранной Вами модели Вы сможете найти на сайте www.hc-hvac.ru. Учитывая высокое качество, надежность и степень безопасности продукции Hyundai, фактический срок эксплуатации может значительно превышать официальный.

Заполнение гарантийного талона

Во избежание недоразумений убедительно просим Вас внимательно изучить Руководство по эксплуатации изделия и условия гарантийных обязательств, проверить правильность заполнения гарантийного талона. Согласно требованиям Изготовителя, гарантийный талон действителен только при наличии четко и правильно указанных данных: модели, серийного номера изделия, даты покупки, данных фирмы-продавца, подписи покупателя. Соответствующие данные также должны быть указаны продавцом на отрывных талонах. В отдельных случаях в гарантийном талоне обязательным является указание даты запуска изделия в эксплуатацию и штамп уполномоченной организации, производшей запуск в эксплуатацию (для изделий, требующих монтажа или предпусковой подготовки сертифицированным специалистом в соответствии с Руководством по эксплуатации). При проведении планового профилактического обслуживания изделия (там где это необходимо согласно руководству по эксплуатации) специалист сервисного центра обязан заполнить соответствующую часть гарантийного талона, поставить подпись и печать сервисного центра.

Модель и серийный номер изделия (на маркировочной (идентификационной) наклейке Изготовителя на изделии (ID) должны соответствовать указанным в гарантийном талоне продавцом. При нарушении этих условий, а также в случае, когда данные, указанные в гарантийном талоне, изменены или стерты, талон может быть признан недействительным.



ВНИМАНИЕ!

Производитель рекомендует приобретать приборы Hyundai только у авторизованных продавцов (см. условия на стр. 42-44).

Общие гарантийные условия

Данным гарантийным талоном Изготовитель подтверждает принятие на себя обязательств по удовлетворению законных требований потребителей в случае обнаружения недостатков изделия, возникших по вине Изготовителя в течение установленного гарантийного срока. Сроки действия гарантии на отдельные типы изделий указаны на стр. 42.

Гарантийные обязательства дополняют и уточняют оговоренные законом обязательства, предполагающие соглашение сторон либо договор; выдаются Изготовителем в дополнение к законным правам потребителей и ни в коей мере их не ограничивают.

Гарантия Изготовителя действительна только на территории РФ на изделия, купленные на территории РФ и изготовленные для РФ. Наличие надлежащим образом заполненного гарантийного талона и чека необходимо в целях возможности идентификации таковых изделий и факта их законной продажи на территории РФ.

Изготовитель оставляет за собой право:

- отказать в гарантийном сервисном обслуживании изделия в случае несоблюдения изложенных ниже условий (см. «Досрочное прекращение гарантийного обслуживания»);
- самостоятельно инициировать независимую экспертизу для выяснения обстоятельств, приведших к выходу прибора из строя;
- сравнивать предоставленную маркировочную (идентификационную) наклейку изделия (ID) с данными реестров производства для проверки соответствия серийного номера изделия уникальным производственным номерам реестров.
- предоставлять дополнительную гарантию; информация об условиях дополнительной гарантии содержится на сайте www.hc-hvac.ru.



Просим Вас хранить Гарантийный талон в течение всего гарантийного срока, установленного Изготовителем на приобретенное Вами изделие.

При покупке изделия требуйте от продавца проверку его комплектности и отсутствия механических повреждений в Вашем присутствии, а также правильного и четкого заполнения данного гарантийного талона. Претензии по некомплектности и выявленным механическим повреждениям после продажи не принимаются. Для гарантийного ремонта предъявляйте Гарантийный талон вместе с чеком покупки с указанной датой покупки.



Общие правила установки, подключения и запуска в эксплуатацию изделий, для которых требуется выполнение этих работ специализированными организациями.

Установка, подключение и запуск в эксплуатацию изделий торговой марки Hyundai допускается исключительно специалистами и организациями, имеющими лицензии или соответствующие разрешения (допуски) на данный вид деятельности, либо специалистами и организациями, авторизованными для монтажа и/или обслуживания данного вида техники.

О необходимости проведения тех или иных монтажных и/или сервисных работ специализированными организациями Вы можете узнать, внимательно ознакомившись с Руководством по эксплуатации на приобретенное Вами изделие.

Для монтажа приобретенного оборудования Вы можете воспользоваться платной услугой специалистов авторизованных сервисных центров Hyundai, которые проведут все необходимые работы для длительного и безопасного использования приобретенного Вами изделия.

Вы можете также воспользоваться услугами любых других квалифицированных специалистов, однако, в этом случае, если изделие вышло из строя вследствие неправильной установки и подключения, Вы теряете право на бесплатное гарантийное обслуживание.

Досрочное прекращение гарантийного обслуживания.

Все условия гарантийного обслуживания регулируются Законодательством РФ и Законом РФ «О защите прав потребителей». В частности, отказ в бесплатном гарантийном обслуживании изделия может быть вызван:

- нарушением при оформлении гарантийного талона при продаже изделия;

- отсутствием товарного или кассового чека о продаже изделия или невозможностью определить продавца изделия;
- наличием следов механических повреждений, возникших после передачи изделия потребителю и явившихся возможной причиной возникновения дефекта;
- наличием повреждений, вызванных несоответствием стандартам параметров питающих сетей и других подобных внешних факторов, а также вызванных использованием нестандартных, неоригинальных (или некачественных) аксессуаров, принадлежностей, запасных частей, элементов и т.д.;
- нарушением правил Руководства по эксплуатации данного изделия;
- наличием следов несанкционированного вскрытия и/или ремонта изделия (за исключением случаев, предусмотренных Руководством по эксплуатации), повлекших за собой отказ в работе изделия;
- дефектом или отказом системы или ее части, где изделие использовалось как часть системы и это могло привести к дефекту или отказу изделия.



ВНИМАНИЕ!

Если в результате экспертизы/диагностики изделия установлено, что его недостатки возникли вследствие обстоятельств, за которые не отвечает продавец (изготовитель), либо недостатки в товаре отсутствуют, Потребитель обязан возместить продавцу (изготовителю или уполномоченной изготовителем организации) расходы на проведение экспертизы (диагностики, а также связанные с ее проведением расходы на хранение и транспортировку товара) в соответствии с Законом РФ «О защите прав потребителей» № 171-ФЗ в ред. от 21.12.2004 ст. 18 п.5.



Гарантийные обязательства не распространяются на перечисленные ниже части и принадлежности изделия, если их замена не связана с разборкой самого изделия или их замена требуется при профилактическом обслуживании:

- внешние блоки питания и зарядные устройства;
- соединительные герметизирующие прокладки, переходники и переключатели;
- монтажные приспособления, инструмент и документацию, прилагаемую к изделию.
- расходные части изделия, подразумевающие периодическую замену за счет потребителя (анодные стержни, герметизирующие прокладки, фильтрующие элементы и др.);
- части и узлы изделия, неисправность которых связана с естественным износом в процессе эксплуатации (фильтрующие элементы, приводные ремни, ролики, свечи зажигания, втулки, подшипники и т.д.);
- материалы, наклеенные на изделие, имеющие рекламное или информационное назначение, за исключением маркировочной (идентификационной) наклейки Изготовителя (ID).



ВНИМАНИЕ!

Если маркировочная (идентификационная) наклейка на изделие Hyundai (ID) закреплена на изделии не плотно и существует риск ее утери, то вклейте ее в гарантийный талон на последней странице.

Изготовитель не несет гарантийных обязательств за изделие в следующих случаях:

- если изделие использовалось в иных целях, не соответствующих его прямому назначению в соответствии с Руководством по эксплуатации;
- если на изделии отсутствует маркировочная (идентификационная) табличка Изготовителя (ID);
- если изделие имеет следы несанкционированного вскрытия, не предусмотренного Руководством по эксплуатации, и попыток неквалифицированного ремонта;
- если дефект вызван изменением/нарушением конструкции или схемы изделия, не предусмотренным Изготовителем;
- если обнаружены повреждения, вызванные попаданием внутрь изделия посторонних предметов, веществ, жидкостей, насекомых, скоплением большого количества пыли;
- если обнаружены повреждения, связанные с замерзанием внутри прибора жидкостей, отложением накипи на нагревательных элементах и внутренних поверхностях прибора, вызванных большим содержанием в воде солей железа, натрия, кальция, марганца и др.;
- если обнаружены повреждения, вызванные подключением к сетям (электрической, водопроводной) с недопустимыми параметрами;
- если дефект вызван действием непреодолимых сил, несчастными случаями, умышленными или неосторожными действиями потребителя или третьих лиц;
- если нарушены требования Изготовителя по проведению обязательных для сохранения гарантии и продления срока службы профилактических работ, описанных в Руководстве по эксплуатации;
- неправильного хранения (консервации / разборки-сборки на период хранения) изделия;
- если монтаж и использование изделия производится без разрешительной документации исполнительных органов власти субъектов РФ там, где подобная документация требуется в соответствии с требованиями законодательства РФ (в т.ч. Жилищного Кодекса РФ);
- в случае эксплуатации изделия с неправильно отрегулированными газовыми клапанами, газовыми или гидравлическими редукторами, прочими блоками и устройствами, требующими предварительной и/или периодической настройки и регулировки (если данные виды работ производились неуполномоченными на то организациями или лицами, либо были нарушены сроки проведения плановых регламентных/профилактических работ согласно Руководству по эксплуатации).

Изготовитель снимает с себя любую ответственность за возможный вред, прямо и или косвенно нанесенный продукцией Hyundai людям, домашним животным, и имуществу, в случаях, если это произошло в результате несоблюдения правил и условий эксплуатации или вследствие неквалифицированной установки (профилактики, обслуживания, ремонта) изделия, умышленных или неосторожных действий потребителя или третьих лиц.

Особые условия гарантийного обслуживания для отдельных типов техники.

Газовое оборудование

Гарантия Изготовителя имеет силу только в случае установки, подключения и пуска в эксплуатацию газового оборудования (газовые котлы, обогреватели и водонагреватели) авторизованной специализированной организацией с обязательным составлением Акта запуска в эксплуатацию и указанием в гарантийном талоне даты запуска и штампа организации, произведшей первый запуск. Исключение составляют изделия, для которых Руководством по эксплуатации предусмотрены самостоятельные установка, подключение и запуск в эксплуатацию самим потребителем.



Организация, производящая запуск в эксплуатацию и/или последующее сервисное обслуживание газового оборудования, должна иметь лицензии и/или разрешения на соответствующий вид деятельности (вид работ), а специалисты этой организации должны иметь соответствующие удостоверения (допуски) на проведение газовых работ.



Помните!

Изготовитель/импортер/продавец не несет ответственности в случае возникновения недостатков изделия из-за неправильных/некачественных монтажных, пусконаладочных, сервисных, профилактических работ неавторизованными организациями и специалистами.

Водонагревательное оборудование

Гарантийные обязательства Изготовителя не распространяются на случаи:

- если обнаружены повреждения, связанные с замерзанием внутри прибора жидкостей, отложением накипи на нагревательных элементах и внутренних поверхностях прибора, вызванных большим содержанием в воде солей железа, натрия, кальция, марганца и др.;
- если обнаружены повреждения, вызванные подключением к сетям (электрической, водопроводной) с недопустимыми параметрами, даже в случае кратковременного и однократного превышения параметров, указанных на маркировочной табличке Изготовителя на приборе и в Руководстве по эксплуатации на изделие;
- если водонагреватель эксплуатировался без защитных устройств или совместно с устройствами, имеющими не соответствующие водонагревателю технические характеристики и/или не рекомендованными Изготовителем (см. на сайте www.hc-hvac.ru или в Руководстве по эксплуатации);
- если обнаружены повреждения внутренних эмалированных емкостей из-за коррозии вследствие несвоевременной замены анодного стержня;
- если прибор вышел из строя в случае неиспользования потребителем умягчителя воды в районах, где вода по жесткости отличается от нормативов, принятых Изготовителем (см. на сайте www.hc-hvac.ru или в Руководстве по эксплуатации).

Таблица 1

Рекомендуемые профилактические работы для увеличения срока гарантии на внутреннюю ёмкость водонагревателя и нагревательный(-е) элемент (-ы), а также для выполнения условия долговременной работы водонагревателя в рамках заявленного срока службы и более.

Наименование рекомендуемых профилактических работ	Периодичность выполнения рекомендуемых профилактических работ для увеличения гарантии на нагревательный (-е) элемент (-ы)	Периодичность выполнения рекомендуемых профилактических работ для увеличения гарантии на внутреннюю ёмкость
Первоначальная проверка наличия и интенсивности образования накипи на нагревательном (-ых) элементе (-ах), определение сроков последующей проверки и удаления накипи, а также при необходимости удаление накипи с нагревательного (-ых) элемента (-ов).	Через первые 0,5 года после начала эксплуатации	-
Удаление накипи с нагревательного (-ых) элемента (-ов).	Не реже 1 раза в год или чаще в зависимости от определения интенсивности образования накипи на нагревательном (-ых) элементе (-ах), при первоначальной проверке.	-
Первоначальная проверка интенсивности образования накипи и осадка во внутренней ёмкости, определение сроков последующей проверки и очистки водонагревателя, а также при необходимости очистка водонагревателя.	-	Через первые 0,5 года после начала эксплуатации
Очистка внутренней емкости водонагревателя.	Не реже 1 раза в год или чаще в зависимости от определения интенсивности образования накипи и осадка во внутренней ёмкости, при первоначальной проверке.	Не реже 1 раза в год или чаще в зависимости от определения интенсивности образования накипи и осадка во внутренней ёмкости, при первоначальной проверке.



Первоначальная проверка состояния магниевого анода, интенсивности его разложения, определения сроков последующей проверки и замены магниевого анода, а также при необходимости его замены.

Через первые 0,5 года после начала эксплуатации

Через первые 0,5 года после начала эксплуатации

Замена магниевого анода.

Не реже 1 раза в год или чаще в зависимости от определения интенсивности разложения магниевого анода, при первоначальной проверке.

Не реже 1 раза в год или чаще в зависимости от определения интенсивности разложения магниевого анода, при первоначальной проверке.

ПРИМЕЧАНИЕ:

Периодичность профилактического обслуживания, а также сроки замены анодного стержня для водонагревателей устанавливается мастером авторизованного сервисного центра при первом плановом обслуживании и определяется исходя из условий эксплуатации водонагревателя, жесткости и степени загрязненности воды. При проведении работ специалистом сервисного центра должна быть произведена соответствующая отметка в гарантийном талоне. При самостоятельном проведении замены анодного стержня владелец должен сохранять чеки на покупку анодного стержня.



RU

Кондиционеры, устройства с компрессором

Гарантийные обязательства Изготовителя не распространяются на случаи:

- если покупатель самостоятельно без учета рекомендаций Изготовителя и продавца купил кондиционер надлежащего качества и установил в помещении, для которого изделие не подходит по своим техническим характеристикам;
- некачественного монтажа неавторизованной организацией/частными лицами, если не была правильно проведена вакуумизация трубопроводов, была проведена заправка недостаточного количества хладагента или допущены другие ошибки при монтаже (перегиб трубопроводов,
- негоризонтальное расположение блоков, нарушение допустимых перепадов высот установки между блоками и т.д.);
- эксплуатации изделия в недопустимых условиях и с нарушением режимов работы, прописанных в Руководстве по эксплуатации (например, использование режима обогрева сплит-системой при наружной температуре ниже -5°C без специального предохранительного от низкой температуры комплекта);
- если неисправность была вызвана нарушением сроков периодического обслуживания изделия;
- если неисправность была вызвана сильными загрязнениями фильтров и/или испарителя/конденсатора пылью, листвой, насекомыми и другими предметами.

Таблица 1

Рекомендуемые профилактические работы для увеличения срока гарантии на компрессор кондиционера, а также для выполнения условия долговременной работы кондиционера, в рамках заявленного срока службы и более.

Наименование рекомендуемых профилактических работ	Для бытовых помещений		Для офисных помещений		Для торговых помещений	
	Рекомендуемый интервал	Рекомендуемые сроки	Рекомендуемый интервал	Рекомендуемые сроки	Рекомендуемый интервал	Рекомендуемые сроки
Чистка теплообменников внешнего и внутреннего блоков						
Мойка ванны для сбора конденсата						
Продувка трубопровода конденсата	Не реже 1-го раза в год	Июль	Не реже 2-х раз в год	Май, август	Не реже 3-х раз в год	Май, июль, сентябрь
Общая проверка системы						
Дозаправка (при необходимости)						



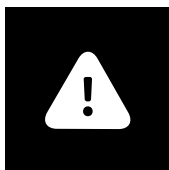
Электрические обогреватели

- Гарантийные обязательства Изготовителя не распространяются на случаи:
- если обогреватель эксплуатировался в положении, отличном от указанного в Руководстве по эксплуатации на данный прибор;
- если неисправность изделия возникла в результате попадания внутрь изделия посторонних предметов, веществ, жидкостей, насекомых, скоплением большого количества пыли;
- если в процессе эксплуатации был затруднен проход воздуха через вентиляционные отверстия и решетки (например, прибор накрывался какими-либо предметами, шторами, производилась сушка одежды без использования специальных, предусмотренных Изготовителем в Руководстве по эксплуатации устройств, большое скопление пыли снаружи и внутри прибора и т.д.)



ВНИМАНИЕ!

Если вы устанавливаете электрический конвектор без защиты от опрокидывания на ножки, то гарантия на прибор считается аннулированной, и потребитель осуществляет ремонт прибора полностью за свой счет. Электрические конвекторы с защитой от опрокидывания имеют специальную информацию на упаковочной коробке, также эта информация содержится в инструкции по эксплуатации прибора.



ВНИМАНИЕ!

Пожалуйста, потребуйте от продавца полностью, четко и правильно заполнить бланк Гарантийного талона.

Стандартные гарантийные сроки для изделий, произведенных начиная с 01.01.2014 и имеющих ID установленной формы (см. рис. 1):

- электрические кондиционеры воздуха, осушители воздуха, электрические маслонаполненные радиаторы, тепловые пушки, завесы - 2 года;
- электрические конвекторы, конвекционные радиаторы, панели, прочие электрические и газовые приборы (в т.ч. водонагреватели) - 1 год.

В части гарантии действуют дополнительные нормы, увеличивающие срок гарантии для различных компонентов ряда изделий:

Накопительные водонагреватели:

- Гарантия на течь емкости баков объемом более 30 литров включительно - 2 года (5 лет*);
- гарантия на течь емкости баков объемом менее 30 литров - 2 года (3 года*);
- гарантия на нагревательные элементы - 3 года*

Электрические конвекторы:

- нагревательный элемент серии - 3 года*

Кондиционеры воздуха:

- компрессор сплит-систем - 3 года*

* - **увеличенная гарантия** на отдельные компоненты и узлы изделий действует только при условии регулярного проведения периодического обслуживания изделия специалистами авторизованного сервисного центра. После каждого обслуживания в гарантийном талоне должны проставляться печати сервисного центра, подтверждающие факт прохождения

обслуживания. Если пользователь пропускает хотя бы одно обслуживание, то увеличенная гарантия на указанный компонент перестает действовать, и гарантия остается стандартной, как на весь прибор в целом. Перечень профилактических работ, а также примерные сроки прохождения периодического обслуживания, указаны в таблицах 1 и 2.



Рис. 1

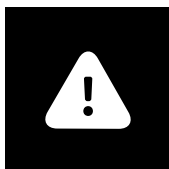


ВНИМАНИЕ!

Техническое (профилактическое) обслуживание изделия (в т.ч. замена магниевго анода водонагревателя) не входит в гарантийные обязательства изготовителя и продавца и является дополнительной платной услугой.



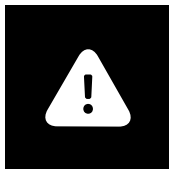
Для ряда территорий могут действовать исключительные правила гарантии, увеличивающие срок на изделие или компоненты. Такие правила устанавливаются только по распоряжению Производителя официальным письмом Производителя.



ВНИМАНИЕ!

Если изделие использовалось в соответствии с его целями применения, установленными Руководством по эксплуатации, в рамках осуществления предпринимательской деятельности, то гарантийный срок изделия составляет 3 (три) месяца с момента продажи изделия или 5 (пять) месяцев с момента производства изделия, если дата продажи не установлена*.

Срок проведения экспертизы и гарантийного ремонта - не более 45 дней с момента приемки дефектного изделия авторизованным сервисным центром Hyundai.



ВНИМАНИЕ!

Большинство приборов торговой марки Hyundai требуют профессиональных консультаций со специалистами соответствующей квалификации в процессе подбора, а также при вводе их в эксплуатацию. Производитель рекомендует приобретать приборы Hyundai только у авторизированных им продавцов. В предоставлении дополнительной гарантии может быть отказано, если прибор Hyundai был приобретен у продавцов, указанных в соответствующем разделе на сайте www.hc-hvac.ru, не исполняющих полностью или частично требований производителя к правилам обслуживания покупателей, а также требований производителя к предоставлению стандартных условий приобретения приборов Hyundai.

* Кроме кондиционеров воздуха, смотри стр. 40

Покупатель информирован о том, что он не вправе требовать возврата или обмена купленного изделия в порядке статьи 25 Закона «О защите прав потребителей» и статьи 502 Гражданского Кодекса РФ в соответствии с п.11 «Перечня непродовольственных товаров надлежащего качества, не подлежащих возврату или обмену на аналогичный товар другого размера, формы, габарита, фасона, расцветки или комплектации» Постановления Правительства РФ от 19.01.1998 г. №55.

Подписывая данный гарантийный талон, Покупатель признает, что он:

1. Проверил заполнение информации на стр. 45
2. Получил Руководство по эксплуатации на изделие на русском языке.
3. Владеет всей необходимой информацией о приобретенном изделии и его потребительских свойствах, характеристиках в соответствии со статьей 10 Закона РФ «О защите прав потребителей».
4. Ознакомлен и полностью согласен с условиями и ограничениями гарантийного обслуживания, а также с условиями установки / подключения / сервисного обслуживания / эксплуатации приобретенного изделия.
5. Не имеет претензий к внешнему виду / комплектности / работоспособности (если прибор проверялся в его присутствии при продаже) приобретенного изделия.

RU

Подпись покупателя (с расшифровкой)

_____ / _____

Дата

Гарантийный талон



ВНИМАНИЕ!

Пожалуйста, потребуйте от продавца полностью заполнить гарантийный талон и отрывные талоны.

Заполняется фирмой-продавцом

Изделие
Модель
Серийный номер
Дата продажи
Фирма-продавец
Адрес фирмы-продавца
Телефон фирмы-продавца

Без подписи покупателя на странице 44 Гарантийный талон является недействительным.

Заполняется установщиком

Сведения об установке изделия

Фирма-установщик
Номер сертификата
Дата установки
Мастер

HYUNDAI

Печать
фирмы
-продавца

Заполняется сервисным центром

«А»

Дата приема

Дата выдачи

Особые отметки

Печать
сервисного
центра

«Б»

Дата приема

Дата выдачи

Особые отметки

Печать
сервисного
центра

«В»

Дата приема

Дата выдачи

Особые отметки

Печать
сервисного
центра

«Г»

Дата приема

Дата выдачи

Особые отметки

Печать
сервисного
центра

Дата приема	
Дата выдачи	
Особые отметки	
Номер заказа-наряда	
Проявление дефекта	
Мастер	Печать
Код неисправности	сервисного
	Заполняется сервисным центром	центра

Дата приема	
Дата выдачи	
Особые отметки	
Номер заказа-наряда	
Проявление дефекта	
Мастер	Печать
Код неисправности	сервисного
	Заполняется сервисным центром	центра

Дата приема	
Дата выдачи	
Особые отметки	
Номер заказа-наряда	
Проявление дефекта	
Мастер	Печать
Код неисправности	сервисного
	Заполняется сервисным центром	центра

Дата приема	
Дата выдачи	
Особые отметки	
Номер заказа-наряда	
Проявление дефекта	
Мастер	Печать
Код неисправности	сервисного
	Заполняется сервисным центром	центра

Отрывной талон «А»

Изделие	HYUNDAI
Модель	
Серийный номер	
Дата продажи	
Фирма-продавец	Печать сервисного центра
Заполняется фирмой-продавцом		

Отрывной талон «Б»

Дата приема	HYUNDAI
Дата выдачи	
Особые отметки	
Номер заказа-наряда	
Проявление дефекта	
Мастер	Печать сервисного центра
Код неисправности	
Заполняется фирмой-продавцом		

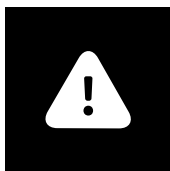
Отрывной талон «В»

Дата приема	HYUNDAI
Дата выдачи	
Особые отметки	
Номер заказа-наряда	
Проявление дефекта	
Мастер	Печать сервисного центра
Код неисправности	
Заполняется фирмой-продавцом		

Отрывной талон «Г»

Дата приема	HYUNDAI
Дата выдачи	
Особые отметки	
Номер заказа-наряда	
Проявление дефекта	
Мастер	Печать сервисного центра
Код неисправности	
Заполняется фирмой-продавцом		

Страна	Наименование сервисного центра	Код города	Телефон	Фактический адрес, электронный адрес	Примечание
Россия	ООО «Авангард Холго»	(495)	710-71-72, 627-52-85	г. Москва, Ленинградское ш., д. 57, корп.12, 2 этаж service@hc-hvac.ru	Единая сервисно-информационная служба на территории России.
Казахстан				kz.service@hyundai-hvac.com	
Белорусия				by.service@hyundai-hvac.com	



Вниманию покупателей!

Список сервисных центров Hyundai может быть дополнен или изменен без специального предварительного уведомления. Информация регулярно обновляется на сайте www.hc-hvac.ru, в разделе «Сервис».

Также вы всегда можете задать свои вопросы, касающиеся сервисного обслуживания техники Hyundai, позвонив по телефону +7 (495) 627-5285.

Если у вас возникли претензии к работе сервисного центра Hyundai в вашем городе, просьба информировать об этом Генерального сервисного партнера Hyundai по телефону +7 (495) 627-5285 или электронной почте service@hc-hvac.ru своевременно. Также мы будем благодарны, если вы сообщите нам о некорректных данных (адрес, контактный телефон, название и т.п.) сервисного центра Hyundai в вашем городе, указанного в этой специальной информационной вкладке.

Ваши пожелания помогут нам организовать сервисную поддержку техники Hyundai на более высоком уровне.
Спасибо за сотрудничество!



**KO**

제품 품질 보증 쿠폰은 해당 지역 딜러에게 요청하시기 바랍니다.

**EN**

Ask distributor of your region for Warranty Coupon of a product.

**ES**

Pida la garantía al distribuidor en su país.

**KZ**

Бұйымның кепілдік талонын сатылған ел аумағындағы дистрибьютордан сұрастырыңыз.

**BY**

Гарантыйны талон на выраб запытваць у дыстрыбутара на тэрыторыі краіны продажу.

HYUNDAI

Licensed by Hyundai Corporation, Korea

www.hyundai-hvac.com



EAC CE