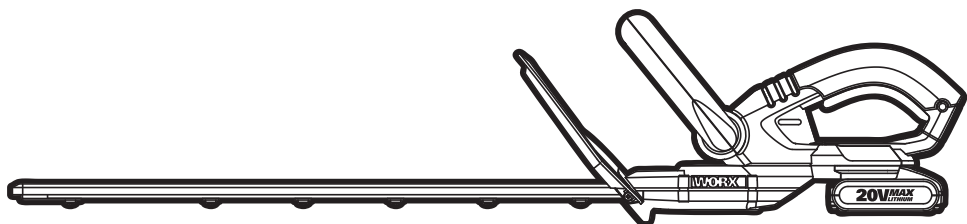


WORX®

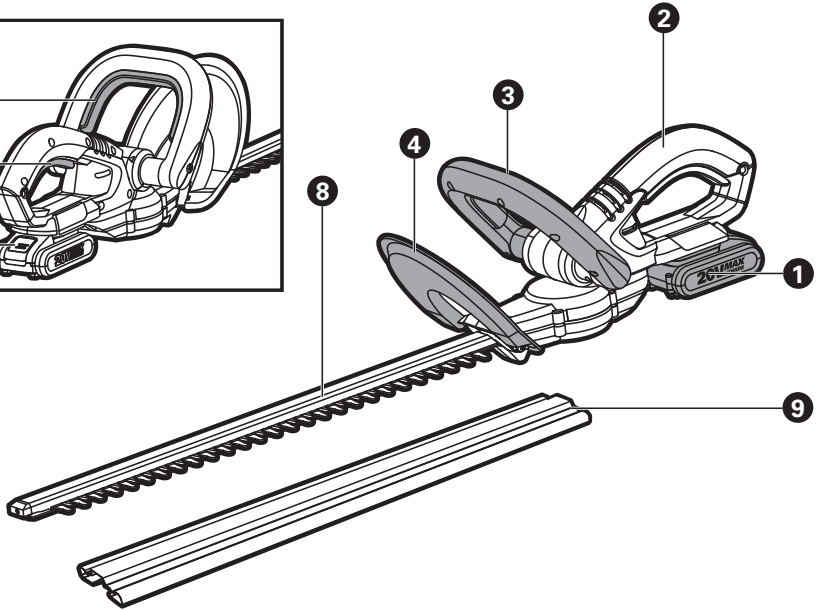
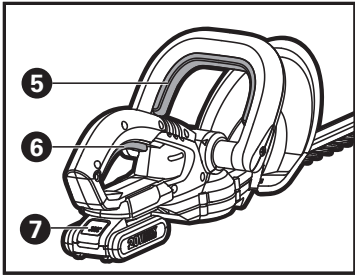


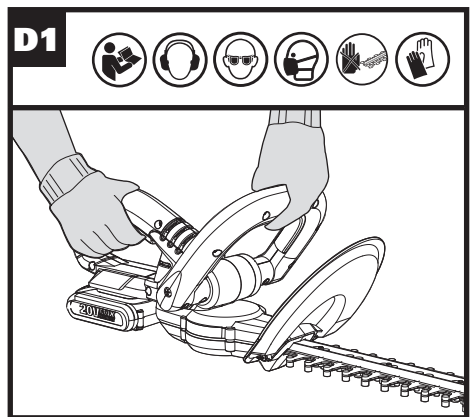
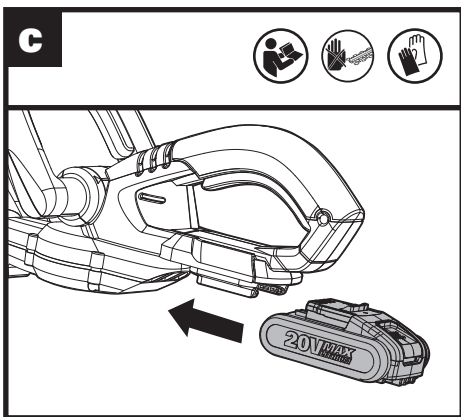
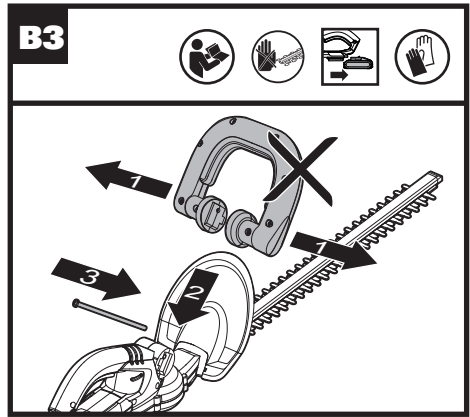
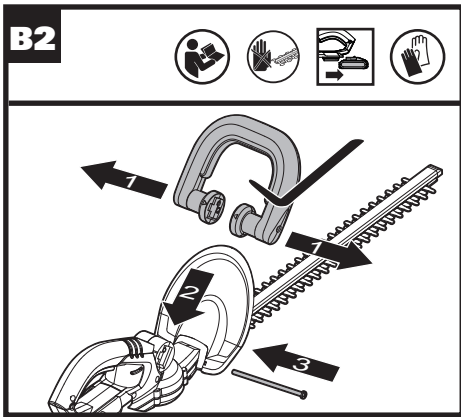
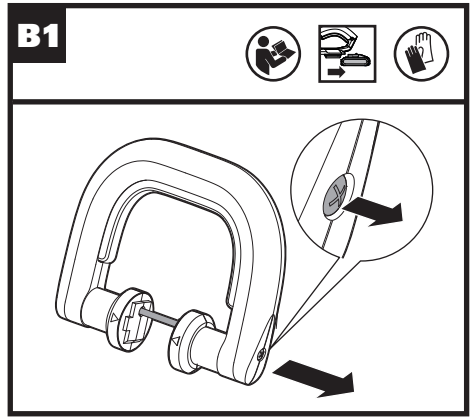
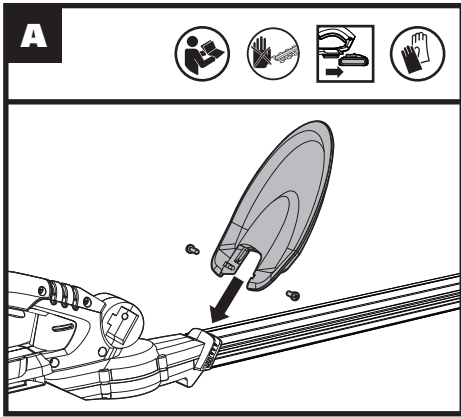
20V MAX LITHIUM

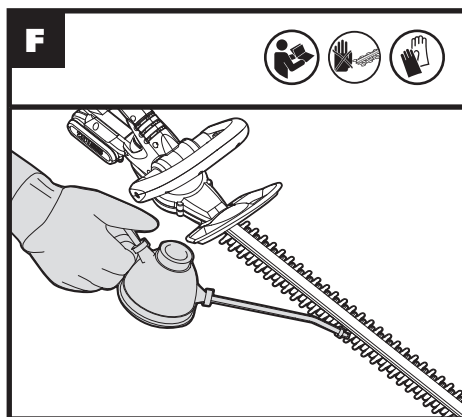
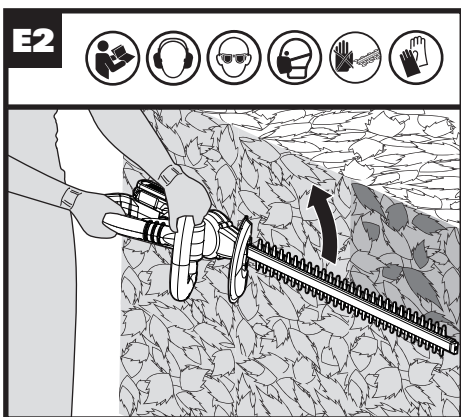
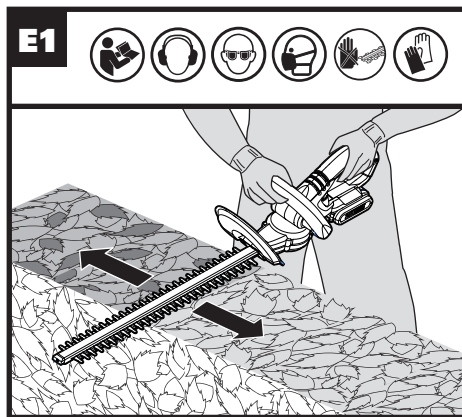
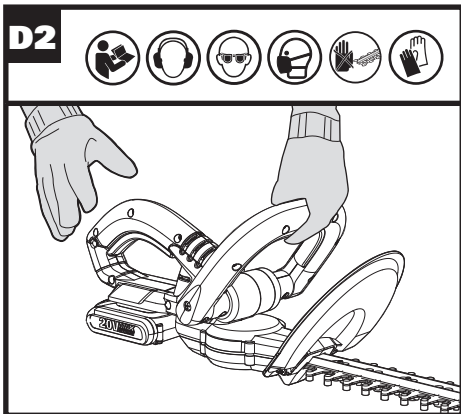
Cordless Hedge Trimmer	EN	P06
Akku-Heckenschere	D	P14
Taille-haie sans cordon	F	P23
Tagliasiepi senza filo	I	P32
Cortasetos Inalámbrico	ES	P41
Draadloze heggenchaar	NL	P50
Bezprzewodowa przycinarka do żywopłotów	PL	P59
Vezeték nélküli sövényegyengető	HU	P68
Mașină de tuns gard viu fără cordon	RO	P76
Bezkašelový plotostřih	CZ	P84
Akumulátorový krovinořez	SK	P92
Podador sem fio	PT	P100
Sladdlös häcksax	SV	P108
Brezžični rezalnik žive meje	SL	P116

WG259E WG259E.5 WG259E.9
WG260E WG260E.9

Original instructions	EN
Originalbetriebsanleitung	D
Notice originale	F
Istruzioni originali	I
Manual original	ES
Oorspronkelijke gebruiksaanwijzing	NL
Instrukcja oryginalna	PL
Eredeti használati utasítás	HU
Instrucțiuni originale	RO
Původní návod k používání	CZ
Pôvodný návod na použitie	SK
Manual original	PT
Bruksanvisning i original	SV
Izvirna navodila	SL







PRODUCT SAFETY

GENERAL POWER TOOL SAFETY WARNINGS



WARNING: Read all safety warnings and all instructions.

Failure to follow the warnings and instructions may result in electric shock, fire and/or serious injury.

Save all warnings and instructions for future reference.

The term "power tool" in the warnings refers to your mains-operated (corded) power tool or battery-operated (cordless) power tool.

1) WORK AREA SAFETY

- a) **Keep work area clean and well lit.**
Cluttered or dark areas invite accidents.
- b) **Do not operate power tools in explosive atmospheres, such as in the presence of flammable liquids, gases or dust.** Power tools create sparks which may ignite the dust or fumes.
- c) **Keep children and bystanders away while operating a power tool.**
Distractions can cause you to lose control.

2) ELECTRICAL SAFETY

- a) **Power tool plugs must match the outlet. Never modify the plug in any way. Do not use any adapter plugs with earthed (grounded) power tools.**
Unmodified plugs and matching outlets will reduce risk of electric shock.
- b) **Avoid body contact with earthed or grounded surfaces, such as pipes, radiators, ranges and refrigerators.**
There is an increased risk of electric shock if your body is earthed or grounded.
- c) **Do not expose power tools to rain or wet conditions.** Water entering a power tool will increase the risk of electric shock.
- d) **Do not abuse the cord. Never use the cord for carrying, pulling or unplugging the power tool. Keep cord away from heat, oil, sharp edges or moving parts.** Damaged or entangled cords increase the risk of electric shock.

- e) **When operating a power tool outdoors, use an extension cord suitable for outdoor use.** Use of a cord suitable for outdoor use reduces the risk of electric shock.
- f) **If operating a power tool in a damp location is unavoidable, use a residual current device (RCD) protected supply.** Use of an RCD reduces the risk of electric shock.

3) PERSONAL SAFETY

- a) **Stay alert, watch what you are doing and use common sense when operating a power tool. Do not use a power tool while you are tired or under the influence of drugs, alcohol or medication.** A moment of inattention while operating power tools may result in serious personal injury.
- b) **Use personal protective equipment. Always wear eye protection.** Protective equipment such as dust mask, non-skid safety shoes, hard hat, or hearing protection used for appropriate conditions will reduce personal injuries.
- c) **Prevent unintentional starting. Ensure the switch is in the off-position before connecting to power source and/or battery pack, picking up or carrying the tool.** Carrying power tools with your finger on the switch or energising power tools that have the switch on invites accidents.
- d) **Remove any adjusting key or wrench before turning the power tool on.** A wrench or a key left attached to a rotating part of the power tool may result in personal injury.
- e) **Do not overreach. Keep proper footing and balance at all times.** This enables better control of the power tool in unexpected situations.
- f) **Dress properly. Do not wear loose clothing or jewellery. Keep your hair, clothing and gloves away from moving parts.** Loose clothes, jewellery or long hair can be caught in moving parts.
- g) **If devices are provided for the connection of dust extraction and**

collection facilities, ensure these are connected and properly used. Use of dust collection can reduce dust-related hazards.

4) POWER TOOL USE AND CARE

- a) Do not force the power tool. Use the correct power tool for your application.** The correct power tool will do the job better and safer at the rate for which it was designed.
- b) Do not use the power tool if the switch does not turn it on and off.** Any power tool that cannot be controlled with the switch is dangerous and must be repaired.
- c) Disconnect the plug from the power source and/or the battery pack from the power tool before making any adjustments, changing accessories, or storing power tools.** Such preventive safety measures reduce the risk of starting the power tool accidentally.
- d) Store idle power tools out of the reach of children and do not allow persons unfamiliar with the power tool or these instructions to operate the power tool.** Power tools are dangerous in the hands of untrained users.
- e) Maintain power tools. Check for misalignment or binding of moving parts, breakage of parts and any other condition that may affect the power tool's operation. If damaged, have the power tool repaired before use.** Many accidents are caused by poorly maintained power tools.
- f) Keep cutting tools sharp and clean.** Properly maintained cutting tools with sharp cutting edges are less likely to bind and are easier to control.
- g) Use the power tool, accessories and tool bits etc. in accordance with these instructions, taking into account the working conditions and the work to be performed.** Use of the power tool for operations different from those intended could result in a hazardous situation.

5) BATTERY TOOL USE AND CARE

- a) Recharge only with the charger specified by the manufacturer.** A charger that is suitable for one type of battery pack may create a risk of fire when used with another battery pack.
- b) Use power tools only with specifically designated battery packs.** Use of any other battery packs may create a risk of injury and fire.
- c) When battery pack is not in use, keep it away from other metal objects, like paper clips, coins, keys, nails, screws or other small metal objects, that can make a connection from one terminal to another.** Shorting the battery terminals together may cause burns or a fire.
- d) Under abusive conditions, liquid may be ejected from the battery; avoid contact. If contact accidentally occurs, flush with water. If liquid contacts eyes, additionally seek medical help.** Liquid ejected from the battery may cause irritation or burns.

6) SERVICE

- a) Have your power tool serviced by a qualified repair person using only identical replacement parts.** This will ensure that the safety of the power tool is maintained.

HEDGE TRIMMER SAFETY WARNINGS

- 1. Keep all parts of the body away from the cutter blade. Do not remove cut material or hold material to be cut when blades are moving. Make sure the switch is off when clearing jammed material.** A moment of inattention while operating the hedge trimmer may result in serious personal injury.
- 2. Carry the hedge trimmer by the handle with the cutter blade stopped. When transporting or storing the hedge trimmer always fit the cutting device cover.** Proper handling of the hedge trimmer will reduce possible

personal injury from the cutter blades.

- 3. Hold the power tool by insulated gripping surfaces only, because the cutter blade may contact hidden wiring.** Cutter blades contacting a “live” wire may make exposed metal parts of the power tool “live” and could give the operator an electric shock.
- 4. Check the hedge for foreign objects, e.g. wire fences.**
- 5. Use both hands when operating the hedge trimmer.** Using one hand could cause loss of control and result in serious personal injury.

SAFETY WARNINGS FOR BATTERY PACK

- a) Do not dismantle, open or shred cells or battery pack.**
- b) Do not short-circuit a battery pack. Do not store battery packs haphazardly in a box or drawer where they may short-circuit each other or be short-circuited by conductive materials.**











When battery pack is not in use, keep it away from other metal objects, like paper clips, coins, keys, nails, screws or other small metal objects, that can make a connection from one terminal to another. Shorting the battery terminals together may cause burns or a fire.
- c) Do not expose battery pack to heat or fire. Avoid storage in direct sunlight.**
- d) Do not subject battery pack to mechanical shock.**
- e) In the event of battery leaking, do not allow the liquid to come into contact with the skin or eyes. If contact has been made, wash the affected area with copious amounts of water and seek medical advice.**
- f) Seek medical advice immediately if a cell or battery pack has been swallowed.**
- g) Keep battery pack clean and dry.**
- h) Wipe the battery pack terminals with a clean dry cloth if they become dirty.**
- i) Battery pack needs to be charged**


before use. Always refer to this instruction and use the correct charging procedure.

- j) Do not maintain battery pack on charge when not in use.**
- k) After extended periods of storage, it may be necessary to charge and discharge the battery pack several times to obtain maximum performance.**
- l) Battery pack gives its best performance when it is operated at normal room temperature (20°C ± 5°C).**
- m) When disposing of battery packs, keep battery packs of different electrochemical systems separate from each other.**
- n) Recharge only with the charger specified by WORX. Do not use any charger other than that specifically provided for use with the equipment.**

A charger that is suitable for one type of battery pack may create a risk of fire when used with another battery pack.
- o) Do not use any battery pack which is not designed for use with the equipment.**
- p) Keep battery pack out of the reach of children.**
- q) Retain the original product literature for future reference.**
- r) Remove the battery from the equipment when not in use.**
- s) Dispose of properly.**

SYMBOLS

	Warning
	To reduce the risk of injury, user must read instruction manual
	Wear ear protection
	Wear eye protection
	Wear dust mask
	Keep hands away
	Remove battery from the socket before carrying out any adjustment, servicing or maintenance.
 Li-Ion 	Do not dispose of batteries. Return exhausted batteries to your local collection or recycling point.
	Do not expose to rain
	Do not expose to rain or water
	Do not burn

	Waste electrical products must not be disposed of with household waste. Please recycle where facilities exist. Check with your local authorities or retailer for recycling advice.
---	--

x1NR18/65-y: Cylindrical lithium Ion battery cells with max diameter of 18mm and max height of 65mm; “x” represents a number cells serial connected, blank if 1; “-y” represents a number of cells paralleled connected, blank if 1

1. BATTERY PACK

2. REAR HANDLE

3. FRONT HANDLE

4. SAFETY GUARD

5. FRONT SWITCH LEVER (ALL AROUND SWITCH FUNCTION)

6. REAR SWITCH LEVER

7. BATTERY PACK RELEASE LATCH


8. BLADE

9. BLADE SHEATH*

* Not all the accessories illustrated or described are included in standard delivery.

TECHNICAL DATA

Type **WG259E WG259E.5 WG259E.9 WG260E WG260E.9 (230-269- designation of machinery, representative of cordless hedge trimmer)**

	WG259E	WG259E.5	WG259E.9	WG260E	WG260E.9
10 Voltage	220-240V~50/60Hz				
Power	20V  Max** Lithium				
No load speed	2200/min				
Max.cutting length	52cm			61cm	
Max.cutting diameter	14mm			19mm	
Charging time	5hr approx.	1hr approx.	/	5hr approx.	/
Machine weight	2.5kg	2.5kg	2.1kg	2.5kg	2.1kg

**Voltage measured without workload. Initial battery voltage reaches maximum of 20 volts. Nominal voltage is 18 volts.

NOISE INFORMATION

A weighted sound pressure	77dB(A)
A weighted sound power	90dB(A)
K _{pA}	3.0dB(A)
	80dB(A)

Wear ear protection when sound pressure is over




VIBRATION INFORMATION

Vibration total values (triax vector sum) determined according to EN 60745:

Vibration emission value $a_{hv}=2.2m/s^2$

Uncertainty $K = 1.5m/s^2$

The declared vibration total value may be used for comparing one tool with another, and may also be used in a preliminary assessment of exposure.

 **WARNING:** The vibration emission value during actual use of the power tool can differ from the declared value depending on the ways in which the tool is used dependant on the following examples and other variations on how the tool is used:

How the tool is used and the materials being cut or drilled.


The tool being in good condition and well maintained

The use the correct accessory for the tool and ensuring it is sharp and in good condition.

The tightness of the grip on the handles and if any anti vibration accessories are used.

And the tool is being used as intended by its design and these instructions.

This tool may cause hand-arm vibration syndrome if its use is not adequately managed.

 **WARNING:** To be accurate, an estimation of exposure level in the actual conditions of use should also take account of all parts of the operating cycle such as the times when the tool is switched off and when it is running idle but not actually doing the job. This may significantly reduce the exposure level over the total working period.

Helping to minimize your vibration exposure risk.

ALWAYS use sharp chisels, drills and blades.

Maintain this tool in accordance with these instructions and keep well lubricated (where appropriate).

If the tool is to be used regularly then invest in anti vibration accessories.

Avoid using tools in temperatures of 10°C or less.

Plan your work schedule to spread any high vibration tool use across a number of days.


11

ACCESSORIES

	WG259E	WG259E.5	WG259E.9	WG260E	WG260E.9
Blade sheath	1	1	1	1	1
Safety guard	1	1	1	1	1
Charger	1 (WA3760)	1 (WA3860)	/	1 (WA3760)	/
Battery pack	1 (WA3551.1)	1 (WA3551.1)	/	1 (WA3551)	/


We recommend that you purchase your accessories from the same store that sold you the tool. Refer to the accessory packaging for further details. Store personnel can assist you and offer advice.

OPERATING INSTRUCTIONS


 **NOTE:** Before using the tool, read the instruction book carefully.

INTENDED USE

The machine is intended for cutting and trimming hedges and bushes in domestic use.

 **WARNING! Do not use the product without attaching the guard and front handle.**

ASSEMBLY & OPERATION

ACTION	FIGURE
ASSEMBLY	
Assembling the safe guard	See Fig. A
Assembling the Front Handle NOTE: Handle screws need to face the safety guard. If front handle is assembled backwards, tool will not power on.	See Fig. B1, B2, B3
Installing and Removing the battery pack	See Fig. C
Charging the battery pack Your battery pack is UNCHARGED, you must charge before use. More details can be found in WA3760 (for WG259E WG260E) or WA3860 (for WG259E.5) manual	
OPERATION	
Starting and stopping	See Fig. D1, D2
Top cutting  WARNING: If any parts are missing, damaged or broken, do not operate your hedge trimmer until all damaged parts have been replaced or repaired. Failure to do so could result in serious personal injury. DO NOT USE WITHOUT FRONT HANDLE AND SAFETY GUARD.	See Fig. E1

Side cutting	See Fig. E2
Lubricating the Cutting Blade	See Fig. F

HOW TO USE YOUR HEDGE TRIMMER

Note that the front switch lever can be activated on three sides, giving you many choices for a comfortable grip. Before cutting an area, inspect it first and remove any foreign objects that could become thrown or entangled in the blades. Always hold the trimmer with both hands and with the blade away from you before turning it on. When trimming new growth, use a wide sweeping action so that the stems are fed directly into the blade. (See Fig. E1& E2) Allow the cutting blades to reach full speed before cutting. When operating, keep the cutting blades away from people and objects such as walls, large stones, trees, vehicles, etc. If the blade stalls, immediately stop the trimmer. Release the two Switch Levels (5 & 6) before attempting to clear jammed debris from the cutting blades.

Wear gloves when trimming thorny or prickly growth.

Do not attempt to cut stems that are too thick for the cutting blade.

TOP CUTTING

Use a wide sweeping motion (See Fig. E1). A slight downward tilt of the cutting blades in the direction of motion gives the best cutting results.

SIDE CUTTING

When trimming the sides of the hedge, begin at the bottom and cut upwards (See Fig. E2), tapering the hedge inward at the top. This shape will expose more of the hedge, resulting in a more uniformed growth.

MAINTENANCE

Remove battery before carrying out any adjustment, servicing or maintenance.

There are no user serviceable parts in your power tool. Never use water or chemical cleaners to clean your power tool. Wipe clean

with a dry cloth. Always store your power tool in a dry place. Keep the motor ventilation slots clean. Keep all working controls free of dust.

ENVIRONMENTAL PROTECTION



Waste electrical products must not be disposed of with household waste.

■ Please recycle where facilities exist.

Check with your local authorities or retailer for recycling advice.

DECLARATION OF CONFORMITY

We,
POSITEC Germany GmbH
Konrad-Adenauer-Ufer 37
50668 Köln

Declare that the product,
Description **WORX Cordless Hedge Trimmer**
Type **WG259E WG259E.5 WG259E.9**
WG260E WG260E.9 (230-269-
designation of machinery, representative
of cordless hedge trimmer)
Function **Trimming hedges and brushes**

Complies with the following Directives,
2006/42/EC, 2014/30/EU, 2011/65/EU,
2000/14/EC amended by 2005/88/EC

2000/14/EC amended by 2005/88/EC:

- Conformity Assessment Procedure as per **Annex V**
- Measured Sound Power Level **87.1dB(A)**
- Declared Guaranteed Sound Power Level **90dB(A)**

Standards conform to,

EN 60745-1 **EN 60745-2-15**
EN ISO 3744 **EN 55014-1**
EN 55014-2

The person authorized to compile the technical file,

Name Russell Nicholson
Address Positec Power Tools (Europe)
Ltd, PO Box 6242, Newbury, RG14 9LT,
UK



Suzhou 2017/06/22

Allen Ding

Deputy Chief Engineer, Testing & Certification

SICHERHEITSVORSCHRIFTEN

ALLGEMEINE SICHERHEITSHINWEISE FÜR ELEKTROWERKZEUGE



WARNUNG! Lesen Sie alle Sicherheitshinweise und Anweisungen.

Versäumnisse bei der Einhaltung der Sicherheitshinweise und Anweisungen können elektrischen Schlag, Brand und/oder schwere Verletzungen verursachen.

Bewahren Sie alle Sicherheitshinweise und Anweisungen für die Zukunft auf.

Der in den Sicherheitshinweisen verwendete Begriff „Elektrowerkzeug“ bezieht sich auf akkubetriebene Elektrowerkzeuge (ohne Netzkabel).

1) ARBEITSPLATZSICHERHEIT

a) Halten Sie Ihren Arbeitsbereich sauber und gut beleuchtet.

Unordnung oder unbeleuchtete Arbeitsbereiche können zu Unfällen führen.

b) Arbeiten Sie mit dem Elektrowerkzeug nicht in explosionsgefährdeter Umgebung, in der sich brennbare Flüssigkeiten, Gase oder Stäube befinden.

Elektrowerkzeuge erzeugen Funken, die den Staub oder die Dämpfe entzünden können.

c) Halten Sie Kinder und andere Personen während der Benutzung des Elektrowerkzeugs fern.

Bei Ablenkung können Sie die Kontrolle über das Gerät verlieren.

2) ELEKTRISCHE SICHERHEIT

a) Der Anschlussstecker des Elektrowerkzeugs muss in die Steckdose passen. Der Stecker darf in keiner Weise verändert werden. Verwenden Sie keine Adapterstecker gemeinsam mit schutzgeerdeten Elektrowerkzeugen. Unveränderte Stecker und passende Steckdosen verringern das Risiko eines elektrischen Schlages.

b) Vermeiden Sie Körperkontakt mit geerdeten Oberflächen wie von Rohren, Heizungen, Herden und Kühlschränken. Es besteht ein erhöhtes Risiko durch elektrischen Schlag, wenn Ihr Körper geerdet ist.

c) Halten Sie Elektrowerkzeuge von Regen oder Nässe fern. Das Eindringen von Wasser in ein Elektrowerkzeug erhöht das Risiko eines elektrischen Schlages.

d) Zweckentfremden Sie das Kabel nicht, um das Elektrowerkzeug zu tragen, aufzuhängen oder um den Stecker aus der Steckdose zu ziehen. Halten Sie das Kabel fern von Hitze, Öl, scharfen Kanten oder sich bewegenden Geräteteilen. Beschädigte oder verwickelte Kabel erhöhen das Risiko eines elektrischen Schlages.

e) Wenn Sie mit einem Elektrowerkzeug im Freien arbeiten, verwenden Sie nur Verlängerungskabel, die auch für den Außenbereich geeignet sind. Die Anwendung eines für den Außenbereich geeigneten Verlängerungskabels verringert das Risiko eines elektrischen Schlages.

f) Wenn der Betrieb des Elektrowerkzeuges in feuchter Umgebung nicht vermeidbar ist, verwenden Sie einen Fehlerstromschutzschalter. Der Einsatz eines Fehlerstromschutzschalters vermindert das Risiko eines elektrischen Schlages.

3) SICHERHEIT VON PERSONEN

a) Seien Sie aufmerksam, achten Sie darauf, was Sie tun, und gehen Sie mit Vernunft an die Arbeit mit einem Elektrowerkzeug. Benutzen Sie kein Elektrowerkzeug, wenn Sie müde sind oder unter dem Einfluss von Drogen, Alkohol oder Medikamenten stehen. Ein Moment der Unachtsamkeit beim Gebrauch des Elektrowerkzeuges kann zu ernsthaften Verletzungen führen.

b) Tragen Sie persönliche Schutzausrüstung und immer eine Schutzbrille. Das Tragen persönlicher Schutzausrüstung, wie Staubmaske,

rutschfeste Sicherheitsschuhe, Schutzhelm oder Gehörschutz, je nach Art und Einsatz des Elektrowerkzeuges, verringert das Risiko von Verletzungen.

- c) Vermeiden Sie eine unbeabsichtigte Inbetriebnahme. Vergewissern Sie sich, dass das Elektrowerkzeug ausgeschaltet ist, bevor Sie es an den Akku anschließen, es aufnehmen oder tragen.** Wenn Sie beim Tragen des Elektrowerkzeuges den Finger am Schalter haben oder das Gerät eingeschaltet an die Stromversorgung anschließen, kann dies zu Unfällen führen.
- d) Entfernen Sie Einstellwerkzeuge oder Schraubenschlüssel, bevor Sie das Elektrowerkzeug einschalten.** Ein Werkzeug oder Schlüssel, der sich in einem drehenden Geräteteil befindet, kann zu Verletzungen führen.
- e) Vermeiden Sie eine abnormale Körperhaltung. Sorgen Sie für einen sicheren Stand und halten Sie jederzeit das Gleichgewicht.** Dadurch können Sie das Elektrowerkzeug in unerwarteten Situationen besser kontrollieren.
- f) Tragen Sie geeignete Kleidung. Tragen Sie keine weite Kleidung oder Schmuck. Halten Sie Haare, Kleidung und Handschuhe fern von sich bewegenden Teilen.** Lockere Kleidung, Schmuck oder lange Haare können von sich bewegenden Teilen erfasst werden.
- g) Wenn Staubabsaug- und -auffangeinrichtungen montiert werden können, vergewissern Sie sich, dass diese angeschlossen sind und richtig verwendet werden.** Verwendung einer Staubabsaugung kann Gefährdungen durch Staub verringern.

4) VERWENDUNG UND BEHANDLUNG DES ELEKTROWERKZEUGES

- a) Überlasten Sie das Gerät nicht. Verwenden Sie für Ihre Arbeit das dafür bestimmte Elektrowerkzeug.** Mit dem passenden Elektrowerkzeug arbeiten Sie besser und sicherer im angegebenen Leistungsbereich.
- b) Benutzen Sie kein Elektrowerkzeug,**

dessen Schalter defekt ist. Ein Elektrowerkzeug, das sich nicht mehr ein- oder ausschalten lässt, ist gefährlich und muss repariert werden.

- c) Entfernen Sie den Akku, bevor Sie Geräteeinstellungen vornehmen, Zubehörteile wechseln oder das Gerät weglegen.** Diese Vorsichtsmaßnahme verhindert den unbeabsichtigten Start des Elektrowerkzeuges.
- d) Bewahren Sie unbenutzte Elektrowerkzeuge außerhalb der Reichweite von Kindern auf. Lassen Sie Personen das Gerät nicht benutzen, die mit diesem nicht vertraut sind oder diese Anweisungen nicht gelesen haben.** Elektrowerkzeuge sind gefährlich, wenn Sie von unerfahrenen Personen benutzt werden.
- e) Pflegen Sie Elektrowerkzeuge mit Sorgfalt. Kontrollieren Sie, ob bewegliche Teile einwandfrei funktionieren und nicht klemmen, ob Teile gebrochen oder so beschädigt sind, dass die Funktion des Elektrowerkzeuges beeinträchtigt ist. Lassen Sie beschädigte Teile vor dem Einsatz des Gerätes reparieren.** Viele Unfälle haben ihre Ursache in schlecht gewarteten Elektrowerkzeugen.
- f) Halten Sie Schneidwerkzeuge scharf und sauber. Sorgfältig gepflegte Schneidwerkzeuge mit scharfen Schneidkanten verklemmen sich weniger und sind leichter zu führen.**
- g) Verwenden Sie Elektrowerkzeug, Zubehör, Einsatzwerkzeuge usw. entsprechend diesen Anweisungen. Berücksichtigen Sie dabei die Arbeitsbedingungen und die auszuführende Tätigkeit.** Der Gebrauch von Elektrowerkzeugen für andere als die vorgesehenen Anwendungen kann zu gefährlichen Situationen führen.

5) VERWENDUNG UND BEHANDLUNG DES AKKUWERKZEUGS

- a) Laden Sie die Akkus nur in Ladegeräten auf, die vom Hersteller empfohlen werden.** Für ein Ladegerät, das für eine bestimmte Art von Akkus

geeignet ist, besteht Brandgefahr, wenn es mit anderen Akkus verwendet wird.

- b) Verwenden Sie nur die dafür vorgesehenen Akkus in den Elektrowerkzeugen.** Der Gebrauch von anderen Akkus kann zu Verletzungen und Brandgefahr führen.
- c) Halten Sie den nicht benutzten Akku fern von Büroklammern, Münzen, Schlüsseln, Nägeln, Schrauben oder anderen kleinen Metallgegenständen, die eine Überbrückung der Kontakte verursachen könnten.** Ein Kurzschluss zwischen den Akkukontakten kann Verbrennungen oder Feuer zur Folge haben.
- d) Bei falscher Anwendung kann Flüssigkeit aus dem Akku austreten. Vermeiden Sie den Kontakt damit. Bei zufälligem Kontakt mit Wasser abspülen. Wenn die Flüssigkeit in die Augen kommt, nehmen Sie zusätzlich ärztliche Hilfe in Anspruch.** Austretende Akkufflüssigkeit kann zu Hautreizungen oder Verbrennungen führen.

6) SERVICE

- a) Lassen Sie Ihr Elektrowerkzeug nur von qualifiziertem Fachpersonal und nur mit Original-Ersatzteilen reparieren.** Damit wird sichergestellt, dass die Sicherheit des Gerätes erhalten bleibt.

ZUSÄTZLICHE WICHTIGE SICHERHEITSHINWEISE FÜR IHRE KABELLOSE HECKENSCHERE

- 1. Halten Sie alle Körperteile fern von der Schneide des Sägeblatts. Wenn sich das Sägeblatt bewegt, dürfen Sie bereits geschnittene Gegenstände nicht entfernen oder zu schneidende Gegenstände festhalten. Vergewissern Sie sich, dass der Schalter ausgeschaltet ist, wenn Sie verkantete Gegenstände freilegen.** Ist der Heckenschneider in Betrieb, braucht man nur einen Augenblick unaufmerksam zu sein, um schwere Körperverletzungen zu verursachen.

- 2. Tragen Sie den Heckenschneider am Griff bei angehaltenem Sägeblatt. Bringen Sie immer die Abdeckung der Schneidvorrichtung an, wenn Sie den Heckenschneider transportieren oder verstauen.** Sachgemäßer Umgang mit dem Heckenschneider verringert die Wahrscheinlichkeit von Körperverletzungen durch das Sägeblatt.
- 3. Halten Sie das Werkzeug nur an den isolierten griffigen Oberflächen, wenn Sie einen Einsatz durchführen, bei dem Schneidwerkzeuge eventuell versteckte Kabel berühren könnten.** Berührung mit einem unter Strom stehenden Kabel kann auch die Metallteile des Gerätes unter Strom setzen und dem Bedienenden einen Stromschlag versetzen.
- 4. Prüfen Sie die Hecke auf Fremdkörper, z. B. Drahtzäune.**
- 5. Verwenden Sie beim Betrieb der Heckenschere beide Hände.** Wird nur eine Hand verwendet, kann es zum Kontrollverlust und demzufolge zu schweren Verletzungen führen.

SICHERHEITSHINWEISE FÜR AKKUPACK

- a) Zellen bzw. Akkupack nicht zerlegen, öffnen oder zerdrücken.**
- b) Akkupack nicht kurzschließen. Akkupacks nicht wahllos in einer Schachtel oder Schublade aufbewahren, wo sie einander kurzschließen oder durch andere leitfähige Materialien kurzgeschlossen werden könnten.** Bei Nichtverwendung des Akkupacks ist dieses von Metallgegenständen fernzuhalten, wie etwa Büroklammern, Münzen, Nägeln, Schrauben oder anderen kleinen Metallgegenständen, wo sich die Batterieklemmen berühren könnten. Das Kurzschließen der Batterieklemmen kann Verbrennungen bzw. einen Brand verursachen.
- c) Zellen bzw. Akkupacks nicht Hitze oder Feuer aussetzen. Lagerung in direktem Sonnenlicht vermeiden.**
- d) Akkupack nicht mechanischen Stößen aussetzen.**

SYMBOLE

	WARNUNG
	Lesen Sie unbedingt die Anleitung, damit es nicht zu Verletzungen kommt.
	Gehörschutz tragen
	Gehörschutz tragen
	Staubschutzmaske tragen
	Hände fernhalten
	Nehmen sie den akku heraus, bevor sie einstellungen, instandsetzungs- oder wartungsarbeiten vornehmen.
 Li-Ion	Akku nicht in den Haushaltsmüll geben. Bringen Sie den leeren Akku zu Ihrer lokalen Sammel- oder Recyclingstelle
	Setzen Sie es keinem Regen aus
	Vor Regen und Feuchtigkeit schützen
	Nicht verbrennen

- e) Im Fall, dass Flüssigkeit aus dem Akku austritt, darf diese nicht in Kontakt mit der Haut oder den Augen kommen. Sollte dies dennoch geschehen, den betroffenen Bereich sofort mit viel Wasser spülen und einen Arzt aufsuchen.
- f) Beim Verschlucken einer Zelle oder eines Akkupacks muss sofort ein Arzt herangezogen werden.
- g) Akkupack sauber und trocken halten.
- h) Sollten die Klemmen des Akkupacks schmutzig werden, diese mit einem sauberen, trockenen Tuch abwischen.
- i) Akkupack muss vor Gebrauch aufgeladen werden. Immer dieses Anweisungen beachten und den korrekten Ladevorgang ausführen.
- j) Akkupack bei Nichtverwendung nicht längere Zeit aufladen lassen.
- k) Nach längerer Lagerung des Gerätes ist es eventuell notwendig, die Zellen oder das Akkupack mehrere Male aufzuladen und zu entladen, um eine optimale Leistung zu erhalten.
- l) Akkupacks funktionieren bei normaler Zimmertemperatur ($20^{\circ}\text{C} \pm 5^{\circ}\text{C}$) am besten.
- m) Beim Entsorgen von Akkupacks sollten Akkupacks mit verschiedenen elektrochemischen Systemen voneinander getrennt gehalten werden.
- n) Nur mit dem von WORX bezeichneten Ladegerät aufladen. Kein Ladegerät verwenden, das nicht ausdrücklich für den Gebrauch mit dem Gerät vorgesehen ist. Ein Ladegerät, das für eine bestimmte Art von Akkupack geeignet ist, kann bei Verwendung mit einem anderen Akkupack eine Brandgefahr darstellen.
- o) Kein Akkupack verwenden, das nicht für den Gebrauch mit dem Gerät vorgesehen ist.
- p) Akkupacks von Kindern fernhalten.
- q) Die originalen Produktunterlagen zum späteren Nachschlagen aufbewahren.
- r) Den Akku bei Nichtverwendung aus dem Gerät nehmen.
- s) Ordnungsgemäß entsorgen.



Elektroprodukte dürfen nicht mit dem normalen Haushaltsmüll entsorgt werden, sondern sollten nach Möglichkeit zu einer Recyclingstelle gebracht werden. Ihre zuständigen Behörden oder Ihr Fachhändler geben Ihnen hierzu gerne Auskunft.

xINR18/65-y: Zylindrische Lithium-Ionen-Akkuzellen mit einem max. Durchmesser von 18 mm und einer Höhe von 65 mm, "x" ist die Zahl der in Reihe geschalteten Zellen, wenn leer = 1 ; "-y" ist die die Zahl der parallel geschalteten Zellen, wenn leer = 1

1. AKKU

2. HANDGRIFF HINTEN

3. HANDGRIFF VORNE

4. HANDSCHUTZ

5. SCHALTHEBEL VORNE (ALLSEITIG)

6. SCHALTHEBEL

7. AKKUVERRIEGELUNG


8. MESSER

9. MESSERSCHUTZHÜLLE*

*Abgebildetes oder beschriebenes Zubehör gehört teilweise nicht zum Lieferumfang.

TECHNISCHE DATEN

Typ **WG259E WG259E.5 WG259E.9 WG260E WG260E.9 (230-269- Bezeichnung der Maschine, Repräsentant der kabellose Heckenschere)**

	WG259E	WG259E.5	WG259E.9	WG260E	WG260E.9
Spannung	220-240V~50/60Hz				
Macht	20V  Max** Lithium				
Leerlaufdrehzahl	2200/min				
Max. Schnittlänge	52cm			61cm	
Max. Schneid- durchmesser	14mm			19mm	
Ladezeit	5hr approx.	1hr approx.	/	5hr approx.	/
Gewicht	2.5kg	2.5kg	2.1kg	2.5kg	2.1kg

**Spannung ohne Arbeitslast gemessen. Die anfängliche Akkuspannung erreicht maximal 20 Volt. Die Nennspannung liegt bei 18 Volt.

INFORMATIONEN ÜBER LÄRM

Gewichteter Schalldruck	77dB(A)
Gewichtete Schallleistung	90dB(A)
K_{pA}	3.0dB(A)

Tragen Sie bei einem Schalldruck über 80dB(A) einen Gehörschutz.



INFORMATIONEN ÜBER VIBRATIONEN

Vibrationsgesamtmesswertermittlung gemäß EN 60745:

Typischer gewichteter Vibrationswert $a_{H1}=2.2\text{m/s}^2$

Unsicherheit $K = 1.5\text{m/s}^2$

Der angegebene Gesamtvibrationswert kann zum Vergleich eines Werkzeugs mit einem anderen und auch zur vorläufigen Expositionsbewertung verwendet werden.

⚠️ WARNUNG: Der Vibrationsemissionswert während des tatsächlichen Gebrauchs des Elektrowerkzeugs kann vom angegebenen Wert abweichen, je nachdem, wie das Werkzeug gemäß folgender Beispiele und anderweitiger Verwendungsmöglichkeiten eingesetzt wird:
Das Werkzeug ist in gutem Zustand und gut gepflegt
Verwendung des richtigen Zubehörs für das Werkzeug und Gewährleistung seiner Schärfe und seines guten Zustands.
Die Festigkeit der Handgriffe und ob Antivibrationszubehör verwendet wird.
Und ob das verwendete Werkzeug dem Design und diesen Anweisungen entsprechend verwendet wird.

Wird dieses Werkzeug nicht anemessen gehandhabt, kann es ein Hand-Arm-Vibrationssyndrom erzeugen

⚠️ WARNUNG: Um genau zu sein, sollte ein Abschätzung des Belastungsgrades aller Arbeitsabschnitte während tatsächlicher Verwendung berücksichtigt werden, z.B. die Zeiten, wenn das Werkzeug ausgeschaltet ist, und wenn es sich im Leerlauf befindet und eigentlich nicht eingesetzt wird. Auf diese Weise kann der Belastungsgrad während der gesamten Arbeitszeit wesentlich gemindert werden.

So minimieren Sie das Risiko, dem Sie bei Vibrationen ausgesetzt sind.

Verwenden Sie IMMER scharfe Meissel, Bohrer und Sägeblätter.

Pflegen Sie dieses Werkzeug diesen Anweisungen entsprechend und achten Sie auf eine gute Einfettung (wo erforderlich).

Bei regelmäßiger Verwendung von Elektrowerkzeug sollten Sie in Antivibrations zubehör investieren.

Vermeiden Sie den Einsatz von Werkzeugen bei Temperaturen von 10°C oder darunter.


Erstellen Sie einen Arbeitsplan, um die Verwendung von hoch vibrierenden Werkzeugen auf mehrere Tage zu verteilen.

ZUBEHÖRTEILE

	WG259E	WG259E.5	WG259E.9	WG260E	WG260E.9
Messerschutzhülle	1	1	1	1	1
Handschutz	1	1	1	1	1
Ladegerät	1 (WA3760)	1 (WA3860)	/	1 (WA3760)	/
Akku	1 (WA3551.1)	1 (WA3551.1)	/	1 (WA3551)	/

Wir empfehlen Ihnen, sämtliche Zubehörteile beim selben Fachhändler zu beziehen, bei dem Sie auch Ihr Elektrowerkzeug gekauft haben. Weitere Informationen finden Sie auf der Verpackung der Zubehörteile. Auch Ihr Fachhändler berät Sie gerne.

HINWEISE ZUM BETRIEB

 **HINWEIS:** Lesen Sie das Handbuch vor Inbetriebnahme des Werkzeuges sorgfältig durch.


BESTIMMUNGSGEMÄSSER GEBRAUCH

Das Gerät ist bestimmt für das Schneiden und Stutzen von Hecken und Büschen in Haus- und Hobbygärten

 **WARNUNG:** Verwenden sie das gerät niemals ohne handschutz und vorderen handgriff.

MONTAGE UND BEDIENUNG

MASSNAHME	ABBILDUNG
MONTAGE	
Montage des Handschutzes	Siehe Bild A
Vordergriff montieren HINWEIS: Die Griffschrauben müssen auf die Schutzvorrichtung gerichtet sein. Falls der vordere Handgriff falsch herum montiert ist, lässt sich das Werkzeug nicht einschalten.	Siehe Bild B1, B2, B3
Anbringen Und Entfernen Des Akkus	Siehe Bild C
Laden des Akkus Der Akku ist NICHT GELADEN und muss vor dem ersten Gebrauch aufgeladen werden. Weitere Details finden Sie im Handbuch des Ladegeräts WA3760 (bei WG259E WG260E) oder WA3860 (bei WG259E.5)	
BETRIEB	
Ein-Und Ausschalten	Siehe Bild D1, D2

Schneiden der Oberseite  WARNUNG: Falls irgendwelche Teile fehlen, beschädigt oder defekt sind, betreiben Sie die Heckenschere nicht, bis alle Teile ersetzt oder repariert wurden. Die Nichteinhaltung kann zu schweren Verletzungen führen. VERWENDEN SIE DAS GERÄT NIEMALS OHNE HANDSCHUTZ UND VORDEREN HANDGRIFF.	Siehe Bild E1
Schneiden der Seitenflächen	Siehe Bild E2
Pflege der Messer	Siehe Bild F

DAS ARBEITEN MIT DER HECKENSCHERE

Beachten Sie, dass der Schalthebel von drei Seiten aus betätigt werden kann. Sie haben damit viele Möglichkeiten, um eine komfortable Griffhaltung zu erhalten. Inspizieren Sie vor Gebrauch die zu schneidende Fläche und entfernen Sie alle Fremdoobjekte, die sich im Messer verfangen könnten. Halten Sie die Heckenschere immer mit zwei Händen, mit dem Messer von Ihnen abgewendet, bevor Sie das Gerät einschalten. Führen Sie die Messer bei jungen Zweigen gleichmäßig hin und her, so dass die Zweige direkt in die Messer gezogen werden. (Siehe E1 & E2)

Lassen Sie die Messer auf volle Geschwindigkeit kommen, bevor Sie mit dem Schneiden beginnen. Halten Sie beim Betrieb die Messer von Personen und Objekten wie Wänden, großen Steinen, Bäumen, Fahrzeugen, usw. fern.

Sofort ausschalten, falls die Messer blockieren. Trennen Sie die Heckenschere vom Netz und beseitigen Sie die Blockierung. Kontrollieren Sie die Messer, und lassen Sie sie bei Bedarf reparieren oder ersetzen.

Tragen Sie beim Arbeiten an stacheligen oder dornigen Hecken Handschuhe.

Versuchen Sie nicht, zu starke Zweige zu

schneiden.

SCHNEIDEN DER OBERSEITE

Bewegen Sie die Messer gleichmäßig hin und her (Siehe E1). Optimale Ergebnisse erzielen Sie, wenn Sie die Messer ein wenig in Schnittrichtung neigen.

SCHNEIDEN DER SEITENFLÄCHEN

Beginnen Sie beim Schneiden der Seitenflächen unten und schneiden Sie nach oben (Siehe E2), wobei Sie die Hecke nach oben etwas verjüngen. Diese Form bringt die Hecke besser zur Geltung und lässt sie gleichmäßiger wachsen.


WARTUNG

Nehmen Sie den Akku heraus, bevor Sie Einstellungen, Instandsetzungs- oder Wartungsarbeiten vornehmen.

Es enthält keine Teile, die Sie warten müssen. Reinigen Sie Ihr Werkzeug niemals mit Wasser oder chemischen Lösungsmitteln. Wischen Sie es mit einem trockenen Tuch sauber.

Lagern Sie Ihr Werkzeug immer an einem trockenen Platz. Sorgen Sie dafür, dass bei staubigen Arbeiten die Lüftungsöffnungen frei sind. Falls es erforderlich sein sollte, den Staub zu entfernen, trennen Sie zuerst das Elektrowerkzeug vom Stromversorgungsnetz. Verwenden Sie nichtmetallische Objekte zum Entfernen von Staub und vermeiden Sie das Beschädigen innerer Teile.

UMWELTSCHUTZ

 Elektroprodukte dürfen nicht mit dem normalen Haushaltsmüll entsorgt

werden, sondern sollten nach Möglichkeit zu einer Recyclingstelle gebracht werden. Ihre zuständigen Behörden oder Ihr Fachhändler geben Ihnen hierzu gerne Auskunft.

KONFORMITÄTSERKLÄRUNG

Wir,
POSITEC Germany GmbH
Konrad-Adenauer-Ufer 37
50668 Köln

Erklären hiermit, dass unser Produkt Beschreibung **WORX Akku-Heckenschere** Typ **WG259E WG259E.5 WG259E.9 WG260E WG260E.9 (230-269-Bezeichnung der Maschine, Repräsentant der kabellose Heckenschere)** Funktion **Beschneiden von Hecken und Sträuchern**

Den Bestimmungen der folgenden Richtlinien entspricht:

2006/42/EC, 2014/30/EU, 2011/65/EU, 2000/14/EC geändert durch 2005/88/EC

2000/14/EC geändert durch 2005/88/EC

- Konformitätsbewertungsverfahren nach

Anhang V

- Gemessene Schallleistung **87.1dB(A)**

- Garantierte Schallleistung **90dB(A)**

Werte nach

EN 60745-1 EN 60745-2-15

EN ISO 3744 EN 55014-1

EN 55014-2

Zur Kompilierung der technischen Datei ermächtigte Person

Name Russell Nicholson

Adresse Positec Power Tools (Europe)

Ltd, PO Box 6242, Newbury, RG14 9LT, UK



Suzhou 2017/06/22

Allen Ding

Stellvertretender Chefsingenieur, Prüfung und Zertifizierung

PRODUCT SAFETY

AVERTISSEMENTS DE SÉCURITÉ GÉNÉRAUX POUR L'OUTIL



AVERTISSEMENT! Lire tous les avertissements de sécurité et toutes les instructions.

Ne pas suivre les avertissements et instructions peut donner lieu à un choc électrique, un incendie et/ou une blessure sérieuse.

Conserver tous les avertissements et toutes les instructions pour pouvoir s'y reporter ultérieurement.

Le terme «outil» dans les avertissements fait référence à votre outil électrique alimenté par le secteur (avec cordon d'alimentation) ou votre outil fonctionnant sur batterie (sans cordon d'alimentation).

1) SÉCURITÉ DE LA ZONE DE TRAVAIL

- a) Conserver la zone de travail propre et bien éclairée.** Les zones en désordre ou sombres sont propices aux accidents.
- b) Ne pas faire fonctionner les outils électriques en atmosphère explosive, par exemple en présence de liquides inflammables, de gaz ou de poussières.** Les outils électriques produisent des étincelles qui peuvent enflammer les poussières ou les fumées.
- c) Maintenir les enfants et les personnes présentes à l'écart pendant l'utilisation de l'outil.** Les distractions peuvent vous faire perdre le contrôle de l'outil.

2) SÉCURITÉ ÉLECTRIQUE

- a) Il faut que les fiches de l'outil électrique soient adaptées au socle. Ne jamais modifier la fiche de quelque façon que ce soit. Ne pas utiliser d'adaptateurs avec des outils à branchement de terre.** Des fiches non modifiées et des socles adaptés réduiront le risque de choc électrique.
- b) Éviter tout contact du corps avec**

des surfaces reliées à la terre telles que les tuyaux, les radiateurs, les cuisinières et les réfrigérateurs. Il existe un risque accru de choc électrique si votre corps est relié à la terre.

- c) Ne pas exposer les outils à la pluie ou à des conditions humides.** La pénétration d'eau à l'intérieur d'un outil augmentera le risque de choc électrique.
- d) Ne pas maltraiter le cordon. Ne jamais utiliser le cordon pour porter, tirer ou débrancher l'outil. Maintenir le cordon à l'écart de la chaleur, du lubrifiant, des arêtes ou des parties en mouvement.** Des cordons endommagés ou emmêlés augmentent le risque de choc électrique.
- e) Lorsqu'on utilise un outil à l'extérieur, utiliser un prolongateur adapté à l'utilisation extérieure.** L'utilisation d'un cordon adapté à l'utilisation extérieure réduit le risque de choc électrique.
- f) Si l'usage d'un outil dans un emplacement humide est inévitable, utiliser une alimentation protégée par un dispositif à courant différentiel résiduel (DDR).** L'usage d'un DDR réduit le risque de choc électrique.

3) SÉCURITÉ DES PERSONNES

- a) Restez vigilant, regardez ce que vous êtes en train de faire et faites preuve de bon sens dans votre utilisation de l'outil. Ne pas utiliser un outil lorsque vous êtes fatigué ou sous l'emprise de drogues, d'alcool ou de médicaments.** Un moment d'inattention en cours d'utilisation d'un outil peut entraîner des blessures graves des personnes.
- b) Utiliser un équipement de sécurité. Toujours porter une protection pour les yeux.** Les équipements de sécurité tels que les masques contre les poussières, les chaussures de sécurité antidérapantes, les casques ou les protections acoustiques utilisés pour les conditions appropriées réduiront les blessures de personnes.
- c) Éviter tout démarrage intempestif. S'assurer que l'interrupteur est en position arrêt avant de brancher l'outil**

au secteur et/ou au bloc de batteries, de le ramasser ou de le porter. Porter les outils en ayant le doigt sur l'interrupteur ou brancher des outils dont l'interrupteur est en position marche est source d'accidents.

- d) Retirer toute clé de réglage avant de mettre l'outil en marche.** Une clé laissée fixée sur une partie tournante de l'outil peut donner lieu à des blessures de personnes.
- e) Ne pas se précipiter. Garder une position et un équilibre adaptés à tout moment.** Cela permet un meilleur contrôle de l'outil dans des situations inattendues.
- f) S'habiller de manière adaptée. Ne pas porter de vêtements amples ou de bijoux. Garder les cheveux, les vêtements et les gants à distance des parties en mouvement.** Des vêtements amples, des bijoux ou les cheveux longs peuvent être pris dans des parties en mouvement.
- g) Si des dispositifs sont fournis pour le raccordement d'équipements pour l'extraction et la récupération des poussières, s'assurer qu'ils sont connectés et correctement utilisés.** Utiliser des collecteurs de poussière peut réduire les risques dus aux poussières.

4) UTILISATION ET ENTRETIEN DE L'OUTIL

- a) Ne pas forcer l'outil. Utiliser l'outil adapté à votre application.** L'outil adapté réalisera mieux le travail et de manière plus sûre au régime pour lequel il a été construit.
- b) Ne pas utiliser l'outil si l'interrupteur ne permet pas de passer de l'état de marche à arrêt et vice versa.** Tout outil qui ne peut pas être commandé par l'interrupteur est dangereux et il faut le réparer.
- c) Débrancher la fiche de la source d'alimentation en courant et/ou le bloc de batteries de l'outil avant tout réglage, changement d'accessoires ou avant de ranger l'outil.** De telles mesures de sécurité préventives réduisent le risque de démarrage accidentel de l'outil.

- d) Conserver les outils à l'arrêt hors de la portée des enfants et ne pas permettre à des personnes ne connaissant pas l'outil ou les présentes instructions de le faire fonctionner.** Les outils sont dangereux entre les mains d'utilisateurs novices.
- e) Observer la maintenance de l'outil. Vérifier qu'il n'y a pas de mauvais alignement ou de blocage des parties mobiles, des pièces cassées ou toute autre condition pouvant affecter le fonctionnement de l'outil.** En cas de dommages, faire réparer l'outil avant de l'utiliser. De nombreux accidents sont dus à des outils mal entretenus.
- f) Garder affûtés et propres les outils permettant de couper.** Des outils destinés à couper correctement entretenus avec des pièces coupantes tranchantes sont moins susceptibles de bloquer et sont plus faciles à contrôler.
- g) Utiliser l'outil, les accessoires et les lames etc., conformément à ces instructions, en tenant compte des conditions de travail et du travail à réaliser.** L'utilisation de l'outil pour des opérations différentes de celles prévues pourrait donner lieu à des situations dangereuses.

5) UTILISATION DES OUTILS FONCTIONNANT SUR BATTERIES ET PRÉCAUTIONS D'EMPLOI

- a) Ne recharger qu'avec le chargeur spécifié par le fabricant.** Un chargeur qui est adapté à un type de bloc de batteries peut créer un risque de feu lorsqu'il est utilisé avec un autre type de bloc de batteries.
- b) N'utiliser les outils qu'avec des blocs de batteries spécifiquement désignés.** L'utilisation de tout autre bloc de batteries peut créer un risque de blessure et de feu.
- c) Lorsqu'un bloc de batteries n'est pas utilisé, le maintenir à l'écart de tout autre objet métallique, par exemple trombones, pièces de monnaie, clés, clous, vis ou autres objets de petite taille qui peuvent donner lieu à une**

connexion d'une borne à une autre. Le court-circuitage des bornes d'une batterie entre elles peut causer des brûlures ou un feu.

- d) Dans de mauvaises conditions, du liquide peut être éjecté de la batterie; éviter tout contact. En cas de contact accidentel, nettoyer à l'eau. Si le liquide entre en contact avec les yeux, rechercher en plus une aide médicale.** Le liquide éjecté des batteries peut causer des irritations ou des brûlures.

6) MAINTENANCE ET ENTRETIEN

- a) Faire entretenir l'outil par un réparateur qualifié utilisant uniquement des pièces de rechange identiques.** Cela assurera le maintien de la sécurité de l'outil.

AUTRES REMARQUES DE SÉCURITÉ IMPORTANTES POUR VOTRE TAILLE-HAIE SANS FIL

- 1. Maintenez toutes les parties du corps éloignées de la lame de coupe. N'enlevez pas la matière coupée, et en tenez pas la matière à couper pendant que les lames sont en mouvement.** Assurez-vous que l'interrupteur est éteint lorsque vous enlevez des morceaux de matière coupée. Un moment d'inattention lors de l'utilisation du taille-haie peut causer de graves blessures personnelles.
- 2. Portez le taille-haie par la poignée et avec la lame de coupe arrêtée. Lorsque vous transportez ou stockez le taille-haie, montez toujours le cache du système de coupe.** Une manipulation appropriée du taille-haie réduit le risque de blessure personnelle en raison des lames de coupe.
- 3. Tenir l'outil par ses surfaces antidérapantes et isolées si l'outil de coupe risque d'entrer en contact avec des câbles cachés.** L'entrée en contact avec un câble sous tension rendra les parties en métal de l'outil également sous tension et l'utilisateur pourrait recevoir une



décharge électrique

- 4. Vérifier la haie pour détecter la présence de corps étrangers, tels que par ex. des clôtures barbelées.**
- 5. Utiliser les deux mains pour faire fonctionner le taille-haie.** L'utilisation d'une seule main peut entraîner une perte de contrôle et conduire à des blessures graves.

MISES EN GARDE CONCERNANT LA BATTERIE

- a) La batterie et les piles secondaires ne doivent pas être ouvertes, démontées ou broyées.**
- b) La batterie ne doit pas être court-circuitée. Évitez de mettre la batterie en vrac dans une boîte ou dans un tiroir où elles risqueraient de se court-circuiter entre elles ou au contact d'autres objets métalliques.** Après usage, évitez tout contact de la batterie avec d'autres objets métalliques de petite taille (trombones, pièces, clés, clous, vis etc.) susceptibles de court-circuiter les pôles. Un court-circuit entre les pôles de la batterie peut être à l'origine de brûlures ou d'un incendie.
- c) La batterie ne doit pas être exposée au feu et à la chaleur. Évitez de la ranger à la lumière du soleil.**
- d) La batterie et les piles ne doivent pas être soumises à des chocs mécaniques.**
- e) En cas de fuite des piles, évitez tout contact du liquide avec la peau et les yeux. En cas de contact, rincez abondamment la surface touchée avec de l'eau et appelez les urgences.**
- f) En cas d'ingestion d'une pile ou d'une batterie, appelez immédiatement les urgences.**
- g) La batterie et les piles doivent rester propres et sèches.**
- h) Si la batterie ou les piles se salissent, essuyez-les avec un chiffon propre et sec.**

SYMBOLES

	Avertissement
	Pour réduire le risque de blessure, l'utilisateur doit lire le manuel d'instructions
	Porter une protection pour les oreilles
	Porter des lunettes de protection
	Porter un masque de protection
	Tenez les mains à l'écart
	Retirez la batterie avant d'effectuer des réglages, une réparation ou un entretien.
 Li-Ion	Ne pas jeter les batteries. Les batteries usagées doivent être déposées dans un centre de collectelocal ou dans un centre de recyclage.
	Ne pas exposer à la pluie
	Ne pas exposer à la pluie ni à l'eau
	Ne pas brûler

- i) **La batterie et les piles doivent être chargées avant usage. Utilisez toujours le chargeur adéquat, et respectez les instructions du fabricant ou le mode d'emploi de l'appareil concernant la procédure de recharge.**
- j) **Évitez de laisser une batterie se charger pendant trop longtemps lorsqu'elle n'est pas utilisée.**
- k) **Après de longues périodes d'inutilisation, il peut être nécessaire de charger et décharger la batterie et les piles à plusieurs reprises avant que celles-ci ne retrouvent leur capacité maximale.**
- l) **La batterie et les piles fonctionnent au mieux de leur capacité dans une température ambiante normale, comprise entre +15°C et +25°C environ.**
- m) **Les batteries fonctionnant avec des systèmes électrochimiques différents doivent être mis au rebut séparément.**
- n) **N'utilisez pas d'autre chargeur que celui spécifié par WORX. N'utilisez pas d'autre chargeur que celui spécifiquement fourni avec l'appareil.**
Un chargeur destiné à un type de batterie donné peut être à l'origine d'un incendie s'il est utilisé avec une autre batterie.
- o) **N'utilisez en aucun cas une batterie autre que celle prévue pour cet appareil.**
- p) **La batterie doit être tenue hors de portée des enfants.**
- q) **Gardez la documentation d'origine du produit afin de pouvoir vous y référer ultérieurement.**
- r) **Enlevez la batterie de l'appareil lorsque vous ne l'utilisez pas.**
- s) **Respectez les procédures de mise au rebut.**



Les déchets d'équipements électriques et électroniques ne doivent pas être déposés avec les ordures ménagères. Ils doivent être collectés pour être recyclés dans des centres spécialisés.

Consultez les autorités locales ou votre revendeur pour obtenir des renseignements sur l'organisation de la collecte.

xINR18/65-y: Les cellules cylindriques de la batterie au lithium avec un diam max de 18mm et une hauteur max de 65mm; "x" représente un nombre de cellules connectées en série, vide si 1; "-y" représente un numéro de cellules connectées en parallèle, vide si 1.

1. PACK BATTERIE

2. POIGNÉE ARRIÈRE

3. POIGNÉE AVANT

4. BOUCLIER DE SÉCURITÉ(PROTECTEUR)

5. INTERRUPTEUR AVANT (CIRCULAIRE)

6. INTERRUPTEUR

7. VERROU DE PACK BATTERIE


8. LAME

9. ETUI PROTECTEUR DE LAME*

* Les accessoires reproduits ou décrits ne sont pas tous compris avec le modèle standard livré.

CARACTÉRISTIQUES TECHNIQUES


Modèle **WG259E WG259E.5 WG259E.9 WG260E WG260E.9** (230-269-désignations des pièces, illustration de la Taille-haie sans fil)

	WG259E	WG259E.5	WG259E.9	WG260E	WG260E.9
28 Tension	220-240V~50/60Hz				
Puissance	20V  Max** Lithium				
Vitesse à vide	2200/min				
Max. longueur de coupe	52cm			61cm	
Max. diamètre de coupe	14mm			19mm	
Temps de chargement	5hr approx.	1hr approx.	/	5hr approx.	/
Poids de la machine	2.5kg	2.5kg	2.1kg	2.5kg	2.1kg

**La tension est mesurée à vide. La tension initiale de la batterie atteint un maximum de 20 volts. La tension nominale est de 18 volts.

INFORMATIONS RELATIVES AU BRUIT

Niveau de pression acoustique	77dB(A)
Niveau de puissance acoustique	90dB(A)
K_{pA}	3.0dB(A)
	80dB(A)

Porter un casque anti-bruit lorsque la pression sonore est supérieure à 

INFORMATIONS RELATIVES AUX VIBRATIONS

Valeurs totales de vibrations déterminées selon la norme EN 60745:

Valeur de vibration mesurée $a_{11}=2.2\text{m/s}^2$

Incertitud $K = 1.5\text{m/s}^2$

La valeur totale de vibration déclarée peut être utilisée pour comparer un outil à un autre, et peut également être utilisé dans une évaluation préliminaire de l'exposition.

AVERTISSEMENT: La valeur d'émission de vibrations pendant l'utilisation réelle de l'outil électrique peut différer de la valeur déclarée selon la façon dont l'outil est utilisé, selon les exemples suivants et d'autres variations sur la façon dont l'outil est utilisé:

L'outil est en bon état et bien entretenu.

L'utilisation du bon accessoire pour l'outil et l'assurance qu'il est affûté et en bon état.

Le serrage du grip sur les poignées et le cas échéant les accessoires anti-vibrations utilisés.

Et l'outil est utilisé comme prévu dans sa conception et dans les présentes instructions.

Cet outil peut causer un syndrome de vibration du bras et de la main s'il n'est pas correctement géré

AVERTISSEMENT: Pour être précise, une évaluation du niveau d'exposition en conditions réelles d'utilisation doit également tenir compte de toutes les parties du cycle d'utilisation telles que les moments où l'outil est éteint, et ceux où il fonctionne au ralenti mais ne réalise pas réellement de tâche.

Ceci peut réduire de façon significative le niveau d'exposition et la période de fonctionnement totale.

Ceci peut réduire de manière significative le niveau d'exposition et la durée d'utilisation totale.

Aider à minimiser le risque d'exposition aux vibrations.

Utilisez TOUJOURS des ciseaux, des forets et des lames affûtés

Entretenez cet outil en accord avec les présentes instructions et maintenez-le lubrifié (si approprié).

Si l'outil doit être utilisé régulièrement, investissez dans des accessoires anti-vibrations.

Évitez d'utiliser des outils à des températures inférieures ou égales à 10°C.

Planifiez votre travail pour étaler l'utilisation des outils à forte vibration sur plusieurs jours.

ACCESSOIRES

	WG259E	WG259E.5	WG259E.9	WG260E	WG260E.9
Etui protecteur de lame	1	1	1	1	1
Bouclier de sécurité	1	1	1	1	1
Chargeur	1 (WA3760)	1 (WA3860)	/	1 (WA3760)	/
Pack batterie	1 (WA3551.1)	1 (WA3551.1)	/	1 (WA3551)	/


Nous recommandons d'acheter tous les accessoires dans le magasin d'acquisition de la machine. Pour plus d'informations, se référer à l'emballage des accessoires. Le personnel du magasin est également là pour vous conseiller.

ASSEMBLAGE ET FONCTIONNEMENT

 **REMARQUE:** Avant d'utiliser cet outil, lire attentivement les instructions.

UTILISATION CONFORME

L'appareil est conçu pour découper et tailler des haies et des buissons dans des jardins domestiques et de plaisance.

 **AVERTISSEMENT! Ne pas mettre en marche l'appareil sans avoir auparavant monté le bouclier protecteur et la poignée avant.**

ASSEMBLAGE ET FONCTIONNEMENT

ACTION	FIGURE
ASSEMBLAGE	
Montage du bouclier protecteur	Voir Fig. A
Assemblage de la poignée avant REMARQUE: Les vis de la poignée doivent être face au protecteur de sécurité. Si la poignée avant est assemblée vers l'arrière, l'outil ne fonctionnera pas.	Voir Fig. B1, B2, B3
Enlever ou installer la batterie	Voir Fig. C
CHARGE DE VOTRE BATTERIE La batterie N'EST PAS CHARGÉE et il faut la charger une fois avant de l'utiliser. Pour plus d'informations, reportez-vous au manuel du chargeur WA3760 (pour WG259E WG260E) ou WA3860 (pour WG259E.5)	
FONCTIONNEMENT	
Démarrage et arrêt	Voir Fig. D1, D2

Coupes hautes  AVERTISSEMENT: Si des pièces manquent, sont endommagées ou cassées, n'utilisez pas le taille-haie sans fil tant que les pièces endommagées ne sont pas remplacées ou réparées. Le non-respect de cette consigne peut entraîner de graves blessures. NE PAS METTRE EN MARCHÉ L'APPAREIL SANS AVOIR AUPARAVANT MONTE LE BOUCLIER PROTECTEUR ET LA POIGNEE AVANT.	Voir Fig. E1
Coupes sur les côtés	Voir Fig. E2
Graissage de la lame de coupe	Voir Fig. F

TRAVAILLER AVEC LE TAILLE HAIE

Notez que le l'interrupteur peut être activé sur trois côtés, ce qui vous offre de nombreux choix pour une saisie confortable. Avant de couper une zone, inspectez-la d'abord et retirez tout objet étranger qui pourrait être projeté ou s'entremêler dans les lames. Tenez toujours la taille-haie des deux mains, la lame loin de vous, avant de le mettre en marche. Lorsque vous taillez des nouvelles pousses, adoptez un grand mouvement de balayage de sorte que les tiges soient prises directement dans la lame (voir E1 et E2).

Laissez les lames de coupes atteindre le plein régime avant la coupe. Pendant le fonctionnement, tenez les lames de coupes à l'écart des gens et des objets tels que les murs, les grosses pierres, les arbres, les véhicules, etc.

Si la lame se décroche, arrêtez immédiatement le taille-haie. Relâchez les deux interrupteurs (5 et 6) avant d'essayer de retirer les débris bloqués dans les lames de coupes.

Portez des gants lorsque vous taillez des pousses épineuses.

N'essayez pas de couper les tiges trop épaisses pour la lame coupante.

COUPES HAUTES

Donnez au taille- haie un mouvement de large amplitude dans les 2 sens (Voir E1). Une légère inclinaison des lames de haut en bas accompagnant le mouvement donnera une excellente qualité de coupe.

COUPES SUR LES CÔTÉS

Pour la taille de côté, démarrez par le bas de la haie, coupez en remontant (Voir E2) en effectuant une taille conique du bas vers le haut. Cette forme permet une meilleure exposition de la haie et une croissance plus uniforme.

ENTRETIEN

Retirez la batterie avant d'effectuer des réglages, une réparation ou un entretien.

Il n'y a pas de pièces réparables par l'utilisateur dans cet outil. Ne jamais utiliser d'eau ou de nettoyants chimiques pour nettoyer l'outil. Nettoyer avec un chiffon sec. Toujours conserver l'outil motorisé dans un endroit sec. Maintenir les fentes de ventilation du moteur propres. Empêcher que les commandes de marche soient couvertes de sciure.

PROTECTION DE L'ENVIRONNEMENT



Les déchets d'équipements électriques et électroniques ne doivent pas être déposés avec les ordures ménagères. Ils doivent être collectés pour être recyclés dans des centres spécialisés. Consultez les autorités locales ou votre revendeur pour obtenir des renseignements sur l'organisation de la collecte.

DECLARATION DE CONFORMITE

Nous,
POSITEC Germany GmbH
Konrad-Adenauer-Ufer 37
50668 Köln

Déclarons ce produit

Description **Taille-haie sans cordon WORX**

Modèle **WG259E WG259E.5 WG259E.9**

WG260E WG260E.9

(230-269- désignations des pièces, illustration de la Taille-haie sans fil)

Fonction **Émondage des haies et des buissons**

Est conforme aux directives suivantes
2006/42/EC, 2014/30/EU, 2011/65/EU, 2000/14/EC amendée par 2005/88/EC

2000/14/CE amendée par 2005/88/CE

- Procédure d'évaluation de la conformité conformément à **Annex V**

- Niveau de pression acoustique **87.1dB(A)**

- Niveau d'intensité acoustique **90dB(A)**

Et conforme aux normes,

EN 60745-1

EN 60745-2-15

EN ISO 3744

EN 55014-1

EN 55014-2

La personne autorisée à compiler le dossier technique,

Nom Russell Nicholson

Adresse Positec Power Tools (Europe) Ltd, PO Box 6242, Newbury, RG14 9LT, UK



Suzhou 2017/06/22

Allen Ding

Ingénieur en chef adjoint, Essais & Certification

SICUREZZA DEL PRODOTTO

AVVISI GENERALI PER LA SICUREZZA DEGLI UTENSILI A MOTORE



ATTENZIONE! È assolutamente necessario leggere attentamente tutte le istruzioni. Eventuali errori nell'adempimento delle istruzioni qui di seguito riportate potranno causare scosse elettriche, incendi e/o lesioni gravi.

Conservare tutti gli avvisi e le istruzioni per poterle consultare quando necessario.

Il termine qui di seguito utilizzato «utensile elettrico» si riferisce ad utensili elettrici alimentati dalla rete (con linea di allacciamento), nonché ad utensili elettrici alimentati a pile (senza linea di allacciamento).

1) POSTO DI LAVORO

a) Mantenere pulito ed ordinato il posto di lavoro. Il disordine e le zone di lavoro non illuminate possono essere fonte di incidenti.

b) Evitare d'impiegare l'utensile in ambienti soggetti al rischio di esplosioni nei quali si trovino liquidi, gas o polveri infiammabili. Gli utensili elettrici producono scintille che possono far infiammare la polvere o i gas.

c) Mantenere lontani i bambini ed altere persone durante l'impiego dell'utensile elettrico. Eventuali distrazioni potranno comportare la perdita del controllo sull'utensile.

2) SICUREZZA ELETTRICA

a) La spina per la presa di corrente dovrà essere adatta alla presa. Evitare assolutamente di apportare modifiche alla spina. Non impiegare spine adattatrici assieme ad utensili con collegamento a terra. Le spine non modificate e le prese adatte allo scopo riducono il rischio di scosse elettriche.

b) Evitare il contatto fisico con superfici collegate a terra, come tubi, riscaldamenti, cucine elettriche

e frigoriferi. Sussiste un maggior rischio di scosse elettriche nel momento in cui il corpo è messo a massa.

c) Custodire l'utensile al riparo dalla pioggia o dall'umidità. L'eventuale infiltrazione di acqua in un utensile elettrico va ad aumentare il rischio d'insorgenza di scosse elettriche.

d) Non usare il cavo per scopi diversi da quelli previsti al fine di trasportare o appendere l'apparecchio, oppure di togliere la spina dalla presa di corrente. Mantenere l'utensile al riparo da fonti di calore, dall'olio, dagli spigolii da parti di strumenti in movimento. I cavi danneggiati o aggrovigliati aumentano il rischio d'insorgenza di scosse elettriche.

e) Qualora si voglia usare l'utensile all'aperto, impiegare solo ed esclusivamente cavi di prolunga omologati per l'impiego all'esterno.

L'uso di un cavo di prolunga omologato per l'impiego all'esterno riduce il rischio d'insorgenza di scosse elettriche.

f) Se si deve utilizzare l'utensile a motore in un luogo umido, utilizzare una fonte di alimentazione con protezione a corrente residua. L'uso di un dispositivo a corrente residua reduce il rischio di folgorazioni elettriche.

3) SICUREZZA DELLE PERSONE

a) È importante concentrarsi su ciò che si sta facendo e a maneggiare con giudizio l'utensile elettrico durante le operazioni di lavoro. Non utilizzare l'utensile in caso di stanchezza o sotto l'effetto di droghe, bevande alcoliche e medicinali. Un attimo di distrazione durante l'uso dell'utensile potrà causare lesioni gravi.

b) Indossare sempre equipaggiamento protettivo individuale, nonché guanti protettivi. Se si avrà cura d'indossare equipaggiamento protettivo individuale come la maschera antipolvere, la calzatura antidruduciolevole di sicurezza, il casco protettivo o la protezione dell'udito, a seconda dell'impiego previsto per l'utensile

elettrico, si potrà ridurre il rischio di ferite.

c) Evitare avviamenti involontari.

Controllare che l'interruttore sia nella posizione off prima di effettuare il collegamento a una sorgente di alimentazione/batteria, e prima di sollevare o trasportare l'utensile. Il fatto di tenere il dito sopra all'interruttore o di collegare l'utensile acceso all'alimentazione di corrente potrà essere causa di incidenti.

d) Togliere gli attrezzi di regolazione o la chiave inglese prima di accendere l'utensile.

Un utensile o una chiave inglese che si trovino in una parte di strumento in rotazione potranno causare lesioni.

e) È importante non sopravvalutarsi.

Avere cura di mettersi in posizione sicura e di mantenere l'equilibrio. In tale maniera sarà possibile controllare meglio l'apparecchio in situazioni inaspettate.

f) Indossare vestiti adeguati. Evitare di indossare vestiti lenti o gioielli. Tenere i capelli, i vestiti ed i guanti lontani da pezzi in movimento.

Vestiti lenti, gioielli o capelli lunghi potranno impigliarsi in pezzi in movimento.

g) Se sussiste la possibilità di montare dispositivi di aspirazione o di captazione della polvere, assicurarsi che gli stessi siano stati installati correttamente e vengano utilizzati senza errori.

L'impiego dei suddetti dispositivi diminuisce il pericolo rappresentato dalla polvere.

4) MANEGGIO ED IMPIEGO ACCURATO DI UTENSILI ELETTRICI

a) Non sovraccaricare l'utensile.

Impiegare l'utensile elettrico adatto per sbrigare il lavoro. Utilizzando l'utensile elettrico adatto si potrà lavorare meglio e con maggior sicurezza nell'ambito della gamma di potenza indicata.

b) Non utilizzare utensili elettrici con interruttori difettosi.

Un utensile elettrico che non si può più accendere o spegnere è pericoloso e dovrà essere riparato.

c) Scollegare la spina dalla sorgente di alimentazione e/o la batteria dall'utensile prima di effettuare regolazione, cambiare accessori, o riporre gli utensili a motore.

Tale precauzione eviterà che l'apparecchio possa essere messo in funzione inavvertitamente.

d) Custodire gli utensili elettrici non utilizzati al di fuori della portata dei bambini. Non fare usare l'apparecchio a persone che non sono abituate ad usarlo o che non abbiano letto le presenti istruzioni.

Gli utensili elettrici sono pericolosi se utilizzati da persone inesperte.

e) Effettuare accuratamente la manutenzione dell'apparecchio. Verificare che le parti mobili dello strumento funzionino perfettamente e non s'inceppino, che non ci siano pezzi rotti o danneggiati al punto tale da limitare la funzione dell'apparecchio stesso. Far riparare le parti danneggiate prima d'impiegare l'apparecchio.

Numerosi incidenti vengono causati da utensili elettrici la cui manutenzione è stata effettuata poco accuratamente.

f) Mantenere affilati e puliti gli utensili da taglio.

Gli utensili da taglio curati con particolare attenzione e con taglienti affilati s'inceppano meno frequentemente e sono più facili da condurre.

g) Utilizzare utensili elettrici, accessori, attrezzi, ecc. in conformità con le presenti istruzioni e secondo quanto previsto per questo tipo specifico di apparecchio. Osservare le condizioni di lavoro ed il lavoro da eseguirsi durante l'impiego.

L'impiego di utensili elettrici per usi diversi da quelli consentiti potrà dar luogo a situazioni di pericolo.

5) MANEGGIO ED IMPIEGO ACCURATO DI ACCUMULATORI

a) Caricare l'accumulatore solo ed esclusivamente nei dispositivi di carica consigliati dal produttore.

Per un dispositivo di carica previsto per un

determinato tipo di accumulatore, sussiste pericolo di incendio, se utilizzato con un accumulatore di tipo diverso.

- b) Utilizzare negli utensili elettrici solo ed esclusivamente gli accumulatori previsti allo scopo.** L'uso di accumulatori di tipo diverso potrà dare insorgenza a lesioni e comportare il rischio d'incendi.
- c) Tenere l'accumulatore non utilizzato lontano da graffette, monete, chiavi, chiodi, viti o da altri oggetti in metallo di piccole dimensioni che potrebbero causare un ponte tra i contatti.** Un eventuale corto circuito tra i contatti dell'accumulatore potrà dare origine a bruciature o ad incendi.
- d) In caso di impiego sbagliato, potranno insorgere fuoriuscite di liquido dall'accumulatore. Evitarne il contatto. In caso di contatto casuale, sciacquare con acqua. Qualora il liquido dovesse entrare in contatto con gli occhi, chiedere immediato consiglio al medico.** Il liquido fuoriuscito dall'accumulatore potrà causare irritazioni cutanee o bruciature.

lesioni personali.

- 2. Trasportare il tosasiepi prendendolo dall'impugnatura con la lama di taglio ferma. Per il trasporto o lo stoccaggio del tosasiepi, inserire sempre la protezione della lama di taglio.** Se il tosasiepi viene maneggiato in modo corretto, si riducono le possibilità di lesioni causate dalle lame di taglio.
- 3. Afferrare lo strumento per le apposite maniglie quando si eseguono operazioni durante le quali l'attrezzo potrebbe entrare in contatto con cavi nascosti.** Il contatto con cavi elettrici in tensione espone l'operatore al rischio di scosse elettriche.
- 4. Controllare il cespuglio per la presenza di oggetti estranei, per esempio recinzioni metalliche.**
- 5. Utilizzare entrambe le mani quando si impiega il tagliasiepi.** L'uso di una sola mano potrebbe causare la perdita del controllo e provocare gravi lesioni personali.

34

6) ASSISTENZA

- a) Fare riparare l'apparecchio solo ed esclusivamente da personale specializzato e solo impiegando pezzi di ricambio originali.** In tale maniera potrà essere salvaguardata la sicurezza dell'apparecchio.

NORME DI SICUREZZA SUPPLEMENTARI RELATIVE ALL'USO DEL TAGLIA SIEPI A BATTERIA

- 1. Tenere tutte le parti del corpo distanti dalla lama di taglio. Non rimuovere il materiale tagliato e non tenere il materiale da tagliare quando le lame sono in movimento. Controllare che l'interruttore sia in posizione spento quando si toglie materiale inceppato.** È sufficiente un momento di disattenzione nell'uso del tosasiepi per provocare gravi

ISTRUZIONI PER LA SICUREZZA DEL PACCO BATTERIA

- a) Non smontare, aprire o strappare le cellule secondarie o il pacco batteria.**
- b) Non cortocircuitare un pacco batteria. Non conservare un pacco batteria disordinatamente in una scatola o un cassetto in cui potrebbero cortocircuitarsi tra essi o essere cortocircuitati da altri oggetti metallici.** Quando il pacco batteria non è in uso, tenerlo lontano da altri oggetti metallici come graffette, monete, chiavi, chiodi, viti e altri piccoli oggetti metallici, potrebbe avverarsi un collegamento tra i due terminali. Collegare i terminali della batteria potrebbe causare incendi o ustioni.
- c) Non esporre il pacco batteria a calore o fuoco. Evitare di conservarli alla luce diretta del sole.**
- d) Non sottoporre il pacco batteria a scosse meccaniche.**

- e) In caso di perdite da una cellula, evitare che il liquido entri in contatto con la pelle o gli occhi. In caso di contatto, lavare l'area interessata con abbondante acqua e consultare un medico.
- f) Se si ingerisce una cellula o un pacco batteria, consultare immediatamente un medico.
- g) Tenere le cellule e il pacco batteria puliti e asciutti.
- h) Pulire i terminali delle cellule e del pacco batteria con un panno pulito e asciutto nel caso in cui si sporchino.
- i) Il pacco batteria deve essere caricato prima dell'uso. Utilizzare sempre il caricatore corretto e consultare le istruzioni.
- j) Non lasciare un pacco batteria in carica se non in uso.
- k) Dopo lunghi periodi di conservazione, potrebbe essere necessario caricare e scaricare le cellule o il pacco batteria diverse volte per ottenere le massime prestazioni.
- l) Il pacco batteria offre prestazioni ottimali se utilizzate ad una temperatura ambiente normale (20°C ± 5°C).
- m) Quando si smaltiscono i pacchi batteria, tenere i pacchi batteria con diversi sistemi elettrochimici separati gli uni dagli altri.
- n) Ricaricare solo con il caricatore specificato da WORX. Non utilizzare caricatori diversi da quelli forniti per l'uso specifico con l'apparecchiatura. Un caricatore adatto ad un tipo di pacco batteria potrebbe provocare rischi d'incendi quando è usato con un altro pacco batteria.
- o) Non utilizzare un pacco batteria non progettato per l'uso con l'apparecchiatura.
- p) Tenere il pacco batteria fuori dalla portata dei bambini.
- q) Conservare i documenti originali del prodotto per riferimenti futuri.
- r) Rimuovere la batteria dall'apparecchiatura, se non in uso.
- s) Smaltire adeguatamente.

SIMBOLI

	ATTENZIONE!
	Per ridurre il rischio di lesioni, l'utente deve leggere il manuale di istruzioni
	Indossare una protezione per le orecchie
	Indossare una protezione per gli occhi
	Indossare una maschera antipolvere
	Tenere lontane le mani
	Togliere la batteria prima di effettuare qualsiasi regolazione, manutenzione o riparazione.
 Li-Ion	Non smaltire le batterie. Portare le batterie scariche presso un centro locale di riciclaggio o di raccolta
	Non esporre alla pioggia
	Non esporre alla pioggia o all'acqua
	Non bruciare



I prodotti elettrici non possono essere gettati tra i rifiuti domestici. L'apparecchio da rottamare deve essere portato al centro di riciclaggio per un corretto trattamento. Controllare con le autorità locali o con il rivenditore per localizzare il centro di raccolta/riciclaggio più vicino.

xINR18/65-y: Batterie cilindriche agli ioni di litio con diametro di 18 mm e altezza max di 65 mm; "x" rappresenta un numero di batterie collegate in serie, vuoto se 1; "-y" rappresenta un numero di batterie collegate in parallelo, vuoto se 1.

1. UNITÀ BATTERIA

2. IMPUGNATURA POSTERIORE

3. IMPUGNATURA ANTERIORE

4. PROTEZIONE

5. INTERRUTTORE ANTERIORE (AZIONABILE DA OGNI POSIZIONE)

6. INTERRUTTORE

7. SERRATURA A SCATTO UNITÀ BATTERIA


8. LAMA

9. COPERTURA LAMA*

* Accessori illustrati o descritti non fanno necessariamente parte del volume di consegna.

DATI TECNICI


Codice **WG259E WG259E.5 WG259E.9 WG260E WG260E.9** (230-269- designazione del macchinario rappresentativo del tagliasepi)

	WG259E	WG259E.5	WG259E.9	WG260E	WG260E.9
Tensione	220-240V~50/60Hz				
Potenza	20V  Max** Lithium				
Velocità a vuoto	2200/min				
Max. ampiezza di taglio	52cm			61cm	
Max. diametro di taglio	14mm			19mm	
Tempo di carica	5hr approx.	1hr approx.	/	5hr approx.	/
Peso dell'apparecchio	2.5kg	2.5kg	2.1kg	2.5kg	2.1kg

**Tensione misurata senza carico di lavoro. La tensione iniziale della batteria raggiunge un massimo di 20 Volt. La tensione nominale è di 18 Volt.

INFORMAZIONI SUL RUMORE

Rumore ponderato	77dB(A)
Potenza acustica ponderata	90dB(A)
K_{pA}	3.0dB(A)
	80dB(A)

Indossare cuffie di protezione dell'udito quando la pressione supera gli 


INFORMAZIONI SULLA VIBRAZIONE

I valori totali di vibrazione sono determinati secondo lo standard EN 60745:

La vibrazione ponderata tipica è di $a_{\text{p}}=2.2\text{m/s}^2$

Incertezza $K = 1.5\text{m/s}^2$

Si può usare il valore totale della vibrazione dichiarata per riportare un attrezzo all'altro e anche come verifica preliminare dell'esposizione.

 **AVVERTENZA:** Il valore delle vibrazioni emesse durante il reale utilizzo dello strumento possono differire dal valore dichiarato in base ai modi con cui viene usato lo strumento, ai seguenti esempi e ad altre variabili:


Le condizioni e la buona manutenzione dello strumento

L'uso dell'accessorio corretto per il taglio e la sua affilatura, nonché le sue buone condizioni.

La stretta sull'impugnatura e l'eventuale utilizzo di accessori antivibrazione.

L'adeguatezza dell'utilizzo dell'utensile rispetto a quanto previsto.

Questo strumento potrebbe causare la sindrome della vibrazione dell'avambraccio se il suo utilizzo non viene gestito correttamente

 **AVVERTENZA:** Per essere precisi, una stima del livello di esposizione nelle attuali condizioni di utilizzo dovrebbe anche tenere conto di tutte le parti del ciclo operativo, come le volte in cui lo strumento viene spento e il tempo in cui viene lasciato girare a vuoto senza realmente fare il suo lavoro. Questo potrebbe ridurre significativamente il livello di esposizione sul periodo di lavoro totale.

Un aiuto a minimizzare il proprio rischio di esposizione alle vibrazioni.

Conservare questo strumento sempre in conformità a queste istruzioni e mantenerlo ben lubrificato (dove appropriato).

Se lo strumento deve essere usato regolarmente, investire in accessori antivibrazione.

Evitare l'utilizzo dello strumento a temperature di 10°C o inferiori


Pianificare il programma di lavoro in modo da suddividere i lavori che implicano le maggiori vibrazioni nell'arco di più giorni.

ACCESSORI

	WG259E	WG259E.5	WG259E.9	WG260E	WG260E.9
Copertura lama	1	1	1	1	1
Protezione	1	1	1	1	1
Carica batterie	1 (WA3760)	1 (WA3860)	/	1 (WA3760)	/
Unità batteria	1 (WA3551.1)	1 (WA3551.1)	/	1 (WA3551)	/

Si raccomanda di acquistare tutti gli accessori nello stesso negozio in cui è stato acquistato l'attrezzo. Fare riferimento alla confezione dell'accessorio per altri dettagli. Il personale del negozio può aiutarvi e consigliarvi.

ISTRUZIONI SUL FUNZIONAMENTO

 **NOTA:** Leggere scrupolosamente il manuale delle istruzioni prima di usare l'attrezzo.

USO CONFORME ALLE NORME

L'utensile è previsto per tagliare e tosare siepi e cespugli del Vostro giardino.

 **ATTENZIONE! NON USARE L'APPARECCHIO SENZA AVER MONTATO LA PROTEZIONE E L'IMPUGNATURA ANTERIORE.**

MONTAGGIO E FUNZIONAMENTO

AZIONE	FIGURA
MONTAGGIO	
MONTAGGIO DELLA PROTEZIONE	Vedere Fig. A
MONTAGGIO DELL'IMPUGNATURA ANTERIORE NOTA: Le viti dell'impugnatura non devono essere rivolte verso la protezione. Se l'impugnatura anteriore viene montata al rovescio l'utensile non si accenderà.	Vedere Fig. B1, B2, B3
RIMOZIONE E INSTALLAZIONE DELL'UNITÀ BATTERIA	Vedere Fig. C
CARICAMENTO DELL'UNITÀ BATTERIA L'unità batteria fornita è SCARICA ed è necessario caricarla prima di utilizzarla. È possibile trovare maggiori dettagli nel manuale del caricatore: WA3760 (per WG259E WG260E) o WA3860 (per WG259E.5)	
FUNZIONAMENTO	
AZIONAMENTO E ARRESTO	Vedere Fig. D1, D2

TAGLIO ORIZZONTALE SUPERIORE

 **ATTENZIONE:** Qualora vi fossero parti mancanti, danneggiate o rotte, non utilizzare il tagliasiepi finché tutte le parti danneggiate non saranno sostituite o riparate. In caso contrario potrebbero verificarsi lesioni personali gravi. **NON USARE L'APPARECCHIO SENZA AVER MONTATO LA PROTEZIONE E L'IMPUGNATURA ANTERIORE.**

Vedere Fig. E1

TAGLIO FRONTALE E LATERALE

Vedere Fig. E2

LUBRIFICARE LA LAMA

Vedere Fig. F

COME UTILIZZARE IL TAGLIASIEPI

Notare che l'interruttore anteriore può essere attivato su tre lati, fornendo molte possibilità per un'impugnatura comoda. Prima di tagliare una zona, ispezionarla e rimuovere tutti gli oggetti estranei che possono essere lanciati o impigliarsi nelle lame. Tenere sempre il taglia siepe con entrambe le mani e indirizzare la lama lontano da sé prima di accendere l'attrezzo.

Iniziare a tagliare quando il motore ha raggiunto la velocità di regime. Utilizzare l'apparecchio lontano da persone e corpi solidi come muro, grosse pietre, automobili, ecc. (Vedi E1& E2)

Consentire alle lame di raggiungere la massima velocità prima di tagliare. Durante l'uso tenere le lame di taglio lontane dalle persone e da oggetti come pareti, grosse pietre, alberi, veicoli, eccetera. Se la lama va in stallo, spegnere immediatamente il tagliasiepi. Rilasciare i due interruttori (5 e 6) prima di tentare di eliminare l'accumulo di sporcizia dalle lame. Indossare guanti da lavoro quando si tagliano crescite pungenti o spinose.

Non tentare di tagliare steli troppo spessi per la lama di taglio.

TAGLIO ORIZZONTALE SUPERIORE

Usare ampi movimenti laterali sinistra e destra (Vedi E1). Una leggera inclinazione della lama verso il basso, nella direzione di taglio, permetterà migliori risultati.

TAGLIO FRONTALE E LATERALE

Quando si procede al taglio frontale e laterale, cominciare sempre dal basso verso l'alto (Vedi E2) arrotondando il lato della siepe. Questa forma esporrà al sole più superficie della siepe e quindi permetterà una crescita uniforme della stessa.

MANUTENZIONE

Togliere la batteria prima di effettuare qualsiasi regolazione, manutenzione o riparazione.

All'interno dell'attrezzo non ci sono parti riparabili da parte dell'utente. Non usare mai acqua o detergenti chimici per pulire l'attrezzo.

Pulire con un panno asciutto. Immagazzinare sempre gli attrezzi elettrici in luoghi asciutti.

Tenere pulite le aperture di ventilazione del motore. Tenere puliti dalla polvere tutti i controlli operativi.

TUTELA AMBIENTALE



I prodotti elettrici non possono essere gettati tra i rifiuti domestici.

■ L'apparecchio da rottamare deve essere portato al centro di riciclaggio per un corretto trattamento. Controllare con le autorità locali o con il rivenditore per localizzare il centro di raccolta/riciclaggio più vicino.

DICHIARAZIONE DI CONFORMITÀ

Noi
POSITEC Germany GmbH
Konrad-Adenauer-Ufer 37
50668 Köln

Dichiara che l'apparecchio ,
Descrizione **WORX Tagliasiepi senza filo**
Codice **WG259E WG259E.5 WG259E.9**
WG260E WG260E.9 (230-269-
designazione del macchinario
representativo del tagliasiepi)
Funzione **L'utensile è previsto per tagliare e**
tosare siepi ecespugli del Vostro giardino.

È conforme alle seguenti direttive,
2006/42/EC, 2014/30/EU, 2011/65/EU,
2000/14/EC modificata dalla 2005/88/EC

2000/14/EC modificata dalla 2005/88/EC
- Procedura di conformità come da

Annex V

- Potenza acustica ponderat **87.1dB(A)**
- Massima potenza di rumore garantita
90dB(A)

Conforme a,

EN 60745-1
EN ISO 3744
EN 55014-2

EN 60745-2-15
EN 55014-1

Il responsabile autorizzato alla compilazione della documentazione tecnica,

Nome Russell Nicholson
Indirizzo Positec Power Tools (Europe)
Ltd, PO Box 6242, Newbury, RG14 9LT,
UK




Suzhou 2017/06/22

Allen Ding

Vice capo ingegnere, testing e certificazione

INSTRUCCIONES DE SEGURIDAD

ADVERTENCIA DE SEGURIDAD GENERALES SOBRE HERRAMIENTAS ELÉCTRICAS

 **¡ ADVERTENCIA! Leer todas las instrucciones.** Si no se respetan las instrucciones, existe un riesgo de descargas eléctricas, de incendio y/o de graves heridas.

Conserve todas las advertencias e instrucciones para futuras consultas. El término “herramienta eléctrica” en todas las advertencias siguientes corresponde a la herramienta eléctrica con o sin cable.

1) ZONA DE TRABAJO

- a) **Mantener su lugar de trabajo limpio y bien iluminado.** Bancos de trabajo desordenados y lugares oscuros invitan a los accidentes.
- b) **No utilizar herramientas eléctricas en atmósferas explosivas, como por ejemplo en presencia de líquidos inflamables, gases o polvo.** Las herramientas eléctricas crean chispas que pueden encender el polvo o los vapores.
- c) **Mantener alejados a los niños y visitantes mientras opera una herramienta eléctrica.** Las distracciones pueden hacerle perder el control.

2) SEGURIDAD ELÉCTRICA

- a) **Los enchufes de la herramienta eléctrica deben encajar perfectamente en el tomacorriente. Nunca modificar el enchufe de ninguna manera. No utilizar adaptadores con herramientas eléctricas conectadas a tierra.** Los enchufes no modificados y los que encajan perfectamente en el tomacorriente reducirán el riesgo de descarga eléctrica
- b) **Evitar el contacto del cuerpo con superficies conectadas a tierra tales como caños, radiadores, cocinas y heladeras.** Existe un riesgo creciente

de descarga eléctrica si su cuerpo queda conectado a tierra.

- c) **No exponer las herramientas eléctricas a la lluvia y no guardar en lugares húmedos.** El agua que penetra en ellas aumentará el riesgo de una descarga eléctrica.
- d) **No abusar del cable. Nunca utilizar el cable para transportar, tirar o desenchufar la herramienta eléctrica. Mantener el cable alejado del calor, del aceite, de bordes agudos o piezas móviles.** Los cables dañados o enredados aumentan el riesgo de descarga eléctrica.
- e) **Cuando utilice su herramienta eléctrica al aire libre, emplear un prolongador apto para uso en exteriores.** El empleo de cables para uso al aire libre reduce el riesgo de descarga eléctrica.
- f) **Si es necesario utilizar la herramienta motorizada en un lugar muy húmedo, utilice una fuente de alimentación con dispositivo de corriente residual (RCD).** El uso de un RCD reduce el riesgo de descarga eléctrica.

3) SEGURIDAD PERSONAL

- a) **Mantenerse alerta, poner atención en lo que está haciendo y utilice el sentido común mientras opera una herramienta eléctrica. No emplear la herramienta cuando se encuentre cansado o bajo la influencia de drogas, alcohol o medicación.** Un momento de falta de atención durante el manejo de herramientas eléctricas puede dar lugar a daños corporales serios.
- b) **Utilizar equipo de seguridad. Usar siempre protección ocular.** Equipo de seguridad como máscaras contra el polvo, zapatos antideslizantes de seguridad, sombrero o protección auditiva para condiciones apropiadas reducirá daños corporales.
- c) **Evite el arranque accidental. Asegúrese de que el interruptor se encuentra desactivado antes de enchufar la máquina o colocar la batería, al tomar la herramienta o**

transportarla. Transportar herramientas con el dedo en el interruptor o enchufar la herramienta cuando el interruptor está encendido invitan a los accidentes.

- d) Retire llaves de ajuste o llaves inglesas antes de poner la herramienta en funcionamiento.** Una llave que queda unida a una pieza móvil de la herramienta puede originar daños corporales.
- e) No extralimitarse. Mantenerse firme y con buen equilibrio en todo momento.** Esto permite un mejor control de la herramienta en situaciones inesperadas.
- f) Vestirse apropiadamente. No usar ropa suelta ni alhajas. Mantener su cabello, ropa y guantes alejados de las piezas móviles.** La ropa suelta, las alhajas o el cabello largo pueden ser atrapados por las piezas móviles.
- g) Si se proporcionan dispositivos para la extracción y recolección de polvo, asegurarse de que estos estén conectados y utilizados correctamente.** El uso de estos dispositivos puede reducir peligros relacionados con el polvo.

4) MANTENIMIENTO DE LA HERRAMIENTA MOTORIZADA

- a) No forzar la herramienta eléctrica. Utilizar la herramienta eléctrica correcta para su aplicación.** La herramienta eléctrica correcta hará el trabajo mejor y más seguro a la velocidad para la cual fue diseñada.
- b) No utilizar la herramienta eléctrica si el interruptor no la enciende o apaga.** Cualquier herramienta eléctrica que no pueda ser controlada con el interruptor es peligrosa y debe ser reparada.
- c) Desconecte el enchufe de la toma eléctrica y/o la batería de la herramienta antes de realizar cualquier ajuste, cambiar un accesorio o guardar la herramienta.** Tales medidas de seguridad preventivas reducen el riesgo de arranque accidental de la herramienta.
- d) Mantener las herramientas eléctricas que no usa fuera del alcance de los niños y no permita que personas no**

familiarizadas con la herramienta o con estas instrucciones maneje la herramienta eléctrica. Las herramientas eléctricas son peligrosas en manos de usuarios inexpertos.

- e) Revisar las herramientas eléctricas. Comprobar si hay desalineamiento o atascamiento de piezas móviles, rotura de piezas en general y cualquier otra condición que pueda afectar la operación normal de la herramienta. Si se verifican daños, recurra a un service calificado antes de volver a usar la herramienta.** Las herramientas mal mantenidas causan muchos accidentes.
- f) Mantener las piezas de corte limpias y afiladas.** Puesto que son menos probables de atascarse y más fáciles de controlar.
- g) Utilizar la herramienta eléctrica, accesorios y brocas etc., de acuerdo con estas instrucciones y de la manera prevista para el tipo particular de herramienta eléctrica, teniendo en cuenta las condiciones de trabajo y el trabajo a ser realizado.** El uso de la herramienta eléctrica para otras operaciones distintas de lo previsto podría dar lugar a una situación peligrosa.

5) UTILIZACIÓN Y MANTENIMIENTO DE LA BATERÍA

- a) Recargar solamente con el cargador indicado por el fabricante.** Un cargador adaptado a un tipo de batería podría crear un riesgo de incendio si se utiliza con una diferente batería.
- b) Utilizar las herramientas eléctricas solamente con baterías especialmente adaptadas.** La utilización de cualquier otra batería podría causar un riesgo de incendio o herida.
- c) Cuando la batería no está en uso, tenerla lejos de los objetos metálicos como los trombones, las piezas de moneda, las llaves, los clavos, los tornillos, o cualquier otro pequeño objeto metálico susceptibles de establecer una conexión de un terminal a otra.** El cortocircuito de un

terminal a otra puede causar quemaduras o un incendio.

- d) Hay una fuga de líquido de la batería. Evitar todo contacto. Si entre accidentalmente en contacto con este líquido, lavar con agua limpia. En caso de contacto con los ojos, consultar a un médico.** El líquido presente en las baterías puede causar irritaciones o quemaduras.

6) REPARACIÓN

- a) Permitir que el mantenimiento de su herramienta eléctrica sea efectuado por una persona calificada usando solamente piezas de recambio idénticas.** Esto es primordial para mantener la seguridad de la herramienta eléctrica.

NOTAS IMPORTANTES DE SEGURIDAD ADICIONAL PARA SU PODADORA DE SETOS

- 1. Conserve todas las partes del cuerpo alejadas de la cuchilla de corte. No retire el material cortado ni sostenga el material a cortar con las cuchillas en movimiento. Asegúrese de apagar la herramienta antes de extraer material atascado.** Un momento de desatención durante el uso de la recortadora podría resultar en una lesión personal seria.
- 2. Transporte la recortadora por el mango con la cuchilla de corte detenida. Mientras transporta o conserva la recortadora, mantenga instalada siempre la cubierta del dispositivo.** Un manejo adecuado de la recortadora permitirá reducir las posibles lesiones personales relacionadas con las cuchillas de corte.
- 3. Sostenga la herramienta por las empuñaduras aislantes cuando realice una operación donde la herramienta de corte puede entrar en contacto con cableado oculto.** El contacto con un cable

con corriente también hará que las partes expuestas del metal de la herramienta puedan transmitirle una descarga eléctrica.

- 4. Compruebe si hay objetos extraños en el seto, como p.ej. vallas metálicas.**
- 5. Utilice ambas manos para manejar el cortasetos.** Si solo utiliza una mano, podría perder el control de la herramienta y resultar herido de gravedad.






ADVERTENCIAS DE SEGURIDAD PARA LA BATERÍA

- a) No desmonte, abra o destruya las pilas o las baterías recargables.**
- b) No provoque un cortocircuito en la batería. No almacene las baterías de forma descuidada en una caja o cajón donde podría provocar un cortocircuito entre ellas o mediante otros objetos metálicos.** Cuando la batería no esté siendo utilizada, manténgala alejada de objetos metálicos, como clips de papel, monedas, llaves, clavos, tornillos u otros objetos metálicos pequeños, que pueden posibilitar la conexión de un borne con otro. Al provocar un cortocircuito con los bornes de la batería se pueden sufrir quemaduras o generar un incendio.
- c) No exponga las baterías al calor o al fuego. No las guarde expuestas directamente al sol.**
- d) No exponga las baterías a impactos mecánicos.**
- e) En caso de que la batería tenga fugas de líquido, no permita que el líquido entre en contacto con la piel o los ojos. Si se produce el contacto, lave la zona afectada con grandes cantidades de agua y acuda a un médico.**
- f) Acuda a un médico inmediatamente si se ha ingerido una pila o una batería.**
- g) Mantenga las baterías limpias y secas.**
- h) Limpie los bornes de la batería con un paño limpio si se ensucian.**
- i) Cargue la batería antes de utilizarla. Consulte siempre estas instrucciones**

y aplique el procedimiento de carga adecuado.

- j) **No deje la batería cargándose durante prolongados períodos de tiempo cuando no se utilice.**
- k) **Después de prolongados períodos de almacenamiento, puede que sea necesario cargar y descargar la batería varias veces para obtener el máximo rendimiento.**
- l) **Las baterías recargables proporcionan mejor rendimiento cuando se utilizan a temperatura ambiente normal (20°C ± 5°C).**
- m) **Al eliminar las baterías, mantenga las baterías de distinto sistema electroquímico separadas unas de otras.**
- n) **Recargue solo con el cargador indicado por WORX. No utilice ningún otro cargador que no sea el específicamente proporcionado para el uso con este equipo.** El cargador adecuado para un tipo de baterías puede provocar un incendio si se utiliza con otro tipo de baterías.
- o) **No utilice ninguna batería distinta a la diseñada para utilizarse con el aparato.**
- p) **Mantenga la batería fuera del alcance de los niños.**
- q) **Conserve la documentación original del producto por si tuviera que consultarla en otro momento.**
- r) **Extraiga la batería del aparato cuando no lo utilice.**
- s) **Deshágase del producto correctamente.**

SÍMBOLOS

	Advertencia
	Para reducir el riesgo de lesión, lea el manual de instrucciones
	Utilice protección auditiva
	Utilizar protección ocular
	Utilizar una máscara antipolvo
	Mantenga las manos alejadas
	Quite la batería antes de llevar a cabo cualquier ajuste o tarea de reparación o mantenimiento.
 Li-Ion	No tirar las baterías. Las baterías agotadas deben llevarse al punto local de recogida o reciclaje de residuos.
	Evite cualquier exposición a la lluvia
	No exponer a la lluvia o al agua
	No incinerar



Los residuos de equipamientos eléctricos y electrónicos no deben depositarse con las basuras domésticas. Se recogen para reciclarse en centros especializados. Consulte las autoridades locales o su revendedor para obtener informaciones sobre la organización de la recogida.

xINR18/65-y: Celdas de batería de ion-litio cilíndricas con un diámetro y altura máximos de 18 y 65 mm, respectivamente; la "x" representa un número de celdas conectadas en serie (en blanco si es 1); "-y" representa un número de celdas conectadas en paralelo (en blanco si es 1).

1. BATERÍA

2. EMPUÑADURA TRASERA

3. EMPUÑADURA DELANTERA

4. PROTECCIÓN

5. INTERRUPTOR DELANTERA (CIRCULAR)

6. INTERRUPTOR

7. BLOQUEO DE LA BATERÍA


8. CUCHILLA

9. FUNDA PROTECTORA DE CUCHILLA*

* Los accesorios ilustrados o descritos pueden no corresponder al material suministrado de serie con el aparato.

DATOS TÉCNICOS

Modelo **WG259E WG259E.5 WG259E.9 WG260E WG260E.9 (230-269 - denominaciones de maquinaria, representantes de Cortasetos a batería)**

	WG259E	WG259E.5	WG259E.9	WG260E	WG260E.9
Tensión	220-240V~50/60Hz				
Potencia	20V  Max** Lithium				
Velocidad sin carga nominal	2200/min				
Máx. longitud de corte	52cm			61cm	
Máx. diámetro de corte	14mm			19mm	
Tiempo de carga	5hr approx.	1hr approx.	/	5hr approx.	/
Peso de la máquina	2.5kg	2.5kg	2.1kg	2.5kg	2.1kg

**Voltaje medido sin carga. El voltaje inicial máximo de la batería es de 20 voltios. El voltaje nominal es de 18 voltios.

RUIDO Y DATOS DE VIBRACIÓN

Nivel de presión acústica de ponderación A	77dB(A)
Nivel de potencia acústica de ponderación A	90dB(A)
K_{pA}	3.0dB(A)
	80dB(A)

Úsele protección auditiva cuando la presión acústica sea mayor a



INFORMACIÓN SOBRE LAS VIBRACIONES

Los valores totales de vibración se determinan según la norma EN 60745:

Nivel de vibración $a_p=2.2\text{m/s}^2$

Incertidumbre $K = 1.5\text{m/s}^2$

El valor total de vibración declarado se puede utilizar para comparar una herramienta con otra y también en una evaluación preliminar de exposición.

ADVERTENCIA: El valor de emisión de vibraciones durante el uso de la herramienta podría diferir del valor declarado dependiendo de la forma en que se use la herramienta según los ejemplos siguientes, y otras variaciones sobre el uso de la herramienta:
Si la herramienta se encuentra en buenas condiciones de mantenimiento.
Si se utiliza el accesorio correcto para la herramienta y se garantiza que está afilado y en buenas condiciones.
Si se agarran las asas firmemente y se utilizan accesorios antivibración.
Y si la herramienta se utiliza según su diseño y estas instrucciones.

Esta herramienta podría causar síndrome de vibración del brazo y la mano si no se utiliza correctamente.


ADVERTENCIA: Para conseguir una mayor precisión, debe tenerse en cuenta una estimación del nivel de exposición en condiciones reales de todas las partes del ciclo de uso, como los tiempos durante los que la herramienta está apagado o cuando esta en funcionamiento pero no está realizando ningún trabajo. Ello podría reducir notablemente el nivel de exposición sobre el periodo de carga total.
Esto podría reducir notablemente el nivel de exposición durante el periodo completo de trabajo.
Cómo minimizar el riesgo de exposición a la vibración.
Ayuda a minimizar el riesgo de exposición a la vibración.
Mantenga esta herramienta de acuerdo con estas instrucciones y bien lubricada (si es necesario).
Si la herramienta se utiliza regularmente, invierta en accesorios antivibración.
Evite el uso de herramientas a temperaturas de 10°C o menos.

ACCESORIOS

	WG259E	WG259E.5	WG259E.9	WG260E	WG260E.9
Funda protectora de cuchilla	1	1	1	1	1
Protección	1	1	1	1	1
Cargador	1 (WA3760)	1 (WA3860)	/	1 (WA3760)	/
Batería	1 (WA3551.1)	1 (WA3551.1)	/	1 (WA3551)	/

Recomendamos que adquiera todos sus accesorios en el mismo comercio donde compró la herramienta. Consulte los estuches de los accesorios para más detalles. El personal del comercio también puede ayudar y aconsejar.

INSTRUCCIONES DE FUNCIONAMIENTO

 **NOTA:** Antes de usar la herramienta lea el manual de instrucciones detenidamente.


UTILIZACIÓN REGLAMENTARIA

El aparato ha sido diseñado para realizar trabajos de corte y de poda en setos y arbustos en jardines domésticos.

 **¡ADVERTENCIA! ANTES DE PONER EN MARCHA SU APARATO, SIEMPRE INSTALAR EL PROTECTOR Y LA EMPUÑADURA DELANTERA.**

MONTAJE Y FUNCIONAMIENTO

ACCIÓN	FIGURA
MONTAJE	
Montaje de la tapa de protección	Ver Fig. A
Montaje de la empuñadura frontal NOTA: Los tornillos de la empuñadura deben mirar hacia la protección de seguridad. Si la empuñadura frontal se monta hacia atrás, no se podrá encender la herramienta.	Ver Fig. B1, B2, B3
Extraer o instalar el pack de batería	Ver Fig. C
Carga de su batería La batería está DESCARGADA y debe cargarse antes de utilizarla. Encontrará más información en el manual del cargador WA3760 (para WG259E WG260E) o WA3860 (para WG259E.5)	
FUNCIONAMIENTO	
Puesta en marcha y parada	Ver Fig. D1, D2

Altos cortes  ADVERTENCIA: Si falta alguna pieza, o están dañadas o rotas, no utilice el cortasetos hasta que se hayan reparado o reemplazado todas las piezas defectuosas. Si no se respeta esta instrucción, alguien podría resultar herido de gravedad. ANTES DE PONER EN MARCHA SU APARATO, SIEMPRE INSTALAR EL PROTECTOR Y LA EMPUÑADURA DELANTERA.	Ver Fig. E1
Cortes verticales	Ver Fig. E2
Lubricar la cuchilla	Ver Fig. F

TRABAJAR CON EL CORTASETOS PARA CORTES HORIZONTALES O VERTICALES

Recuerde que la palanca puede activarse desde tres lados, dándole más posibilidades de conseguir una sujeción confortable.

Antes de cortar una zona, inspecciónela y retire cualquier objeto extraño que pudiera salir disparado o atascarse en las cuchillas. Sostenga siempre el cortasetos con ambas manos y con la cuchilla lo más alejada posible durante el arranque.

Para cortar ramas nuevas, mueva el cortasetos realizando barridos para que las ramas entren directamente en la cuchilla (Consulte las Figs. E1 y E2)

Deje que la cuchilla alcance su máxima velocidad antes de cortar. Durante el uso, mantenga las cuchillas alejadas de la gente y los objetos como paredes, piedras grandes, árboles, vehículos, etc.

Si la cuchilla se atasca, detenga inmediatamente el cortasetos. Libere las dos palancas (5 y 6) antes de intentar extraer cualquier resto de la cuchilla.

Utilice guantes para podar ramas espinosas o con púas.

No intente cortar ramas demasiado gruesas

para la cuchilla.

ALTOS CORTES

Haga un movimiento de gran amplitud en los 2 sentidos con su cortasetos (Véase E1). Una ligera inclinación de las cuchillas de arriba abajo que acompaña el movimiento dará una excelente calidad de corte.

CORTES VERTICALES



Para realizar cortes verticales, comience por la parte inferior del seto, corte subiendo (Véase E2) y efectuando un corte cónico de la parte baja hacia arriba. Esta forma permite una mejor exposición del seto y un crecimiento más uniforme.

MANTENIMIENTO

Quite la batería antes de llevar a cabo cualquier ajuste o tarea de reparación o mantenimiento.

No posee piezas en su interior que deban ser reparadas por el usuario. Nunca emplee agua o productos químicos para limpiar su herramienta. Use simplemente un paño seco. Guarde siempre su herramienta en un lugar seco. Mantenga limpias las ranuras de ventilación del motor. Mantenga todos los controles de funcionamiento libres de polvo.

PROTECTION AMBIENTAL

 Los residuos de equipamientos eléctricos y electrónicos no deben depositarse con  las basuras domésticas. Se recogen para reciclarse en centros especializados. Consulte las autoridades locales o su revendedor para obtener informaciones sobre la organización de la recogida.

DECLARACIÓN DE CONFORMIDAD

Los que reciben,
POSITEC Germany GmbH
Konrad-Adenauer-Ufer 37
50668 Köln

Declaran que el producto
Descripción

Cortasetos inalámbrico WORX

Modelo **WG259E WG259E.5**

WG259E.9 WG260E WG260E.9

(230-269-denominaciones de maquinaria, representantes de Cortasetos a batería)

Función **Cortar setos y maleza**

Cumple con las siguientes directivas,
2006/42/EC, 2014/30/EU, 2011/65/EU, 2000/14/EC modificada por 2005/88/EC

2000/14/EC modificada por 2005/88/EC

- Procedimiento de evaluación de la

conformidad de acuerdo con **Annex V**

- Nivel de presión acústica **87.1dB(A)**

- Nivel de intensidad acústica **90dB(A)**

Normativas conformes a,

EN 60745-1

EN 60745-2-15

EN ISO 3744

EN 55014-1

EN 55014-2

La persona autorizada para componer el
archivo técnico,

Firma Russell Nicholson

**Dirección Positec Power Tools (Europe)
Ltd, PO Box 6242, Newbury, RG14 9LT,
UK**



Suzhou 2017/06/22

Allen Ding

Ingeniero Jefe Adjunto. Pruebas y Certificación

VEILIGHEIDSWAARSCHUWINGEN

ALGEMENE VEILIGHEIDSWAARSCHUWINGEN VOOR VERMOGENSMACHINE



WAARSCHUWING! Lees alle instructies zorgvuldig door. Indien u zich niet aan alle onderstaande instructies houdt, kan dat leiden tot een elektrische schok, brand en/of ernstig letsel.

Bewaar alle waarschuwingen en instructies voor latere naslag.

De term “(elektrisch) gereedschap” in de waarschuwingen hieronder, verwijst naar uw op netspanning werkende gereedschap (met stroomdraad) of uw accugereedschap (draadloos).

1) WERKGEBIED

- a) Houd uw werkgebied schoon en zorg ervoor dat deze goed verlicht is.** In rommelige en slecht verlichte werkgebieden gebeuren sneller ongelukken.
- b) Gebruik elektrisch gereedschap niet in explosieve atmosferen, zoals in de nabijheid van ontvlambare vloeistoffen, gassen of stof.** Elektrisch gereedschap veroorzaakt vonken die de stof of de gassen kunnen doen ontvlammen.
- c) Houd kinderen en omstanders uit de buurt terwijl u met elektrisch gereedschap werkt.** Aflleidingen kunnen ervoor zorgen dat u de controle over het gereedschap verliest.

2) ELEKTRISCHE VEILIGHEID

- a) De stekker van het elektrisch gereedschap moet passen in het stopcontact. Pas de stekker op geen enkele manier aan om te zorgen dat hij wel past. Gebruik geen adapterstekkers terwijl u geaard elektrisch gereedschap gebruikt.** Onaangepaste stekkers die in het stopcontact passen, verminderen de kans op een elektrische schok.

- b) Vermijd lichamelijk contact met geaarde of gegronde oppervlakken, zoals buizen, radiatoren, fornuizen en koelkasten.** Als uw lichaam geaard of geground is, is er een grotere kans op een elektrische schok.
- c) Stel uw elektrische gereedschap niet bloot aan regen of natte omstandigheden.** Water dat elektrisch gereedschap kan binnendringen, vergroot de kans op een elektrische schok.
- d) Gebruik de stroomdraad niet op een andere manier dan waarvoor deze gemaakt is. Trek niet aan de stroomdraad, ook niet om de stekker uit het stopcontact te krijgen en draag het gereedschap niet door het aan de stroomdraad vast te houden. Houd de stroomdraad uit de buurt van hitte, olie, scherpe hoeken en bewegende onderdelen.** Beschadigde of verwarde stroomdraden vergroten de kans op een elektrische schok.
- e) Wanneer u het elektrische gereedschap buitenshuis gebruikt, dient u te zorgen voor een verlengsnoer dat geschikt is voor gebruik buitenshuis.** Het gebruik van een verlengsnoer dat geschikt is voor gebruik buitenshuis, vermindert de kans op een elektrische schok.
- f) Moet een krachtmachine in een vochtige locatie worden gebruikt, gebruik dan een aardlekschakelaar (ALS).** Een ALS vermindert het gevaar op elektrische schokken.

3) PERSOONLIJKE VEILIGHEID

- a) Blijf alert, kijk waar u mee bezig bent en gebruik uw gezonde verstand wanneer u met elektrisch gereedschap werkt. Gebruik geen elektrisch gereedschap wanneer u moe bent of onder de invloed van drugs, alcohol of medicijnen.** Een moment van onoplettendheid bij het gebruik van elektrisch gereedschap kan leiden tot ernstig persoonlijk letsel.
- b) Gebruik een veiligheidsuitrusting. Draag altijd oogbescherming.** Een veiligheidsuitrusting, zoals een stofmasker,

schoenen met antislipzolen, een veiligheidshelm, of oorbescherming die onder de juiste omstandigheden gebruikt wordt, vermindert de kans op persoonlijk letsel.

c) Pas op dat het apparaat niet onbedoeld wordt gestart. Zorg ervoor dat de schakelaar uit staat voordat u de voeding en/of batterij aansluit, en als u de machine oppakt en draagt.

Gereedschap dragen terwijl u uw vinger op de schakelaar houdt, of de stekker in het stopcontact steken terwijl het gereedschap ingeschakeld staat, is vragen om ongelukken.

d) Verwijder inbussleutels of moersleutels voordat u het gereedschap inschakelt. Een sleutel die nog in of op een draaiend onderdeel van het elektrische gereedschap zit, kan leiden tot ernstig persoonlijk letsel.

e) Werk niet boven uw macht. Zorg er altijd voor dat u stevig staat en goed in balans bent. Hierdoor heft u betere controle over het gereedschap in onverwachte situaties.

f) Draag geschikte kleding. Draag geen loszittende kleding of sieraden. Houd uw haar, kleding en handschoenen uit de buurt van bewegende onderdelen. Loszittende kleding, sieraden of lang haar kan vast komen te zitten in bewegende onderdelen.

g) Wanneer er apparaten worden bijgeleverd voor stofafzuiging en -opvang, zorg er dan voor dat deze aangesloten zijn en op de juiste manier gebruikt worden. Het gebruik van deze apparaten vermindert de gevaren die door stof kunnen ontstaan.

4) GEBRUIK EN ONDERHOUD VAN ELEKTRISCH GEREEDSCHAP

a) Forceer het gereedschap niet. Gebruik gereedschap dat voor de toepassing geschikt is. Het gebruik van geschikt gereedschap levert beter werk af en werkt veiliger als het gebruikt wordt op de snelheid waar het voor ontworpen is.

b) Gebruik het gereedschap niet wanneer de aan/uitschakelaar niet functioneert.

Gereedschap dat niet kan worden bediend met behulp van de schakelaar is gevaarlijk en dient te worden gerepareerd.

c) Neem de stekker uit het stopcontact en/of verwijder de batterij voordat u instellingen veranderd, toebehoren vervangt of de machine opbergt.

Deze preventieve veiligheidsmaatregelen verminderen de kans op het ongewild inschakelen van het gereedschap.

d) Berg gereedschap dat niet gebruikt wordt buiten het bereik van kinderen op en laat personen die niet bekend zijn met het gereedschap of met deze veiligheidsinstructies het gereedschap niet bedienen. Elektrisch gereedschap kan in de handen van ongetrainde gebruikers gevaarlijk zijn.

e) Onderhoud elektrisch gereedschap op de juiste wijze. Controleer of bewegende onderdelen nog goed uitgelijnd staan, of ze niet ergens vastzitten en controleer op elke andere omstandigheid die ervoor kan zorgen dat het gereedschap niet goed functioneert. Wanneer het gereedschap beschadigd is, dient u het te repareren voordat u het in gebruik neemt. Veel ongelukken worden veroorzaakt door slecht onderhouden elektrisch gereedschap.

f) Houd snijdend gereedschap schoon en scherp. Goed onderhouden snijdend gereedschap met scherpe zaagbladen/messen zal minder snel vastlopen en is makkelijker te bedienen.

g) Gebruik het gereedschap, de accessoire, de bitjes, enz. in overeenstemming met deze instructies en op de manier zoals bedoeld voor het specifieke type elektrisch gereedschap, rekening houdend met de werkomstandigheden en het uit te voeren werk. Het gereedschap gebruiken voor andere doeleinden dan waar deze voor ontworpen is, kan gevaarlijke situaties opleveren.

5) GEBRUIK EN ONDERHOUD VAN ACCUGEREEDSCHAP

a) Laad het accupack alleen op met de

door de fabrikant aangegeven oplader.

Een oplader die geschikt is voor het ene type accupack, kan brand veroorzaken wanneer die gebruikt wordt voor een ander type accupack.

- b) Gebruik het gereedschap uitsluitend met het aangegeven accupack.** Door het gebruik van andere accupacks ontstaat de kans op letsel of brand.
- c) Wanneer het accupack niet gebruikt wordt, dient u het uit de buurt te houden van metalen voorwerpen, zoals paperclips, munten, sleutels, spijkers, schroeven of andere kleine metalen voorwerpen die een verbinding kunnen maken tussen de contactpunten van de terminal.** Het kortsluiten van de accuterminals kan zorgen voor brandwonden of brand.
- d) Onder extreme omstandigheden kan er vloeistof uit de accu lopen; raak deze vloeistof niet aan. Wanneer u toch onverhoopt met de vloeistof in aanraking komt, dient u dit onmiddellijk af te spoelen met water. Wanneer de vloeistof in de ogen komt, dient u zo snel mogelijk een arts te raadplegen.** Vloeistof die afkomstig is uit de accu kan irritatie of brandwonden veroorzaken.

6) SERVICE

- a) Laat uw elektrisch gereedschap repareren door een bevoegde reparateur die alleen originele reserveonderdelen gebruikt.** Zo bent u er zeker van dat uw gereedschap veilig blijft.

BELANGRIJKE EXTRA VEILIGHEIDSRICHTLIJNEN VOOR UW DRAADLOZE HEGGENSCHAAR

- 1. Houd alle lichaamsdelen uit de buurt van het snijblad. Verwijder het materiaal niet en houd het niet vast terwijl het snijblad in beweging is. Zorg ervoor dat de schakelaar uit staat als u vastgelopen materiaal verwijdert.** Een ogenblik van

onoplettendheid bij het gebruik van de heggenschaar kan ernstig persoonlijk letsel tot gevolg hebben.

- 2. Draag de heggenschaar aan het handvat met een stilstaand snijblad. Vervoert u de heggenschaar of slaat u hem op, gebruik dan altijd de beschermkap van het snijblad.** Door de heggenschaar met zorg te behandelen vermindert u de kans op letsel door het snijblad.
- 3. Houd het gereedschap vast bij de geïsoleerde handvatten als u een actie onderneemt waarbij het priemende gereedschap in contact kan komen met verborgen kabels.** Contact met een kabel waar spanning op staat zet tevens spanning op metalen onderdelen van het apparaat en geeft de gebruiker een schok.
- 4. Controleer of er geen vreemde voorwerpen in de haag zitten, bijvoorbeeld afsluiting.**
- 5. Gebruik beide handen wanneer u de haagschaar gebruikt.** Als u maar een hand gebruikt, dank aan dit leiden dat u geen controle meer hebt en tot ernstige verwondingen.

VEILIGHEIDSINSTRUCTIES VOOR HET ACCUPACK

- a) Batterijcellen en accupacks mogen niet gedemonteerd, geopend of vernietigd worden.**
- b) Sluit accupacks niet kort. Bewaar accupacks niet willekeurig in een doos of lade waar ze elkaar kunnen kortsluiten of door geleidende voorwerpen kortgesloten kunnen worden.** Houd het accupack op een afstand van andere metalen voorwerpen als paperclips, muntstukken, sleutels, nagels, schroeven en andere kleine metalen voorwerpen die de contacten van de accupack kunnen verbinden. Kortgesloten contacten van accupacks kunnen brandwonden of brand veroorzaken.
- c) Stel accupacks niet bloot aan warmte of vuur. Vermijd opslag in direct zonlicht.**

- d) **Stel accupacks niet bloot aan mechanische schokken.**
- e) **Als een accu lekt dient men voorzichtig te zijn dat de vloeistof niet in contact komt met de huid of de ogen. Als dat toch gebeurt spoelt men de huid onder stromend water en raadpleegt men een arts.**
- f) **Raadpleeg meteen een arts wanneer een batterij of accupack is ingeslikt .**
- g) **Houd batterijcellen en accupacks schoon en droog.**
- h) **Veeg de aansluitingen van het accupack schoon met een droge doek als ze vuil zijn geworden.**
- i) **Accupacks moeten voor gebruik worden opgeladen. Lees de gebruiksaanwijzing voor de juiste laadinstructies.**
- j) **Laat accupacks niet langdurig opladen als ze niet worden gebruikt.**
- k) **Na een lange opslagperiode kan het nodig zijn het accupack enkele keren op te laden en te ontladen voor een optimale prestatie.**
- l) **Accupacks presteren het best bij normale kamertemperatuur (20°C±5°C).**
- m) **Wanneer u accupacks wegwerpt, dient u accupacks van verschillende elektrochemische systemen van elkaar afgezonderd te houden.**
- n) **Laad alleen op met een lader met de technische gegevens van WORX. Gebruik geen andere lader dan de lader die specifiek voor dat doel met de apparatuur is meegeleverd.** Een lader voor één type accupack geschikt is kan een brandgevaar inhouden wanneer gebruikt met een ander type.
- o) **Gebruikt geen accupack dat niet bedoeld is voor gebruik met deze apparatuur.**
- p) **Houd accupacks buiten het bereik van kinderen.**
- q) **Bewaar de oorspronkelijke instructies van het product voor latere gebruik.**
- r) **Verwijder het batterijpakket uit de apparatuur als het niet in gebruik is.**
- s) **Volg de juiste procedure voor afvalverwijdering na afdanken van dit apparaat.**

SYMBOLEN

	Waarschuwing!
	Om het risico op letsels te beperken, moet u de gebruiker-shandleiding lezen
	Draag oorbescherming
	Draag oogbescherming
	Draag stofmasker
	Zorg dat uw handen niet geklemd raken
	Verwijder de batterij voordat u instellingen, reparaties of onderhoud uitvoert.
 Li-Ion 	Batterijen niet weggoien. Breng lege accu's naar een recyclecentrum of inzamelpunt voor chemisch afval bij u in de buurt
	Niet blootstellen aan regen
	Niet blootstellen aan regen of water
	Steek niet brand



Afgedankte elektrische producten kunt u niet met het normale huisafval weggoien. Breng deze producten, indien mogelijk, naar een recyclecentrum bij u in de buurt. Vraag de verkoper of de gemeente naar informatie en advies over het recyclen van elektrische producten.

xINR18/65-y: Cilindrische lithiumionbatterijcellen met maximale diameter van 18mm en maximale hoogte van 65mm; "x" staat voor een aantal cellen dat in serie is aangesloten, blanco indien 1; "-y" staat voor een aantal cellen dat parallel is aangesloten, leeg indien 1.

1. ACCUPACK

2. HANDVAT ACHTER

3. HANDVAT VOOR

4. BESCHERMKAP

5. DRUKSCHAKELAAR VOOR (VOLLEDIGE SCHAKELAARFUNCTIE)

6. SCHAKELAAR

7. VERLENGKNOP


8. SNIJBLAD

9. BESCHERMKOKER*

* Sommige afgebeelde of beschreven toebehoren worden niet meegeleverd.

TECHNISCHE GEGEVENS

Type **WG259E WG259E.5 WG259E.9 WG260E WG260E.9** (230-269-aanduiding van machinerie, kenmerkend van Draadloze Heggenschaar)

	WG259E	WG259E.5	WG259E.9	WG260E	WG260E.9
Spanning	220-240V~50/60Hz				
Macht	20V  Max** Lithium				
Snelheid onbelast	2200/min				
Max. snijlengte	52cm			61cm	
Max. snijdiameter	14mm			19mm	
Oplaadtijd	5hr approx.	1hr approx.	/	5hr approx.	/
Mesbeweging	2.5kg	2.5kg	2.1kg	2.5kg	2.1kg

**Spanning gemeten zonder belasting. Beginspanning batterij bereikt maximum 20 volt. Nominale spanning is 18 volt.

GELUIDSPRODUCTIE

A-gewogen geluidsdruk	77dB(A)
A-gewogen geluidsvermogen	90dB(A)
K _{pA}	3.0dB(A)
	80dB(A)

Draag gehoorbescherming wanneer de geluidsdruk hoger is dan




TRILLINGSGEGEVENS

Totale trillingswaarden (triax vector-som) volgens EN 60745:

Gewogen trillingswaarde $a_{1v}=2.2\text{m/s}^2$

Fout $K = 1.5\text{m/s}^2$

De opgegeven totale trillingswaarde kan worden gebruikt om een gereedschap met een ander te vergelijken en kan ook dienen als een voorlopige beoordeling van de blootstelling.

 **WAARSCHUWING:** De mate van trilling tijdens gebruik van deze vermogensmachine kan verschillen van de nominale waarde, afhankelijk van de wijze waarop de machine wordt gebruikt, zoals in de volgende voorbeelden:


De conditie en de onderhoudstoestand van de machine.

Gebruik van de juiste toebehoren. Zorg ervoor dat ze scherp zijn en in goede conditie.

De wijze waarop de handvatten worden vastgehouden en het gebruik van toebehoren die trillingen verminderen.

De machine moet gebruik worden zoals door de ontwerper bedoeld is en in overeenstemming met deze instructies.

Deze machine kan een trillingssyndroom in hand en arm veroorzaken als hij niet op de juiste wijze gehanteerd wordt

 **WAARSCHUWING:** Voor de nauwkeurigheid moet bij een schatting van het blootstellingsniveau in de feitelijke gebruiksomstandigheden rekening worden gehouden met alle delen van de bewerking, zoals het moment dat de machine wordt uitgeschakeld en de tijden waarop de machine loopt zonder daadwerkelijk gebruikt te worden. Dit kan het blootstellingsniveau over de totale werkperiode aanzienlijk verminderen.

De blootstelling aan trillingen verminderen.

Onderhoud de machine volgens deze instructies en houd hem goed gesmeerd (voor zover van toepassing)

Wordt de machine geregeld gebruikt, schaf dan toebehoren tegen trillingen aan.

Vermijd het gebruik bij temperaturen van 10°C of minder

Plan de werkzaamheden zodat de taken met veel trillingen over een aantal dagen verspreid worden.

ACCESSOIRES

	WG259E	WG259E.5	WG259E.9	WG260E	WG260E.9
Beschermkoker	1	1	1	1	1
Beschermkap	1	1	1	1	1
Oplader	1 (WA3760)	1 (WA3860)	/	1 (WA3760)	/
Accupack	1 (WA3551.1)	1 (WA3551.1)	/	1 (WA3551)	/

Wij adviseren u alle accessoires te kopen in de winkel waar u het gereedschap heeft gekocht.

Kijk op de verpakking van het accessoire voor meer informatie. Ook het winkelpersoneel kan u helpen en adviseren.

BEDIENINGSINSTRUCTIES

 **OPMERKING:** Lees het instructieboekje aandachtig voor gebruik van het gereedschap.

INTENDED USE

The machine is intended for cutting and trimming hedges and bushes in domestic use.

 **WAARSCHUWING: GEBRUIK HET GEREEDSCHAP NIET ZONDER DAT DE BESCHERMKAP GEMONTEERD IS EN HANDVAT VOOR.**

ASSEMBLAGE EN BEDIENING

ACTIE	FIGUUR
ASSEMBLAGE	
MONTAGE VAN DE BESCHERMKAP	Zie Fig. A
MONTAGE HANDGREEP VOORAAN OPMERKING: De handgreepschroeven moeten naar de beschermkap wijzen. Als de voorste handgreep achterstevoren is gemonteerd, kan het gereedschap niet ingeschakeld worden.	Zie Fig. B1, B2, B3
HET ACCUPACK VERWIJDEREN OF PLAATSEN	Zie Fig. C
HET ACCUPACK OPLADEN Het accupack is NIET opgeladen. Deze moet u dus voor gebruik opladen. U vindt meer gedetailleerde informatie in de handleiding voor het laadapparaat: WA3760 (voor WG259E WG260E) or WA3860 (voor WG259E.5)	
BEDIENING	
IN- EN UITSCHAKELLEN	Zie Fig. D1, D2

DE BOVENKANT SNOEIEN  WAARSCHUWING: Als er onderdelen ontbreken, beschadigd of defect zijn, gebruik uw heggenschaar dan niet, voordat alle beschadigde onderdelen vervangen of gerepareerd zijn. Als hieraan niet voldaan wordt, kan ernstig lichamelijk letsel het gevolg zijn. GEBRUIK HET GEREEDSCHAP NIET ZONDER DAT DE BESCHERMKAP GEMONTEERD IS EN HANDVAT VOOR	Zie Fig. E1
DE ZIJKANT SNOEIEN	Zie Fig. E2
DE MESSEN SMEREN	Zie Fig. F

DE HEGGENSCHAAR GEBRUIKEN

De schakelhefboom kan aan drie zijden worden geactiveerd zodat u talrijke opties hebt voor een comfortabele greep. Voordat u een gebied snoeit, moet u het eerst inspecteren en vreemde objecten verwijderen die in de snijbladen kunnen vallen of verstrikken. Houd de heggenschaar altijd met beide handen vast en met het snijblad van u weg gericht voordat u het gereedschap inschakelt. Wanneer u nieuwe bladeren snoeit, dient u een brede zwaaiende beweging te gebruiken, zodat de stammen direct in het mes terechtkomen. (Zie E1& E2) Wacht tot de snijbladen hun volle snelheid hebben bereikt voordat u het snoeien start. Houd de snijbladen tijdens het gebruik weg van mensen en objecten zoals muren, grote stenen, bomen, voertuigen, enz. Als de messen blijven hangen, dient u de heggenschaar onmiddellijk te stoppen. Haal de stekker uit het stopcontact (5&6) en verwijder het blokkerende materiaal van het mes en repareer of vervang deze waar nodig. Draag handschoenen wanneer u planten met doorns snoeit. Probeer geen stammen te snoeien die te dik zijn om tussen de messen te passen.

DE BOVENKANT SNOEIEN

Snoei met een zwaaiende beweging (Zie E1). Het geeft het beste resultaat als u de messen iets naar beneden houdt in de richting van de beweging.

DE ZIJKANT SNOEIEN


Bij het snoeien van de zijkant van een heg, begint u onderaan en werkt u naar boven toe (Zie E2), terwijl u ervoor zorgt dat de heg een beetje spits toeloopt naarmate u hoger komt. Hierdoor wordt er meer van de heg zichtbaar en zal de begroeiing beter verdeeld zijn.

ONDERHOUD

Verwijder de batterij voordat u instellingen, reparaties of onderhoud uitvoert.

Dit gereedschap bevat geen onderdelen waaraan de gebruiker onderhoud kan of moet uitvoeren. Gebruik nooit water of chemische reinigingsmiddelen voor het schoonmaken van uw elektrische gereedschap. Veeg het schoon met een droge doek. Bewaar uw elektrische gereedschap altijd op een droge plek. Houd de ventilatiegaten van de motor schoon. Houd alle bedieningselementen vrij van stof.

BESCHERMING VAN HET MILIEU

 Afgedankte elektrische producten kunt u niet met het normale huisafval weggooien. Breng deze producten, indien mogelijk, naar een recyclecentrum bij u in de buurt. Vraag de verkoper of de gemeente naar informatie en advies over het recyclen van elektrische producten.

CONFORMITEITVERKLARING

Wij,
POSITEC Germany GmbH
Konrad-Adenauer-Ufer 37
50668 Köln

Verklaren dat het product
Beschrijving: **WORX Draadloze Heggenschaar**
Type: **WG259E WG259E.5**
WG259E.9 WG260E WG260E.9
(230-269-aanduiding van machinerie, kenmerkend van Draadloze Heggenschaar)
Functie **Snoeien van heggen en struiken**

Overeenkomt met de volgende richtlijnen,
2006/42/EC, 2014/30/EU, 2011/65/EU, 2000/14/EC gewijzigd door 2005/88/EC

2000/14/EC gewijzigd door 2005/88/EC
- Procedure beoordeling conformiteit volgens **Annex V**
- Niveau gemeten geluidsvermogen: **87.1dB(A)**
- Opgegeven, gegarandeerde niveau geluidsvermogen **90dB(A)**

De betrokken aangemelde instantie:
EN 60745-1 **EN 60745-2-15**
EN ISO 3744 **EN 55014-1**
EN 55014-2

De persoon die bevoegd is om het technische bestand te compileren,
Naam Russell Nicholson
Adres Positec Power Tools (Europe)Ltd,
PO Box 6242, Newbury, RG14 9LT, UK



Suzhou 2017/06/22
Allen Ding
Plaatsvervangend Chief Ingenieur, Testen en Certificering

BEZPIECZEŃSTWO PRODUKTU

OGÓLNE OSTRZEŻENIA DOTYCZĄCE BEZPIECZEŃSTWA PODCZAS PRACY Z ELEKTRONARZĘDZIAMI



UWAGA: Należy przeczytać wszystkie przepisy. Błędy w przestrzeganiu następujących przepisów mogą spowodować porażenie prądem, pożar i/lub ciężkie obrażenia ciała.

Należy dobrze przechowywać te przepisy.

Użyte w dalszej części pojęcie „elektronarzędzie” odnosi się do elektronarzędzi napędzanych prądem (z kablem zasilającym) i do elektronarzędzi napędzanych akumulatorami (bez kabla zasilającego).

1) MIEJSCE PRACY

- a) **Miejsce pracy należy utrzymywać w czystości i dobrze oświetlone.** Nieporządek i nie oświetlane zakresy pracy mogą doprowadzić do wypadków.
- b) **Nie należy pracować tym narzędziem w otoczeniu zagrożonym wybuchem, w którym znajdują się np. łatwopalne ciecze, gazy lub pyły.** Elektronarzędzia wywołują iskry, które mogą podpalić ten pył lub parę.
- c) **Elektronarzędzie trzymać podczas pracy z daleka od dzieci i innych osób.** Przy odwróceniu uwagi można stracić kontrolę nad narzędziem.

2) BEZPIECZEŃSTWO ELEKTRYCZNE

- a) **Wtyczka urządzenia musi pasować do gniazda. Nie wolno zmieniać wtyczki w jakikolwiek sposób. Nie należy używać wtyczek adapterowych razem z uziemionymi narzędziami.** Niezmienione wtyczki i pasujące gniazda zmniejszają ryzyko porażenia prądem.
- b) **Należy unikać kontaktu z uziemionymi powierzchniami jak**

rury, grzejniki, piece i lodówki. Istnieje zwiększone ryzyko porażenia prądem, gdy Państwa ciało jest uziemione.

- c) **Urządzenie natęży trzymać zabezpieczone przed deszczem i wilgocią.** Wniknięcie wody do elektronarzędzia podwyższa ryzyko porażenia prądem.
 - d) **Nigdy nie należy używać kabla do innych czynności. Nigdy nie używać kabla do noszenia urządzenia za kabel, zawieszenia lub do wyciągania wtyczki z gniazda. Kabel należy trzymać z daleka od wysokich temperatur, oleju; ostrych krawędzi lub ruchomych części urządzenia.** Uszkodzone lub poplątane kable zwiększają ryzyko porażenia prądem.
 - e) **W przypadku, że elektronarzędziem pracuje się na świeżym powietrzu należy używać kabla przedłużającego, który dopuszczony jest do używania na zewnątrz.** Użycie dopuszczonego do używania na zewnątrz kabla przedłużającego zmniejsza ryzyko porażenia prądem.
 - f) **Jeśli nie można uniknąć posługiwania się elektronarzędziem w miejscu o dużej wilgotności należy użyć zabezpieczonego zasilacza domowego (RCD).** Stosowanie RCD zmniejsza ryzyko porażenia prądem elektrycznym.
- ### 3) BEZPIECZEŃSTWO OSÓB
- a) **Należy być uważnym, zważać na to co się robi i pracę elektronarzędziem rozpoczynać z rozsądkiem. Nie należy używać urządzenia gdy jest się zmęczonym lub pod wpływem narkotyków, alkoholu lub leków.** Moment nieuwagi przy użyciu urządzenia może doprowadzić do poważnych obrażeń ciała.
 - b) **Należy nosić osobiste wyposażenie ochronne i zawsze okulary ochronne.** Noszenie osobistego wyposażenia ochronnego jak maska przeciwpyłowa, nie ślizgające się buty robocze, hełm ochronny lub ochrona słuchu, w zależności od rodzaju i użycia elektronarzędzia zmniejsza ryzyko obrażeń ciała.

- c) **Należy zapobiec przypadkowemu uruchomieniu. Przed podłączeniem do sieci zasilającej i/lub zestawu baterii, podniesieniem urządzenia i przenoszeniem urządzenia należy sprawdzić, czy przełącznik znajduje się w pozycji wyłączenia.** W przypadku, że przy noszeniu urządzenia trzyma się palec na włączniku/wyłączniku lub włączone urządzenie podłączone zostanie do prądu, to może to doprowadzić do wypadków.
- d) **Zanim urządzenie zostanie włączone należy usunąć narzędzia nastawcze lub klucze.** Narzędzie lub klucz, które znajdują się w ruchomych częściach urządzenia mogą doprowadzić do obrażeń ciała.
- e) **Nie należy przeceniać swoich możliwości. Należy dbać o bezpieczną pozycję pracy i zawsze utrzymywać równowagę.** Przez to możliwa jest lepsza kontrola urządzenia w nieprzewidywanych sytuacjach.
- f) **Należy nosić odpowiednie ubranie. Nie należy nosić luźnego ubrania lub biżuterii.** Włosy, ubranie i rękawice należy trzymać z daleka od ruchomych części. Luźne ubranie, biżuteria lub długie włosy mogą zostać ujęte przez poruszające się części.
- g) **W przypadku, że możliwe jest zamontowanie urządzeń odsysających lub podchwytyjących należy upewnić się, czy są one właściwie podłączone i prawidłowo użyte.** Użycie tych urządzeń zmniejsza zagrożenie spowodowane pyłami.
- 4) STARANNE OBCOWANIE ORAZ UŻYCIĘ ELEKTRONARZĘDZI**
- a) **Nie należy przeciążać urządzenia. Do pracy używać należy elektronarzędzia, które jest do tego przewidziane.** Odpowiednim narzędziem pracuje się lepiej i bezpieczniej w podanym zakresie sprawności.
- b) **Nie należy używać elektronarzędzia, którego włącznik/wyłącznik jest uszkodzony.** Elektronarzędzie, którego nie można włączyć lub wyłączyć jest niebezpieczne i musi zostać naprawione.
- c) **Należy odłączyć wtykę od źródła zasilania i/lub zestawu baterii, przed wykonaniem jakichkolwiek regulacji, zmiany akcesoriów lub podczas przechowywania elektronarzędzi.** Ten środek ostrożności zapobiega niezamierzonemu włączeniu się urządzenia.
- d) **Nie używane elektronarzędzia należy przechowywać poza zasięgiem dzieci. Nie należy dać narzędzia do użytku osobom, które jego nie znają lub nie przeczytały tych przepisów.** Używane przez niedoświadczonych osoby elektronarzędzia są niebezpieczne.
- e) **Urządzenie należy pieczołowicie pielęgnować. Należy kontrolować, czy ruchome części urządzenia funkcjonują bez zarzutu i nie są zablokowane, czy części nie są pęknięte lub uszkodzone, co mogłoby mieć wpływ na prawidłowe funkcjonowanie urządzenia.** Uszkodzone części należy przed użyciem urządzenia oddać do naprawy. Wiele wypadków spowodowanych jest przez niewłaściwą konserwację elektronarzędzi.
- f) **Narzędzia tnące należy utrzymywać ostre i czyste.** Starannie pielęgnowane narzędzia tnące z ostrymi krawędziami tnącymi zablokują się rzadziej i łatwiej się je prowadzi.
- g) **Elektronarzędzia, osprzęt, narzędzia itd. należy używać odpowiednio do tych przepisów i tak, jak jest to przewidziane dla tego specjalnego typu urządzenia.** Uwzględnić należy przy tym warunki pracy i czynność do wykonania. Użycie elektronarzędzi do innych niż przewidziane prace może doprowadzić do niebezpiecznych sytuacji.
- 5) STARANNE UŻYTKOWANIE ELEKTRONARZĘDZI NAPĘDZANYCH AKUMULATORAMI**
- a) **Akumulatory należy ładować tylko w ładowarkach, które poleci producent.** Dla ładowarki, która nadaje się do ładowania określonych akumulatorów istnieje niebezpieczeństwo pożaru, gdy użyte zostaną inne akumulatory.
- b) **Do elektronarzędzi należy używać jedynie przewidzianych do tego akumulatorów.** Użycie innych akumulatorów może doprowadzić do obrażeń

ciała i niebezpieczeństwa pożaru.

- c) **Nie używany akumulator należy trzymać z daleka od spinaczy, monet, kluczy, gwoździ, śrub lub innych małych przedmiotów metalowych, które mogłyby spowodować zmostkowanie kontaktów.** Zwarcie pomiędzy kontaktami akumulatora może spowodować oparzenia lub pożar.
 - d) **Przy niewłaściwym użyciu możliwe jest wydostanie się cieczy z akumulatora. Należy unikać kontaktu z nią. Przy przypadkowym kontakcie spłukać wodą. W przypadku, że ciecz dostała się do oczu należy dodatkowo skonsultować się z lekarzem.** Ciecz akumulatorowa może doprowadzić do podrażnienia skóry lub oparzeń,
- 6) **SERWIS**
- a) **Naprawę urządzenia należy zlecić jedynie kwalifikowanemu fachowcowi i przy użyciu oryginalnych części zamiennych.** To gwarantuje, że bezpieczeństwo urządzenia zostanie zachowane.

OSTRZEŻENIA PRZY UŻYTKOWANIU NOŻYC DO ŻYWOPLOTU:

- 1. **Nie zbliżać żadnej części ciała do ostrzy. Gdy ostrza są ruchu nie należy usuwać obciążonych kawałków krzaków ani też ich przytrzymywać.** Upewnij się, że urządzenie jest wyłączone, przed przystąpieniem do odblokowywania. Chwila nieuwagi podczas używania nożyc do żywopłotu może spowodować poważne obrażenia.
- 2. **Przenosić nożyce trzymając za uchwyt, i z zatrzymanymi ostrzami. Zawsze zakładać pokrowiec do transportu lub przechowywania.** Właściwe obchodzenie się z nożycami do żywopłotu zredukuje ryzyko pokaleczeniem się ostrzami.

- 3. **Jeśli narzędzie tnące może mieć kontakt z ukrytym okablowaniem, podczas działania narzędzie należy trzymać za izolowane powierzchnie.** Kontakt z 'aktywnym' okablowaniem może także spowodować obnażenie metalowych elementów i porażenie operatora prądem elektrycznym.
- 4. **Sprawdzić żywopłot pod kątem obcych przedmiotów, np. drucianych siatek.**
- 5. **Nożyce do żywopłotów należy obsługiwać dwiema rękami.** Używanie tylko jednej ręki może spowodować utratę kontroli nad narzędziem i doprowadzić do poważnych obrażeń.

INSTRUKCJA BEZPIECZEŃSTWA DOTYCZĄCA MODUŁU AKUMULATORA

- a) **Nie demontuj, nie otwieraj lub nie niszczyć ogniw pomocniczych lub modułu akumulatora.**
- b) **Nie zwieraj ogniwa lub modułu akumulatora. Nie przechowuj ogniw lub modułu akumulatora w sposób bezładny w pudle lub szufladzie, gdzie mogą się wzajemnie zewrzeć lub ulec zwarcia przez inne metalowe przedmioty.** Nie używany akumulator należy trzymać z daleka od spinaczy, monet, kluczy, gwoździ, śrub lub innych małych przedmiotów metalowych, które mogłyby spowodować zmostkowanie kontaktów. Zwarcie pomiędzy kontaktami akumulatora może spowodować oparzenia lub pożar.
- c) **Nie narażaj ogniw lub modułu akumulatora na działanie ciepła lub ognia. Unikaj składowania w miejscach pod bezpośrednim działaniem światła słonecznego.**
- d) **Nie narażaj ogniw lub modułu akumulatora na uderzenia mechaniczne.**
- e) **W razie wycieku z ogniwa, nie dopuść, aby płyn zetknął się ze skórą lub dostał się do oczu. Jeśli już nastąpił kontakt z płynem,**

przemij skażoną powierzchnię dużą ilością wody i zwróć się o pomoc medyczną.

- f) **Nie używaj ogniwa lub modułu akumulatora nie przeznaczonego do pracy z danym urządzeniem.**
- g) **Utrzymuj ogniwa i moduł akumulatora w czystości i w stanie suchym.**
- h) **Jeśli zaciski ogniwa lub akumulatora zostały zanieczyszczone, oczyść je czystą i suchą szmatką.**
- i) **Ogniwa pomocnicze i moduł akumulatora należy przed użyciem naładować. Zawsze używaj właściwej ładowarki i przestrzegaj instrukcji ładowania zawartej w instrukcji obsługi dostarczonej przez producenta urządzenia.**
- j) **Nie pozostawiaj modułu akumulatora na długie ładowanie, jeśli go nie używasz.**
- k) **Po dłuższym okresie składowania może być niezbędne kilkukrotne naładowanie i rozładowanie ogniw lub modułu akumulatora, aby uzyskać optymalną wydajność.**
- l) **Ogniwa pomocnicze oraz moduł akumulatora osiągają największą wydajność podczas pracy w normalnej temperaturze pokojowej ($20^{\circ}\text{C} \pm 5^{\circ}\text{C}$).**
- m) **Podczas utylizacji akumulatorów należy oddzielić od siebie akumulatory o różnych systemach elektromechanicznych.**
- n) **Akumulatory należy ładować tylko w ładowarkach, które poleci producent.** Dla ładowarki, która nadaje się do ładowania określonych akumulatorów istnieje niebezpieczeństwo pożaru, gdy użyte zostaną inne akumulatory.
- o) **Używaj ogniwa lub modułu akumulatora nie przeznaczonego do pracy z danym urządzeniem.**
- p) **Trzymaj ogniwa i moduł akumulatora poza zasięgiem dzieci.**
- q) **Zachowaj oryginalne instrukcje produktu do wglądu.**
- r) **Kiedy to możliwe, wyjmuj moduł akumulatora, jeśli urządzenia się nie używa.**
- s) **Zużyte ogniwa i akumulatory utylizuj zgodnie z zasadami gospodarki odpadami.**

SYMBOLE

	Ostrzeżenie
	Aby zmniejszyć niebezpieczeństwo odniesienia obrażeń, użytkownik powinien przeczytać podręcznik z instrukcjami
	Używać ochrony słuchu
	Używać ochrony wzroku
	Używać maski przeciwpyłowej
	Ręce należy trzymać z dala od noża
	Przed przystąpieniem do jakiegokolwiek regulacji, serwisowania lub konserwacji należy odłączyć akumulator od przycinarki żywopłotów
 Li-Ion 	Nie wyrzucać akumulatorów, Oddawać zużyte baterie do odpowiednich punktów zbierania lub recyklingu.
	Nie wystawiać na działanie deszczu
	Nie wystawiać na działanie deszczu lub wody
	Nie wrzucać do ognia



Odpady wyrobów elektrycznych nie powinny być wyrzucane razem z odpadami gospodarstwa domowego. Należy korzystać z recyklingu, jeśli istnieje odpowiednia infrastruktura. Porady dotyczące recyklingu można uzyskać u władz lokalnych lub sprzedawcy detalicznego.

xINR18/65-y: Cylindryczne litowo-jonowe ogniwa akumulatorowe o maks. średnicy 18 mm i maks.

wysokości 65 mm; „x” oznacza liczbę ogniw połączonych szeregowo, puste gdy 1; „-y” oznacza liczbę ogniw połączonych równolegle, puste gdy 1.

1. POJEMNIK BATERYJNY

2. UCHWYT TYLNY

3. UCHWYT PRZEDNI

4. OSŁONA OCHRONNA

5. RZEDNIA DŹWIGNIA PRZEŁĄCZNIKA (PRZEŁĄCZNIK GŁÓWNY)

6. DŹWIGNIA PRZEŁĄCZNIKA

7. ZATRZASK POJEMNIKA BATERYJNEGO


8. OSTRZE

9. OSŁONA OSTRZA *

* Nie wszystkie pokazane na ilustracji akcesoria są dostarczane standardowo.

DANE TECHNICZNE

Typ **WG259E WG259E.5 WG259E.9 WG260E WG260E.9** (230-269- oznaczenie urządzenia, reprezentuje Bezprzewodowa przycinarka do żywopłotów)

	WG259E	WG259E.5	WG259E.9	WG260E	WG260E.9
64 Napięcie	220-240V~50/60Hz				
Zasilania	20V  Max** Lithium				
Prędkość robocza bez obciążenia	2200/min				
Maks. Długość cięcia	52cm			61cm	
Maks. średnica cięcia	14mm			19mm	
Czas ładowania	5hr approx.	1hr approx.	/	5hr approx.	/
Waga urządzenia	2.5kg	2.5kg	2.1kg	2.5kg	2.1kg

**Napięcie mierzone bez obciążenia. Początkowe napięcie akumulatora osiąga wartość maksymalną 20V. Napięcie nominalne wynosi 18V.

DANE DOTYCZĄCE HAŁASU I WIBRACJI

Ważone ciśnienie akustyczne	77dB(A)
Ważona moc akustyczna	90dB(A)
K_{pA}	3.0dB(A)
Gdy ciśnienie akustyczne przekracza	80dB(A)



Bezprzewodowa przycinarka do żywopłotów PL

INFORMACJE DOTYCZĄCE DRGAŃ

Łączna wartość drgań (suma wektora triax) określona według normy EN 60745:

Standardowy poziom drgań $a_h=2.2\text{m/s}^2$

Niepewność $K = 1.5\text{m/s}^2$

Zadeklarowana całkowita wartość wibracji może być wykorzystana do porównania jednego narzędzia z innym oraz może być użyta we wstępnej ocenie narażenia.

! OSTRZEŻENIE: Wartość emisji wibracji w czasie rzeczywistego używania elektronarzędzia może się różnić od zadeklarowanej, w zależności od sposobu używania narzędzia w następujących przykładach i innych sposobach używania narzędzia:

Jak używane jest narzędzie oraz, czy materiał jest cięty czy wiercony.

Czy narzędzie jest w dobrym stanie i czy jest prawidłowo konserwowane.

Czy używane są prawidłowe akcesoria narzędzia i czy narzędzie jest właściwie naostrzone oraz w dobrym stanie.

Czy dokręcone są szczęki na uchwycie i czy używane są jakiegokolwiek akcesoria antywibracyjne.

Oraz, czy narzędzie jest używane zgodnie z przeznaczeniem i według instrukcji.

Nieprawidłowe prowadzenie tego narzędzia może spowodować syndrom wibracji rąk

! OSTRZEŻENIE: W szczególności, oszacowanie poziomu ekspozycji w rzeczywistych warunkach używania powinno brać także pod uwagę wszystkie elementy cyklu działania, takie jak czasy wyłączenia narzędzia i czas beczynności, ale nie rzeczywście wykonywaną pracę. Może to znacznie zmniejszyć poziom ekspozycji w całym okresie pracy.

Pomoc w minimalizacji narażenia na wibracje.

Narzędzie należy konserwować z godnie z instrukcjami i prawidłowo smarować (w odpowiednich miejscach)

Jeśli narzędzie jest używane regularnie należy zakupić akcesoria antywibracyjne.

Należy unikać używania narzędzi w temperaturach 10°C lub niższych

Należy zaplanować harmonogram pracy w celu rozłożenia używania narzędzi wytwarzających wysoki poziom drgań na kilka dni.

AKCESORIA

	WG259E	WG259E.5	WG259E.9	WG260E	WG260E.9
Ostona ostrza	1	1	1	1	1
Ostona ochronna	1	1	1	1	1
Ładowarki	1 (WA3760)	1 (WA3860)	/	1 (WA3760)	/
Pojemnik bateryjny	1 (WA3551.1)	1 (WA3551.1)	/	1 (WA3551)	/

Zaleca się zakup wszystkich akcesoriów w sklepie, gdzie zakupiono narzędzie. Więcej szczegółów można znaleźć w dodatkowym opakowaniu. Personel sklepu może również udzielić pomocy i porad.

INSTRUKCJE OBSŁUGI



UWAGA: Przed użyciem narzędzia przeczytać uważnie instrukcję obsługi.

UŻYTKOWANIE ZGODNIE Z PRZEZNACZENIEM

Urządzenie przeznaczone jest do cięcia i przycinania żywopłotów i zkrzewów w z ogrodach przydomowych i działkowych.



OSTRZEŻENIE! NIE WOLNO UŻYWAĆ NOŻYC BEZ ZAMONTOWANEJ OSŁONY OCHRONNEJ I UCHWYTU PRZEDNIEGO.

MONTAŻ I OBSŁUGA

DZIAŁANIE	RY-SUNEK
MONTAŻ	
MONTAŻ OSŁONY OCHRONNEJ	Patrz Rys. A
MONTAŻ UCHWYTU PRZEDNIEGO UWAGA: Uchwyt śruby muszą spełniać wymogi bezpieczeństwa. Jeśli przedni uchwyt jest w tylnej pozycji, urządzenie nie włączy się.	Patrz Rys. B1, B2, B3
DEMONTAŻ I MONTAŻ AKUMULATORA	Patrz Rys. C
ŁADOWANIE AKUMULATORÓW Akumulatorki są NIENAŁADOWANE i należy je naładować przed użyciem. Więcej szczegółów znajduje się w instrukcji obsługi ładowarki WA3760 (para WG259E WG260E) lub WA3860 (para WG259E.5)	
DZIAŁANIE	
ROZRUCH I ZATRZYMYWANIE	Patrz Rys. D1, D2

PRZYCINANIE GÓRNYCH GAŁĘZI



OSTRZEŻENIE: Zabrania się używania urządzenia, jeżeli brakuje części urządzenia, urządzenie jest uszkodzone lub zepsute. Nie używać nożyc do cięcia roślin, jeżeli wszystkie uszkodzone części nie zostały wymienione lub naprawione. Niespełnienie tego warunku może spowodować poważne uszkodzenia ciała. **NIE WOLNO UŻYWAĆ NOŻYC BEZ ZAMONTOWANEJ OSŁONY OCHRONNEJ I UCHWYTU PRZEDNIEGO.**

Patrz Rys. E1

PRZYCINANIE BOKÓW

Patrz Rys. E2

SMAROWANIE OSTRZA

Patrz Rys. F

UŻYTKOWANIE NOŻYC

Przednią dźwignię można aktywować z trzech stron, co daje więcej możliwości wygodniejszego chwycenia. Przed przystąpieniem do przycinania należy sprawdzić obszar i usunąć wszelkie obce przedmioty, które mogłyby zostać zaplątane w ostrza. Przed włączeniem nożyc należy zawsze ująć oburącz, z ostrzem skierowanym od siebie. Podczas cięcia młodych roślin należy przykładać nożyce szerokim, zamasztyłym ruchem, aby gałęzie natrafiały bezpośrednio na ostrze. (patrz rys. E1&E2)

Przed rozpoczęciem cięcia należy poczekać, aż ostrza rozpędzą się do maksymalnej prędkości roboczej.

Podczas pracy należy zawsze oddalać się od osób postronnych i twardych przedmiotów, takich jak ściany, duże kamienie, drzewa, pojazdy, itp.

Jeżeli ostrze zakleszczy się, należy natychmiast zatrzymać nożyce. Następnie należy odłączyć ją od sieci zasilającej i oczyścić ostrze z zakleszczonych pozostałości materiału ciętego. Podczas cięcia kolczastych lub ciernistych roślin należy nosić rękawice ochronne.

Nożyce należy prowadzić tak, aby gałęzie trafiały bezpośrednio na krawędź tnącą.

Nie wolno próbować ciąć zbyt grubych gałęzi.

PRZYCINANIE GÓRNYCH GAŁĘZI

Nożyce należy prowadzić szerokim, zamasytym ruchem (patrz rys. E1). Lekkie pochylenie ostrza w dół zgodnie z kierunkiem cięcia daje najlepsze wyniki.

PRZYCINANIE BOKÓW

Podczas przycinania boków żywoptotu należy zacząć cięcie od dołu i posuwać się w górę (patrz rys. E2), zwiężając żywoptot ku górze. Taki kształt odłoni więcej gałęzi i zapewni bardziej równomierny wzrost żywoptotu.


KONSERWACJA

Przed przystąpieniem do jakiegokolwiek regulacji, serwisowania lub konserwacji należy odłączyć akumulator od przycinarki żywoptotów.

Narzędzie to nie wymaga żadnego dodatkowego smarowania czy konserwacji.

W narzędziu nie ma żadnych części, które wymagałyby serwisowania przez użytkownika. Nigdy nie należy używać wody czy środków czyszczących do czyszczenia narzędzia z napędem elektrycznym. Czyścić suchą szmatką. Zawsze należy przechowywać narzędzie w suchym miejscu. Utrzymywać w czystości otwory wentylacyjne silnika. Utrzymywać wszystkie urządzenia sterujące w czystości. W otworach wentylacyjnych mogą pojawiać się iskry, jest to normalne i nie spowoduje uszkodzenia narzędzia.

OCHRONA ŚRODOWISKA

 Odpady wyrobów elektrycznych nie powinny być wyrzucane razem z odpadami gospodarstwa domowego. Należy korzystać z recyklingu, jeśli istnieje odpowiednia infrastruktura. Porady dotyczące recyklingu można uzyskać u władz lokalnych lub sprzedawcy detalicznego.

DEKLARACJA ZGODNOŚCI

My,
POSITEC Germany GmbH
Konrad-Adenauer-Ufer 37
50668 Köln

Deklarujemy, że produkt,
Opis **Bezprzewodowa przycinarka do żywoptotów WORX**
Typ **WG259E WG259E.5 WG259E.9 WG260E WG260E.9 (230-269-oznaczenie urządzenia, reprezentuje Bezprzewodowa przycinarka do żywoptotów)**
Funkcja **Przycinanie żywoptotów i krzaków**

Jest zgodny z następującymi dyrektywami,
2006/42/EC, 2014/30/EU, 2011/65/EU, 2000/14/EC zmieniona dyrektywą 2005/88/EC

2000/14/EC zmieniona dyrektywą 2005/88/EC
- Procedura oceny zgodności zgodna z **Aneks V Dyrektywy**
- Moc dźwięku **87.1dB(A)**
- Deklarowana gwarantowana moc dźwięku **90dB(A)**

Normy są zgodne z:

EN 60745-1 **EN 60745-2-15**
EN ISO 3744 **EN 55014-1**
EN 55014-2

Osoba upoważniona do kompilacji pliku technicznego,

Nazwa Russell Nicholson
Adres Positec Power Tools (Europe)Ltd,
PO Box 6242, Newbury, RG14 9LT, UK



Suzhou 2017/06/22

Allen Ding
Zastępca głównego inżyniera, testowanie i certyfikacja

BIZTONSÁGI ÓVINTÉZ- KEDÉSEK

ELEKTROMOS KÉZISZERSZÁMOK BIZTONSÁGOS HASZNÁLATÁVAL KAPCSOLATOS ÁLTALÁNOS FIGYELMEZTETÉSEK



FIGYELEM Olvasson el minden biztonsági figyelmeztetést és valamennyi utasítást.

A figyelmeztetések és utasítások figyelmen kívül hatása áramütést, tüzet és/vagy súlyos sérülést eredményezhet.

Őrizzen meg minden figyelmeztetést és utasítást, a jövőben szüksége lehet ezekre.

A figyelmeztetésekben használatos "elektromos kéziszerszám" kifejezés az ön hálózatról üzemeltetett (vezetékes) elektromos kéziszerszámára vagy akkumulátoros (vezeték nélküli) elektromos kéziszerszámára vonatkozik.

1) A MUNKATERÜLET BIZTONSÁGA

- a) **A munkaterületet tartsa tisztán és jól megvilágítva.** A zsúfolt vagy sötét munkaterület balesetveszélyhez vezethet.
- b) **Ne üzemeltessen elektromos kéziszerszámot robbanékony légkörben, például gyúlékony folyadékok, gázok vagy por jelenléte mellett.** Az elektromos kéziszerszámok használata során szikrák keletkeznek, amelyek hatására a por vagy gáz gyulladhat.
- c) **Elektromos kéziszerszámok működtetése közben tartsa távol a gyermekeket és bámészkodókat.** A figyelem elterelése kontrollvesztést eredményezhet.

2) ELEKTROMOS BIZTONSÁG

- a) **Az elektromos kéziszerszámok dugójának illeszkednie kell a dugaljba. Soha, semmilyen módon**

ne módosítsa a dugót. Földelt elektromos kéziszerszámokkal ne használjon adaptert. Ha nem módosított dugókat és megfelelő dugaljat használ, azzal csökkenti az áramütés kockázatát.

- b) **Ne érintse meg a földelt felületeket, például csöveket, radiátorokat, tűzhelyeket vagy hűtőszekrényeket.** Ha a test földelt, nagyobb az áramütés kockázata.
- c) **Ne tegye ki esőnek vagy nedves körülményeknek az elektromos kéziszerszámokat.** Ha egy elektromos kéziszerszámba víz kerül, megnő az áramütés kockázata.
- d) **Vigyázzon a szerszám kábelére. Soha ne hordozza, húzogassa vagy húzza ki az áramból az elektromos kéziszerszámot a kábelnél fogva. A kábelt tartsa távol a hőtől, olajtól, éles peremektől vagy mozgó részekről.** A sérült vagy összegubancolódott kábel növeli az áramütés kockázatát.
- e) **Ha az elektromos kéziszerszámot szabadtérben üzemelteti, használjon külső használatra alkalmas hosszabbítót.** A külső használatra alkalmas kábel használatával csökken az áramütés kockázata.
- f) **Ha elkerülhetetlen, hogy az elektromos kéziszerszámot nedves helyen működtesse, használjon maradékáram-működtetésű megszakító (RCD) védelemmel rendelkező áramforrást.** A maradékáram-működtetésű megszakító használata csökkenti az áramütés kockázatát.
- ### 3) SZEMÉLYI BIZTONSÁG
- a) **Az elektromos kéziszerszám működtetése közben maradjon éber, figyeljen arra, amit csinál, és használja a józan esztét. Ne működtesse az elektromos kéziszerszámot, ha fáradt, illetve gyógyszerek, alkohol vagy drogok hatása alatt áll.** Egy pillanatnyi figyelmetlenség az elektromos kéziszerszámok működtetése közben súlyos

sérülésekhez vezethet.

- b) Használjon személyi védőfelszereléseket. Mindig használjon szemvédelmet.** A személyi védőfelszerelés, például pormaszok, csúszásmentes biztonsági lábbeli, védősisak vagy szükség esetén hallásvédelem használatával csökkenthető a személyi sérülések kockázata.
- c) Kerülje el, hogy a szerszám véletlenül működésbe lépjen. Mielőtt az elektromos kéziszerszámot áramhoz csatlakoztatná, behelyezné az akkumulátort, felvenné vagy vinné a szerszámot ellenőrizze, hogy a kapcsoló "ki" helyzetbe legyen állítva.** Ha a szerszám hordozásakor ujját a kapcsolón tartja, vagy áram alá helyezi a bekapcsolt készüléket, az balesetekhez vezethet.
- d) Mielőtt az elektromos kéziszerszámot bekapcsolná, távolítsa el róla minden állítókulcsot.** Ha az elektromos kéziszerszám forgórészein állítókulcs marad, az személyi sérüléshez vezethet.
- e) Ne próbáljon túl messzire nyúlni. Mindig vigyázzon, hogy stabilan álljon, és őrizze meg egyensúlyát.** Ez segít, hogy váratlan helyzetekben uralja az elektromos kéziszerszámot.
- f) Viseljen megfelelő öltözetet. Ne viseljen bő ruházatot vagy hosszú ékszert. Haját, ruházatát és kesztyűjét tartsa a mozgó alkatrészekről távol.** A bő ruházatot, hosszú ékszert vagy hosszú haját bekapathatják a mozgó elemek.
- g) Ha a szerszámhoz porszívó vagy gyűjtő csatlakoztatható, vigyázzon, hogy ezeket csatlakoztassa és megfelelően használja.** A porgyűjtő használatával csökkenthetőek a porral kapcsolatos kockázatok.
- 4) AZ ELEKTROMOS KÉZISZERSZÁM HASZNÁLATA ÉS KARBANTARTÁSA**
- a) Ne erőltesse az elektromos kéziszerszámot. Mindig megfelelő elektromos kéziszerszámot használjon.** Ha a megfelelő elektromos

kéziszerszámot használja, azzal a rendeltetési területén jobban és biztonságosabban elvégezhető a munka.

- b) Ne használja az elektromos kéziszerszámot, ha azt nem lehet kikapcsolni.** Ha egy elektromos kéziszerszám nem szabályozható a kapcsolóval, az veszélyes, és javításra szorul.
- c) Mielőtt a szerszámot beállítaná, tartozékot cserélné, illetve tároláskor húzza ki a dugót az áramforrásból, és/vagy vegye ki az akkumulátort az elektromos kéziszerszámából.** Ezekkel a megelőző biztonsági intézkedésekkel csökken annak a kockázata, hogy a kéziszerszám véletlenül bekapcsoljon.
- d) Az elektromos kéziszerszámokat használaton kívül tartsa a gyermekektől távol, és ne hagyja, hogy a szerszámot vagy ezeket az utasításokat nem ismerő személyek működtessék azt.** A tapasztalatlan felhasználók kezében az elektromos kéziszerszámok veszélyessé válnak.
- e) Tartsa karban az elektromos kéziszerszámokat. Ellenőrizze, hogy a mozgó elemek megfelelően helyezkednek-e el és nem szorultak-e be, az alkatrészek épek, és semmilyen más hiba nincs kihatással az elektromos kéziszerszám működésére.** Ha sérülést talál, használat előtt javíttassa meg a szerszámot. A nem megfelelően karbantartott elektromos kéziszerszámok sok balesetet okoznak.
- f) A vágószerszámokat tartsa tisztán, és figyeljen, hogy élesek maradjanak.** A megfelelően karbantartott, éles vágószerszámok ritkábban akadnak meg, és egyszerűbben irányíthatóak.
- g) Az elektromos kéziszerszámot, a kiegészítőket és fejeket használja a fenti utasításoknak megfelelően, figyelembe véve a munkakörülményeket és az elvégzendő munkát.** Ha az elektromos kéziszerszámot nem rendeltetésszerűen használja, az veszélyhelyzetet teremthet.

- 5) **AZ AKKUMULÁTOROS KÉZISZERSZÁM HASZNÁLATA ÉS KARBANTARTÁSA**
- a) **Csak a gyártó által javasolt töltővel töltsd fel.** Ha egy adott akkumulátorhoz megfelelő töltőt másik akkumulátorral használnál, az tűzveszélyes lehet.
- b) **Az elektromos kéziszerszámokat csak a kijelölt akkumulátorokkal használja.** Ha más akkumulátorokat használnál, az sérülés- és tűzveszélyes.
- c) **Az akkumulátorokat használaton kívül tartsa a fémtárgyaktól, például gemkapcsoktól, pénzérméktől, kulcsoktól, szögektől, csavaroktól vagy más kis fémtárgyaktól távol, mert ezek összekapcsolhatják a pólusokat.** Az akkumulátor pólusainak rövidzárlata égés- és tűzveszélyes.
- d) **Nem megfelelő körülmények között az akkumulátorból folyadék szivároghat; kerüldje az érintkezést ezzel a folyadékkal. Véletlen érintkezés esetén mossa le vízzel.** Ha a folyadék szembe kerül, mossa ki vízzel, és forduljon orvoshoz. Az akkumulátorból szivárgó folyadék irritációt vagy égési sérülést okozhat.

6) SZERVIZ

- a) **Az elektromos kéziszerszámot csak képzett szerelő javíthatja megfelelő cserealkatrészekkel.** Ez biztosítja az elektromos kéziszerszám biztonságos működését.

A SÖVÉNYVÁGÓVAL KAPCSOLATOS BIZTONSÁGI UTASÍTÁSOK

1. **Vigyázzon, hogy minden testrészét távol tartsa a késtől. Ha a kés mozgásban van, ne próbálja meg kivenni a levágott anyagot, és ne tartsa meg a vágandó anyagot. Ha a beszorult anyagot akarja kitisztítani, ellenőrizze, hogy a kapcsoló "ki" állásban legyen.** Egy

pillanatnyi figyelmetlenség a sövényvágó működtetése közben súlyos sérülésekhez vezethet.


2. **Hordozáskor a sövényvágót a markolatnál fogja, és várja meg, hogy a kés mozgása leálljon. A sövényvágó szállításához vagy tárolásához mindig tegye fel a vágóél-védőt.** A sövényvágó megfelelő kezelésével csökken a vágóél okozta személyi sérülések esélye.
3. **Ha fennáll a veszély, hogy a vágótartozék rejtett vezetőkeket érint, az elektromos kéziszerszámot tartsa szigetelt tapadófelület mellett.** Ha a vágótartozék feszültség alatt álló vezetőket érint, az elektromos kéziszerszám külső fémalkatrészei feszültség alá kerülhetnek, aminek hatására a szerszám működtetője áramütést szenvedhet.
4. **Ellenőrizze, hogy nem akadnak-e be idegen tárgyak, például drótkerítés.**
5. **Amikor a sövényvágót használja, fogja azt mindkét kezével.** Ha egy kézzel fogja, elveszítheti fölötte az irányítást, ami súlyos sérüléshez vezethet.

AZ AKKUMULÁTORRAL KAPCSOLATOS BIZTONSÁGI FIGYELMEZTETÉSEK

- a) **Az akkumulátort ne szedje szét, ne nyissa fel és ne vágja meg.**
- b) **Ne zárja rövidre az akkumulátort. Az akkumulátorokat ne tárolja olyan dobozban vagy fiókban, ahol rövidre zárhatják egymást, vagy valamilyen vezető anyag a rövidzárlatukat okozhatja.** Az akkumulátorokat használaton kívül tartsa a fémtárgyaktól, például gemkapcsoktól, pénzérméktől, kulcsoktól, szögektől, csavaroktól vagy más kis fémtárgyaktól távol, mert ezek összekapcsolhatják a pólusokat. Az akkumulátor pólusainak rövidzárlata égés- és tűzveszélyes.
- c) **Ne tegye ki hőnek vagy tűznek az akkumulátort. Ne tárolja közvetlen**

SZIMBÓLUMOK

- napfényben.
- d) Az akkumulátort ne tegye ki utesnek.
- e) Ha az akkumulátor szivárogo, vigyázzon, hogy a folyadék ne kerüljön a bőrre vagy szembe. Amennyiben a bőrre vagy szembe kerül, az érintett területet mossa le bő vízzel, és forduljon orvoshoz.
- f) Az akkumulátor vagy egy cella lenyelése esetén azonnal forduljon orvoshoz.
- g) Vigyázzon, hogy az akkumulátor tiszta és száraz maradjon.
- h) Ha az akkumulátor pólusaira szennyeződés kerül, azt egy tiszta, száraz ruhával törölje le.
- i) Az akkumulátort használat előtt fel kell tölteni. A töltést mindig az utasításoknak megfelelően, helyes eljárást használva végezze.
- j) Használaton kívül ne hagyja töltőn az akkumulátort.
- k) Hosszan tartó tárolást követően a maximális teljesítmény elérése érdekében szükséges lehet, hogy az akkumulátort többször feltöltse és lemerítse.
- l) Az akkumulátor szobahőmérsékleten ($20^{\circ}\text{C} \pm 5^{\circ}\text{C}$) használva nyújtja a legjobb teljesítményt.
- m) Az akkumulátorok ártalmatlanításakor a különböző elektrokémiai rendszereket különítse el egymástól.
- n) Csak a WORX által javasolt töltővel töltsse fel. Kizárólag a készülékhez való használatra mellékelt töltőt használja. Ha egy adott akkumulátorhoz megfelelő töltőt másik akkumulátorral használ, az tűzveszélyes lehet.
- o) Ne használjon a készülékkel való használatra tervezettől eltérő akkumulátort.
- p) Az akkumulátor gyermekektől távol tartandó.
- q) Őrizze meg a termékhez mellékelt utasításokat, a későbbiekben szüksége lehet ezekre.
- r) Amikor a szerszámot nem használja, vegye ki belőle az akkumulátort.
- s) Ártalmatlanításnál megfelelően járjon el.

	Figyelmeztetés
	A sérülésveszély csökkentése érdekében a felhasználónak el kell olvasnia az utasításokat
	Viseljen hallásvédőt!
	Viseljen védőszemüveget !
	Viseljen porvédő maszkot!
	Tartsa távol a kezét!
	Bármilyen állítás, javítás vagy karbantartási művelet előtt vegye ki az akkumulátort a sövényvágóból.
 Li-Ion	Ne dobja el az akkumulátorokat, a lemerült akksikat vigye a helyi gyűjtő- vagy újrahasznosító központokba.
	Ne tegye ki nedvességnek
	Ne tegye ki esőnek vagy víznek
	Ne dobja tűzbe
	A leselejtezett elektromos készülékek nem dobatók a háztartási hulladék közé. Ha van a közelben elektromos hulladékokat gyűjtő központ, vigye oda a készüléket. Az újrahasznosítási lehetőségekről tájékozódjon a helyi hatóságoknál vagy a kereskedőnél.

x1NR18/65-y: Hengeres lítium-ion akkumulátor-cellák 18 mm-es maximális átmérővel és 65 mm-es maximális magassággal; az "x" a sorosan kötött cellákat jelöli, üres, ha a szám 1; az "y" a párhuzamosan kötött cellákat jelöli, üres, ha a szám 1.

1. AKKUMULÁTOR

2. HÁTSÓ FOGANTYÚ

3. ELÜLSŐ FOGANTYÚ

4. BIZTONSÁGI ESZKÖZ

5. ELÜLSŐ KAPCSOLÓKAR (KÖRKÖRÖS KAPCSOLÓ FUNKCIÓ)

6. HÁTSÓ KAPCSOLÓGOMB

7. AKKUMULÁTOR KIOLDÓGOMBJA


8. KÉS

9. KÉSTOK *

* Nem minden készülék tartalmazza valamennyi, a fentiekben felsorolt alkatrészt.

MŰSZAKI ADATOK

Típus **WG259E WG259E.5 WG259E.9 WG260E WG260E.9** (230-269- a megnevezés akkumulátoros sövényvágót jelöl)

	WG259E	WG259E.5	WG259E.9	WG260E	WG260E.9
72 Névleges feszültség	220-240V~50/60Hz				
Névleges teljesítmény	20V  Max** Lithium				
Üresjárat sebesség	2200/min				
Maximális vágáshossz	52cm			61cm	
Maximális vágásátmérő	14mm			19mm	
Töltésidő	5hr approx.	1hr approx.	/	5hr approx.	/
A gép súlya	2.5kg	2.5kg	2.1kg	2.5kg	2.1kg

**Terhelés nélküli feszültség. Az akkumulátor kezdő feszültsége maximum 20 volt. A névleges feszültség 18 volt.

ZAJÉRTÉKEK

A-súlyozású hangnyomásszint	77dB(A)
A-súlyozású hangerő	90dB(A)
K _{DA}	3.0dB(A)
Ha a hangnyomásszint meghaladja a 80 dB(A)-t, viseljen hallásvédőt.	80dB(A)



REZGÉSÉRTÉKEK

Az EN60745 szabvány szerint meghatározott összes rezgés (háromtkengelyű vektoriális összeg) a következő:

Tipikus súlyozott rezgés $a_h = 2.2 \text{ m/s}^2$

Bizonytalanság $K = 1.5 \text{ m/s}^2$

A hivatalos összesített rezgésszint a szerszámok összehasonlítására, illetve a kitettség előzetes felmérésére használható.

FIGYELEM: Az elektromos kéziszerszám használata során a rezgés kibocsátás eltérhet a fenti értéktől attól függően, hogy a szerszámot hogyan használják. Az érték függhet az alábbiaktól:

Hogyan használják a szerszámot, milyen anyagokat vágnak.

Az eszköz jó állapotban van-e, megfelelően karbantartják-e.

Megfelelő tartozékokat használnak-e az eszközhöz, vigyáznak-e, hogy éles legyen és jó állapotban maradjon.

A markolat megfelelően rögzül-e, használnak-e rezgéscsillapító tartozékokat.

A szerszámot rendeltetésszerűen, kialakításának és a jelen utasításoknak megfelelően használják-e.

Ha a szerszámot nem kezelik megfelelően, kéz-kar vibrációs szindrómát okozhat.

FIGYELEM: A pontosság érdekében az expozíciós szint becslült értékéhez a valós használati körülmények között figyelembe kell venni a működési ciklus valamennyi elemét, így azt az időt is, amikor a szerszám ki van kapcsolva, és amikor üresjáratban működik. Ez a teljes munkaidőszak viszonylatában jelentősen csökkentheti az expozíciós szintet.

A rezgéskockázatnak való kitettséget az alábbiakkal csökkentheti:

MINDIG éles vésőt, pengét, és hegyes fúrófejet használjon.

Az eszközt jelen utasításoknak megfelelően tartsa karban, és vigyázzon a megfelelő kenésre (ahol erre szükség van).

Ha rendszeresen használja az eszközt, vásároljon rezgéscsillapító tartozékokat.

Kerülje az eszköz használatát 10°C vagy alacsonyabb hőmérsékleten.


Úgy tervezze meg a munkáját, hogy a magas rezgésszámú eszközök használatát igénylő feladatokat több napra ossza el.

TARTOZÉKOK

	WG259E	WG259E.5	WG259E.9	WG260E	WG260E.9
Késtkok	1	1	1	1	1
Biztonsági eszköz	1	1	1	1	1
Töltő	1 (WA3760)	1 (WA3860)	/	1 (WA3760)	/
Akkumulátor	1 (WA3551.1)	1 (WA3551.1)	/	1 (WA3551)	/


Javasoljuk, hogy a tartozékokat ugyanabból a boltból vásárolja meg, ahol a szerszámot is vásárolta. További részleteket a tartozék csomagolásán talál. Kérjen segítséget és tanácsot a bolti eladóktól.

HASZNÁLATI UTASÍTÁSOK

 **MEGJEGYZÉS:** Mielőtt a szerszámot használná, olvassa el figyelmesen az utasításokat.


RENDELTTETÉS

Ez a gép a célja, hogy belföldön használható vágás és sövények és bokrok vágására.

 **FIGYELEM! Ne használja a terméket a biztonsági lap és az elülső markolat nélkül.**

ÖSSZESZERELÉS ÉS MŰKÖDÉS

MŰVELET	ÁBRA
ÖSSZESZERELÉS	
A biztonsági védő felszerelése	Lásd az A ábrát
Elülső fogantyú felszerelése MEGJEGYZÉS: A fogantyú csavarhegyeinek a védő felé kell nézniük. Ha az elülső fogantyút fordítva szerelik fel, a gépet nem lehet bekapcsolni.	Lásd a B1, B2 és B3-as ábrákat
Az akkumulátor eltávolítása vagy behelyezése	Lásd a C ábrát
Az akkumulátor feltöltése Az akkumulátor NINCS FELTÖLTVE, használat előtt előbb fel kell tölteni. További részletek a töltő használati útmutatójában: WA3760 (A WG259E WG260E) vagy WA3860 (A WG259E.5)	
MŰKÖDÉS	
Elindítás és leállítás	Lásd a D1 és D2-es ábrákat

Felső vágás  FIGYELEM: Ha a gép valamelyik alkatrésze hiányzik, károsodott vagy eltörtött, a károsodott alkatrészek cseréje vagy megjavítása előtt ne működtesse a sövényvágót. Ezen intélem figyelmen kívül hagyása súlyos testi sérülésekhez vezethet. Ne használja a terméket a biztonsági lap és az elülső markolat nélkül.	Lásd az E1 ábrát
Oldalsó vágás	Lásd az E2-es ábrát
A kés kenése	Lásd az F ábrát

A SÖVENYVÁGÓ HASZNÁLATA

Felhívjuk figyelmét, hogy az elülső kapcsolókar három oldalról aktiválható, hogy megtalálja a kényelmes fogást. Mielőtt vágást végezne, ellenőrizze a vágási területet, és szedje ki az idegen tárgyakat, amelyeket a szerszám feldobhatna, vagy amelyek a kés mellé szorulhatnak. Bekapcsolás előtt a sövényvágót fogja meg mindkét kezével, és tartsa távol a többi testrészétől.

Friss ágak vágásakor széles, söprő mozdulatot használjon, hogy az ágak közvetlenül a kés útjába kerüljenek. (Lásd az E1 és E2 ábrákat). Mielőtt a vágást elkezdené, várja meg, hogy a kések elérjék a maximális sebességet. Működés közben tartsa távol a kést az emberektől és tárgyaktól, például falaktól, nagy kövektől, fáktól, járművektől, stb.

Ha a kés elakad, azonnal állítsa le a sövényvágót. Mielőtt megpróbálná kiszedni a beszorult hulladékot, engedje fel a két kapcsolókart (5 és 6).

Tövises vagy szűrös ágak vágásakor viseljen kesztyűt.

Ne próbáljon olyan ágakat vágni, amelyek túl vastagok a kések számára.

FELSŐ VÁGÁS

Használjon széles, söprő mozdulatot (Lásd E1 ábrát). A legjobb eredményt akkor éri el, ha a

vágókést kicsit megdönti mozgásirányba.

OLDALSÓ VÁGÁS

Ha a sövény oldalát vágja, alulról felfele haladjon (Lásd E2 ábra), fent befele kerekítve a sövény peremét. Így a sövény felülete nagyobb lesz, ami egyenletesebb növekedést eredményez.


KARBANTARTÁS

Bármilyen állítás, javítás vagy karbantartási művelet előtt vegye ki az akkumulátort a sövényvágóból.

A szerszámot nem szükséges megkenni vagy karbantartani.

A szerszám nem tartalmaz a felhasználó által javítható alkatrészeket. Soha ne használjon vizet vagy vegyi tisztítószeret a szerszám tisztításához. Törölje tisztára egy száraz ronggyal. A szerszámot mindig száraz helyen tárolja. Tartsa tisztán a motor szellőzőnyílásait. Minden szabályozóeszközt tartson pormentesen.

KÖRNYEZETVÉDELEM

 A leselejtezett elektromos készülékek nem dobhatók a háztartási hulladék közé. Ha van a közelben elektromos hulladékokat gyűjtő központ, vigye oda a készüléket. Az újrahasznosítási lehetőségekről tájékozódjon a helyi hatóságoknál vagy a kereskedőnél.

MEGFELELŐSÉGI NYILATKOZAT

A gyártó,
POSITEC Germany GmbH
Konrad-Adenauer-Ufer 37
50668 Köln

Kijelenti, hogy a termék:

Leírás: **WORX Vezeték nélküli sövényegyengető**

Típus: **WG259E WG259E.5 WG259E.9 WG260E WG260E.9 (230-269- designation of machinery, representative of cordless hedge trimmer)**

Típus: **Sövények és bokrok vágása**

Megfelel a következő irányelveknek:

2006/42/EC, 2014/30/EU, 2011/65/EU 2000/14/EC, módosítva: 2005/88/EC

2000/14/EC, módosítva: 2005/88/EC

- Megfelelőség-felmérési eljárás az **V. függelék** értelmében

- Mért hangerő-szint **87.1dB(A)**

- Garantált hangerő-szint **90dB(A)**

Az alábbi normáknak:

EN 60745-1

EN ISO 3744

EN 55014-2

EN 60745-2-15

EN 55014-1

A műszaki dokumentáció összeállítására jogosult személy:

Név Russell Nicholson

**Cím Positec Power Tools (Europe)Ltd,
PO Box 6242, Newbury, RG14 9LT, UK**



Suzhou 2017/06/22

Allen Ding

Helyettes főmérnöke, Tesztelés és minősítés

REGULI DE SIGURANȚĂ LA UTILIZAREA PRODUSULUI

AVERTISMENTE DE SIGURANȚĂ GENERALE PENTRU ȘUCELE ELECTRICE



AVERTISMENT: Citiți toate avertismentele privind siguranța și toate instrucțiunile. Nerespectarea avertismentelor și instrucțiunilor poate duce la șoc electric, incendiu și/sau accidentare gravă.

Păstrați toate avertismentele și instrucțiunile pentru referință în viitor.

Termenul „sculă electrică” din avertismente se referă la scula electrică cu alimentare de la rețea (cu cordon de alimentare) sau scula electrică alimentată de la baterie (fără cordon de alimentare).

1) SIGURANȚA LOCULUI DE MUNCĂ

- a) Mențineți locul de muncă curat și bine iluminat.** Spațiile aglomerate și întunecate predispun la accidente.
- b) Nu acționați șucele electrice în atmosferă explozivă, cum ar fi în prezența lichidelor, gazelor sau a prafului inflamabil.** Șucele electrice produc scânteii care pot aprinde praful sau vaporii.
- c) Țineți copiii și spectatorii la distanță în timp ce acționați o sculă electrică.** Neatenția vă poate face să pierdeți controlul.
- ### 2) SIGURANȚA ÎN DOMENIUL ELECTRIC
- a) Fișele șucei electrice trebuie să se potrivească în borna de ieșire. Nu modificați niciodată fișa în niciun fel. Nu utilizați fișe adaptoare la șucele electrice cu împământare (legate la pământ).** Fișele nemodificate și bornele de ieșire potrivite vor reduce riscul de șoc electric.
- b) Evitați contactul fizic cu suprafețele împământate sau legate la pământ, cum sunt țevile, radiatoarele,**

mașinile de gătit și frigiderele. Există un risc crescut de șoc electric în cazul în care corpul dvs. intră în contact cu obiectele legate la pământ.

- c) Nu expuneți șucele electrice la ploaie sau condiții umede.** Apa care pătrunde în scula electrică crește riscul de șoc electric.
- d) Nu abuzați de cordonul de alimentare. Nu utilizați niciodată cordonul de alimentare pentru transportul, extragerea sau deconectarea șucei electrice. Țineți cordonul de alimentare la distanță de sursele de căldură, ulei, margini ascuțite sau piese în mișcare.** Cordoanele de alimentare deteriorate sau încălcite cresc riscul de șoc electric.
- e) Când acționați o sculă electrică în aer liber, utilizați un cordon de alimentare potrivit pentru utilizarea în aer liber.** Utilizarea unui cordon de alimentare potrivit pentru utilizarea în aer liber reduce riscul de șoc electric.
- f) Dacă acționarea unei șuce electrice într-o locație umedă nu poate fi evitată, utilizați o alimentare protejată de tip dispozitiv la curent rezidual (RCD).** Utilizarea unui RCD reduce riscul de șoc electric.
- ### 3) SIGURANȚA PERSONALĂ
- a) Fiți vigilenți, atenți la ceea ce faceți și folosiți-vă unul și celălalt când acționați o sculă electrică. Nu utilizați o sculă electrică atunci când sunteți obosit sau sub influența drogurilor, alcoolului sau medicamentelor.** Un moment de neatenție în timpul acționării șucei electrice poate duce la accidentarea personală gravă.
- b) Utilizați echipament de protecție personală. Purtați întotdeauna ochelari de protecție.** Echipamentul de protecție, cum este masca de praf, încălțăminta de protecție anti-derapantă, cască de protecție sau protecția auzului, utilizat în condițiile adecvate, reduce riscul accidentărilor.
- c) Preveniți pornirea neintenționată.** Asigurați-vă că întrerupătorul este în poziția

- oprit înainte de conectarea la sursa de alimentare și/sau a bateriei, la ridicarea sau transportul sculei. Transportul sculelor electrice cu degetele pe întrerupător sau alimentarea sculelor electrice cu întrerupătorul pornit predisune la accidente.
- d) Îndepărtați orice cheie de reglare sau cheie fixă înainte de pornirea sculei electrice.** O cheie fixă lăsată atașată pe o piesă în mișcare a sculei electrice poate duce la accidente grave.
- e) Nu vă întindeți prea mult. Mențineți întotdeauna o poziție stabilă și echilibrată.** Aceasta vă permite un control mai bun al sculei electrice în situații neașteptate.
- f) Îmbrăcați-vă adecvat. Nu purtați îmbrăcăminte largă sau bijuterii. Țineți păăul, îmbrăcăminte și bijuteriile la distanță de piesele în mișcare.** Îmbrăcăminte largă, bijuteriile sau părul lung pot fi prinse de piesele în mișcare.
- g) Dacă dispozitivele sunt prevăzute cu mecanisme de conectare la instalații de absorbție și colectare a prafului, asigurați-vă că acestea sunt conectate și utilizate corect.** Utilizarea instalațiilor de colectare a prafului poate reduce pericolul legat de acesta.
- 4) UTILIZAREA ȘI ÎNTREȚINEREA SCULELOR ELECTRICE**
- a) Nu forțați scula electrică. Utilizați scula electrică adecvată pentru aplicația dvs.** Cu scula electrică adecvată ve-ți efectua lucrarea mai bine și mai sigur la viteza pentru care a fost proiectată.
- b) Nu utilizați scula electrică dacă întrerupătorul de pornit-oprit este defect.** Orice sculă electrică imposibil de controlat cu întrerupătorul este periculoasă și trebuie reparată.
- c) Deconectați fișa din sursa de alimentare și/sau bateria din scula electrică înainte de orice reglare, schimbare a accesoriilor sau depozitare a sculelor electrice.** Astfel de măsuri de siguranță preventive reduc riscul de pornire accidentală a sculei electrice.
- d) Depozitați sculele electrice departe de copii și nu permiteți persoanelor**

nefamiliarizate cu scula electrică sau cu aceste instrucțiuni, utilizarea acestora. Sculele electrice sunt periculoase în mâna utilizatorilor neinstruiți.

- e) Întrețineți sculele electrice. Verificați nealinierea sau griparea pieselor în mișcare, ruperea pieselor și orice altă defecțiune care poate afecta funcționarea sculei electrice.** Dacă este deteriorată, reparați scula electrică înainte de utilizare. Multe accidente sunt cauzate de scule electrice prost întreținute.
- f) Păstrați sculele așchietoare ascuțite și curate.** Sculele așchietoare margini ascuțite întreținute adecvat sunt mai puțin predispuse la gripare și sunt mai ușor de controlat.
- g) Utilizați scula electrică, accesoriile și burghiile etc. în conformitate cu aceste instrucțiuni, luând în considerare condițiile de muncă și tipul delucrare ce se va executa.** Utilizarea sculei electrice pentru alte operații de cât pentru cele care a fost proiectată poate duce la situații periculoase.

5) UTILIZAREA ȘI ÎNTREȚINEREA BATERIEI

- a) Reîncărcați numai cu încărcătorul specificat de producător.** Un încărcător potrivit pentru un tip de baterie poate produce un risc de incendiu când este utilizat la un alt tip de baterie.
- b) Utilizați scula electrică numai cu bateriile specificate de producător.** Utilizarea oricărei alte baterii poate produce un risc de accidentare și incendiu.
- c) Când bateria nu este în uz, țineți-o la distanță de alte obiecte metalice, cum sunt agrafele pentru hârtie, monede, cuie, șuruburi sau alte obiecte metalice mici, care pot crea contact între bornele acesteia.** Scurtcircuitarea bornelor bateriei poate cauza arsuri sau incendii.
- d) În condiții de suprasolicitare, bateria poate împrășca lichid; evitați contactul cu acesta. Dacă se produce contactul accidental cu lichidul din baterie, spălați-vă cu apă.** Dacă lichidul atinge ochii, cereți asistență medicală de specialitate. Lichidul

împroșcat din baterie poate cauza iritații sau arsuri sau chir orbirea.

6) SERVICE-UL

- a) **Reparați scula electrică la un depanator calificat, utilizând numai piese de schimb originale.** Aceasta va asigura menținerea utilizării în siguranță și de durată a sculei electrice.

AVERTISMENTE DE SIGURANȚĂ PENTRU MAȘINA DE TUNS GARDUL VIU:

- Țineți toate părțile corpului la distanță de lama de tăiere. Nu îndepărtați materialul tăiat și nu țineți materialul de tăiat când lamele sunt în mișcare. Asigurați-vă că întrerupătorul este oprit când îndepărtați materialul blocat.** Un moment de neatenție în timpul operării mașinii de tuns gardul viu poate duce la accidentarea personală gravă.
- Transportați mașina de tuns gardul viu de mâner cu lama de tăiere oprită. Când transportați sau depozitați mașina de tuns gardul viu, fixați întotdeauna capacul dispozitivului de tăiere.** Manipularea adecvată a mașinii de tuns gardul viu va reduce accidentarea personală posibilă din partea lamelor de tăiere.
- Țineți unealta electrică de suprafețele de prindere izolate atunci când efectuați o operațiune în care accesoriul de tăiere poate intra în contact cu fire ascunse.** Accesoriul de tăiere care intră în contact cu un fir aflat sub tensiune poate pune sub tensiune componentele metalice neizolate ale mașinii electrice și poate produce un șoc electric asupra operatorului.
- Verificați gardul viu pentru a vă asigura că în acesta nu există obiecte străine, de exemplu bucăți de sârmă.**
- Folosiți-vă ambele mâini atunci**

când utilizați mașina de tuns gardul viu. Utilizarea unei singure mâini poate duce la pierderea controlului, rezultând accidente și răni.

AVERTISMENTE PRIVIND SIGURANȚA PENTRU ACUMULATOR

- Nu demontați, deschideți sau rupeți elementele sau acumulatorul.**
- Nu scurtcircuitați un acumulator. Nu depozitați acumulatorii la întâmplare într-o cutie sau într-un sertar unde s-ar putea scurtcircuita între ele sau prin materiale conductoare.** Când bateria nu este în uz, țineți-o la distanță de alte obiecte metalice, cum sunt agrafele pentru hârtie, monede, cuie, șuruburi sau alte obiecte metalice mici, care pot crea contact între bornele acestora. Scurtcircuitarea bornelor bateriei poate cauza arsuri sau incendii.
- Nu expuneți acumulatorul la căldură sau foc. Evitați depozitarea în lumina directă a soarelui.**
- Nu supuneți acumulatorul la șocuri mecanice.**
- În cazul scurgerii acumulatorului, aveți grijă ca lichidul să nu intre în contact cu pielea sau ochii. În cazul contactului, spălați zona afectată cu apă din belșug și solicitați asistență medicală.**
- Consultați medicul imediat dacă ați înghițit un element sau un acumulator.**
- Mențineți acumulatorul curat și uscat.**
- Ștergeți terminalele acumulatorului cu o cârpă curată și uscată dacă se murdăresc.**
- Acumulatorul trebuie încărcat înainte de utilizare. Consultați întotdeauna aceste instrucțiuni și utilizați procedura de încărcare corectă.**
- Nu încărcați acumulatorul atunci când nu îl utilizați.**
- După perioade extinse de depozitare, ar putea fi necesară încărcarea și descărcarea acumulatorului de mai multe ori pentru a obține performanțe maxime.**
- Acumulatorul oferă cele mai bune performanțe când este operat la**

temperatura normală a camerei
(20°C ± 5°C).

- m) Când depuneți la deșeurii acumulatorii, păstrați separat acumulatorii unor sisteme electrochimice diferite.
- n) **Reîncărcați folosind doar încărcătorul specificat de POSITEC.**
Un încărcător potrivit pentru un tip de cartuș de acumulatori poate provoca riscul incendierii dacă este folosit pentru un alt tip de cartuș de acumulatori.
- o) **Când nu folosiți cartușul de acumulatori, țineți-l la distanță de obiecte metalice precum agrafe de birou, monede, chei, cuie, șuruburi sau alte obiecte metalice mici, ce pot constitui o legătură între cele două borne. Scurtcircuitarea bornelor cartușului de acumulatori poate produce arsuri sau incendiu.**
- p) **În condiții necorespunzătoare de utilizare, se poate prelinge lichid din acumulator; evitați contactul. Dacă intrați în contact accidental, clătiți bine cu apă zona afectată. Dacă v-a intrat lichid în ochi, consultați imediat medicul. Lichidul expulzat din acumulator poate cauza iritații sau arsuri.**
- q) **Curățați terminalele acumulatorului și pe cele ale echipamentului înainte instalării acumulatorului.**
- r) **Îndepărtați imediat acumulatorul consumat.**
- s) **Nu utilizați alt încărcător decât cel prevăzut în mod specific pentru a fi utilizat împreună cu acest echipament.**
- o) **Nu utilizați acumulatoare care nu sunt concepute pentru a fi utilizate cu acest echipament.**
- p) **Nu lăsați acumulatorul la îndemâna copiilor.**
- t) **După perioade extinse de depozitare, ar putea fi necesară încărcarea și descărcarea acumulatorului de mai multe ori pentru a obține performanțe maxime.**
- q) **Păstrați documentația originală a produsului pentru consultări ulterioare.**
- r) **Îndepărtați acumulatorul din echipament atunci când nu îl utilizați.**
- s) **Eliminați acumulatorul în mod corespunzător.**

SIMBOLURI

	Avertisment
	Pentru a reduce riscul de accidentări, utilizatorul trebuie să citească manualul de instrucțiuni
	Purtați căști de protecție auditivă
	Purtați ochelari de protecție
	Purtați mască de protecție contra prafului
	Țineți mâinile la distanță!
	Scoateți acumulatorul din mașina de tuns gardul viu înainte de a efectua orice ajustări, operațiuni de service sau întreținere.
 Li-Ion	Nu aruncați acumulatorii. Returnați acumulatorii consumați la punctul local de colectare sau reciclare.
	Ferțiți-l de ploaie
	Ferțiți-l de ploaie
	Nu aruncați în foc!
	Produsele electrice nu trebuie depuse la deșeurii împreună cu gunoii menajer. Vă rugăm să depuneți produsele electrice la unitățile de reciclare existente. Consultați-vă cu autoritățile locale sau cu distribuitorul pentru sfaturi privind reciclarea.

xINR18/65-y: Produsele electrice nu trebuie depuse la deșeurii împreună cu gunoii menajer. Vă rugăm să depuneți produsele electrice la unitățile de reciclare existente. Consultați-vă cu autoritățile locale sau cu distribuitorul pentru sfaturi privind reciclarea.

1. ACUMULATOR

2. MÂNER DIN SPATE

3. MÂNER DE TRANSPORT FRONTAL

4. DISPOZITIV DE PROTECȚIE

5. MANETĂ ÎNTRERUPĂTOR FRONTAL (ÎNTRERUPĂTOR FUNCȚII MULTIPLE)

6. MANETĂ ÎNTRERUPĂTOR

7. BUTON DE ELIBERARE A ACUMULATORULUI


8. LAMĂ

9. TEACĂ PENTRU LAMĂ *

*Nu toate accesoriile ilustrate sau descrise sunt incluse în livrarea standard.

DATE TEHNICE

Tip **WG259E WG259E.5 WG259E.9 WG260E WG260E.9** (230-269- denumirea echipamentului, reprezentând Mașină de tuns gard viu fără cordon)

	WG259E	WG259E.5	WG259E.9	WG260E	WG260E.9
80 Tensiune nominală	220-240V~50/60Hz				
Putere nominală	20V  Max** Lithium				
Turație la mers în gol	2200/min				
Lungime de tăiere max.	52cm			61cm	
Diametru de tăiere max.	14mm			19mm	
Timp încărcare	5hr approx.	1hr approx.	/	5hr approx.	/
Greutate mașină	2.5kg	2.5kg	2.1kg	2.5kg	2.1kg

**Tensiune măsurată în gol. Tensiunea inițială a acumulatorului atinge maximum 20 volți. Tensiunea nominală este de 18 volți.

INFORMAȚII PRIVIND ZGOMOTUL

Presiune sonică ponderată A	77dB(A)
Putere acustică ponderată A	90dB(A)
K_{pA}	3.0dB(A)

Dacă presiunea acustică depășește 80dB(A), purtați căști de protecție auditivă.



Mașină de tuns gard viu fără cordon RO

INFORMAȚII PRIVIND VIBRAȚIILE

Valori totale vibrații (sumă vectorială triaxială) determinată conform EN 60745:

Vibrația nu depășește $a_h = 2.2\text{m/s}^2$

Marjă de eroare $K = 1.5\text{m/s}^2$

Valoarea totală declarată a vibrațiilor poate fi utilizată pentru compararea unei unelte cu o alta și, de asemenea, poate fi utilizată în cazul unei evaluări preliminare a expunerii.

AVERTISMENT: Valoarea emisiilor de vibrații în timpul utilizării efective a unelei electrice poate diferi de valoarea nivelului declarat, în funcție de modul în care unealta este utilizată, în funcție de următoarele exemple și alte variații privind utilizarea unelei:

Modul în care scula este folosită și tipul de materiale tăiate sau sfredelite .

Unealta să fie într-o stare bună și întreținută corespunzător.

Utilizarea accesoriului corect pentru unealtă, fiind ascuțit și în bună stare de funcționare.

Strângerea cu fermitate a mânerelor și utilizarea oricăror accesorii anti-vibrații.

Iar unealta este utilizată conform destinației de utilizare și acestor instrucțiuni.

Această unealtă poate cauza sindromul vibrației mâinii-brațului dacă nu este utilizată corespunzător.

AVERTISMENT: Pentru precizie, o estimare a nivelului de expunere în condițiile de utilizare reale trebuie de asemenea să țină cont de toate componentele ciclului de operare, precum momentele când unealta este oprită și când merge în gol, dar nu efectuează operația propriu-zisă.

Acest lucru ar putea reduce semnificativ nivelul de expunere pe durata totală de lucru.

Ajută la reducerea riscului de expunere la vibrații.

Întrețineți unealta în conformitate cu aceste instrucțiuni și mențineți-o bine lubrifiată (dacă este cazul)

Dacă unealta va fi utilizată în mod regulat, investiți în accesorii anti-vibrații.

Evitați utilizarea uneltelor la temperaturi de 10°C sau mai puțin.

Planificați-vă lucrul pentru a desfășura utilizarea uneltelor cu nivel ridicat de vibrații de-a lungul mai multor zile.

81

ACCESORII

	WG259E	WG259E.5	WG259E.9	WG260E	WG260E.9
Teacă pentru lamă	1	1	1	1	1
Dispozitiv de protecție	1	1	1	1	1
Încărcător	1 (WA3760)	1 (WA3860)	/	1 (WA3760)	/
Acumulator	1 (WA3551.1)	1 (WA3551.1)	/	1 (WA3551)	/

Vă recomandăm să achiziționați accesorii de la același magazin de la care ați cumpărat unealta.

Consultați ambalajul accesoriului pentru detalii suplimentare. Personalul din magazin vă poate oferi asistență și sfaturi.

INSTRUCȚIUNI DE UTILIZARE



NOTĂ: Înainte de a utiliza unealta, citiți cu atenție manualul de instrucțiuni.

UTILIZARE CONFORM DESTINAȚIEI

Mașina este destinată tăierii și tunderii gardurilor vii și a tufșurilor din grădinile din fața caselor sau din grădinile cu destinație tip hobby.



AVERTISMENT! NU FOLOSITI ACEST PRODUS FĂRĂ POTRIVIREA APĂRĂTORII ȘI A MÂNERULUI FRONTAL.

ASAMBLARE ȘI OPERARE

ACȚIUNE	FIGURA
ASAMBLARE	
ASAMBLAREA APĂRĂTORII	Consultați Fig. A
ASAMBLAREA MÂNERULUI FRONTAL NOTĂ: Vârfulurile șuruburilor trebuie să fie îndreptate către apărătoare. Dacă mânerul frontal este asamblat invers, scula electrică nu poate fi pornită.	Consultați Fig. B1, B2 și B3
PENTRU A DEMONTA SAU MONTA ACUMULATORUL	Consultați Fig. C
Încărcarea acumulatorului Acumulatorul este NEÎNCĂRCAT și trebuie să îl încărcați o dată înainte de utilizare. Mai multe detalii în ghidul de utilizare al încărcătorului: WA3760 (pentru WG259E WG260E) sau WA3860 (pentru WG259E.5)	
OPERAȚIUNE	
PORNIREA ȘI OPRIREA	Consultați Fig. D1 și D2

TĂIEREA DIN VÂRF



AVERTISMENT: Dacă vreo piesă componentă lipsește, este deteriorată sau crăpată, nu utilizați mașina până la înlocuirea sau repararea tuturor pieselor deteriorate. Nerespectarea acestei prevederi poate duce la leziuni corporale grave. **NU FOLOSITI ACEST PRODUS FĂRĂ POTRIVIREA APĂRĂTORII ȘI A MÂNERULUI FRONTAL.**

Consultați Fig. E1

TĂIEREA LATERALĂ

Consultați Fig. E2

LUBRIFIEREA LAMEI DE TĂIERE

Consultați Fig. F

CUM SĂ FOLOSITI MAȘINA DVS DE TUNS GARDUL VIU

Vă rugăm să țineți cont de faptul că pârghia de comandă frontală poate fi activată pe trei părți, oferindu-vă mai multe alegeri pentru o prindere confortabilă. Înainte de tunderea unei zone, inspectați mai întâi și îndepărtați orice obiecte străine care ar putea fi aruncate de lame sau prinse în acestea. Țineți întotdeauna mașina de tuns gardul viu cu ambele mâini și cu lama în direcție opusă de dvs când o porniți.

Atunci când tundeți gard viu nou crescut, folosiți o mișcare de rotire în așa fel încât tulpinile să fie alimentate direct înspre lamă. (Consultați Fig. E1 & E2)

Lăsați lamele de tăiere să atingă viteza maximă înainte de a intra cu lama în materialul de tăiat. Lucrați întotdeauna mergând în direcție diferită de persoane sau obiecte solide precum ziduri, pietre mari, copaci, vehicule etc.

Dacă lama se blochează, opriți imediat mașina de tuns gardul viu. Deconectați-o de la sursa de curent și curățați resturile blocate din lamele de tăiere.

Purtați mănuși când tăiați plantele ascuțite sau cu spini.

Mutați mașina de tuns pentru a avansa ramurile direct pe marginile lamei de tăiere.

Nu încercați să tăiați tulpini ce sunt prea groase

pentru lama de tăiere.

TĂIEREA DIN VÂRF

Folosiți o mișcare de rotire largă (Vedeți figura E1). O ușoară aplecare în față a lamelor de tăiere în direcția mișcării dă cele mai bune rezultate de tăiere.

TĂIEREA LATERALĂ

Atunci când tundeți părțile laterale ale gardului viu, începeți de la bază și tăiați în sus (Vedeți figura E2), în formă conică gardul îndreptat spre vârf. Această formă va expune mai mult din gardul viu, rezultând într-o formă mai uniformă creșterea.

ÎNTREȚINERE

Scoateți acumulatorul din mașina de tuns gardul viu înainte de a efectua orice ajustări, operațiuni de service sau întreținere.

Unealta dumneavoastră nu necesită lubrifiere sau întreținere suplimentară.

Interiorul unelei electrice nu conține piese care pot fi depanate de către utilizator. Nu utilizați niciodată apă sau agenți chimici de curățare pentru curățarea unelei electrice.

Ștergeți unealta cu o cârpă uscată. Depozitați întotdeauna unealta într-un loc uscat. Mențineți fantele de aerisire a motorului curate. Feriți de praf toate comenzile de lucru.

PROTECȚIA MEDIULUI



Produsele electrice nu trebuie depuse la deșeuri împreună cu gunoiul menajer. Vă rugăm să depuneți produsele electrice la unitățile de reciclare existente. Consultați-vă cu autoritățile locale sau cu distribuitorul pentru sfaturi privind reciclarea.

DECLARAȚIE DE CONFORMITATE

Subsemnații,
POSITEC Germany GmbH
Konrad-Adenauer-Ufer 37
50668 Köln

Declarăm că produsul,
Descriere **WORX Mașină de tuns gard viu fără cordon**
Tip **WG259E WG259E.5 WG259E.9 WG260E WG260E.9 (230-269-**
denumirea echipamentului,
reprezentând Mașină de tuns gard viu fără cordon)

Funcții: **Tunderea gardului viu și tufișurilor**

Respectă următoarele Directive,
2006/42/EC, 2014/30/EU, 2011/65/EU,
2000/14/EC amendată de 2005/88/EC

2000/14/EC amendată de 2005/88/EC

- Procedură de evaluare a conformității conformă cu **Annex V**

- Nivel de putere sonoră măsurat **87.1dB(A)**

- Nivel declarat de putere sonoră garantată **90dB(A)**

Se conformează standardelor

EN 60745-1

EN 60745-2-15

EN ISO 3744

EN 55014-1

EN 55014-2

Persoana responsabilă pentru elaborarea fișei tehnice,:

Nume Russell Nicholson

Adresa Positec Power Tools (Europe)Ltd,
PO Box 6242, Newbury, RG14 9LT, UK



Suzhou 2017/06/22

Allen Ding

Adjunct Inginer Șef, Testare și certificare

Mașină de tuns gard viu fără cordon RO

BEZPEČNOSTNÍ POKYNY

PŘEKLAD ORIGINÁLNÍHO NÁVODU VŠEOBECNÉ BEZPEČNOSTNÍ POKYNY PRO ELEKTRICKÁ NÁŘADÍ



VAROVÁNÍ Přečtete si všechny bezpečnostní varování a všechny pokyny. Nebudete-li dodržovat uvedené varování a pokyny, může dojít k úrazu elektrickým proudem, požáru nebo vážným zraněním.

Uschovejte všechna varování a pokyny pro budoucí odkazy.

Termín „elektrické nářadí“ používaný v uvedených varování odkazuje na vaše nářadí napájené se sítě (s napájecím kabelem) nebo baterií (bez napájecího kabelu).

1) BEZPEČNOST PRACOVNÍHO PROSTORU

a) Udržujte pracovní prostor v čistotě a zajistěte jeho řádné osvětlení.

Nepořádek a neosvětlená místa zvyšují riziko způsobení nehod.

b) Nepoužívejte elektrická nářadí ve výbušném prostředí, kde se mohou vyskytovat hořlavé kapaliny, plyny nebo prašné látky. V elektrickém nářadí dochází k jiskření, které může způsobit vznícení prachu nebo výparů.

c) Při práci s elektrickým nářadím udržujte okolo stojící osoby a děti v bezpečné vzdálenosti. Rozptylování může způsobit ztrátu kontroly.

2) ELEKTRICKÁ BEZPEČNOST

a) Zástrčky napájecích kabelů elektrických nářadí musí odpovídat síťovým zásuvkám. Zástrčku napájecího kabelu nikdy žádným způsobem neupravujte. S uzemněným elektrickým nářadím nikdy nepoužívejte žádné adaptéry pro zástrčky. Neupravené zástrčky a odpovídající zásuvky budou snižovat riziko

způsobení úrazu elektrickým proudem.

b) Zabraňte kontaktu těla s uzemněnými povrchy, jako jsou potrubí, radiátory, sporáky a ledničky. Je-li vaše tělo uzemněno, hrozí zvýšené riziko úrazu elektrickým proudem.

c) Nevystavujte elektrická nářadí dešti nebo vlhkému prostředí. Vnikne-li do elektrického nářadí voda, zvyšuje se riziko úrazu elektrickým proudem.

d) Nepoškozujte napájecí kabel. Nikdy nepoužívejte napájecí kabel pro přenášení nebo jinou manipulaci s nářadím a netahajte za napájecí kabel, chcete-li odpojit zástrčku od síťové zásuvky. Dbejte na to, aby napájecí kabel nepřecházel přes horké a mastné povrchy nebo přes ostré hrany a pohyblivé díly. Poškozené nebo zamotané napájecí kabely zvyšují riziko způsobení úrazu elektrickým proudem.

e) Pracujete-li s elektrickým nářadím venku, používejte prodlužovací kabely určené pro venkovní použití.

Použití prodlužovacího kabelu určeného pro venkovní použití snižuje riziko způsobení úrazu elektrickým proudem.

f) Musíte-li pracovat s elektrickým nářadím ve vlhkém prostředí, použijte napájení chráněné proudovým chráničem (RCD). Použití proudového chrániče (RCD) snižuje riziko úrazu elektrickým proudem.

3) BEZPEČNOST OSOB

a) Při práci s tímto elektrickým nářadím buďte stále pozorní, sledujte, co děláte a používejte zdravý rozum. Nepoužívejte toto elektrické nářadí, jste-li unaveni nebo jste-li pod vlivem alkoholu, drog nebo léků. Chvilková nepozornost při práci s elektrickým nářadím může vést k způsobení vážného zranění.

b) Používejte prvky osobní ochrany. Vždy používejte ochranu zraku.

Bezpečnostní prvky, jako jsou maska proti prachu, neklouzavá pracovní obuv, pevná přilba nebo ochrana sluchu, které jsou používány v příslušných pracovních

podmínkách, budou snižovat riziko zranění.

- c) **Zabraňte neúmyslnému spuštění. Před připojením zástrčky napájecího kabelu nářadí k síťové zásuvce, před vložením baterie, před uchopením nářadí nebo před jeho přenášením se ujistěte, zda je hlavní spínač nastaven v poloze vypnuto.** Přenášení elektrického nářadí s prstem na spouštěčím spínači nebo připojení k napájecímu zdroji, je-li spouštěč spínač v poloze zapnuto, značně zvyšuje riziko nehody.
- d) **Před zapnutím elektrického nářadí odstraňte všechny seřizovací klíče a přípravky.** Klíč nebo přípravek ponechaný na rotující části nářadí může způsobit vážné zranění.
- e) **Nepřekázejte sami sobě. Stále udržujte pevný postoj a rovnováhu.** Správný postoj a rovnováha umožňují lepší ovládání elektrického nářadí v neočekávaných situacích.
- f) **Vhodně se oblékejte. Nenoste volný oděv nebo šperky. Udržujte vlasy, oděv a rukavice v bezpečné vzdálenosti od pohybujících se částí.** Volný oděv, šperky nebo dlouhé vlasy mohou být zachyceny pohybujícími se díly.
- g) **Je-li nářadí vybaveno příslušenstvím pro připojení odsávacího systému a zařízením pro ukládání zachyceného prachu, zajistěte, aby byla taková zařízení připojena a řádně používána.** Použití takových zařízení může snižovat rizika týkající se prachu.

4) POUŽITÍ ELEKTRICKÉHO NÁŘADÍ A JEHO ÚDRŽBA

- a) **Nepřetěžujte elektrická nářadí. Používejte pro prováděnou práci vždy správné nářadí.** Správné nářadí provede práci lépe a bezpečněji, je-li pro tuto práci určeno.
- b) **Nepoužívejte elektrické nářadí, nepracuje-li správně jeho spouštěcí spínač.** Každé elektrické nářadí, které nemůže být ovládáno pomocí spouštěcího spínače, je nebezpečné a musí být opraveno.
- c) **Před prováděním jakéhokoli seřízení, před výměnou příslušenství nebo**

před uložením elektrického nářadí vždy odpojte zástrčku napájecího kabelu od síťové zásuvky nebo z kabelu vyjměte baterii. Tato preventivní bezpečnostní opatření snižují riziko náhodného spuštění elektrického nářadí.

- d) **Ukládejte nepoužívané elektrické nářadí mimo dosah dětí a nedovolte osobám, které nejsou seznámeny s tímto elektrickým nářadím nebo těmito pokyny pro obsluhu, aby toto nářadí používaly.** Tato elektrická nářadí jsou v rukách neproškolených osob značně nebezpečná.
- e) **Provádějte pečlivou údržbu elektrického nářadí. Zkontrolujte vychýlení nebo deformace pohybujících se částí, závady jednotlivých dílů a jiná poškození, která by mohla mít vliv na funkci nářadí.** Je-li nářadí poškozeno, před opětovným použitím zajistěte jeho opravu. Mnoho nehod bývá způsobeno v důsledku provádění nedostatečné údržby nářadí.
- f) **Udržujte pracovní nástroje ostré a čisté.** Nářadí, u kterého je prováděna řádná údržba a jehož pracovní nástroje jsou řádně nabroušeny, má menší tendenci se zasekávat a je lépe ovladatelné.
- g) **Používejte elektrické nářadí, příslušenství a pracovní nástroje v souladu s těmito pokyny, berte také v úvahu pracovní podmínky a práci, která bude prováděna.** Použití nářadí pro práce, pro které není určeno, by mohlo vést k rizikovým situacím.

5) POUŽITÍ A ÚDRŽBA ELEKTRICKÉHO NÁŘADÍ NAPÁJENÉHO BATERIÍ

- a) **Provádějte nabíjení pouze v nabíječce, která je specifikovaná výrobcem.** Nabíječka, která je vhodná pro jeden typ baterie, může při použití jiného typu baterie vytvářet riziko způsobení požáru.
- b) **Při použití nářadí napájeného baterií používejte pouze baterii, která je určena speciálně pro toto nářadí.** Použití jakékoli jiné baterie může vytvářet riziko způsobení zranění a požáru.
- c) **Není-li baterie používána, udržujte ji**

v bezpečné vzdálenosti od sponek na papíry, mincí, klíčů, hřebíků, šroubů nebo jiných malých kovových předmětů, které mohou způsobit propojení kontaktů baterie. Zkratování kontaktů baterie může způsobit popáleniny nebo požár.

- d) **V náročných podmínkách může docházet k únikům kapaliny z baterie. Vyvarujte se kontaktu s touto kapalinou. Dojde-li k náhodnému kontaktu, opláchněte zasažené místo vodou. Zasažte-li tato kapalina oči, okamžitě vyhledejte lékařské ošetření.** Kapalina unikající z baterie může způsobit podráždění nebo popáleniny.

6) SERVIS

- a) **Svěřte servis vašeho elektrického nářadí kvalifikovaným mechanikům autorizovaného servisu, kteří budou používat pouze originální náhradní díly.** Tak bude zajištěno, že bude zachována bezpečnost tohoto elektrického nářadí.

3. **Při práci, během které se mohou nože nůžek dostat do kontaktu se skrytými vodiči, držte elektrické nářadí vždy pouze za izolované plochy.** Kontakt nožů s „živým“ vodičem způsobí, že neizolované kovové části nářadí budou také „živé“, což způsobí obsluze úraz elektrickým proudem.
4. **Zkontrolujte živý plot, zda neobsahuje cizí prvky, jako například natažené dráty.**
5. **Při práci s nůžkami na plot používejte obě ruce.** Držení nůžek pouze jednou rukou vede ke zřetě kontroly a vzniku vážného úrazu.

BEZPEČNOSTNÍ VAROVÁNÍ TÝKAJÍCÍ SE BATERIÍ



- a) **Nepokoušejte se demontovat, rozebírat nebo rozřezávat baterie nebo její články.**
- b) **Neprovádějte zkratování baterie. Neukládejte baterie nahodile v krabicích nebo v zásuvkách, kde by mohlo dojít k jejich vzájemnému zkratování nebo k zkratování způsobenému jinými předměty.** Není-li baterie používána, udržujte ji v bezpečné vzdálenosti od sponek na papíry, mincí, klíčů, hřebíků, šroubů nebo jiných malých kovových předmětů, které mohou způsobit propojení kontaktů baterie. Zkratování kontaktů baterie může způsobit popáleniny nebo požár.
- c) **Nevystavujte baterii působení horka nebo ohně. Vyvarujte se skladování baterií na otevřeném slunci.**
- d) **Nevystavujte baterii mechanickým rázům.**
- e) **Dojde-li k úniku kapaliny z baterie, zabraňte tomu, aby se tato kapalina dostala do kontaktu s pokožkou nebo aby zasáhla oči. Dojde-li k takovému kontaktu, zasažené místo omyjte značným množstvím vody a vyhledejte lékařské ošetření.**

VAROVÁNÍ TÝKAJÍCÍ SE NŮŽEK NA ŽIVÉ PLOTY

1. **Udržujte všechny části těla v bezpečné vzdálenosti od pohybujících se nožů. Jsou-li nože nůžek v pohybu, neodstraňujte ostříhaný materiál a nedržte materiál, který budete stříhat. Před odstraněním zaseknutého materiálu se ujistěte, zda je spínač v poloze vypnuto.** Chvilková nepozornost při práci s nůžkami na živé ploty může vést k způsobení vážného zranění.
2. **Přenášejte nůžky na živé ploty za rukojeť a vždy se zastavenými noži nůžek. Při přepravě nebo při uložení nůžek na živé ploty vždy nasad'te na nože nůžek ochranné pouzdro.** Správná manipulace s nůžkami na živé ploty snižuje riziko možného zranění osob, které by bylo způsobeno noži nůžek.

- f) **Dojde-li k požití kapaliny z baterie, vyhledejte okamžitě lékařské ošetření.**
- g) **Udržujte baterie čisté a suché.**
- h) **Jsou-li svorky baterie znečištěny, otřete je čistým a suchým hadříkem.**
- i) **Baterie musí být před použitím nabita. Vždy postupujte podle uvedených pokynů a používejte správný postup nabíjení.**
- j) **Nenechávejte baterii nabíjet, nebude-li baterie použita.**
- k) **Po dlouhodobém uložení budete možná muset provést několik cyklů nabíjení a vybíjení, aby baterie dosáhla svého maximálního výkonu.**
- l) **Baterie poskytuje nejvyšší výkon, je-li používána při běžné pokojové teplotě (20 °C ± 5 °C).**
- m) **Při likvidaci baterií oddělte od sebe baterie s odlišnými elektrochemickými systémy.**
- n) **Provádějte nabíjení pouze v nabíječce, která je specifikovaná společností WORX. Nepoužívejte jinou nabíječku, než je nabíječka speciálně dodaná pro použití s tímto zařízením. Nabíječka, která je vhodná pro jeden typ baterie, může při použití jiného typu baterie vytvářet riziko způsobení požáru.**
- o) **Nepoužívejte žádnou baterii, která není určena pro použití s tímto zařízením.**
- p) **Ukládejte baterie mimo dosah dětí.**
- q) **Uschovejte originální dokumentaci k tomuto výrobku pro budoucí odkazy.**
- r) **Není-li zařízení používáno, vyjměte z něj baterii.**
- s) **Provádějte řádnou likvidaci baterie.**

SYMBOLY

	Výstraha
	Pro omezení rizika zranění si pečlivě přečtěte návod k obsluze
	Používejte pomůcky pro ochranu sluchu
	Používejte pomůcky pro ochranu očí
	Používejte respirátor
	Udržujte ruce v bezpečné vzdálenosti
	Před prováděním jakéhokoli seřízení, opravy nebo údržby vždy vyjměte z nářadí baterii.
 Li-Ion	Baterie neodhazujte do komunálního odpadu. Odevzdejte je do sběren pro likvidaci (recyklaci) speciálního odpadu.
	Nevystavujte toto zařízení vlhkosti
	Nevystavujte dešti nebo vodě
	Nevystavujte ohni
	Vysloužilé elektrické přístroje nevyhazujte společně s domovním odpadem. Nářadí recyklujte ve sběrách k tomu účelu zřízených. O možnostech recyklace se informujte na místních úřadech nebo u prodejce.

x1NR18/65-y: Válcové baterie Li-Ion s maximálním průměrem 18 mm a s maximální výškou 65 mm. „x“ znamená počet článků zapojených do série, prázdňný údaj, je-li 1, „-y“ znamená počet článků zapojených paralelně, prázdňný údaj, je-li 1.

1. BATERIE

2. ZADNÍ RUKOJEŤ

3. PŘEDNÍ RUKOJEŤ

4. BEZPEČNOSTNÍ KRYT

5. PŘEDNÍ SPÍNACÍ PÁKA (KOMPLEXNÍ FUNKCE SPÍNAČE)

6. ZADNÍ RUKOJEŤ

7. UVOLŇOVACÍ ZÁPADKA BATERIE


8. NOŽE NŮŽEK

9. OCHRANNÉ POUZDRO *

* Standardní dodávka nemusí obsahovat veškeré vyobrazené či popsané příslušenství.

TECHNICKÉ ÚDAJE

Typ **WG259E WG259E.5 WG259E.9 WG260E WG260E.9** (230-269 - označení strojního zařízení, zástupce akumulátorových nůžek na živé ploty)

	WG259E	WG259E.5	WG259E.9	WG260E	WG260E.9
Napětí	220-240V~50/60Hz				
Moc	20V  Max** Lithium				
Otáčky naprázdno	2200/min				
Max. délka lišty nůžek	52cm			61cm	
Max. průměr větve	14mm			19mm	
Doba nabíjení	5hr approx.	1hr approx.	/	5hr approx.	/
Hmotnost stroje	2.5kg	2.5kg	2.1kg	2.5kg	2.1kg

**Napětí měřeno bez pracovního zatížení. Původní napětí baterie dosahuje maximálně 20V. Jmenovité napětí je 18V.

ÚDAJE O HLUKU A VIBRACÍCH

Naměřená hladina akustického tlaku	77dB(A)
Naměřený akustický výkon	90dB(A)
K_{pA}	3.0dB(A)
Použijte ochranu sluchu, přesáhne-li akustický tlak	80dB(A)



INFORMACE O VIBRACÍCH

Celkové hodnoty vibrací (trojosé nebo vektorové součtové měření) stanovené v souladu s EN 60745:

Typická naměřená hodnota vibrací $a_h=2.2\text{m/s}^2$

Odchylka $K = 1.5\text{m/s}^2$

Deklarovaná celková hodnota vibrací může být použita pro vzájemné srovnání jednotlivých nářadí a rovněž může být použita k předběžnému stanovení doby práce.

! **VÝSTRAHA:** Hodnota vibračních emisí během praktického používání tohoto elektrického nástroje se může lišit od deklarované hodnoty v závislosti na způsobech, jakými je nástroj používán v závislosti na následujících podmínkách a dalších možnostech použití nástroje: Způsob, jakým je nástroj používán, a povaha narušovaných nebo vrтанých materiálů. Dobrý stav nástroje a řádné provádění jeho údržby Používání správného příslušenství s nástrojem, ostrost a dobrý stav příslušenství. Utažení úchopu na rukojetích a použití antivibračního příslušenství. Používání nástroje k účelům určeným konstrukcí a v souladu s těmito pokyny.

Při nesprávném používání může tento nástroj způsobit syndrom vibrací rukou a paží.

! **VÝSTRAHA:** Je třeba upřesnit, že při odhadu výše rizika vibrací v praxi je nutno rovněž zohlednit všechny fáze pracovního cyklu, například dobu, kdy je nástroj vypnutý a kdy běží naprázdno, ale nevykonává práci. To může podstatně snížit působení vibrací v rámci celkového pracovního času.

Zásady pro omezení rizika působení vibrací:

VŽDY používejte ostré trny, vrtáky a čepele.

Provádějte údržbu tohoto nástroje v souladu s těmito pokyny a nástroj (příslušným způsobem) dobře promazávejte.

Má-li být tento nástroj používán pravidelně, zakupte antivibrační příslušenství.

Nepoužívejte nástroje při teplotě 10°C nebo nižší.

Naplánujte práci tak, aby bylo provádění úkolů, které vyžadují silné vibrace nástroje, rozloženo do několika dní.

PŘÍSLUŠENSTVÍ

	WG259E	WG259E.5	WG259E.9	WG260E	WG260E.9
Ochranné pouzdro	1	1	1	1	1
Bezpečnostní kryt	1	1	1	1	1
Nabíječka	1 (WA3760)	1 (WA3860)	/	1 (WA3760)	/
Baterie	1 (WA3551.1)	1 (WA3551.1)	/	1 (WA3551)	/

Doporučujeme, abyste si příslušenství zakoupili od stejného prodejce, u kterého jste koupili nářadí. Pro další detaily prostudujte obal příslušenství. V případě potřeby požádejte personál prodejny o pomoc a radu.

POKYNY PRO OBSLUHU



POZNÁMKA: Před tím než začnete narádí používat, přečtěte si pečlivě manuál.

URČENÉ POUŽITÍ


Toto nářadí je určeno pro použití v domácnostech pro stříhání a úpravu živých plotů a křovin.



VAROVÁNÍ! NEPOUŽÍVEJTE TOTO NÁŘADÍ BEZ ŘÁDNĚ UPEVNĚNÉHO KRYTU A PŘEDNÍ RUKOJETI.

SESTAVENÍ A POUŽÍVÁNÍ

POSTUP	OBR.
SESTAVENÍ	
MONTÁŽ BEZPEČNOSTNÍHO KRYTU	Viz obr. A
MONTÁŽ PŘEDNÍ RUKOJETI POZNÁMKA: Šrouby rukojeti musí směřovat směrem k ochrannému krytu. Pokud bude přední rukojeť sestavena směrem dozadu, nářadí nebude možné spustit.	Viz obr. B1, B2, B3
VYJMUTÍ NEBO VLOŽENÍ BATERIE	Viz obr. C
NABÍJENÍ VAŠÍ BATERIE Akumulátor NENÍ NABITÝ a před používáním je nezbytné jej nabít. Podrobnější údaje naleznete v příručce k nabíječce WA3760 (pro WG259E WG260E) nebo WA3860 (pro WG259E.5)	
OBSLUHU	
SPUŠTĚNÍ A ZASTAVENÍ	Viz obr. D1, D2

STŘÍHÁNÍ HORNÍ ČÁSTI KEŘE  VAROVÁNÍ: Pokud některé součásti zcela chybí, nebo jsou poškozeny nebo zlomeny, nepoužívejte akumulátorové nůžky do té doby, než budou všechny poškozené díly vyměněny nebo opraveny. V opačném případě může dojít k vážnému zranění. NEPOUŽÍVEJTE TOTO NÁŘADÍ BEZ ŘÁDNĚ UPEVNĚNÉHO KRYTU A PŘEDNÍ RUKOJETI.	Viz obr. E1
--	-------------

STŘÍHÁNÍ BOČNÍ ČÁSTI KEŘE	Viz obr. E2
---------------------------	-------------

MAZÁNÍ NOŽŮ NŮŽEK	Viz obr. F
-------------------	------------

JAK SE NŮŽKY NA ŽIVÉ PLOTY POUŽÍVAJÍ

Všimněte si, že přední spínací páka může být aktivována ze tří stran, což vám poskytuje mnoho možností pro komfortní úchop. Před každým použitím zkontrolujte nejdříve prostor, kde budete s nůžkami pracovat a odstraňte všechny předměty, které mohou být odmrštěny nebo které by se mohly namotat na nože nůžek. Před spuštěním držte tyto nůžky na živé ploty vždy oběma rukama a tak, aby nože nůžek směřovaly směrem od vás.

Stříháte-li nově obrostlé živé ploty, použijte široké obloukové pohyby tak, aby byly nové stonky naváděny přímo do nožů nůžek. (Viz obr. E1 a E2)

Před zahájením stříhání počkejte, dokud nože nůžek nedosáhnou maximálních otáček. Vždy pracujte v bezpečné vzdálenosti od ostatních osob a pevných předmětů, jako jsou zdi, velké kameny, stromy, vozidla atd.

Dojde-li k zastavení nožů nůžek, okamžitě tyto nůžky zastavte. Před pokusem o odstranění zaseknutých zbytků rostlin mezi noži uvolněte obě spínací páky (5 a 6).

Při stříhání žahavých nebo pichlavých rostlin používejte ochranné rukavice.

Nepokoušejte se stříhat stonky nebo větvičky, které jsou pro nože nůžek příliš velké.

STŘÍHÁNÍ HORNÍ ČÁSTI KEŘE

Používejte široký obloukový pohyb (viz obr.

E1). Nejlepší pracovní výsledky zaručuje mírný náklon nožů nůžek ve směru prováděného pohybu.

STŘÍHÁNÍ BOČNÍ ČÁSTI KEŘE

Při stříhání boční části živého plotu zahajte práci u jeho spodní části a stříhejte směrem nahoru (viz obr. E2) tak, aby se živý plot nahoře zužoval dovnitř. Tento tvar odhalí větší část živého plotu, což má za následek jeho rovnoměrnější růst.

ÚDRŽBA

Před prováděním jakéhokoli seřízení, opravy nebo údržby vždy vyjměte z nářadí baterii.

Ve vašem nářadí nejsou žádné díly, jejichž opravu by mohl provádět uživatel. Nikdy nepoužívejte při čištění vašeho elektrického nářadí vodu nebo chemické čisticí prostředky. Očistěte a očištěte nářadí suchým hadříkem. Vždy ukládejte toto elektrické nářadí na suchém místě. Udržujte v čistotě větrací otvory motoru. Udržujte v čistotě všechny ovládací prvky.

OCHRANA ŽIVOTNÍHO PROSTŘEDÍ



Vysloužilé elektrické přístroje nevyhazujte společně s domovním odpadem.

Nářadí recyklujte ve sběrnách k tomu účelu zřízených. O možnostech recyklace se informujte na místních úřadech nebo u prodejce.

PROHLÁŠENÍ O SHODĚ

My,
POSITEC Germany GmbH
Konrad-Adenauer-Ufer 37
50668 Köln

Tímto prohlašujeme, že výrobek
Popis: **Bez kabelový plotostřih WORX**
Typ: **WG259E WG259E.5 WG259E.9**
WG260E WG260E.9 (230-269 -
označení strojního zařízení, zástupce
akumulátorových nůžek na živé ploty)
Funkce **Stříhání živých plotů a křovin**

Splňuje požadavky následujících směrnic
2006/42/EC, 2014/30/EU, 2011/65/EU,
2000/14/EC upravená směrnicí 2005/88/EC

2000/14/EC upravená směrnicí 2005/88/EC
- Postup posuzování shody podle **Dodatek V**
- Měřená úroveň akustického výkonu
87.1dB(A)
- Deklarovaná zaručená úroveň akustického výkonu **90dB(A)**

Použité normy:

EN 60745-1
EN ISO 3744
EN 55014-2

EN 60745-2-15
EN 55014-1

Osoba odpovídající za vytvoření technické dokumentace:

Jméno Russell Nicholson
Adresa Positec Power Tools (Europe)
Ltd, PO Box 6242, Newbury, RG14 9LT,
UK



Suzhou 2017/06/22

Allen Ding

Zástupce vrchní konstrukční kanceláře, Testování
& Certifikace

BEZPEČNOSŤ VÝROBKU

VŠEOBECNÉ BEZPEČNOSTNÉ VAROVANIA NA POUŽÍVANIE ELEKTRICKÉHO NÁRADIA



VAROVANIE: prečítajte všetky bezpečnostné varovania a

inštrukcie. Chyba pri sledovaní varovaní a inštrukcií môže viesť k elektrickému šoku, vypuknutiu požiaru a/alebo k vážnym zraneniam.

Odložte si všetky varovania a inštrukcie pre budúcu potrebu.

Výraz „elektrické ručné náradie“ vás vo varovaniach odkazuje buď na náradie na elektrický pohon (napájané z elektrickej siete) alebo na akumulátorové náradie (napájané z akumulátora).

1) BEZPEČNOSŤ NA PRACOVISKU

- a) **Udržujte pracovisko čisté a dobre osvetlené.** Pracovisko plné nepotrebných predmetov alebo slabo osvetlené zvyšuje možnosť úrazu.
- b) **Nepoužívajte elektrické ručné náradie v prostredí náchylnom na explózie, ako napríklad v prítomnosti horľavých tekutín, plynov alebo prachu.** Elektrické ručné náradie vytvára iskry, ktoré môžu vznietiť prach alebo výpary.
- c) **Udržujte deti a prizerajúcich sa v dostatočnej vzdialenosti pri práci s elektrickým ručným náradím.** Strata pozornosti môže viesť k strate kontroly nad náradím.

2) BEZPEČNOSŤ PRI PRÁCI S ELEKTRINOU

- a) **Prípojky elektrického ručného náradia musia byť vhodné so zástrčkami.** Nemodifikujte prípojku žiadnym spôsobom. **Nepoužívajte spolu s uzemneným ručným náradím žiadne adaptérové prípojky, ktoré neumožňujú ochranu uzemnením.** Pôvodné prípojky a k nim prislúchajúce

zástrčky znižujú riziko úrazu elektrickým prúdom.

- b) **Vyhýbajte sa kontaktu s uzemnenými povrchmi, ako napríklad rúrkami, radiátormi, sporákmi a chladničkami.** Keď je vaše telo spojené s uzemneným predmetom alebo stojí na uzemnenom území, je zvýšené riziko elektrického šoku.
- c) **Nevystavujte ručné náradie dažďu alebo vlhkým podmienkam.** Keď sa voda dostane pod povrch elektrického ručného náradia, je zvýšené riziko elektrického šoku.
- d) **Nezaobchádzajte s káblom prípojky necitlivo. Nikdy si nepriťahuje elektrické ručné náradie k sebe pomocou kábla, neťahajte ho za sebou pomocou kábla a nevytrhávajte kábel zo zástrčky aby ste ručné náradie vypli.** Nevystavujte kábel vysokým teplotám, oleju, ostrým hranám alebo pohyblivým častiam. Poškodené alebo zamotané káble môžu viesť k zvýšenému riziku elektrického šoku.
- e) **Pri práci s ručným náradím v exteriéri použite predĺžovací kábel vhodný na použitie v exteriéri.** Použitím kábla vhodného na použitie v exteriéri redukuje riziko vzniku elektrického šoku.
- f) **Pokiaľ je práca s ručným náradím vo vlhkých podmienkach nevyhnutná, použite napájanie chránené ističom typu prúdový chránič (RCD).** Použitie RCD ističa redukuje riziko vzniku elektrického šoku.
- ### 3) OSOBNÁ BEZPEČNOSŤ
- a) **Buďte sústredení, sledujte, čo robíte, a pri práci s ručným náradím sa riaďte zdravým rozumom. Nepoužívajte ručné náradie, keď ste unavení alebo pod vplyvom omamných látok, alkoholu alebo liekov.** Moment nepozornosti pri práci s ručným náradím môže viesť k vážnemu osobnému zraneniu.
- b) **Použite osobné ochranné pomôcky. Vždy noste ochranu očí.** Ochranné

pomôcky, ako napríklad protiprachová maska, topánky s protišmykovou podrážkou alebo chrániče sluchu použité v príslušných podmienkach pomáhajú redukovať vážne osobné zranenia.

- c) **Predíd'te neúmyselnému zapnutiu. Uistite sa, že prepínač je vo vypnutej pozícii, pred tým, než zapojíte náradie do elektriny a/alebo k akumulátoru, pri zdvihnutí alebo nosení náradia.** Nosenie náradia s prstom na prepínači alebo aktívneho náradia, ktoré je zapnuté, zvyšuje možnosť úrazu.
- d) **Odstráňte akékoľvek nastavovacie kľúče alebo kľúče na matice a skrutky pred tým, než zapnete ručné náradie.** Nastavovací alebo iný kľúč ponechaný pripavený na rotujúcej časti ručného náradia môže spôsobiť osobný úraz.
- e) **Nepreceňujte sa. Udržujte si stabilitu a pevnú zem pod nohami za každých podmienok.** Umožňuje vám to lepšiu kontrolu nad ručným náradím v neočakávaných situáciách.
- f) **Oblečte sa náležite. Nenoste voľné oblečenie alebo šperky. Udržujte svoje vlasy, oblečenie a rukavice vzdialené od pohyblivých častí.** Voľné oblečenie, šperky alebo dlhé vlasy sa môžu do pohyblivých častí zachytiť.
- g) **Pokiaľ sú zariadenia nastavené na spojenie so zariadeniami na zachytávanie a extrakciu prachu, uistite sa, že sú náležite využitú a pripojené.** Použitím zberača prachu redukujete riziká spojené s prachom.

4) POUŽITIE A ÚDRŽBA RUČNÉHO NÁRADIA

- a) **Nepreť'ažujte ručné náradie. Použite správne ručné náradie na danú činnosť.** Správne ručné náradie správi prácu lepšie a v medziach, na ktoré bolo navrhnuté.
- b) **Nepoužívajte ručné náradie, pokiaľ sa prepínač neprepína medzi zapnutím a vypnutím.** Akékoľvek ručné náradie, ktoré nie je kontrolovateľné prepínačom, je nebezpečné a musí byť opravené.

- c) **Odpojte prípojku ručného náradia od zdroja energie a/alebo akumulátora pred tým, než začnete robiť akékoľvek úpravy, vymieňať doplnky alebo uskladňovať ručné náradie.**

Takéto preventívne bezpečnostné opatrenia redukujú riziko náhodného zapnutia ručného náradia.

- d) **Keď ručné náradie nepoužívate, skladujte ho mimo dosahu detí a nedovoľte osobám, ktoré nemajú skúsenosti s prácou s ručným náradím alebo neboli oboznámené s týmito inštrukciami, dotýkať sa náradia.** Ručné náradie je nebezpečné v rukách netrénovanej osoby.
- e) **Údržba ručného náradia. Skontrolujte chybné pripojenia alebo spojenia pohyblivých častí, zlomené časti alebo iné okolnosti, ktoré by mohli ovplyvniť funkčnosť ručného náradia.** Pri poškodení musí byť pred použitím najprv elektrické ručné náradie opravené. Mnoho úrazov vzniká preto, že je elektrické ručné náradie zle udržiavané.
- f) **Udržujte rezacie nástroje ostré a čisté.** Náležite udržiavané rezacie nástroje s ostrými rezacími hranami sú menej náchylné na „zaseknutie“ a sú ľahšie ovládateľné.
- g) **Používajte elektrické náradie v súlade týmito pokynmi, berte pritom do úvahy pracovné podmienky a druh vykonávanej práce.** Ak sa elektrické náradie použije na iné účely, než na čo je určené, môže dochádzať k nebezpečným situáciám.

5) POUŽÍVANIE A STAROSTLIVOSŤ O BATÉRIOVÉ ELEKTRICKÉ NÁRADIE

- a) **Nabíjajte iba nabíjačkou určenou výrobcom.** Nabíjačka, ktorá je vhodná na jeden typ bloku batérií, môže pri použití s iným typom batérií spôsobiť požiar.
- b) **Elektrické náradie používajte iba s určeným typom bloku batérií.** Použitie akéhokoľvek iného typu batérií môže zvýšiť riziko zranenia a požiaru.
- c) **Ak sa blok batérií nepoužíva, neukladajte ho do blízkosti iných kovových predmetov, ako sú sponky**

na papier, mince, klúče, kince, skrutky alebo iné drobné kovové predmety, ktoré by mohli skratovať kontakty. Skratovanie kontaktov batérie môže viesť k popáleninám alebo vzniku požiaru.

- d) **Pri nesprávnom používaní môže z batérie vystreknúť kvapalina; vyhýbajte sa styku s ňou. Ak dôjde k styku kvapaliny s pokožkou, opláchnite zasiahnuté miesto vodou.** Ak sa kvapalina dostane do očí, ihneď vyhľadajte lekársku pomoc. Kvapalina, ktorá unikla z batérie, môže spôsobiť podráždenie a poleptanie.

6) SERVIS

- a) **Servisné práce na náradí nechajte vykonať kvalifikovaných pracovníkov s použitím originálnych náhradných dielov.** Výsledkom bude trvalá bezpečnosť pri práci s elektrickým náradím.

VAROVANIA TÝKAJÚCE SA NOŽNÍC NA ŽIVÉ PLOTY

- 1. Udržujte všetky časti tela v bezpečnej vzdialenosti od pohybujúcich sa nožov. Ak sú nože nožnic v pohybe, neodstraňujte ostrihaný materiál a nedržte materiál, ktorý budete strihať. Pred odstránením zaseknutého materiálu sa uistite, či je spínač v polohe vypnuté.** Chvíľková nepozornosť pri práci s nožnicami na živé ploty môže viesť k spôsobeniu vážneho zranenia.
- 2. Prenášajte nožnice na živé ploty za rukoväť a vždy so zastavenými nožmi nožnic. Pri preprave alebo pri uložení nožnic na živé ploty vždy nasadte na nože nožnic ochranné puzdro.** Správna manipulácia s nožnicami na živé ploty zníži riziko možného zranenia osôb, ktoré by bolo spôsobené nožmi nožnic.
- 3. Pri práci, počas ktorej sa môžu nože nožnic dostať do kontaktu so**

skrytými vodičmi, držte elektrické náradie vždy iba za izolované plochy. Kontakt nožov so „živým“ vodičom spôsobí, že neizolované kovové časti náradia budú taktiež „živé“, čo spôsobí obsluhu úraz elektrickým prúdom.

- 4. Skontrolujte živý plot, či neobsahuje cudzie prvky, ako sú napríklad natiahnuté dróty.**
- 5. Pri práci s nožnicami na plot používajte obidve ruky.** Držanie nožnic iba jednou rukou vedie k strate kontroly a vzniku vážneho úrazu.

BEZPEČNOSTNÉ VAROVANIA TÝKAJÚCE SA BATÉRIÍ

- a) Nepokúšajte sa demontovať, rozoberať alebo rozrezávať batérie alebo jej články.**
- b) Batériu neskratujte. Neukladajte batérie náhodne v škatuliach alebo v zásuvkách, kde by mohlo dôjsť k ich vzájomnému skratovaniu alebo k skratovaniu spôsobenému inými predmetmi.** Ak sa batéria nepoužíva, udržujte ju v bezpečnej vzdialenosti od sponiek na papieri, mincí, kľúčov, klinec, skrutiek alebo iných malých kovových predmetov, ktoré môžu spôsobiť prepojenie kontaktov batérie. Skratovanie kontaktov batérie môže spôsobiť popáleniny alebo požiar.
- c) Nevystavujte batériu pôsobeniu tepla alebo ohňa. Vyvarujte sa skladovania batérií na otvorenom slnku.**
- d) Nevystavujte batériu mechanickým rázom.**
- e) Ak dôjde k úniku kvapaliny z batérie, zabráňte tomu, aby sa táto kvapalina dostala do kontaktu s pokožkou alebo aby zasiahla oči. Ak dôjde k takému kontaktu, zasiahnuté miesto umyte značným množstvom vody a vyhľadajte lekárske ošetrenie.**
- f) Ak dôjde k požitiu kvapaliny z**

batérie, vyhl'adajte okamžite lekárske ošetroenie.

- g) Udržujte batérie čisté a suché.
- h) Ak sú svorky batérie znečistené, utrite ich čistou a suchou handričkou.
- i) Batéria musí byť pred použitím nabitá. Vždy postupujte podľa uvedených pokynov a používajte správny postup nabíjania.
- j) Nenechávajte batériu nabíjať, ak nebude batéria použitá.
- k) Po dlhodobom uložení budete možno musieť vykonať niekoľko cyklov nabíjania a vybíjania, aby batéria dosiahla svoj maximálny výkon.
- l) Batéria poskytuje najvyšší výkon, ak sa používa pri bežnej izbovej teplote ($20^{\circ}\text{C} \pm 5^{\circ}\text{C}$).
- m) Pri likvidácii batérií oddel'te od seba batérie s odlišnými elektrochemickými systémami.
- n) Vykonávajte nabíjanie iba v nabíjačke, ktorá je špecifikovaná spoločnosťou WORX. Nepoužívajte inú nabíjačku, než je nabíjačka špeciálne dodaná na použitie s týmto zariadením. Nabíjačka, ktorá je vhodná pre jeden typ batérie, môže pri použití iného typu batérie vytvárať riziko spôsobenia požiaru.
- o) Nepoužívajte žiadnu batériu, ktorá nie je určená na použitie s týmto zariadením.
- p) Ukladajte batérie mimo dosahu detí.
- q) Uschovajte originálnu dokumentáciu k tomuto výrobku na budúce odkazy.
- r) Ak sa zariadenie nepoužíva, vyberte z neho batériu.
- s) Vykonávajte riadnu likvidáciu batérie.

SYMBOLY

	Varovanie
	Kvôli zníženiu rizika poranenia je potrebné, aby si používateľ najprv prečítal návod
	Používajte ochranu sluchu
	Používajte ochranné prostriedky zraku
	Používajte protiprachovú masku
	Udržujte ruky v bezpečnej vzdialenosti
	Pred vykonávaním akéhokoľvek nastavenia, opravy alebo údržby vždy vyberte z náradia batériu.
 Li-Ion	Batérie nezahadzujte. Vyčerpané batérie odnesť do miestneho zberného (recyklačného) miesta špeciálneho odpadu
	Nevystavujte dážďu
	Nevystavujte dažďu alebo vode
	Nevystavujte ohňu
	Elektrické výrobky sa nesmú likvidovať spolu s domácim odpadom. Recyklujte v zberných miestach na tento účel zriadených. O možnosti recyklácie sa informujte na miestnych úradoch alebo u predajcu.


x1NR18/65-y: Valcové batérie Li-Ion s maximálnym priemerom 18 mm a maximálnou výškou 65 mm; „x“ predstavuje počet článkov so sériovým zapojením, ak je iba 1, použije sa medzera; „y“ predstavuje počet článkov s paralelným zapojením, ak je iba 1, použije sa medzera.

1. **BATÉRIA**
2. **ZADNÁ RUKOVÄŤ**
3. **PREDNÁ RUKOVÄŤ**
4. **BEZPEČNOSTNÝ KRYT**
5. **PREDNÁ SPÍNACIA PÁKA (KOMPLEXNÁ FUNKCIA SPÍNAČA)**
6. **ZADNÁ SPÍNACIA PÁKA**
7. **UVOLŇOVACIA ZÁPADKA BATÉRIE**
8. **NOŽE NOŽNÍC**
9. **OCHRANNÉ PUZDRO ***

* Štandardná dodávka neobsahuje všetko zobrazené či opísané príslušenstvo.

TECHNICKÉ ÚDAJE

Typ **WG259E WG259E.5 WG259E.9 WG260E WG260E.9** (230-269-označenie strojového zariadenia, zástupca akumulátorových nožníc na živé ploty)

	WG259E	WG259E.5	WG259E.9	WG260E	WG260E.9
96 Napätie	220-240V~50/60Hz				
Napájanie	20V  Max** Lithium				
Otáčky naprázdno	2200/min				
Max. dĺžka lišty nožníc	52cm			61cm	
Max. priemer vetvy	14mm			19mm	
Čas nabíjania	5hr approx.	1hr approx.	/	5hr approx.	/
Hmotnosť stroja	2.5kg	2.5kg	2.1kg	2.5kg	2.1kg

**Napätie merané bez pracovného zaťaženia. Pôvodné napätie batérie dosahuje maximálne 20V. Menovité napätie je 18V.

INFORMÁCIE O HLUKU/VIBRÁCIÁCH

Nameraný akustický tlak	77dB(A)
Nameraný akustický výkon	90dB(A)
K _{DA}	3.0dB(A)
Použite chrániče sluchu, ak akustický tlak presiahne	80dB(A)



INFORMÁCIE O VIBRÁCIÁCH

Výsledné celkové hodnoty pre vibrácie (suma pre trojosový vektor) stanovené podľa normy EN 60745:

Typická nameraná hodnota vibrácií $a_n = 2.2 \text{ m/s}^2$

Odchýlka $K = 1.5 \text{ m/s}^2$

Deklarovaná celková hodnota vibrácií sa môže použiť na vzájomné porovnanie jednotlivých náradí a takisto aj na predbežné stanovenie času práce.

! **VÝSTRAHA:** Hodnota emisie vibrácií počas skutočného používania elektrického náradia sa môže odlišovať od deklarovanej hodnoty, a to v závislosti od spôsobu používania náradia a v závislosti od nasledujúcich príkladov odchýlok od spôsobu používania náradia:
Akým spôsobom sa náradie používa a aké materiály budú rezané alebo vŕtané.
Náradie je v dobrom stave a je dobre udržiavané.
Používanie správneho príslušenstva v spojení s náradím a zabezpečenie jeho ostrosti a dobrého stavu.
Tesnosť zovretia rukovätí a používanie doplnkov proti vibráciám.
Používanie náradia na podľa konštrukcie určený účel a v súlade s pokynmi.

Toto náradie môže vyvolať syndróm trasenia rúk a ramien, pokiaľ jeho používanie nie je správnym spôsobom riadené.

! **VÝSTRAHA:** Kvôli presnosti by mal odhad úrovne expozície v skutočných podmienkach používania obsahovať tiež všetky súčasti prevádzkového cyklu, ako sú doby, počas ktorých je náradie vypnuté a počas ktorých beží na voľnobehu, a to mimo skutočného vykonávania práce. Tým môže dôjsť k značnému zníženiu úrovne expozície počas celkového prevádzkového času. Pomôžte minimalizovať riziko expozície účinkom vibrácií.
Náradie udržiavajte v súlade s týmto návodom a udržiavajte ho dobre namazané (ak je to potrebné). Ak sa náradie používa často, investujte do príslušenstva zabraňujúceho vibráciám.
Vyhnite sa používaniu náradia pri teplote 10°C a menej.
Prácu si naplánujte tak, aby ste akékoľvek používanie náradia pri vysokých vibráciách rozdelili na niekoľko dní.


97

PRÍSLUŠENSTVO

	WG259E	WG259E.5	WG259E.9	WG260E	WG260E.9
Ochranné puzdro	1	1	1	1	1
Bezpečnostný kryt	1	1	1	1	1
Nabíjačka	1 (WA3760)	1 (WA3860)	/	1 (WA3760)	/
Batéria	1 (WA3551.1)	1 (WA3551.1)	/	1 (WA3551)	/


Odporúčame príslušenstvo kúpiť v rovnakom obchode ako samotné náradie. Podrobnejšie informácie sú priložené k jednotlivému príslušenstvu. Odborní predavači vám pomôžu a poradia.

POKYNY NA OBSLUHU

 **POZNÁMKA:** Pred tým, ako náradie použijete, prečítajte si návod na použitie.

URČENÉ POUŽITIE


Toto náradie je určené na použitie v domácnostiach na strihanie a úpravu živých plotov a krovín.

 **VAROVANIE! NEPOUŽÍVAJTE TOTO NÁRADIE BEZ RIADNE UPEVNENÉHO KRYTU A PREDNEJ RUKOVÄTI.**

MONTÁŽ A OBSLUHA

VYKONÁVANÝ ÚKON	OB- RÁZOK
ZOSTAVENIE	
MONTÁŽ BEZPEČNOSTNÉHO KRYTU	Pozrite obr. A
MONTÁŽ PREDNEJ RUKOVÄTI POZNÁMKA: Skrutky rukoväte musia smerovať k ochrannému krytu. Ak bude predná rukoväť zostavená smerom dozadu, náradie nebude možné spustiť.	Pozrite obr. B1, B2, B3
VYBRATIE ALEBO VLOŽENIE BATÉRIE	Pozrite obr. C
NABÍJANIE BATÉRIE Batéria NIE JE NABITÁ a pred použitím je potrebné ju úplne nabiť. Podrobné údaje nájdete v príručke k nabíjačke: WA3760 (iba pre WG259E WG260E) alebo WA3860 (iba pre WG259E.5)	
OBSLUHA	
SPUSTENIE A ZASTAVENIE	Pozrite obr. D1, D2

STRIHANIE HORNEJ ČASTI KRA

 **VAROVANIE:** Ak niektoré súčasti úplne chýbajú alebo sú poškodené alebo zlomené, nepoužívajte akumulátorové nožnice do tej doby, kým nebudú všetky poškodené diely vymenené alebo opravené. V opačnom prípade môže dôjsť k vážnemu zraneniu. **NEPOUŽÍVAJTE TOTO NÁRADIE BEZ RIADNE UPEVNENÉHO KRYTU A PREDNEJ RUKOVÄTI.**

Pozrite obr. E1

STRIHANIE BOČNEJ ČASTI KRA

Pozrite obr. E2

MAZANIE NOŽOV NOŽNÍC

Pozrite obr. F

AKO SA NOŽNICE NA ŽIVÉ PLOTY POUŽÍVAJÚ

Všimnite si, že predná spínacia páka môže byť aktivovaná z troch strán, čo vám poskytuje mnoho možností pre komfortný úchop. Pred každým použitím skontrolujte najskôr priestor, kde budete s nožnicami pracovať, a odstráňte všetky predmety, ktoré môžu byť odmrštené alebo ktoré by sa mohli namotať na nože nožníc. Pred spustením držte tieto nožnice na živé ploty vždy oboma rukami a tak, aby nože nožníc smerovali smerom od vás.

Ak striháte čerstvo obrastané živé ploty, používajte široké oblúkové pohyby tak, aby boli nové stonky navádzané priamo do nožov nožníc. (Pozri obr. E1 a E2)

Pred začatím strihania počkajte, pokiaľ nože nožníc nedosiahnu maximálne otáčky. Vždy pracujte v bezpečnej vzdialenosti od ostatných osôb a pevných predmetov, ako sú steny, veľké kamene, stromy, vozidlá atď.

Ak dôjde k zastaveniu nožov nožníc, okamžite tieto nožnice zastavte. Pred pokusom o odstránenie zaseknutých zvyškov rastlín medzi nožmi uvoľnite obe spínacie páky (5 a 6). Pri strihaní prhlivých alebo pichľavých rastlín používajte ochranné rukavice. Nepokúšajte sa strihať stonky alebo vetvičky, ktoré sú pre nože nožníc príliš veľké.

STRIHANIE HORNEJ ČASTI KRA

Používajte široký oblúkový pohyb (pozri obr. E1). Najlepšie pracovné výsledky zaručuje mierny sklon nožov nožníc v smere vykonávaného pohybu.

STRIHANIE BOČNEJ ČASTI KRA



Pri strihaní bočnej časti živého plotu začnite prácu v jeho spodnej časti a strihajte smerom hore (pozri obr. E2) tak, aby sa živý plot hore zužoval dovnútra. Tento tvar odhalí väčšiu časť živého plotu, čo má za následok jeho rovnomernejšiu rásť.

ÚDRŽBA

Pred vykonávaním akéhokoľvek nastavenia, opravy alebo údržby vždy vyberte z náradia batériu.

Vo vašom náradí nie sú žiadne diely, ktorých opravu by mohol vykonávať používateľ. Nikdy nepoužívajte pri čistení vášho elektrického náradia vodu alebo chemické čistiace prostriedky. Utrite a očistite náradie suchou handričkou. Vždy ukladajte toto elektrické náradie na suchom mieste. Udržujte v čistote vetracie otvory motora. Udržujte v čistote všetky ovládacie prvky.

OCHRANA ŽIVOTNÉHO PROSTREDIA

 Elektrické výrobky sa nesmú likvidovať spolu s domácim odpadom. Recyklujte  v zberných miestach na tento účel zriadených. O možnosti recyklácie sa informujte na miestnych úradoch alebo u predajcu.

UYHLÁSENIE O ZHODE

My,
POSITEC Germany GmbH
Konrad-Adenauer-Ufer 37
50668 Köln

Týmto vyhlasujeme, že výrobok
Popis **Akumulátorový krovinoz WORX**
Typ **WG259E WG259E.5**
WG259E.9 WG260E WG260E.9
(230-269-označenie strojového zariadenia, zástupca akumulátorových nožníc na živé ploty)
Funkcia **Strihanie živých plotov a krovín**

Spĺňa požiadavky nasledujúcich smerníc
2006/42/EC, 2014/30/EU, 2011/65/EU, 2000/14/ES upravená smernicou 2005/88/ES

2000/14/ES upravená smernicou 2005/88/ES

- Postup posudzovania zhody podľa

Dodatok V

- Meraná úroveň akustického výkonu

87.1dB(A)

- Deklarovaná zaručená úroveň akustického výkonu **90dB(A)**

Použité normy:

EN 60745-1

EN 60745-2-15

EN ISO 3744

EN 55014-1

EN 55014-2

Osoba zodpovedajúca za vytvorenie technickej dokumentácie:

Meno: Russell Nicholson

Adresa: Positec Power Tools (Europe) Ltd, PO Box 6242, Newbury, RG14 9LT, UK




Suzhou 2017/06/22

Allen Ding

Zástupca vrchnej konštrukčnej kancelárie,
Testovanie & Certifikácia

SEGURANÇA DO PRODUTO

AVISOS GERAIS DE SEGURANÇA DE FERRAMENTAS ELÉCTRICAS

 **ATENÇÃO!** Leia atentamente as seguintes instruções. A não observância destas instruções pode causar choque eléctrico, incêndio e/ou lesões graves.

Guarde estas instruções para referência futura.

Os termos “ferramenta eléctrica” utilizados em todos os avisos constantes destas instruções referem-se à sua ferramenta eléctrica accionada por corrente eléctrica (com cabo de alimentação) ou ferramenta eléctrica accionada por bateria (sem cabo de alimentação).

1. LOCAL DE TRABALHO

- a) Mantenha o local de trabalho limpo e bem arrumado.** Áreas com pouca iluminação e desordenadas podem provocar acidentes.
- b) Não utilize o aparelho em locais onde existam líquidos, gases ou poeiras inflamáveis e onde exista o risco de explosão.** As ferramentas eléctricas produzem faíscas que podem inflamar poeiras ou gases.

c) Mantenha as pessoas e particularmente as crianças afastadas da ferramenta eléctrica durante o seu funcionamento. Qualquer distração pode fazê-lo perder o controlo do berbequim.

2. SEGURANÇA ELÉCTRICA

a) A ficha do berbequim deve encaixar bem na tomada de alimentação. Nunca modifique fichas, seja de que maneira for. Não utilize nenhuma ficha de adaptação com ferramentas eléctricas que tenham ligação à terra. Fichas não modificadas e tomadas de corrente adequadas reduzem o risco de

choque eléctrico

- b) Evite o contacto do corpo com superfícies ligadas à terra como tubos, aquecedores, fogões e frigoríficos.** Existe um aumento do risco de choque eléctrico se o seu corpo estiver em contacto com a terra ou a massa.
- c) Não exponha este equipamento à chuva ou humidade.** A infiltração de água num aparelho eléctrico aumenta o risco de choque eléctrico.
- d) Não maltrate o cabo de alimentação. Nunca utilize o cabo para transportar, puxar ou desligar o aparelho da tomada de corrente. Mantenha o cabo afastado de fontes de calor, óleos, arestas afiadas ou peças em movimento.** Cabos danificados ou enredados aumentam o risco de choque eléctrico.
- e) Quando trabalhar com uma ferramenta eléctrica ao ar livre, use um cabo de extensão adequado para utilização no exterior.** A utilização de um cabo adequado para uso exterior reduz o risco de choque eléctrico.
- f) Se não puder evitar a utilização de uma ferramenta eléctrica num local húmido, utilize uma fonte de alimentação protegida contra corrente residual.** A utilização de um dispositivo com protecção contra corrente residual reduz o risco de choque eléctrico.

3. SEGURANÇA DE PESSOAS

- a) Esteja atento, observe o que está a fazer e seja prudente sempre que trabalhar com uma ferramenta eléctrica. Não utilize nunca uma ferramenta eléctrica quando estiver cansado ou sob a influência de drogas, álcool ou medicamentos.** Um momento de desatenção quando se utiliza uma ferramenta eléctrica pode causar lesões graves.
- b) Utilize equipamentos de segurança. Use sempre óculos de protecção.** Equipamentos de segurança, tais como máscaras protectoras, sapatos de sola antiderrapante, capacetes ou protecções

auriculares devidamente utilizados reduzem o risco de lesões.

- c) Evite o arranque accidental da ferramenta. Certifique-se de que o comutador de alimentação está desligado antes de ligar a ferramenta à fonte de alimentação e/ou à bateria, antes de pegar nela ou antes de a transportar.** Se mantiver o dedo no interruptor ou accionar o aparelho enquanto este estiver ligado podem ocorrer acidentes.
- d) Remova quaisquer chaves de ajuste ou de porcas antes de ligar a ferramenta eléctrica.** Chaves de porcas ou de ajuste fixadas a peças móveis do berbequim podem causar lesões.
- e) Não exceda as suas próprias capacidades. Mantenha sempre o corpo em posição firme e de equilíbrio,** o que lhe permite controlar melhor a ferramenta eléctrica em situações imprevistas.
- f) Use roupa apropriada. Não use vestuário solto ou artigos de joalheria. Mantenha o cabelo, vestuário e luvas afastados de peças em movimento.** Roupas soltas, artigos de joalheria ou cabelos compridos podem ser agarrados por peças em movimento.
- g) Se forem fornecidos dispositivos para a montagem de unidades de extracção ou recolha de resíduos, Assegure-se de que são montados e utilizados adequadamente.** A utilização destes dispositivos pode reduzir os perigos relacionados com a presença de resíduos.

4. UTILIZAÇÃO E MANUTENÇÃO DA FERRAMENTA ELÉCTRICA

- a) Não force a ferramenta. Utilize a ferramenta eléctrica apropriada para cada aplicação.** A utilização da ferramenta eléctrica apropriada executa o trabalho de forma melhor e mais segura, à velocidade para a qual foi concebida.
- b) Não utilize esta ferramenta se o interruptor estiver deficiente, não ligando ou desligando.** Qualquer ferramenta eléctrica que não possa ser controlada pelo interruptor é perigosa e deve

ser reparada.

- c) Desligue a ficha da fonte de alimentação e/ou remova a bateria da ferramenta antes de proceder a quaisquer ajustes, antes de mudar de acessórios ou antes de guardar a ferramenta.** Estas medidas de segurança preventivas reduzem o risco de activação accidental da ferramenta.
 - d) Quando não estiver a usar a ferramenta eléctrica, guarde-a fora do alcance das crianças e não deixe que esta seja utilizada por pessoas que não a conheçam, nem tenham lido as instruções.** As ferramentas eléctricas são perigosas nas mãos de utilizadores inexperientes.
 - e) Faça a manutenção de ferramentas eléctricas. Verifique quaisquer desalinhamentos, encaixes de peças móveis, quebras e outras condições que possam afectar o funcionamento. Se esta ferramenta estiver avariada, mande-a reparar antes a utilizar.** Muitos acidentes são causados pela manutenção deficiente de ferramentas eléctricas.
 - f) Mantenha as ferramentas de corte limpas e afiadas.** As ferramentas de corte com manutenção adequada e arestas de corte afiadas têm menos probabilidades bloquear e são mais fáceis de controlar.
 - g) Utilize a ferramenta eléctrica, acessórios, brocas, etc. em conformidade com estas instruções e da forma prevista para este tipo específico de ferramenta, tendo em conta as condições presentes e o trabalho a executar.** A utilização de ferramentas eléctricas para aplicações diferentes daquelas a que se destinam pode levar a situações de perigo.
- #### **5. UTILIZAÇÃO E MANUTENÇÃO DE FERRAMENTA ALIMENTADA POR CONJUNTO DE BATERIAS**
- a) Efectue o recarregamento do conjunto de baterias apenas com o carregador especificado pelo fabricante.** Um carregador para

determinado tipo de conjunto de bateria pode levar ao risco de incêndio se utilizado com outro tipo de conjunto de baterias.

- b) Utilize ferramentas eléctricas apenas com os tipos de conjuntos de baterias especificamente designados.** A utilização de quaisquer outros tipos de conjuntos de baterias pode levar a riscos de lesão ou incêndio.
- c) Quando não estiver a utilizar o conjunto de baterias, mantenha-o afastado de objectos metálicos como cliques, moedas, chaves, pregos, parafusos ou outros objectos metálicos de pequena dimensão, que possam fechar o contacto entre os terminais.** O curto-circuito de terminais de bateria pode provocar incêndios ou queimaduras.
- d) Em condições inadequadas, o electrólito das baterias pode verter. Evite o contacto. Se ocorrer algum contacto accidental, lave com água. Se o líquido entrar em contacto com os olhos, procure imediatamente aconselhamento médico.** O líquido das baterias pode provocar irritações de pele ou queimaduras.

6. ASSISTÊNCIA TÉCNICA

- a) A sua ferramenta eléctrica só deve ser reparada por um técnico de assistência qualificado e devem ser apenas utilizadas peças de substituição genuínas,** mantendo assim a segurança da ferramenta.

IMPORTANTES INSTRUÇÕES DE SEGURANÇA ADICIONAIS PARA O CORTA-SEBES

- 1. Mantenha todas as partes do corpo afastadas da lâmina do cortador. Não remova o material de corte nem segure no material a cortar quando as lâminas estiverem em movimento.**

Certifique-se de que o interruptor está desligado quando desbloquear material encravado. Um momento de desatenção enquanto opera o corta-sebes poderá resultar em lesões físicas graves.













- 2. Transporte o corta-sebes utilizando a pega com a lâmina do cortador imobilizada. Quando transportar ou armazenar o corta-sebes encaixe sempre a cobertura do dispositivo de corte.** O manuseamento apropriado do corta-sebes reduz a possibilidade de lesões físicas provocadas pelas lâminas do cortador.
- 3. Segure a ferramenta pelas superfícies de controlo isoladas ao executar uma operação onde a ferramenta cortante pode contactar com uma instalação eléctrica escondida.** O contacto com um fio eléctrico activo também passará a corrente eléctrica às partes de metal expostas da ferramenta e dar choque ao operador da mesma.
- 4. Verifique se a sebe contém objetos estranhos, por ex.: cercas de arame.**
- 5. Utilize as duas mãos quando estiver a operar o corta-sebes.** Se utilizar apenas uma mão para fazê-lo pode causar a perda de controlo e resultar em graves lesões físicas.

AVISOS DE SEGURANÇA PARA A BATERIA

- a) Não desmonte, abra ou corte as células da bateria.**
- b) Não submeta a bateria a curto-circuitos. Não armazene as baterias ao acaso numa caixa ou gaveta onde possam provocar um curto-circuito ou submetidas a curto-circuitos por materiais condutores.** Quando não estiver a utilizar a bateria, mantenha-a afastada de outros objectos metálicos, como cliques, moedas, chaves, pregos, parafusos ou outros pequenos objectos de metal, que possam realizar uma ligação de um terminal a outro. Um curto-circuito dos terminais da bateria pode provocar queimaduras ou um incêndio.
- c) Não exponha a bateria ao calor ou a incêndios. Evite o armazenamento à**

- exposição de luz solar directa.
- d) Não exponha a bateria ao choque eléctrico.
- e) Em casos de fugas na bateria, não permita que o líquido entre em contacto com a pele ou olhos. Caso entre em contacto, lave a área afectada com quantidades abundantes de água e procure aconselhamento médico.
- f) Procure imediatamente aconselhamento médico se ingerir uma célula ou bateria.
- g) Mantenha a bateria limpa e seca.
- h) Limpe os terminais da bateria com um pano limpo e seco em caso de sujidade.
- i) A bateria necessita de ser carregada antes de ser utilizada. Consulte sempre estas instruções e utilize o procedimento de carga correcto.
- j) Não mantenha a bateria a carregar quando não for utilizada.
- k) Após longos períodos de tempos de armazenamento, pode ser necessário carregar e descarregar a bateria diversas vezes para obter o desempenho máximo.
- l) A bateria regista o seu melhor desempenho quando é utilizada a uma temperatura ambiente normal ($20^{\circ}\text{C} \pm 5^{\circ}\text{C}$).
- m) Ao eliminar as baterias, mantenha as baterias com diferentes sistemas electroquímicos separadas umas das outras.
- n) Recarregue apenas com o carregador especificado pela WORX. Não utilize um carregador que não se encontra especificado para a utilização com o equipamento. Um carregador adequado para um determinado tipo de bateria pode provocar risco de incêndio quando é utilizado com outra bateria.
- o) Não utilize uma bateria que não se encontra concebida para a utilização com o equipamento.
- p) Mantenha a bateria fora do alcance das crianças.
- q) Preserve as informações originais do produto para futura referência.
- r) Retire a bateria do equipamento quando não estiver em utilização.
- s) Elimine-a de forma adequada.

SÍMBOLOS

	Atenção
	Para reduzir o risco de ferimentos o utilizador deve ler o manual de instruções
	Usar protecção para os ouvidos
	Usar protecção ocular
	Usar máscara contra o pó
	Mantenha as mãos afastadas da ferramenta
	Remova a bateria antes de fazer qualquer ajuste, reparação ou manutenção
 Li-Ion	Não elimine as baterias. As baterias gastas devem ser entregues no ponto de recolha ou de reciclagem local
	Proteger contra chuva
	Não expor as baterias à chuva ou água
	Não queimar
	Os equipamentos eléctricos não devem ser depositados com o lixo doméstico. Se existirem instalações adequadas deve reciclá-los. Consulte a sua autoridade local para tratamento de lixos ou fornecedor para obter aconselhamento sobre reciclagem.

xINR18/65-y: Pilhas de lítio-íão cilíndricas com diâmetro máx. de 18mm e altura máx. de 65mm; "x" representa um número de série das pilhas ligadas, em branco se 1; "-y" representa um número de células paralelas ligadas, em branco se 1.

1. CONJUNTO DE BATERIAS

2. UCHWYT TYLNY

3. UCHWYT PRZEDNI

4. OSŁONA OCHRONNA

5. ALAVANCA DA PEGA FRONTAL (PARA COMUTAÇÃO DE VÁRIAS FUNÇÕES)

6. TYLNA DŹWIGNIA PRZEŁĄCZNIKA

7. FECHO DO CONJUNTO DE BATERIAH


8. OSTRZE*

9. OSŁONA OSTRZA*

* Acessórios ilustrados ou descritos não estão totalmente abrangidos no fornecimento.

DANE TECHNICZNE

Typ **WG259E WG259E.5 WG259E.9 WG260E WG260E.9** (230-269-designação de aparelho mecânico, representativo de Corta-sebes sem fio)

	WG259E	WG259E.5	WG259E.9	WG260E	WG260E.9
Voltagem	220-240V~50/60Hz				
Poder	20V  Max** Lithium				
Velocidade sem carga	2200/min				
Max. comprimento de corte	52cm			61cm	
Max. diâmetro de corte	14mm			19mm	
Duração de carga	5hr approx.	1hr approx.	/	5hr approx.	/
Diâmetro de corte	2.5kg	2.5kg	2.1kg	2.5kg	2.1kg

**Tensão medida sem carga. A tensão inicial da bateria atinge o máximo de 20 volts. A tensão nominal é de 18 volts.

DADOS SOBRE RUÍDOS E VIBRAÇÕES

Pressão de som avaliada	77dB(A)
Potência de som avaliada	90dB(A)
K_{pA}	3.0dB(A)
	80dB(A)

Use protecção de ouvidos quando a pressão for superior a



INFORMAÇÃO DE VIBRAÇÃO

Os valores totais de vibração são determinados de acordo com a normativa EN 60745:

Valor da emissão da vibração $a_h=2.2\text{m/s}^2$

Instabilidade $K = 1.5\text{m/s}^2$

O valor total declarado da vibração poderá ser utilizado para comparar uma ferramenta com outra e poderá também ser utilizado numa avaliação preliminar de exposição.



AVISO: Os valores de emissão de vibração durante a utilização da ferramenta podem divergir dos valores declarados, dependendo da forma como a ferramenta é utilizada, dependendo dos exemplos seguintes e de outros modos de utilização:

A ferramenta estar em boas condições e bem conservada.

A utilização do acessório correcto para a ferramenta e a garantia de que está afiada e em boas condições.

A firmeza com que se segura nas pegas e se quaisquer acessórios vibratórios são utilizados. Se a ferramenta é utilizada para o objectivo para a qual foi concebida e segundo as instruções.

Esta ferramenta pode causar síndrome de vibração mão-braço, se não for adequadamente utilizada.



AVISO: Para ser preciso, uma estimativa do nível de exposição nas condições actuais de utilização devem ter em conta todas as partes do ciclo de operação, como tempos em que a ferramenta está desligada e quando está em funcionamento, mas inactiva, ou seja, não realizando o seu trabalho. Isto poderá reduzir significativamente o nível de exposição durante o período total de trabalho.

Como minimizar o seu risco de

Utilize SEMPRE formões, brocas e lâminas afiadas.

Mantenha esta ferramenta de acordo com as instruções e bem lubrificada (quando aplicável)

Se a ferramenta for utilizada regularmente, invista em acessórios anti-vibração.

Evite utilizar ferramentas a temperaturas de 10°C ou inferior.

Planeie o seu horário de trabalho de forma a distribuir a utilização de ferramentas de alta vibração ao longo de vários dias.


105

ACESSÓRIOS

	WG259E	WG259E.5	WG259E.9	WG260E	WG260E.9
Cobertura da lâmina	1	1	1	1	1
Dispositivo de segurança	1	1	1	1	1
Carregador	1 (WA3760)	1 (WA3860)	/	1 (WA3760)	/
Conjunto de baterias	1 (WA3551.1)	1 (WA3551.1)	/	1 (WA3551)	/


Recomendamos-lhe que compre todos os acessórios no fornecedor onde tenha adquirido a ferramenta. Para mais pormenores, consulte a embalagem destes. Os comerciais também pode ajudar e aconselhar.

FUNCIONAMENTO

 **NOTA:** Antes de utilizar a ferramenta, leia atentamente o livro de instruções.

UTILIZAÇÃO CONFORME AS DISPOSIÇÕES

O aparelho é destinado para cortar e podar sebes e arbustos em jardins domésticos e de passatempos.

 **ATENÇÃO! NÃO UTILIZE ESTA FERRAMENTA SEM COLOCAR A GUARDA E A PEGA FRONTAL.**

MONTAGEM E FUNCIONAMENTO

AÇÃO	FIGURA
MONTAGEM	
MONTAGEM DA Guarda SEGURA	Ver Fig. A
MONTAGEM DA PEGA FRONTAL NOTA: Os parafusos da pega têm de ficar virados para a barreira de proteção. Se a pega frontal estiver montada ao contrário, a ferramenta não liga.	Ver Fig. B1, B2, B3
COMO RETIRAR OU INSTALAR O CONJUNTO DE BATERIAS	Ver Fig. C
CARREGAMENTO DO CONJUNTO DE BATERIAS O seu conjunto de baterias está DESCARREGDO e tem de o carregar uma vez antes de o utilizar. Pode encontrar mais detalhes no manual do carregador: WA3760 (para WG259E WG260E) ou WA3860 (para WG259E.5)	
FUNCIONAMENTO	
LIGAR E PARAR	Ver Fig. D1, D2

CORTE DE TOPO  ATENÇÃO: Se existirem peças em falta, danificadas ou partidas, não opere o seu corta-sebes até todas as peças danificadas terem sido substituídas ou reparadas. Caso não o faça, o resultado pode ser a ocorrência de lesões graves. NÃO UTILIZE ESTA FERRAMENTA SEM COLOCAR A GUARDA E A PEGA FRONTAL.	Ver Fig. E1
CORTE LATERAL	Ver Fig. E2
LUBRIFICAÇÃO DA LÂMINA DE CORTE	Ver Fig. F

COMO UTILIZAR O SEUCORTA-SEBES

Tenha em atenção que a alavanca de comutação pode ser activada em três lados dando-lhe assim várias possibilidades de segurar na ferramenta conforme achar mais confortável. Antes de começar a cortar, inspeccione a área de corte e remova quaisquer objectos estranhos que possam ser projectados ou que possam ficar presos nas lâminas. Segure sempre no corta-sebes com ambas as mãos e com a lâmina afastada de si antes de o ligar.

Ao cortar ramos novos, efectue movimentos largos de forma a apanhar os ramos com a lâmina. (Ver E1 & E2)
Deixe que as lâminas de corte atinjam a sua velocidade máxima antes de cortar. Ao utilizar o corta-sebes, mantenha as lâminas de corte afastadas de pessoas e de objectos tais como paredes, pedras grandes, árvores, veículos, etc. Se a lâmina ficar encravada, pare imediatamente o corta-sebes. Liberte as duas alavancas (5 & 6) antes de tentar limpar os detritos acumulados nas lâminas.

Use luvas ao cortar ramos com espinhos ou que piquem.

Não tente cortar ramos que sejam demasiado grossos para a lâmina de corte.

CORTE DE TOPO

Use movimentos largos (Ver E1). Uma ligeira inclinação da lâmina de corte para baixo

proporciona melhores resultados.

CORTE LATERAL

Ao cortar a parte lateral de uma sebe, comece pela parte inferior e vá cortando para cima (ver E2), corte o topo de sebe de forma a que esta fique menos espessa na parte superior. Esta forma irá expor mais a sebe e resultar num crescimento mais uniforme.

MANUTENÇÃO

Remova a bateria antes de fazer qualquer ajuste, reparação ou manutenção.

A ferramenta, o conjunto de baterias e o carregador não têm peças susceptíveis de ser substituídas pelo utilizador. Nunca utilize água ou produtos químicos para limpar a sua ferramenta. Limpe-a com um pano macio. Guarde sempre a sua ferramenta num local seco. Mantenha as ranhuras de ventilação do motor devidamente limpas.

PROTEÇÃO SINCRONIZADA



Os equipamentos eléctricos não devem ser depositados com o lixo doméstico. Se existirem instalações adequadas deve reciclá-los. Consulte a sua autoridade local para tratamento de lixos ou fornecedor para obter aconselhamento sobre reciclagem.

DECLARAÇÃO DE CONFORMIDADE

Nós,
POSITEC Germany GmbH
Konrad-Adenauer-Ufer 37
50668 Köln

Declaramos que o produto

Descrição **WORX Corta-sebes sem fio**

Tipo **WG259E WG259E.5**

WG259E.9 WG260E WG260E.9

(230-269-designação de aparelho mecânico, representativo de Corta-sebes sem fio)

Função **Para aparar sebes e arbustos**

Cumpe as seguintes Directivas

2006/42/EC, 2014/30/EU, 2011/65/EU, 2000/14/EC rectificada em 2005/88/EC

2000/14/EC rectificada em 2005/88/EC

- Processo de Avaliação de Conformidade segundo **Annex V**

- Nível de Volume de Som Medido **87.1dB (A)**

- Nível de Volume de Som Garantido **90dB(A)**

107

Normas em conformidade com

EN 60745-1

EN 60745-2-15

EN ISO 3744

EN 55014-1

EN 55014-2

Pessoa autorizada a compilar o ficheiro técnico,

Nome Russell Nicholson

Endereço Positec Power Tools (Europe) Ltd, PO Box 6242, Newbury, RG14 9LT, UK



Suzhou 2017/06/22

Allen Ding

Engenheiro-chefe adjunto, Teste e Certificação

SÄKERHETSINSTRUKTIONER

GENERELLA SÄKERHETSVERNIN- GAR FÖR ELVERKTYG



WARNING! Läs alla instruktioner.

Följs inte alla nedanstående instruktioner kan det leda till elektriska stötar, brand och/eller allvarliga skador.

Spara alla varningar och instruktioner för framtida bruk.

Termene "strömförande verktyg" i alla varningsmeddelande nedan avser ditt (sladdverktyg) strömförande verktyg eller batteridrivna (sladdlösa) strömförande verktyg.

1) ARBETSOMRÅDET

- a) **Håll arbetsområdet rent och väl upplyst.** Skräpiga och mörka områden är skaderisker.
- b) **Använd inte strömförande verktyg i explosiva miljöer, som nära brandfarliga vätskor, gaser eller damm.** Strömförande verktyg skapar gnistor som kan antända damm eller ångor.
- c) **Håll barn och åskådare borta när du använder ett strömförande verktyg.** Distractioner kan göra att du förlorar kontrollen.

2) ELSÄKERHET

- a) **Stickkontaktarna till verktyget måste matcha eluttaget. Modifiera inte stickkontakten på något sätt. Använd inte adapterkontakter i samband med jordade strömförande verktyg.** Omodifierade stickkontakter och matchande eluttag minskar risken för elstötar.
- b) **Undvik kroppskontakt med jordade ytor som rör, element, spisar och kylskåp.** Det finns en större risk för elstötar om din kropp är jordad.
- c) **Exponera inte strömförande verktyg för regn eller fuktiga förhållanden.** Kommer det in vatten i ett strömförande verktyg ökar det risken för elstötar.
- d) **Missbruka inte sladden. Använd**

aldrig sladden för att bära, dra eller dra ut stickkontakten för det strömförande verktyget. Håll sladden borta från hetta, olja, skarpa kanter eller rörliga delar. Skadade eller tilltrasslade sladdar ökar risken för elstötar.

- e) **När du använder ett strömförande verktyg utomhus använder du en förlängningssladd som lämpar sig för utomhus bruk.** Använder du en sladd för utomhus bruk reducerar du risken för elstötar.
- f) **Om det inte går att undvika att driva ett elverktyg i en fuktig lokal, använd då en restströmsskyddad (RCD) strömtillförselanordning.** Användning av en RCD minskar risken för elektriska stötar.

3) PERSONLIG SÄKERHET

- a) **Var uppmärksam, håll ögonen på vad du gör och använd sunt förnuft när du använder ett strömförande verktyg. Använd inte ett strömförande verktyg när du är trött eller påverkad av droger, alkohol eller läkemedel.** En kort stund av uppmärksamhet med strömförande verktyg kan resultera i allvarliga personskador.
- b) **Använd säker utrustning.** Använd alltid skyddsglasögon. Säkerhetsutrustning som munskydd, halkfria skor, skyddshjälm eller hörselskydd som används när det behövs kommer att reducera personskador.
- c) **Förhindra ofrivillig start. Se till att kontakten är i off-läge innan du ansluter till strömkälla och/eller batterienhet, tar upp eller bär med dig verktyget.** Bär du strömförande verktyg med fingret på kontakten eller sätter i stickkontakten i eluttaget när kontakten är i PÅ-läge utgör det en skaderisk.
- d) **Ta bort alla skiftnycklar eller skruvnycklar innan du sätter på det strömförande verktyget.** En skift - eller skruvnyckel som lämnas kvar på en roterande del på ett strömförande verktyg kan orsaka personskador.
- e) **Sträck dig inte för långt. Bibehåll alltid fotfästet och balansen.** Detta

gör att du kan kontrollera verktyget bättre i oväntade situationer.

- f) Klä dig rätt. Använd inte löst sittande kläder eller smycken.** Håll ditt hår, dina kläder och handskar borta från rörliga delar. Lösa kläder, smycket eller långt hår kan snärjas in i rörliga delar.
- g) Om det på enheterna finns anslutning för dammsug och dammuppsamling ser du till att de är anslutna och används korrekt.** Använder du dessa anordningar reducerar det dammrelaterade faror.
- 4) ANVÄNDNING OCH UNDERHÅLL AV STRÖMFÖRANDE VERKTYG**
- a) Forcera inte det strömförande verktyget. Använd korrekt verktyg för arbetet.** Det korrekta verktyget kommer att göra jobbet bättre och säkrare med den hastighet den tillverkats för.
- b) Använd inte verktyget om kontakten inte sätter på eller stänger av det.** Alla strömförande verktyg som inte kan kontrolleras med kontakten är farliga och måste repareras.
- c) Koppla från stickkontakten från strömkällan och/eller batterienheten från elverktyget innan du utför några justeringar, ändrar i tillbehören eller magasinerar elverktygen.** Sådana förebyggande säkerhetsåtgärder reducerar risken för att du startar verktyget oavsiktligt.
- d) Förvara verktyget som inte används utom räckhåll för barn och låt inte någon person använda verktyget som inte känner till verktyget eller dessa anvisningar.** Strömförande verktyg är farliga i händerna på utbildade användare.
- e) Utför underhåll på verktygen. Kontrollera inriktningen eller fästet för rörliga delar, defekta delar och alla andra saker som kan påverka användningen av elverktyget. Om den skadats måste elverktyget repareras före användning.** Många olyckor orsakas av felaktigt underhållna elverktyg.
- f) Håll sigverktyget skarpa och rena.** Korrekt underhållna skärverktyg med skarpa

egg kommer inte att köra fast lika ofta och är enklare att kontrollera.

- g) Använd elverktyget, tillbehören och verktygsbitsen etc. i enlighet med dessa anvisningar och på det sätt som avsetts för varje typ av elverktyg. Ha också i åtanke arbetsförhållandena och arbetet som skall utföras.** Använder du elverktyg för åtgärder som skiljer sig det avsedda arbetet kan det resultera i riskfyllda situationer.
- 5) ANVÄNDNING OCH SKÖTSEL AV SLADDLÖSA VERKTYG**
- a) Ladda bara med den laddare som tillverkaren anger.** En laddare som passar en typ av batteripaket kan medföra en risk för brand när den används till ett annat batteripaket.
- b) Använd elverktyg bara tillsammans med det särskilt konstruerade batteripaketet.** Användning av andra batteripaket kan medföra en risk för personskadorna och brand.
- c) När batteripaketet inte används ska det hållas borta från metallföremål som gem, mynt, nycklar, skruvar och andra små metallföremål som kan skapa kontakt mellan batteripaketets poler och kortsluta det.** En kortslutning kan orsaka brännskador och brand.
- d) Under olyckliga omständigheter kan vätska komma ut ur batteriet. Undvik kontakt. Om den kommer i kontakt med huden, skölj med vatten. Om den kommer i kontakt med ögonen, skölj rikligt med vatten och sök läkarhjälp.** Vätska som kommer ut ur batteriet kan orsaka irritation eller brännskador.
- 6) UNDERHÅLL**
- a) Låt ditt elverktyg underhållas av en kvalificerad reparatör som bara använder äkta reservdelar.** Det kommer att garantera att elverktygets säkerhet bibehålls.

VIKTIG TILLAGD SÄKERHETSNOTERING FÖR DIN HÄCKTRIMMER

- Håll alla kroppsdelar borta från klippbladet. Ta inte bort klippmaterial eller håll i material som ska klippas medan bladen är i rörelse. Se till att brytaren är avstängd när du tar bort material som fastnat.** Ett ögonblick av ouppmärksamhet när du arbetar med ett motordrivet verktyg kan resultera i allvarliga personskador.
- Bär häcktrimmern i handtaget och med bladet stoppat. Vid transport eller förvaring av häcktrimmern sätt alltid på skyddet för klippenheten.** Korrekt hantering av häcktrimmern minskar risken för eventuellt personskador från klippbladen.
- Håll verktyget med isolerade greppytor när du utför ett arbete där sığverkytet kan komma i kontakt med dolda sladdar eller sin egen sladd.** Kommer man i kontakt med en strömförande sladd kommer det att leda in ström i verktygets metalldelar och ge användaren en elchock.
- Kontrollera att det inte finns några främmande föremål i häcken, t.ex. stålträdsstängsel.
- Använd båda händerna när du hanterar häcktrimmern.** Om du bara använder en hand är det möjligt att du tappar kontrollen över maskinen, vilket kan leda till allvarliga personskador.

SÄKERHETS- FÖRESKRIFTER FÖR BATTERIET

- Ta inte isär batteriet, öppna inte heller batteriet eller sära på battericeller.**
- Kortslut inte batteriet. Förvara inte batteriet på ett slarvigt sätt i en låda där det kan kortslutas eller skadas**





av ledande material. När batteriet inte används, håll det borta från metallobjekt, såsom pappersgem, pengar, nycklar, naglar, skruvar eller andra små metallobjekt som kan leda ström från en terminal till en annan. Om batteriterminalerna kortsluter varandra kan de förorsaka brandrisk.

- Exponera inte batteriet för eld eller värme. Undvik förvaring i direkt solljus.**
- Utsätt inte batteriet för mekanisk chock.**
- Om batteriet läcker, låt inte vätskan komma i kontakt med hud eller ögon. Om så ändå skulle hända, skölj med mycket vatten och sök läkarhjälp.**
- Sök omedelbar läkarhjälp om någon har svält en battericell eller batteriet.**
- Håll batteriet rent och torrt.**
- Torka av batteriet om det blir smutsigt med en torr, ren trasa.**
- Batteriet måste laddas före användning. Använd den här bruksanvisningen för att ladda batteriet korrekt.**
- Låt inte batteriet stå på laddning när det inte används.**
- Efter lång tids användning kan det bli nödvändigt att ladda och ladda ur batteriet många gånger för att nå maximal prestanda.**
- Batterier fungerar bäst när de används vid normal rumstemperatur (20 °C ± 5 °C).**
- När du kasserar batteriet, se till att hålla batterier med olika elektrokemiska system ifrån varandra.**
- Ladda endast med laddare av varumärket WORX. Använd ingen annan laddare än den som specifikt ska användas med det här batteriet.** En laddare som passar för en viss typ av batteri kan förorsaka brandrisk vid användning tillsammans med ett annat batteri.
- Använd inte ett batteri som inte är avsett för användning med det här verktyget.**
- Håll batteriet borta från barn.**

- q) Behåll den ursprungliga bruksanvisningen för framtida användning.
- r) Plocka ur batteriet från verktyget då det inte används.
- s) Kassera batteriet på rätt sätt.

SYMBOLER

	Varning
	För att minska risken för skador måste användaren läsa bruksanvisningen
	Använd hörselskydd
	Använd hörselskydd
	Använd skyddsmask
	Håll alltid undan händerna
	Ta ur batteriet innan du gör justeringar eller utför service eller underhåll
 Li-Ion 	Kasta inte batterier i soptunnan. Lämna uttjänta batterier till din lokala uppsamlings eller återvinningsstation.
	Utsätt inte för regn

	Får ej utsättas för regn eller vatten
	Får ej uppeldas.
 	Uttjänade elektriska produkter får inte kasseras som hushållsavfall. Återanvänd där det finns anläggningar för det. Kontakta dina lokala myndigheter eller återförsäljare för återvinningsråd.

x1NR18/65-y: Cylindriska litiumjonbattericeller med max diameter på 18 mm och max höjd på 65 mm; "x" representerar ett antal seriekopplade celler, tomt om 1. "-y" Representerar ett antal parallellt anslutna celler, tomt om 1.

1. BATTERIPAKET

2. BAKRE HANDTAG

3. FRÄMRE HANDTAG

4. SÄKERHETSSKYDD

5. FRÄMRE BRYTARSPAK (TOTALBRYTARFUNKTION)

6. BRYTARSPAK

7. BATTERIPAKETETS LÅSNING


8. BLAD

9. BLADFODRAL *

* Alla tillbehör beskrivna eller avbildade nedan medföljer inte standardprodukten.

TEKNISKA DATA

Typ **WG259E WG259E.5 WG259E.9 WG260E WG260E.9** (230-269- maskinbeteckning, anger Sladdlös häcksax)

	WG259E	WG259E.5	WG259E.9	WG260E	WG260E.9
Spänning	220-240V~50/60Hz				
Makt	20V  Max** Lithium				
Hastighet utan belastning	2200/min				
Max. klipplängd	52cm			61cm	
Max. klippdiameter	14mm			19mm	
Laddningstid	5hr approx.	1hr approx.	/	5hr approx.	/
Maskinens vikt	2.5kg	2.5kg	2.1kg	2.5kg	2.1kg

**Spänning uppmätt utan belastning. Initial batterispänning är max. 20 V. Nominell spänning är 18 V.

BULLERINFORMATION

Uppmätt ljudtryck 77dB(A)

Uppmätt ljudstyrka 90dB(A)

K_{pA} 3.0dB(A)

Använd hörselskydd när ljudtrycket är över 80dB(A)



VIBRATIONSFÖRKLARING

Vibrationernas totalvärden (triax vektorsumma) är fastställda enligt EN 60745:

Typisk uppmätt vibration $a_n=2.2\text{m/s}^2$

Osäkerhet $K = 1.5\text{m/s}^2$

Det deklarerade totala vibrationsvärdet kan användas för att jämföra ett verktyg med ett annat och det kan också användas för preliminär bedömning av exponering.



VARNING: Vibrationsemissionsvärdet vid användning av maskinverktyg kan skilja sig åt från det deklarerade värdet beroende på hur verktyget används och beroende på följande exempel och andra variationer av hur verktyget används:

Hur verktyget används och materialet som verktyget används med.

Verktyget är i bra skick och bra underhållet.

Användning av korrekt tillbehör till verktyget och säkerställandet att det är vasst och i bra skick.

Beroende på hur tajt åtdraget handtaget är och om några antivibrationstillbehör används.

Verktyget används som avsett enligt konstruktionen och de här instruktionerna.

Detta verktyg kan orsaka hand-arm-vibrationssyndrom om det används på felaktigt sätt.



VARNING: För att det ska bli korrekt bör en beräkning av exponeringsnivån under verkliga förhållanden vid användning också tas med för alla delar av hanteringscykeln såsom tiden när verktyget är avstängt och när det körs på tomgång utan att utföra något arbete. Detta kan betydligt minska exponeringsnivån över den totala arbetsperioden.

Hjälp för att minimera risken för vibrationsexponering.

Använd ALLTID skarpa mejslar, borrar och blad.

Underhåll verktyget i enlighet med dessa instruktioner och håll det välsmort (där det är nödvändigt).

Om verktyget ska användas regelbundet, investera i antivibrationstillbehör.

Undvik att använda verktyget i temperaturer på 10°C eller lägre.

Planera ditt arbetsschema för att sprida ut användning av kraftigt vibrerande verktyg över flera dagar.


113

TILLBEHÖR

	WG259E	WG259E.5	WG259E.9	WG260E	WG260E.9
Bladfodral	1	1	1	1	1
Säkerhetsskydd	1	1	1	1	1
Laddare	1 (WA3760)	1 (WA3860)	/	1 (WA3760)	/
Batteripaket	1 (WA3551.1)	1 (WA3551.1)	/	1 (WA3551)	/

Vi rekommenderar att du köper dina tillbehör från samma återförsäljare som du köpte produkten från. Läs på tillbehörens förpackning för mera information. Din återförsäljare kan också hjälpa dig och ge dig råd.

BRUKSANVISNING

 **OBS:** Innan du använder verktyget, läs noga igenom bruksanvisningen.


INTENDED USE

The machine is intended for cutting and trimming hedges and bushes in domestic use.

 **VARNING: ANVÄND INTE PRODUKTEN UTAN ATT HA MONTERAT SKYDDET OCH FRÄMRE HANDTAGET.**

MONTERING OCH DRIFT

ÅTGÄRD	FIGUR
MONTERING	
Montering av skydd	Se A
MONTERING AV FRÄMRE HANDTAGET OBS: Handtagsskruvarna måste nå säkerhetsspärren. Om främre handtaget monteras bakåt kommer verktyget inte starta.	Se B1, B2, B3
TA BORT ELLER SÄTTA I BATTERIPAKETET	Se C
LADDA BATTERIET Ditt batteripaket är OLADDAT och du måste ladda det en gång innan användning. Mer detaljer finns i laddarens handbok: WA3760 (för WG259E WG260E) eller WA3860 (för WG259E.5)	
DRIFT	
START OCH STOPP	Se D1, D2

TOPPKLIPPNING  VARNING: Om några delar saknas, är skadade eller trasiga, använd inte häcksaxen innan alla skadade delar har bytts ut eller reparerats. Underlåtenhet att göra detta kan leda till allvariga personskador. ANVÄND INTE PRODUKTEN UTAN ATT HA MONTERAT SKYDDET OCH FRÄMRE HANDTAGET.	Se E1
SIDOKLIPPNING	Se E2
SMÖRJNING AV KLIPPBLADEN	Se F

HUR HÄCKTRIMMERN ANVÄNDS

Notera att brytarspaken kan aktiveras på tre olika sidor vilket ger dig många valmöjligheter för att bekvämt grepp. Innan du klipper ett område bör du först inspektera det och ta bort alla främmande föremål som kan kastas iväg eller trassla in sig i bladen. Håll alltid trimmern med båda händerna och med bladen riktade bort från dig innan du startar den.

Vid trimning av nytyllväxt bör en bred svepande rörelse användas så att stammarna matas direkt in till bladen. (Se E1 & E2)

Låt klippbladen nå full hastighet innan du klipper. Under arbetet, håll klippbladen borta från människor och föremål såsom väggar, stora stenar, träd, fordon etc.

Om bladen fastnar, stoppa trimmern omedelbart.

Släpp de två brytarspakarna (5 & 6) innan du försöker att ta bort skräp som fastnat i klippbladen. Använd handskar när du trimmar taggiga eller stickande växter.

Försök inte att klippa stammar som är för tjocka för klippbladen.

TOPPKLIPPNING

Använd en bred svepande rörelse (Se E1). En lätt nedåtriktad lutning av klippbladen i rörelsen riktning ger det bästa klipresultatet.

SIDOKLIPPNING

Vid trimning av sidorna på en häck börjar du nederst och klipper uppåt (Se E2) och spetsar till överkanten på häcken inåt. Denna form exponerar

mer av häcken vilket resulterar i en mer likformig tillväxt.

UNDERHÅLL

Ta ur batteriet innan du gör justeringar eller utför service eller underhåll.

Det finns inna delar som kan repareras av användaren i verktyget. Använd aldrig vatten eller kemiska medel för att rengöra verktyget. Torka rent med en torr trasa. Förvara alltid verktyget på en torr plats. Håll motorns ventileringsöppningar rena. Håll alla arbetskontroller fria från damm.

MILJÖSKYDD



Uttjänade elektriska produkter får inte kasseras som hushållsavfall.

■ Återanvänd där det finns anläggningar för det. Kontakta dina lokala myndigheter eller återförsäljare för återvinningsråd.

DEKLARATION OM ÖVERENSSTÄMMELSE

Vi,
POSITEC Germany GmbH
Konrad-Adenauer-Ufer 37
50668 Köln

Deklarerar att denna produkt,
Beskrivning **WORX Sladdlös häcksax**
Typ **WG259E WG259E.5 WG259E.9**
WG260E WG260E.9 (230-269-
maskinbeteckning, anger Sladdlös
häcksax)

Funktion **Trimma häckar och buskar**

Uppfyller följande direktiv,
2006/42/EC, 2014/30/EU, 2011/65/EU,
2000/14/EC ändrad av 2005/88/EC

2000/14/EC ändrad av 2005/88/EC:

- Konformitetsutvärderingsprocedur enligt

Bilaga V

- Uppmätt bullernivå **87.1dB(A)**

- Deklarerad garanterad bullernivå **90dB(A)**

Standarder överensstämmer med

EN 60745-1

EN 60745-2-15

EN ISO 3744

EN 55014-1

EN 55014-2

Personen som godkänts att sammanställa den tekniska filen.

Namn Russell Nicholson

Adress Positec Power Tools (Europe)Ltd,
PO Box 6242, Newbury, RG14 9LT, UK



Suzhou 2017/06/22

Allen Ding

Vice chefsingenjör, tester och certifiering

VARNOSTNA NAVODILA

SPLOŠNA VARNOSTNA NAVODILA ZA ELEKTRIČNA ORODJA



OPOZORILO! Preberite vsa

opozorila in napotila. Napake zaradi neupoštevanja spodaj navedenih opozoril in napotil lahko povzročijo električni udar, požar in/ ali težke telesne poškodbe.

Vsa opozorila in napotila shranite, ker jih boste v prihodnje še potrebovali.

Pojem „električno orodje“, ki se pojavlja v nadaljnjem besedilu, se nanaša na električna orodja z električnim pogonom (z električnim kablom) in na akumulatorska električna orodja (brez električnega kabla).

1) VARNOST NA DELOVNEM MESTU

a) Delovno področje naj bo vedno

čisto in dobro osvetljeno. Nered in neosvetljena delovna področja lahko povzročijo nezgode.

b) Ne uporabljajte električnega orodja v okolju, kjer lahko pride do eksplozij oziroma tam, kjer se nahajajo vnetljive tekočine, plini ali prah.

Električna orodja povzročajo iskre, zaradi katerega se lahko prah ali para vnameta.

c) Prosimo, da med uporabo električnega orodja ne dovolite otrokom ali drugim osebam, da bi se Vam približali. Odvrčanje Vaše pozornosti drugam lahko povzroči izgubo kontrole nad napravo.

2) ELEKTRIČNA VARNOST

a) Priključni vtikač električnega orodja se mora prilegati vtičnici. Spreminjanje vtičaka na kakršenkoli način ni dovoljeno. Pri ozemljenih električnih orodjih ne uporabljajte vtičakov z adapterji. Nespremenjeni vtičaki in ustrezne vtičnice zmanjšujejo tveganje električnega udara.

b) Izogibajte se telesnemu stiku z ozemljenimi površinami kot so na primer cevi, grelci, štedilniki in hladilniki. Tveganje električnega udara je večje, če je Vaše telo ozemljeno.

c) Prosimo, da napravo zavarujete pred dežjem ali vlago. Vdor vode v električno orodje povečuje tveganje električnega udara.

d) Ne uporabljajte kabla za nošenje ali obešanje električnega orodja in ne vlecite za kabel, če želite vtičak izvleči iz vtičnice. Kabel zavarujte pred vročino, oljem, ostrimi robovi ali premikajočimi se deli naprave. Poškodovani ali zapleteni kabli povečujejo tveganje električnega udara.

e) Kadar uporabljate električno orodje zunaj, uporabljajte samo kabelske podaljške, ki so primerni za delo na prostem. Uporaba kabelskega podaljška, ki je primeren za delo na prostem, zmanjšuje tveganje električnega udara.

f) Če je uporaba električnega orodja v vlažnem okolju neizogibna, uporabljajte stikalo za zaščito pred kvarnim tokom. Uporaba zaščitnega stikala zmanjšuje tveganje električnega udara.

3) OSEBNA VARNOST

a) Bodite pozorni, pazite kaj delate ter se dela z električnim orodjem lotite z razumom. Ne uporabljajte električnega orodja, če ste utrujeni oziroma če ste pod vplivom mamil, alkohola ali zdravil. Trenutek nepazljivosti med uporabo električnega orodja je lahko vzrok za resne telesne poškodbe.

b) Uporabljajte osebno zaščitno opremo in vedno nosite zaščitna očala. Nošenje osebne zaščitne opreme, na primer maske proti prahu, nedrsečih zaščitnih čevljev, varnostne čelade ali zaščitnih glušnikov, kar je odvisno od vrste in načina uporabe električnega orodja, zmanjšuje tveganje telesnih poškodb.

c) Izogibajte se nenamernemu zagonu. Pred priključitvijo električnega orodja na električno omrežje in/ali na akumulator in pred dviganjem ali nošenjem se prepričajte, če je električno orodje izklopljeno.

Prenašanje naprave s prstom na stikalu ali priključitev vklopljenega električnega orodja na električno omrežje je lahko vzrok za nezgodo.

d) Pred vklopjanjem električnega orodja odstranite nastavitvena orodja ali izvijače. Orodje ali ključ, ki se nahaja v vrtečem se delu naprave, lahko povzroči

telesne poškodbe.

- e) **Izogibajte se nenormalni telesni drži. Poskrbite za trdno stojišče in za stalno ravnotežje.** Tako boste v nepričakovanih situacijah električno orodje lahko bolje nadzorovali.
 - f) **Nosite primerna oblačila. Ne nosite ohlapnih oblačil in nakita. Lase, oblačila in rokavice ne približujte premikajočim se delom naprave.** Premikajoči se deli naprave lahko zagrabijo ohlapno oblačilo, dolge lase ali nakit.
 - g) **Če je na napravo možno montirati priprave za odsesavanje ali prestrezanje prahu, se prepričajte, če so le-te priključene in če se pravilno uporabljajo.** Uporaba priprave za odsesavanje prahu zmanjšuje zdravstveno ogroženost zaradi prahu.
- 4) SKRBNNA UPORABA IN RAVNANJE Z ELEKTRIČNIMI ORODJI**
- a) **Ne preobremenjujte naprave. Pri delu uporabljajte električna orodja, ki so za to delo namenjena.** Z ustreznim električnim orodjem boste v navedenem zmogljivostnem področju delali bolje in varneje.
 - b) **Ne uporabljajte električnega orodja s pokvarjenim stikalom.** Električno orodje, ki se ne da več vklopiti ali izklopiti, je nevarno in ga je potrebno popraviti.
 - c) **Pred nastavljanjem naprave, zamenjavo delov pribora ali odlaganjem naprave izvalcite vtikač iz električne vtičnice in/ali odstranite akumulator.** Ta previdnostni ukrep preprečuje nenameren zagon električnega orodja.
 - d) **Električna orodja, katerih ne uporabljate, shranjujte izven dosega otrok. Osebam, ki naprave ne poznajo ali niso prebrale teh navodil za uporabo, naprave ne dovolite uporabljati.** Električna orodja so nevarna, če jih uporabljajo neizkušene osebe.
 - e) **Skrbno negujte električno orodje. Kontrolirajte brezhibno delovanje premičnih delov naprave, ki se ne smejo zatikati. Če so ti deli zlomljeni ali poškodovani do te mere, da ovirajo delovanje električnega orodja, jih je potrebno pred uporabo**

naprave popraviti. Slabo vzdrževana električna orodja so vzrok za mnoge nezgode.

- f) **Rezalna orodja vzdržujte tako, da bodo vedno ostra in čista.** Skrbno negovana rezalna orodja z ostrimi robovi se manj zatikajo in so lažje vodljiva.
 - g) **Električna orodja, pribor, vsadna orodja in podobno uporabljajte ustrezno tem navodilom. Pri tem upoštevajte delovne pogoje in dejavnost, ki jo boste opravljali.** Uporaba električnih orodij v namene, ki so drugačni od predpisanih, lahko privede do nevarnih situacij.
- 5) SKRBNNO RAVNANJE IN UPORABA AKUMULATORSKIH ORODIJ**
- a) **Akumulatorske baterije polnite samo v polnilnikih, ki jih priporoča proizvajalec.** Polnilnik, ki je namenjen določeni vrsti akumulatorskih baterij, se lahko vname, če ga boste uporabljali skupaj z drugačnimi akumulatorskimi baterijami.
 - b) **V električnih orodjih uporabljajte le akumulatorske Mbaterije, ki so zanje predvidene.** Uporaba drugih akumulatorskih baterij lahko povzroči telesne poškodbe ali požar.
 - c) **Akumulatorska baterija, katere ne uporabljate, ne sme priti v stik s pisarniškiimi sponkami, kovanci, žebliji, vijaki in drugimi manjšimi kovinskimi predmeti, ki bi lahko povzročili premostitev kontaktov.** Kratek stik med akumulatorskimi kontakti lahko ima za posledico opekline ali požar.
 - d) **V primeru napačne uporabe lahko iz akumulatorske baterije izteče tekočina. Izogibajte se kontaktu z njo. Pri naključnem kontaktu s kožo spirajte z vodo. Če pride tekočina v oko, dodatno poiščite tudi zdravniško pomoč.** Iztekajoča akumulatorska tekočina lahko povzroči draženje kože ali opekline.
- 6) SERVISIRANJE**
- a) **Vaše električno orodje naj popravlja samo kvalificirano strokovno osebe ob obvezni uporabi originalnih rezervnih delov.** Tako bo zagotovljena ohranitev varnosti naprave.

VARNOSTNA OPOZORILA ZA ŠKARJE ZA ŽIVO MEJO

- 1. Poskrbite, da bodo vsi deli telesa varno oddaljeni od rezilnih nožev. Med delovanjem nožev ne poskušajte odstranjevati rezalnega materiala in prav tako ne poskušajte držati materiala, ki ga numeravate odrezati. Zagodeni rezalni material odstranite le pri izklopljeni napravi.** Le trenutek nepazljivosti pri uporabi škarij za grmičevje lahko privede do težkih poškodb.
- 2. Škarje za grmičevje prenašajte za ročaj, nož mora pri tem mirovati. Pri transportiranju in pred shranjevanjem morate na škarje za grmičevje vedno namestiti zaščitno pokrov.** Skrbno rokovanje z napravo zmanjša nevarnost poškodb, ki bi nastale zaradi noža.
- 3. Električno orodje smete med delom držati le na izoliranem ročaju, saj lahko pride do dotika rezila s skritimi omrežnimi kablji orodja.** Stik rezila z napeljavo, ki je pod napetostjo, lahko povzroči, da so posledično tudi kovinski deli naprave pod napetostjo in to vodi do električnega udara.








VARNOSTNA OPOZORILA ZA AKUMULATOR

- a) Ne razstavljajte, odpirajte ali odstranjujte celic akumulatorja.**
- b) Pazite, da ne povzročite kratkega stika akumulatorja. Akumulatorjev nikoli ne shranjujte v škatli ali predalu, kjer bi lahko prišlo do kratkega stika zaradi dotika kontaktov s prevodnimi predmeti.** Kadar akumulator ni nameščen v strojčku, ga hranite proč od drugih kovinskih predmetov, kot so sponke za papir, kovanci, ključji, žebelji, vijaki ali drugi drobni kovinski predmeti, ki bi lahko omogočili povezavo med kontakti. Če pride do stika med kontakti akumulatorja, to lahko povzroči požar.
- c) Akumulatorja ne izpostavljajte**

vročini ali ognju. Poskrbite, da ne bo izpostavljen neposredni sončni svetlobi.

- d) Akumulatorja ne izpostavljajte mehanskim udarcem.**
- e) Če opazite, da akumulator pušča, pazite, da tekočina ne bo prišla v stik z očmi. Če akumulatorska tekočina vseeno pride v stik z očmi, izperite prizadeto območje z obilo vode in poiščite zdravniško pomoč.**
- f) Predvsem pa takoj poiščite predvsem pomoč, če ste celico ali del akumulatorja zaužili.**
- g) Akumulator shranjujte na čistem in suhem mestu.**
- h) Če se akumulator zamaže, ga takoj očistite s čisto in suho krpo.**
- i) Akumulator morate pred uporabo napolniti. Pri polnjenju akumulatorja vedno upoštevajte predpisana navodila in postopke.**
- j) Če akumulatorja ne polnite, ga odstranite iz polnilca.**
- k) Po daljšem obdobju skladiščenja, boste za dosego maksimalne zmogljivosti akumulatorja verjetno morali slednjega nekajkrat napolniti in izprazniti.**
- l) Akumulator deluje najbolj učinkovito, če ga uporabljate pri običajni sobni temperaturi (20°C ± 5°C).**
- m) Pri odlaganju akumulatorja pazite, da boste akumulatorje, ki imajo različne elektrokemične sisteme zavrgli ločeno.**
- n) Za polnjenje uporabljajte le polnilce, ki jih je predpisal WORX. Nikoli ne uporabljajte polnilcev, ki niso posebej namenjeni za polnjenje vašega akumulatorja.** Polnilec, ki je lahko primeren za polnjenje ene vrste akumulatorjev, lahko pri drugi povzroči nevarnost požara.
- o) Nikoli ne uporabljajte polnilcev, ki niso posebej zasnovani za polnjenje vašega akumulatorja.**
- p) Akumulatorje shranjujte izven dosega otrok.**
- q) Za podrobnosti, si oglejte gradivo, ki je bilo priloženo akumulatorju.**
- r) Če strojčka ne uporabljate, iz njega odstranite akumulator.**
- s) Akumulatorje odlagajte skladno s predpisi.**

SIMBOLI

	Opozorilo
	Zaradi zmanjševanja nevarnosti poškodb, se temeljito seznanite z navodili za uporabo
	Uporabljajte zaščito za ušesa
	Uporabljajte zaščito za oči
	Nosite zaščitno masko za prah
	Z rokami se ne dotikajte
	Pred vsakim prilagajanjem, servisiranjem ali vzdrževanjem izvlecite akumulator iz ležišča
 Li-Ion 	Akumulatorjev ne zavržite skupaj z ostalimi odpadki, temveč jih dostavite na mesto za ločeno zbiranje odpadkov.
	Ne izpostavljajte dežju
	Ne izpostavljajte dežju ali vodi
	Prepovedano sežiganje



Odpadnih električnih naprav ne smete zavreči skupaj z ostalimi gospodinjskimi odpadki. Dostavite jih na mesto za ločeno zbiranje odpadkov. Glede podrobnosti, se posvetujte z lokalno službo za ravnanje z odpadki.

x1NR18/65-y: Cilindrične litijeve akumulatorske celice največjega premera 18 mm in dolžine 65 mm; "x" predstavlja število zaporedno vezanih celic, če je 1, potem je to mesto prazno; "-y" predstavlja število vzporedno vezanih celic, če je 1 je mesto prazno.

1. AKUMULATOR

2. ZADNJI ROČAJ

3. SPREDNJI ROČAJ

4. VAROVALO

5. SPREDNJE STIKALO (CELA ROČICA JE STIKALO)

6. ZADNJE STIKALO

7. GUMB ZA SPROSTITEV AKUMULATORJA


8. REZILO

9. ZAŠČITA REZILA*

* Pri standardni dobavi niso vključeni vsi prikazani dodatki.

TEHNIČNI PODATKI

Tip **WG259E WG259E.5 WG259E.9 WG260E WG260E.9** (230-269- oznaka naprave, predstavnik brezžičnega rezalnika žive meje)

	WG259E	WG259E.5	WG259E.9	WG260E	WG260E.9
Napetost	220-240V~50/60Hz				
Moč	20V  Max** Lithium				
Št. vrtljajev v prostem teku	2200/min				
Maks Dolžina reza	52cm			61cm	
Maks Premer rezanja	14mm			19mm	
Čas polnjenja	5hr approx.	1hr approx.	/	5hr approx.	/
Teža orodja	2.5kg	2.5kg	2.1kg	2.5kg	2.1kg

** Napetost merjena brez obremenitve. Začetna napetost akumulatorja doseže maksimum 20V. Običajna napetost je 18V.

PODATKI O HRUPU

Vrednotena raven zvočnega tlaka	77dB(A)
Vrednotena raven zvočne moči	90dB(A)
K_{PA}	3.0dB(A)
Pri povišani ravni hrupa, uporabite zaščito za ušesa	80dB(A)



PODATKI O VIBRACIJAH

Skupne vrednosti oscilacij (vektorski seštevek treh smeri), skladno z EN 60745:

Tipična vrednotena raven vibracij $a_n=2.2\text{m/s}^2$

Negotovost $K = 1.5\text{m/s}^2$

Deklarovaná celková hodnota vibrácií sa môže použiť na vzájomné porovnanie jednotlivých náradí a takisto aj na predbežné stanovenie času práce.



VÝSTRAHA: Hodnota emisie vibrácií počas skutočného používania elektrického náradia sa môže odlišovať od deklarovanej hodnoty, a to v závislosti od spôsobu používania náradia a v závislosti od nasledujúcich príkladov odchýlok od spôsobu používania náradia:

Akým spôsobom sa náradie používa a aké materiály budú rezané alebo vŕtané.

Náradie je v dobrom stave a je dobre udržiavané.

Používanie správneho príslušenstva v spojení s náradím a zabezpečenie jeho ostrosti a dobrého stavu.

Tesnosť zovretia rúkovať a používanie doplnkov proti vibráciám.

Používanie náradia na podľa konštrukcie určený účel a v súlade s pokynmi.

Toto náradie môže vyvolávať syndróm trasenia rúk a ramien, pokiaľ jeho používanie nie je správnym spôsobom riadené.



VÝSTRAHA: Kvôli presnosti by mal odhad úrovne expozície v skutočných podmienkach používania obsahovať tiež všetky súčasti prevádzkového cyklu, ako sú doby, počas ktorých je náradie vypnuté a počas ktorých beží na voľnobehu, a to mimo skutočného vykonávania práce. Tým môže dôjsť k značnému zníženiu úrovne expozície počas celkového prevádzkového času.

Pomôžte minimalizovať riziko expozície účinkom vibrácií.

VŽDY používajte ostré sekáče a čepele.

Náradie udržiavajte v súlade s týmto návodom a udržiavajte ho dobre namazané (ak je to potrebné).

Ak sa náradie používa často, investujte do príslušenstva zabraňujúceho vibráciám.

Vyhňte sa používaniu náradia pri teplote 10°C a menej.

Prácu si naplánujte tak, aby ste akékoľvek používanie náradia pri vysokých vibráciách rozdelili na niekoľko dní.

121

DODATKI

	WG259E	WG259E.5	WG259E.9	WG260E	WG260E.9
Zaščitná rezila	1	1	1	1	1
Varovalo	1	1	1	1	1
Polnilec	1 (WA3760)	1 (WA3860)	/	1 (WA3760)	/
Akumulátor	1 (WA3551.1)	1 (WA3551.1)	/	1 (WA3551)	/

Prporočamo vam, da dodatke vedno kupujete v isti trgovini, kot ste kupili napravo. Za podrobnosti si oglejte razlage na embalaži kompleta dodatkov. Pri odločanju o ustreznem dodatku, vam lahko pomaga tudi osebe v trgovini.

NAVODILA ZA UPORABO



POZNÁMKA: Pred tým, ako náradie použijete, prečítajte si návod na použitie.

NAMEN UPORABE

Naprava je namenjena za obrezovanje žive meje in ostalega grmičevja na domačih posestvih.



OPOZORILO! NAPRAVE NIKOLI NE UPORABLJAJTE BREZ NAMEŠČENEGA VAROVALA IN SPREDNJEGA ROČAJA.

SESTAVLJANJE IN NAČIN UPORABE

OPRAVILO	SLIKA
SESTAVLJANJE	
Sestavljanje varovala	Glejte sliko A
Sestavljanje sprednjega ročaja POZNÁMKA: Vijaki ročaja morajo biti obrnjeni proti varovalu. Če boste sprednji ročaj sestavili obrnjenega nazaj, se orodje ne bo hotelo zagnati.	(glejte sliko B1)
Odstranjevanje ali nameščanje akumulatorja	Glejte sliko C
Polnjenje akumulatorja Akumulator orodja ob dobavi NI NAPOLNJEN, zato ga morate najprej napolniti. Več podrobnosti si lahko ogledate v priročniku za polnilnik: WA3760 (pri WG259E WG260E) ali WA3860 (pri WG259E.5)	
OBSLUGA	
Zaganjanje in ugašanje	Glejte sliko D1, D2

Vrhne rezanje OPOZORILO: Če kateri od delov manjka ali je poškodovan, rezalnika ne uporabljajte dokler ne bodo vsi deli brezhibno delovali. Neupoštevanje tega priporočila se lahko odrazi v resnih telesnih poškodbah. NAPRAVE NIKOLI NE UPORABLJAJTE BREZ NAMEŠČENEGA VAROVALA IN SPREDNJEGA ROČAJA.	Glejte sliko E1
Bočno rezanje	Glejte sliko E2
Mazanje rezila	Glejte sliko F

KAKO UPORABLJATI REZALNIK ŽIVE MEJE

Upoštevajte, da sprednje stikalo lahko aktivirate iz treh različnih smeri, zaradi česar boste rezalnik uporabljali udobneje. Preden začnete z delom, najprej odstranite predmete, ki bi jih rezalnik lahko vrgel v zrak, ali bi se ujeli v rezilo. Rezalnik vedno držite z obema rokama, rezilo pa naj bo ob vzklopu obrnjeno proč od vas.

Če režete mlade vejice, rezalnik premikajte s širokimi gibi, da odrezani deli ne bodo padali neposredno na rezilo. (Glejte sliko E1 in E2) Preden začnete z rezanjem, počakajte, da rezila dosežejo polno hitrost. Med delom imejte rezila obrnjena proč od ljudi in sten, kamnov, dreves, vozil ter drugih predmetov.

Če se rezilo zaustavi, takoj ugasnite rezalnik. Sprostite stikali (5 in 6) in šele nato odstranite morebitne tujke iz rezil.

Če režete trnato ali bodičasto grmičevje, uporabljajte zaščitne rokavice. Nikoli ne režite vej, ki so predebele za rezanje.

VRHNJE REZANJE

Rezalnik premikajte v širokih gibih (Glejte sliko E1). Najboljše rezultate boste dosegli, če boste sprednji del rezila držali obrnjenega malce navzdol.

BOČNO REZANJE

Pri bočnem obrezovanju žive meje, začnite spodaj in režite navzgor (Glejte sliko E2), pri


čemer živo mejo pri vrhu prirežite navznoter.
Takšna oblika bo živi meji zagotovila
enakomernejšo rast.

VZDRŽEVANJE

**Pred vsakim prilaganjem,
servisiranjem ali vzdrževanjem izvlecite
akumulator iz ležišča.**

Naprava tudi nima nobenih delov, ki bi jih morali servisirati. Za čiščenje naprave nikoli ne uporabljajte vode ali kemičnih sredstev. Obrišite jo le s suho krpo. Napravo vedno shranjujte na suhem mestu. Poskrbite, da bodo prezračevalne odprtine čiste. Vsi elementi krmiljenja morajo biti čisti, brez prahu.

VAROVANJE OKOLJA

 Odpadnih električnih naprav ne smete zavreči skupaj z ostalimi gospodinjskimi odpadki. Dostavite jih na mesto za ločeno zbiranje odpadkov. Glede podrobnosti, se posvetujte z lokalno službo za ravnanje z odpadki.

IZJAVA O SKLADNOSTI

Mi,
POSITEC Germany GmbH
Konrad-Adenauer-Ufer 37
50668 Köln

Izjavljamo, da je izdelek,
Opis izdelka **WORX brežični rezalnik žive meje**

Vrsta izdelka **WG259E WG259E.5
WG259E.9 WG260E WG260E.9 (230-
269- oznaka naprave, predstavnik
brežičnega rezalnika žive meje)**

Funkcija **Obrezovanje žive meje in
grmičevja**

Skladen z naslednjimi direktivami,
**2006/42/EC, 2014/30/EU, 2011/65/EU
2000/14/ES spremenjena z 2005/88/ES**

2000/14/ES spremenjena z 2005/88/ES
- Postopek za ugotavljanje skladnosti, glede na

Dodatek V

- Izmerjena raven zvočne moči **87.1dB(A)**
- Deklarirana raven zvočne moči **90dB(A)**

In izpolnjuje naslednje standarde,
**EN 60745-1 EN 60745-2-15
EN ISO 3744 EN 55014-1
EN 55014-2**

Oseba, ki je pooblaščenca za skladnost tehnične dokumentacije,

Ime Russell Nicholson

**Naslov Positec Power Tools (Europe)
Ltd, Box 6242, Newbury, RG14 9LT, UK**



Suzhou 2017/06/22

Allen Ding

Namestnik glavnega inženirja za testiranje in
certificiranje

WG259E WG259E.5 WG260E

LITHIUM ION BATTERY

Handle with care .

Do not load or transport package if Damaged.

A fire hazard could exist.

For more information ,call:+86-512-65152811

LITHIUM-IONEN-BATTERIE

Mit Sorgfalt behandeln.

Die Verpackung nicht verladen oder

transportieren, wenn diese beschädigt ist.

Es könnte Brandgefahr bestehen.

Für weitere Informationen wenden Sie sich

bitte an :+86-512-65152811

BATTERIE LITHIUM-ION

À manipuler avec précaution.

Ne chargez pas ou ne transportez pas le colis

en cas de dommages.

Existence possible d'un risque d'incendie

Pour plus d'informations, veuillez appeler le

:+86-512-65152811

BATTERIA AGLI IONI DI LITIO

Maneggiare con cautela.

Non caricare o trasportare il pacco batteria se danneggiato.

Sussiste il pericolo di incendio.

Per ulteriori informazioni, chiamare il numero

:+86-512-65152811

BATERÍA DE IONES DE LITIO

Manipular con mucho cuidado.

No cargar ni mover si está dañada.

Podría producirse un incendio.

Para obtener más información, llamar al :+86-

512-65152811

LITHIUM-ION-ACCU

Voorzichtig behandelen.

Beschadigde accu niet opladen of

transporteren.

Brandgevaar.

Bel voor meer informatie :+86-512-65152811

AKUMULATOR LITOWO-JONOWY

Zachować ostrożność podczas obsługi.

Nie ładować ani transportować przesyłki w razie uszkodzenia.

Może wystąpić zagrożenie życia.

Więcej informacji można uzyskać dzwonić pod

numer :+86-512-65152811

LÍTÍUM-ION AKKUMULÁTOR

Bánjon vele óvatosan.

A sérült csomagot ne helyezze be és ne szállítsa.

Tűzveszély állhat fenn.

További információért hívja:+86-512-65152811

ACUMULATOR LITIU-ION

Manipulați cu grijă. În caz de deteriorare a ambalajului de transport, nu solicitați și nu transportați.

Apariție pericol de incendiu.

Informații detaliate puteți obține la numărul de telefon :+86-512-65152811

LITHIUM-IONTOVÝ AKUMULÁTOR

Manipulujte s opatrností.

V případě poškození přepravního obalu

nezatěžujte ani nepřevázejte.

Výskyt nebezpečí požáru.

Podrobnější informace získáte na telefonním

čísle :+86-512-65152811

LITHIUM-IONTOVÝ AKUMULÁTOR

Pri manipulácii buďte veľmi opatrní.

V prípade poškodenia prepravného obalu

nezaťažujte ani neprevádzajte.

Výskyt nebezpečenstva požiaru.

Podrobnejšie informácie získate na telefónnom

čísle :+86-512-65152811

PILHA DE LÍTIO-IÃO

Manusear com cuidado.

Não carregar ou transportar a embalagem se danificada.

Pode existir risco de incêndio.

Para mais informações ligar :+86-512-

65152811

LITIJONBATTERI

Hanteras varsamt.

Ladda eller transportera inte förpackningen om den är skadad.

En brandrisk kan finnas.

För mer information, ring :+86-512-65152811

LITIJEV AKUMULATOR

Ravnajte pazljivo.

Če je akumulator poškodovan, ga ne

vstavlajte niti ne prevažajte.

Pri tem lahko pride do požara.

Za več informacij, pokličite :+86-512-65152811

WORX
it's your nature

www.worx.com

Copyright © 2017, Positec. All Rights Reserved.
AR01003503