

SPARE PARTS LIST

MODEL NO. DCS7300

| ITEM | PART NO. | DESCRIPTION | QTY | NOTE |
|------|-----------|---------------------------------|-----|-------|
| 001 | 038310020 | TUBULAR HANDLE ASSY. | 1 | |
| 002 | 038310060 | CLAMP | 1 | |
| 003 | 908006145 | FILLISTER HEAD SCREW 6X14 | 1 | |
| 004 | 913455204 | FILLISTER HEAD SCREW 5.5X20 | 4 | |
| 005 | 038114600 | TANK CPL. INC. 6-16 | 1 | |
| 006 | 957114060 | AIR VALVE CPL. | 1 | |
| 007 | 038114630 | GRIP PLATE | 1 | |
| 008 | 038117020 | CATCH LEVER | 1 | |
| 009 | 038117030 | ROCKER | 1 | |
| 010 | 038117010 | THROTTLE LEVER | 1 | |
| 011 | 038117050 | SPRING | 1 | |
| 012 | 935930240 | CYLINDRICAL PIN 3X24 | 1 | |
| 013 | 935930280 | CYLINDRICAL PIN 3X28 | 1 | |
| 014 | 010117040 | BOWDEN CABLE | 1 | |
| 015 | 913340204 | SCREW 4X20 | 1 | |
| 016 | 038114050 | FUEL LINE | 1 | |
| 017 | 975001210 | SHORT CIRCUIT SWITCH | 1 | |
| 018 | 010114050 | TANK CAP ASSY.(FUEL) INC. 19 | 1 | |
| 019 | 963228030 | O-RING 28 | 1 | |
| 020 | 963601130 | SUCTION HEAD(FUEL) INC. 21 | 1 | |
| 021 | 963601240 | FELT | 1 | |
| 022 | 038118620 | COVER | 1 | |
| 023 | ***** | ***** | *** | ***** |
| 024 | 038118630 | BOTTOM INC. 25,26,31 | 1 | |
| 025 | 038118110 | RUBBER FLAP | 2 | |
| 026 | 938650062 | RIVET | 2 | |
| 027 | 038118080 | ADJUSTING GUIDE | 1 | |
| 028 | 038155050 | CHOKE SHAFT | 1 | |
| 029 | 038155020 | CHOKE GUIDE | 1 | |
| 030 | 965401020 | RUBBER BUSH | 1 | |
| 031 | 001118100 | BUSHING | 2 | |
| 032 | 038155050 | CHOKE SHAFT | 2 | |
| 033 | 908005205 | FILLISTER HEAD SCREW M5X20 | 2 | |
| 034 | 001118100 | BUSHING | 2 | |
| 035 | 038111050 | CLIP | 2 | |
| 036 | 038111060 | SQUARE NUT M5 | 2 | |
| 037 | 908204555 | SCREW 4X55 | 2 | |
| 038 | 921804004 | SQUARE NUT M4 | 2 | |
| 039 | 038155010 | RETAINING CLIP | 1 | |
| 040 | 038131030 | INSERT FOR SUCTION HOSE | 1 | |
| 041 | 038171041 | FLANGE | 1 | |
| 042 | 038131010 | SUCTION HOSE | 1 | |
| 043 | 965603050 | CLAMP | 1 | |
| 044 | 965452380 | VENTILATION LINE | 1 | |
| 045 | 038171010 | CONNECTING MUFF | 1 | |
| 046 | 038118610 | HOOD CPL. | 1 | |
| 047 | 038118140 | INSERT | 1 | |
| 048 | 038118130 | CABLE GUIDE | 1 | |
| 049 | 917105205 | SCREW M5X20 | 2 | |
| 050 | 038171030 | HOLDER | 1 | |
| 051 | 038118100 | PLUG | 1 | |
| 052 | 038118071 | STEEL CLIP | 2 | |
| 053 | 038174200 | MUFFLER | 1 | |
| 054 | 965531130 | GASKET | 1 | |
| 055 | 038174020 | COVER PLATE | 1 | |
| 056 | 038174030 | CONNECTING LINK | 1 | |
| 057 | 908305405 | SCREW M5X40 | 1 | |

SPARE PARTS LIST

MODEL NO. DCS7300

| ITEM | PART NO. | DESCRIPTION | QTY | NOTE |
|------|-----------|-------------------------------------|-----|-------|
| 058 | 908405205 | SCREW 5X20 | 2 | |
| 059 | 039130020 | CYLINDER/PISTON CPL.50MM INC. 60 | 1 | |
| 060 | 394132111 | PISTON CPL.50MM INC. 61-63 | 1 | |
| 061 | 394132020 | PISTON RING 50MM | 1 | |
| 062 | 119132030 | PISTON PIN | 1 | |
| 063 | 119132060 | SPRING RING | 2 | |
| 065 | 908005205 | FILLISTER HEAD SCREW M5X20 | 4 | |
| 066 | 038114150 | SPRING WITH THREADED INSERT | 1 | |
| 067 | 965531121 | GASKET | 1 | |
| 068 | 038120020 | CRANKSHAFT CPL. | 1 | |
| 069 | 962210019 | NEEDLE CAGE | 1 | |
| 070 | 960102159 | BALL BAERING 6202 | 1 | |
| 071 | 960102179 | BALL BEARING 6203 | 1 | |
| 072 | 038111630 | CRANKCASE MAGNET SIDE INC. 70 | 1 | |
| 073 | 038111640 | CRANKCASE CLUTCH SIDE INC. 71 | 1 | |
| 074 | 038250020 | SPIKE BAR | 1 | |
| 075 | 038111080 | CHAIN CATCH | 1 | |
| 076 | 908005165 | FILLISTER HEAD SCREW M5X16 | 1 | |
| 077 | 010114050 | TANK CAP ASSY.(FUEL) INC. 78 | 1 | |
| 078 | 963228030 | O-RING 28 | 1 | |
| 079 | 962900052 | RADIAL RING | 1 | |
| 080 | 962900061 | RADIAL RING | 1 | |
| 081 | 038114130 | SPRING CPL.WITH CAP | 1 | |
| 082 | 913455204 | FILLISTER HEAD SCREW 5.5X20 | 1 | |
| 083 | 038114130 | SPRING CPL.WITH CAP | 1 | |
| 084 | 038114190 | POT | 1 | |
| 085 | 913455204 | FILLISTER HEAD SCREW 5.5X20 | 1 | |
| 086 | 038114140 | SPRING CPL.WITH CAP | 1 | |
| 087 | 908005305 | FILLSTER HEAD SCREW M5X30 | 6 | |
| 088 | 936430160 | SPIRAL CLAMPING PIN | 2 | |
| 089 | 038111042 | GASKET | 1 | |
| 090 | 934660250 | SLOTTED PIN 6X24 | 1 | |
| 091 | 908005125 | FILLISTER HEAD SCREW M5X12 | 1 | |
| 092 | 010245030 | VENT VALVE | 1 | |
| 093 | 038232010 | BOLT | 2 | |
| 094 | 038160600 | STARTER ASSY. INC. 95-103 | 1 | |
| 095 | 928405000 | SPRING WASHER | 1 | |
| 096 | 038112630 | FAN HOUSING | 1 | |
| 097 | 001161010 | STARTER GRIP | 1 | |
| 098 | ***** | ***** | *** | ***** |
| 099 | 908605205 | SCREW M5X20 | 3 | |
| 100 | 038162050 | SPACER | 1 | |
| 101 | 038162021 | CABLE DRUM CPL. | 1 | |
| 102 | 924605510 | WASHER 5.5/18X1.6 | 1 | |
| 103 | 913455204 | FILLISTER HEAD SCREW 5.5X20 | 1 | |
| 104 | 980114789 | LABEL DCS6400 | 1 | |
| 105 | 038112020 | AIR DUCT | 1 | |
| 106 | 970502110 | INSULATING HOSE | 1 | |
| 107 | 038143020 | IGNITION COIL INC. 108 | 1 | |
| 108 | 038143030 | CABLE HARNESS | 1 | |
| 109 | 957604240 | SPARK PLUG CAP CPL. | 1 | |
| 110 | 965603021 | SPARK PLUG BPMR7A | 1 | |
| 111 | 965401011 | RUBBER BUSHING | 1 | |
| 112 | 970311540 | EARTH CABLE | 1 | |

SPARE PARTS LIST

MODEL NO. DCS7300

| ITEM | PART NO. | DESCRIPTION | QTY | NOTE |
|------|-----------|---|-----|------|
| 113 | 915135100 | THREAD FORMING SCREW 3.5X9.5 | 1 | |
| 114 | 908304205 | SCREW M4X20 | 2 | |
| 115 | 038111110 | CLIP | 2 | |
| 116 | 038141000 | FLYWHEEL ASSY. INC. 117 | 1 | |
| 117 | 108166051 | STARTER RATCHET ASSY. | 2 | |
| 118 | 926208001 | SPRING WASHER 8 | 1 | |
| 119 | 920208024 | HEXAGONALNUT M8X1 | 1 | |
| 120 | 038245010 | OIL PUMP CPL. INC. 121,124 | 1 | |
| 121 | 030245070 | REPAIR KIT CPL. | 1 | |
| 122 | 001245140 | ANGULAR NIPPLE | 1 | |
| 123 | 038245110 | OIL LINE | 1 | |
| 124 | 038245030 | PUMP DRIVE | 1 | |
| 125 | 908005125 | FILLISTER HEAD SCREW M5X12 | 2 | |
| 126 | 038224020 | DISC | 1 | |
| 127 | 038245060 | OIL LINE | 1 | |
| 128 | 038245020 | SUCTION LINE OIL CPL. INC. 122,123,129,130 | 1 | |
| 129 | 900005066 | DISTANCE RING | 1 | |
| 130 | 963601100 | SCREEN | 1 | |
| 131 | 001182041 | GUIDE DISC | 1 | |
| 132 | 038180010 | CLUTCH ASSY. | 1 | |
| 133 | 024184021 | TENSION SPRING INC. 140 | 3 | |
| 134 | 038223020 | CLUTCH DRUM | 1 | |
| 135 | 962210024 | NEEDLE CAGE | 1 | |
| 136 | 119224070 | RIM SPROCKET | 1 | |
| 137 | 001224011 | DISC | 1 | |
| 138 | 021224010 | SHIM | 1 | |
| 139 | 927408000 | WASHER | 1 | |
| 140 | 038213220 | HAND GUARD CPL. INC. 141 | 1 | |
| 141 | 980114237 | LABEL | 1 | |
| 142 | 908405205 | SCREW 5X20 | 1 | |
| 143 | 038213160 | BUSHING | 1 | |
| 144 | 957213030 | BREAKING MECHANISM INC. 145 | 1 | |
| 145 | 927304000 | SAFETY WASHER | 1 | |
| 146 | 908005206 | SCREW 5X20 | 1 | |
| 147 | 038213150 | POT | 1 | |
| 148 | 038213130 | SPRING | 1 | |
| 149 | 038213200 | FORM SPONGE | 1 | |
| 150 | 038213010 | BREAK SPRING | 1 | |
| 151 | 915135100 | THREAD FORMING SCREW 3.5X9.5 | 1 | |
| 152 | 038213040 | PLATE | 1 | |
| 153 | 915135100 | THREAD FORMING SCREW 3.5X9.5 | 1 | |
| 154 | 038111030 | GUIDE PLATE | 1 | |
| 155 | 915135100 | THREAD FORMING SCREW 3.5X9.5 | 1 | |
| 156 | 038213600 | SPROCKET GUARD CPL. INC. 157-160,167,168 | 1 | |
| 157 | 038213635 | SPROCKET GUARD | 1 | |
| 158 | 980114784 | MAKITA LABEL | 1 | |
| 159 | 038213190 | CHIP GUIDE | 1 | |
| 160 | 957213020 | CHAIN TENSIONER CPL. INC. 162,164-166 | 1 | |
| 161 | 038213080 | BUSHING | 1 | |
| 162 | 038213210 | SPRING WASHER | 2 | |
| 163 | 028213010 | WASHER 12X9 | 1 | |
| 164 | 038213120 | TENSIONING SCREW 12X9 | 1 | |
| 165 | 038213090 | TENSIONING NUT | 1 | |

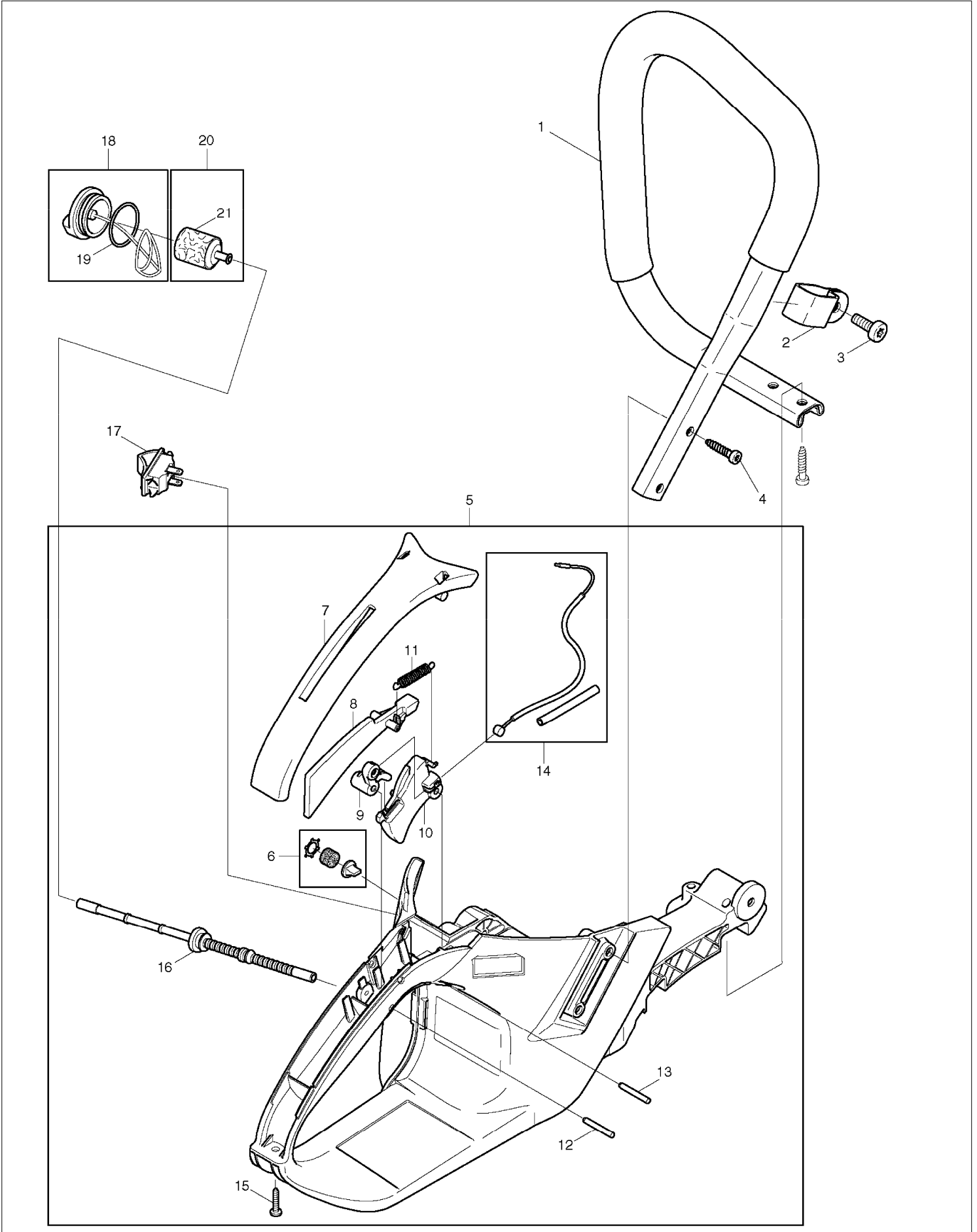
SPARE PARTS LIST

MODEL NO. DCS7300

| ITEM | PART NO. | DESCRIPTION | QTY | NOTE |
|------|-----------|-------------------------------------|-----|-------|
| 166 | 038213070 | TENSIONING SCREW BEARING | 1 | |
| 167 | 915135100 | THREAD FORMING SCREW 3.5X9.5 | 1 | |
| 168 | 024213240 | CHAIN GUIDE | 1 | |
| 169 | 923208004 | HEXAGONAL NUT M8 | 2 | |
| 170 | 957250060 | SPIKE BAR | 1 | |
| 171 | 908005125 | FILLISTER HEAD SCREW M5X12 | 2 | |
| 172 | 920405000 | HEXAGONAL NUT M5 | 2 | |
| 173 | 038153010 | CARBURETOR INC. 174-178,180-189 | 1 | |
| 174 | 038153030 | PUMP COVER | 1 | |
| 175 | 038153360 | SCREW | 1 | |
| 176 | 038153040 | DIAPHRAGM COVER | 1 | |
| 177 | 001153020 | SCREW | 4 | |
| 178 | 038153060 | SET DIAPHRAGM / GASKETS INC. 179 | 1 | |
| 179 | 038153070 | PUMP DIAPHRAGM | 1 | |
| 180 | 038153210 | LOCKING BALL | 1 | |
| 181 | 038153220 | IDLE STOP SCREW | 1 | |
| 182 | 028153180 | SCREEN | 1 | |
| 183 | 957153060 | KIT THROTTLE SHAFT | 1 | |
| 184 | 957153050 | KIT CHOKE SHAFT | 1 | |
| 185 | 957153070 | CONTROL PARTS | 1 | |
| 186 | 038153260 | SPRING | 2 | |
| 187 | 038153230 | IDLE ADJUSTMENT SCREW | 1 | |
| 188 | 038153240 | MAIN ADJUSTMENT SCREW | 1 | |
| 189 | 038153270 | RUBBER RING | 1 | |
| 190 | ***** | ***** | *** | ***** |
| 191 | ***** | ***** | *** | ***** |
| A01 | ***** | ***** | *** | ***** |
| A02 | 940827000 | ANGLED SCREW DRIVER | 1 | |
| A03 | 941719131 | UNIVERSAL WRENCH | 1 | |
| A04 | 944340001 | SCREW DRIVER | 1 | |
| A05 | 950004001 | PLASTIC BAG | 1 | |

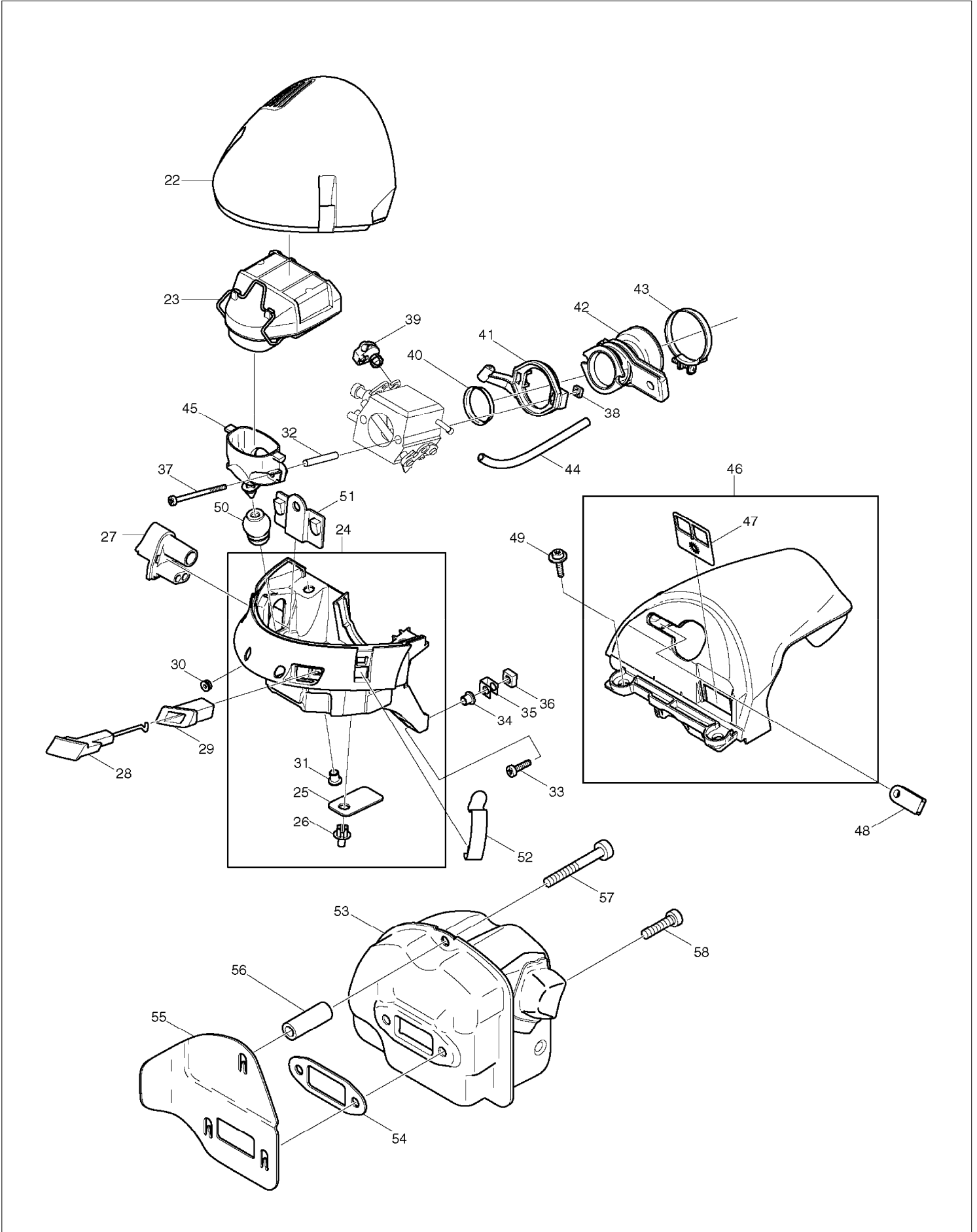
SERVICE DRAWING

MODEL NO. DCS7300



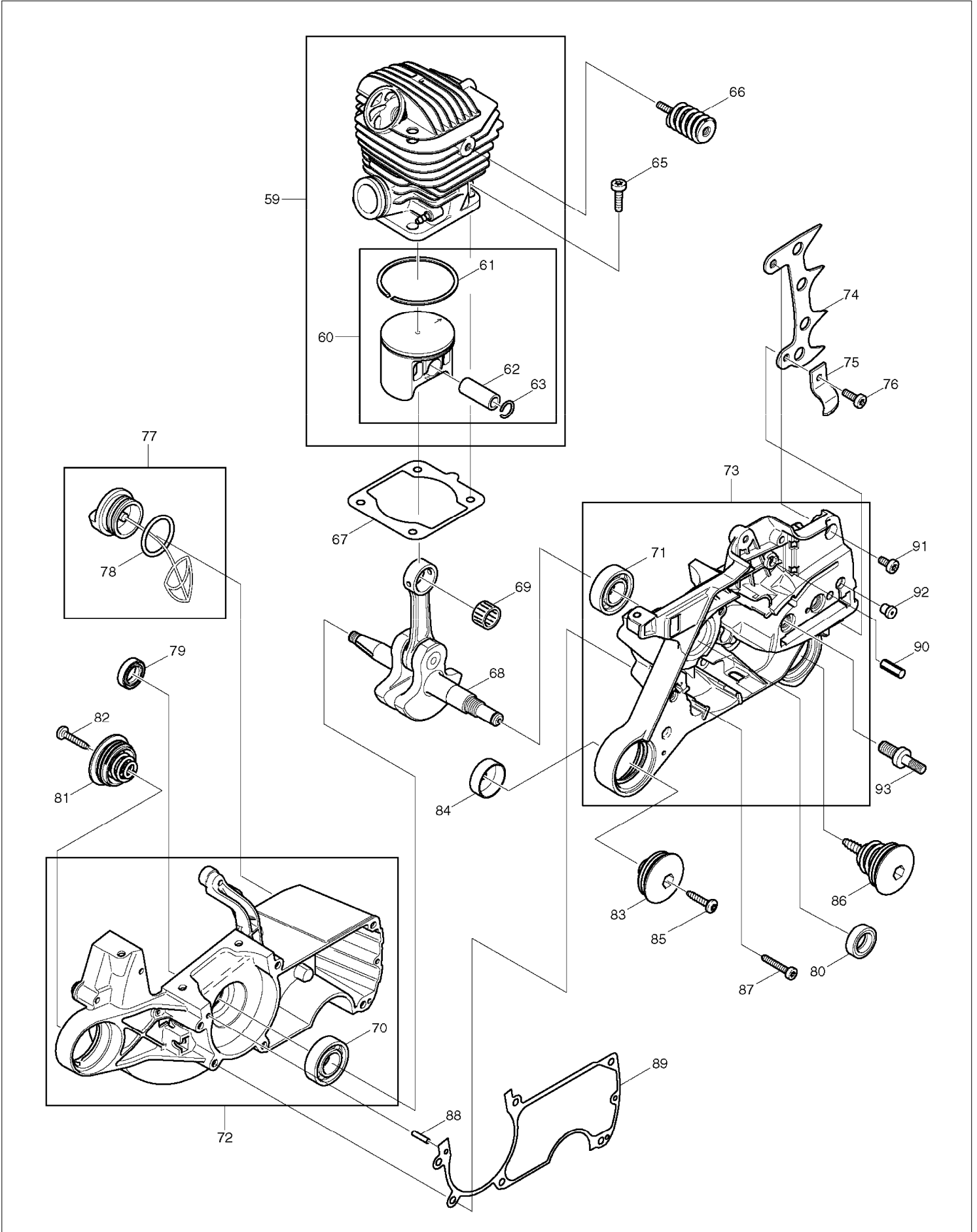
SERVICE DRAWING

MODEL NO. DCS7300



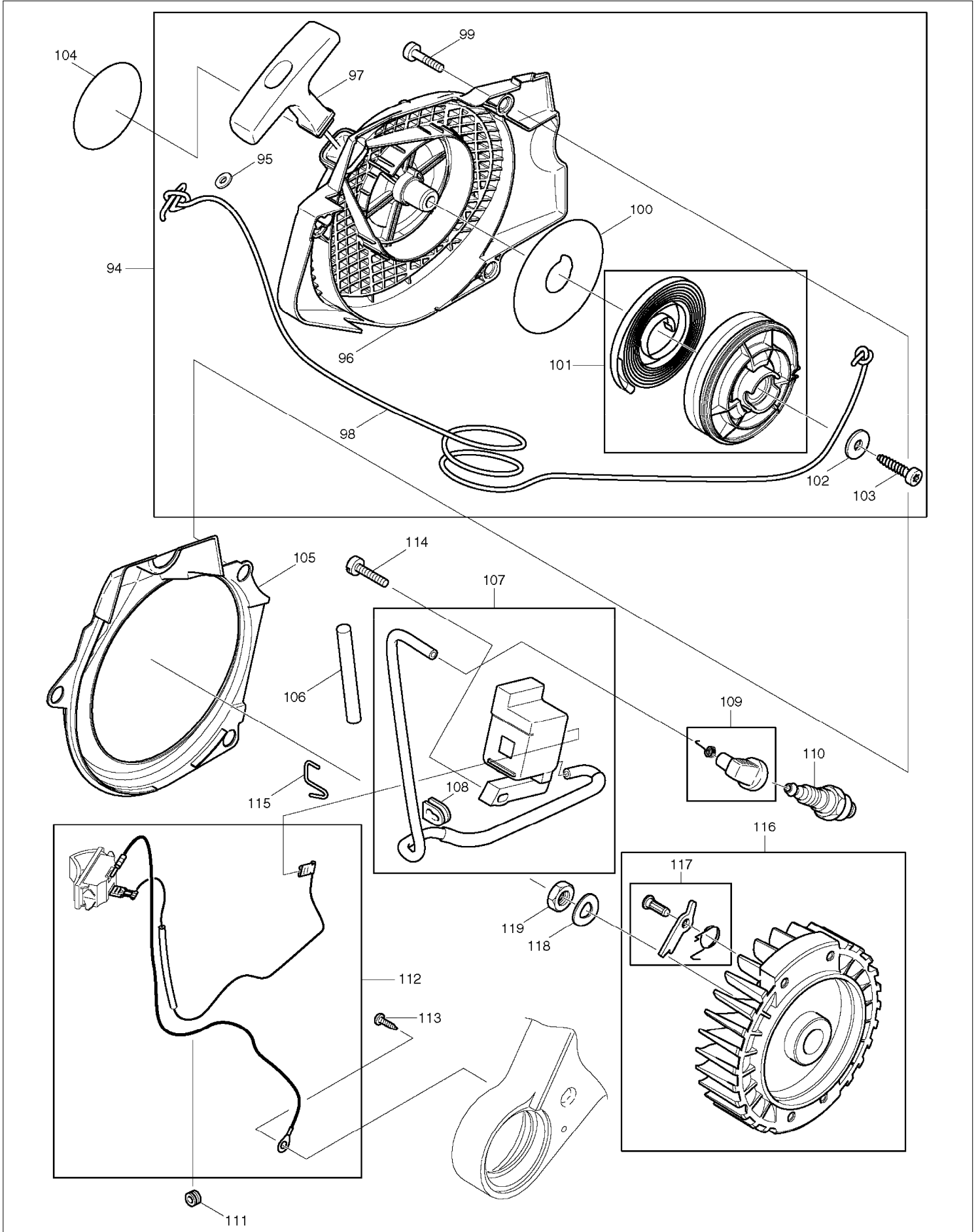
SERVICE DRAWING

MODEL NO. DCS7300



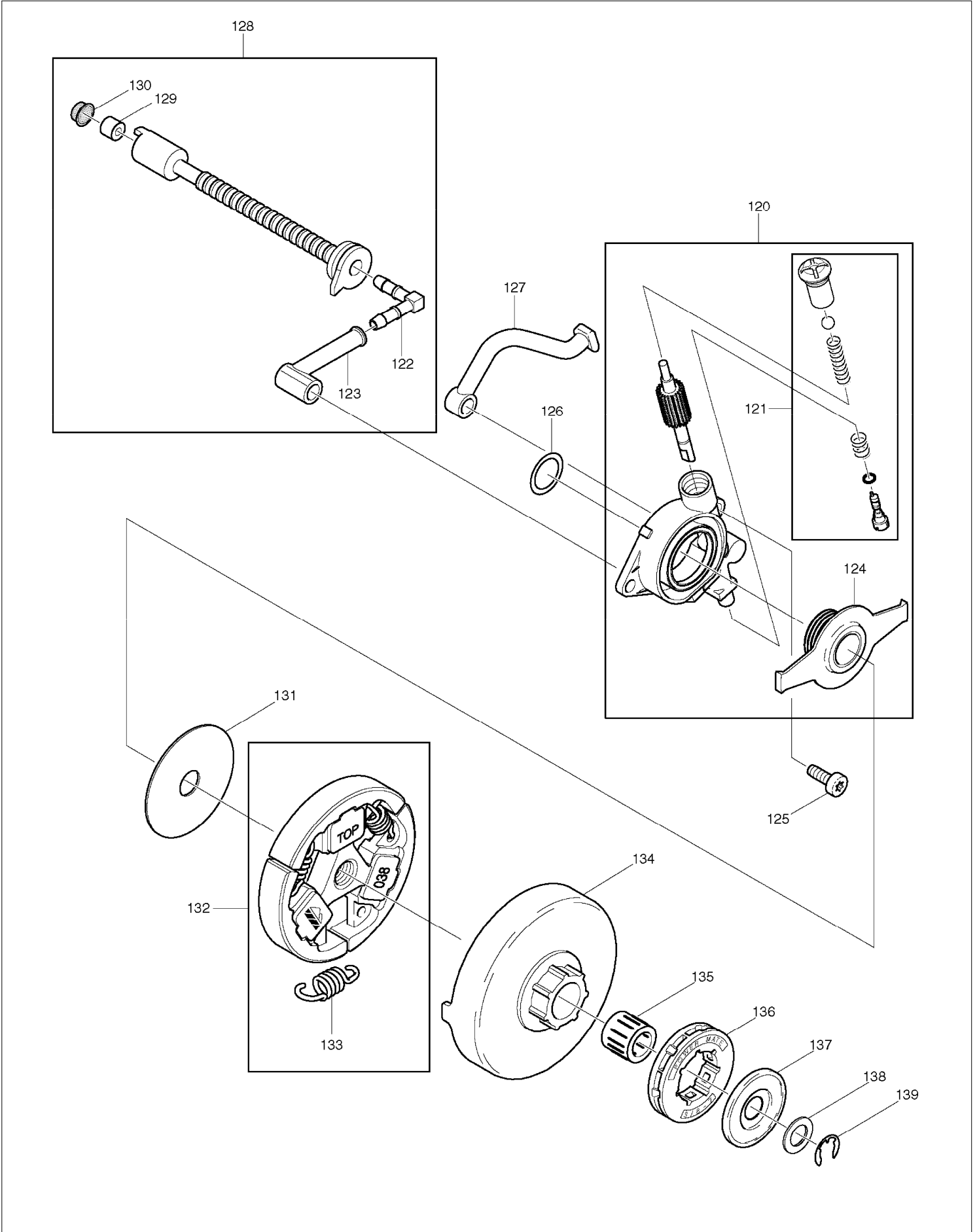
SERVICE DRAWING

MODEL NO. DCS7300



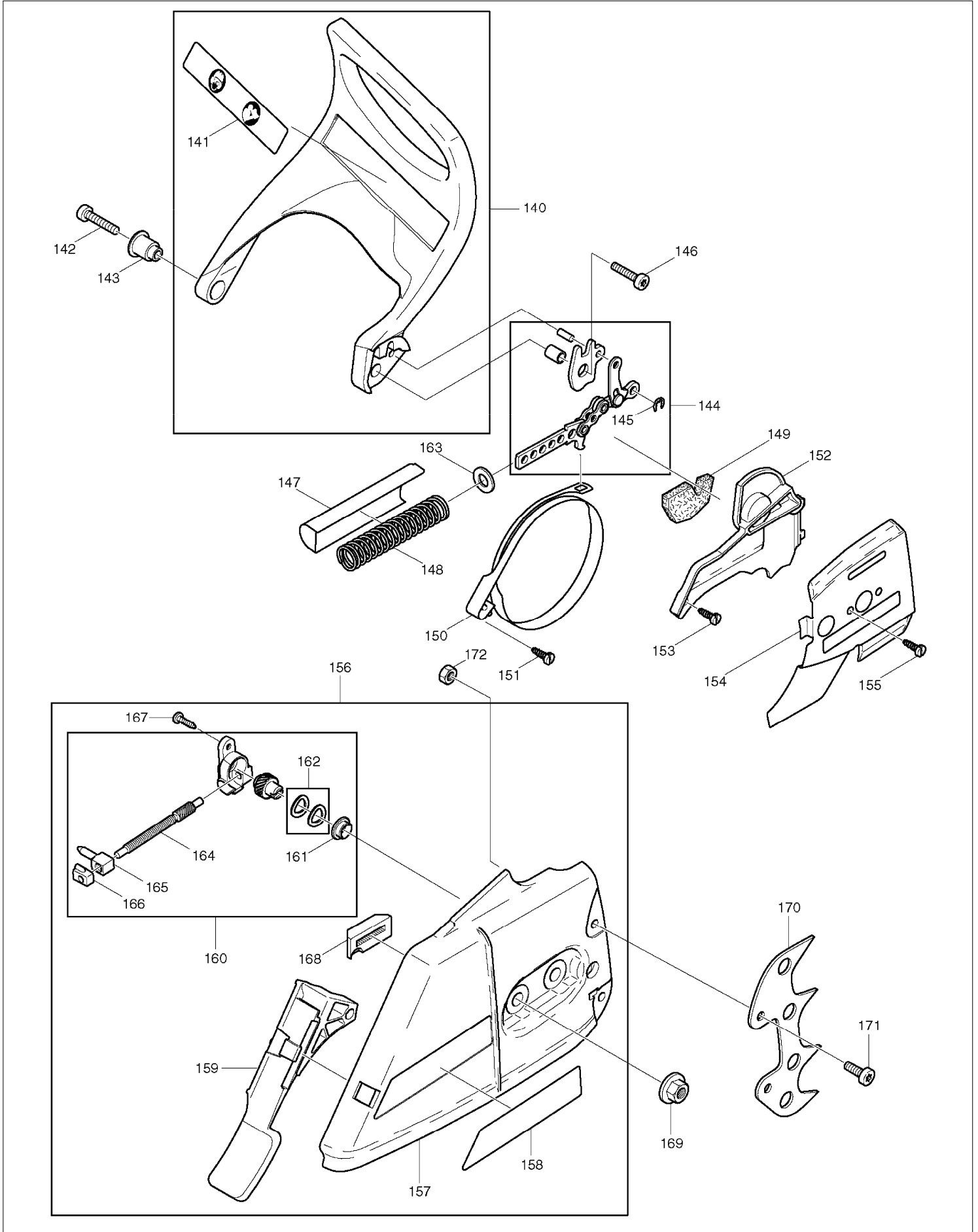
SERVICE DRAWING

MODEL NO. DCS7300



SERVICE DRAWING

MODEL NO. DCS7300



SERVICE DRAWING

MODEL NO. DCS7300

