

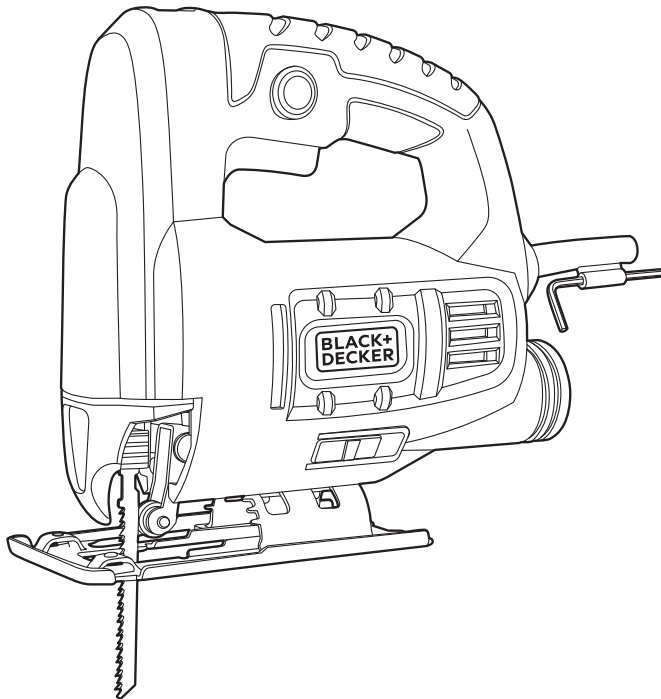


EN

TR

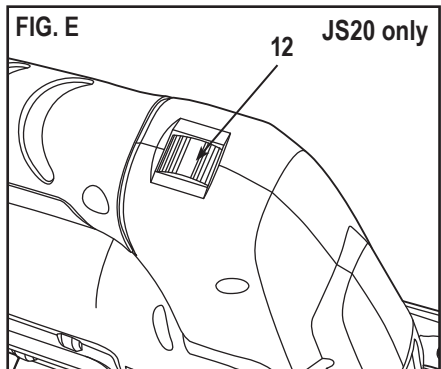
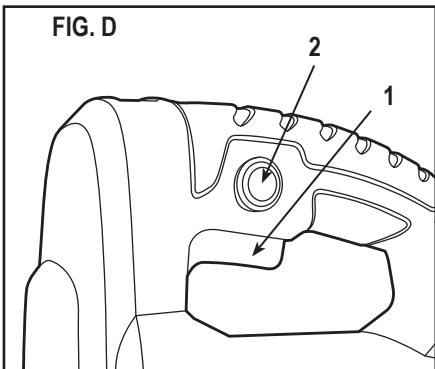
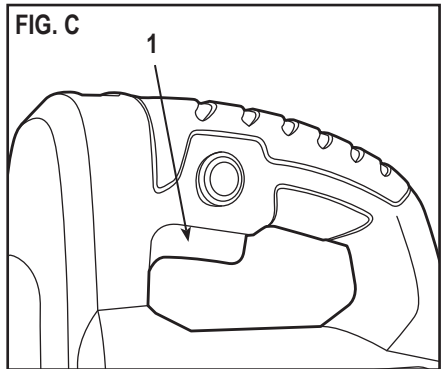
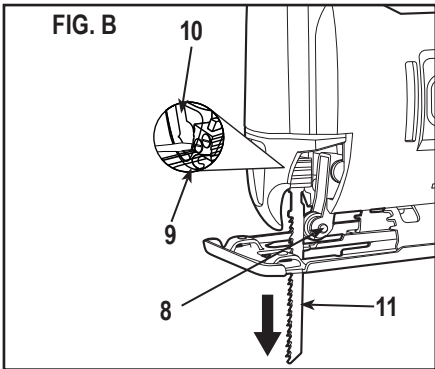
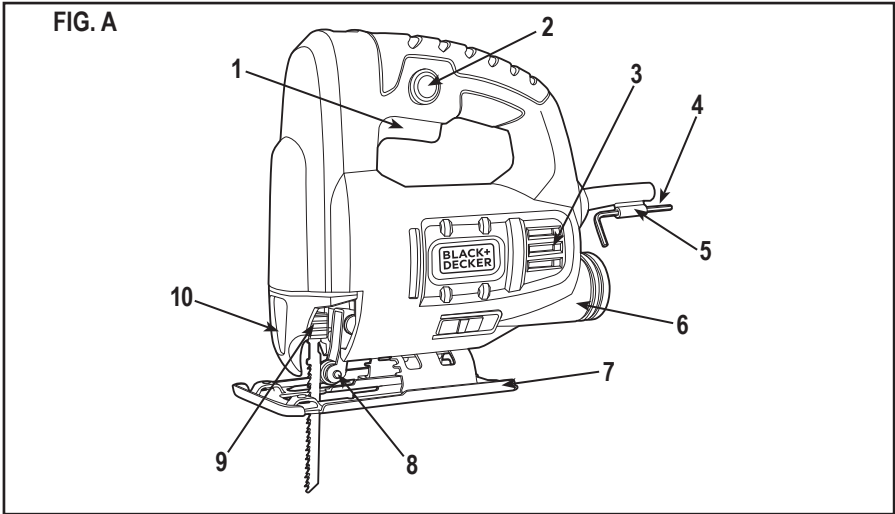
RU

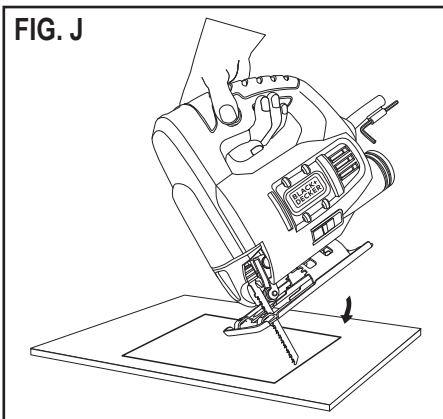
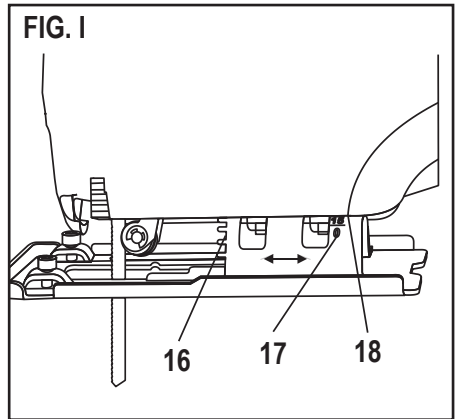
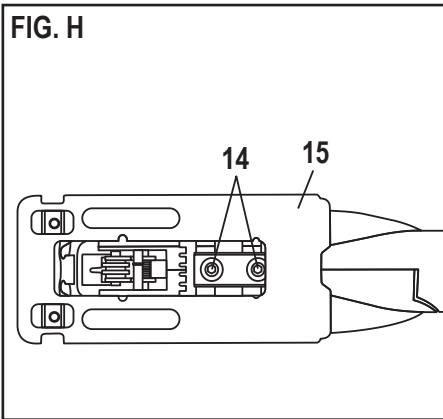
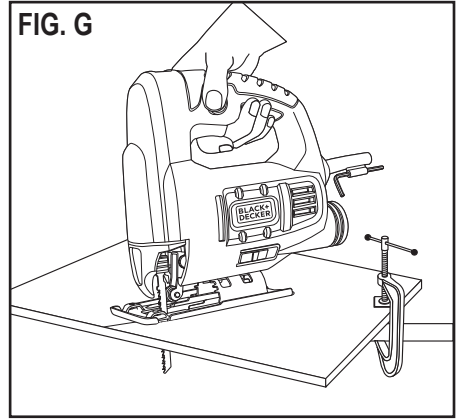
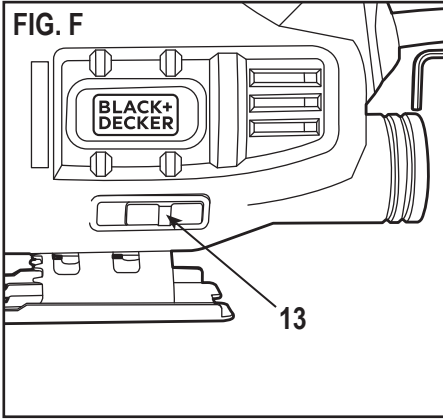
UA



[www.blackanddecker.com](http://www.blackanddecker.com)

**JS10**  
**JS20**





## Intended use

Your BLACK+DECKER™ JS10 and JS20 jigsaw has been designed for sawing wood, plastics and sheet metal. This tool is intended for consumer use only.

## GENERAL SAFETY RULES

**Warning!** Read and understand all instructions. Failure to follow all instructions listed below, may result in electric shock, fire and/or serious personal injury.

## SAVE THESE INSTRUCTIONS

### SAFETY INSTRUCTIONS

#### General power tool safety warnings.



**Warning! Read all safety warnings and all instructions.**

Failure to follow the warnings and instructions listed below may result in electric shock, fire and/or serious injury.

**Save all warnings and instructions for future reference.** The term “power tool” in all of the warnings listed below refers to your mains operated (corded) power tool or battery operated (cordless) power tool.

#### 1. Work Area Safety

- a. **Keep work area clean and well lit.**  
Cluttered and dark areas invite accidents.
- b. **Do not operate power tools in explosive atmospheres, such as in the presence of flammable liquids, gases or dust.** Power tools create sparks which may ignite the dust or fumes.
- c. **Keep children and bystanders away while operating a power tool.**  
Distractions can cause you to lose control.

#### 2. Electrical Safety

- a. **Power tool plugs must match the outlet. Never modify the plug in any way. Do not use any adapter plugs with earthed (grounded) power tools.** Unmodified plugs and matching outlets will reduce risk of electric shock.
- b. **Avoid body contact with earthed or grounded surfaces such as pipes, radiators, ranges and refrigerators.**

There is an increased risk of electric shock if your body is earthed or grounded.

- c. **Do not expose power tools to rain or wet conditions.** Water entering a power tool will increase the risk of electric shock.
- d. **Do not abuse the cord. Never use the cord for carrying, pulling or unplugging the power tool. Keep cord away from heat, oil, sharp edges or moving parts.** Damaged or entangled cords increase the risk of electric shock.
- e. **When operating a power tool outdoors, use an extension cord suitable for outdoor use.** Use of a cord suitable for outdoor use reduces the risk of electric shock.
- f. **If operating a power tool in a damp location is unavoidable, use a residual current device (RCD) protected supply.** Use of an RCD reduces the risk of electric shock.

#### 3. Personal Safety

- a. **Stay alert, watch what you are doing and use common sense when operating a power tool. Do not use a power tool while you are tired or under the influence of drugs, alcohol or medication.** A moment of inattention while operating power tools may result in serious personal injury.
- b. **Use personal protective equipment. Always wear eye protection.** Protective equipment such as dust mask, non-skid safety shoes, hard hat, or hearing protection used for appropriate conditions will reduce personal injuries.
- c. **Prevent unintentional starting. Ensure the switch is in the off-position before connecting to power source and/or battery pack, picking up or carrying the tool.** Carrying power tools with your finger on the switch or energising power tools that have the switch on invites accidents.
- d. **Remove any adjusting key or wrench before turning the power tool on.** A wrench or a key left attached to a rotating part of the power tool may result in personal injury.

e. **Do not overreach. Keep proper footing and balance at all times.** This enables better control of the power tool in unexpected situations.

f. **Dress properly. Do not wear loose clothing or jewellery. Keep your hair, clothing and gloves away from moving parts.** Loose clothes, jewellery or long hair can be caught in moving parts.

g. **If devices are provided for the connection of dust extraction and collection facilities, ensure these are connected and properly used.** Use of these devices can reduce dust related hazards.

#### 4. Power Tool Use and Care

a. **Do not force the power tool. Use the correct power tool for your application.**

The correct power tool will do the job better and safer at the rate for which it was designed.

b. **Do not use the power tool if the switch does not turn it on and off.** Any power tool that cannot be controlled with the switch is dangerous and must be repaired.

c. **Disconnect the plug from the power source and/or the battery pack from the power tool before making any adjustments, changing accessories, or storing power tools.** Such preventive safety measures reduce the risk of starting the power tool accidentally.

d. **Store idle power tools out of the reach of children and do not allow persons unfamiliar with the power tool or these instructions to operate the power tool.** Power tools are dangerous in the hands of untrained users.

e. **Maintain power tools. Check for misalignment or binding of moving parts, breakage of parts and any other condition that may affect the power tools operation. If damaged, have the power tool repaired before use.** Many accidents are caused by poorly maintained power tools.

f. **Keep cutting tools sharp and clean.** Properly maintained cutting tools with sharp cutting edges are less likely to bind

and are easier to control.

g. **Use the power tool, accessories and tool bits etc., in accordance with these instructions, taking into account the working conditions and the work to be performed.** Use of the power tool for operations different from those intended could result in a hazardous situation.

#### 5. Service

a. **Have your power tool serviced by a qualified repair person using only identical replacement parts.** This will ensure that the safety of the power tool is maintained.

### ADDITIONAL SAFETY WARNINGS FOR JIGSAWS AND RECIPROCATING SAWS

a. **Hold power tool by insulated gripping surfaces, when performing an operation where the cutting accessory may contact hidden wiring or its own cord.** Cutting accessory contacting a “live” wire may make exposed metal parts of the power tool “live” and could give the operator an electric shock.

b. **Use clamps or another practical way to secure and support the workpiece to a stable platform.** Holding the work by hand or against your body leaves it unstable and may lead to loss of control.

c. **Keep hands away from cutting area.** Never reach underneath the work piece any reason. Do not insert fingers or thumb into the vicinity of the reciprocating blade and blade clamp. Do not stabilize the saw by gripping the shoe.

d. **Keep blades sharp.** Dull or damaged blades may cause the saw to swerve or stall under pressure. Always use the appropriate type of saw blade for the workpiece material and type of cut.

e. **When cutting pipe or conduit, make sure that they are free from water, electrical wiring, etc.**

f. **Do not touch the workpiece or the blade immediately after operating the tool.** They can become very hot.

- g. **Be aware of hidden hazards, before cutting into walls, floors or ceilings, check for the location of wiring and pipes.**
- h. **The blade will continue to move after releasing the switch.** Always switch the tool off and wait for the saw blade to come to a complete standstill before putting the tool down.



**Warning!** Contact with, or inhalation of dusts arising from cutting applications may endanger the health of the operator and possible bystanders. Wear a dust mask specifically designed for protection against dust and fumes and ensure that persons within or entering the work area are also protected.

- i. **The intended use is described in this instruction manual.** The use of any accessory or attachment or performance of any operation with this tool other than those recommended in this instruction manual may present a risk of personal injury and/or damage to property.

**Electrical safety**



Your tool is double insulated; therefore no earth wire is required. Always check that the main voltage corresponds to the voltage on the rating plate.



**Warning!** If the power cord is damaged, it must be replaced by the manufacturer, authorized BLACK+DECKER Service Center or an equally qualified person in order to avoid damage or injury. If the power cord is replaced by an equally qualified person, but not authorized by BLACK+DECKER, the warranty will not be valid.

**Labels on tool**

The label on your tool may include the following symbols:



Read Instructions Manual

Hz ..... Hertz  
W ..... Watts



..... Class II Construction



Use Eye Protection

min ..... minutes



..... Earthing Terminal



Use Ear Protection

~ ..... Alternating Current



..... Safety Alert Symbol

----- Direct Current



.../min... Revolutions or Reciprocation per minute

V ..... Volts

A ..... Amperes

n<sub>0</sub> ..... No-Load Speed

**List of Contents**

- 1 Jigsaw
- 1 Hex key

**Position of date barcode**

The Date Code, which also includes the year of manufacture, is printed into the housing. Example:

2017 XX JN  
Year of manufacturing

**Safety of others**

- This appliance is not intended for use by persons (including children) with reduced physical, sensory or mental capabilities, or lack of experience and knowledge, unless they have been given supervision or instruction concerning use of the appliance by a person responsible for their safety.
- Children should be supervised to ensure that they do not play with the appliance.

**Residual risks**

Additional residual risks may arise when using the tool which may not be included in the enclosed safety warnings. These risks can arise from misuse, prolonged use etc.

Even with the application of the relevant safety regulations and the implementation of safety devices, certain residual risks can not be avoided. These include:

- Injuries caused by touching any rotating/moving parts.
- Injuries caused when changing any parts, blades or accessories.
- Injuries caused by prolonged use of a tool. When using any tool for prolonged periods ensure you take regular breaks.
- Impairment of hearing.
- Health hazards caused by breathing dust developed when using your tool (example: working with wood, especially oak, beech and MDF.)

## FEATURES (Fig. A)

1. Trigger switch
2. Lock-On button
3. Motor vents
4. 3 mm Hex key
5. Hex key holder
6. Dust port
7. Tilting sole plate
8. Blade roller
9. Blade screws
10. Chip guard

## ASSEMBLY & OPERATION



**Warning!** Before attempting any of the following operations, make sure that the tool is switched off and unplugged and that the saw blade has stopped. Used saw blades may be hot.



**Warning!** Always disconnect your jigsaw from the power source when replacing blades, tilting the sole plate, cleaning or when the tool is not in use. Disconnecting the jigsaw will prevent accidental starting that could cause serious personal injury.

### Blade options

Your jigsaw is designed to permit the use of many different saw tooth configurations.

### Installing blades (not included)

1. Unplug your jigsaw from the power source.

**Warning!** Failure to unplug your jigsaw from the power source could result in accidental starting causing serious injury.

2. Insert the slotted screwdriver through the access hole in the chip shield (10).

**Note:** Use the slotted screwdriver (not supplied) to loosen screws.

3. Loosen both blade clamp screws (9) and insert the saw blade (11) as far as possible into the slot in the blade clamp.

#### Notes:

- a) Ensure the blade is nested in the groove in the support roller (8).
  - b) The holes in universal fitting saw blades are not designed for alignment with the screw holes in the blade clamp.
4. Tighten both blade clamp screws (9) securely against the blade.

To remove the jigsaw blade:

1. Unplug your jigsaw.
2. Loosen blade clamp screws (9) using the slotted screwdriver.
3. Remove the blade.

### On/Off trigger switch (Fig. C)

To turn your jigsaw ON, depress the trigger switch (1). To turn the saw OFF, release the trigger switch.

### Lock-on button (Fig. D)

Your jigsaw is equipped with a lock-on feature, which is convenient when continuous cutting for extended periods of time is required. To lock the switch ON, depress the trigger switch (1), push in and hold the lock-on button (2), then release the trigger. Release the lock-on button and your jigsaw will continue running. Depress and release the trigger switch to release lock.

**Note:** The lock-on button can be accessed from left side of the handle.

### Variable speed control (Fig. E) (only JS20)

Set the jigsaw speed by rotating the variable speed control wheel (12) to the appropriate speed. Rotating the variable speed control wheel toward the rear of the jigsaw will result in slower speeds. Position the speed control dial at "1" for the slowest speed, "3" for medium speed and at "6" for the highest speed.

## Vacuum port switch (Fig. F)

During normal use without the vacuum connected, the vacuum port switch (13) must be slid toward the rear of the tool. This will allow the internal motor fan to continuously blow the sawdust away from the cutting mark. When the vacuum is connected, the vacuum port switch must be slid toward the front of the tool. This positions the internal baffle to divert the sawdust through the vacuum port so it can be evacuated by the workshop vacuum.

## OPERATION

**Warning!** Never use the tool when the saw shoe plate is loose or removed.

### General cutting

**Warning!** Keep hands and fingers away from the space between the motor housing and the blade clamp. Do not reach underneath workpiece while the saw is running.

Rest the front of the sole plate on the workpiece and align the cutting edge of the blade with the cutting line on your workpiece (Fig. G). Make sure the power cord is out of your way and not in the path the blade will follow. Start your saw and move it toward the workpiece. Apply enough downward pressure to keep the saw steady and only enough forward pressure to keep the blade cutting freely.

**Warning!** Do not force the saw. Forcing the saw may overheat the motor and break saw blades.

### Bevel cutting

Bevel cutting angles may be adjusted from zero to 45° either left or right. To adjust the bevel angle:

1. Loosen both sole plate pivot screws (14) until the sole plate (15) can be rotated (Fig. H).

**Note:** Use the 3 mm hex key supplied.

2. Bevel angles (17) are marked on a scale located on the side of the sole plate (Fig. I).

3. Slide the sole plate back. Align the edge

of the motor housing (18) with the desired angle mark (17) on the side of the base, then slide the sole plate forward to engage the notches (16) into the motor housing pin.

**Note:** Angle marks on the sides of the jigsaw base are for reference only. Operator should use a protractor to verify angles.

4. Once the desired bevel angle is obtained, lock the sole plate by tightening the sole plate pivot screws.
5. Make a test cut in a scrap piece of material and measure the bevel angle. Adjust bevel angle if necessary.

## HINTS FOR OPTIMUM USE

### Sawing laminates

When cutting laminates, splintering may occur which can damage the presentation surface. The most common saw blades cut on the upward stroke, therefore if the shoe plate is sitting on the presentation surface either use a saw blade that cuts on the downward stroke or:

- Use a fine-tooth saw blade.
- Saw from the back surface of the workpiece.
- To minimise splintering, clamp a piece of scrap wood or hardboard to both sides of the workpiece and saw through this sandwich.

### Sawing metal

**Warning!** Do not use a vacuum when cutting metal. Metal filings will be hot and may cause fire. Be aware that sawing metal takes much more time than sawing wood.

- Use a saw blade suitable for sawing metal.
- When cutting thin sheet metal, clamp a piece of scrap wood to the back surface of the workpiece and cut through this sandwich.
- Spread a film of oil along the intended line of cut.



## Plunge cutting

**Warning!** To avoid loss of control, broken blades or damage to the workpiece, always use extreme caution when making plunge cuts. It is not recommended to plunge cut any material other than wood. Wherever possible, drill a 3/8" (8 mm) or bigger pilot hole in the area to be cut out and start cutting with the blade in the pilot hole. This will avoid the need to plunge cut.

**Note:** Use only blades with 7 teeth per inch for plunge cutting.

1. To plunge cut an inside hole, clearly mark the cutting line on the workpiece.
2. Set the bevel angle at 0° then lock the sole plate.
3. Tilt the saw forward so it rests on the front edge of the sole plate and in a position so the blade will NOT touch the workpiece when the switch is turned ON (Fig. J).

**Note:** Make sure the saw blade is inside the area to be cut.

4. Start the saw and slowly lower the blade onto the workpiece while making sure the front of the sole plate remains in contact with the workpiece. Allow the blade to cut through the wood.
5. Continue lowering the blade into the workpiece until the sole plate rests flat on the workpiece. Continue sawing toward the cutting line and complete the cut as required.

## Metal cutting

Many types of metal can be cut with your jigsaw. When cutting any kind of material, be careful not to twist or bend the blades. Do not force the blade. If the blade chatters or vibrates excessively, use a finer tooth blade. If the blade heats excessively, reduce speed of cutting. If the blade teeth become clogged when cutting soft metals such as aluminum, use a coarser blade with fewer teeth per inch. Clamp all work firmly and saw as close as possible to the clamping point to eliminate any vibration of the work being cut.

When cutting conduit, pipe or angle iron, clamp work in a vise if possible and saw close to the vise. To cut thin sheet materials, "sandwich" the material between hardboard or plywood and clamp the layers to eliminate material vibration and tearing. By doing this, the material will be cut smoothly. Lay out your pattern or cutting lines on top of the "sandwich".

## MAINTENANCE

### General

**Warning!** Do not at any time allow solvents such as brake fluids, gasoline, petroleum-based products, penetrating oils, etc. to come in contact with plastic parts. They contain chemicals that can damage, weaken or destroy plastic. Use a clean dry cloth to remove dirt, dust, oil, grease, etc.

**Warning!** Use safety goggles when using an air jet to blow dust out of the jigsaw. Using this jigsaw for cutting fiberglass, wallboard or plaster will result in accelerated wear due to the abrasive nature of these materials. It is important that you clean the jigsaw frequently when cutting these materials. DO NOT abuse power tools. Abusive practices can damage the tool as well as the workpiece.

**Warning!** DO NOT attempt to modify this jigsaw or create accessories not recommended for this jigsaw. Any such alteration or modification is misuse and could result in a hazardous condition leading to possible serious injury. It will also void the warranty.

Your BLACK+DECKER tool has been designed to operate over a long period of time with a minimum of maintenance. Continuous satisfactory operation depends upon proper tool care and regular cleaning.

- Regularly clean the ventilation slots in your tool using a soft brush or dry cloth.
- Regularly clean the motor housing using a damp cloth. Do not use any abrasive or solvent-based cleaner. Never let any liquid get inside the tool and never immerse any part of the tool into liquid.

**Important!** To assure product **SAFETY** and **RELIABILITY**, repairs, maintenance and adjustment (other than those listed in this manual) should be performed by authorized service centers or other qualified service personnel, always using identical replacement parts.

## LUBRICATION

All of the bearings in this jigsaw are lubricated with a sufficient amount of high-grade lubricant for the life of the unit under normal conditions. Therefore, no further lubrication is required.

## Protecting the environment



Separate collection. This product must not be disposed of with normal household waste.

Should you find one day that your BLACK+DECKER product needs replacement, or if it is of no further use to you, do not dispose of it with household waste. Make this product available for separate collection.



Separate collection of used products and packaging allows materials to be recycled and used again. Reuse of recycled materials helps prevent environmental pollution and reduces the demand for raw materials.

Local regulations may provide for separate collection of electrical products from the household, at municipal waste sites or by the retailer when you purchase a new product.

BLACK+DECKER provides a facility for the collection and recycling of BLACK+DECKER products once they have reached the end of their working life. To take advantage of this service please return your product to any authorised repair agent who will collect them on our behalf.

You can check the location of your nearest authorised repair agent by contacting your local BLACK+DECKER office at the address indicated in this manual. Alternatively, a list of authorised BLACK+DECKER repair agents and full details of our after-sales service and contacts are available on the Internet at: [www.2helpU.com](http://www.2helpU.com).

## SERVICE INFORMATION

BLACK+DECKER offers a full network of company-owned and authorized service locations. All BLACK+DECKER Service Centers are staffed with trained personnel to provide customers with efficient and reliable power tool service. For more information about our authorized service centers and if you need technical advice, repair, or genuine factory replacement parts, contact the BLACK+DECKER location nearest you, or visit us at [www.blackanddecker.com](http://www.blackanddecker.com)

## NOTE

- BLACK+DECKER's policy is one of continuous improvement to our products and, as such, we reserve the right to change product specifications without prior notice.
- Standard equipment and accessories may vary by country.
- Product specifications may differ by country.
- Complete product range may not be available in all countries. Contact your local BLACK+DECKER dealers for range availability.

## SPECIFICATIONS

	JS10	JS20
Power	400W	400W
Blade speed	3000/min	1000-3000/min
Stroke length	18 mm	18 mm
Cutting depth @ 90°	65 mm in wood	65 mm in wood
	6 mm in steel	6 mm in steel
Sole plate tilt	0-45°	0-45°

### Level of sound pressure according to EN 60745:

Sound pressure ( $L_{pA}$ ) 87,0 dB(A), uncertainty (K) 3 dB(A)  
 Sound power ( $L_{WA}$ ) 98,0 dB(A), uncertainty (K) 3 dB(A)

**Vibration total values (triax vector sum)  
according to EN 60745:**Cutting sheet metal ( $a_{h,M}$ ) 9,3 m/s<sup>2</sup>,uncertainty (K) 1.5 m/s<sup>2</sup>Cutting boards ( $a_{h,B}$ ) 11,5 m/s<sup>2</sup>,uncertainty (K) 1.5 m/s<sup>2</sup>**EC declaration of conformity**  
MACHINERY DIRECTIVE**JS10, JS20 - Jig Saw**

BLACK+DECKER declares that these products described under "Technical data" are in compliance with: 2006/42/EC, EN 60745-1:2009 + A11:2010, EN 60745-2-11:2010

These products also comply with Directive 2014/30/EU and 2011/65/EU.

For more information, please contact BLACK+DECKER at the following address or refer to the back of the manual.

The undersigned is responsible for compilation of the technical file and makes this declaration on behalf of BLACK+DECKER.

**R. Laverick**

Engineering Manager  
BLACK+DECKER Europe, 210 Bath Road,  
Slough,  
Berkshire, SL1 3YD  
United Kingdom  
03.2017

**Guarantee**

BLACK+DECKER is confident of the quality of its products and offers an outstanding guarantee. This guarantee statement is in addition to and in no way prejudices your statutory rights.

If a BLACK+DECKER product becomes defective due to faulty materials, workmanship or lack of conformity, within 24 months from the date of purchase, BLACK+DECKER guarantees to replace defective parts, repair products subjected to fair wear and tear or replace such products to make sure of the minimum inconvenience to the customer unless:

- The product has been used for trade, professional or hire purposes.
- The product has been subjected to misuse or neglect.
- The product has sustained damage through foreign objects, substances or accidents.
- Repairs have been attempted by persons other than authorised repair agents or Black + Decker service staff.

To claim on the guarantee, you will need to submit proof of purchase to the seller or an authorised repair agent. You can check the location of your nearest authorised repair agent by contacting your local BLACK+DECKER office at the address indicated in this manual. Alternatively, a list of authorised BLACK+DECKER repair agents and full details of our aftersales service and contacts are available on the Internet at: [www.2helpU.com](http://www.2helpU.com)

## Kullanım amacı

BLACK+DECKER™ JS10 ve JS20 dekupaj testereniz ahşap, plastik ve sac metal kesimi için tasarlanmıştır. Bu alet sadece hafif hizmet ve hobi kullanımı içindir.

## GENEL GÜVENLİK KURALLARI

**Uyarı!** Bütün güvenlik uyarılarını ve talimatlarını okuyun ve anlayın. Aşağıda belirtilen tüm talimatların herhangi birisine uyulmaması elektrik çarpması, yangın ve/veya ciddi yaralanma riskine neden olabilir.

## BU TALİMATLARI SAKLAYIN

### GÜVENLİK TALİMATLARI

#### Genel elektrikli alet güvenlik uyarıları



**Uyarı!** Bütün güvenlik uyarılarını ve talimatlarını mutlaka okuyun.

Aşağıda yer alan uyarılar ve talimatların herhangi birisine uyulmaması elektrik çarpması, yangın ve/veya ciddi yaralanma riskine neden olabilir.

**Bütün uyarı ve güvenlik talimatlarını ileride bakmak üzere saklayın.** Aşağıda yer alan uyarılardaki «elektrikli alet» terimi şebeke elektriğiyle (kablolu) veya akü/pille (şarjlı) çalışan elektrikli aletinizi ifade etmektedir.

#### 1. Çalışma Alanının Güvenliği

##### a. Çalışma alanını temiz ve aydınlık tutun.

Karışık ve karanlık alanlar kazaya davetiye çıkarır.

##### b. Elektrikli aletleri, yanıcı sıvılar, gazlar ve tozların bulunduğu yerler gibi yanıcı ortamlarda çalıştırmayın.

Elektrikli aletler, toz veya dumanları ateşleyebilecek kıvılcımlar çıkarır.

##### c. Bir elektrikli aleti çalıştırırken çocuklardan ve etraftaki kişilerden uzak tutun.

Dikkatinizi dağıtıcı şeyler kontrolü kaybetmenize neden olabilir.

#### 2. Elektrik Güvenliği

##### a. Elektrikli aletlerin fişleri prizlere uygun olmalıdır. Fiş üzerinde kesinlikle hiçbir değişiklik yapmayın. Topraklı elektrikli aletlerde hiçbir adaptör fişi kullanmayın.

Değiştirilmemiş fişler ve uygun prizler elektrik çarpması riskini azaltacaktır.

##### b. Borular, radyatörler, ocaklar ve buzdolapları gibi topraklanmamış yüzeylerle vücut temasından kaçının.

Vücudunuzun topraklanması halinde yüksek bir elektrik çarpması riski vardır.

##### c. Elektrikli aletleri yağmura maruz bırakmayın veya ıslatmayın.

Elektrikli alete su girmesi elektrik çarpması riskini arttıracaktır.

##### d. Elektrik kablosunu uygun olmayan amaçlarla kullanmayın. Elektrikli aleti kesinlikle kablosundan tutarak taşımayın, çekmeyin veya prizden çıkartmayın. Kabloyu sıcağın, yağdan, keskin kenarlardan veya hareketli parçalardan uzak tutun.

Hasarlı veya dolanmış kablolar elektrik çarpması riskini artırır.

##### e. Elektrikli bir aleti açık havada çalıştırıyorsanız, açık havada kullanıma uygun bir uzatma kablosu kullanın.

Açık havada kullanıma uygun bir kablunun kullanılması elektrik çarpması riskini azaltır.

##### f. Eğer bir elektrikli aletin nemli bir bölgede çalıştırılması zorunluysa, bir artık akım aygıtı (RCD) korumalı bir kaynak kullanın.

Bir RCD kullanılması elektrik şoku riskini azaltır. Not: «Artık Akım Aygıtı (RCD)» tanımı, «Kaçak Akım Koruma Cihazı (GFCI)» veya «Toprak Kaçağı Devre Kesici (ELCB)» tanımları ile değiştirilebilir.

#### 3. Kişisel Güvenlik

##### a. Elektrikli bir aleti kullanırken her zaman dikkatli olun, yaptığınız işe yoğunlaşın ve sağlıklı davranın.

Elektrikli bir aleti yorgunluk veya ilaç ya da alkolün etkisi altındayken kullanmayın. Elektrikli aletleri kullanırken bir anlık dikkatsizlik ciddi kişisel yaralanmayla sonuçlanabilir.

##### b. Kişisel koruyucu ekipmanları mutlaka kullanın. Daima koruyucu gözlük takın.

Koşullara uygun toz maskesi, kaymayan güvenlik ayakkabıları, baret veya kulaklık gibi koruyucu donanımların kullanılması kişisel yaralanmaları azaltacaktır.

c. İstem dışı çalıştırılmasını önleyin. Aleti güç kaynağına ve/veya aküye bağlamadan, yerden kaldırmadan veya taşımadan önce açma/kapama düğmesinin kapalı konumda olduğundan emin olun. Aleti, parmağınız tetik üzerinde bulunacak şekilde taşımak veya açık konumdaki elektrikli aletleri elektrik şebekesine bağlamak kazaya davetiye çıkartır.

d. Elektrikli aleti açmadan önce tüm ayarlama anahtarlarını çıkartın. Elektrikli aletin hareketli bir parçasına takılı kalmış bir anahtar kişisel yaralanmaya neden olabilir.

e. Ulaşmakta zorlandığınız yerlerde kullanmayın. Daima sağlam ve dengeli basın. Bu, beklenmedik durumlarda elektrikli aletin daha iyi kontrol edilmesine olanak tanır.

f. Uygun şekilde giyinin. Bol elbiseler giymeyin ve takı takmayın. Saçınızı, elbiselerinizi ve eldivenlerinizi hareketli parçalardan uzak tutun. Bol elbiseler ve takılar veya uzun saç hareketli parçalara takılabilir.

g. Eğer kullandığınız üründe toz emme ve toplama özellikleri olan ataşmanlar varsa bunların bağlı olduğundan emin olun. Bu ataşmanların kullanılması tozla ilgili tehlikeleri azaltabilir.

#### 4. Elektrikli Aletlerin Kullanımı ve Bakımı

a. Elektrikli aleti zorlamayın. Uygulanamaz için doğru elektrikli aleti kullanın. Doğru elektrikli alet, belirlendiği kapasite ayarında kullanıldığında daha iyi ve güvenli çalışacaktır.

b. Tetik açmıyor ve kapatmıyorsa elektrikli aleti kullanmayın. Düğmeyle kontrol edilemeyen tüm elektrikli aletler tehlikelidir ve tamir edilmesi gerekmektedir.

c. Herhangi bir ayarlama, aksesuar değişimi veya elektrikli aletlerin saklanması öncesinde fişi güç kaynağından çekin ve/veya aküyü elektrikli aletten ayırın. Bu tür önleyici güvenlik tedbirleri aletin istem dışı olarak çalıştırılması riskini azaltacaktır.

d. Elektrikli aleti, çocukların

ulaşamayacağı yerlerde saklayın ve elektrikli aleti tanımayan veya bu talimatları bilmeyen kişilerin elektrikli aleti kullanmasına izin vermeyin. Elektrikli aletler, eğitimsiz kullanıcıların elinde tehlikelidir.

e. Elektrikli aletleri iyi durumda muhafaza edin. Hareketli parçalardaki hizalama hatalarını ve tutuklukları, parçalardaki kırılmalar ve elektrikli aletin çalışmasını etkileyebilecek tüm diğer koşulları kontrol edin. Hasarlı ise, elektrikli aleti kullanmadan önce tamir ettirin. Kazaların çoğu, elektrikli aletlerin bakımının yeterli şekilde yapılmamasından kaynaklanır.

f. Kesim aletlerini keskin ve temiz tutun. Bakımı uygun şekilde yapılmış keskin kesim uçlu kesim aletlerinin sıkışma ihtimali daha düşüktür ve kontrol edilmesi daha kolaydır.

g. Elektrikli aleti, aksesuarlarını ve aletin diğer parçalarını kullanırken bu talimatlara mutlaka uyun ve çalışma ortamının koşullarını ve yapılacak işin ne olduğunu göz önünde bulundurun. Elektrikli aletin öngörülen işlemler dışındaki işlemler için kullanılması tehlikeli durumlara neden olabilir.

#### 5. Servis

a. Elektrikli aletinizi, sadece orijinal yedek parçaların kullanıldığı yetkili servise tamir ettirin. Bu, elektrikli aletin güvenliğinin muhafaza edilmesini sağlayacaktır.

#### Dekupaj ve tilki kuyruğu testereleri için ek güvenlik talimatları

a. Kesme aksesuarının gizli kablolarına veya kendi kabloşuna temas edebileceği yerlerde çalışma yaparken elektrikli aleti yalıtımlı kavrama yüzeylerinden tutun. Kesme aksesuarının «akım taşıyan» bir kabloya temas etmesi durumunda elektrikli aletin metal kısımları da «akım taşıyıcı» hale gelecek ve kullanıcının elektrik çarpmasına neden olabilir.

b. Üzerinde çalıştığınız parçayı sabitlemek ve desteklemek için kelepçeler veya başka pratik yöntemler kullanın. Parçayı elle veya vücudunuza dayamanız dengesiz durmasına neden olacaktır ve aletin kontrolünü kaybetmenize yol açabilir.

- c. Ellerinizi kesim alanından uzak tutun.** Çalıştığınız parçanın altına hiçbir nedenle girmeyin. Pistonlu bıçak ve bıçak kelepçesinin yakınına parmaklarınızı veya başparmağınızı sokmayın. Testereyi tabanından tutarak dengelemeye çalışmayın.
- d. Bıçakları keskin durumda muhafaza edin.** Körelmiş veya hasarlı bıçaklar testerenin basınç altında başka bir yöne fırlamasına veya sıkışmasına neden olabilir. Her zaman, üzerinde çalışılan malzeme ve kesim tipine uygun tipte testere bıçağı kullanın.
- e. Boru veya kanal keserken içlerinden su, elektrik kablosu vb. geçmediğinden emin olun.**
- f. Aletle çalıştıktan sonra çalışma parçası veya bıçağı dokunmayın.** Çok sıcak olabilirler.
- g. Duvarlarda, zeminlerde veya tavanlarda kesim yapmadan önce gizli tehlikelere karşı dikkatli olun; kablo ve boruların yerlerini kontrol edin.**
- h. Bıçak, tetik bırakıldıktan sonra da hareket etmeye devam edecektir.** Aleti yere bırakmadan önce daima kapatın ve testere bıçağının tamamen durmasını bekleyin.



**Uyarı!** Kesim uygulamaları nedeniyle açığa çıkan tozla temas, operatörün ve çevrede bulunanların sağlığını tehlikeye atabilir. Toz ve dumanlara karşı korunma için özel olarak tasarlanmış bir tiz maskesi kullanın ve çalışma alanına giren veya bu alanda bulunan kişilerin de korunduğundan emin olun.

- i. Kullanım amacı bu kullanım kılavuzunda açıklanmıştır.** Herhangi bir aksesuarın veya bağlantının ya da işlemin, bu kılavuzda tavsiye edilen şekilde başka bir şekilde kullanılması şahısların yaralanmalarına ve/veya mal kaybına yol açabilir.

## Elektrik güvenliği



Bu alet çift yalıtımlıdır. Bu yüzden hiçbir topraklama kablosuna gerek yoktur. Her zaman şebeke geriliminin aletin üretim etiketinde belirlenmiş değerlere uyup uymadığını kontrol edin.



**Uyarı!** Elektrik kablosu hasarlı ise, bir tehlike oluşmasını önlemek için üretici ya da yetkili BLACK+DECKER Servis Merkezi tarafından değiştirilmelidir. Elektrik kablosu BLACK+DECKER yetkili servisi haricinde değiştirilirse, garanti geçerli olmayacaktır.

## Alet üzerindeki etiketler

Aletin etiketinde aşağıdaki semboller bulunabilir:



Tüm talimatları okuyun.

H<sub>z</sub> ..... Hertz



..... Sınıf Yapısı



Koruyucu gözlük takın.

W ..... Watt



..... Topraklı terminal

min ..... dakikalar

~ ..... Dalgalı akım



..... Güvenlik uyarı sembolü



Kulaklık takın.

— ..... Doğru akım

..... /min..

Dakikada devir veya darbe sayısı

V ..... Volt

A ..... Amper

n<sub>0</sub> ..... Yüksüz hızı

## İçerik listesi

- 1 Dekupaj testere
- 1 Altıgen anahtar

## Tarih kodu konumu

İmalat yılını da içeren Tarih Kodu gövdeye basılıdır.  
Örnek:

2017 XX JN  
İmalat Yılı

## Diğer kişilerin güvenliği

- Bu alet fiziksel ve zihinsel kapasitesinin yanı sıra algılama gücü azalmış olan veya yeterince deneyim ve bilgisi bulunmayan kişiler (çocuklar dahil) tarafından kullanılmak üzere üretilmemiştir. Bu tür kişiler aleti ancak güvenliklerinden sorumlu bir kişi tarafından aletin kullanımıyla ilgili talimatların verilmesi veya sürekli kontrol altında tutulması durumunda kullanabilir.
- Çocuklar, aletle oynamalarını önlemek amacıyla kontrol altında tutulmalıdır.

## Diğer tehlikeler

Aletin kullanımıyla ilgili ekte sunulan güvenlik uyarılarına dahil olmayan ilave kalıcı riskler ortaya çıkabilir. Bu riskler, hatalı, uzun süreli kullanım vb. dolayısıyla ortaya çıkabilir.

Emniyet tedbirlerini düzenleyen yönetmeliğin uygulanmasına ve emniyet sağlayıcı aygıtların kullanılmasına rağmen, başka belirli risklerden kaçınılamaz. Bunlar:

- Aletin dönen ve hareket eden parçalarına dokunma sonucu ortaya çıkan yaralanmalar.
- Herhangi bir parçayı, bıçak veya aksesuarı değiştirirken ortaya çıkan yaralanmalar.
- Aletin uzun süreli kullanılması sonucu ortaya çıkan yaralanmalar. Herhangi bir aleti uzun sürelerle kullanacaksanız düzenli olarak çalışmanıza ara verin.
- Duma bozukluğu.
- Aleti kullanırken ortaya çıkan tozun solunması sonucu ortaya çıkan sağlık sorunları (örnek: ahşapta çalışırken, özellikle meşe, akgürgen ve MDF).

## ÖZELLİKLER (ŞEKİL A)

1. Açma/kapama tetiği
2. Kesintisiz çalıştırma düğmesi
3. Motor hava çıkışları
4. 3mm altıgen anahtar
5. Altıgen anahtar tutucusu
6. Toz atma çıkışı
7. Ayarlanabilir testere tabanı
8. Testere bıçağı destek silindiri
9. Bıçak vidaları
10. Siperlik

## MONTAJ VE KULLANIM



**Uyarı!** Aşağıdaki işlemlerden herhangi birini gerçekleştirmeden önce, aletin kapalı ve fişinin çekili olduğundan ve testere bıçağının

durduğundan emin olun. Kullanılmış testere bıçakları sıcak olabilir.



**Uyarı!** Bıçakları değiştirirken, testere tabanını döndürürken, temizlik yaparken veya alet kullanılmadığında daima dekupaj testereyi güç kaynağından ayırın. Dekupaj testereyi güç kaynağından ayırmak, ciddi kişisel yaralanmalara neden olabilecek istem dışı çalıştırmayı önler.

## Bıçak seçenekleri

Dekupaj testereniz, birçok farklı dişli testere bıçaklarını kullanılmasına izin verecek şekilde tasarlanmıştır.

## Bıçakların takılması (alet ile birlikte verilmemektedir)

1. Dekupaj testerenizi güç kaynağından ayırın.

**Uyarı!** Dekupaj testerenizi güç kaynağından ayırmaması, ciddi kişisel yaralanmalara neden olabilecek istem dışı çalıştırmaya neden olabilir.

2. Oluklu tornavidayı siperlikte (10) bulunan erişim deliğine sokun.

**Not:** Vidaları gevşetmek için oluklu tornavidayı kullanın (alet ile birlikte verilmemektedir).

3. Her iki bıçak vidasını (9) gevşetin ve bıçağı (11) bıçak kelepçesindeki yuvaya mümkün olduğu kadar sokun.

## Notlar:

- a. Bıçağın destek silindirindeki (8) oyuğa sokulduğundan emin olun.
  - b. Universal testere bıçakları, bıçak kelepçesindeki vida delikleriyle hizalanmak için tasarlanmamıştır.
4. Her iki bıçak vidasını (9) bıçağa dayanacak kadar sıkıştırın.

Testere bıçağını çıkarmak için:

1. Dekupaj testerenizi güç kaynağından ayırın.
2. Oluklu tornavidayı kullanarak bıçak vidalarını (9) gevşetin.
3. Bıçağı çıkartın.



## Açma/kapama tetiği (Şekil C)

Dekupaj testereyi çalıştırmak için açma/kapama tetiğine (1) basın. Testereyi durdurmak için, açma/kapama tetiği bırakın.

## Kesintisiz çalıştırma düğmesi (Şekil D)

Dekupaj testereniz, uzun süre kesintisiz kesilmesi gerektiğinde kullanışlı bir kesintisiz çalıştırma özelliğine sahiptir. Tetiği açık konumunda kilitlemek için tetiğe (1) basın, ardından kesintisiz çalıştırma düğmesine (2) basın ve tutun ve tetiği bırakın. Kesintisiz çalıştırma düğmesini bırakın ve dekupaj testereniz çalışmaya devam eder. Kilitlemeyi kapatmak için açma/kapama tetiğine basın ve bırakın.

**Not:** Kesintisiz çalıştırma düğmesine ana kolun sol tarafından erişilebilir.

## Değişken hız kontrolü (Şekil E) (sadece JS20)

Değişken hız kontrol kadranını (12) uygun hıza çevirerek dekupaj testerenin hızını ayarlayın. Değişken hız kontrol kadranını dekupaj testerenin arka tarafına doğru döndürmek yavaş hızlara neden olacaktır. Hız kontrol kadranını en yavaş hız için "1", orta hız için "3" ve en yüksek hız için "6" değerine getirin.

## Toz atma çıkışının açma/kapama sürgüsü (Şekil F)

Elektrik süpürgesi bağlı olmadan normal kullanımda, toz atma çıkışının açma/kapama sürgüsü (13) aletin arkasına doğru kaydırılmalıdır. Bu, dahili motor fanının talaşı kesme hatından sürekli üfleme sağlar. Elektrik süpürgesi bağlı olduğunda, toz atma çıkışının açma/kapama sürgüsü (1) aletin önüne doğru kaydırılmalıdır. Bu iç plakayı testere tozunun elektrik süpürgesi tarafından emilmesi için toz atma çıkışına doğru yönlendirir. Bu iç plakayı testere tozunun elektrik süpürgesi tarafından emilmesi için toz atma çıkışına doğru yönlendirir.

## KULLANIM

**Uyarı!** Aleti, taban gevşek veya çikartılmışken kesinlikle kullanmayın.

## Genel kesme

**Uyarı!** El ve parmakları motor gövdesi ile bıçak kelepçesi arasındaki boşluktan uzak tutun. Alet çalışırken iş parçasına alttan ulaşmayı denemeyin.

Testere tabanının önünü iş parçası üzerine dayanın ve bıçağın kesici kenarını iş parçası üzerindeki kesme hattı ile hizalayın (Şekil G). Güç kablosunun, bıçağın izleyeceği yolda değil, yolunuzdan çıktığından emin olun. Testereyi çalıştırın ve iş parçasına doğru hareket ettirin. Bıçağı serbestçe kesmek için testereyi sabit tutmak için yeterince aşağıya doğru basınç uygulayın ve yalnızca ileri doğru basıncı uygulayın.

**Uyarı!** Testereyi zorlamayın. Testere zorlamak motorun aşırı ısınmasına ve testere bıçaklarının kırılmasına neden olabilir.

## Açılı kesim

Eğimli açısı sıfırdan 45° 'ye kadar sola veya sağa ayarlanabilir. Eğimli açılara ayarlanması:

- İki testere tabanı vidasını (14) taban (15) döndürülebileceği kadar gevşetin (Şekil H).  
**Not:** Aletle birlikte verilen 3mm altıgen anahtarı kullanın.
- Eğim açıları (17), testere tabanının yan tarafında bulunan bir ölçekte işaretlenmiştir (Şekil I).
- Testere tabanını arkaya doğru kaydırın. Motor gövdesinin (18) kenarını tabanın yanındaki istenen açı işaretiyle (17) hizalayın, ardından çentiklerin (16) motor gövdesi pimine oturtmak için tabanı öne doğru kaydırın.

**Not:** Dekupaj testere tabanının kenarlarındaki açı işaretleri yalnızca referans amaçlıdır. Açı hassasiyetini doğrulamak için bir açıölçer kullanın.

- İstlenen eğim açısını ayarladıktan sonra testere tabanını, taban vidalarını sıkarak kilitleyin.
- Atık bir parça üzerinde test kesimi yapın ve eğim açısını ölçün. Gerekirse zıvana açısını ayarlayın.



## EN UYGUN KULLANIM İÇİN YARARLI TAVSİYELER

### Laminatların kesilmesi

Lamine yüzeyleri keserken, malzemenin görünen yüzünden hasara yol açabilecek parçalanmalar meydana gelebilir. Testere bıçaklarının çoğu yukarı doğru dönerek kestiği için, testere tabanının malzemenin görünen yüzeyine yerleştirilerek kesim yapıldığı hallerde ya aşağı yönde kesen bir testere bıçağı kullanın ya da:

- Hassas kesim bıçağı kullanın.
- Üzerinde çalıştığınız parçanın arka yüzünden kesin.
- Kıymıksız, temiz kesimler elde etmek için kesilen malzemenin her iki yüzeyine de bir parça kontrplak veya sert tahta parçaları yerleştirin ve kesim işlemini bu şekilde yapın.

### Metal kesme

**Uyarı!** Metal keserken elektrikli süpürgeyi kullanmayın. Metal talaşlar sıcak olacak ve yangına neden olabilir. Metal kesiminin ahşap kesiminden çok daha fazla zaman aldığını unutmayın.

- Metal kesmeye uygun bir testere bıçağı kullanın.
- Sacı keserken üzerinde çalıştığınız parçanın her iki yüzüne bir parça takoz sıkıştırın ve oluşan bloğun içinden kesin.
- Öngördüğünüz kesim hattı boyunca bir kat yağ sürün.

### Dalma kesim

**Uyarı!** Kontrol kaybına, kırılmış bıçakların veya iş parçasının hasar görmesini önlemek için, dalma kesimleri yaparken her zaman çok dikkatli olun. Ahşaptan başka herhangi bir malzemede dalma kesimi yapmayı önerilmez. Mümkün olduğunca, kesilecek alanda 8 mm veya daha büyük bir kılavuz deliği açın ve bıçakla bu delikten kesmeye başlayın. Bu dalma kesimde ihtiyacınızı önler.

**Not:** Dalma kesimleri için sadece inç başına 7 dişli bıçağı kullanın.

1. Bir iç deliği kaldırmak için, kesim hattını iş parçasında açıkça işaretleyin.

2. Eğim açısını 0° 'de ayarlayın ve tabanı kilitleyin.
3. Testereyi, tabanın ön kenarında duracak ve tetiğe basıldığında bıçak iş parçasına dokunmayacak şekilde öne eğin (Şekil J).  
**Not:** Testere bıçağının kesilecek alanın içerisinde olduğundan emin olun.
4. Testereyi çalıştırın ve tabanın önünün iş parçası üzerinde kalmasını sağlayarak bıçağı yavaşça iş parçasına indirin. Bıçağın ahşap içine girmesine izin verin.
5. Tabanı malzeme üzerinde düzleştirme kadar bıçağı yavaşça malzemenin içine doğru daldırmayı devam edin. Kesme hattına doğru kesmeyi devam edin ve gereken kesmeyi tamamlayın.

### Metal kesme

Dekupaj testereniz birçok metal türü kesebilir. Her türlü malzemeyi keserken bıçakları döndürmemeye veya bükmemeye dikkat edin. Bıçağı zorlamayın. Bıçak sallanın veya fazla titreşirse, daha ince dişli bir bıçağı kullanın. Bıçak aşırı ısınıyorsa, kesme hızını azaltın. Alüminyum gibi yumuşak metalleri keserken bıçak dişleri tıkanır, inç başına diş sayısı az olan iri bir bıçağı kullanın. Tüm iş parçaları sıkıca sabitleyin ve kesilen malzemenin herhangi bir titreşimini ortadan kaldırmak için sıkıştırma noktasından mümkün olduğunca yakın kesin.

Kanal, boru veya açılı demir keserken, iş parçasını mümkünse mengeneyle sabitleyin ve mengeneyle yakın kesin. İnce tabakalı malzemeleri kesmek için, malzemeyi sunta veya kontrplak arasında "sandviç" yapın ve malzeme titreşimini ve yırtılmayı ortadan kaldırmak için tabakaları sıkıştırın. Bunu yaparak malzeme sorunsuz kesilecek. Deseninizi veya kesim hatlarınızı "sandviç" in üzerine yerleştirin.

### BAKIM

#### Genel

**Uyarı!** Fren sıvıları, benzin, petrol bazlı ürünler, delici yağlar gibi çözücülerin plastik parçalar ile hiçbir zaman temas etmesine izin vermeyin. Bunlar plastiğe zarar verebilir, zayıflatılabilir, ya da yok edebilir kimyasalları içerir. Kir, toz, yağ, gres vb. çıkarmak için temiz kuru bir bez kullanın.

**Uyarı!** Dekupaj testereden dışarı tozları üfleme için bir hava tutarken koruyucu gözlük takın. Bu testereyi fiberglas, duvar tahtası veya sıva kesiminde kullanmak, bu malzemelerin aşındırıcı doğası nedeniyle hızlanan aşınmayla sonuçlanacaktır. Bu malzemeleri keserken dekupaj testeresinin sık sık temizlenmesi önemlidir. Elektrikli aletleri uygun olmayan amaçlarla KULLANMAYIN. Kötü niyetli uygulamalar alete ve iş parçasına zarar verebilir.

**Uyarı!** Bu dekupaj testereyi değiştirmeye ÇALIŞMAYIN veya bu dekupaj testere için tavsiye edilmeyen aksesuarları kullanmayın. Böyle bir değişiklik ya da modifikasyon hatalıdır ve olası ciddi yaralanmalara yol açan tehlikeli bir duruma neden olabilir. Ayrıca garanti geçerli olmayacaktır.

BLACK+DECKER aletiniz minimum bakımla uzun bir süre çalışacak şekilde tasarlanmıştır. Kesintisiz olarak memnuniyet verici bir şekilde çalışması gerekli özenin gösterilmesine ve düzenli temizliğe bağlıdır.

- Aletinizdeki havalandırma deliklerini yumuşak bir fırça veya kuru bir bezle düzenli olarak temizleyin.
- Motor muhafazasını düzenli olarak nemli bir bezle silin. Aşındırıcı veya çözücü bazlı temizleyiciler kullanmayın. Aletin içine sıvı kaçmasına kesinlikle izin vermeyin ve aletin hiçbir parçasını kesinlikle sıvıya batırmayın.

**Önemli!** Alet **EMNİYET GÜVENLİĞİ** ve **GÜVENİLİRLİK** için bu kılavuzda belirtilenler dışında tamir, bakım ve ayarlamaların her zaman orijinal yedek parça kullanılarak, yetkili servisler tarafından yapılması gerekmektedir.

## YAĞLAMA

Bütün rulmanlar, fabrikada aletin normal şartlarda kullanım ömrü boyunca yetecek miktarda yüksek kaliteli yağla yağlanmıştır. Bu yüzden hiçbir ek yağlamaya gerek yoktur.

## Çevrenin korunması



Ayrı olarak atın. Bu ürün, normal evsel atıklarla birlikte atılmamalıdır.

BLACK+DECKER ürününüzü değiştirilmesi gerektiğini düşünmeniz veya artık kullanılamaz durumda olması halinde onu,

evsel atıklarla birlikte atmayın. Bu ürünü, ayrı olarak toplanacak şekilde atın.



Kullanılmış ürünlerin ve ambalajların ayrı olarak toplanması bu maddelerin geri dönüşüme sokularak yeniden kullanılmasına olanak tanır. Geri dönüşümlü maddelerin tekrar kullanılması çevre kirliliğinin önlenmesine yardımcı olur ve ham madde ihtiyacını azaltır.

Yerel yönetmelikler, elektrikli ürünlerin evlerden toplanıp belediye atık tesislerine aktarılması veya yeni bir ürün satın alırken perakende satıcı tarafından toplanması yönünde hükümler içerebilir.

BLACK+DECKER, hizmet ömrünün sonuna ulaşan BLACK+DECKER ürünlerinin toplanması ve geri dönüşüme sokulması için bir imkan sunmaktadır. Bu hizmetin avantajlarından faydalanmak için, lütfen, ürününüzü bizim adımıza teslim alacak herhangi bir yetkili servise iade edin.

Bu kılavuzda belirtilen listeden size en yakın BLACK+DECKER yetkili tamir servisinin yerini öğrenebilirsiniz. Ya da, alternatif olarak internet'ten BLACK+DECKER yetkili tamir servislerinin listesini ve satış sonrası hizmetlerimizle ilgili tüm bilgiler ve temas bilgilerine aşağıdaki siteden ulaşabilirsiniz. [www.2helpU.com](http://www.2helpU.com)

## SERVİS BİLGİLERİ

BLACK+DECKER, yaygın bir yetkili servis ağı sunmaktadır. Tüm BLACK+DECKER Servis Merkezleri müşterilere etkili ve güvenilir elektrikli el aleti hizmeti sunmak için eğitimli personel ile donatılmıştır. Yetkili servis merkezlerimiz hakkında daha fazla bilgi almak istiyorsanız veya teknik danışmanlık, onarım ya da orijinal fabrika yedek parçası ihtiyacınız varsa, size en yakın BLACK+DECKER satış noktasına başvurun veya [www.blackanddecker.com.tr](http://www.blackanddecker.com.tr) adresini ziyaret edin.

## NOT

- BLACK+DECKER politikası gibi, ürünlerimizi sürekli iyileştirme amacıyla önceden haber vermeden ürün özelliklerini değiştirme hakkını saklı tutarız.
- Standart ekipman ve aksesuarlar ülkeye göre değişebilir.

- Ürün özellikleri ülkelere göre farklı olabilir.
- Komple ürün çeşidi tüm ülkelerde geçerli olmayabilir. Ürün çeşidi durumu hakkında lütfen en yakın BLACK+DECKER yetkili servisiyle temas kurun.

**AT Uygunluk Beyanatı**

MAKİNE DİREKTİFİ

**JS10, JS20 - Dekupaj testere****TEKNİK ÖZELLİKLERİ**

	JS10	JS20
Güç	400W	400W
Bıçak hızı	3000 dev/dak	1000-3000 dev/dak
Derinlik hareketi	18 mm	18 mm
90° açısı ile kesme derinliği	65 mm ahşapta	65 mm ahşapta
	6mm çelikte	6mm çelikte
Testere tabanı eğimi	0-45°	0-45°

**EN 60745'e göre ses basıncı düzeyi:**

Ses basıncı ( $L_{pA}$ ) 87,0 dB(A), belirsizlik (K) 3 dB(A)  
Akustik güç ( $L_{WA}$ ) 98,0 dB(A), belirsizlik (K) 3 dB(A)

**EN 60745'e göre tespit edilen toplam titreşim değerleri (üç yönün vektör toplamı):**

Sac metal kesme ( $a_{h,M}$ ) 9,3 m/s<sup>2</sup>  
belirsizlik (K) 1,5 m/s<sup>2</sup>  
Ahşap panelleri kesmesi ( $a_{h,B}$ ) 11,5 m/s<sup>2</sup>,  
belirsizlik (K) 1,5 m/s<sup>2</sup>

BLACK+DECKER, "Teknik veriler" altında tanımlanan bu ürünlerin aşağıdakilere uygun olduğunu beyan eder: 2006/42/EC, EN 60745-1:2009 + A11:2010, EN 60745-2-11:2010

Bu ürünler ayrıca 2004/108/EC (19/04/2016 tarihine kadar), 2014/30/EU (20/04/2016 tarihinden itibaren) ve 2011/65/EU Direktifi ile uyumludur.

Daha fazla bilgi için, lütfen aşağıdaki adresten BLACK+DECKER ile iletişime geçin veya kılavuzun arkasına bakın.

Aşağıda imzası bulunan şahıs, teknik dosyanın derlenmesinden sorumludur ve BLACK+DECKER adına bu beyanatı vermektedir.

**R.Laverick**

Mühendislik Müdürü  
BLACK+DECKER Europe, 210 Bath Road,  
Slough,  
Berkshire, SL1 3YD  
Birleşik Krallık  
03,2017

## Garanti

BLACK+DECKER, ürünün kalitesinden emindir ve bu yüzden kanunlarda belirtilen taleplerin üstünde bir garanti verir. Ayrıca bu garanti hiçbir şekilde garanti ile ilgili kanuni haklarınızı ihlal etmez ve haklarınızı hiç bir şekilde kısıtlayamaz.

Eğer bir BLACK+DECKER ürünü, satın alma tarihinden itibaren 24 ay içinde hatalı malzeme, işçilik ya da uygunsuzluk nedeniyle bozulursa, müşteriye mümkün olabilecek en az sorunu yaşatarak BLACK+DECKER hatalı kısımları değiştirmeyi, adil bir şekilde aşınmış ve yıpranmış ürünleri tamir etmeyi veya değiştirmeyi garanti eder. Ancak bu belirtilenler şu durumlar dışında geçerlidir:

- Ürün ticari veya profesyonel amaçlarla kullanılmışsa veya kiraya verilmişse;
- Ürün yanlış veya amaç dışı kullanılmışsa;
- Ürün yabancı nesnelere, maddelere veya kaza sırasında zarar görmüşse;
- Yetkili tamir servisleri veya BLACK+DECKER servis ekibinden başkası tarafından tamir edilmeye çalışılmışsa.

Garanti talebinde bulunmak için, satıcıya veya yetkili tamir servisine satın aldığınıza dair ispat sunmalısınız. Fatura ve garanti kartı gerekmektedir. Bu kılavuzda belirtilen listeden size en yakın BLACK+DECKER yetkili tamir servisinin yerini öğrenebilirsiniz. Ya da, alternatif olarak internet'ten BLACK+DECKER yetkili tamir servislerinin listesini ve satış sonrası hizmetlerimizle ilgili tüm bilgiler ve temas bilgilerine aşağıdaki siteden ulaşabilirsiniz. [www.2helpU.com](http://www.2helpU.com)

Sanayi ve Ticaret Bakanlığı tebliğince kullanım ömrü 7 yıldır.

STANLEY BLACK&DECKER TURKEY  
ALET ÜRETİM SAN. TİC. LTD.ŞTİ.  
Kozyatağı Mh Değirmen Sk.  
Nida Kule No:18 Kat:6  
34742 Kadıköy  
İstanbul, TÜRKİYE  
Tel: +90 216 665 2900  
Fax: +90 216 665 2901

## Назначение

Ваш лобзик BLACK+DECKER™ JS10 и JS20 предназначен для пиления древесины, пластика и листового металла. Данный инструмент предназначен только для использования непрофессиональными пользователями.

## ОБЩИЕ ПРАВИЛА БЕЗОПАСНОСТИ

**Внимание!** Внимательно прочтите все инструкции. Несоблюдение всех перечисленных ниже инструкций может привести к поражению электрическим током, возникновению пожара и/или получению тяжёлой травмы.

## СОХРАНИТЕ ДАННЫЕ ИНСТРУКЦИИ

### ИНСТРУКЦИИ ПО ТЕХНИКЕ БЕЗОПАСНОСТИ

Общие правила безопасности при работе с электроинструментами.



**Внимание!** Внимательно прочтите все инструкции по безопасности и руководство по эксплуатации.

Несоблюдение всех перечисленных ниже правил безопасности и инструкций может привести к поражению электрическим током, возникновению пожара и/или получению тяжёлой травмы.

**Сохраните все инструкции по безопасности и руководство по эксплуатации для их дальнейшего использования.** Термин «Электроинструмент» во всех приведённых ниже указаниях относится к вашему сетевому (с кабелем) электроинструменту или аккумуляторному (беспроводному) электроинструменту.

#### 1. Безопасность рабочего места

- a. **Содержите рабочее место в чистоте и обеспечьте хорошее освещение.** Плохое освещение рабочего места может привести к несчастному случаю.
- b. **Не используйте электроинструменты, если есть опасность возгорания или взрыва, например, вблизи легко воспламеняющихся жидкостей, газов или пыли.** В процессе работы электроинструменты создают искровые разряды, которые могут воспламенить пыль или горючие пары.
- c. **Во время работы с электроинструментом не подпускайте близко детей или посторонних лиц.** Отвлечение внимания может вызвать у Вас потерю контроля над рабочим процессом.

#### 2. Электробезопасность

- a. **Вилка кабеля электроинструмента должна**

**соответствовать штепсельной розетке. Ни в коем случае не видоизменяйте вилку электрического кабеля. Не используйте соединительные штепсели-переходники, если в силовом кабеле электроинструмента есть провод заземления.** Использование оригинальной вилки кабеля и соответствующей ей штепсельной розетки уменьшает риск поражения электрическим током.

- b. **Во время работы с электроинструментом избегайте физического контакта с заземлёнными объектами, такими как трубопроводы, радиаторы отопления, электроплиты и холодильники.** Риск поражения электрическим током увеличивается, если Ваше тело заземлено.
  - c. **Не используйте электроинструмент под дождём или во влажной среде.** Попадание воды в электроинструмент увеличивает риск поражения электрическим током.
  - d. **Бережно обращайтесь с электрическим кабелем. Ни в коем случае не используйте кабель для переноски электроинструмента или для вытягивания его вилки из штепсельной розетки. Не подвергайте электрический кабель воздействию высоких температур и смазочных веществ; держите его в стороне от острых кромок и движущихся частей электроинструмента.** Повреждённый или запутанный кабель увеличивает риск поражения электрическим током.
  - e. **При работе с электроинструментом на открытом воздухе используйте удлинительный кабель, предназначенный для наружных работ.** Использование кабеля, пригодного для работы на открытом воздухе, снижает риск поражения электрическим током.
  - f. **При необходимости работы с электроинструментом во влажной среде используйте источник питания, оборудованный устройством защитного отключения (УЗО).** Использование УЗО снижает риск поражения электрическим током.
- #### 3. Личная безопасность
- a. **При работе с электроинструментами будьте внимательны, следите за тем, что Вы делаете, и руководствуйтесь здравым смыслом. Не используйте электроинструмент, если Вы устали, а также находясь под действием алкоголя или понижающих реакцию лекарственных препаратов и других средств.** Малейшая неосторожность при работе с электроинструментами может привести к серьёзной травме.

- b. При работе используйте средства индивидуальной защиты. Всегда надевайте защитные очки.** Своевременное использование защитного снаряжения, а именно: пылезащитной маски, ботинок на нескользящей подошве, защитного шлема или противошумовых наушников, значительно снизит риск получения травмы.
- c. Не допускайте непреднамеренного запуска. Перед тем, как подключить электроинструмент к сети и/или аккумулятору, поднять или перенести его, убедитесь, что выключатель находится в положении «выключено».** Не переносите электроинструмент с нажатым курковым выключателем и не подключайте к сетевой розетке электроинструмент, выключатель которого установлен в положение «включено», это может привести к несчастному случаю.
- d. Перед включением электроинструмента снимите с него все регулировочные или гаечные ключи.** Регулировочный или гаечный ключ, оставленный закреплённым на вращающейся части электроинструмента, может стать причиной получения тяжёлой травмы.
- e. Работайте в устойчивой позе. Всегда твёрдо стойте на ногах, сохраняя равновесие.** Это позволит Вам не потерять контроль при работе электроинструментом в непредвиденной ситуации.
- f. Одевайтесь соответствующим образом. Во время работы не надевайте свободную одежду или украшения. Следите за тем, чтобы Ваши волосы, одежда или перчатки находились в постоянном отдалении от движущихся частей инструмента.** Свободная одежда, украшения или длинные волосы могут попасть в движущиеся части инструмента.
- g. Если электроинструмент снабжён устройством сбора и удаления пыли, убедитесь, что данное устройство подключено и используется надлежащим образом.** Использование устройства пылеудаления значительно снижает риск возникновения несчастного случая, связанного с запыленностью рабочего пространства.
- 4. Использование электроинструментов и технический уход**
- a. Не перегружайте электроинструмент. Используйте Ваш инструмент по назначению.** Электроинструмент работает надёжно и безопасно только при соблюдении параметров, указанных в его технических характеристиках.
- b. Не используйте электроинструмент, если его выключатель не устанавливается в положение включения или выключения.** Электроинструмент с неисправным выключателем представляет опасность и подлежит ремонту.
- c. Отключайте электроинструмент от сетевой розетки и/или извлекайте аккумулятор перед регулировкой, заменой принадлежностей или при хранении электроинструмента.** Такие меры предосторожности снижают риск случайного включения электроинструмента.
- d. Храните неиспользуемые электроинструменты в недоступном для детей месте и не позволяйте лицам, не знакомым с электроинструментом или данными инструкциями, работать с электроинструментом.** Электроинструменты представляют опасность в руках неопытных пользователей.
- e. Регулярно проверяйте исправность электроинструмента.** Проверяйте точность совмещения и легкость перемещения подвижных частей, целостность деталей и любых других элементов электроинструмента, воздействующих на его работу. Не используйте неисправный электроинструмент, пока он не будет полностью отремонтирован. Большинство несчастных случаев являются следствием недостаточного технического ухода за электроинструментом.
- f. Следите за остротой заточки и чистотой режущих принадлежностей.** Принадлежности с острыми кромками позволяют избежать заклинивания и делают работу менее утомительной.
- g. Используйте электроинструмент, аксессуары и насадки в соответствии с данным Руководством по эксплуатации и с учётом рабочих условий и характера будущей работы.** Использование электроинструмента не по назначению может создать опасную ситуацию.
- 5. Техническое обслуживание**
- a. Ремонт Вашего электроинструмента должен производиться только квалифицированными специалистами с использованием идентичных запасных частей.** Это обеспечит безопасность Вашего электроинструмента в дальнейшей эксплуатации.

## ДОПОЛНИТЕЛЬНЫЕ ПРАВИЛА БЕЗОПАСНОСТИ ПРИ РАБОТЕ ЛОБЗИКОВЫМИ И САБЕЛЬНЫМИ ПИЛАМИ

- a. Держите инструмент за изолированные ручки при выполнении операций, во время которых режущий инструмент может соприкоснуться со скрытой проводкой или собственным кабелем.** Контакт насадки с находящимся под напряжением проводом делает не покрытые изоляцией металлические части электроинструмента также «живыми», что создаёт опасность поражения оператора электрическим током.

- b. Используйте струбцины или другие приспособления для фиксации обрабатываемой детали, устанавливая их только на неподвижной поверхности.** Если держать обрабатываемую деталь руками или с упором в собственное тело, то можно потерять контроль над инструментом или обрабатываемой деталью.
- c. Держите руки вне зоны резания.** Ни в коем случае не держите руки под заготовкой. Не держите пальцы вблизи пильного полотна и его зажима. Не пытайтесь стабилизировать положение лобзика, удерживая его за поворотную подошву.
- d. Следите за остротой заточки пильных полотен.** Затупленные или повреждённые пильные полотна могут заставить пилу отклониться от линии реза или остановиться под воздействием чрезмерного усилия. Всегда используйте пильное полотно, максимально соответствующее материалу заготовки и характеру реза.
- e. Прежде чем приступить к резке трубы или канала, убедитесь, что в них нет воды, электропроводки и т.д.**
- f. Никогда не дотрагивайтесь до обрабатываемой заготовки или пильного полотна сразу по окончании работы инструмента.** Они могут оказаться очень горячими.
- g. Учитывайте возможные скрытые опасности перед началом сквозного врезания в стены, полы или потолки - проверьте их на наличие электропроводки и трубопроводов.**
- h. Полотно будет продолжать движение некоторое время после того, как вы отпустите выключатель.** Всегда выключайте электроинструмент и ждите, пока пильное полотно полностью не остановится прежде, чем положить электроинструмент.



**Внимание!** Контакт с пылью или вдыхание пыли, возникающей в ходе пиления, может представлять опасность для здоровья оператора и окружающих лиц. Надевайте респиратор, специально разработанный для защиты от пыли и паров, и следите, чтобы лица, находящиеся в рабочей зоне, также были обеспечены средствами индивидуальной защиты.

- i. Назначение инструмента описывается в данном руководстве по эксплуатации.** Использование любых принадлежностей или приспособлений, а также выполнение данным инструментом любых видов работ, не рекомендованных данным

руководством по эксплуатации, может привести к несчастному случаю и/или повреждению личного имущества.

## Электробезопасность







Данный инструмент защищён двойной изоляцией, что исключает потребность в заземляющем проводе. Всегда проверяйте, соответствует ли напряжение, указанное на табличке с техническими параметрами, напряжению электросети.



**Внимание!** Во избежание повреждений или получения травмы, замена повреждённого кабеля питания должна производиться только на заводе-изготовителе, в авторизованном сервисном центре BLACK+DECKER или квалифицированным персоналом. При замене кабеля питания квалифицированным лицом, но не имеющим авторизацию BLACK+DECKER, гарантия на продукт будет недействительной.

## Маркировка инструмента

Наклейка на вашем инструменте вместе с кодом даты может содержать следующие символы:

	Прочитайте инструкцию по эксплуатации	Гц ..... Герцы	 .....	Конструкция Класс II
	Используйте средства защиты глаз	Вт ..... Ватты	 .....	Клемма заземления
	Используйте средства защиты органов слуха	мин ..... минуты	 .....	Предупреждающий
V ..... Вольты		 .....		Переменный ток
A ..... Амперы		 .....		Постоянный ток
		г <sub>0</sub> ..... Скорость холостого хода	 .....	Количество оборотов или возвратно-поступательных движений в минуту

## Комплект поставки

- 1 Лобзик
- 1 Шестигранный ключ

## Местоположение кода даты

Код даты, который также включает в себя год изготовления, отштампован на поверхности корпуса инструмента.

Пример:

2017 XX JN  
Год изготовления



## Безопасность посторонних лиц

- Данный инструмент не может использоваться людьми (включая детей) со сниженными физическими, сенсорными и умственными способностями или при отсутствии необходимого опыта или навыка, за исключением, если они выполняют работу под присмотром или получили инструкции относительно работы с этим инструментом от лица, отвечающего за их безопасность.
- Не позволяйте детям играть с инструментом.

## Остаточные риски

При работе данным инструментом возможно возникновение дополнительных остаточных рисков, которые не вошли в описанные здесь правила техники безопасности. Эти риски могут возникнуть при неправильном или продолжительном использовании изделия и т.п.

Несмотря на соблюдение соответствующих инструкций по технике безопасности и использование предохранительных устройств, некоторые остаточные риски невозможно полностью исключить. К ним относятся:

- Травмы в результате касания вращающихся/двигающихся частей инструмента.
- Риск получения травмы во время смены деталей или насадок.
- Риск получения травмы, связанный с продолжительным использованием инструмента. При использовании инструмента в течение продолжительного периода времени делайте регулярные перерывы в работе.
- Ухудшение слуха.
- Ущерб здоровью в результате вдыхания пыли в процессе работы с инструментом (например, при обработке древесины, в особенности, дуба, бука и ДВП).

## ОПИСАНИЕ (Рис. А)

1. Курковый пусковой выключатель
2. Кнопка блокировки пускового выключателя
3. Вентиляционные прорези двигателя
4. Шестигранный ключ 3 мм
5. Держатель шестигранного ключа

6. Отверстие пылеотвода
7. Наклонная подошва
8. Направляющий ролик пыльного полотна
9. Винты пыльного полотна
10. Защитный щиток

## СБОРКА И ЭКСПЛУАТАЦИЯ



**Внимание!** Перед выполнением любой из последующих операций убедитесь, что инструмент выключен и отсоединён от электросети, а пыльное полотно остановлено. В процессе работы пыльное полотно нагревается.



**Внимание!** При замене пыльных полотен, наклоне подошвы, чистке и если инструмент не используется, всегда отключайте лобзик от источника питания. Отключение лобзика предотвратит случайный запуск, который может стать причиной получения тяжёлой травмы.

## Пыльные полотна

С Вашим лобзиком могут использоваться пыльные полотна с различными конфигурациями зубьев.

## Установка пыльных полотен (не входят в комплект поставки)

1. Отключите лобзик от источника питания.

**Внимание!** Не отключение лобзика от источника питания может привести к случайному запуску, что станет причиной получения тяжёлой травмы.

2. Вставьте шлицевую отвёртку в отверстие доступа в защитном щитке (10).

**Примечание:** Для ослабления винтов используйте шлицевую отвёртку (не входит в комплект поставки).

3. Ослабьте оба винта (9) и вставьте пыльное полотно (11) в отверстие зажима до упора.

### Примечания:

- a) Убедитесь, что пыльное полотно вошло в паз на направляющем ролике (8).
- b) Отверстия в универсальных пыльных полотнах не предназначены для выравнивания с отверстиями для винтов на зажиме пыльного полотна.
4. Затяните оба винта пыльного полотна (9) вплотную к полотну.



Извлечение пыльного полотна:

1. Отключите лобзик от источника питания.
2. При помощи шлицевой отвёртки ослабьте винты пыльного полотна (9).
3. Извлеките пыльное полотно.

### Курковый пусковой выключатель (Рис. С)

Чтобы включить лобзик, нажмите на курковый пусковой выключатель (1). Чтобы выключить лобзик, отпустите курковый выключатель.

### Кнопка блокировки пускового выключателя (Рис. D)

Ваш лобзик оборудован функцией блокировки пускового выключателя, которая очень удобна при работе в непрерывном режиме в течение длительного времени. Чтобы заблокировать курковый выключатель в положении «ВКЛ.», нажмите на курковый пусковой выключатель (1), затем нажмите и удерживайте кнопку блокировки пускового выключателя (2) и отпустите курковый пусковой выключатель. Отпустите кнопку блокировки пускового выключателя; Ваш лобзик будет продолжать работать. Чтобы разблокировать инструмент, нажмите и отпустите курковый выключатель.

**Примечание:** Кнопка защиты от непреднамеренного пуска расположена на левой стороне рукоятки.

### Регулировка скорости (Рис. E) (только JS20)

Поворачивая дисковой переключатель скорости (12), установите нужную скорость Вашего лобзика. Для установки более низких скоростей поворачивайте дисковой переключатель скорости в сторону задней части инструмента. Для установки самой низкой скорости установите переключатель на цифру «1», для установки средней скорости – на цифру «3», для установки самой высокой скорости – на цифру «6».

### Передвижной выключатель отверстия пылеотвода (Рис. F)

Во время нормального использования лобзика без подключения пылесоса передвижной выключатель отверстия пылеотвода (13) должен быть передвинут в сторону задней части инструмента. Это позволит встроенному вентилятору двигателя сдувать опилки с линии реза. При подключении пылесоса передвижной выключатель отверстия пылеотвода (13) должен быть передвинут в сторону передней части инструмента. Это расположит внутреннюю заслонку таким образом,

чтобы опилки отводились через отверстие пылеотвода непосредственно в пылесос.

## ЭКСПЛУАТАЦИЯ

**Внимание!** Никогда не используйте инструмент, если подошва плохо закреплена или отсутствует.

### Пиление

**Внимание!** Держите руки и пальцы в стороне от затора между корпусом двигателя и зажимом пыльного полотна. Не кладите руки под заготовку при работающем инструменте.

Расположите переднюю часть наклонной подошвы на заготовке и выровняйте режущий край пыльного полотна по линии реза на заготовке (Рис. G). Убедитесь, что электрический кабель находится позади инструмента и не окажется на пути пыльного полотна во время пиления. Включите лобзик и ведите его к заготовке. Чтобы лобзик шёл ровно, а пыльное полотно резало без затруднений, оказывайте только необходимое прижимное и напорное давление.

**Внимание!** Избегайте чрезмерной нагрузки инструмента. Чрезмерная нагрузка на инструмент приведёт к перегреву двигателя и поломке пыльного полотна.

### Пиление с наклоном

Угол наклона может быть отрегулирован с нуля до 45° влево или вправо. Установка угла наклона:

1. Ослабьте оба винта наклонной подошвы (14), пока подошва (15) не сможет свободно поворачиваться (Рис. H).

**Примечание:** Используйте шестигранный ключ 3 мм, входящий в комплект поставки.

2. Углы наклона (17) отмечены на шкале, расположенной на боковой стороне наклонной подошвы (Рис. I).
3. Сдвиньте подошву назад. Совместите край корпуса двигателя (18) с нужной отметкой угла наклона (17) на боковой стороне подошвы, затем передвиньте подошву вперёд, фиксируя вырезы (16) в замке корпуса двигателя.  
**Примечание:** Отметки угла наклона на боковых сторонах основания лобзика даны только в ознакомительных целях. Для точной установки угла наклона оператор должен использовать угломер.
4. Установив нужный угол наклона, зафиксируйте наклонную подошву, затянув винты.

5. Сделайте пробный рез на небольшом отрезке заготовки и измерьте угол наклона. При необходимости отрегулируйте угол наклона.

## РЕКОМЕНДАЦИИ ПО ОПТИМАЛЬНОМУ ИСПОЛЬЗОВАНИЮ

### Пиление ламината

При распиле ламината может произойти его расщепление, что испортит внешний вид лицевой поверхности. Большинство стандартных пильных полотен выполняют рез при ходе вверх, поэтому, если подошва располагается на лицевой поверхности, используйте пильное полотно, которое режет при ходе вниз, или:

- Используйте пильное полотно с мелкими зубьями.
- Пилите по обратной стороне заготовки.
- Чтобы избежать расщепления ламината, поместите заготовку между двумя панелями из древесины или ДСП и пилите получившуюся сэндвич-панель.

### Пиление металла

**Внимание!** При пилении металла не используйте пылесос в качестве пылеудаляющего устройства. Металлическая стружка может быть очень горячей и спровоцировать возгорание. Помните, что распил металла занимает гораздо больше времени, чем распил древесины.

- Используйте пильное полотно, предназначенное для распила металла.
- Для пиления тонколистового металла, прикрепите деревянную панель к обратной стороне заготовки и выполняйте распил получившейся сэндвич-панели.
- Нанесите немного смазочного вещества вдоль предполагаемой линии распила.

### Врезное пиление

**Внимание!** Во избежание потери контроля, поломки пильного полотна или повреждения заготовки всегда будьте предельно внимательны при выполнении врезного пиления. Не рекомендуется врезное пиление каких-либо материалов, кроме древесины. Каждый раз, когда возможно, высверливайте на выпиливаемом участке направляющее отверстие диаметром 8 мм или более и начинайте пиление, поместив полотно в это отверстие. Это поможет избежать необходимости во врезном пилении.

**Примечание:** При врезном пилении используйте только пильные полотна с 7 зубьями на дюйм.

1. Чтобы вырезать внутреннее отверстие, нанесите на заготовку отчетливую разметку.

2. Установите наклон  $0^\circ$  и зафиксируйте наклонную подошву.
3. Наклоните лобзик вперед, чтобы он стоял на переднем крае подошвы, а пильное полотно НЕ КОСНУЛОСЬ заготовки при запуске инструмента (Рис. J).
- Примечание:** Убедитесь, что пильное полотно находится внутри выпиливаемого участка.
4. Запустите двигатель и медленно опустите пильное полотно на заготовку, следя за тем, чтобы передняя часть подошвы оставалась на заготовке. Дайте пильному полотну врезаться в древесину.
5. Продолжайте погружать пильное полотно в заготовку, пока подошва полностью не ляжет на заготовку. Продолжайте пилить вдоль разметочной линии и закончите рез.

### Резка металла

Ваш лобзик подходит для резки многих видов металла. При резке любого металла следите, чтобы пильное полотно не перекручивалось и не гнулось. Не оказывайте чрезмерного давления на пильное полотно. Если пильное полотно стучит или чрезмерно вибрирует, используйте пильное полотно с более мелкими зубьями. При чрезмерном нагреве пильного полотна снизьте скорость резания. Если при резке мягких металлов, например, алюминия, забиваются зубья пильного полотна, используйте пильные полотна с меньшим количеством зубьев на дюйм. Для предотвращения вибрирования заготовки во время резания всегда надёжно закрепляйте заготовку и режьте в максимальной близости от места зажима.

При резке труб и круглых или угловых профилей по возможности закрепляйте материал в тисках и режьте максимально близко к тискам. Чтобы избежать чрезмерной вибрации или повреждения материала, при резке листового металла помещайте материал между двумя панелями из древесины или фанеры и скрепляйте «сэндвич» зажимами. Это обеспечит более чистый рез. На верхнюю поверхность «сэндвича» нанесите рисунок или разметочные линии.

### ТЕХНИЧЕСКОЕ ОБСЛУЖИВАНИЕ

#### Общие требования

**Внимание!** Ни в коем случае не допускайте контакта растворителей, таких как тормозные жидкости, бензин, выработанных из нефти веществ, пропитывающего масла и т. д. с пластиковыми частями инструмента. Данные вещества содержат химические элементы, способные повредить, размягчить или разрушить пластик. Для удаления грязи, пыли, масла, консистентной смазки и пр. используйте чистую сухую ткань.

**Внимание!** При удалении опилок с лобзика воздушной струёй всегда надевайте защитные очки.

Использование этого лобзика для резки стекловолокна, стеновых панелей или штукатурки приведёт к его ускоренному износу из-за абразивной природы этих материалов. При резке данных материалов очень важно часто очищать инструмент. **ИЗБЕГАЙТЕ** перегрузки электроинструментов. Перегрузка может повредить как инструмент, так и заготовку.

**Внимание!** НЕ ПЫТАЙТЕСЬ видоизменять лобзик или использовать насадки, не рекомендуемые для использования с данным лобзиком. Любое подобное несанкционированное использование или модификация является нарушением в использовании инструмента и может создать опасную ситуацию с возможным риском получения травмы. Это также делает гарантию на продукт недействительной.

Ваш инструмент BLACK+DECKER рассчитан на работу в течение продолжительного времени при минимальном техническом обслуживании. Срок службы и надёжность инструмента увеличивается при правильном уходе и регулярной чистке.

- Регулярно очищайте вентиляционные отверстия Вашего инструмента мягкой щёткой или сухой тканью.
- Регулярно очищайте корпус двигателя влажной тканью. Не используйте абразивные чистящие средства, а также чистящие средства на основе растворителей. Не допускайте попадания какой-либо жидкости внутрь инструмента и ни в коем случае не погружайте какую-либо часть инструмента в жидкость.

**Важно!** В целях обеспечения БЕЗОПАСНОСТИ и ДОЛГОВЕЧНОСТИ в использовании продукта ремонт, техническое обслуживание и регулировка (кроме перечисленных в данном руководстве по эксплуатации) должны производиться только в авторизованных сервисных центрах или других квалифицированных мастерских и только с использованием идентичных запасных частей.

## СМАЗКА

Все подшипники данного лобзика смазаны достаточным количеством высокосортной смазки на полный срок службы инструмента при использовании в нормальных условиях. Это исключает потребность в дополнительной смазке.

## Защита окружающей среды



Раздельный сбор отходов. Запрещается утилизировать этот продукт вместе с обычными бытовыми отходами.

Если вы решите, что ваше изделие BLACK+DECKER необходимо заменить, или если вы не будете его больше использовать, не утилизируйте его вместе с бытовыми отходами. Этот продукт подлежит отдельному сбору отходов.



Раздельный сбор использованных продуктов и упаковочных материалов позволяет производить их вторичную переработку с дальнейшим повторным использованием. Повторное использование материалов, прошедших вторичную переработку, снижает загрязнение окружающей среды и уменьшает потребность в сырьевых материалах.

Нормативные акты местных органов власти могут предусматривать сбор использованных электрических изделий отдельно от бытовых отходов, в муниципальных пунктах сбора отходов или в магазине при покупке нового изделия.

BLACK+DECKER предоставляет возможность для сбора и повторной переработки продуктов BLACK+DECKER после окончания срока их службы. Чтобы воспользоваться преимуществом этого сервиса, пожалуйста, отправьте ваш продукт любому уполномоченному представителю по ремонту, который собирает такие изделия от нашего имени.

## ИНФОРМАЦИЯ ПО ТЕХНИЧЕСКОМУ ОБСЛУЖИВАНИЮ

BLACK+DECKER имеет обширную сеть принадлежащих компании и авторизованных сервисных центров. В целях предоставления клиентам эффективного и надёжного технического обслуживания электроинструментов во всех сервисных центрах BLACK+DECKER работает обученный персонал. За дополнительной информацией о наших авторизованных сервисных центрах, а также, если Вы нуждаетесь в технической консультации, ремонте или покупке оригинальных запасных частей, обратитесь в ближайший к Вам сервисный центр BLACK+DECKER или посетите наш сайт [www.blackanddecker.com](http://www.blackanddecker.com)

**ПРИМЕЧАНИЕ**

- Политика BLACK+DECKER нацелена на постоянное усовершенствование нашей продукции, поэтому фирма оставляет за собой право изменять технические характеристики изделий без предварительного уведомления.
- Стандартное оборудование и дополнительные принадлежности могут меняться в зависимости от страны продаж.
- Технические характеристики продуктов могут различаться в зависимости от страны продаж.
- Полная линия продуктов присутствует на рынках не всех стран. Для получения информации касательно линии продуктов в Вашей стране обратитесь в ближайший сервисный центр BLACK+DECKER.

**ТЕХНИЧЕСКИЕ ХАРАКТЕРИСТИКИ**

	<b>JS10</b>	<b>JS20</b>
Мощность	400 Вт	400 Вт
Скорость пильного полотна	3000 ход/мин	1000-3000 ход/мин
Величина хода	18 мм	18 мм
Глубина реза при 90°	65 мм в древесине	65 мм в древесине
	6 мм в стали	6 мм в стали
Наклон подошвы	0-45°	0-45°



## Гарантийные условия

### Уважаемый покупатель!

1. Поздравляем Вас с покупкой высококачественного изделия Black+Decker и выражаем признательность за Ваш выбор.
2. При покупке изделия требуйте проверки его комплектности и исправности в Вашем присутствии, инструкцию по эксплуатации и заполненный гарантийный талон на русском языке.

В гарантийном талоне должны быть внесены: модель, дата продажи, серийный номер, дата производства инструмента; название, печать и подпись торговой организации. При отсутствии у Вас правильно заполненного гарантийного талона мы будем вынуждены отклонить Ваши претензии по качеству данного изделия.

3. Во избежание недоразумений убедительно просим Вас перед началом работы с изделием внимательно ознакомиться с инструкцией по его эксплуатации.

Правовой основой настоящих гарантийных условий является действующее Законодательство.

Гарантийный срок на данное изделие составляет 24 месяца и исчисляется со дня продажи. В случае устранения недостатков изделия, гарантийный срок продлевается на период его нахождения в ремонте.

Срок службы изделия - 5 лет со дня продажи.

4. В случае возникновения каких-либо проблем в процессе эксплуатации изделия рекомендуем Вам обращаться только в уполномоченные сервисные центры BLACK+DECKER, адреса и телефоны которых Вы сможете найти в гарантийном талоне, на сайте [www.2helpU.com](http://www.2helpU.com) или узнать в магазине. Наши сервисные станции - это не только квалифицированный ремонт, но и широкий ассортимент запчастей и принадлежностей.
5. Производитель рекомендует проводить периодическую проверку и техническое обслуживание изделия в уполномоченных сервисных центрах.

6. Наши гарантийные обязательства распространяются только на неисправности, выявленные в течение гарантийного срока и вызванные дефектами производства и \ или материалов.
7. Гарантийные обязательства не распространяются на неисправности изделия, возникшие в результате:
  - 7.1. Несоблюдения пользователем предписаний инструкции по эксплуатации изделия, применения изделия не по назначению, неправильному хранению, использованию принадлежностей, расходных материалов и запчастей, не предусмотренных производителем.
  - 7.2. Механического повреждения (сколы, трещины и разрушения) внутренних и внешних деталей изделия, основных и вспомогательных рукояток, сетевого электрического кабеля, вызванного внешним ударным или любым иным воздействием.
  - 7.3. Попадания в вентиляционные отверстия и проникновение внутрь изделия посторонних предметов, материалов или веществ, не являющихся отходами, сопровождающими применение изделия по назначению, такими как: стружка, опилки, песок, и пр.
  - 7.4. Воздействие на изделие неблагоприятных атмосферных и иных внешних факторов, таких как дождь, снег, повышенная влажность, нагрев, агрессивные среды, несоответствие параметров питающей электросети, указанным на инструменте.
  - 7.5. Стихийного бедствия. Повреждение или утрата изделия, связанное с непредвиденными бедствиями, стихийными явлениями, в том числе вследствие действия непреодолимой силы (пожар, молния, потоп и другие природные явления), а так же вследствие перепадов напряжения в электросети и другими причинами, которые находятся вне контроля производителя.
8. Гарантийные условия не распространяются:
  - 8.1. На инструменты, подвергавшиеся вскрытию, ремонту или модификации вне уполномоченной сервисного центра.
  - 8.2. На детали и узлы, имеющие следы естественного износа, такие как: приводные ремни и колеса, угольные щетки, смазка, подшипники, зубчатое зацепление редукторов, резиновые уплотнения, сальники, направляющие ролики, муфты, выключатели, бойки, толкатели, стволы и т.п.
  - 8.3. на сменные части: патроны, цанги, зажимные гайки и фланцы, фильтры, аккумуляторные батареи, ножи, шлифовальные подошвы, цепи, звездочки, пильные шины, защитные кожухи, пилки, абразивы, пыльные и абразивные диски, фрезы, сверла, буры и т.п.
  - 8.4. На неисправности, возникшие в результате перегрузки инструмента (как механической, так и электрической), повлекшей выход из строя одновременно двух и более деталей и узлов, таких как: ротора и статора, обеих обмоток статора, ведомой и ведущей шестерни редуктора и других узлов и деталей. К безусловным признакам перегрузки изделия относятся, помимо прочего: появление цветов побежалости, деформация или оплавление деталей и узлов изделия, потемнение или обугливание изоляции проводов электродвигателя под воздействием высокой температуры.

Изготовитель

Блэк энд Декер Холдингс ГмБХ  
Германия, 65510, Идштайн,  
ул. Блэк энд Декер, 40

## Призначення

Ваші ножівкові пилки JS10 і JS20 виробництва BLACK+DECKER™ призначені для пиляння дерева, пластмаси і листового металу. Цей інструмент призначений тільки для побутового використання.

## ЗАГАЛЬНІ ПРАВИЛА ТЕХНІКИ БЕЗПЕКИ

**Увага!** Уважно вивчіть всі вказівки з техніки безпеки. Недотримання вказівок щодо безпечної роботи може призвести до ураження електричним струмом, пожежі та/або серйозних травм персоналу.

## ЗБЕРЕЖІТЬ ЦІ ІНСТРУКЦІЇ

### ВКАЗІВКИ З ТЕХНІКИ БЕЗПЕКИ

**Загальні вказівки щодо безпечної роботи з електричним інструментом.**



**Увага! Уважно прочитайте всі попереджувальні написи та вказівки з техніки безпеки.** Порушення наведених нижче попереджувальних написів і вказівок може призвести до ураження електричним струмом, пожежі та/або серйозних травм.

**Збережіть усі застереження та вказівки з техніки безпеки для подальшого використання.** Термін «електричний інструмент», що використовується в усіх наведених нижче застереженнях та вказівках з техніки безпеки, стосується цього електричного інструмента з живленням від мережі (через шнур живлення) чи від акумуляторної батареї (без шнура живлення).

### 1. Безпека на робочому місці

- a. **Робоче місце повинне утримуватися в чистоті та повинне бути обладнане належним освітленням.** Безлад або погане освітлення на робочому місці може призвести до нещасного випадку.
- b. **Забороняється використання електричного інструмента у вибухонебезпечному середовищі, наприклад, в умовах наявності легкозаймистих рідин, газів або пилу.** Іскри, що виникають під час роботи електричного інструмента, можуть призвести до займання пилу чи випарів.
- c. **Дітям та стороннім особам забороняється перебувати в місцях виконання робіт із використанням електричного інструмента.** Відволікання може призвести до втрати контролю за роботою інструмента.

### 2. Електрична безпека

- a. **Вилка шнура живлення інструмента має відповідати мережевій розетці. Забороняється вносити будь-які зміни у вилку шнура живлення. Не використовуйте жодних вилок-перехідників**

**із заземленими (зануленими)**

**електроінструментами.** Відсутність змін у вилках шнурів живлення та відповідність електричних вилок і розеток знижує ризик ураження електричним струмом.

- b. **Не торкайтеся поверхонь заземлених чи занулених предметів, наприклад, труб, радіаторів, електроплит або холодильників.** Заземлення чи занулення тіла підвищує ризик ураження електричним струмом.
  - c. **Забороняється наражати електричні інструменти на вплив дощу чи підвищеної вологості.** При попаданні вологи всередину електричного інструмента підвищується ризик ураження електричним струмом.
  - d. **Запобігайте пошкодженням шнура електроживлення. У жодному разі не використовуйте шнур живлення для перенесення чи зміни положення інструмента; не тягніть за шнур, виймаючи вилку з розетки. Не прокладайте шнур живлення поруч із гарячими предметами, мастилом, гострими краями і рухомими деталями.** Пошкодження й заплутування шнурів живлення підвищує ризик ураження електричним струмом.
  - e. **Під час роботи з електричним інструментом за межами приміщень використовуйте відповідний подовжувач.** Використання подовжувача, призначеного для роботи поза приміщеннями, знижує ризик ураження електричним струмом.
  - f. **Якщо електричним інструментом необхідно користуватись у вологому місці, слід використовувати пристрій захисного відключення (ПЗВ) електричної мережі.** Використання ПЗВ знижує ризик ураження електричним струмом.
- ### 3. Індивідуальна техніка безпеки
- a. **Під час роботи з електричним інструментом необхідно бути обачним, слідкувати за виконуваною роботою та керуватися здоровим глуздом. Забороняється працювати з електричним інструментом у стані втоми чи під впливом наркотиків, алкоголю й лікарських препаратів.** Ослаблення уваги навіть на мить може призвести до серйозної травми.
  - b. **Використовуйте засоби індивідуального захисту. Завжди користуйтеся засобами захисту очей.** Використання у відповідних умовах засобів індивідуального захисту, наприклад пилозахисної маски, протиковзного захисного взуття, захисної каски або засобів захисту органів слуху, завжди знижує ризик отримання травми.

- c. Запобігайте випадковому вмиканню інструмента. Перш ніж підключити джерело живлення та/або акумулятор, коли ви піднімаєте або несете інструмент, переконайтесь, що його вимикач знаходиться у вимкненому положенні.** Якщо тримати палець на вимикачі під час перенесення інструмента чи підключення увімкненого інструмента до мережі, це підвищує ризик нещасного випадку.
- d. Перш ніж увімкнути електричний інструмент, обов'язково вийміть із нього регулювальний чи гайковий ключ.** Ключ, залишений ключ на обертальній деталі інструмента, може призвести до травмування.
- e. Не намагайтесь дотягнутися до важкодоступних місць. Завжди міцно тримайтеся на ногах і зберігайте рівновагу під час роботи.** Це дозволяє краще контролювати електричний інструмент у непередбачуваних ситуаціях.
- f. Одягайте відповідний одяг. Забороняється одягати вільний одяг і прикраси. Волосся, одяг та рукавички мають знаходитися на максимальній відстані від рухомих деталей інструмента.** Вільний одяг, прикраси або довге волосся можуть бути захоплені рухомими деталями.
- g. Якщо встановлені пристрої підключення засобів пиловловлювання та пилозбірників, необхідно перевіряти, щоб вони були підключені та використовувалися належним чином.** Використання засобів пиловловлювання знижує рівень ризику, пов'язаного з наявністю пилу в повітрі.
- 4. Використання та догляд за електричним інструментом**
- a. Не застосовуйте надмірне зусилля до електричного інструмента. Використовуйте електричний інструмент тільки за призначенням.** Правильно підібраний електроінструмент дозволить виконати роботу краще і безпечніше на швидкості, на яку він розрахований.
- b. Не використовуйте інструмент із несправним вимикачем.** Кожний електричний інструмент, роботою якого неможливо керувати за допомогою вимикача, є небезпечним, і його обов'язково потрібно відремонтувати.
- c. Перш ніж регулювати електричний інструмент, замінювати на ньому приладдя чи класти на зберігання, необхідно витягти вилку живлення з розетки та/або зняти з нього акумулятор.** Такий превентивний захід безпеки знижує ризик випадкового увімкнення інструмента.
- d. Зберігайте електричний інструмент, який в даний момент не використовується, в недоступному для дітей місці та не дозволяйте працювати з інструментом особам, які не знайомі з ним або з цими вказівками.** Електричний інструмент є небезпечним в руках ненавченої людини.
- e. Підтримуйте інструмент в робочому стані. Перевіряйте центрування та з'єднання рухомих деталей, наявність пошкоджених деталей та будь-які фактори, які можуть негативно позначитися на роботі електричного інструмента. У разі виявлення пошкодження електричний інструмент необхідно відремонтувати перед використанням.** Багато нещасних випадків трапляються через неналежне технічне обслуговування електричних інструментів.
- f. Ріжучі інструменти мають бути загостреними й чистими.** Підтримуваний у належному робочому стані ріжучий інструмент з гострими лезами менше застряє, ним легше керувати.
- g. Використовуйте електричний інструмент, приладдя, вставні різці тощо відповідно до даних вказівок, враховуючи умови експлуатації та роботу, яка повинна бути виконана.** Використання електричного інструмента всупереч призначенню може призвести до виникнення небезпечної ситуації.
- 5. Обслуговування**
- a. Обслуговувати електричний інструмент повинен тільки кваліфікований ремонтний персонал, і при цьому повинні використовуватися тільки оригінальні запасні частини.** Це забезпечить утримання електричного інструмента у безпечному стані.

## ДОДАТКОВІ ВКАЗІВКИ З БЕЗПЕЧНОЇ РОБОТИ НОЖІВКОВИХ І МАЯТНИКОВИХ ПИЛОК

- a. Під час виконання робіт, коли ріжуча деталь електричного інструменту може стикатися з прихованою електропроводкою, інструмент необхідно тримати за діелектричну поверхню.** При контакті ріжучої деталі з дротом, що знаходиться під напругою, під напругу також можуть потрапити металеві деталі електричного інструмента, внаслідок чого виникне небезпека ураження оператора електричним струмом.
- b. Для фіксації положення оброблюваної деталі на стійкій основі використовуйте затискачі або інший зручний і практичний спосіб.** Якщо тримати деталь руками або притискати її до тіла, вона може перебувати в незакріпленому положенні, що може призвести до втрати контролю за роботою інструменту.



- c. **Руки не повинні знаходитися поблизу ділянки різання.** Ніколи за жодних причин не торкайтеся робочої деталі знизу. Забороняється ставити пальці поблизу маятникового полотна і його затискача. Забороняється надавати стійкості пилці захопленням черевика.
- d. **Полотно увесь час повинно бути гострим.** Тупе чи пошкоджене полотно може призвести до того, що пилка відхилиться в сторону або зупиниться під тиском. Тип використовуваного пилкового полотна повинен відповідати матеріалу робочої деталі і типу різання.
- e. **Під час різання труб і кабелепроводів перевіряйте, щоб у них не було води, електричних проводів тощо.**
- f. **Не можна торкатися робочої деталі і полотна відразу після виконання роботи інструментом. Вони можуть бути дуже гарячими.**
- g. **Перед виконанням врізання в стіни, підлогу і стелю перевіряйте розташування електропроводки і труб.**
- h. **Після вимкнення вимикача пилкове полотно буде продовжувати рухатись.** Перш ніж покласти інструмент після вимкнення, потрібно дочекатись повної зупинки пилкового полотна.



**Увага!** Контакт або вдихання пилу, що становить внаслідок пиляння, може становити небезпеку для здоров'я робітника і людей, що знаходяться поруч. Одягайте пилозахисну маску, яка спеціально розроблена для захисту від пилу й отруйних газів і гарантує захист всіх осіб, які знаходяться на робочій ділянці або заходять на неї.

- i. **Призначення інструмента описане в цій інструкції з експлуатації.** Використання будь-якого приладдя і додаткових пристосувань разом з цим інструментом або використання інструменту в цілях, які не рекомендовані в цій інструкції, може призвести до виникнення ризику травмування персоналу та пошкодження майна.

### Електрична безпека



Цей інструмент має подвійну ізоляцію, тому дріт заземлення для нього не потрібен. Завжди перевіряйте, чи мережева напруга відповідає значенню, вказаному в таблиці з паспортними даними.



**Увага!** У разі пошкодження кабелю живлення, щоб уникнути нещасних випадків з персоналом та пошкодження обладнання, його заміну повинен виконати виробник,

авторизований сервісний центр BLACK+DECKER або інша особа, яка володіє належною кваліфікацією. Якщо заміну шнура живлення виконала кваліфікована особа, яка не є уповноваженою особою BLACK+DECKER, гарантійні зобов'язання будуть анульовані.

### Наклейки на інструменті

Наклейка на вашому інструменті може містити наступні символи.

	Read Instructions Manual	Hz ..... Hertz		Class II Construction
	Use Eye Protection	W ..... Watts		Earthing Terminal
	Use Ear Protection	min ..... minutes		Safety Alert Symbol
			.....	Revolutions or Reciprocation per minute
			.....	
V ..... Volts			.....	
A ..... Amperes		n <sub>0</sub> ..... No-Load Speed		

### Склад

- 1 ножівкова пилка
- 1 торцювий шестигранний ключ

### Положення штрих-коду з датою

Штрих-код з датою, який також включає рік виготовлення, надрукований на корпусі.  
Приклад:

2017 XX JN  
Рік виготовлення

### Безпека інших осіб

- Цей інструмент не призначений для використання особами (включаючи дітей) з обмеженими фізичними, сенсорними або розумовими здібностями або особами, у яких відсутній необхідний досвід і знання, крім випадків, коли вони знаходяться під наглядом і отримали належні вказівки по роботі з інструментом від особи, відповідальної за їхню безпеку.
- Щоб діти не гралися з інструментом, вони повинні знаходитися під наглядом.

### Залишковий ризик

Додатковий залишковий ризик може виникнути у випадках використання інструменту, які можуть бути не враховані в перерахованих вказівках щодо безпечної роботи. Який ризик може виникати при неправильному використанні, тривалому використанні та ін.



Навіть при дотриманні всіх відповідних правил техніки безпеки та використанні захисних пристроїв деякі залишкові ризики все ж залишаються. Він включає:

- Травми, отримані при торканні обертових і рухомих деталей.
- Травми, отримані при заміні деталей, ножів та приладдя.
- Травми, отримані внаслідок тривалого використання інструменту. При тривалому використанні інструменту необхідно робити регулярні перерви в роботі.
- Погіршення слуху.
- Шкода для здоров'я, викликана вдиханням пилу, яка з'являється під час роботи інструменту (наприклад, при роботі з деревом, особливо з дубом, буком або ДВП).

### Функції (Рис. А)

1. Пусковий перемикач
2. Кнопка фіксації
3. Вентиляційні отвори двигуна
4. Торцювий шестигранний ключ на 3 мм
5. Тримач торцювого шестигранного ключа
6. Отвір для пилу
7. Станина з можливістю нахилу
8. Пилковий ролик
9. Гвинти полотна
10. Щиток захисту від стружки

### МОНТАЖ І РОБОТА



**Увага!** Перш ніж приступити до виконання будь-якої з наступних операцій, переконайтесь, що інструмент вимкнений, вилка його шнура електроживлення вийнята з розетки і полотно зупинено. Працююче пильне полотно може бути гарячим.



**Увага!** Завжди від'єднуйте вашу ножівкову пилку від джерела електроживлення, коли виконуєте заміну полотна, нахиляєте станину, очищуєте інструмент або ставите його на зберігання. Таке від'єднання ножівкової пилки від джерела електроживлення попереджає її випадкове увімкнення, яке може призвести до серйозного травмування людей.

### Варіанти пильних полотен

Конструкція вашої ножівкової пилки дозволяє використовувати пильні полотна з різною формою зубців.

### Встановлення пильних полотен (в комплект постачання не входять)

1. Витягніть вилку шнура електроживлення ножівкової пилки з розетки джерела електроживлення.

**Увага!** Невиконання цієї вимоги може призвести до випадкового увімкнення ножівкової пилки, що може мати наслідком серйозне травмування людей.

2. Вставте прямий шліц викрутки в отвір для доступу в щитку захисту від стружки (10).

**Примітка.** Послабте гвинти викруткою з прямим шліцом (не входить в комплект постачання).

3. Послабте обидва гвинти затискання пильного полотна (9) і вставте полотно (11) максимального глибоко в проріз затискача полотна.

### Примітка:

- a) Перевірте, щоб полотно сіло в паз опорного ролика (8).
- b) Отвори в універсальному кріпильному пристрої для пильного полотна не обов'язково повинні бути центровані з отворами для гвинтів в затискачі полотна.
4. Затягніть обидва гвинти затискання пильного полотна (9) навпроти полотна.

Щоб зняти пильне полотно:

1. Витягніть вилку шнура електроживлення ножівкової пилки з розетки джерела електроживлення.
2. Послабте гвинти затискання пильного полотна (9) викруткою з прямим шліцом.
3. Зніміть пильне полотно.

### Тригерний вимикач Вкл/Викл (Рис. С)

Щоб увімкнути інструмент, натисніть тригерний вимикач (1). Щоб вимкнути інструмент, відпустіть вимикач.

## Кнопка фіксації (Рис. D)

Ваша ножівкова пилка обладнана пристроєм фіксації, яким зручно користуватись, коли необхідно виконувати неперервне пиляння протягом тривалого періоду часу. Щоб УВІМКНУТИ пристрій фіксації, натисніть тригерний перемикач (1), натисніть і утримуйте кнопку фіксації (2) і потім відпустіть тригерний перемикач. Відпустіть кнопку фіксації, і ваша ножівкова пилка продовжить працювати. Натисніть і відпустіть тригерний перемикач, щоб зняти фіксацію.

**Примітка.** Кнопка фіксації знаходиться з лівої сторони від ручки.

## Регулювання змінної швидкості (Рис. E) (тільки для JS20)

Здайте швидкість ножівкової пилки поворотом лімбу регулювання змінної швидкості (12). Якщо лімб регулювання змінної швидкості крутити назад, швидкість буде уповільнюватись. Установіть лімб регулювання швидкості на "1" для найменшої швидкості, на "3" для середньої швидкості і на "6" для найбільшої швидкості.

## Перемикач отвору для пиლოსоса (Рис. F)

Під час звичайної роботи інструмента без під'єданого пиლოსоса перемикач отвору для пиლოსоса (13) повинен бути зсунутий до задньої частини інструмента. Це дозволить внутрішньому вентилятору двигуна неперервно здувати тирсу чи ошурки з відмітки для різання. Якщо пиლოსос під'єднаний, перемикач отвору для пиლოსоса повинен бути зсунутий до передньої частини інструмента. Це переміщує відбивальну перегородку в положення, в якому вона спрямовує тирсу та ошурки до отвору для пиლოსоса, з якого вони будуть втягуватися робочим пиლოსосом.

## ЕКСПЛУАТАЦІЯ

**Увага!** Забороняється використовувати інструмент, якщо плита черевика не закріплена або послаблена.

### Загальні вказівки з пиляння

**Увага!** Руки повинні знаходитись якомога далі від проміжку між корпусом двигуна і затискачем пильного полотна. Не торкайтесь нижньої сторони робочої деталі, коли працює пилка.

Обіпріть передню частину станини на робочу деталь і сумістіть різальну крайку полотна з лінією різання робочої деталі (Рис. G). Перевірте, щоб шнур електроживлення не перетинав траєкторії вашого руху і руху пилки. Включіть пилку і починайте рухатись в напрямку до робочої деталі. Направлене донизу

притискне зусилля, яке ви прикладаєте до пилки, повинно бути достатнім, щоб забезпечувати стійке положення пилки, і не повинно бути надмірним, щоб пильне полотно могло вільно рухатись.

**Увага!** Не прикладайте надмірного зусилля до пилки. Прикладання надмірного зусилля може призвести до перегрівання двигуна і руйнування полотна.

## Навскісне різання

Кути навскісного різання можна регулювати від 0° до 45° з обох сторін. Щоб відрегулювати кут скісного різання:

1. Послабійте обидва осьові гвинти станини (14) доти, поки станину (15) не можна буде повернути (Рис. H).

**Примітка:** Скористайтесь торцювим шестигранним ключем на 3 мм, який входить до комплекту постачання.

2. Кути скісного різання (17) позначені на шкалі, розміщеній на боковій стороні станини (Рис. I).
3. Змістіть станину назад. Сумістіть край корпусу двигуна (18) з відмічкою потрібного кута (17) на боковій стороні станини і перемістіть станину вперед так, щоб шпильки корпусу двигуна зайшли в проріз (16).

**Примітка.** Відмітки кутів на боковій стороні станини ножівкової пилки призначені для використання тільки в якості орієнтовних значень. Для точного задання кутів оператор повинен використовувати транспортир.

4. Після виставлення потрібного кута затягніть осьові гвинти станини, щоб закріпити положення станини.
5. Зробіть пробне різання на бракованій заготовці і виміряйте кут навскісного різання. Відрегулюйте кут навскісного різання, якщо це буде необхідно.

## ПОРАДИ ЩОДО ЕФЕКТИВНОГО ВИКОРИСТАННЯ ІНСТРУМЕНТА

### Пиляння шаруватих матеріалів

При пилянні шаруватих матеріалів може відбуватися їх розщеплення, що може призвести до пошкодження зовнішньої поверхні. В більшості випадків полотно пиляє під час руху догори, тому, якщо плита черевика знаходиться на зовнішній поверхні, полотно під час різання повинно рухатись донизу або:

- використовуйте дрібнозубе пилкове полотно.
- починайте пиляння з тильної сторони робочої деталі.

- Притисніть робочу деталь з обох сторін відходами деревини або шматком ДСП, щоб звести до мінімуму розщеплення, і потім виконайте пиляння цієї конструкції.

## Пиляння металу

**Увага!** При пилянні металу забороняється підключати пилотирсозбірник. Металева тирса можуть бути дуже гарячими і можуть стати причиною виникнення пожежі. Пам'ятайте про те, що пиляння металу займає набагато більше часу, ніж пиляння дерева.

- Використовуйте пильне полотно, що підходить для обробки металу.
- При пилянні тонколистового металу прикріпіть до тильної сторони робочої деталі шматок з відходів деревини і виконайте пиляння цієї конструкції.
- Нанесіть плівку масла уздовж наміченої лінії пиляння.

## Глибоке різання

**Увага!** Щоб уникнути втрати керування пилкою, руйнування полотен чи пошкодження робочої деталі, завжди виконуйте глибоке різання максимально уважно. Рекомендовано виконувати глибоке різання тільки для дерева. Кожного разу, якщо це можливо, спочатку просвердліть на ділянці різання початковий отвір глибиною 3/8" (8 мм) або глибший і потім починайте різання на цьому отворі. Завдяки цьому відпаде потреба робити глибокий розріз.

**Примітка.** Для глибокого різання використовуйте пильні полотна тільки з 7 зубцями на дюйм.

1. Щоб виконати глибоке різання внутрішнього отвору, точно нанесіть лінію різання на робочій деталі.
2. Установіть кут навкісного різання 0° і зафіксуйте положення станини.
3. Нахиліть пилку вперед так, щоб вона опиралась на передній край станини і була в такому положенні, щоб полотно НЕ торкалось робочої деталі, коли перемикач буде УВІМКНЕНО (Рис. J). Примітка. Перевірте, щоб пильне полотно знаходилося в межах ділянки різання.
4. Увімкніть пилку і повільно опустіть полотно на робочу деталь, перевіряючи, щоб передній край станини не перестав торкатись робочої деталі. Зробіть полотном наскрізний розріз дерев'яної деталі.
5. Продовжуйте опускати полотно в робочу деталь, поки станина не сяде на неї усією площиною.

Продовжуйте різання по лінії різання і закінчіть операцію, коли буде необхідно.

## Пиляння металу

Ваша ножівкова пилка може різати багато металів. Під час різання будь-якого металу слідкуйте за тим, щоб пильне полотно не згиналось і не перекручувалось. Не прикладайте надмірного зусилля до пильного полотна. Якщо пильне полотно надмірно дрижчить чи вібрує, візьміть полотно з дрібнішими зубцями. Якщо полотно надмірно нагрівається, зменшіть швидкість різання. Якщо під час різання м'яких металів, таких як алюміній, зубці полотна забиваються, візьміть полотно з більшим кроком і меншою кількістю зубців на дюйм. Затисніть міцно робочу деталь і виконайте різання максимально близько від точки затискання, щоб уникнути вібрацій деталі під час різання. Якщо виконується різання кабельного каналу, труби чи залізного кутика, затисніть робочу деталь в лещатах і виконуйте різання максимально близько до лещат. Для різання тонколистових металевих матеріалів, вставте матеріал між листами ДСП чи фанери і затисніть цей «сандвіч», щоб уникнути вібрації і задирання матеріалу. В такому випадку різання буде виконуватись плавно. Нанесіть ваш зразок чи лінії різання зверху на «сандвіч».

## ТЕХНІЧНЕ ОБСЛУГОВУВАННЯ

### Загальні вказівки

**Увага!** Ні в якому разі не допускайте контакту пластмасових деталей з розчинниками, такими як гальмівні рідини, бензин, нафтопродукти, просочувальні масла тощо. Вони містять хімічні елементи, які можуть пошкодити, послабити або зруйнувати пластик. Щоб вилучити бруд, пил, масло, консистентне мастило та інше, використовуйте чисту суху тканину.

**Увага!** Під час використання струменя повітря для очищення ножівкової пилки від пилу надягайте захисні окуляри. Використання цієї ножівкової пилки для різання склопластику, будівельного картону і будівельного гіпсу призведе до її прискореного зношування внаслідок абразивної природи цих матеріалів. Під час різання цих матеріалів важливо періодично очищати ножівкову пилку. ЗАБОРОНЕНО використовувати електричний інструмент не за призначенням. Неналежне використання може призвести до пошкодження інструмента і оброблюваного виробу.

**Увага!** НЕ намагайтесь удосконалити чи змінити конструкцію цієї ножівкової пилки або створити приладдя, не рекомендовані для цієї ножівкової пилки. Будь-яка така зміна або модифікація є нецільовим використанням та може створити небезпечні умови, що можуть призвести до серйозної травми. Також це анулює гарантію.

Конструкція вашого інструменту BLACK+DECKER розрахована на роботу протягом тривалого періоду часу при мінімальному технічному обслуговуванні. Тривала задовільна робота інструменту забезпечується належним доглядом і регулярним очищенням.

- Регулярно очищуйте вентиляційні прорізи в інструменті і зарядному пристрої за допомогою м'якої щітки або сухої тканини.
- Регулярно очищуйте корпус двигуна за допомогою вологої тканини. Не використовуйте для очищення абразивні матеріали та засоби очищення на основі розчинників. В жодному разі не допускайте попадання рідини всередину інструменту і не занурюйте інструмент будь-якою частиною в рідину.

**Важливо!** Щоб гарантувати **БЕЗПЕКУ** та **НАДІЙНІСТЬ** інструмента, ремонт, обслуговування та налаштування (окрім описаних в цій інструкції) повинні проводитись в авторизованих сервісних центрах або кваліфікованими працівниками, завжди з використанням ідентичних запчастин.

## ЗМАЩУВАННЯ

Всі підшипники в цій ножівковій пилці змащені достатньою кількістю високосортного мастила для роботи інструмента в нормальних умовах. Тому в подальшому змазка не потрібна.

## Захист навколишнього середовища



Роздільний збір відходів. Забороняється утилізувати цей продукт разом зі звичайними побутовими відходами.

Якщо ви вирішите, що ваш виріб BLACK+DECKER необхідно замінити, або якщо ви не будете його більше використовувати, не утилізуйте його разом із побутовими відходами. Цей продукт підлягає роздільному збору відходів.



Роздільний збір використаних продуктів та пакувальних матеріалів дозволяє здійснювати їх вторинну переробку з подальшим повторним використанням. Використання матеріалів, що пройшли вторинну переробку, знижує забруднення навколишнього середовища та зменшує потребу в сировинних матеріалах.

Нормативні акти місцевих органів влади можуть передбачати збір використаних електричних виробів окремо від побутових відходів, в муніципальних пунктах збору відходів або в магазині при покупці нового обладнання.

Компанія BLACK+DECKER надає можливість для збору та повторної переробки продуктів BLACK+DECKER після закінчення терміну їх

служби. Щоб скористатися перевагою цього сервісу, будь ласка, надішліть ваш продукт будь-якому уповноваженому представнику з ремонту, який збирає такі вироби від нашого імені.

Ви можете дізнатися адресу нашого найближчого уповноваженого представника з ремонту, зателефонувавши в регіональне представництво BLACK+DECKER, вказане в цій інструкції. Крім того, список уповноважених представників з ремонту BLACK+DECKER, детальну інформацію про обслуговування після продажу та контактні дані можна знайти на сайті: [www.2helpU.com](http://www.2helpU.com).

## ІНФОРМАЦІЯ ПРО ОБСЛУГОВУВАННЯ

BLACK+DECKER пропонує широку мережу авторизованих сервісних центрів, якими володіє компанія. Всі сервісні центри BLACK+DECKER укомплектовані навченим персоналом, який виконує ефективне і надійне сервісне обслуговування власників електричних інструментів. Для отримання більш докладної інформації про авторизовані сервісні центри, щоб отримати технічну пораду та з'ясувати питання ремонту й оригінальних запасних частин, зверніться до найближчого представництва BLACK+DECKER на електронну адресу [www.blackanddecker.com](http://www.blackanddecker.com)

## ПРИМІТКА

- Одним із принципів політики BLACK+DECKER є постійне вдосконалення наших продуктів, тому ми залишаємо за собою право змінювати характеристики наших продуктів без попереднього сповіщення.
- Стандартне обладнання та приладдя у різних країнах може відрізнятися.
- Технічні характеристики виробів можуть різнитися залежно від країни.
- Повна лінійка продуктів може бути доступна не в усіх країнах. З питання наявності наших продуктів зверніться до дилерів BLACK+DECKER.

## ХАРАКТЕРИСТИКИ

	JS10	JS20
Потужність	400 Вт	400 Вт
Швидкість пильного полотна	3000/хв	1000-3000/хв
Довжина проходу	18 мм	18 мм
Глибина різання @ 90°	65 мм в дереві	65 мм в дереві
	6 мм в сталі	6 мм в сталі
Кут нахилу станини	0–45°	0–45°



Гарантійні умови

Шановний покупець!

1. Вітаємо Вас з покупкою високоякісного виробу BLACK + DECKER і висловлюємо вдячність за Ваш вибір.
2. При покупці виробу вимагайте перевірки його комплекtnості і справності у Вашій присутності, інструкцію з експлуатації та заповнений гарантійний талон українською мовою  
В гарантійному талоні повинні бути внесені: модель, дата продажу, серійний номер, дата виробництва інструменту; назва, печатка і підпис торгової організації. За відсутності у Вас правильно заповненого гарантійного талону, а також при невідповідності зазначених у ньому даних ми будемо змушені відхилити Ваші претензії щодо якості даного виробу.
3. Щоб уникнути непорозуміння, переконливо просимо Вас перед початком роботи з виробом уважно ознайомитися з інструкцією з його експлуатації. Правовою основою справжніх гарантійних умов є чинне Законодавство. Гарантійний термін на даний виріб складає 24 місяці і обчислюється з дня продажу. У разі усунення недоліків виробу, гарантійний строк продовжується на період його перебування в ремонті. Термін служби виробу становить 5 років з дня продажу.
4. У разі виникнення будь-яких проблем у процесі експлуатації виробу рекомендуємо Вам звертатися тільки в уповноважені сервісні центри BLACK + DECKER, адреси та телефони яких Ви зможете знайти в гарантійному талоні, на сайті [www.2helpU.com](http://www.2helpU.com) або дізнатися в магазині. Наші сервісні станції - це не тільки кваліфікований ремонт, але і широкий асортимент запчастин і аксесуарів.
5. Виробник рекомендує проводити періодичну перевірку і технічне обслуговування виробу в уповноважених сервісних центрах.
6. Наші гарантійні зобов'язання поширюються тільки на несправності, виявлені протягом гарантійного терміну і викликані дефектами виробництва та \ або матеріалів.
7. Гарантійні умови не поширюються на несправності виробу, що виникли в результаті:
  - 7.1 Недотримання користувачем приписів інструкції з експлуатації виробу, застосування виробу не за призначенням, неправильного зберігання, використання приладдя, витратних матеріалів і запчастин, що не передбачені виробником.

- 7.2 Механічного пошкодження (відколи, тріщини і руйнування) внутрішніх і зовнішніх деталей виробу, основних і допоміжних рукояток, мережевого кабелю, що викликані зовнішнім ударним або будь-яким іншим впливом
- 7.3 Потрапляння у вентиляційні отвори та проникнення всередину виробу сторонніх предметів, матеріалів або речовин, що не є відходами, які супроводжують застосування виробу за призначенням, такими як: стружка, тирса, пісок, та ін.
- 7.4 Впливу на виріб несприятливих атмосферних і інших зовнішніх факторів, таких як дощ, сніг, підвищена вологість, нагрівання, агресивні середовища, невідповідність параметрів електромережі, що зазначені на інструменті.
- 7.5 Стихійного лиха. Пошкодження або втрати виробу, що пов'язані з попередбаченими лихами, стихійними явищами, у тому числі внаслідок дії непереборної сили (пожежа, блискавка, потоп і інші природні явища), а також внаслідок перепадів напруги в електромережі та іншими причинами, які знаходяться поза контролем виробника.
8. Гарантійні умови не поширюються:
  - 8.1. На інструменти, що піддавалися розкриттю, ремонту або модифікації поза уповноваженим сервісним центром.
  - 8.2. На деталі, вузли та матеріали, що мають сліди природного зносу, такі як: приводні ремені і колеса, вугільні шітки, мастило, підшипники, зубчасті зчеплення редукторів, гумові ущільнення, сальники, направляючі ролики, муфти, вимикачі, бойки, штовхачі, стволи тощо.
  - 8.3. На змінні частини: патрони, цанги, затискні гайки і фланці, фільтри, акумуляторні батареї, ножи, шліфувальні підшови, ланцюги, зірочки, пильні шини, захисні кожухи, пилки, абразиви, пильні і абразивні диски, фрези, свердла, бури тощо
  - 8.4. На несправності, що виникли в результаті перевантаження інструменту (як механічного, так і електричного), що спричинили вихід з ладу одночасно двох і більше деталей і вузлів, таких як: ротора і статора, обох обмоток статора, веденої і ведучої шестерень редуктора або інших вузлів і деталей. До безумовних ознак перевантаження виробу відноситься, крім інших: поява кольорів мінливості, деформація або оплавлення деталей і вузлів виробу, потемніння або обуглювання ізоляції проводів електродвигуна під впливом високої температури.



Виробник:  
"Stanley BLACK+DECKER Deutschland GmbH" Black-&-Decker Str.40, D-65510 Idstein, Німеччина





