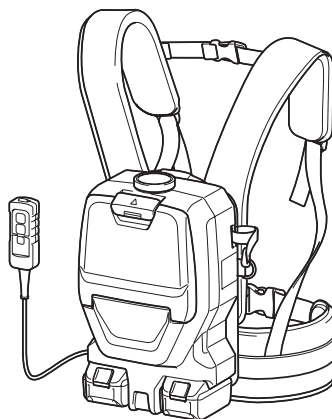
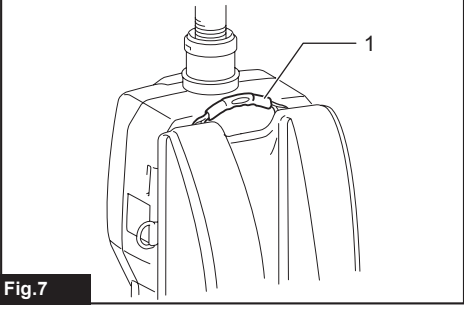
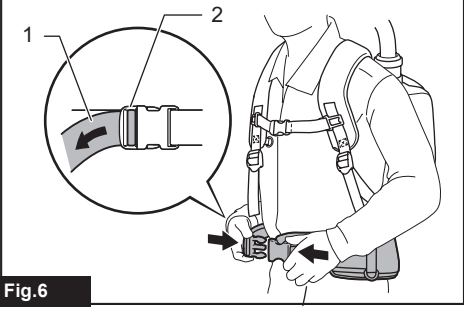
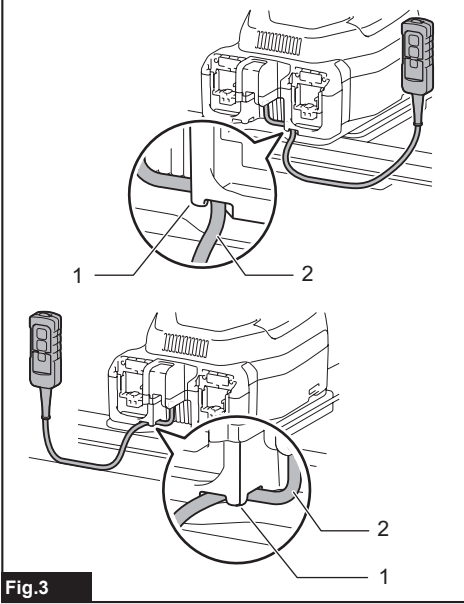
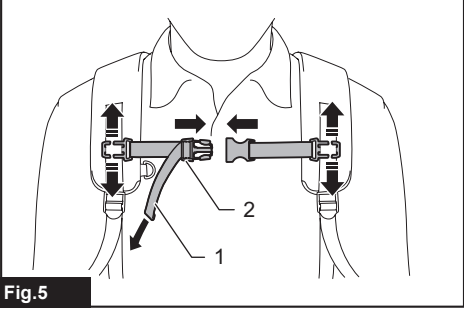
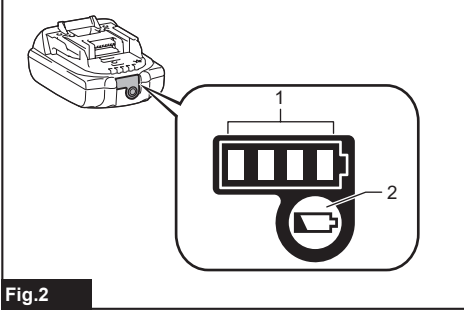
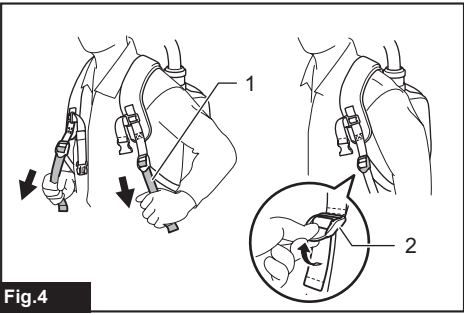
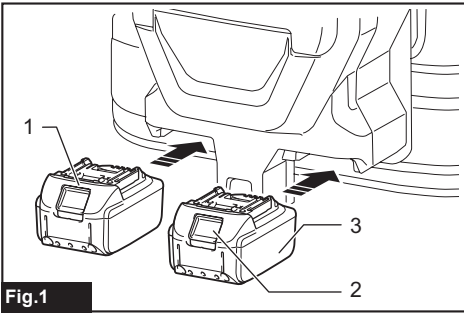




EN	Cordless Backpack Vacuum Cleaner	INSTRUCTION MANUAL	7
SV	Sladdlös ryggsugare	BRUKSANVISNING	13
NO	Trådløs ryggsekk-støvsuger	BRUKSANVISNING	19
FI	Akkukäyttöinen selkäreppumuri	KÄYTTÖOHJE	25
LV	Uz muguras pārnēsājams bezvadu putekļu sūcējs	LIETOŠANAS INSTRUKCIJA	31
LT	Akumuliatorinis nešiojamasis vakuuminis valymo įrenginys	NAUDOJIMO INSTRUKCIJA	37
ET	Juhtmeta seljakott-tolmuimeja	KASUTUSJUHEND	43
RU	Ранцевый аккумуляторный пылесос	РУКОВОДСТВО ПО ЭКСПЛУАТАЦИИ	49

DVC260





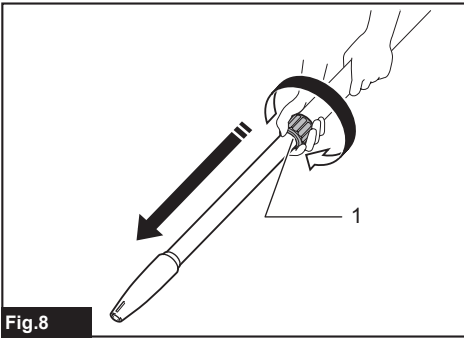


Fig.8

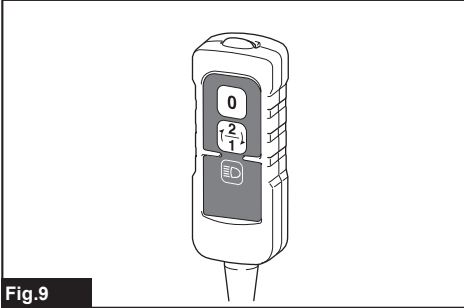


Fig.9

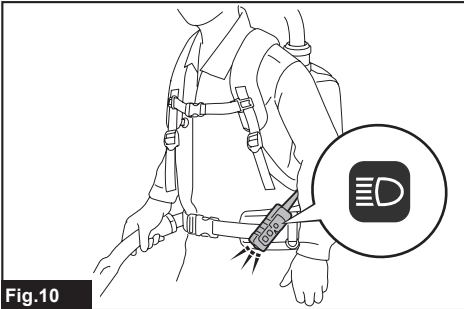


Fig.10

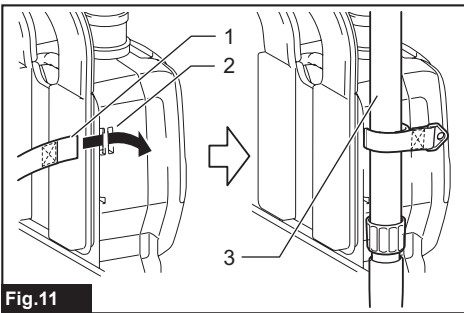


Fig.11

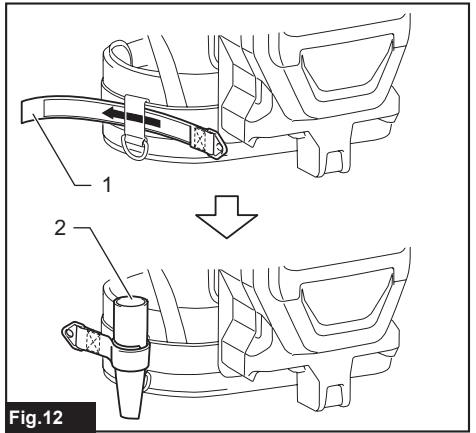


Fig.12

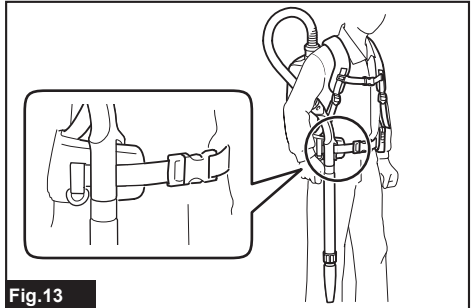


Fig.13

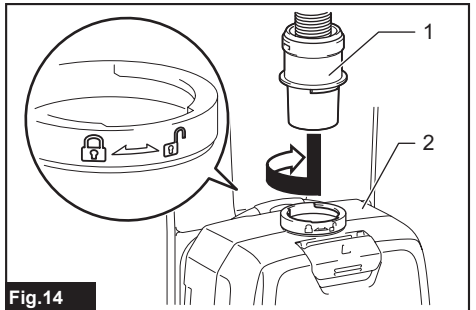


Fig.14

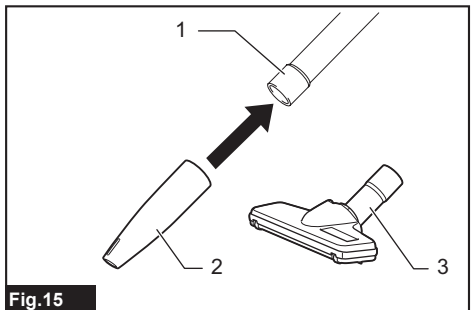


Fig.15

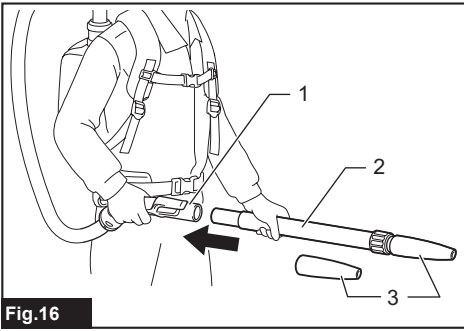


Fig.16

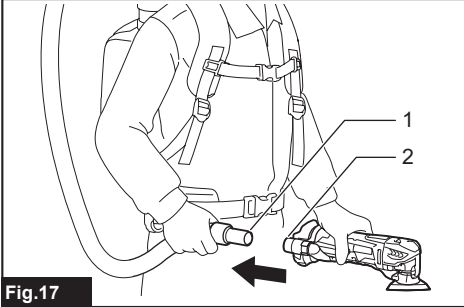


Fig.17

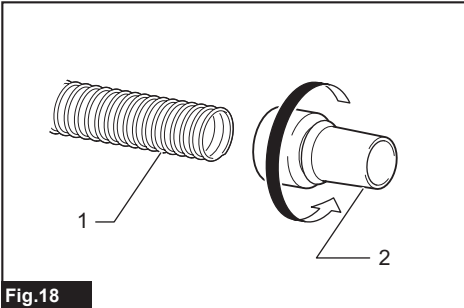


Fig.18

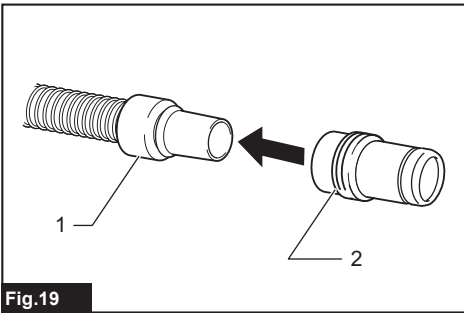


Fig.19

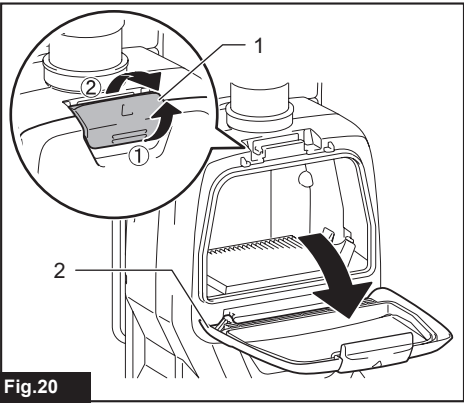


Fig.20

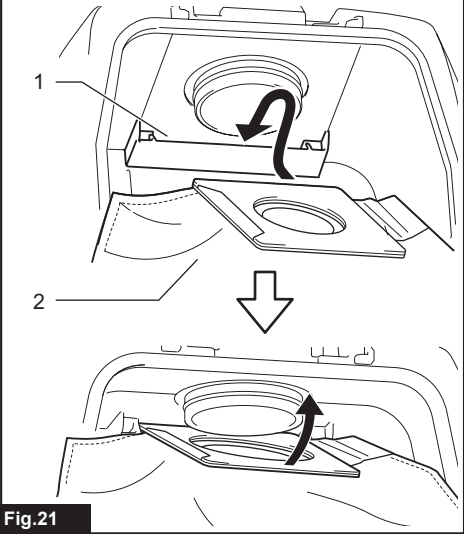


Fig.21

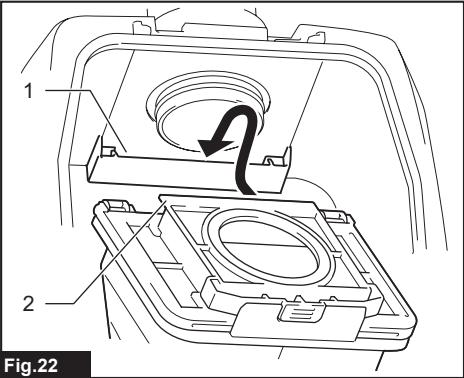


Fig.22

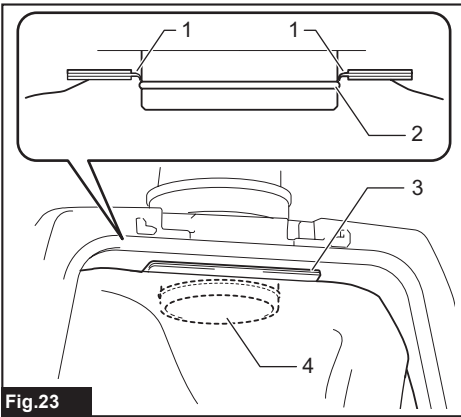


Fig.23

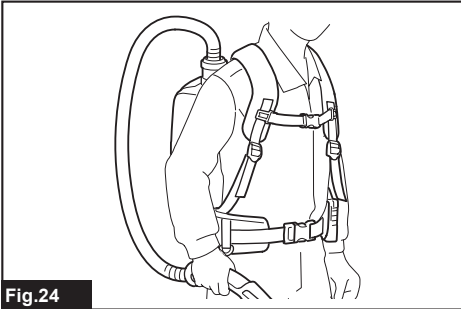


Fig.24

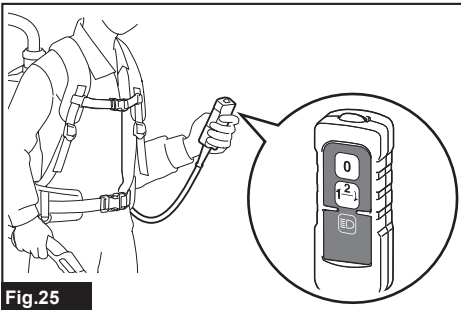


Fig.25

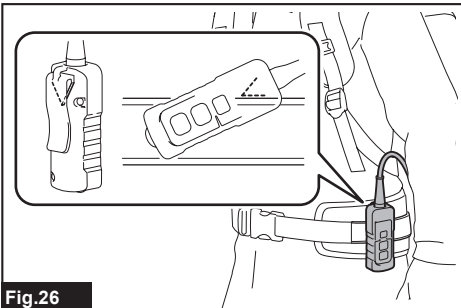


Fig.26

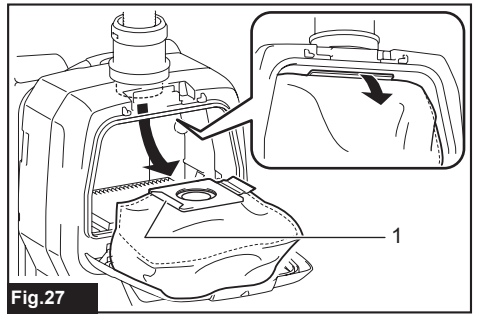


Fig.27

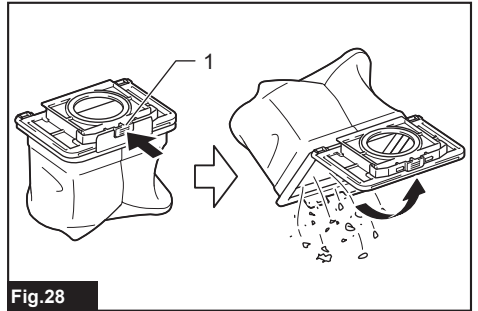


Fig.28

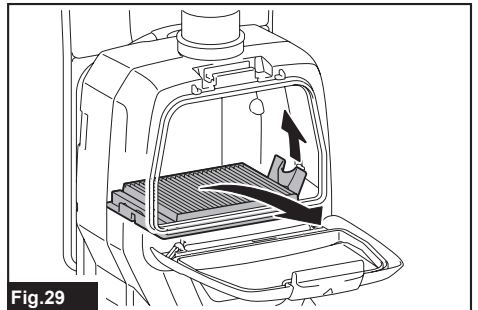


Fig.29

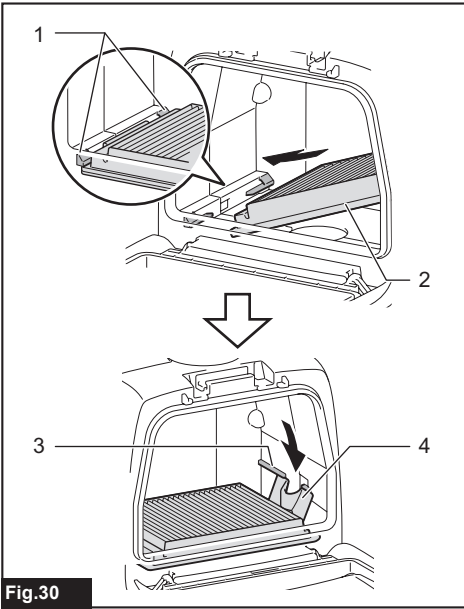


Fig.30

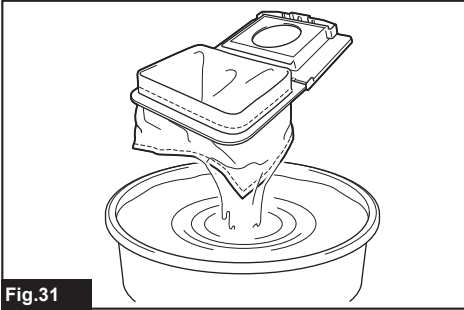


Fig.31

SPECIFICATIONS

Model:		DVC260
Capacity	Filter bag	2.0 L
	Dust bag	1.5 L
Maximum air volume		1.5 m ³ /min
Dimensions (L x W x H) (excluding the harness)		230 mm x 152 mm x 373 mm
Rated voltage		D.C. 36 V
Standard battery cartridge		BL1815N, BL1820, BL1820B BL1830, BL1830B, BL1840, BL1840B, BL1850, BL1850B, BL1860B
Net weight (Vacuum cleaner type)		3.8 kg 4.3 kg

- Due to our continuing program of research and development, the specifications herein are subject to change without notice.
- Specifications and battery cartridge may differ from country to country.
- Weight, with battery cartridge, according to EPTA-Procedure 01/2003

Symbols

The following show the symbols used for the equipment. Be sure that you understand their meaning before use.



Read instruction manual.



Only for EU countries
Do not dispose of electric equipment or battery pack together with household waste material! In observance of the European Directives, on Waste Electric and Electronic Equipment and Batteries and Accumulators and Waste Batteries and Accumulators and their implementation in accordance with national laws, electric equipment and batteries and battery pack(s) that have reached the end of their life must be collected separately and returned to an environmentally compatible recycling facility.

Intended use

The tool is intended for collecting dry dust. The tool is suitable for commercial use, for example in hotels, schools, hospitals, factories, shops, offices and rental businesses.

Noise

The typical A-weighted noise level determined according to 60332-2-69, 60704-2-1:

Sound pressure level (L_{pA}): 70 dB(A) or less
Uncertainty (K): 2.5 dB(A)

The noise level under working may exceed 80 dB (A).

WARNING: Wear ear protection.

Vibration

The vibration total value (tri-axial vector sum) determined according to 60335-2-69:

Work mode: operation without load

Vibration emission (a_{h}): 2.5 m/s² or less

Uncertainty (K): 1.5 m/s²

NOTE: The declared vibration emission value has been measured in accordance with the standard test method and may be used for comparing one tool with another.

NOTE: The declared vibration emission value may also be used in a preliminary assessment of exposure.

WARNING: The vibration emission during actual use of the power tool can differ from the declared emission value depending on the ways in which the tool is used.

WARNING: Be sure to identify safety measures to protect the operator that are based on an estimation of exposure in the actual conditions of use (taking account of all parts of the operating cycle such as the times when the tool is switched off and when it is running idle in addition to the trigger time).

EC Declaration of Conformity

For European countries only

Makita declares that the following Machine(s):

Designation of Machine: Cordless Backpack Vacuum Cleaner

Model No./ Type: DVC260

Conforms to the following European Directives: 2006/42/EC

They are manufactured in accordance with the following standard or standardized documents: EN60335

The technical file in accordance with 2006/42/EC is available from:

Makita, Jan-Baptist Vinkstraat 2, 3070, Belgium



Yasushi Fukaya
Director
Makita, Jan-Baptist Vinkstraat 2, 3070, Belgium

SAFETY WARNINGS

Cordless vacuum cleaner safety warnings

⚠ WARNING: IMPORTANT! READ CAREFULLY all safety warnings and all instructions BEFORE USE. Failure to follow the warnings and instructions may result in electric shock, fire and/or serious injury.

1. Before use, make sure that this cleaner must be used by people who have been adequately instructed on the use of this cleaner.
2. Do not use the cleaner without the filter. Replace a damaged filter immediately.
3. Do not attempt to pick up flammable materials, fire works, lighted cigarettes, hot ashes, hot metal chips, sharp materials such as razors, needles, broken glass or the like.
4. NEVER USE THE CLEANER IN THE VICINITY OF GASOLINE, GAS, PAINT, ADHESIVES OR OTHER HIGHLY EXPLOSIVE SUBSTANCES. The switch emits sparks when turned ON and OFF. And so does the motor commutator during operation. A dangerous explosion may result.
5. Never vacuum up toxic, carcinogenic, combustible or other hazardous materials such as asbestos, arsenic, barium, beryllium, lead, pesticides, or other health endangering materials.
6. Never use the cleaner outdoors in the rain.
7. Do not use close to heat sources (stoves, etc.).
8. Do not block cooling vents. These vents permit cooling of the motor. Blockage should be carefully avoided otherwise the motor will burn out from lack of ventilation.
9. Keep proper footing and balance at all times.
10. Do not fold, tug or step on the hose.
11. Stop the cleaner immediately if you notice poor performance or anything abnormal during operation.
12. DISCONNECT THE BATTERIES. When not in use, before servicing, and when changing accessories.
13. Clean and service the cleaner immediately after each use to keep it in tiptop operating condition.
14. MAINTAIN THE CLEANER WITH CARE. Keep the cleaner clean for better and safer performance. Follow instructions for changing accessories. Keep handles dry, clean, and free from oil and grease.
15. CHECK DAMAGED PARTS. Before further use of the cleaner, a guard or other part that is damaged should be carefully checked to determine that it will operate properly and perform its intended function. Check for alignment of moving parts, binding of moving parts, breakage of parts, mounting, and any other conditions that may affect its operation. A guard or other part that is damaged should be properly repaired or replaced by an authorized service center unless otherwise indicated elsewhere in this instruction manual. Have defective switches replaced by authorized service center. Don't use the cleaner if switch does not turn it on and off.
16. REPLACEMENT PARTS. When servicing, use only identical replacement parts.
17. STORE IDLE CLEANER. When not in use, the cleaner should be stored indoors.
18. Be kind to your cleaner. Rough handling can cause breakage of even the most sturdily built cleaner.
19. Do not attempt to clean the exterior or interior with benzine, thinner or cleaning chemicals. Cracks and discoloration may be caused.
20. Do not use cleaner in an enclosed space where flammable, explosive or toxic vapors are given off by oil-base paint, paint-thinner, gasoline, some mothproofing substances, etc., or in areas where flammable dust is present.
21. Do not operate the cleaner while under the influence of drugs or alcohol.
22. As a basic rule of safety, use safety goggles or safety glasses with side shields.
23. Use a dust mask in dusty work conditions.
24. This machine is not intended for use by persons including children with reduced physical, sensory or mental capabilities, or lack of experience and knowledge.
25. Young children should be supervised to ensure that they do not play with the cleaner.
26. Never handle batteries and cleaner with wet hands.
27. Use extreme caution when cleaning on stairs.
28. Do not use the cleaner as a stool or work bench. The machine may fall down and may result in personal injury.

Service

1. Have your power tool serviced by a qualified repair person using only identical replacement parts. This will ensure that the safety of the power tool is maintained.
2. Follow instruction for lubricating and changing accessories.
3. Keep handles dry, clean and free from oil and grease.

Important safety instructions for battery cartridge

1. Before using battery cartridge, read all instructions and cautionary markings on (1) battery charger, (2) battery, and (3) product using battery.
2. Do not disassemble battery cartridge.

3. If operating time has become excessively shorter, stop operating immediately. It may result in a risk of overheating, possible burns and even an explosion.
4. If electrolyte gets into your eyes, rinse them out with clear water and seek medical attention right away. It may result in loss of your eyesight.
5. Do not short the battery cartridge:
 - (1) Do not touch the terminals with any conductive material.
 - (2) Avoid storing battery cartridge in a container with other metal objects such as nails, coins, etc.
 - (3) Do not expose battery cartridge to water or rain.

A battery short can cause a large current flow, overheating, possible burns and even a breakdown.
6. Do not store the tool and battery cartridge in locations where the temperature may reach or exceed 50 °C (122 °F).
7. Do not incinerate the battery cartridge even if it is severely damaged or is completely worn out. The battery cartridge can explode in a fire.
8. Be careful not to drop or strike battery.
9. Do not use a damaged battery.
10. The contained lithium-ion batteries are subject to the Dangerous Goods Legislation requirements. For commercial transports e.g. by third parties, forwarding agents, special requirement on packaging and labeling must be observed. For preparation of the item being shipped, consult an expert for hazardous material is required. Please also observe possibly more detailed national regulations. Tape or mask off open contacts and pack up the battery in such a manner that it cannot move around in the packaging.
11. Follow your local regulations relating to disposal of battery.

SAVE THESE INSTRUCTIONS.

CAUTION: Only use genuine Makita batteries. Use of non-genuine Makita batteries, or batteries that have been altered, may result in the battery bursting causing fires, personal injury and damage. It will also void the Makita warranty for the Makita tool and charger.

Tips for maintaining maximum battery life

1. Charge the battery cartridge before completely discharged. Always stop tool operation and charge the battery cartridge when you notice less tool power.
2. Never recharge a fully charged battery cartridge. Overcharging shortens the battery service life.
3. Charge the battery cartridge with room temperature at 10 °C - 40 °C (50 °F - 104 °F). Let a hot battery cartridge cool down before charging it.
4. Charge the battery cartridge if you do not use it for a long period (more than six months).

FUNCTIONAL DESCRIPTION

CAUTION: Always be sure that the tool is switched off and the battery cartridge is removed before adjusting or checking function on the tool.

Installing or removing battery cartridge

CAUTION: Always switch off the tool before installing or removing of the battery cartridge.

CAUTION: Hold the tool and the battery cartridge firmly when installing or removing battery cartridge. Failure to hold the tool and the battery cartridge firmly may cause them to slip off your hands and result in damage to the tool and battery cartridge and a personal injury.

► Fig.1: 1. Red indicator 2. Button 3. Battery cartridge

To remove the battery cartridge, slide it from the tool while sliding the button on the front of the cartridge.

To install the battery cartridge, align the tongue on the battery cartridge with the groove in the housing and slip it into place. Insert it all the way until it locks in place with a little click. If you can see the red indicator on the upper side of the button, it is not locked completely.

CAUTION: Always install the battery cartridge fully until the red indicator cannot be seen. If not, it may accidentally fall out of the tool, causing injury to you or someone around you.

CAUTION: Do not install the battery cartridge forcibly. If the cartridge does not slide in easily, it is not being inserted correctly.

Tool / battery protection system

The tool is equipped with a tool/battery protection system. This system automatically cuts off power to the motor to extend tool and battery life. The tool will automatically stop during operation if the tool or battery is placed under one of the following conditions.

Overload protection

When the tool is operated in a manner that causes it to draw an abnormally high current, the tool automatically stops without any indication. In this situation, turn the tool off and stop the application that caused the tool to become overloaded. Then turn the tool on to restart.

Overheat protection

When the tool is overheated, the tool stops automatically. Let the tool cool down before turning the tool on again.

Overdischarge protection

When the battery capacity becomes low, the tool stops automatically. If the product does not operate even when the switches are operated, remove the batteries from the tool and charge the batteries.

Indicating the remaining battery capacity

Only for battery cartridges with the indicator

► **Fig.2:** 1. Indicator lamps 2. Check button

Press the check button on the battery cartridge to indicate the remaining battery capacity. The indicator lamps light up for few seconds.

Indicator lamps			Remaining capacity
Lighted	Off	Blinking	
■	□	▣	75% to 100%
■	■	■	
■	■	□	
■	■	□	
■	□	□	50% to 75%
■	□	□	25% to 50%
■	□	□	0% to 25%
▣	□	□	Charge the battery.
■	■	□	The battery may have malfunctioned.
□	□	■	

NOTE: Depending on the conditions of use and the ambient temperature, the indication may differ slightly from the actual capacity.

Switch box position

The switch box can be hooked on either side of the lower belt. Arrange the cord so that the switch box comes to your desired side. To prevent the cord from being damaged, pass the cord through the hook as illustrated.

► **Fig.3:** 1. Hook 2. Cord

Adjusting belts

The tightness of the shoulder belts, upper and lower belts can be adjusted. Put your arms through the shoulder belts first then fasten the upper and lower belts. To tighten, pull the end of the strap as illustrated. To loosen, pull up the end of the fastener.

Shoulder belts

► **Fig.4:** 1. Strap 2. Fastener

Upper belt

► **Fig.5:** 1. Strap 2. Fastener

Lower belt

► **Fig.6:** 1. Strap 2. Fastener

Carrying hook

Always grab the carrying hook when handling the vacuum cleaner body.

► **Fig.7:** 1. Carrying hook

Extension wand

For vacuum cleaner type only

The length of the wand can be adjusted. Loosen the ring on the wand and adjust the wand length. Tighten the ring at your desired length.

► **Fig.8:** 1. Ring

Switch action

To start vacuuming, press (2) button once. The vacuum cleaner will start in higher suction power (2). If you want to lower the suction power, press (2) button one more time. The vacuum cleaner will operate in normal suction power (1). When you press the button while the vacuum cleaner is running, the suction power switches between higher and normal suction power. To turn off the vacuum cleaner, press (0) button.

► **Fig.9**

LED light

LED light is installed in the head of the switch box to ease the operations in dark places. Press (LED) button to turn the light on. To turn off, press (LED) button again.

► **Fig.10**

CAUTION: Do not look in the light or see the source of light directly. Never aim the light to other people's eyes.

NOTE: The LED light is automatically turned off when the vacuum cleaner is not operated for more than 10 minutes.

NOTE: The vacuum cleaner will automatically switches off and the LED light flashes when the vacuum cleaner is overheated due to the reduced air-flow into the machine caused by clogged hose, pipe, filter or other reasons.

Hose band

Hose band can be used for holding the wand or free nozzle.

To secure the wand to the vacuum cleaner body, pass the hose band through the slot on the body. You can attach the hose band on either side.

► **Fig.11:** 1. Hose band 2. Slot 3. Extension wand

To hold the free nozzle on the lower belt, pass the hose band through the loop on the lower belt.

► **Fig.12:** 1. Hose band 2. Free nozzle

Hose hook

For vacuum cleaner type only

When you suspend the operation, the hook on the hose can be used for hanging the wand on the lower belt.

► **Fig.13**

ASSEMBLY

⚠ CAUTION: Always be sure that the tool is switched off and the battery cartridge is removed before carrying out any work on the tool.

Assembling hose

Insert the hose cuff into the vacuum cleaner body and turn it clockwise.

► **Fig.14:** 1. Hose cuff 2. Vacuum cleaner body

Assembling wand and nozzle

For vacuum cleaner type only

Connect the nozzle to the extension wand. After that, shoulder the vacuum cleaner body then connect the hose with the extension wand.

Connecting extension wand and nozzle

► **Fig.15:** 1. Extension wand 2. Free nozzle
3. T-shape nozzle

Connecting hose and extension wand

► **Fig.16:** 1. Hose 2. Extension wand 3. Free nozzle

NOTE: The free nozzle can be attached to the hose directly.

Connecting the tool

For dust extraction type only

Connect the front cuff on the hose with the tool's extraction outlet.

► **Fig.17:** 1. Front cuff 2. Extraction outlet

Always use a suitable front cuff. The front cuff can be detached by turning it counterclockwise while holding the hose. When connecting, make sure that the front cuff is securely screwed in the hose.

► **Fig.18:** 1. Hose 2. Front cuff

When using the front cuff 24, insert it to the front cuff 22 that is connected to the hose.

► **Fig.19:** 1. Front cuff 22 2. Front cuff 24

Installing filter bag

⚠ CAUTION: Do not use a damaged filter bag. Always use the vacuum cleaner with the filter bag properly installed. Otherwise the vacuumed dust or particles may be exhausted from the cleaner and they may cause respiratory disease to the operator.

NOTICE: When the filter bag is already full, replace with new one. Continuous use with the filter bag full results in reduced suction power.

1. Unlock the latch by lifting the bottom side. Push the grooved area to lift the front latching side. Pull the latch to open the lid.

► **Fig.20:** 1. Hook 2. Lid

2. Insert the filter bag into the slit on the upper side of the room as illustrated.

► **Fig.21:** 1. Slit 2. Filter bag / Dust bag

When using the dust bag (optional accessory), insert the brim of the dust bag into the slit.

► **Fig.22:** 1. Slit 2. Brim

3. Align the hole of the filter bag with the hose cuff and push the cardboard portion to the end. Make sure that the rubber ring on the filter bag goes over the rim on the hose cuff.

► **Fig.23:** 1. Rubber ring on the filter bag 2. Rim on the hose cuff 3. Cardboard portion of the filter bag 4. Hose cuff

OPERATION

⚠ WARNING: Operators shall be adequately instructed on the use of the vacuum cleaner.

⚠ WARNING: This vacuum cleaner is not suitable for picking up hazardous dust.




⚠ CAUTION: This cleaner is for dry use only.

⚠ CAUTION: This cleaner is for indoor use only.

⚠ CAUTION: Always insert the battery cartridge all the way until it locks in place. If you can see the red indicator on the upper side of the button, it is not locked completely. Insert it fully until the red indicator cannot be seen. If not, it may accidentally fall out of the tool, causing injury to you or someone around you.

1. Shoulder the vacuum cleaner body and fasten upper and lower belts. Adjust the tightness as necessary.

► **Fig.24**

2. Press  button to start vacuuming. If you want to lower the suction power, press  button one more time. Press  button to stop.

► **Fig.25**

During the operation, hook the switch box on the lower belt. The hook can be slanted for lighting forward.

► **Fig.26**

NOTE: The vacuum cleaner will automatically switches off and the LED light flashes when the vacuum cleaner is overheated due to the reduced air-flow into the machine caused by clogged hose, pipe, filter or other reasons. In this case, remove the cause of the problem and cool the vacuum cleaner before restarting.

3. Replace the filter bag when it becomes full. Open the lid and take out the filter bag. Pull the strip on the side of the opening to shut the filter bag and dispose of the filter bag in whole.

► **Fig.27:** 1. Strip

When using a dust bag (optional accessory), take out the dust bag and dispose of the dust by releasing the latch.

► **Fig.28:** 1. Latch

NOTICE: Periodically check the filter bag if it is full. Continuous use with the filter bag full results in reduced suction power.

NOTICE: Do not use an used filter bag. The filter bag is designed for single use. If you want to use the bag repeatedly, use a dust bag (optional accessory).

MAINTENANCE

CAUTION: Always be sure that the tool is switched off and the battery cartridge is removed before attempting to perform inspection or maintenance.

NOTICE: Never use gasoline, benzine, thinner, alcohol or the like. Discoloration, deformation or cracks may result.

Cleaning the filter

CAUTION: Do not use the vacuum cleaner without a filter or continue to use dirty or damaged filter. Vacuumed dust or particles may be exhausted from the cleaner and they may cause respiratory disease to the operator.

NOTICE: To keep optimum suction power and clean exhaust, clean the filter periodically. If enough suction power is not obtained even after the cleaning, replace the filter with new one.

NOTICE: To prevent the filter from being damaged, do not use an air duster and/or high pressure washer for cleaning.

1. Open the lid and take out the filter bag. Release the hook on the filter and remove it from the vacuum cleaner body.

► **Fig.29**

2. Beat the dust off from the filter. The filter can be washed with water. Rinse away the dust and particles on the filter every 1 or 2 month. After that, dry the filter completely in a shaded and well-ventilated place to prevent unpleasant odor or malfunctions.

3. To install the filter, insert the side without the flap into the holder then push the filter downward until the flap is secured by the rib.

► **Fig.30:** 1. Holder 2. Filter 3. Rib 4. Flap

Cleaning the dust bag

Regularly clean the dust bag with soap and water. Turn the dust bag inside out and remove the sticky dust. Wash lightly by hand and rinse well with water. Dry completely before installing to the vacuum cleaner.

► **Fig.31**

NOTICE: Wet dust bag lowers the vacuuming performance as well as the life of the motor.

To maintain product SAFETY and RELIABILITY, repairs, any other maintenance or adjustment should be performed by Makita Authorized or Factory Service Centers, always using Makita replacement parts.

OPTIONAL ACCESSORIES

CAUTION: These accessories or attachments are recommended for use with your Makita tool specified in this manual. The use of any other accessories or attachments might present a risk of injury to persons. Only use accessory or attachment for its stated purpose.

If you need any assistance for more details regarding these accessories, ask your local Makita Service Center.

- Hose (for vacuum cleaner type)
- Hose (for dust extraction type)
- Extension wand
- Free nozzle
- T-shape nozzle
- Nozzle for carpet
- Shelf brush
- Round brush
- Filter bag
- Dust bag
- Front cuff
- Filter
- Makita genuine battery and charger

NOTE: Some items in the list may be included in the tool package as standard accessories. They may differ from country to country.

SPECIFIKATIONER

Modell:		DVC260
Kapacitet	Filterpåse	2,0 L
	Dampmpåse	1,5 L
Maximal luftvolym		1,5 m ³ /min
Dimensioner (L x B x H) (utan sele)		230 mm x 152 mm x 373 mm
Märkspänning		36 V likström
Standardbatterikassett		BL1815N, BL1820, BL1820B BL1830, BL1830B, BL1840, BL1840B, BL1850, BL1850B, BL1860B
Nettovikt (dammsugartyp)		3,8 kg 4,3 kg

- På grund av vårt pågående program för forskning och utveckling kan dessa specifikationer ändras utan föregående meddelande.
- Specifikationer och batterikassett kan variera mellan olika länder.
- Vikt, med batterikassett, i enlighet med EPTA-procedure 01/2003

Symboler

Följande visar symbolerna som används för utrustningen. Se till att du förstår innebörden innan du använder borrhaskinen.



Läs igenom bruksanvisningen.



Gäller endast EU-länder
Elektrisk utrustning eller batteripaket får inte kastas i hushållsavfallet! Enligt EU-direktiven som avser förbrukad elektrisk och elektronisk utrustning, batterier, ackumulatörer, förbrukade batterier och ackumulatörer, samt direktivens tillämpning enligt nationell lagstiftning, ska utjämt elektrisk utrustning, batterier och batteripaket sorteras separat och lämnas till miljövänlig återvinning.

Avsedd användning

Det här redskapet är avsett för insamling av torrt damm. Maskinen är avsedd för kommersiellt bruk, till exempel i hotell, skolor, sjukhus, fabriker, affärer, kontor och utrymningsrörelser.

Buller

Den normala bullernivån för A-belastning är bestämd enligt 60332-2-69, 60704-2-1:

Ljudtrycksnivå (L_{pA}): 70 dB (A) eller lägre
Måttolerans (K): 2,5 dB (A)

Bullernivån vid arbete kan överstiga 80 dB (A).

⚠ VARNING: Använd hörselskydd.

Vibration

Det totala vibrationsvärdet (treaxlad vektorsumma) bestämt enligt 60335-2-69:

Arbetsläge: skivsågning
Vibrationsemission (a_h): 2,5 m/s² eller lägre
Måttolerans (K): 1,5 m/s²

OBS: Det deklarerade vibrationsemissionsvärdet har uppmätts i enlighet med standardtestmetoden och kan användas för att jämföra en maskin med en annan.

OBS: Det deklarerade vibrationsemissionsvärdet kan också användas i en preliminär bedömning av exponering för vibration.

⚠ VARNING: Vibrationsemissionen under faktisk användning av maskinen kan skilja sig från det deklarerade emissionsvärdet, beroende på hur maskinen används.

⚠ VARNING: Var noga med att identifiera säkerhetsåtgärder för att skydda användaren, vilka är grundade på en uppskattning av graden av exponering för vibrationer under de faktiska användningsförhållandena, (ta, förutom avtryckartiden, med alla delar av användarcykeln i beräkningen, som till exempel tiden då maskinen är avstängd och när den går på tomgång).

EU-konformitetsdeklaration

Gäller endast inom EU

Makita försäkras att följande maskiner:

Maskinbeteckning: Sladdlös ryggdamsugare

Modellnr./-typ: DVC260

Följer följande EU-direktiv: 2006/42/EC

De är tillverkade i enlighet med följande standard eller standardiseringsdokument: EN60335

Den tekniska dokumentationen i enlighet med 2006/42/EC finns tillgänglig från:

Makita, Jan-Baptist Vinkstraat 2, 3070, Belgium



Yasushi Fukaya

Direktör

Makita, Jan-Baptist Vinkstraat 2, 3070, Belgium

SÄKERHETSVARNINGAR

Säkerhetsvarningar för sladdlös ryggdammsugare

⚠ VARNING: VIKTIGT! LÄS NOGGRANT igenom alla säkerhetsvarningar och anvisningar FÖRE ANVÄNDNING. Underlåtenhet att följa varningar och instruktioner kan leda till elstötar, brand och/eller allvarliga personskador.

- Före användning bör du se till att denna dammsugare endast används av personer som har fått korrekta instruktioner om hur dammsugaren ska användas.
 - Använd inte dammsugaren utan filtret. Byt genast ut ett skadat filter.
 - Försök inte att suga upp lättantändliga material, fyrverkerier, tända cigaretter, het aska, heta metallflisor, vassa material som rakblad, nålar, krossat glas eller liknande.
 - ANVÄND ALDRIG DAMMSUGAREN I NÄRHETEN AV BENSIN, GAS, FÄRG, LIM ELLER ANDRA HÖGEXPLOSIVA ÄMNEN.** Strömbrytaren avger gnistor när den slås PÅ och AV. Det gör även motorcommutatorn under användning. En farlig explosion kan uppstå.
 - Sug aldrig upp giftiga, cancerframkallande, brännbara eller andra farliga material som asbest, arsenik, barium, beryllium, bly, bekämpningsmedel eller annat hälsofarliga material.
 - Använd aldrig dammsugaren utomhus i regnet.
 - Använd inte dammsugaren nära värmekällor (spisar osv.).
 - Blockera inte kylventiler. Dessa ventiler kyler ner motorn. Var noggrann med att inte blockera dessa, då motorn bränns ut om det inte finns någon ventilation.
 - Stå alltid stabilt och ha god balans hela tiden.
 - Slangen får inte vikas, ryckas i eller trampas på.
 - Stäng genast av dammsugaren om den suger dåligt eller något onormalt sker med den under användningen.
 - TA UR BATTERIERNA.** När dammsugaren inte används, före service och vid byte av tillbehör.
 - Rengör och serva dammsugaren omedelbart efter varje användning för att hålla den i perfekt skick.
 - UNDERHÅLL DAMMSUGAREN MED OMSORG.** Håll dammsugaren ren för bättre och säkrare användning. Följ anvisningarna för byte av tillbehör. Håll handtagen torra, rena och fria från olja och smuts.
- KONTROLLERA SKADADE DELAR.** Före fortsatt användning av dammsugaren ska ett skadat skydd eller annan del som är skadad noggrant kontrolleras för att avgöra om den kommer att fungera korrekt och utföra det arbete som den är avsedd för. Kontrollera inriktningen och fästet för rörliga delar, om det finns trasiga delar, monteringen eller andra förhållanden som kan påverka användningen av dammsugaren. Ett skydd eller annan del som är skadad ska repareras ordentligt eller bytas ut av ett auktoriserat servicecenter om inte något annat anges i denna bruksanvisning. Låt ett auktoriserat servicecenter byta ut trasiga strömbrytare. Använd inte dammsugaren om strömbrytaren inte sätter på eller stänger av den.
 - RESERVDELAR.** Vid service ska endast identiska reservdelar användas.
 - FÖRVARA DAMMSUGARE SOM INTE ANVÄNDS.** Dammsugaren ska förvaras inomhus när den inte används.
 - Ta hand om din dammsugare. Hård hantering kan orsaka skada även på den mest robust byggda dammsugaren.
 - Försök inte att rengöra utsidan eller insidan med bensin, thinner eller rengörande kemikalier. Det kan orsaka sprickor och missfärgning.
 - Använd inte dammsugaren i ett slutet rum där lättantändliga, explosiva eller giftiga ångor avges från oljebaserad färg, thinner, bensin, malbehandlingsmedel osv., eller i områden där lättantändligt damm finns.
 - Använd inte dammsugaren under påverkan av droger eller alkohol.
 - Som en grundläggande säkerhetsregel ska korgglasögon eller skyddsglasögon med sidoskydd användas.
 - Använd en dammask under dammiga förhållanden.
 - Denna maskin är inte avsedd för användning av personer med nedsatta fysiska, sensoriska eller mentala förmågor, eller som inte har nog med erfarenhet eller kunskap.
 - Barn skall övervakas så att de inte leker med dammsugaren.
 - Hantera aldrig batterier eller dammsugaren med blöta händer.
 - Var mycket försiktig vid rengöring av trappor.
 - Använd inte dammsugaren som sittplats eller arbetsbänk. Maskinen kan ramlas omkull och orsaka personskada.
- Service**
- Lämna maskinen till en auktoriserad verkstad för service och underhåll med originalreservdelar. Detta garanterar fortsatt säker användning av maskinen.
 - Följ instruktionerna för smörjning och byte av tillbehör.
 - Håll handtagen torra, rena och fria från olja och smuts.

Viktiga säkerhetsanvisningar för batterikassetten

- Innan batterikassetten används ska alla instruktioner och varningsmärken på (1) batteriladdaren, (2) batteriet och (3) produkten läsas.
- Montera inte isär batterikassetten.

3. Om drifttiden blivit avsevärt kortare ska användningen avbrytas omedelbart. Det kan uppstå överhettning, brännskador och t o m en explosion.
4. Om du får elektrolyt i ögonen ska de sköljas med rent vatten och läkare uppsöks omedelbart. Det finns risk för att synen förloras.
5. Kortslut inte batterikassetten.
 - (1) Rör inte vid polerna med något strömförande material.
 - (2) Undvik att förvara batterikassetten tillsammans med andra metallobjekt som t.ex. spikar, mynt o.s.v.
 - (3) Skydda batteriet mot vatten och regn. En batterikortslutning kan orsaka ett stort strömlöde, överhettning, brand och maskinhaveri.
6. Förvara inte maskinen och batterikassetten på platser där temperaturen kan nå eller överstiga 50 °C.
7. Bränn inte upp batterikassetten även om den är svårt skadad eller helt utsliten. Batterikassetten kan explodera i öppen eld.
8. Var försiktig så att du inte råkar tappa batteriet och utsätt det inte för stötar.
9. Använd inte ett skadat batteri.
10. De medföljande litiumjonbatterierna är föremål för kraven i gällande lagstiftning för farligt gods.

För kommersiella transporter (av t.ex. tredje parter som speditorsfirmor) måste de särskilda transportkrav som anges på emballaget och etiketter iakttas.

För att förbereda den produkt som ska avsändas krävs att du konsulterar en expert på riskmaterial. Var också uppmärksam på att det i ditt land kan finnas ytterligare föreskrifter att följa.

Tejpa över eller maskera blottade kontakter och packa batteriet på sådant sätt att det inte kan röra sig fritt i förpackningen.
11. Följ lokala föreskrifter beträffande avfallshandling av batteriet.

SPARA DESSA ANVISNINGAR.

⚠ FÖRSIKTIGT: Använda endast äkta Makita-batterier. Användning av oäkta Makita-batterier eller batterier som har manipulerats kan leda till person- och utrustningsskador eller till att batteriet fattar eld. Det upphäver också Makitas garanti för verktyget och laddaren.

Tips för att uppnå batteriets maximala livslängd

1. Ladda batterikassetten innan den är helt urladdad. Stanna alltid maskinen och ladda batterikassetten när du märker att maskinen blir svagare.
2. Ladda aldrig en fulladdad batterikassett. Överladdning förkortar batteriets livslängd.
3. Ladda batterikassetten vid en rumstemperatur på 10 °C - 40 °C. Låt en varm batterikassett svalna innan den laddas.
4. Ladda batterikassetten om du inte har använt den på länge (mer än sex månader).

FUNKTIONSBESKRIVNING

⚠ FÖRSIKTIGT: Se alltid till att maskinen är avstängd och batterikassetten borttagen innan du justerar maskinen eller kontrollerar dess funktioner.

Montera eller demontera batterikassetten

⚠ FÖRSIKTIGT: Stäng alltid av maskinen innan du monterar eller tar bort batterikassetten.

⚠ FÖRSIKTIGT: Håll stadigt i maskinen och batterikassetten när du monterar eller tar bort batterikassetten. I annat fall kan det leda till att de glider ur dina händer och orsakar skada på maskinen och batterikassetten samt personskada.

► Fig.1: 1. Röd indikator 2. Knapp 3. Batterikassett

Ta bort batterikassetten genom att skjuta ner knappen på kassetts framsida samtidigt som du drar ut batterikassetten.

Sätt i batterikassetten genom att rikta in tungan på batterikassetten mot spåret i höljets och skjut den på plats. Tryck in batterikassetten ordentligt tills den låser fast med ett klick. Om du kan se den röda indikatorn på knappens ovansida är den inte låst ordentligt.

⚠ FÖRSIKTIGT: Sätt alltid i batterikassetten helt tills den röda indikatorn inte längre syns. I annat fall kan den oväntat falla ur maskinen och skada dig eller någon annan.

⚠ FÖRSIKTIGT: Montera inte batterikassetten med våld. Om kassetten inte lätt glider på plats är den felinsatt.

Skyddssystem för maskinen/batteriet

Maskinen är utrustad med ett skyddssystem för maskinen-/batteriet. Detta system bryter automatiskt strömmen till motorn för att förlänga maskinens och batteriets livslängd. Maskinen stoppar automatiskt under användningen om maskinen eller batteriet hamnar i en av följande situationer. Indikatorerna tänds i vissa situationer.

Överbelastningsskydd

Om maskinen används på ett sätt som gör att den drar onormalt mycket ström kan den stoppas automatiskt utan någon varning. När detta sker stänger du av maskinen och upphör med arbetet som gjorde att maskinen överbelastades. Starta därefter upp maskinen igen.

Överhettningsskydd

När maskinen överhettas stoppar den automatiskt. Låt maskinen svalna innan du startar den igen.

Överurladdningsskydd

När batteriets kapacitet är låg stoppar maskinen automatiskt. Om produkten inte fungerar trots att knapparna fungerar som de ska tar du bort batterierna från maskinen och laddar dem.

Indikerar kvarvarande batterikapacitet

Endast för batterikassetter med indikator

► **Fig.2:** 1. Indikatorlampor 2. Kontrollknapp

Tryck på kontrollknappen på batterikassetten för att se kvarvarande batterikapacitet. Indikatorlamporna lyser i ett par sekunder.

Indikatorlampor			Kvarvarande kapacitet
Upplyst	Av	Blinkar	
■	□	▬	
■ ■ ■ ■			75% till 100%
■ ■ ■ □			50% till 75%
■ ■ □ □			25% till 50%
■ □ □ □			0% till 25%
▬ □ □ □			Ladda batteriet.
■ ■ □ □			Batteriet kan ha skadats.
□ □ ■ ■			

OBS: Beroende på användningsförhållanden och den omgivande temperaturen kan indikationen skilja sig lätt från den faktiska batterikapaciteten.

Knappdosans position

Knappdosan kan hakas fast på båda sidor av det nedre bältet. Justera kabeln så att knappdosan är på önskad sida. För kabeln genom kroken enligt bilden för att förhindra att kabeln skadas.

► **Fig.3:** 1. Krok 2. Kabel

Justera bälten

Stramheten hos axelremmarna och de övre och nedre bältena kan justeras. För armarna genom axelremmarna först och fäst sedan de övre och nedre bältena. Dra i remmen enligt bilden för att dra åt. Lyft änden på plastlåset för att lossa.

Axelremmar

► **Fig.4:** 1. Rem 2. Plastlås

Övre bälte

► **Fig.5:** 1. Rem 2. Plastlås

Nedre bälte

► **Fig.6:** 1. Rem 2. Plastlås

Bärkrok

Håll alltid i bärkroken när du hanterar dammsugarkroppen.

► **Fig.7:** 1. Bärkrok

Förlängningsrör

Endast för dammsugartyp

Det går att justera längden på röret. Lossa ringen på röret och justera längden. Dra åt ringen vid önskad längd.

► **Fig.8:** 1. Ring

Avtryckarens funktion

Tryck på knappen (2) en gång för att börja dammsuga. Dammsugaren startar med högre sugkraft (2). Om du vill minska sugkraften trycker du på knappen (2) en gång till. Dammsugaren körs på normal sugkraft (1). Om du trycker på knappen när dammsugaren är igång växlas sugkraften mellan hög och normal. Tryck på knappen (0) för att stänga av dammsugaren.

► **Fig.9**

LED-lampa

LED-lampan är placerad högst upp på knappdosan för att underlätta användning på mörka platser. Tryck på knappen (LED) för att tända lampan. Tryck på knappen (LED) igen för att släcka lampan.

► **Fig.10**

⚠ FÖRSIKTIGT: Titta inte in i ljuset eller direkt in i ljuskällan. Rikta aldrig ljuset mot andra människors ögon.

OBS: LED-lampan släcks automatiskt när dammsugaren inte används på över 10 minuter.

OBS: Om dammsugaren överhettas på grund av minskat luftflöde genom maskinen som uppstått på grund av att slangen, röret eller filtret är tilltäppt eller av någon annan anledning, stängs dammsugaren automatiskt av och LED-lampan börjar blinka.

Slangklämman

Slangklämman kan användas till att hålla röret eller munstycket.

För slangklämman genom skåran på dammsugarkroppen för att fästa röret till kroppen. Det går att fästa slangklämman på båda sidor.

► **Fig.11:** 1. Slangklämman 2. Skåra 3. Förlängningsrör

För slangklämman genom ögla på det nedre bältet för att fästa munstycket på bältet.

► **Fig.12:** 1. Slangklämman 2. Fritt munstycke

Slangkrok

Endast för dammsugartyp

När du avbryter användningen kan kroken på slangen användas till att hänga röret på den nedre bältet.

► **Fig.13**

MONTERING

⚠ FÖRSIKTIGT: Se alltid till att maskinen är avstängd och batterikassetten borttagen innan du underhåller maskinen.

Montera slang

För in slanghylsan i dammsugarkroppen och vrid den medurs.

► **Fig.14:** 1. Slanghylsa 2. Dammsugarkropp

Montera rör och munstycke

Endast för dammsugartyp

Koppla ihop munstycket med förlängningsröret. Ta sedan på dig dammsugarkroppen och koppla ihop slangen med förlängningsröret.

Koppla ihop förlängningsrör med munstycke

► **Fig.15:** 1. Förlängningsrör 2. Fritt munstycke 3. Golvmunstycke

Koppla ihop slang och förlängningsrör

► **Fig.16:** 1. Slang 2. Förlängningsrör 3. Fritt munstycke

OBS: Det fria munstycket kan fästas direkt på slangen.

Ansluta verktyget

Endast för dammuppsugningstyp

Anslut den främre kopplingen på slangen med verktygets uppsugningsutlopp.

► **Fig.17:** 1. Främre koppling 2. Uppsugningsutlopp

Använd alltid en lämplig främre koppling. Den främre kopplingen kan kopplas loss genom att vrida den moturs samtidigt som du håller i slangen. Vid anslutning måste du se till att den främre kopplingen är säkert fastskruvad i slangen.

► **Fig.18:** 1. Slang 2. Främre koppling

När den främre kopplingen 24 används ska den föras in i den främre kopplingen 22 som är ansluten till slangen.

► **Fig.19:** 1. Främre koppling 2 2. Främre koppling 24

Sätta in filterpåse

⚠ FÖRSIKTIGT: Använd inte en skadad filterpåse. Använd alltid dammsugaren med filterpåsen korrekt isatt. I annat fall kan det hända att det uppsugna dammet eller partiklar avges från dammsugaren, vilket kan leda till luftvägssjukdomar hos användaren.

OBSERVERA: När filterpåsen är full ska den bytas ut mot en ny. Fortsatt användning med full filterpåsen leder till minskad sugkraft.

1. Lås upp spärren genom att lyfta den nedre sidan. Tryck på den spårade biten för att lyfta den främre spärrensida. Dra i spärren för att öppna luckan.

► **Fig.20:** 1. Krok 2. Lucka

2. För in filterpåsen i springan på den övre sidan enligt bilden.

► **Fig.21:** 1. Springa 2. Filterpåse/damppåse

När du använder damppåse (extra tillbehör) för du in damppåsens kant i springan.

► **Fig.22:** 1. Springa 2. Kant

3. Rikta in hålet på filterpåsen mot slanghylsan och tryck på kartongbiten så långt det går. Se till att gummiringen på filterpåsen går över kanten på slanghylsan.

► **Fig.23:** 1. Gummiring på filterpåsen 2. Kanten på slanghylsan 3. Kartongbit på filterpåsen 4. Slanghylsa

ANVÄNDNING

⚠ VARNING: Användare måste ha tillräcklig kunskap om hur denna dammsugare fungerar.

⚠ VARNING: Denna dammsugare är inte lämplig att suga upp farligt damm med.




⚠ FÖRSIKTIGT: Denna dammsugare är endast avsedd för torrsugning.

⚠ FÖRSIKTIGT: Denna dammsugare är endast till för inomhusanvändning.

⚠ FÖRSIKTIGT: Skjut alltid in batterikassetten ordentligt tills den låses på plats. Om du kan se den röda indikatorn på knappens ovansida är den inte låst ordentligt. Skjut in den helt tills den röda indikatorn inte syns längre. I annat fall kan batterikassetten plötsligt lossna från maskinen och skada dig eller någon annan.

1. Ta på dig dammsugarkroppen och fäst de övre och nedre bältena. Justera stramheten efter behov.

► **Fig.24**

2. Tryck på knappen  för att börja dammsuga. Om du vill minska sugkraften trycker du på knappen  en gång till. Tryck på knappen  för att stoppa.

► **Fig.25**

Under användning hakar du fast knappdosan på det nedre bältet. Kroken kan vinklas så att lampan riktas framåt.

► **Fig.26**

OBS: Om dammsugaren överhettas på grund av minskat luftflöde genom maskinen som uppstått på grund av att slangen, röret eller filtret är tilltäppt eller av någon annan anledning, stängs dammsugaren automatiskt av och LED-lampan börjar blinka. I sådant fall tar du bort orsaken till problemet och låter dammsugaren svalna innan du återupptar användningen.

3. Byt ut filterpåsen när den är full. Öppna luckan och ta ut filterpåsen. Dra i remsan på sidan av öppningen för att stänga filterpåsen och kassera hela filterpåsen.

► **Fig.27:** 1. Remsa

Om du använder en dammpåse (extra tillbehör) tar du ut dammpåsen och kastar dammet genom att frigöra sären.

► **Fig.28:** 1. Spärr

OBSERVERA: Kontrollera med jämna mellanrum om filterpåsen är full. Fortsatt användning med full filterpåsen leder till minskad sugkraft.

OBSERVERA: Använd inte en använd filterpåse. Filterpåsen är avsedd för engångsbruk. Om du vill använda påsen flera gånger ska du använda en dammpåse (extra tillbehör).

UNDERHÅLL

⚠FÖRSIKTIGT: Se alltid till att maskinen är avstängd och batterikassetten borttagen innan inspektion eller underhåll utförs.

OBSERVERA: Använd inte bensin, förtunningsmedel, alkohol eller liknande. Missfärgning, deformation eller sprickor kan uppstå.

Rengöra filtret

⚠FÖRSIKTIGT: Använd inte dammsugaren utan ett filter eller med ett smutsigt eller skadat filter. Det uppsugna dammet eller partiklar kan avges från dammsugaren, vilket kan leda till luftvägssjukdomar hos användaren.

OBSERVERA: Rengör filtret med jämna mellanrum för att upprätthålla optimal sugkraft och ren utströmning. Om dammsugaren inte uppnår tillräcklig sugkraft även efter rengöring ska filtret bytas ut mot ett nytt.

OBSERVERA: Använd inte en luftblåsare eller högtryckstvätt för rengöring, då detta kan skada filtret.

1. Öppna luckan och ta ut filterpåsen. Frigör kroken på filtret och ta ut det ur dammsugarkroppen.

► **Fig.29**

2. Slå bort dammet från filtret. Filtret kan tvättas med vatten. Skölj bort damm och partiklar från filtret varje eller varannan månad. Efter det låter du filtret torka helt i en skuggad och välventilerad plats för att förhindra obehagliga dofter eller funktionsfel.

3. Montera filtret genom att föra in sidan utan klaff i hållaren och skjut sedan filtret nedåt tills klaffen hålls på plats av skenan.

► **Fig.30:** 1. Hållare 2. Filter 3. Skena 4. Klaff

Rengöring av dammpåsen

Rengör dammpåsen regelbundet med tvål och vatten. Vänd dammpåsen in och ut och ta bort det klabbiga dammet. Tvätta lätt för hand och skölj noga med vatten. Låt torka helt innan du sätter i dammpåsen i dammsugaren igen.

► **Fig.31**

OBSERVERA: En dammpåse som är våt minskar dammsugarens effekt och förkortar motorns livslängd.

För att upprätthålla produktens SÄKERHET och TILLFÖRLITLIGHET bör allt underhålls- och justeringsarbete utföras av ett auktoriserat Makita servicecenter och med reservdelar från Makita.

VALFRIA TILLBEHÖR

⚠FÖRSIKTIGT: Följande tillbehör eller tillsatser rekommenderas för användning med den Makita-maskin som denna bruksanvisning avser. Om andra tillbehör eller tillsatser används kan det uppstå risk för personskador. Använd endast tillbehören eller tillsatserna för de syften de är avsedda för.

Kontakta ditt lokala Makita servicecenter om du behöver ytterligare information om dessa tillbehör.

- Slang (för dammsugartyp)
- Slang (för dammuppsamlingstyp)
- Förlängningsrör
- Fritt munstycke
- Golvmunstycke
- Mattmunstycke
- Hyllborste
- Rund borste
- Filterpåse
- Dammpåse
- Främre koppling
- Filter
- Makitas originalbatteri och -laddare

OBS: Några av tillbehören i listan kan vara inkluderade i maskinpaketet som standardtillbehör. De kan variera mellan olika länder.

TEKNISKE DATA

Modell:		DVC260
Kapasitet	Filterpose	2,0 L
	Støvpose	1,5 L
Maksimalt luftvolum		1,5 m ³ / min
Mål (L x W x H) (Uten seletøyet)		230 mm x 152 mm x 373 mm
Nominell spenning		DC 36 V
Standard batteriinnsett		BL1815N, BL1820, BL1820B BL1830, BL1830B, BL1840, BL1840B, BL1850, BL1850B, BL1860B
Nettovekt (støvsugertype)		3,8 kg 4,3 kg

- På grunn av vårt kontinuerlige forsknings- og utviklingsprogram kan spesifikasjonene som oppgis i dette dokumentet endres uten varsel.
- Spesifikasjoner og batteriinnsett kan variere fra land til land.
- Vekt, med batteriinnsett, i henhold til EPTA-prosedyre 01/2003

Symboler

Nedenfor ser du symbolene som brukes for dette utstyret. Forviss deg om at du forstår hva de betyr, før du begynner å bruke maskinen.



Les bruksanvisningen.



Kun for land i EU
Kast aldri elektroutstyr eller batteripakker i husholdningsavfallet! I henhold til EU-direktivene om kasserte elektriske og elektroniske produkter og om batterier og akkumulatører og brukte batterier og direktivenes iverksetting i nasjonal rett, må elektriske produkter og batterier og batteripakker som ikke lenger skal brukes, samles separat og returneres til et miljøvennlig gjenvinningsanlegg.

Riktig bruk

Denne maskinen er laget for å samle opp tørt støv. Maskinen er egnet for kommersiell bruk, f.eks. på hoteller, sykehus, kontorer, fabrikker, butikker, og i utleievirksomhet.

Støy

Typisk A-vektet lydtryknivå er bestemt i henhold til 60332-2-69, 60704-2-1:

Lydtryknivå (L_{pA}): 70 dB (A) eller mindre

Usikkerhet (K): 2,5 dB (A)

Støynivået under arbeid kan overskride 80 dB (A).

ADVARSEL: Bruk hørselsvern.

Vibrasjoner

Den totale vibrasjonsverdien (triaksial vektorsum) bestemt i henhold 60335-2-69:

Arbeidsmodus: Skjærefølger

Genererte vibrasjoner (a_h): 2,5 m/s² eller mindre

Usikkerhet (K): 1,5 m/s²

MERK: Den angitte verdien for de genererte vibrasjonene er målt i samsvar med standardtestmetoden og kan brukes til å sammenlikne et verktøy med et annet.

MERK: Den angitte verdien for de genererte vibrasjonene kan også brukes til en foreløpig vurdering av eksponeringen.

ADVARSEL: De genererte vibrasjonene ved faktisk bruk av elektroverktøyet kan avvike fra den angitte vibrasjonsverdien, avhengig av hvordan verktøyet brukes.

ADVARSEL: Sørg for å identifisere vernetiltak for å beskytte operatøren, som er basert på et estimat av eksponeringen under de faktiske bruksforholdene (idet det tas hensyn til alle deler av driftssyklusen, dvs. hvor lenge verktøyet er slått av, hvor lenge det går på tomgang og hvor lenge startbryteren faktisk holdes trykket).

EF-samsvarserklæring

Gjelder kun for land i Europa

Makita erklærer at følgende maskin(er):

Maskinens bruksområde: Trådløs ryggsekk-støvsuger

Modellnr./type: DVC260

Samsvarer med følgende europeiske direktiver:

2006/42/EC

De er produsert i henhold til følgende standarder eller standardiserte dokumenter: EN60335

Den tekniske filen i samsvar med 2006/42/EC er tilgjengelig fra:

Makita, Jan-Baptist Vinkstraat 2, 3070, Belgia



Yasushi Fukaya
Direktør
Makita, Jan-Baptist Vinkstraat 2, 3070, Belgia

SIKKERHETSADVARSEL

Sikkerhetsadvarsler for trådløs støvsuger

⚠ ADVARSEL: VIKTIG. LES NØYE alle sikkerhetsadvarsler og instruksjoner **FØR BRUK**. Hvis du ikke følger alle advarslene og instruksjonene som er oppført nedenfor, kan det føre til elektriske støt, brann og/eller alvorlige helseskader.

1. Støvsugeren skal kun benyttes av personer som har fått tilstrekkelig opplæring i hvordan den skal brukes.
2. Ikke bruk støvsugeren uten filter. Hvis filteret er skadet, må det skiftes ut umiddelbart.
3. Ikke bruk støvsugeren på brennbart materiale, fyrverkeri, tente sigaretter, varm aske, varmt metallspion eller skarpe materialer som f.eks. barberblader, nåler, knust glass eller lignende.
4. **ALDRI BRUK STØVSUGEREN I NÆRHETEN AV BENSIN, GASS, MALING, LIM ELLER ANDRE HØYEKSPLOSIVE STOFFER.** Bryteren slår gnister når den slås PÅ og AV. Det samme gjør kommutatormotoren når den er i bruk. Dette kan forårsake farlig eksplosjon.
5. Bruk aldri støvsugeren på giftige, kreftfremkallende, brennbare eller andre farlige materialer som f.eks. asbest, arsen, barium, beryllium, bly, skadedyrsmidler eller andre helseskadelige stoffer.
6. Bruk aldri støvsugeren utendørs i regnvær.
7. Ikke bruk støvsugeren nær varmekilder (for eksempel ovner).
8. Ikke blokker ventilasjonsåpningene. Disse åpningene er der for å kjøle motoren. Hvis ventilasjonsåpningene tilstoppes, vil motoren bli overopphetet.
9. Pass alltid på at du holder balansen og har godt fotfeste.
10. Ikke brett, rykk i eller trakk på slangen.
11. Slå av støvsugeren umiddelbart hvis den oppfører seg unormalt (f.eks. hvis effekten er svak).
12. **KOBLE FRA BATTERIENE.** Støvsugeren skal være frakoblet når den ikke er i bruk, før utføring av service-/reparasjonsarbeid og ved bytte av tilbehør.
13. For å holde støvsugeren i tipp topp stand er det viktig at du rengjør og vedlikeholder den etter hver bruk.
14. **VÆR NØYE MED VEDLIKEHOLDDET.** Rengjør støvsugeren for å holde den i sikker og god stand. Følg instruksjonene for bytte av tilbehør. Hold håndtakene tørre, rene og fri for olje og smørefett.
15. **KONTROLLER SKADDE DELER.** Før videre bruk av støvsugeren må du foreta en grundig sjekk av ev. skadde deler, som f.eks. vern eller lignende, for å fastslå om de vil fungere som de skal. Kontroller at bevegelige deler beveger seg riktig i forhold til hverandre, at bevegelige deler kan bevege seg fritt, om noen deler er brukket, om monteringen er som den skal, eller om andre forhold kan påvirke hvordan støvsugeren vil fungere. Vern eller andre skadede deler må repareres eller skiftes ut hos et autorisert servicesenter, med mindre noe annet er angitt i denne bruksanvisningen. Sørg for at defekte brytere skiftes ut hos et autorisert servicesenter. Ikke bruk støvsugeren hvis AV/PÅ-bryteren er defekt.
16. **RESERVEDELER.** Ved utføring av vedlikeholdsarbeid, skal det kun brukes identiske reservedeler.
17. **OPPBEVARING.** Støvsugeren oppbevares innendørs, når den ikke er i bruk.
18. **Vær forsiktig når du håndterer støvsugeren.** Hardhendt og uforsiktig håndtering kan forårsake skader på støvsugeren.
19. Ikke bruk bensin, tynningsmidler eller kjemiske rengjøringsmidler for å rengjøre støvsugeren innvendig eller utvendig. Dette kan forårsake sprekker og misfarging.
20. Ikke bruk støvsugeren i områder med brennbart støv, eller i lukkede rom hvor oljebasert maling, malingstynner, bensin, møllmidler eller lignende avgir brennbar, eksplosiv eller giftig damp.
21. Ikke bruk støvsugeren hvis du er under påvirkning av alkohol eller narkotiske stoffer.
22. Alltid bruk vernebriller eller briller med sidebeskyttelse.
23. Bruk støvmaske hvis det er mye støv der du jobber.
24. Denne maskinen skal ikke brukes av personer med reduserte fysiske, sensoriske eller mentale evner, eller personer som mangler erfaring og kunnskap.
25. Små barn bør passes på, for å sikre at de ikke leker med støvsugeren.
26. Håndter aldri batteriene og støvsugeren mens du er våt på hendene.
27. **Vær svært forsiktig når du bruker støvsugeren i trapper.**
28. Ikke bruk støvsugeren som en krakk eller arbeidsbenk. Den kan falle ned, noe som kan føre til personskade.

Service

1. La en kvalifisert reparatør utføre service på det elektriske verktøyet ditt, og se til at vedkommende kun bruker originale reservedeler. Dette vil opprettholde sikkerheten til det elektriske verktøyet.
2. Følg instruksjonene for smøring og skifting av tilbehør.
3. Hold håndtakene tørre, rene og fri for olje og smørefett.

Viktige sikkerhetsanvisninger for batteriinnsetts

1. Før du begynner å bruke batteriet, må du lese alle anvisninger og forsiktighetsregler på (1) batteriladeren, (2) batteriet og (3) det produktet batteriet skal brukes i.
2. Ikke ta fra hverandre batteriet.
3. Hvis driftstiden er blitt vesentlig kortere, må du omgående slutte å bruke maskinen. Hvis ikke kan resultatet bli overoppheting, mulige forbrenninger eller til og med en eksplosjon.
4. Hvis du får elektrolytt i øynene, må du skylle dem med store mengder rennende vann og oppsøke lege med én gang. Denne typen uhell kan føre til varig blindhet.
5. Ikke kortslett batteriet:
 - (1) De kan være ekstremt varme og du kan brenne deg.
 - (2) Ikke lagre batteriet i samme beholder som andre metallgjenstander, som for eksempel spiker, mynter osv.
 - (3) Ikke la batteriet komme i kontakt med vann eller regn.En kortslutning av batteriet kan føre til et kraftig strømstøt, overoppvarming, mulige forbrenninger og til og med til at batteriet går i stykker.
6. Ikke lagre maskinen og batteriet på steder hvor temperaturen kan komme opp i eller overskride 50 °C.
7. Ikke sett fyr på batteriet, ikke engang om det er sterkt skadet eller helt utslitt. Batteriet kan eksplodere hvis det begynner å brenne.
8. Vær forsiktig så du ikke mister batteriet eller utsetter det for slag.
9. Ikke bruk batterier som er skadet.
10. **Lithium-ion-batteriene som medfølger er gjenstand for krav om spesialavfall.**
For kommersiell transport, f.eks av tredjeparter eller speditorer, må spesielle krav om pakking og merking følges.
Før varen blir sendt, må du forhøre deg med en ekspert på farlig materiale. Ta også hensyn til muligheten for mer detaljerte nasjonale bestemmelser.
Bruk teip eller maskeringsteip for å skjule åpne kontakter og pakk inn batteriet på en slik måte at den ikke kan bevege seg rundt i emballasjen.
11. **Følg lokale bestemmelser for avhending av batterier.**

TA VARE PÅ DISSE INSTRUKSENE.

⚠FORSIKTIG: Bruk kun originale Makita-batterier. Bruk av batterier som har endret seg, eller som ikke er originale Makita-batterier, kan føre til at batteriet sprekker og forårsaker brann, personskader og andre skader. Det vil også ugyldiggjøre garantien for Makita-verktøyet og -laderen.

Tips for å opprettholde maksimal batterilevetid

1. Lad batteriinnsettsen før den er helt utladet. Stopp alltid driften av verktøyet og lad batteriinnsettsen når du merker at effekten reduseres.
2. Lad aldri en batteriinnsetts som er fulladet. Overopplading forkorter batteriets levetid.
3. Lad batteriet i romtemperatur ved 10 °C - 40 °C. Et varmt batteri må kjøles ned før lading.
4. Lad batteriet hvis det ikke har vært brukt på en lang stund (over seks måneder).

FUNKSJONSBEKRIVELSE

⚠FORSIKTIG: Forviss deg alltid om at maskinen er slått av og batteriet tatt ut før du justerer maskinen eller kontrollerer dens mekaniske funksjoner.

Sette inn eller ta ut batteri

⚠FORSIKTIG: Slå alltid av verktøyet før du setter inn eller fjerner batteriet.

⚠FORSIKTIG: Hold verktøyet og batteripatronen i et fast grep når du monterer eller fjerner batteripatronen. Hvis du ikke holder verktøyet og batteripatronen godt fast, kan du miste grepet, og dette kan føre til skader på verktøyet og batteripatronen samt personskader.

► **Fig.1:** 1. Rød indikator 2. Knapp 3. Batteriinnsetts

For å ta ut batteriet må du skyve på knappen foran på batteriet og trekke det ut.

Når du skal sette inn batteriet, må du plassere tungen på batteriet på linje med sporet i huset og skyve batteriet på plass. Skyv det helt inn til det går i inngrep med et lite klikk. Hvis du kan se den røde anviseren på oversiden av knappen, er det ikke fullstendig låst.

⚠FORSIKTIG: Batteriet må alltid settes helt inn, så langt at den røde anviseren ikke lenger er synlig. Hvis dette ikke gjøres, kan batteriet komme til å falle ut av maskinen og skade deg eller andre som oppholder seg i nærheten.

⚠FORSIKTIG: Ikke bruk makt når du setter i batteriet. Hvis batteriet ikke glir lett inn, er det fordi det ikke settes inn på riktig måte.

Batterivernssystem for verktøy/batteri

Verktøyet er utstyrt med et batterivernssystem for verktøy/batteri. Dette systemet slår automatisk av strømmen til motoren for å forlenge verktøyets og batteriets levetid. Verktøyet stopper automatisk under drift hvis verktøyet eller batteriet utsettes for en av følgende tilstander. Indikatorene lyser i noen tilfeller.

Overlastsikring

Når verktøyet brukes på en måte som gjør at det bruker unormalt mye strøm, vil verktøyet stoppe, helt automatisk og uten forvarsel. I dette tilfellet må du slå av verktøyet og avslutte bruken som forårsaket at verktøyet ble overbelastet. Slå deretter verktøyet på for å starte det igjen.

Overopphetingsvern

Når verktøyet er overopphetet, stopper verktøyet automatisk. La verktøyet kjøle seg ned før du slår på verktøyet igjen.

Overutladningsvern










Når det blir lite batteri igjen, stopper verktøyet automatisk. Hvis produktet ikke går selv om bryterne aktiveres, må du ta batteriene ut av verktøyet og lade batteriene.

Indikere gjenværende batterikapasitet

Kun for batterier med indikatoren

► Fig.2: 1. Indikatorlamper 2. Kontrollknapp

Trykk på sjekk-knappen på batteriet for vise gjenværende batterikapasitet. Indikatorlampene lyser i et par sekunder.

Indikatorlamper			Gjenværende batterinivå
Tent	Av	Blinker	
			
			75 % til 100 %
			50 % til 75 %
			25 % til 50 %
			0 % til 25 %
			Lad batteriet.
			Batteriet kan ha en feil.

MERK: Det angitte nivået kan avvike noe fra den faktiske kapasiteten alt etter bruksforholdene og den omgivende temperaturen.

Stillingen til bryterboksen

Bryterboksen kan festes på begge sider av underbåndet. Ordne ledningen slik at bryterboksen kommer på ønsket side. For å hindre skade på ledningen må du trekke den gjennom kroken, som vist.

► Fig.3: 1. Krok 2. Ledning

Justeringsbelter

Du kan justere hvor stramme skulderbeltene og over- og underbeltene skal være. Etter å ha puttet armene gjennom skulderbeltene kan du feste over- og underbeltene. For å feste må du dra i enden av reimen, som vist. For å løsne må du trekke opp spennen.

Skulderbelter

► Fig.4: 1. Stropp 2. Festemekanisme

Overbånd

► Fig.5: 1. Stropp 2. Festemekanisme

Underbånd

► Fig.6: 1. Stropp 2. Festemekanisme

Bærekrok

Hold alltid i bærekroken når du bruker støvsugeren.

► Fig.7: 1. Bærekrok

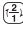


Ekspansjonsstav

Kun for støvsugertype

Du kan justere lengden på staven. Løsne ringen på staven for å justere lengden. Fest ringen når du har oppnådd ønsket lengde.

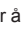

► Fig.8: 1. Ring

Bryterfunksjon

For å starte støvsugingen, trykker du på -knappen én gang. Støvsugeren vil starte på høy sugeseffekt (2). Dersom du ønsker å senke sugeseffekten, kan du trykke en gang til på -knappen. Støvsugeren vil da kjøre med normal sugeseffekt (1). Hvis du trykker på knappen mens støvsugeren er i gang, vil du veksle mellom høy og normal sugeseffekt. For å slå av støvsugeren, må du trykke på -knappen.

► Fig.9

LED-lys

LED-lys er plassert på toppen av bryterboksen, for å gjøre det enklere å nå mørke kroer. Trykk på -knappen for å slå på lyset. For å slå av trykker du en gang til på -knappen.

► Fig.10

⚠FORSIKTIG: Ikke se inn i lyset eller se direkte på lyskilden. Rett aldri lyset mot andres øyne.

MERK: LED-lyset slås av automatisk hvis støvsugeren er ubrukt i over 10 minutter.

MERK: Støvsugeren slås av automatisk, og LED-lyset blinker dersom støvsugeren blir overopphetet på grunn av redusert lufttilstrømning gjennom blokkert slange, rør, filter, eller av andre grunner.

Slangeklemme

Slangeklemmen kan brukes til å holde staven eller for å frigjøre munnstykket.

For å feste staven til støvsugeren må du presse slangeklemmen gjennom åpningen på støvsugeren. Du kan feste slangeklemmen på begge sider.

- **Fig.11:** 1. Slangeklemme 2. Åpning
3. Ekspansjonsstav

For å oppbevare det løse munnstykket på underbåndet, må du plassere slangeklemmen på underbåndet.

- **Fig.12:** 1. Slangeklemme 2. Løst munnstykke

Slangekrok

Kun for støvsugertype

Når du stopper støvsugingen, kan du bruke kroken på slangen for å henge staven på underbeltet.

- **Fig.13**

MONTERING

⚠FORSIKTIG: Forviss deg alltid om at maskinen er slått av og batteriet tatt ut før du utfører noe arbeid på maskinen.

Sette sammen slangen

Sett slangeklaspene på støvsugeren, og skru den med klokken.

- **Fig.14:** 1. Slangeklaspene 2. Støvsugerkroppen

Sette sammen staven og munnstykket

Kun for støvsugertype

Fest munnstykket til ekspansjonsstaven. Deretter legger du støvsugeren på siden, før du fester til slangen med ekspansjonsstaven.

Fest munnstykket til ekspansjonsstaven

- **Fig.15:** 1. Ekspansjonsstav 2. Løst munnstykke
3. T-format munnstykke

Fest slangen til ekspansjonsstaven

- **Fig.16:** 1. Slange 2. Ekspansjonsstav 3. Løst munnstykke

MERK: Det løse munnstykket kan festes direkte på slangen.

Koble til utstyret

Kun for støvavsugstype

Koble frontmansjettene på slangen til utstyrets avsg.

- **Fig.17:** 1. Frontmansjett 2. Avsg

Bruk alltid en egnet frontmansjett. Frontmansjettene kobles fra ved å dreie den mot urviseren mens du holder i slangen. Når du kobler til, må du sørge for at frontmansjettene skrues godt inn i slangen.

- **Fig.18:** 1. Slange 2. Frontmansjett

Når du bruker frontmansjett 24, setter du den inn i frontmansjett 22 som er koblet til slangen.

- **Fig.19:** 1. Frontmansjett 22 2. Frontmansjett 24

Monter filterposen

⚠FORSIKTIG: Ikke bruk filterposen dersom den er skadet. Bruk alltid støvsugeren med filterposen riktig installert. Ellers kan støv og partikler pumpes ut av støvsugeren, og brukeren kan utvikle luftveissykdommer.

OBS: Når filterposen er full må den byttes ut. Ved fortsatt bruk av full filterpose vil sugeeffekten reduseres.

1. Lås opp låsen ved å løfte undersiden. Skyv det riflete området for å løfte låsen på forsiden. Dra i låsen for å åpne lokket.

- **Fig.20:** 1. Krok 2. Løkk

2. Sett inn filterposen i sprekkene på oversiden av rommet, som vist.

- **Fig.21:** 1. Sprekk 2. Filterpose / støvpose

Når du bruker støvposen (valgfritt ekstrastyr), setter du kanten av støvposen inn i sprekkene.

- **Fig.22:** 1. Sprekk 2. Kant

3. Juster hullet i filterposen med slangeklaspene og press pappdelen til enden. Forsikre deg om at gummiringen i filterposen dekker kanten på slangeklaspene.

- **Fig.23:** 1. Gummiringen på filterposen 2. Kanten på slangeklaspene 3. Pappdelen av filterposen 4. Slangeklaspene

BRUK

⚠ADVARSEL: Operatører må få tilstrekkelig opplæring i bruk av støvsugeren.

⚠ADVARSEL: Støvsugeren er ikke egnet for oppsuging av farlig støv.

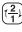
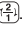

⚠FORSIKTIG: Støvsugeren er bare for tørr bruk.

⚠FORSIKTIG: Støvsugeren skal bare brukes innendørs.

⚠FORSIKTIG: Batteriet må alltid settes helt inn, til det låses på plass. Hvis du kan se den røde anviseren på oversiden av knappen, er det ikke fullstendig låst. Sett batteriet helt inn, så langt at den røde anviseren ikke lenger er synlig. Hvis dette ikke gjøres, kan batteriet falle ut av maskinen og skade deg eller andre som oppholder seg i nærheten.

1. Legg støvsugeren på siden og fest over- og underbeltene. Stram om nødvendig.

- **Fig.24**

2. Trykk på -knappen for å starte støvsugingen. Dersom du ønsker å senke sugesuffekten, kan du trykke en gang til på -knappen. Trykk på -knappen for å slå av støvsugeren.

► Fig.25

Mens du støvsuger, kan du hekte bryterboksen på underbeltet. Du kan hekte den på skrå for å få den til å lyse fremover.

► Fig.26

MERK: Støvsugeren slås av automatisk, og LED-lyset blinker dersom støvsugeren blir overopphetet på grunn av redusert lufttilstrømning gjennom blokkert slange, rør, filter, eller av andre grunner. I dette tilfellet må du fjerne årsaken til problemet og la støvsugeren kjøles ned før du starter på nytt.

3. Tøm filterposen når den er full. Åpne lokket og ta ut filterposen. Dra i remsen på siden av åpningen for å stenge filterposen og kast så hele filterposen.

► Fig.27: 1. Remse

Når du bruker en støvpose (valgfritt tilbehør), tar du ut støvposen og fjerner støvet ved å åpne smekklåsen.

► Fig.28: 1. Smekklåsen

OBS: Sjekk regelmessig om filterposen er full. Ved fortsatt bruk av full filterpose vil sugesuffekten reduseres.

OBS: Ikke bruk filterposen mer enn én gang. Filterposen er laget for engangsbruk. Dersom du ønsker å bruke posen flere ganger, må du bruke en støvpose (valgfritt tilbehør).

VEDLIKEHOLD

⚠FORSIKTIG: Forviss deg alltid om at maskinen er slått av og batteriet tatt ut før du foretar inspeksjon eller vedlikehold.

OBS: Aldri bruk gasolin, bensin, tynner alkohol eller lignende. Det kan føre til misfarging, deformering eller sprekkdannelse.

Rengjøring av filteret

⚠FORSIKTIG: Bruk ikke støvsugeren uten filter eller dersom filteret er skittent eller ødelagt. Støv og partikler kan pumpes ut av støvsugeren, og brukeren kan utvikle luftveis sykdommer.

OBS: For å bevare optimal sugesuffekt og ren avgass må filteret rengjøres regelmessig. Hvis du ikke får god nok sugesuffekt etter å ha rensset filteret, må du bytte det ut med et nytt.

OBS: For å hindre at filteret ødelegges, må du ikke benytte deg av luftspray og/eller høytrykks-spyler for rengjøringen.

1. Åpne lokket og ta ut filterposen. Slipp opp kroken på filteret og ta den ut av støvsugeren.

► Fig.29

2. Bank støvet av filteret. Filteret kan vaskes med vann. Rens vekk støvet og partiklene fra filteret en gang hver måned / annenhver måned. Etterpå lar du filteret tørke helt på et skyggefullt og godt ventilert sted, for å unngå ubehagelig lukt eller funksjonsfeil.

3. For å sette inn filteret setter du siden uten klaff i holderen og skyver filteret nedover til klaffen er sikret med rillen.

► Fig.30: 1. Holder 2. Filter 3. Rille 4. Klaff

Rengjøring av støvposen

Du må rengjøre støvposen regelmessig med vann og såpe. Vend støvposen med innsiden ut og fjern støv som har klistret seg fast. Vask lett for hånd og skyll godt med vann. Den må være helt tørr før du setter den tilbake i støvsugeren.

► Fig.31

OBS: En fuktig støvåpse gjør at sugesuffekten på støvsugeren svekkes, og også levetiden på motoren.

For å opprettholde produktets SIKKERHET og PÅLITELIGHET, må reparasjoner, vedlikehold og justeringer utføres av autoriserte Makita servicesentre eller fabrikk-servicesentre, og det må alltid brukes reservedeler fra Makita.

VALGFRITT TILBEHØR

⚠FORSIKTIG: Det anbefales at du bruker dette tilbehøret eller verktøyet sammen med den Makita-maskinen som er spesifisert i denne håndboken. Bruk av annet tilbehør eller verktøy kan forårsake personskader. Tilbehør og verktøy må kun brukes til det formålet det er beregnet på.

Ta kontakt med ditt lokale Makita-servicesenter hvis du trenger mer informasjon om dette tilbehøret.

- Slange (for støvsugertype)
- Slange (for støvavsugstype)
- Ekspansjonsstav
- Løst munnstykke
- T-format munnstykke
- Teppemunnstykke
- Hyllebørste
- Rund børste
- Filterpose
- Støvpose
- Frontmansjett
- Hovedfilter
- Makita originalbatteri og lader

MERK: Enkelte elementer i listen kan være inkludert som standardtilbehør i verktøypakken. Elementene kan variere fra land til land.

TEKNISET TIEDOT

Malli:		DVC260
Kapasiteetti	Suodatinpussi	2,0 L
	Pölypussi	1,5 L
Suurin ilmatilavuus		1,5 m ³ /min
Mitat (P x L x K) (ilman valjaita)		230 mm x 152 mm x 373 mm
Nimellisjännite		DC 36 V
Vakio akkupaketti		BL1815N, BL1820, BL1820B BL1830, BL1830B, BL1840, BL1840B, BL1850, BL1850B, BL1860B
Nettopaino (Pölynimurityyppi)		3,8 kg 4,3 kg

- Jatkuvasta tutkimus- ja kehitystyöstämme johtuen esitetyt tekniset tiedot saattavat muuttua ilman erillistä ilmoitusta.
- Tekniset tiedot ja akkupaketti voivat vaihdella maittain.
- Paino akkupaketilla, EPTA-menettelyn 01/2003 mukaan

Symbolit

Laitteessa on käytetty seuraavia symboleja. Opettele niiden merkitys ennen käyttöä.



Lue käyttöohje.



Koskee vain EU-maita
Älä hävitä sähkölaitteita tai akkuja tavallisen kotitalousjätteen mukana! Sähkö- ja elektroniikkalaiteromua koskevan EU-direktiivin ja paristoja ja akkuja sekä käytettyjä paristoja ja akkuja koskevan direktiivin ja niiden maakohtaisten sovelusten mukaisesti käytetyt sähkölaitteet ja akkupaketti (-paketit) on toimitettava ongelmajätteen keräyspisteeseen ja ohjattava ympäristöstävälliseen kierrätykseen.

Käyttötarkoitus

Laitte on tarkoitettu kuivan pölyn imuroimiseen. Tämä työkalu sopii kaupalliseen käyttöön esimerkiksi hotelleissa, kouluissa, sairaaloissa, tehtaissa, myymälöissä, toimistoissa tai vuokraamoissa.

Melutaso

Tyypillinen A-painotettu melutaso määräytyy standardin 60332-2-69, 60704-2-1 mukaan:
Äänenpainetaso (L_{pA}): 70 dB (A) tai vähemmän
Virhemarginaali (K): 2,5 dB (A)
Työskentelyn aikana melutaso voi ylittää 80 dB (A).

VAROITUS: Käytä kuulosuojaimia.

Tärinä

Kokonaistärinä (kolmen akselin vektorien summa) määräytyy standardin 60335-2-69 mukaan:

Työtila: levyjen sahaaminen
Tärinäpäästö (a_{rh}): 2,5 m/s² tai alhaisempi
Virhemarginaali (K): 1,5 m/s²

HUOMAA: Ilmoitettu tärinäpäästöarvo on mitattu standarditestausmenetelmän mukaisesti, ja sen avulla voidaan vertailla työkaluja keskenään.

HUOMAA: Ilmoitettua tärinäpäästöarvoa voidaan käyttää myös altistumisen alustavaan arviointiin.

VAROITUS: Työkalun käytön aikana mitattu todellinen tärinäpäästöarvo voi poiketa ilmoitetusta tärinäpäästöarvosta työkalun käyttötavan mukaan.

VAROITUS: Selvitä käyttäjän suojaamiseksi tarvittavat varotoimet todellisissa käyttöolosuhteissa tapahtuvan arvioidun altistumisen mukaisesti (ottaen huomioon käyttöajako kokonaisuudessaan, myös jaksot, joiden aikana työkalu on sammutettuna tai käy tyhjäkäynnillä).

VAKUUTUS EC-VASTAAVUUDESTA

Koskee vain Euroopan maita

Makita ilmoittaa, että seuraava(t) kone(et):
Koneen tunnistetiedot: Akkukäyttöinen selkäreppumuri
Mallinnumero/tyyppi: DVC260
Täyttävät seuraavien eurooppalaisten direktiivien vaatimukset: 2006/42/EC
On valmistettu seuraavien standardien tai standardoitujen asiakirjojen mukaisesti: EN60335
Direktiivin 2006/42/EC mukaiset tekniset tiedot ovat saatavissa seuraavasta osoitteesta:
Makita, Jan-Baptist Vinkstraat 2, 3070, Belgia
8.9.2015

TURVAVAROITUKSET

Akkukäyttöisen pölynimurin turvaohjeet

VAROITUS: LUE HUOLELLISESTI kaikki turvavaroitukset ja käyttöohjeet ENNEN KÄYTTÖÄ. Jos varoitusten ja ohjeiden noudattaminen laiminlyöhdään, seurauksena voi olla sähköisku, tulipalo ja/tai vakava vammautuminen.

1. Varmista, ennen käyttöä, että tämän pölynimurin käyttäjillä on riittävä käyttökoulutus.
2. Älä käytä imuria ilman suodatinta. Vaihda vaurioitunut suodatin välittömästi uuteen.
3. Älä imuroi palavia aineita, ilotuliitteita, palavia savukkeita, kuumaa tuhkaa, kuumia metallilastuja tai teräviä esineitä, kuten partateriä, neuloja, lasinsirpaleita tms.
4. **ÄLÄ KOSKAAN KÄYTÄ IMURIA, JOS LÄHELLÄ ON BENSIINIÄ, KAASUA, MAALIA, LIIMAA TAI MUITA RÄJÄHDYSALTTIITA AINEITA.** Kytkimestä lähtee kipinä, kun se kytketään päälle tai pois päältä. Myös moottorin kommutaattori kipinöi käytön aikana. Seurauksena voi olla vaarallinen räjähdys.
5. Älä koskaan imuroi myrkyllisiä, karsinogeenisiä, syttyviä tai muuten haitallisia aineita, kuten asbestia, arsenikkia, bariumia, berylliumia, lyijyä, hyönteismyrkkyjä tai muita terveydelle vaarallisia aineita.
6. Älä koskaan käytä imuria ulkona sateella.
7. Älä käytä imuria lämmönlähteiden (uunin tms.) läheisyydessä.
8. Älä tuki jäähdytysaukkoja. Moottori jäähdytetään näiden aukkojen kautta. Jäähdytysaukot täyttyy pitää avoimina, sillä muutoin moottori palaa rikki puutteellisen ilmanvaihdon takia.
9. Seiso tukevassa asennossa ja säilytä tasapainosi.
10. Älä taita tai kisko letkua äläkä astu sen päälle.
11. Pysäytä imuri heti, jos se ei toimi täydellä teholla tai toimii muuten epänormaalisti.
12. **IRROTA AKUT.** Kun imuri ei ole käytössä tai kun huollat imuria tai vaihdat sen lisävarusteita.
13. Puhdista ja huolla imuri aina heti käytön jälkeen, jotta se pysyy hyvässä käyttökunnossa.
14. **HUOLLA IMURIA SÄÄNNÖLLESTI.** Pidä imuri puhtaana, jotta sen suorituskyky ja turvallisuus säilyvät. Noudata lisävarusteiden vaihtamista koskevia ohjeita. Pidä kahvat kuivina ja puhtaina öljystä ja rasvasta.

15. **TARKISTA, ONKO IMURISSA VAURIOITA.** Ennen kuin imurin käyttöä jatketaan, on syytä varmistaa, että suojukset tai muut vaurioituneet osat toimivat tarkoituksensa mukaisella tavalla oikein. Varmista, että liikkuvat osat ovat oikeissa asennoissa ja pääsevät liikkumaan esteettä. Tarkasta myös osien eheys, kiinnitykset sekä muut toimitaan mahdollisesti vaikuttavat seikat. Suojus tai muu vaurioitunut osa tulee viedä valtuutettuun huoltooliikkeeseen korjattavaksi tai vaihdettavaksi, jollei tässä käyttöoppaassa muuta mainita. Vaihdata epäkuntoiset kytkimet valtuutetussa huoltooliikkeessä. Älä käytä imuria, jos sitä ei voi kytkeä päälle tai pois päältä virtakytkimellä.
16. **VARAOSAT.** Käytä huoltojen yhteydessä ainoastaan alkuperäisiä osia vastaavia varaosia.
17. **VARASTOI IMURI, KUN SITÄ EI KÄYTETÄ.** Säilytä imuria sisätiloissa, kun sitä ei käytetä.
18. **Käsittele imuria varoen.** Kovakourainen käsittely voi rikkoa vahvatekoisimmankin imurin.
19. Älä käytä imurin ulko- tai sisäpintojen puhdistamiseen bensiiniä, ohenteita tai puhdistusaineita. Ne voivat aiheuttaa halkeamia tai värjäytymiä.
20. Älä käytä imuria suljetuissa tiloissa, jossa säilytetään palavia, räjähtäviä tai myrkyllisiä höyryjä tuottavia aineita, kuten öljypohjaisia maaleja, maaliohenteita, bensiiniä ja tiettyjä koineostoaineita tms. Vältä myös tiloja, joissa on tulenarkaa pölyä.
21. Älä käytä imuria, kun olet lääkkeiden tai alkoholin vaikutuksen alainen.
22. Käytä aina sivusuojilla varustettuja suojalaseja.
23. Irrota kone pistorasiasta ennen terän vaihtamista, huoltotoimia ja kun sitä ei käytetä.
24. Tämä laite ei ole tarkoitettu sellaisten henkilöiden, esimerkiksi lasten, käytettäväksi, joiden fyysiset, sensoriset tai henkiset kyvyt tai kokemuksen tai tiedon puute estävät heitä käyttämästä laitetta turvallisesti.
25. Pieniä lapsia tulee vahtia ja varmistaa, etteivät he leiki imurilla.
26. Älä koskaan käsittele akkuja ja imuria märin käsin.
27. Ole erityisen varovainen portaita siivotessasi.
28. Älä käytä imuria istuimena tai työtasona. Laite voi pudota ja aiheuttaa vammoja.

Huolto

1. Anna pätevä korjaajan huolta sähkötyökalusi käyttäen vain identtisiä varaosia. Näin varmistetaan, että sähkötyökalun turvallisuus säilyy.
2. Noudata voitelu- ja lisävarusteiden vaihto-ohjeita.
3. Pidä kahvat kuivina, puhtaina ja erossa öljystä ja rasvasta.

Akkupakettia koskevia tärkeitä turvaohjeita

1. Ennen akun käyttöönottoa tutustu kaikkiin laturissa (1), akussa (2) ja akkukäyttöisessä tuotteessa (3) oleviin varoitusteksteihin.
2. Älä pura akkua.

3. Jos akun toiminta-aika lyhenee merkittävästi, lopeta akun käyttö. Seurauksena voi olla ylikuumentuminen, palovammoja tai jopa räjähdys.
4. Jos akkuneustettä pääsee silmiin, huuhtele puhtaalla vedellä ja hakeudu välittömästi lääkäriin hoitoon. Akkuneuste voi aiheuttaa näön menetyksen.
5. Älä oikosulje akkua.
 - (1) Älä koske akun napoihin millään sähköä johtavalla materiaalilla.
 - (2) Vältä akun oikosulkemista äläkä säilytä akkua yhdessä muiden metalliesineiden, kuten naulojen, kolikoiden ja niin edelleen kanssa.
 - (3) Älä aseta akkua alttiiksi vedelle tai sateelle.

Oikosulku voi aiheuttaa virtapiikin, ylikuumentumista, palovammoja tai laitteen rikkoutumisen.
6. Älä säilytä työkalua ja akkua paikassa, jossa lämpötila voi nousta 50 °C:een tai sitäkin korkeammaksi.
7. Älä hävitä akkua polttamalla, vaikka se olisi pahoin vaurioitunut tai täysin loppuun kulunut. Avotuli voi aiheuttaa akun räjähtämisen.
8. Varo kolhimasta tai pudottamasta akkua.
9. Älä käytä viallista akkua.
10. Sisältyviä litium-ioni-akkuja koskevat vaarallisten aineiden lainsäädännön vaatimukset. Esimerkiksi kolmansien osapuolten huolintaliikkeiden tulee kaupallisissa kuljetuksissa noudattaa pakkaamista ja merkintöjä koskevia erityisvaatimuksia. Lähetettävän tuotteen valmistelu edellyttää vaarallisten aineiden asiantuntijan neuvontaa. Huomioi myös mahdollisesti yksityiskohtaisemmat kansalliset määräykset
Akun avoimet liittimet tulee suojata teipillä tai suojuksella ja pakkaaminen tulee tehdä niin, ettei akku voi liikkua pakkauksessa.
11. Hävitä akku paikallisten määräysten mukaisesti.

SÄILYTÄ NÄMÄ OHJEET.

⚠HUOMIO: Käytä vain alkuperäisiä Makita-akkuja. Muiden kuin aitojen Makita-akkujen, tai mahdollisesti muutettujen akkujen käyttö voi johtaa akun murtumiseen ja aiheuttaa tulipaloja, henkilö- ja omaisuusvahinkoja. Se mitätöi myös Makita-työkalun ja -laturin Makita-takuun.

Vihjeitä akun käyttöiän pidentämiseksi

1. Lataa akku ennen kuin se purkautuu täysin. Lopeta aina työkalun käyttö ja lataa akku, jos huomaat työkalun tehon vähenevän.
2. Älä koskaan lataa uudestaan täysin ladattua akkua. Ylilataaminen lyhentää akun käyttöikää.
3. Lataa akku huoneen lämpötilassa välillä 10 °C - 40 °C. Anna kuuman akun jäähtyä ennen lataamista.
4. Lataa akkupaketti, jos et käytä sitä pitkään aikaan (yli kuusi kuukautta).

TOIMINTOJEN KUVAUS

⚠HUOMIO: Varmista aina ennen säätöjä ja tarkastuksia, että työkalu on sammutettu ja akkupaketti irrotettu.

Akun asentaminen tai irrottaminen

⚠HUOMIO: Sammuta työkalu aina ennen akun kiinnittämistä tai irrottamista.

⚠HUOMIO: Pidä työkalusta ja akusta tiukasti kiinni, kun irrotat tai kiinnität akkua. Jos akkupaketti tai työkalu putoaa, ne voivat vaurioitua tai aiheuttaa tapaturman.

- **Kuva1:** 1. Punainen merkkivalo 2. Painike 3. Akkupaketti

Irrota akku painamalla akun etupuolella olevaa painiketta ja vetämällä akku ulos työkalusta.

Akku liitetään sovitamalla akun kieleke rungon uraan ja työntämällä se sitten paikoilleen. Työnnä akku pohjaan asti niin, että kuulet sen napsahtavan paikoilleen. Jos painikkeen yläpuolella näkyy punainen ilmaisin, akku ei ole lukkiutunut täysin paikoilleen.

⚠HUOMIO: Työnnä akku aina pohjaan asti, niin että punainen ilmaisin ei enää näy. Jos akku ei ole kunnolla paikallaan, se voi pudota työkalusta ja aiheuttaa vammoja joko sinulle tai sivullisille.

⚠HUOMIO: Älä käytä voimaa akun asennuksessa. Jos akku ei liu'u paikalleen helposti, se on väärässä asennossa.

Työkalun/akun suojausjärjestelmä

Työkalu on varustettu työkalu/akun suojausjärjestelmällä. Tämä järjestelmä pidentää työkalun ja akun käyttöikää katkaisemalla automaattisesti moottorin virran. Työkalu pysähtyy automaattisesti kesken käytön, jos työkalussa tai akussa ilmenee jokin seuraavista tilanteista: Joissakin tilanteissa merkkivalot syttyvät.

Ylikuormitussuoja

Kun työkalua käytetään tavalla, joka saa sen kuluttamaan epätavallisen suuren määrän virtaa, työkalu pysähtyy automaattisesti ilman mitään merkkivaloa tai ilmaisinta. Katkaise tässä tilanteessa työkalusta virta ja lopeta ylikuormitustilan aiheuttanut käyttö. Käynnistä sitten työkalu uudelleen kytkemällä siihen virta.

Ylikuumentumissuoja

Kun työkalu ylikuumentuu, työkalu pysähtyy automaattisesti. Anna työkalun jäähtyä, ennen kuin kytket työkalun uudelleen päälle.

Ylipurkautumissuoja

Jos akun varaus käy vähiin, työkalu pysähtyy automaattisesti. Jos työkalu ei toimi, vaikka kytkimiä käytetään, irrota akut työkalusta ja lataa ne.

Akun jäljellä olevan varaustason ilmaisin

Vain akkupaketeille ilmaisimella

► **Kuva2:** 1. Merkkivalot 2. Tarkistuspainike

Painamalla tarkistuspainiketta saat näkyviin akun jäljellä olevan varauksen. Merkkivalot palavat muutaman sekunnin ajan.

Merkkivalot			Akussa jäljellä olevan varaus
Palaa	Pois päältä	Viilkkuu	
■	□	▤	75% - 100%
■	■	■	
■	■	□	50% - 75%
■	■	□	25% - 50%
■	□	□	0% - 25%
▤	□	□	Lataa akku.
■	■	□	Akussa on saattanut olla toimintahäiriö.
□	□	■	

HUOMAA: Ilmoitettu varaustaso voi erota hieman todellisesta varaustasosta sen mukaan, millaisissa oloissa ja missä lämpötilassa laitetta käytetään.

Kytkinrasian asento

Kytkinrasia voidaan kiinnittää alemman vyön molemmille puolille. Asettele johto niin, että kytkinrasia tulee haluamallasi puolelle. Ehkäistääksesi virtajohtoa vahingoittumasta, pujota johto koukun läpi kuvan mukaan.

► **Kuva3:** 1. Koukku 2. Johto

Vöiden säätäminen

Olkavöiden ja ylempään ja alemman vyön kireyttä voidaan säätää. Laita ensin kädet olkavöiden läpi ja kiinnitä ylempi ja alempi vyö. Kiristä vetämällä hihnan pää kuvauksen mukaan. Löysää, vetämällä kiinnittimen päätä ylöspäin.

Olkavyöt

► **Kuva4:** 1. Hihna 2. Kiinnitin

Ylempi vyö

► **Kuva5:** 1. Hihna 2. Kiinnitin

Alempi vyö

► **Kuva6:** 1. Hihna 2. Kiinnitin

Kantokoukku

Tartu aina kantokoukusta käsiteltäessä polynimurin runkoa.

► **Kuva7:** 1. Kantokoukku

Jatkoputki

Vain polynimurityypille

Putken pituutta voidaan säätää. Löysää putken rengas ja säädä putken pituus. Kiristä rengas haluamaasi pituuteen.

► **Kuva8:** 1. Rengas

Kytkimen käyttäminen

Aloita imurointi painamalla kerran (2⁺)-painiketta. Imuri käynnistyy suuremmalla imuteholla (2). Jos haluat laskea imutehoa, paina (2⁻)-painiketta vielä kerran. Imuri toimii normaalilla imuteholla (1). Kun painat painiketta imurin käydessä, imuteho vaihtuu suuremman ja normaalin imutehon välillä. Sammuuta imuri painamalla (0⁻)-painiketta.

► **Kuva9**

LED-valo

LED-valo on asennettu kytkinrasian päähän helpottamaan toimintaa pimeissä paikoissa. Paina (LED)-painiketta kytkeäksesi valon päälle. Sammuta painamalla (LED)-painiketta uudestaan.

► **Kuva10**

▲HUOMIO: Älä katso suoraan lampuun tai valonlähteeseen. Älä koskaan suuntaa valoa muiden ihmisten silmiin.

HUOMAA: LED-valo sammuu automaattisesti, kun imuria ei käytetä yli 10 minuuttiin.

HUOMAA: Imuri sammuu automaattisesti ja LED-valo vilkkuu, kun imuri on ylikuumentunut johtuen pienentyneestä ilmavirrasta koneeseen, mikä aiheuttaa letkun, putken, suodattimen tukkeutumisesta tai muista syistä.

Letkuside

Letkusidettä voidaan käyttää pitämään putkea tai vapaata suulaketta.

Varmistaaksesi putken polynimuriin runkoon, pujota letkuside rungon aukon läpi. Voit kiinnittää letkusiteen kummallekin puolelle.

► **Kuva11:** 1. Letkuside 2. Aukko 3. Jatkoputki

Pitääksesi vapaata suutinta alemmassa vyössä, pujota letkuside alemman vyön silmukan läpi.

► **Kuva12:** 1. Letkuside 2. Vapaa suulake

Letkukoukku

Vain polynimurityypille

Kun keskeytät työn, letkussa olevaa koukkuja voidaan käyttää putken ripustamiseen alempaan vyöhön.

► **Kuva13**

KOKOONPANO

⚠HUOMIO: Varmista aina ennen mitään työkalulle tehtäviä toimenpiteitä, että se on sammutettu ja akku irrotettu.

Letkun kokoaminen

Työnnä letkun suu imurin runkoon ja käännä sitä myötäpäivään.

► **Kuva14:** 1. Letkun suu 2. Pölynimurin runko

Jatkoputken ja suulakkeen kokoaminen

Vain pölynimurityypille

Liitä suulake jatkoputkeen. Sen jälkeen, kannattele imurin runkoa ja kytke sitten letku jatkoputkeen.

Jatkoputken ja suulakkeen yhdistäminen

► **Kuva15:** 1. Jatkoputki 2. Vapaa suulake
3. T-muotoinen suulake

Letkun ja jatkoputken kytkeminen

► **Kuva16:** 1. Letku 2. Jatkoputki 3. Vapaa suulake

HUOMAA: Vapaa suulake voidaan kiinnittää letkuun suoraan.

Työkalun liittämisen

Vain pölynpoistotyyppille

Liitä sovittinkappale letkuun työkalun poistoaukkoon.

► **Kuva17:** 1. Sovittinkappale 2. Poistoaukko

Käytä aina sopivaa sovittinkappaletta. Sovittinkappale voidaan irrottaa kiertämällä vastapäivään ja pitämällä samalla letkusta. Varmista liittännän yhteydessä, että sovittinkappale on kiinnitetty kunnolla letkuun.

► **Kuva18:** 1. Letku 2. Sovittinkappale

Kun sovittinkappaletta 24 käytetään, aseta se sovittinkappaleen 22 eteen, joka on liitetty letkuun.

► **Kuva19:** 1. Sovittinkappale 22 2. Sovittinkappale 24

Suodatinpussin asentaminen

⚠HUOMIO: Älä käytä viallista suodatinpussia. Käytä aina imurissa oikein asennettua suodatinpussia. Muuten imuroitu pöly tai hiukkaset voivat päästä ulos imurista ja aiheuttaa hengityselinsairauksia käyttäjälle.

HUOMAUTUS: Kun suodatinpussi on jo täynnä, vaihda se uuteen. Täyden suodatinpussin jatkuva käyttö johtaa pientenytseen imutehoon.

1. Avaa salpa nostamalla alapuolta. Työnnä uritetusta aluetta nostaaksesi etupuolen lukitusta. Vedä salpaa avataksesi kannen.

► **Kuva20:** 1. Koukku 2. Kansi

2. Työnnä suodatinpussi uraan kammion yläpuolella, kuten on kuvattu.

► **Kuva21:** 1. Ura 2. Suodatinpussi / Pölypussi

Käytettäessä pölypussia (lisävaruste), aseta reuna pölypussin uraan.

► **Kuva22:** 1. Ura 2. Reuna

3. Kohdista suodatinpussin reikä letkun suuhun ja työnnä pahviosa loppuun saakka. Varmista, että suodatinpussin kumirengas menee letkun suun vanteen päälle.

► **Kuva23:** 1. Suodatinpussin kumirengas 2. Letkun suun vante 3. Suodatinpussin pahviosa
4. Letkun suu

TYÖSKENTELY

⚠VAROITUS: Tämän pölynimurin käyttäjille tulee antaa riittävä käyttökoulutus.

⚠VAROITUS: Tämä pölynimuri ei sovellu vaarallisen pölyn keräämiseen.



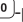
⚠HUOMIO: Tämä pölynimuri on tarkoitettu käytettäväksi vain kuivassa.

⚠HUOMIO: Tämä pölynimuri on tarkoitettu käytettäväksi vain sisätiloissa.

⚠HUOMIO: Työnnä akkupaketti pohjaan asti, niin että se napsahtaa paikoilleen. Jos painikkeen yläpuolella näkyy punainen ilmaisin, akku ei ole lukkiutunut täysin paikoilleen. Työnnä se pohjaan asti, niin että punaista ilmaisinta ei enää näy. Jos akku ei ole kunnolla paikallaan, se voi pudota työkalusta ja aiheuttaa vammoja joko sinulle tai sivullisille.

1. Tue Imurin runkoa ja kiinnitä ylempi ja alempi vyö. Säädä tarvittaessa kireys.

► **Kuva24**

2. Paina -painiketta imuroinnin aloittamiseksi. Jos haluat laskea imutehoa, paina -painiketta vielä keran. Paina -painiketta imuroinnin lopettamiseksi.

► **Kuva25**

Kytke kytkinlaatikko puhdistuksen aikana alempaan vyöhön. Koukku voidaan kallistaa valaistusta varten eteenpäin.

► **Kuva26**

HUOMAA: Imuri sammuu automaattisesti ja LED-valo vilkkuu, kun imuri on ylikuumentunut johtuen pientenytneestä ilmavirrasta koneeseen, mikä aiheuttaa letkun, putken, suodattimen tukkeutumisesta tai muista syistä. Tässä tapauksessa poista ongelman syy ja anna imurin jäähtyä ennen uudelleenkäynnistystä.

3. Vaihda suodatinpussi, kun se tulee täyteen. Avaa kansi ja poista suodatinpussi. Vedä liuskaa aukon sivussa sulkeaksesi suodatinpussin ja hävitä suodatinpussi kokonaan.

► **Kuva27:** 1. Liuska

Käytettäessä pölypussia (lisätarvike), poista pölypussi ja hävitä pöly vapauttamalla salpa.

► **Kuva28:** 1. Salpa

HUOMAUTUS: Tarkista ajoittain, onko suodatinpussi täynnä. Täyden suodatinpussin jatkuva käyttö johtaa pienentyneeseen imutehoon.

HUOMAUTUS: Älä käytä käytettyä suodatinpussia. Suodatinpussi on tarkoitettu kertakäyttöön. Jos haluat käyttää pussia toistuvasti, käytä pölypussia (lisätarvike).

KUNNOSSAPITO

▲HUOMIO: Varmista aina ennen tarkastusta tai huoltoa, että työkalu on sammutettu ja akku irrotettu.

HUOMAUTUS: Älä koskaan käytä bensiiniä, ohenteita, alkoholia tai tms. aineita. Muutoin pinta voi halkeilla tai sen värit ja muoto voivat muuttua. Muutoin laitteeseen voi tulla värjäytymiä, muodon vääristymiä tai halkeamia.

Suodattimen puhdistaminen

▲HUOMIO: Älä käytä imuria ilman suodatinta tai käytä edelleen likaista tai vaurioitunutta suodatinta. Muuten imuroitu pöly tai hiukkaset voivat päästä ulos imurista ja aiheuttaa hengityselinsairauksia käyttäjälle.

HUOMAUTUS: Varmistaaksesi parhaan mahdollisen imutehon ja puhtaan poistoilman, puhdista suodatin säännöllisesti. Jos imutehoa ei saada tarpeeksi edes puhdistuksen jälkeen, vaihda suodatin uuteen.

HUOMAUTUS: Ehkäistäksesi suodattimen vaurioitumisen, älä käytä paineilmasuihkua ja/tai painepesuria puhdistukseen.

1. Avaa kansi ja poista suodatinpussi. Vapauta suodattimen koukku ja irrota se imurin rungosta.

► Kuva29

2. Hakkaa pöly pois suodattimesta. Suodatin voidaan pestä vedellä. Huuhtelee pöly ja hiukkaset pois suodattimesta 1 tai 2 kuukauden välein. Tämän jälkeen kuivata suodatin täysin varjoisessa ja hyvin ilmastoitussa paikassa epämiellyttävän hajun tai toimintahäiriöiden ehkäisemiseksi.

3. Suodatinta asentaessa, aseta pidikkeeseen se suodattimen puoli, jossa ei ole läppää ja työnnä suodatinta alaspäin, kunnes läppä on kiinnittynyt ripaan.

► Kuva30: 1. Kannatin 2. Suodatin 3. Ripa 4. Läppä

Pölypussin puhdistaminen

Puhdista pölypussi säännöllisesti saippualla ja vedellä. Käännä pölypussi nurinpäin ja poistaa tahmea pöly. Pese kevyesti käsin ja huuhtelee hyvin vedellä. Anna kuivua kokonaan ennen kuin asennat pölynimuriin.

► Kuva31

HUOMAUTUS: Märkä pölypussi laskee imuroinnin suorituskykyä sekä moottorin elinikää.

Tuotteen TURVALLISUUDEN ja LUOTETTAVUUDEN takaamiseksi korjaukset, muut huoltotyöt ja säädöt on teetettävä Makitan valtuutetussa huoltopisteessä Makitan varaosia käyttäen.

LISÄVARUSTEET

▲HUOMIO: Seuraavia lisävarusteita tai laitteita suositellaan käytettäväksi tässä ohjeessa kuvatun Makita-työkalun kanssa. Muiden lisävarusteiden tai laitteiden käyttö voi aiheuttaa henkilövahinkoja. Käytä lisävarusteita ja -laitteita vain niiden käyttötarkoituksen mukaisesti.

Jos tarvitset apua tai yksityiskohtaisempia tietoja seuraavista lisävarusteista, ota yhteys paikalliseen Makitan huoltoon.

- Letku (pölynimurityypille)
- Letku (pölypoistotyyppille)
- Jatkoputki
- Vapaa suulake
- T-muotoinen suulake
- Mattosuutin
- Hyllyharja
- Pyöreä harja
- Suodatinpussi
- Pölypussi
- Sovitinkappale
- Suodatin
- Aito Makitan akku ja laturi

HUOMAA: Jotkin luettelossa mainitut varusteet voivat sisältyä työkalun toimitukseen vakiovarusteina. Ne voivat vaihdella maittain.

SPECIFIKĀCIJAS

Modelis:		DVC260
Tilpums	Filtra maiss	2,0 l
	Putekļu maiss	1,5 l
Maksimālais gaisa daudzums		1,5 m ³ /min
Izmēri (G × P × A) (bez stiprinājuma)		230 mm × 152 mm × 373 mm
Nominālais spriegums		Līdzstrāva 36 V
Standarta akumulatora kasetne		BL1815N, BL1820, BL1820B BL1830, BL1830B, BL1840, BL1840B, BL1850, BL1850B, BL1860B
Tīrsvars (puteķšūcēja tips)		3,8 kg 4,3 kg

- Nepārtrauktās izpētes un izstrādes programmas dēļ šeit uzrādītās specifikācijas var tikt mainītas bez brīdinājuma.
- Specifikācijas un akumulatora kasetne var atšķirties dažādās valstīs.
- Svārs ar akumulatora kasetni saskaņā ar EPTA-Procedure 01/2003

Simboli

Zemāk ir attēloti simboli, kas attiecas uz iekārtu. Pirms darbarīka izmantošanas pārliecinieties, vai pareizi izprotat to nozīmi.



Izlasiet lietošanas rokasgrāmatu.



Tikai ES valstīm
Elektroierīces vai akumulatora bloku neizmetiet māsaimniecības atkritumos! Saskaņā ar Eiropas direktīvām par nolietotām elektriskām un elektroniskām iekārtām, kā arī par baterijām un akumulatoriem, nolietotām baterijām un akumulatoriem un šo direktīvu ieviešanu saskaņā ar valsts likumdošanu, elektriskās iekārtas, baterijas un akumulatori, to darbūžam beidzoties, jāsavāc atsevišķi un jānogādā vidi saudzējošā otrreizējās pārstrādes uzņēmumā.

Paredzētā lietošana

Št ierīce ir paredzēta sausu puteķļu savākšanai. Ierīce ir piemērota izmantošanai komerciālām vajadzībām, piemēram, viesnīcās, skolās, slimnīcās, veikalos, birojos, kā arī izīrēšanai.

Trokšņa līmenis

Tipiskais A svērtais trokšņa līmenis noteikts saskaņā ar 60332-2-69, 60704-2-1:
Skaņas spiediena līmenis (L_{pA}): 70 dB (A) vai mazāk
Mainīgums (K): 2,5 dB (A)

Darbības laikā trokšņa līmenis var pārsniegt 80 dB (A).

BRĪDINĀJUMS: Lietojiet ausu aizsargus.

Vibrācija

Vibrācijas kopējā vērtība (trīsasu vektora summa) noteikta atbilstoši standartam pārbaušanas metodei un to darba režīms: plātņu zāģēšana
Vibrācijas izmēte (a_h): 2,5 m/s² vai mazāk
Mainīgums (K): 1,5 m/s²

PIEZĪME: Paziņotā vibrācijas emisijas vērtība noteikta atbilstoši standartam pārbaušanas metodei un to var izmantot, lai salīdzinātu vienu darbarīku ar citu.

PIEZĪME: Paziņoto vibrācijas emisijas vērtību arī var izmantot iedarbības sākotnējā novērtējumā.

BRĪDINĀJUMS: Reāli lietojot elektrisko darbarīku, vibrācijas emisija var atšķirties no paziņotās emisijas vērtības atkarībā no darbarīka izmantošanas veida.

BRĪDINĀJUMS: Lai aizsargātu lietotāju, nosakiet drošības pasākumus, kas pamatoti ar iedarbību reālos darba apstākļos (ņemot vērā visus ekspluatācijas cikla posmus, piemēram, laiku, kamēr darbarīks ir izslēgts un kad darbojas tukšgaitā, kā arī palaides laiku).

EK Atbilstības deklarācija

Tikai Eiropas valstīm

Makita paziņo, ka šāds instruments(-i):
Mašīnas nosaukums: Uz muguras pārnēsājams bezvadu puteķļu sūcējs

Modeļa Nr./tips: DVC260

Atbilst sekojošām Eiropas Direktīvām: 2006/42/EC
Ražots saskaņā ar šādu standartu vai normatīvajiem dokumentiem: EN60335

Tehniskā lieta saskaņā ar 2006/42/EC ir pieejama:
Makita, Jan-Baptist Vinkstraat 2, 3070, Beļģija
8.9.2015

Yasushi Fukaya

Yasushi Fukaya

Direktors

Makita, Jan-Baptist Vinkstraat 2, 3070, Belgija

DROŠĪBAS BRĪDINĀJUMI

Drošības brīdinājumi bezvadu putekļsūcēja lietošanai

▲BRĪDINĀJUMS: SVARĪGI! PIRMS LIETOŠANAS UZMANĪGI IZLASIET visus drošības brīdinājumus un visus norādījumus. Brīdinājumu un norādījumu neievērošanas gadījumā var rasties elektrotrauma, aizdegšanās un/vai smagas traumas.

1. Pirms lietošanas pārliecinieties, ka lietotājs ir pienācīgi apmācīts lietot šo putekļsūcēju.
2. Neizmantojiet putekļsūcēju bez filtra. Nekavējoties nomainiet bojātu filtru.
3. Nemēģiniet savākt ugunsnedrošus priekšmetus, piemēram, ugunošanas raķetes, degošas cigaretes, karstus pelnus, karstas metāla skaidas, kā arī asus priekšmetus, piemēram, žiletis, saplēstu stiklu u. c.
4. **NEKĀDĀ GADĪJUMĀ NEIZMANTOJIET PUTEKĻSŪCĒJU, JA TUVUMĀ ATRODAS DEGVIELA, GĀZE, KRĀSA, LĪME VAI CITAS VIELAS AR AUGSTU SPRĀDZIENBĪSTĀMĪBU.** Slēdzi ieslēdzot (ON) vai izslēdzot (OFF), rodas dzirksteles. Tāpat dzirksteles rodas arī no motora kolektora darbības laikā. Tas var izraisīt bīstamu sprādzienu.
5. Nekad neiesūciet toksiskus, kancerogēnus, ugunsnedrošus vai citus kaitīgus materiālus, piemēram, azbestu, arsēnu, bāriju, beriliju, svīnu, pesticīdus vai citus materiālus, kas apdraud veselību.
6. Nekādā gadījumā neizmantojiet putekļsūcēju ārpus telpām lietū.
7. Nelietojiet siltuma avotu (piem., krāsns u. c.) tuvumā.
8. Nenospirstojiet dzesēšanas atveres. Šīs atveres dzesē motoru. Īpaši rūpīgi raugieties, lai neveidotos nosprostojums, citādi motors sadegs ventilācijas trūkuma dēļ.
9. Vienmēr stingri stāviet uz droša pamata, saglabājot līdzsvaru.
10. Nelokiet, neraujiet šļūteni un nekāpiet tai virsū.
11. Ja izmantošanas laikā ierīce nedarbojas pareizi vai pamanāt jebkādas novirzes, nekavējoties izslēdziet putekļsūcēju.
12. **ATVIENOJIET AKUMULATORUS.** Ja putekļsūcēju neizmantojat, pirms tā apkopes un piederumu maiņas.
13. Tīriet un apkopiet putekļsūcēju uzreiz pēc katras lietošanas reizes, lai uzturētu to ideālā lietošanas kārtībā.
14. **VEICIET RŪPĪGU PUTEKĻSŪCĒJA APKOPI.** Uzturiet putekļsūcēju tīru, lai tā darbība būtu labāka un drošāka. Ievērojiet piederumu nomainīšanas norādījumus. Uzturiet rokturus sausus un tīrus; rūpējieties, lai uz tiem nebūtu eļļas un smērvielu.
15. **PĀRBAUDIET, VAI NAV BOJĀTU DAĻU.** Pirms turpināt lietot ierīci, aizsargu vai citu daļu, kas bijusi bojāta, rūpīgi pārbaudiet, lai noteiktu, vai tā pareizi darbosies un izpildīs savas funkcijas. Pārbaudiet, vai kustīgās daļas ir pareizi salāgotas, vai tās var brīvi kustēties, un daļas nav salūzušas; pārbaudiet to stiprinājumus un citus apstākļus, kas var ietekmēt putekļsūcēja darbību. Bojātais aizsargs vai citas daļas jāmaina vai to remonts pareizi jāveic pilnvarotā apkopes centrā, ja vien šajā lietošanas rokasgrāmatā nav norādīts citādi. Bojātus slēdzus nomainiet pilnvarotā apkopes centrā. Neizmantojiet putekļsūcēju, ja ar slēdzi to nevar ieslēgt un izslēgt.
16. **REZERVES DAĻAS.** Veicot apkopi, izmantojiet tikai oriģinālās rezerves daļas.
17. **NEIZMANTOTA PUTEKĻSŪCĒJA UZGLABĀŠANA.** Ja putekļsūcēju neizmantojat, tas jāuzglabā iekšstelpās.
18. **Saudzējiet putekļsūcēju.** Nevīžīgi izturoties, var sabojāt pat vizuāli labāko putekļsūcēju.
19. **Netīriet ierīces ārpusi un iekšpusi ar benzīnu, šķīdinātāju vai citām tīrīšanas ķīmikālijām.** Tas var radīt plaisas un izbalēšanu.
20. **Neizmantojiet putekļsūcēju ierobežotā vietā, kur izdalās viegli uzliesmojoši, eksplozīvi vai toksiski izgarojumi no eļļas krāsas, krāsas šķīdinātāja, degvielas, dažiem pretkožu līdzekļiem u. c., vai vietās, kur ir ugunsnedroši putekļi.**
21. **Nelietojiet putekļsūcēju, ja esat medikamentu vai alkohola ietekmē.**
22. **Galvenais drošības noteikums ir aizsargbrīļi vai aizsargbrīļi ar sānu aizsargiem lietošana.**
23. **Putekļainos apstākļos izmantojiet putekļu masku.**
24. **Šo mašīnu nav paredzēts izmantot personām (tostarp bērniem) ar samazinātām fiziskām, maņu vai garīgām spējām vai personām bez pieredzes un zināšanām.**
25. **Neatstājiet mazus bērnus bez uzraudzības, lai nepieļautu, ka viņi spēlējas ar putekļsūcēju.**
26. **Neņemiet akumulatorus vai putekļu sūcēju ar mitrām rokām.**
27. **Esiet īpaši uzmanīgi, kad veicat tīrīšanu, stāviet uz kāpnēm.**
28. **Neizmantojiet putekļsūcēju kā pakāpienu vai darbagaldu.** Mašīna var nokrist un radīt traumas.

Apkope

1. Uzticiet savu elektriskā darbarīka apkopi kvalificētam remontstrādniekam, izmantojiet tikai identiskas rezerves daļas. Tas garantēs to, ka elektriskā darbarīka drošības pakāpe nesamazināsies.
2. Ievērojiet eļļošanas un piederumu maiņas norādījumus.
3. Uzturiet rokturus sausus, tīrus, bez eļļas un smērvielas.

Svarīgi drošības norādījumi par akumulatora kasetni

1. Pirms akumulatora lietošanas izlasiet visus norādījumus un brīdinājumus, kuri attiecas uz (1) akumulatora lādētāju, (2) akumulatoru un (3) ierīci, kurā tiek izmantots akumulators.
2. Neizjauciet akumulatoru.

- Ja akumulatora darbības laiks kļūva ievērojami īsāks, nekavējoties pārtrauciet to izmantot. Citādi, tas var izraisīt pārkaršējumu, uzliesmojumu vai pat sprādzienu.
- Ja elektrolīts nonāk acīs, izskalojiet tās ar tīru ūdens un nekavējoties griežieties pie ārsta. Tas var izraisīt redzes zaudēšanu.
- Neradiet īssavienojumu akumulatora kasetnē:
 - Nepieskarieties spaiļiem ar elektrību vadošiem materiāliem.
 - Neuzglabājiet akumulatoru kasetni kopā ar citiem metāla priekšmetiem, tādiem kā naglas, monētas u. c.
 - Nepakļaujiet akumulatora kasetni ūdens vai lietus ledarbībai.

Akumulatora īssavienojums var radīt spēcīgu strāvas plūsmu, pārkaršanu, uzliesmojumu un pat sabojāt akumulatoru.

- Neglabājiet darbarīku un akumulatora kasetni vietās, kur temperatūra var sasniegt vai pārsniegt 50 °C (122 °F).
- Nededziniet akumulatora kasetni, pat ja tā ir stipri bojāta vai pilnībā nolietota. Akumulatora kasetne ugunī var eksplodēt.
- Uzmanieties, lai neļautu akumulatoram nokrist un nepakļautu to sitienam.
- Neizmantojiet bojātu akumulatoru.
- Uz izmantotajiem litija jonu akumulatoriem attiecas likumdošanas prasības par bīstamiem izstrādājumiem.

Komerציālā transportēšanā, ko veic, piemēram, trešās puses, transporta uzņēmumi, jāievēro uz iesaiņojuma un marķējuma norādītās īpašās prasības. Lai izstrādājumu sagatavotu nosūtīšanai, jāsažinās ar bīstamo materiālu speciālistu. Ievērojiet arī citus attiecināmos valsts normatīvus.

Vajējus kontaktus nosedziet ar līmlenti vai citādi pārklājiet, bet akumulatoru iesaiņojiet tā, lai sainī tas nevarētu izkustēties.
- Ievērojiet vietējos noteikumus par akumulatora likvidēšanu.

SAGLABĀJIET ŠOS NORĀDĪJUMUS.

UZMANĪBU: Lietojiet tikai oriģinālos Makita akumulatorus. Ja lietojat neoriģinālus Makita akumulatorus vai pārveidotus akumulatorus, tie var uzsprāgt un izraisīt aizdegšanos, traumas un materiālos zaudējumus. Tīks anulēta arī Makita darbarīka un lādētāja garantija.

Ieteikumi akumulatora kalpošanas laika pagarināšanai

- Uzplādējiet akumulatora kasetni, pirms tā ir pilnībā izlādējusies. Vienmēr, kad ievērojāt, ka darbarīka darba jauda zudusi, apturiet darbarīku un uzplādējiet akumulatora kasetni.
- Nekad neuzplādējiet pilnībā uzplādētu akumulatora kasetni. Pārmērīga uzplāde saīsina akumulatora kalpošanas laiku.
- Uzplādējiet akumulatora kasetni istabas temperatūrā 10 °C - 40 °C. Karstai akumulatora kasetnei pirms uzlādes ļaujiet atdzist.
- Uzplādējiet litija jonu akumulatora kasetni, ja to ilgstoši nelietosit (vairāk nekā sešus mēnešus).

FUNKCIJU APRAKSTS

UZMANĪBU: Pirms darbarīka regulēšanas vai tā darbības pārbaudes vienmēr pārliecinieties, ka darbarīks ir izslēgts un akumulatora kasetne ir izņemta.

Akumulatora kasetnes uzstādīšana un izņemšana

UZMANĪBU: Vienmēr pirms akumulatora kasetnes uzstādīšanas vai noņemšanas izslēdziet darbarīku.

UZMANĪBU: Uzstādot vai izņemot akumulatora kasetni, darbarīku un akumulatora kasetni turiet cieši. Ja darbarīku un akumulatora kasetni netur cieši, tie var izkrist no rokām un radīt bojājumus darbarīkam un akumulatora kasetnei, kā arī izraisīt ievainojumus.

- **Att. 1:** 1. Sarkanās krāsas indikators 2. Poga 3. Akumulatora kasetne

Lai izņemtu akumulatora kasetni, izvelciet to no darbarīka, pārbīdot kasetnes priekšpusē esošo pogu.

Lai uzstādītu akumulatora kasetni, salāgojiet mēlīti uz akumulatora kasetnes ar riervu ietvarā un iebīdīet to vietā. Ievietojiet to līdz galam, līdz tā ar klikšķi nokļūst vietā. Ja poga augšējā daļā redzams sarkanās krāsas indikators, tas nozīmē, ka tā nav pilnīgi fiksēta.

UZMANĪBU: Vienmēr ievietojiet akumulatora kasetni tā, lai sarkanais indikators nebūtu redzams. Pretējā gadījumā tā var nejauši izkrist no darbarīka un izraisīt jums vai apkārtējiem traumas.

UZMANĪBU: Neievietojiet akumulatora kasetni ar spēku. Ja kasetne neslīd ietvarā viegli, tā nav pareizi ielikta.

Darbarīka/akumulatora aizsardzības sistēma

Darbarīks ir aprīkots ar darbarīka/akumulatora aizsardzības sistēmu. Šī sistēma automātiski izslēdz jaudas padevi motoram, lai pagarinātu darbarīka un akumulatora kalpošanas laiku. Darbarīks automātiski pārstās darboties ekspluatācijas laikā, ja darbarīku vai akumulatoru pakļaus kādam no šiem apstākļiem. Dažu apstākļu gadījumā izgaismojas indikatori.

Aizsardzība pret pārslodzi

Ja darbarīku ekspluatācijas laikā lieto tādā veidā, ka tas saista pārmērīgu strāvu, darbarīks automātiski pārstāj darboties bez jebkādam norādēm. Šādā gadījumā izslēdziet darbarīku un pārtrauciet darbību, kas izraisīja darbarīka pārslodzi. Tad ieslēdziet darbarīku, lai atsāktu darbu.

Aizsardzība pret pārkaršanu

Kad darbarīks ir pārkaris, tas automātiski pārstāj darboties. Pirms atkārtotas ieslēgšanas ļaujiet darbarīkam atdzist.

Aizsardzība pret akumulatora pārmērīgu izlādi














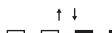
Kad akumulatora jauda ir zema, darbarīks automātiski pārstāj darboties. Ja darbarīks nedarbojas, pat ieslēdzot slēdžus, no darbarīka izņemiet akumulatoru un veiciet akumulatoram uzlādi.

Atlikušās akumulatora jaudas indikators

Tikai akumulatora kasetnēm ar indikatoru

► **Att.2:** 1. Indikatora lampas 2. Pārbaudes poga

Nospiediet akumulatora kasetnes pārbaudes pogu, lai pārbaudītu akumulatora atlikušo uzlādes līmeni. Indikatori iedegsies uz dažām sekundēm.

Indikatora lampas			Atlikusi jauda
			
			No 75% līdz 100%
			No 50% līdz 75%
			No 25% līdz 50%
			No 0% līdz 25%
			Uzlādējiet akumulatoru.
 ↑ ↓ 			Iespējama akumulatora kļūme.

PIEZĪME: Reālā jauda var nedaudz atšķirties no norādītās atkarībā no lietošanas apstākļiem un apkārtējās temperatūras.

Slēdža nodalījuma novietojums

Slēdža nodalījumu var pieaķēt apakšējās siksnas abās pusēs. Izvelciet kabeli tā, lai slēdža nodalījums atrastos vēlamajā pusē. Lai nepieļautu kabeļa bojājumu, iebīdīti to cauri aķim, kā parādīts.

► **Att.3:** 1. Aķis 2. Kabelis

Siksnu regulēšana

Plecu siksnu, augšējās un apakšējās siksnas pievilkumu ir iespējams regulēt. Vispirms izbīdīti rokas cauri plecu siksnām, tad pievelciet augšējo un apakšējo siksnu. Lai pievilkto siksnu, pavelciet siksnas galu, kā parādīts. Lai atlaistu siksnu, pavelciet uz augšu fiksatora galu.

Plecū siksnas

► **Att.4:** 1. Siksnas 2. Fiksators

Augšējā siksnā

► **Att.5:** 1. Siksnas 2. Fiksators

Apakšējā siksnā

► **Att.6:** 1. Siksnas 2. Fiksators

Pārnēsāšanas aķis

Rīkojoties ar putekļsūcēja korpusu, vienmēr satveriet pārnēsāšanas aķi.

► **Att.7:** 1. Pārnēsāšanas aķis

Pagarinājuma caurule

Tikai putekļsūcēja režīmā

Caurules garumu ir iespējams pielāgot. Atlaidiet caurules gredzenu un pielāgojiet caurules garumu. Kad vajadzīgais garums sasniegts, pievelciet gredzenu.

► **Att.8:** 1. Gredzens

Slēdža darbība

Lai ieslēgtu putekļsūcēju, vienu reizi nospiediet pogu (1). Putekļsūcējs ieslēgsies lielākas iesūces jaudas režīmā (2). Ja vēlaties samazināt iesūces jaudu, vēlreiz nospiediet pogu (3). Putekļsūcējs darbosies parastās iesūces jaudas režīmā (1). Nospiežot šo pogu putekļsūcēja darbības laikā, iesūces jauda pārslēgsies starp lielāku un parastu jaudas režīmu. Lai izslēgtu putekļsūcēju, nospiediet pogu (0).

► **Att.9**

Gaismas diožu apgaismojums

Gaismas diožu apgaismojums atrodas slēdža nodalījuma augšpusē, lai atvieglotu darbu tumšās vietās. Nospiediet pogu (1), lai ieslēgtu apgaismojumu. Lai izslēgtu apgaismojumu, vēlreiz nospiediet pogu (0).

► **Att.10**

⚠ UZMANĪBU: Neskatieties gaismā, neapskatiet tās avotu tieši. Nekādā gadījumā nevērsiet gaismu citu cilvēku acīs.

PIEZĪME: Ja vairāk par 10 minūtēm putekļsūcējs netiek izmantots, gaismas diožu apgaismojums automātiski izslēgsies.

PIEZĪME: Putekļsūcējs automātiski izslēgsies un gaismas diodes sāks mirgot, ja putekļsūcējs pārkarš, ja, aizsērējot šļūtenei, caurulei vai filtram, gaisa iepļūdes mašīnā būs nepietiekama, vai citu iemeslu dēļ.

Šļūtenes saite

Šļūtenes saiti var izmantot caurules vai brīvā uzgala nostiprināšanai.

Lai nostiprinātu cauruli pie putekļsūcēja korpusa, izveriet šļūtenes saiti cauri korpusa atverei. Šļūtenes saiti var piestiprināt jebkurā pusē.

► **Att.11:** 1. Šļūtenes saite 2. Atvere 3. Pagarinājuma caurule

Lai nostiprinātu brīvo uzgali pie apakšējās siksnas, izveriet šļūtenes saiti cauri cilpai apakšējā siksnā.

► **Att.12:** 1. Šļūtenes saite 2. Brīvais uzgals

Šļūtenes āķis

Tikai putekļsūcēja režīmā

Pārtraucot darbu, āķi uz šļūtenes var izmantot caurules uzkrāšanai uz apakšējās siksņas.

► **Att.13**

MONTĀŽA

⚠UZMANĪBU: Pirms darbarīka regulēšanas vai apkopes vienmēr pārliecinieties, ka darbarīks ir ieslēgts un akumulatora kasetne ir izņemta.

Šļūtenes salikšana

Ievietojiet šļūtenes uznavu putekļsūcēja korpusā un pagrieziet pulksteņrādītāju kustības virzienā.

► **Att.14:** 1. Šļūtenes uznavā 2. Putekļsūcēja korpusu

Caurules un uzgaļa savienošana

Tikai putekļsūcēja režīmā

Pievienojiet uzgali pagarinājuma caurulei. Pēc tam uzlieciet plecos putekļsūcēju un pievienojiet šļūteni pagarinājuma caurulei.

Pagarinājuma caurules un uzgaļa pievienošana

► **Att.15:** 1. Pagarinājuma caurule 2. Brīvais uzgalis
3. T formas uzgalis

Šļūtenes un pagarinājuma caurules pievienošana

► **Att.16:** 1. Šļūtene 2. Pagarinājuma caurule
3. Brīvais uzgalis

PIEZĪME: Brīvo uzgali var piestiprināt tieši šļūtenei.

Darbarīka pievienošana

Tikai putekļu nosūkšanai

Savienojiet priekšējo šļūtenes uznavu ar darbarīka izvadu.

► **Att.17:** 1. Priekšējā uznavā 2. Nosūces izvads

Vienmēr izmantojiet piemērotu priekšējo uznavu.

Priekšējo uznavu var atvienot, griežot to pretēji pulksteņrādītāju kustības virzienam, vienlaikus turot šļūteni.

Pievienojot priekšējo uznavu, pārliecinieties, ka tā ir droši uzskrūvēta šļūtenei.

► **Att.18:** 1. Šļūtene 2. Priekšējā uznavā

Ja izmantojat priekšējo uznavu 24, ievietojiet to priekšējā uznavā 22, kas savukārt pievienota šļūtenei.

► **Att.19:** 1. Priekšējā uznavā 22 2. Priekšējā uznavā 24

Filtra maisa uzstādīšana

⚠UZMANĪBU: Nelietojiet bojātu filtra maisu. Izmantojiet putekļsūcēju tikai ar pareizi uzstādītu filtra maisu. Citādi iesūkto putekļu vai citas daļiņas var tikt izpūstas no putekļsūcēja un izraisīt operatora elpceļu slimības.

IEVĒRĪBAI: Ja filtra maiss ir pilns, nomainiet to pret jaunu. Putekļsūcēja ilgstoša lietošana ar pilnu filtra maisu samazina iesūces jaudu.

1. Atbloķējiet fiksatoru, paceļot apakšējo daļu. Nospiediet rievoto daļu, lai paceltu priekšējo fiksēšanas pusi. Paveiciet fiksatoru, lai atvērtu pārsegu.
► **Att.20:** 1. Āķis 2. Pārsegs

2. Ievietojiet filtra maisu nodalījuma augšējās puses šķēlumā, kā parādīts.

► **Att.21:** 1. Šķēlums 2. Filtra maiss/putekļu maiss

Izmantojot putekļu maisu (papildpiederums), putekļu maisa malu ievietojiet šķēlumā.

► **Att.22:** 1. Šķēlums 2. Mala

3. Salāgojiet filtra maisa atveri ar šļūtenes uznavu un uzbīdi kartona daļu līdz atdurei. Pārliecinieties, ka gumijas gredzens uz filtra maisa uzbīdās šļūtenes uznavas gredzenam.

► **Att.23:** 1. Gumijas gredzens uz filtra maisa
2. Gredzens uz šļūtenes uznavas 3. Filtra maisa kartona daļa 4. Šļūtenes uznavā

EKSPLUATĀCIJA

⚠BRĪDINĀJUMS: Operatoriem jābūt atbilstoši apmācītiem lietot šo putekļsūcēju.

⚠BRĪDINĀJUMS: Šis putekļsūcējs nav piemērots kaitīgu putekļu savākšanai.

⚠UZMANĪBU: Šis putekļsūcējs paredzēts izmantošanai tikai sausā vidē.

⚠UZMANĪBU: Šis putekļsūcējs paredzēts lietošanai tikai telpās.

⚠UZMANĪBU: Vienmēr ievietojiet akumulatoru kasetni līdz galam, līdz tā nofiksējas. Ja pogas augšējā daļā redzams sarkanas krāsas indikators, tas nozīmē, ka tā nav pilnīgi fiksēta. Iebīdi to tā, lai sarkanais indikators nebūtu redzams. Pretējā gadījumā akumulators var nejauši izkrist no darbarīka un radīt jums vai apkārtējiem traumas.

1. Uzlieciet putekļsūcēja korpusu plecos un piestipriniet augšējo un apakšējo siksnu. Ja nepieciešams, regulējiet pievilcību.

► **Att.24**

2. Nospiediet pogu $\left(\frac{2}{1}\right)$, lai ieslēgtu putekļsūcēju. Ja vēlaties samazināt iesūces jaudu, vēlreiz nospiediet pogu $\left(\frac{2}{1}\right)$. Nospiediet pogu $\left(\frac{0}{0}\right)$, lai pārtrauktu tīrīšanu.

► **Att.25**

Darba laikā uzkariniet slēdža nodalījumu uz apakšējās siksņas. Lai pavērstu apgaismojumu uz priekšu, āķi var sasvērt.

► **Att.26**

PIEZĪME: Putekļsūcējs automātiski izslēgsies un gaismas diodes sāks mirgot, ja putekļsūcējs pārkaršis, ja, aizsērējot šļūtenei, caurulei vai filtram, gaisa ieplūdes mašīnā būs nepietiekama, vai citu iemeslu dēļ. Šādā gadījumā novērsiet kļūmes iemeslu un atdzesējiet putekļsūcēju pirms atkārtotas ieslēgšanas.

3. Ja filtra maiss ir pilns, nomainiet to. Atveriet pārsegu un izņemiet filtra maisu. Pavelciet atvēruma sānos esošo strēmeļi, lai noslēgtu filtra maisu un izņemtu visu maisu.

► **Att.27:** 1. Strēmeļi

Izmantojot putekļu maisu (papildpiederums), izņemiet to uz ierbet putekļus, atlaižot fiksatoru.

► **Att.28:** 1. Fiksators

IEVĒRĪBAI: Regulāri pārbaudiet, vai filtra maiss nav pilns. Putekļsūcēja ilgstoša lietošana ar pilnu filtra maisu samazina iesūces jaudu.

IEVĒRĪBAI: Neizmantojiet lietotu filtra maisu. Filtra maisu paredzēts lietot vienu reizi. Ja vēlaties izmantot maisu atkārtoti, lietojiet putekļu maisu (papildpiederums).

APKOPE

⚠UZMANĪBU: Pirms darbarīka pārbaudes vai apkopes vienmēr pārlicinieties, ka darbarīks ir izslēgts un akumulatora kasetne ir izņemta.

IEVĒRĪBAI: Nekad neizmantojiet gazolinu, benzīnu, atšķaidītāju, spirtu vai līdzīgus šķidrumus. Tas var radīt izbalēšanu, deformāciju vai plaisas.

Filtra tīrīšana

⚠UZMANĪBU: Nelietojiet putekļsūcēju bez filtra vai tad, ja filtrs ir netīrs vai bojāts. Iesūktie putekļi vai citas daļiņas var tikt izpūstas no putekļsūcēja un izraisīt operatora elpceļu slimības.

IEVĒRĪBAI: Lai uzturētu optimālu iesūces jaudu un izpūstais gaiss būtu tīrs, regulāri tīriet filtru. Ja pietiekama iesūces jauda netiek panākta arī pēc filtra tīrīšanas, uzstādiat jaunu filtru.

IEVĒRĪBAI: Lai nesabojātu filtru, tīrīšanai nelietojiet saspiestu gaisu un/vai augstspiediena mazgātāju.

1. Atveriet pārsegu un izņemiet filtra maisu. Atlaidiet āķi uz filtra un izņemiet filtru no putekļsūcēja korpusa.

► **Att.29**

2. Izkratiet putekļus no filtra. Filtru var mazgāt ar ūdeni. Izskalojiet filtrā esošos putekļus un citas daļiņas ik pēc mēneša vai diviem. Pēc tam pilnībā izžāvējiet filtru ēnainā, labi vēdināmā vietā, lai nepieļautu nepatīkama smārda rašanos vai darbības kļūmes.

3. Lai uzstādītu filtru, turētājā ievietojiet daļu, kas ir bez atloka, un tad spiediet filtru uz leju, līdz atloku fiksē riba.

► **Att.30:** 1. Turētājs 2. Filtrs 3. Riba 4. Atloks

Putekļu maisa tīrīšana

Putekļu maisu regulāri mazgājiet ar ziepju ūdeni. Putekļu maisu izgrīzejiet uz otru pusi un izņemiet lipīgos putekļus. Viegli mazgājiet ar rokām un kārtīgi izskalojiet ūdenī. Vispirms putekļu maisu izžāvējiet un tikai tad ielieciet putekļsūcējā.

► **Att.31**

IEVĒRĪBAI: Mitri putekļu maisi samazina iesūkšanu un sašina motora darbību.

Lai saglabātu izstrādājuma DROŠU un UZTICAMU darbību, remontdarbus, apkopi un regulēšanu uzticiet veikt tikai Makita pilnvarotam vai rūpnīcas apkopes centram, un vienmēr izmantojiet tikai Makita rezerves daļas.

PAPILDU PIEDERUMI

⚠UZMANĪBU: Šādi piederumi un papildierīces tiek ieteiktas lietošanai ar šajā rokasgrāmātā aprakstīto Makita darbarīku. Izmantojot citus piederumus vai papildierīces, var tikt radīta trauma gūšanas bīstamība. Piederumu vai papildierīci izmantojiet tikai paredzētajam mērķim.

Ja jums vajadzīga palīdzība vai precīzāka informācija par šiem piederumiem, vērsieties savā tuvākajā Makita apkopes centrā.

- Šļūtene (putekļsūcējam)
- Šļūtene (putekļu nosūkšanai)
- Pagarinājuma caurule
- Brīvais uzgalis
- T formas uzgalis
- Uzgalis paklājam
- Plauktu suka
- Apaļā suka
- Filtra maiss
- Putekļu maiss
- Priekšējā uzrava
- Filtrs
- Makita oriģinālais akumulators un lādētājs

PIEZĪME: Daži sarakstā norādītie izstrādājumi var būt iekļauti instrumenta komplektācijā kā standarta piederumi. Tie dažādās valstīs var būt atšķirīgi.

SPECIFIKACIJOS

Modelis:		DVC260
Pajėgumas	Filtro maišelis	2,0 l
	Dulkių surinkimo maišelis	1,5 l
Didžiausias oro tūris		1,5 m ³ /min
Matmenys (l x P x A) (be žarnos)		230 mm x 152 mm x 373 mm
Vardinė įtampa		Nuol. sr. 36 V
Standartinė akumuliatoriaus kasetė		BL1815N, BL1820, BL1820B BL1830, BL1830B, BL1840, BL1840B, BL1850, BL1850B, BL1860B
Neto svoris (Vakuuminio valymo įrenginio tipas)		3,8 kg 4,3 kg

- Atliekame tęstinius tyrimus ir nuolat tobuliname savo gaminius, todėl čia pateikiamos specifikacijos gali būti keičiamos be įspėjimo.
- Įvairiose šalyse specifikacijos ir akumuliatoriaus kasetė gali skirtis.
- Svoris su akumuliatoriaus kasete pagal 2003-01 EPTA procedūrą

Simboliai

Toliau yra nurodyti įrangai naudojami simboliai. Prieš naudodami įsitikinkite, ar suprantate jų reikšmę.



Perskaitykite instrukcijų vadovą.



Nurodymas tik ES šalims
Neišmeskite elektros įrangos arba akumuliatoriaus bloko į buitinius šiukšlynus! Atsivėlgiant į ES direktyvas dėl elektros ir elektroninės įrangos atliekų, dėl baterijų ir akumuliatorių bei baterijų ir akumuliatorių atliekų ir šių direktyvų siekių įgyvendinimą pagal nacionalinius įstatymus, elektros įrangos ir baterijų bei akumuliatorių atliekas būtina surinkti atskirai nuo kitų buitinių atliekų ir atiduoti į antrinių žaliavų perdirbimo aplinkai nekenksmingu būdu punktą.

Numatytoji naudojimo paskirtis

Šis įrankis skirtas sausoms dulkėms surinkti. Šis įrankis tinkamas komerciniam naudojimui, pavyzdžiui, viešbučiuose, mokyklose, ligoninėse, gamyklose, parduotuvėse, biuruose ir nuomos verslo įmonėse.

Triukšmas

Įprastas triukšmo A lygis, nustatytas pagal 60332-2-69, 60704-2-1:

Garso slėgio lygis (L_{pA}): 70 dB (A) arba mažiau
Paklaida (K): 2,5 dB (A)

Dirbant triukšmo lygis gali viršyti 80 dB (A).

ĮSPĖJIMAS: Dėvėkite ausų apsaugą.

Vibracija

Vibracijos bendroji vertė (triašio vektorius suma) nustatyta pagal 60335-2-69 standartą:

Darbo režimas: lentų pjovimas

Vibracijos emisija (a_{h}): 2,5 m/s² arba mažiau

Paklaida (K): 1,5 m/s²

PASTABA: Paskelbtasis vibracijos emisijos dydis nustatytas pagal standartinį testavimo metodą ir jį galima naudoti vienam įrankiui palyginti su kitu.

PASTABA: Paskelbtasis vibracijos emisijos dydis taip pat gali būti naudojamas preliminariai įvertinti vibracijos poveikį.

ĮSPĖJIMAS: Faktiškai naudojant elektrinį įrankį, keliamos vibracijos dydis gali skirtis nuo paskelbtojo dydžio, priklausomai nuo būdų, kuriais yra naudojamas šis įrankis.

ĮSPĖJIMAS: Siekdami apsaugoti operatorių, būtina įvertinkite saugos priemones, remdamiesi vibracijos poveikio įvertinimu esant faktinėms naudojimo sąlygoms (atsivėlgdami į visas darbo ciklo dalis, pavyzdžiui, ne tik kiek laiko įrankis veikia, bet ir kiek kartų jis yra išjungiamas bei kai jis veikia be apkravų).

ES atitikties deklaracija

Tik Europos šalims

Bendrovė „Makita“ atsakingai pareiškia, kad šis įrenginys (-iai):

Mechanizmo pavadinimas: Akumuliatorinis nešiojamasis vakuuminis valymo įrenginys

Modelio Nr. / tipas: DVC260

Atitinka šias Europos direktyvas: 2006/42/EC

Yra pagaminti pagal šį standartą arba normatyvinius dokumentus: EN60335

Techninį dokumentą pagal 2006/42/EC gali gauti iš: Makita, Jan-Baptist Vinkstraat 2, 3070, Belgium (Belgija)



Yasushi Fukaya
Direktorius
Makita, Jan-Baptist Vinkstraat 2, 3070, Belgium
(Belgija)

SAUGOS ĮSPĖJIMAI

Saugos įspėjimai dėl akumulatorinio vakuuminio valymo įrenginio naudojimo

▲ ĮSPĖJIMAS: SVARBU: PRIEŠ PRADĖDAMI NAUDOTI, ATIDŽIAI PERSKAITYKITE visus saugos įspėjimus ir nurodymus. Nesilaikydami toliau pateiktų įspėjimų ir instrukcijų, galite patirti elektros smūgį, gaisrą ir (arba) sunkų sužeidimą.

- Prieš pradėdami naudoti, įsitikinkite, ar šį valymo įrenginį naudoja tik tie žmonės, kurie yra tinkamai išmokyti, kaip naudoti šį valymo įrenginį.
- Nenaudokite valymo įrenginio be filtro. Pažeistą filtrą nedelsdami pakeiskite nauju.
- Nebandykite susiurbti degių medžiagų, fejer-verkų, degančių cigarečių, karštų pelenų, įkaitusių metalo drožlių, aštrių daiktų, pavyzdžiui, skutimosi peiliukų, adatų, stiklo duženų ir pan.
- NIEKADA NENAUDOKITE VALYMO ĮRENGINIO ŠALIA BENZINO, DUJŲ, DAŽŲ, KLIJŲ ARBA KITŲ LABAI DEGIŲ MEDŽIAGŲ.** Įjungiant arba išjungiant jungiklį, kyla kibirkščių. Įrenginiui veikiant, kibirkščiuoja ir variklio srovės keitiklis. Gali kilti pavojingas sprogimas.
- Niekada nesiurbkite nuodingų, kancerogeninių, degių arba kitų pavojingų medžiagų, pavyzdžiui, asbesto, arseno, bario, berilio, švino, pesticidų ir kitų sveikatai pavojingų medžiagų.
- Niekada nenaudokite valymo įrenginio lauke lietui lyjant.
- Nenaudokite prie šilumos šaltinių (krosnių ir pan.).
- Neužblokuokite aušinimo angų. Šios ventiliacijos angos skirtos varikliui aušinti. Stenkitės jų neužblokuoti, kitaip dėl vėdinimo trūkumo perdegęs variklis.
- Visuomet tvirtai stovėkite ant žemės, išlaikykite pusiausvyrą.
- Nesulenkite, neįtempkite ir neatsistokite ant žarnos.
- Nedelsdami išjunkite valymo įrenginį, jeigu pastebėtumėte, jog jis prastai arba nejprastai veikia.
- ATJUNKITE VALYMO ĮRENGINĮ NUO AKUMULATORIAUS.** Kai jo nenaudojate, prieš atlikdami remonto arba techninės priežiūros darbus ir keisdami priedus.
- Norėdami, kad valymo įrenginys veiktų geriausiai, kiekvieną kartą jį panaudoję, nuvalykite ir atlikite techninę jo priežiūrą.
- TINKAMAI PRIŽIŪRĖKITE VALYMO ĮRENGINĮ.** Valymo įrenginys visuomet turi būti švarus, kad darbas vyktų geriau ir saugiau. Laikykitės priedų keitimo nurodymų. Rankenos turi būti švarios, sausos ir neišsteptos tepalu.
- PATIKRINKITE, AR NĖRA SUGEDUSIŲ DALIŲ.** Prieš toliau naudodami valymo įrenginį, atidžiai apžiūrėkite sugadintą apsauginį įtaisą ar kitą dalį ir nustatykite, ar ji veiks tinkamai ir atliks savo funkciją. Patikrinkite judančių dalių sulyginimą, suveržimą, ar nėra sulūžusių dalių, ar dalys tinkamai sumontuotos ir kitas sąlygas, kurios gali paveikti prietaiso veikimą. Sugadintą apsauginį įtaisą ar kitą dalį reikia tinkamai remontuoti arba pakeisti įgaliojajame techninės priežiūros centre, nebent šioje instrukcijoje nurodyta kitaip. Sugedusius jungiklius turi pakeisti įgaliojotasis priežiūros centras. Nenaudokite valymo įrenginio, jeigu jo jungiklis jo neįjungia arba neišjungia.
- ATSARGINĖS DALYS.** Prižiūrėdami naudokite tik identiškas atsargines dalis.
- VALYMO ĮRENGINYS TURI BŪTI LAIKOMAS IŠJUNGTAS.** Nenaudojamą valymo įrenginį privaloma laikyti patalpoje.
- Saugokite valymo įrenginį. Šiurkščiai naudojami, gali sugesti net ir tvirtiausi valymo įrenginiai.
- Nebandykite valyti išorinių arba vidinių dalių benzinu, tirpikliu arba cheminėmis valymo medžiagomis. Jos gali įtrūkti arba išblukti.
- Nenaudokite valymo įrenginio uždaroje patalpoje, kurioje yra degių, sprogių arba nuodingų garų, kuriuos skleidžia alejiniai dažai, dažų skiedikliai, benzinai, kai kuriais kandžių neėdamos medžiagos ir pan., arba tokiose vietose, kuriose yra degių dulkių.
- Nenaudokite valymo įrenginio, kai esate apsvaigę nuo narkotikų arba alkoholio.
- Pagrindinė saugos taisyklė: dėvėkite apsauginius darbo akinius arba apsauginius akinius su šoniniais skydeliais.
- Dirbdami dulkėtoje aplinkoje, dėvėkite respiratorių.
- Šis įrenginys nėra skirtas naudoti asmenims (įskaitant vaikus), turintiems fizinių, jutimo ar dviasios negalių arba stokojantiems patirties ir žinių.
- Prižiūrėkite mažus vaikus, kad jie nežaistų šiuo valymo įrenginiu.
- Niekada nelieskite akumulatoriaus ar valymo įrenginio šlapiomis rankomis.
- Būkite itin atsargūs, valydami laiptus.
- Nenaudokite šio valymo įrenginio vietoj kėdės arba darbastalio. Įrenginys gali nuvirsti ir sužeisti.

Techninė priežiūra

- Tegu jūsų elektrinio įrankio techninę priežiūrą atlieka kvalifikuotas remonto meistras, naudodamas tik identiškas atsargines dalis. Tai užtikrina, kad elektrinis įrankis liks saugus naudoti.
- Laikykitės instrukcijoje pateiktų nurodymų dėl tepimo ir priedų keitimo.
- Rankenos turi būti sausos, švarios ir neišsteptos tepalu.

Svarbios saugos instrukcijos, taikomos akumuliatoriaus kasetei

1. Prieš naudodami akumuliatoriaus kasetę, perskaitykite visas instrukcijas ir perspėjimus ant (1) akumuliatorių įkroviklio, (2) akumuliatorių ir (3) akumuliatorių naudojančio gaminio.
2. Neardykite akumuliatoriaus kasetės.
3. Jei įrankio darbo laikas žymiai sutrumpėjo, nedelsdami nutraukite darbą su įrankiu. Tai gali kelti perkaitimo, nudegimų ar net sprogmio pavojų.
4. Jei elektrolitas pateko į akis, plaukite jas tyru vandeniu ir nedelsdami kreipkitės į gydytoją. Gali kilti regėjimo praradimo pavojus.
5. Neužtrumpinkite akumuliatoriaus kasetės:
 - (1) Nelieskite kontaktų degiomis medžiagomis.
 - (2) Venkite laikyti akumuliatoriaus kasetę kartu su kitais metaliniais daiktais, pavyzdžiui, vinimis, monetomis ir pan.
 - (3) Saugokite akumuliatoriaus kasetę nuo vandens ir lietaus.Trumpasis jungimas akumuliatoriuje gali sukelti stiprią srovę, perkaitimą, galimus nudegimus ar net akumuliatoriaus gedimą.
6. Nelaikykite įrankio ir akumuliatoriaus kasetės vietoje, kur temperatūra gali pasiekti ar viršyti 50 °C.
7. Nedeginkite akumuliatoriaus kasetės, net jei yra stipriai pažeista ar visiškai susidėvėjusi. Ugnyje akumuliatoriaus kasetė gali sprogti.
8. Saugokite akumuliatorių nuo kritimo ir smūgių.
9. Nenaudokite pažeisto akumuliatoriaus.
10. Įdėtoms ličio jonų akumuliatoriams taikomi Pavojingų prekių teisės akto reikalavimai. Komeracinis transportas, pvz., trečiųjų šalių, prekių vežimo atstovų, turi laikytis specialaus reikalavimo ant pakuotės ir ženklavimo. Norėdami paruošti siųstiną prekę, pasitarkite su pavojingų medžiagų specialistu. Be to, laikykitės galimai išsamesnių nacionalinių reglamentų. Užklijuokite juosta arba padenkite atvirus kontaktus ir supakuokite akumuliatorių taip, kad ji pakuotėje nejudėtų.
11. Vadovaukitės vietos įstatymais dėl akumuliatorių išmetimo.

SAUGOKITE ŠIAS INSTRUKCIJAS.

⚠ PERSPĖJIMAS: Naudokite tik originalų „Makita“ akumuliatorių. Neoriginalaus „Makita“ arba pakeisto akumuliatoriaus naudojimas gali nulėmti gaisrą, asmens sužalojimą ir pažeidimą. Tai taip pat panaikina „Makita“ suteikiamą „Makita“ įrankio ir įkroviklio garantiją.

Patarimai, ką daryti, kad akumuliatorius veiktų kuo ilgiau

1. Pakraukite akumuliatoriaus kasetę prieš jai visiškai išsikraunant. Visuomet nustokite naudoti įrankį ir pakraukite akumuliatoriaus kasetę, kai pastebite, kad įrankio galia sumažėjo.

2. Niekada nekraukite iki galo įkrautos akumuliatoriaus kasetės. Perkraunant trumpėja akumuliatoriaus eksploatacijos laikas.
3. Akumuliatoriaus kasetę kraukite esant kambario temperatūrai 10 - 40 °C. Prieš pradėdami krauti, leiskite įkautusiai akumuliatoriaus kasetei atvėsti.
4. Įkraukite akumuliatoriaus kasetę, jei jos nenaudojate ilgą laiką (ilgiau nei šešis mėnesius).

VEIKIMO APRAŠYMAS

⚠ PERSPĖJIMAS: Prieš pradėdami reguliuoti arba tikrinti įrankio veikimą, visuomet būtina išjunkite įrankį ir išimkite akumuliatoriaus kasetę.

Akumuliatoriaus kasetės uždėjimas ir nuėmimas

⚠ PERSPĖJIMAS: Prieš įdėdami arba išimdami akumuliatoriaus kasetę, visada išjunkite įrankį.

⚠ PERSPĖJIMAS: Įdėdami arba išimdami akumuliatoriaus kasetę, tvirtai laikykite įrankį ir akumuliatoriaus kasetę. Jeigu įrankį ir akumuliatoriaus kasetę laikysite netvirtai, jie gali išslįsti iš jūsų rankų, todėl įrankis ir akumuliatoriaus kasetė gali būti sugadinti, o naudotojas sužalotas.

► **Pav. 1:** 1. Raudonas indikatorius 2. Mygtukas 3. Akumuliatoriaus kasetė

Jei norite išimti akumuliatoriaus kasetę, ištraukite ją iš įrankio, stumdami mygtuką, esantį kasetės priekyje.

Jei norite įdėti akumuliatoriaus kasetę, sulgyjuokite liežuvelį ant akumuliatoriaus kasetės su grioveliu korpusė ir įstumkite į jai skirtą vietą. Įdėkite iki galo, kol spragtelėdama užsifiksuos. Jeigu matote raudoną indikatorius viršutinėje mygtuko pusėje, ji nėra visiškai užfiksuota.

⚠ PERSPĖJIMAS: Akumuliatoriaus kasetę visada įkiškite iki galo, kol nebematysite raudono indikatorius. Priešingu atveju ji gali atsitiktinai iškristi iš įrankio, sužeisti jus arba aplinkinius.

⚠ PERSPĖJIMAS: Nekiškite akumuliatoriaus kasetės įėga. Jeigu kasetė sunkiai lenda, ją kiškite netinkamai.

Įrankio / akumuliatoriaus apsaugos sistema

Įrankyje įrengta įrankio / akumuliatoriaus apsaugos sistema. Ši sistema automatiškai atjungia variklio maitinimą, kad įrankis ir akumuliatorius ilgiau veiktų. Įrankis automatiškai išsijungs darbo metu esant vienai iš toliau nurodytų įrankio arba akumuliatoriaus darbo sąlygų. Esant tam tikroms sąlygoms užsidega indikatoriai.

Apsauga nuo perkrovos

Kai įrankis naudojamas taip, kad neįprastai padidėja elektros srovė, įrankis automatiškai išsijungia be jokių indikatorius įspėjimų. Tokiu atveju atleiskite įrankio gaiduką ir nutraukite darbą, dėl kurio kilo įrankio perkrova. Po to vėl įjunkite įrankį.

Apsauga nuo perkaitimo

Įrankiui perkaitus, jis automatiškai išsijungia. Prieš vėl jungdami įrankį, leiskite jam atvėsti.

Apsauga nuo visiško išsikrovimo

Žymiai sumažėjus akumuliatoriaus galiai, įrankis automatiškai išsijungia. Jeigu gaminyje neveikia net ir spaudžiant jungiklius, išimkite akumuliatorių iš įrankio ir įkraukite.

Likusios akumuliatoriaus galios rodymas

Tik akumuliatoriaus kasetėms su indikatoriumi

► **Pav.2:** 1. Indikatorių lemputės 2. Tikrinimo mygtukas

Paspauskite akumuliatoriaus kasetės tikrinimo mygtuką, kad būtų rodoma likusi akumuliatoriaus energija. Maždaug trims sekundėms užsidegs indikatorių lemputės.

Indikatorių lemputės			Likusi galia	
Šviečia	Nešviečia	Blyksi		
				75 - 100 %
				50 - 75 %
				25 - 50 %
				0 - 25 %
				Įkraukite akumuliatorių.
			Galimai įvyko akumuliatoriaus veikimo triktis.	

PASTABA: Rodmuo gali šiek tiek skirtis nuo faktinės energijos lygio – tai priklauso nuo naudojimo sąlygų ir aplinkos temperatūros.

Jungiklių dėžutės padėtis

Jungiklių dėžutę galima prikabinti prie apatinio diržo iš abiejų pusių. Laidą nukreipkite taip, kad jungiklių dėžutė būtų norimoje pusėje. Kad apsaugotumėte laidą nuo pažeidimų, prakiškite jį per kablj, kaip pavaizduota iliustracijoje.

► **Pav.3:** 1. Kablys 2. Laidas

Diržų reguliavimas

Galima reguliuoti pečių diržus, viršutinį ir apatinį diržus. Pirma įkiškite rankas pro pečių diržus ir tuomet suverkite viršutinį ir apatinį diržus. Norėdami priveržti, patraukite už diržo galo, kaip parodyta. Norėdami atlaisvinti, pakelkite užveržiklio galą į viršų.

Pečių diržai

► **Pav.4:** 1. Dirželis 2. Fiksatorius

Viršutinis diržas

► **Pav.5:** 1. Dirželis 2. Fiksatorius

Apatinis diržas

► **Pav.6:** 1. Dirželis 2. Fiksatorius

Nešiojimo kablys

Visuomet laikykite už nešimo kablio, kai dirbate su vakuuminio valymo įrenginio korpusu.

► **Pav.7:** 1. Nešiojimo kablys

Ilginimo lazdelė

Tik vakuuminio valymo įrenginio tipui

Ilginimo lazdelės ilgį galima reguliuoti. Atlaisvinkite lazdelės žiedą ir reguliuokite lazdelės ilgį. Nustatę norimą ilgį, priveržkite žiedą.

► **Pav.8:** 1. Žiedas

Jungiklio veikimas

Norėdami pradėti siurbti, paspauskite mygtuką vieną kartą. Vakuuminis valymo įrenginys pradės veikti didesne siurbimo galia (2). Norėdami sumažinti siurbimo galią, dar kartą paspauskite mygtuką . Vakuuminis valymo įrenginys veiks įprasta siurbimo galia (1). Jei paspausite mygtuką, kol veikia vakuuminis valymo įrenginys, siurbimo galia persijungs tarp aukštesnės ir įprastinės. Norėdami išjungti vakuuminį valymo įrenginį, paspauskite mygtuką .

► **Pav.9**

LED lemputė

LED lemputė sumontuota jungiklių dėžutės viršuje, kad dirbti tamsioje būtų paprasčiau. Norėdami įjungti lemputę, paspauskite mygtuką . Norėdami išjungti, dar kartą paspauskite mygtuką .

► **Pav.10**

⚠ PERSPĖJIMAS: Nežiūrėkite tiesiai į šviesą arba šviesos šaltinį. Niekada nenukreipkite šviesos kitiems žmonėms į akis.

PASTABA: LED lemputė išsijungia automatiškai, kai vakuuminio valymo įrenginiu nesinaudojama 10 minučių.

PASTABA: Vakuuminis valymo įrenginys išsijungia automatiškai ir pradeda mirksėti LED lemputė, kai vakuuminis valymo įrenginys perkaista dėl sumažėjusios oro tėkmės į įrenginį dėl užsikimšusios žarnos, vamzdžio, užsikimšusio filtro ar kitų priežasčių.

Žarnos tvirtinimo juostelė

Žarnos tvirtinimo juostele galima pritvirtinti lazdelę ar nenaudojamą antgalį.

Norėdami pritvirtinti lazdelę prie vakuuminio valymo įrenginio korpuso, prakiškite žarnos tvirtinimo juostelę pro angą korpusu. Žarnos tvirtinimo juostelę galite pritvirtinti bet kurioje pusėje.

► **Pav.11:** 1. Žarnos tvirtinimo juostelė 2. Anga 3. Ilginimo lazdelė

Norėdami pritvirtinti nenaudojamą antgalį prie apatinio diržo, prakiškite žarnos tvirtinimo juosteles pro kilpą apatiniame dirže.

- **Pav.12:** 1. Žarnos tvirtinimo juostelė
2. Nenaudojamas antgalis

Žarnos kabliukas

Tik vakuuminio valymo įrenginio tipui

Kai pristabdote veikimą, ant žarnos kabliuko galite pakabinti lazdelę ant apatinio diržo.

- **Pav.13**

SURINKIMAS

▲PERSPĖJIMAS: Prieš darydami ką nors įrankiui visada patikrinkite, ar įrenginys išjungtas, o akumuliatorių kasetė – nuimta.

Žarnos surinkimas

Įkiškite žarnos antgalį į vakuuminio valymo įrenginio korpusą ir pasukite pagal laikrodžio rodyklę.

- **Pav.14:** 1. Žarnos antgalis 2. Vakuuminio valymo įrenginio korpusas

Lazdelės ir antgalio sujungimas

Tik vakuuminio valymo įrenginio tipui

Antgalį prijunkite prie ilginimo lazdelės. Tada užsidėkite ant pečių vakuuminio valymo įrenginio korpusą ir prie žarnos prijunkite ilginimo lazdelę.

Ilginimo lazdelės ir antgalio sujungimas

- **Pav.15:** 1. Ilginimo lazdelė 2. Nenaudojamas antgalis 3. „T“ formos antgalis

Žarnos ir ilginimo lazdelės sujungimas

- **Pav.16:** 1. Žarna 2. Ilginimo lazdelė 3. Laisvas antgalis

PASTABA: Laisvą antgalį galima tiesiogiai prijungti prie žarnos.

Įrankio prijungimas

Tik dulkių ištraukimo tipui

Prijunkite priekinį žarnos antgalį prie įrankio dulkių ištraukimo angos.

- **Pav.17:** 1. Priekinis antgalis 2. Dulkių ištraukimo anga

Visada naudokite tinkamą priekinį antgalį. Priekinį antgalį galima nuimti sukant jį prieš laikrodžio rodyklę ir laikant žarną. Jungdami įsitinkite, kad priekinis antgalis tvirtai prisuktas prie žarnos.

- **Pav.18:** 1. Žarna 2. Priekinis antgalis

Naudodami 24-ą priekinį antgalį, įkiškite jį į 22-ą priekinį antgalį, kuris yra prijungtas prie žarnos.

- **Pav.19:** 1. 22-as priekinis antgalis 2. 24-as priekinis antgalis

Filtro maišelio uždėjimas

▲PERSPĖJIMAS: Nenaudokite sugadinto filtro maišelio. Vakuuminio valymo įrenginiu naudokitės tik tinkamai uždėję filtro maišelį. Kitu atveju susiurbtas dulkes arba smulkias daleles valymo įrenginys gali išmesti į išorę, o tai gali sukelti respiratorinių ligų juo besinaudojančiam asmeniui.

PASTABA: Jeigu filtro maišelis jau pilnas, pakeiskite jį nauju. Jei filtro maišelis yra pilnas, naudojantis įrankiu sumažės siurbimo galia.

1. Atidarykite skląstį, pakeldami apatinę dalį. Stumkite dalį su iškilimais, kad pakeltumėte priekinę pritvirtintą dalį. Dangtį atidarysite pastūmę skląstį.

- **Pav.20:** 1. Kablys 2. Dangtis

2. Įdėkite filtro maišelį į angą viršutinėje skyriaus dalyje, kaip parodyta.

- **Pav.21:** 1. Skyrius 2. Filtro maišelis / dulkių maišelis

Jeigu naudojate dulkių maišelį (papildomas priedas), įstatykite dulkių maišelio briauną į išpjovą.

- **Pav.22:** 1. Išpjova 2. Briauna

3. Sulygiuokite filtro maišelio angą su žarnos antgaliumi ir dalį su kartonu stumkite iki galo. Įsitinkite, ar filtro maišelio guminis žiedas apima žarnos antgalio kraštą.

- **Pav.23:** 1. Filtro maišelio guminis žiedas 2. Žarnos antgalio kraštas 3. Filtro maišelio kartoninė dalis 4. Žarnos antgalis

NAUDOJIMAS

▲ISPĖJIMAS: Naudotojai privalo tinkamai susipažinti, kaip naudoti vakuuminį valymo įrenginį.

▲ISPĖJIMAS: Šis vakuuminis valymo įrenginys nėra tinkamas pavojingoms dulkelėms surinkti.

▲PERSPĖJIMAS: Šis valymo įrenginys skirtas tik valyti sausiai.

▲PERSPĖJIMAS: Šis valymo įrenginys skirtas naudoti tik patalpose.

▲PERSPĖJIMAS: Visuomet iki galo įkiškite akumuliatoriaus kasetę, kad tinkamai užsifikuotų. Jeigu matote raudoną indikatorius viršutinėje mygtuko pusėje, ji nėra visiškai užfiksuota. Įstumkite ją iki galo tol, kol nebeatysite raudono indikatoriaus. Priešingu atveju ji gali atsitiktinai iškristi iš įrankio, sužeisti jus arba aplinkinius.

1. Užsidėkite vakuuminio valymo įrenginio korpusą ant pečių ir suveržkite viršutinį ir apatinį diržus. Jei reikia, pareguliuokite suveržimą.

- **Pav.24**

2. Norėdami pradėti siurbti, paspauskite mygtuką ⁽²⁾. Norėdami sumažinti siurbimo galią, dar kartą paspauskite mygtuką ⁽²⁾. Norėdami sustabdyti, paspauskite mygtuką ⁽⁰⁾.

- **Pav.25**

Dirbdami prikabinkite jungiklių dėžutę ant apatinio diržo. Kabliuką galima pasukti, kad būtų šviečiama į priekį.

► **Pav.26**

PASTABA: Vakuuminis valymo įrenginys išsijungia automatiškai ir pradeda mirksėti LED lemputė, kai vakuuminis valymo įrenginys perkaista dėl sumažėjusio oro tėkmės į įrenginį dėl užsikimšusios žarnos, vamzdžio, užsikimšusio filtro ar kitų priežasčių. Tokiu atveju pašalinkite problemos priežastį ir prieš tęsdami darbą, atvėsinkite vakuuminį valymo įrenginį.

3. Pakeiskite popierinį maišelį, kai jis prisipildo. Atidarykite dangtį ir išimkite filtro maišelį. Patraukite už juostelės, esančios šalia angos, kad uždarytumėte filtro maišelį ar galetumėte jį visą išmesti.

► **Pav.27:** 1. Juostelė

Naudodami dulkių maišelį (papildomas priedas), išimkite jį ir išmeskite dulkes atidarydami skląstį.

► **Pav.28:** 1. Skląstis

PASTABA: Reguliariai patikrinkite filtro maišelį, ar jis neprisipildė. Jei filtro maišelis yra pilnas, naudojan-tis įrankiu sumažės siurbimo galia.

PASTABA: Nenaudokite kartą jau naudoto filtro maišelio. Filtro maišelis skirtas naudoti tik vieną kartą. Jei norite maišelį naudoti kelis kartus, naudokite dulkių maišelį (papildomas priedas).

TECHNINĖ PRIEŽIŪRA

⚠ PERSPĖJIMAS: Visuomet įsitikinkite, ar įrankis yra išjungtas ir akumuliatoriaus kasetė yra nuimta prieš atlikdami apžiūrą ir priežiūrą.

PASTABA: Niekada nenaudokite gazolino, benzino, tirpiklio, spirito arba panašių medžiagų. Gali atsirasti išblukimų, deformacijų arba įtrūkimų.

Filtro valymas

⚠ PERSPĖJIMAS: Nenaudokite vakuuminio valymo įrenginio be filtro ir nenaudokite įrenginio, jei filtras nešvarus ar pažeistas. Susiurbtas dulkes arba smulkias daleles valymo įrenginys gali išmesti į išorę, o tai gali sukelti respiratorinių ligų juo besinaudojančiam asmeniui.

PASTABA: Norėdami išlaikyti optimalią siurbimo galią ir kad išmetamas oras būtų švarus, valykite filtrą reguliariai. Jei siurbimo galia nėra pakankama net ir išvalius filtrą, pakeiskite jį nauju.

PASTABA: Norėdami apsaugoti filtrą nuo pažeidimų, nenaudokite suspausto oro purškiklių ir (arba) valymo įrangos su aukšto slėgio oru.

1. Atidarykite dangtį ir išimkite filtro maišelį. Atlaisvinkite filtro kabliuką ir išimkite filtrą iš vakuuminio valymo įrenginio korpuso.

► **Pav.29**

2. Nuvalykite dulkes nuo filtro. Filtrą galima plauti vandeniu. Nuskalaukite nuo filtro dulkes ir smulkias daleles kas 1–2 mėnesius. Tada išdžiovinkite filtrą pavėsyje, gerai vėdinamoje vietoje, kad neatsirastų nemalonių kvapų ar pažeidimų.

3. Norėdami įstatyti filtrą, įkiškite jį ta puse, kurioje nėra sklendės, į laikiklį, tada paspauskite filtrą žemyn, kol briaunelė užfiksuos sklendę.

► **Pav.30:** 1. Laikiklis 2. Filtras 3. Briaunelė 4. Sklendė

Dulkių maišelio valymas

Reguliariai plaukite dulkių maišelį muilu ir vandeniu. Išverskite dulkių maišelį išvirkščia puse ir nukrapštykite prilipusias dulkes. Lengvai nuplaukite rankomis ir gerai išskalaukite vandeniu. Prieš vėl įdėdami į dulkių siurblią, visiškai išdžiovinkite.

► **Pav.31**

PASTABA: Jeigu dulkių maišelis drėgnas, sumažėja siurbimo pajėgumas ir variklio eksploataavimo laikas.

Kad gaminys būtų SAUGUS ir PATIKIMAS, jį taisyti, apžiūrėti ar vykdyti bet kokią kitą priežiūrą ar derinimą turi įgaliotasis kompanijos „Makita“ techninės priežiūros centras; reikia naudoti tik kompanijos „Makita“ pagamintas atsarginės dalis.

PASIRENKAMI PRIEDAI

⚠ PERSPĖJIMAS: Šiuos papildomus priedus arba įtaisus rekomenduojama naudoti su šioje instrukcijoje nurodytu „Makita“ bendrovės įrankiu. Naudojant bet kokius kitus papildomus priedus arba įtaisus, gali kilti pavojus sužeisti žmones. Naudokite tik nurodytam tikslui skirtus papildomus priedus arba įtaisus.

Jeigu norite daugiau sužinoti apie tuos priedus, kreipkitės į artimiausią „Makita“ techninės priežiūros centrą.

- Žarna (vakuuminio valymo įrenginio tipo)
- Žarna (dulkių ištraukimo tipo)
- Ilginimo lazdelė
- Nenaudojamas antgalis
- „T“ formos antgalis
- Antgalis kilimams valyti
- Šepetėlis lentynoms valyti
- Apvalus šepetėlis
- Filtro maišelis
- Dulkių surinkimo maišelis
- Priekinis antgalis
- Filtras
- Originalus „Makita“ akumuliatorius ir įkroviklis

PASTABA: Kai kurie sąraše esantys priedai gali būti pateikti įrankio pakuotėje kaip standartiniai priedai. Jie įvairiose šalyse gali skirtis.

TEHNILISED ANDMED

Mudel:		DVC260	
Mahutavus	Filterkott	2,0 l	
	Tolmukott	1,5 l	
Maksimaalne õhukogus		1,5 m ³ /min	
Mõõtmed (P × L × K) (v.a. rakmed)		230 mm x 152 mm x 373 mm	
Nimipinge		Alalisvool 36 V	
Standardne akukassett		BL1815N, BL1820, BL1820B	BL1830, BL1830B, BL1840, BL1840B, BL1850, BL1850B, BL1860B
Netokaal (Tolmuimejatüüp)		3,8 kg	4,3 kg

- Meie pideva uuringu- ja arendusprogrammi tõttu võidakse tehnilisi andmeid muuta ilma sellest ette teatamata.
- Tehnilised andmed ja akukassett võivad riigiti erineda.
- Kaal koos akukassetiga, EPTA-protseduuri 01/2003 kohaselt

Sümbolid

Alljärgnevalt kirjeldatakse seadmetel kasutatavaid tingimärke. Veenduge, et olete nende tähendusest aru saanud enne seadme kasutamist.



Lugege juhendit.



Ainult Euroopa riigid
Ärge visake elektriseadmeid ja akusid ära koos majapidamisprügiga! Kooskõlas Euroopa Parlamendi ja nõukogu direktiividega elektri- ja elektroonikaseadmete jäätmete, patareide ja akude, patarei- ja akujäätmete kohta ning liikmesriikide seadustega tuleb kasutuskõlbmatuks muutunud elektriseadmed ja akud koguda eraldi ning keskkonnasäästlikult ringlusse võtta.

MÄRKUS: Deklareeritud vibratsiooniheite väärtus on mõõdetud kooskõlas standardse testimismeetodiga ning seda võib kasutada ühe seadme võrdlemiseks teisega.

MÄRKUS: Deklareeritud vibratsiooniheite väärtust võib kasutada ka mürataseme esmaseks hindamiseks.

▲HOIATUS: Vibratsioonitase võib elektritööriista tegelikkuses kasutamise ajal erineda deklareeritud väärtusest olenevalt tööriista kasutamise viisidest.

▲HOIATUS: Rakendage operaatori kaitsmiseks kindlasti piisavaid ohutusabinõusid, mis põhinevad hinnangulisel müratasemel tegelikus töösuutisoonis (võttes arvesse tööperioodi kõiki osasid, nagu näiteks korrad, kui seade lülitatakse välja ja seade töötab tühikäigul, lisaks tööajale).

Kavandatud kasutus

Tööriist on ette nähtud tolmu kogumiseks. Seade sobib teenuste pakkumiseks nt hotellides, koolides, haiglates, tehastes, kauplustes, kontorites ja rendipindadel.

Müra

Tüüpiiline A-korrigeeritud müratase, määratud standardi 60332-2-69, 60704-2-1 kohaselt:

Helirõhutase (L_{pA}): 70 dB (A) või vähem
Määramatus (K): 2,5 dB (A)

Töötamisel võib müratase ületada 80 dB (A).

▲HOIATUS: Kasutage kõrvakaitsmeid.

Vibratsioon

Vibratsiooni koguväärtus (kolmeteljeliste vektorite summa) määratud standardi 60335-2-69 kohaselt:
Töörežiim: laudade saagimine
Vibratsiooniheide (a_n): 2,5 m/s² või vähem
Määramatus (K): 1,5 m/s²

EÜ vastavusdeklaratsioon

Ainult Euroopa riikide puhul

Makita deklareerib, et alljärgnev(ad) masin(ad):
Masina nimetus: Juhtmeta seljakott-tolmuimeja
Mudeli nr/tüüp: DVC260

Vastavad alljärgnevatele Euroopa Parlamendi ja Nõukogu direktiividele: 2006/42/EC
Need on toodetud järgmistele standardite või standardiseeritud dokumentide kohaselt: EN60335

Tehniline fail, mis on kooskõlas direktiiviga 2006/42/EC, on saadaval ettevõttes:

Makita, Jan-Baptist Vinkstraat 2, 3070, Belgia
8.9.2015

Yasushi Fukaya
Direktor
Makita, Jan-Baptist Vinkstraat 2, 3070 Belgia

OHUTUSHOIATUSED

Juhtmeta tolmuimeja ohutusnõuded

⚠ HOIATUS: ÄÄRMISELT OLULINE ON ENNE KASUTAMIST lugeda tähelepanelikult läbi kõik ohutushoiatused ja juhised. Hoiatuste ja juhtnõu-ride mittejärgmine võib põhjustada elektrišokki, tulekahju ja/või tõsiseid vigastusi.

1. Kõik tolmuimejaga töötavad isikud peavad saama enne seadme kasutamist piisava väljaõppe.
2. Ärge kasutage tolmuimeajat ilma filtrita. Vahetage kahjustunud filter kohe välja.
3. Ärge püüdke tolmuimejaga imeda tuleohtlikke materjale, pürotehnilisi aineid, süüdatud sigarette, kuuma tuhka, kuumi metalliaste, teravaid esemeid (nt žiletiterad, nõelad, klaasikillud jms).
4. **ÄRGE KASUTAGE TOLMUIMEAJAT BENSIINI, GAASI, VÄRVI VÕI TEISTE PLAHVATUSOHTLIKE AINETE LÄHEDUSES.** Lülitil keeramisel SISSE või VÄLJA tekivad säde- med. Ka mootori kommutaator eraldab töötamise ajal sädemeid. Selle tagajärjel võib tekkida ohtlik plahvatus.
5. Ärge kunagi imege tolmuimejasse mürgiseid, kantserogeenseid, süttivaid ega muid tervisele ohtlikke aineid (nt arseen, baarium, berüllium, plii, pestitsiidid jms).
6. Ärge kunagi kasutage tolmuimeajat õues vihma käes.
7. Ärge kasutage soojusallikate (ahjud jms) läheduses.
8. Ärge tõkestage jahutusavasid. Jahutusavade kaudu jahutatakse mootorit. Jälgige hoolikalt, et avad ei oleks tõkestatud, sest muidu võib mootor ventilatsiooni puudumise tõttu läbi põleda.
9. Hoidke jalad kogu aeg kindlalt maas ja hoidke tasakaalu.
10. Ärge murdke voolikut kokku ega tirige seda.
11. Seisake tolmuimeja kohe, kui märkate seadme jõudluse vähenemist või muid tõrkeid.
12. **EEMALDAGE AKUD.** Tolmuimeja tuleb voolu- allikast eemaldada, kui seda ei kasutata, ning enne hooldamist ja tarvikute vahetamist.
13. Puhastage ja hooldage tolmuimeajat kohe pärast igat kasutust, et seade oleks alati lait- matus töökorras.
14. **HOOLITSEGE OMA TOLMUIMEJA EEST.** Hoidke tolmuimeajat puhtana, et tagada parem ja ohutum töötamine. Jälgige tarvikute vahe- tamise juhtnõore. Hoidke käed kuivad, puhtad ning õli- ja rasvavabad.
15. **KONTROLLIGE KAHJUSTUNUD KOMPONENTE.** Enne tolmuimeja edasist kasu- tamist tuleb hoolikalt kontrollida kahjustatud kaitset või muud seadme osa, et teha kindlaks, kas see töötab edaspidi nõuetekohaselt ja täi- dab oma otstarvet. Kontrollige liikuvate osade tsentreeringut, liikuvate osade kokkujooksu,

purunenud osi, osade paigaldust ja muid tingi- musi, mis võivad mõjutada tolmuimeja funktsioneerimist. Kahjustatud kaitse või seadme muu osa tuleb nõuetekohaselt parandada või vahetada välja volitatud teeninduskeskuses, kui kasutusjuhendis ei ole soovitatud teisiti. Laske defektsed lülid vahetada välja volitatud teeninduskeskuses. Ärge kasutage tolmu- imeajat, kui selle lüliti ei lülita seadet sisse ega välja.

16. **VARUOSAD.** Kasutage osade väljavahetami- seks ainult originaalvaruosi.
17. **TOLMUIMEJA HOIUSTAMINE.** Kui tolmu- imeajat ei kasutata, tuleb seda hoiustada sisetingimustes.
18. Käsitsege oma tolmuimeajat hoolikalt. Jõuline käsitsemine võib põhjustada isegi kõige tugevama konstruktsiooniga tolmuimeja purunemise.
19. Ärge puhastage tolmuimeja sisemust ega pea- lispinda bensiini, lahusti või keemiliste puhas- tusvahenditega. See võib põhjustada pragude tekkimist ning värvuse luitumist.
20. Ärge kasutage tolmuimeajat kinnises ruumis, kus võib esineda õlipõhisest värvist, värvive- deldist, bensiinist, teatud koi-õõrvahenditest jms ainetest tingitud tule- või plahvatusoht- likke või mürgiseid aursid, ega piirkondades, kus on kergesti süttivat tolmu.
21. Ärge kasutage tolmuimeajat, kui olete ravimite või alkoholi mõju all.
22. Järgige ohutuse põhinõuet ja kasutage külje- kaitsemega kaitseprille.
23. Tolmuste töötingimuste korral kandke tolmutumaski.
24. Seade ei ole ette nähtud kasutamiseks füüsi- liste, sensoorsete või vaimsete puuetega isiku- tele (k.a lapsed) ega isikutele, kellel puuduvad kogemused ja teadmised seadme ohutuks kasutamiseks.
25. Lastel ei tohi lubada tolmuimejaga mängida.
26. Ärge kunagi käsitsege akusid ega tolmuimeajat märgade kätega.
27. Treppide puhastamisel olge äärmiselt ettevaatlik.
28. Ärge kasutage tolmuimeajat toolina ega pin- gina. Masin võib ümber kukkuda ning tekitada kehavigastusi.

Hooldus

1. Laske elektritööriista hooldada eksperdil, kes kasutab vaid originaalvaruosi. Siis püsib elektri- tööriista ohutus.
2. Järgige õlitamist ja tarvikute vahetamist puu- dutavaid juhtnõore.
3. Hoidke käed kuivad, puhtad ning õli- ja rasvavabad.

Akukassetiga seotud olulised ohutusjuhised

1. Enne akukasseti kasutamist lugege (1) akulaa- dijalt, (2) akul ja (3) seadmel olevad juhtnõõrid ja hoiatused läbi.
2. Ärge võtke akukassetti lahti.

- Kui tööaeg järsult lüheneb, siis lõpetage kohe kasutamine. Edasise kasutamise tulemuseks võib olla ülekuumenemisoht, võimalikud põletused või isegi plahvatus.
- Kui elektrolüüti satub silma, siis loputage silma puhta veega ja pöörduge koheselt arsti poole. Selline õnnetus võib põhjustada pimedaksjäämist.

- Ärge tekitage akukassetis lühist:
 - Ärge puutuge klemme elektrijuhtidega.
 - Ärge hoidke akukasseti tööriistakastis koos metallesemetega, nagu naelad, mündid jne.
 - Ärge tehke akukasseti märjaks ega jätke seda vihma kätte.

Aku lühis võib põhjustada tugevat elektri-voolu, ülekuumenemist, põletusi ning ka seadet tõsiselt kahjustada.

- Ärge hoidke tööriista ja akukasseti kohtades, kus temperatuur võib tõusta üle 50 °C.
- Ärge põletage akukasseti isegi siis, kui see on saanud tõsiselt vigastada või on täiesti kulu- nud. Akukassetit võib tules plahvatada.
- Olge ettevaatlik, ärge laske akul maha kukkuda ja vältige lööke.
- Ärge kasutage kahjustatud akut.
- Sisalduvatele liitium-ioonakudele võib avaldada ohtlike kaupade õigusaktide nõude- d. Kaubanduslikul transportimisel, näiteks kolman- date poolte või transpordiettevõtete poolt, tuleb järgida pakendil ja siltidel toodud erinõudeid. Transportimiseks ettevalmistamisel on vajalik pida- da nõu ohtliku materjali eksperdiga. Samuti tuleb järgida võimalike riiklike regulatsioonide üksikasjalikumaid nõudeid. Katke teibiga või varjake avatud kontaktid ja pakendage aku selliselt, et see ei saaks pakendis liikuda.
- Järgige kasutusõhblmatuks muutunud aku käitlemisel kohalikke eeskirju.

HOIDKE JUHEND ALLES.

⚠ETTEVAATUST: Kasutage ainult Makita originaalakusid. Mitte Makita originaalakude või muudetud akude kasutamine võib põhjustada akude süttimise, kehavigastuse ja kahjustuse. Samuti muu- dab see kehtetuks Makita tööriista ja laadija Makita garantii.

Vihjeid aku maksimaalse kasu- tustaja tagamise kohta

- Laadige akukasseti enne selle täielikku tühjenemist. Kui märkate, et tööriist töötab väiksema võimsusega, peatage töö ja laadige akukasseti.
- Ärge laadige täielikult laetud akukasseti. Ülelaadimine lühendab akude kasutusiga.
- Laadige akukasseti toatemperatuuril 10 °C - 40 °C. Enne laadimist laske kuumenenud aku- kassetil maha jahtuda.
- Kui te ei kasuta akukasseti kauem kui kuus kuud, laadige see.

FUNKTSIONAALNE KIRJELDUS

⚠ETTEVAATUST: Kandke alati hoolt selle eest, et tööriist oleks enne reguleerimist ja kontrolli- mist välja lülitatud ja akukasset eemaldatud.

Akukasseti paigaldamine või eemaldamine

⚠ETTEVAATUST: Lülitage tööriist alati enne akukasseti paigaldamist või eemaldamist välja.

⚠ETTEVAATUST: Akukasseti paigaldamisel või eemaldamisel tuleb tööriista ja akukasseti kindlalt paigal hoida. Kui tööriista ja akukasseti ei hoita kindlalt paigal, võivad need käest libiseda ning kahjustada tööriista ja akukasseti või põhjustada kehavigastusi.

► Joon.1: 1. Punane näidik 2. Nupp 3. Akukasset

Akukasseti eemaldamiseks libistage see tööriista kül- jest lahti, vajutades kasseti esiküljel paiknevat nuppu alla.

Akukasseti paigaldamiseks joondage akukasseti keel korpuse soonega ja libistage kasseti oma kohale. Paigaldage akudapter alati nii kaugele, et see lukus- tuks klõpsatusega oma kohale. Kui näete nupu ülaosas punast osa, pole kasset täielikult lukustunud.

⚠ETTEVAATUST: Paigaldage akukasset alati täies ulatuses nii, et punast osa ei jääks näha. Muidu võib adapter juhuslikult tööriistast välja kuk- kuda ning põhjustada teile või läheduses viibivatele isikutele vigastusi.

⚠ETTEVAATUST: Ärge rakendage akukasseti paigaldamisel jõudu. Kui kasset ei lähe kergesti sisse, pole see õigesti paigaldatud.

Tööriista/aku kaitstesüsteem

Tööriist on varustatud tööriista või aku kaitstesüsteemiga. Süsteem lülitab mootori automaatselt välja, et pikendada tööriista ja aku tööiga. Tööriist seiskub käitamise ajal automaatselt, kui tööriista või aku kohta kehtib üks järgmistest tingimustest. Teatud tingimustes hakkavad indikaatorid põlema.

Ülekoormuskaitse

Kui tööriista kasutamise käigus hakkab see tarbima ebaharilikult palju voolu, peatub tööriist automaatselt ilma igasuguse signaalita. Sellisel juhul lülitage tööriist välja ning lõpetage tööriista ülekoormuse põhjustanud tegevus. Pärast seda käivitage tööriist uuesti.

Ülekuumenemiskaitse

Kui tööriist on ülekuumenenud, seiskub tööriist auto- maatselt. Laske tööriistal maha jahtuda, enne kui selle uuesti sisse lülitate.

Ülelaadimiskaitse

Kui aku laetuse tase on madal, siis seiskub tööriist automaatselt. Kui seade ei hakka tööle ka lülitite kasutamisel, eemaldage tööriistast akud ja laadige neid.

Aku jäämahutavuse näit

Ainult näidikuga akukassettidele

► **Joon.2:** 1. Märgulambid 2. Kontrollimise nupp

Akukasseti järelejäänud mahutavuse kontrollimiseks vajutage kontrollimise nuppu. Märgulambid süttivad mõneks sekundiks.

Märgulambid			Jäämahutavus
Pöleb	Ei põle	Vilgub	
			75 - 100%
			50 - 75%
			25 - 50%
			0 - 25%
			Laadige akut.
			Akud võib olla tõrge.

MÄRKUS: Näidatud mahutavus võib veidi erineda tegelikust mahutavusest olenevalt kasutustingimustest ja ümbritseva keskkonna temperatuurist.

Lülitikarbi asukoht

Lülitikarbi saab kinnitada alumise rihma mõlemale küljele. Paigutage juhe sellisel, et lülitikarp asuks teile sobival küljel. Juhtme kahjustuste vältimiseks juhtige juhe näidatud viisil läbi konksu.

► **Joon.3:** 1. Konks 2. Juhe

Rihmade reguleerimine

Õlarihmade, ülemise ja alumise rihma pingsust on võimalik reguleerida. Pange käed kõigepealt läbi õlarihmade ning kinnitage seejärel ülemine ja alumine rihm. Pingutamiseks tõmmake rihma otsa joonisel näidatud viisil. Lõdvendamiseks tõmmake fiksaatori otsa üles.

Õlarihmad

► **Joon.4:** 1. Rihm 2. Fiksaator

Ülemine rihm

► **Joon.5:** 1. Rihm 2. Fiksaator

Alumine rihm

► **Joon.6:** 1. Rihm 2. Fiksaator

Käepide

Tolmuimeja käsitsemisel haarake alati käepidemest.

► **Joon.7:** 1. Käepide

Pikendustoru

Ainult tolmuimejatüübile

Toru pikkus on reguleeritav. Lõdvendage toru rõngast ja reguleerige toru pikkust. Soovitud pikkuse saavutamisel pingutage rõngast.

► **Joon.8:** 1. Rõngas

Lüliti funktsioneerimine

Tolmuimeja alustamiseks vajutage üks kord nuppu . Tolmuimeja käivitub suurel imivõimsusel (2). Kui soovite väiksemat imivõimsust, vajutage veel üks kord nuppu . Tolmuimeja töötab normaalsel imivõimsusel (1). Kui vajutate nuppu tolmuimeja töötamise ajal, lülitub imivõimsus suurema ja normaalse imivõimsuse vahel. Tolmuimeja väljalülitamiseks vajutage nuppu .

► **Joon.9**

LED-lamp

Lülitikarbi etteotsa on pimedas töötamise hõlbustamiseks paigaldatud LED-lamp. Lambi sisselülitamiseks vajutage nuppu . Väljalülitamiseks vajutage uuesti nuppu .

► **Joon.10**

⚠ETTEVAATUST: Ärge vaadake otse valgusesse ega valgusallikat. Ärge suunake valgust kunagi teiste inimeste silmadesse.

MÄRKUS: LED-lamp kustub automaatselt, kui tolmuimejat ei kasutata üle 10 minuti.

MÄRKUS: Tolmuimeja lülitub automaatselt välja ja LED-lamp hakkab vilkuma, kui tolmuimeja kuumeneb ümmissuunatud vooliku, toru, filtri või muul põhjusel vähenenud õhuvoolu tõttu üle.

Voolikurihm

Voolikurihma saab kasutada toru ja eraldi otsaku hoidmiseks.

Toru kinnitamiseks tolmuimeja külge juhtige voolikurihm läbi keres oleva ava. Voolikurihma saab kinnitada mõlemale küljele.

► **Joon.11:** 1. Voolikurihm 2. Ava 3. Pikendustoru

Eraldi otsaku hoidmiseks alumisel rihmal juhtige voolikurihm läbi alumisel rihmal asuva aasa.

► **Joon.12:** 1. Voolikurihm 2. Eraldi otsak

Voolikukonks

Ainult tolmuimejatüübile

Kui katkestate töö ajutiselt, võib vooliku konksu kasutada toru riputamiseks alumise rihma külge.

► **Joon.13**

KOKKUPANEK

⚠ETTEVAATUST: Kandke alati hoolet selle eest, et tööriist oleks enne igasuguseid hooldustöid välja lülitatud ja akukassett eemaldatud.

Vooliku kokkupanemine

Sisestage voolikumansett tolmuimeja kereesse ja pöörake päripäeva.

► **Joon.14:** 1. Vooliku mansett 2. Tolmuimeja kere

Toru ja otsaku kokkupanemine

Ainult tolmuimejatüübile

Ühendage otsak pikendustoruga. Seejärel võtke tolmuimeja selga ja ühendage voolik pikendustoruga.

Pikendustoru ja otsaku ühendamine

► **Joon.15:** 1. Pikendustoru 2. Eraldi otsak
3. T-kujuline otsak

Vooliku ja pikendustoru ühendamine

► **Joon.16:** 1. Voolik 2. Pikendustoru 3. Eraldi otsak

MÄRKUS: Eraldi otsaku võib otse voolikuga ühendada.

Tööriista ühendamine

Ainult tolmuärastustüübile

Ühendage vooliku esimansett tööriista ärastuspesasse.

► **Joon.17:** 1. Esimansett 2. Ärastuspesa

Kasutage alati sobivat esimansetti. Esimansetti saab eemaldada, keerates seda vastupäeva ja hoides samal ajal voolikut kinni. Ühendamise ajal veenduge, et esimansett oleks tugevalt vooliku külge kruvitud.

► **Joon.18:** 1. Voolik 2. Esimansett

Esimansetti 24 kasutades sisestage see voolikuga ühendatud esimansetti 22.

► **Joon.19:** 1. Esimansett 22 2. Esimansett 24

Filtrikoti paigaldamine

⚠ETTEVAATUST: Ärge kasutage kahjustatud filtrikotti. Tolmuimeja kasutamisel peab filtrikott olema alati korralikult paigaldatud. Muidu võidakse tolm ja praht tolmuimejast välja paisata ja need võivad põhjustada kasutajale hingamisteede haigusi.

TÄHELEPANU: Kui filtrikott on täis, asendage see uuega. Täis filtrikotti edasi kasutamine vähendab imivõimsust.

1. Vabastage lukusti, tõstes alumist külge. Eesmise lukustuskülje tõstmiseks suruge soonega ala. Kaane avamiseks tõmmake lukustit.

► **Joon.20:** 1. Konks 2. Kaas

2. Sisestage filtrikott tühimiku ülemisel küljel asuvasse pilusse, nagu joonisel näidatud.

► **Joon.21:** 1. Pilu 2. Filtrikott/tolmukott

Tolmukotti (valikuline lisa) kasutades sisestage tolmu-koti serv pilusse.

► **Joon.22:** 1. Pilu 2. Serv

3. Viige filtrikott kohakuti vooliku mansetiga ja suruge kartongosa lõpuni. Filtrikoti kummirõngas peab asetsema üle vooliku manseti ääre.

► **Joon.23:** 1. Filtrikoti kummirõngas 2. Vooliku manseti äär 3. Filtrikoti kartongosa 4. Vooliku mansett

TÖÖRIISTA KASUTAMINE

⚠HOIATUS: Kasutajaid tuleb juhendada tolmuimejat õigesti kasutama.

⚠HOIATUS: See tolmuimeja ei sobi ohtlike aineid sisaldava tolmu kogumiseks.

⚠ETTEVAATUST: Tolmuimeja on mõeldud ainult kuivpuhastamiseks.

⚠ETTEVAATUST: Tolmuimeja on mõeldud kasutamiseks ainult siseruumides.

⚠ETTEVAATUST: Pange akukassett alati sisse nii sügavale, et see lukustuks oma kohale. Kui näete nupu ülaosas punast osa, pole kassett täielikult lukustunud. Sisestage see täies ulatuses nii, et punast osa ei jääks näha. Muidu võib adapter juhustlikult tööriistast välja kukkuda ning põhjustada teile või läheduses viibivatele isikutele vigastusi.

1. Võtke tolmuimeja selga ning kinnitage ülemine ja alumine rihm. Reguleerige rihmade pingsust vajaduse järgi.

► **Joon.24**

2. Tolmuimeja alustamiseks vajutage nuppu ⁽³⁾. Kui soovite väiksemat imivõimsust, vajutage veel üks kord nuppu ⁽³⁾. Puhastamise lõpetamiseks vajutage nuppu ⁽⁰⁾.

► **Joon.25**

Töötamise ajaks kinnitage lülitikarp alumise rihma külge. Ette valgustamiseks võib konksu kaldu hoida.

► **Joon.26**

MÄRKUS: Tolmuimeja lülitub automaatselt välja ja LED-lamp hakkab vilkuma, kui tolmuimeja kuumeneb ummistunud vooliku, toru, filtri või muul põhjusel vähenenud õhuvoolu tõttu üle. Sellises olukorras kõrvaldage probleemi põhjus ja laske tolmuimejal jahtuda, enne kui seadme uuesti sisse lülitate.

3. Vahetage filtrikott, kui see on täis. Avage kaas ja võtke filtrikott välja. Filtrikoti sulgemiseks tõmmake ava küljel olevat riba ja visake kogu filtrikott ära.

► **Joon.27:** 1. Riba

Tolmukoti (valikuline tarvik) kasutamisel võtke tolmukott välja, avage lukusti ja eemaldage tolm.

► **Joon.28:** 1. Lukusti

TÄHELEPANU: Kontrollige regulaarselt, kas filter on täis. Täis filtrikotti edasi kasutamine vähendab imivõimsust.

TÄHELEPANU: Ärge kasutage kasutatud filtrikotti. Filtrikott on mõeldud ainult ühekordseks kasutamiseks. Kui soovite kotti korduvalt kasutada, kasutage tolmukotti (valikuline tarvik).

HOOLDUS

⚠ETTEVAATUST: Enne kontroll- või hooldus- toimingute tegemist kandke alati hoolet selle eest, et tööriist oleks välja lülitatud ja akukassett korpuse küljest eemaldatud.

TÄHELEPANU: Ärge kunagi kasutage bensiini, vedeldit, alkoholi ega midagi muud sarnast. Selle tulemuseks võib olla luitumine, deformatsioon või pragunemine.

Filtri puhastamine

⚠ETTEVAATUST: Ärge kasutage tolmuimejat ilma filtrita ega jätkake seadme kasutamist määratud või kahjustatud filtriga. Sisse imetud tolm ja praht võidakse tolmuimejast välja paisata ja need võivad põhjustada kasutajale hingamisteede haigusi.

TÄHELEPANU: Optimaalse imivõimsuse ja puhta väljutatud õhu tagamiseks puhastage regulaarselt filtrit. Kui puhastamise järel ei saavutata piisavat imivõimsust, vahetage filter uue vastu.

TÄHELEPANU: Filtri kahjustamise vältimiseks ärge kasutage puhastamiseks survepesurit ega tolmuärastajat.

1. Avage kaas ja võtke filtrikott välja. Vabastage filtri haak ja eemaldage see tolmuimeja kerelt.

► Joon.29

2. Koputage tolm filtrilt ära. Filtrit võib veega pesta. Peske filter iga kuu või kahe kuu möödudes tolmust ja prahist puhtaks. Seejärel kuivatage filtrit päikese eest varjatud ja hästi tuulutatud kohas, et vältida tõrgete ja ebarooldivate lõhnade tekkimist.

3. Filtri paigaldamiseks sisestage ilma klapi külge hoidikusse, seejärel lükake filtrit allapoole, kuni ribi klapi kinnitab.

► Joon.30: 1. Hoidik 2. Filter 3. Ribi 4. Klapp

Tolmukoti puhastamine

Puhastage tolmukotti regulaarselt seebi ja veega. Pöörake tolmukott pahupidi ja eemaldage kleepuv tolm. Peske kergelt käsitsi ja loputage hoolikalt veega. Enne tolmuimejasse paigaldamist kuivatage täielikult.

► Joon.31

TÄHELEPANU: Märg tolmukott vähendab imivõimsust ja ka mootori eluiga.

Toote OHUTUSE ja TÕÕKINDLUSE tagamiseks tuleb vajalikud remonttööd ning muud hooldus- ja reguleerimistööd lasta teha Makita volitatud teeninduskeskustes või tehase teeninduskeskustes. Alati tuleb kasutada Makita varuosi.

VALIKULISED TARVIKUD

⚠ETTEVAATUST: Neid tarvikuid ja lisaseadiseid on soovitatav kasutada koos Makita tööriistaga, mille kasutamist selles kasutusjuhendis kirjeldatakse. Muude tarvikute ja liseseadiste kasutamiseiga kaasneb vigastada saamise oht. Kasutage tarvikuid ja liseseadiseid ainult otstarbekohaselt.

Saate vajaduse korral kohalikust Makita teeninduskeskusest lisateavet nende tarvikute kohta.

- Voolik (tolmuimejatüübi jaoks)
- Voolik (tolmuärastustüübi jaoks)
- Pikendustoru
- Eraldi otsak
- T-kujuline otsak
- Vaibaotsak
- Riulihari
- Ümmargune hari
- Filtrikott
- Tolmukott
- Esimansett
- Filter
- Makita algupärane aku ja laadija

MÄRKUS: Mõned nimekirjas loetletud tarvikud võivad kuuluda standardvarustusse ning need on lisatud tööriista pakendisse. Need võivad riigiti erineda.

ТЕХНИЧЕСКИЕ ХАРАКТЕРИСТИКИ

Модель:		DVC260
Производительность	Мешочный фильтр	2,0 л
	Пылесборный мешок	1,5 л
Максимальный объем воздуха		1,5 м ³ /мин
Размеры (Д x Ш x В) (без жгута проводов)		230 x 152 x 373 мм
Номинальное напряжение		36 В пост. тока
Стандартный блок аккумулятора		BL1815N, BL1820, BL1820B BL1830, BL1830B, BL1840, BL1840B, BL1850, BL1850B, BL1860B
Масса нетто Пылесос		3,8 кг 4,3 кг

- Благодаря нашей постоянно действующей программе исследований и разработок указанные здесь технические характеристики могут быть изменены без предварительного уведомления.
- Технические характеристики и аккумуляторный блок могут отличаться в зависимости от страны.
- Масса (с аккумуляторным блоком) в соответствии с процедурой EPTA 01.2003

СИМВОЛЫ

Ниже приведены символы, используемые для обозначения. Перед использованием убедитесь, что вы понимаете их значение.



Прочитайте руководство по эксплуатации.



Только для стран ЕС
Не выбрасывайте электрооборудование или аккумуляторы вместе с бытовым мусором! В соответствии с европейскими директивами об утилизации электрического и электронного оборудования, о батареях и аккумуляторах, а также использованных батареях и аккумуляторах и их применении в соответствии с местными законами электрооборудование, батареи и аккумуляторы, срок эксплуатации которых истек, должны утилизироваться отдельно и передаваться для утилизации на предприятие, соответствующее применяемым правилам охраны окружающей среды.

Назначение

Данный инструмент предназначен для сбора сухой пыли. Инструмент подходит для коммерческого использования, например, в гостиницах, школах, больницах, магазинах, офисах, арендных помещениях и на заводах.

Шум

Типичный уровень взвешенного звукового давления (А), измеренный в соответствии с 60332-2-69, 60704-2-1:
Уровень звукового давления (L_{рА}): 70 дБ (или менее)
Погрешность (К): 2,5 дБ (А)
Уровень шума при выполнении работ может превышать 80 дБ (А).

⚠ ОСТОРОЖНО: Используйте средства защиты слуха.

Вибрация

Суммарное значение вибрации (сумма векторов по трем осям), определенное в соответствии с 60335-2-69:
Рабочий режим: резка панелей
Распространение вибрации (a_н): 2,5 м/с² или менее
Погрешность (К): 1,5 м/с²

ПРИМЕЧАНИЕ: Заявленное значение распространения вибрации измерено в соответствии со стандартной методикой испытаний и может быть использовано для сравнения инструментов.

ПРИМЕЧАНИЕ: Заявленное значение распространения вибрации можно также использовать для предварительных оценок воздействия.

⚠ ОСТОРОЖНО: Распространение вибрации во время фактического использования электроинструмента может отличаться от заявленного значения в зависимости от способа применения инструмента.

⚠ ОСТОРОЖНО: Обязательно определите меры безопасности для защиты оператора, основанные на оценке воздействия в реальных условиях использования (с учетом всех этапов рабочего цикла, таких как выключение инструмента, работа без нагрузки и включение).

Декларация о соответствии ЕС

Только для европейских стран
Makita заявляет, что следующее устройство (устройства):
Обозначение устройства: Ранцевый аккумуляторный пылесос
Модель / тип: DVC260
Соответствует(-ют) следующим директивам ЕС:
2006/42/ЕС

Изготовлены в соответствии со следующим стандартом или нормативными документами: EN60335
Технический файл в соответствии с документом 2006/42/ЕС доступен по адресу:
Makita, Jan-Baptist Vinkstraat 2, 3070, Belgium
8.9.2015



Ясуси Фукайа (Yasushi Fukaya)
Директор
Makita, Jan-Baptist Vinkstraat 2, 3070, Belgium

МЕРЫ БЕЗОПАСНОСТИ

Правила техники безопасности при эксплуатации аккумуляторного пылесоса

▲ ОСТОРОЖНО: ВАЖНО! ВНИМАТЕЛЬНО ОЗНАКОМЬТЕСЬ со всеми инструкциями и рекомендациями по технике безопасности **ДО НАЧАЛА РАБОТЫ**. Невыполнение инструкций и рекомендаций может привести к поражению электротоком, пожару и/или тяжелым травмам.

1. Перед началом эксплуатации убедитесь, что пользователь должным образом проинструктирован по работе с данным пылесосом.
2. Не используйте пылесос без фильтра. Немедленно замените поврежденный фильтр.
3. Не всасывайте горючие материалы, петарды, зажженные сигареты, угли, горячую металлическую стружку, острые предметы, такие как бритвы, иголки, битое стекло и т. п.
4. **ЗАПРЕЩАЕТСЯ ЭКСПЛУАТИРОВАТЬ ПЫЛЕСОС РЯДОМ С БЕНЗИНОМ, ГАЗОМ, КРАСКОЙ, КЛЕЯЩИМИ И ДРУГИМИ ВЗРЫВООПАСНЫМИ МАТЕРИАЛАМИ.** При установке переключателя в положения ON (Вкл.) и OFF (Выкл.) возможно возникновение искр. Искры могут также возникать во время работы коллектора электромотора. Результатом может стать сильный взрыв.
5. **Запрещается всасывать токсичные, канцерогенные, легковоспламеняющиеся и другие опасные материалы, такие как асбест, мышьяк, барий, бериллий, свинец, пестициды и другие вредные для здоровья вещества.**
6. **Запрещается использовать пылесос вне помещения во время дождя.**
7. **Не используйте пылесос вблизи источников тепла (печи и пр.).**
8. **Не закрывайте вентиляционные отверстия.** Они обеспечивают охлаждение электромотора. Следите, чтобы вентиляционные отверстия не засорялись. В противном случае электромотор может сгореть из-за недостаточного охлаждения.
9. **Всегда сохраняйте устойчивое положение и равновесие.**
10. **Не сгибайтесь, не тяните шланг и не наступайте на него.**
11. **Немедленно выключите пылесос, если во время работы заметите признаки неисправности или падение мощности.**
12. **ОТСОЕДИНИТЕ АККУМУЛЯТОРЫ.** Если пылесос не используется, перед обслуживанием и при смене насадок.
13. **Очищайте и обслуживайте пылесос сразу по окончании работы, чтобы поддерживать его в оптимальном техническом состоянии.**
14. **СОБЛЮДАЙТЕ ОСТОРОЖНОСТЬ ПРИ ВЫПОЛНЕНИИ ОЧИСТКИ ПЫЛЕСОСА.** Содержите пылесос в чистоте, чтобы обеспечить максимальную эффективность и безопасность эксплуатации. Следуйте инструкциям по смене насадок. Ручки инструмента всегда должны быть сухими и чистыми и не должны быть испачканы маслом или смазкой.
15. **ПРОВЕРЬТЕ КОМПОНЕНТЫ НА ПРЕДМЕТ ПОВРЕЖДЕНИЙ.** Перед дальнейшим использованием пылесоса ограждение или другая поврежденная деталь должны быть тщательно осмотрены, чтобы убедиться, что пылесос будет работать нормально и выполнять функции, для которых он предназначен. Убедитесь, что движущиеся компоненты выровнены и свободно перемещаются, никакие детали не повреждены, все крепления надежны и отсутствуют другие дефекты, которые могут повлиять на работу электроинструмента. Поврежденное ограждение или какая-либо другая деталь должны быть соответствующим образом отремонтированы или заменены авторизованным сервисным центром, если в руководстве по эксплуатации не указано иное. Неисправные выключатели должны быть заменены в авторизованном сервисном центре. Не используйте пылесос, если выключатель не включает или не выключает его.
16. **ЗАПАСНЫЕ ЧАСТИ.** При техническом обслуживании используйте для замены только аналогичные детали.
17. **ХРАНЕНИЕ ПЫЛЕСОСА.** Если пылесос не используется, храните его в помещении.
18. **Берегите пылесос.** Небрежная эксплуатация может привести к поломке даже самого прочного пылесоса.
19. **Запрещается использовать для очистки внутренних и внешних поверхностей бензин, растворитель или чистящие химикаты.** Это может вызвать появление трещин и обесцвечивание.
20. **Не используйте пылесос в замкнутом пространстве при наличии огнеопасных, взрывоопасных или токсичных паров от масляных красок, растворителей, бензина, некоторых средств защиты от моли и т. п., либо при наличии горючей пыли.**
21. **Не используйте пылесос в состоянии алкогольного или наркотического опьянения.**

22. Одним из основных правил техники безопасности является использование защитных очков с боковыми щитками.
23. Работая в запыленной зоне, используйте респиратор.
24. Это устройство не предназначено для использования лицами (включая детей) с ограниченными физическими, сенсорными или умственными способностями, а также не имеющими надлежащего опыта и знаний.
25. Следите, чтобы дети не использовали пылесос в качестве игрушки.
26. Запрещено прикасаться к аккумуляторам и пылесосу мокрыми руками.
27. Проявляйте особую осторожность при работе на лестницах.
28. Запрещается использовать пылесос в качестве табурета или верстака. Устройство может упасть и нанести травму.

Сервисное обслуживание

1. Сервисное обслуживание электроинструмента должно проводиться только квалифицированным специалистом по ремонту и только с использованием идентичных запасных частей. Это позволит обеспечить безопасность электроинструмента.
2. Следуйте инструкциям по смазке и замене принадлежностей.
3. Ручки инструмента всегда должны быть сухими и чистыми и не должны быть испачканы маслом или смазкой.

Важные правила техники безопасности для работы с аккумуляторным блоком

1. Перед использованием аккумуляторного блока прочитайте все инструкции и предупредительные надписи на (1) зарядном устройстве, (2) аккумуляторном блоке и (3) инструменте, работающем от аккумуляторного блока.
2. Не разбирайте аккумуляторный блок.
3. Если время работы аккумуляторного блока значительно сократилось, немедленно прекратите работу. В противном случае, может возникнуть перегрев блока, что приведет к ожогам и даже к взрыву.
4. В случае попадания электролита в глаза промойте их обильным количеством чистой воды и немедленно обратитесь к врачу. Это может привести к потере зрения.
5. Не замыкайте контакты аккумуляторного блока между собой:
 - (1) Не прикасайтесь к контактам какими-либо токопроводящими предметами.
 - (2) Не храните аккумуляторный блок в контейнере вместе с другими металлическими предметами, такими как гвозди, монеты и т. п.
 - (3) Не допускайте попадания на аккумуляторный блок воды или дождя.

6. Замыкание контактов аккумуляторного блока между собой может привести к возникновению большого тока, перегреву, возможному ожогу и даже поломке блока.
6. Не храните инструмент и аккумуляторный блок в местах, где температура может достигать или превышать 50 °C (122 °F).
7. Не бросайте аккумуляторный блок в огонь, даже если он сильно поврежден или полностью вышел из строя. Аккумуляторный блок может взорваться под действием огня.
8. Не роняйте и не ударяйте аккумуляторный блок.
9. Не используйте поврежденный аккумуляторный блок.
10. Входящие в комплект литий-ионные аккумуляторы должны эксплуатироваться в соответствии с требованиями законодательства об опасных товарах. При коммерческой транспортировке, например, третьей стороной или экспедитором, необходимо нанести на упаковку специальные предупреждения и маркировку. В процессе подготовки устройства к отправке обязательно проконсультируйтесь со специалистом по опасным материалам. Также соблюдайте местные требования и нормы. Они могут быть строже. Закройте или закрепите разомкнутые контакты и упакуйте аккумулятор так, чтобы он не перемещался по упаковке.
11. Выполняйте требования местного законодательства относительно утилизации аккумуляторного блока.

СОХРАНИТЕ ДАННЫЕ ИНСТРУКЦИИ.

▲ВНИМАНИЕ: Используйте только фирменные аккумуляторные батареи Makita. Использование аккумуляторных батарей, не произведенных Makita, или батарей, которые были подвергнуты модификациям, может привести к взрыву аккумулятора, пожару, травмам и повреждению имущества. Это также автоматически аннулирует гарантию Makita на инструмент и зарядное устройство Makita.

Советы по обеспечению максимального срока службы аккумулятора

1. Заряжайте блок аккумуляторов перед его полной разрядкой. Обязательно прекратите работу с инструментом и зарядите блок аккумуляторов, если вы заметили снижение мощности инструмента.
2. Никогда не подзаряжайте полностью заряженный блок аккумуляторов. Перезарядка сокращает срок службы аккумулятора.
3. Заряжайте блок аккумуляторов при комнатной температуре в 10 - 40 °C (50 - 104 °F). Перед зарядкой горячего блока аккумуляторов дайте ему остыть.
4. Зарядите ионно-литиевый аккумуляторный блок, если вы не будете пользоваться инструментом длительное время (более шести месяцев).

ОПИСАНИЕ РАБОТЫ

⚠ ВНИМАНИЕ: Перед регулировкой или проверкой функций инструмента обязательно убедитесь, что он выключен и его аккумуляторный блок снят.

Установка или снятие блока аккумулятора

⚠ ВНИМАНИЕ: Обязательно выключайте инструмент перед установкой и извлечением аккумуляторного блока.

⚠ ВНИМАНИЕ: При установке и извлечении аккумуляторного блока крепко удерживайте инструмент и аккумуляторный блок. Если не соблюдать это требование, они могут выскользнуть из рук, что приведет к повреждению инструмента, аккумуляторного блока и травмированию оператора.

► **Рис.1:** 1. Красный индикатор 2. Кнопка 3. Блок аккумулятора

Для снятия аккумуляторного блока нажмите кнопку на лицевой стороне и извлеките блок.

Для установки аккумуляторного блока совместите выступ аккумуляторного блока с пазом в корпусе и задвиньте его на место. Устанавливайте блок до упора так, чтобы он зафиксировался на месте с небольшим щелчком. Если вы можете видеть красный индикатор на верхней части клавиши, адаптер аккумулятора не полностью установлен на месте.

⚠ ВНИМАНИЕ: Обязательно устанавливайте аккумуляторный блок до конца, чтобы красный индикатор не был виден. В противном случае аккумуляторный блок может выпасть из инструмента и нанести травму вам или другим людям.

⚠ ВНИМАНИЕ: Не прилагайте чрезмерных усилий при установке аккумуляторного блока. Если блок не двигается свободно, значит он вставлен неправильно.

Система защиты инструмента/аккумулятора

На инструменте предусмотрена система защиты инструмента/аккумулятора. Она автоматически отключает питание двигателя для продления срока службы инструмента и аккумулятора. Инструмент автоматически остановится во время работы при возникновении указанных ниже ситуаций. В некоторых ситуациях загораются индикаторы.

Защита от перегрузки

Если из-за способа эксплуатации инструмент потребляет очень большое количество тока, он автоматически остановится без включения каких-либо индикаторов. В этом случае выключите инструмент и прекратите работу, повлекшую перегрузку инструмента. Затем включите инструмент для перезапуска.

Защита от перегрева

При перегреве инструмент останавливается автоматически. Дайте инструменту остыть перед возобновлением работы.

Защита от переразрядки

При истощении заряда аккумулятора инструмент автоматически останавливается. Если устройство не работает даже после нажатия переключателей, снимите аккумуляторы с инструмента и зарядите их.

Индикация оставшегося заряда аккумулятора

Только для блоков аккумулятора с индикатором

► **Рис.2:** 1. Индикаторы 2. Кнопка проверки

Нажмите кнопку проверки на аккумуляторном блоке для проверки заряда. Индикаторы загорятся на несколько секунд.

Индикаторы			Уровень заряда
Горит	Выкл.	Мигает	
■	□	▬	от 75 до 100%
■ ■ ■ ■	■ ■ ■ ■	■ ■ ■ ■	
■ ■ ■ ■	■ ■ ■ ■	□ □ □ □	от 50 до 75%
■ ■ ■ ■	□ □ □ □	□ □ □ □	от 25 до 50%
■ □ □ □	□ □ □ □	□ □ □ □	от 0 до 25%
▬ □ □ □	□ □ □ □	□ □ □ □	Зарядите аккумуляторную батарею.
■ ■ □ □	□ □ □ □	□ □ □ □	Возможно, аккумуляторная батарея неисправна.
□ □ □ □	□ □ □ □	■ ■ ■ ■	

ПРИМЕЧАНИЕ: В зависимости от условий эксплуатации и температуры окружающего воздуха индикация может незначительно отличаться от фактического значения.

Расположение распределительного блока

Распределительный блок можно повесить с любой стороны нижнего ремня. Протяните шнур так, чтобы распределительный блок можно было расположить с необходимой стороны. Чтобы предотвратить повреждение шнура, протяните его через крючок, как показано на рисунке.

► **Рис.3:** 1. Крючок 2. Шнур

Регулировочные ремни

Напряжение плечевого, верхнего и нижнего ремней можно регулировать. Сначала наденьте плечевой ремень, затем затяните верхний и нижний ремни. Чтобы затянуть ремень, потяните лямку, как указано на рисунке. Чтобы ослабить, потяните вверх конец зажима.

Плечевые ремни

► **Рис.4:** 1. Лямка 2. Зажим

Верхний ремень

► **Рис.5:** 1. Лямка 2. Зажим

Нижний ремень

► **Рис.6:** 1. Лямка 2. Зажим

Захват для переноски

При перемещении корпуса пылесоса всегда держите за захват для переноски.

► **Рис.7:** 1. Захват для переноски

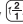


Удлиняющая труба

Только для пылесосов

Длину трубы можно регулировать. Ослабьте кольцо на трубе и измените длину. Затяните кольцо, обеспечив необходимую длину.



► **Рис.8:** 1. Кольцо

Действие выключателя

Для начала работы нажмите кнопку  один раз. Пылесос включится на максимальной мощности всасывания (2). Чтобы снизить мощность всасывания, нажмите кнопку  еще раз. Пылесос будет работать на нормальном уровне мощности всасывания (1). При нажатии кнопки во время работы пылесоса мощность всасывания переключается между высокой и нормальной. Для отключения пылесоса нажмите кнопку .

► **Рис.9**

Светодиодная подсветка

Светодиоды установлены в верхней части распределительного блока для упрощения работы в условиях отсутствия освещения. Нажмите кнопку , чтобы включить освещение. Выключить освещение можно, повторно нажав кнопку .

► **Рис.10**

⚠ВНИМАНИЕ: Не смотрите непосредственно на свет или источник света. Запрещено светить другим людям в глаза.

ПРИМЕЧАНИЕ: Светодиодная подсветка автоматически отключается, если пылесос не используется более 10 минут.

ПРИМЕЧАНИЕ: Пылесос автоматически отключается и светодиоды начинают мигать, если пылесос перегрет из-за сокращения потока воздуха в связи с засорением шланга, трубки, фильтра или другой причиной.

Хомут шланга

Хомут шланга можно использовать, чтобы удерживать трубу или насадку.

Чтобы подсоединить трубу к корпусу пылесоса, пропустите хомут шланга через паз в корпусе. Вы можете подсоединить шланг с любой из сторон.

► **Рис.11:** 1. Хомут шланга 2. Паз 3. Удлиняющая труба

Чтобы закрепить насадку на нижнем ремне, пропустите хомут шланга через петлю нижнего ремня.

► **Рис.12:** 1. Хомут шланга 2. Насадка

Крюк на шланге

Только для пылесосов

Во время перерыва в работе крюк на шланге можно использовать для крепления трубы на нижнем ремне.

► **Рис.13**

СБОРКА

⚠ВНИМАНИЕ: Перед проведением каких-либо работ с инструментом обязательно убедитесь, что инструмент отключен, а блок аккумулятора снят.

Сборка шланга

Вставьте патрубков в корпус пылесоса и поверните по часовой стрелке.

► **Рис.14:** 1. Патрубок шланга 2. Корпус пылесоса

Сборка шланга и насадки

Только для пылесосов

Подсоедините насадку к удлиняющей трубе. Затем расположите пылесос за спиной с помощью плечевого ремня и подсоедините удлиняющую трубу к шлангу.

Подключение удлиняющей трубы и насадки

► **Рис.15:** 1. Удлиняющая труба 2. Насадка
3. Т-образная насадка

Подсоединение шланга и удлиняющей трубы

► **Рис.16:** 1. Шланг 2. Удлиняющая труба
3. Насадка

ПРИМЕЧАНИЕ: Насадку можно подсоединить непосредственно к шлангу.

Подсоединение инструмента

Только для пылеудалителей

Подсоедините передний патрубок шланга к выходу для пылеудаления на инструменте.

► **Рис.17:** 1. Передний патрубок 2. Выход для пылеудаления

Всегда используйте подходящий передний патрубок. Передник патрубок можно снять, для этого поверните его против часовой стрелки, удерживая шланг. При подсоединении убедитесь, что передний патрубок надежно зафиксирован на шланге винтовым соединением.

► **Рис.18:** 1. Шланг 2. Передний патрубок

При использовании переднего патрубка 24 вставьте его в передний патрубок 22, подсоединенный к шлангу.

► **Рис.19:** 1. Передний патрубок 22 2. Передний патрубок 24

Установка мешочного фильтра

ВНИМАНИЕ: Не используйте поврежденный мешочный фильтр. Используйте пылесос только с установленным надлежащим образом мешочным фильтром. В противном случае, поглощенная пыль и прочие частицы могут быть выброшены обратно в атмосферу, что может стать причиной респираторных заболеваний оператора.

ПРИМЕЧАНИЕ: Если мешочный фильтр заполнен, замените его новым. Продолжительное использование пылесоса с заполненным мешочным фильтром приведет к сокращению мощности всасывания.

1. Разблокируйте защелку, потянув нижнюю часть. Нажмите на зону с пазы, чтобы поднять переднюю часть защелки. Потяните защелку, чтобы открыть крышку.

► **Рис.20:** 1. Крючок 2. Крышка

2. Вставьте мешочный фильтр в прорезь в верхней части, как показано на рисунке.

► **Рис.21:** 1. Прорезь 2. Мешочный фильтр/пылесборный мешок

При использовании пылесборного мешка (дополнительная принадлежность) вставьте кромку мешка в прорезь.

► **Рис.22:** 1. Прорезь 2. Кромка

3. Совместите отверстие мешочного фильтра с патрубком шланга и вставьте картонную накладку до упора. Убедитесь, что резиновое кольцо мешочного фильтра надевается на кромку патрубка шланга.

► **Рис.23:** 1. Резиновое кольцо на мешочном фильтре 2. Кромка патрубка шланга 3. Картонная накладка на мешочном фильтре 4. Патрубок шланга

ЭКСПЛУАТАЦИЯ

ОСТОРОЖНО: Перед началом эксплуатации операторы должны пройти соответствующий инструктаж по работе с пылесосом.

ОСТОРОЖНО: Данный пылесос не предназначен для сбора пыли опасных веществ.



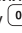
ВНИМАНИЕ: Данный пылесос предназначен только для сухой чистки.

ВНИМАНИЕ: Данный пылесос предназначен только для работы в помещении.

ВНИМАНИЕ: Всегда устанавливайте блок аккумулятора до упора так, чтобы он зафиксировался на месте. Если вы можете видеть красный индикатор на верхней части клавиши, блок аккумулятора не полностью установлен на месте. Установите его до конца так, чтобы красный индикатор был не виден. В противном случае блок может выпасть из инструмента и нанести травму вам или другим людям.

1. Расположите пылесос за спиной с помощью плечевого ремня и затяните верхний и нижний ремень. При необходимости отрегулируйте степень натяжения.

► **Рис.24**

2. Нажмите кнопку  чтобы начать работу. Чтобы снизить мощность всасывания, нажмите кнопку  еще раз. Нажмите кнопку  чтобы остановить пылесос.

► **Рис.25**

Во время работы закрепите переключатель на нижнем ремне. Крюк можно наклонить, чтобы обеспечить освещение зоны перед собой.

► **Рис.26**

ПРИМЕЧАНИЕ: Пылесос автоматически отключается и светодиоды начинают мигать, если пылесос перегрет из-за сокращения потока воздуха в связи с засорением шланга, трубки, фильтра или другой причиной. В этом случае устраните причину перегрева и подождите, пока пылесос остынет, прежде чем возобновить работу.

3. Замените мешочный фильтр, как только он заполнится. Откройте крышку и извлеките мешочный фильтр. Потяните ленту со стороны отверстия, чтобы закрыть мешочный фильтр, и утилизируйте его целиком.

► **Рис.27:** 1. Лента

При использовании пылесборного мешка (дополнительная принадлежность) извлеките мешок и удалите из него пыль, открыв защелку.

► **Рис.28:** 1. Защелка

ПРИМЕЧАНИЕ: Регулярно проверяйте, заполнен ли мешочный фильтр. Продолжительное использование пылесоса с заполненным мешочным фильтром приведет к сокращению мощности всасывания.

ПРИМЕЧАНИЕ: Не используйте мешочный фильтр повторно. Мешочные фильтры являются одноразовыми. Для многократного использования приобретайте пылесборный мешок (дополнительная принадлежность).

ОБСЛУЖИВАНИЕ

⚠ ВНИМАНИЕ: Перед проведением проверки или работ по техобслуживанию всегда проверяйте, что инструмент выключен, а блок аккумуляторов снят.

ПРИМЕЧАНИЕ: Запрещается использовать бензин, растворители, спирт и другие подобные жидкости. Это может привести к обесцвечиванию, деформации и трещинам.

Очистка фильтра

⚠ ВНИМАНИЕ: Не используйте пылесос без фильтра или с грязным или поврежденным фильтром. Поглощенная пыль и прочие частицы могут быть выброшены обратно в атмосферу, что может стать причиной респираторных заболеваний оператора.

ПРИМЕЧАНИЕ: Для сохранения оптимальной мощности всасывания и предотвращения загрязнения выпускаемого воздуха регулярно очищайте фильтр. Если требуемая мощность всасывания не достигается даже после очистки, замените фильтр.

ПРИМЕЧАНИЕ: Чтобы предотвратить повреждение фильтра, не используйте для очистки устройства обдувки воздухом и/или водоструйные аппараты высокого давления.

1. Откройте крышку и извлеките мешочный фильтр. Освободите крючок на фильтре и извлеките его из корпуса пылесоса.

► Рис.29

2. Выбейте пыль из фильтра. Фильтр можно промыть водой. Смывайте пыль и прочие частицы с фильтра каждые 1 или 2 месяца. После этого полностью высушите фильтр в затемненном и хорошо проветриваемом помещении для предотвращения неприятных запахов и повреждений.

3. Для установки фильтра вставьте его стороной без отверстия в держатель, надавите на фильтр, пока отверстие не будет закреплен в планке.

► Рис.30: 1. Держатель 2. Фильтр 3. Планка
4. Отворот

Очистка пылесборного мешка

Регулярно очищайте пылесборный мешок с помощью мыла и воды. Выверните мешок наизнанку и удалите прилипшую пыль. Аккуратно выполните очистку ладонью и тщательно промойте водой.

Перед установкой в пылесос тщательно высушите.

► Рис.31

ПРИМЕЧАНИЕ: Мокрый пылесборный мешок снизит всасывающую способность и сократит срок службы двигателя.

Для обеспечения БЕЗОПАСНОСТИ и НАДЕЖНОСТИ оборудования ремонт, любое другое техобслуживание или регулировку необходимо производить в уполномоченных сервис-центрах Makita или сервис-центрах предприятия с использованием только сменных частей производства Makita.

ДОПОЛНИТЕЛЬНЫЕ ПРИНАДЛЕЖНОСТИ

⚠ ВНИМАНИЕ: Данные принадлежности или приспособления рекомендуются для использования с инструментом Makita, указанным в настоящем руководстве. Использование других принадлежностей или приспособлений может привести к получению травмы. Используйте принадлежность или приспособление только по указанному назначению.

Если вам необходимо содействие в получении дополнительной информации по этим принадлежностям, свяжитесь с вашим сервис-центром Makita.

- Шланг (для пылесоса)
- Шланг (для пылеудалителя)
- Удлиняющая труба
- Насадка
- Т-образная насадка
- Насадка для чистки ковра
- Щетка для чистки полок
- Круглая щетка
- Мешочный фильтр
- Пылесборный мешок
- Передний патрубок
- Фильтр
- Оригинальный аккумулятор и зарядное устройство Makita

ПРИМЕЧАНИЕ: Некоторые элементы списка могут входить в комплект инструмента в качестве стандартных приспособлений. Они могут отличаться в зависимости от страны.

Makita Europe N.V. Jan-Baptist Vinkstraat 2,
3070 Kortenberg, Belgium

Makita Corporation 3-11-8, Sumiyoshi-cho,
Anjo, Aichi 446-8502 Japan

www.makita.com

885492C987 EN, SV, NO, FI, LV, LT, ET, RU 20160519
