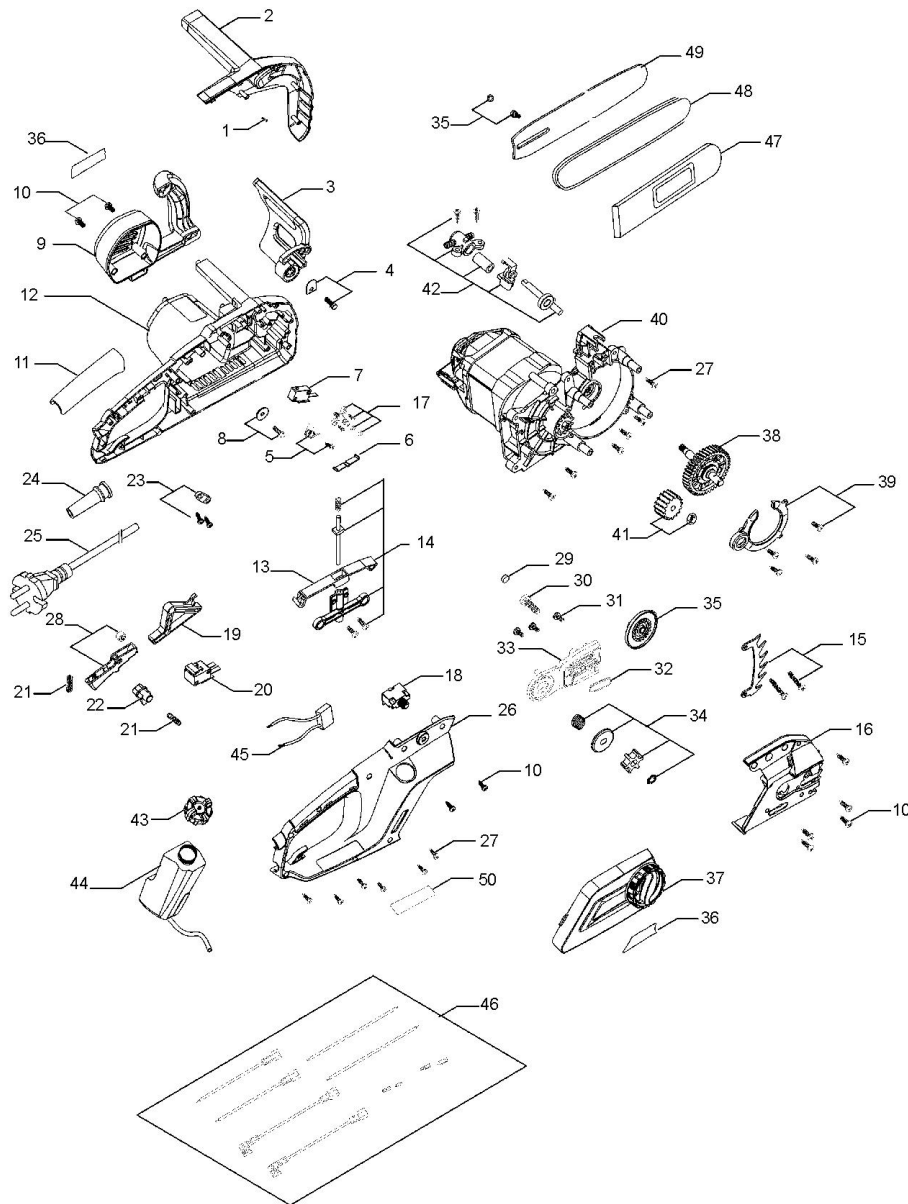


**PRODUCT COMPLETE**



Ref	Part No.	Description	QTY	KIT
1	505 46 88-01	SCREW	1	
2	505 46 89-01	COVER	1	
3	505 47 21-01	BRAKE	1	
4	505 53 10-01	CLAMP	1	
5	505 46 68-01	SPRING	1	
6	505 46 93-01	SPRING PLATE	1	
7	505 46 94-01	MICRO SWITCH	1	
8	505 46 69-01	WASHER	1	
9	505 46 95-01	COVER	1	
10	505 46 70-01	SCREW	1	
11	505 46 96-01	COVER	1	
12	505 46 97-01	CLAMSHELL	1	
13	505 46 98-01	SWITCH	1	
14	505 46 71-01	SWITCH	1	
15	505 46 72-01	BUMPER	1	

Ref	Part No.	Description	QTY	KIT
16	505 46 99-01	COVER	1	
17	505 46 73-01	NOZZLE	1	
18	505 47 00-01	OVERLOAD PROTECTION	1	
19	505 47 01-01	ARM	1	
20	505 47 02-01	SWITCH	1	
21	505 46 74-01	SPRING	1	
22	505 47 03-01	BUTTON	1	
23	505 56 08-01	KIT	1	
24	505 47 04-01	SLEEVE	1	
25	505 56 19-01	CORD	1	
25	505 10 58-01	CORD	1	
26	505 47 06-01	CLAMSHELL	1	
27	505 55 92-01	SCREW	3	
28	505 46 76-01	SWITCH	1	
29	505 47 22-01	RUBBER PLUG	1	
30	505 47 08-01	SCREW	1	
31	505 47 09-01	SCREW	1	
32	505 55 89-01	SEAL	1	
33	505 46 77-01	PLATE	1	
34	505 55 90-01	SPRING	1	
35	505 56 44-01	ASSEMBLY	1	
36	510 21 58-01	kit label	1	
37	505 46 82-01	CHAIN	1	
38	505 47 15-01	SHAFT	1	
39	505 46 83-01	GEARBOX	1	
40	505 47 17-01	MOTOR ASSY	1	
41	505 47 18-01	WORM GEAR	1	
42	505 46 84-01	PUMP	1	
43	505 47 19-01	CAP	1	
44	505 46 85-01	BOTTLE	1	
45	505 52 99-01	CAPACITOR	1	
46	505 46 87-01	CABLE	1	
47	530 04 75-13	SCABBARD PLAIN	1	
48	531 02 41-28	CHAIN	1	
49	531 02 42-37	BAR	1	
50	505 53 37-01	LABEL WARNING	1	