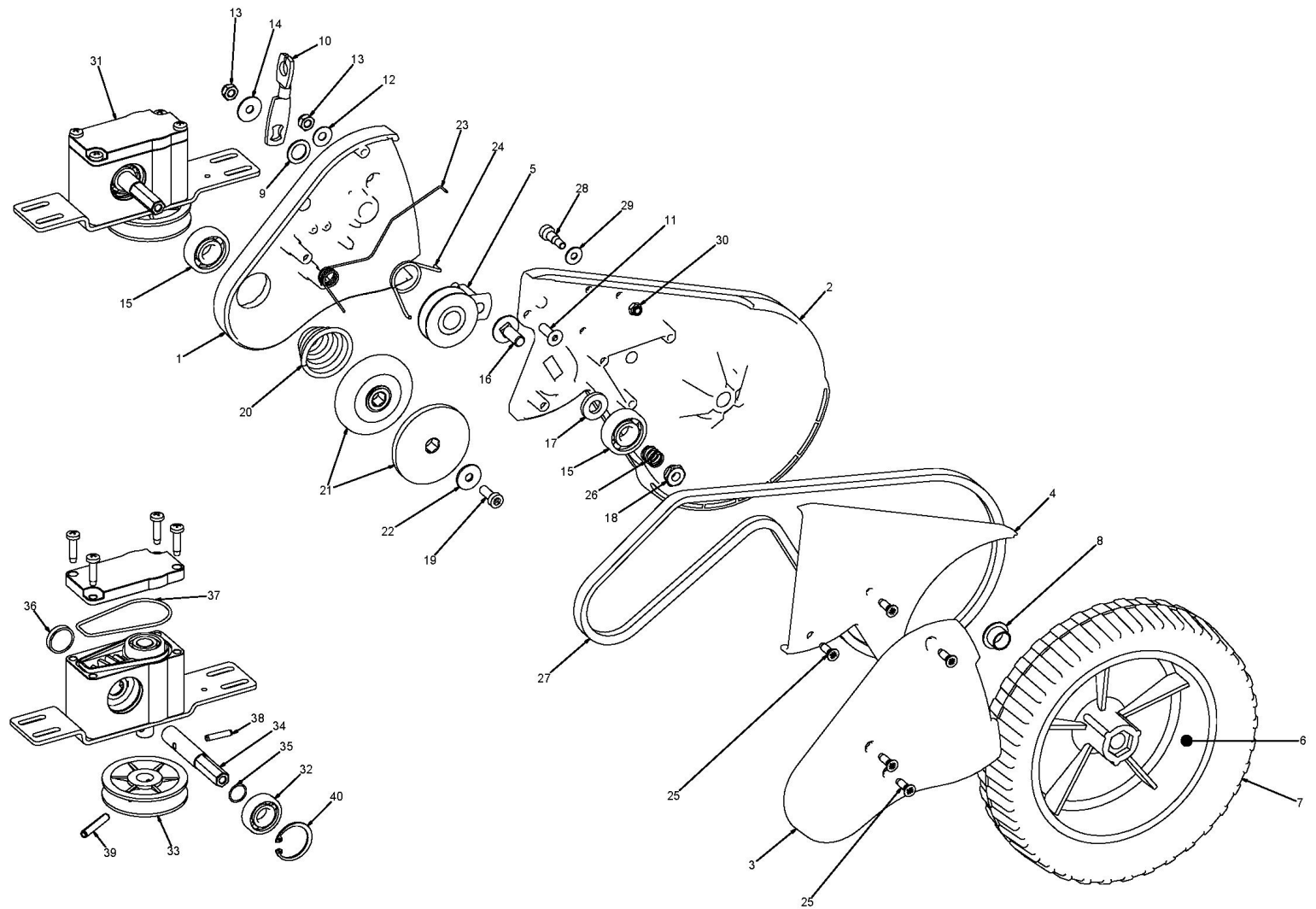


DRIVE

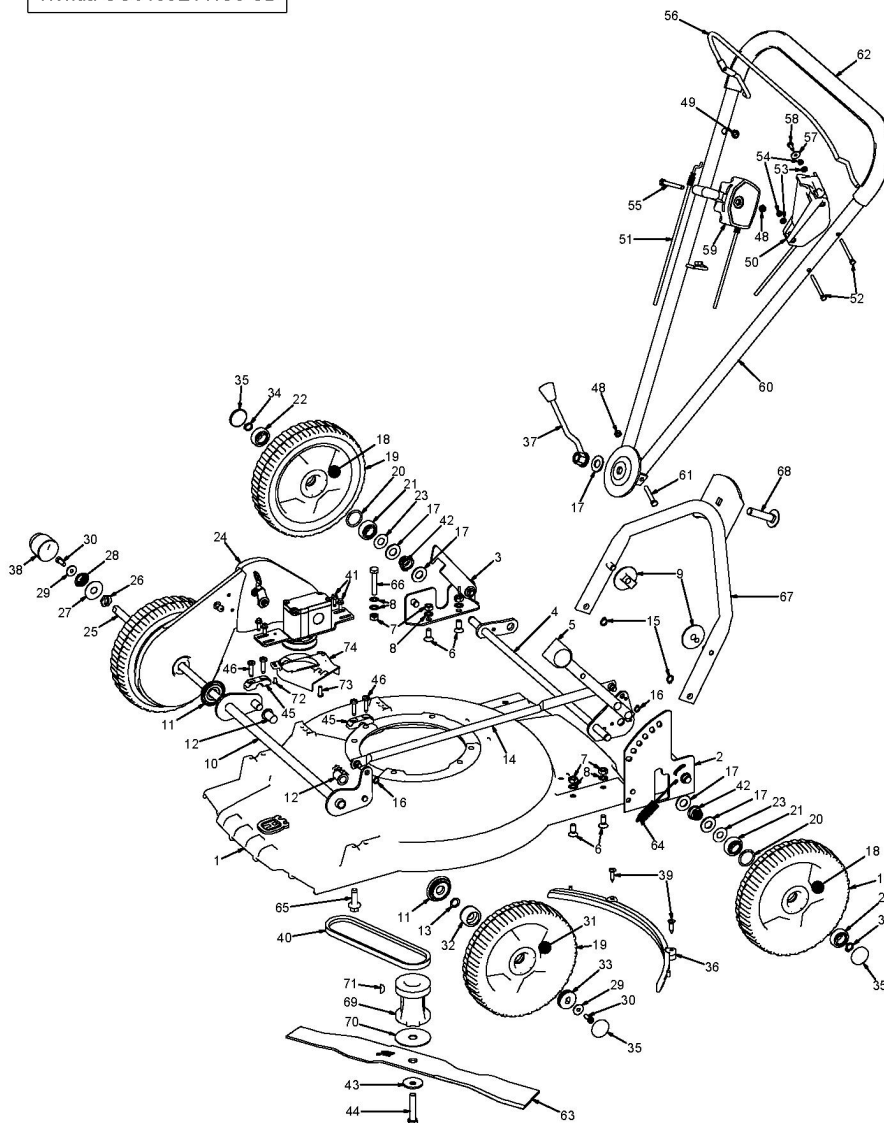


Ref	Part No.	Description	QTY	KIT
1	502 87 99-01	COVER	1	
2	502 88 00-01	COVER	1	
3	502 88 01-01	COVER	1	
4	502 88 02-01	COVER	1	
5	503 32 32-01	PULLEY ASSY	1	
6	503 31 74-02	WHEEL ASSY	1	
7	510 10 96-01	WHEEL	1	
8	503 27 71-01	BUSHING	1	
9	504 46 08-01	WASHER GALVANIZED	1	
10	503 32 27-01	LEVER	1	
11	504 46 04-01	BOLT	1	
12	503 32 40-01	SPRING	1	
13	504 45 61-01	LOCKING NUT GALVANIZED	1	
14	504 46 61-01	WASHER GALVANIZED	1	
15	503 24 29-01	BALL BEARING	1	

Ref	Part No.	Description	QTY	KIT
16	504 46 01-01	BOLT	1	
17	504 46 06-01	WASHER	1	
18	503 31 76-01	BARREL NUT	1	
19	504 45 67-01	BOLT	1	
20	503 32 34-01	SPRING	1	
21	503 32 95-01	DISC	1	
22	504 45 99-01	WASHER GALVANIZED SPEC.	1	
23	502 88 03-01	SPRING	1	
24	503 32 66-01	SPRING	1	
25	504 46 00-01	SCREW	1	
26	503 31 87-01	SPRING	1	
27	502 94 52-01	BELT	1	
28	504 46 19-01	SCREW WITH BARREL UNDER HEAD	1	
29	504 45 60-01	WASHER	1	
30	504 46 03-01	LOCKING NUT GALVANIZED	1	
31	510 21 22-01	WORM GEAR ASSY	1	
32	505 15 01-01	BEARING	1	
33	503 33 01-01	PULLEY	1	
34	503 33 02-01	SHAFT	1	
35	503 33 03-01	O-RING	1	
36	503 33 04-01	PLUG	1	
37	503 33 05-01	GASKET	1	
38	504 45 54-01	Rörstift Innre för snäckväxel	1	
39	504 45 55-01	Rörstift remhjul på snäckväxel	1	
40	505 15 02-01	CIRCLIP	1	

## FRAME & ENGINE

Motor: 5226245-01  
Honda GCV135E A4G9 SD



Ref	Part No.	Description	QTY	KIT
1	522 43 22-01	CHASSIS	1	
2	503 24 90-02	INDEX PLATE ASSY	1	
3	503 26 58-02	HANDLE SUPPORT ASSY	1	
4	503 25 80-01	REAR AXLE ASSY	1	
5	504 46 47-01	KNOB	1	
6	504 45 70-01	SCREW GALVANIZED	1	
7	504 45 72-01	NUT	1	
8	504 45 80-01	WASHER	1	
9	504 46 45-02	ADJUSTING WHEEL	1	
10	503 26 92-01	FRONT AXLE	1	
11	504 46 36-01	BUSHING	1	
12	502 89 81-02	CASING	1	
13	504 45 98-01	WASHER	1	
14	503 24 95-02	ROD ASSY	1	
15	504 45 82-01	CLAMP RING SGA	1	
16	504 45 81-01	CLAMP RING SGA	1	
17	504 45 73-01	WASHER GALVANIZED	1	
18	503 27 54-02	WHEEL ASSY	1	

Ref	Part No.	Description	QTY	KIT
19	510 10 96-01	WHEEL	1	
20	504 46 18-01	SPACER RING	1	
21	503 24 29-01	BALL BEARING	1	
22	502 88 27-01	BALL BEARING	1	
23	504 45 76-01	WASHER GALVANIZED	1	
24	503 32 98-02	GEAR BOX ASSY	1	
25	503 27 18-01	DRIVE SHAFT ASSY	1	
26	504 46 13-01	DRIVER	1	
27	504 46 09-01	WASHER	1	
28	503 33 23-01	SPRING	1	
29	504 45 99-01	WASHER GALVANIZED SPEC.	1	
30	504 45 67-01	BOLT	1	
31	503 27 55-02	WHEEL ASSY	1	
32	503 27 64-01	NYLON BUSHING	1	
33	503 27 62-01	BUSHING	1	
34	504 45 83-01	CLAMP RING SGA	1	
35	503 27 51-01	HUB CAP	1	
36	503 24 30-01	MULCH WALL	1	
37	503 29 83-01	LEVER ASSY	1	
38	504 46 51-01	CAP	1	
39	504 45 65-01	SCREW	1	
40	502 94 53-01	BELT	1	
41	504 46 76-01	SCREW	1	
42	503 33 30-01	SPRING	1	
43	503 33 25-01	SPRING	1	
44	504 46 66-01	BOLT	1	
45	504 46 38-02	BRACKET	1	
46	504 45 71-01	BOLT 6.3X25 RTS TORX FZB	1	
47	502 90 77-02	HANDLE ASSY	1	
48	504 45 61-01	LOCKING NUT GALVANIZED	1	
49	503 32 09-01	BUSHING	1	
50	503 31 26-01	DRIVE CONTROL	1	
51	503 31 40-01	CABLE	1	
52	504 46 71-01	BOLT	1	
53	504 46 72-01	WASHER	1	
54	504 46 03-01	LOCKING NUT GALVANIZED	1	
55	502 88 23-01	BOLT	1	
56	503 31 39-02	BAILARM	1	
57	502 89 65-01	WASHER GALVANIZED	1	
58	504 45 93-01	SCREW TORX GALVANIZED	1	
59	503 31 30-01	THROTTLE CONTROL	1	
60	502 90 74-02	HANDLE ASSY	1	
61	504 46 85-01	BOLT	1	
62	523 05 28-01	GRIP	1	
63	502 88 13-01	BLADE	1	
64	503 25 76-01	SPRING	1	
65	502 88 29-01	SCREW	1	
66	504 46 62-01	BOLT GALVANIZED	1	
67	503 28 38-01	HANDLE ASSY	1	

Ref	Part No.	Description	QTY	KIT
68	504 45 66-01	BOLT	1	
69	503 25 92-01	BLADE SUPPORT ASSY	1	
70	503 25 94-01	FIBRE WASHER	1	
71	504 46 05-01	WOODRUFF KEY	1	
72	522 63 56-01	SCREW	1	
73	522 63 57-01	SCREW	1	
74	522 54 63-01	BELT GUARD	1	