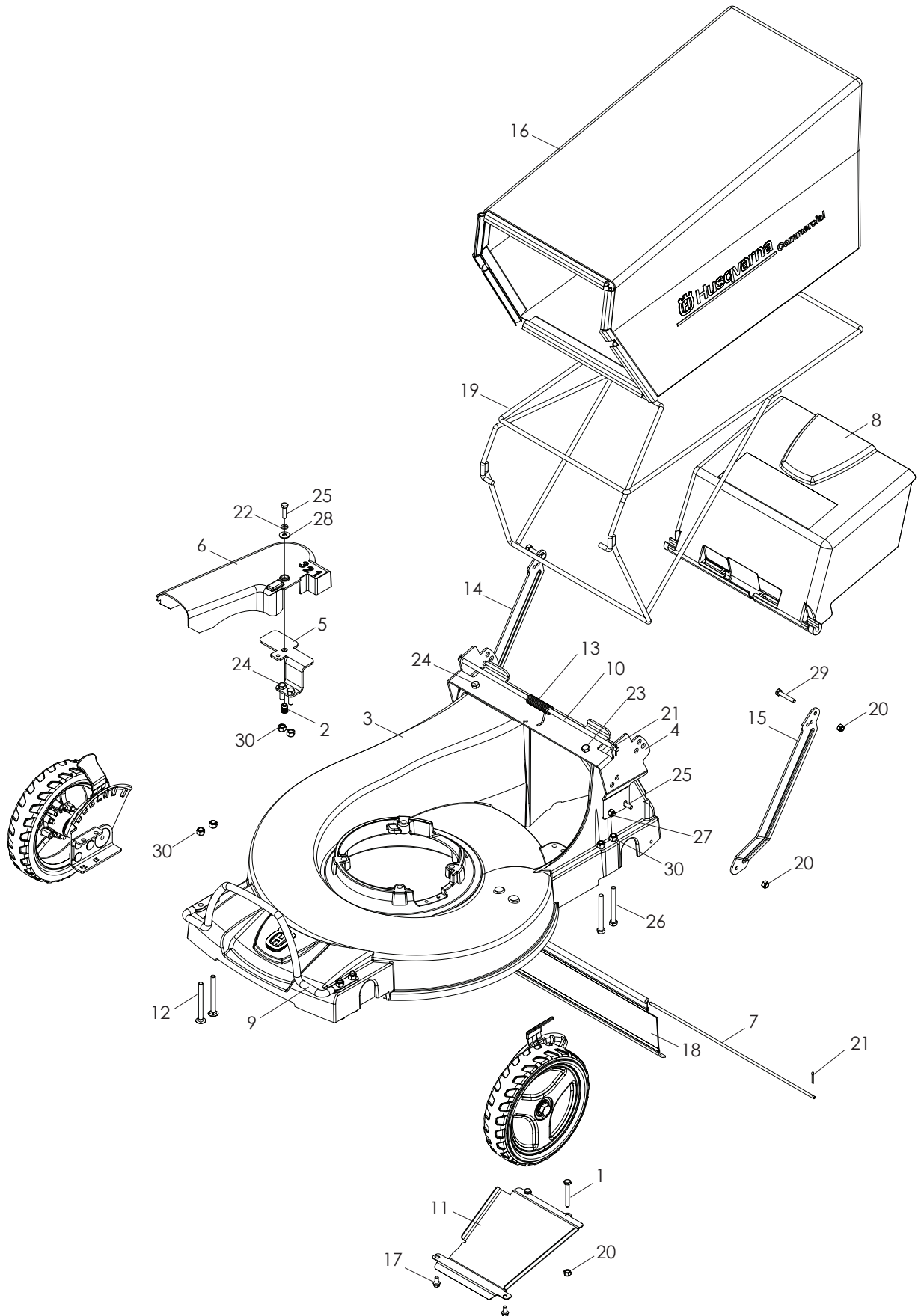


# W53CS, W53CSB

**Spare parts**  
**Ersatzteile**  
**Pièces détachées**  
**Reserve onderdelen**  
**Repuestos**  
**Reservdelar**

# CHASSIS / FRAME



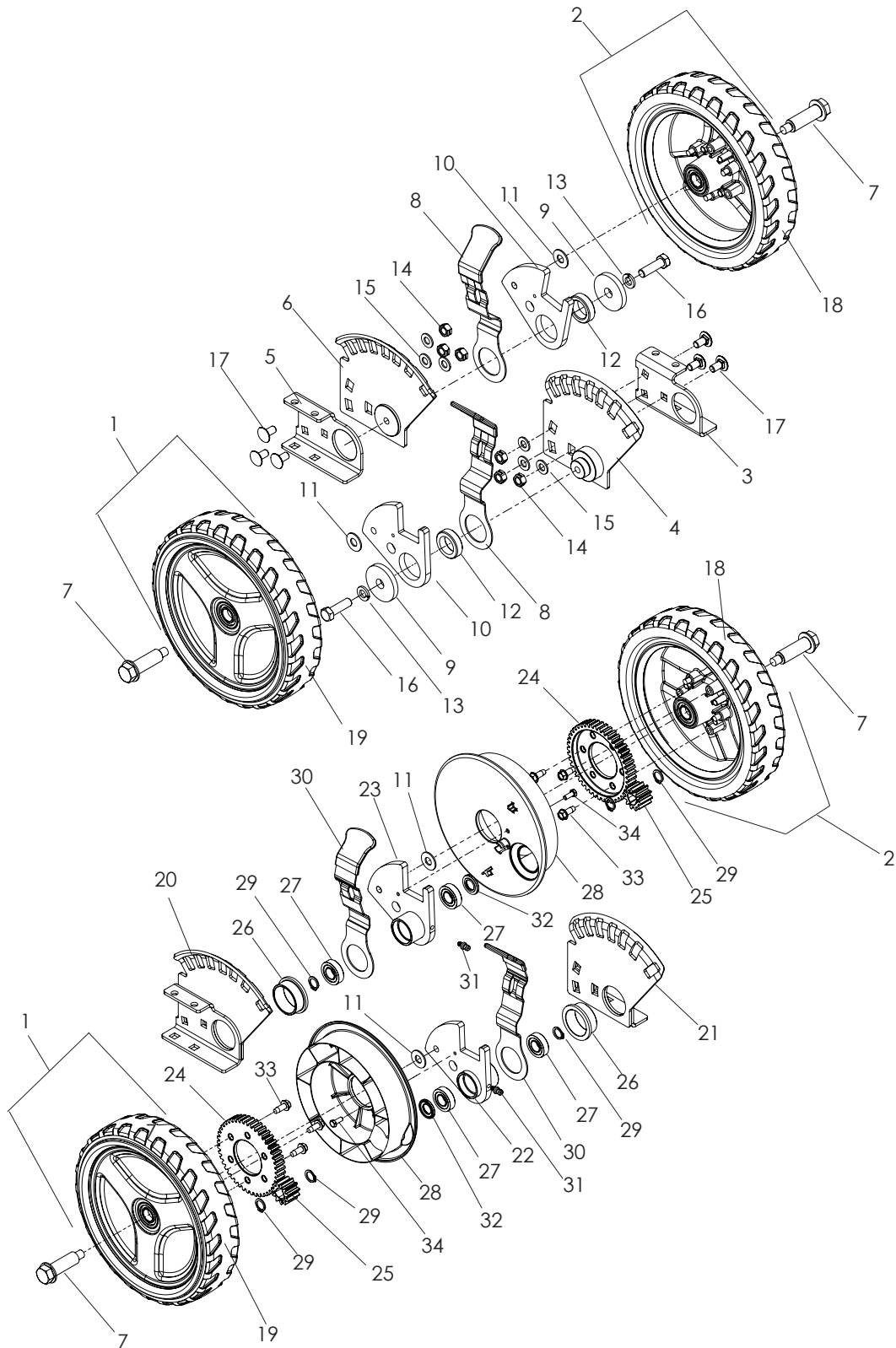
## CHASSIS / FRAME

---

ITEM	PART NO.	QTY.	DESCRIPTION	ITEM	PART NO.	QTY.	DESCRIPTION
1..	539 101313....	2	HCS ¼-20 x 2	17..	539 112793....	2	SCREW ¼-14 x ½ THD FRM
2..	539 108147....	1	NUT ¼-20, KRLD, SPEC	18..	539 130536....	1	REAR FLAP
3..	539 113049....	1	DECK W/DECALS	19..	539 113545....	1	BAG FRAME
4..	539 111521....	1	SADDLE, TOP	20..	539 976978....	8	NUT ¼-20 HEX NYLOC
5..	539 111530....	1	BRACKET, DECK	21..	539 990037....	4	PIN COTTER ³/₃₂ x ¾
6..	539 111536....	1	BELT SHIELD	22..	539 990052....	1	WASHER ¼
7..	539 111538....	1	FLAP ROD	23..	539 990206....	1	HCS ⁵/₁₆-18 x ¾
8..	539 111540....	1	DISCHARGE FLAP	24..	539 990209....	3	HCS ⁵/₁₆-18 x 1
9..	539 111863....	1	ENGINE GUARD	25..	539 990548....	3	HCS ¼-20 x 1
10..	539 111868....	1	HINGE ROD	26..	539 990553....	4	HCS ⁵/₁₆-18 x 3
11..	539 111964....	1	CHUTE BOTTOM	27..	539 990580....	2	HCS ¼-20 x ¾
12..	539 111977....	4	RHSNB ⁵/₁₆-18 x 3¼	28..	539 990598....	1	WASHER ¼
13..	539 111995....	1	SPRING, TORSION	29..	539 990639....	2	HCS ¼-20 x 1½
14..	539 112047....	1	HANDLE BRACE, RT	30..	539 990717..	12	NUT ⁵/₁₆-18 HEX NYLOC
15..	539 112111....	1	HANDLE BRACE, LT				
16..	539 112948....	1	GRASS BAG				

# WHEELS & TIRES

## SELF PROPELLED



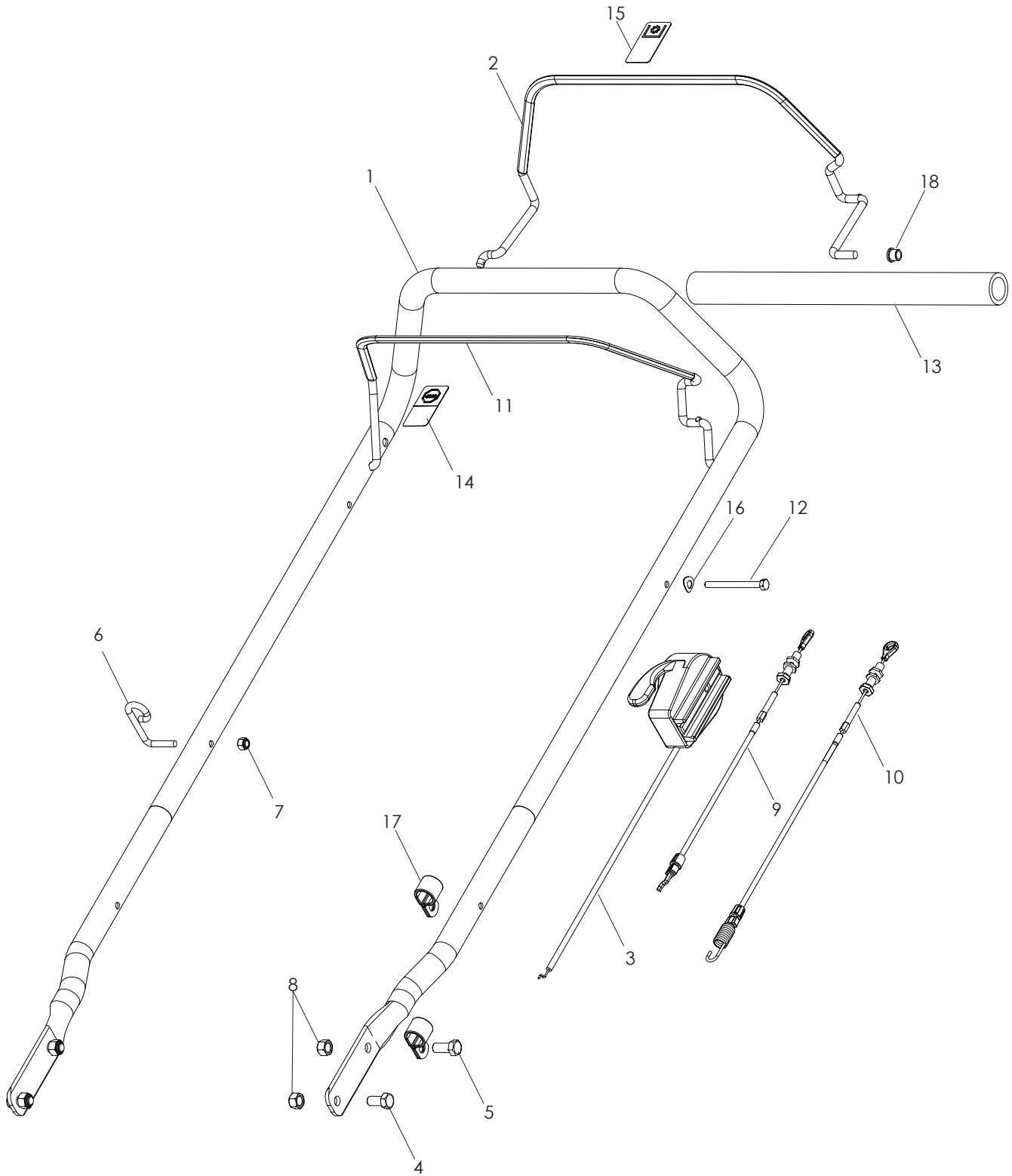
# WHEELS & TIRES

---

ITEM	PART NO.	QTY.	DESCRIPTION	ITEM	PART NO.	QTY.	DESCRIPTION
1..	539 111503	....1	.... WHEEL ASSEM, LT	20..	539 111513	....1	.... WHEEL MOUNT, LT
2..	539 111972	....1	.... WHEEL ASSEM, RT	21..	539 111875	....1	.... WHEEL MOUNT, RT
3..	539 111886	....1	.... FRONT DECK PLATE, LT	22..	539 111519	....1	.... OUTER WHEEL PLATE, LT
4..	539 111888	....1	.... FRONT PLATE, LT	23..	539 111867	....1	.... OUTER WHEEL PLATE, RT
5..	539 111887	....1	.... FRONT DECK PLATE, RT	24..	539 111509	....2	.... PINION GEAR, 11 TOOTH
6..	539 111889	....1	.... FRONT PLATE, RT	25..	539 111511	....2	.... DRIVEN GEAR, 45 TOOTH
7..	539 111873	....2	.... SHOULDER BOLT	26..	539 111516	....2	.... BUSHING
8..	539 111894	....2	.... LEVER	27..	539 111517	....4	.... BEARING, TRANS SHAFT
9..	539 106504	....2	.... WASHER <sup>3</sup> / <sub>8</sub> , SPEC	28..	539 111547	....2	.... DEBRIS GUARD
10..	539 111955	....2	.... WHEEL PLATE, FRONT	29..	539 111872	....6	.... RETAINING RING, 1/2, EXT
11..	539 112789	....4	.... WASHER AXLE	30..	539 111950	....2	.... LEVER
12..	539 110267	....2	.... BUSHING	31..	539 115638	....2	.... ZERK, <sup>3</sup> / <sub>16</sub> , DRIVE IN
13..	539 990118	....2	.... WASHER <sup>3</sup> / <sub>8</sub> SPLT LOCK	32..	539 113138	....2	.... SPACER, WASHER
14..	539 990184	....6	.... NUT <sup>5</sup> / <sub>16</sub> -18, CENTER LOCK	33..	539 990362	....6	.... SCREW 1/4-20 x <sup>5</sup> / <sub>8</sub> , SLF TAP
15..	539 990188	....6	.... WASHER <sup>5</sup> / <sub>16</sub> , SAE	34..	539 990411	....2	.... SCREW #10-24 x 1/2 SLT HEX
16..	539 976941	....2	.... HCS <sup>3</sup> / <sub>8</sub> -16 x 1 1/4	NOT SHOWN			
17..	539 990799	....6	.... RHSNB <sup>5</sup> / <sub>16</sub> -18 x <sup>5</sup> / <sub>8</sub>	539 111504	....4	.... BEARING, WHEEL	
18..	539 111971	....1	.... TIRE 9" RT				
19..	539 111502	....1	.... TIRE 9" LT				

# HANDLE & CONTROLS

SELF PROPELLED  
MODELS 968999289



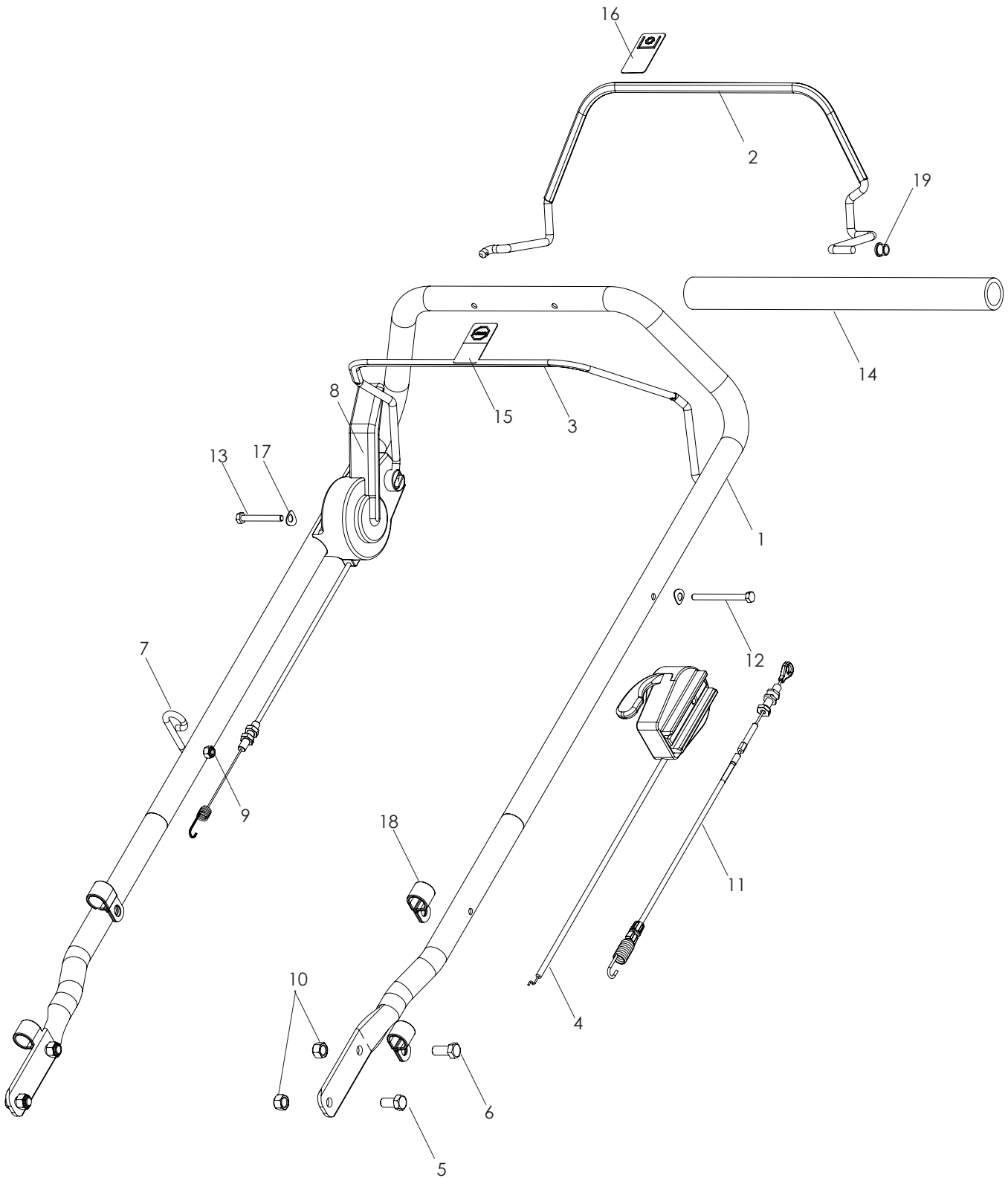
# HANDLE & CONTROLS

---

ITEM	PART NO.	QTY.	DESCRIPTION	ITEM	PART NO.	QTY.	DESCRIPTION
1..	539 113117	....1	.... HANDLE	10..	539 132202	....1	.... CABLE, GROUND DRIVE
2..	539 111993	....1	.... BAIL, GROUND DRIVE	11..	539 112908	....1	.... BAIL
3..	539 113108	....1	.... CABLE, THROTTLE	12..	539 112276	....1	.... HCS M6-1 x 70 GR 8.8
4..	539 990134	....4	.... HCS $\frac{3}{8}$ -16 x $\frac{3}{4}$	13..	539 122635	....1	.... GRIP, HANDLE
5..	539 108507	....2	.... HCS $\frac{3}{8}$ -16 x $\frac{7}{8}$	14..	539 113067	....1	.... DECAL, STOP SIGN
6..	539 112922	....1	.... ROPE GUIDE	15..	539 113068	....1	.... DECAL, PTO
7..	539 976978	....1	.... NUT $\frac{1}{4}$ -20 HEX NYLOC	16..	539 110488	....1	.... WASHER $\frac{5}{16}$ WAVE
8..	539 976979	....4	.... NUT $\frac{3}{8}$ -16 HEX NYLOC	17..	539 102685	....4	.... CLIP
9..	539 113109	....1	.... CABLE, ZONE	18..	539 132735	....1	.... BUSHING $\frac{5}{16}$ , BAIL

# HANDLE & CONTROLS

BLADE, BRAKE, CLUTCH (BBC)  
MODEL 968999287





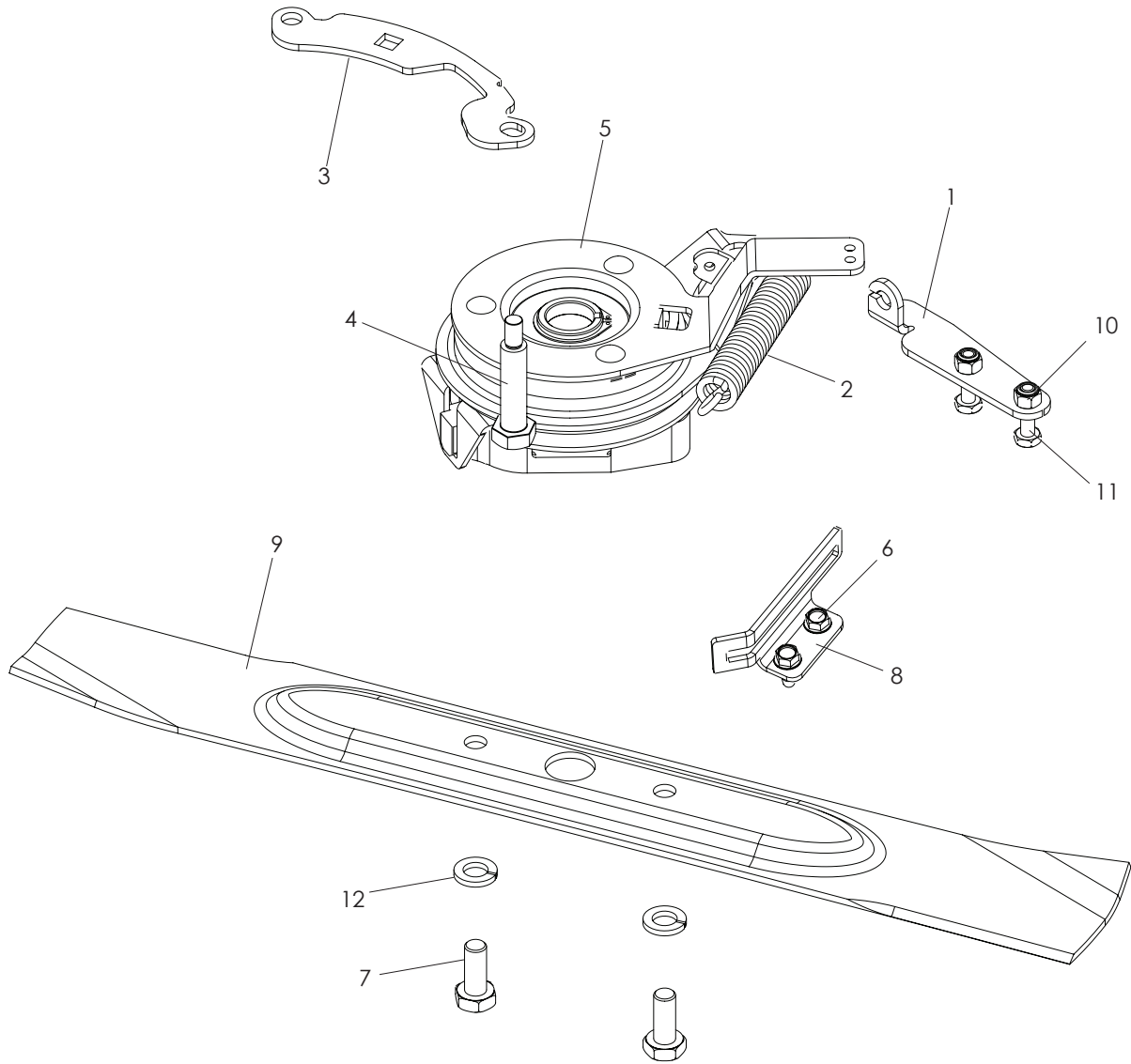
# HANDLE & CONTROLS

---

ITEM	PART NO.	QTY.	DESCRIPTION	ITEM	PART NO.	QTY.	DESCRIPTION
1..	539 113117	....1	.... HANDLE	11..	539 132202	....1	.... CABLE, GROUND DRIVE
2..	539 111993	....1	.... BAIL, GROUND DRIVE	12..	539 112276	....1	.... HCS M6-1 x 70 GR 8.8
3..	539 112907	....1	.... BAIL, BBC	13..	539 112277	....1	.... HCS M6-1 x 50 GR 8.8
4..	539 113113	....1	.... CABLE, THROTTLE BBC	14..	539 122635	....1	.... GRIP, HANDLE
5..	539 990134	....4	.... HCS $\frac{3}{8}$ -16 x $\frac{3}{4}$	15..	539 113067	....1	.... DECAL, STOP SIGN
6..	539 108507	....2	.... HCS $\frac{3}{8}$ -16 x $\frac{7}{8}$	16..	539 113068	....1	.... DECAL, PTO
7..	539 112922	....1	.... ROPE GUIDE	17..	539 110488	....2	.... WASHER $\frac{5}{16}$ WAVE
8..	539 113114	....1	.... BBC CONTROL	18..	539 102685	....4	.... CLIP
9..	539 976978	....1	.... NUT $\frac{1}{4}$ -20 HEX NYLOC	19..	539 132735	....1	.... BUSHING $\frac{5}{16}$ , BAIL
10..	539 976979	....4	.... NUT $\frac{3}{8}$ -16 HEX NYLOC				

# CUTTING EQUIPMENT

BLADE, BRAKE, CLUTCH (BBC CE)  
MODEL 968999287



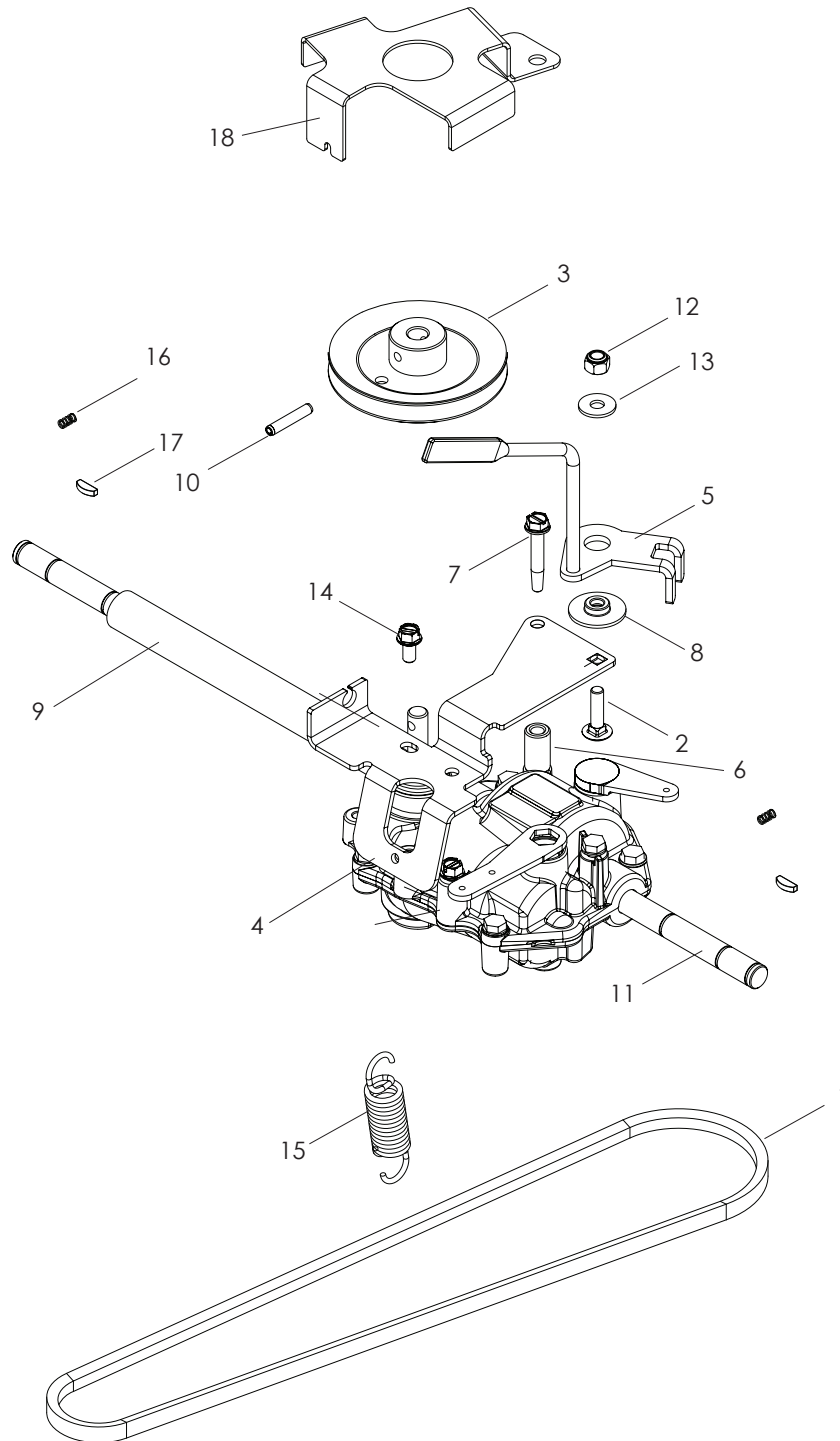
# CUTTING EQUIPMENT

---

ITEM	PART NO.	QTY.	DESCRIPTION	ITEM	PART NO.	QTY.	DESCRIPTION
1..	539 111543	....1 ....	BRACKET, CABLE	8..	539 113391	....1 ....	DECK GUARD, BBC
2..	539 111548	....1 ....	SPRING, CLUTCH	9..	539 130738	....1 ....	BLADE, W21, BBC
3..	539 111549	....1 ....	CLUTCH BRACKET		539 130811	....1 ....	BLADE W21 BBC MODEL 968999287
4..	539 111960	....1 ....	SHOULDER BOLT, ANCHOR	10..	539 976978	....2 ....	NUT 1/4-20 HEX NYLOC
5..	539 131276	....1 ....	BBC CLUTCH	11..	539 977761	....2 ....	HCS 1/4-20 x 1
6..	539 990362	....2 ....	SCREW 1/4-20 x 5/8, SLF TAP	12..	539 990247	....2 ....	LOCKWASHER 7/16
7..	539 111997	....2 ....	HCS M10-1.5 x 25 MM, GR 8				

# TRANSMISSION

## SELF PROPELLED



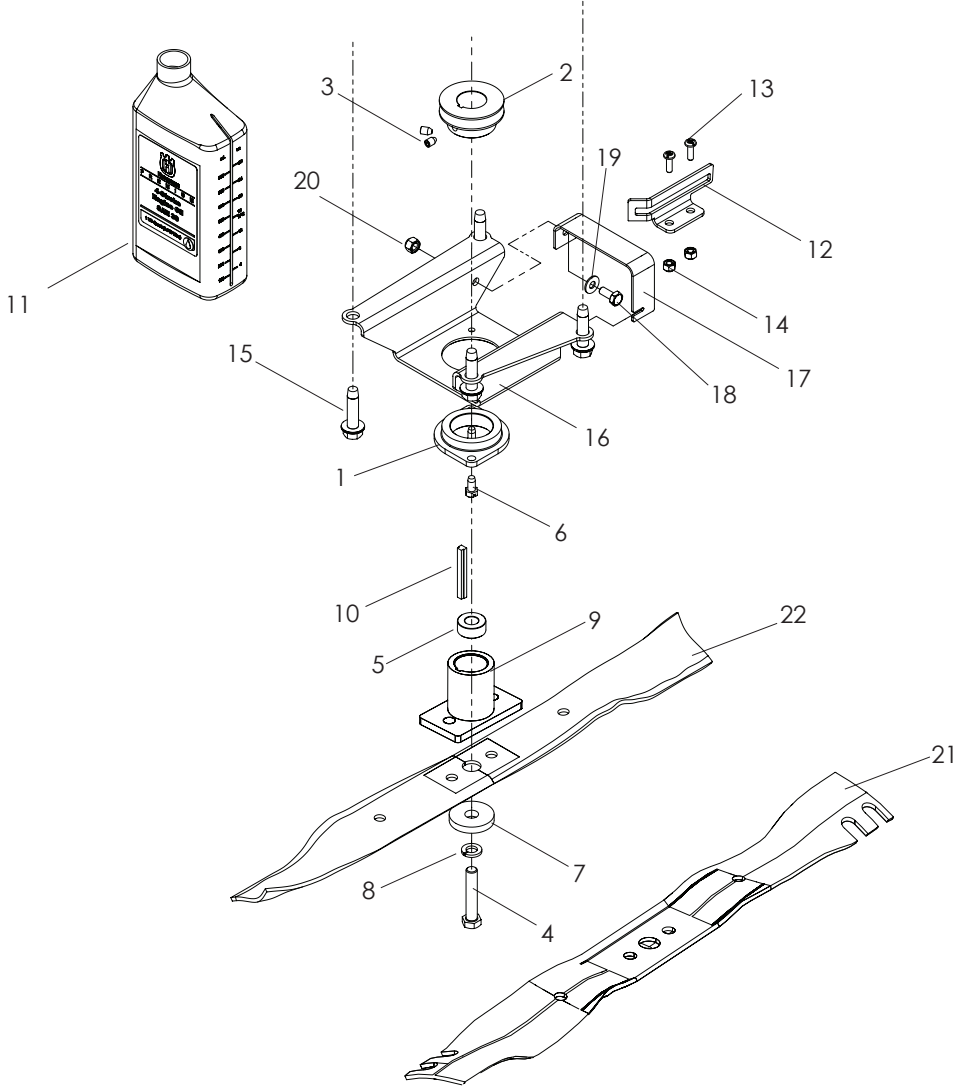
# TRANSMISSION

---

ITEM	PART NO.	QTY.	DESCRIPTION	ITEM	PART NO.	QTY.	DESCRIPTION
1..	539 111531	....1	BELT	10..	539 113100	....1	SPIRAL PIN, $\frac{3}{16}$ x $1\frac{1}{8}$
2..	539 109800	....1	RHSNB $\frac{1}{4}$ -20 x 1	11..	539 113139	....1	TRANSMISSION
3..	539 111528	....1	PULLEY, DRIVEN	12..	539 976978	....1	NUT $\frac{1}{4}$ -20 HEX NYLOC
4..	539 111529	....1	BRACKET, CABLE	13..	539 990598	....1	WASHER $\frac{1}{4}$
5..	539 111535	....1	SHIFTER	14..	539 991081	....2	SCREW $\frac{1}{4}$ -14 x $\frac{3}{4}$ , SELF TAP
6..	539 111877	....1	SPACER, TRANSMISSION	15..	539 111890	....1	SPRING, TRANSMISSION
7..	539 112046	....1	HCS $\frac{1}{4}$ -14 x $1\frac{1}{2}$ SLF TAP	16..	539 111891	....2	SPRING, KEY
8..	539 112911	....1	PIVOT BUSHING	17..	539 111893	....2	WOODRUFF KEY, SPECIAL
9..	539 112915	....1	SHAFT COVER	18..	539 131371	....1	BELT KEEPER, REAR

# ENGINE PLATE

KAWASAKI ZONE  
MODEL 968999289



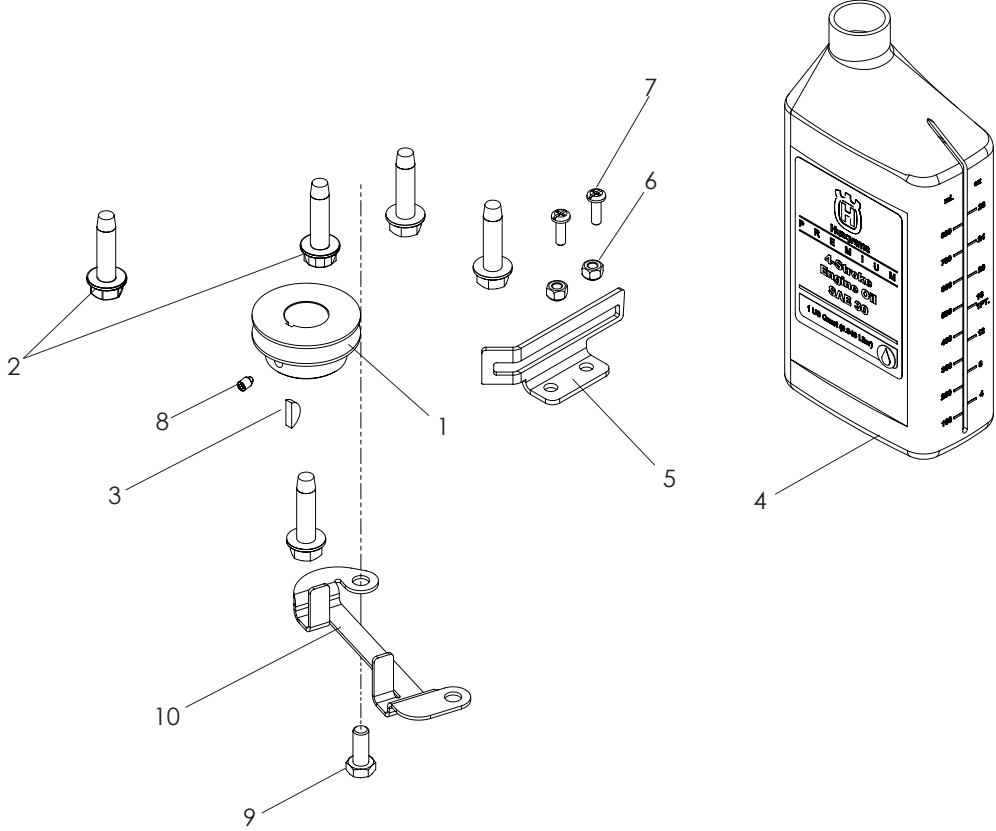
# ENGINE PLATE

---

ITEM	PART NO.	QTY.	DESCRIPTION	ITEM	PART NO.	QTY.	DESCRIPTION
1..	539 114921	....1	.... BEARING, SHAFT SUPPORT	13..	539 976952	....2	.... SCREW #10-24 x .625
2..	539 111527	....1	.... PULLEY, ENGINE	14..	539 976977	....2	.... NUT #10-24 HEX NYLOC
3..	539 108561	....2	.... SCREW 1/4-20 x 3/8 SET	15..	539 111970	....4	.... BOLT 3/8-16 x 1 1/2 THD FRM
4..	539 108506	....1	.... HCS 3/8-24 x 2, GR 8	16..	539 130595	....1	.... BRACKET, SHAFT SUPPORT
5..	539 111975	....1	.... SPACER, BLADE DRIVER	17..	539 131648	....1	.... BELT KEEPER, FRONT
6..	539 105532	....3	.... SCREW 1/4-20 SLF TAP	18..	539 990072	....1	.... HCS 1/4-20 x 5/8
7..	539 110064	....1	.... WASHER CLUTCH	19..	539 990055	....1	.... WASHER 1/4 FLAT SAE
8..	539 990118	....1	.... WASHER 3/8 SPLT LOCK	20..	539 976978	....1	.... NUT 1/4-20 HEX NYLOC
9..	539 111526	....1	.... ADAPTER, BLADE	21..	539 113233	....1	.... BLADE, 21" MODEL 968999289
10..	539 112794	....1	.... KEY, STEPPED				
11..	539 112946	...1	... OIL, QT BOTTLE				
12..	539 113391	....1	.... DECK GUARD, BBC				

# ENGINE PLATE

KAWASAKI BBC  
MODEL 968999287





# ENGINE PLATE

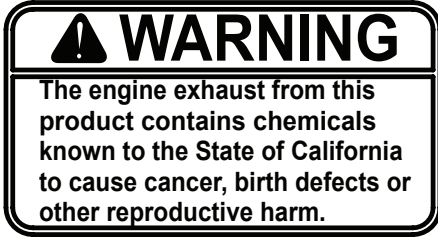
---

ITEM	PART NO.	QTY.	DESCRIPTION	ITEM	PART NO.	QTY.	DESCRIPTION
1..	539 111525	....1	....PULLEY, ENGINE	8..	539 108561	....2	....SCREW 1/4-20 x 3/8 SET
2..	539 111970	....4	....BOLT 3/8-16 x 1 1/2 THD FRM	9..	539 300600	....1	....HCS M8 x 1.25 x 20 MODEL 968999287 ONLY
3..	539 910008	....1	....KEY, WOODRUFF	10..	539 131363	....1	....BELT KEEPER, FRONT MODEL 968999287 ONLY
4..	539 112946	....1	....OIL, QT BOTTLE				
5..	539 113391	....1	....DECK GUARD, BBC				
6..	539 976977	....2	....NUT #10-24 HEX NYLOC				
7..	539 976952	....2	....SCREW #10-24 x .625				

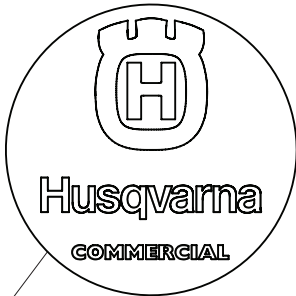
# DECALS



3



6



1



4



5



7



2



8

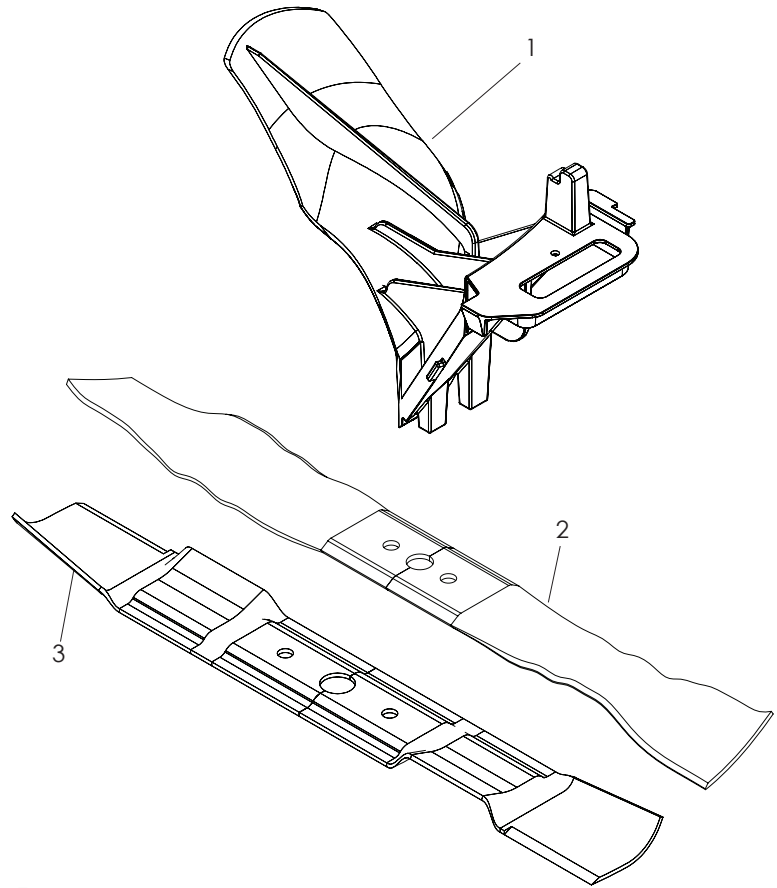
# DECALS

---

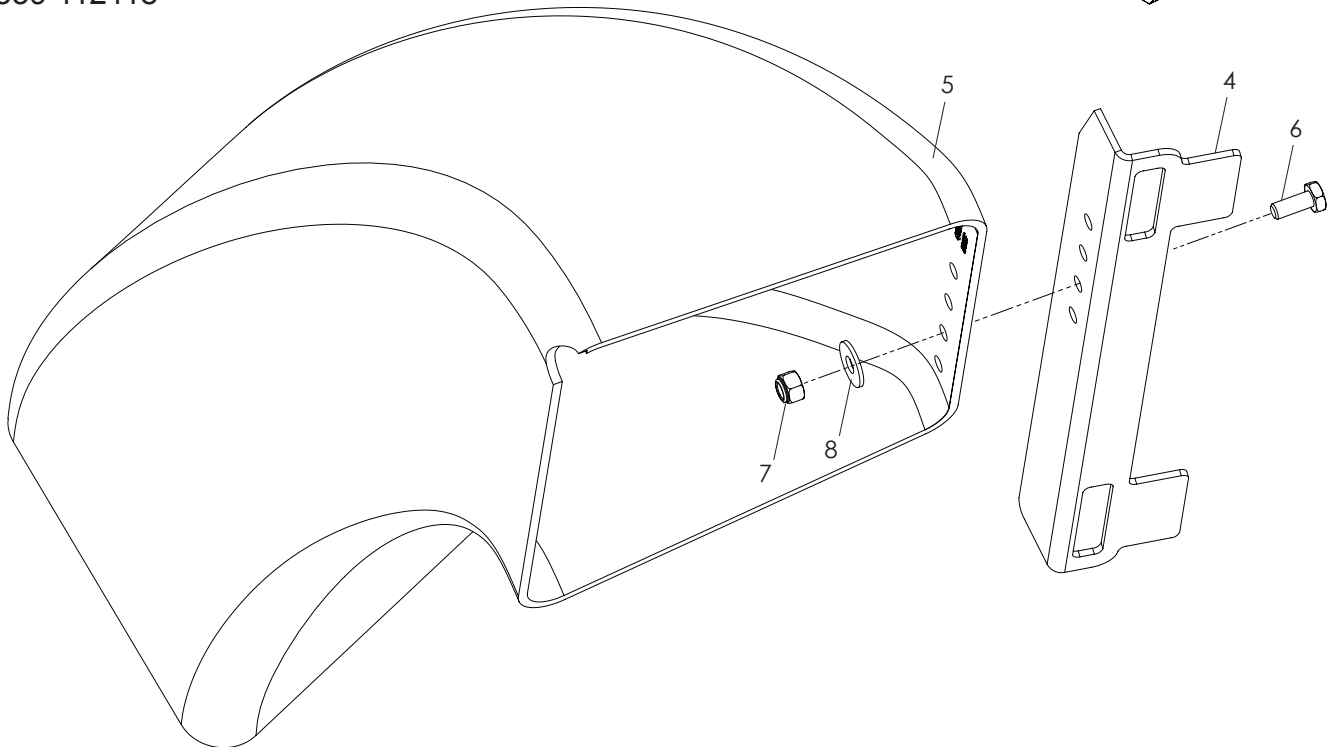
ITEM	PART NO.	QTY.	DESCRIPTION	ITEM	PART NO.	QTY.	DESCRIPTION
1..	539 130239....	1 ....	DECAL, CROWN ROUND	5..	539 113224....	1 ....	DECAL, WARNING
2..	539 913010....	1 ....	DECAL, CPSC	6..	539 101881....	1 ....	DECAL, PROP 65
3..	539 130240....	1 ....	DECAL, WARNING MULTILINGUAL				
4..	539 111514 ....	1 ....	DECAL, WARNING				

# ACCESSORIES

MULCH KIT  
539 113052 (BRAKE)  
MULCH KIT  
539 113051 (BBC)



SIDE DISCHARGE  
539 112118



# ACCESSORIES

---

ITEM	PART NO.	QTY.	DESCRIPTION
1..	539 111515	....1 ....	MULCH PLUG
2..	539 111878	....1 ....	BLADE, 21", MULCH
3..	539 111958	....1 ....	BLADE, 21", BBC MULCH
4..	539 112119	....1 ....	RAIL

ITEM	PART NO.	QTY.	DESCRIPTION
5..	539 112117	....1 ....	SIDE CHUTE, MOLDED
6..	539 990072	....4 ....	HCS ¼-20 x 5/8
7..	539 976978	....4 ....	NUT ¼-20 HEX NYLOC
8..	539 990598	....4 ....	WASHER, ¼ STD FLT