



# STATUS®

**ENG**

**DRILL**

Original instructions

**DE**

**BOHRMASCHINE**

Originalbetriebsanleitung

**IT**

**TRAPANO**

Istruzioni originali

**BG**

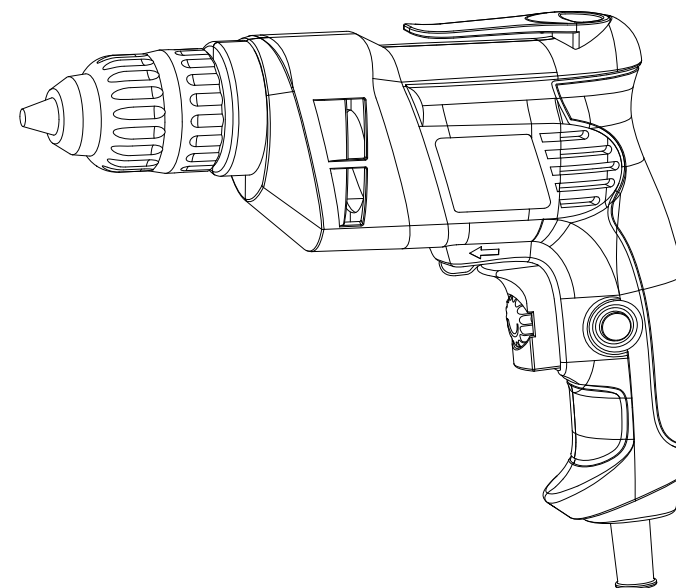
**БОРМАШИНА**

Оригинална инструкция за използване

**RU**

**ДРЕЛЬ**

Оригинальная инструкция по эксплуатации

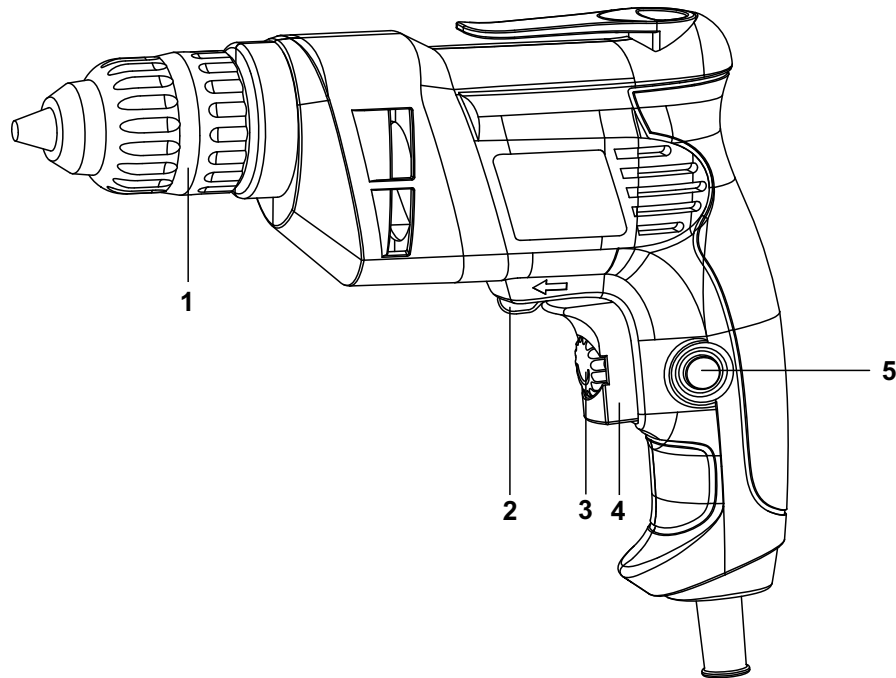


**D380**





A



### INTENDED USE

This electric drill is intended for the drilling of wood, plastic, and metal working, as well as tightening and loosening screws.

Only adults may use this tool.

Any other usage is inappropriate. Tampering with, or using parts which were not reviewed or approved by the manufacturer, is also inappropriate. Inappropriate use may cause unpredictable damage to the user and surrounding objects.

The manufacturer assumes no responsibility for damages resulting from inappropriate usage.

### SAFETY ADVICE

#### **WARNING!**

Read all instructions carefully. Failure to follow all instructions listed below may result in electric shock, fire and/or serious injury.

The term "power tool" in all the warnings listed below refers to your mains operated (corded) power tool or battery operated (cordless) power tool.

#### **SAVE THESE INSTRUCTIONS**

##### **1) WORK AREA**

- Keep work area clean and well lit. Cluttered and dark areas incite accidents.
- Do not operate power tools in explosive atmospheres, such as in the presence of flammable liquids, gases or dust. Power tools create sparks which may ignite the dust or fumes.
- Keep children and bystanders away while operating a power tool. Distractions can cause you to lose control.

##### **2) ELECTRICAL SAFETY**

- Power tool plugs must match the outlet. Never modify the plug in any way. Do not use any adapter plugs with earthed (grounded) power tools. Unmodified plugs and matching outlets will reduce risk of electric shock.
- Avoid body contact with earthed or grounded surfaces such as pipes, radiators, ranges and refrigerators. There is an increased risk of electric shock if your body is earthed or grounded.
- Do not expose power tools to rain or wet conditions. Water entering a power tool will increase the risk of electric shock.
- Do not abuse the cord. Never use the cord for carrying, pulling or unplugging the power tool. Keep cord away from heat, oil, sharp edges or moving parts. Damaged or entangled cords increase the risk of electric shock.
- When operating a power tool outdoors, use an extension cord suitable for outdoor use. Use of a cord suitable for outdoor use reduces the risk of electric shock.
- Connect the electric power tool to electricity, using a 16/25 A maximum secure contact protected outlet (230/120V~, 50/60 Hz). We recommend you to attach a residual current circuit-breaker (RCD) that does not exceed 30mA.

## 2. SAFETY ADVICE

### 3) PERSONAL SAFETY

- Stay alert, watch what you are doing and use common sense when operating a power tool. Do not use a power tool while you are tired or under the influence of drugs, alcohol or medication. A moment of inattention while operating power tools may result in serious personal injury.
- Use safety equipment. Always wear eye protection. Safety equipment such as dust mask, non-skid safety shoes, hard hat, or hearing protection used for appropriate conditions will reduce personal injuries.
- Avoid accidental starting. Ensure the switch is in the off position before plugging in. Carrying power tools with your finger on the switch or plugging in power tools that have the switch on invites accidents.
- Remove any adjusting key or wrench before turning the power tool on. A wrench or a key left attached to a rotating part of the power tool may result in personal injury.
- Do not overreach. Keep proper footing and balance at all times. This enables better control of the power tool in unexpected situations.
- Dress properly. Do not wear loose clothing or jewellery. Keep your hair, clothing and gloves away from moving parts. Loose clothes, jewellery or long hair can be caught in moving parts.
- If devices are provided for the connection of dust extraction and collection facilities, ensure these are connected and properly used. Use of these devices can reduce dust related hazards.

### 4) POWER TOOL USE AND CARE

- Do not force the power tool. Use the correct power tool for your application. The correct power tool will do the job better and safer at the rate for which it was designed.
- Do not use the power tool if the switch does not turn it on and off. Any power tool that cannot be controlled with the switch is dangerous and must be repaired.
- Disconnect the plug from the power source before making any adjustments, changing accessories, or storing power tools. Such preventive safety measures reduce the risk of starting the power tool accidentally.
- Store idle power tools out of the reach of children and do not allow persons unfamiliar with the power tool or these instructions to operate the power tool. Power tools are dangerous in the hands of untrained users.
- Maintain power tools. Check for misalignment or binding of moving parts, breakage of parts and any other condition that may affect the power tools operation. If damaged, have the power tool repaired before use. Many accidents are caused by poorly maintained power tools.
- Keep cutting tools sharp and clean. Properly maintained cutting tools with sharp cutting edges are less likely to bind and easier to control.

## 3. PARTS AND ACCESSORIES 4. PRIOR TO INITIAL OPERATION

- Use the power tool, accessories and tool bits etc., in accordance with these instructions and in the manner intended for the particular type of power tool, taking into account the working conditions and the work to be performed. Use of the power tool for operations different from intended could result in a hazardous situation.

### 5) SERVICE

- Have your power tool serviced by a qualified repair person using only identical replacement parts. This will ensure that the safety of the power tool is maintained.

#### Additional safety instructions for your electric drill

- Do not use the electric power tool with a damaged cable. Do not move the damaged cable, and pull out the power plug if the cable becomes damaged during operation. Damaged cables increase the risk of electric shock.
- If the replacement of the supply cord is necessary, this has to be done by the manufacturer or his agent in order to avoid a safety hazard.
- Materials containing asbestos may not be worked on. Fine dust particles can remain in the air, despite the installation of a dust vacuum, and can greatly endanger your health.

---

#### PARTS AND ACCESSORIES

---

1. Chuck
2. Left/right rotation switch L/R
3. Speed dial
4. On/off button
5. Lock-on button

---

#### PRIOR TO INITIAL OPERATION

---

- Make sure the power supply voltage corresponds to the value indicated on the name plate with technical data of the tool.
- Always check the position of ON/OFF trigger. The power tool must be connected to the power supply socket only when this trigger is in OFF position. If the plug is connected to a receptacle while the trigger is in the ON position, the power tool will start operating immediately, which could cause a serious accident.
- Make sure that the cord and the plug are in order. If the replacement of the supply cord is necessary, this has to be done by the manufacturer or his agent in order to avoid a safety hazard.

#### WARNING!

**Always switch off and unplug the power tool prior to any adjustment, servicing or maintenance.**

- In case the work area is remote from the power source, use as short as practicable extension cord with proper cross-section.

### OPERATION

This power tool is supplied from single-phase alternating current mains only. It is double insulated according to EN 60745-1 and IEC 60745 and can be connected to grounded or not grounded sockets. This power tool is radio suppressed in compliance with EMC Directive.

This power tool is designed for drilling in steel, wood, plastics, etc.

This power tool is not designed for drilling in concrete and other brittle materials.

#### SWITCHING ON - SWITCHING OFF

Brief activation

- Switching on: press ON/OFF trigger 4.
- Switching off: release ON/OFF trigger 4.

Continuous use

- Switching on: press ON/OFF trigger 4 and in pressed position lock it by button 5.
- Switching off: press ON/OFF trigger 4 once and release it immediately

#### SMOOTH ELECTRONIC RPM CONTROL

Light pressure on ON/OFF trigger 4 results in low rotation speed, further pressing the switch results in a smooth increase of the rpm to maximum when reaching the extreme position.

#### SELECTION OF RPM VALUE

The necessary speed can be preselected by rotating the regulator dial 3 clockwise or anti-clockwise.

#### REVERSING

The extreme position of lever 2 to the right is equivalent to clockwise rotation, the extreme position to the left - to anti-clockwise rotation.

**WARNING:** Prior to operation always check the direction of rotation.

Shift the reversing button only when the spindle has come to a complete stop.

Reversing prior to final spindle halt may damage the power tool.

#### INSERTING AND FASTENING DRILL BITS

##### For keyed chuck drills

Through turning the collar of the chuck 1 clockwise or anti-clockwise the jaws are positioned so the drill bit shank can be inserted inside the choke. By turning the collar of chuck 1 clockwise the jaws tighten the drill bit shank. Fix the drill bit finally in the chuck by means of the special chuck key tightening equally in all three bores.

##### For keyless chuck drills

Grip rear collar of keyless chuck 1 and rotate front collar until chuck is opened sufficiently for the tool to be inserted. Grip rear collar and manually rotate front collar until tight.

#### REMOVING THE CHUCK

##### For keyed chuck drills

Open the jaws of chuck 1 completely, and by means a screwdriver unwind the left-treaded securing screw. Fix the drill spindle with an open end spanner.

Put the special key for chuck tightening in one of the three bores and rotate the chuck anti-clockwise, using the chuck key as a lever, to unscrew chuck 2 from the

drill spindle.

#### For keyless chuck drills

Grip rear collar of keyless chuck 1 and rotate front collar until chuck is opened.

By means a screwdriver unwind the left-treaded securing screw. Insert allen key or screwdriver bit into the chuck and clamp its free end in appropriate way.

Clamp by means of a spanner the place for fixing the spindle and rotate the chuck anticlockwise by the free end of the key (bit).

#### SCREWING/UNSCREWING BOLTS, SCREWS AND NUTS

Following the above-described procedure, tighten the corresponding accessory in the chuck.

Select the required operation screwing or unscrewing by reversing lever 2. These operations must be performed only at low rpm.

**WARNING:** In case of screwing/unscrewing long bolts and screws there is a danger of slipping the drill.

#### RECOMMENDATION FOR SCREWING

- Use the proper bits for screwing, with appropriate shape and size.
- In soft wood the suitable screws can be screwed in without preliminary drilling a small pilot hole;
- For hard wood preliminary drilling a small pilot hole is necessary;
- For sunk-head screws the hole must be preliminary spot-faced.
- For pivot screws, drill preliminary the seat for the screw for approximately half its length.

#### RECOMMENDATIONS FOR OPERATION

Watch out the stage of blunting of the bit and change or sharpen it if considerable decrease of efficiency is observed. Before drilling large-diameter holes, drill a small pilot hole.

#### ACCESSORIES TO BE USED WITH THIS POWER TOOL

- Drill bits for metal with diameter according to the technical specifications.
- Drill bits for wood with diameter according to the technical specifications.
- 6,35 mm (1/4") hexagon shank screwdriver bits

### MAINTENANCE

**WARNING: Always ensure that the tool is switched off and unplugged before attempting to perform inspection or maintenance.**

#### GENERAL INSPECTION

Regularly inspect all fasteners and ensure they are properly tightened. Should any of the screws be loose, retighten it immediately to avoid hazards. If the replacement of the supply cord is necessary, this has to be done by the manufacturer or his agent in order to avoid a safety hazard. Re-lubricate all moving parts at regular intervals.

#### CLEANING

For safe operation always keep the machine and its ventilation slots clean.

Regularly check to see if any dust or foreign matter has entered the ventilation slots

## 7. TECHNICAL DATA

## 8. CE DECLARATION OF CONFORMITY

and the grills around the switches. Use a soft brush and/or air jet to remove any accumulated dust. Wear safety glasses to protect your eyes whilst cleaning. Exterior plastic parts may be cleaned with a damp cloth and mild detergent if necessary.

**WARNING:** Never use alcohol, petrol or other cleaning agent. Never use caustic agents to clean plastic parts.

**WARNING:** Water must never come into contact with the tool.

**IMPORTANT!** To assure product safety and reliability, repairs, maintenance and adjustment (including brush inspection and replacement) should be performed by certified service centres or other qualified service organisations, always using genuine replacement parts.

### TECHNICAL DATA

Model	D380	Maximum drilling depth:	
Operating power	230V~50 Hz	Wood	20 mm
Capacity	380W	Steel	10 mm
Idle rotation speed n.	0-3000/min		
Chuck capacity	10 mm		
Weight	1,4 kg		

### Noise and vibration information

Noise emission (measured values determined according to EN 60745):

A-weighted sound pressure level $L_{pA}$	dB(A)	Uncertainty $K_{pA}$	3.0 dB
A-weighted sound power level $L_{wA}$	dB(A)	Uncertainty $K_{wA}$	3.0 dB

### Wear hearing protection!

**Vibration emission** Total vibration values (vector sum in the three axes) determined according to EN 60745

Vibration emission value $a_{hID}$	m/s <sup>2</sup>
Uncertainty K	1.5 m/s <sup>2</sup>

### CE DECLARATION OF CONFORMITY

We STATUS ITALIA S.R.L. as the responsible manufacturer declare that the following STATUS machine(s): Impact Drill Model No./ Type: D380 are of series production and conforms to the following European Directives: 2014/30/EU, And are manufactured in accordance with the following standards or standardised documents: EN 55014-1:2006 + A1:2009+A2:2011, EN55014-2:2015, EN 61000-3-2:2014, EN 61000-3-3:2013

The technical documentation kept by the manufacturer: STATUS ITALIA S.R.L., via Aldo Moro, 14/A, 36060 - Pianezze (VI), ITALY

Caron Giacinto  
Director  
STATUS ITALIA S.R.L.

## 1. ALLGEMEINE SICHERHEITSHINWEISE

### ALLGEMEINE SICHERHEITSHINWEISE

**WARNUNG:** Lesen Sie alle Sicherheitshinweise und Anweisungen. Versäumnisse bei der Einhaltung der Sicherheitshinweise und Anweisungen können elektrischen Schlag, Brand und/oder schwere Verletzungen verursachen.

**Bewahren Sie alle Sicherheitshinweise und Anweisungen für die Zukunft auf.** Der in den Sicherheitshinweisen verwendete Begriff „Elektrowerkzeug“ bezieht sich auf netzbetriebene Elektrowerkzeuge (mit Netzkabel) und auf akkubetriebene Elektrowerkzeuge (ohne Netzkabel).

### ARBEITSPLATZSICHERHEIT

- **Halten Sie Ihren Arbeitsbereich sauber und gut beleuchtet.** Unordnung oder unbeleuchtete Arbeitsbereiche können zu Unfällen führen.
- **Arbeiten Sie mit dem Elektrowerkzeug nicht in explosionsgefährdeter Umgebung, in der sich brennbare flüssigkeiten, Gase oder Stäube befinden.** Elektrowerkzeuge erzeugen Funken, die den Staub oder die Dämpfe entzünden können.
- **Halten Sie Kinder und andere Personen während der Benutzung des Elektrowerkzeugs fern.** Bei Ablenkung können Sie die Kontrolle über das Gerät verlieren.

### ELEKTRISCHE SICHERHEIT

- **Der Anschlussstecker des Elektrowerkzeuges muss in die Steckdose passen. Der Stecker darf in keiner Weise verändert werden. Verwenden Sie keine Adapterstecker gemeinsam mit schutzgeerdeten Elektrowerkzeugen.** Unveränderte Stecker und passende Steckdosen verringern das Risiko eines elektrischen Schlages.
- **Vermeiden Sie Körperkontakt mit geerdeten Oberflächen wie von Rohren, Heizungen, Herden und Kühlschränken.** Es besteht ein erhöhtes Risiko durch elektrischen Schlag, wenn Ihr Körper geerdet ist.
- **Halten Sie Elektrowerkzeuge von Regen oder Nässe fern.** Das Eindringen von Wasser in ein Elektrowerkzeug erhöht das Risiko eines elektrischen Schlages.
- **Zweckentfremden Sie das Kabel nicht, um das Elektrowerkzeug zu tragen, aufzuhängen oder um den Stecker aus der Steckdose zu ziehen. Halten Sie das Kabel fern von Hitze, Öl, scharfen Kanten oder sich bewegenden Geräteteilen.** Beschädigte oder verwickelte Kabel erhöhen das Risiko eines elektrischen Schlages.
- **Wenn Sie mit einem Elektrowerkzeug im freien arbeiten, verwenden Sie nur Verlängerungskabel, die auch für den Außenbereich geeignet sind.** Die Anwendung eines für den Außenbereich geeigneten Verlängerungskabels verringert das Risiko eines elektrischen Schlages.
- **Wenn der Betrieb des Elektrowerkzeuges in feuchter Umgebung nicht vermeidbar ist, verwenden Sie einen fehlerstromschutzschalter.** Der Einsatz eines Fehlerstromschutzschalters vermindert das Risiko eines elektrischen Schlages.

### SICHERHEIT VON PERSONEN

- **Seien Sie aufmerksam, achten Sie darauf, was Sie tun, und gehen Sie mit Vernunft an die Arbeit mit einem Elektrowerkzeug. Benutzen Sie kein**

## 1. ALLGEMEINE SICHERHEITSHINWEISE

**Elektrowerkzeug, wenn Sie müde sind oder unter dem Einfluss von Drogen, Alkohol oder Medikamenten stehen.** Ein Moment der Unachtsamkeit beim Gebrauch des Elektrowerkzeuges kann zu ernsthaften Verletzungen führen.

- **Tragen Sie persönliche Schutzausrüstung und immer eine Schutzbrille.** Das Tragen persönlicher Schutzausrüstung, wie Staubmaske, rutschfeste Sicherheitsschuhe, Schutzhelm oder Gehörschutz, je nach Art und Einsatz des Elektrowerkzeuges, verringert das Risiko von Verletzungen.
- **Vermeiden Sie eine unbeabsichtigte Inbetriebnahme. Vergewissern Sie sich, dass das Elektrowerkzeug ausgeschaltet ist, bevor Sie es an die Stromversorgung und/oder den Akku anschließen, es aufnehmen oder tragen.** Wenn Sie beim Tragen des Elektrowerkzeuges den Finger am Schalter haben oder das Gerät eingeschaltet an die Stromversorgung anschließen, kann dies zu Unfällen führen.
- **Entfernen Sie Einstellwerkzeuge oder Schraubenschlüssel, bevor Sie das Elektrowerkzeug einschalten.** Ein Werkzeug oder Schlüssel, der sich in einem drehenden Geräteteil befindet, kann zu Verletzungen führen.
- **Vermeiden Sie eine abnormale Körperhaltung. Sorgen Sie für einen sicheren Stand und halten Sie jederzeit das Gleichgewicht.** Dadurch können Sie das Elektrowerkzeug in unerwarteten Situationen besser kontrollieren.
- **Tragen Sie geeignete Kleidung. Tragen Sie keine weite Kleidung oder Schmuck. Halten Sie Haare, Kleidung und Handschuhe fern von sich bewegenden Teilen.** Lockere Kleidung, Schmuck oder lange Haare können von sich bewegenden Teilen erfasst werden.
- **Wenn Staubabsaug- und -auffangeinrichtungen montiert werden können, vergewissern Sie sich, dass diese angeschlossen sind und richtig verwendet werden.** Verwendung einer Staubabsaugung kann Gefährdungen durch Staub verringern.

### VERWENDUNG UND BEHANDLUNG DES ELEKTROWERKZEUGES

- **Überlasten Sie das Gerät nicht. Verwenden Sie für Ihre Arbeit das dafür bestimmte Elektrowerkzeug.** Mit dem passenden Elektrowerkzeug arbeiten Sie besser und sicherer im angegebenen Leistungsbereich.
- **Benutzen Sie kein Elektrowerkzeug, dessen Schalter defekt ist.** Ein Elektrowerkzeug, das sich nicht mehr ein- oder ausschalten lässt, ist gefährlich und muss repariert werden.
- **Ziehen Sie den Stecker aus der Steckdose und/oder entfernen Sie den Akku, bevor Sie Geräteeinstellungen vornehmen, Zubehörteile wechseln oder das Gerät weglegen.** Diese Vorsichtsmaßnahme verhindert den unbeabsichtigten Start des Elektrowerkzeuges.
- **Bewahren Sie unbenutzte Elektrowerkzeuge außerhalb der Reichweite von Kindern auf.** Lassen Sie Personen das Gerät nicht benutzen, die mit diesem nicht vertraut sind oder diese Anweisungen nicht gelesen haben. Elektrowerkzeuge sind gefährlich, wenn Sie von unerfahrenen Personen benutzt werden.
- **Pflegen Sie Elektrowerkzeuge mit Sorgfalt. Kontrollieren Sie, ob bewegliche Teile einwandfrei funktionieren und nicht klemmen, ob Teile gebrochen oder**

## 2. ZUSÄTZLICHE SICHERHEITSHINWEISE

so beschädigt sind, dass die Funktion des Elektrowerkzeuges beeinträchtigt ist. Lassen Sie beschädigte Teile vor dem Einsatz des Gerätes reparieren. Viele Unfälle haben ihre Ursache in schlecht gewarteten Elektrowerkzeugen.

- **Halten Sie Schneidwerkzeuge scharf und sauber.** Sorgfältig gepflegte Schneidwerkzeuge mit scharfen Schneidkanten verklemmen sich weniger und sind leichter zu führen.
- **Verwenden Sie Elektrowerkzeug, Zubehör, Einsatzwerkzeuge usw. entsprechend diesen Anweisungen. Berücksichtigen Sie dabei die Arbeitsbedingungen und die auszuführende Tätigkeit.** Der Gebrauch von Elektrowerkzeugen für andere als die vorgesehenen Anwendungen kann zu gefährlichen Situationen führen.

### SERVICE

- **Lassen Sie Ihr Elektrowerkzeug nur von qualifiziertem Fachpersonal und nur mit Original-Ersatzteilen reparieren.** Damit wird sichergestellt, dass die Sicherheit des Elektrowerkzeuges erhalten bleibt.

### ZUSÄTZLICHE SICHERHEITSHINWEISE

- **Verwenden Sie während der Arbeit geeignete Augenschutzmittel um sich vor fliegenden Teilchen zu schützen.** Tragen Sie eine Schutzbrille.
- **Treffen Sie Schutzmaßnahmen gegen das Einatmen von Staub.** Manche Werkstoffe können toxische Bestandteile enthalten. Tragen Sie eine Staubschutzmaske. Benutzen Sie eine Vorrichtung zur Staubableitung, falls der Anschluss an das Elektrowerkzeug möglich ist.
- **Halten Sie das Elektrowerkzeug nur an den isolierten Oberflächen, wenn sie eine Arbeit ausführen, bei der das Einsatzwerkzeug eine verborgene Elektroinstallation oder das eigene Kabel berühren oder beschädigen könnte.** Das Berühren des Bohrers einer Stromleitung unter Spannung wird die offene Metallteile des Elektrowerkzeuges unter Spannung setzen und der Benutzer wird einen Stromschlag bekommen.
- Bearbeiten Sie keine Werkstoffe, die Asbest enthalten. Asbest gilt als krebserregender Stoff.

**WARNUNG:** Bevor Sie das Elektrowerkzeug an das Versorgungsnetz (Steckdose) anschließen, überzeugen Sie sich, dass die Versorgungsspannung der Spannung angegeben auf dem Typenschild mit den technischen Angaben des Elektrowerkzeuges entspricht.

- Eine Versorgungsspannung, größer als die für das Elektrowerkzeug angegebene, kann sowohl eine schwere Beschädigung des Anwenders bei einem Stromunfall, als auch eine Beschädigung des Elektrowerkzeuges hervorrufen.
- Falls Sie irgendwelchen Zweifel haben, stecken Sie den Stecker des Elektrowerkzeuges nicht in die Steckdose.
- Die Anwendung einer Versorgungsspannung, niedriger als die auf dem Typenschild des Elektrowerkzeuges angegebene, wird den Elektromotor beschädigen.
- Um ein eventuelles Überhitzen eines Verlängerungskabels zu vermeiden, wickeln Sie immer das Kabel der Kabeltrommel bis zum Ende ab.

## 2. ZUSÄTZLICHE SICHERHEITSHINWEISE

- Falls das Benutzen eines Verlängerungskabels erforderlich ist, überzeugen Sie sich, dass der Querschnitt des Kabels dem Nennstrom des benutzten Elektrowerkzeugs entspricht. Überzeugen Sie sich von der Funktionstüchtigkeit des Kabels und prüfen Sie es auf Schäden.

**WARNUNG:** Schalten Sie das Elektrowerkzeug vor jeglichen Einstellungs-, Wartungs- und Reparaturarbeiten immer aus und ziehen Sie den Stecker aus der Steckdose.

- Überprüfen Sie vor dem Arbeitsbeginn mittels eines geeigneten Metallsuchgeräts ob eine verborgene Elektroinstallation, eine Gasleitung oder Wasserleitung vorhanden ist, oder wenden Sie sich an die entsprechenden örtlichen Ämter um Mitwirkung. Die Berührung des Bohrers einer verborgenen Elektroinstallation kann einen Brand oder einen Stromschlag hervorrufen. Die Beschädigung einer Gasleitung kann eine Explosion hervorrufen. Das Durchbohren einer Wasserleitung wird einen Vermögensschaden oder einen Stromschlag verursachen.
- Halten Sie das Versorgungskabel außerhalb des Arbeitsbereichs der Maschine.
- Arbeiten Sie nicht mit dem Elektrowerkzeug wenn das Netzkabel beschädigt ist. Berühren Sie nicht die beschädigte Leitung im Kabel. Ziehen Sie den Stecker aus der Steckdose wenn das Kabel während der Arbeit beschädigt wird. Beschädigte Kabel erhöhen das Risiko eines Stromschlags.
- Immer eine stabile Körperhaltung einnehmen. Wenn Sie mit dem Elektrowerkzeug z. B. auf einer Leiter in Höhe arbeiten, überzeugen Sie sich immer, dass sich niemand darunter befindet.
- Fixieren Sie das Werkstück, das Sie bearbeiten, in einem Schraubstock oder auf eine andere geeignete Weise.
- Achten Sie auf das Drehmoment beim Anlauf der Bohrmaschine oder bei einer Blockierung des Bohrers. Sie könnten die Kontrolle über die Bohrmaschine verlieren was zu Verletzungen führen könnte.
- Berühren Sie den Bohrer oder das bearbeitete Werkstück nicht gleich nach der Arbeit. Sie können sehr heiß sein und können eine Verbrennung der Haut hervorrufen.
- Halten Sie Ihren Arbeitsplatz immer sauber. Das Vermischen von Staub unterschiedlicher Materialien ist besonders gefährlich. Der Staub von leichten Metallen kann brennen oder explodieren.
- Lassen Sie niemals Lappen, Schnüre, Leitungen oder Draht in der Nähe des Arbeitsplatzes. Sie können sich um den Bohrer wickeln.
- Schalten Sie immer die Maschine aus, bevor Sie sie beiseite legen.
- Das Elektrowerkzeug darf nur zweckmäßig benutzt werden. Jede andere Anwendung, unterschiedlich von der in der vorliegenden Anleitung beschriebenen, wird als unrichtige Anwendung angesehen. Die Haftung für jeglichen Schaden oder Verletzung, entstanden infolge der unrichtigen Anwendung wird der Benutzer und nicht der Hersteller tragen.
- Um Sie dieses Elektrowerkzeug richtig zu benutzen, müssen Sie die Sicherheitsregeln, die allgemeinen Anleitungen und Hinweise, sowie die Betriebsanleitungen,

## 3. ARBEITSHINWEISE

die im vorliegenden Dokument angegeben sind, beachten. Alle Personen, die diese Maschine benutzen oder bedienen, müssen sich mit dieser Anleitung bekannt machen und über die potentiellen Risiken bei der Arbeit mit diesem Elektrowerkzeug informiert werden. Kinder und physisch schwachen Menschen dürfen das Elektrowerkzeug nicht benutzen. Kinder müssen immer unter ständiger Beobachtung sein, wenn sie sich in der Arbeitszone befinden. Es müssen verbindlich die Sicherheitsregeln, die für Ihr Land gültig sind, eingehalten werden. Das gleiche betrifft auch das Einhalten der Grundregeln für den Berufsgesundheitsschutz und die Arbeitssicherheit.

- Der Hersteller trägt keine Haftung für die gemachten Änderungen des Elektrowerkzeugs oder für die Beschädigungen, verursacht durch solchen Änderungen.
- Das Elektrowerkzeug darf nicht im Freien bei Regenwetter, in einer feuchten Umgebung (nach einem Regen) oder in der Nähe von leicht entzündbaren Flüssigkeiten und Gasen benutzt werden. Der Arbeitsplatz muss gut beleuchtet sein. Der Arbeitsplatz muss gut beleuchtet sein.

### **ARBEITSHINWEISE**

Dieses Elektrowerkzeug wird mit einphasiger Wechselspannung versorgt. Es besitzt eine doppelte Isolation gemäß der EN 60745-1 und der IEC 60745, und es kann an Steckdosen ohne Schutzklemmen angeschlossen werden. Die Rundfunkstörungen entsprechen der Richtlinie für die elektromagnetische Verträglichkeit.

Dieses Elektrowerkzeug ist zum Bohren von Öffnungen in Stahl, Holz, Kunststoff und anderen ähnlichen Materialien bestimmt.

Dieses Elektrowerkzeug ist nicht zum Bohren von Öffnungen in Beton und anderen bröckeligen Materialien bestimmt.

### **BEVOR SIE MIT DER ARBEIT BEGINNEN**

- Überprüfen Sie ob die Spannung des Versorgungsnetzes der auf dem Typenschild mit den technischen Daten des Elektrowerkzeuges angegebenen Spannung entspricht.
- Überprüfen Sie in welcher Stellung der sich Schalter befindet. Das Gerät darf nur mit ausgeschaltet ans Netz angeschlossen und vom Netz getrennt werden. Falls Sie den Netzstecker in die Steckdose stecken wenn das Gerät eingeschaltet ist wird es sofort beginnen anzulaufen was die Voraussetzung für einen schweren Unfall sein kann.
- Überzeugen Sie sich vom ordnungsgemäßen Zustand des Versorgungskabels und des Steckers. Falls das Versorgungskabel beschädigt ist, darf es nur vom Hersteller oder einem autorisierten Servicefachmann ausgetauscht werden um eventuelle Gefährdungen zu vermeiden.

**WARNUNG:** Schalten Sie das Elektrowerkzeug vor jeglichen Einstellungs-, Wartungs- und Reparaturarbeiten aus und trennen Sie es vom Netz. Das gleiche gilt bei Stromausfall (Gefahr des unbeabsichtigten Wiederanlaufens).

- Wenn die Arbeitszone von der Stromquelle entfernt ist, benutzen Sie ein so kurz wie möglich Verlängererkabel mit geeignetem Querschnitt.

#### ELEMENTE DES ELEKTROWERKZEUGS

Vor dem Beginn der Arbeit mit der Bohrmaschine machen Sie sich mit allen operativen Besonderheiten und Sicherheitsbedingungen bekannt. Benutzen Sie das Elektrowerkzeug und das Zubehör dazu nur zweckmäßig. Jede andere Anwendung ist ausdrücklich verboten.

1. Bohrfutter
2. Drehrichtungsumschalthebel
3. Elektronischer Drehzahlregler
4. Ein-Aus-Schalter
5. Schalterfeststellknopf

#### EIN- UND AUSSCHALTEN

##### Momentschaltung

- Einschalten: Drücken Sie den Abzug 4 des Schalters.
- Ausschalten: Lassen Sie den Abzug 4 des Schalters los.

##### Dauerschaltung

- Einschalten: Den Abzug 4 des Schalters drücken und in gedrückter Position durch die Arretiertaste 5 des Schalters arretieren.
- Ausschalten: Den Abzug des Schalters kurzzeitig drücken und sofort loslassen.

#### STUFENLOSE ELEKTRONISCHE DREHZAHLEGELUNG

Das leichte Drücken des Abzugs 4 des Schalters bewirkt ein Anlaufen der Bohrmaschine bei niedriger Drehzahl. Die Drehzahl wird bis zur maximalen Drehzahl durch die Erhöhung des Druckes auf den Abzug des Schalters bis zum Anschlag allmählich stufenlos erhöht.

#### VORWAHL DER DREHZAHLE

Die notwendige Drehzahl kann durch Drehen des elektronischen Reglers 3 in Richtung Uhrzeigersinn oder entgegengesetzt vorgewählt werden.

#### DREHRICHTUNGSWECHSEL

Die Endstellung rechts des Hebels 2 bedeutet Drehen in Richtung Uhrzeigersinn und die Endstellung links - entgegengesetzt.

Ein Drehrichtungswechsel kann nur bei Stillstand der Bohrmaschine erfolgen.

**WARNUNG:** Überprüfen Sie immer die Drehrichtung vor dem Arbeitsbeginn. Benutzen Sie die Taste zum Wechseln der Drehrichtung nur wenn die Spindel ihre Drehung ganz gestoppt hat. Die Änderung der Drehrichtung vor dem endgültigen Stoppen der Spindel kann das Elektrowerkzeug beschädigen.

#### EINSETZEN UND FESTZIEHEN EINES BOHRERS

##### Bei Maschinen mit Zahnkranzbohrfutter:

Durch Drehen am Kranz des Bohrfutters 1 im Uhrzeigersinn oder entgegengesetzt bewegen sich die Backen in eine geöffnete Position, so dass der Bohrschaft zwischen ihnen eingeführt werden kann. Durch Drehen am Kranz des Bohrfutters 1 im Uhrzeigersinn wird der Schaft des Bohrers eingeklemmt.

Durch den Bohrfutterschlüssel wird der Bohrer endgültig im Bohrfutter fixiert, wobei man gleichmäßig an den drei Öffnungen anziehen sollte.

#### Bei Maschinen mit Schnellspannbohrfutter:

Den hinteren Kranz des Bohrfutters 1 festhalten und den vorderen Kranz drehen, bis sich das Bohrfutter weit genug geöffnet hat, um den Bohrer einzusetzen.

Danach den vorderen Kranz mit der Hand festziehen, bis ein deutliches Klicken zu hören ist.

#### DEMONTAGE DES BOHRFUTTERS

##### Bei Maschinen mit Zahnkranzbohrfutter:

Die Backen des Bohrfutters 1 soweit wie möglich öffnen. Mit einem Schraubenzieher die Sicherungsschraube mit Linksgewinde lösen.

Den Spindelhal mit einem Schraubenschlüssel erfassen. Den Bohrfutterschlüssel in eine der drei Öffnungen einlegen. Durch Drehen in Richtung gegen den Uhrzeigersinn das Bohrfutter 1 von der Spindel aufdrehen, wobei der Schlüssel als Hebel benutzt wird. Falls das Bohrfutter zu fest sitzt, genügt ein kurzer Schlag mit einem Hammer gegen den eingesetzten Bohrfutterschlüssel (entgegen der Drehrichtung)

##### Bei Maschinen mit Schnellspannbohrfutter:

Den hinteren Kranz des Bohrfutters festhalten und den vorderen Kranz drehen, bis das Bohrfutter völlig geöffnet ist. Mit einem Schraubenzieher die Sicherungsschraube mit Linksgewinde lösen. In das Bohrfutter ein Sechskantaufsatz oder die Vorrichtung zum Festziehen von Schrauben legen und festziehen. Den Spindelhal mit einem Schraubenschlüssel erfassen und das Bohrfutter durch das freie Ende des Aufsatzes gegen den Uhrzeigersinn drehen.

#### LÖSEN UND FESTZIEHEN VON SCHRAUBEN, BOLZEN UND MUTTERN

Im Bohrfutter 1 wird auf die obig beschriebene Weise ein Aufsatz zum Lösen und Festziehen von Schrauben, Bolzen oder Muttern festgezogen. Durch die Taste 2 zum Wechseln der Drehrichtung wählt man die Arbeitsweise Lösen oder Festziehen. Die Arbeiten nur bei einer niedrigen Drehzahl ausführen.

**WARNUNG:** Vorsicht beim Eindrehen und Festziehen langer Bolzen und Schrauben. Abrutschgefahr.

#### RATSCHLÄGE ZUM EINDREHEN VON SCHRAUBEN:

- Nur solche Einsätze zum Eindrehen benutzen, die in Form und Größe passend sind;
- In Weichholz können die passenden Schrauben ohne vorheriges Durchbohren eingedreht werden;
- In Hartholz sollen für Schrauben mit größerem Durchmesser vorher entsprechende Löcher gebohrt werden;
- Um den Kopf der Schraube zu verstecken, soll für ihn ein entsprechendes Loch erarbeitet werden;
- Für Schrauben für Holz mit zylindrischem Teil ohne Gewinde werden vorher Löcher, die Hälfte der Schraubenlänge tief, gebohrt.

#### ZUBEHÖR, DAS MIT DIESEM ELEKTROWERKZEUG BENUTZT WERDEN KANN

- Metallbohrer mit einem Durchmesser entsprechend den technischen Daten.
- Holzbohrer mit einem Durchmesser entsprechend den technischen Daten.
- Sechskanteinsatz 6,35 mm (1/4“) zum Lösen und Eindrehen von Schrauben.



### WARTUNG

**WARNUNG:** Vor jeder Wartung oder Überprüfung das Elektrowerkzeug immer ausschalten und den Stecker aus der Steckdose ziehen.

#### ALLGEMEINE ÜBERPRÜFUNG

Überprüfen Sie regelmäßig alle Befestigungselemente um sich zu überzeugen, dass sie fest angezogen sind. Falls einige der Schrauben lose sind, sofort festziehen, um Risikosituationen zu vermeiden. Falls das Versorgungskabel beschädigt ist, darf es nur vom Hersteller oder einem autorisierten Servicefachmann ausgetauscht werden um eventuelle Gefährdungen zu vermeiden.

#### REINIGUNG

Für den sicheren Betrieb die Maschine und die Belüftungsöffnungen immer sauber halten. Regelmäßig überprüfen, ob in die Belüftungsöffnungen des Motors oder um die Umschalter Staub oder Fremdkörper eingedrungen sind.

Weichte Bürste und/oder Druckluft für die Entfernung des Staubes verwenden.

Um die Augen während der Reinigung zu schützen, Schutzbrille tragen.

Das Gehäuse der Maschine gegebenenfalls mit einem weichen feuchten Tuch abwischen. Hierfür kann zusätzlich eine schwache Reinigungslösung (Spülmittel) verwendet werden.

**WARNUNG:** Die Verwendung von Benzin oder anderen Lösungsmitteln ist unzulässig. Nie ätzende Präparate für die Reinigung der Kunststoffteile verwenden.

**WARNUNG:** Vermeiden Sie unbedingt das Wasser in die Maschine (z.B. durch die Lüftungsschlitze) eindringt.

**WICHTIG!** Um einen sicheren Betrieb des Elektrowerkzeuges und seine Zuverlässigkeit zu gewährleisten, sollten alle Arbeiten zur Reparatur, Wartung und Regelung (einschl. auch die Überprüfung und das Auswechseln der Bürsten) nur in den zuständigen Kundendiensten von STATUS beim Verwenden von Originalersatzteilen durchgeführt werden.

### TECHNISCHE DATEN

Modell	D380
Nennaufnahme	380W
Leerlaufdrehzahl	0-3000/min
Bohrfutterkapazität	10 mm
Gewicht	1,4 kg
Max. Bohrdurchmesser:	Holz - 20 mm, Stahl - 10 mm.

#### GERÄUSCH-/VIBRATIONSinFORMATION

Messwerte ermittelt entsprechend EN 60745.

Der A-bewertete Schalldruckpegel $L_{pA}$	90 dB(A)	Unsicherheit $K_{pA}$	3.0 dB
Der A-bewertete Schalleistungspegel $L_{WA}$	101 dB(A)	Unsicherheit $K_{WA}$	3.0 dB

#### Schwingungsemissionswerte

Schwingungsgesamtwerte (EN 60745)

Schwingungsemissionswert $a_{hID}$	7,67 m/s <sup>2</sup>
Unsicherheit $K_{ID}$	1.5 m/s <sup>2</sup>

### KONFORMITÄTserklärung

Hiermit versichern wir unsere persönliche Haftung, dass dieses Erzeugnis allen einschlägigen Bestimmungen folgender Richtlinien und entsprechender harmonisierten Standards entspricht: 2014/30/EU

And are manufactured in accordance with the following standards or standardised documents: EN 55014-1:2006 + A1:2009+A2:2011, EN55014-2:2015, EN 61000-3-2:2014, EN 61000-3-3:2013

Die technischen Unterlagen werden bei STATUS ITALIA S.R.L., via Aldo Moro, 14/A, 36060 - Pianezze (VI), ITALY, aufbewahrt.

Caron Giacinto  
Director  
STATUS ITALIA S.R.L.

## 1. ISTRUZIONI GENERALI DI SICUREZZA

### ISTRUZIONI GENERALI DI SICUREZZA

**AVVERTENZA!** Leggere tutte le istruzioni d'uso e le avvertenze di sicurezza. L'inosservanza delle istruzioni seguenti può causare folgorazioni, incendi e/o gravi danni a persone.

**Conservare con cura queste istruzioni.**

Il termine "utensile" in tutte le avvertenze successive si riferisce sia agli utensili collegati alla rete elettrica (con cavo di alimentazione) che agli utensili a batteria (senza cavo).

#### AREA DI LAVORO

- **Mantenere l'area di lavoro pulita e ben illuminata.** Le zone buie ed ingombre di oggetti favoriscono incidenti.
- **Non utilizzare l'utensile in presenza di liquidi infiammabili, gas o polvere.** Le scintille generate potrebbero infiammare polvere e/o vapore.
- **Tenere a distanza bambini e terzi durante il funzionamento.** Per una distrazione potreste perdere il controllo dell'utensile.

#### SICUREZZA ELETTRICA

- **La spina dell'utensile deve essere adatta alla presa utilizzata. Non modificare la spina in alcun modo. Non utilizzare adattatori con gli utensili collegati a terra.** L'impiego di una spina integra ed una presa adatta riduce i rischi di folgorazione.
- **Evitare di toccare con il corpo le superfici collegate a terra quali tubi, radiatori, forni e frigoriferi.** Il rischio di folgorazione aumenta se il corpo è collegato a terra.
- **Non esporre l'utensile alla pioggia e all'umidità.** La penetrazione d'acqua nell'utensile aumenta il rischio di folgorazione.
- **Non utilizzare il cavo per scopi diversi da quello previsto. Non utilizzare il cavo per trasportare o tirare l'utensile, oppure per staccare la spina dalla presa. Tenere il cavo lontano da fonti di calore, olio, parti appuntite o in movimento.** Cavi danneggiati o attorcigliati aumentano il rischio di folgorazione.
- **Se l'utensile viene utilizzato all'aperto, usare una prolunga adatta all'uso esterno.** L'impiego di una prolunga da esterno riduce il rischio di folgorazione.
- **Se il lavoro in un ambiente umido è strettamente necessario, utilizzare una presa protetta da dispositivo a corrente residua.** Ciò riduce i rischi di scosse.

#### SICUREZZA PERSONALE

- **L'uso di elettroutensili richiede attenzione e buon senso. Non utilizzare gli utensili se si è stanchi o sotto l'effetto di droghe, alcol o medicinali.** Una breve disattenzione può provocare gravi danni alle persone.
- **Munirsi di indumenti e dispositivi di protezione. Indossare sempre occhiali da lavoro.** L'uso di dispositivi di protezione tra cui mascherina antipolvere, scarpe antiscivolo, casco e protezioni per l'udito riduce il rischio di danni a persone.
- **Evitare l'accensione accidentale. Accertarsi che l'interruttore sia in posizione "OFF" prima di inserire la spina.** Se si trasportano gli utensili con il dito sull'interruttore o si inserisce la spina nella presa con l'interruttore in posizione "ON" aumenta il rischio di incidenti.

## 1. ISTRUZIONI GENERALI DI SICUREZZA

- **Togliere tutte le chiavi di regolazione prima di accendere l'utensile.** Una chiave lasciata inserita in una parte rotante di un utensile può provocare danni a persone.
- **Non utilizzare l'utensile in condizioni estreme. Mantenere sempre l'equilibrio ed i piedi ben appoggiati a terra.** Questo consente un maggior controllo dell'utensile in caso di imprevisti.
- **Indossare un abbigliamento adeguato. Non indossare abiti svolazzanti o gioielli. Tenere capelli, vestiti, e guanti lontani dalle parti in movimento.** Abiti svolazzanti, gioielli o capelli potrebbero impigliarsi nelle parti in movimento.
- **In presenza di apparecchiature per il collegamento a dispositivi di aspirazione e raccolta delle polveri, accertarsi che essi siano collegati ed utilizzarli correttamente.** L'uso di queste apparecchiature può ridurre i rischi causati dalla polvere.

#### USO E MANUTENZIONE DELL'UTENSILE

- **Utilizzare l'utensile più adatto per il lavoro da svolgere.** L'impiego dell'utensile giusto migliora la qualità del lavoro e la sicurezza.
  - **Non utilizzare l'utensile se non è possibile accenderlo e spegnerlo con l'apposito interruttore.** Gli utensili che non possono essere controllati con l'interruttore sono pericolosi e devono essere riparati.
  - **Staccare la spina dall'alimentazione di corrente prima di eseguire regolazioni, cambiare accessori o riporre l'utensile.** Osservando queste precauzioni si riduce il rischio di accensione accidentale dell'utensile.
  - **Riporre gli utensili non utilizzati fuori dalla portata dei bambini e non consentirne l'utilizzo a persone che non conoscono l'utensile o queste istruzioni.** Nelle mani di persone inesperte gli utensili possono diventare pericolosi.
  - **Sottoporre l'utensile a manutenzione. Verificare il corretto allineamento di tutte le parti mobili, controllare che non siano grippate e che non vi siano rotture o altri guasti che potrebbero influire sul funzionamento dell'utensile. Far riparare gli utensili danneggiati prima di riutilizzarli.** Molti incidenti sono causati da utensili in pessime condizioni.
  - **Tenere le punte e gli strumenti da taglio puliti ed affilati.** Se sottoposti ad una regolare manutenzione e pulizia consentono di lavorare in modo più preciso e sono maggiormente controllabili.
  - **Utilizzare l'utensile, gli accessori, gli attrezzi etc. secondo quanto indicato in queste istruzioni nonché tenendo in considerazione le condizioni di lavoro e il lavoro da eseguire.** L'impiego di utensili per scopi diversi da quelli per cui sono stati progettati può dare origine a situazioni pericolose.
- #### MANUTENZIONE
- **Far riparare l'utensile da personale qualificato che utilizzi solo parti di ricambio originali.** In caso contrario la sicurezza dell'utensile potrebbe risultare compromessa.

## 2. ISTRUZIONI SUPPLEMENTARI DI SICUREZZA NEL LAVORO CON TRAPANI

### ISTRUZIONI SUPPLEMENTARI DI SICUREZZA NEL LAVORO CON TRAPANI

- **BU**sare durante il lavoro mezzi per protezione della vista, per proteggersi da corpuscoli volanti. Indossare occhiali protettivi.
- **Prendere precauzioni contro l'inalazione di polvere.** Alcuni materiali possono contenere ingredienti tossici. Indossare maschera antipolvere. Usare dispositivo di depolverizzazione, se il suo collegamento all'elettrotensile risulta possibile.
- **Tenere l'elettrotensile soltanto per le superfici isolate da prendere, nell'esecuzione di un'operazione in cui l'accessorio di taglio potrebbe toccare un impianto elettrico nascosto, o il proprio cordone.** Il contatto dell'accessorio di taglio con un conduttore sotto tensione metterà sotto tensione le parti metalliche aperte dell'elettrotensile, e l'operatore subirà una scossa elettrica.
- Non lavorare materiali contenenti amianto. L'amianto è considerato come una sostanza cancerogena.

**AVVERTENZA:** Prima di collegare l'elettrotensile alla rete di alimentazione, accertarsi che la tensione di alimentazione corrisponda a quella indicata sulla targhetta dati tecnici dell'elettrotensile.

- Una fonte di alimentazione dalla tensione superiore a quella indicata per l'elettrotensile, può causare sia una grave lesione di scossa elettrica all'operatore, sia un guasto all'elettrotensile.
- Se si ha qualsiasi esitazione, non innestare la spina dell'elettrotensile nella presa.
- L'uso di una fonte di alimentazione con tensione inferiore a quella indicata sulla targhetta dell'elettrotensile, danneggerà il motore elettrico.
- Per ovviare all'eventuale surriscaldamento, svolgere sempre completamente il cavo di prolunga con rocchetto.
- Quando si deve usare una prolunga, accertarsi che la sua sezione corrisponda alla corrente nominale dell'elettrotensile usato, nonché dello stato di efficienza della prolunga.

**AVVERTENZA:** Disinserire sempre l'elettrotensile e disinnestare la spina dalla presa prima di effettuare qualsiasi regolazione, sistemazione o manutenzione.

- Prima di iniziare il lavoro verificare con un metal detector appropriato, per la presenza di un nascosto impianto elettrico, una conduttura di gas o d'acqua, o cercare aiuto dai rispettivi uffici locali. Il contatto della punta con un impianto elettrico nascosto può provocare incendio o lesione da scossa elettrica. Il danneggiamento di una conduttura di gas può causare un'esplosione. La foratura di una conduttura d'acqua causerà danneggiamento a proprietà, o lesione da scossa elettrica.
- Tenere il cavo di alimentazione fuori dal raggio operativo della macchina.
- Non usare l'elettrotensile con il cavo danneggiato. Non toccare il cavo danneggiato ed estrarre la spina dalla presa se il cavo si guasta durante il lavoro. I cavi danneggiati aumentano il rischio di scossa elettrica.
- Mantenere sempre stabile la posizione del corpo. Nel lavorare con l'elettrotensile in quota accertarsi che non ci sia nessuno di sotto.
- Fissare il pezzo da lavorare in una morsa o in qualche altro modo conveniente.

## 3. ISTRUZIONI PER L'USO

- Tenere d'occhio il momento d'inerzia all'avviamento del trapano, o ad inceppamento della punta.
- Non toccare la punta o il pezzo da lavorare immediatamente dopo il lavoro. Essi potrebbero arroventarsi e causare ustione della pelle.
- Mantenere pulito il posto di lavoro. La mescolatura di polveri di diversi materiali è particolarmente pericolosa. La polvere di metalli leggeri può bruciare o esplodere.
- Non lasciare mai stracci, stoppa, conduttori o fili vicino al posto di lavoro.
- Spegnere sempre la macchina prima di metterla in disparte.
- Usare l'elettrotensile soltanto secondo la sua destinazione d'uso. Qualsiasi altro impiego differente da quello descritto in questo manuale di istruzione, sarà ritenuto impiego erraneo. La responsabilità per qualsiasi guasto o ferimento causati da uso erraneo, cadrà sull'utente, e non sul fabbricante.
- Per sfruttare correttamente questo elettrotensile, si devono rispettare le regole di sicurezza, le istruzioni generali, e le istruzioni di funzionamento qui riportate. Tutti gli utenti devono conoscere queste istruzioni di servizio, ed essere informati dei potenziali rischi nel lavoro con l'elettrotensile. Bambini e persone fisicamente deboli non devono usare l'elettrotensile. I bambini devono stare sotto continua sorveglianza se si trovano vicino ad un luogo dove si lavora con l'elettrotensile. È obbligatorio prendere anche precauzioni di sicurezza. Lo stesso concerne pure l'osservanza delle regole principali relative alla salute e alla sicurezza professionale.
- Il fabbricante non sarà tenuto responsabile per alcuna modifica apportata all'elettrotensile, o per guasti che ne conseguono.
- Non usare l'elettrotensile all'aperto quando piove, in un ambiente umido (dopo una pioggia), o in vicinanza di liquidi o gas facilmente infiammabili. Il posto di lavoro deve essere ben illuminato.

### ISTRUZIONI PER L'USO

#### PRENDERE VISIONE DELL'ELETTROTENSILE

Prima di iniziare a lavorare con l'elettrotensile, prendere conoscenza di tutte le particolarità operative e condizioni di sicurezza.

Impiegare l'elettrotensile e i suoi accessori unicamente secondo la destinazione d'uso. Ogni altro impiego è espressamente vietato.

1. Mandrino
2. Pulsante per inversione del senso di rotazione
3. Regolatore elettronico dei giri
4. Grilletto dell'interruttore ON/OFF
5. Pulsante per bloccare l'interruttore ON/OFF

Questo elettrotensile viene alimentato soltanto di corrente alternata monofase. Avendo l'isolamento doppio conformemente all'EN 60745-1 e all'IEC 60745, esso si può innestare in prese senza piattine di massa. I disturbi radio corrispondono alla Direttiva di compatibilità elettromagnetica.

### 3. ISTRUZIONI PER L'USO

Questo elettroutensile è disegnato a praticare fori in acciaio, legno, plastica e altri materiali simili.

Questo elettroutensile non è disegnato a praticare fori in calcestruzzo e altri materiali friabili.

#### **PRIMA DI COMINCIARE IL LAVORO**

- Verificare che la tensione della rete elettrica corrisponda a quella riportata sulla targhetta con i dati tecnici dell'elettroutensile.
- Verificare in che posizione si trova l'interruttore ON/OFF. L'elettroutensile deve essere innestato nella presa o disinnestato dalla rete di alimentazione soltanto ad interruttore disinserito. Se la spina viene innestata nella presa quando l'interruttore è in posizione inserita, l'elettroutensile si metterà subito in moto, circostanza che comporta infortunio.
- Accertarsi del buono stato del cordone di alimentazione e della spina. Se il cordone è guasto, la sostituzione va effettuata dal costruttore o da un suo specialista di centro assistenza, per evitare i pericoli della sostituzione.

**AVVERTENZA:** Spegnerne sempre l'elettroutensile ed estrarre la spina dalla presa prima di effettuare qualsiasi regolazione, aggiustaggio o manutenzione.

- Se l'area del lavoro è lontana dalla fonte di alimentazione, usare una prolunga che sia la più corta possibile, con sezione adatta.

#### **AVVIAMENTO-ARRESTO**

##### **Messa in moto per breve tempo**

- Avviamento: premere il grilletto dell'interruttore 4.
- Arresto: rilasciare il grilletto dell'interruttore 4.

##### **Lavoro continuativo**

- Avviamento: premere l'interruttore 4 e, tenendolo premuto, bloccarlo con il pulsante per bloccare l'interruttore ON/OFF 5.
- Arresto: premere il grilletto dell'interruttore una sola volta e rilasciarlo subito

#### **REGOLAZIONE ELETTRONICA CONTINUA DEI GIRI**

Una lieve pressione dell'interruttore 4 comporta l'azionamento del trapano a giri bassi, che aumentano dolcemente fino a quelli massimi con l'incremento della pressione dell'interruttore, fino a raggiungere la posizione estrema.

#### **SELEZIONE DEI GIRI**

Girando il regolatore elettronico 3 in senso orario o antiorario, si scelgono i giri necessari.

#### **INVERSIONE DEL SENSO DI ROTAZIONE**

La posizione estrema destra della leva 2 significa rotazione in senso orario, e l'estrema sinistra in senso antiorario.

**AVVERTENZA:** Prima di iniziare il lavoro, verificare sempre il senso di rotazione. Usare il pulsante per inversione del senso di rotazione solo dopo che l'elettroutensile abbia completamente smesso di girare. L'inversione del senso di rotazione prima dell'arresto definitivo dell'elettroutensile potrebbe danneggiarlo.

### 3. ISTRUZIONI PER L'USO

#### **MESSA E SOSTITUZIONE DELLA PUNTA**

##### **In macchine che hanno il mandrino con chiave**

Girando la corona del mandrino 1 in senso orario o antiorario, le sue ganasce si muovono fino ad una posizione che permetta al codolo della punta di entrare tra esse. Girando la corona del mandrino 1 le ganasce afferrano il codolo della punta. Con la chiave speciale fissare la punta definitivamente nel mandrino, stringendo uniformemente nei tre fori.

##### **In macchine che hanno il mandrino a serraggio rapido**

Trattenere la corona posteriore del mandrino 1 e girare la corona anteriore finché il mandrino si sia aperto abbastanza per collocarvi la punta. Poi stringere a mano la corona anteriore, allora si sente uno scatto distinto.

#### **SMONTAGGIO DEL MANDRINO**

##### **In trapani che hanno il mandrino con chiave**

Aprire completamente le ganasce del mandrino 1. Svitare con l'aiuto di un cacciavite la vite di sicurezza con flettatura sinistra. Tenere il posto per fissaggio dell'alberino con una chiave meccanica. Mettere la chiave speciale per stringere il mandrino in uno dei tre fori e, girando in senso antiorario, usando la chiave come una leva, svitare il mandrino 1 dall'alberino del trapano.

##### **In trapani che hanno il mandrino a serraggio rapido**

Trattenere la corona posteriore del mandrino e girare la corona anteriore finché il mandrino si sia aperto completamente. Svitare con l'aiuto di un cacciavite la vite di sicurezza con flettatura sinistra. Mettere nel mandrino una punta esagonale o il congegno per avvitare viti, e stringere. Tenere il posto per fissaggio dell'alberino con una chiave meccanica e girare il mandrino in senso antiorario, mediante la parte libera della punta.

#### **SVITARE E AVVITARE BULLONI, VITI E DADI**

Stringere nel mandrino nel modo descritto in precedenza il rispettivo congegno per svitare e avvitare bulloni, dadi o viti. Scegliere con il pulsante 6 per inversione del senso di rotazione l'operazione di svitamento o avvitamento. Svolgere le operazioni soltanto a giri bassi.

**AVVERTENZA:** Nell'avvitare lunghi bulloni o viti c'è il pericolo di scivolamento del trapano.

#### **CONSIGLI SULL'AVVITAMENTO DI VITI**

- Usare punte per avvitamento, che siano adatte per forma e dimensione;
- In legno dolce le viti convenienti si possono avvitare senza la foratura preliminare;
- In legno duro praticare prima un foro per le viti dai diametri maggiori;
- Nelle viti con testa piana il foro va accecato;
- Nelle viti per legno con filettatura incompleta forare in anticipo circa la metà della lunghezza della vite.

#### **CONSIGLI NEL LAVORO CON IL TRAPANO**

Sorvegliare il grado di smussatura della punta e sostituirla o affilarla quando si nota un calo del rendimento. Non praticare subito un foro di diametro grosso, fare prima uno con punta di diametro minore.

**ACCESSORI CHE POSSONO ESSERE USATI CON QUESTO ELETTROUTENSILE**

- Punta per metallo dal diametro conformemente ai dati tecnici.
- Punta per legno dal diametro conformemente ai dati tecnici.
- Punta con esaedro di fissaggio 6.35 mm (1/4") per stringere viti.

**MANUTENZIONE**

**AVVERTENZA:** Spegnerne sempre l'elettrotensile e staccare la spina dalla presa prima di effettuare qualsiasi verifica o manutenzione.

**ISPEZIONE GENERALE**

Controllare regolarmente tutti gli elementi di fissaggio e accertarsi che siano serrati saldamente. Se qualche vite è allentata, stringerla subito, per evitare situazioni di rischio.

Se il cordone d'alimentazione è danneggiato, la sostituzione va effettuata dal fabbricante o da un suo specialista di centro assistenza tecnica, per evitare i pericoli della sostituzione. Lubrificare regolarmente tutte le parti moventi.

**PULIZIA**

Per un lavoro sicuro mantenere sempre pulite la macchina e le aperture di ventilazione. Verificare regolarmente che nella griglia di ventilazione vicino al motore elettrico o intorno ai commutatori, non siano penetrati polvere o corpi estranei. Usare una spazzola soffice per eliminare la polvere accumulata. Per proteggere gli occhi durante la pulizia, indossare occhiali protettivi.

Se la carcassa della macchina necessita di trattamento di pulizia, pulirla con un panno soffice umido. Si può usare un detergente debole.

**AVVERTENZA:** Non è ammesso l'uso di alcole, benzina o altri solventi. Non adoperare mai preparati attaccanti per la pulizia delle parti plastiche.

**AVVERTENZA:** Non è ammessa l'entrata di acqua in contatto con la macchina.

**IMPORTANTE!** Per provvedere al lavoro sicuro con l'elettrotensile, e alla sua affidabilità, tutte le attività relative alla riparazione, la manutenzione e la regolazione (ivi incluse la verifica e la sostituzione delle spazzole) vanno effettuate nei centri assistenza autorizzati STATUS, usando soltanto pezzi di ricambio originali.

**DATI TECNICI**

Trapano	D380
Codice prodotto	0 20 711 01
Potenza nominale assorbita (W)	380
Tensione (V / Hz)	230 / 50-60
Numero di giri a vuoto (RPM)	3000
Mandrino	
- diametro (mm)	10
Capacità di foratura	
- Acciaio (mm)	10
- Legno (mm)	20
Peso in funzione della EPTA-Procedure 01/2003 (kg)	1,4
Classe di sicurezza	II

**ULTERIORI INFORMAZIONI**

Leggere attentamente tutte le istruzioni prima di iniziare a lavorare con l'utensile. L'azienda produttrice si riserva il diritto di apportare modifiche tecniche senza preavviso.

Le specifiche tecniche possono variare da paese a paese.

**INFORMAZIONI SUL RUMORE E SULLE VIBRAZIONI****Emissione acustica (EN 60745)**

A- livello di pressione sonora ponderata  $L_{pA}$  90 dB(A), Indeterminazione  $K_{pA}$  3.0 dB

A- livello di potenza sonora ponderata  $L_{WA}$  101 dB(A), Indeterminazione  $K_{WA}$  3.0 dB

**Emissione di vibrazioni (EN 60745-1)**

Valore delle vibrazioni emesse  $a_{hID}$  7,67 m/s<sup>2</sup>, Indeterminazione K 1,5 m/s<sup>2</sup>

**DICHIARAZIONE DI CONFORMITÀ CE**

Assumendone la piena responsabilità, dichiariamo che il prodotto descritto nei «Dati tecnici» è conforme alle seguenti normative ed ai relativi documenti: 2014/30/EU, EN 55014-1:2006 + A1:2009+A2:2011, EN55014-2:2015, EN 61000-3-2:2014, EN 61000-3-3:2013

Il produttore è il solo responsabile della stesura della presente dichiarazione di conformità: STATUS ITALIA S.R.L., via Aldo Moro, 14/A, 36060 - Pianezze (VI), ITALIA



Caron Giacinto  
L'Amministratore  
STATUS ITALIA S.R.L.

## 1. ПРЕДНАЗНАЧЕНИЕ

## 2. СЪВЕТИ ЗА БЕЗОПАСНОСТ

### ПРЕДНАЗНАЧЕНИЕ

Тази електрическа бормашина е предназначена за пробиване на дърво, керамика, пластмаса, и метал, както и за завинтване и развинтване на винтове. Всяка друга употреба е неподходяща. Бъркането или използването на части, които не са проверени или одобрени от производителя, също е неподходящо. Неправилната употреба може да предизвика непредвидимо увреждане на потребителя и заобикалящите предмети. Производителят не поема отговорност за повредите в резултат на неправилна употреба.

### СЪВЕТИ ЗА БЕЗОПАСНОСТ



#### ПРЕДУПРЕЖДЕНИЕ!

Прочетете внимателно всички инструкции. Неспазването на всички инструкции, описани долу, може да доведе до електрически удар, пожар и/или сериозно нараняване. Терминът "силов инструмент" във всички предупреждения, описан долу, се отнася за вашия захранван от ел. мрежата (кабелно) или с батерия (безжичен) уред.

#### ЗАПАЗЕТЕ ТЕЗИ ИНСТРУКЦИИ

#### 1) РАБОТНА ЗОНА

- Пазете работната зона чиста и добре осветена. Разхвърляни пейки и тъмни зони предизвикват инциденти.
- Не работете с инструмента в експлозивни атмосфери като при наличието на запалими течности, газове или прах. Инструментите създават искри, които може да запалят праха или изпаренията.
- Дръжте децата, стоящите наоколо и посетителите далеч при работа с инструмента. Разсейването може да ви накара да загубите контрол.

#### 2) ЕЛЕКТРИЧЕСКА БЕЗОПАСНОСТ

- Щепселът на инструмента трябва да пасва на контакта. Не променяйте щепсела по никакъв начин. Не използвайте никакви адаптерни щепсели със заземени инструменти. Немодифицирани щепсели и подходящи контакти ще намалят риска от електрически удар.
- Избягвайте контакта на тялото със заземени повърхности като тръби, радиатори, печки и хладилници. Има увеличен риск от електрически удар, ако тялото ви е заземено.
- Не излагайте инструмента на дъжд или влага. Водата, която влиза в инструмента, ще увеличи риска от електрически удар.
- Не злоупотребявайте с кабела. Не използвайте кабела за носене, дърпане или изключване на инструмента. Дръжте кабела далеч от топлина, масло, остри ръбове или движещи се части. Повредените или усукани кабели увеличават риска от електрически удар.
- При работа с уреда на открито използвайте удължителен кабел, който е подходящ за работа на открито. Употребата на кабел, подходящ за употреба а открито, намалява риска от електрически удар.

## 2. СЪВЕТИ ЗА БЕЗОПАСНОСТ

- Включете електрическият уред в електричеството, използвайки 16/25 A максимално сигурен защитен контакт (230/120V~, 50/60 Hz). Препоръчваме да поставите устройство-прекъсвач за остатъчен ток (RCD), който не превишава 30mA.
- ### 3) ЛИЧНА БЕЗОПАСНОСТ
- Бъдете нащрек, внимавайте какво правите и бъдете разумни при употреба на инструмента. Не използвайте инструмента, ако сте уморени или под влиянието на упойващи вещества, алкохол или лекарства. Момент на невнимание при работа с инструмента може да доведе до сериозно лично нараняване.
  - Използвайте оборудване за безопасност. Винаги носете защита за очите. Оборудване за безопасност като противопрахова маска, неплъзгащи се обувки, предпазна маска или защита за слуха, използвани при подходящите условия, ще намали личните наранявания.
  - Избягвайте случайното пускане. Уверете се, че ключът е в позиция на изключено, преди да го включите в контакта. Носенето на инструмента с пръст на копчето или включване в контакта с включено копче може да предизвика инциденти.
  - Махнете регулиращи ключове или гаечен ключ, преди да пуснете инструмента. Гаечен ключ или ключ, оставен прикачен на въртящата се част на инструмента, може да доведе до лично нараняване.
  - Не се пресягайте. Поддържайте добра основа за краката си и равновесие по всяко време. Това позволява по-добрия контрол на инструмента при неочаквани ситуации.
  - Обличайте се подходящо. Не носете хлабави дрехи или бижута. Пазете косата си, дрехите и ръкавиците далеч от движещи се части. Хлабавите дрехи, бижута или дълга коса може да се заклепят в движещите се части.
  - Ако са осигурени устройства за свързването на прахосмукачка или съоръжения за събиране, се уверете, че те са правилно свързани и използвани. Използването на тези устройства може да намали опасностите, свързани с праха.
- ### 4) ИЗПОЛЗВАНЕ И ГРИЖА ЗА ИНСТРУМЕНТА
- Не насилвайте инструмента. Използвайте правилния инструмент за приложението ви. Правилният инструмент ще свърши по-добре и по-безопасно работата със скоростта, за която е предназначен.
  - Не използвайте инструмента, ако ключът не се включва и изключва. Всеки инструмент, който не може да бъде контролиран с ключа, е опасен и трябва да бъде ремонтиран.
  - Изключвайте щепсела от контакта, преди да извършвате настройки, да сменяте приспособления или да прибирате уреда. Такива мерки за безопасност намаляват риска от случайно пускане на уреда.
  - Прибирайте уреда, с който не работите, извън обсега на деца и не позволявайте на лица, които не са запознати с инструкциите за уреда, да работят с него. Инструментът е опасен в ръцете на необучени потребители.

### 3. УКАЗАНИЯ ЗА РАБОТА

- Поддържайте инструмента. Проверявайте за разминавания или залепване на движещите се части, счупване на части и друго състояние, което може да засегне работата на инструмента. Ако е повреден, го ремонтирайте преди употреба. Много инциденти се предизвикват от лошо поддържани инструменти.
- Дръжте режещите уреди остри и чисти. Правилно поддържаните режещи уреди с остри режещи ръбове е по-малко вероятно да се заклеят и са по-лесни за контролиране.
- Използвайте инструмента, аксесоарите и частите на инструмента и др. в съответствие с тези инструкции и по начина, предназначен за конкретния вид инструмент, вземайки предвид работните условия и работата, която трябва да се извърши. Използването на инструмента за работа, различна от предназначението, може да доведе до опасна ситуация.

#### 5) ОБСЛУЖВАНЕ

- Обслужването на инструмента трябва да се извършва от квалифицирано лице с помощта на идентични резервни части. Това ще осигури поддържането на безопасността на уреда.

#### Допълнителни инструкции за употреба за електрическата ви бормашина

- Не използвайте електрическия уред с повреден кабел. Не местете повредения кабел, а извадете щепсела от контакта, ако кабелът се повреди по време на работа. Повредените кабели увеличават риска от електрически удар.
- Ако е необходима смяна на захранващия кабел, това трябва да се извърши от производителя или негов агент, за да се избегне опасност.
- С материали, съдържащи азбест, не трябва да се работи. Фини прахови частици може да останат във въздуха, въпреки поставянето на прахосмукачка и могат силно да застрашат здравето ви.

#### УКАЗАНИЯ ЗА РАБОТА

Преди да започнете да работите с електроинструмента се запознайте с всички оперативни особености и условия за безопасност.

Използвайте електроинструмента и принадлежностите му само по предназначение. Всяко друго приложение е изрично забранено.

#### ЧАСТИ И АКСЕСОАРИ

1. Патронник
2. Ключ за ляво/дясно въртене
3. Електронен регулатор на оборотите
4. Бутон а вкл/изкл
5. Бутон за застопоряване

Този електроинструмент се захранва само с еднофазно променливо напрежение. Може да се присъединява към контакти без защитни клеми, тъй като е с двойна изолация съгласно EN 60745-1 и IEC 60745.

Радиосмущенията съответстват на Директивата за електромагнитна съвместимост.

### 3. УКАЗАНИЯ ЗА РАБОТА

Този електроинструмент е предназначен за пробиване на отвори в стомана, дърво, пластмаса и други подобни материали. Този електроинструмент не е предназначен за пробиване на отвори в бетон и други трошливи материали.

#### ПРЕДИ ДА ЗАПОЧНЕТЕ РАБОТА

- Проверете дали напрежението на електрическата мрежа отговаря на това, означено върху табелката с технически данни на електроинструмента.
- Проверете в какво положение се намира прекъсвачът. Електроинструментът трябва да се присъединява и отделя от захранващата мрежа само при изключен прекъсвач. Ако поставите щепсела в контакт докато прекъсвачът е във включено положение, електроинструментът веднага ще се задейства, което е предпоставка за злополука.
- Убедете се в изправността на захранващия кабел и щепсел. Ако захранващият кабел е повреден, замяната трябва да се извърши от производителя или от негов сервизен специалист, за да се избегнат опасностите от замяната.

**ПРЕДУПРЕЖДЕНИЕ:** Винаги изключвайте електроинструмента и изваждайте щепсела от контакта преди извършване на всякаква настройка, обслужване или поддръжка.

- Ако зоната на работа е отдалечена от източника на захранване, използвайте колкото е възможно по-къс удължител с подходящо сечение.

#### ПУСКАНЕ - СПИРАНЕ

##### Кратковременно задействане

- Пускане: Натиснете спусъка на прекъсвача 4.
- Спиране: Отпуснете спусъка на прекъсвача 4.

##### Продължителна работа

- Пускане: Спусъкът на прекъсвача 4 се натиска и в натиснато състояние се застопорява с бутона за застопоряване на прекъсвача 5.
- Спиране: Спусъкът на прекъсвача се натиска еднократно и се отпуска веднага.

#### БЕЗСТЕПЕННО, ЕЛЕКТРОННО РЕГУЛИРАНЕ НА ОБОРОТИТЕ

Леко натискане на спусъка на прекъсвача 4 предизвиква задействане на бормашината на ниски обороти, които плавно се увеличават до максимални с увеличаване на натиска върху спусъка на прекъсвача до достигане на крайно положение.

#### ИЗБОР НА ОБОРОТИТЕ

Чрез завъртане на електронния регулатор 3 по посока на часовниковата стрелка или обратен се избират необходимите обороти.

#### СМЯНА ПОСОКАТА НА ВЪРТЕНЕ

Крайно дясно положение на лоста 2 означава въртене по посока на часовниковата стрелка, а крайно ляво - обратна на нея.

**ПРЕДУПРЕЖДЕНИЕ:** Преди да започнете работа, винаги проверявайте посоката на въртене. Използвайте ключа за смяна посоката на въртене само след като електроинструментът е напълно спрял да се върти. Промяна на посоката на въртене преди окончателното спиране на електроинструмента може да го повреди.

### 3. УКАЗАНИЯ ЗА РАБОТА

#### ПОСТАВЯНЕ И ЗАТЯГАНЕ НА СВРЕДЛО

##### При машини с патронник с ключ

Посредством завъртане на короната на патронника 1 в посока на часовниковата стрелка или обратно челюстите му се придвижват до такова положение, че опашката на свредлото да влезе между тях. Чрез завъртане на короната на патронника 1 челюстите захващат опашката на свредлото. Със специалния ключ свредлото се затяга окончателно в патронника чрез равномерно завъртане в трите отвора.

##### При машини с бързостягащ патронник

Задържа се задната корона на патронника 1 и се завърта предната корона докато патронникът се разтвори достатъчно, за да се постави свредлото. След това се затяга с ръка предната корона.

#### ДЕМОНТИРАНЕ НА ПАТРОННИКА

##### При бормашини с патронник с ключ

Челюстите на патронника 1 се отварят докрай. С помощта на отвертка се отвива осигурителния винт с лява резба. Мястото за фиксиране на вретеното се захваща с гаечен ключ. Специалният ключ за затягане на патронника се поставя в един от трите отвора и с въртене в посока, обратна на часовниковата стрелка, използвайки ключа за лост, се отвива патронникът 1 от вретеното на бормашината.

##### При бормашини с бързостягащ патронник

Задържа се задната корона на патронника и се завърта предната корона, докато патронникът се разтвори докрай. С помощта на отвертка се отвива осигурителния винт с лява резба. В патронника се поставя шестостенен накрайник или приспособлението за завиване на винтове, и се затяга. Мястото за фиксиране на вретеното се захваща с гаечен ключ и патронникът се върти в посока, обратна на часовниковата стрелка, посредством свободния край на накрайника.

#### ОТВИВАНЕ И ЗАВИВАНЕ НА БОЛТОВЕ, ВИНТОВЕ И ГАЙКИ

В патронника се затяга по начина, описан погоре, съответно приспособление за завиване и отвиване на болтове, гайки или винтове.

С бутона 2 за смяна посоката на въртене се избира операцията отвиване или завиване. Операциите да се извършват само при ниски обороти.

**ПРЕДУПРЕЖДЕНИЕ:** При завиване на дълги болтове и винтове има опасност от изплъзване на бормашината.

#### СЪВЕТИ ЗА ЗАВИВАНЕ НА ВИНТОВЕ

- Да се използват накрайници за завиване, подходящи по форма и големина;
- В меко дърво подходящите винтове могат да се завиват без предварително пробиване;
- В твърдо дърво се пробива предварително отвор за винтовете с по-големи диаметри;
- При винтове със скрити глави отворът да се зенкерова;
- При винтове за дърво с непроходима резба се пробива предварително около половината дължина от винта.

### 4. ПОДДРЪЖКА

#### ПРЕПОРЪКИ ПРИ РАБОТА С БОРМАШИНАТА

Да се следи степента на затъпяване на свредлото и да се смени или заточи, когато се забележи спадане в производителността.

Не пробивайте веднага отвор с голям диаметър, най-напред пробийте със свредло с помалък диаметър.

#### ПРИНАДЛЕЖНОСТИ, КОИТО МОГАТ ДА БЪДАТ ИЗПОЛЗВАНИ С ТОЗИ ЕЛЕКТРОИНСТРУМЕНТ

- Свредла за метал с диаметър съгласно техническите данни.
- Свредла за дърво с диаметър съгласно техническите данни.
- Накрайници с присъединителен шестостен 6.35 mm (1/4") за завиване на винтове.

#### ПОДДРЪЖКА

**ПРЕДУПРЕЖДЕНИЕ:** Винаги изключвайте електроинструмента и изваждайте щепсела от контакта преди всякаква проверка или поддръжка.

#### ОБЩА ПРОВЕРКА

Проверявайте редовно всички крепежни елементи и се уверете, че те са здраво притегнати. В случай, че някой от винтовете се е разхлабил, го затегнете незабавно, за да избегнете рискови ситуации.

Ако охранващият кабел е повреден, замяната трябва да се извърши от производителя или негов сервизен специалист, за да се избегнат опасностите от замяната. Редовно смазвайте всички движещи се части.

#### ПОДМЯНА НА ЧЕТКИТЕ

Когато четките се износят, двете четки трябва да се подменят едновременно с оригинални четки в сервиз на STATUS за гаранционна и извънгаранционна поддръжка.

#### ПОЧИСТВАНЕ

За безопасна работа поддържайте винаги чисти машината и вентилационните отвори. Редовно проверявайте дали във вентилационната решетка близо до електродвигателя или около превключвателите не е проникнал прах или чужди тела. Използвайте мека четка за да отстраните събралия се прах.

За да предпазите очите си, по време на почистването носете защитни очила. Ако корпусът на машината се нуждае от почистване, избършете го с мека влажна кърпа. Може да се използва слаб препарат за миене.

**ПРЕДУПРЕЖДЕНИЕ:** Не се допуска употребата на спирт, бензин или други разтворители. Никога не използвайте разяждащи препарати за почистване на пластмасовите части.

**ПРЕДУПРЕЖДЕНИЕ:** Не се допуска влизането на вода в контакт с машината. **ВАЖНО!** За да се осигури безопасната работа с електроинструмента и неговата надеждност, всички дейности по ремонта, поддръжката и регулирането (включително проверката и подмяната на четките) трябва да се извършват в оторизираните сервизи на STATUS с използване само на оригинални резервни части.



## 7. ТЕХНИЧЕСКИ ДАННИ

## 8. ДЕКЛАРАЦИЯ ЗА СЪОТВЕТСТВИЕ

### ТЕХНИЧЕСКИ ДАННИ

Модел	D380
Мощност	230В ~50 Hz
Капацитет	380 W
Скорост на въртене на празен ход n0	3000 /min
Капацитет на безключов патронник	10 mm
Тегло	1,4 kg
Максимална дълбочина на пробиване:	
Дърво	20 mm
Стомана	10 mm

### Информация за шум и вибрации

Излъчване на шум (стойн остите са измерени съгласно EN 60745):

А-претеглено ниво на звуково налягане $L_{pA}$	90 dB(A)
Неопределеност $K_{pA}$	3.0 dB
А-претеглено ниво на звукова мощност $L_{wA}$	101 dB(A)
Неопределеност $K_{wA}$	3.0 dB

### Използвайте средства за защита от шума!

Излъчване на вибрации (определени съгласно т. 6.2.7 на EN 60745-1):

обща стойност на вибрациите (векторна сума по трите оси), определена съгласно EN 60745

Стойност на излъчените вибрации $a_{hпD}$	7,67m/s <sup>2</sup>
Неопределеност K	1.5 m/s <sup>2</sup>

### ДЕКЛАРАЦИИ СООТВЕТСТВИЯ

STATUS ITALIA S.R.L. заявява, че долуизброените продукти с марка STATUS:

Продукт: Бормашина

Модел: D380 са произведени в съответствие със следните директиви на ЕС: 2014/30/EU,

Също така съответстват на изброените стандарти:

EN 55014-1:2006 + A1:2009+A2:2011, EN55014-2:2015,

EN 61000-3-2:2014, EN 61000-3-3:2013

Техническата документация се пази при производителя:

STATUS ITALIA S.R.L., via Aldo Moro, 14/A, 36060 - Pianezze (VI), ITALY

Карон Джиасинто  
Директор  
STATUS ITALIA S.R.L.

## 1. ПРЕДНАЗНАЧЕНИЕ ИЗДЕЛИЯ

## 2. ОСНОВНЫЕ ТРЕБОВАНИЯ БЕЗОПАСНОСТИ

### ПРЕДНАЗНАЧЕНИЕ ИЗДЕЛИЯ

Данное изделие предназначено для сверления дерева, керамики, пластика и металла. Также может использоваться в качестве шуруповёрта.

Любое другое использование изделия не допускается.

Использование запчастей и оснастки, которые не одобрены изготовителем изделия также не допускается.

Неправильная эксплуатация может причинить вред владельцу и окружающим.

Изготовитель снимает с себя ответственность за надежность изделия и безопасность работы с ним, в случае использования его не по прямому назначению.

### ОСНОВНЫЕ ТРЕБОВАНИЯ БЕЗОПАСНОСТИ



#### ВНИМАНИЕ !

Внимательно ознакомьтесь с требованиями инструкции по безопасности. Не соблюдение требований данной инструкции может привести к поражению электрическим током, пожару или травмам.

#### ХРАНИТЕ ДАННУЮ ИНСТРУКЦИЮ В ДОСТУПНОМ МЕСТЕ

#### 1) Рабочее место

- Содержите рабочее место чистым и свободным от посторонних предметов.
- Рабочее место должно быть хорошо освещено во избежание несчастных случаев.
- Не используйте изделие для работы во взрывоопасной атмосфере и вблизи от легковоспламеняющихся жидкостей. Электродвигатель изделия при работе искрит, и это может стать причиной пожара.
- Во время работы не допускайте посторонних и детей к рабочему месту

#### 2) Электробезопасность

- Сетевая розетка должна соответствовать штепсельной вилке, установленной на сетевом кабеле изделия. Запрещается внесение изменений в конструкцию вилки и использование любых переходников.
- Во время работы избегайте контакта с заземленными предметами: водопроводными трубами, радиаторами отопления и т.д. При контакте с заземленными предметами значительно возрастает риск поражения электрическим током.
- Предохраняйте изделие от воздействия воды и повышенной влажности. Попадание воды внутрь изделия может привести к поражению электрическим током.
- Берегите сетевой кабель изделия. Не используйте кабель для переноски изделия, не тяните за кабель чтобы выключить изделие. Располагайте кабель во время работы вдали от источников тепла, подвижных частей изделия и предметов с острыми краями.

## 2. ОСНОВНЫЕ ТРЕБОВАНИЯ БЕЗОПАСНОСТИ

Поврежденный кабель может стать причиной поражения электрическим током.

- **При работе изделием вне помещения применяйте удлинитель, специально предназначенный для эксплуатации на открытом воздухе.**

Использование специального удлинителя значительно снижает риск поражения электрическим током.

- **Параметры сети для подключения изделия должны соответствовать параметрам указанным на маркировочной табличке изделия ( 230 V~, 50 Hz).**

### 3) Личная безопасность

- **Не работайте изделием в состоянии алкогольного или наркотического опьянения, под воздействием лекарств и в болезненном состоянии.**

Кратковременная потеря контроля над изделием во время работы может стать причиной серьезной травмы.

- **Всегда применяйте средства индивидуальной защиты и защитные очки. К средствам индивидуальной защиты относятся: респиратор, нескользящая обувь и шумозащитные наушники.** Применение средств защиты сделает работу более комфортной и безопасной.

- **Внимательно следите за тем, чтобы при включении изделия в сеть, клавиша выключателя не была зафиксирована во включенном положении.**

Это поможет избежать случайного включения изделия.

- **Следите за тем, чтобы перед включением изделия из него были удалены регулировочные инструменты, отвертки и т.п.**

Попадание инструмента в подвижные части изделия при включении может стать причиной травмы и привести к выходу изделия из строя.

- **При работе занимайте устойчивое положение.**

**Всегда стойте на устойчивой опоре.**

Потеря равновесия во время работы может стать причиной серьезной травмы.

- **Не одевайте для работы излишне свободную одежду. Перед началом работы снимите ювелирные украшения.**

**Если у Вас длинные волосы, спрячьте их под головной убор.**

Попадание краев одежды, ювелирных изделий и волос в движущиеся части изделия может привести к травме.

- **Если в изделии предусмотрено подключение пылесоса обязательно подключите его перед работой.**

Эффективное удаление пыли из рабочей зоны сделает работу более удобной и сохранит Ваше здоровье.

## 2. ОСНОВНЫЕ ТРЕБОВАНИЯ БЕЗОПАСНОСТИ

### 4) Безопасное использование и хранение изделия

- **Не перегружайте изделие. Для каждого вида работ используйте только тот тип инструмента или оснастки, который для этого предназначен.**
- **Не используйте изделие с неисправным выключателем.** Если выключатель работает нечетко, и включение/выключение изделия затруднено, выключатель подлежит немедленной замене.
- **Всегда отключайте изделия от сети перед тем как отрегулировать изделие или поменять оснастку.** Это поможет избежать случайного включения изделия во время работ по его обслуживанию.
- **Храните изделие в месте, недоступном детям и лицам не имеющим навыков работы с изделием. Лицо, ранее не работавшее таким типом инструмента обязано перед началом работы внимательно прочитать эту инструкцию полностью.**
- **Перед началом работы внимательно проверяйте состояние изделия: легкость перемещения подвижных частей, отсутствие повреждений корпусных деталей и оснастки.** Любая поврежденная часть изделия или оснастки должна быть заменена перед началом работы.
- **Содержите режущую оснастку в чистом виде, хорошо заточенной и смазанной.**
- **Используйте инструмент и оснастку только для производства тех видов работ, которые предусмотрены в инструкции по эксплуатации данного изделия.** Использование изделия не по прямому назначению может привести к его поломке и травмам.

### 5) Сервисное обслуживание

Ремонт изделия должен осуществляться в авторизованном сервисном центре, квалифицированным персоналом и с использованием только оригинальных запасных частей. Использование при ремонте запасных частей не сертифицированных производителем данного изделия может привести к выходу изделия из строя и нарушению норм электробезопасности изделия.

**Дополнительные инструкции безопасности для Вашей электродрели.**

- **Не используйте электроинструмент с поврежденным сетевым кабелем.** Если в процессе работы кабель был поврежден, не касаясь поврежденного участка, отключите изделие от сети. Поврежденный кабель увеличивает риск поражения электрическим током.
- **При повреждении кабеля, ремонт должен осуществляться только в авторизованном сервисном центре.**
- **Запрещается работать с материалами содержащими асбест.** Мельчайшие частицы пыли при работе оказываются в воздухе и могут подвергнуть опасности Ваше здоровье.

**ОПИСАНИЕ**

- |                                       |   |
|---------------------------------------|---|
| 1. Патрон                             | 4. Клавиша выключателя                  |
| 2. Переключатель направления вращения | 5. Кнопка фиксатора клавиши выключателя |
| 3. Регулятор скорости вращения        |   |

**ПОДГОТОВКА К РАБОТЕ**

Удалите упаковку и удостоверьтесь, что комплектация изделия полная.

**Установка сверла**

- Вращая подвижную часть патрона против часовой стрелки, раздвиньте губки патрона на необходимую величину.
- Установите сверло в патрон. Сверло должно быть закреплено в патроне на максимальной глубине.
- Вращая подвижную часть патрона по часовой стрелке, надёжно зафиксируйте сверло в патроне.
- Включите дрель на холостом ходу и убедитесь, что сверло прочно зафиксировано в патроне и не имеет биения.

**Использование бит**

При использовании бит желательно применять универсальный держатель. Всегда при закручивании и откручивании винтов используйте только те биты, рабочая часть которых соответствует углублению на головке винта. Производите закручивание и откручивание винтов при низких скоростях вращения.

**РАБОТА****Советы по работе с инструментом**

- Руки должны быть сухими, без следов масла и жира.
- Убедитесь, что вблизи места сверления нет водопроводных труб и электрических кабелей.
- Вставляйте бит в головку винта только при выключенной дрели.

**Рекомендации по работе с Вашей дрелью**

**Сверление стали.** Используйте сверла, предназначенные для сверления металла и низкую скорость вращения.

**Завинчивание/отвинчивание винтов.** Используйте частоту оборотов.

**Сверление отверстий.** При сверлении отверстий большого диаметра, предварительно засверлите его сверлом меньшего диаметра и только потом используйте сверло большого диаметра.

**Включение/выключение инструмента**

- Подключите устройство к сети.
- Приставьте дрель непосредственно к месту сверления.
- Нажмите и держите клавишу выключателя (4) для включения.
- Для выключения, отпустите клавишу выключателя (4).

Для длительной работы Вы можете нажать кнопку фиксатора выключателя (5). При этом выключатель (4) должен быть во включенном положении.

Инструмент будет включен до тех пор, пока Вы не нажмёте на клавишу выключателя (4).

**ВНИМАНИЕ !** В случае потери контроля над инструментом в процессе длительной работы, он не выключится автоматически. В этом случае необходимо немедленно вытащить штепсель из сетевой розетки и выключить инструмент.

Гарантией безопасности при длительной работе является:

- **Всегда крепко держите инструмент в руках.**
- **Всегда удерживайте один палец на выключателе, чтобы иметь возможность быстро выключить инструмент.**

**Установка скорости вращения**

Установите необходимую вам скорость вращения на холостом ходу при помощи регулятора скорости (3).

Оптимальная скорость вращения зависит от обрабатываемого материала, способа сверления и используемого сверла.

- **Лёгкое нажатие на клавишу выключателя (4)**  
Низкая скорость вращения (для небольших винтов и мягких материалов)
- **Сильное нажатие на клавишу выключателя (4)**  
Высокая скорость вращения (для больших винтов и твёрдых материалов)

**Примечание** Во избежании увода сверла в процессе работы, начинайте сверление с низких оборотов и в процессе углубления увеличивайте скорость вращения. В этом случае дрель легче контролируется и работа выполняется с более высокой точностью.

**Выбор направления вращения**

**Внимание !** Запрещается переключать направление вращения во время сверления. Перед переключением направления вращения отпустите клавишу выключателя и дождитесь остановки вращения шпинделя.

- Направление вращения выбирается при помощи переключателя (2).
- Позиция переключателя "R": вращение вправо/вперёд/по часовой стрелке. Для сверления и закручивания винтов переведите переключатель (2) в крайнее левое положение.
- Позиция переключателя "L": вращение влево/назад/против часовой стрелки. Для ослабления или выкручивания винтов переведите переключатель (2) в крайнее правое положение.

**Охлаждение двигателя** Если двигатель сильно перегревается, дайте ему 2-3 минуты проработать на холостом ходу при полных оборотах.

**УХОД И ОБСЛУЖИВАНИЕ**

**ВНИМАНИЕ !** Перед любыми работами по чистке или обслуживанию:

- Выключите инструмент и дождитесь полной остановки шпинделя.
- Отключите инструмент от сети.

**Чистка изделия** После каждого использования чистите изделие от пыли, стружки и опилок. Для чистки используйте влажную ткань с небольшим количеством мыла. Не используйте для чистки моющие средства или растворители

они могут вызвать повреждение прастмассовых деталей изделия.  
Проследите, чтобы вода не попала внутрь изделия.

**Обслуживание** Данное изделие не нуждается в обслуживании, связанном с разборкой инструмента. Если изделие не функционирует, ремонт должен производиться только специалистом в сервисном центре.

**Замена запасных частей**

**ВНИМАНИЕ!** Использование при ремонте запасных частей других производителей может привести к выходу изделия из строя и серьезным травмам.

Только оригинальные запасные части, установленные в авторизованном сервисном центре STATUS, гарантируют надёжную и безопасную работу изделия.

**ТЕХНИЧЕСКИЕ ДАННЫЕ**

Модель	D380	Максимальный диаметр сверления:	
Напряжение питания	230В ~50 Гц	Дерево / Сталь	20 мм /10 мм
Мощность	380 Вт	Вес	1,4 кг
Скорость вращения	3000 об/мин	Срок службы изделия	5 лет
Патрон	10 мм		

**Информация о шуме и вибрациях (EN 60745):**

Уровень звукового давления  $L_{pA}$  90 дБ(А), Неопределенность  $K_{pA}$  3.0 дБ

Уровень звуковой мощности  $L_{wA}$  101 дБ(А), Неопределенность  $K_{wA}$  3.0 дБ

**Используйте средства защиты от шума!**

**Излучение вибраций ( в соответствии с т. 6.2.7 EN 60745-1):**

Величина вибрации  $a_{hпд}$  7,67 м/с<sup>2</sup>, Неопределенность  $K$  1.5 м/с<sup>2</sup>

Комплектация: Дрель D380, инструкция, упаковка.

Производитель оставляет за собой право изменять технические параметры изделия и его комплектацию без предварительного уведомления.

**ДЕКЛАРАЦИИ СООТВЕТСТВИЯ**

STATUS ITALIA S.R.L. заявляет, что изделие торговой марки STATUS:

Дрель D380 соответствует следующим директивам и стандартам ЕС:

2014/30/EU, EN 55014-1:2006 + A1:2009+A2:2011, EN55014-2:2015,

EN 61000-3-2:2014, EN 61000-3-3:2013

Техническая документация хранится у производителя: STATUS ITALIA S.R.L.,  
via Aldo Moro, 14/A, 36060 - Pianezze (VI), ITALY



Карон Джиасинто  
Директор  
STATUS ITALIA S.R.L.

Изделие соответствует требованиям следующих технических регламентов

Таможенного Союза: TP TC 004/2011, TP TC 010/2011, TP TC 020/2011.

Информация о сертификате находится на сайте [www.status-tools.com](http://www.status-tools.com).

Изготовитель: «СТАТУС ИТАЛИЯ С.р.л.» Виа Альдо Моро, 14/А,

36060 Пянецце, Италия. Сделано в кнр.

Представитель в России:

ООО «ИНСТАТУС» 119590,г. Москва, ул. Мосфильмовская, д.52, корп.1