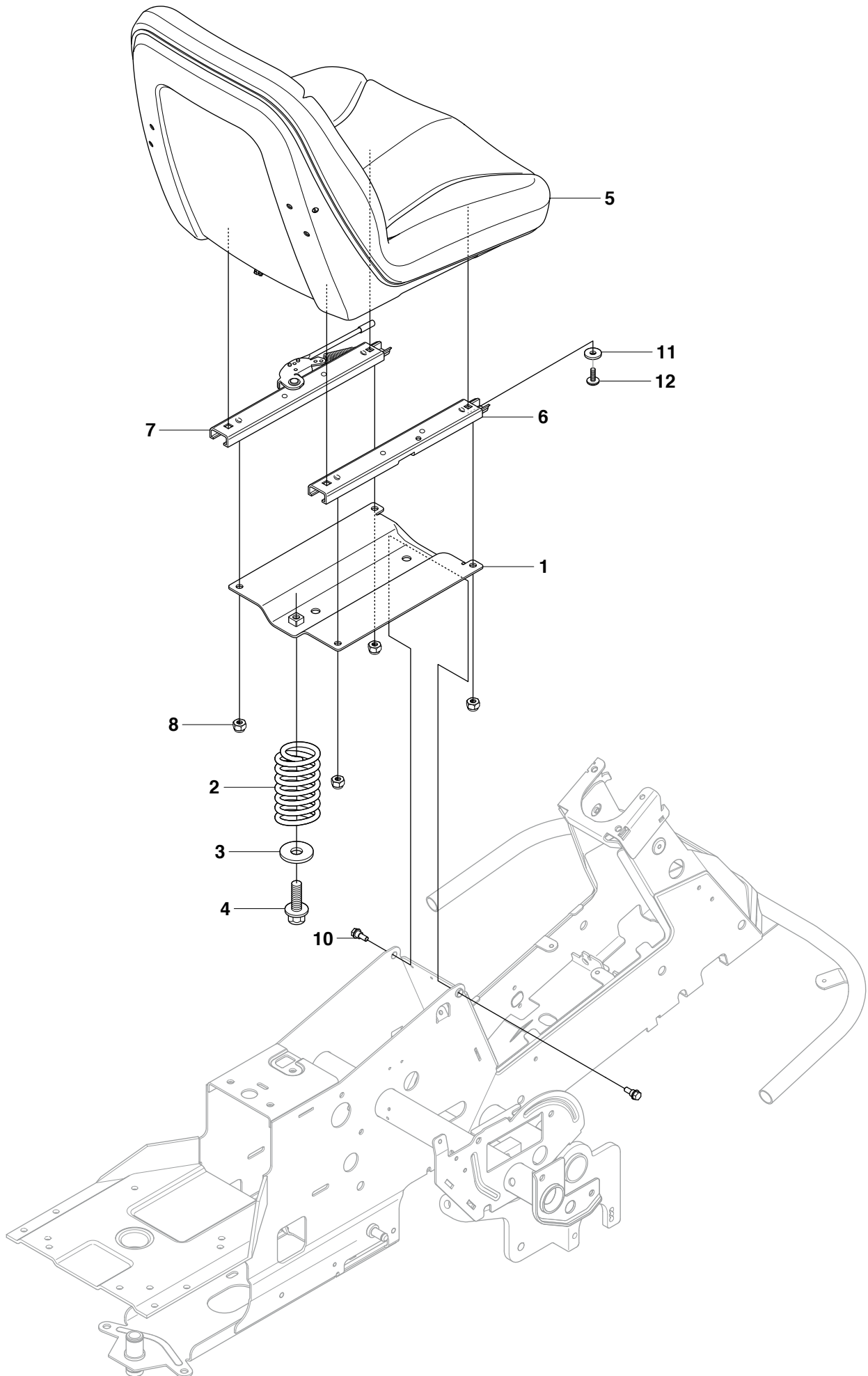


# R 15T AWD

# R 15Ts AWD

**Spare parts**  
**Ersatzteile**  
**Pièces détachées**  
**Reserve onderdelen**  
**Repuestos**  
**Reservdelar**

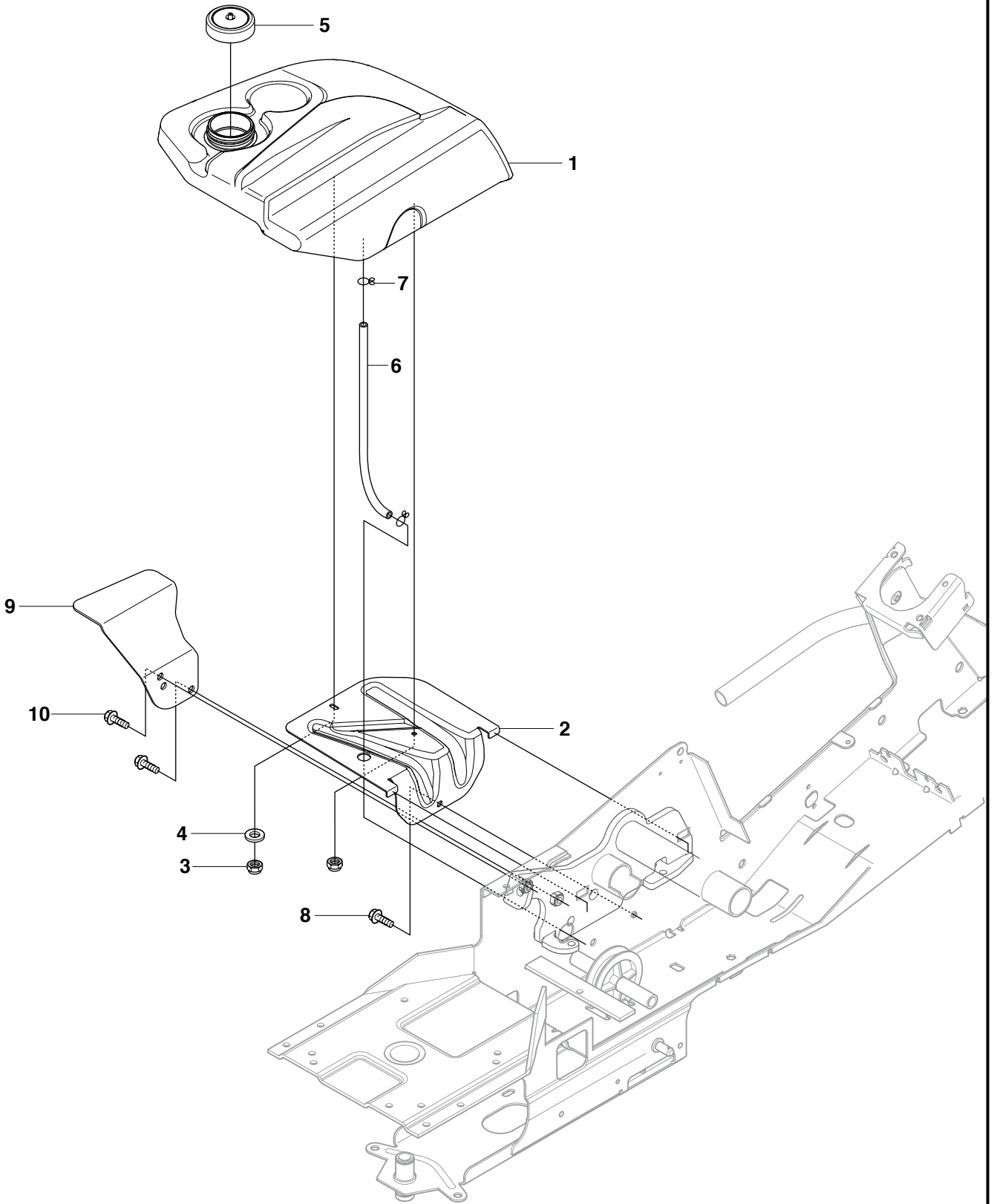
**A** R15T AWD, R15Ts AWD  
SEAT



<b>Page A    R15T AWD, R15Ts AWD    SEAT</b>				
<b>Position</b>	<b>Article</b>	<b>Quantity</b>	<b>Notes</b>	<b>Kit</b>
1	573 99 50-01	1		
2	506 91 53-01	1		
3	734 11 74-41	1		
4	725 24 93-71	1		
5	544 43 34-01	1		
6	506 99 69-01	1		
7	506 99 69-02	1		
8	732 21 18-01	4		
10	506 59 74-01	2		
11	535 40 18-01	4		
12	874 78 05-12	4		

309524445 C

**B** R15T AWD, R15Ts AWD  
FUEL SYSTEM

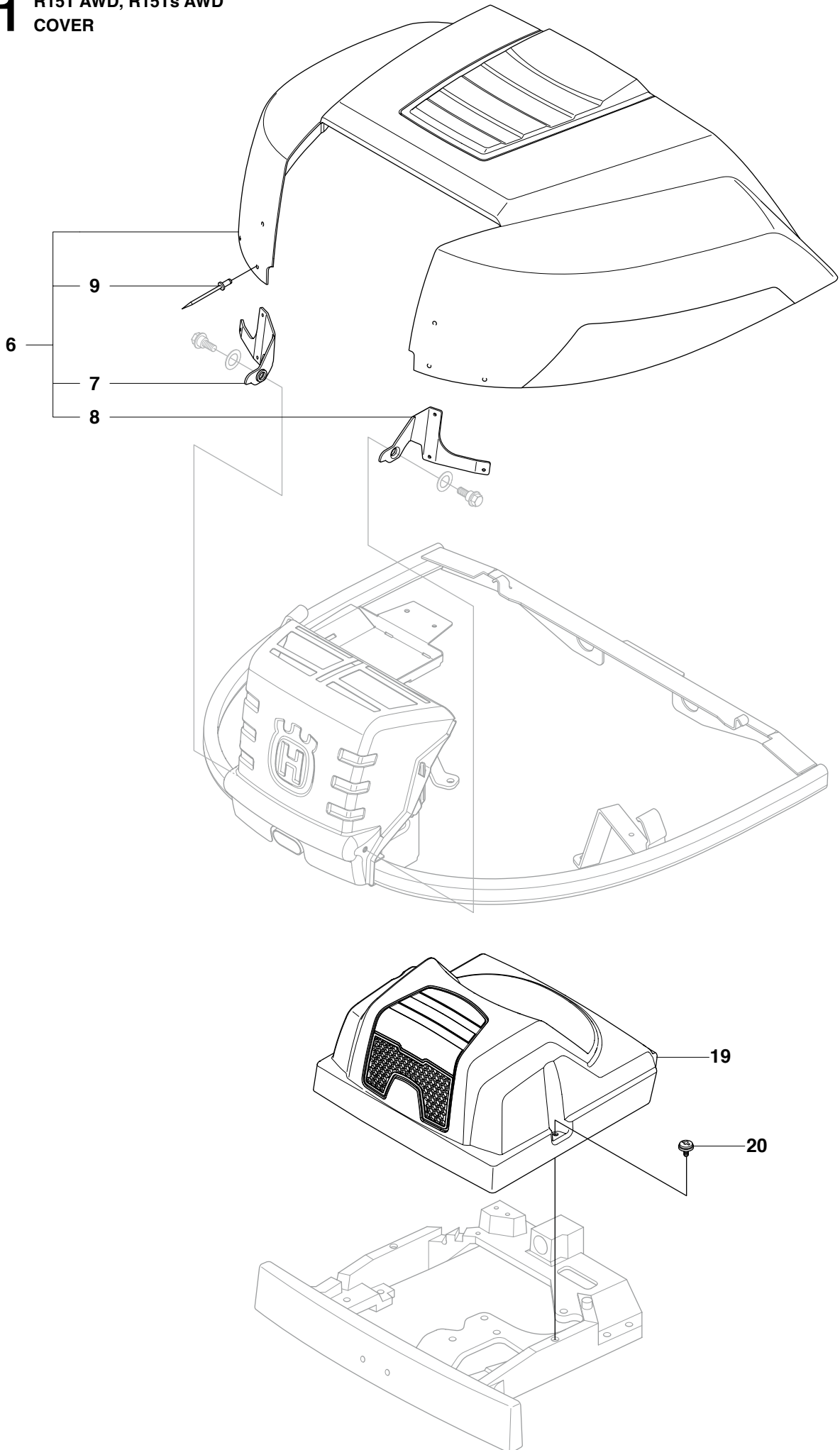


**Page B R15T AWD, R15Ts AWD FUEL SYSTEM**

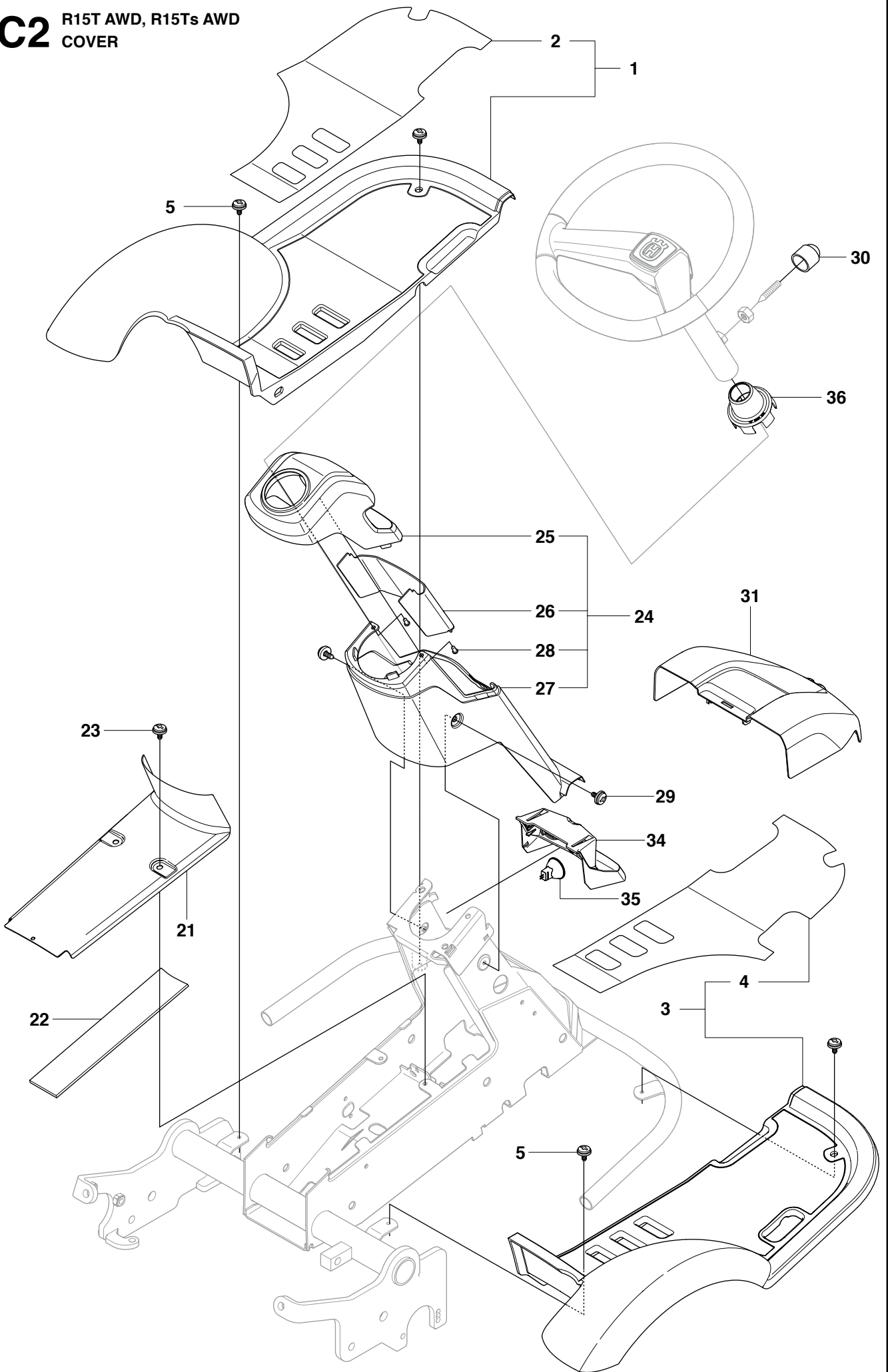
20252445J

<b>Position</b>	<b>Article</b>	<b>Quantity</b>	<b>Notes</b>	<b>Kit</b>
1	535 50 13-01	1		
2	544 32 93-01	1		
3	732 21 16-01	2		
4	734 11 56-01	1		
5	506 67 33-01	1		
6	504 80 00-03	1		
7	535 46 97-01	2		
8	725 23 64-61	1		
9	501 02 03-01	1		
10	725 24 93-71	2		

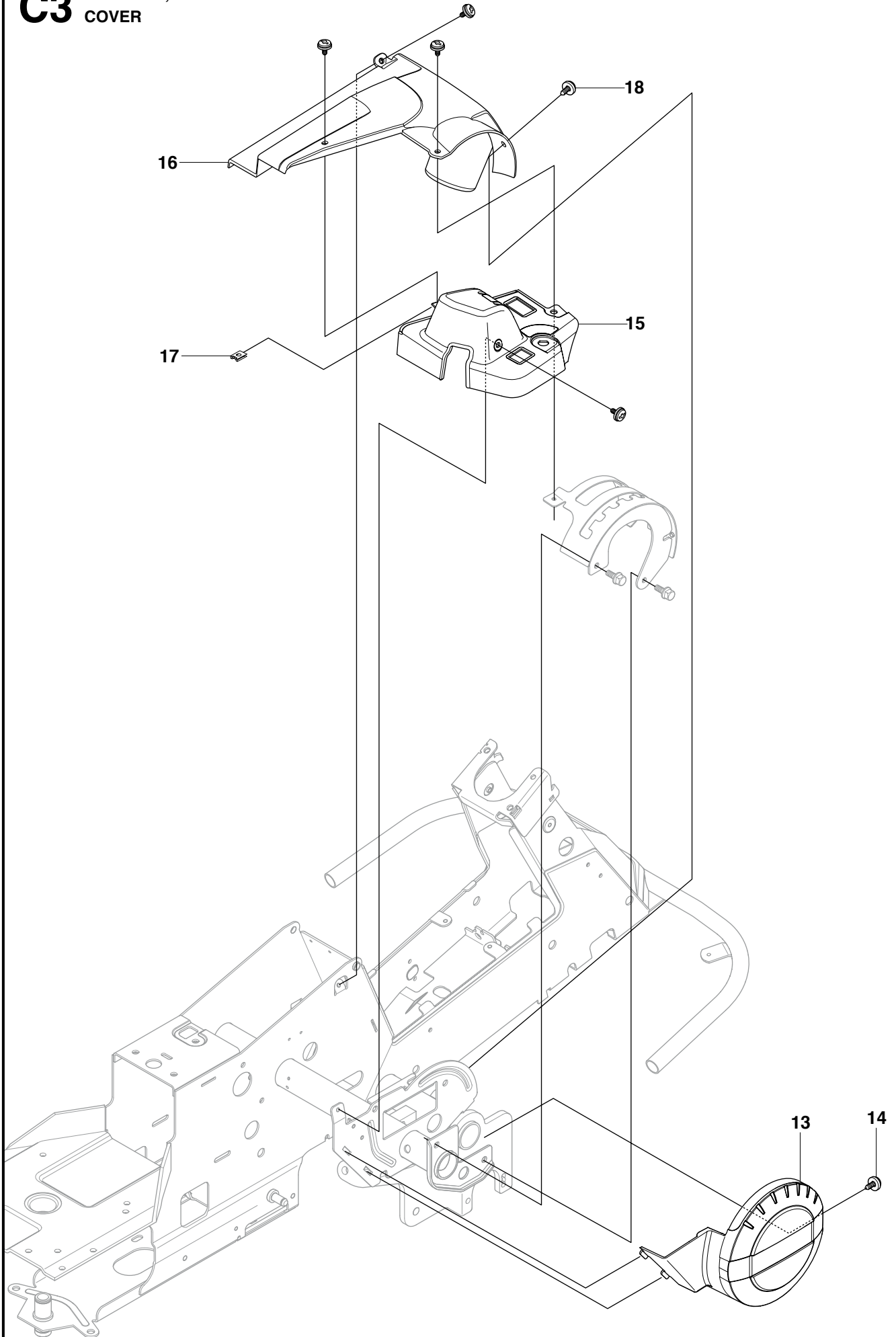
**C1** R15T AWD, R15Ts AWD  
COVER



**C2** R15T AWD, R15Ts AWD  
COVER



**C3** R15T AWD, R15Ts AWD  
COVER

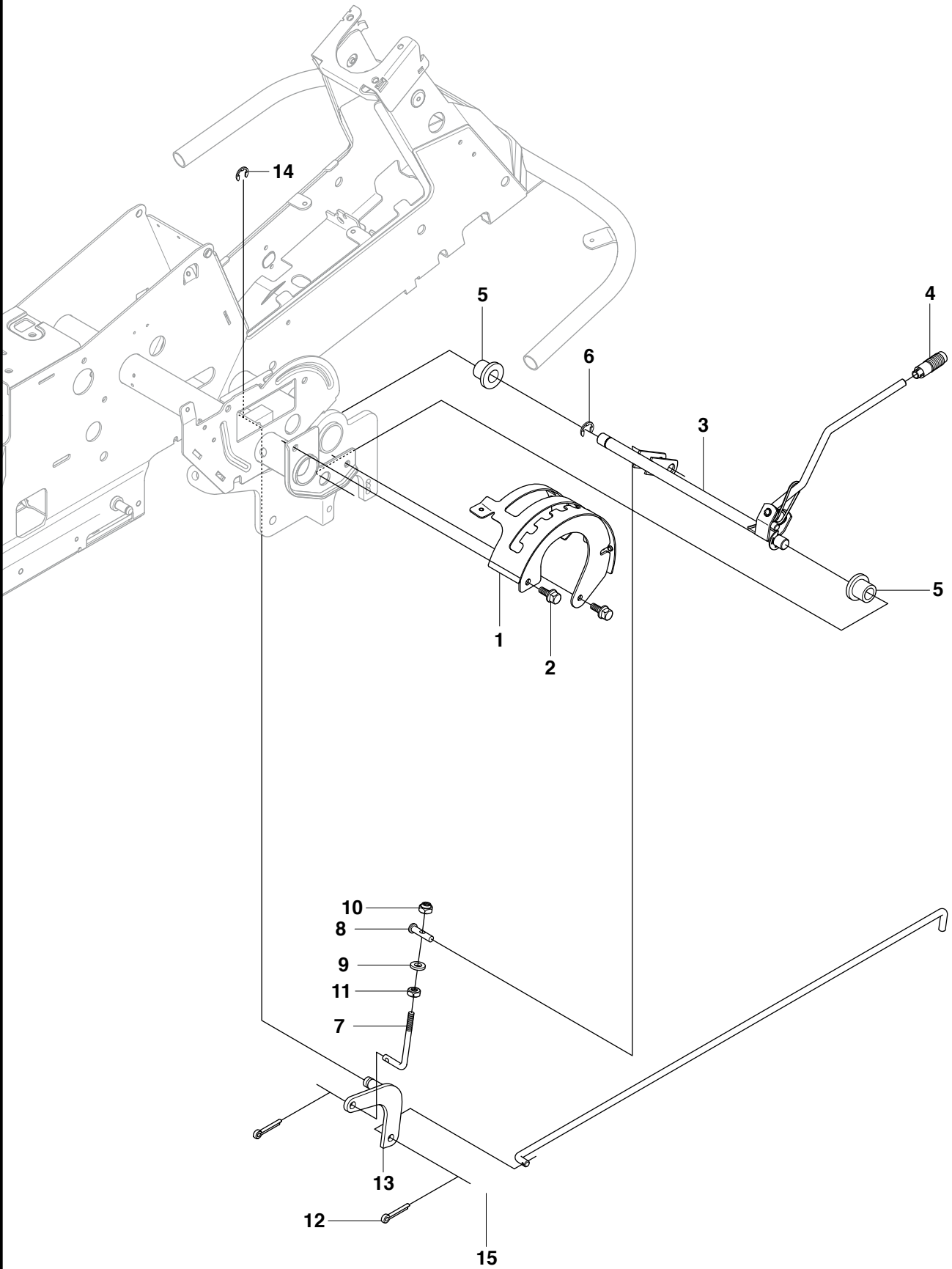




<b>Page C R15T AWD, R15Ts AWD COVER</b>				
<b>Position</b>	<b>Article</b>	<b>Quantity</b>	<b>Notes</b>	<b>Kit</b>
1	544 89 59-01	1		
2	544 24 84-01	1		1
3	544 89 59-03	1		
4	544 24 84-03	1		3
5	544 40 05-01	4		
6	544 24 50-03	1		
7	544 24 51-01	1		6
8	544 24 51-02	1		6
9	722 79 54-02	6		6
13	535 50 25-01	1		
14	544 40 05-01	1		
15	544 33 21-01	1		
16	544 33 22-02	1		
17	535 42 91-01	1		
18	544 40 05-01	4		
19	574 85 61-01	1		
20	574 85 62-01	2		
21	544 23 92-01	1		
22	544 42 75-01	1		
23	544 40 05-01	2		
24	502 49 82-01	1		
25	502 29 75-01	1		24
26	502 46 58-01	1		24
27	502 29 76-01	1		24
28	729 53 27-71	2		24
29	544 40 05-01	2		
30	544 43 32-01	1		
31	525 56 24-01	1		
34	502 30 02-01	1		
35	502 46 66-01	2		
36	535 46 05-01	1		

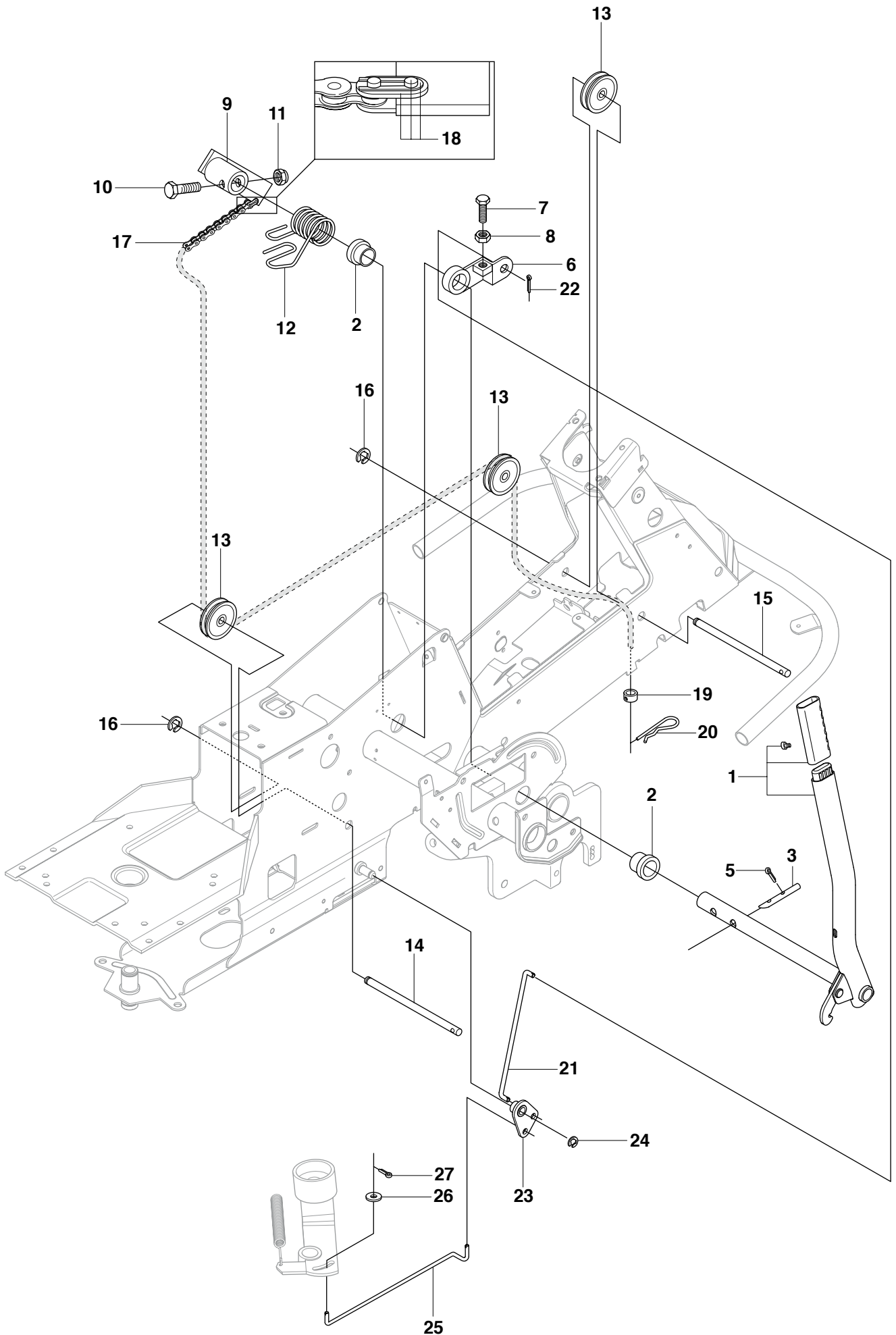
11452445 N

**D** R15T AWD, R15Ts AWD  
HEIGHT ADJUSTMENT



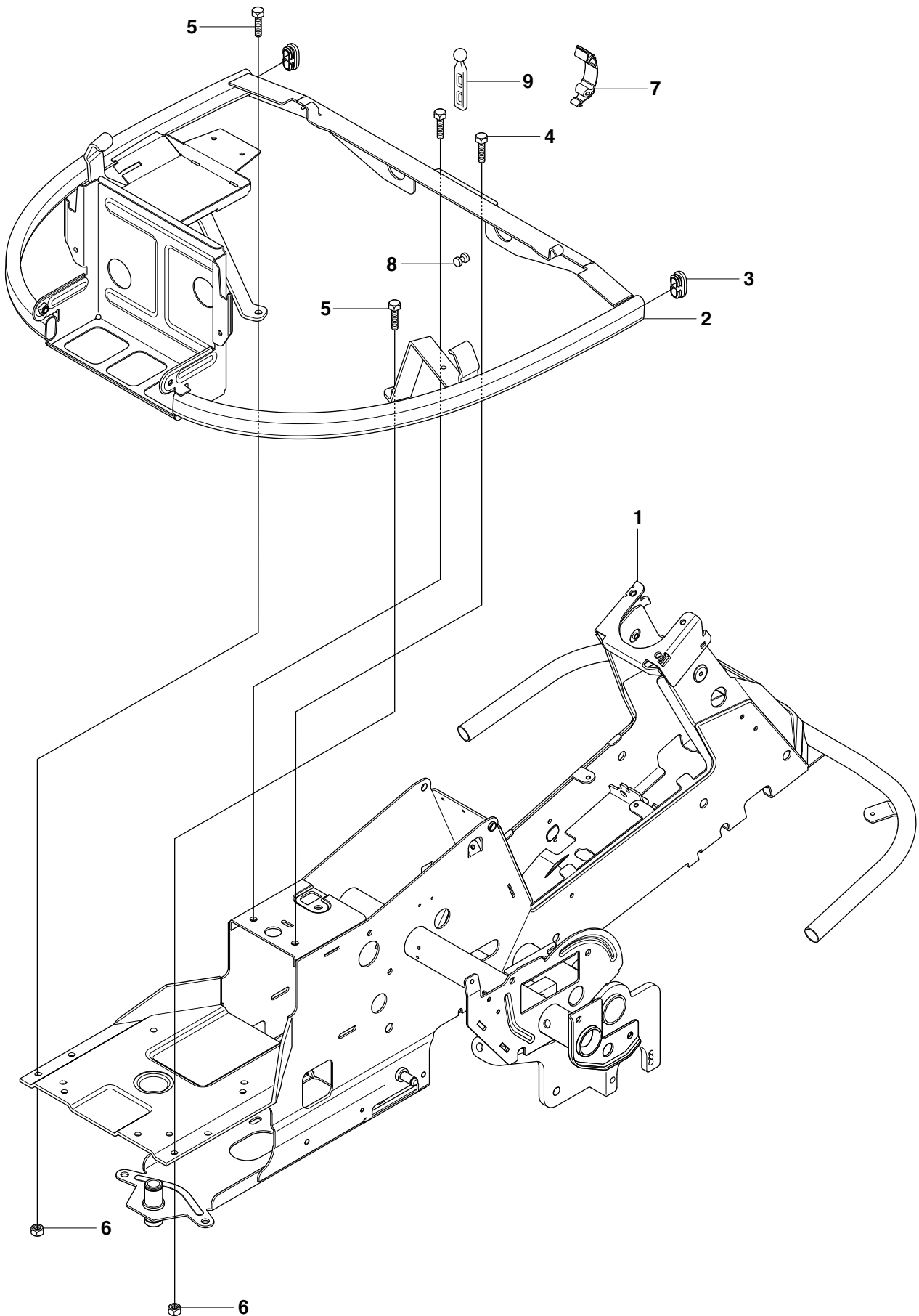
5094244511

<b>Position</b>	<b>Article</b>	<b>Quantity</b>	<b>Notes</b>	<b>Kit</b>
1	535 50 14-01	1		
2	506 57 01-03	2		
3	504 73 45-01	1		
4	506 54 20-01	1		
5	506 55 43-01	2		
6	735 31 22-20	1		
7	506 90 82-01	1		
8	506 78 46-01	1		
9	734 11 72-01	1		
10	732 21 18-01	1		
11	731 23 18-01	1		
12	721 61 83-01	2		
13	525 47 60-01	1		
14	735 31 15-20	1		
15	523 11 45-01	1		

**E****R15T AWD, R15Ts AWD  
MOWER LIFT**

<b>Position</b>	<b>Article</b>	<b>Quantity</b>	<b>Notes</b>	<b>Kit</b>
1	501 01 86-01	1		
2	506 55 65-01	2		
3	525 40 66-01	1		
5	721 61 83-01	1		
6	506 78 43-01	1		
7	725 24 97-51	1		
8	731 23 20-51	1		
9	544 43 36-01	1		
10	725 25 42-51	1		
11	732 25 22-01	1		
12	506 91 68-01	1		
13	506 90 56-01	2		
14	506 90 57-01	1		
15	506 90 57-02	1		
16	735 31 18-20	2		
17	506 55 46-07	1		
18	506 55 47-01	1		
19	544 93 42-01	1		
20	506 96 66-01	1		
21	544 45 69-01	1		
22	721 61 83-01	1		
23	544 37 86-01	1		
24	735 31 14-20	1		
25	544 44 88-01	1		
26	734 11 64-41	1		
27	721 61 83-01	1		

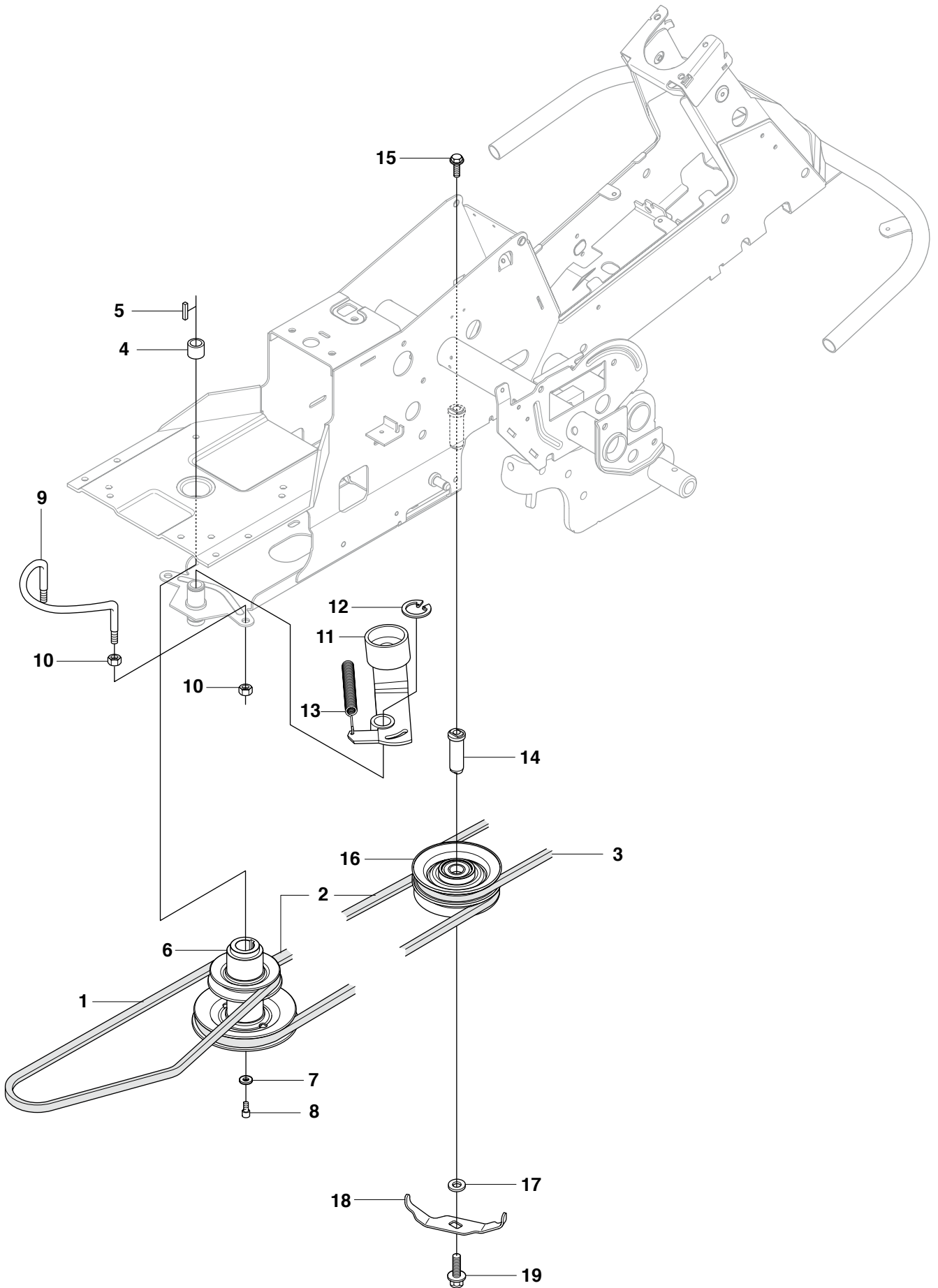
**F** R15T AWD, R15Ts AWD  
CHASSIS



<b>Position</b>	<b>Article</b>	<b>Quantity</b>	<b>Notes</b>	<b>Kit</b>
1	502 65 56-01	1		
2	544 24 42-03	1		
3	544 24 44-01	2		
4	506 57 01-03	2		
5	725 24 51-71	2		
6	732 21 18-01	2		
7	503 89 47-03	1		
8	506 59 95-01	1		
9	506 59 96-01	1		



R15T AWD, R15Ts AWD  
TRANSMISSION

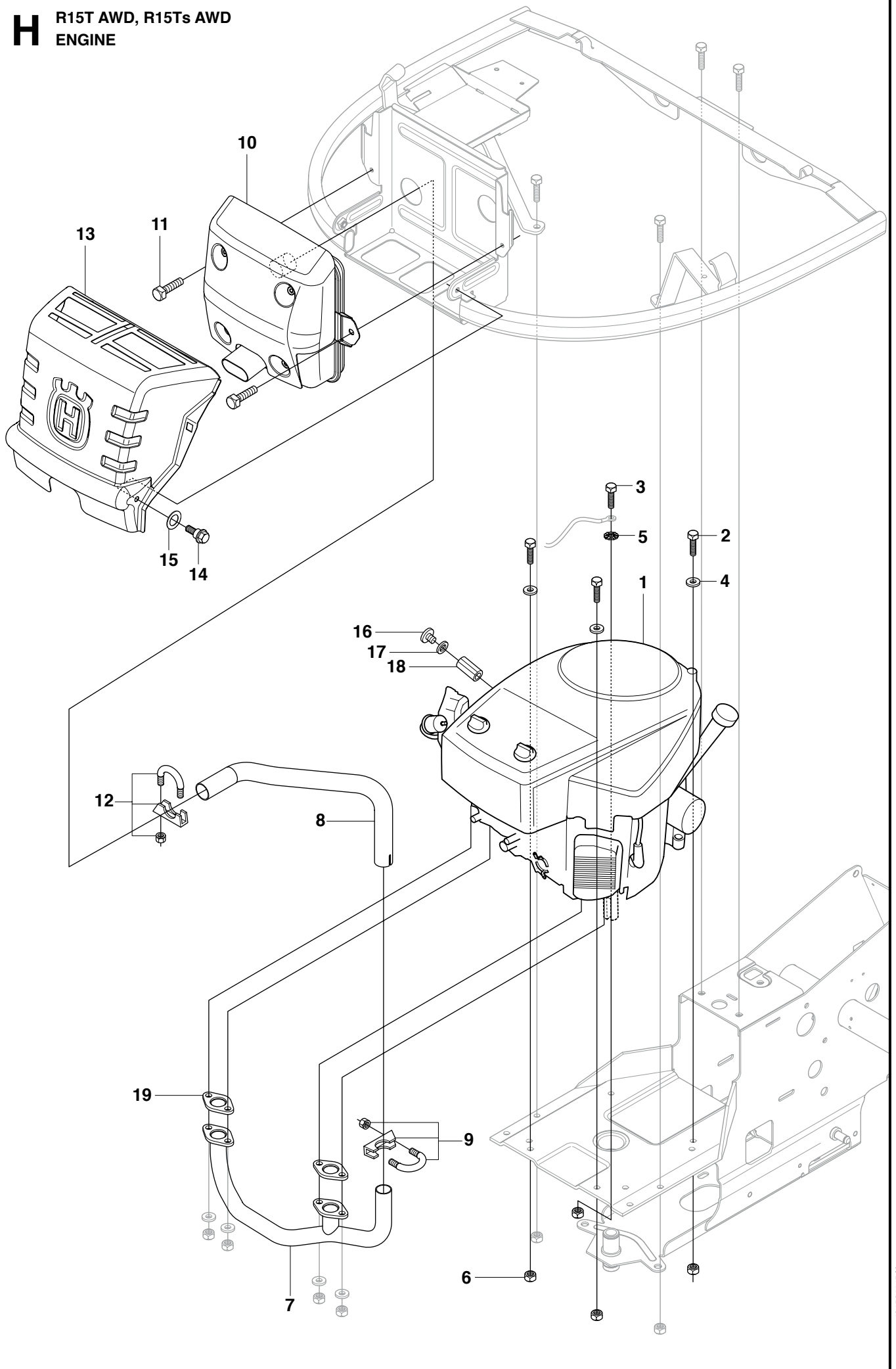




<b>Position</b>	<b>Article</b>	<b>Quantity</b>	<b>Notes</b>	<b>Kit</b>
1	506 98 83-01	1		
2	544 40 02-01	1		
3	535 41 19-01	1		
4	506 50 92-01	1		
5	506 55 59-01	1		
6	535 48 24-01	1		
7	506 59 75-01	1		
8	506 55 60-02	1		
9	506 66 45-01	1		
10	731 23 20-51	4		
11	535 48 44-01	1		
12	735 31 26-00	1		
13	506 66 56-01	1		
14	544 42 61-01	1		
15	506 67 54-02	1		
16	535 48 22-01	1		
17	506 77 57-01	1		
18	544 40 53-01	1		
19	506 57 01-05	1		

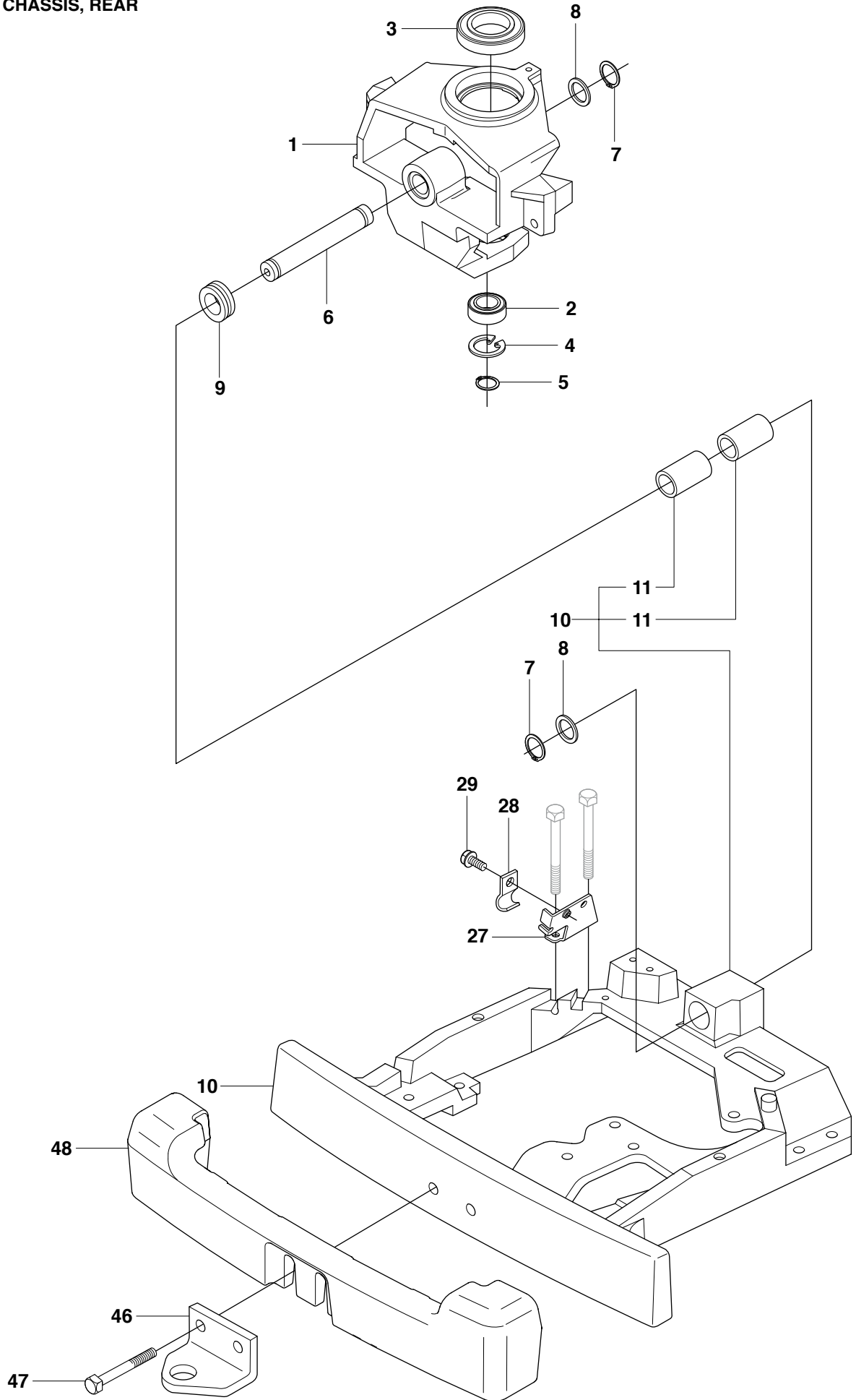


R15T AWD, R15Ts AWD  
ENGINE

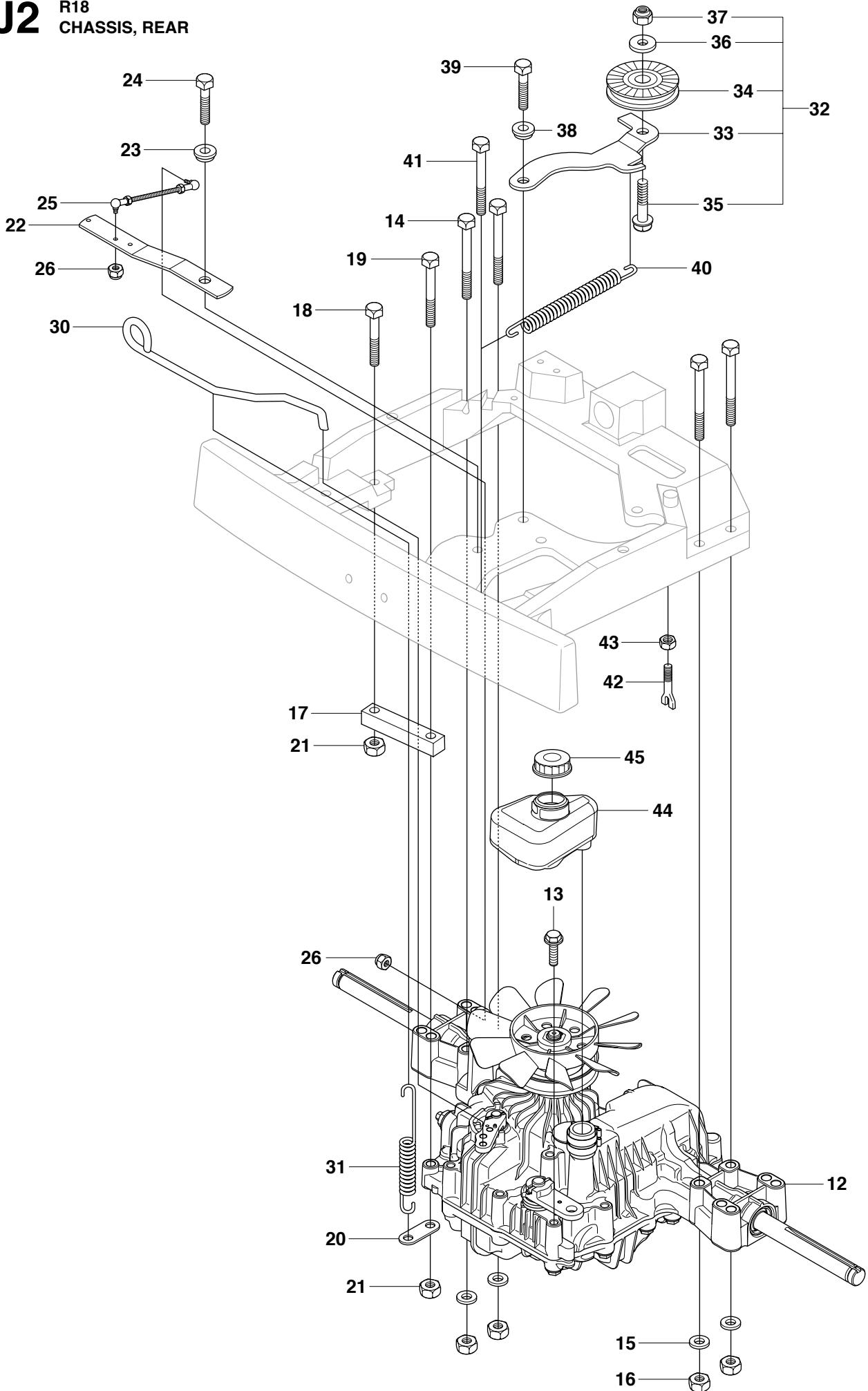


<b>Position</b>	<b>Article</b>	<b>Quantity</b>	<b>Notes</b>	<b>Kit</b>
1	535 45 19-01	1		
2	725 24 57-51	3		
3	725 24 59-51	1		
4	734 11 64-01	3		
5	735 21 64-00	1		
6	732 21 18-01	4		
7	510 13 14-01	1		
8	544 01 33-01	1		
9	506 66 84-01	1		
10	544 33 57-02	1		
11	725 23 64-61	2		
12	506 66 84-01	1		
13	544 24 83-01	1		
14	506 59 74-01	2		
15	506 83 94-01	2		
16	535 41 44-60	1		1
17	531 00 11-90	1		1
18	535 41 44-16	1		1
19	535 41 42-36	2		1

# J1 R18 CHASSIS, REAR



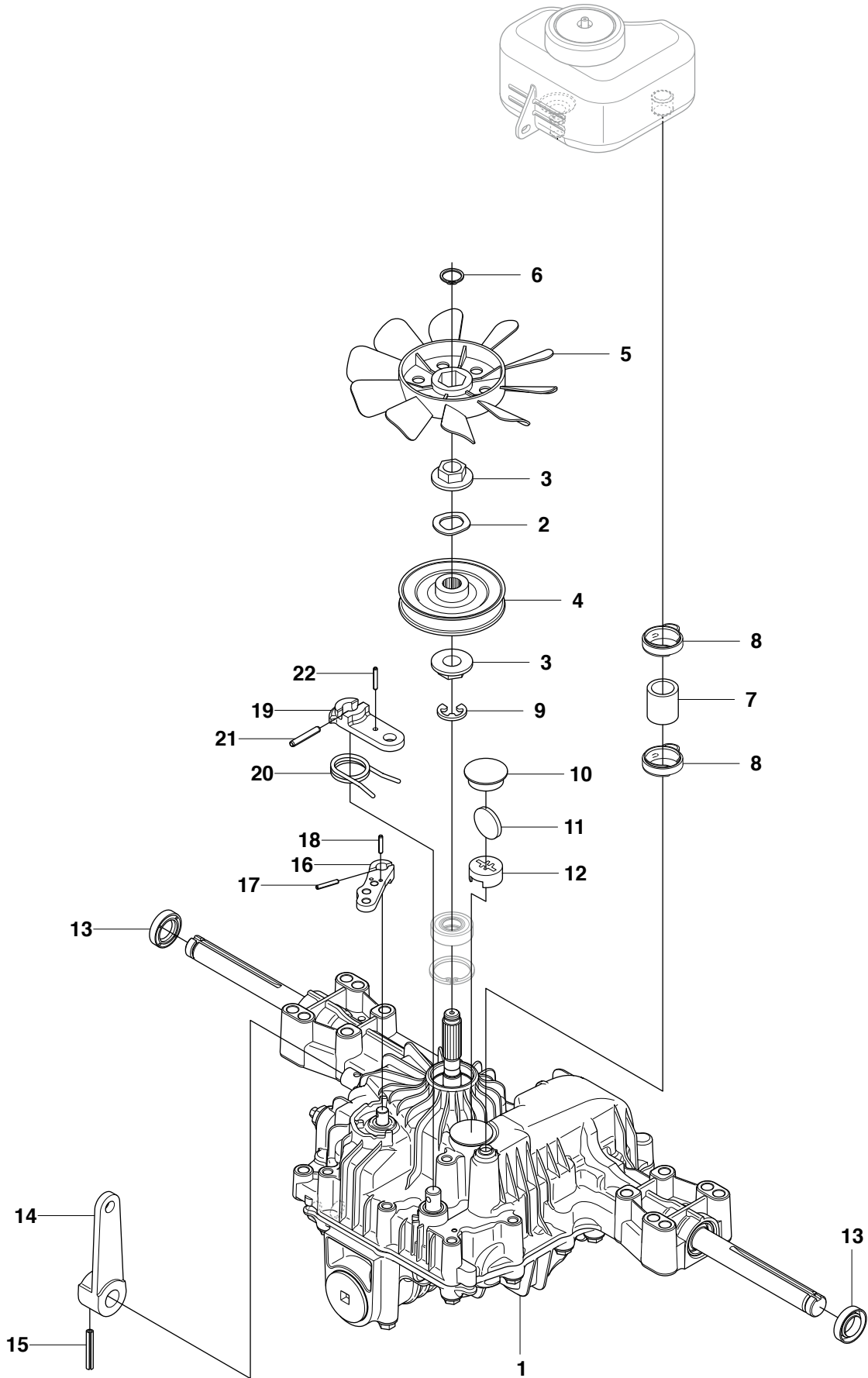
**J2** R18  
CHASSIS, REAR



<b>Page J R15T AWD, R15Ts AWD CHASSIS, REAR</b>				
<b>Position</b>	<b>Article</b>	<b>Quantity</b>	<b>Notes</b>	<b>Kit</b>
1	506 98 58-03	1		
2	738 21 05-04	1		
3	738 21 10-04	1		
4	735 31 40-10	1		
5	735 31 26-00	1		
6	506 98 59-01	1		
7	735 31 26-00	2		
8	506 77 34-01	2		
9	740 68 14-21	1		
10	535 40 60-01	1		
11	506 98 61-02	2		10
12	544 11 61-01	1	R15T AWD	
12	573 95 61-01	1	R15Ts AWD	
13	725 24 67-51	4		
15	734 11 64-01	4		
16	731 23 18-01	4		
17	506 98 72-01	1		
18	725 24 59-51	1		
19	725 24 62-51	1		
20	506 59 93-01	1		
21	731 23 18-01	2		
22	506 98 74-03	1		
23	506 91 87-02	1		
24	725 24 51-51	1		
25	506 98 75-01	1		
26	732 21 14-01	2		
27	544 26 21-01	1		
28	506 56 65-01	1		
29	725 23 64-61	1		
30	506 98 82-01	1		
31	506 83 43-01	1		
32	506 98 84-01	1		
33	506 98 85-01	1		32
34	506 94 69-01	1		32
35	725 24 55-51	1		32
36	734 11 64-41	1		32
37	732 21 18-01	1		32
38	506 91 87-02	1		
39	725 24 51-51	1		
40	506 98 86-01	1		
41	725 24 64-51	1		
42	506 98 88-01	1		
43	731 23 20-51	1		
44	544 10 01-01	1		
45	506 67 33-01	1		
46	506 88 99-01	1		
47	725 25 00-51	2		
48	544 03 96-02	1		
49	544 12 17-01	1		

SAP/STANDARD 54870/01/04

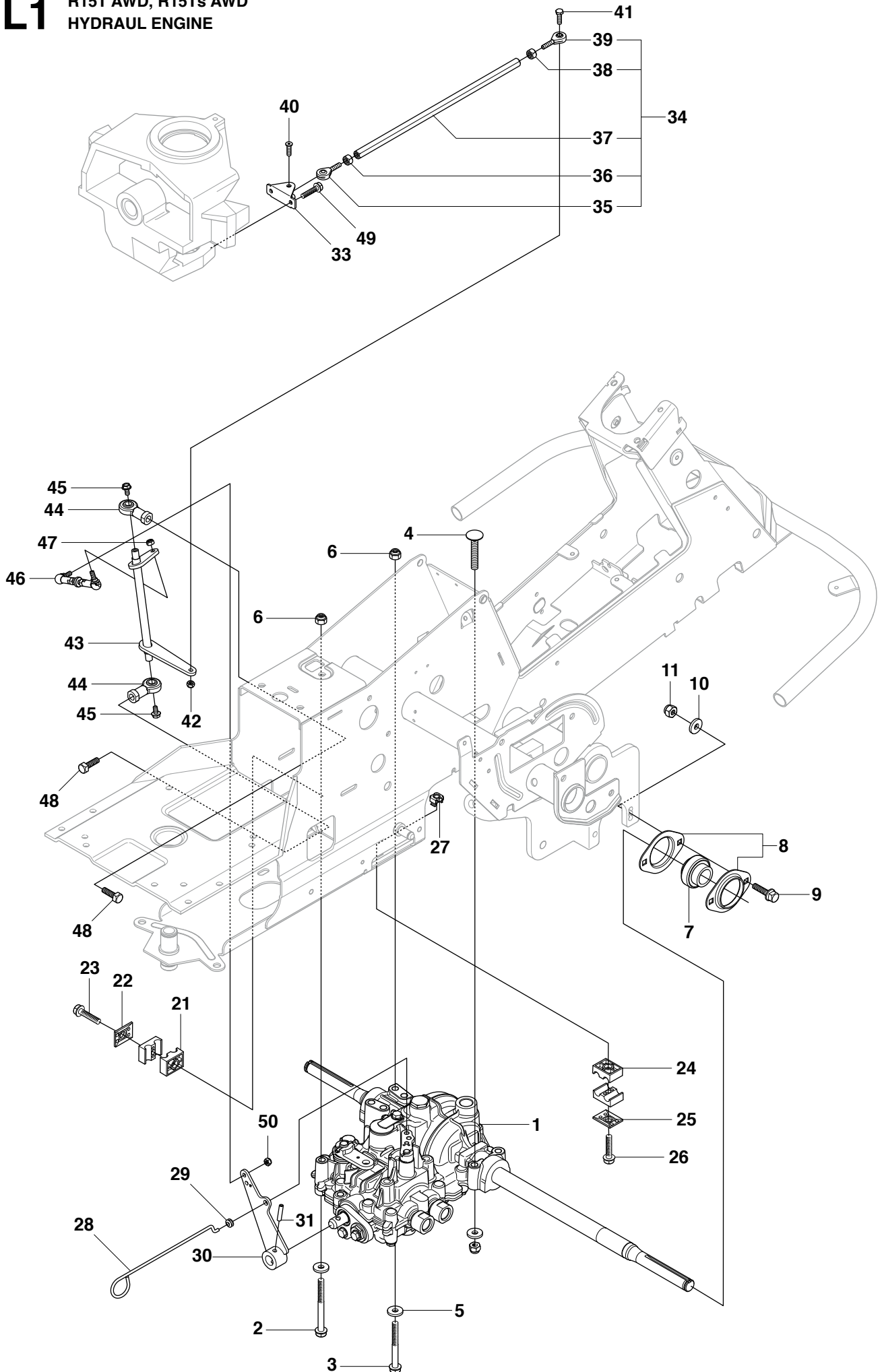
**K** R15T AWD, R15Ts AWD  
HYDROSTAT K574 SP (Rider R15V2 AWD)  
HYDROSTAT K574 PO (Rider R15V2s AWD)



<b>Page K R15T AWD, R15Ts AWD HYDROSTAT</b>				
<b>Position</b>	<b>Article</b>	<b>Quantity</b>	<b>Notes</b>	<b>Kit</b>
1	544 11 61-01	1	R15T AWD	
1	502 63 32-01	1	R15Ts AWD	
2	506 98 65-01	1		
3	506 98 66-01	2		
4	502 45 19-01	1		
5	506 98 68-01	1		
6	735 31 15-00	1		
7	502 45 16-01	1		
8	506 98 70-01	2		
9	535 40 28-07	1		1
10	535 40 28-32	1		1
11	535 40 28-29	1		1
12	502 45 20-01	1		1
13	535 40 28-37	2		1
14	502 45 32-01	1		1
15	535 40 28-09	1		1
16	535 40 28-17	1		1
17	535 40 28-16	1		1
18	535 40 28-33	1		1
19	535 40 28-38	1		1
20	535 40 28-39	1		1
21	535 40 28-40	1		1
22	535 40 28-41	1		1

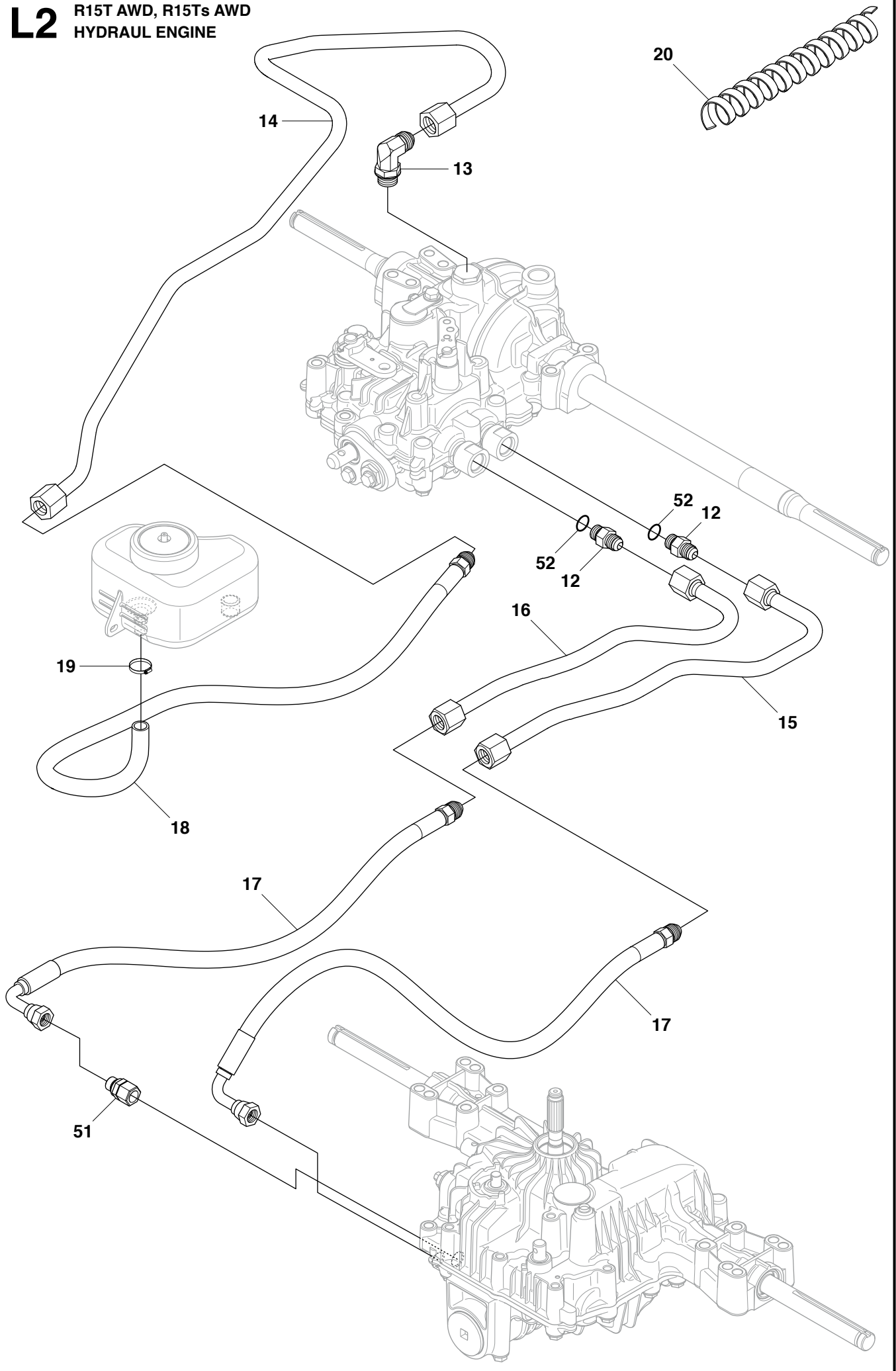
SAPPHIRE 54870014



**L1****R15T AWD, R15Ts AWD  
HYDRAUL ENGINE**

**L2**

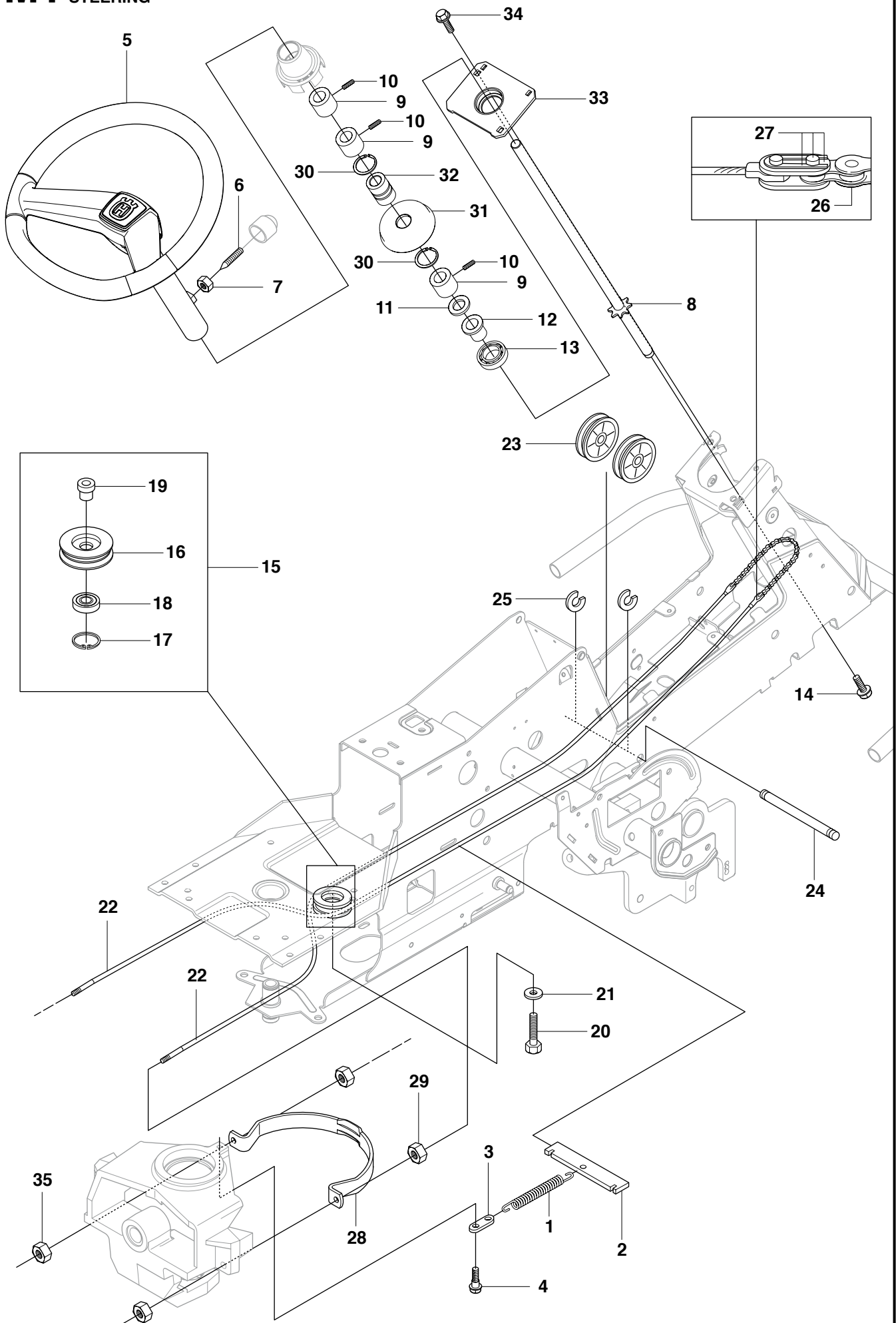
R15T AWD, R15Ts AWD  
HYDRAULIC ENGINE



Page L R15T AWD, R15Ts AWD HYDRAUL ENGINE				
Position	Article	Quantity	Notes	Kit
1	575 48 43-01	1		
2	725 24 67-51	1		
3	725 24 64-51	1		
4	535 42 38-03	1		
5	734 11 64-01	3		
6	732 21 18-01	3		
7	544 00 89-02	1		
8	544 00 90-02	1		
9	506 57 01-05	2		
10	734 11 64-01	2		
11	732 21 18-01	2		
12	535 42 68-06	2		
13	535 43 73-02	1		
14	525 49 12-01	1		
15	544 80 79-01	1		
16	544 80 80-01	1		
17	544 45 64-03	2		
18	522 42 98-02	1		
19	505 13 11-01	1		
20	544 02 66-03	1		
21	544 37 33-03	1		
22	535 43 85-01	1		
23	725 23 78-61	1		
24	544 37 33-02	1		
25	544 37 38-02	1		
26	506 57 01-07	1		
27	544 81 17-01	1		
28	535 49 97-01	1		
29	503 73 58-01	1		
30	544 43 52-01	1		
31	721 43 47-01	1		
33	535 49 28-02	1		
34	544 45 67-03	1		
35	535 48 66-02	1		34
36	503 22 10-18	1		34
37	535 48 65-03	1		34
38	731 23 16-01	1		34
39	535 48 66-01	1		34
40	544 84 17-01	1		
41	725 23 70-71	1		
42	732 25 16-01	1		
43	535 49 74-02	1		
44	506 95 17-01	2		
45	535 47 52-12	2		
46	544 44 19-01	1		
47	732 25 16-01	1		
48	725 24 93-71	2		
49	725 23 66-51	2		
50	732 21 16-01	1		
51	504 56 74-01	1	R15Ts AWD	
52	505 45 11-01	2		

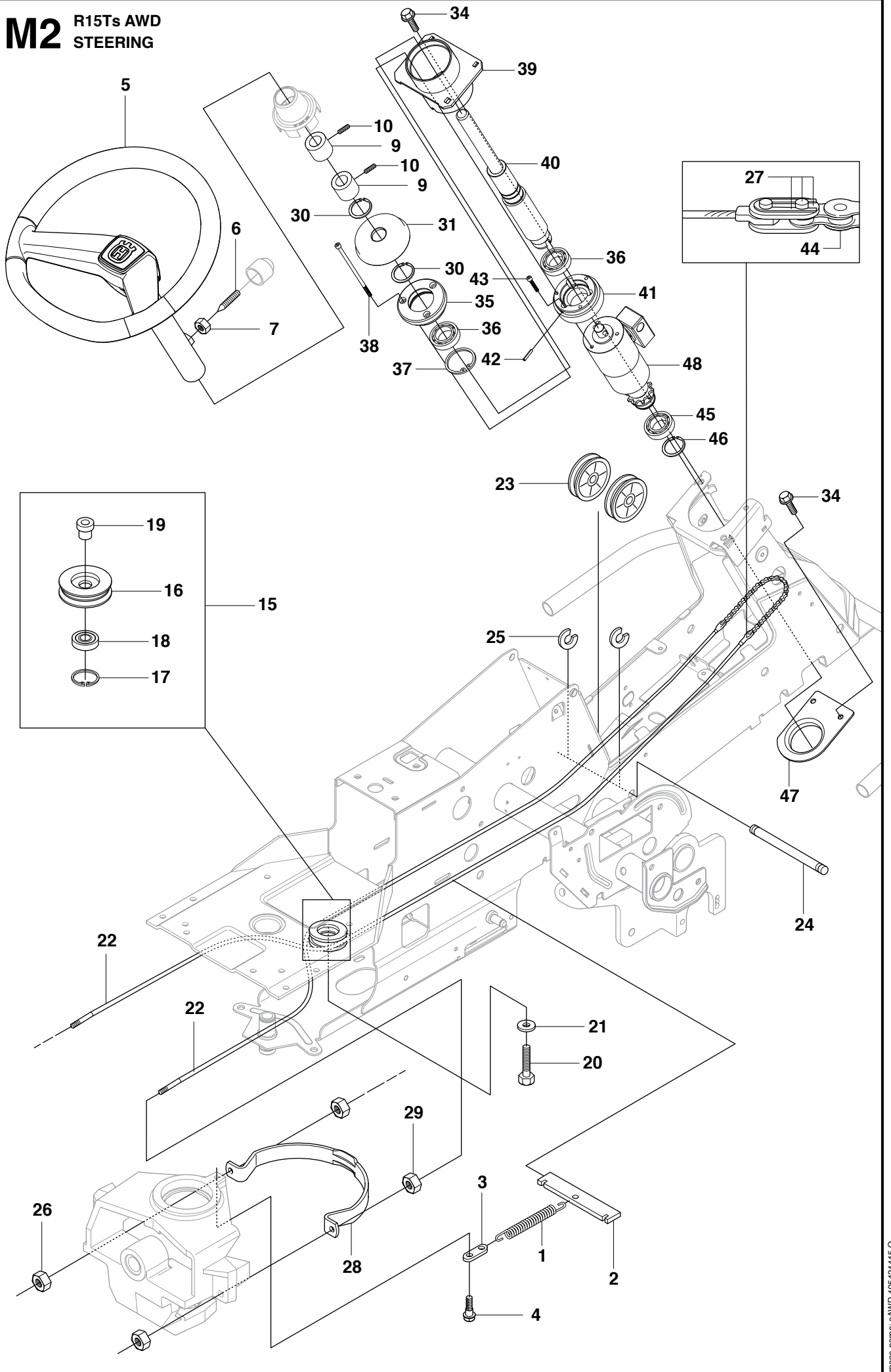
54486702-N 10768445-N

# M1 R15T AWD STEERING



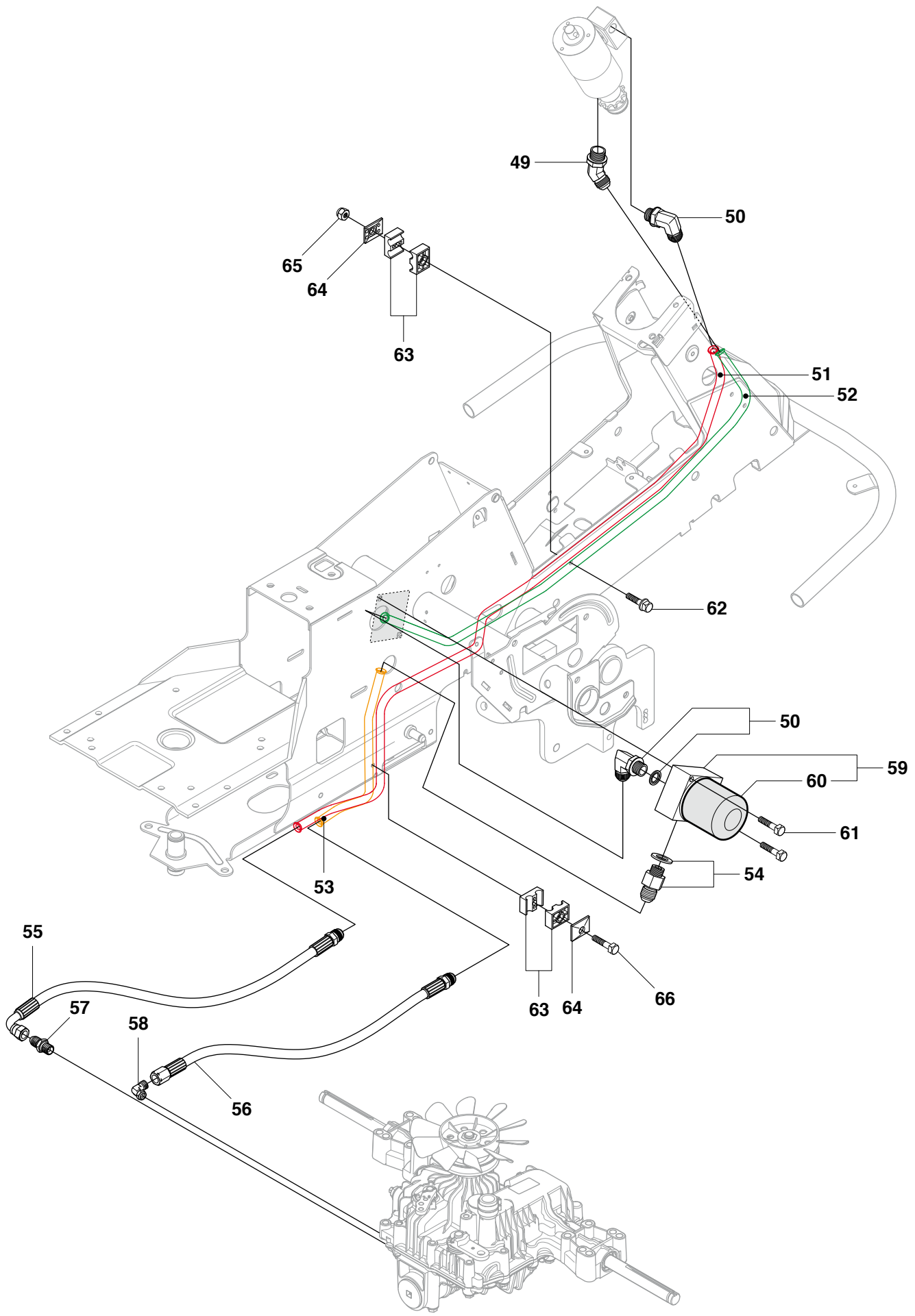
Position	Article	Quantity	Notes	Kit
1	506 67 19-01	1		
2	506 57 63-01	1		
3	506 67 08-01	1		
4	506 59 74-01	1		
5	544 37 52-01	1		
6	728 74 55-05	1		
7	731 23 18-01	1		
8	575 63 22-01	1		
9	506 86 34-01	3		
10	728 84 43-05	3		
11	506 86 36-01	1		
12	506 88 78-01	1		
13	738 21 04-04	1		
14	506 57 01-04	1		
15	506 50 09-03	1		
16	535 42 41-01	1		15
17	735 31 40-10	1		15
18	738 22 04-19	1		15
19	506 50 08-02	1		15
20	506 67 54-02	1		
21	734 11 74-41	1		
22	506 58 91-04	2		
23	506 52 24-01	2		
24	506 53 94-03	1		
25	735 31 14-20	2		
26	506 55 46-01	1		
27	506 55 47-01	2		
28	544 42 73-01	1		
29	731 23 20-51	2		
30	735 31 26-00	2		
31	535 42 37-01	1		
32	535 44 78-01	1		
33	502 64 93-01	1		
34	506 57 01-04	2		
35	732 21 20-51	2		

# M2 R15Ts AWD STEERING



Position	Article	Quantity	Notes	Kit
1	506 67 19-01	1		
2	506 57 63-01	1		
3	506 67 08-01	1		
4	506 59 74-01	1		
5	544 37 52-01	1		
6	728 74 55-05	1		
7	731 23 18-01	1		
9	506 86 34-01	2		
10	728 84 43-05	2		
15	506 50 09-03	1		
16	535 42 41-01	1		15
17	735 31 40-10	1		15
18	738 22 04-19	1		15
19	506 50 08-02	1		15
20	506 67 54-03	1		
21	734 11 74-41	1		
22	506 58 91-04	2		
23	506 52 24-01	2		
24	506 53 94-03	1		
25	735 31 14-20	2		
26	732 21 20-51	2		
27	506 55 47-01	2		
28	544 42 73-01	1		
29	731 23 20-51	2		
30	735 31 26-00	2		
31	535 42 37-01	1		
34	506 57 01-04	4		
35	535 42 36-01	1		
36	738 21 05-04	2		
37	735 31 40-10	1		
38	535 43 28-01	3		
39	502 29 62-01	1		
40	535 42 19-01	1		
41	535 42 35-01	1		
42	721 43 35-01	1		
43	725 53 70-01	3		
44	506 55 46-10	1		
45	535 42 78-01	1		
46	735 31 33-00	1		
47	504 53 82-01	1		
48	535 45 71-02	1		

# M3 R15Ts AWD STEERING

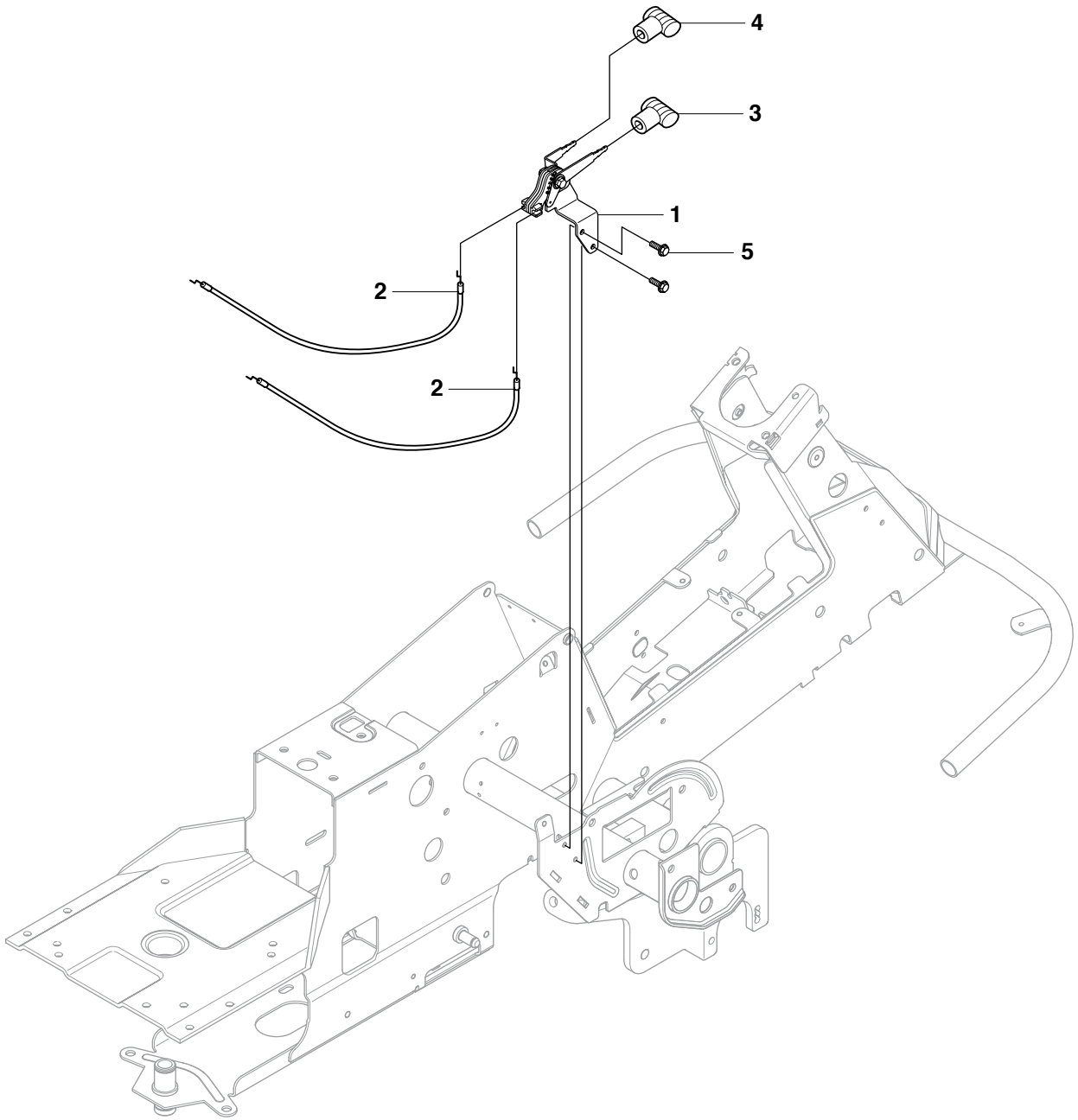




Page M3 R15Ts AWD		STEERING	
49	535 42 69-01	1	
50	535 43 73-01	2	
51	502 85 44-01	1	
52	502 85 45-01	1	
53	502 85 46-01	1	
54	535 42 68-01	1	
55	535 45 03-02	1	
56	535 45 04-02	1	
57	535 42 65-01	1	
58	535 42 66-01	1	
59	535 44 87-01	1	
60	535 42 75-02	1	59
61	725 54 62-01	2	
62	535 47 52-45	1	
63	544 37 33-03	2	
64	535 43 85-01	2	
65	732 21 16-01	1	
66	725 23 78-61	1	

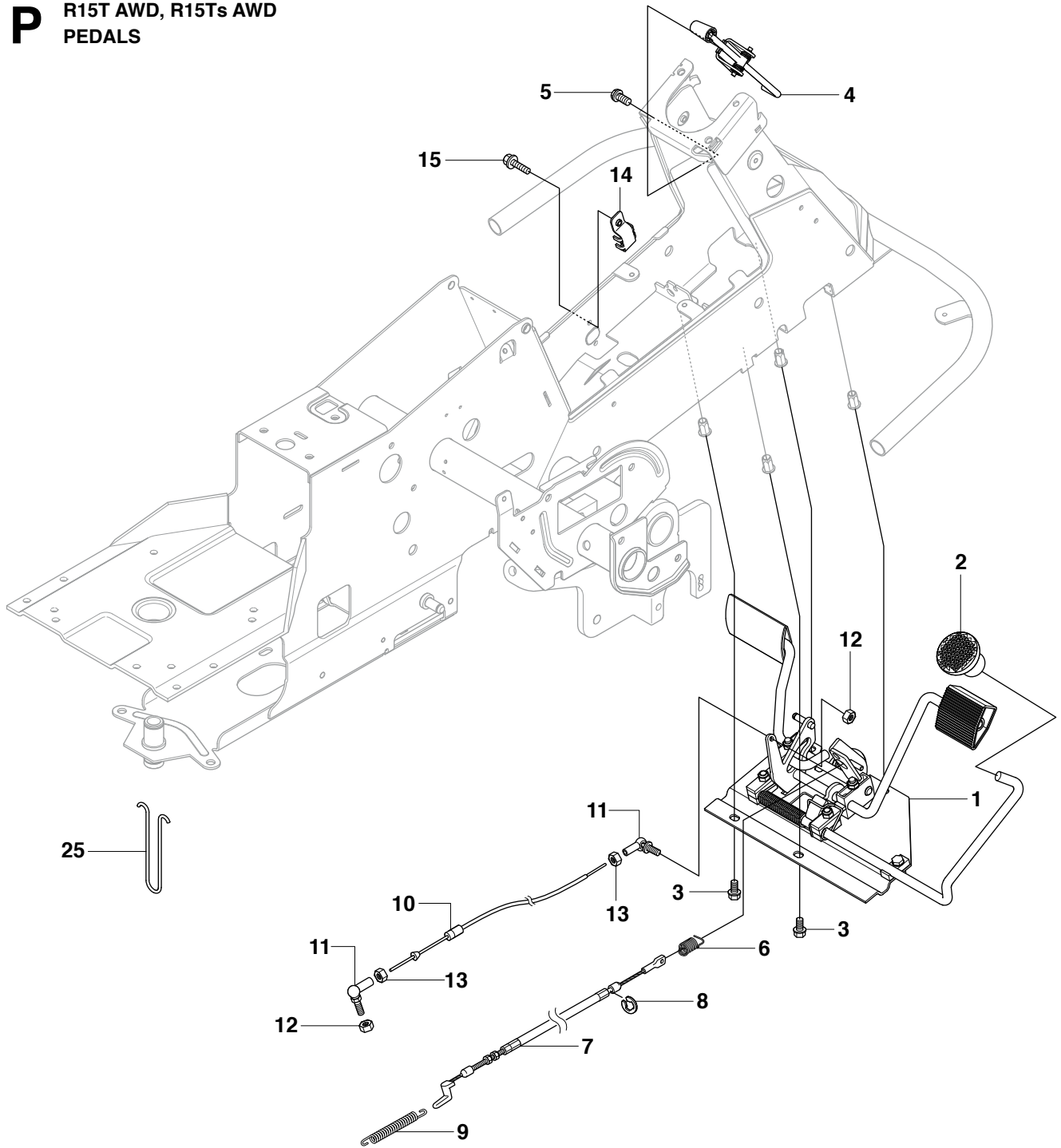
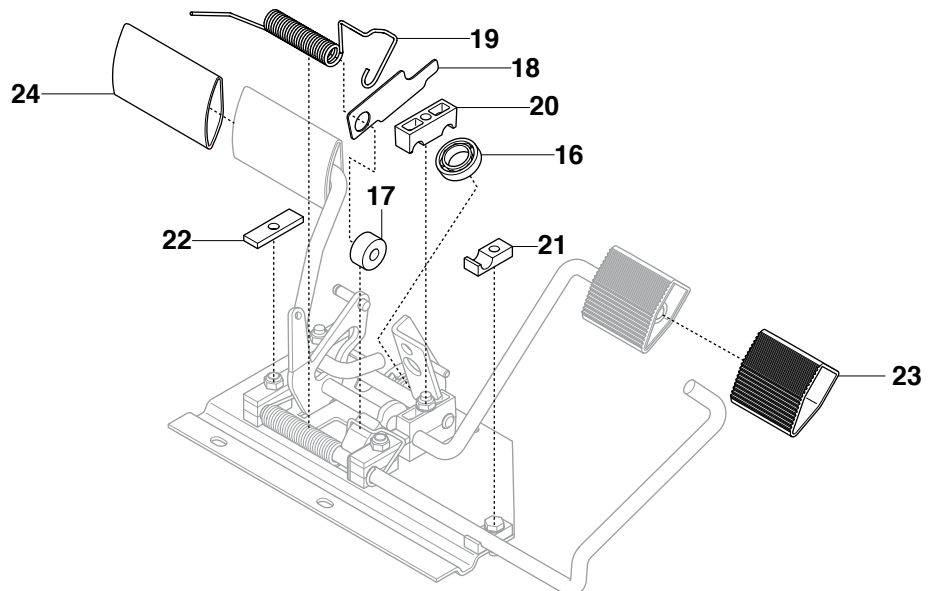
406464445 Q

**N** R15T AWD, R15Ts AWD  
CONTROLS



<b>Page N    R15T AWD, R15Ts AWD    CONTROLS</b>				
<b>Position</b>	<b>Article</b>	<b>Quantity</b>	<b>Notes</b>	<b>Kit</b>
1	544 30 16-01	1		
2	544 30 17-02	2		
3	506 88 91-01	1		
4	506 88 91-02	1		
5	725 23 64-61	2		

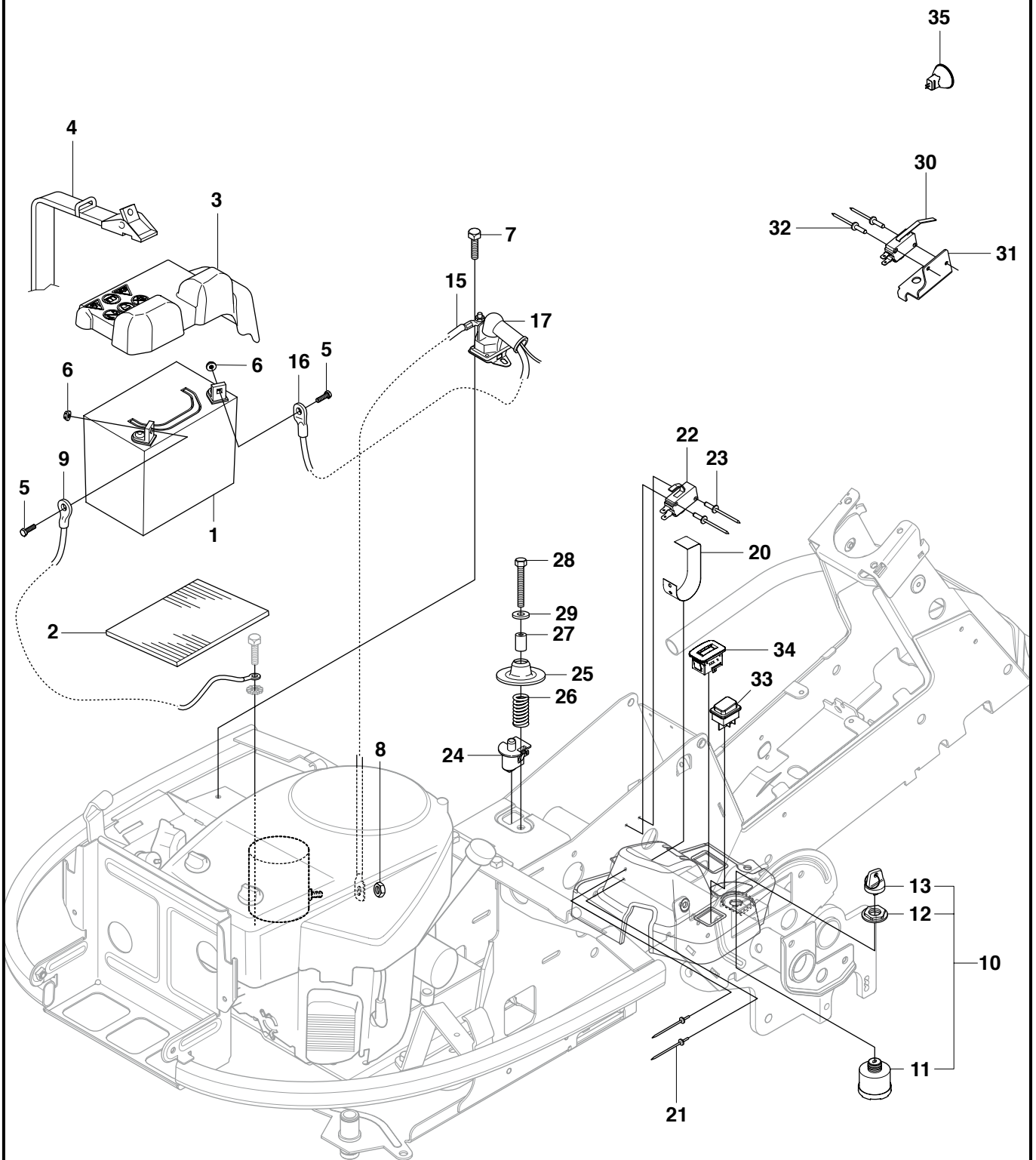
200524445 G

**P****R15T AWD, R15Ts AWD  
PEDALS****PEDALS**

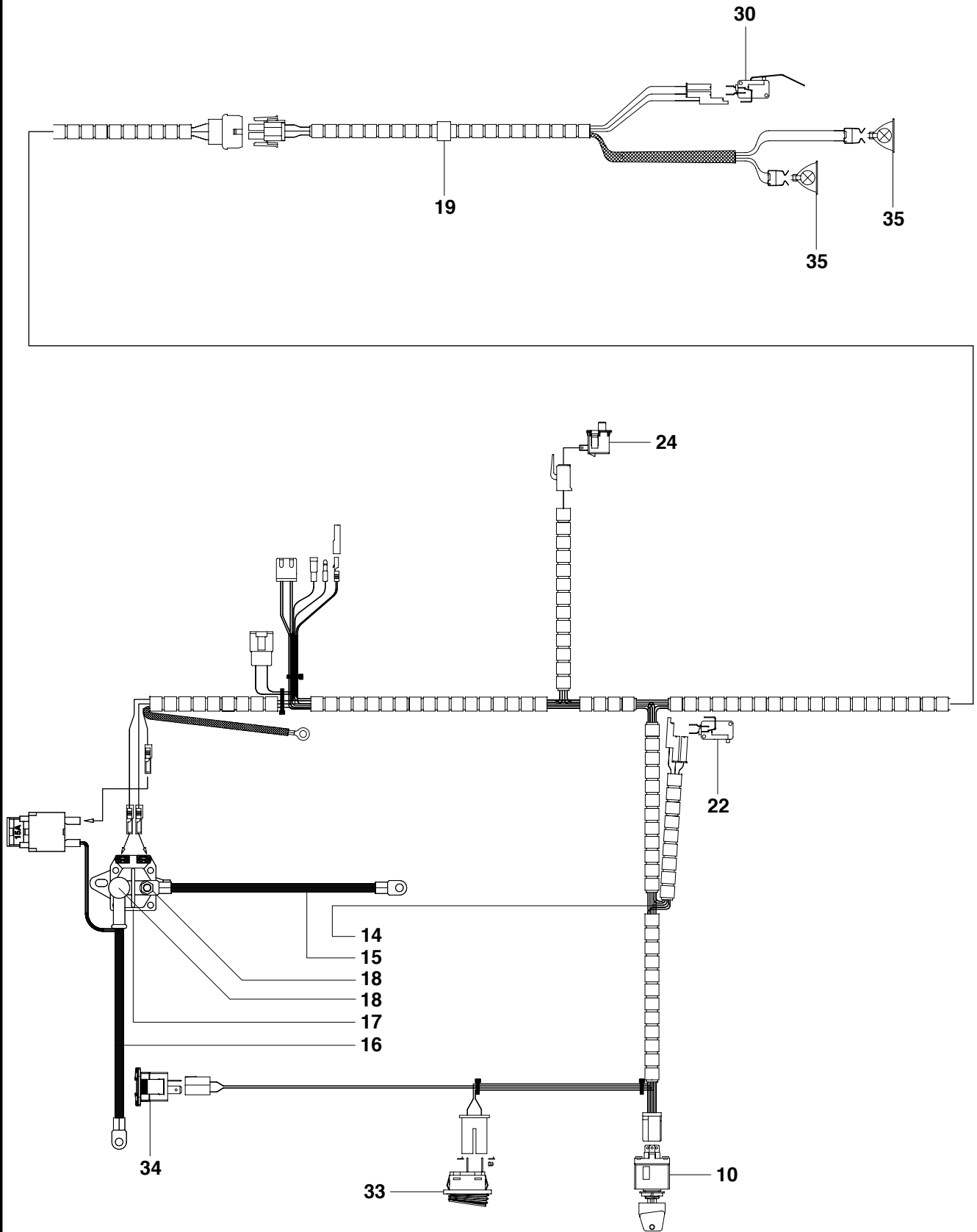
<b>Page P R15T AWD, R15Ts AWD PEDALS</b>				
<b>Position</b>	<b>Article</b>	<b>Quantity</b>	<b>Notes</b>	<b>Kit</b>
1	544 12 60-01	1		
2	535 47 37-01	1		
3	506 57 01-04	4		
4	544 40 31-01	1		
5	725 23 64-61	2		
6	506 94 63-01	1		
7	535 48 96-01	1		
8	735 31 09-20	1		
9	506 53 56-03	1		
10	574 41 12-02	1		
11	506 55 73-01	2		
12	732 21 14-01	2		
13	731 23 14-01	2		
14	522 43 08-01	1		
15	725 23 64-61	1		
16	738 21 02-04	1		1
17	535 48 02-01	1		1
18	535 48 06-01	1		1
19	535 48 07-01	1		1
20	535 48 08-01	4		1
21	535 48 09-01	1		1
22	535 48 10-01	1		1
23	535 47 88-01	1		1
24	535 47 88-02	1		1
25	506 57 64-02	1		

20715445 G

# Q1 R15T AWD, R15Ts AWD ELECTRICAL



**Q2** R15T AWD, R15Ts AWD  
ELECTRICAL

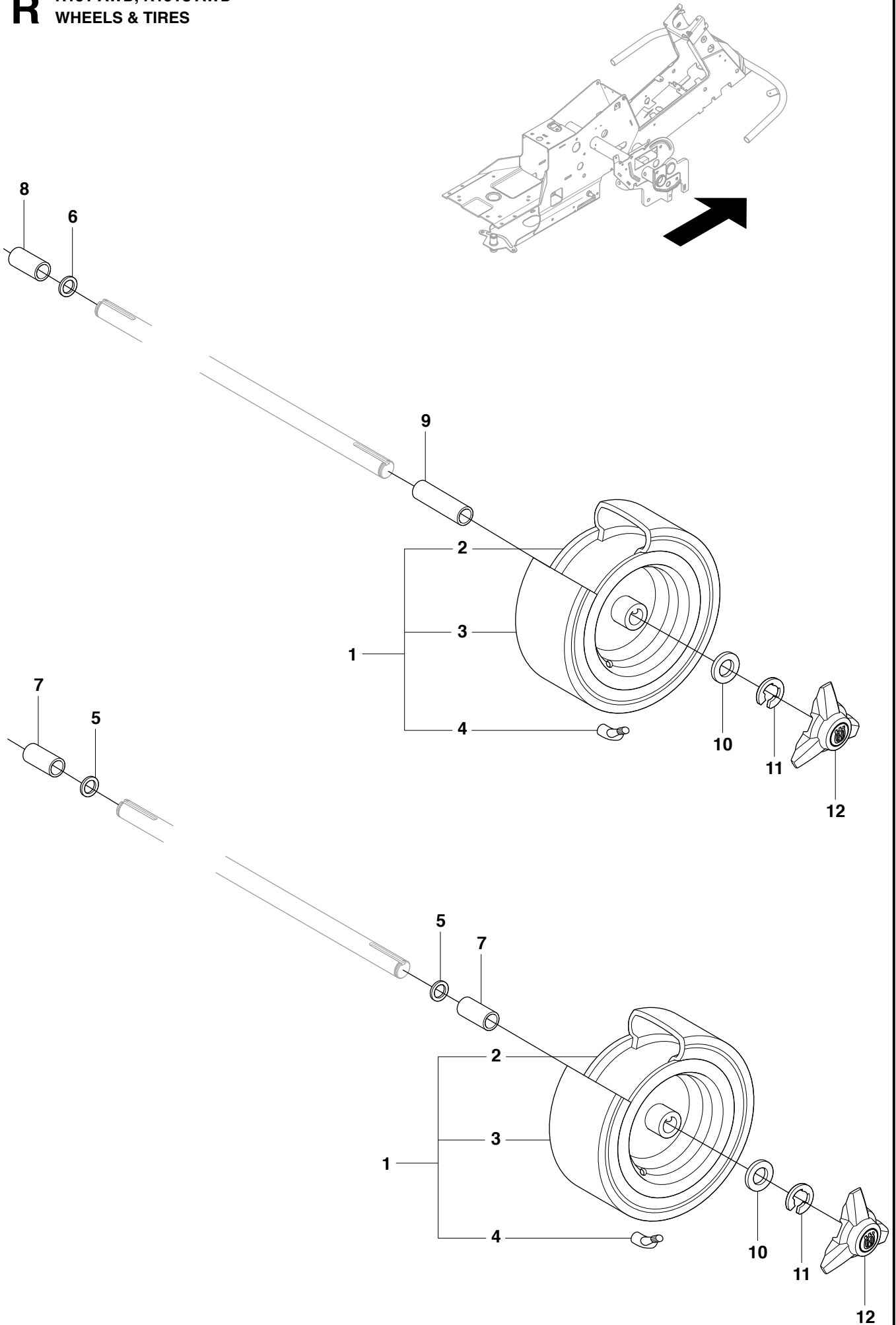


Page Q R15T AWD, R15Ts AWD ELECTRICAL				
Position	Article	Quantity	Notes	Kit
1	510 13 85-01	1		
2	535 44 11-01	1		
3	510 02 69-01	1		
4	506 83 68-02	1		
5	522 62 21-01	1		
6	522 62 43-01	1		
7	725 23 64-61	1		
8	506 89 98-01	1		
9	576 18 38-01	1		
10	544 44 21-01	1		
11	544 44 22-01	1		10
12	544 44 23-01	1		10
13	544 44 24-01	1		10
14	502 65 34-01	1		
15	544 92 86-01	1		
16	544 92 61-04	1		
17	544 43 98-01	1		
18	506 89 98-01	2	1/4" UNC	
19	504 55 88-01	1		
20	506 90 93-01	1		
21	722 78 39-02	2		
22	535 46 91-01	1		
23	544 44 07-01	2		
24	506 90 96-01	1		
25	506 90 97-01	1		
26	544 44 12-01	1		
27	506 90 99-02	1		
28	725 24 60-51	1		
29	734 11 64-01	1		
30	544 41 55-01	1		
31	544 41 57-01	1		
32	544 44 07-01	2		
33	502 65 57-01	1		
34	502 65 30-01	1		
35	502 46 66-01	2		

60352445 X



**R** R15T AWD, R15Ts AWD  
WHEELS & TIRES



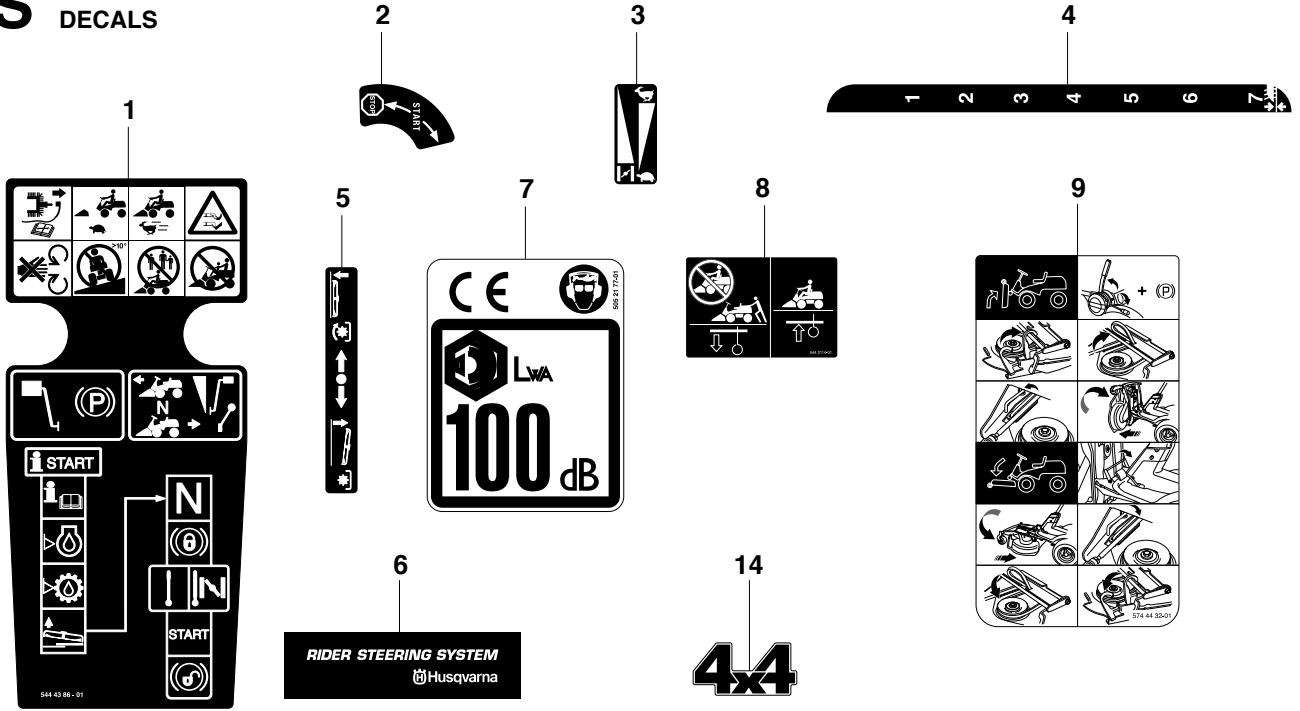
**Page R R15T AWD, R15Ts AWD WHEELS & TIRES**

01182145 M

<b>Position</b>	<b>Article</b>	<b>Quantity</b>	<b>Notes</b>	<b>Kit</b>
1	523 01 26-01	4		
2	544 11 42-01	1		1
3	535 46 00-01	1		1
4	506 57 43-01	1		1
5	506 50 48-03	2		
6	506 94 58-01	1		
7	506 59 62-03	2		
8	544 13 26-01	1		
9	544 13 26-02	1		
10	506 50 48-05	4		
11	506 89 90-01	4		
12	544 35 35-01	4		

S

R15T AWD, R15Ts AWD  
DECALS



10

**R15T AWD**  **Husqvarna®**

11

 **Husqvarna®** **R15T AWD**

12

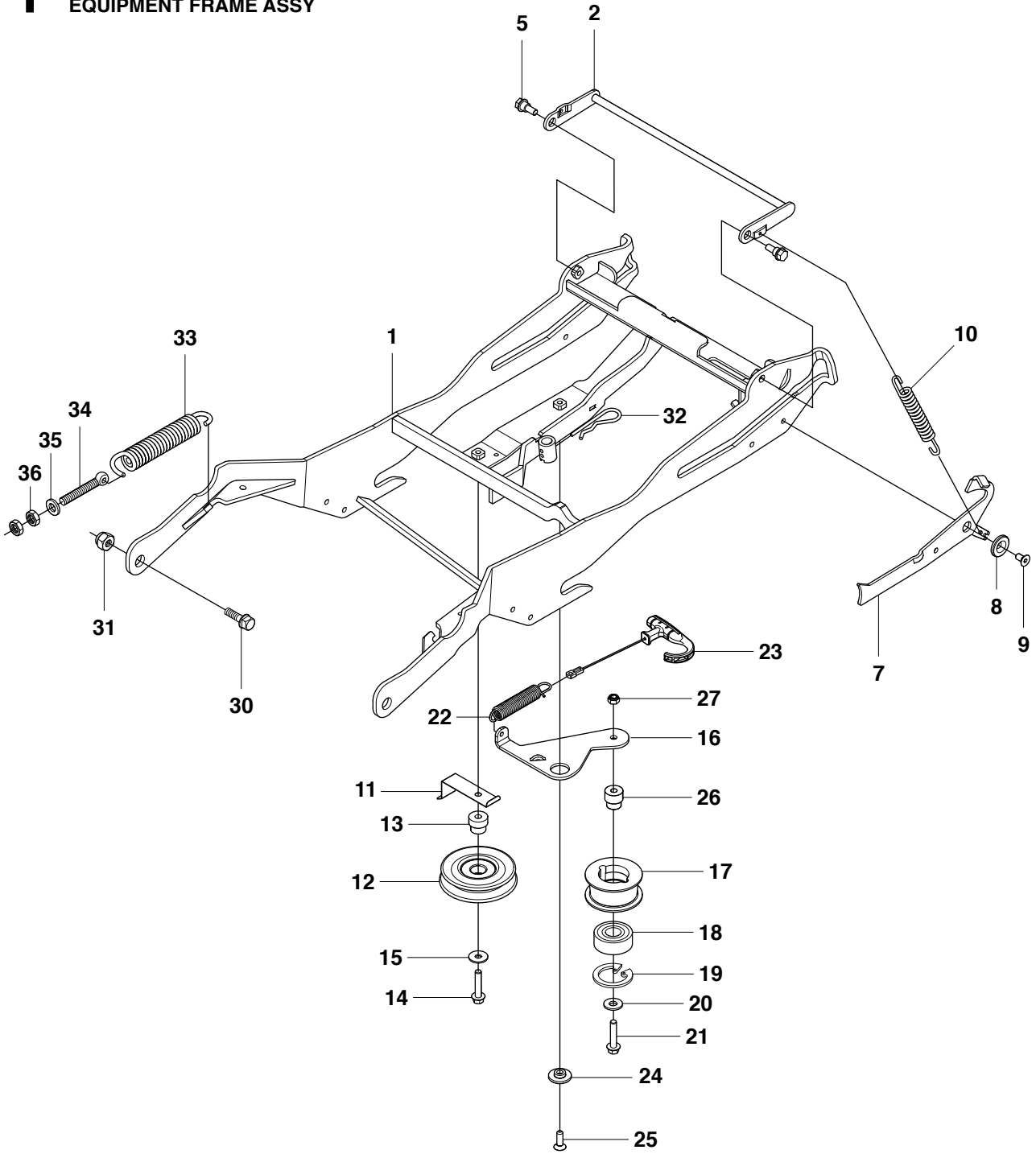
**R15Ts AWD**  **Husqvarna®**

13

 **Husqvarna®** **R15Ts AWD**

Page S R15T AWD, R15Ts AWD DECALS				
Position	Article	Quantity	Notes	Kit
1	544 43 86-01	1		
2	544 43 87-01	1		
3	544 43 89-01	1		
4	544 43 90-02	1		
5	544 43 92-01	1		
6	544 83 36-01	1		
7	505 21 77-01	1		
8	544 21 14-01	1		
9	574 44 32-01	1		
10	575 22 69-07	1	R15T AWD, LEFT	
11	575 22 69-08	1	R15T AWD, RIGHT	
12	575 22 69-09	1	R15Ts AWD, LEFT	
13	575 22 69-10	1	R15Ts AWD, RIGHT	
14	544 83 35-01	1		

501962475 D

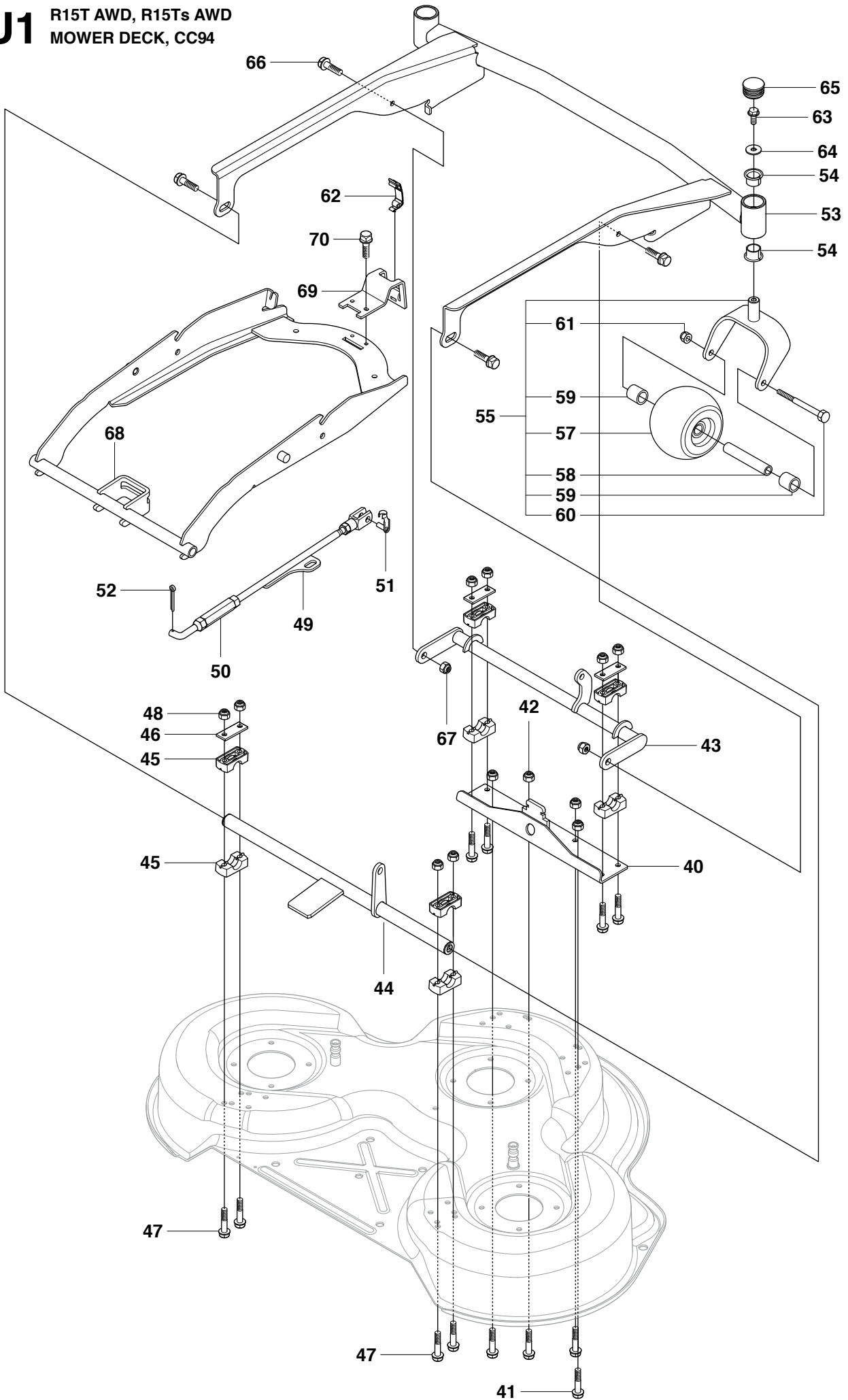
**T****R18 AWD  
EQUIPMENT FRAME ASSY**

<b>Page T R15T AWD, R15Ts AWD EQUIPMENT FRAME ASSY</b>				
<b>Position</b>	<b>Article</b>	<b>Quantity</b>	<b>Notes</b>	<b>Kit</b>
1	523 06 42-01	1		
2	525 47 59-01	1		
5	506 59 74-01	2		
7	523 11 66-02	1		
8	506 91 87-01	1		
9	725 64 48-01	1		
10	506 53 56-03	1		
11	525 48 67-01	1		
12	506 97 48-01	1		
13	506 82 68-02	1		
14	725 24 59-51	1		
15	734 11 64-41	1		
16	523 08 37-01	1		
17	506 92 89-01	1		
18	738 21 04-04	1		
19	735 31 38-10	1		
20	734 11 64-41	1		
21	725 24 59-51	1		
22	504 62 24-01	1		
23	504 62 21-02	1		
24	505 45 17-01	1		
25	725 64 53-01	1		
26	535 48 48-01	1		
27	732 21 18-01	1		
30	506 89 58-01	2		
31	732 25 22-01	2		
32	506 96 66-01	1		
33	506 83 76-01	2		
34	506 83 77-01	2		
35	734 11 72-01	2		
36	731 23 20-51	4		

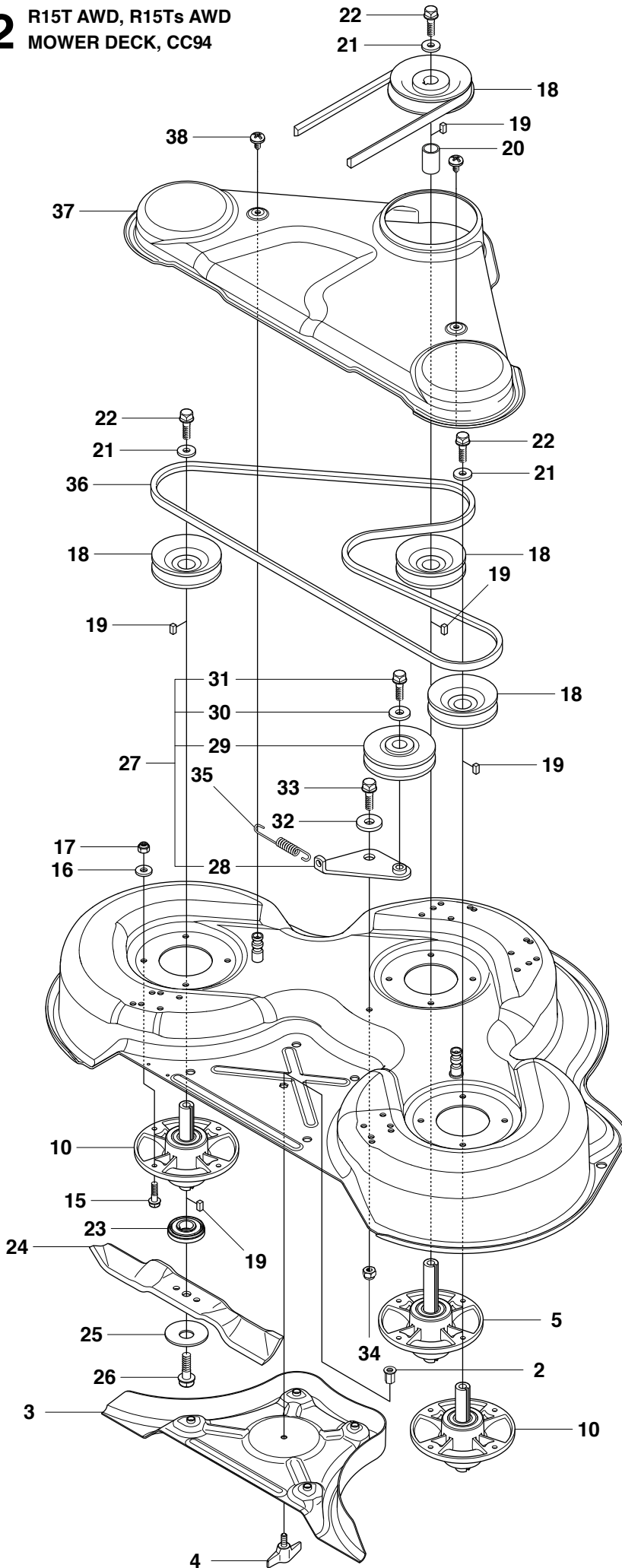
101460325 C

# U1

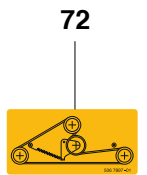
R15T AWD, R15Ts AWD  
MOWER DECK, CC94



**U2** R15T AWD, R15Ts AWD  
MOWER DECK, CC94



73  
**CombiClip® 94**





**Page U R15T AWD, R15Ts AWD MOWER DECK, CC94**

104119475 C

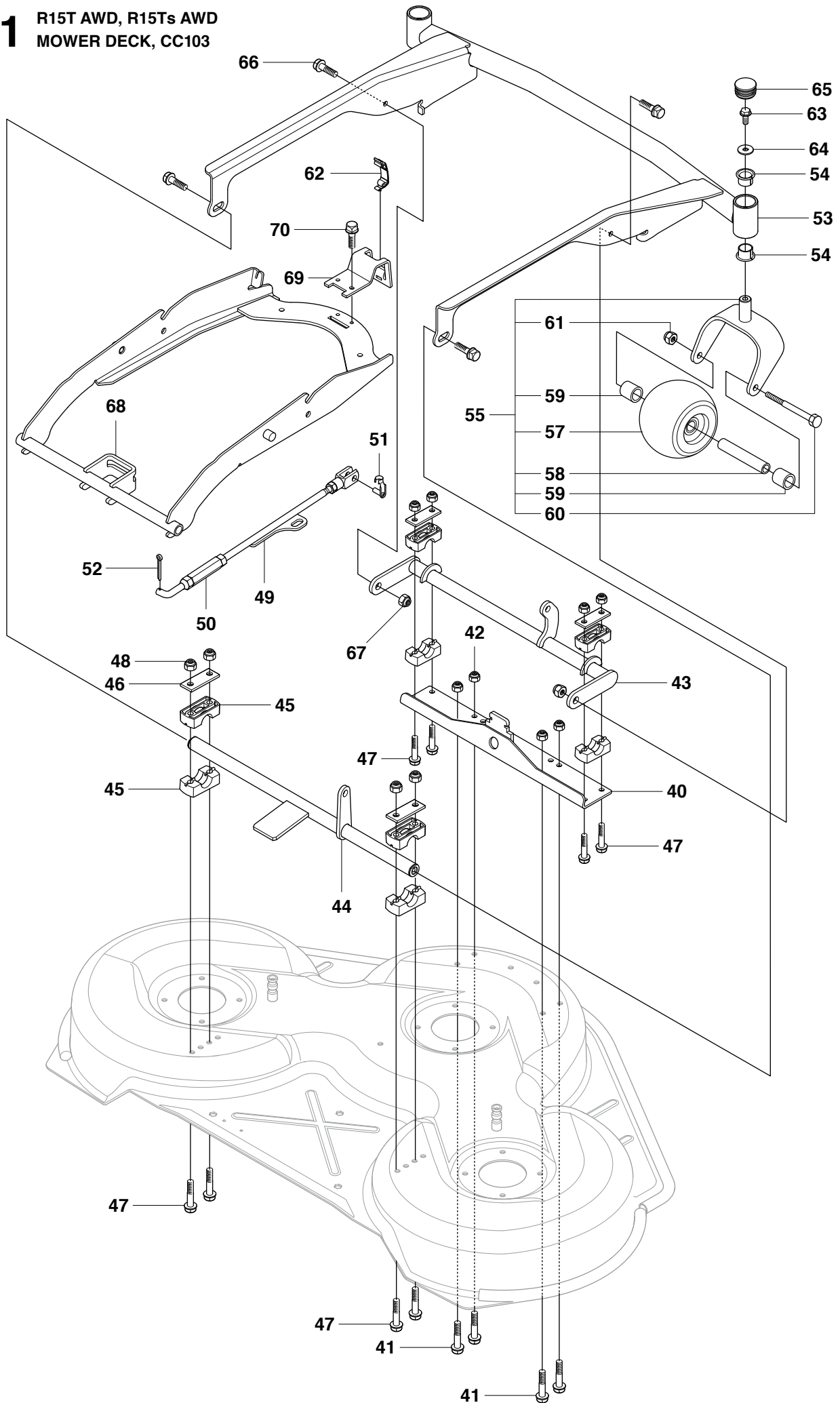
Position	Article	Quantity	Notes	Kit
1	544 06 57-01	1		
2	506 91 62-01	1		
3	544 06 58-01	1		
4	544 06 61-01	1		
5	544 06 59-02	1		
6	544 06 78-01	1		5
7	544 06 79-01	1		5
8	544 06 80-01	1		5
9	738 23 04-34	2		5
10	544 06 59-01	2		
11	544 06 78-01	1		10
12	535 42 87-02	1		10
13	535 42 88-01	1		10
14	738 22 05-19	2		10
15	535 42 38-01	12		
16	734 11 64-01	12		
17	732 21 18-01	12		
18	506 92 21-01	3		
19	506 53 35-01	7		
20	544 06 80-02	1		
21	734 11 74-41	3		
22	544 11 41-01	3		
23	535 50 42-02	3		
24	505 54 45-01	3		
25	506 79 23-01	3		
26	544 11 41-01	3		
27	506 54 07-01	1		
28	506 51 95-01	1		27
29	506 53 27-01	1		27
30	734 11 64-41	1		27
31	506 55 83-02	1		27
32	506 91 87-02	1		
33	725 24 51-71	1		
34	732 21 18-01	1		
35	506 53 31-01	1		
36	505 20 86-01	1		
37	544 06 63-01	1		
38	544 40 05-01	2		
40	523 09 53-01	1		
41	725 24 51-71	4		
42	732 21 18-01	4		
43	502 64 18-02	1		
44	523 09 45-01	1		
45	506 86 96-01	8		
46	506 81 38-01	4		
47	725 24 61-51	8		
48	732 21 18-01	8		
49	523 11 42-01	1		
50	502 64 23-01	1		
51	506 83 98-01	1		
52	721 61 83-01	1		
53	523 08 65-01	1		
54	574 56 19-01	4		

Page U R15T AWD, R15Ts AWD MOWER DECK, CC94				
Position	Article	Quantity	Notes	Kit
55	574 21 01-01	2		
57	506 96 30-01	1		55
58	506 81 08-02	1		55
59	506 87 41-02	2		55
60	725 25 19-51	1		55
61	732 21 20-51	1		55
62	503 89 47-03	2		
63	506 57 01-04	2		
64	734 11 64-41	2		
65	574 03 48-01	2		
66	725 23 68-61	4		
67	732 21 18-01	2		
68	523 08 75-01	1		
69	523 11 46-01	1		
70	725 23 68-61	2		
72	506 78 97-01	1		
73	574 21 03-01	1		
74	506 92 90-01	1		
76	574 51 00-01	1		

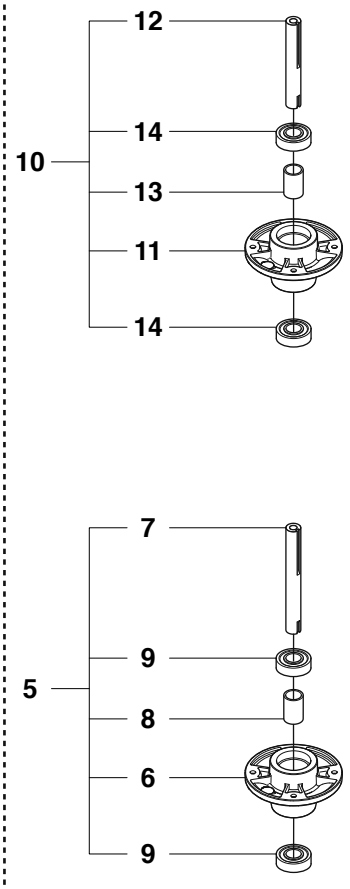
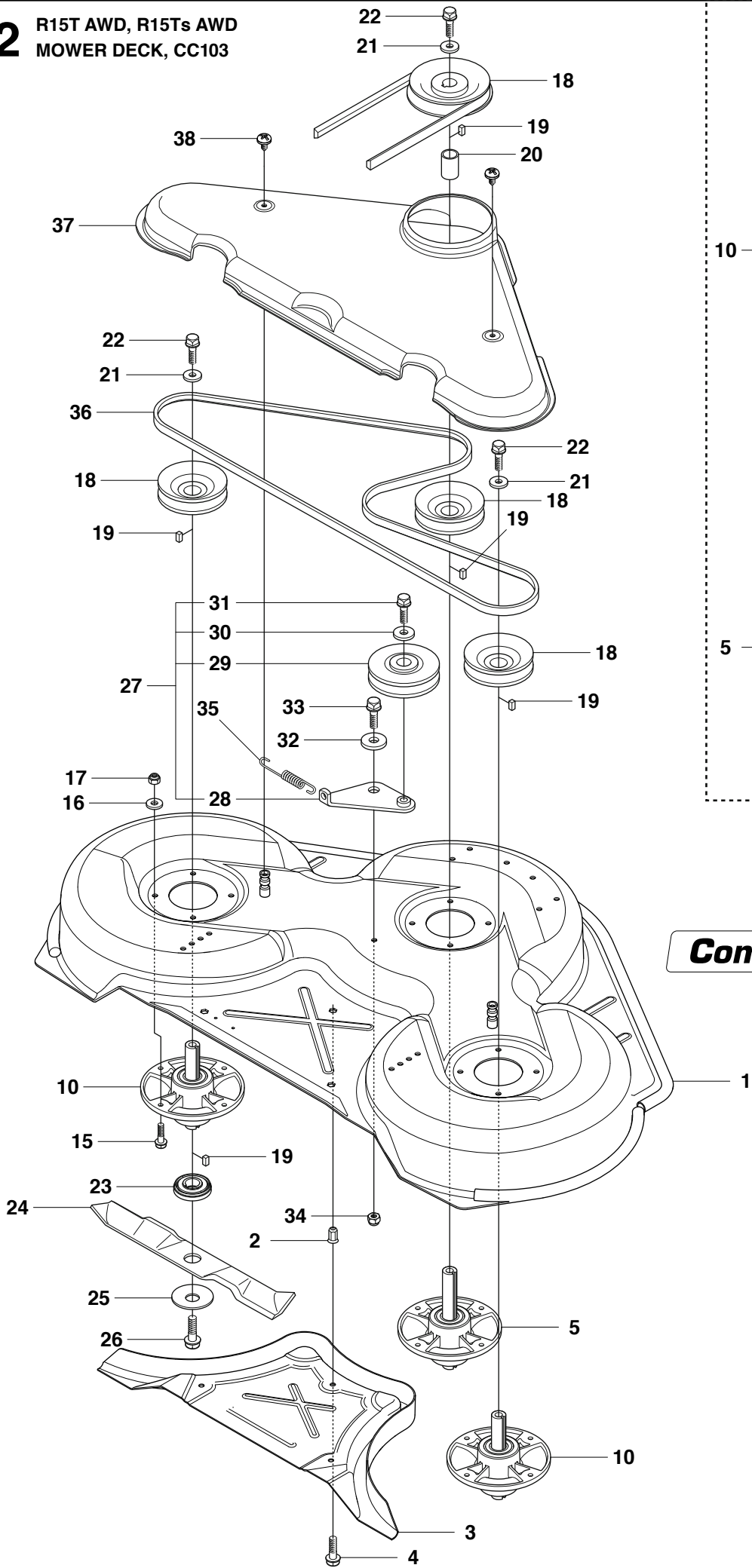
104119475 C

# V1

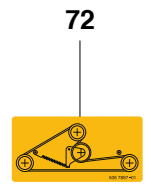
R15T AWD, R15Ts AWD  
MOWER DECK, CC103



**V2** R15T AWD, R15Ts AWD  
MOWER DECK, CC103



73  
**CombiClip® 103**



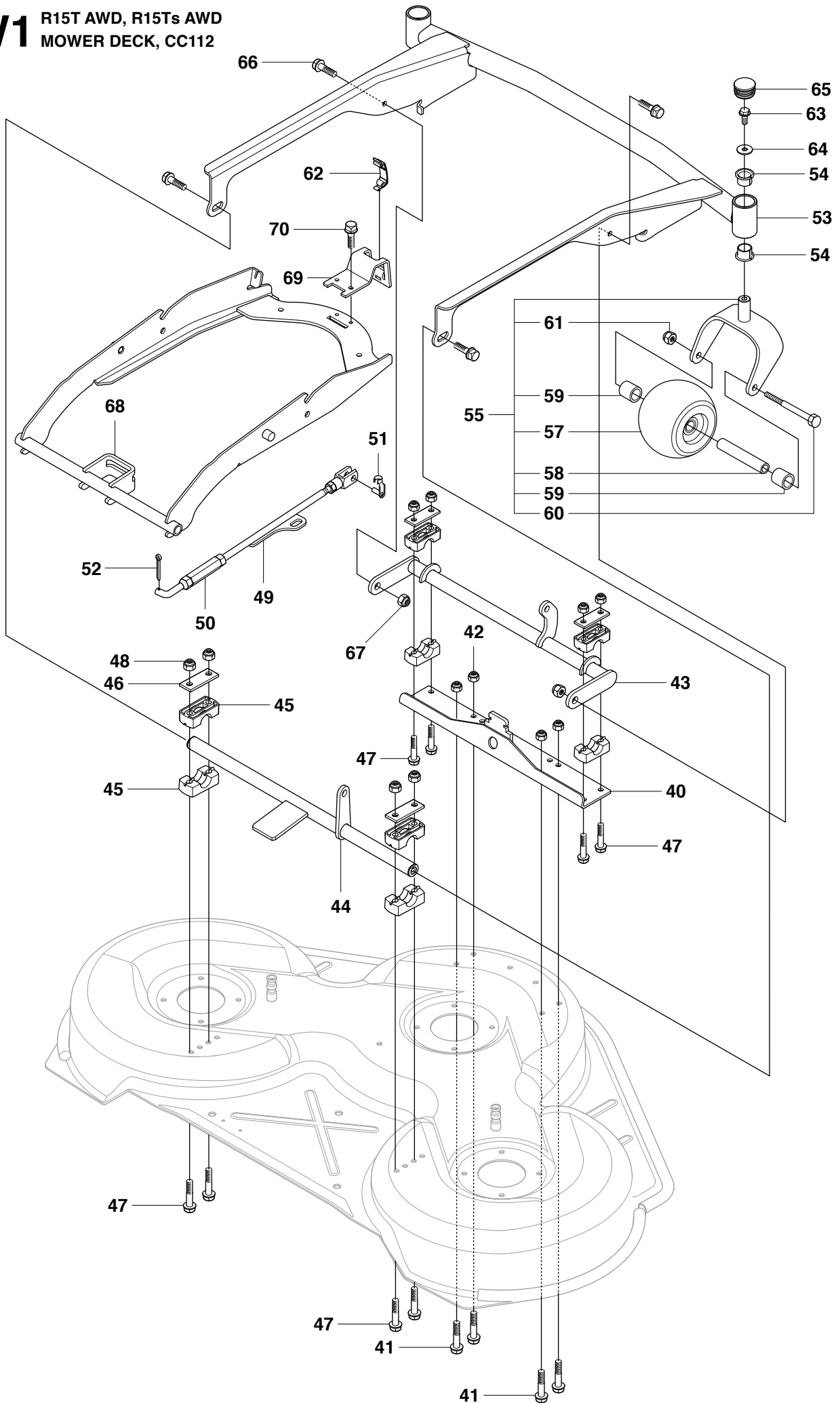
**Page V R15T AWD, R15Ts AWD MOWER DECK, CC103**

60271445 L

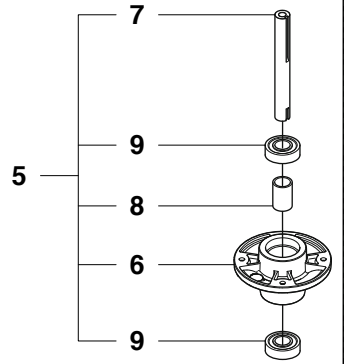
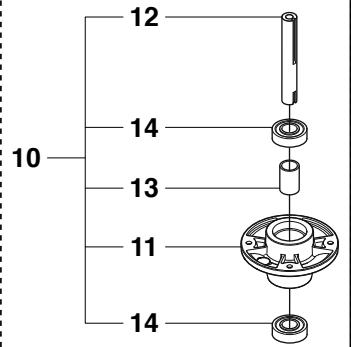
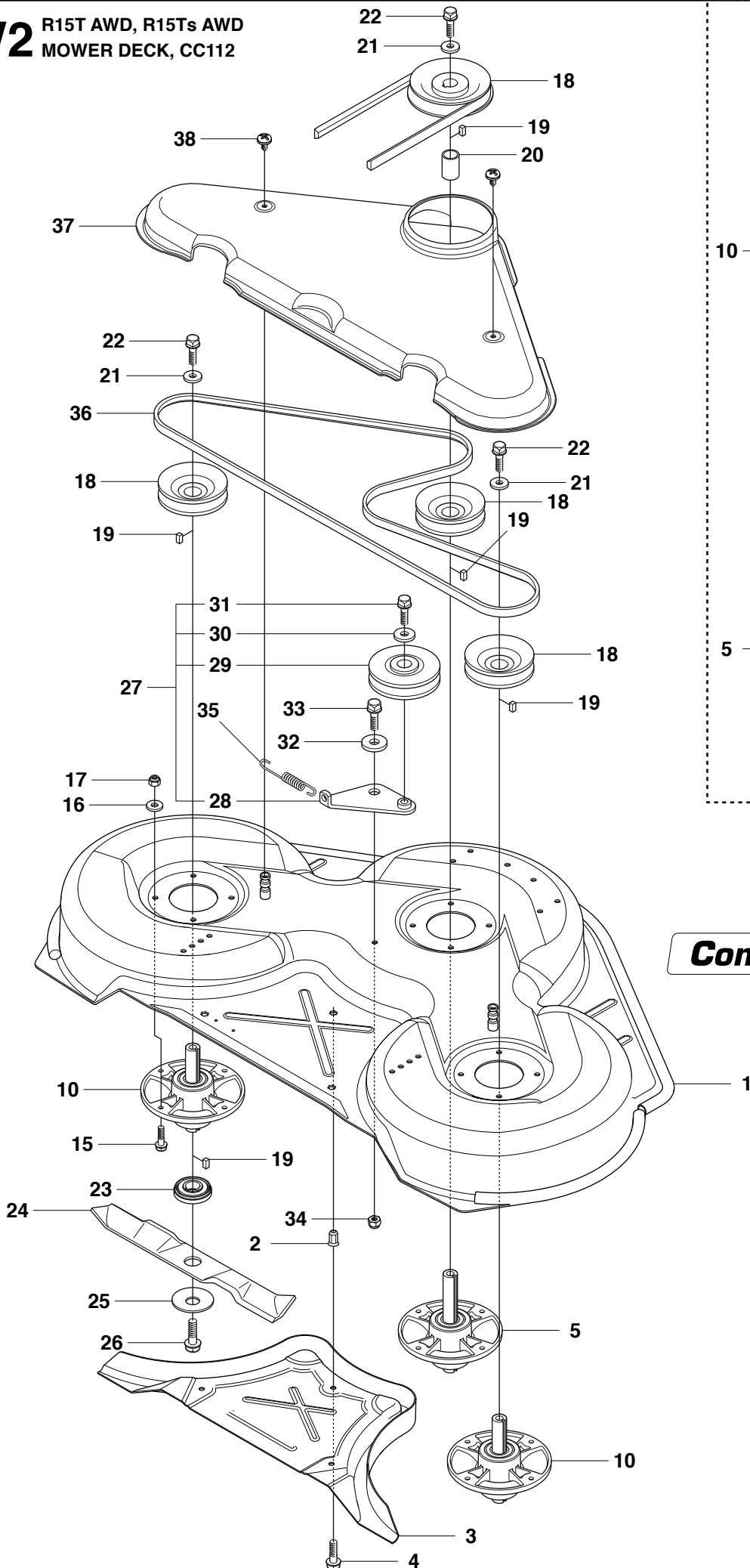
Position	Article	Quantity	Notes	Kit
1	574 21 08-01	1		
2	506 91 62-01	1		
3	544 44 92-01	1		
4	506 57 01-04	1		
5	544 06 59-02	1		
6	544 06 78-01	1		5
7	544 06 79-01	1		5
8	544 06 80-01	1		5
9	738 23 04-34	2		5
10	544 06 59-01	2		
11	544 06 78-01	1		10
12	535 42 87-02	1		10
13	535 42 88-01	1		10
14	738 23 04-34	2		10
15	535 42 38-01	12		
16	734 11 64-01	12		
17	732 21 18-01	12		
18	506 92 21-01	3		
19	506 53 35-01	7		
20	544 06 80-02	1		
21	734 11 74-41	3		
22	544 11 41-01	3		
23	535 50 42-02	3		
24	504 18 82-01	3		
25	506 79 23-01	3		
26	544 11 41-01	3		
27	506 54 07-01	1		
28	506 51 95-01	1		27
29	506 53 27-01	1		27
30	734 11 64-41	1		27
31	506 55 83-02	1		27
32	506 91 87-02	1		
33	725 24 51-71	1		
34	732 21 18-01	1		
35	506 53 31-01	1		
36	506 76 85-01	1		
37	544 09 61-01	1		
38	544 40 05-01	2		
40	523 09 53-01	1		
41	725 24 51-71	4		
42	732 21 18-01	4		
43	502 64 18-05	1		
44	523 09 45-03	1		
45	506 86 96-01	8		
46	506 81 38-01	4		
47	725 24 61-51	8		
48	732 21 18-01	8		
49	523 11 42-01	1		
50	502 64 23-01	1		
51	506 83 98-01	1		
52	721 61 83-01	1		
53	523 08 65-03	1		
54	574 56 19-01	4		

<b>Position</b>	<b>Article</b>	<b>Quantity</b>	<b>Notes</b>	<b>Kit</b>
55	574 21 01-01	2		
57	506 96 30-01	1		55
58	506 81 08-02	1		55
59	506 87 41-02	2		55
60	725 25 19-51	1		55
61	732 21 20-51	1		55
62	503 89 47-03	1		
63	506 57 01-04	2		
64	734 11 64-41	2		
65	574 03 48-01	2		
66	725 23 68-61	4		
67	732 21 18-01	2		
68	523 08 75-01	1		
69	523 11 46-01	1		
70	725 23 68-61	2		
72	506 78 97-01	1		
73	574 21 03-02	1		
74	506 92 90-01	1		
76	574 51 00-01	1		

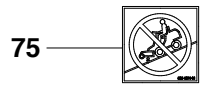
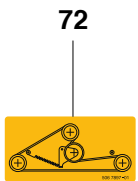
**W1** R15T AWD, R15Ts AWD  
MOWER DECK, CC112



**W2** R15T AWD, R15Ts AWD  
MOWER DECK, CC112



73  
**CombiClip® 112**





**Page W R15T AWD, R15Ts AWD MOWER DECK, CC112**

60721145.J

Position	Article	Quantity	Notes	Kit
1	574 20 95-01	1		
2	506 91 62-01	1		
3	544 44 93-01	1		
4	506 57 01-04	1		
5	544 06 59-02	1		
6	544 06 78-01	1		5
7	544 06 79-01	1		5
8	544 06 80-01	1		5
9	738 23 04-34	2		5
10	544 06 59-01	2		
11	544 06 78-01	1		10
12	535 42 87-02	1		10
13	535 42 88-01	1		10
14	738 23 04-34	2		10
15	535 42 38-01	12		
16	734 11 64-01	12		
17	732 21 18-01	12		
18	506 92 21-01	3		
19	506 53 35-01	7		
20	544 06 80-02	1		
21	734 11 74-41	3		
22	544 11 41-01	3		
23	535 50 42-02	3		
24	544 10 28-01	3		
25	506 79 23-01	3		
26	544 11 41-01	3		
27	506 54 07-01	1		
28	506 51 95-01	1		27
29	506 53 27-01	1		27
30	734 11 64-41	1		27
31	506 55 83-02	1		27
32	506 91 87-02	1		
33	725 24 51-71	1		
34	732 21 18-01	1		
35	506 53 31-01	1		
36	535 41 19-01	1		
37	544 09 62-01	1		
38	544 40 05-01	2		
40	523 09 53-01	1		
41	725 24 51-71	4		
42	732 21 18-01	4		
43	502 64 18-02	1		
44	523 09 45-03	1		
45	506 86 96-01	8		
46	506 81 38-01	4		
47	725 24 61-51	8		
48	732 21 18-01	8		
49	523 11 42-01	1		
50	502 64 23-01	1		
51	506 83 98-01	1		
52	721 61 83-01	1		
53	523 08 65-03	1		
54	574 56 19-01	4		

Page W R15T AWD, R15Ts AWD MOWER DECK, CC112				
Position	Article	Quantity	Notes	Kit
55	574 21 01-01	2		
57	506 96 30-01	1		55
58	506 81 08-02	1		55
59	506 87 41-02	2		55
60	725 25 19-51	1		55
61	732 21 20-51	1		55
62	503 89 47-03	1		
63	506 57 01-04	2		
64	734 11 64-41	2		
65	574 03 48-01	2		
66	725 23 68-61	4		
67	732 21 18-01	2		
68	523 08 75-01	1		
69	523 11 46-01	1		
70	725 23 68-61	2		
72	506 78 97-01	1		
73	574 21 03-03	1		
74	506 92 90-01	1		
76	574 51 00-01	1		

60721145.J