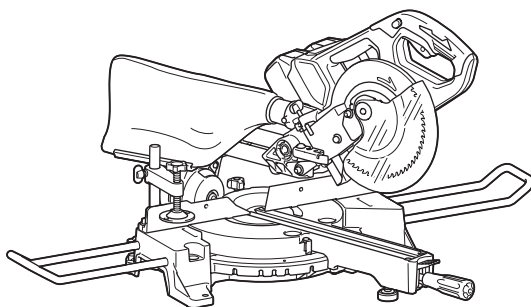
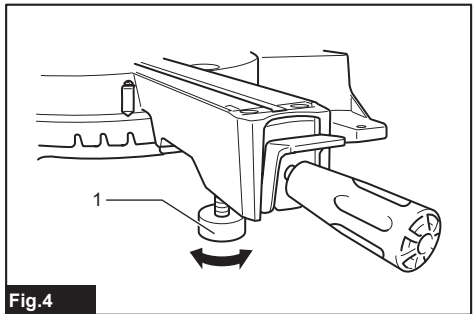
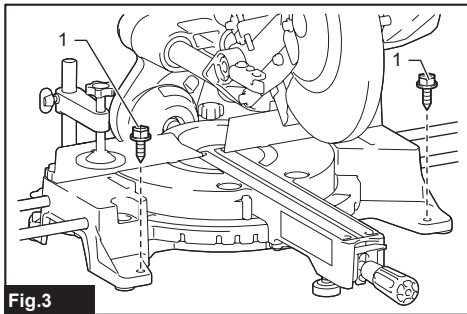
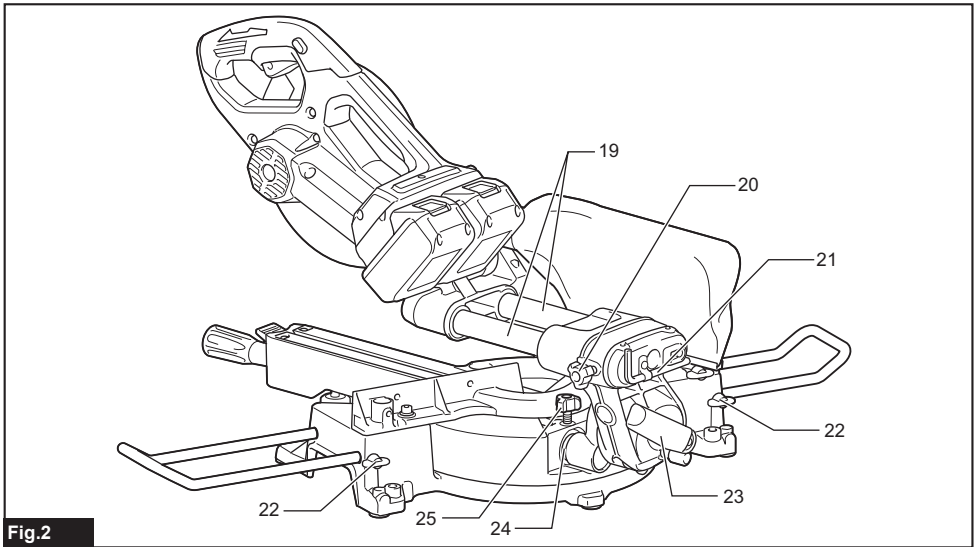
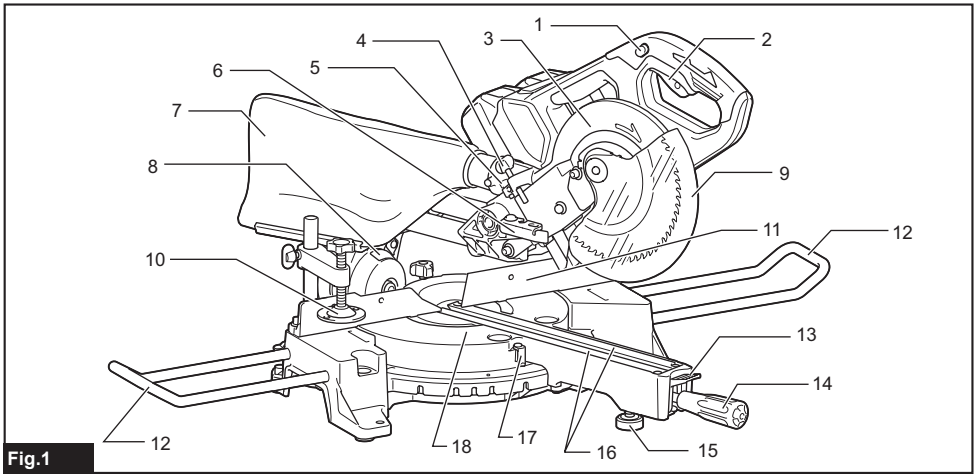




EN	Cordless Slide Compound Miter Saw	INSTRUCTION MANUAL	11
SV	Batteridrivnen skjutbar kap- och geringskombinationssåg	BRUKSANVISNING	24
NO	Batteridrevet skyvbar gjæringssag for kombinasjonssaging	BRUKSANVISNING	38
FI	Akkukäyttöinen liukujiirisaha	KÄYTTÖOHJE	52
LV	Bezvadu slīdrāmja kombinētais leņķzāģis	LIETOŠANAS INSTRUKCIJA	66
LT	Akumulatorinės kombinuotosios nuleidžiamos skersavimo ir kampų suleidimo staklės	NAUDOJIMO INSTRUKCIJA	80
ET	Juhtmeta liuglõike eerungisaag	KASUTUSJUHEND	94
RU	Акумуляторная торцовочная пила консольного типа	РУКОВОДСТВО ПО ЭКСПЛУАТАЦИИ	108

DLS714





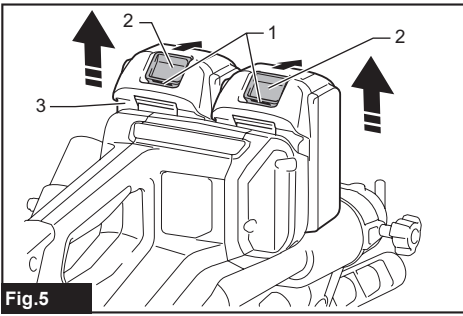


Fig.5

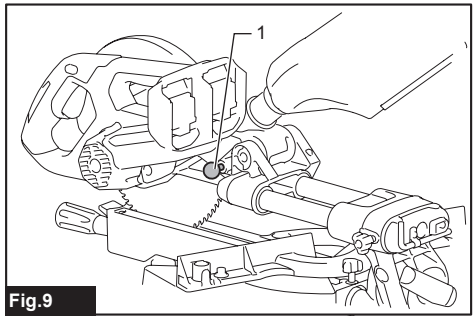


Fig.9

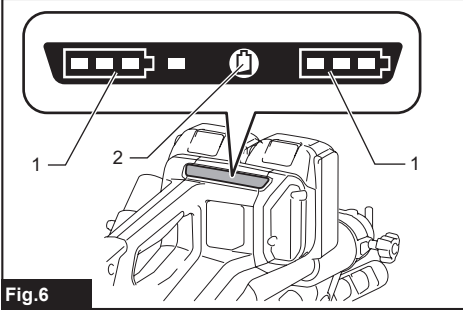


Fig.6

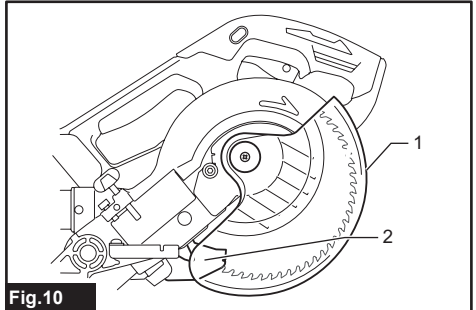


Fig.10

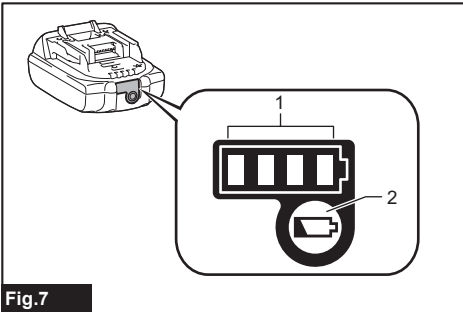


Fig.7

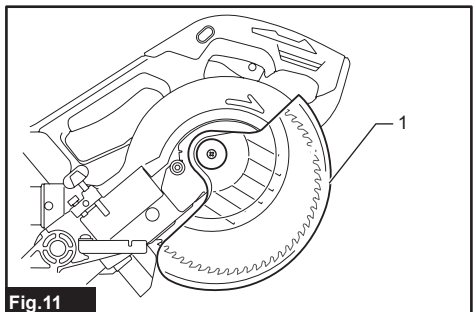


Fig.11

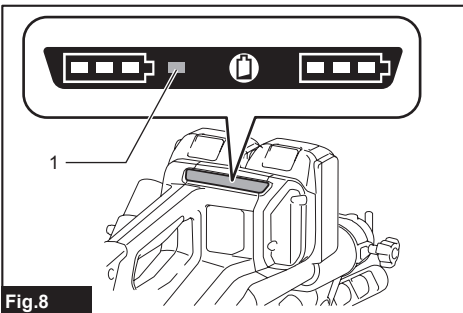


Fig.8

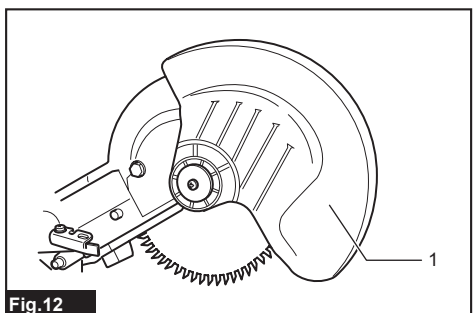


Fig.12

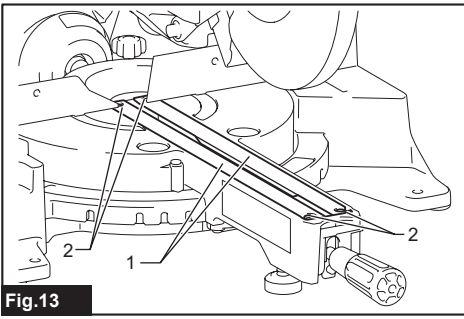


Fig.13

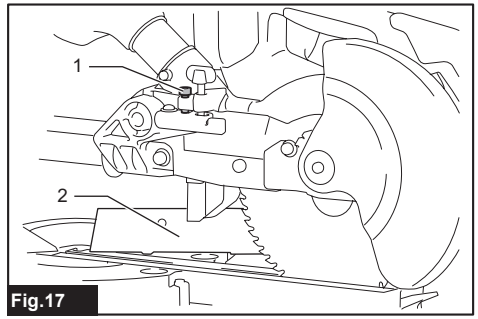


Fig.17

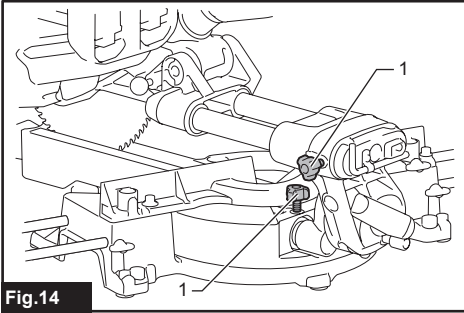


Fig.14

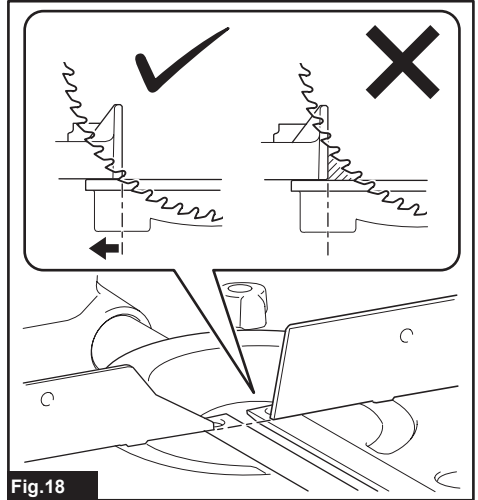


Fig.18

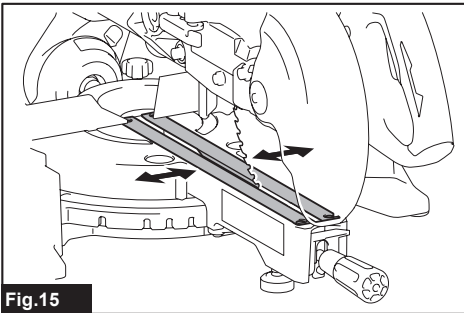


Fig.15

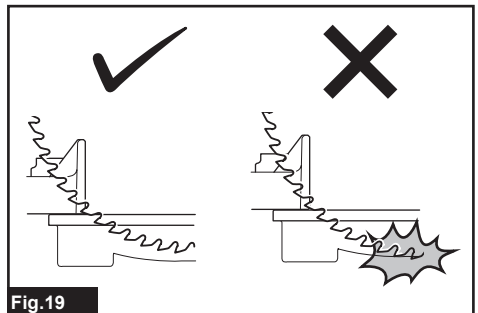


Fig.19

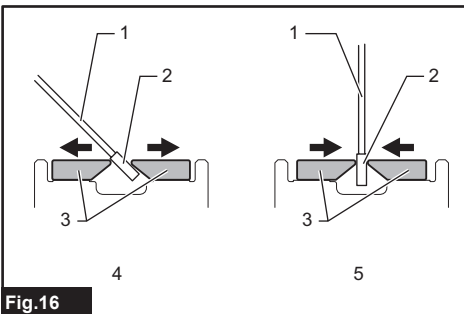


Fig.16

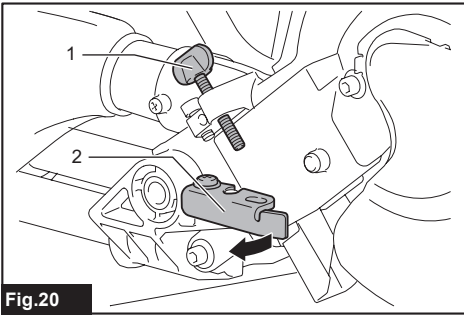


Fig.20

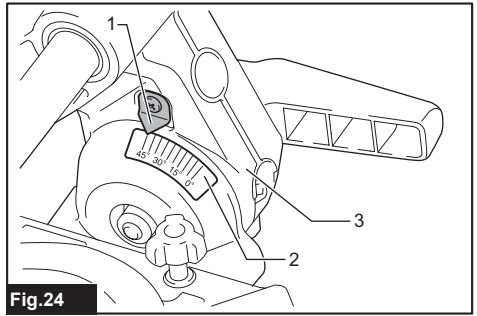


Fig.24

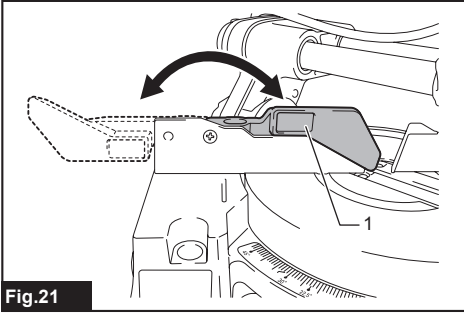


Fig.21

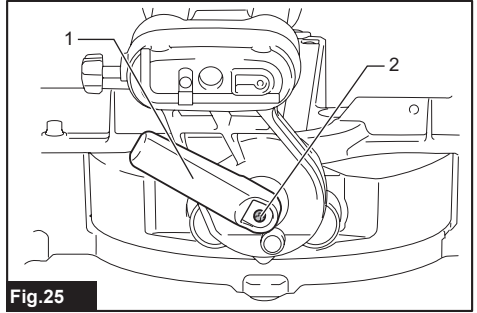


Fig.25

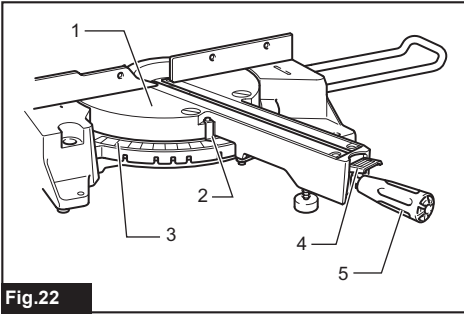


Fig.22

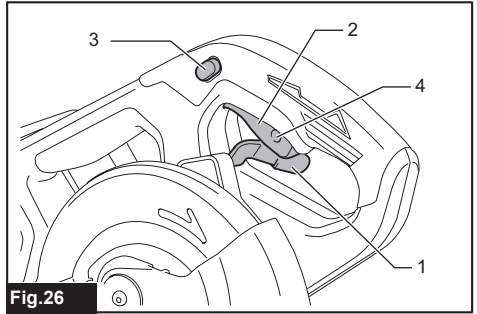


Fig.26

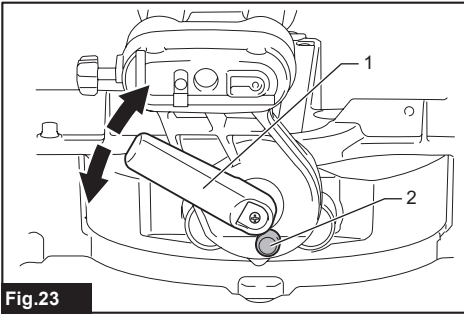


Fig.23

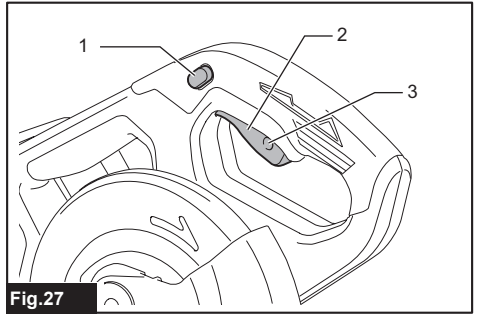


Fig.27

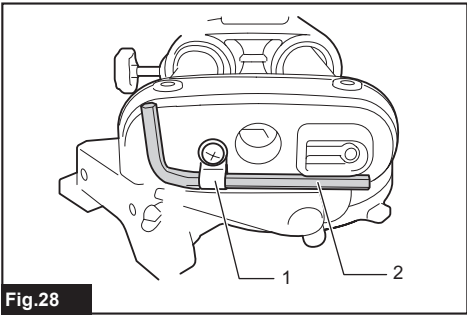


Fig.28

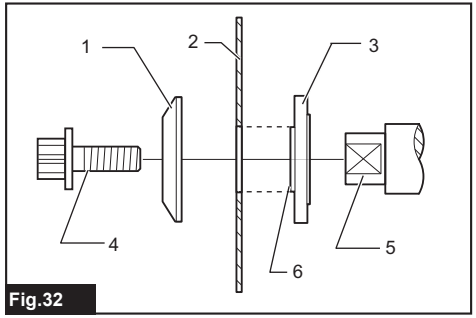


Fig.32

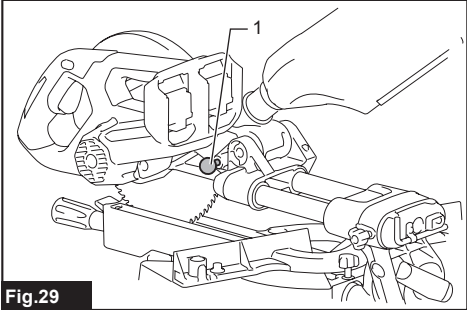


Fig.29

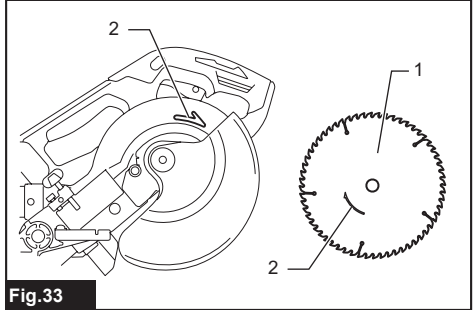


Fig.33

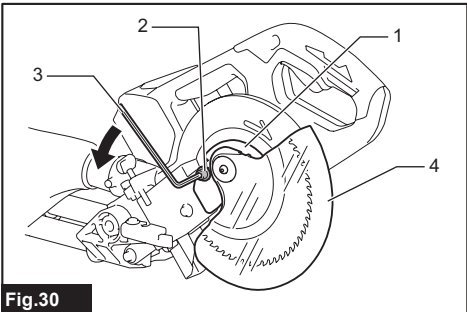


Fig.30

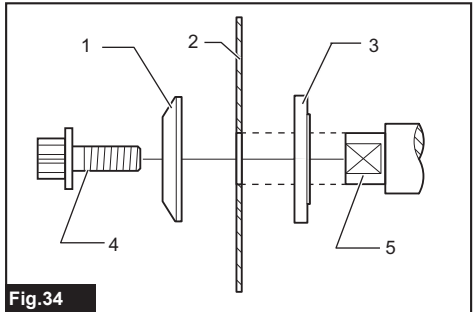


Fig.34

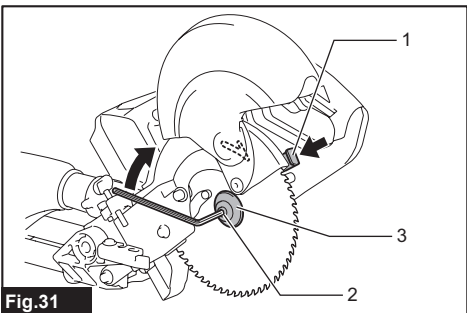


Fig.31

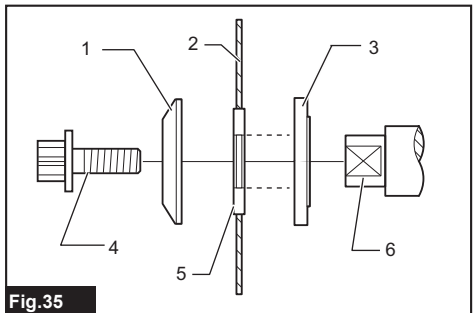


Fig.35

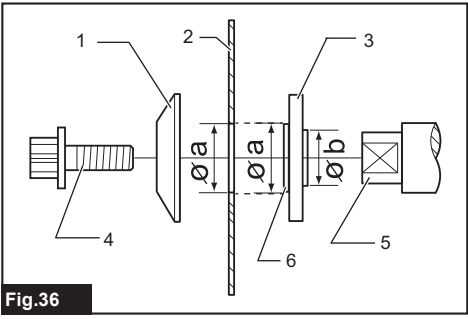


Fig.36

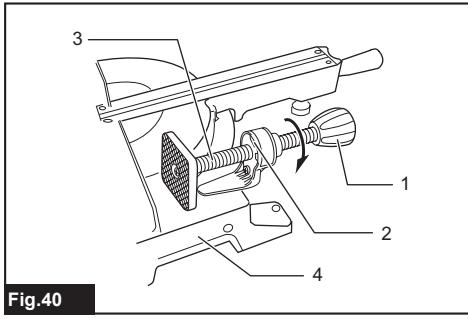


Fig.40

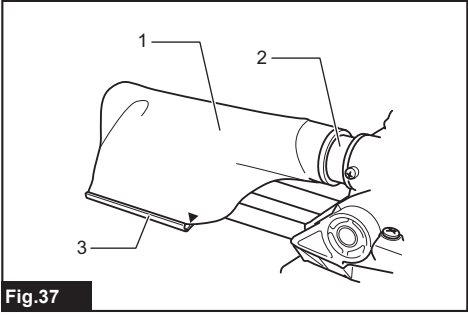


Fig.37

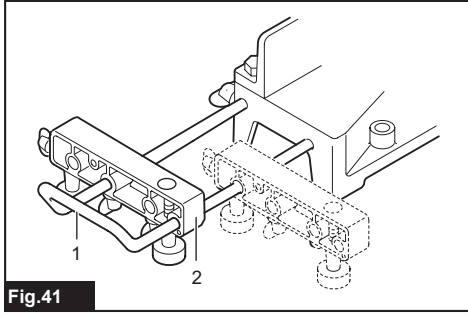


Fig.41

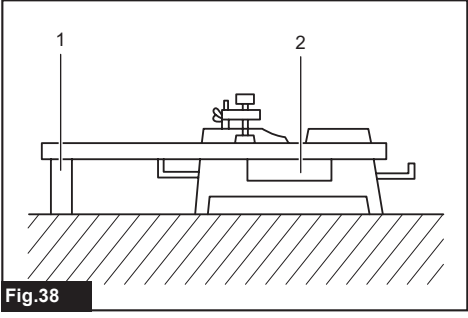


Fig.38

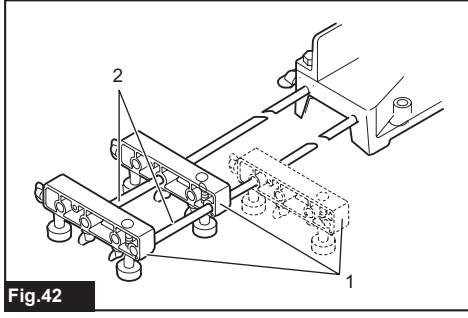


Fig.42

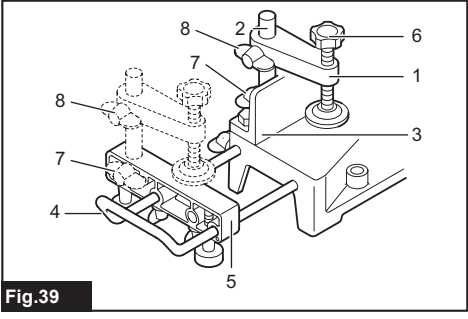


Fig.39

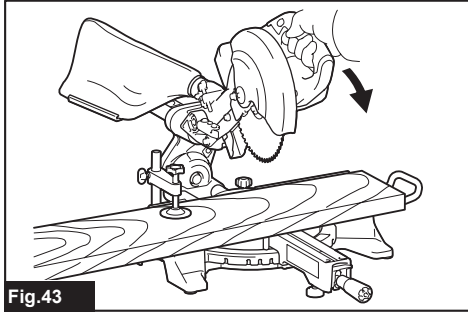


Fig.43

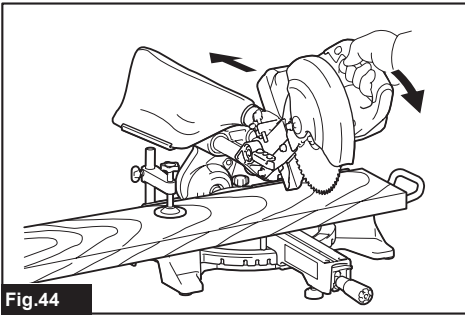


Fig.44

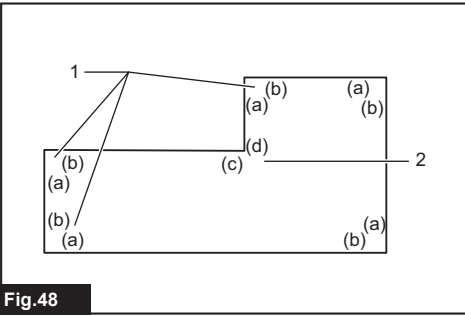


Fig.48

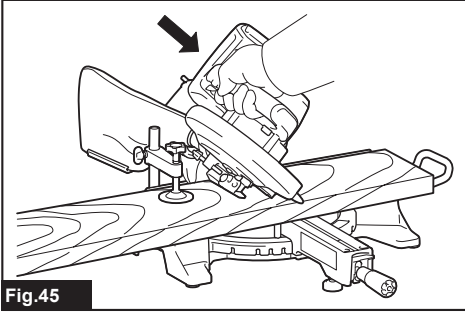


Fig.45

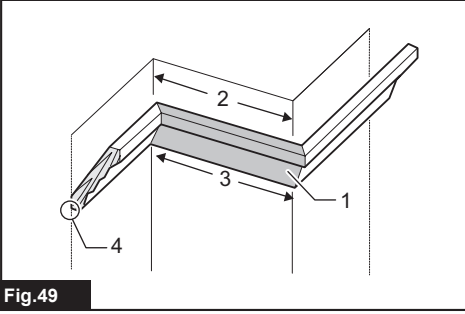


Fig.49

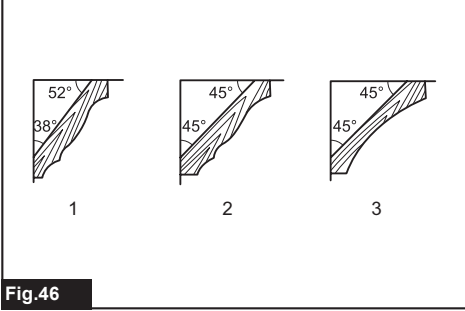


Fig.46

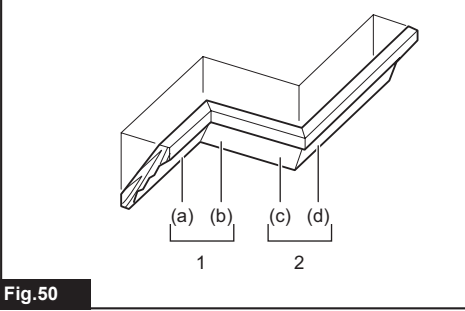


Fig.50

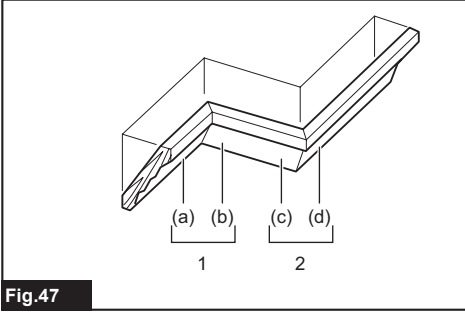


Fig.47

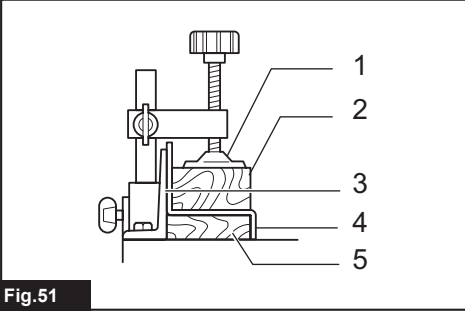


Fig.51

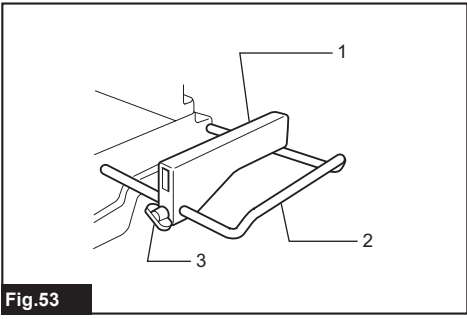


Fig.53

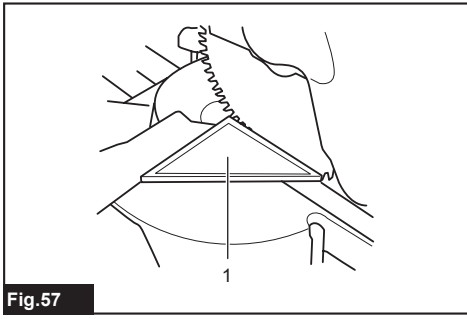


Fig.57

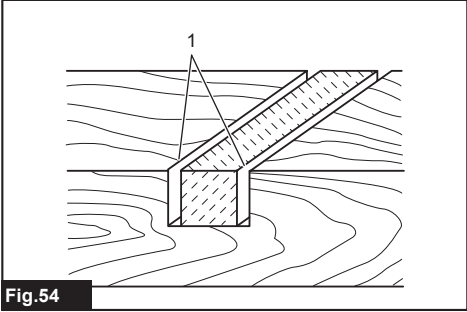


Fig.54

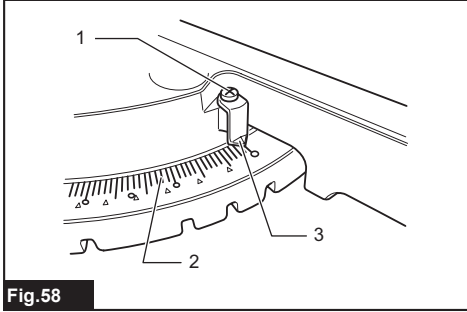


Fig.58

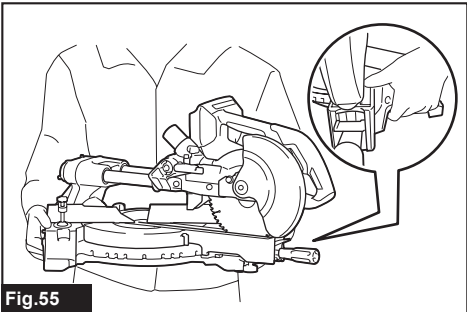


Fig.55

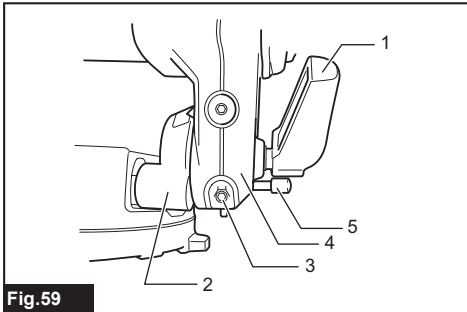


Fig.59

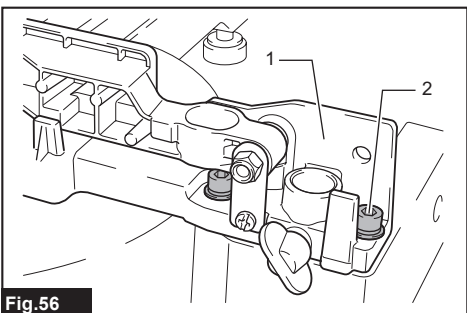


Fig.56

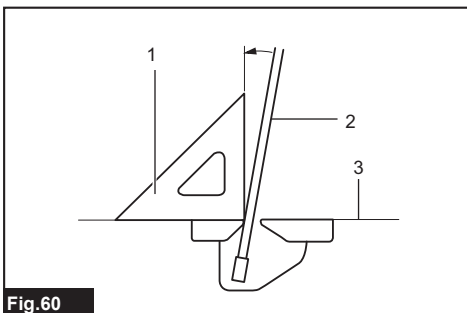


Fig.60

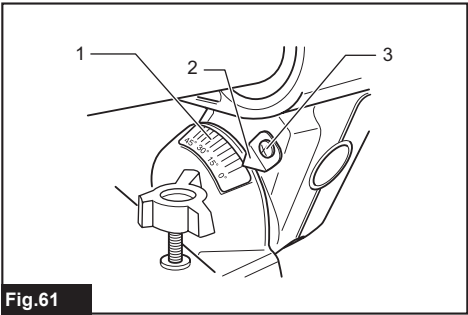


Fig.61

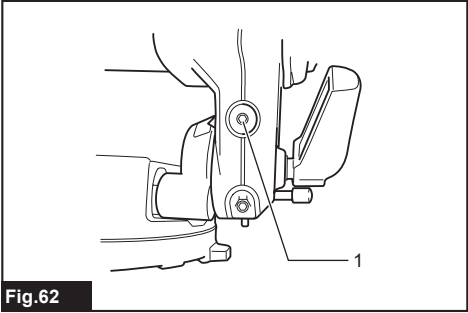


Fig.62

SPECIFICATIONS

Model:	DLS714	
Blade diameter	190 mm	
Blade body thickness	1.3 mm - 2.0 mm	
Hole (arbor) diameter (country specific)	20 mm or 15.88 mm	
Max. miter angle	Left 47°, Right 57°	
Max. bevel angle	Left 45°, Right 5°	
No load speed	5,700 min ⁻¹	
Dimensions (L x W x H)	655 mm x 430 mm x 445 mm	
Rated voltage	D.C.36 V	
Battery cartridge	BL1815N, BL1820, BL1820B	BL1830, BL1830B, BL1840, BL1840B, BL1850, BL1850B, BL1860B
Net weight	13.0 kg	13.5 kg






Cutting capacities (H x W) with blade 190 mm in diameter

Miter angle	Bevel angle		
	45° (left)	0°	5° (right)
0°	40 mm x 300 mm	52 mm x 300 mm	40 mm x 300 mm
	45 mm x 265 mm (NOTE 1)	60 mm x 265 mm (NOTE 1)	–
45° (left and right)	40 mm x 212 mm	52 mm x 212 mm	–
	45 mm x 185 mm (NOTE 2)	60 mm x 185 mm (NOTE 2)	–
57° (right)	–	52 mm x 163 mm	–
	–	60 mm x 145 mm (NOTE 3)	–

1. Max. Cutting capacity when using a wood facing 20 mm thickness
 2. Max. Cutting capacity when using a wood facing 15 mm thickness
 3. Max. Cutting capacity when using a wood facing 10 mm thickness
- Due to our continuing program of research and development, the specifications herein are subject to change without notice.
 - Specifications and battery cartridge may differ from country to country.
 - Weight, with battery cartridge, according to EPTA-Procedure 01/2003

Symbols

The following show the symbols used for the equipment. Be sure that you understand their meaning before use.

	Read instruction manual.
	To avoid injury from flying debris, keep holding the saw head down, after making cuts, until the blade has come to a complete stop.
	When performing slide cut, first pull carriage fully and press down handle, then push carriage toward the guide fence.
	Do not place hand or fingers close to the blade.
	Always set SUB-FENCE to left position when performing left bevel cuts. Failure to do so may cause serious injury to operator.



Only for EU countries
Do not dispose of electric equipment or battery pack together with household waste material!

In observance of the European Directives, on Waste Electric and Electronic Equipment and Batteries and Accumulators and Waste Batteries and Accumulators and their implementation in accordance with national laws, electric equipment and batteries and battery pack(s) that have reached the end of their life must be collected separately and returned to an environmentally compatible recycling facility.

Intended use

The tool is intended for accurate straight and miter cutting in wood. With appropriate saw blades, aluminum can also be sawed.
Do not use the saw to cut other than wood, aluminum or similar materials.

Noise

The typical A-weighted noise level determined according to EN61029:

Sound pressure level (L_{pA}) : 88 dB(A)

Sound power level (L_{WA}) : 97 dB (A)

Uncertainty (K) : 3 dB(A)

⚠ WARNING: Wear ear protection.

Vibration

The vibration total value (tri-axial vector sum) determined according to EN61029:

Vibration emission (a_n) : 2.5 m/s² or less

Uncertainty (K) : 1.5 m/s²

NOTE: The declared vibration emission value has been measured in accordance with the standard test method and may be used for comparing one tool with another.

NOTE: The declared vibration emission value may also be used in a preliminary assessment of exposure.

⚠ WARNING: The vibration emission during actual use of the power tool can differ from the declared emission value depending on the ways in which the tool is used.

⚠ WARNING: Be sure to identify safety measures to protect the operator that are based on an estimation of exposure in the actual conditions of use (taking account of all parts of the operating cycle such as the times when the tool is switched off and when it is running idle in addition to the trigger time).

EC Declaration of Conformity

For European countries only

Makita declares that the following Machine(s):

Designation of Machine: Cordless Slide Compound Miter Saw

Model No./ Type: DLS714

Conforms to the following European Directives: 2006/42/EC

They are manufactured in accordance with the following standard or standardized documents: EN61029

The technical file in accordance with 2006/42/EC is available from:

Makita, Jan-Baptist Vinkstraat 2, 3070, Belgium
16.1.2015



Yasushi Fukaya

Director

Makita, Jan-Baptist Vinkstraat 2, 3070, Belgium

General power tool safety warnings

⚠ WARNING: Read all safety warnings and all instructions. Failure to follow the warnings and instructions may result in electric shock, fire and/or serious injury.

Save all warnings and instructions for future reference.

The term "power tool" in the warnings refers to your mains-operated (corded) power tool or battery-operated (cordless) power tool.

Cordless miter saw safety warnings

1. **Keep hands out of path of saw blade. Avoid contact with any coasting blade. It can still cause severe injury.**
2. **Check the saw blade carefully for cracks or deformation before operation. Replace damaged blades immediately.**
3. **Replace the kerf board when worn.**
4. **Use only saw blades specified by the manufacturer which conform to EN847-1.**
5. **Do not use saw blades manufactured from high speed steel.**
6. **Wear eye protection.**
7. **Wear hearing protection to reduce the risk of hearing loss.**
8. **Wear gloves for handling saw blade (saw blades shall be carried in a holder wherever practicable) and rough material.**
9. **Connect miter saws to a dust collecting device when sawing.**
10. **Select saw blades in relation to the material to be cut.**
11. **Always secure all moving portions before carrying the tool. When lifting or carrying the tool, do not use the guard as a carrying handle.**
12. **Do not operate saw without guards in place. Check blade guard for proper closing before each use. Do not operate saw if blade guard does not move freely and close instantly. Never clamp or tie the blade guard into the open position.**
13. **Keep the floor area free of loose material e.g. chips and cut-offs.**
14. **Use only saw blades that are marked with a maximum speed equal to or higher than the no load speed marked on the tool.**
15. **When the tool is fitted with a laser or LED, do not replace the laser or LED with a different type. Ask an authorized service center for repair.**
16. **Never remove any cut-offs or other parts of the workpiece from the cutting area whilst the tool is running with an unguarded saw blade.**
17. **Do not perform any operation freehand. The workpiece must be secured firmly against the turn base and guide fence with the vise during all operations. Never use your hand to secure the workpiece.**
18. **Ensure that the tool is stable before each cut.**
19. **Fix the tool to a work bench, if needed.**
20. **Support long workpieces with appropriate additional supports.**
21. **Never cut so small workpiece which cannot be securely held by the vise. Improperly held workpiece may cause kickback and serious personal injury.**
22. **Never reach around saw blade.**
23. **Turn off tool and wait for saw blade to stop before moving workpiece or changing settings.**

24. Disconnect the plug from the power source and/or the battery pack from the power tool before changing blade or servicing.
25. Stopper pin which locks the cutter head down is for carrying and storage purposes only and not for any cutting operations.
26. Do not use the tool in the presence of flammable liquids or gases. The electrical operation of the tool could create an explosion and fire when exposed to flammable liquids or gases.
27. Use only flanges specified for this tool.
28. Be careful not to damage the arbor, flanges (especially the installing surface) or bolt. Damage to these parts could result in blade breakage.
29. Make sure that the turn base is properly secured so it will not move during operation.
30. For your safety, remove the chips, small pieces, etc. from the table top before operation.
31. Avoid cutting nails. Inspect for and remove all nails from the workpiece before operation.
32. Make sure the shaft lock is released before the switch is turned on.
33. Be sure that the blade does not contact the turn base in the lowest position.
34. Hold the handle firmly. Be aware that the saw moves up or down slightly during start-up and stopping.
35. Make sure the blade is not contacting the workpiece before the switch is turned on.
36. Before using the tool on an actual workpiece, let it run for a while. Watch for vibration or wobbling that could indicate poor installation or a poorly balanced blade.
37. Wait until the blade attains full speed before cutting.
38. Stop operation immediately if you notice anything abnormal.
39. Do not attempt to lock the trigger in the on position.
40. Be alert at all times, especially during repetitive, monotonous operations. Do not be lulled into a false sense of security. Blades are extremely unforgiving.
41. Always use accessories recommended in this manual. Use of improper accessories such as abrasive wheels may cause an injury.
42. Take care when slotting.
43. Some dust created from operation contains chemicals known to cause cancer, birth defects or other reproductive harm. Some examples of these chemicals are:
 - lead from lead-based-painted material and,
 - arsenic and chromium from chemically-treated lumber.

Your risk from these exposures varies, depending on how often you do this type of work. To reduce your exposure to these chemicals: work in a well ventilated area and work with approved safety equipment, such as those dust masks that are specially designed to filter out microscopic particles.

44. To reduce the emitted noise, always be sure that the blade is sharp and clean.
45. The operator is adequately trained in the use, adjustment and operation of the machine.

SAVE THESE INSTRUCTIONS.

⚠WARNING: DO NOT let comfort or familiarity with product (gained from repeated use) replace strict adherence to safety rules for the subject product. MISUSE or failure to follow the safety rules stated in this instruction manual may cause serious personal injury.

Important safety instructions for battery cartridge

1. Before using battery cartridge, read all instructions and cautionary markings on (1) battery charger, (2) battery, and (3) product using battery.
2. Do not disassemble battery cartridge.
3. If operating time has become excessively shorter, stop operating immediately. It may result in a risk of overheating, possible burns and even an explosion.
4. If electrolyte gets into your eyes, rinse them out with clear water and seek medical attention right away. It may result in loss of your eyesight.
5. Do not short the battery cartridge:
 - (1) Do not touch the terminals with any conductive material.
 - (2) Avoid storing battery cartridge in a container with other metal objects such as nails, coins, etc.
 - (3) Do not expose battery cartridge to water or rain.

A battery short can cause a large current flow, overheating, possible burns and even a breakdown.
6. Do not store the tool and battery cartridge in locations where the temperature may reach or exceed 50 °C (122 °F).
7. Do not incinerate the battery cartridge even if it is severely damaged or is completely worn out. The battery cartridge can explode in a fire.
8. Be careful not to drop or strike battery.
9. Do not use a damaged battery.
10. The contained lithium-ion batteries are subject to the Dangerous Goods Legislation requirements.

For commercial transports e.g. by third parties, forwarding agents, special requirement on packaging and labeling must be observed. For preparation of the item being shipped, consulting an expert for hazardous material is required. Please also observe possibly more detailed national regulations.

Tape or mask off open contacts and pack up the battery in such a manner that it cannot move around in the packaging.
11. Follow your local regulations relating to disposal of battery.

SAVE THESE INSTRUCTIONS.

⚠ CAUTION: Only use genuine Makita batteries. Use of non-genuine Makita batteries, or batteries that have been altered, may result in the battery bursting causing fires, personal injury and damage. It will also void the Makita warranty for the Makita tool and charger.

Tips for maintaining maximum battery life

1. Charge the battery cartridge before completely discharged. Always stop tool operation and charge the battery cartridge when you notice less tool power.
2. Never recharge a fully charged battery cartridge. Overcharging shortens the battery service life.
3. Charge the battery cartridge with room temperature at 10 °C - 40 °C (50 °F - 104 °F). Let a hot battery cartridge cool down before charging it.
4. Charge the battery cartridge if you do not use it for a long period (more than six months).

PARTS DESCRIPTION

► Fig.1

1	Lock-off button	2	Switch trigger	3	Blade case	4	Adjusting screw (for lower limit position)
5	Adjusting bolt (for maximum cutting capacity)	6	Stopper arm	7	Dust bag	8	Bevel scale
9	Blade guard	10	Vertical vice	11	Guide fence	12	Holder
13	Lock lever (for turn base)	14	Grip (for turn base)	15	Adjusting bolt (for turn base)	16	Kerf board
17	Pointer (for miter angle)	18	Turn base	-	-	-	-

► Fig.2

19	Slide pole (upper)	20	Thumb screw (for locking upper slide pole)	21	Hex wrench	22	Clamp screw (for locking holder)
23	Lever (for bevel angle adjustment)	24	Slide pole (lower)	25	Thumb screw (for locking lower slide pole)	-	-

INSTALLATION

Bench mounting

⚠ WARNING: Ensure that the tool does not move on the supporting surface. Movement of the miter saw on the supporting surface while cutting may result in loss of control and serious personal injury.

1. Fix the base to a level and stable surface, screwing with two bolts. This helps to prevent from tipping and possible injury.

► Fig.3: 1. Bolt

2. Turn the adjusting bolt clockwise or counterclockwise so that it comes into a contact with the floor surface to keep the tool stable.

► Fig.4: 1. Adjusting bolt

FUNCTIONAL DESCRIPTION

⚠ WARNING: Always be sure that the tool is switched off and the battery cartridge is removed before adjusting or checking the functions on the tool. Failure to switch off and remove the battery cartridge may result in serious personal injury from accidental start-up.

Installing or removing battery cartridge

⚠ CAUTION: Always switch off the tool before installing or removing of the battery cartridge.

⚠ CAUTION: Hold the tool and the battery cartridge firmly when installing or removing battery cartridge. Failure to hold the tool and the battery cartridge firmly may cause them to slip off your hands and result in damage to the tool and battery cartridge and a personal injury.

► **Fig.5:** 1. Red indicator 2. Button 3. Battery cartridge

To remove the battery cartridge, slide it from the tool while sliding the button on the front of the cartridge.

To install the battery cartridge, align the tongue on the battery cartridge with the groove in the housing and slip it into place. Insert it all the way until it locks in place with a little click. If you can see the red indicator on the upper side of the button, it is not locked completely.

⚠ CAUTION: Always install the battery cartridge fully until the red indicator cannot be seen. If not, it may accidentally fall out of the tool, causing injury to you or someone around you.

⚠ CAUTION: Do not install the battery cartridge forcibly. If the cartridge does not slide in easily, it is not being inserted correctly.

NOTE: The tool does not work with only one battery cartridge.


Tool / battery protection system

The tool is equipped with a tool/battery protection system. This system automatically cuts off power to the motor to extend tool and battery life. The tool will automatically stop during operation if the tool or battery is placed under one of the following conditions:

Overload protection

When the tool is operated in a manner that causes it to draw an abnormally high current, the tool automatically stops without any indication. In this situation, turn the tool off and stop the application that caused the tool to become overloaded. Then turn the tool on to restart.

Overheat protection

■ on	▣ Blinking
	

When the tool is overheated, the tool stops automatically, and the battery indicator blink about 60 seconds. In this situation, let the tool cool down before turning the tool on again.





Overdischarge protection

When the battery capacity becomes low, the tool stops automatically. If the product does not operate even when the switches are operated, remove the batteries from the tool and charge the batteries.

Indicating the remaining battery capacity

► **Fig.6:** 1. Battery indicator 2. Check button

Press the check button to indicate the remaining battery capacities. The battery indicators correspond to each battery.

Battery indicator status			Remaining battery capacity
■ On	□ Off	▣ Blinking	
			50% to 100%
			20% to 50%
			0% to 20%
			Charge the battery

Indicating the remaining battery capacity

Only for battery cartridges with the indicator

► **Fig.7:** 1. Indicator lamps 2. Check button



Press the check button on the battery cartridge to indicate the remaining battery capacity. The indicator lamps light up for few seconds.

Indicator lamps			Remaining capacity
■ Lighted	□ Off	▣ Blinking	
■ ■ ■ ■			75% to 100%
■ ■ ■ □			50% to 75%
■ ■ □ □			25% to 50%
■ □ □ □			0% to 25%
▣ □ □ □			Charge the battery.
■ □ □ □			The battery may have malfunctioned.
□ □ ■ ■			

NOTE: Depending on the conditions of use and the ambient temperature, the indication may differ slightly from the actual capacity.

Automatic speed change function

► **Fig.8:** 1. Mode indicator

Mode indicator status	Operation mode
	High speed mode
	High torque mode

This tool has "high speed mode" and "high torque mode". It automatically changes operation mode depending on the work load. When mode indicator lights up during operation, the tool is in high torque mode.

Stopper pin

CAUTION: Always hold the handle when releasing the stopper pin. Otherwise the handle springs up and it may result in personal injury.

To release the stopper pin, keep applying a slight downward pressure on the handle and then pulling the stopper pin.

► **Fig.9:** 1. Stopper pin

Blade guard

WARNING: Never defeat or remove the blade guard or the spring which attaches to the guard. An exposed blade as a result of defeated guarding may result in serious personal injury during operation.

WARNING: Never use the tool if the blade guard or spring are damaged, faulty or removed. Operation of the tool with a damaged, faulty or removed guard may result in serious personal injury.

CAUTION: Always maintain the blade guard in good condition for safe operation. Stop the operation immediately if there are any irregularity of the blade guard. Check to assure spring loaded return action of guard.

For tools with blade guard release lever

► **Fig.10:** 1. Blade guard A 2. Blade guard B

When lowering the handle, the blade guard A rises automatically. The blade guard B rises as it contacts a workpiece. The guards are spring loaded so it returns to its original position when the cut is completed and the handle is raised.

For tools without blade guard release lever

► **Fig.11:** 1. Blade guard

When lowering the handle, the blade guard raises automatically. The guard is spring loaded so it returns to its original position when the cut is completed and the handle is raised.

Cleaning

► **Fig.12:** 1. Blade guard

If the transparent blade guard becomes dirty, or sawdust adheres to it in such a way that the blade and/or workpiece is no longer easily visible, remove the battery cartridge and clean the guard carefully with a damp cloth. Do not use solvents or any petroleum-based cleaners on the plastic guard because this may cause damage to the guard.

For cleaning, raise the blade guard by referring to "Installing or removing saw blade".

After cleaning, make sure to return the blade and center cover and tighten the hex socket bolt.

1. Make sure that the tool is switched off and the battery cartridges are removed.
2. Turn the hex socket bolt counterclockwise using the supplied hex wrench with holding the center cover.
3. Raise the blade guard and center cover.
4. When cleaning is complete, return the center cover and tighten the hex socket bolt by performing the steps above in reverse.

WARNING: Do not remove spring holding blade guard. If guard becomes damaged in course of time or UV light exposure, contact a Makita service center for replacement. **DO NOT DEFEAT OR REMOVE GUARD.**

Positioning kerf board

This tool is provided with the kerf boards in the turn base to minimize tearing on the exit side of a cut. The kerf boards are factory adjusted so that the saw blade does not contact the kerf boards. Before use, adjust the kerf boards as follows:

1. Make sure to remove the battery cartridge. Then, loosen all the screws (2 each on left and right) securing the kerf boards.

► **Fig.13:** 1. Kerf board 2. Screw

2. Re-tighten them only to the extent that the kerf boards can still be easily moved by hand.

3. Lower the handle fully and push in the stopper pin to lock the handle in the lowered position.

4. Loosen two clamp screws which secure the slide poles.

► **Fig.14:** 1. Thumb screw

5. Pull the carriage toward you fully.

6. Adjust the kerf boards so that the kerf boards just contact the sides of the blade teeth.

► **Fig.15**

► **Fig.16:** 1. Saw blade 2. Blade teeth 3. Kerf board 4. Left bevel cut 5. Straight cut

7. Tighten the front screws (do not tighten firmly).

8. Push the carriage toward the guide fence fully and adjust the kerf boards so that the kerf boards just contact the sides of blade teeth.

9. Tighten the rear screws (do not tighten firmly).

10. After adjusting the kerf boards, release the stopper pin and raise the handle. Then tighten all the screws securely.

NOTICE: After setting the bevel angle ensure that the kerf boards are adjusted properly. Correct adjustment of the kerf boards helps to provide proper support of the workpiece and minimizing workpiece tear out.

Maintaining maximum cutting capacity

This tool is factory adjusted to provide the maximum cutting capacity for a 190 mm saw blade. When installing a new blade, always check the lower limit position of the blade, and if necessary, adjust it as follows:

1. Remove the battery cartridge. Then, push the carriage toward the guide fence fully and lower the handle completely.

► **Fig.17:** 1. Adjusting bolt 2. Guide fence

2. Use the hex wrench to turn the adjusting bolt until the saw blade comes slightly below the cross section of the guide fence and the top surface of the turn base.

► **Fig.18**

3. Rotate the blade by hand while holding the handle all the way down to be sure that the blade does not contact any part of the lower base. Re-adjust slightly, if necessary.

⚠WARNING: After installing a new blade and with the battery cartridge removed, always be sure that the blade does not contact any part of the lower base when the handle is lowered completely. If a blade makes contact with the base it may cause kickback and result in serious personal injury.

▶ Fig.19

Stopper arm

The lower limit position of the blade can be easily adjusted with the stopper arm. To adjust it, move the stopper arm in the direction of the arrow as shown in the figure. Turn the adjusting screw and press down the handle fully to check the result.

▶ Fig.20: 1. Adjusting screw 2. Stopper arm

Sub-fence

Country specific

⚠CAUTION: When performing left bevel cuts, flip the sub-fence outward. Otherwise, it may contact the blade or a part of the tool, and may result in serious injury to the operator.

▶ Fig.21: 1. Sub-fence

This tool is equipped with the sub-fence. Usually position the sub-fence inside. However, when performing left bevel cuts, flip it outward.

Adjusting the miter angle

▶ Fig.22: 1. Turn base 2. Pointer 3. Miter scale
4. Lock lever 5. Grip

1. Loosen the grip counterclockwise.
2. Press down and hold the lock lever, and adjust the angle of the turn base. Use the pointer and the miter scale as a guide.
3. Tighten the grip clockwise firmly.

⚠CAUTION: After changing the miter angle, always secure the turn base by tightening the grip firmly.

NOTICE: When turning the turn base, be sure to raise the handle fully.

Adjusting the bevel angle

To adjust the bevel angle, loosen the lever at the rear of the tool counterclockwise.

▶ Fig.23: 1. Lever 2. Release button

To tilt the blade to the left, hold the handle and tilt the carriage. Use the bevel scale and the pointer as a guide. Then tighten the lever clockwise firmly to secure the arm.

▶ Fig.24: 1. Pointer 2. Bevel scale 3. Arm

To tilt the blade to the right, hold the handle and tilt the carriage to the left slightly, and push the release button. With the release button pressed, tilt the saw blade to the right. Then tighten the lever.

⚠CAUTION: After changing the bevel angle, always secure the arm by tightening the lever clockwise.

NOTICE: When tilting the saw blade be sure the handle is fully raised.

NOTICE: When changing bevel angles, be sure to position the kerf boards appropriately as explained in the "Positioning kerf boards" section.

Adjusting the lever position

If the lever does not provide full tightening in course of time, change the position of the lever. The lever can be repositioned at every 30° angle.

Loosen and remove the screw that secures the lever. Remove the lever and install it again so that it points slightly above the horizontal. Then, tighten the lever with the screw firmly.

▶ Fig.25: 1. Lever 2. Screw

Switch action

⚠WARNING: Before installing the battery cartridge on the tool, always check to see that the switch trigger actuates properly and returns to the "OFF" position when released. Operating a tool with a switch that does not actuate properly can lead to loss of control and serious personal injury.

⚠WARNING: Do not use a lock with a shank or cable any smaller than 6.35 mm (1/4") in diameter. A smaller shank or cable may not properly lock the tool in the off position and unintentional operation may occur resulting in serious personal injury.

⚠WARNING: NEVER use tool without a fully operative switch trigger. Any tool with an inoperative switch is HIGHLY DANGEROUS and must be repaired before further usage or serious personal injury may occur.

⚠WARNING: For your safety, this tool is equipped with a lock-off button which prevents the tool from unintended starting. NEVER use the tool if it runs when you simply pull the switch trigger without pressing the lock-off button. A switch in need of repair may result in unintentional operation and serious personal injury. Return tool to a Makita service center for proper repairs BEFORE further usage.

⚠WARNING: NEVER defeat the lock-off button by taping down or some other means. A switch with a negated lock-off button may result in unintentional operation and serious personal injury.

NOTICE: Do not pull the switch trigger hard without pressing in the lock-off button. This can cause switch breakage.

For tools with blade guard release lever

To prevent the switch trigger from being accidentally pulled, a lock-off button is provided. To start the tool, push the blade guard release lever up, press in the lock-off button and then pull the switch trigger. Release the switch trigger to stop. The lock-off button can be pressed from either right or left. A hole is provided in the switch trigger for insertion of a padlock to lock the tool off.

▶ Fig.26: 1. Blade guard release lever 2. Switch trigger 3. Lock-off button 4. Hole for padlock

For tools without blade guard release lever

To prevent the switch trigger from being accidentally pulled, a lock-off button is provided. To start the tool, press in the lock-off button and pull the switch trigger. Release the switch trigger to stop. The lock-off button can be pressed from either right or left. A hole is provided in the switch trigger for insertion of a padlock to lock the tool off.

► **Fig.27:** 1. Lock-off button 2. Switch trigger 3. Hole for padlock

ASSEMBLY

⚠ WARNING: Always be sure that the tool is switched off and the battery cartridge is removed before working on the tool. Failure to switch off and remove the battery cartridge may result in serious personal injury.

Hex wrench storage

The hex wrench is stored as shown in the figure. When the hex wrench is needed it can be pulled out of the wrench holder.

After using the hex wrench it can be stored by returning it to the wrench holder.

► **Fig.28:** 1. Wrench holder 2. Hex wrench

Installing or removing saw blade

⚠ WARNING: Always be sure that the tool is switched off and the battery cartridge is removed before installing or removing the blade. Accidental start up of the tool may result in serious personal injury.

⚠ CAUTION: Use only the Makita hex wrench provided to install or remove the blade. Failure to do so may result in overtightening or insufficient tightening of the hex socket bolt. This could cause an injury.

To remove the blade, perform the following steps:

1. Lock the handle in the raised position by pushing in the stopper pin.

► **Fig.29:** 1. Stopper pin

2. Use the hex wrench to loosen the hex socket bolt holding the center cover by turning it counterclockwise. Then, raise the blade guard and center cover.

► **Fig.30:** 1. Center cover 2. Hex socket bolt 3. Hex wrench 4. Blade guard

3. Press the shaft lock to lock the spindle and use the hex wrench to loosen the hex socket bolt clockwise. Then remove the hex socket bolt of the spindle, outer flange and blade.

► **Fig.31:** 1. Shaft lock 2. Hex socket bolt 3. Outer flange

4. If the inner flange is removed, install it on the spindle with its blade mounting part facing the blade. If the flange is installed incorrectly the flange will rub against the machine.

► **Fig.32:** 1. Outer flange 2. Saw blade 3. Inner flange 4. Hex socket bolt (left-handed) 5. Spindle 6. Blade mounting part

To install the blade, perform the following steps:

1. Mount the blade carefully onto the inner flange. Make sure that the direction of the arrow on the blade matches the direction of the arrow on the blade case.

► **Fig.33:** 1. Saw blade 2. Arrow

2. Install the outer flange and hex socket bolt, and then use the hex wrench to tighten the hex socket bolt (left-handed) of the spindle securely counterclockwise while pressing the shaft lock.

3. Return the blade guard and center cover to its original position. Then tighten the hex socket bolt of the center cover clockwise to secure the center cover.

4. Release the handle from the raised position by pulling the stopper pin. Lower the handle to make sure that the blade guard moves properly.

5. Make sure the shaft lock has released spindle before making cut.

For tool with the inner flange for 15.88 mm hole-diameter saw blade

Country specific

Mount the inner flange with its recessed side facing outward onto the mounting shaft and then place saw blade (with the ring attached if needed), outer flange and hex bolt.

For tool without the ring

► **Fig.34:** 1. Outer flange 2. Saw blade 3. Inner flange 4. Hex socket bolt (left-handed) 5. Spindle

For tool with the ring

► **Fig.35:** 1. Outer flange 2. Saw blade 3. Inner flange 4. Hex socket bolt (left-handed) 5. Ring 6. Spindle

⚠ WARNING: If the ring is needed to mount the blade onto the spindle, always be sure that the correct ring for the blade's arbor hole you intend to use is installed between the inner and the outer flanges. Use of the incorrect arbor hole ring may result in the improper mounting of the blade causing blade movement and severe vibration resulting in possible loss of control during operation and in serious personal injury.

For tool with the inner flange for other than 20 mm or 15.88 mm hole-diameter saw blade

Country specific

The inner flange has a certain diameter of a blade mounting part on one side of it and a different diameter of blade mounting part on the other side. Choose a correct side on which blade mounting part fits into the saw blade hole perfectly.

► **Fig.36:** 1. Outer flange 2. Saw blade 3. Inner flange 4. Hex socket bolt (left-handed) 5. Spindle 6. Blade mounting part

⚠ CAUTION: Make sure that the blade mounting part "a" on the inner flange that is positioned outside fits into the saw blade hole "a" perfectly. Mounting the blade on the wrong side can result in the dangerous vibration.

Dust bag

Optional accessory

The use of the dust bag makes cutting operations cleaner and dust collection easier.

To attach the dust bag, fit it onto the dust nozzle.

To attach the fastener, align the top end of the fastener with the triangular mark on the dust bag.

When the dust bag is about half full, remove the dust bag from the tool and pull the fastener out. Empty the dust bag of its contents, tapping it lightly so as to remove particles adhering to the insides which might hamper further collection.

► **Fig.37:** 1. Dust bag 2. Dust nozzle 3. Fastener

NOTE: If you connect a vacuum cleaner to your saw, cleaner operations can be performed.

Securing workpiece

⚠ WARNING: It is extremely important to always secure the workpiece correctly with the proper type of vise. Failure to do so may result in serious personal injury and cause damage to the tool and/or the workpiece.

⚠ WARNING: When cutting a workpiece that is longer than the support base of the saw, support the entire length of the material beyond the support base and at the same height to keep the material level. Proper workpiece support helps to avoid blade pinch and possible kickback which may result in serious personal injury. Do not rely solely on the vertical vise and/or horizontal vise to secure the workpiece. Thin material tends to sag. Support workpiece over its entire length to avoid blade pinch and possible KICKBACK.

► **Fig.38:** 1. Support 2. Turn base

Vertical vise

⚠ WARNING: Secure the workpiece firmly against the turn base and guide fence with the vise during all operations. Otherwise the material may move during the cutting operation, cause damage to the blade, and be thrown which may result in loss of control and serious personal injury.

Install the vertical vise on either the left or right side of the guide fence or the holder assembly (optional accessory). Insert the vise rod into the hole in the guide fence or the holder assembly and tighten the lower screw to secure the vise rod.

► **Fig.39:** 1. Vise arm 2. Vise rod 3. Guide fence 4. Holder 5. Holder assembly 6. Vise knob 7. Lower screw 8. Upper screw

Position the vise arm according to the thickness and shape of the workpiece and secure the vise arm by tightening the upper screw. If the upper screw contacts the guide fence, install the upper screw on the opposite side of vise arm. Make sure that no part of the tool contacts the vise when lowering the handle fully and pulling or pushing the carriage all the way. If some part contacts the vise, re-position the vise.

Press the workpiece flat against the guide fence and the turn base. Position the workpiece at the desired cutting position and secure it firmly by tightening the vise knob.

Horizontal vise

Optional accessory

⚠ WARNING: Grip the workpiece only when the indicator is at the topmost position. Failure to do so may result in insufficient securing of the workpiece. This may cause the workpiece to be thrown, cause damage to the blade or cause the loss of control, which may result in personal injury.

► **Fig.40:** 1. Vise knob 2. Indicator 3. Vise shaft 4. Base

The horizontal vise can be installed on the left side of the base.

By turning the vise knob counterclockwise, the screw is released and the vise shaft can be moved rapidly in and out. By turning the vise knob clockwise, the screw remains secured.

To grip the workpiece, turn the vise knob gently clockwise until the indicator reaches its topmost position, then fasten securely. If the vise knob is forced in or pulled out while being turned clockwise, the indicator may stop at an angle. In this case, turn the vise knob back counterclockwise until the screw is released, and then turn it again gently clockwise.

The maximum capacity of the horizontal vise is 120 mm width.

Holders and holder assembly

Optional accessory

⚠ WARNING: Always support a long workpiece so it is level with the top surface of the turn base for an accurate cut and to prevent dangerous loss of tool control. Proper workpiece support helps to avoid blade pinch and possible kickback which may result in serious personal injury.

The holders and the holder assembly (optional accessory) can be installed on either side as a convenient means of supporting workpieces horizontally.

Install them on the side of the tool, then tighten the screws firmly to secure them.

► **Fig.41:** 1. Holder 2. Holder assembly

When cutting long workpieces, use the holder-rod assembly (optional accessory). It consists of two holder assemblies and two rods 12.

► **Fig.42:** 1. Holder assembly 2. Rod 12

OPERATION

⚠ WARNING: Make sure the blade is not contacting the workpiece, etc. before the switch is turned on. Turning the tool on with the blade in contact with the workpiece may result in kickback and serious personal injury.

⚠ WARNING: After a cutting operation, do not raise the blade until it has come to a complete stop. The raising of a coasting blade may result in serious personal injury and damage to the workpiece.

⚠ WARNING: Do not touch the clamp screws which secure the slide poles while the saw blade is rotating. Otherwise the tool may lose control and result in personal injury.

NOTICE: Before use, be sure to release the handle from the lowered position by pulling the stopper pin.

NOTICE: Do not apply excessive pressure on the handle when cutting. Too much force may result in overload of the motor and/or decreased cutting efficiency. Press down handle with only as much force as necessary for smooth cutting and without significant decrease in blade speed.

NOTICE: Gently press down the handle to perform the cut. If the handle is pressed down with force or if lateral force is applied, the blade may vibrate and leave a mark (saw mark) in the workpiece and the precision of the cut may be impaired.

NOTICE: During a slide cut, gently push the carriage toward the guide fence without stopping. If the carriage movement stops during the cut, a mark may be left in the workpiece and the precision of the cut may be impaired.

Press cutting (cutting small workpieces)

⚠ WARNING: Firmly tighten two clamp screws which secure the slide poles clockwise so that the carriage will not move during operation. Insufficient tightening of the locking screw may cause possible kickback which may result in serious personal injury.

► Fig.43

Workpieces up to 52 mm high and 97 mm wide can be cut in the following manner.

1. Push the carriage toward the guide fence fully and tighten two clamp screws which secure the slide poles clockwise to secure the carriage.
2. Secure the workpiece with the proper type of vise.
3. Switch on the tool without the blade making any contact and wait until the blade attains full speed before lowering.
4. Gently lower the handle to the fully lowered position to cut the workpiece.
5. When the cut is completed, switch off the tool and **wait until the blade has come to a complete stop** before returning the blade to its fully elevated position.

Slide (push) cutting (cutting wide workpieces)

⚠ WARNING: Whenever performing a slide cut, first pull the carriage full towards you and press the handle all the way down, then push the carriage toward the guide fence. Never start the cut with the carriage not pulled fully toward you. If you perform the slide cut without the carriage pulled fully toward you unexpected kickback may occur and serious personal injury may result.

⚠ WARNING: Never attempt to perform a slide cut by pulling the carriage towards you. Pulling the carriage towards you while cutting may cause unexpected kickback resulting in possible serious personal injury.

⚠ WARNING: Never perform the slide cut with the handle locked in the lowered position.

⚠ WARNING: Never loosen the knob which secures the carriage while the blade is rotating. A loose carriage while cutting may cause unexpected kickback resulting in possible in serious personal injury.

► Fig.44

1. Loosen two clamp screws which secure the slide poles counterclockwise so that the carriage can slide freely.
2. Secure the workpiece with the proper type of vise.
3. Pull the carriage toward you fully.
4. Switch on the tool without the blade making any contact and wait until the blade attains full speed.
5. Press the handle down and **push the carriage toward the guide fence and through the workpiece.**
6. When the cut is completed, switch off the tool and **wait until the blade has come to a complete stop** before returning the blade to its fully elevated position.

Miter cutting

Refer to the previously covered "Adjusting the miter angle".

Bevel cut

⚠ WARNING: After setting the blade for a bevel cut, before operating the tool ensure that the carriage and blade will have free travel throughout the entire range of the intended cut. Interruption of the carriage or blade travel during the cutting operation may result in kickback and serious personal injury.

⚠ WARNING: While making a bevel cut keep hands out of the path of the blade. The angle of the blade may confuse the operator as to the actual blade path while cutting and contact with the blade will result in serious personal injury

⚠ WARNING: The blade should not be raised until it has come to a complete stop. During a bevel cut the piece cut off may come to rest against the blade. If the blade is raised while it is rotating the cut-off piece may be ejected by the blade causing the material to fragment which may result in serious personal injury.

⚠ CAUTION: (Only for tools with sub-fence) Always set the sub-fence outside when performing left bevel cuts.

► Fig.45

1. Loosen the lever and tilt the saw blade to set the bevel angle (Refer to the previously covered "Adjusting the bevel angle"). Be sure to retighten the lever firmly to secure the selected bevel angle safely.
2. Secure the workpiece with a vise.
3. Pull the carriage toward you fully.
4. Switch on the tool without the blade making any contact and wait until the blade attains full speed.
5. Gently lower the handle to the fully lowered position while applying pressure in parallel with the blade and **push the carriage toward the guide fence to cut the workpiece.**
6. When the cut is completed, switch off the tool and **wait until the blade has come to a complete stop** before returning the blade to its fully elevated position.

NOTICE: When pressing down the handle, apply pressure in parallel with the blade. If a force is applied perpendicularly to the turn base or if the pressure direction is changed during a cut, the precision of the cut will be impaired.

Compound cutting

Compound cutting is the process in which a bevel angle is made at the same time in which a miter angle is being cut on a workpiece. Compound cutting can be performed at the angle shown in the table.

Miter angle	Bevel angle
Left and Right 45°	Left 0° - 45°
Right 50°	Left 0° - 40°
Right 55°	Left 0° - 30°
Right 57°	Left 0° - 25°

When performing compound cutting, refer to "Press cutting", "Slide cutting", "Miter cutting" and "Bevel cut" explanations.

Cutting crown and cove moldings

Crown and cove moldings can be cut on a compound miter saw with the moldings laid flat on the turn base. There are two common types of crown moldings and one type of cove moldings; 52/38° wall angle crown molding, 45° wall angle crown molding and 45° wall angle cove molding.

► **Fig.46:** 1. 52/38° type crown molding 2. 45° type crown molding 3. 45° type cove molding

There are crown and cove molding joints which are made to fit "Inside" 90° corners ((a) and (b) in the figure) and "Outside" 90° corners ((c) and (d) in the figure.)

► **Fig.47:** 1. Inside corner 2. Outside corner

► **Fig.48:** 1. Inside corner 2. Outside corner

Measuring

Measure the wall width, and adjust the width of the workpiece according to it. Always make sure that width of the workpiece's wall contact edge is the same as wall length.

► **Fig.49:** 1. Workpiece 2. Wall width 3. Width of the workpiece 4. Wall contact edge

Always use several pieces for test cuts to check the saw angles.

When cutting crown and cove moldings, set the bevel angle and miter angle as indicated in the table (A) and position the moldings on the top surface of the saw base as indicated in the table (B).

In the case of left bevel cut

► **Fig.50:** 1. Inside corner 2. Outside corner

Table (A)

-	Molding position in the figure	Bevel angle		Miter angle	
		52/38° type	45° type	52/38° type	45° type
For inside corner	(a)	Left 33.9°	Left 30°	Right 31.6°	Right 35.3°
	(b)			Left 31.6°	Left 35.3°
For outside corner	(c)			Right 31.6°	Right 35.3°
	(d)			Right 31.6°	Right 35.3°

Table (B)

-	Molding position in the figure	Molding edge against guide fence	Finished piece
For inside corner	(a)	Ceiling contact edge should be against guide fence.	Finished piece will be on the Left side of blade.
	(b)	Wall contact edge should be against guide fence.	
For outside corner	(c)	Wall contact edge should be against guide fence.	Finished piece will be on the Right side of blade.
	(d)	Ceiling contact edge should be against guide fence.	

Example:

In the case of cutting 52/38° type crown molding for position (a) in the above figure:

- Tilt and secure bevel angle setting to 33.9° LEFT.
- Adjust and secure miter angle setting to 31.6° RIGHT.
- Lay crown molding with its broad back (hidden) surface down on the turn base with its CEILING CONTACT EDGE against the guide fence on the saw.
- The finished piece to be used will always be on the LEFT side of the blade after the cut has been made.

Cutting aluminum extrusion

► **Fig.51:** 1. Vise 2. Spacer block 3. Guide fence 4. Aluminum extrusion 5. Spacer block

When securing aluminum extrusions, use spacer blocks or pieces of scrap as shown in the figure to prevent deformation of the aluminum. Use a cutting lubricant when cutting the aluminum extrusion to prevent build-up of the aluminum material on the blade.

CAUTION: Never attempt to cut thick or round aluminum extrusions. Thick aluminum extrusions may come loose during operation and round aluminum extrusions cannot be secured firmly with this tool.

Wood facing

⚠ WARNING: Use screws to attach the wood facing to the guide fence. The screws should be installed so that the screw heads are below the surface of the wood facing so that they will not interfere with the positioning of the material being cut. Misalignment of the material being cut can cause unexpected movement during the cutting operation which may result in a loss of control and serious personal injury.

⚠ CAUTION: Use the straight wood of even thickness as the wood facing.

Use of wood facing helps to assure splinter-free cuts in workpieces. Attach a wood facing to the guide fence using the holes in the guide fence.

See the figure concerning the dimensions for a suggested wood facing.

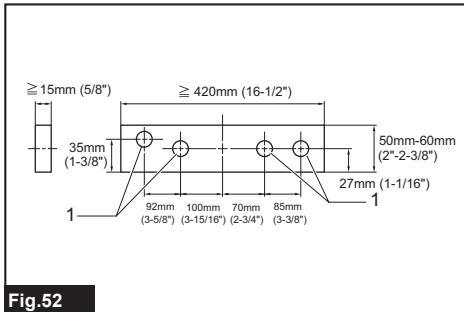


Fig.52

► Fig.52: 1. Holes

NOTICE: When the wood facing is attached, do not turn the turn base with the handle lowered. The blade and/or the wood facing will be damaged.

Cutting repetitive lengths

When cutting several pieces of stock to the same length, ranging from 220 mm to 385 mm, use the set plate (optional accessory). Install the set plate on the holder (optional accessory) as shown in the figure.

► Fig.53: 1. Set plate 2. Holder 3. Screw

Align the cutting line on your workpiece with either the left or right side of the groove in the kerf board, and while holding the workpiece, move the set plate flush against the end of the workpiece. Then secure the set plate with the screw. When the set plate is not used, loosen the screw and turn the set plate out of the way.

NOTE: Use of the holder-rod assembly (optional accessory) allows cutting repetitive lengths up to 2,200 mm approximately.

Groove cutting

⚠ WARNING: Do not attempt to perform this type of cut by using a wider type blade or dado blade. Attempting to make a groove cut with a wider blade or dado blade could lead to unexpected cutting results and kickback which may result in serious personal injury.

⚠ WARNING: Be sure to return the stopper arm to the original position when performing other than groove cutting. Attempting to make cuts with the stopper arm in the incorrect position could lead to unexpected cutting results and kickback which may result in serious personal injury.

For a dado type cut, perform as follows:

1. Adjust the lower limit position of the blade using the adjusting screw and the stopper arm to limit the cutting depth of the blade. Refer to "Stopper arm" section described on previously.
2. After adjusting the lower limit position of the blade, cut parallel grooves across the width of the workpiece using a slide (push) cut.

► Fig.54: 1. Cut grooves with blade

3. Remove the workpiece material between the grooves with a chisel.

Carrying tool

⚠ WARNING: Stopper pin is only for carrying and storage purposes and should never be used for any cutting operations. The use of the stopper pin for cutting operations may cause unexpected movement of the saw blade resulting in kickback and serious personal injury.

⚠ CAUTION: Always secure all moving portions before carrying the tool. If portions of the tool move or slide while being carried loss of control or balance may occur resulting in personal injury.

► Fig.55

1. Remove the battery cartridge.
2. Secure the blade at 0° bevel angle and the turn base at the full right miter angle position.
3. Secure the slide poles so that the lower slide pole is locked in the position of the carriage fully pulled to operator and the upper poles are locked in the position of the carriage fully pushed forward to the guide fence.
4. Lower the handle fully and lock it in the lowered position by pushing in the stopper pin.
5. Carry the tool by holding both sides of the tool base. If you remove the holders, dust bag, etc., you can carry the tool more easily.

MAINTENANCE

⚠ WARNING: Always be sure that the blade is sharp and clean for the best and safest performance. Attempting a cut with a dull and /or dirty blade may cause kickback and result in a serious personal injury.

CAUTION: Always be sure that the tool is switched off and the battery cartridge is removed before attempting to perform inspection or maintenance.

NOTICE: Never use gasoline, benzine, thinner, alcohol or the like. Discoloration, deformation or cracks may result.

Adjusting the cutting angle

This tool is carefully adjusted and aligned at the factory, but rough handling may have affected the alignment. If your tool is not aligned properly, perform the following:

Miter angle

1. Push the carriage toward the guide fence and tighten two clamp screws to secure the carriage.
2. Rotate the turn base until the pointer indicates 0° on the miter scale.
3. Rotate the turn base slightly clockwise and counterclockwise to seat the turn base in the 0° miter notch. (Leave as it is if the pointer does not indicate 0°.)
4. Loosen the hex socket bolt securing the guide fence using the hex wrench.

► **Fig.56:** 1. Guide fence 2. Hex socket bolt

5. Lower the handle fully and lock it in the lowered position by pushing in the stopper pin.
 6. Adjust the guide fence until it makes a perpendicular angle with the blade using a triangular rule, try-square, etc. Then securely tighten the hex socket bolt on the guide fence in order starting from the right side.
- **Fig.57:** 1. Triangular rule

7. Make sure that the pointer indicates 0° on the miter scale. If the pointer does not indicate 0°, loosen the screw which secures the pointer and adjust the pointer so that it indicates 0°.

► **Fig.58:** 1. Screw 2. Miter scale 3. Pointer

Bevel angle

0° bevel angle

► **Fig.59:** 1. Lever 2. Arm holder 3. 0° degree bevel angle adjusting bolt 4. Arm 5. Release button

1. Push the carriage toward the guide fence and tighten two clamp screws to secure the carriage.
2. Lower the handle fully and lock it in the lowered position by pushing in the stopper pin.
3. Loosen the lever at the rear of the tool.
4. Turn the 0° bevel angle adjusting bolt (lower bolt) on the right side of the arm two or three revolutions counterclockwise to tilt the blade to the right.
5. Turn the 0° bevel angle adjusting bolt clockwise carefully until the side of the blade makes a perpendicular angle with the top surface of the turn base. Use the triangular rule, try-square, etc. as a guide. Then tighten the lever securely.

► **Fig.60:** 1. Triangular rule 2. Saw blade 3. Top surface of turn table

6. Make sure that the pointer on the arm indicates 0° on the bevel scale. If it does not indicate 0°, loosen the screw which secures the pointer and adjust the pointer so that it indicates 0°.

► **Fig.61:** 1. Bevel scale 2. Pointer 3. Screw

45° bevel angle

► **Fig.62:** 1. Left 45° bevel angle adjusting bolt

Adjust the 45° bevel angle only after performing 0° bevel angle adjustment.

1. Loosen the lever and tilt the blade to the left fully.
2. Make sure that the pointer on the arm indicates 45° on the bevel scale. If the pointer does not indicate 45°, turn the 45° bevel angle adjusting bolt (upper bolt) on the right side of the arm until the pointer indicates 45°.

After use

After use, wipe off chips and dust adhering to the tool with a cloth or the like. Keep the blade guard clean according to the directions in the previously covered section titled "Blade guard". Lubricate the sliding portions with machine oil to prevent rust.

When storing the tool, pull the carriage toward you fully so that the slide pole is thoroughly inserted into the turn base.

To maintain product SAFETY and RELIABILITY, repairs, any other maintenance or adjustment should be performed by Makita Authorized or Factory Service Centers, always using Makita replacement parts.

OPTIONAL ACCESSORIES

WARNING: These Makita accessories or attachments are recommended for use with your Makita tool specified in this manual. The use of any other accessories or attachments may result in serious personal injury.

WARNING: Only use the Makita accessory or attachment for its stated purpose. Misuse of an accessory or attachment may result in serious personal injury.

If you need any assistance for more details regarding these accessories, ask your local Makita Service Center.

- Carbide-tipped saw blades
- Vise assembly (Horizontal vise)
- Vertical vise
- Holder assembly
- Holder rod assembly
- Set plate
- Dust bag
- Triangular rule
- Hex wrench
- Makita genuine battery and charger

NOTE: Some items in the list may be included in the tool package as standard accessories. They may differ from country to country.

SPECIFIKATIONER

Modell:	DLS714	
Bladdiameter	190 mm	
Sågklingans tjocklek	1,3 mm - 2,0 mm	
Håldiameter (axeldiameter) (landsspecifikt)	20 mm eller 15,88 mm	
Max. geringsvinkel	Vänster 47°, Höger 5°	
Max. för vinkelsågning	Vänster 45°, Höger 5°	
Hastighet utan belastning	5 700 min ⁻¹	
Dimensioner (L x B x H)	655 mm x 430 mm x 445 mm	
Märkspänning	36 V likström	
Batterikasset	BL1815N, BL1820, BL1820B	BL1830, BL1830B, BL1840, BL1840B, BL1850, BL1850B, BL1860B
Nettovikt	13,0 kg	13,5 kg

Sågkapacitet (H x B) med en sågklinga på 190 mm i diameter

Geringsvinkel	Vinkel för vinkelsågning		
	45° (vänster)	0°	5° (höger)
0°	40 mm x 300 mm	52 mm x 300 mm	40 mm x 300 mm
	45 mm x 265 mm (ANTECKNING 1)	60 mm x 265 mm (ANTECKNING 1)	–
45° (vänster och höger)	40 mm x 212 mm	52 mm x 212 mm	–
	45 mm x 185 mm (ANTECKNING 2)	60 mm x 185 mm (ANTECKNING 2)	–
57° (höger)	–	52 mm x 163 mm	–
	–	60 mm x 145 mm (ANTECKNING 3)	–

1. Max. sågningskapacitet med användning av en träskoning med en tjocklek på 20 mm
 2. Max. sågningskapacitet med användning av en träskoning med en tjocklek på 15 mm
 3. Max. sågningskapacitet med användning av en träskoning med en tjocklek på 10 mm
- På grund av vårt pågående program för forskning och utveckling kan dessa specifikationer ändras utan föregående meddelande.
 - Specifikationer och batterikasset kan variera mellan olika länder.
 - Vikt, med batterikasset, i enlighet med EPTA-procedure 01/2003

Symboler

Följande visar symbolerna som används för utrustningen. Se till att du förstår innebörden innan du använder bormaskinen.



Läs igenom bruksanvisningen.



För att undvika skador från flygande materialrester, fortsätt att hålla ned såghuvudet efter att du har sågat färdigt, tills bladet har stannat helt.



Vid skjutsågning, dra först ut vagnen så långt som möjligt, tryck ned handtaget och skjut sedan vagnen mot anhället.



Håll inte handen eller fingrarna i närheten av sågbladet.



Sätt alltid STÖDANHÄLLET i det vänstra läget när du utför vinkelsågning åt vänster. I annat fall kan användaren skadas allvarligt.



Cd
Ni-MH
Li-ion

Gäller endast inom EU
Elektrisk utrustning eller batteripaket får inte kastas i hushållsavfallet!
Enligt EU-direktiven som avser förbrukad elektrisk och elektronisk utrustning, batterier och ackumulatörer, samt direktivens tillämpning enligt nationell lagstiftning, ska uttjänt elektrisk utrustning, batterier och batteripaket sorteras separat och lämnas till miljövänlig återvinning.

Avsedd användning

Maskinen är avsedd för exakt rak sågning och gerings-sågning i trä.

Använd inte sågen till annat än för sågning av trä, aluminium eller liknande material.

Buller

Den normala bullernivån för A-belastning är bestämd enligt EN61029:

Ljudtrycksnivå (L_{pA}): 88 dB (A)

Ljudeffektnivå (L_{WA}): 97 dB (A)

Mättolerans (K): 3 dB (A)

⚠ VARNING: Använd hörselskydd.

Vibration

Det totala vibrationsvärdet (treaxlad vektorsumma) bestämt enligt EN61029:

Vibrationsemission (a_{h1}): 2,5 m/s² eller lägre

Mättolerans (K): 1,5 m/s²

OBS: Det deklarerade vibrationsemissionsvärdet har uppmätts i enlighet med standardtestmetoden och kan användas för att jämföra en maskin med en annan.

OBS: Det deklarerade vibrationsemissionsvärdet kan också användas i en preliminär bedömning av exponering för vibration.

⚠ VARNING: Vibrationsemissionen under faktisk användning av maskinen kan skilja sig från det deklarerade emissionsvärdet, beroende på hur maskinen används.

⚠ VARNING: Var noga med att identifiera säkerhetsåtgärder för att skydda användaren, vilka är grundade på en uppskattning av graden av exponering för vibrationer under de faktiska användningsförhållandena, (ta, förutom avtryckartiden, med alla delar av användarcykeln i beräkningen, som till exempel tiden då maskinen är avstängd och när den går på tomgång).

EU-konformitetsdeklaration

Gäller endast inom EU

Makita försäkrar att följande maskiner:

Maskinbeteckning: Batteridrivna skjutbar kap- och geringskombinationssåg

Modellnr./-typ: DLS714

Följer följande EU-direktiv: 2006/42/EC

De är tillverkade i enlighet med följande standard eller standardiseringsdokument: EN61029

Den tekniska dokumentationen i enlighet med 2006/42/EC finns tillgänglig från:

Makita, Jan-Baptist Vinkstraat 2, 3070, Belgium
16.1.2015

Yasushi Fukaya

Direktör

Makita, Jan-Baptist Vinkstraat 2, 3070, Belgium

Allmänna säkerhetsvarningar för maskiner

⚠ VARNING: Läs igenom alla säkerhetsvarningar och anvisningar. Underlåtenhet att följa varningar och instruktioner kan leda till elstöt, brand och/eller allvarliga personskadorna.

Spara alla varningar och instruktioner för framtida referens.

Termen "maskin" som anges i varningarna hänvisar till din eldrivna maskin (sladdansluten) eller batteridrivna maskin (sladdlös).

Säkerhetsvarningar för batteridrivna geringssåg

1. **Håll händerna borta från sågklingans väg. Undvik kontakt med roterande sågklingor. De kan fortfarande orsaka allvarliga skador.**
2. **Kontrollera sågbladet noga efter sprickor eller deformation före användning. Ersätt skadade sågklingor på en gång.**
3. **Byt ut sågskäret när det är slitet.**
4. **Använd endast sågblad som specificerats av tillverkaren som följer EN847-1.**
5. **Använd inte sågblad som tillverkats av snabbstål.**
6. **Använd ögonskydd.**
7. **Använd hörselskydd för att minska risken för hörselnedsättning.**
8. **Bär alltid handskar när du hanterar sågblad (sågblad ska alltid bäras i en hållare om det är möjligt) och grova material.**
9. **Anslut geringssågar till en anordning för dammsugning innan sågning.**
10. **Välj sågblad som passar det material som skall sågas.**
11. **Fäst alltid alla rörliga delar innan du bär maskinen. När du lyfter och bär maskinen ska du inte använda skyddet som bärhandtag.**
12. **Använd inte sågen om inte skydden är på plats. Kontrollera att klingskyddet är stängt före varje sågning. Använd inte sågen om klingskyddet kärvar och inte stängs omedelbart. Kila aldrig fast klingskyddet i öppet läge.**
13. **Håll golvet rent från löst material, t.ex. spån och avsågade bitar.**
14. **Använd endast sågblad som är märkta med ett maximalt varvtal som är lika med eller högre än varvtalet för ingen belastning som är märkt på maskinen.**
15. **Om maskinen har en laser eller LED, får inte laser eller LED ersättas med en annan typ. Fråga ett auktoriserat servicecenter avseende reparation.**
16. **Ta aldrig bort avsågade delar eller andra delar av arbetsstycket från arbetsområdet medan maskinen körs med ett oskyddat sågblad.**
17. **Utför aldrig sågning på frihand. Arbetsstycket måste fästas säkert mot geringskivan och anhålllet med tvingen under all drift. Håll aldrig fast arbetsstycket med handen.**

18. Kontrollera att maskinen är stabil före varje sågning.
19. Fäst maskinen på en arbetsbänk om det behövs.
20. Stöd långa arbetsstycken med lämpliga extrastöd.
21. Såga aldrig så små arbetsstycken att de inte kan fästas ordentligt med tvingen. Ett felaktigt fästsett arbetsstycke kan orsaka bakåtkast och allvarliga personsador.
22. Sträck dig aldrig runt sågbladet.
23. Stäng av verktyget och vänta tills sågbladet stannat innan du flyttar arbetsstycket eller ändrar inställningar.
24. Dra ur kontakten ur vägguttaget och/eller ta ur batteriet ur maskinen innan du byter sågblad eller utför underhåll.
25. Låsspinnen som låser såghuvudet på plats är endast avsedd att användas vid förvaring eller transport och inte för sågning.
26. Använd inte maskinen i närheten av lättantändliga vätskor eller gaser. När maskinen är igång kan den skapa en explosion och brand när den utsätts för lättantändliga vätskor eller gaser.
27. Använd endast flänsar avsedda för den här maskinen.
28. Var försiktig så att inte axeln, flänsarna (särskilt monteringsytan) eller bulten skadas. Skador på någon av dessa delar kan medföra att bladet förstörs.
29. Se till att bordet är ordentligt fäst, så att det inte rör sig under arbetet.
30. Avlägsna av säkerhetsskäl spån, småbitar etc. från bordets översida innan arbetet påbörjas.
31. Undvik att säga i spik. Kontrollera arbetsstycket och ta bort alla spikar före arbetet.
32. Se till att spindellåset är öppet innan strömbrytaren slås på.
33. Kontrollera att bladet inte vidrör bordet i dess lägsta position.
34. Håll stadigt i handtaget. Var uppmärksam på att sägen rör sig något upp och ned under start och stopp.
35. Se till att sågbladet inte är i kontakt med arbetsstycket innan du trycker på avtryckaren.
36. Låt verktyget vara igång en stund innan den används på arbetsstycket. Kontrollera att sågbladet inte vibrerar eller skakar vilket kan innebära att den är felaktigt monterad eller dåligt balanserad.
37. Vänta tills bladet når full hastighet innan du skär.
38. Stanna maskinen omedelbart om du lägger märke till något onormalt.
39. Försök inte att låsa avtryckaren i påslaget läge.
40. Var alltid uppmärksam, särskilt under upprepade, monotona arbeten. Låt dig inte invaggas i en falsk känsla av säkerhet. Sågblad är mycket farliga.
41. Använd alltid de tillbehör som rekommenderas i denna bruksanvisning. Opassande tillbehör som till exempel sliprondeller kan orsaka skada om de används.
42. Var försiktig vid spårsågning.
43. Visst damm som skapas vid användning innehåller kemikalier som kan orsaka cancer, födelsedefekter eller annan skada vid fortplantning. Några exempel på dessa kemikalier är:
 - bly från material målat med blybaserad färg och
 - arsenik och krom från kemiskt behandlat virke.
 Risken för exponering varierar beroende på hur ofta du utför denna typ av arbete. För att minska risken för exponering av dessa kemikalier: arbeta i ett välventilerat område och arbeta med godkänd säkerhetsutrustning som till exempel dammask vilken skapats speciellt för filtrering av mikroskopiska partiklar.
44. För att minska bullret, se alltid till att sågbladet är vasst och rengjort.
45. Att operatören är tillräckligt utbildad i användning, justering och drift av maskinen.

SPARA DESSA ANVISNINGAR.

⚠ VARNING: GLÖM INTE att strikt följa säkerhetsanvisningarna för maskinen efter att du blivit van att använda den. **OVARSAM** hantering eller användning som inte följer säkerhetsanvisningarna i denna bruksanvisning kan leda till allvarliga personsador.

Viktiga säkerhetsanvisningar för batterikassetten

1. Innan batterikassetten används ska alla instruktioner och varningsmärken på (1) batteriladdaren, (2) batteriet och (3) produkten läsas.
2. Montera inte isär batterikassetten.
3. Om drifttiden blivit avsevärt kortare ska användningen avbrytas omedelbart. Det kan uppstå överhettning, brännskador och t o m en explosion.
4. Om du får elektrolyt i ögonen ska de sköljas med rent vatten och läkare uppsöks omedelbart. Det finns risk för att synen förloras.
5. Kortslut inte batterikassetten.
 - (1) Rör inte vid polerna med något strömförande material.
 - (2) Undvik att förvara batterikassetten tillsammans med andra metallobjekt som t.ex. spikar, mynt o.s.v.
 - (3) Skydda batteriet mot vatten och regn. En batterikortslutning kan orsaka ett stort strömflöde, överhettning, brand och maskinhaveri.
6. Förvara inte maskinen och batterikassetten på platser där temperaturen kan nå eller överstiga 50 °C.
7. Bränn inte upp batterikassetten även om den är svårt skadad eller helt utsliten. Batterikassetten kan explodera i öppen eld.
8. Var försiktig så att du inte råkar tappa batteriet och utsätt det inte för stötar.

9. **Använd inte ett skadat batteri.**
10. **De medföljande litiumjonbatterierna är föremål för kraven i gällande lagstiftning för farligt gods.**
 För kommersiella transporter (av t.ex. tredje parter som speditorsfirmor) måste de särskilda transportkrav som anges på emballaget och etiketter iakttagas.
 För att förbereda den produkt som ska avsändas krävs att du konsulterar en expert på riskmaterial. Var också uppmärksam på att det i ditt land kan finnas ytterligare föreskrifter att följa.
 Tejpa över eller maskera blottade kontakter och packa batteriet på sådant sätt att det inte kan röra sig fritt i förpackningen.
11. **Följ lokala föreskrifter beträffande avfallshandling av batteriet.**

SPARA DESSA ANVISNINGAR.

⚠ FÖRSIKTIGT: Använda endast äkta Makita-batterier. Användning av oäkta Makita-batterier eller batterier som har manipulerats kan leda till person- och utrustningsskador eller till att batteriet fattar eld. Det upphäver också Makitas garanti för verktyget och laddaren.

Tips för att uppnå batteriets maximala livslängd

1. **Ladda batterikassetten innan den är helt urladdad. Stanna alltid maskinen och ladda batterikassetten när du märker att maskinen blir svagare.**
2. **Ladda aldrig en fulladdad batterikasset. Överladdning förkortar batteriets livslängd.**
3. **Ladda batterikassetten vid en rumstemperatur på 10 °C - 40 °C. Låt en varm batterikasset svalna innan den laddas.**
4. **Ladda batterikassetten om du inte har använt den på länge (mer än sex månader).**

BESKRIVNING AV DELAR

► Fig.1

1	Säkerhetsknapp	2	Avtryckare	3	Klinghölje	4	Inställningskruv (för nedre gränsläget)
5	Inställningsbult (för maximal sågningsskapacitet)	6	Stopparm	7	Dampmåse	8	Vinkelskala
9	Klingskydd	10	Vertikal tving	11	Anhåll	12	Hållare
13	Säkerhets spärr (för geringsskiva)	14	Handtag (för geringsskiva)	15	Inställningsbult (för geringsskiva)	16	Spårbädd
17	Pekare (för geringsvinkel)	18	Geringsskiva	-	-	-	-

► Fig.2

19	Skjutstång (övre)	20	Tumskruv (för att låsa övre skjutstången)	21	Insexnyckel	22	Låsskruv (för att låsa hållare)
23	Spak (för justering av geringsvinkel)	24	Skjutstång (undre)	25	Tumskruv (för att låsa nedre skjutstången)	-	-

INSTALLATION

Bänkmontage

⚠ VARNING: Se till att maskinen inte kan röra sig på stödytan. Om geringssågen rör sig på stödytan medan du sågar kan det leda till att du tappar kontrollen över maskinen och att allvarlig personskada uppstår.

1. Fäst basen på en jämn och stabil yta, med hjälp av två bultar. Detta förhindrar att maskinen välter och orsakar skada.

► Fig.3: 1. Bult

2. Vrid inställningsbulten medurs eller moturs så att den kommer i kontakt med golvytan, för att maskinen skall stå stabilt.

► Fig.4: 1. Inställningsbult

FUNKTIONSBESKRIVNING

⚠ VARNING: Se alltid till att maskinen är avstängd och att batterikassetten är borttagen innan du justerar eller kontrollerar funktionerna på maskinen. Om du inte stänger av maskinen och tar bort batterikassetten kan maskinen oavsiktligt starta, vilket kan leda till allvarlig personskada.

Montera eller demontera batterikassetten

⚠ FÖRSIKTIGT: Stäng alltid av maskinen innan du monterar eller tar bort batterikassetten.

⚠ FÖRSIKTIGT: Håll stadigt i maskinen och batterikassetten när du monterar eller tar bort batterikassetten. I annat fall kan det leda till att de glider ur dina händer och orsakar skada på maskinen och batterikassetten samt personskada.

► **Fig.5:** 1. Röd indikator 2. Knapp 3. Batterikasset

Ta bort batterikassetten genom att skjuta ner knappen på kassetterns framsida samtidigt som du drar ut batterikassetten.

Sätt i batterikassetten genom att rikta in tungan på batterikassetten mot spåret i höljet och skjut den på plats. Tryck in batterikassetten ordentligt tills den låser fast med ett klick. Om du kan se den röda indikatorn på knappens ovansida är den inte låst ordentligt.

⚠ FÖRSIKTIGT: Sätt alltid i batterikassetten helt tills den röda indikatorn inte längre syns.

I annat fall kan den oväntat falla ur maskinen och skada dig eller någon annan.

⚠ FÖRSIKTIGT: Montera inte batterikassetten med våld. Om kassetten inte lätt glider på plats är den felinsatt.

OBS: Maskinen fungerar inte med endast en batterikasset.


Skyddssystem för maskinen/ batteriet

Verktyget är utrustat med ett skyddssystem för verktyget/batteriet. Detta system bryter automatiskt strömmen till motorn för att förlänga verktygets och batteriets livslängd. Verktyget stoppar automatiskt under användningen om verktyget eller batteriet hamnar i en av följande situationer:

Överbelastningsskydd

Om maskinen används på ett sätt som gör att den drar onormalt mycket ström kan den stoppas automatiskt utan någon varning. När detta sker stänger du av maskinen och upphör med arbetet som gjorde att maskinen överbelastades. Starta därefter upp maskinen igen.

Överhettningsskydd

<input type="checkbox"/> på	<input checked="" type="checkbox"/> Blinkar
	

När maskinen blir överhettad stannar den av automatiskt och batteriindikatorn blinkar i cirka 60 sekunder. Låt maskinen svalna innan du startar den igen.








Överurladdningsskydd

När batteriets kapacitet är låg stoppar maskinen automatiskt. Om produkten inte fungerar trots att knapparna fungerar som de ska tar du bort batterierna från maskinen och laddar dem.

Indikerar kvarvarande batterikapacitet

► **Fig.6:** 1. Batteriindikator 2. Kontrollknapp

Tryck på kontrollknappen för att se kvarvarande batterikapacitet. Batteriindikeringarna motsvarar varje batteri.
















Batteriindikatorstatus			Kvarvarande batterikapacitet
 På	 Av	 Blinkar	
			50 % till 100 %
			20 % till 50 %
			0 % till 20 %
			Ladda batteriet

Indikerar kvarvarande batterikapacitet

Endast för batterikassetter med indikator

► **Fig.7:** 1. Indikatorlampor 2. Kontrollknapp



Tryck på kontrollknappen på batterikassetten för att se kvarvarande batterikapacitet. Indikatorlamporna lyser i ett par sekunder.

Indikatorlampor			Kvarvarande kapacitet
 Upplyst	 Av	 Blinkar	
			75% till 100%
			50% till 75%
			25% till 50%
			0% till 25%
			Ladda batteriet.
			Batteriet kan ha skadats.

OBS: Beroende på användningsförhållanden och den omgivande temperaturen kan indikationen skilja sig lätt från den faktiska batterikapaciteten.

Funktion för automatisk ändring av hastighet

► **Fig.8:** 1. Lägesindikator

Lägesindikatorstatus	Driftläge
	Höghastighetsläge
	Läge för högt vridmoment

Maskinen har ett höghastighetsläge och ett läge för högt vridmoment. Den ändrar automatiskt driftläge beroende på arbetsbelastningen. När lägesindikatorn tänds under drift är maskinen i läget för högt vridmoment.

Låstapp

⚠ FÖRSIKTIGT: Håll alltid i handtaget när du lossar på låstappen. Annars fjädrar handtaget upp vilket kan leda till personskada.

Ta bort låstappen genom att lätt tryck nedåt på handtaget samtidigt som du drar ur låstappen.

► **Fig.9:** 1. Låstapp

Klingskydd

⚠ VARNING: Blockera aldrig eller avlägsna klingskyddet eller den fjäder som är fäst på skyddet. I annat fall kan det leda till allvarlig personskada under användningen.

⚠ VARNING: Använd aldrig maskinen om klingskyddet eller fjädern är skadad, inte fungerar korrekt eller är borttagen. I annat fall kan det leda till allvarlig personskada.

⚠ FÖRSIKTIGT: Håll alltid klingskyddet i ett bra skick för säker användning. Avbryt arbete omedelbart om klingskyddet inte fungerar som det ska. Kontrollera även att fjädern gör att klingskyddet går tillbaka.

För maskiner med en frigöringsspak för klingskyddet

► **Fig.10:** 1. Klingskydd A 2. Klingskydd B

När handtaget sänks ned, höjs klingskydd A automatiskt. Klingskydd B lyfts när det kommer i kontakt med ett arbetsstycke. Klingskydden är försedda med en fjäder så att de går tillbaka till ursprungsläget när sågningen är avslutad och handtaget höjs.

För maskiner utan en frigöringsspak för klingskyddet

► **Fig.11:** 1. Klingskydd

När handtaget sänks ned, höjs klingskyddet automatiskt. Klingskyddet är försett med en fjäder så att det går tillbaka till ursprungsläget när sågningen är avslutad och handtaget höjs.

Rengöring

► **Fig.12:** 1. Klingskydd

Om det genomskinliga klingskyddet blir smutsigt, eller om sågsåpn fastnar på det så att klingan och/eller arbetsstycket inte längre syns bra, måste batterikassetten tas bort och skyddet rengöras noga med en fuktig trasa. Använd inte lösningsmedel eller petroleumbaseerade rengöringsmedel då det skadar plasten i skyddet. Rengör genom att lyfta på klingskyddet, se "Montering eller demontering av sågklinga". Se till att sätta tillbaka bladet och mitthöljet efter rengöring och dra åt insexbulten.

1. Säkerställ att maskinen är avstängd samt att batterikassetten har avlägsnats.
2. Vrid insexbulten som håller fast mitthöljet moturs med hjälp av den medföljande insexnyckeln.
3. Lyft på klingskyddet och mitthöljet.
4. När du har rengjort färdigt sätter du tillbaka mitthöljet och drar åt insexbulten genom att utföra ovanstående steg i omvänd ordning.

⚠ VARNING: Ta inte bort det fjäderupp-hängda klingskyddet. Om klingskyddet blir skadat p.g.a. UV-ljus eller genom slitage kontaktar du ett Makita servicecenter för att få ett nytt klingskydd. **KLINGSKYDDET FÅR ALDRIG BLOCKERAS ELLER TAS BORT.**

Inställning av spårbädd

Denna maskin är utrustad med spårbädden infälld i geringsskivan, för att göra slitaget vid utgången av sågningen så minimalt som möjligt. Spårbädden är fabriksinställd så att sågklingan inte kommer i kontakt med den. Ställ in spårbädden på följande sätt före användning:

1. Var noga med att ta ut batterikassetten. Lossa sedan alla skruvarna (2 skruvar vardera på vänster och höger sida) som håller fast spårbäddarna.

► **Fig.13:** 1. Spårbädd 2. Skruv

2. Dra endast åt dem så pass att spårbäddarna fortfarande lätt kan flyttas för hand.
3. Sänk ner handtaget helt och skjut in låstappen för att fästa handtaget i det nedsänkta läget.
4. Lossa de två låsskruvarna som håller skjutstängerna.

► **Fig.14:** 1. Tumskruv

5. Dra vagnen mot dig helt och hållet.
6. Justera spårbäddarna så att de precis vidrör sidorna på sågklingans tänder.

► **Fig.15**

► **Fig.16:** 1. Sågklinga 2. Bladtänder 3. Spårbädd 4. Vänster vinkelsåg 5. Rak vinkelsåg

7. Dra åt de främre skruvarna (dra inte åt hårt).
8. Skjut vagnen helt mot anhället och justera spårbäddarna så att de precis lätt vidrör sidorna på klingans sågtänder.
9. Dra åt de bakre skruvarna (dra inte åt hårt).
10. Dra ur låstappen och lyft handtaget efter att spårbäddarna justerats. Dra sedan åt alla skruvar ordentligt.

OBSERVERA: Försäkra dig om att spårbäddarna är korrekt justerade efter att du ställt in vinkeln för vinkelsågning. Korrekt justering av spårbäddarna ger ordentligt stöd för arbetsstycket och minimerar risken för att arbetsstycket nöts sönder.

Upprätthållande av maximal sågkapacitet

Denna maskin är fabriksinställd för maximal skärkapacitet för en 190 mm sågklinga.

När en ny klinga monteras måste klingans lägsta position alltid kontrolleras, och om det är nödvändigt justera den enligt följande:

1. Ta bort batterikassetten. Skjut sedan vagnen helt mot anhållet och sänk maskinhandtaget helt och hållet.

► **Fig.17:** 1. Inställningsbult 2. Anhåll

2. Använd insexnyckeln för att vrida på inställningsbulten tills sågbladet hamnar något nedanför anhållets tvärsektion och geringsskivans övre yta.

► **Fig.18**

3. Snurra på klingan för hand medan handtaget hålls ner fullständigt, och kontrollera att klingan inte kommer i kontakt med någon del av undre basplattan. Finjustera inställningen vid behov.

⚠FÖRSIKTIG: Efter monteringen av en ny klinga och med batterikassetten borttagen måste du alltid kontrollera att klingan inte går emot någon del av den undre basplattan när handtaget sänks ner helt. I annat fall kan det orsaka bakåtkast och resultera i allvarig personskada.

► **Fig.19**

Stopparm

Den lägsta positionen för klingan kan enkelt justeras med stopparmen. Justera höjden genom att först föra stopparmen i pilens riktning, såsom visas i figuren. Vrid på inställningskraven och tryck ner handtaget helt för att kontrollera resultatet.

► **Fig.20:** 1. Inställningskrav 2. Stopparm

Stödanhåll

Landsspecifik

⚠FÖRSIKTIG: När du utför vinkelsågning åt vänster ska du fälla hjälpslaget utåt. Annars kan stödanhållet komma i kontakt med klingan eller någon del av maskinen, vilket kan leda till allvariga skador på användaren.

► **Fig.21:** 1. Stödanhåll

Denna maskin är utrustad med ett stödanhåll. Stödanhållet ska vanligtvis vara placerat på insidan. Vid vinkelsågning åt vänster ska man emellertid fälla det utåt.

Justering av geringsvinkeln

► **Fig.22:** 1. Geringsskiva 2. Pekare 3. Geringsskala 4. Säkerhetsspärr 5. Handtag

1. Lossa handtaget genom att vrida det moturs.
2. Tryck och håll nere säkerhetsspärr, och justera vinkeln för geringsbordet. Använd pekaren och geringsskalan som vägvisning.
3. Dra åt handtaget genom att vrida det medurs.

⚠FÖRSIKTIG: Fäst alltid geringsskivan genom att dra åt handtaget ordentligt efter ändringen av geringsvinkeln.

OBSERVERA: Lyft handtaget maximalt när geringsskivan vrids.

Justering av vinkeln vid vinkelsågning

För att ändra vinkeln för vinkelsågning, lossar du spaken på maskinens baksida genom att dra den moturs.

► **Fig.23:** 1. Spak 2. Frigöringsknapp

För att luta bladet till vänster håller du ner handtaget och lutar vagnen. Använd geringsskalan och pekaren som vägvisning. Dra sedan åt spaken medurs ordentligt för att fästa armen.

► **Fig.24:** 1. Pekare 2. Vinkelskala 3. Arm

För att luta bladet till höger håller du ner handtaget och lutar vagnen lätt till vänster, och trycker sedan ner frigöringsknappen. Luta sedan sågklingan åt höger medan låsknappen är intryckt. Dra sedan åt spaken.

⚠FÖRSIKTIG: Fäst alltid armen genom att dra åt spaken medurs efter ändringen av vinkeln för vinkelsågning.

OBSERVERA: Lyft handtaget maximalt när sågklingan lutas.

OBSERVERA: Vid ändring av vinkeln för vinkelsågning måste spårbädden ställas in ordentligt såsom beskrivits i avsnittet "Inställning av spårbäddar".

Inställning av spakens läge

Om spaken med tiden inte drar åt ordentligt ändrar du spakens position. Spaken kan omplaceras vid varje 30°-vinkel.

Lossa och ta bort skruven som fäster spaken. Ta bort spaken och montera den på nytt så att den pekar lätt ovanför horisontalplanet. Fäst sedan spaken med skruven ordentligt.

► **Fig.25:** 1. Spak 2. Skruv

Avtryckarens funktion

⚠️ VARNING: Innan du sätter i batterikassetten i maskinen ska du alltid kontrollera att avtryckaren fungerar och återgår till läget "OFF" när du släpper den. Om du använder en maskin med ett en avtryckare som inte aktiveras korrekt kan det leda till förlorad kontroll och allvarlig personskada.

⚠️ VARNING: Använd inte ett läs med en "nacke" eller kabel som är smalare än 6,35 mm i diameter. En smalare "nacke" eller kabel läser eventuellt inte maskinen i off-läget och oavsiktlig aktivering kan uppstå vilket resulterar i allvarlig personskada.

⚠️ VARNING: Använd ALDRIG maskinen om inte avtryckaren fungerar korrekt. Att använda maskinen när inte avtryckaren fungerar är MYCKET FARLIGT. Reparera den före fortsatt användning eftersom det annars kan orsaka allvarlig personskada.

⚠️ VARNING: Denna maskin är utrustad med en säkerhetsknapp som förhindrar oavsiktlig start. Använd ALDRIG maskinen om den startar när du trycker på avtryckaren utan att ha tryckt in säkerhetsknappen. I annat fall kan det orsaka oavsiktlig aktivering och allvarlig personskada. Returnera maskinen till ett MAKITA servicecenter för reparation INNAN du fortsätter att använda den.

⚠️ VARNING: Blockera ALDRIG säkerhetsknappen genom att tejpa fast den eller på andra sätt. I annat fall kan det orsaka oavsiktlig aktivering och allvarlig personskada.

OBSERVERA: Tryck inte in avtryckaren hårt utan att ha tryckt in säkerhetsknappen. Det kan skada avtryckaren.

För maskiner med en frigöringsspak för klingskyddet

En säkerhetsknapp förhindrar oavsiktlig aktivering av avtryckaren. Skjut upp spaken, tryck in säkerhetsknappen och aktivera sedan avtryckaren för att starta maskinen. Släpp avtryckaren för att stanna.

Säkerhetsknappen kan tryckas in antingen från höger eller vänster sida.

Avtryckaren är försedd med ett hål för insättning av ett hänaglås för att låsa maskinen.

► **Fig.26:** 1. Frigöringsspak för klingskydd 2. Avtryckare 3. Säkerhetsknapp 4. Hål för hänaglås

För maskiner utan en frigöringsspak för klingskyddet

En säkerhetsknapp förhindrar oavsiktlig aktivering av avtryckaren. Tryck in säkerhetsspärren och tryck därefter in avtryckaren för att starta maskinen. Släpp avtryckaren för att stanna.

Säkerhetsknappen kan tryckas in antingen från höger eller vänster sida.

Avtryckaren är försedd med ett hål för insättning av ett hänaglås för att låsa maskinen.

► **Fig.27:** 1. Säkerhetsknapp 2. Avtryckare 3. Hål för hänaglås

MONTERING

⚠️ VARNING: Se alltid till att maskinen är avstängd och att batterikassetten är borttagen innan du utför arbete på maskinen. I annat fall kan det orsaka allvarlig personskada.

Förvaring av insexnyckel

Insexnyckeln förvaras på det sätt som framgår av bilden. När insexnyckeln behöver användas kan den dras ut ur dess hållare.

Efter användningen kan du förvara insexnyckeln i dess hållare igen.

► **Fig.28:** 1. Nyckelhållare 2. Insexnyckel

Montering eller borttagning av sågblad

⚠️ VARNING: Se alltid till att maskinen är avstängd och att batterikassetten är borttagen innan du monterar eller tar bort sågklingan. Oavsiktlig start av maskinen kan leda till allvarlig personskada.

⚠️ FÖRSIKTIGT: Använd endast medföljande insexnyckel från Makita för att montera eller demontera klingan. Annars kan det leda till att sexkantsbulten dras åt för hårt eller för löst. Detta kan leda till personskada.

Ta bort sågklingan genom att utföra följande:

1. Läs handtaget i det upphöjda läget genom att skjuta in låstappen.

► **Fig.29:** 1. Låstapp

2. Använd sedan hylsnyckeln för att lossa på insexbulten som håller mitthöljet på plats genom att vrida den moturs. Lyft på klingskyddet och mitthöljet.

► **Fig.30:** 1. Mitthölje 2. Insexbult 3. Insexnyckel 4. Klingskydd

3. Tryck på spindellåset för att låsa spindeln och använd insexnyckeln för att lossa på insexbulten genom att vrida den medurs. Ta sedan bort insexbulten från spindeln, den yttre flänsen och klingan.

► **Fig.31:** 1. Spindellås 2. Insexbult 3. Yttre fläns

4. Om den inre flänsen tas bort, montera den på spindeln med dess bladmonteringsdel vänd mot klingan. Om flänsen inte monteras korrekt kommer den att skava mot maskinen.

► **Fig.32:** 1. Yttre fläns 2. Sägklinga 3. Innerfläns 4. Insexbult (vänstergång) 5. Spindel 6. Bladmonteringsdel

Montera sågklingan genom att utföra följande:

1. Montera bladet försiktigt på innerflänsen. När sågklingan monteras är det viktigt att se till att pilens riktning på klingans yta stämmer överens med pilens riktning på klingans kåpa.

► **Fig.33:** 1. Sägklinga 2. Pil

2. Montera den yttre flänsen och insexbulten, och använd sedan insexnyckeln för att dra åt insexbulten (vänstergångad) ordentligt moturs medan du håller in spindellåset.
3. Sätt tillbaka klingskyddet och mitthölet i dess ursprungliga läge. Dra sedan åt insexbulten medurs för att fästa mitthölet.
4. Släpp handtaget från upplyft läge genom att dra ut låstappen. Sänk ner handtaget för att försäkra dig om att klingskyddet fungerar som det ska.
5. Kontrollera att spindellåset inte längre låser fast spindeln innan du börjar säga.

För maskin med en inre fläns som är avsedd för ett sågblad med en 15,88 mm håldiameter

Landsspecifik

Montera den inre flänsen med dess försänkta sida riktad utåt på monteringsaxeln och sätt sedan sågbladet (med insatsringen monterad om så krävs), den yttre flänsen och sexkantsbulten på plats.

För verktyg utan insatsring

- **Fig.34:** 1. Yttre fläns 2. Sägklinga 3. Innerfläns
4. Insexbult (vänstergångad) 5. Spindel

För verktyg med insatsring

- **Fig.35:** 1. Yttre fläns 2. Sägklinga 3. Inre fläns
4. Insexbult (vänstergångad) 5. Ring
6. Spindel

⚠ VARNING: Om insatsringen behövs för att montera klingan på spindeln ska du alltid se till att korrekt insatsring för axelhålet på den klinga du ska använda monteras mellan den inre och den yttre flänsen. Att använda fel insatsring för axelhålet kan leda till felaktig montering av klingan, vilket orsakar förflyttning av klingan och ger allvarliga vibrationer. Detta kan leda till att du förlorar kontrollen under användning, vilket kan orsaka allvarliga personskador.

För maskin med en inre fläns som är avsedd för sågblad med en annan än 20 mm eller 15,88 mm håldiameter

Landsspecifik

Den inre flänsen har en bladmonteringsdel med en viss diameter på ena sidan av den och en annan bladmonteringsdel med en viss diameter på den andra sidan. Välj den korrekta sidan där bladmonteringsdelen passar in perfekt i hålet i sågbladet.

- **Fig.36:** 1. Yttre fläns 2. Sägklinga 3. Innerfläns
4. Insexbult (vänstergångad) 5. Spindel
6. Bladmonteringsdel

⚠ FÖRSIKTIGT: Se till att bladmonteringsdelen "a" på den inre flänsen som är placerad utåt passar in perfekt i hål "a" i sågbladet. Att montera sågbladet på fel sida kan resultera i farliga vibrationer.

Damppåse

Valfria tillbehör

Användning av damppåsen ger ett renare sågarbete och förenklar uppsamlingen av damm.

Anslut damppåsen på munstycket för dammkast. För att fästa klämman riktar du in överdelen på klämman med triangelmarkeringen på damppåsen.

Ta bort damppåsen från maskinen när den är cirka halvfyll och dra ut plastlåset. Töm dammsugarpåsen på dess innehåll och knacka på den lätt för att ta bort partiklar som har fastnat på insidan, vilka kan hindra fortsatt uppsamling.

- **Fig.37:** 1. Damppåse 2. Dammunstycke 3. Plastlås

OBS: Du kan få renare under arbetet om du ansluter en dammsugare till sågen.

Fastsättning av arbetsstycke

⚠ VARNING: Det är ytterst viktigt att alltid fästa arbetsstycket korrekt med rätt typ av tving. I annat fall kan det leda till allvarlig personskada och orsaka skada på maskinen och/eller arbetsstycket.

⚠ VARNING: När du sågar ett arbetsstycke som är längre än sågens stödyta ska hela arbetsstycket stödjas, även den del som befinner sig utanför sågens stödyta, samt på samma höjd för att vara i nivå. Detta för att undvika att klingan nyper fast och ett eventuellt bakåtkast vilket kan leda till allvarlig personskada. Lita inte helt på att en vertikal och/eller horisontal tving ensam kan hålla fast arbetsstycket. Tunna material kan tyngas ner. Stötta hela arbetsstyckets längd för att undvika att klingan nyper fast och eventuellt orsakar ett BAKÅTKAST.

- **Fig.38:** 1. Stöd 2. Geringsskiva

Vertikal tving

⚠ VARNING: Fäst arbetsstycket ordentligt mot geringsskivan och anhållet med tvingen under all drift. Annars kan materialet röra sig under sågning, orsaka skador på sågklingan och kastas iväg, vilket kan leda till förlorad kontroll och allvarliga personskador.

Montera den vertikala tvingen på antingen vänster eller höger sida om anhållet eller hållarsatsen (valfritt tillbehör). Sätt i tvingens fäststav i hålet på anhållet eller hållarsatsen och dra åt skruven för att fästa tvingens fäststav.

- **Fig.39:** 1. Tvingarm 2. Tvingens fäststav 3. Anhåll
4. Hållare 5. Hållaruppsättning 6. Tvingens ratt 7. Nedre skruv 8. Övre skruv

Sätt tvingarmen i läge så att den passar till arbetsstyckets tjocklek och form och fäst den sedan genom att dra åt låsskruven. Om den övre skruven kommer i kontakt med anhållet, måste den övre skruven monteras på den andra sidan av tvingarmen. Se till att ingen del av maskinen kommer i kontakt med tvingen när maskinhandtaget sänks till sin lägsta position eller när vagnen skjuts framåt eller dras bakåt hela vägen. Om någon del kommer i kontakt med tvingen monterar du om den. Tryck arbetsstycket plant mot anhållet och geringsskivan. Placera arbetsstycket i önskat sågläge och fäst det stadigt genom att dra åt tvingens ratt.

Horisontell tving

Valfria tillbehör

⚠ VARNING: Fäst endast arbetsstycket när indikatorn är i sitt översta läge. I annat fall kan det resultera i att arbetsstycket inte fästs tillförlitligt. Detta kan leda till att arbetsstycket kastas iväg, orsakar skada på klingan eller att kontrollen över maskinen förloras, vilket kan leda till personskador.

- **Fig.40:** 1. Tvingens ratt 2. Indikator 3. Tvingaxel 4. Sägbord

Den horisontala tvingen kan monteras antingen på vänster eller höger sida av sågbordet. Om du vrider tvingens ratt moturs frigörs skruven och tvingaxeln kan sedan snabbt föras in eller dras ut. Om du vrider tvingens ratt medurs fästs skruven. Fäst arbetsstycket genom att försiktigt skruva in tvingens ratt medurs tills indikatorn når sitt yttersta läge, och fäst därefter ordentligt. Om tvingens ratt tvingas in eller dras ut medan den skruvas medurs, kan indikatorn fastna i en vinkel. I detta fall skall du vrida tvingens ratt tillbaka moturs tills skruven frigörs, innan du på nytt skruvar in den försiktigt medurs. Maxkapaciteten för den horisontella tvingen är 120 mm brett.

Hållare och hållarsats

Valfria tillbehör

⚠ VARNING: Stöd alltid ett långt arbetsstycke så att det är på samma nivå som geringsskivans ovansida för att få ett exakt sågresultat och för att förhindra att du förlorar kontrollen över maskinen. Detta för att undvika att klingan nyper fast och ett eventuellt bakåtkast vilket kan leda till allvarlig personskada.

Hållarna och hållarsatsen (valfritt tillbehör) kan monteras på endera sidan, för att på ett bekvämt sätt stötta arbetsstycket horisontellt. Montera dem på sidan av maskinen och dra sedan åt skruvarna för att fästa dem.

- **Fig.41:** 1. Hållare 2. Hållaruppsättning

Använd stånghållarsatsen (valfritt tillbehör) vid sågning av långa arbetsstycken. Den består av två hållarsatser och två stänger av typ 12.

- **Fig.42:** 1. Hållaruppsättning 2. Stång av typ 12

ANVÄNDNING

⚠ VARNING: Kontrollera att inte klingan är i kontakt med arbetsstycket eller något annat innan sågen sätts på. I annat fall kan det leda till bakåtkast och allvarlig personskada.

⚠ VARNING: Lyft aldrig klingan förrän den har stannat helt efter sågningen. I annat fall kan det leda till allvarlig personskada och skada på arbetsstycket.

⚠ VARNING: Rör inte låsskruvarna som fäster skjutstängens medan sågbladet roterar. I annat fall kan maskinen tappa kontrollen vilket kan leda till personskador.

OBSERVERA: Se till att lösgöra handtaget från dess nedsänkta läge genom att dra ut låstappen.

OBSERVERA: Tryck inte för mycket på handtaget vid kapningen. Detta kan leda till att motorn överbelastas och/eller försämrad sågning. Tryck endast ner handtaget så mycket som behövs för att sågningen ska löpa smidigt utan att sågklingans hastighet minskar signifikant.

OBSERVERA: Tryck försiktigt ner handtaget för att säga. Om handtaget trycks ner hårt eller i sidled kommer klingan att vibrera vilket ger sågmärken i arbetsstycket samtidigt som sågprecisionen försämrar.

OBSERVERA: Vid skjutsågning skall vagnen försiktigt skjutas mot anhållet utan att stoppa. Om vagnens rörelser upphör under sågningen kan ett märke lämnas på arbetsstycket och precisionen i snittet minskar.

Sågning genom tryck (sågning av små arbetsstycken)

⚠ VARNING: Dra åt de två låsskruvarna ordentligt (medurs) som fäster skjutstängerna, så att vagnen inte rör sig under användningen. I annat fall kan det leda till bakåtkast vilket kan orsaka allvarlig personskada som följd.

- **Fig.43**

Arbetsstycken som är upp till 52 mm höga och 97 mm breda kan sägas på följande sätt.

1. Tryck vagnen fullständigt mot anhållet och dra åt de två låsskruvarna som fäster skjutstängerna medurs, för att fästa vagnen.
2. Fäst arbetsstycket med rätt sorts tving.
3. Starta maskinen utan att klingan har kontakt med arbetsstycket och vänta tills klingan har uppnått full hastighet innan du sänker den.
4. Sänk sedan handtaget försiktigt tills det har sänkts helt, för att säga arbetsstycket.
5. Stång av maskinen när sågningen är avslutad och vänta tills klingan har stannat helt, innan klingan återförs till sitt helt uppfällda läge.

Sågning genom skjutning (sågning av breda arbetsstycken)

⚠ VARNING: Vid skjutsågning ska du först dra vagnen fullständigt mot dig och trycka ner handtaget till dess helt nedsänkta läge. Skjut sedan vagnen mot anhället. Börja aldrig sågningen om vagnen inte är dragen fullständigt mot dig. Om skjutsågning utförs utan att du dragit vagnen helt mot dig kan ett bakåtkast uppstå med risk för allvarlig personskada.

⚠ VARNING: Försök aldrig att utföra en skjutsågning genom att dra vagnen mot dig. Att dra vagnen mot dig medan du sågar kan orsaka bakåtkast vilket resulterar i möjlig personskada.

⚠ VARNING: Utför aldrig skjutsågning med handtaget låst i det nedsänkta läget.

⚠ VARNING: Lossa aldrig på vredet som fäster vagnen medan klingan roterar. Om vagnen är lös medan du sågar kan det orsaka ett bakåtkast vilket kan resultera i allvarlig personskada.

► Fig.44

1. Lossa de två låsskruvarna (moturs) som fäster skjutstängerna så att vagnen kan glida fritt.
2. Fäst arbetsstycket med rätt sorts tving.
3. Dra vagnen mot dig helt och hållet.
4. Starta maskinen utan att klingan vidrör arbetsstycket och vänta tills klingan uppnår full hastighet.
5. Tryck ner handtaget och **skjut vagnen mot anhället och genom arbetsstycket.**
6. Stäng av maskinen när sågningen är avslutad och **vänta tills klingan har stannat helt**, innan klingan återförs till sitt helt uppfällda läge.

Geringssågning

Se avsnittet "Inställning av geringsvinkeln" som förklarats tidigare.

Vinkelsågning

⚠ VARNING: Efter inställning av klingan för vinkelsågning och innan du börjar arbeta med maskinen, ska du se till att vagnen och klingan har fri väg genom hela skäret. Vagns- eller klingavbrott under sågningen kan orsaka bakåtkast och allvarlig personskada.

⚠ VARNING: Håll händerna borta från klingans såglinje när du utför en vinkelsågning. Klingans vinkel och den verkliga såglinjen kan förvirra användaren under sågningen och kontakt med klingan orsakar allvarlig personskada.

⚠ VARNING: Klingan ska aldrig lyftas förrän den har stannat helt. Under vinkelsågning kan det avsågade stycket ligga kvar mot klingan. Om klingan lyfts upp medan den roterar kan det avsågade stycket kastas ut av klingan och orsaka att material fragmenteras vilket kan resultera i allvarlig personskada.

⚠ FÖRSIKTIGT: (Endast maskiner med stödanhåll) Placera alltid stödanhållet på utsidan när du utför vinkelsågningar åt vänster.

► Fig.45

1. Lossa spaken och luta sågklingan till den önskade vinkeln (se avsnittet "Inställning av vinkeln för vinkelsågning" som beskrivits tidigare). Se till att spaken dras åt ordentligt för att fästa sågen säkert i den valda vinkeln.
2. Fäst arbetsstycket med en tving.
3. Dra vagnen mot dig helt och hållet.
4. Starta maskinen utan att klingan vidrör arbetsstycket och vänta tills klingan uppnår full hastighet.
5. Sänk sedan handtaget försiktigt till dess helt nedsänkta läge medan tryck parallellt med klingan appliceras och **skjut vagnen mot anhället för att såga arbetsstycket.**
6. Stäng av maskinen när sågningen är avslutad och **vänta tills klingan har stannat helt**, innan klingan återförs till sitt helt uppfällda läge.

⚠ OBSERVERA: När du trycker ner handtaget ska du trycka i samma riktning som klingan lutar. Om tryck appliceras vinkelrätt mot geringsskivan eller om tryckets riktning ändras under pågående sågning minskar precisionen i sågningen.

Kombinationssågning

Kombinationssågning är en process där vinkelsågning utförs i kombination med ett geringsvinkel sågas i ett arbetsstycke. Kombinationssågning kan utföras vid vinkel som visas i tabellen nedan.

Geringsvinkel	Vinkel för vinkelsågning
Vänster och höger 45°	Vänster 0° - 45°
Höger 50°	Vänster 0° - 40°
Höger 55°	Vänster 0° - 30°
Höger 57°	Vänster 0° - 25°

Se avsnittet "Sågning genom tryck", "Sågning genom skjutning", "Geringssågning" och "Vinkelsågning" när du vill utföra kombinationssågning.

Sågning av kron- och hållister

Kron- och hållister kan sågas på en kap- och geringskombinationssåg med listerna placerade plant på geringsskivan.

Det finns två vanliga sorter av kronlister och en sort av hållist; 52/38° väggvinklad kronlist, 45° väggvinklad kronlist och 45° väggvinklad hållist.

► **Fig.46:** 1. Kronlist med 52/38° 2. Kronlist med 45° 3. Hållist med 45°

Det finns kron- och hållistskarvar som är gjorda för att passa på "insidan" av 90° hörn ((a) och (b) i figuren) och "utsidan" av 90° hörn ((c) och (d) i figuren).

► **Fig.47:** 1. På insida av hörn 2. På utsida av hörn

► **Fig.48:** 1. På insida av hörn 2. På utsida av hörn

Mätning

Mät väggens bredd och justera arbetsstyckets bredd enligt den. Se alltid till att bredden på arbetsstyckets väggkontaktyta är lika lång som väggens bredd.

► **Fig.49:** 1. Arbetsstycke 2. Väggens bredd 3. Arbetsstyckets bredd 4. Vägghöjd

Använd alltid flera bitar för testsågning för att kontrollera såginkeln.

Vid sågning av kron- och hållister ska vinkeln för vinkelsågning och geringsvinkeln ställas in såsom anges i tabell (A) och listerna placeras på sågbordet såsom visas i tabell (B).

Vid vänsterställd vinkelsågning

► **Fig.50:** 1. På insida av hörn 2. På utsida av hörn

Tabell (A)

-	Listposition i figuren	Vinkel för vinkelsågning		Geringsvinkel	
		52/38°-typ	45°-typ	52/38°-typ	45°-typ
För insida av hörn	(a)	Vänster 33,9°	Vänster 30°	Höger 31,6°	Höger 35,3°
	(b)			Vänster 31,6°	Vänster 35,3°
För utsidan av hörn	(c)			Höger 31,6°	Höger 35,3°
	(d)				

Tabell (B)

-	Listposition i figuren	Listkant mot anhållet	Färdigt stycke
För insida av hörn	(a)	Takkkontaktyta bör ligga mot anhållet.	Det färdiga arbetsstycket hamnar på vänster sida om klingan.
	(b)	Vägghöjd bör ligga mot anhållet.	Det färdiga arbetsstycket hamnar på höger sida om klingan.
För utsidan av hörn	(c)	Takkkontaktyta bör ligga mot anhållet.	Det färdiga arbetsstycket hamnar på höger sida om klingan.
	(d)	Takkkontaktyta bör ligga mot anhållet.	Det färdiga arbetsstycket hamnar på vänster sida om klingan.

Exempel:

Vid sågning av kronlist med 52/38° för position (a) i figuren ovan:

- Luta och fäst vinkeln vid 33,9° LEFT (VÄNSTER).
- Justera och fäst geringsvinkeln vid 31,6° RIGHT (HÖGER).
- Lägg kronlisten med dess breda baksida (dold) ner mot geringskivan med TAKKANTEN mot anhållet på sågen.
- Den färdiga biten som ska användas är alltid på VÄNSTER sida om klingan efter det att sågningen är avslutad.

Sågning av aluminiumstycken

► **Fig.51:** 1. Tvång 2. Distanskloss 3. Anhåll 4. Aluminiumstycke 5. Distanskloss

Använd klossar eller träbitar när ett aluminiumstycke skall fästas, såsom visas i figuren, för att förhindra att aluminiumstycket deformeras. Använd sågolja vid sågningen i aluminium, för att förhindra att aluminiummaterialet fastnar och lagras på klingan.

⚠ FÖRSIKTIGT: Försök aldrig såga tjocka eller runda aluminiumstycken. Tjocka aluminiumstycken kan lossna under pågående sågarbete och runda aluminiumstycken kan inte fästas ordentligt med denna maskin.

Träskoning

⚠ VARNING: Använd skruvar för att fästa träskoning på anhållet. Skruvarna ska fästas så att skruvhuvudena är placerade lägre än träskoningens yta, så att de inte påverkar läget för det material som ska sågas. Felaktig inriktning av materialet som ska sågas kan orsaka oväntad rörelse under sågarbetet vilket kan leda till att du förlorar kontrollen och orsaka allvarig personskada.

⚠ FÖRSIKTIGT: Använd ett rakt trästycke av jämn tjocklek som skoning.

Skoning med trä hjälper till att ge en stickfri sågning av arbetsstycken. Sätt fast en träskoning på anhållet med hjälp av hälen i anhållet.

I figuren visas dimensionerna på föreslagen träskoning.

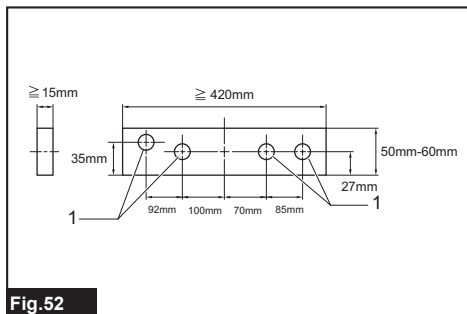


Fig.52

► **Fig.52:** 1. Hål

OBSERVERA: Vrid inte på geringskivan när träskoning sitter på och handtaget är nedsänkt. Detta skadar klingan och/eller träskoning.

Upprepad sågning av samma längder

Använd fixeringsplattan (valfritt tillbehör) vid sågning av flera stycken i samma längd inom ett storleksområde på mellan 220 mm till 385 mm. Montera fixeringsplattan på hållaren (valfritt tillbehör) enligt figuren.

► **Fig.53:** 1. Fixeringsplatta 2. Hållare 3. Skruv

Rikta in såglinjen på arbetsstycket antingen till vänster eller till höger om spåret i spårbädden, och medan arbetsstycket hålls fast i läget, justera fixeringsplattan så att den ligger an mot arbetsstyckets ände. Skruva sedan fast fixeringsplattan.

När den inte används lossar du skruven och vrider undan fixeringsplattan så att den inte är i vägen.

OBS: Genom att använda stånghållarsatsen (valfritt tillbehör) kan upprepad sågning göras i längder på upp till cirka 2 200 mm.

Spårsågning

⚠ VARNING: Försök inte utföra denna typ av sågning genom att använda en bredare (tjockare) klinga eller en dadoklinga. I annat fall kan det leda till oväntade sågresultat och möjligt bakåtkast vilket kan resultera i allvarlig personskada.

⚠ VARNING: Se noga till att stopparmen återförs till det ursprungliga läget vid annan sågning än spårsågning. Att försöka såga med stopparmen i fel läge kan leda till oväntade sågresultat och bakåtkast vilket kan resultera i allvarlig personskada.

Gör följande för sågning med dadoklinga:

1. Justera klingans lägsta position genom att vrida på inställningsskruven och stopparmen för att ställa in klingans sågdjup. Se avsnittet "Stopparm" som beskrivits tidigare.
2. Såga parallella spår tvärs över arbetsstycket hela bredd genom skjutsågning (trycksågning), efter att klingans nedre gränsläge justerats.
► **Fig.54:** 1. Fräs spår med klingan
3. Avlägsna sedanmaterialet mellan spåren på arbetsstycket med ett stämjärn.

Bära maskinen

⚠ VARNING: Låstappen används endast när maskinen ska transporteras och förvaras. Aldrig under sågarbeten. Att använda låstappen vid sågarbeten kan leda till oavsiktlig rörelse av sågklingan vilket orsakar bakåtkast och allvarlig personskada.

⚠ FÖRSIKTIGT: Fäst alltid alla rörliga delar innan du bär maskinen. Om delar av maskinen rör sig eller glider medan du bär den kan du förlora kontrollen eller balansen över maskinen vilket kan leda till personskada.

► **Fig.55**

1. Ta bort batterikassetten.
2. Fäst klingan vid 0° vinkel för vinkelsågning och vrid geringsskivan helt mot höger geringsvinkel.
3. Fäst skjutstängerna så att den nedre skjutstängens är låst i vagnsläget och helt dragen mot användaren, och de övre skjutstängerna är låsta i vagnsläget och helt skjutna mot anhället.
4. Sänk ned handtaget helt och lås det i nedsänkt läge genom att skjuta in låstappen.
5. Bär maskinen genom att hålla i båda sidorna av sågbordet. Om hållare, dammpåse etc. tas bort går det lättare att bära maskinen.

UNDERHÅLL

⚠ VARNING: Se alltid till att klingan är vass och ren för att få ett så bra och säkert resultat som möjligt. Att försöka såga med en slö och/eller smutsig klinga kan orsaka bakåtkast och resultera i allvarlig personskada.

⚠ FÖRSIKTIGT: Se alltid till att maskinen är avstängd och batterikassetten borttagen innan inspektion eller underhåll utförs.

OBSERVERA: Använd inte bensen, förtunningsmedel, alkohol eller liknande. Missfärgning, deformation eller sprickor kan uppstå.

Inställning av sågvinkeln

Maskinen är noga inställd och inriktad på fabriken, men ovarsam hantering kan påverka detta. Om maskinen inte är korrekt riktad gör du på följande sätt:

Geringsvinkel

1. Skjut vagnen fullständigt mot anhället och dra åt de två låsskruvarna för att fästa vagnen.
2. Vrid geringsskivan tills pekaren indikerar 0° på geringsskalan.
3. Vrid sedan geringsskivan en aning medurs och moturs för att sätta geringsskivan i hacket för 0° geringsvinkel. (Lämna det som det är om pekaren inte indikerar 0°.)
4. Lossa insexbulten som fäster anhället med insexnyckeln.
► **Fig.56:** 1. Anhåll 2. Insexbult
5. Sänk ned handtaget helt och lås det i nedsänkt läge genom att skjuta in låstappen.
6. Justera klingans sida och anhällets framsida i rät vinkel med en vinkelhake, vinkellinjal etc. Dra sedan åt insexbulten som håller anhället ordentligt, i ordning med start från höger sida.
► **Fig.57:** 1. Vinkelhake
7. Kontrollera att pekaren indikerar 0° på geringsskalan. Om pekaren inte pekar på 0° lossar du skruven som fäster pekaren och justerar pekaren så att den indikerar 0°.
► **Fig.58:** 1. Skruv 2. Geringsskala 3. Pekare

Vinkel för vinkelsågning

0° vinkel för vinkelsågning

► **Fig.59:** 1. Spak 2. Armhållare 3. Inställningsbult för 0°-vinkel 4. Arm 5. Frigöringsknapp

1. Skjut vagnen fullständigt mot anhället och dra åt de två låsskruvarna för att fästa vagnen.
2. Sänk ned handtaget helt och lås det i nedsänkt läge genom att skjuta in låstappen.
3. Lossa spaken på maskinens baksida.
4. Vrid inställningsbulten (nedre bulten) för 0°-vinkel för vinkelsågning på den högra sidan av armen två eller tre varv moturs för att luta klingan till höger.

5. Vrid inställningsbulten för 0°-vinkel för vinkelsågning försiktigt moturs tills sidan av klingan är i en vinkelrät vinkel med övre ytan av geringsskivan. Använd vinkelhaken, vinkelinjalen etc. som vägvisning. Dra sedan åt spaken ordentligt.

► **Fig.60:** 1. Vinkelhake 2. Sägklinga
3. Geringsskivans övre yta

6. Kontrollera att pekaren på armen indikerar 0° på vinkelskalan. Om pekaren inte pekar på 0° lossar du skruven som fäster pekaren och justerar pekaren så att den indikerar 0°.

► **Fig.61:** 1. Vinkelskala 2. Pekare 3. Skruv

45° vinkel för vinkelsågning

► **Fig.62:** 1. Inställningsbult för 45°-vinkel för vinkelsågning

Justera 45°-vinkeln för vinkelsågning först efter att ha justerat 0°-vinkeln för vinkelsågning.

1. Lossa på spaken och luta klingan helt till vänster.
2. Kontrollera att pekaren på armen indikerar 45° på vinkelskalan. Vrid inställningsbulten för 45° vinkelsågning (övre bulten) på armens högra sida, om pekaren inte indikerar 45°, tills den indikerar 45°.

Efter användning

Ta bort de spån och det damm som har fastnat på maskinen med en tygduk eller liknande efter att arbetet är avslutat. Se till att du håller klingskyddet rent, i enlighet med de anvisningar som tidigare beskrivits i avsnittet med titeln "Klingskydd". Smörj in de rörliga delarna med maskinolja för att förhindra rostbildning.

Dra vagnen fullständigt mot dig när maskinen skall ställas undan för förvar så att skjutstången är helt inskjuten i geringsskivan.

För att upprätthålla produktens SÄKERHET och TILLFÖRLITLIGHET bör allt underhålls- och justeringsarbete utföras av ett auktoriserat Makita servicecenter och med reservdelar från Makita.

VALFRIA TILLBEHÖR

⚠ VARNING: Dessa tillbehör eller tillsatser från Makita rekommenderas för användning med den Makita-maskin som denna bruksanvisning avser. Om andra tillbehör eller tillsatser används kan det resultera i allvarlig personskada.

⚠ VARNING: Använd endast tillbehören eller tillsatserna från Makita för de syfte de är avsedda för. I annat fall kan det leda till allvarlig personskada.

Kontakta ditt lokala Makita servicecenter om du behöver ytterligare information om dessa tillbehör.

- Sägklinga med hårdmetallspetsar
- Tvingsats (Horisontal tving)
- Vertikal tving
- Hållaruppsättning
- Stånghållarsats
- Fixeringsplatta
- Dammpåse

- Vinkelhake
- Insexnyckel
- Makitas originalbatteri och -laddare

OBS: Några av tillbehören i listan kan vara inkluderade i maskinpaketet som standardtillbehör. De kan variera mellan olika länder.

TEKNISKE DATA

Modell:	DLS714	
Bladdiameter	190 mm	
Tykkelse på bladdel	1,3 mm - 2,0 mm	
Hulldiameter (spindelhull) (landsspesifikt)	20 mm or 15,88 mm	
Maks gjæringsvinkel	Venstre 47°, høyre 5°	
Maks skjæringsvinkel	Venstre 45°, høyre 5°	
Hastighet uten belastning	5 700 min ⁻¹	
Mål (L x B x H)	655 mm x 430 mm x 445 mm	
Nominell spenning	DC 36 V	
Batteriinnsett	BL1815N, BL1820, BL1820B	BL1830, BL1830B, BL1840, BL1840B, BL1850, BL1850B, BL1860B
Nettovekt	13,0 kg	13,5 kg





Skjæreegenskaper (H x B) med blad 190 mm i diameter

Gjæringsvinkel	Skjæringsvinkel		
	45° (venstre)	0°	5° (høyre)
0°	40 mm x 300 mm	52 mm x 300 mm	40 mm x 300 mm
	45 mm x 265 mm (MERKNAD 1)	60 mm x 265 mm (MERKNAD 1)	–
45° (venstre og høyre)	40 mm x 212 mm	52 mm x 212 mm	–
	45 mm x 185 mm (MERKNAD 2)	60 mm x 185 mm (MERKNAD 2)	–
57° (høyre)	–	52 mm x 163 mm	–
	–	60 mm x 145 mm (MERKNAD 3)	–

1. Maks. skjærekapasitet ved bruk av gjæringskloss med 20 mm tykkelse
 2. Maks. skjærekapasitet ved bruk av gjæringskloss med 15 mm tykkelse
 3. Maks. skjærekapasitet ved bruk av gjæringskloss med 10 mm tykkelse
- På grunn av vårt kontinuerlige forsknings- og utviklingsprogram kan spesifikasjonene som oppgis i dette dokumentet endres uten varsel.
 - Spesifikasjoner og batteriinnsett kan variere fra land til land.
 - Vekt, med batteriinnsett, i henhold til EPTA-prosedyre 01/2003

Symboler

Nedenfor ser du symbolene som brukes for dette utstyret. Forviss deg om at du forstår hva de betyr, før du begynner å bruke maskinen.

	Les bruksanvisningen.
	Etter at du har skåret, bør du holde sagen ned helt til bladet stopper, for å unngå skade fra flyvende rester.
	Når du utfører glidekutt, må du først dra føreanlegget helt og trykke ned håndtaket. Trykk deretter føreanlegget mot veiledningsanlegget.
	Ikke plasser hender eller fingre i nærheten av sagbladet.



Still alltid UNDERGJERDE mot venstre når du skjærer skrått mot venstre. Hvis du ikke følger denne anbefalingen, kan det resultere i alvorlige helseskader for brukeren.



Kun for EU-land
Kast aldri elektroutstyr eller batteripakker i husholdningsavfallet!
I henhold til EU-direktivene om kasserte elektriske og elektroniske produkter, og om batterier og akkumulatører og brukte batterier og akkumulatører og direktivenes iverksettning i nasjonal rett, må elektriske produkter og batterier og batteripakker som ikke lenger skal brukes, samles separat og returneres til et miljøvennlig gjenvinningsanlegg.

Riktig bruk

Denne maskinen er laget for nøyaktig og rett gjærings-saging i tre. Ikke bruk sagen til å skjære annet enn tre, aluminium og lignende materialer.

Støy

Typisk A-vektet lydtrykknivå er bestemt i henhold til EN61029:

Lydtrykknivå (L_{pA}) : 88 dB (A)

Lydeffektnivå (L_{WA}) : 97 dB (A)

Usikkerhet (K): 3 dB (A)

⚠ ADVARSEL: Bruk hørselsvern.

Vibrasjoner

Den totale vibrasjonsverdien (triaksial vektorsum) bestemt i henhold EN61029:

Genererte vibrasjoner (a_h) : 2,5 m/s² eller mindre

Usikkerhet (K): 1,5 m/s²

MERK: Den angitte verdien for de genererte vibrasjonene er målt i samsvar med standardtestmetoden og kan brukes til å sammenlikne et verktøy med et annet.

MERK: Den angitte verdien for de genererte vibrasjonene kan også brukes til en foreløpig vurdering av eksponeringen.

⚠ ADVARSEL: De genererte vibrasjonene ved faktisk bruk av elektroverktøyet kan avvike fra den angitte vibrasjonsverdien, avhengig av hvordan verktøyet brukes.

⚠ ADVARSEL: Sørg for å identifisere vernetiltak for å beskytte operatøren, som er basert på et estimat av eksponeringen under de faktiske bruksforholdene (idet det tas hensyn til alle deler av driftssyklusen, dvs. hvor lenge verktøyet er slått av, hvor lenge det går på tomgang og hvor lenge startbryteren faktisk holdes trykket).

EF-samsvarserklæring

Gjelder kun for land i Europa

Makita erklærer at følgende maskin(er):

Maskinens bruksområde: Batteridrevet skyvbar gjærings-sag for kombinasjonssaging

Modellnr./type: DLS714

Samsvarer med følgende europeiske direktiver: 2006/42/EC

De er produsert i henhold til følgende standarder eller standardiserte dokumenter: EN61029

Den tekniske filen i samsvar med 2006/42/EC er tilgjengelig fra:

Makita, Jan-Baptist Vinkstraat 2, 3070, Belgia
16.1.2015

Yasushi Fukaya

Direktør

Makita, Jan-Baptist Vinkstraat 2, 3070, Belgia

Generelle advarsler angående sikkerhet for elektroverktøy

⚠ ADVARSEL: Les alle sikkerhetsadvarslene og alle instruksjonene. Hvis du ikke følger alle advarslene og instruksjonene som er oppført nedenfor, kan det føre til elektriske støt, brann og/eller alvorlige helseskader.

Oppbevar alle advarsler og instruksjoner for senere bruk.

Uttrykket «elektrisk verktøy» i advarslene refererer både til elektriske verktøy (med ledning) tilkoblet strømnettet, og batteridrevne verktøy (uten ledning).

Sikkerhetsadvarsler for trådlås gjærings-sag

1. Hold hendene bort fra sagbladbanen. Unngå kontakt med coastingblader. Det kan føre til alvorlig personskade.
2. Undersøk sagbladet grundig med tanke på sprekker og deformasjon, før du bruker det. Skift ut ødelagte blader umiddelbart.
3. Bytt ut snittbrettet når det er slitt.
4. Bruk kun sagblader som er angitt av produsenten, og som overholder EN847-1.
5. Ikke bruk separate reduksjonsbøssinger eller adaptere for å tilpasse slipeskiver med store hull.
6. Bruk beskyttelsesbriller.
7. Bruk hørselsvern for å redusere faren for hørselstap.
8. Bruk hansker når du håndterer sagbladet (sagbladene må bæres i en holder, såfremt dette er praktisk) og skarpe materialer.
9. Koble gjærings-sagene til et støvoppsamlingsapparat når du sager.
10. Velg sagblad i forhold til materialet som skal skjæres.
11. Fest alle bevegelige deler før maskinen skal flyttes. Når du løfter eller bærer verktøyet, må du ikke bruke vernet som et bærehåndtak.
12. Ikke bruk maskinen uten at vernet er på plass. Kontroller at det nedre vernet er ordentlig lukket før bruk. Ikke begynn å bruke sagen hvis det nedre vernet ikke beveger seg fritt og lukker seg momentant. Bladvernet må aldri klemmes fast eller bindes opp i åpen stilling.
13. Du må unngå løse materialer som spon og avkapp på gulvet.
14. Bruk bare sagblader som er merket med en maksimumshastighet som er lik eller høyere enn hastigheten uten belastning som er merket på verktøyet.
15. Hvis det er montert en laser eller et LED-lys på verktøyet, må du ikke bytte ut laseren eller LED-lyset med en annen type. Kontakt et autorisert servicesenter hvis det oppstår behov for reparasjon.
16. Fjern aldri eventuelt avkapp eller andre deler av arbeidsstykket fra skjæreområdet mens verktøyet kjører med et sagblad uten vern.

17. **Utfør aldri en jobb på frihånd.** Arbeidsemnet må sikres godt mot dreiefoten og føringsflaten med skrustikken, under alle typer bruk. Bruk aldri hånden til å sikre arbeidsstykket.
18. **Kontroller at verktøyet er stabilt før hvert kapp.**
19. **Fest om nødvendig verktøyet til en arbeidsbenk.**
20. **Støtt opp lange arbeidsstykker med egnede ekstrastøtter.**
21. **Du må aldri skjære i arbeidsemner som er så små at de ikke kan holdes sikkert av skrustikken.** Arbeidsemner som ikke er festet skikkelig, kan føre til tilbakeslag og alvorlig personskade.
22. **Strekk deg aldri rundt sagbladet.**
23. **Slå av maskinen og vent til sagbladet stopper før du flytter arbeidsstykket eller endrer innstillinger.**
24. **Trekk støpselet ut av stikkontakten og/eller ta batteriet ut av det elektriske verktøyet før du skifter blad eller ved service.**
25. **Stoppennålen som låser skjærehodet ned er kun til for løfting eller oppbevaring og ikke for å skjære.**
26. **Ikke bruk maskinen i nærheten av brennbare væsker eller gasser.** Den elektriske driften av verktøyet kan forårsake brann og eksplosjon når den utsettes for brennbare væsker eller gasser.
27. **Bruk bare flenser som er spesifisert for dette verktøyet.**
28. **Pass på å ikke skade akselen, flensene (spesielt installeringsoverflaten) eller bolten.** Skade på disse delene kan resultere i at skiven brekker.
29. **Forsikre deg om at dreiefoten er sikret skikkelig, slik at den ikke kan forskyve seg under bruk.**
30. **For din egen sikkerhet må du fjerne biter, små stykker, osv. fra bordet før bruk.**
31. **Unngå å skjære i spiker. Se etter og fjern all spiker fra arbeidsstykket før arbeidet påbegynnes.**
32. **Forsikre deg om at skaftlåsen er av før du slår på knappen.**
33. **Forsikre deg om at bladet ikke er i kontakt med dreiefoten i den laveste stillingen.**
34. **Hold hendelen godt fast. Vær oppmerksom på at sagen går litt opp og ned når den startes og stoppes.**
35. **Forvis deg om at bladet ikke er i kontakt med arbeidsstykket før du slår på startbryteren.**
36. **Før du begynner å bruke maskinen på et arbeidsstykke, bør du la den gå en liten stund. Se etter vibrasjoner eller vingling som kan tyde på at bladet er dårlig balansert.**
37. **Vent til bladet har full hastighet før du skjærer.**
38. **Hvis du merker at noe er uvanlig, må du omgående stoppe arbeidet.**
39. **Ikke forsøk å låse avløseren i på-stillingen.**
40. **Vær alltid oppmerksom, spesielt under arbeid som er rutinemessig og monotont. Ikke la deg lure av en falsk sikkerhetsfølelse. Blader er ekstremt uforsonnlige.**
41. **Bruk alltid utstyr anbefalt i denne håndboken. Bruk av upassende utstyr som rue hjul kan føre til personskade.**
42. **Vær forsiktig med kløyving.**
43. **Noen typer støv som produseres ved bruk inneholder kjemikalier som er kjent for å forårsake kreft, fosterskader eller annen reproduktiv skade. Noen eksempler på disse kjemikaliene er:**
 - bly fra materialer malt med blybasert maling og,
 - arsenikk og krom fra kjemisk behandlet tømmer.

Din risiko fra denne utsettelsen varierer, etter som hvor ofte du gjør denne typen arbeid. For å redusere utsettelsen for disse kjemikaliene: arbeid i et godt ventilert område og arbeid med godkjent sikkerhetsutstyr, som de støvmaskene som er utarbeidet spesielt for å filtrere ut mikroskopiske partikler.
44. **Pass alltid på at bladet er skarpt og rent for å redusere lydutslipp.**
45. **Den som skal bruke redskapet har fått god nok opplæring i bruk, justering og drift av maskinen.**

TA VARE PÅ DISSE INSTRUKSENE.

⚠ADVARSEL: IKKE LA hensynet til hva som er "behagelig" eller det faktum at du kjenner produktet godt (etter mange gangers bruk) gjøre deg mindre oppmerksom på sikkerhetsreglene for bruken av det aktuelle produktet. Ved MISBRUK eller hvis ikke sikkerhetsreglene i denne bruksanvisningen følges, kan det oppstå alvorlig personskade.

Viktige sikkerhetsanvisninger for batteriinnsetning

1. Før du begynner å bruke batteriet, må du lese alle anvisninger og forsiktighetsregler på (1) batteriladeren, (2) batteriet og (3) det produktet batteriet skal brukes i.
2. Ikke ta fra hverandre batteriet.
3. Hvis driftstiden er blitt vesentlig kortere, må du omgående slutte å bruke maskinen. Hvis ikke kan resultatet bli overoppheting, mulige forbrenninger eller til og med en eksplosjon.
4. Hvis du får elektrolytt i øynene, må du skylle dem med store mengder rennende vann og oppsøke lege med én gang. Denne typen uhell kan føre til varig blindhet.
5. Ikke kortslutt batteriet:
 - (1) De kan være ekstremt varme og du kan brenne deg.
 - (2) Ikke lagre batteriet i samme beholder som andre metallgjenstander, som for eksempel spiker, mynter osv.
 - (3) Ikke la batteriet komme i kontakt med vann eller regn.

En kortslutning av batteriet kan føre til et kraftig strømstøt, overoppvarming, mulige forbrenninger og til og med til at batteriet går i stykker.

6. Ikke lagre maskinen og batteriet på steder hvor temperaturen kan komme opp i eller overskride 50 °C.
7. Ikke sett fyr på batteriet, ikke engang om det er sterkt skadet eller helt utslitt. Batteriet kan eksplodere hvis det begynner å brenne.
8. Vær forsiktig så du ikke mister batteriet eller utsetter det for slag.
9. Ikke bruk batterier som er skadet.
10. Lithium-ion-batteriene som medfølger er gjenstand for krav om spesialavfall.
For kommersiell transport, f.eks av tredjeparter eller speditører, må spesielle krav om pakking og merking følges.
Før varen blir sendt, må du forhøre deg med en ekspert på farlig materiale. Ta også hensyn til muligheten for mer detaljerte nasjonale bestemmelser.
Bruk teip eller maskeringsteip for å skjule åpne kontakter og pakk inn batteriet på en slik måte at den ikke kan bevege seg rundt i emballasjen.

11. Følg lokale bestemmelser for avhending av batterier.

TA VARE PÅ DISSE INSTRUKSENE.

⚠FORSIKTIG: Bruk kun originale Makita-batterier. Bruk av batterier som har endret seg, eller som ikke er originale Makita-batterier, kan føre til at batteriet sprekker og forårsaker brann, personskader og andre skader. Det vil også ugyldiggjøre garantien for Makita-verktøyet og -laderen.

Tips for å opprettholde maksimal batterilevetid

1. **Lad batteriinnsetsen før den er helt utladet. Stopp alltid driften av verktøyet og lad batteriinnsetsen når du merker at effekten reduseres.**
2. **Lad aldri en batteriinnsets som er fulladet. Overopplading forkorter batteriets levetid.**
3. **Lad batteriet i romtemperatur ved 10 °C - 40 °C. Et varmt batteri må kjøles ned før lading.**
4. **Lad batteriet hvis det ikke har vært brukt på en lang stund (over seks måneder).**

DELEBESKRIVELSE

► Fig.1

1	AV-sperreknapp	2	Startbryter	3	Bladkasse	4	Justeringskrue (for nedre grenseposisjon)
5	Justeringskrue (for maksimal skjærekapasitet)	6	Stopperarm	7	Støvpose	8	Skråvinkelskala
9	Bladvern	10	Vertikal skrustikke	11	Føringsflate	12	Holder
13	Låsespak (for dreiefot)	14	Håndtak (for dreiefot)	15	Justeringskrue (for dreiefot)	16	Snittplate
17	Peker (for gjæringsvinkel)	18	Dreiefot	-	-	-	-

► Fig.2

19	Skyvepol (øvre)	20	Fingerskrue (for å låse øvre skyvepol)	21	Sekskantnøkkel	22	Klemskrue (for å låse holder)
23	Hendel (for justering av skjæringsvinkel)	24	Skyvepol (nedre)	25	Fingerskrue (for låsing av skyvepol)	-	-

MONTERING

Montere benk

⚠ADVARSEL: Pass på at maskinen ikke beveger seg på opplagerflaten. Hvis gjærings sagen beveger seg på opplagerflaten mens du kutter, kan du miste kontroll over sagen og risikere alvorlige personskader.

1. Fest foten til en jevn og stabil overflate, ved å skru den fast med to skruer. Dette bidrar til å unngå velt og personskader.

► Fig.3: 1. Skruer

2. Drei justeringskruen med eller mot klokken slik at den kommer i kontakt med gulvet for å holde sagen stabil.

► Fig.4: 1. Justeringskrue

FUNKSJONSBEKRIVELSE

⚠ ADVARSEL: Forviss deg alltid om at verktøyet er slått av og batteriet tatt ut før du justerer maskinen eller kontrollerer dens mekaniske funksjoner. Hvis du ikke slår av verktøyet og fjerner batteriet, kan det hende at verktøyet starter ved et uhell, noe som kan føre til alvorlig personskade.

Sette inn eller ta ut batteri

⚠ FORSIKTIG: Slå alltid av verktøyet før du setter inn eller fjerner batteriet.

⚠ FORSIKTIG: Hold verktøyet og batteripatronen i et fast grep når du monterer eller fjerner batteripatronen. Hvis du ikke holder verktøyet og batteripatronen godt fast, kan du miste grepet, og dette kan føre til skader på verktøyet og batteripatronen samt personskader.

► **Fig.5:** 1. Rød indikator 2. Knapp 3. Batteriinnsetts

For å ta ut batteriet må du skyve på knappen foran på batteriet og trekke det ut.

Når du skal sette inn batteriet, må du plassere tungen på batteriet på linje med sporet i huset og skyve batteriet på plass. Skyv det helt inn til det går i inngrep med et lite klikk. Hvis du kan se den røde anviseren på oversiden av knappen, er det ikke fullstendig låst.

⚠ FORSIKTIG: Batteriet må alltid settes helt inn, så langt at den røde anviseren ikke lenger er synlig. Hvis dette ikke gjøres, kan batteriet komme til å falle ut av maskinen og skade deg eller andre som oppholder seg i nærheten.

⚠ FORSIKTIG: Ikke bruk makt når du setter i batteriet. Hvis batteriet ikke glir lett inn, er det fordi det ikke settes inn på riktig måte.

MERK: Verktøyet fungerer ikke med kun ett batteri.

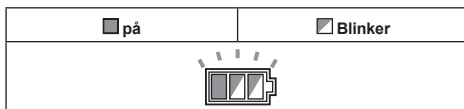
Batterivernsystem for verktøy/batteri

Verktøyet er styrt med et batterivernsystem for verktøy/batteri. Dette systemet kutter automatisk strømmen til motoren for å forlenge verktøyets og batteriets levetid. Verktøyet stopper automatisk under drift hvis verktøyet eller batteriet utsettes for en av følgende tilstander:

Overlastsikring

Når verktøyet brukes på en måte som gjør at det bruker unormalt mye strøm, vil verktøyet stoppe, helt automatisk og uten forvarsel. I dette tilfellet må du slå av verktøyet og avslutte bruken som forårsaket at verktøyet ble overbelastet. Slå deretter verktøyet på for å starte det igjen.

Overopphetingsvern



Når verktøyet blir overopphetet, stopper verktøyet automatisk og strømindikatoren blinker i cirka 60 sekunder. Hvis dette skjer, må du ta verktøyet kjøle seg ned før du slår på verktøyet igjen.

Overutladingsvern

Når det blir lite batteri igjen, stopper verktøyet automatisk. Hvis produktet ikke går selv om bryterne aktiveres, må du ta batteriene ut av verktøyet og lade batteriene.

Indikere gjenværende batterikapasitet

► **Fig.6:** 1. Batteriindikator 2. Kontrollknapp

Trykk på kontrollknappen for vise det gjenværende batterinivået. Batteriindikatorerne korresponderer til hvert batteri.

Batteriindikatorstatus			Gjenværende batterikapasitet
På	Av	Blinker	
			50 % til 100 %
			20 % til 50 %
			0 % til 20 %
			Lad batteriet

Indikere gjenværende batterikapasitet

Kun for batterier med indikatoren

► **Fig.7:** 1. Indikatorlamper 2. Kontrollknapp

Trykk på sjekk-knappen på batteriet for vise gjenværende batterikapasitet. Indikatorlampene lyser i et par sekunder.

Indikatorlamper			Gjenværende batterinivå
Tent	Av	Blinker	
			75 % til 100 %
			50 % til 75 %
			25 % til 50 %

Indikatorlamper			Gjenværende batterinivå
Tent	Av	Blinker	
			0 % til 25 %
			Lad batteriet.
			Batteriet kan ha en feil.

MERK: Det angitte nivået kan avvike noe fra den faktiske kapasiteten alt etter bruksforholdene og den omgivende temperaturen.

Funksjon for automatisk hastighetsendring

► Fig.8: 1. Modusindikator

Modusindikatorstatus	Driftsmodus
	Modus for høy hastighet
	Modus for høyt dreiemoment

Dette verktøyet har en modus for høy hastighet og en modus for høyt dreiemoment. Verktøyet skifter driftsmodus avhengig av arbeidsbelastningen. Når modusindikatoren begynner å lyse under drift, er verktøyet i modus for høyt dreiemoment.

Stopperstift

⚠FORSIKTIG: Hold alltid hendelen når du slipper stopperstiften. Ellers vil håndtaket sprette, og dette kan føre til personskade.

Slipp stopperstiften ved å presse håndtaket forsiktig nedover og deretter trekke i stopperstiften.

► Fig.9: 1. Stopperstift

Bladvern

⚠ADVARSEL: Bladvernet eller fjæren som er festet til vernet skal aldri fjernes eller settes ute av funksjon. Hvis vernet er satt ute av funksjon slik at et blad er utildekt, kan det oppstå alvorlige personskader når sagen er i bruk.

⚠ADVARSEL: Aldri bruk maskinen hvis bladvernet eller fjæren er skadet, fungerer dårlig eller er fjernet. Hvis maskinen brukes når vernet er skadet, fungerer dårlig eller er fjernet, kan det oppstå alvorlige personskader.

⚠FORSIKTIG: Hold alltid bladvernet i god stand for sikker bruk. Stans driften umiddelbart hvis det er hvis det oppstår feil i bladvernet. Kontroller at fjæren går tilbake til utgangsposisjon.

For verktøy med utløerspak for bladvern

► Fig.10: 1. Bladvern A 2. Bladvern B

Når du trekker ned håndtaket, vil bladvernet A automatisk bli hevet. Bladvernet B heves når det kommer i kontakt med arbeidsstykket. Bladvernet er fjærbelastet og går tilbake til opprinnelig stilling når kuttingen er fullført og håndtaket heves.

For verktøy uten utløerspak for bladvern

► Fig.11: 1. Bladvern

Når du senker håndtaket, heves bladvernet automatisk. Bladvernet er fjærbelastet og går tilbake til opprinnelig stilling når kuttingen er fullført og håndtaket heves.

Rengjøring

► Fig.12: 1. Bladvern

Hvis det gjennomskitige bladvernet blir skittent, eller sagflis fester seg slik at bladet og/eller arbeidsstykket ikke lenger er godt synlig, må du ta ut batteriet og forsiktig tørke av vernet med en fuktig klut. Ikke bruk løsemidler eller bensinbaserte rengjøringsmidler på plastvernet, da dette kan skade vernet.

For rengjøring skal du heve bladvernet ved å se «Montere eller demontere sagblad».

Etter rengjøring må du sørge for å sette bladet og midtdekslet tilbake til utgangsposisjon, og stramme til sekskantskruen.

1. Forsikre deg alltid om at verktøyet er skrudd av og at batteriene er tatt ut.
2. Drei sekskantskruen mot klokken ved bruk av den medfølgende sekskantnøkkelen mens du holder midtdekslet.
3. Løft bladvernet og midtdekslet.
4. Når rengjøringen er ferdig, må du sette midtdekslet tilbake på plass og stramme til sekskantskruen, ved å utføre trinnene ovenfor i motsatt rekkefølge.

⚠ADVARSEL: Ikke fjern fjæren som holder bladvernet. Hvis vernet blir skadet etter som tiden går, eller på grunn av UV-lys, kan du få et nytt på et Makita servicesenter. **VERNED SKAL ALDRI FJERNES ELLER SETTES UTE AV FUNKSJON.**

Plassere snittplate

Verktøyet leveres med snittplatene i dreiefoten for å redusere slitasje på utgangssiden av et kutt til et minimum. Snittplatene er fabrikkjustert slik at sagbladet ikke er i berøring med platene. Før bruk må du justere snittplatene på følgende måte:

1. Sørg for å fjerne batteriet. Løsne deretter alle skruene (2 hver på høyre og venstre side) som holder skjæreplatene.

► Fig.13: 1. Snittplate 2. Skruer

2. Stram dem igjen akkurat så mye at skjæreplatene fortsatt kan beveges lett for hånd.

3. Senk håndtaket helt og skyv inn stopperstiften for å låse håndtaket i nedre stilling.

4. Løsne hendlene som holder glidestengene.

► Fig.14: 1. Fingerskruer

5. Trekk vognen helt mot deg.

6. Juster skjæreplatene slik at de akkurat berører siden av sagbladstennene.

► Fig.15

- Fig.16: 1. Sagblad 2. Bladtenner 3. Snittplate
4. Venstre skråskjæring 5. Rett snitt

7. Stram de fremre skruene (ikke hardt).
8. Skyv vognen helt mot føringsvernet og juster skjæreplatene, slik at de akkurat berører siden av sagbladstennene.
9. Stram de bakre skruene (ikke hardt).
10. Etter at skjæreplatene er justert, må du løsne stopperstiften og heve håndtaket. Deretter må alle skruene strammes godt.

OBS: Når du har stilt inn skjæringsvinkelen i vertikalplanet, må du sikre at skjæreplatene er korrekt justert. Når skjæreplatene er korrekt justert, vil dette bidra til å gi arbeidsstykket riktig støtte og holde det bedre på plass.

Vedlikeholde maksimal skærekapasitet

Dette verktøyet er fabrikkjustert til å gi maksimal sagekapasitet for et 190 mm sagblad.

Når du monterer et nytt blad, må du alltid sjekke nedre grenseposisjon for bladet og justere det på følgende måte ved behov:

1. Fjern batteriet. Skyv deretter vognen mot føringsflaten, og senk håndtaket helt.

► Fig.17: 1. Justeringsskrue 2. Føringsflate

2. Bruk sekskantnøkkelen til å skru justeringsskruen til sagbladet kommer litt under tverrsnittet av føringsflaten og overflaten av dreiefoten.

► Fig.18

3. Roter bladet for hånd, mens du holder håndtaket helt ned, for å forsikre deg om at det ikke berører noen deler av den nedre foten. Etterjuster noe ved behov.

⚠ ADVARSEL: Når du har satt inn et nytt blad og batteriet er tatt ut, må du passe på at bladet ikke berører noen del av den nedre foten når håndtaket er trukket helt ned. Hvis bladet berører foten, kan det oppstå tilbakeslag. Dette kan medføre alvorlige personskader.

► Fig.19

Stopperarm

Nedre grensestilling for bladet kan justeres på en enkel måte med stopperarmen. Stopperarmen justeres ved at du beveger den i pilretningen som vist i figuren.

Vri justeringsskruen og trykk håndtaket helt ned for å sjekke resultatet.

► Fig.20: 1. Justeringsskrue 2. Stopperarm

Tilleggsanlegg

Landsspesifikk

⚠ FORSIKTIG: Hvis du skal utføre skråskjæring mot venstre, vipper du underføringen utover. Ellers kan det komme i berøring med sagbladet eller en del av maskinen og utsette brukeren for mulig alvorlig skade.

► Fig.21: 1. Tilleggsanlegg

Denne sagen er utstyrt med et tilleggsanlegg. Underføringen plasseres vanligvis på innsiden. Hvis du imidlertid skal utføre skråskjæring mot venstre, vipper du den utover.

Justere gjæringsvinkelen

► Fig.22: 1. Dreiefot 2. Peker 3. Gjæringssskala
4. Sperreknapp 5. Håndtak

1. Løsne grepet mot klokken.
2. Trykk ned og hold låsespaken, og justere vinkelen på dreiefoten. Bruk pekeren og gjæringssskalaen som føring.
3. Stram til håndtaket godt med klokken.

⚠ FORSIKTIG: Når du har endret gjæringsvinkelen, må du alltid sikre dreiefoten ved å stramme grepet godt.

OBS: Når du dreier dreiefoten, må du heve håndtaket helt.

Justere skråvinkelen

Juster skråvinkelen ved å løsne spaken bak på sagen mot klokken.

► Fig.23: 1. Spak 2. Utløserknapp

Hold spaken og vipp vognen for å vippe bladet til venstre. Bruk gjæringssskalaen og pekeren som føring. Stram spaken godt med klokken for å sikre armen.

► Fig.24: 1. Peker 2. Skråvinkelskala 3. Arm

Hold spaken, vipp vognen forsiktig mot venstre og slipp utløserknappen for å vippe bladet til høyre. Vipp sagbladet mot høyre med utløserknappen trykket. Deretter må spaken strammes.

⚠ FORSIKTIG: Når du har endret skråvinkelen, må du alltid sikre armen ved å stramme spaken med klokken.

OBS: Pass på at håndtaket er helt oppe når du skråstiller sagbladet.

OBS: Når du endrer skråvinklene, må du forvise deg om at snittplatene plasseres riktig (forklart i «Plassere snittplater»-avsnittet).

Justere spakens posisjon

Hvis spaken ikke gir full stramming etter som tiden går, må du endre posisjonen til spaken. Spaken kan plasseres i alle vinkler på 30°.

Løsne og ta ut skruene som fester spaken. Ta av spaken og monter den igjen slik at den peker litt over den horisontale posisjonen. Stram spaken godt med skruen.

► Fig.25: 1. Spak 2. Skrue

Bryterfunksjon

⚠ ADVARSEL: Før du setter batteriet i maskinen, må du kontrollere at startbryteren beveger seg riktig og går tilbake til OFF når den slippes. Hvis du bruker maskinen med en bryter som ikke fungerer som den skal, kan du komme til å miste kontrollen, og det kan oppstå alvorlige helseskader.

⚠ ADVARSEL: Ikke bruk lås med bøyle eller kabel mindre enn 6,35 mm i diameter. En mindre bøyle eller kabel vil kanskje ikke kunne låse maskinen i AV-stilling, noe som kan medføre utilsiktet start av maskinen og alvorlige personskader.

⚠ ADVARSEL: Maskinen må ALDRI brukes uten at startbryteren er i perfekt stand. Det er SVÆRT FARLIG å bruke maskinen når bryteren er defekt. Reparer bryteren før du bruker maskinen. Hvis dette ikke gjøres, er det fare for alvorlige personskader.

⚠ ADVARSEL: Av hensyn til din egen sikkerhet er denne maskinen utstyrt med en AV-sperreknapp som forhindrer utilsiktet start av maskinen. Maskinen må ALDRI brukes hvis den begynner å gå bare du trykker på startbryteren, uten at du må trykke på AV-sperreknappen også. En skadet/defekt bryter kan føre til at maskinen aktiveres utilsiktet og alvorlige personskader kan oppstå. Returner maskinen til et Makita-servicesenter for å få den reparert FØR videre bruk.

⚠ ADVARSEL: ALDRI sett AV-sperreknappen ute av funksjon ved å for eksempel teipe over den. En defekt AV-sperreknapp kan føre til at maskinen aktiveres utilsiktet og alvorlige personskader kan oppstå.

OBS: Ikke press hardt på startbryteren uten å trykke inn AV-sperreknappen. Dette kan få bryteren til å brekke.

For verktøy med utløserpak for bladvern

For å unngå at startbryteren trykkes inn ved en feiltakelse, er maskinen utstyrt med en AV-sperreknapp. For å starte maskinen må du skyve utløserpakken for bladvernet opp, trykke inn AV-sperreknappen og trykke på startbryteren. Slipp opp bryteren for å stanse verktøyet. AV-sperreknappen kan trykkes enten fra høyre eller venstre.

Startbryteren har et hull for feste av en hengelås, til å låse maskinen med.

► **Fig.26:** 1. Utløserpak for bladvern 2. Startbryter 3. AV-sperreknapp 4. Hull for hengelås

For verktøy uten utløserpak for bladvern

For å unngå at startbryteren trykkes inn ved en feiltakelse, er maskinen utstyrt med en AV-sperreknapp. For å starte maskinen må du trykke inn AV-sperreknappen og trykke på startbryteren. Slipp opp bryteren for å stanse verktøyet.

AV-sperreknappen kan trykkes enten fra høyre eller venstre.

Startbryteren har et hull for feste av en hengelås, til å låse maskinen med.

► **Fig.27:** 1. AV-sperreknapp 2. Startbryter 3. Hull for hengelås

MONTERING

⚠ ADVARSEL: Forviss deg alltid om at maskinen er slått av og batteriet er fjernet før du utfører noe arbeid på maskinen. Hvis du unnlater å slå av støvsugeren og fjerne batteriet, kan det oppstå alvorlige personskader.

Oppbevare sekskantnøkkel

Sekskantnøkkelen lagres som vist i figuren. Når sekskantnøkkelen skal brukes, kan den trekkes ut av nøkkelholderen.

Etter at sekskantnøkkelen har vært brukt, kan den lagres igjen ved å sette den tilbake i nøkkelholderen.

► **Fig.28:** 1. Nøkkelholder 2. Sekskantnøkkel

Montere eller demontere sagblad

⚠ ADVARSEL: Forviss deg alltid om at maskinen er slått av og batteriet er fjernet før du monterer eller fjerner bladet. Hvis maskinen utilsiktet slås på, vil det være fare for alvorlige personskader.

⚠ FORSIKTIG: Bruk kun den medfølgende sekskantnøkkelen fra Makita til å montere eller demontere bladet. Hvis du gjør det, kan det føre til at sekskantskruen blir for hardt eller løst trukket til. Dette vil kunne forårsake skader.

Bruk følgende trinn for å ta av bladet:

1. Lås håndtaket i hevet posisjon ved å skyve inn anslagsstiften.

► **Fig.29:** 1. Stopperstift

2. Bruk sekskantnøkkelen for å løsne sekskantbolten som holder midtdekslet ved å dreie nøkkelen mot urviserne. Hev deretter bladvernet og midtdekslet.

► **Fig.30:** 1. Midtdeksel 2. Sekskantskrue 3. Sekskantnøkkel 4. Bladvern

3. Trykk på spindellåsen for å låse spindelen, og bruk nøkkelen til å løsne sekskantskruen (med urviserne). Fjern så sekskantskruen i spindelen, den ytre flensen og bladet.

► **Fig.31:** 1. Spindellås 2. Sekskantskrue 3. Ytre flense

4. Dersom den indre flensen fjernes, monterer du den på spindelen, slik at delen monteringsdelen for bladet er vendt mot bladet. Hvis flensen er satt i feil, vil den gnisse mot maskinen.

► **Fig.32:** 1. Ytre flense 2. Sagblad 3. Indre flens 4. Sekskantskrue (venstre) 5. Spindel 6. Monteringsdel for blad

Bruk følgende trinn for å montere bladet:

1. Montere bladet forsiktig på den indre flensen. Sørg for at pilretningen på bladoverflaten stemmer overens med pilretningen på bladkassen.

► **Fig.33:** 1. Sagblad 2. Pil

2. Sett på den ytre flensen og sekskantskruen. Bruk deretter nøkkelen til å trekke til skruen i spindel (venstre) godt mot urviseren mens du trykker på spindellåsen.
3. Sett bladvernet og midtdekslet tilbake til utgangsposisjon. Stram så sekskantskrue på midtdekslet med urviserne for å sikre midtdekslet.
4. Frijør hendelen fra hevet posisjon ved å dra i anslagsstiften. Senk hendelen for å passe på at bladvernet beveger seg som det skal.
5. Forviss deg om at spindellåsen har sluppet spindelens før du sager.

For verktøy med indre flens for sagblad med en hulldiameter på 15,88

Landsspesifikk

Monter den indre flensen med den nedsenkede siden utover på festeakslingen og plasser sagbladet, ytterflensen og sekskantskrue (med ringen satt på om nødvendig).

For verktøy uten ringen

- **Fig.34:** 1. Ytre flense 2. Sagblad 3. Indre flens 4. Sekskantskrue (venstre) 5. Spindel

For verktøy med ringen

- **Fig.35:** 1. Ytre flens 2. Sagblad 3. Indre flens 4. Sekskantskrue (venstre) 5. Ring 6. Spindel

⚠ADVARSEL: Hvis ringen er nødvendig for å montere bladet på spindelens, må du forsikre deg om at korrekt akselhulling er satt inn mellom de indre og ytre flensene. Hvis du bruker feil akselhulling, kan bladet bli feilmontert. Ved bruk av feil akselhullskive vil bladet kanskje ikke monteres riktig. Dette kan føre til at bladet begynner å vandre og vibrere kraftig, at du mister kontrollen over maskinen under arbeidet og til alvorlige helseskader.

For verktøy med indre flens for sagblad med en annen hulldiameter enn 20 mm eller 15,88

Landsspesifikk

Den indre flensen har et bestemt diameter på monteringsdelen for blad på den ene siden og en annen diameter på monteringsdelen for blad på den andre siden. Velg den korrekte siden derbladets monteringsdel passer perfekt i hullet på sagbladet.

- **Fig.36:** 1. Ytre flense 2. Sagblad 3. Indre flens 4. Sekskantskrue (venstre) 5. Spindel 6. Monteringsdel for blad

⚠FORSIKTIG: Pass på at monteringsdelen for bladet "a" på den indre flensen som er posisjonert på utsiden passer perfekt i hullet på sagbladet "a". Hvis bladet monteres på feil side, kan det resultere i farlig vibrasjon.

Støvpose

Valgfritt tilbehør

Støvposen forenkler støvoppsamlingen og gjør bruken av sagen renere.

Fest støvposen på støvutløpet.

Du fester klemmen ved å rette inn overkanten av klemmen, slik at den er jevn med trekantmerket på støvposen.

Når støvposten er omtrent halvfull, må du ta den av maskinen og trekke ut festemekanisme. Tøm støvposen og bank den forsiktig for å fjerne partikler som har festet seg til innsiden og som kan hindre videre støvoppsamling.

- **Fig.37:** 1. Støvpose 2. Støvmunnstykke 3. Festemekanisme

MERK: Hvis du kobler en støvsuger til sagen, kan driften av sagen bli enda renere.

Sikre arbeidsemne

⚠ADVARSEL: Det er uhyre viktig at du alltid sikrer arbeidsstykket korrekt med en passende type skrustikke. Hvis dette ikke gjøres, kan resultatet bli personskader eller skader på maskinen og/eller arbeidsstykket.

⚠ADVARSEL: Når du kutter et arbeidsstykke som er lengre enn sagens støttefot, må du støtte opp hele lengden av materialet forbi støttefoten og på samme høyde, for å holde materialet plant. Når arbeidsstykket er godt støttet, er det mindre fare for farlige tilbakeslag (kickback) og at bladet kommer i klem. Ikke stol på at bare den vertikale skrustikken og/eller den horisontale skrustikken sikrer arbeidsemnet. Tynne materialer har en tendens til å gi etter. Støtt arbeidsemnet i hele lengden for å unngå at bladet kommer i klem og at det oppstår TILBAKESLAG.

- **Fig.38:** 1. Støtte 2. Dreiefot

Vertikal skrustikke

⚠ADVARSEL: Sikre arbeidsemnet godt mot dreiefoten og føringsflaten med skrustikken under alle typer bruk. Ellers kan materialet bevege seg under saging, forårsake skade på bladet og bli kastet vekk. Dette kan føre til tap av kontroll og alvorlig personskade.

Monter den vertikale skrustikken i to posisjoner på venstre eller høyre side av føringsflaten eller holderenheten (valgfritt tilbehør). Sett inn skrustikkestangen i hullet i føringsflaten eller i holderenheten og stram den nedre skruen for å sikre stangen.

- **Fig.39:** 1. Skrustikkearm 2. Skrustikkestang 3. Føringsflate 4. Holder 5. Holderenhet 6. Skrustikkeknott 7. Nedre skrue 8. Øvre skrue

Plasser skrustikkearmen i henhold til arbeidsemnets tykkelse og form og sikre armen ved å stramme den øvre skruen. Hvis den øvre skruen berører føringsflaten, må du montere den øvre skruen på motsatt side av armen. Pass på at ingen del av maskinen berører skrustikken når håndtaket senkes helt, eller når vognen trekkes eller skyves til endeposisjonen. Hvis noen deler berører skrustikken, må du flytte den.

Trykk arbeidsemnet mot føringsflaten og dreiefoten. Plasser arbeidsemnet i ønsket skjæreposisjon og sikre det godt ved å stramme skrustikkeknotten.

Horisontal skruestikke

Valgfritt tilbehør

⚠ ADVARSEL: Arbeidsemnet skal kun gripes når indikatoren er i øverste posisjon. Gjør du ikke det, kan arbeidsemnet være får dårlig sikret. Dette kan resultere i at arbeidsemnet kastes, forårsake skade på bladet eller gjøre at du mister kontrollen. Det er fare for personskade.

- **Fig.40:** 1. Skruestikkeknott 2. Indikator
3. Skruestikkeaksel 4. Fot

Den horisontale skrustikken kan monteres enten på venstre eller på høyre side av foten.

Når skrustikkeknotten dreies mot klokken, frigjøres skruen og skrustikkeskafte kan beveges raskt inn og ut. Når skrustikkeknotten dreies med klokken, forblir skruen festet.

For å gripe arbeidsemnet må du dreie skrustikkeknotten forsiktig med klokken til indikatoren når øverste posisjon. Stram godt til. Hvis skrustikkeknotten tvinges inn eller dras ut mens den dreies med klokken, kan indikatoren stoppe i vinkel. I slike tilfeller må du dreie knotten tilbake mot klokken til skruen og deretter dreie forsiktig med klokken.

Den maksimale kapasiteten til den horisontale skruestikken er 120 mm brede.

Holdere og holderenhet

Valgfritt tilbehør

⚠ ADVARSEL: Et langt arbeidsstykke må alltid støttes opp slik at det blir plant med den øvre overflaten av dreiefoten. Dette for å få presise kutt og unngå at du mister kontroll over maskinen. Når arbeidsstykket er godt støttet, er det mindre fare for farlige tilbakeslag (kickback) og at bladet kommer i klem.

Holderne og holderenheten (valgfritt tilbehør) kan monteres på begge sider som en praktisk måte å støtte arbeidsemnet på horisontalt.

Monter dem på siden av verktøyet, og stram skruene godt for å feste dem.

- **Fig.41:** 1. Holder 2. Holderenhet

Når du sager lange arbeidsemner, må du bruke holderstangenheten (valgfritt tilbehør). Den består av to holderenheter og to stenger 12.

- **Fig.42:** 1. Holderenhet 2. Stang 12

BRUK

⚠ ADVARSEL: Forviss deg om at bladet ikke har kontakt med arbeidsstykket osv. før startbryteren slås på. Hvis maskinen slås på mens bladet berører arbeidsemnet, kan dette føre til tilbakeslag og alvorlige personskader.

⚠ ADVARSEL: Når du er ferdig å sage, er det svært viktig at du ikke løfter bladet før det har stanset helt. Hvis du løfter et blad som ruller, risikerer du alvorlige skader både på deg selv og arbeidsstykket.

⚠ ADVARSEL: Ikke berør klemskruene som fester skyvepolene mens sagbladet roterer. Ellers kan verktøyet miste kontroll og føre til personskade.

OBS: Før bruk må du frigjøre hendelen fra senket posisjon ved å dra i anslagsstiften.

OBS: Ikke legg stort trykk på hendelen når du sager. For mye kraft kan føre til at motoren overbelastes og/eller at sageeffekten reduseres. Skyv ned hendelen med den kraften som trengs for jevn saging og uten merkbar reduksjon i bladets hastighet.

OBS: Trykk hendelen forsiktig ned for å gjenomføre kuttet. Hvis håndtaket trykkes ned med makt eller det brukes sidekraft, kan bladet vibrere og lage et merke (sagmerke) i arbeidsemnet. Dette kan ødelegge presisjonen i kuttet.

OBS: Under et skyvekutt må du skyve sleden forsiktig mot føringsflaten uten å stoppe. Hvis sledebevegelsen stopper under kuttet, kan dette etterlate et merke i arbeidsstykket, og presisjonen i kuttet kan ødelegges.

Pressaging (sage små arbeidsemner)

⚠ ADVARSEL: Stram de to klemskruene som fester skyve polene godt med klokken slik at sleden ikke beveger seg under drift. Hvis låseskruen ikke er godt nok tilstrammet, kan det oppstå farlige tilbakeslag (kickback).

- **Fig.43**

Arbeidsstykker som er opptil 52 høyde og 97 mm brede kan kappes på følgende måte.

1. Dytt vognen helt mot føringsvernet og stram de to hendelene med klokken for å feste vognen.
2. Fest arbeidsstykket godt ved hjelp av den angitte skrustikken.
3. Slå på sagen uten at bladet er i kontakt med noe, og vent til bladet oppnår full hastighet før du senker.
4. Senk håndtaket forsiktig til nederste stilling for å kappe arbeidsstykket.
5. Når snittet er laget, må du slå av maskinen og vente til bladet har stoppet helt før du setter bladet tilbake i helt oppreist stilling.

Skyvesaging (sage brede arbeidsemner)

⚠ ADVARSEL: Når du bruker uttrekksfunksjonen for å kappe et arbeidsstykke, må du først trekke vognen helt til deg og trykke håndtaket helt ned. Deretter skyver du vognen mot føringsvernet. Vognen skal alltid være trukket helt mot deg før du begynner å sage. Hvis du bruker uttrekksfunksjonen for å kappe et arbeidsstykke og vognen ikke er trukket helt mot deg, kan det oppstå farlige tilbakeslag (kickback).

⚠ ADVARSEL: Aldri forsøk å dra vognen mot deg før å bruke uttrekksfunksjonen for å kappe et arbeidsstykke. Hvis du trekker vognen mot deg mens du sager, kan det oppstå uventede tilbakeslag (kickback) som kan gi alvorlige personskader.

⚠ ADVARSEL: Aldri bruk uttrekksfunksjonen for å kappe et arbeidsstykke når håndtaket er låst i senket stilling.

⚠ ADVARSEL: Aldri løsne knotten som fester sleden mens bladet roterer. Hvis vognen er løs når du sager, kan det oppstå farlige tilbakeslag (kickback).

► Fig.44

1. Løsne de to hendlene som sikrer glidestengene mot klokken, slik at vognen glir fritt.
2. Fest arbeidsstykket godt ved hjelp av den angitte skrustikken.
3. Trekk vognen helt mot deg.
4. Slå på sagen uten at bladet er i kontakt med noe, og vent til bladet oppnår full hastighet.
5. Trykk ned håndtaket og **skyv vognen mot føringsvernet og gjennom arbeidstrykket.**
6. Når snittet er laget, må du slå av maskinen og **vente til bladet har stoppet helt** før du setter bladet tilbake i helt oppreist stilling.

Gjærsaging

Se avsnittet «Justere gjæringsvinkelen».

Skråskjæring

⚠ ADVARSEL: Når bladet er stilt inn for gjæringsaging i vertikalplanet, må du forsikre deg om at vognen og bladet kan bevege seg fritt under hele kutteprosessen. Ikke start opp maskinen før dette er kontrollert. Hvis vognen eller bladet blir hindret under sagingen, kan det oppstå tilbakeslag (kickback) som kan gi alvorlige personskader.

⚠ ADVARSEL: Når du utfører gjæringsaging i vertikalplanet må du passe på å holde hendene borte fra sagbladets bane. Vær oppmerksom på at bladvinkelen kan gi et feilaktig inntrykk av sagbladets faktiske bane. Kontakt med sagbladet vil gi alvorlige personskader

⚠ ADVARSEL: Ikke hev bladet før det har stoppet helt. Ved gjæringsaging i vertikalplanet kan det skje at det avkappede arbeidsstykket hviler mot bladet. Hvis bladet da heves mens det fremdeles roterer, kan det kaste ut den avkappede biten. Dette vil føre til at materialet fliser seg opp, og alvorlige personskader kan oppstå.

⚠ FORSIKTIG: (Kun for verktøy med undergjerde)
Sett alltid undergjerdet på utsiden når du utfører skråskjæring mot venstre.

► Fig.45

1. Løsne spaken og vipp sagbladet for å stille inn skråvinkelen (se avsnittet «Justere skråvinkelen»). Stram spaken godt igjen for å sikre skråvinkelen du har valgt.
2. Fest arbeidsstykket med skrustikken.
3. Trekk vognen helt mot deg.
4. Slå på sagen uten at bladet er i kontakt med noe, og vent til bladet oppnår full hastighet.
5. Senk hendelen forsiktig til helt senket posisjon mens du utøver trykk parallelt med bladet, og **skyv sleden mot føringsflaten for å sage arbeidsemet.**
6. Når snittet er laget, må du slå av maskinen og **vente til bladet har stoppet helt** før du setter bladet tilbake i helt oppreist stilling.

OBS: Når du trykker ned håndtaket, må du trykke parallelt med bladet. Hvis du trykker i vertikal retning for dreiefoten, eller endrer trykkretningen mens du sager, vil snittet bli mindre presist.

Lamellsaging

Lamellsaging er prosessen hvor en skråvinkel lages samtidig som en gjæringsvinkel sages på et arbeids-emne. Kombinasjonssaging kan utføres i vinkelen som er angitt i tabellen.

Gjæringsvinkel	Skjæringsvinkel
Venstre og høyre 45°	Venstre 0° - 45°
Høyre 50°	Venstre 0° - 40°
Høyre 55°	Venstre 0° - 30°
Høyre 57°	Venstre 0° - 25°

Når du utfører kombisaging, finner du forklaringer i «Pressaging», «Skyvesaging», «Gjærsaging» og «Skråskjæring».

Sage profillister og hulkillister

Profillister og hulkillister kan sages på en gjærings-sag for kombinasjonssaging, med listene lagt flatt på dreiefoten.

Det finnes to vanlige typer profillist og en vanlig type hulkillist; profillist med 52/38° veggvinkel, profillist med 45° veggvinkel og hulkillist med 45° veggvinkel.

► **Fig.46:** 1. Profillist med 52/38° vinkel 2. Profillist med 45° vinkel 3. Hulkillist med 45° vinkel

Listene kan kappes til å passe til «innvendige» 90° hjørner ((a) og (b) på figuren og «utvendige» 90° hjørner ((c) og (d) på figuren).

► **Fig.47:** 1. Innvendig hjørne 2. Utvendig hjørne

► **Fig.48:** 1. Innvendig hjørne 2. Utvendig hjørne

Måling

Mål veggbredden, og mål bredden til arbeidsemnet i henhold til den. Sørg for at kontaktflaten mot veggen er den samme som veggglende.

► **Fig.49:** 1. Arbeidsemne 2. Veggbredde 3. Bredder på arbeidsemne 4. Kontaktflate mot vegg

Bruk alltid flere biter til testkapping for å kontrollere snittvinklene.

Når du sager profillister og hulkillister må du stille inn gjæringsvinklene i vertikalplanet og horisontalplanet som vist i tabell (A), og plassere listene på overflaten av sagfoten, som vist i tabell (B).

Venstre gjæringsnitt i vertikalplanet

► **Fig.50:** 1. Innvendig hjørne 2. Utvendig hjørne

Tabell (A)

–	Listposisjon i figuren	Skjæringsvinkel		Gjæringsvinkel	
		Med 52/38° vinkel	Med 45° vinkel	Med 52/38° vinkel	Med 45° vinkel
For innvendig hjørne	(a)	Venstre 33,9°	Venstre 30°	Høyre 31,6°	Høyre 35,3°
	(b)			Venstre 31,6°	Venstre 35,3°
For utvendig hjørne	(c)			Høyre 31,6°	Høyre 35,3°
	(d)				

Tabell (B)

–	Listposisjon i figuren	Listkant mot føringsflate	Ferdig stykke
For innvendig hjørne	(a)	Kontaktflaten mot taket skal plasseres mot føringsflaten.	Det ferdige stykket vil være på venstre side av bladet.
	(b)	Kontaktflaten mot veggen skal plasseres mot føringsflaten.	Det ferdige stykket vil være på høyre side av bladet.
For utvendig hjørne	(c)	Kontaktflaten mot taket skal plasseres mot føringsflaten.	Det ferdige stykket vil være på høyre side av bladet.
	(d)	Kontaktflaten mot veggen skal plasseres mot føringsflaten.	Det ferdige stykket vil være på venstre side av bladet.

Eksempel:

Ved saging av profillist med 52/38° vinkel for posisjon (a) på figuren:

- Vipp og fest innstillingen for gjæring i vertikalplanet på 33,9° VENSTRE.
- Juster og fest innstillingen for gjæring i horisontalplanet på 31,6° HØYRE.
- Legg profillisten med dens brede baksideoverflate (skjult) ned på dreiefoten, med KONTAKTFLATEN MOT TAKET mot føringsvernet til sagen.
- Det ferdige stykket som skal brukes, vil alltid finne seg til VENSTRE for bladet etter at snittet er utført.

Sage aluminiumsekstrudering

► **Fig.51:** 1. Skrustikke 2. Avstandskloss 3. Føringsflate 4. Aluminiumsekstruderingen 5. Avstandskloss

Når du sikrer aluminiumsekstruderinger, må du bruke avstandsklosser eller biter av kapp, som vist i figuren, for å forhindre at aluminiumen deformeres. Bruk en skjærevæske når du sager aluminiumsekstruderingen for å forhindre at det legger seg aluminiumsstøv på bladet.

⚠FORSIKTIG: Prøv aldri å skjære tykke eller runde aluminiumsekstruderinger. Tykke aluminiumsekstruderinger kan løsne under saging, og runde kan ikke sikres godt nok med denne sagen.

Gjæringskloss

⚠ADVARSEL: Bruk skruene til å feste trekledningen til føringsplaten. Skruene settes inn slik at skruhodene befinner seg nedenfor overflaten av gjæringsklossen. På denne måten unngår du at skruene kommer i veien for posisjoneringen til materialet du sager. Dersom materialet som skjæres kommer ut av posisjon, kan huset uventet bevege seg under skjærearbeidet, og dette kan føre til at du mister kontrollen og til alvorlig personskaade.

⚠FORSIKTIG: Bruk et jevnt arbeidsstykke med lik tykkelse som trevern.

Bruk av gjæringsklosser hjelper til med å sikre flisfrie kutt i arbeidsemnene. Fest en gjæringskloss til føringsflaten ved hjelp av hullene i flaten.

Mål for anbefalt gjæringskloss finner du i figuren.

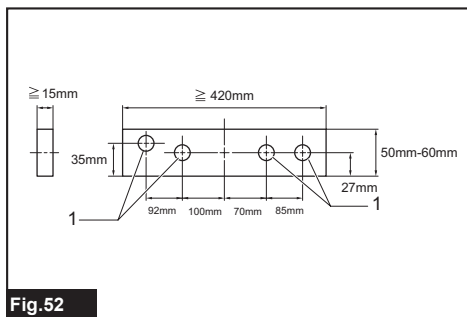


Fig.52

► **Fig.52:** 1. Hull

OBS: Når trekledningen er festet, må du ikke dreie på dreiefoten med senket hendel. Bladet og/eller trekledningen vil bli skadet.

Sage samme lengde gjentatte ganger

Når du sager flere biter materiale i samme lengde, fra 220 mm til 385 mm, må du bruke innstillingsplaten (valgfritt tilbehør). Monter innstillingsplaten på holderen (valgfritt tilbehør) som vist i figuren.

► **Fig.53:** 1. Innstillingsplate 2. Holder 3. Skruer

Tilpass skjærelinjen på arbeidsemnet ditt til enten venstre eller høyre side av spore i snittplaten. Hold arbeidsemnet og flytt innstillingsplatestrammeren mot enden av arbeidsemnet. Fest innstillingsplaten med skruen.

Når innstillingsplaten ikke er i bruk, må du løsne skruen og dreie platen ut av veien.

MERK: Hvis du bruker holderstangenheten (valgfritt tilbehør), kan du sage lengder opp til ca. 2 200 mm gjentatte ganger.

Sporaging

⚠ ADVARSEL: Ikke forsøk å utføre denne typen kutt ved hjelp av en bredere bladtype eller et falseblad. Hvis du forsøker å skjære riller ved hjelp av et bredere blad eller falseblad, kan sageresultatene bli dårlige og det kan oppstå farlige tilbakeslag (kickback).

⚠ ADVARSEL: Sett stopperarmen tilbake til utgangsposisjon når du utfører noe annet enn sporaging. Hvis du forsøker å sage når stopperarmen står i feil posisjon, kan sageresultatene bli dårlige og det kan oppstå farlige tilbakeslag (kickback).

For dadokutt må du gjøre følgende:

1. Juster nedre grenseposisjon for bladet med justeringskruen og stopperarmen, for å begrense bladets skjæredybde. Se avsnittet «Stopperarm».
 2. Når du har justert bladets nedre grenseposisjon, kutter du parallelle riller på tvers av arbeidsstykkets bredde. Bruk uttrekksfunksjonen.
- **Fig.54:** 1. Skjær riller med blad
3. Bruk et huggjern for å fjerne arbeidsstykkematerialet mellom rillene.

Bærbart verktøy

⚠ ADVARSEL: Stopperstiften er kun beregnet for bæring og lagring og skal aldri brukes for sagingarbeid. Hvis du bruker stopperstiften når du sager, kan sagbladet gjøre uventede bevegelser. Dette kan forårsake tilbakeslag (kickback) som kan gi alvorlige personskader.

⚠ FORSIKTIG: Fest alle bevegelige deler før maskinen skal flyttes. Hvis deler av maskinen kommer i bevegelse eller begynner å gli under flyt-tearbeidet, kan balansen skiples og det er fare for personskader.

► **Fig.55**

1. Fjern batteriet.
2. Fest bladet i en vertikal gjæringsvinkel på 0°, og dreii dreiefoten til største mulige høyre gjæringsvinkel i horisontalplanet.
3. Sikre glidestengene slik at den nedre glidestangen er låst i posisjon når vognen er helt trukket til operatøren og de øvre stengene er låst i posisjon når vognen er helt trukket mot føringsvernet.
4. Senk hendelen helt og lås den i senket posisjon ved å skyve anslagsstiften inn.
5. Bær saken ved å holde begge sidene på sagfoten. Hvis du tar av holderne, støvposen osv., er det lettere å bære saken.

VEDLIKEHOLD

⚠ ADVARSEL: Du må alltid sørge for at bladet er slipt og rent før best og sikrest mulig ytelse. Hvis du forsøker å kutte med et sløvt og/eller skittent blad, kan det oppstå tilbakeslag (kickback) som kan gi alvorlige personskader.

⚠ FORSIKTIG: Forviss deg alltid om at maskinen er slått av og batteriet tatt ut før du foretar inspeksjon eller vedlikehold.

OBS: Aldri bruk gasolin, bensin, tynner alkohol eller lignende. Det kan føre til misfarging, deformering eller sprekke dannelse.

Justere skjærevinkelen

Denne saken er nøye justert og tilpasset ved fabrikk, men tøff bruk kan ha påvirket tilpasningen. Hvis saken din ikke er godt nok tilpasset, må du gjennomføre følgende:

Gjæringsvinkel

1. Skyv sleden mot føringsflaten og stram de to klemskruene for å sikre sleden.
 2. Roter dreiefoten til pekeren viser 0° på gjæringssskalaen.
 3. Drei dreiefoten såvidt med klokken og deretter mot klokken, slik at dreiefoten gli inn i hakket på 0° horisontal gjæringsvinkel. (Ikke gjør endringer om viseren ikke viser 0°.)
 4. Bruk sekskantnøkkelen for å løsne sekskant-skruen som sikrer føringsvernet.
- **Fig.56:** 1. Føringsflate 2. Sekskantskrue
5. Senk hendelen helt og lås den i senket posisjon ved å skyve anslagsstiften inn.
 6. Juster føringsflaten til den danner en rektangulær vinkel med bladet ved hjelp av en trekantlinjal, ansatslinjal el. I. Stram så sekskantskruen godt på føringsvernet i rekkefølge med start fra høyre side.
- **Fig.57:** 1. Trekantlinjal
7. Sørg for at pekeren viser 0° på gjæringssskalaen. Hvis pekeren ikke viser 0°, må du løsne skruen som fester pekeren og justere pekeren slik at den viser 0°.
- **Fig.58:** 1. Skruer 2. Gjæringssskala 3. Peker

Skjæringsvinkel

0° skjæringsvinkel

► **Fig.59:** 1. Spak 2. Armholder 3. Justeringssskrue for 0° skjæringsvinkel 4. Arm 5. Utløserknapp

1. Skyv sleden mot føringsflaten og stram de to klemskruene for å sikre sleden.
2. Senk hendelen helt og lås den i senket posisjon ved å skyve anslagsstiften inn.
3. Løsne spaken på baksiden av maskinen.
4. Drei justeringssskruen for 0° skjæringsvinkel (nedre skrue) på høyre side av armen to eller tre runder mot klokken for å vippe bladet mot høyre.
5. Drei justeringssskruen for 0° skjæringsvinkelen forsiktig, til siden av bladet danner en rektangulær vinkel med overflaten av dreiefoten. Bruk trekantlinjalen, ansatslinjalen osv. som føring. Stram spaken godt etterpå.

► **Fig.60:** 1. Trekantlinjal 2. Sagblad 3. Overflate av dreiefot

6. Forsikre deg om at pekeren på armen viser 0° på skråvinkelskalaen. Hvis den ikke viser 0°, må du løsne skruen som fester pekeren og justere pekeren slik at den viser til 0°.

► **Fig.61:** 1. Skråvinkelskala 2. Peker 3. Skrue

45° skjæringsvinkel

► **Fig.62:** 1. Venstre justeringsskrue for 45° skjæringsvinkel

Juster 45°-skråvinkelen først etter at du har justert 0°-skråvinkelen.

1. Løsne spaken og vipp bladet så langt som mulig mot venstre.
2. Forsikre deg om at pekeren på armen indikerer 45° på skråvinkelskalaen. Hvis pekeren ikke viser 45°, må du dreie justeringsskruen (øvre skrue) for 45° skjæringsvinkel på høyre side av tilleggsarmen til pekerne indikerer 45°.

Etter bruk

Etter bruk, må du tørke av fliser og støv som kleber til sagen med en klut eller lignende. Hold bladvernet rene i henhold til instruksjonene i avsnittet «Bladvern». Smør glidedelene med maskinolje for å hindre at maskinen rustet.

Når du oppbevarer sagen, må sleden dras helt frem slik at skyvepolen sitter godt fast i dreiefoten.

For å opprettholde produktets SIKKERHET og PALITELIGHET, må reparasjoner, vedlikehold og justeringer utføres av autoriserte Makita servicesentre eller fabrikk-servicesentre, og det må alltid brukes reservedeler fra Makita.

VALGFRITT TILBEHØR

⚠ADVARSEL: Det anbefales at du bruker dette Makita-tilbehøret sammen med den Makita-maskinen som er spesifisert i denne håndboken. Hvis du bruker andre typer tilleggsutstyr eller tilbehør, kan det oppstå alvorlige personskader.

⚠ADVARSEL: Makita-tilleggsutstyret og -tilbehøret skal kun brukes for det formål det er beregnet for. Hvis tilleggsutstyret eller tilbehøret brukes på en annen måte eller for andre formål enn det som er angitt, kan det oppstå alvorlige personskader.

Ta kontakt med ditt lokale Makita-servicesenter hvis du trenger mer informasjon om dette tilbehøret.

- Sagblad med karbidspisser
- Skrustikkeenhet (horisontal skrustikke)
- Vertikal skrustikke
- Holderenhet
- Holderstangenhet
- Innstillingsplate
- Støvpose
- Trekantlinjal
- Sekskantnøkkel
- Makita originalbatteri og lader

MERK: Enkelte elementer i listen kan være inkludert som standardtilbehør i verktøypakken. Elementene kan variere fra land til land.

TEKNISET TIEDOT

Malli:	DLS714	
Terän halkaisija	190 mm	
Terän rungon paksuus	1,3 mm - 2,0 mm	
Reiän (karan) halkaisija (maakohtainen)	20 mm tai 15,88 mm	
Suurin jiirauskulma	Vasen 47°, Oikea 57°	
Suurin viistekulma	Vasen 45°, Oikea 5°	
Kuormittamaton kierrosnopeus	5 700 min ⁻¹	
Mitat (P x L x K)	655 mm x 430 mm x 445 mm	
Nimellisjännite	DC 36 V	
Akkupaketti	BL1815N, BL1820, BL1820B	BL1830, BL1830B, BL1840, BL1840B, BL1850, BL1850B, BL1860B
Nettopaino	13,0 kg	13,5 kg

Leikkauskapasiteetti (K x L) terällä, jonka halkaisija on 190 mm

Jiirikulma	Kallistuskulma		
	45° (vasen)	0°	5° (oikea)
0°	40 mm x 300 mm	52 mm x 300 mm	40 mm x 300 mm
	45 mm x 265 mm (HUOM. 1)	60 mm x 265 mm (HUOM. 1)	–
45° (vasen ja oikea)	40 mm x 212 mm	52 mm x 212 mm	–
	45 mm x 185 mm (HUOM. 2)	60 mm x 185 mm (HUOM. 2)	–
57° (oikea)	–	52 mm x 163 mm	–
	–	60 mm x 145 mm (HUOM. 3)	–

1. Suurin leikkauskapasiteetti käytettäessä puun paksuutta 20 mm
 2. Suurin leikkauskapasiteetti käytettäessä puun paksuutta 15 mm
 3. Suurin leikkauskapasiteetti käytettäessä puun paksuutta 10 mm
- Jatkuvasta tutkimus- ja kehitystyöstämme johtuen esitetyt tekniset tiedot saattavat muuttua ilman erillistä ilmoitusta.
 - Tekniset tiedot ja akkupaketti voivat vaihdella maittain.
 - Paino akkupaketilla, EPTA-menettelyn 01/2003 mukaan

Symbolit

Laitteessa on käytetty seuraavia symboleja. Opettele niiden merkitys ennen käyttöä.



Lue käyttöohje.



Pidä sahan pää sahausken jälkeen alhaalla, kunnes saha on kokonaan pysähtynyt. Näin vältät lentävien roskien aiheuttaman loukkaantumisen.



Kun suoritetaan liukuleikkaus, vedä ensin kuljetin täysin ulos ja paina kahva alas, työnnä sitten kuljetinta sahausvasteen suuntaan.



Älä laita käsiä tai sormia terän lähelle.



Aseta aina SIVUOHJAIN vasempaan asentoon, kun suoritetaan vasemman puolen viistoleikkauksia. Ohjeen noudattamatta jättäminen voi aiheuttaa vakavan vamman käyttäjälle.



Cd
Ni-MH
Li-ion

Koskee vain EU-maita
Älä hävitä sähkölaitteita tai akkuja tavallisen kotitalousjätteen mukana!
Sähkö- ja elektroniikkalaiteromua koskevan EU-direktiivin ja paristoja ja akkuja sekä käytettyjä paristoja ja akkuja koskevan direktiivin ja niiden maakohtaisten sovellusten mukaisesti käytetyt sähkölaitteet ja akut on toimitettava ongelmajätteen keräyspisteeseen ja ohjattava ympäristöystävälliseen kierrätykseen.

Käyttötarkoitus

Työkalu on tarkoitettu puun tarkkaan suoraan sahausseen ja jiirisahaukseen.
Älä sahaa muuta kuin puuta, alumiinia tai vastaavia materiaaleja.

Melutaso

Tyypillinen A-painotettu melutaso määräytyy standardin EN61029 mukaan:

Äänenpainetaso (L_{pA}): 88 dB (A)

Äänen voiman taso (L_{WA}): 97 dB (A)

Virhemarginaali (K): 3 dB (A)

VAROITUS: Käytä kuulosuojaimia.

Tärinä

Kokonaistärinä (kolmen akselin vektorien summa)

määräytyy standardin EN61029 mukaan:

Tärinäpäästö (a_n): 2,5 m/s² tai alaisempi

Virhemarginaali (K): 1,5 m/s²

HUOMAA: Ilmoitettu tärinäpäästöarvo on mitattu standarditestaustestimen mukaisesti, ja sen avulla voidaan vertailla työkaluja keskenään.

HUOMAA: Ilmoitettua tärinäpäästöarvoa voidaan käyttää myös altistumisen alustavaan arviointiin.

VAROITUS: Työkalun käytön aikana mitattu todellinen tärinäpäästöarvo voi poiketa ilmoitetusta tärinäpäästöarvosta työkalun käyttötavan mukaan.

VAROITUS: Selvitä käyttäjän suojaamiseksi tarvittavat varoimet todellisissa käyttöolosuhteissa tapahtuvan arvioidun altistumisen mukaisesti (ottaen huomioon käyttöjakso kokonaisuudessaan, myös jaksot, joiden aikana työkalu on sammutettuna tai käytettyä käynnillä).

VAKUUTUS EC-VASTAAVUUDESTA

Koskee vain Euroopan maita

Makita ilmoittaa, että seuraava(t) kone(et):

Koneen tunnistetiedot: Akkukäyttöinen liukujiirisaha

Mallinumero/tyyppi: DLS714

Täyttävät seuraavien eurooppalaisten direktiivien vaatimukset: 2006/42/EC

On valmistettu seuraavien standardien tai standardoitu-
jen asiakirjojen mukaisesti: EN61029

Direktiivin 2006/42/EC mukaiset tekniset tiedot ovat saatavissa seuraavasta osoitteesta:

Makita, Jan-Baptist Vinkstraat 2, 3070, Belgia
16.1.2015

Yasushi Fukaya

Johdaja

Makita, Jan-Baptist Vinkstraat 2, 3070, Belgia

Sähkötyökalujen käyttöä koskevat yleiset varoitukset

VAROITUS: Lue huolellisesti kaikki turvallisuusvaroitukset ja käyttöohjeet. Jos varoitusten ja ohjeiden noudattaminen laiminlyödään, seurausena voi olla sähköisku, tulipalo ja/tai vakava vammautuminen.

Säilytä varoitukset ja ohjeet tulevaa käyttöä varten.

Varoituksissa käytettävällä termillä "sähkötyökalu" tarkoitetaan joko verkkovirtaa käyttävää (johdollista) työkalua tai akkukäyttöistä (johdotonta) työkalua.

Akkukäyttöisen jiirisahan turvaohjeet

1. Pidä kädet poissa sahanterän liikeradalta. Vältä koskettamasta rullaavaa terää. Se voi aiheuttaa vakavan onnettomuuden.
2. Tarkista ennen käyttöä huolellisesti, ettei sahanterässä ole halkeamia tai vääntymiä. Vaihda vaurioituneet terät välittömästi.
3. Vaihda kitapala, kun se on kulunut.
4. Käytä vain valmistajan ilmoittamissa sahanteriä, jotka ovat standardin EN847-1 mukaisia.
5. Älä käytä pikateräksestä valmistettuja sahanteriä.
6. Pidä silmäsuojuksia.
7. Käytä kuulosuojaimia kuulovaurioriskin pienentämiseksi.
8. Pidä hansikkaita, kun käsittelet sahanteriä (sahanterät tulee kuljettaa kotelossa aina, kun mahdollista) ja karkeapintaisia materiaaleja.
9. Kytke jiirisahat pölynkeräyslaitteeseen sahausajan aikana.
10. Valitse sahanterät leikattavan materiaalin mukaan.
11. Kiinnitä aina kaikki liikkuvat osat paikoilleen ennen koneen kantamista. Älä käytä suojusta kantokahvana, kun nostat tai kannat työkalua.
12. Älä käytä sahaa ilman suojuksia. Varmista terän suojuksen sulkeutuminen ennen jokaista käyttökertaa. Älä käytä sahaa, jos terän suojuksen ei liiku vapaasti ja sulkeudu heti. Älä koskaan kiristä tai sido terän suojusta asentoon Auki.
13. Pidä lattia puhtaana irtomateriaalista, kuten lastuista ja leikatusta kappaleista.
14. Käytä vain sahanteriä, joihin merkitty enimmäisnopeus on vähintään yhtä suuri kuin työkaluun merkitty nopeus kuormittamattomana.
15. Jos työkalu on varustettu laserilla tai LED-valolla, älä vaihda laseria tai LED-valoa toisentyypiseen. Pyydä valtuutettua huoltoliikettä korjaamaan laite.
16. Älä koskaan irrota leikattuja kappaleita tai muita osia työkalusta työkalun ollessa käynnissä siten, että sahanterä pyörii suojaamattomana.
17. Älä suorita mitään toimenpiteitä vapaalla kädellä. Työkappale on kiinnitettävä lujasti kierroslohjalla ja sahausvastetta vasten ruuvipuristimella jokaisen toimenpiteen ajaksi. Älä koskaan pidä työkalua paikallaan käsin.
18. Varmista aina ennen sahaamista, että työkalu on vakaa.
19. Kiinnitä työkalu tarvittaessa työpenkkiin.
20. Tue pitkät työkappaleet asianmukaisilla lisätuilla.
21. Älä koskaan leikkaa niin pientä työkappaletta, ettei sitä voi kiinnittää tukevasti puristimeen. Väärin kiinnitetty työkappale voi aiheuttaa takapotkun ja vakavan tapaturman.

22. Älä koskaan kosketa sahanterää.
23. Sammuta kone ja odota, kunnes terä on pysähtynyt ennen kuin siirrät työkalupäätä tai muutat asetuksia.
24. Irrota pistotulppa virtalähteestä ja/tai akkupaketti sähkötyökalusta, ennen kuin vaihdat terää tai huollat laitetta.
25. Lukitustappi, joka lukitsee leikkausterän, on tarkoitettu vain kantamiseen ja säilytykseen eikä sitä ole tarkoitettu leikkauskäyttöön.
26. Älä käytä työkalua palavien nesteiden tai kaasujen läheisyydessä. Työkalun sähköinen toiminta voi aiheuttaa räjähdyksen ja tulipalon, jos sen läheisyydessä on syttyviä nesteitä tai kaasuja.
27. Käytä ainoastaan tälle työkalulle tarkoitettuja laippoja.
28. Ole varovainen, ettet vahingoita karaa, laippoja (erityisesti asennuspintaa) tai pulttia. Näiden osien vioittuminen voi aiheuttaa terän rikkoutumisen.
29. Varmista, että kääntöalusta on kiinnitetty kunolla, ettei se liiku käytön aikana.
30. Poista lastut, pienet osat jne. pöydältä ennen käyttöä oman turvallisuutesi takaamiseksi.
31. Vältä naulojen sahaamista. Tarkasta työkalupäle ja poista kaikki naulat ennen työstöä.
32. Varmista, että akselilukko on avattu, ennen kun virta kytketään päälle.
33. Varmista, ettei terä kosketa kääntöalustaa alimmassa kohdassa.
34. Ota koneesta luja ote. On hyvä tietää, että saha liikkuu hieman ylös- tai alaspäin sitä käynnistettäessä ja pysäytettäessä.
35. Varmista, että terä ei kosketa työkalupäätä, ennen kuin painat kytkintä.
36. Anna koneen käydä jonkin aikaa, ennen kuin alat työstää työkalupäätä. Varmista, ettei työkalupäälle tärise tai heilu, mikä voi johtua huonosta asennuksesta tai huonosti tasapainotetusta terästä.
37. Odota, kunnes terä pyörii täydellä nopeudella ennen leikkaamista.
38. Lopeta käyttö heti, jos havaitset mitään epänormaalia.
39. Älä yritä lukita liipaisinta asentoon Päällä.
40. Ole koko ajan tarkkaavainen, varsinkin toistuvan ja yksitoikkoisen käytön aikana. Älä luota väärään turvallisuuden tunteeseen. Terät ovat erittäin vaarallisia.
41. Käytä vain tässä ohjeessa suositeltuja lisävarusteita. Sopimattomien lisävarusteiden, esimerkiksi homomateriaalien, käyttö voi aiheuttaa tapaturman.
42. Ole varovainen kiinnittäessäsi terää.
43. Työskentelyssä syntyvä pöly voi sisältää syöpää, syntymävaurioita ja muita lisääntymishäiriöitä aiheuttavia kemikaaleja. Esimerkkejä tällaisista kemikaaleista ovat:
 - lyijypohjaisilla maaleilla käsiteltyjen materiaalien sisältämä lyijy
 - arsenikki ja kromi kemiallisesti käsitellyistä puutavarasta.

- Altistumisen aiheuttama riski riippuu tällaisen työn toistuvuudesta. Voit vähentää altistumista näille kemikaaleille työskentelemällä hyvin ilmastoiduissa tiloissa ja käyttämällä hyväksytyjä turvalaitteita, esimerkiksi hengityssuojaimia, jotka on tarkoitettu erityisesti mikroskooppisten hiukkasten suodattamiseen.
44. Pidä terä aina terävänä ja puhtaana rajoittaaksesi melutasoa.
 45. Koneen käyttäjä on asianmukaisesti koulutettu koneen toiminnossa, säädöissä ja käytössä.

SÄILYTÄ NÄMÄ OHJEET.

VAROITUS: ÄLÄ anna työkalun helppokäyttöisyyden tai toistuvan käytön tuudittaa sinua väärään turvallisuuden tunteeseen niin, että laiminlyöt työkalun turvaohjeiden noudattamisen. **VÄÄRINKÄYTTÖ** tai tässä käyttöohjeessa ilmoitettujen turvamääräysten laiminlyönti voi aiheuttaa vakavia henkilövahinkoja.

Akkupakettia koskevia tärkeitä turvaohjeita

1. Ennen akun käyttöönottoa tutustu kaikkiin laturissa (1), akussa (2) ja akkupäätöissä tuotteessa (3) oleviin varoitusteksteihin.
2. Älä pura akkua.
3. Jos akun toiminta-aika lyhenee merkittävästi, lopeta akun käyttö. Seurauksena voi olla ylikuumeneminen, palovammoja tai jopa räjähdys.
4. Jos akkuneustettä pääsee silmiin, huuhtele puhtaalla vedellä ja hakeudu välittömästi lääkärin hoitoon. Akkuneuste voi aiheuttaa näön menetyksen.
5. Älä oikosulje akkua.
 - (1) Älä koske akun napoihin millään sähköä johtavalla materiaaalilla.
 - (2) Vältä akun oikosulkemista äläkä säilytä akkua yhdessä muiden metalliesineiden, kuten naulojen, kolikoiden ja niin edelleen kanssa.
 - (3) Älä aseta akkua alttiiksi vedelle tai sateelle.
- Oikosulku voi aiheuttaa virtapiikin, ylikuumentumista, palovammoja tai laitteen rikkoontumisen.
6. Älä säilytä työkalua ja akkua paikassa, jossa lämpötila voi nousta 50 °C:een tai sitäkin korkeammaksi.
7. Älä hävitä akkua polttamalla, vaikka se olisi pahoin vaurioitunut tai täysin loppuun kulunut. Avotuli voi aiheuttaa akun räjähtämisen.
8. Varo kolhimasta tai pudottamasta akkua.
9. Älä käytä viallista akkua.
10. Sisältyviä litium-ioni-akkuja koskevat vaarallisten aineiden lainsäädännön vaatimukset. Esimerkiksi kolmansien osapuolten huolintaliikkeiden tulee kaupallisissa kuljetuksissa noudattaa pakkaamista ja merkintöjä koskevia erityisvaatimuksia. Lähetettävän tuotteen valmistelu edellyttää vaarallisten aineiden asiantuntijan neuvontaa. Huomioi myös mahdollisesti yksityiskohtaisen kansalliset määräykset

Akun avoimet liittimet tulee suojata teipillä tai suojuksella ja pakkaaminen tulee tehdä niin, ettei akku voi liikkua pakkauksessa.

11. Hävitä akku paikallisten määräysten mukaisesti.

SÄILYTÄ NÄMÄ OHJEET.

⚠HUOMIO: Käytä vain alkuperäisiä Makita-akkuja. Muiden kuin aitojen Makita-akkujen, tai mahdollisesti muutettujen akkujen käyttö voi johtaa akun murtumiseen ja aiheuttaa tulipaloja, henkilö- ja omaisuusvahinkoja. Se mitätöi myös Makita-työkalun ja -laturin Makita-takuun.

Vihjeitä akun käyttöön pidentämiseksi

1. Lataa akku ennen kuin se purkautuu täysin. Lopeta aina työkalun käyttö ja lataa akku, jos huomaat työkalun tehon vähenevän.
2. Älä koskaan lataa uudestaan täysin ladattua akkua. Yliilataaminen lyhentää akun käyttöikää.
3. Lataa akku huoneen lämpötilassa välillä 10 °C - 40 °C. Anna kuuman akun jäähtyä ennen lataamista.
4. Lataa akkupaketti, jos et käytä sitä pitkään aikaan (yli kuusi kuukautta).

OSIEN KUVAUS

► Kuva1

1	Lukon vapautuspainike	2	Liipaisinkytkin	3	Teräkotelo	4	Säätöruuvi (alempi raja-asento)
5	Säätöpultti (suurin leikkauskapasiteetti)	6	Lukitusvarsi	7	Pölypussi	8	Viistosahasasteikko
9	Teräsuoja	10	Pystysuuntainen kappalepuristin	11	Sahausvaste	12	Kannatin
13	Lukitusvipu (kääntöalusta)	14	Kahva (kääntöalusta)	15	Säätöpultti (kääntöalusta)	16	Lovilauta
17	Osoitin (jirrauskulma)	18	Kääntöalusta	-	-	-	-

► Kuva2

19	Liukunapa (ylempi)	20	Peukaloruuvi (ylä-liukukiskon navan lukitsemiseen)	21	Kuusioavain	22	Kiristysruuvi (pitimen lukitsemiseen)
23	Vipu (viistokulman säätö)	24	Liukunapa (alempi)	25	Peukaloruuvi (ala-liukukiskon navan lukitsemiseen)	-	-

ASENNUS

Penkin kiinnittäminen

⚠VAROITUS: Varmista, ettei työkalu pääse liikkumaan tukipinnalla. Jos jirrisaha pääsee liikkumaan tukipinnalla sahaamisen aikana, seurauksena voi olla työkalun hallinnan menettäminen ja vakava henkilövahinko.

1. Kiinnitä pohja tasaiselle ja vakaalle pinnalle, ruuvaamalla kahdella pultilla. Näin ehkäiset kaatumisen ja mahdollisen tapaturman.

► **Kuva3:** 1. Lankkuliitosterä

2. Kierrä säätöruuvia myötäpäivään tai vastapäivään työkalun tasapainossa pitämiseksi siten, että se koskettaa lattian pintaa.

► **Kuva4:** 1. Säätöpultti

TOIMINTOJEN KUVAUS

⚠VAROITUS: Varmista aina ennen säätöjä tai tarkastuksia, että laite on sammutettu ja akku on irrotettu. Jos virtaa ei katkaista eikä akkua irroteta, työkalu voi käynnistyä vahingossa ja aiheuttaa vakavan tapaturman.

Akun asentaminen tai irrottaminen

⚠HUOMIO: Sammuta työkalu aina ennen akun kiinnittämistä tai irrottamista.

⚠HUOMIO: Pidä työkalusta ja akusta tiukasti kiinni, kun irrotat tai kiinnität akkua. Jos akkupaketti tai työkalu putoaa, ne voivat vaurioitua tai aiheuttaa tapaturman.

► **Kuva5:** 1. Punainen merkkivalo 2. Painike 3. Akkupaketti

Irrota akku painamalla akun etupuolella olevaa painiketta ja vetämällä akku ulos työkalusta.

Akku liitetään sovittamalla akun kieleke rungon uraan ja työntämällä se sitten paikoilleen. Työnnä akku pohjaan asti niin, että kuulet sen napsahdavan paikoilleen. Jos painikkeen yläpuolella näkyy punainen ilmaisin, akku ei ole lukkiutunut täysin paikoilleen.

⚠️HUOMIO: Työnnä akku aina pohjaan asti, niin että punainen ilmaisin ei enää näy. Jos akku ei ole kunnolla paikallaan, se voi pudota työkalusta ja aiheuttaa vammoja joko sinulle tai sivullisille.

⚠️HUOMIO: Älä käytä voimaa akun asennuksessa. Jos akku ei liu'u paikalleen helposti, se on väärässä asennossa.

HUOMAA: Työkalu ei toimi yhdellä akulla.


Työkalun/akun suojausjärjestelmä

Työkalu on varustettu työkalu/akun suojausjärjestelmällä. Tämä järjestelmä pidentää työkalun ja akun käyttöikää katkaisemalla automaattisesti moottorin virran. Työkalu pysähtyy automaattisesti kesken käytön, jos työkalussa tai akussa ilmenee jokin seuraavista tilanteista:

Ylikuormitusuoja

Kun työkalua käytetään tavalla, joka saa sen kuluttamaan epätavallisen suuren määrän virtaa, työkalu pysähtyy automaattisesti ilman mitään merkkivaloa tai ilmaisinta. Katkaise tässä tilanteessa työkalusta virta ja lopeta ylikuormitustilan aiheuttanut käyttö. Käynnistä sitten työkalu uudelleen kytkemällä siihen virta.

Ylikuumenemissuoja

<input type="checkbox"/> päällä	<input checked="" type="checkbox"/> Viikkuu
	

Kun työkalu ylikuumentuu, työkalu pysähtyy automaattisesti ja akun merkkivalo vilkkuu noin 60 sekunnin ajan. Anna silloin työkalun jäähtyä, ennen kuin kytket työkalun uudelleen päälle.








Ylipurkautumissuoja

Jos akun varaus käy vähiin, työkalu pysähtyy automaattisesti. Jos työkalu ei toimi, vaikka kytkimiä käytetään, irrota akut työkalusta ja lataa ne.

Akun jäljellä olevan varaustason ilmaisin

► **Kuva6:** 1. Akun merkkivalo 2. Tarkistuspainike

Painamalla tarkistuspainiketta saat näkyviin akun varaustason. Kumpikin akun ilmaisin vastaa yhtä akkua.



















Akun merkkivalon tila			Akussa jäljellä oleva varaus
 Päällä	 Pois päältä	 Vilkkuu	
			50 % - 100 %
			20 % - 50 %
			0 % - 20 %
			Lataa akku

Akun jäljellä olevan varaustason ilmaisin

Vain akkupaketeille ilmaisimella

► **Kuva7:** 1. Merkkivalot 2. Tarkistuspainike



Painamalla tarkistuspainiketta saat näkyviin akun jäljellä olevan varauksen. Merkkivalot palavat muutaman sekunnin ajan.

Merkkivalot			Akussa jäljellä oleva varaus
 Palaa	 Pois päältä	 Vilkkuu	
			75% - 100%
			50% - 75%
			25% - 50%
			0% - 25%
			Lataa akku.
			Akussa on saattanut olla toimintahäiriö.
			

HUOMAA: Ilmoitettu varaustaso voi erota hieman todellisesta varaustasosta sen mukaan, millaisissa oloissa ja missä lämpötilassa laitetta käytetään.

Automaattinen nopeudenvaihtotoiminto

► **Kuva8:** 1. Tilan merkkivalo

Tilan merkkivalon tila	Toimintatila
	Suurnopeustila
	Suuren vääntömomentin tila

Tässä työkalussa on "suuren nopeuden tila" ja "suuren vääntömomentin tila". Se muuttaa toimintatilaa automaattisesti kuormituksen mukaan. Kun toimintatilan merkkivalo syttyy käytön aikana, työkalu on suuren vääntömomentin tilassa.

Rajoitintappi

⚠HUOMIO: Pidä aina kahvasta vapauttaessasi rajoitintappin. Muuten kahva ponnahtaa ylös ja saattaa aiheuttaa henkilövahinkoja.

Vapauta rajoitintappi painamalla kahvaa kevyesti alaspäin samalla, kun vedät tappin ulos.

► **Kuva9:** 1. Rajoitintappi

Teräsuojus

⚠VAROITUS: Älä koskaan ohita tai poista teräsuojusta tai siihen kiinnittyvää joustia. Jos laitetta käytetään terän jäädessä ilman suojusta, seurauksena voi olla vakava henkilövahinko.

⚠VAROITUS: Älä koskaan käytä työkalua, jos teräsuojus tai jousi on vahingoittunut, viallinen tai irronnut. Jos työkalua käytetään, vaikka suojuus on vahingoittunut, viallinen tai irronnut, seurauksena voi olla vakava henkilövahinko.

⚠HUOMIO: Pidä teräsuoja aina hyvässä käyttökunnossa turvallisen käytön varmistamiseksi. Lopeta käyttö välittömästi, jos teräsuojassa ilmenee jotain epätavallista. Tarkista varmistaaksesi suojuksen jousenpaluu toiminta.

Työkaluille, joissa on teräsuojuksen vapautusvipu

► **Kuva10:** 1. Teräsuojus A 2. Teräsuojus B

Kun alennat kahvaa, teräsuojus A nousee automaattisesti. Teräsuojus B nousee työkappaleeseen koskiesaan. Teräsuojukset ovat jousitettuja, joten ne palautuvat alkuperäiseen asentoonsa, kun leikkaus on valmis ja kahva nostettu.

Työkaluille, joissa ei ole teräsuojuksen vapautusvipua

► **Kuva11:** 1. Teräsuojus

Kun lasket kahvaa, teräsuojus nousee automaattisesti. Teräsuojus on jousitettu, joten ne palautuvat alkuperäiseen asentoonsa, kun leikkaus on valmis ja kahva nostettu.

Puhdistus

► **Kuva12:** 1. Teräsuojus

Jos läpinäkyvä teräsuojus likaantuu tai siihen kertyy sahanpurua siten, ettei terää ja/tai työkappaleita enää näy, irrota akkupaketti ja puhdista suojuus huolellisesti kostealla liinalla. Älä käytä liuottimia äläkä öljypohjaisia puhdistusaineita, sillä ne voivat vahingoittaa muovista suojusta.

Nosta teräsuojusta puhdistusta varten ohjeen "terän asentaminen tai poistaminen" mukaan.

Varmista puhdistuksen jälkeen, että palautat terän ja keskikannen ja kiristä kuusiokolopultti.

1. Varmista, että laitteen virta on sammutettu ja akku on irrotettu.

2. Käännä kuusiokolopulttia vastapäivään mukana toimitettua kuusioavainta käyttäen ja pitämällä keskikantta.

3. Nosta teräsuojus ja keskikansi.

4. Kun puhdistus on suoritettu, palauta keskikansi ja kiristä kuusiokolopultti suorittamalla edellä mainitut vaiheet päinvastaisessa järjestyksessä.

⚠VAROITUS: Älä poista joustia pitävää teräsuojusta. Jos suojuus vaurioituu iän tai ultraviolettivalolle altistumisen myötä, ota yhteys Makitan huoltopäijteen hankkiaksesi uuden suojuksen. **ÄLÄ ESTÄ SUOJUUKSEN KÄYTTÖÄ TAI POISTA SITÄ.**

Kitapalan sijoittaminen

Työkalu annetaan kääntöalustassa olevien kitapalojen kanssa minimoimaan leikkauksen poistumispuolen pölymistä. Kitapalat ovat tehtaan säätämiä, jotta sahanterä ei koskettaisi kitapaloja. Säädä kitapalat ennen käyttöä seuraavasti:

1. Varmista, että poistat akkupaketin. Löysää kaikki uurrostasoja paikallaan pitävät ruuvit (2 ruuvia sekä vasemmalla että oikealla).

► **Kuva13:** 1. Lovilauta 2. Ruuvi

2. Kiristä niitä vain sen verran, että uurrostasoja voi edelleen helposti siirtää käsin.

3. Laske kahva kokonaan alas ja lukitse se sitten ala-asentoon työntämällä rajoitintappi sisään.

4. Löysää kaksi liukutankoa varmistavaa puristinruuvia.

► **Kuva14:** 1. Peukaloruuvi

5. Vedä kuljetin kokonaan itseesi päin.

6. Säädä uurrostasot siten, että uurrostasot juuri ja juuri koskettavat terän hampaiden syrjiä.

► **Kuva15**

► **Kuva16:** 1. Sahanterä 2. Terän hampaat
3. Lovilauta 4. Vasen viistoleikkaus
5. Leikkaaminen vaakasuunnassa

7. Kiristä eturuuvit (älä kiristä liikaa).

8. Työnnä kuljetin kokonaan sahausvasteen suuntaan ja säädä uurrastasot siten, että uurrastasot juuri ja juuri koskettavat terän hampaiden syrjiä.

9. Kiristä takaruuvit (älä kiristä tiukasti).

10. Kun uurrastasojen säätö on tehty, vapauta rajoitintappi ja nosta kahva. Kiristä sitten kaikki ruuvit tiukasti.

HUOMAUTUS: Varmista viistekulman asettamisen jälkeen, että kitapalat on säädetty oikein. Kun kitapalat on säädetty oikein, työkappale pysyy tukevasti paikallaan eikä repeydy helposti irti.

Parhaan sahauskyvyn ylläpitäminen

Tämä työkalu on säädetty tehtaalla siten, että se tarjoaa suurimman mahdollisen sahauskyvyn 190 mm:n sahanterällä.

Kun asennat uuden terän, tarkista aina terän ala-asennon raja ja säädä tarvittaessa seuraavasti:

1. Poista akkupaketti. Työnnä kuljetinta kokonaan sahausvastetta kohti ja laske kahva täysin alas.

► Kuva17: 1. Säätopultti 2. Sahausvaste

2. Käytä kuusioavainta kääntääksesi säätopulttia kunnes terä tulee hieman sahausvasteen poikkileikkauksen ja kääntöalustan yläpinnan alapuolelle.

► Kuva18

3. Kun kone on irrotettuna pistorasiasta, käännä terää käsin pitäen kahva kokonaan alhaalla varmistuaksesi, ettei terä kosketa mitään kohtaa alajalustassa. Hienosäädä tarvittaessa.

VAROITUS: Kun olet kiinnittänyt uuden terän akun ollessa irrotettuna, varmista aina, että terä ei kosketa mihinkään alustan kohtaan, kun kahva on kokonaan alhaalla. Jos terä koskettaa alustaa, seurauksena voi olla takapotku ja vakava henkilövahinko.

► Kuva19

Lukitusvarsi

Terän alemmaa raja-asentoa voi helposti säätää lukitusvarren avulla. Siirrä lukitusvartta kuvan osoittamalla tavalla nuolen osoittamaan suuntaan sen säätämiseksi. Käännä säätöruuvia ja paina kahva kokonaan alas tarkistaaksesi tuloksen.

► Kuva20: 1. Säätöruuvi 2. Lukitusvarsi

Ala-aita

Maakohtainen

HUOMIO: Jos viistesahaat vasemmalle, käännä apuvaste ulospäin. Muuten se voi koskettaa terää tai muuta työkalun osaa, mikä voi aiheuttaa käyttäjälle vakavia vammoja.

► Kuva21: 1. Ala-aita

Tämä työkalu on varustettu apuvasteella. Apuvaste sijoitetaan tavallisesti sisäpuolelle. Jos kuitenkin viistesahaat vasemmalle, se on käännettävä ulkopuolelle.

Leikkauskorkeuden säätäminen

► Kuva22: 1. Kääntöalusta 2. Osoitin 3. Viistoasteikko 4. Lukitusvipu 5. Kädensija

1. Löysää kädensijaa kääntämällä sitä vastapäivään.
2. Paina alas lukitusvipua ja pidä painettuna ja säädä kääntöalustan kulma. Käytä osoitinta ja viistoasteikkoa oppaana.
3. Kiristä kädensija myötäpäivään lujasti.

HUOMIO: Viistokulman vaihtamisen jälkeen varmista aina kääntöalusta kiristämällä kädensijaa tiukasti.

HUOMAUTUS: Kääntöalustaa käännettäessä varmista, että nostat kahvan täysin.

Kallistuskulman säätäminen

Säädä kallistuskulmaa löysäämällä työkalun takana oleva vipu kiertämällä sitä vastapäivään.

► Kuva23: 1. Vipu 2. Vapautuspainike

Kallista terää vasemmalle, pidä kädensijasta ja kallista kuljetinta. Käytä vinosahausteikkoo ja osoitinta oppaana. Kiristä sitten vipua myötäpäivään hyvin varren varmistukseksi.

► Kuva24: 1. Osoitin 2. Viistosahausteikko 3. Varsi

Kallista terää oikealle, pidä kahvaa ja kallista kuljetinta hieman vasemmalle ja työnnä vapautuspainiketta. Painaen vapautusnapia alas, kallista sahanterää oikealle. Kiristä sitten vipu tiukasti.

HUOMIO: Kun olet muuttanut kallistuskulman, kiinnitä varsi aina kiristämällä vipu myötäpäivään kiertämällä.

HUOMAUTUS: Varmista sahanterää kallistaessasi, että kahva on kokonaan ylhäällä.

HUOMAUTUS: Kallistuskulmaa vaihtaessasi, sijoita kitapalat varmasti asianmukaisesti, kuten "Kitapalojen sijoittaminen" osassa on selitetty.

Lukkovivun säätö

Jos vipu ei ajan mittaan riitä kiristämiseen täysin, muuta vivun asentoa. Vipua voidaan sijoittaa uudelleen 30°:een väleihin.

Löysää ja poista vivun varmistava ruuvi. Poista vipu ja asenna se uudelleen siten, että se on hieman vaakatason yläpuolella. Kiristä vipu sitten tiukasti ruuvilla.

► Kuva25: 1. Vipu 2. Ruuvi

Kytkimen käyttäminen

VAROITUS: Varmista aina ennen akkupaketin asentamista työkaluun, että liipaisinkytkin toimii moitteettomasti ja palautuu vapautettaessa OFF-asentoon. Jos työkalua käytetään, vaikka kytkin ei toimi moitteettomasti, seurauksena voi olla vakava henkilövahinko.

VAROITUS: Älä käytä lukkoa, jonka sangan tai vaijerin läpimitta on alle 6,35 mm. Jos sanka tai vaijeri on tätä ohuempi, työkalu ei lukkiudu asianmukaisesti OFF-asentoon ja saattaa käynnistyä vahingossa, mistä voi seurata vakava henkilövahinko.

VAROITUS: ÄLÄ koskaan käytä sahaa, jos liipaisinkytkin ei toimi moitteettomasti. Epäkuuntoisella kytkimellä varustettu kone on ERITTÄIN VAARALLINEN. Se tulee korjata välittömästi ennen käytön jatkamista vakavien henkilövahinkojen välttämiseksi.

VAROITUS: Käyttäjän turvallisuuden vuoksi sahassa on lukituksen vapautuspainike, joka estää sahan käynnistämisen vahingossa. ÄLÄ koskaan käytä sahaa, jos se käynnistyy pelkästään liipaisinkytkintä painamalla ilman, että painaisit lukituksen vapautuspainiketta. Jos kytkin on viallinen, laite saattaa käynnistyä vahingossa, mistä voi seurata vakava henkilövahinko. Toimita saha Makita-huoltoon korjattavaksi ENNEN kuin jatkat käyttöä.

VAROITUS: ÄLÄ KOSKAAN ohita lukituksen vapautuspainiketta teippaamalla sitä kiinni tai muulla tavoin. Jos kytkimen lukituksen vapautuspainike vapautetaan, laite saattaa käynnistyä vahingossa, mistä voi seurata vakava henkilövahinko.

HUOMAUTUS: Älä vedä kytkimen liipaisinta voimakkaasti, ellet samalla paina lukituksen vapautusnappia. Kytkin voi rikkoutua.

Työkaluille, joissa on teräsuojuksen vapautusvipu

Lukituksen vapautusnappi ehkäisee liipaisinkytkimen tahattoman vetämisen. Käynnistä työkalu painamalla lukituksen vapautuspainiketta ylöspäin ja paina sitten liipaisinkytkintä. Voit pysäyttää työkalun vapauttamalla liipaisimen.

Lukituksen vapautuspainiketta voidaan painaa vasemmalta tai oikealta puolelta.

Liipaisinkytkimessä on reikä, johon voi kiinnittää riippulukon työkalun lukitsemista varten.

- **Kuva26:** 1. Teräsuojuksen vapautusvipu
2. Liipaisinkytkin 3. Lukon vapautuspainike 4. Reikä riippulukkoa varten

Työkaluille, joissa ei ole teräsuojuksen vapautusvipua

Lukituksen vapautusnappi ehkäisee liipaisinkytkimen tahattoman vetämisen. Käynnistä saha painamalla lukituksen vapautuspainiketta sisään ja vetämällä liipaisinkytkimestä. Voit pysäyttää työkalun vapauttamalla liipaisimen.

Lukituksen vapautuspainiketta voidaan painaa vasemmalta tai oikealta puolelta.

Liipaisinkytkimessä on reikä, johon voi kiinnittää riippulukon työkalun lukitsemista varten.

- **Kuva27:** 1. Lukon vapautuspainike 2. Liipaisinkytkin 3. Reikä riippulukkoa varten

KOKOONPANO

VAROITUS: Varmista aina ennen kaikkia kunnossapitotoimia, että laite on sammutettu ja akku on irrotettu. Jos laitetta ei sammuteta eikä akkupakettia irroteta, seurauksena voi olla vakava henkilövahinko.

Kuusioavaimen varastointi

Kuusioavainta säilytetään kuvan osoittamalla tavalla. Kun tarvittes kuusioavainta, vedä se irti avaimen pitimestä.

Voit palauttaa kuusioavain käytön jälkeen avaimen pitimeen.

- **Kuva28:** 1. Kiintoavaimen pidin 2. Kuusioavain

Sahanterän kiinnittäminen ja irrottaminen

VAROITUS: Varmista aina ennen terän kiinnittämistä ja irrottamista, että laite on sammutettu ja akku irrotettu. Työkalun käynnistäminen vahingossa saattaa aiheuttaa vakavan henkilövahingon.

HUOMIO: Käytä terän irrottamiseen ja kiinnittämiseen vain mukana toimitettua Makitan kuusioavainta. Muuten seurauksena voi olla kuusiokolopultin yli- tai alikiinnittäminen. Tämä saattaa aiheuttaa vamman.

Irrota terä seuraten seuraavia vaiheita:

1. Lukitsee kahva nostettuun asentoon työntämällä lukkotappi sisään.
► **Kuva29:** 1. Rajoitintappi
2. Käytä sitten kuusioavainta löysentääksesi keskimmäistä kantta pitävää kuusiokolopulttia siten, että käännät sitä vastapäivään. Nosta sitten teräsuojusta ja keskikantaa.
► **Kuva30:** 1. Keskikansi 2. Kuusiokolopultti 3. Kuusioavain 4. Teräsuojus
3. Lukitsee kara painamalla akselilukkoa ja löysää kuusiokolopulttia kiertämällä sitä myötäpäivään kuusioavaimella. Irrota sitten kuusiokolopultti, ulkolaippa ja terä.
► **Kuva31:** 1. Akselilukko 2. Kuusiokolopultti 3. Ulkolaippa
4. Jos sisälaippa irrotetaan, asenna karaan siten, että sen teränkiinnikeosa osoittaa terää kohti. Jos laippa asennetaan väärin, se hankaa konetta vasten.
► **Kuva32:** 1. Ulkolaippa 2. Sahanterä 3. Sisälaippa 4. Kuusiokolopultti (vasenkätinen) 5. Kara 6. Teränkiinnikeosa

Asenna terä seuraten seuraavia vaiheita:

1. Asenna terä varovasti sisempään laippaan. Varmista, että terän pinnalla olevan nuolen suunta on sama, kuin terän kotelossa olevan nuolen suunta.
► **Kuva33:** 1. Sahanterä 2. Nuoli
2. Asenna ulkolaippa ja kuusiokoloruuvi ja kiristä siten kuusiokoloruuvi (vasenkätinen) tiukasti kiertämällä sitä kuusioavaimella vastapäivään samalla akselilukkoa painaen.
3. Palauta teränsuojus ja keskiuojus alkuperäiseen asentoonsa. Kiinnitä sitten keskiuojus paikalleen kiristämällä kuusiokoloruuvi myötäpäivään.
4. Vapauta kahva yläasennosta vetämällä rajoitintappia. Varmista kahvaa laskemalla, että teränsuojus liikkuu oikein.
5. Varmista ennen sahaamista, että karalukitus on vapauttanut karan.

Työkaluun, jossa on 15,88 mm:n reiällä varustettuun sahanterään sopiva sisälaippa

Maakohtainen

Kiinnitä sisälaippa akseliin siten, että sen syvennys on ulospäin, ja aseta sitten sahanterä (tarvittaessa renkaan kanssa), ulkolaippa ja kuusiopultti paikalleen.

Työkaluille, jossa ei ole rengasta

- **Kuva34:** 1. Ulkolaippa 2. Sahanterä 3. Sisälaippa 4. Kuusiokolopultti (vasenkätinen) 5. Kara

Työkaluille, jossa on rengas

- **Kuva35:** 1. Ulkolaippa 2. Sahanterä 3. Sisälaippa 4. Kuusiokolopultti (vasenkätinen) 5. Rengas 6. Kara

VAROITUS: Jos rengasta tarvitaan terän sovitamiseen karalle, varmista aina, että sisä- ja ulkolaippojen väliin on asennettu käytettävän terän akselin reikään sopiva rengas. Vääränlaisen renkaan käyttäminen voi aiheuttaa terän virheellisen kiinnityksen, jolloin terä pääsee liikkumaan ja tärisee voimakkaasti, minkä seurauksena voi olla työkalun hallinnan menetys ja vakava henkilövahinko.

Työkalulle, jossa on jokin muu kuin 20 mm:n tai 15,88 mm:n reiällä varustetulle terälle tarkoitettu sisälaippa

Maakohtainen

Sisemmällä laipalla on tietty halkaisija teränkiinnikeosan yhdellä puolella ja eri halkaisija terän teräkiinnikeosan toisella puolella. Valitse oikea puoli, johon teränkiinnikeosa sopii terän reikään täydellisesti.

- **Kuva36:** 1. Ulkolaippa 2. Sahanterä 3. Sisälaippa
4. Kuusiokolopultti (vasenkätinen) 5. Kara
6. Teränkiinnikeosa

HUOMIO: Varmista, että sisälaipan teränkiinnikeosan ulospäin osoittava "a" sopii tarkasti sahanterän reikään "a". Terän asentaminen väärälle puolelle saattaa aiheuttaa vaarallista tärinää.

Pölypussi

Lisävaruste

Pölypussin käytön ansiosta sahaaminen on siistää ja pölyn kerääminen helppoa.

Pölypussi kiinnitetään asentamalla se pölysuuttimen päälle.

Kohdista kiinnittimen yläpää pölypussissa olevaan kolmiomerkkiin ja kiinnitä se paikalleen.

Kun pölypussi on täyttynyt noin puoliksi, irrota pölypussi koneesta ja vedä suljin irti. Tyhjennä pussin sisältö napauttamalla sitä kevyesti siten, että sisään tarttuneet hiukkaset irtoavat. Näin ne eivät jää haittaamaan tulevaa pölynkeräystä.

- **Kuva37:** 1. Pölypussi 2. Pölysuutin 3. Kiinnitin

HUOMAA: Sahaaminen on siistimpää, kun liität sahaan pölynimurin.

Työkappaleen kiinnittäminen

VAROITUS: Työkappale pitää aina tukeaa asianmukaisesti käyttämällä oikeanlaista ruuvipuristinta. Muutoin seurauksena voi olla vakava henkilövahinko ja laitteen ja/tai työkappaleen vahingoittuminen.

VAROITUS: Tukijalustaa pidempää työkappaleta sahattaessa materiaali pitää tukeaa koko tukijalustan ylittävältä pituudeltaan ja yhtä korkealta kuin jalusta siten, että materiaali pysyy samassa tasossa. Työkappaleen asianmukainen tukeminen ehkäisee terän jumiumutuksen ja mahdollisen takapotkun, mikä voi aiheuttaa vakavan henkilövahingon. Älä luota yksinomaan pystytenkkiin ja/tai vaakapenkkiin työkappaleen kiinnityksessä. Ohuella materiaalilla on taipumus notkua. Kannata työkappaleta koko sen pituudessaan välttääksesi terän jumiumutuksen ja mahdollisen TAKAPOTKUN.

- **Kuva38:** 1. Tuki 2. Kääntöalusta

Pystysuuntainen kappalepuristin

VAROITUS: Työkappale on kiinnitettävä lujasti kääntöalustaa ja sahausvastetta vasten ruuvipuristimella jokaisen toimenpiteen ajaksi. Muuten materiaali saattaa liikkua leikkaustoiminnan aikana, vahingoittaa terää ja sinkoutua, mikä saattaa johtaa hallinnan menettämiseen ja aiheuttaa vakavia henkilövahinkoja.

Asenna pystysuora ruuvipenkki joko sahausvasteen tai kannattimen (lisävaruste) vasemmalle tai oikealle puolelle. Työnnä puristimen tanko sahausvasteen reikään tai kannattimeen ja kiinnitä se paikalleen kiristämällä puristimen alempi ruuvi.

- **Kuva39:** 1. Puristimen varsi 2. Puristimen tanko
3. Sahausvaste 4. Kannatin 5. Tukipöytä
6. Puristimen nuppi 7. Alempi ruuvi
8. Ylempi ruuvi

Aseta puristin työkappaleen paksuuden ja muodon mukaisesti ja kiinnitä puristimen varren kiristämällä ylempi kiristysruuvi. Jos puristimen varren kiinnittävä ruuvi koskee sahausvasteeseen, asenna ylempi ruuvi puristimen varren toiselle puolelle. Varmista, ettei laitteen mikään osa kosketa ruuvipuristinta silloin, kun painat terän täysin alas ja vedät tai työnnät kuljetinta loppuun asti. Jos jokin osa koskettaa ruuvipuristinta, sijoita ruuvipuristin uudestaan.

Purista työkappale tukevasti sahausvastetta ja kierospohjaa vasten. Aseta työkappale haluttuun asentoon ja kiinnitä se tukevasti kiristämällä puristimen kiristysnuppi.

Vaakapuristin

Lisävaruste

VAROITUS: Tartu työkappaleeseen ainoastaan silloin, kun ilmaisin on ylimmässä asennossa. Tämän laiminlyönti voi aiheuttaa työkappaleen puutteellisen kiinnittämisen. Tämä saattaa aiheuttaa työkappaleen sinkoutumisen, aiheuttaa vahinkoa terälle tai aiheuttaa hallinnan menetyksen, mikä saattaa aiheuttaa henkilövahinkoja.

- **Kuva40:** 1. Puristimen nuppi 2. Ilmaisin
3. Puristimen akseli 4. Alusta

Vaakasuoja ruuvinpuristin voidaan asentaa pohjan vasemmalle puolelle.

Kääntämällä ruuvinpuristimen nuppia vastapäivään, ruuvi vapautuu ja ruuvinpuristimen akselia voidaan liikuttaa nopeasti sisään ja ulos. Kääntämällä ruuvinpuristimen nuppia myötäpäivään, ruuvi pysyy kiinnitettynä. Tartu työkappaleeseen kääntämällä ruuvinpuristimen nuppia hellävaraisesti myötäpäivään, kunnes osoitin saavuttaa ylimmän asentonsa ja kiinnitää sitten tukevasti. Jos ruuvinpuristimen nuppi on pakotettu sisään tai vedetty ulos samaan aikaan, kun käännät sitä myötäpäivään, osoitin saattaa pysähtyä tiettyyn kulmaan. Tässä tapauksessa kierrä ruuvinpuristimen nuppia takaisin vastapäivään kunnes ruuvi vapautuu ja kierrä sitä taas hellävaraisesti myötäpäivään. Vaakasuuhtaisen ruuvinpuristimen enimmäiskapasiteetti on 120 mm:n leveys.

Kannattimet ja tukipöytä

Lisävaruste

VAROITUS: Tue pitkä työkappale aina siten, että se on kääntöjalustan yläpinnan kanssa samassa tasossa. Tällä varmistetaan tarkka sahaus ja estetään vaarallinen työkalun hallinnan menettäminen. Työkappaleen asianmukainen tukeminen ehkäisee terän jumittumisen ja mahdollisen takapotkun, mikä voi aiheuttaa vakavan henkilövahingon.

Kannattimet ja tukipöytä (valinnainen lisävaruste) voidaan asentaa työkappaleen kummalle puolelle tahansa vaakasuojaan kannatukseen sopivana keinona.

Asenna ne työkalun sivulle ja kiristä ruuvit tiukasti niiden varmistamiseksi.

- **Kuva41:** 1. Kannatin 2. Tukipöytä

Pitkiä työkappaleita leikatessa käytä kannatintanko-yhdistelmää (vaihtoehtoinen lisävaruste). Se koostuu kahdesta tukipöydästä ja 2:sta tangosta 12.

- **Kuva42:** 1. Tukipöytä 2. Tanko 12

TYÖSKENTELY

VAROITUS: Varmista ennen kytkimen käynnistämistä, että terä ei kosketa työkappaletta tms. Jos työkaluun kytketään virta terän koskettaessa työkappaletta, seurauksena voi olla takapotku ja vakava henkilövahinko.

VAROITUS: Kun olet lopettanut sahaamisen, älä nosta terää ylös, ennen kuin se on kokonaan pysähtynyt. Jos terä nostetaan sen vielä pyöriessä, seurauksena voi olla vakava henkilövahinko ja työkappaleen vahingoittuminen.

VAROITUS: Älä koske kiinnitysruuveihin, jotka varmistavat liukunavat sahanterän pyöriessä. Muussa tapauksessa työkalun ohjaus voidaan menettää ja saattaa aiheutua henkilövahinkoja.

HUOMAUTUS: Ennen käyttöä, vapauta ensin kahva kuljetusasennosta vapauttamalla lukitustappi.

HUOMAUTUS: Älä sovelle liikaa painetta kahvaan leikatessa. Liiallinen painaminen voi ylikuormittaa moottoria ja/tai heikentää sahaustehoa. Paina kahvaa vain sen verran kun on tarpeen, jotta sahaus sujuu tasaisesti ilman, että terän nopeus laskee merkittävästi.

HUOMAUTUS: Sahaa painamalla kahvaa kevyesti alas. Jos kahvaa painetaan voimakkaasti tai sitä painetaan sivusuunnassa, terä saattaa alkaa väristä jättäen jäljen (sahaus-) työkappaleeseen ja sahauksen tarkkuus voi kärsiä.

HUOMAUTUS: Paina liukuleikkauksen aikana hellävaraisesti kuljetinta pysähtymättä sahausvastetta päin. Jos kuljettimen liike pysäytetään leikkauksen aikana, työkappaleeseen voi jäädä jälki ja leikkauksen tarkkuus saattaa huonontua.

Puristinleikkaus (pienien työkappaleiden leikkaus)

VAROITUS: Kiristä lujasti ne kaksi kiristysruuvia myötäpäivään, jotka varmistavat liukunavat, jottei kuljetin pääsisi liikkumaan toiminnan aikana. Jos lukitusruuvia ei kiristetä riittävästi, seurauksena voi olla takapotku, joka voi aiheuttaa vakavan henkilövahingon.

- **Kuva43**

Enintään 52 mm korkeita ja 97 mm leveitä työkappaleita voidaan sahata seuraavalla tavalla.

1. Työnnä kuljetinta sahausvastetta päin täysin ja kiristä ne kaksi kiristysruuvia myötäpäivään, jotka varmistavat liukunavat, kuljettimen varmistamiseksi.
2. Tue työkappale paikalleen oikeanlaisella ruuvinpuristimella.
3. Kytke laite päälle ilman terän kosketusta ja odota, kunnes terä saavuttaa täyden nopeuden ennen sen alentamista.
4. Alenna sitten hellävaraisesti kahvaa täysin alennettuun asentoon työkappaleen sahaamista varten.

5. Kun leikkaus on valmis, kytke laite pois päältä ja odota, kunnes terä on täysin pysähtynyt ennen kuin nostat terän täysin kohotettuun asentoonsa.

Liukuleikkaus (työntö) (leveiden työkalujen leikkaus)

VAROITUS: Vedä työntösahausta tehdessäsi kuljetin aina ensin kokonaan itseesi päin ja paina kahva kokonaan alas. Työnnä kuljetin sitten kohti sahausvastetta. **ÄLÄ KOSKAAN ALOITA SAHAUSTA, ELLEI KELKKA OLE KOKONAAN VEDETTYÄNÄ ITSEESI PÄIN.** Jos työntösahaat ilman, että kuljetin on vedetty kokonaan itseesi päin, seurauksena voi olla odottamaton takapotku, mikä voi aiheuttaa vakavan henkilövahingon.

VAROITUS: Älä koskaan sahaa vetämällä kelkkaa itseesi päin. Jos vedät kuljetinta sahattaessa itseesi päin, seurauksena voi olla odottamaton takapotku, mikä voi aiheuttaa vakavan henkilövahingon.

VAROITUS: Älä koskaan työntösahaa, kun kahva on lukittu ala-asentoon.

VAROITUS: Älä koskaan löysennä nuppia, joka varmistaa kuljettimen sillä aikaa, kun terä pyörii. Jos kuljetin on sahattaessa löysällä, seurauksena voi olla odottamaton takapotku, mikä voi aiheuttaa vakavan henkilövahingon.

► Kuva44

1. Löysää ne kaksi kiristysruuvia vastapäivään, jotka varmistavat liukunavat, jotta kuljetin voisi liukua vapaasti.
2. Tue työkalua paikalleen oikeanlaisella ruuvipuristimella.
3. Vedä kuljetin kokonaan itseesi päin.
4. Käynnistä kone ilman, että terä osuu mihinkään, ja odota, että terä on saavuttanut täyden nopeuden.
5. Paina kahva alas ja työnnä kuljetinta kohti sahausvastetta työkaluun läpi.
6. Kun leikkaus on valmis, kytke laite pois päältä ja odota, kunnes terä on täysin pysähtynyt ennen kuin nostat terän täysin kohotettuun asentoonsa.

Jiirisahaus

Katso aiempaa kohtaa "Jiirikulman säätäminen".

Kallistussahaus

VAROITUS: Kun olet asettanut terän viistesahausta varten, varmista ennen työkalun käyttämistä, että kuljetin ja terä liikkuvat vapaasti koko sahauspituudella. Jos kuljetin tai terän liike pysähtyy sahaamisen aikana, seurauksena voi olla takapotku ja vakava henkilövahinko.

VAROITUS: Pidä kätesi poissa terän tieltä viistesahaamisen aikana. Terän kulma saattaa sahattaessa aiheuttaa terän liikeradan virhearvioinnin, mistä seuraa vakava henkilövahinko.

VAROITUS: Terän saa nostaa vasta, kun se on täysin pysähtynyt. Irti sahattu kappale saattaa painua terää vasten viistesahaamisen aikana. Jos terää nostetaan sen pyöriessä, sahattu kappale saattaa sinkoutua irti terästä ja aiheuttaa materiaalin rikkoutumisen ja sen seurauksena vakavan henkilövahingon.

HUOMIO: (Vain työkaluille, joissa on ala-aita) Sijota ala-aita aina ulkopuolelle, kun viistesahaat vasemmalle.

► Kuva45

1. Löysää vipua ja kallista sahanterää asettaaksesi viisteityskulma (Ks. aikaisemmin selostettua "Viisteityskulman asetus" osaa.) Kiristä vipu uudelleen lujuasti varmistaksesi valitun viisteityskulman turvallisesti.
2. Varmista työkaluun ruuvipuristimessa.
3. Vedä kuljetin kokonaan itseesi päin.
4. Käynnistä kone ilman, että terä osuu mihinkään, ja odota, että terä on saavuttanut täyden nopeuden.
5. Paina sitten varovasti sahanterä täysin ala-asentoon terän suuntaisesti ja työnnä terää sahausvastetta kohti työkaluun leikkaamiseksi.
6. Kun leikkaus on valmis, kytke laite pois päältä ja odota, kunnes terä on täysin pysähtynyt ennen kuin nostat terän täysin kohotettuun asentoonsa.

HUOMAUTUS: Kun painat alas kahvaa, sovelta painetta rinnakkain terän kanssa. Jos voima kohdistetaan kohtisuorasti kääntöalustaan tai jos paineen suuntaa muutetaan leikkauksen aikana, leikkauksen tarkkuus huononee.

Yhdistelmäsaahas

Yhdistetyssä sahauskoneessa työkaluun tehdään samanaikaisesti viiste- ja jiirisahaus. Yhdistetty sahaus voidaan tehdä oikean taulukon osoittamissa kulmissa.

Jiirikulma	Kallistuskulma
Vasen ja oikea 45°	Vasen 0° - 45°
Oikea 50°	Vasen 0° - 40°
Oikea 55°	Vasen 0° - 30°
Oikea 57°	Vasen 0° - 25°

Kun teet yhdistetyn leikkauksen, se koskee "Puristinleikkaus", "Liukuleikkaus", "Viisteileikkaus" ja "Viisteitysleikkaus" osien selityksiä.

Kruunumallisten ja koverien reunalistojen sahaus

Kruunumalliset ja koverat reunalistat voidaan sahata yhdistelmäjiirisahalla asettamalla listat vaakatasoon kääntölevylle.

Kruunumallisten reunalistojen yleisesti käytettyjä tyypppejä on kaksi ja koverien reunalistojen tyypppejä yksi; 52/38° kruunumallinen seinämäkulma, 45° kruunumallinen seinämäkulma ja 45° kovera seinäkulma.

► **Kuva46:** 1. 52/38°-tyypin reunalista 2. 45°-tyypin reunalista 3. 45°-tyypin kovera lista

Kruunumalliset ja koverat liitokset, jotka tehdään sopiviksi 90°-kulman "sisälle" ((ja) (b) kuvassa) tai 90°-kulman "ulkopuolelle" ((c) ja (d) kuvassa).

► **Kuva47:** 1. Sisäkulma 2. Ulkokulma

► **Kuva48:** 1. Sisäkulma 2. Ulkokulma

Mittaus

Mittaa seinän leveys ja leveyden säätämiseksi työkalupaleen sen mukaan. Varmista aina, että työkalupaleen seinän kosketusreunan leveys on sama kuin seinän pituus.

► **Kuva49:** 1. Työkappale 2. Seinän leveys 3. Työkappaleen leveys 4. Seinän kosketusreuna

Käytä aina useita testisahauksia sahauskulmien tarkistamiseen.

Aseta kruunumallisia ja koveria reunalistoja sahattaessa viistekulma ja jiirisahauskulma taulukon (A) mukaisesti ja aseta listat sahausalustalle taulukon (B) mukaisesti.

Kun kyseessä on vasemmanpuoleinen viistesahaus

► **Kuva50:** 1. Sisäkulma 2. Ulkokulma

Taulukko (A)

–	Kuvassa reunan muoto-asento	Kallistuskulma		Jiirikulma	
		52/38°-tyyppi	45°-tyyppi	52/38°-tyyppi	45°-tyyppi
Sisäkulmaan	(a)	Vasen 33,9°	Vasen 30°	Oikea 31,6°	Oikea 35,3°
	(b)			Vasen 31,6°	Vasen 35,3°
Ulkokulmaan	(c)	Vasen 33,9°	Vasen 30°	Oikea 31,6°	Oikea 35,3°
	(d)			Vasen 31,6°	Vasen 35,3°

Taulukko (B)

–	Kuvassa reunan muotoasento	Reunan muoto sahausvastetta vasten	Valmis kappale
Sisäkulmaan	(a)	Katon kosketusreunan tulee olla sahausvastetta vasten.	Valmis kappale tulee terän vasemmalle puolelle.
	(b)	Seinän kosketusreunan tulee olla sahausvastetta vasten.	Valmis kappale tulee terän oikealle puolelle.
Ulkokulmaan	(c)	Katon kosketusreunan tulee olla sahausvastetta vasten.	Valmis kappale tulee terän vasemmalle puolelle.
	(d)	Katon kosketusreunan tulee olla sahausvastetta vasten.	Valmis kappale tulee terän oikealle puolelle.

Esimerkki:

Kun kyseessä on 52/38° kruunumallisen reunalistan sahaus asentoon (a) kuvan yllä:

- Kallista ja lukitse kallistuskulma-asetukseksi 33,9° VASEN.
- Säädä ja lukitse jiirisahauskulma-asetukseksi 31,6° OIKEA.
- Aseta kruunulista leveää selkäpuoli (piilossa) alaspäin kääntölevylle siten, että SISÄKATTOA KOSKETTAVA REUNA tulee sahan sahausvastetta vasten.
- Valmis kappale tulee sahausuksen jälkeen aina terän VASEMMALLE puolelle.

Alumiinisten puristetankojen sahaaminen

► **Kuva51:** 1. Ruuvipuristin 2. Välikappale 3. Sahausvaste 4. Alumiininen puristetanko 5. Välikappale

Kun kiinnität alumiinisia puristetankoja, käytä välikkeitä tai jätepaloja kuvan osoittamalla tavalla estääksesi alumiinin vääntymisen. Käytä sahausöljyä sahattessasi alumiinisia puristetankoja ehkäistäksesi alumiinin kertymisen terään.

!HUOMIO: Älä koskaan sahaa paksuja tai pyöreitä alumiinisia puristetankoja. Paksut alumiiniset puristetangot voivat irrota työskentelyn aikana eikä pyöreitä tankoja voida kiinnittää tukevasti tähän työkaluun.

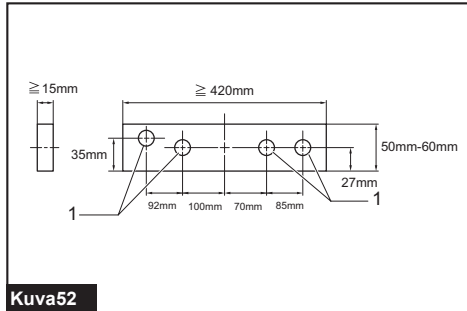
Sahausvasteen puusovitin

!VAROITUS: Käytä ruuveja kiinnittäaksesi puun päällyys sahausvastetta kohti. Ruuvit tulee kiinnittää siten, että ruuvien kannat jäävät puukehyksen pinnan sisään, jotta ne eivät häiritse sahattavan materiaalin asettelua paikaleen. Jos sahattava materiaali ei ole suorassa, se voi liikahdella odottamattomasti sahaamisen aikana, mistä voi seurata hallinnan menettäminen ja vakava henkilövahinko.

▲HUOMIO: Käytä puusovitteenä suoraa, tasapaksua puuta.

Sahausvasteen puusovittimen käyttö auttaa varmistamaan työkalupaleiden repimättömän leikkaan. Kiinnitä puusovite sahausvasteeseen sahausvasteessa olevia reikiä käyttäen.

Katso kuvaa suositeltua puusovittimen mittasuhdetta koskien.



Kuva52

► **Kuva52:** 1. Reiät

HUOMAUTUS: Kun puusovite on kiinnitetty, älä käännä kierroslohjaa terän ollessa aliasennossa. Terä ja/tai puusovite vahingoittuvat.

Toistuvien pituuksien leikkaaminen

Kun leikkaat monta palaa tukkia samanpituiseksi, jotka ulottuvat 220 mm:stä 385 mm:iin, asetuskilven käyttö (vaihtoehtoinen lisävaruste) helpottaa toimintaa. Aseta asetuskilpi kannattimeen (vaihtoehtoinen lisävaruste) kuvan osoittamalla tavalla.

► **Kuva53:** 1. Kiinnityslevy 2. Kannatin 3. Ruuvi

Aseta työkalupaleen leikkauskohta kitapalassa olevan uran joko vasemmalle tai oikealle puolelle ja samalla, kun estät työkalupalaa liikkumasta, siirrä asetuskilpi työkalupaleen päähän. Kiinnitä sitten asetuskilpi ruuvilla. Kun asetuskilpi ei ole käytössä, löysää ruuvia ja käännä asetuskilpi pois tieltä.

HUOMAA: Kannatintanko-yhdistelmän käyttö (vaihtoehtoinen lisävaruste) sallii toistuvien pituuksien leikkaamisen noin 2 200 mm:iin saakka.

Uran leikkaus

▲VAROITUS: Älä tee tällaista sahausta leveällä terällä tai dado-terällä. Urasahauksen tekeminen leveällä terällä tai dado-terällä saattaa huonontaa sahausjälkeä ja aiheuttaa takapotkun, josta voi seurata vakava henkilövahinko.

▲VAROITUS: Varmista, että palautat pysäytinvaren alkuperäiseen asentoonsa, kun teet muuta, kuin uran leikkaamisen. Sahaamisen aloittaminen rajoitinvarren ollessa vääärässä asennossa voi huonontaa sahausjälkeä ja aiheuttaa takapotkun, josta voi seurata vakava henkilövahinko.

Toimi seuraavasti dado-typin sahausksen toteuttamiseksi:

1. Säädä terän alempi raja-asento säätöruuvia käyttäen ja käytä pysäytinvartta terän leikkaussyvyyden rajoittamiseksi. Katso aiempaa kohtaa "Pysäytinvarsi".
2. Terän alemman raja-asennon säätämisen jälkeen, leikkaa rinnakkaiset urat työkalupaleen leveyttä pitkin liukuleikkausta (työntö) käyttäen kuvan osoittamalla tavalla.
► **Kuva54:** 1. Leikkaa urat terällä
3. Poista sitten työkalupaleen materiaali urien välistä taitalla.

Koneen kantaminen

▲VAROITUS: Rajoitintappi on tarkoitettu ainoastaan kantamista ja säilytystä varten. Niitä ei saa käyttää sahattaessa. Rajoitintappin käyttäminen sahattaessa saattaa liikuttaa sahanterää odottamattomalla tavalla, mikä voi aiheuttaa takapotkun ja vakavan henkilövahingon.

▲HUOMIO: Kiinnitä aina kaikki liikkuvat osat paikoilleen ennen koneen kantamista. Jos työkalun osat pääsevät liikkumaan siirtämisen aikana, seurauksena saattaa olla loukkaantuminen horjahtamisen ja tasapainon menettämisen seurauksena.

► **Kuva55**

1. Poista akkupaketti.
2. Kiinnitä terä viistekulmaan 0° ja kääntöjalusta täyteen suoraan jiirisahauskulmaan.
3. Kiinnitä liukuvarret siten, että alempi liukuvarsi lukkiutuu asentoon, jossa kelkka on vedetty ääriasentoonsa käyttäjään päin, ja ylemmät varret asentoon, jossa kelkka on työnnetty ääriasentoonsa sahausvasteelta päin.
4. Alenna kahva täysin ja lukitse se alennettuun asentoonsa työntämällä pysäytintappi sisään.
5. Kuljeta työkalua siten, että pidät työkalun alustan kumpaakin puolta kuvan osoittamalla tavalla. Työkalua on helpompi kantaa, kun irrotat pitimet, pölypussin, jne.

KUNNOSSAPITO

▲VAROITUS: Varmista aina, että terä on terävä ja puhdas, jotta työskentely sujuisi mahdollisimman hyvin ja turvallisesti. Sahaaminen tylsällä ja/ tai likaisella terällä saattaa aiheuttaa takapotkun ja vakavan henkilövahingon.

▲HUOMIO: Varmista aina ennen tarkastusta tai huoltoa, että työkalu on sammutettu ja akku irrotettu.

HUOMAUTUS: Älä koskaan käytä bensiiniä, ohenteita, alkoholia tai tms. aineita. Muutoin pinta voi halkeilla tai sen värit ja muoto voivat muuttua. Muutoin laitteeseen voi tulla värjäytyymiä, muodon vääristymiä tai halkeamia.

Sahauskulman säätäminen

Työkalu on huolellisesti asennettu ja kohdistettu tehtäällä, mutta kova käsittely on saattanut vaikuttaa kohdistukseen. Jos työkaluasi ei ole asianmukaisesti kohdistettu, tee seuraavat toimenpiteet:

Jiirikulma

1. Työnnä terää sahausvastetta kohti ja kiristä kahta puristinruuvia kuljettimen varmistamiseksi.

2. Käännä kääntöalustaa niin, että osoitin osoittaa 0° jiirisahausteikolla.

3. Käännä sitten kääntöalustaa hieman myötäpäivään ja vastapäivään sovittaaksesi kääntöalustan 0° jiriin loveen. (Jätä se paikalleen, jos osoitin ei osoita kohtaa 0°.)

4. Löysennä sahausvasteen varmistava kuusiokolouruvi kuusioavaimella.

► **Kuva56:** 1. Sahausvaste 2. Kuusiokolopultti

5. Alenna kahva täysin ja lukitse se alennettuun asentoonsa työntämällä pysäytintappi sisään.

6. Säädä sahausvastetta niin, että se tulee terän kanssa kohtisuoraan asentoon käyttäen kolmioviivainta, suorakulmaa tms. Lukitse se sitten kiristämällä sahausvasteen kuusiokolopultti aloittaaksesi oikealta puolelta.

► **Kuva57:** 1. Kolmioviivain

7. Varmista, että osoitin osoittaa kohtaa 0° jiiristeikolla. Jos osoitin ei osoita kohtaa 0°, löysennä ruuvi, joka varmistaa osoittimen ja säädä osoitin siten, että se osoittaa kohtaa 0°.

► **Kuva58:** 1. Ruuvi 2. Viistoasteikko 3. Osoitin

Kallistuskulma

0° kallistuskulma

► **Kuva59:** 1. Vipu 2. Varren pidiike 3. Viistokulman 0° -asteen säätöpultti 4. Varsi 5. Vapautuspainike

1. Työnnä terää sahausvastetta kohti ja kiristä kahta puristinruuvia kuljettimen varmistamiseksi.

2. Alenna kahva täysin ja lukitse se alennettuun asentoonsa työntämällä pysäytintappi sisään.

3. Löysennä vipua työkalun takaosassa.

4. Kierrä 0° varren oikealla puolella olevaa viistekulman säätömutteria (alempaa mutteria) kaksi tai kolme kierrosta vastapäivään kallistaaksesi terää oikealle.

5. Käännä 0° -viistokulman säätöpulttia varovasti myötäpäivään, kunnes teräpuoli tulee kohtisuoraan kulmaan kääntöalustan yläpinnan kanssa. Käytä oppaana kolmioviivainta, suorakulmaviivainta, jne. Kiristä sitten vipu varmasti.

► **Kuva60:** 1. Kolmioviivain 2. Sahanterä 3. Kääntöpöydän yläpinta

6. Varmista, että varren osoitin osoittaa kohtaa 0° vinosahausteikolla. Jos se ei osoita kohtaa 0°, löysennä ruuvi, joka varmistaa osoittimen ja säädä osoitin siten, että se osoittaa kohtaa 0°.

► **Kuva61:** 1. Viistosahausteikko 2. Osoitin 3. Ruuvi

45° kallistuskulma

► **Kuva62:** 1. Viistokulman 45° -asteen säätöpultti

Säädä 45° viistekulma vasta säädettyäsi 0° viistekulman.

1. Löysää vipu ja kallista terä kokonaan vasemmalle.

2. Varmista, että varren osoitin osoittaa kohtaa 45° viisteityssasteikolla. Jos osoitin ei osoita kohtaa 45°, kierrä 45° varren oikealla puolella olevaa kallistuskulman säätömutteria (ylempi mutteri), kunnes osoitin osoittaa 45°.

Käytön jälkeen

Käytön jälkeen pyyhi työkaluun liimautuneet lastut ja pöly pois kankaalla tai vastaavalla. Pidä teränsuojus puhtaana aikaisemmin käsitellyssä "Teränsuojus" osassa mainittujen ohjeiden mukaan. Voitele liukuosat koneöljyllä ruostumisen ehkäisemiseksi.

Kun varastoi työkalua, vedä terä täysin itseesi päin siten, että liukunapa on perusteellisesti asennettu kierroslohjaan.

Tuotteen TURVALLISUUDEN ja LUOTETTAVUUDEN takaamiseksi korjaukset, muut huoltotyöt ja säädöt on teetettävä Makitan valtuutetussa huoltopisteessä Makitan varaosia käyttäen.

LISÄVARUSTEET

VAROITUS: Nämä Makita-lisävarusteet tai -laitteet on tarkoitettu käytettäviksi tässä ohjekirjassa mainitun Makita-työkalun kanssa. Muiden lisävarusteiden tai -laitteiden käyttäminen voi aiheuttaa vakavan henkilövahingon.

VAROITUS: Käytä Makita-lisävarustetta tai -laitetta vain sen ilmoitettuun käyttötarkoitukseen. Lisävarusteen tai laitteen vääränlainen käyttö voi aiheuttaa vakavan henkilövahingon.

Jos tarvitset apua tai yksityiskohtaisempia tietoja seuraavista lisävarusteista, ota yhteys paikalliseen Makitan huoltoon.

- Kovametallihampaiset sahanterät
- Ruuvinpuristinyhdistelmä (Vaakasuora ruuvinpuristin)
- Pystysuuntainen kappalepuristin
- Tukipöytä
- Kannatin-varren yhdistelmä
- Kiinnityslevy
- Pölypussi
- Kolmioviivain
- Kuusioavain
- Aito Makitan akku ja laturi

HUOMAA: Jotkin luettelossa mainitut varusteet voivat sisältyä työkalun toimitukseen vakiovarusteina. Ne voivat vaihdella maittain.

SPECIFIKĀCIJAS

Modelis:	DL S714	
Asmens diametrs	190 mm	
Asmens korpusa biezums	1,3 mm - 2,0 mm	
Atveres (ass) diametrs (atkarībā no valsts)	20 mm vai 15,88 mm	
Maks. zāģēšanas leņķis	Kreisais 47°, labais 57°	
Maks. slīpais leņķis	Kreisais 45°, labais 5°	
Ātrums bez slodzes	5 700 min ⁻¹	
Izmēri (G × P × A)	655 mm × 430 mm × 445 mm	
Nominālais spriegums	Līdzstrāva 36 V	
Akumulatora kasetne	BL1815N, BL1820, BL1820B	BL1830, BL1830B, BL1840, BL1840B, BL1850, BL1850B, BL1860B
Tīrsvars	13,0 kg	13,5 kg



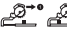

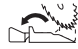
Zāģēšanas jauda (A × P) ar 190 mm diametra asmeni

Zāģēšanas leņķis	Slīpais leņķis		
	45° (pa kreisi)	0°	5° (pa labi)
0°	40 mm × 300 mm	52 mm × 300 mm	40 mm × 300 mm
	45 mm × 265 mm (1. PIEZĪME)	60 mm × 265 mm (1. PIEZĪME)	–
45° (pa kreisi un pa labi)	40 mm × 212 mm	52 mm × 212 mm	–
	45 mm × 185 mm (2. PIEZĪME)	60 mm × 185 mm (2. PIEZĪME)	–
57° (pa labi)	–	52 mm × 163 mm	–
	–	60 mm × 145 mm (3. PIEZĪME)	–

1. Maks. zāģēšanas jauda, izmantojot 20 mm biezu koka finierējumu
 2. Maks. zāģēšanas jauda, izmantojot 15 mm biezu koka finierējumu
 3. Maks. zāģēšanas jauda, izmantojot 10 mm biezu koka finierējumu
- Nepārtrauktās izpētes un izstrādes programmas dēļ šeit uzrādītās specifikācijas var tikt mainītas bez brīdinājuma.
 - Specifikācijas un akumulatora kasetne var atšķirties dažādās valstīs.
 - Svārs ar akumulatora kasetni saskaņā ar EPTA-Procedure 01/2003

Simboli

Zemāk ir attēloti simboli, kas attiecas uz iekārtu. Pirms darbarīka izmantošanas pārliecinieties, vai pareizi izprotat to nozīmi.

	Izlasiet lietošanas rokasgrāmatu.
	Lai izvairītos no atlecošiem gruziem, turpiniet turēt zāģa augšdaļu uz leju līdz asmens ir pilnībā apstājies.
	Veicot slīdes zāģēšanu, vispirms pavelciet rāmi līdz galam un nospiediet rokturi, pēc tam bīdīet rāmi virzošās barjeras virzienā.
	Neturiet roku vai pirkstus asmens tuvumā.
	Zāģējot slīpā leņķī, APAKŠBARJERU vienmēr uzstādiēt kreisās puses stāvoklī. To nedarot, iespējams izraisīt smagu operatora ievainojumu.



Tikai ES valstīm
Neizmetiet elektroiekārtas vai akumulatoru māsāimniecības atkritumos!
Saskaņā ar Eiropas direktīvu par elektrisko un elektronisko iekārtu atkritumiem, kā arī par baterijām un akumulatoriem, un bateriju un akumulatoru atkritumiem un to īstenošanu saskaņā ar valsts likumdošanu lietotais elektriskais aprīkojums, baterijas un akumulators kalpošanas laika beigās jāsavāc atsevišķi un jānogādā otrreizējai pārstrādei vidi saudzējošā veidā.

Paredzētā izmantošana

Šis darbarīks ir paredzēts precīziem taisniem un slīpiem iegriezumiem kokā. Neizmantojiet zāģi, lai zāģētu materiālus, kas nav koks, alumīnijs vai līdzīgi materiāli.

Trokšņa līmenis

Tipiskais A svērtais trokšņa līmenis noteikts saskaņā ar EN61029:

Skaņas spiediena līmeni (L_{pA}): 88 dB (A)

Skaņas jaudas līmeni (L_{WA}): 97 dB (A)

Mainīgums (K): 3 dB (A)

▲BRĪDINĀJUMS: Lietojiet ausu aizsargus.

Vibrācija

Vibrācijas kopējā vērtība (trīsas vektora summa) noteikta atbilstoši EN61029:

Vibrācijas izmēte (a_h): $2,5 \text{ m/s}^2$ vai mazāk

Mainīgums (K): $1,5 \text{ m/s}^2$

PIEZĪME: Paziņotā vibrācijas emisijas vērtība noteikta atbilstoši standarta pārbaudes metodei un to var izmantot, lai salīdzinātu vienu darbarīku ar citu.

PIEZĪME: Paziņoto vibrācijas emisijas vērtību arī var izmantot iedarbības sākotnējā novērtējumā.

▲BRĪDINĀJUMS: Reāli lietojot elektrisko darbarīku, vibrācijas emisija var atšķirties no paziņotās emisijas vērtības atkarībā no darbarīka izmantošanas veida.

▲BRĪDINĀJUMS: Lai aizsargātu lietotāju, nosakiet drošības pasākumus, kas pamatoti ar iedarbību reālos darba apstākļos (ņemot vērā visus ekspluatācijas cikla posmus, piemēram, laiku, kamēr darbarīks ir izslēgts un kad darbojas tukšgaitā, kā arī palaides laiku).

EK Atbilstības deklarācija

Tikai Eiropas valstīm

Makita paziņo, ka šāds instruments(-i):

Mašīnas nosaukums: Bezvadu slīdrāmja kombinētais lenķzāģis

Modeļa Nr./tips: DLS714

Atbilst sekojošām Eiropas Direktīvām: 2006/42/EC

Ražots saskaņā ar šādu standartu vai normatīvajiem dokumentiem: EN61029

Tehniskā lieta saskaņā ar 2006/42/EC ir pieejama:

Makita, Jan-Baptist Vinkstraat 2, 3070, Beļģija
16.1.2015

Yasushi Fukaya

Direktors

Makita, Jan-Baptist Vinkstraat 2, 3070, Beļģija

Vispārīgi elektrisko darbarīku drošības brīdinājumi

▲BRĪDINĀJUMS: Izlasiet visus drošības brīdinājumus un visus norādījumus. Brīdinājumu un norādījumu neievērošanas gadījumā var rasties elektriskās strāvas trieciens, ugunsgrēks un/vai nopietnas traumas.

Glabājiet visus brīdinājumus un norādījumus, lai varētu tajos ieskatīties turpmāk.

Termins „elektrisks darbarīks” brīdinājumos attiecas uz tādu elektrisko darbarīku, ko darbina ar elektrību (ar vadu), vai tādu, ko darbina ar akumulatoru (bez vada).

Bezvadu lenķzāģa drošības brīdinājumi

1. Turiet rokas drošā attālumā no zāģa asmens ceļa. Neskarīties pie asmens, kas kustas pēc inerces. Tas vēl joprojām var izraisīt smagu ievainojumu.
2. Pirms darba veikšanas rūpīgi pārbaudiet, vai zāģa asmenim nav plaisu vai deformāciju. Nekavējoties nomainiet bojātos asmeņus.
3. Ja iezāģējuma plate ir nolietojusies, to nomainiet.
4. Lietojiet tikai tādus zāģa asmeņus, ko ir ieteicis ražotājs un kas atbilst EN847-1.
5. Neizmantojiet asmeņus, kas ražoti no ātrgriezīga tērauda.
6. Lietojiet acu aizsargus.
7. Lai mazinātu dzirdes zuduma risku, lietojiet dzirdes aizsarglīdzekļus.
8. Darbam ar zāģa asmeni (kad iespējams, zāģa asmeni jānes turētājā) asmeņus un nelīdzenu materiālu izmantojiet cimdus.
9. Zāģējot ar lenķzāģi, pievienojiet putekļu savācēju.
10. Zāģa asmeni izvēlieties atkarībā no zāģējamā materiāla.
11. Pirms darbarīka pārnēsāšanas vienmēr nostipriniet visas kustīgās daļas. Ceļot vai nesot darbarīku, neizmantojiet aizsargu kā pārnēsāšanas rokturi.
12. Nelietojiet zāģi, ja aizsargi nav savā vietā. Pirms katras lietošanas reizes pārbaudiet, vai asmens aizsargs aizveras pareizi. Nelietojiet zāģi, ja asmens aizsargs nevirzās brīvi un nekavējoties neaizveras. Nekad nepiestipriniet un nepiesieniet asmens aizsargu atvērtā stāvoklī.
13. Savāciet darbavietā no grīdas birstošus materiālus, piemēram, skaidas un atgriezumus.
14. Izmantojiet tikai tādus zāģa asmeņus, kas ir marķēti ar maksimālo ātrumu, kas ir tāds pats vai lielāks kā uz darbarīka norādītais ātrums bez slodzes.
15. Ja darbarīkam ir lāzers vai gaismas diode, nenomainiet ar cita veida lāzeru vai gaismas diodi. Vērsieties pilnvarotā apkopes centrā, lai veiktu remontu.
16. Nekad neaizvāciet atgriezumus vai citu apstrādājamā materiāla daļu no zāģēšanas zonas, kamēr darbarīks darbojas ar neaizsargātu zāģa asmeni.
17. Nekad neveiciet nevienu darbību, turot apstrādājamo materiālu rokā. Eksploatācijas laikā apstrādājamajam materiālam jābūt ar skrūvspīlēm cieši piestiprinātam pie pagriežamās pamatnes un vadotnes ierobežotāja. Nekad neturiet apstrādājamo materiālu ar roku.
18. Pirms katras zāģēšanas reizes pārbaudiet, vai darbarīks ir stabils.

19. Ja nepieciešams, piestipriniet darbarīku pie darbgalda.
20. Atbalstiet garu apstrādājamo materiālu ar atbalstošiem papildu atbalstiem.
21. Nekad nezāgējiet tik mazu apstrādājamo materiālu, ka to nevar cieši nostiprināt skrūvspīlēs. Nepareizi nostiprināts apstrādājamais materiāls var izraisīt atsitieni un nopietnus ievainojumus.
22. Nekad nesniedzieties pāri zāģa asmenim.
23. Pirms pārvietot apstrādājamo materiālu vai mainīt iestatījumus izslēdziet darbarīku un pagaidiet, kamēr asmens apstājas.
24. Pirms asmens maiņas vai apkopes veikšanas atvienojiet barošanas kabeli no elektrofīkla un/ vai akumulatoru no elektriskā darbarīka.
25. Sprūdtapa, kas griežēģalvu fiksē uz leju, ir paredzēta tikai pārnēsāšanai un uzglabāšanai, nevis griešanai.
26. Nelietojiet darbarīku ugunsnedrošu šķidrumu un gāzu tuvumā. Darbarīka elektropievads var izraisīt eksploziju un ugunsgrēku, ja tas saskaras ar viegli uzliesmojošiem šķidrumiem vai gāzēm.
27. Izmantojiet tikai šim darbarīkam paredzētus atlokus.
28. Uzmanieties, lai nesabojātu asi, atlokus (it īpaši) uzstādīšanas virsmu) vai skrūvi. Šo daļu bojājums var izraisīt asmens salūšanu.
29. Pārliecinieties, vai pagriežamais pamats ir pareizi nostiprināts un darba laikā nekustēsies.
30. Personīgai drošībai pirms sākt darbu no galdā virsmas noņemiet šķembas, sīkus pārpalikumus u. c.
31. Negrieziet naglas. Pirms sākt darbu pārbauziet, vai apstrādājamā materiālā nav naglas, un tās izņemiet.
32. Pirms slēdža ieslēgšanas pārliecinieties, vai levstas bloķētājs ir atlaists.
33. Pārliecinieties, vai zemākajā stāvoklī asmens nesaskaras ar pagriežamo pamatu.
34. Rokturi turiet cieši. Ievērojiet, ka zāģis, uzsākot darbu un apstājoties, nedaudz pavirzās uz augšu vai uz leju.
35. Pirms slēdža ieslēgšanas pārliecinieties, vai asmens nepieskaras apstrādājamam materiālam.
36. Pirms lietot darbarīku materiāla apstrādei, nedaudz padarbiniet to bez slodzes. Pievērsiet uzmanību vibrācijai vai svārstībām, jo tas var liecināt par nepareizu uzstādīšanu vai slikti līdzsvarotu asmeni.
37. Pirms griešanas pagaidiet, kamēr asmens uzņem pilnu ātrumu.
38. Nekavējoties pārtrauciet darbu, ja ievērojat novirzes.
39. Nenobloķējiet mēlīti ieslēgtā stāvoklī (on).
40. Vienmēr esiet uzmanīgi, it īpaši vienmuļa, monotona darba laikā. Nepaļaujieties uz maldīgu drošības sajūtu. Asmens var nodarīt smagu kaitējumu.
41. Vienmēr izmantojiet piederumus, kas norādīti šajā rokasgrāmatā. Nepiemērotu piederumu, piemēram, abrazīvo ripu, izmantošana var izraisīt ievainojumu.
42. Esiet uzmanīgi, zāģējot rievās.
43. Darba gaitā dažu veidu radušos putekļu sastāvā ir ķīmiskās vielas, kas var izraisīt vēzi, iedzimtas slimības vai cita veida reproduktīvu kaitējumu. Šādas ķīmiskās vielas var būt:
 - svins no materiāla, kas izgatavots no krāsota svina un
 - arsēns un hroms no ķīmiski apstrādātiem zāģmateriāliem.

Risks jūsu veselībai palielinās atkarībā no tā, cik bieži jūs veicat šāda veida darbu. Lai samazinātu šo ķīmisko vielu iedarbību: strādājiet labi vēdinātā darba vietā un ar apstiprinātiem drošības piederumiem, piemēram, putekļu maskām, kas ir speciāli paredzētas, lai izfiltrētu mikroskopiskas daļiņas.

44. Lai mazinātu radušos troksni, vienmēr pārliecinieties, vai asmens ir ass un tīrs.
45. Operatoram jābūt atbilstoši apmācītam lietot, regulēt un strādāt ar darbarīku.

SAGLABĀJIET ŠOS NORĀDĪJUMUS.

▲BRĪDINĀJUMS: NEPIELĀUJIET to, ka labu iemaņu vai izstrādājuma labas pārzināšanas (darbarīku atkārtoti ekspluatējot) rezultātā vairs stingri ievērojāt šī izstrādājuma drošības noteikumus. **NEPAREIZI LIETOJOT** darbarīku vai neievērojot šajā instrukciju rokasgrāmatā minētos drošības noteikumus, var tikt gūtas smagas traumas.

Svarīgi drošības norādījumi par akumulatora kasetni

1. Pirms akumulatora lietošanas izlasiet visus norādījumus un brīdinājumus, kuri attiecas uz (1) akumulatora lādētāju, (2) akumulatoru un (3) ierīci, kurā tiek izmantots akumulators.
2. Neizjauciet akumulatoru.
3. Ja akumulatora darbības laiks kļūva ievērojami īsāks, nekavējoties pārtrauciet to izmantot. Citādi, tas var izraisīt pārkarsējumu, uzliesmojumu vai pat sprādzienu.
4. Ja elektrolīts nonāk acīs, izskalojiet tās ar tīru ūdens un nekavējoties griezieties pie ārsta. Tas var izraisīt redzes zudēšanu.
5. Neradiet īssavienojumu akumulatora kasetnē:
 - (1) Nepieskarieties spaiļēm ar elektrību vadošiem materiāliem.
 - (2) Neuzglabājiet akumulatoru kasetni kopā ar citiem metāla priekšmetiem, tādiem kā naglas, monētas u. c.
 - (3) Nepakļaujiet akumulatora kasetni ūdens vai lietus iedarbībai.
 Akumulatora īssavienojums var radīt spēcīgu strāvas plūsmu, pārkaršanu, uzliesmojumu un pat sabojāt akumulatoru.
6. Neglabājiet darbarīku un akumulatora kasetni vietās, kur temperatūra var sasniegt vai pārsniegt 50 °C (122 °F).
7. Nededziniet akumulatora kasetni, pat ja tā ir stipri bojāta vai pilnībā nolietota. Akumulatora kasetne ugunī var eksplodēt.

8. **Uzmanieties, lai neļautu akumulatoram nokrist un nepaļautu to sītienam.**
9. **Neizmantojiet bojātu akumulatoru.**
10. **Uz izmantotajiem litija jonu akumulatoriem attiecas likumdošanas prasības par bīstamiem izstrādājumiem.**
Komerציālā transportēšanā, ko veic, piemēram, trešās puses, transporta uzņēmumi, jāievēro uz iesaiņojuma un marķējuma norādītās īpašās prasības.
Lai izstrādājumu sagatavotu nosūtīšanai, jāsažinās ar bīstamo materiālu speciālistu. Ievērojiet arī citus attiecināmos valsts normatīvus.
Valējus kontaktus nosedziet ar līmlenti vai citādi pārklājiet, bet akumulatoru iesaiņojiet tā, lai sānīt tas nevarētu izkustēties.
11. **Ievērojiet vietējos noteikumus par akumulatora likvidēšanu.**

SAGLABĀJIET ŠOS NORĀDĪJUMUS.

▲UZMANĪBU: Lietojiet tikai oriģinālos Makita akumulatorus. Ja lietojat neoriģinālus Makita akumulatorus vai pārveidotus akumulatorus, tie var uzsprāgt un izraisīt aizdegšanos, traumas un materiālos zaudējumus. Tikš anulēta arī Makita darbarīka un lādētāja garantija.

Ieteikumi akumulatora kalpošanas laika pagarināšanai

1. **Uzlādējiet akumulatora kasetni, pirms tā ir pilnībā izlādējusies. Vienmēr, kad ievērojāt, ka darbarīka darba jauda zudusi, apturiet darbarīku un uzlādējiet akumulatora kasetni.**
2. **Nekad neuzlādējiet pilnībā uzlādētu akumulatora kasetni. Pārmērīga uzlāde saīsina akumulatora kalpošanas laiku.**
3. **Uzlādējiet akumulatora kasetni istabas temperatūrā 10 °C - 40 °C. Karstai akumulatora kasetnei pirms uzlādes ļaujiet atdzist.**
4. **Uzlādējiet litija jonu akumulatora kasetni, ja to ilgstoši nelietosit (vairāk nekā sešus mēnešus).**

DETAĻU APRAKSTS

► Att.1

1	Atbloķēšanas poga	2	Slēdža mēlīte	3	Asmens korpusš	4	Regulēšanas skrūve (zemākai robežatīmei)
5	Regulēšanas bultskrūve (maksimālai zāģēšanas jaudai)	6	Aiztura kļokš	7	Putekļu maiss	8	Slīpā leņķa skala
9	Asmens aizsargs	10	Vertikālās skrūvšpšies	11	Vadotnes ierobežotājs	12	Turētājs
13	Aiztura svira (pagriežamai pamatnei)	14	Rokturis (pagriežamai pamatnei)	15	Regulēšanas bultskrūve (pagriežamai pamatnei)	16	Iezāģēšanas plātne
17	Rādītājs (zāģēšanas leņķim)	18	Pagriežamā pamatne	-	-	-	-

► Att.2

19	Slīdbalsts (augšējais)	20	Spārnskrūve (augšējā slīdbalsta bloķēšanai)	21	Seššķautņu uzgriežņu atslēga	22	Spīlējuma skrūve (fiksācijas turētājam)
23	Svira (slīpā leņķa regulēšanai)	24	Slīdbalsts (apakšējais)	25	Spārnskrūve (apakšējā slīdbalsta bloķēšanai)	-	-

UZSTĀDĪŠANA

Galda uzstādīšana

▲BRĪDINĀJUMS: Nodrošiniet, lai darbarīks uz atbalsta virsmas neizkustas. Leņķzāģa izkustēšanās uz atbalsta virsmas zāģēšanas laikā var izraisīt kontroles zudumu un nopietnus ievainojumus.

1. Ar divām skrūvēm pieskrūvējiet pamatni uz līmeniskas un stabilas virsmas. Tādējādi pamatne neapgāzīsies un netiks radītas traumas.

► **Att.3:** 1. Bultskrūve

2. Pagrieziet regulēšanas skrūvi pulksteņrādītāja virzienā vai pretēji tam tā, lai skrūve saskartos ar grīdas virsmu un saglabātu darbarīka stabilitāti.

► **Att.4:** 1. Bultskrūves regulēšana

FUNKCIJU APRAKSTS

▲BRĪDINĀJUMS: Vienmēr pirms darbarīka regulēšanas vai funkciju pārbaudes pārbaudiet, vai instruments ir izslēgts un akumulatora kasetne ir izņemta. Ja darbarīku neizslēdz un neizņem akumulatora kasetni, tam nejausi ieslēdzoties, var tikt izraisītas smagas traumas.

Akumulatora kasetnes uzstādīšana un izņemšana

⚠ UZMANĪBU: Vienmēr pirms akumulatora kasetnes uzstādīšanas vai noņemšanas izslēdziet darbarīku.

⚠ UZMANĪBU: Uzstādot vai izņemot akumulatora kasetni, darbarīku un akumulatora kasetni turiet cieši. Ja darbarīku un akumulatora kasetni netur cieši, tie var izkrist no rokām un radīt bojājumus darbarīkam un akumulatora kasetnei, kā arī izraisīt ievainojumus.

- **Att.5:** 1. Sarkanās krāsas indikators 2. Poga 3. Akumulatora kasetne

Lai izņemtu akumulatora kasetni, izvelciet to no darbarīka, pārīdnot kasetnes priekšpusē esošo pogu.

Lai uzstādītu akumulatora kasetni, salāgojiet mēlīti uz akumulatora kasetnes ar rievu ietvarā un iebīdīet to vietā. Ievietojiet to līdz galam, līdz tā ar klikšķi nofiksējas. Ja pogas augšējā daļā redzams sarkanās krāsas indikators, tas nozīmē, ka tā nav pilnīgi fiksēta.

⚠ UZMANĪBU: Vienmēr ievietojiet akumulatora kasetni tā, lai sarkanais indikators nebūtu redzams. Pretējā gadījumā tā var nejauši izkrist no darbarīka un izraisīt jums vai apkārtējiem traumas.

⚠ UZMANĪBU: Neievietojiet akumulatora kasetni ar spēku. Ja kasetne neslīd ietvarā viegli, tā nav pareizi ielikta.

PIEZĪME: Darbarīks nedarbojas ar tikai vienu akumulatora kasetni.

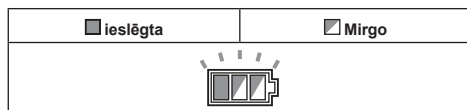
Darbarīka/akumulatora aizsardzības sistēma

Darbarīkam ir darbarīka/akumulatora aizsardzības sistēma. Šī sistēma automātiski izslēdz strāvas padevi motoram, lai pagarinātu darbarīka un akumulatora darbmūžu. Lietošanas laikā darbarīks automātiski pārstās darboties, ja darbarīku vai akumulatoru pakļaus kādam no šādiem apstākļiem.

Aizsardzība pret pārslodzi

Ja darbarīku ekspluatācijas laikā lieto tādā veidā, ka tas saista pārmērīgu strāvu, darbarīks automātiski pārstāj darboties bez jebkādam norādēm. Šādā gadījumā izslēdziet darbarīku un pārtrauciet darbību, kas izraisa darbarīka pārslodzi. Tad ieslēdziet darbarīku, lai atsāktu darbu.

Aizsardzība pret pārkaršanu



Kad darbarīks ir pārkaršis, tas automātiski pārstāj darboties, un apmēram 60 sekundes mirgo akumulatora indikators. Šādā gadījumā ļaujiet darbarīkam atdzist, pirms atkārtotas darbarīka ieslēgšanas.

Aizsardzība pret akumulatora pārmērīgu izlādi

Kad akumulatora jauda ir zema, darbarīks automātiski pārstāj darboties. Ja darbarīks nedarbojas, pat ieslēdzot slēdzus, no darbarīka izņemiet akumulatoru un veiciet akumulatoram uzlādi.

Atlikušās akumulatora jaudas indikators

- **Att.6:** 1. Akumulatora indikators 2. Pārbaudes poga
Nospiediet pārbaudes pogu, lai pārbaudītu akumulatora atlikušo jaudu. Akumulatora indikatori atbilst katram akumulatoram.

Akumulatora indikatora stāvoklis			Atlikušā akumulatora jauda
Ieslēgts	Izslēgts	Mirgo	
			No 50% līdz 100%
			No 20% līdz 50%
			No 0% līdz 20%
			Akumulatora uzlāde

Atlikušās akumulatora jaudas indikators

Tikai akumulatora kasetnēm ar indikatoru



- **Att.7:** 1. Indikatora lampas 2. Pārbaudes poga
Nospiediet akumulatora kasetnes pārbaudes pogu, lai pārbaudītu akumulatora atlikušo uzlādes līmeni. Indikatoru iedegsies uz dažām sekundēm.

Indikatora lampas			Atlikušā jauda
Iedegies	Izslēgts	Mirgo	
			No 75% līdz 100%
			No 50% līdz 75%
			No 25% līdz 50%
			No 0% līdz 25%
			Uzlādējiet akumulatoru.
			Iespējama akumulatora kļūme.

PIEZĪME: Reālā jauda var nedaudz atšķirties no norādītās atkarībā no lietošanas apstākļiem un apkārtējās temperatūras.

Automātiskā ātruma maiņas funkcija

► **Att.8:** 1. Režīma indikators

Režīma indikatora stāvoklis	Darbības režīms
	Liela darbības ātruma režīms
	Liela griezes momenta režīms

Šim darbarīkam ir „liela ātruma režīms” un „liela griezes momenta režīms”. Tas automātiski maina ekspluatācijas režīmu atkarībā no darba slodzes. Kad ekspluatācijas laikā izgaismojas režīma indikators, darbarīkam ir ieslēgts liela griezes momenta režīms.

Aiztura tapa

⚠UZMANĪBU: Atlaižot aiztura tapu, vienmēr turiet rokturi. Pretējā gadījumā rokturis atlec un var tikt izraisīta trauma.

Lai atlaistu aiztura tapu, viegli spiediet rokturi uz leju un pavelciet aiztura tapu.

► **Att.9:** 1. Aiztura tapa

Asmens aizsargs

⚠BRĪDINĀJUMS: Nekad neizjauciet un nenovietojiet asmens aizsargu vai atspēri, kas piestiprināta aizsargam. Nenosegts asmens pēc aizsarga noņemšanas var izraisīt nopietnus ievainojumus ekspluatācijas laikā.

⚠BRĪDINĀJUMS: Nekad neizmantojiet darbarīku, ja asmens aizsargs vai atspere ir bojāta, darbojas nepareizi vai ir noņemta. Izmantojot darbarīku ar bojātu, nepareizi darbojošos vai noņemtu atspēri, var izraisīt nopietnus ievainojumus.

⚠UZMANĪBU: Ja konstatējat, ka asmens aizsargs nav pilnīgā kārtībā, nekavējoties pārtrauciet lietošanu. Ja konstatējat, ka asmens aizsargs darbojas nepareizi, nekavējoties pārtrauciet asmens lietošanu. Pārbaudiet, vai aizsarga atspēres nospieguma darbība ir pareiza.

Darbarīkiem ar asmens aizsarga atlaišanas sviru

► **Att.10:** 1. Asmens aizsargs A 2. Asmens aizsargs B

Nolaižot zemāk rokturi, asmens aizsargs A pacelsies automātiski. Asmens aizsargs B paceļas, saskaroties ar apstrādājamo materiālu. Aizsargi ir nospiegti ar atspēri tā, ka tie atgriežas sākotnējā stāvoklī, kad zāģēšana ir pabeigta un rokturis ir pacelts.

Darbarīkiem bez asmens aizsarga atlaišanas sviras

► **Att.11:** 1. Asmens aizsargs

Nolaižot rokturi, asmens aizsargs automātiski pacelsies. Aizsargs ir nospiegots ar atspēri tā, ka tas atgriežas sākotnējā stāvoklī, kad zāģēšana ir pabeigta un rokturis ir pacelts.

Tīrīšana

► **Att.12:** 1. Asmens aizsargs

Ja caurspīdīgais asmens aizsargs kļūst netīrs vai tam ir pielipušas tik daudz zāģu skaidas, ka asmens un/vai apstrādājama materiāls ir grūti saskatāms, izņemiet akumulatora kasetni un ar mitru drānu rūpīgi notīriet aizsargu. Uz plastmasas aizsarga neizmantojiet šķīdinātājus vai kādus tīrītājus uz naftas produktu bāzes, jo tas var radīt aizsarga bojājumus.

Lai veiktu tīrīšanu, paceliet asmens aizsargu, skatot arī nodalās „Zāģa asmens uzstādīšana un noņemšana” informāciju.

Pēc tīrīšanas noteikti uzstādiat atpakaļ asmeni, centrālo apvalku un pievelciet seššķautņu bultskrūvi.

1. Pārliecinieties, ka darbarīks ir izslēgts un akumulatora kasetne — izņemta.
2. Grieziet seššķautņu bultskrūvi pretēji pulksteņrādītāju kustības virzienam, izmantojot komplektā iekļauto seššķautņu uzgriežņu atslēgu, vienlaikus turot centrālo apvalku.
3. Paceliet asmens aizsargu un centrālo apvalku.
4. Kad tīrīšana pabeigta, novietojiet atpakaļ centrālo pārsegu un pievelciet seššķautņu bultskrūvi, veicot iepriekš minētās darbības pretējā secībā.

⚠BRĪDINĀJUMS: Nenoņemiet atspēri, ar ko piestiprināts asmens aizsargs. Ja aizsargs laika gaitā vai ultravioletā starojuma ietekmē tiek sabojāts, iegādājieties Makita apkopes centrā jaunu aizsargu. **NEIZJAUCIET UN NENOŅEMIET AIZSARGU.**

Iezāģēšanas plātnes novietošana

Šī darbarīka pagriežamajā pamatnē atrodas iezāģēšanas plātnes, lai zāģējuma beigās nesabojātu materiālu. Iezāģēšanas plātnes ir noregulētas rūpnīcā tā, lai zāģa asmens nesaskartos ar tām. Pirms ekspluatācijas noregulējiet iezāģēšanas plātnes šādi:

1. Noteikti izņemiet akumulatora kasetni. Tad, atlaižot visas skrūves (kopā 2 — labajā un kreisajā pusē), ar ko piestiprinātas iezāģēšanas plātnes.
- **Att.13:** 1. Iezāģēšanas plātne 2. Skrūve
2. Pieskrūvējiet tās atpakaļ tā, lai iezāģēšanas plātnes varētu viegli pārvietot ar roku.
3. Nolaidiet rokturi uz leju līdz galam, iespiediet aiztura tapu, lai to nobloķētu zemākajā stāvoklī.
4. Atskrūvējiet divas spīļējuma skrūves, ar ko piestiprināti slīdbalsti.
- **Att.14:** 1. Spāmskrūve
5. Pavelciet atbalstu virzienā pret sevi līdz galam.
6. Noregulējiet iezāģēšanas plātnes tā, lai tās saskartos tikai ar asmens zobu malām.
- **Att.15**
- **Att.16:** 1. Zāģa asmens 2. Asmens zobs 3. Iezāģēšanas plātne 4. Kreisās puses slīpā zāģēšana 5. Taisna griešana
7. Pieskrūvējiet priekšējās skrūves (neskrūvējiet tās cieši).
8. Bīdi atbalstu vadotnes ierobežotāja virzienā līdz galam un noregulējiet iezāģēšanas plātnes tā, lai tās saskartos tikai ar asmens zobu malām.

9. Pieskrūvējiet aizmugures skrūves (neskrūvējiet tās cieši).

10. Pēc iezāģēšanas plātņu noregulēšanas atļaidiet aiztura tapu un paceliet rokturi. Tad cieši pieskrūvējiet visas skrūves.

IEVĒRĪBAI: Pēc slīpuma leņķa iestatīšanas, pārbaudiet, vai iezāģēšanas plātnes ir pareizi noregulētas. Iezāģēšanas plātņu pareiza noregulēšana palīdz nodrošināt pareizu apstrādājamā materiāla atbalstu, samazinot apstrādājamā materiāla norāvumu.

Maksimālās zāģēšanas jaudas saglabāšana

Šis darbarīks ir rūpnīcā noregulēts tā, lai nodrošinātu maksimālo zāģēšanas jaudu 190 mm zāģa asmenim. Uzstādot jaunu asmeni, vienmēr pārbaudiet tā zemāko robežatzīmes stāvokli un, ja vajadzīgs, regulējiet to, kā tālāk norādīts:

1. Izņemiet akumulatora kasetni. Tad bīdīet balstu vadotnes ierobežotāja virzienā līdz galam un pilnībā nolaidiet rokturi.

► **Att.17:** 1. Bultskrūves regulēšana 2. Vadotnes ierobežotājs

2. Izmantojiet seššķautņu uzgriežņu atslēgu, lai grieztu regulēšanas bultskrūvi, līdz zāģa asmens ieslīd nedaudz zem vadotnes ierobežotāja šķērsdaļas un pagriežamās pamatnes augšpusē.

► **Att.18**

3. Ar roku pagrieziet asmeni līdz galam leju, turot rokturi, lai pārliecinātos par to, vai asmens nesaskaras ar apakšējo pamatni. Ja nepieciešams, nedaudz pārregulējiet.

BRĪDINĀJUMS: Pēc jauna asmens uzstādīšanas, kad akumulatora kasetne ir izņemta, vienmēr pārbaudiet, vai asmens nesaskaras ne ar vienu apakšējās pamatnes daļu, kad rokturis ir pilnībā nolaists. Ja asmens saskaras ar pamatni, tas var izraisīt atsitieni un nopietnus ievainojumus.

► **Att.19**

Aiztura kloķis

Asmens apakšējās robežas stāvokli iespējams viegli regulēt ar aiztura kloķi. Lai to regulētu, pārvietojiet aiztura kloķi bultiņas virzienā, kā attēlots zīmējumā. Grieziet regulēšanas skrūvi un spiediet rokturi līdz galam uz leju, lai pārbaudītu rezultātu.

► **Att.20:** 1. Regulēšanas skrūve 2. Aiztura kloķis

Apakšējais ierobežotājs

Atkarībā no valsts

UZMANĪBU: Zāģējot slīpā leņķī uz kreiso pusi, izgrieziet apakšbarjeru uz ārpusi. Pretējā gadījumā tā saskarsies ar asmeni vai darbarīku, kā rezultātā operators var gūt smagas traumas.

► **Att.21:** 1. Apakšējais ierobežotājs

Šis darbarīks ir aprīkots ar apakšbarjeru. Parasti novietojiet apakšbarjeru iekšpusē. Taču, zāģējot slīpā leņķī uz kreiso pusi, izgrieziet to uz ārpusi.

Leņķa regulēšana

► **Att.22:** 1. Pagriežamā pamatne 2. Rādītājs 3. Leņķa skala 4. Bloķēšanas svira 5. Rokturis

1. Atļaidiet rokturi, griežot to pretēji pulksteņrādītāju kustības virzienam.

2. Turiet nospiestu aiztura sviru un regulējiet pagriežamās pamatnes leņķi. Par norādi lietojiet rādītāju un leņķa skalu.

3. Cieši pievelciet rokturi, griežot to pulksteņrādītāju kustības virzienā.

UZMANĪBU: Kad zāģēšanas leņķis ir nomainīts, vienmēr nostipriniet pagriežamo pamatni, cieši pievelkot rokturi.

IEVĒRĪBAI: Griežot pagriežamo pamatni, obligāti paceliet rokturi līdz galam.

Slīpā leņķa noregulēšana

Lai noregulētu slīpo leņķi, pretēji pulksteņrādītāju kustības virzienam atļaidiet sviru, kas atrodas darbarīka aizmugurē.

► **Att.23:** 1. Svira 2. Atlaišanas poga

Lai sasvērtu asmeni pa kreisi, turiet rokturi un sasveriet atbalstu. Par norādi lietojiet slīpā leņķa skalu un rādītāju. Tad pulksteņrādītāja virzienā cieši nostipriniet sviru, lai nofiksētu kloķi.

► **Att.24:** 1. Rādītājs 2. Slīpā leņķa skala 3. Kloķis

Lai sasvērtu asmeni pa labi, turiet rokturi un sasveriet atbalstu nedaudz pa kreisi, un nospiediet atlaišanas pogu. Turot nospiestu atlaišanas pogu, sasveriet zāģa asmeni pa labi. Tad pievelciet sviru.

UZMANĪBU: Kad zāģēšanas leņķis ir nomainīts, vienmēr nostipriniet kloķi, pievelkot sviru pulksteņrādītāja virzienā.

IEVĒRĪBAI: Noliecot zāģa asmeni, nodrošiniet, lai rokturis ir pilnībā pacelts.

IEVĒRĪBAI: Mainot zāģēšanas leņķus, pārbaudiet, vai iezāģēšanas plātnes ir novietotas pareizi, kā paskaidrots sadaļā „Iezāģēšanas plātņu novietošana”.

Sviras stāvokļa regulēšana

Ja laika gaitā svira vairs neno drošina pilnīgu pievilkumu, mainiet sviras stāvokli. Sviras stāvokli var mainīt par 30°.

Atļaidiet un izņemiet skrūvi, kas nostiprina sviru.

Noņemiet sviru un uzstādiet to tā, lai svira tiktu vērsta nedaudz virs horizontālās virsmas. Tad cieši pievelciet sviru ar skrūvi.

► **Att.25:** 1. Svira 2. Skrūve

Slēdža darbība

▲BRĪDINĀJUMS: Pirms akumulatora kasetnes ievietošanas darbarīkā, vienmēr pārbaudiet, vai slēdža mēlīte darbojas pareizi un pēc atlaišanas atgriežas „OFF” (izslēgts) stāvoklī. Lietojot darbarīku, kura slēdzis nedarbojas pareizi, var zaudēt kontroli un radīt nopietnas traumas.

▲BRĪDINĀJUMS: Neizmantojiet slēdzeni, kuras kājiņas vai troses diametrs ir mazāks par 6,35 mm. Mazāka kājiņa vai troses var nepareizi bloķēt darbarīku izslēgtā stāvoklī, un neparedzēta darbība var izraisīt nopietnus ievainojumus.

▲BRĪDINĀJUMS: NEKAD neizmantojiet darbarīku, kam mēlīte pilnībā nedarbojas. Darbarīks ar bojātu mēlītes funkciju ir LOTI BĪSTAMS un pirms turpmākas izmantošanas ir jāsalabo, pretējā gadījumā var izraisīt nopietnus ievainojumus.

▲BRĪDINĀJUMS: Jūsu drošības nolūkos šis darbarīks ir aprīkots ar atbloķēšanas pogu, kas nepieļauj darbarīka iedarbināšanu bez uzraudzības. **NEKAD neekspluatējiet darbarīku, ja tas darbojas, kad vienkārši pavelciet slēdža mēlīti, nespiežot atbloķēšanas pogu.** Slēdzis, ko nepieciešams labot, var izraisīt neparedzētu darbību un radīt nopietnus ievainojumus. PIRMS turpmākas ekspluatācijas nododiet darbarīku Makita apkopes centrā, lai to atbilstīgi saremontētu.

▲BRĪDINĀJUMS: NEKAD neizjauciet atbloķēšanas pogu, to neaplimējiet un citādāk nepārveidojiet. Slēdzis ar izjauktu atbloķēšanas pogu var izraisīt neparedzētu darbību un radīt smagas traumas.

IEVĒRĪBAI: Nevelciet slēdža mēlīti ar spēku, neiespiežot atbloķēšanas pogu uz iekšu. Rezultātā var tikt sabojāts slēdzis.

Darbarīkiem ar asmens aizsarga atlaišanas sviru

Lai nepieļautu slēdža mēlītes nejaušu pavilkšanu, darbarīks ir aprīkots ar atbloķēšanas pogu. Lai ieslēgtu darbarīku, pārbrīdiat asmens aizsarga atlaišanas sviru uz augšu, nospiediet atbloķēšanas pogu uz iekšu un pēc tam pavelciet slēdža mēlīti. Lai darbarīku apturētu, atlaidiet slēdža mēlīti.

Atbloķēšanas pogu var nospiegt gan no labās, gan kreisās puses.

Slēdža mēlītē ir atvērums, kas paredzēts darbarīka nobloķēšanai, ievietojot piekaramo slēdzeni.

- **Att.26:**
1. Asmens aizsarga atlaišanas svira
 2. Slēdža mēlīte
 3. Atbloķēšanas pogu
 4. Piekaramās slēdzenes atvere

Darbarīkiem bez asmens aizsarga atlaišanas sviras

Lai nepieļautu slēdža mēlītes nejaušu pavilkšanu, darbarīks ir aprīkots ar atbloķēšanas pogu. Lai ieslēgtu darbarīku, iespiediet atbloķēšanas pogu uz iekšu un pavelciet slēdža mēlīti. Lai darbarīku apturētu, atlaidiet slēdža mēlīti.

Atbloķēšanas pogu var nospiegt gan no labās, gan kreisās puses.

Slēdža mēlītē ir atvērums, kas paredzēts darbarīka nobloķēšanai, ievietojot piekaramo slēdzeni.

- **Att.27:**
1. Atbloķēšanas pogu
 2. Slēdža mēlīte
 3. Piekaramās slēdzenes atvere

MONTĀŽA

▲BRĪDINĀJUMS: Vienmēr pirms darbarīka labošanas pārbaudiet, vai instruments ir izslēgts un akumulatora kasetne ir izņemta. Ja darbarīku neizslēdz un akumulatora kasetni neizņem, var tikt izraisītas smagas traumas.

Sešstūra atslēgas uzglabāšana

Seššķautņu uzgriežņu atslēgu glabā tā, kā parādīts zīmējumā. Kad gala seššķautņu uzgriežņatslēga ir nepieciešama, to var izvilkēt no uzgriežņatslēgas turētāja.

Pēc seššķautņu uzgriežņatslēgas izmantošanas to var nolikt atpakaļ glabāšanā uzgriežņatslēgas turētājā.

- **Att.28:**
1. Uzgriežņu atslēgas turētājs
 2. Seššķautņu uzgriežņu atslēga

Zāģa asmens uzstādīšana un noņemšana

▲BRĪDINĀJUMS: Vienmēr pirms asmens uzstādīšanas vai noņemšanas pārbaudiet, vai instruments ir izslēgts un akumulatora kasetne ir izņemta. Darbarīka nejauša iedarbināšana var izraisīt nopietnus ievainojumus.

▲UZMANĪBU: Asmeni uzstādiat vai noņemat tikai ar komplektācijā esošo Makita seššķautņu uzgriežņu atslēgu. Ja tā nerīkosities, seššķautņu padziļinājuma bultskrūve būs pieskrūvēta pārāk cieši vai pārāk vaļīgi. Tādējādi var rasties trauma.

Lai noņemtu asmeni, veiciet tālāk minētās darbības:

1. Nospiežot aiztura tapu, nobloķējiet rokturi paceltā stāvoklī.

► **Att.29:** 1. Aiztura tapu

2. Ar seššķautņu uzgriežņu atslēgu atlaidiet seššķautņu bultskrūvi, ar ko piestiprināts centrālais apvalks, griežot to pretēji pulksteņrādītāja kustības virzienam. Tad paceliet asmens aizsargu un centrālo apvalku.

► **Att.30:**

1. Centrālais apvalks
2. Seššķautņu bultskrūve
3. Seššķautņu uzgriežņu atslēga
4. Asmens aizsargs

3. Nospiediet vārpstas bloķētāju, lai nobloķētu vārpstu, un ar seššķautņu uzgriežņu atslēgu pulksteņrādītāja virzienā atskrūvējiet seššķautņu padziļinājuma bultskrūvi. Pēc tam izņemiet vārpstas seššķautņu bultskrūvi, ārējo atloku un asmeni.

► **Att.31:**

1. Vārpstas bloķētājs
2. Seššķautņu bultskrūve
3. Ārējais atloks

4. Noņemot iekšējo atloku, noteikti uzstādiat to atpakaļ uz vārpstas ar asmens stiprinājumu pret asmeni. Ja atloks ir uzstādīts nepareizi, atloks berzēsies pret instrumentu.

► **Att.32:**

1. Ārējais atloks
2. Zāģa asmens
3. Iekšējais atloks
4. Seššķautņu bultskrūve (ar kreiso vītņi)
5. Vārpsta
6. Asmens stiprinājuma daļa

Lai uzstādītu asmeni, veiciet tālāk minētās darbības:

1. Uzmaniģi uzstādiat asmeni uz iekšējā atloka. Uzstādot asmeni, pārliecinieties, ka bultiņas virziens uz asmens atbilst bultiņas virzienam uz asmens korpusa.
▶ **Att.33:** 1. Zāģa asmens 2. Bultiņa
2. Uzstādiat ārējo atloku un seššķautņu bultskrūvi, un tad ar seššķautņu uzgriežņu atslēgu pretēji pulksteņrādītāju kustības virzienam cieši pieskrūvējiet vārpstas seššķautņu bultskrūvi (ar kreiso vītni), turot nospiestu vārpstas bloķētāju.
3. Novietojiet asmens aizsargu un centrālo apvalku to sākotnējā stāvoklī. Tad, lai nostiprinātu centrālo apvalku, pulksteņrādītāju kustības virzienā pievelciat centrālā apvalka seššķautņu bultskrūvi.
4. Paveļkot aizmura tapu, atbrīvojiet rokturi no paceltā stāvokļa. Nolaidiet rokturi, lai pārliecinātos, vai asmens aizsargs virzās pareizi.
5. Pirms zāģēšanas pārbaudiet vai vārpstas bloķētājs ir vārpstu atbloķējis.

Darbarīkam ar iekšējo atloku, kas paredzēts zāģa asmenim ar atvērumu 15,88 mm diametrā

Atkarībā no valsts

Uz stiprinājuma ass uzstādiat iekšējo atloku ar tā padziļināto pusi uz āru, tad uzlieciat zāģa asmeni (ja nepieciešams, ar piestiprinātu gredzenu), ārējo atloku un sešstūru galvas skrūvi.

Darbarīkam bez gredzena

- ▶ **Att.34:** 1. Ārējais atloks 2. Zāģa asmens
3. Iekšējais atloks 4. Seššķautņu bultskrūve (ar kreiso vītni) 5. Vārpsta

Darbarīkam ar gredzenu

- ▶ **Att.35:** 1. Ārējais atloks 2. Zāģa asmens
3. Iekšējais atloks 4. Seššķautņu bultskrūve (ar kreiso vītni) 5. Gredzens 6. Vārpsta

▲BRĪDINĀJUMS: Ja asmens uzstādīšanai uz vārpstas nepieciešams gredzens, vienmēr pārbaudiet, vai starp iekšējo un ārējo atloku ir uzstādīts pareizais gredzens izmantojamā asmens vārpstas atverei. Nepareiza vārpstas atveres gredzena izmantošanas dēļ asmens var nebūt piestiprināts pareizi un tas var kustēties, radot spēcīgu vibrāciju, kas, savukārt, var izraisīt vadības zudumu darbības laikā ar smagi traumēt.

Darbarīkam ar iekšējo atloku, kas paredzēts zāģa asmenim, kam nav atvēruma 20 mm vai 15,88 mm diametrā

Atkarībā no valsts

Iekšējam atlokam vienā pusē ir noteikta diametra asmens stiprinājuma daļa, bet otrā pusē asmens stiprinājuma daļai ir diametrs cits. Izvēlieties pareizo pusi, kurā asmens stiprinājuma daļa precīzi atbilst zāģa asmens atvērumam.

- ▶ **Att.36:** 1. Ārējais atloks 2. Zāģa asmens
3. Iekšējais atloks 4. Seššķautņu bultskrūve (ar kreiso vītni) 5. Vārpsta 6. Asmens stiprinājuma daļa

▲UZMANĪBU: Pārbaudiet, vai iekšējā atloka asmens stiprinājuma daļa a, kas novietota ārpusē, pilnībā atbilst zāģa asmens atvērumam a. Nepareizajā pusē ievietots asmens var izraisīt bīstamas vibrācijas.

Putekļu maiss

Papildu piederumi

Lietojot putekļu maisu, zāģēšanas laikā neizceļas putekļi, jo pavisam vienkāršā veidā tie tiek savākti. Lai uzstādītu putekļu maisu, uzlieciat to uz putekļu sprauslas.

Lai pievienotu stiprinājumu, novietojiet stiprinājuma augšējo pusi pret trīsstūra marķējumu uz putekļu maisa. Kad putekļu maiss ir aptuveni līdz pusei piepildīts, noņemiet to nost no darbarīka un stiprinājumu izspiediet ārā. Iztukšojiet maisa saturu, viegli pa to pasītot, lai atdalītu iekšpusē pielipušās daļiņas, kas turpmāk varētu traucēt putekļu savākšanai.

- ▶ **Att.37:** 1. Putekļu maiss 2. Putekļsūcēja uzgalis
3. Stiprinājums

PIEZĪME: Ja zāģim pievienosiet putekļsūcēju, darbs ar to būs tīrāks.

Apstrādājamā materiāla nostiprināšana

▲BRĪDINĀJUMS: Ļoti svarīgi ir vienmēr pareizi nostiprināt apstrādājamo materiālu ar pareizo skrūvspīļu veidu. Ja to neizdara, iespējams izraisīt nopietnus ievainojumus un radīt bojājumus darbarīkam un/vai apstrādājamam materiālam.

▲BRĪDINĀJUMS: Zāģējot materiālu, kas ir garāks par zāģa atbalsta pamatni, materiāls jāatbalsta visā garumā aiz atbalsta pamatnes un tajā pašā augstumā, lai materiāls būtu nolīmeņots. Pareizs apstrādājamā materiāla atbalsts ļaus izvairīties no asmens iestrēgšanas un iespējama atsītiņa, kas var izraisīt smagu traumu. Neizmantojiet tikai vertikālās un/vai horizontālās skrūvspīles, lai nostiprinātu materiālu. Plāni materiāli mēdz ieliekties. Nostipriniet apstrādājamo materiālu visā tā garumā, lai asmens neiestrēgtu un lai nerastos ATSITIENS.

- ▶ **Att.38:** 1. Atbalsts 2. Pagriežamā pamatne

Vertikālās skrūvspīles

▲BRĪDINĀJUMS: Veicot visas darbības, stingri nostipriniet apstrādājamo materiālu ar skrūvspīlēm pie pagriežamās pamatnes un vadotnes ierobežotāja. Pretējā gadījumā materiāls griešanas laikā var izkustēties, radot asmens bojājumus; turklāt materiāls var tikt izsviests, radot kontroles zudumu un smagas traumas.

Uzstādiat vertikālās skrūvspīles vadotnes ierobežotāja vai turētāja mezgla (papildpiederums) kreisajā vai labajā pusē. Ievietojiet skrūvspīļu stieni vadotnes ierobežotāja vai turētāja mezgla atverē un pievelciat apakšējo skrūvi, lai nostiprinātu šo stieni.

- **Att.39:** 1. Skrūvspīļu svira 2. Skrūvspīļu stienis 3. Vadotnes ierobežotājs 4. Turētājs 5. Turētāja mezgls 6. Skrūvspīļu kloķis 7. Apakšējā skrūve 8. Augšējā skrūve

Novietojiet skrūvspīļu sviru atbilstoši apstrādājamā materiāla biežumam un formai, un nostipriniet skrūvspīļu sviru, pievelkot apakšējo skrūvi. Ja augšējā skrūve saskaras ar vadotnes ierobežotāju, uzstādiet augšējo skrūvi skrūvspīļu sviras pretējā pusē. Pārliedzinieties, vai, nolaižot rokturi uz leju līdz galam un pilnībā pavelkot vai pastumjot atbalstu, darbarīks nesaskaras ar skrūvspīlēm. Ja kāda daļa darbarīka ar tām saskaras, mainiet skrūvspīļu stāvokli.

Spiediet apstrādājamo materiālu līdzeni uz vadotnes ierobežotāja un pagriezāmās pamatnes. Novietojiet apstrādājamo materiālu vēlamajā zāgēšanas stāvoklī un cieši to piestipriniet, pievelkot skrūvspīļu rokturi.

Horizontālās skrūvspīles

Papildu piederumi

▲BRĪDINĀJUMS: Satveriet apstrādājamo materiālu tikai tad, ja rādītājs atrodas augstākajā stāvoklī. Ja šādi nerīkosieties, apstrādājamais materiāls var nebūt pietiekami cieši nostiprināts. Tādējādi apstrādājamais materiāls var izkrist, sabojājot asmeni vai izraisīt kontroles zaudēšanu, kā rezultātā iespējams gūt traumas.

- **Att.40:** 1. Skrūvspīļu kloķis 2. Indikators 3. Skrūvspīļu vārpsta 4. Pamatne

Horizontālās skrūvspīles iespējams uzstādīt kreisajā pamatnes pusē.

Griežot skrūvspīļu rokturi pretēji pulksteņrādītāja virzienam, skrūve tiek atbrīvota, un skrūvspīļu vārpsta var strauji pārvietoties uz iekšu un uz āru. Griežot skrūvspīļu rokturi pulksteņrādītāja virzienā, skrūve paliek pieskrūvēta.

Lai satvertu apstrādājamo materiālu, uzmanīgi pagrieziet skrūvspīļu rokturi pulksteņrādītāju kustības virzienā, līdz rādītājs sasniedz augstāko stāvokli; tad to cieši nostipriniet. Ja, griežot skrūvspīļu rokturi pulksteņrādītāju kustības virzienā, to ar spēku spiež uz iekšu vai velk ārā, rādītājs var apstāties kādā leņķī. Šajā gadījumā pagrieziet skrūvspīļu rokturi atpakaļ pretēji pulksteņrādītāju kustības virzienam, līdz skrūve ir atbrīvota, un tad to atkal uzmanīgi pagrieziet pulksteņrādītāju kustības virzienā.

Maksimālais horizontālo skrūvspīļu izmantošanas platums ir 120 mm.

Rokturi un turētāja mezgls

Papildu piederumi

▲BRĪDINĀJUMS: Vienmēr atbalstiet garu apstrādājamo materiālu tā, lai tas ir vienā līmenī ar pagriezāmā pamata augšējo virsmu, nodrošinot precīzu griezumam un nepieļaujot bīstamu darbarīka kontroles zudumu. Pareizs apstrādājamā materiāla atbalsts ļaus izvairīties no asmens iestrēgšanas un iespējama atsitiena, kas var izraisīt smagu traumu.

Turētāju un tā mezglu ir iespējams uzstādīt jebkurā pusē, izmantojot tos par ērtiem apstrādājamā materiāla horizontālā stāvokļa balstiem.

Uzstādiet tos darbarīka sānos, tad cieši pievelciet skrūves, lai nostiprinātu tos.

- **Att.41:** 1. Turētājs 2. Turētāja mezgls

Zāgējot garus materiālus, izmantojiet turētāja un stieņu mezglu (papildpiederums). Tas sastāv no divu turētāju mezgliem un diviem stieņiem 12.

- **Att.42:** 1. Turētāja mezgls 2. Stienis 12

EKSPLUATĀCIJA

▲BRĪDINĀJUMS: Pirms slēdža ieslēgšanas pārbaudiet, vai asmens nesaskaras ar apstrādājamo materiālu u. c. Ja darbarīku ieslēdz, kad asmens saskaras ar apstrādājamo materiālu, var izraisīt atsitieni un nopietnus ievainojumus.

▲BRĪDINĀJUMS: Pēc zāgēšanas nepaceliet asmeni, kamēr tas nav pilnībā apstājies. Asmens, kas kustas pēc inerces, pacelšana var radīt nopietnus ievainojumus un bojāt apstrādājamo materiālu.

▲BRĪDINĀJUMS: Nepieskarieties spīļējuma skrūvēm, kas notur slīdbalstus, kamēr zāģa asmens griežas. Pretējā gadījumā var tikt zaudēta kontrole pār darbarīku un rasties traumas.

IEVĒRĪBAI: Pirms ekspluatācijas obligāti atbrīvojiet rokturi no zemākā stāvokļa, pavelkot aiztura tapu.

IEVĒRĪBAI: Zāgējot nespiediet pārāk daudz uz roktura. Spiežot pārāk stipri, dzinējam var rasties pārslodze un/vai zāgēšanas efektivitāte var mazināties. Spiediet rokturi uz leju tikai tik spēcīgi, cik vajadzīgs, lai zāģētu vienmērīgi, ievērojami nemazinaot asmens ātrumu.

IEVĒRĪBAI: Lai zāģētu, uzmanīgi spiediet uz leju rokturi. Ja rokturi spiedīsiet uz leju spēcīgi vai ja spiedīsiet to no sāniem, asmens vibrēs un vairs nevirzīsies pa atzīmēto līniju uz apstrādājamā materiāla (zāģa atzīmi), un zāģis vairs nezāģēs precīzi.

IEVĒRĪBAI: Virzot zāģi zāgējot, uzmanīgi bīdīet atbalstu vadotnes ierobežotāja virzienā, nepārtraucot šo darbību. Ja zāģēšanas laikā pārtrauksiet bīdīt atbalstu, apstrādājamā materiālā būs redzamas šīs vietas pēdas, kā arī zāģis vairs nezāģēs precīzi.

Zāģēšana ar spiedienu (zāgējot mazus materiālus)

▲BRĪDINĀJUMS: Lai atbalsts darba laikā neizkustētos, pulksteņrādītāju kustības virzienā cieši pievelciet abas spīļējuma skrūves, ar ko piestiprināti slīdbalsti. Ja atduses skrūvi cieši nepieskrūvē, tas var izraisīt iespējamu atsitieni, kas var radīt nopietnus ievainojumus.

- **Att.43**

Apstrādājamais materiāls 52 mm augstumā un 97 mm platumā iespējams sazāģēt tālāk minētajā veidā.

1. Bīdīet atbalstu vadotnes ierobežotāja virzienā līdz galam un, lai nostiprinātu atbalstu, pulksteņrādītāja virzienā pieskrūvējiet abas spīļējuma skrūves, ar ko piestiprināti slīdbalsti.

- Ar pareizo skrūvspju veidu nostipriniet apstrādājamo materiālu.
- Ieslēdziet darbarīku, asmenim nesaskaroties ar virsmu, un pirms tā nolaišanas lejup nogaidiet, kamēr asmens darbojas ar pilnu jaudu.
- Lai zāģētu materiālu, uzmanīgi nolaidiet rokturi līdz zemākajam stāvoklim.
- Kad zāģēšana pabeigta, izslēdziet darbarīku un **nogaidiet, līdz asmens pilnībā apstāties**, pirms atgriezt atpakaļ pilnīgi paceltā stāvoklī.

Zāģēšana ar virzīšanu (spiešanu) (zāģējot platus materiālus)

▲BRĪDINĀJUMS: Vienmēr, kad tiek veikta slīdes zāģēšana, vispirms pavelciet atbalstu pilnībā pret sevi un pilnībā nospiediet rokturi, tad virziet atbalstu pret vadotni. Nesāciet zāģēšanu, ja atbalsts pilnībā nav pavilkts pret sevi. Ja veicat slīdes zāģēšanu, nepavelkot atbalstu pilnībā pret sevi, var rasties neparedzēts atsitieni un izraisīt nopietnus ievainojumus.

▲BRĪDINĀJUMS: Nekad neveiciet slīdes zāģēšanu, veicot atbalstu pret sevi. Ja zāģēšana laikā atbalstu veļk pret sevi, var izraisīt neparedzētu atsitieni, kas var radīt nopietnus ievainojumus.

▲BRĪDINĀJUMS: Nekad neveiciet slīdes zāģēšanu, ja rokturis ir bloķēts zemākajā stāvoklī.

▲BRĪDINĀJUMS: Asmenim griežoties, nekad neatlaidiet rokturi, ar ko piestiprināts atbalsts. Vajļgs atbalsts zāģēšanas laikā var izraisīt neparedzētu atsitieni, kas var radīt nopietnus ievainojumus.

► Att.44

- Preļēji pulksteņrādītāja virzienam atskrūvējiet divas spīlējuma skrūves, ar ko piestiprināti slīdbalsti, lai atbalstu varētu brīvi virzīt.
- Ar pareizo skrūvspju veidu nostipriniet apstrādājamo materiālu.
- Pavelciet atbalstu virzienā pret sevi līdz galam.
- Ieslēdziet darbarīku, asmenim nesaskaroties ar virsmu, un nogaidiet, kamēr asmens darbojas ar pilnu jaudu.
- Nospiediet uz leju rokturi un **bīdīet atbalstu vadotnes ierobežotāja virzienā un cauri apstrādājamajam materiālam**.
- Kad zāģēšana pabeigta, izslēdziet darbarīku un **nogaidiet, līdz asmens pilnībā apstāties**, pirms atgriezt atpakaļ pilnīgi paceltā stāvoklī.

Zāģēšana leņķī

Skatiet iepriekš sadaļu „Leņķa regulēšana”.

Slīpleņķa zāģēšana

▲BRĪDINĀJUMS: Pēc asmens iestatīšanas slīpai zāģēšanai un pirms darbarīka izmantošanas nodrošiniet, lai atbalsts un asmens brīvi virzās visā paredzētā zāģējuma diapazonā. Atbalsta vai asmens gājienu kavēšana zāģēšanas laikā var izraisīt atsitieni un nopietnus ievainojumus.

▲BRĪDINĀJUMS: Veicot slīpu zāģēšanu, neturiet rokas asmens ceļā. Asmens leņķis var lietotājam sniegt citu priekšstatu par asmens isto ceļu zāģēšanas laikā, un saskare ar asmeni izraisa smagas traumas.

▲BRĪDINĀJUMS: Asmeni nedrīkst pacelt, pirms tas ir pilnībā apstājies. Slīpās zāģēšanas laikā nozāģētais gabals var atrasties pie asmens. Ja pacel rētojšu asmeni, nozāģēto gabalu asmens var izmest gaisā, sadrumstalojot materiālu, kas var izraisīt nopietnus ievainojumus.

▲UZMANĪBU: (Tikai darbarīkiem ar apakšbarjeru) Vienmēr uzstādiet apakšbarjeru uz ārpusi, zāģējot slīpā leņķī uz kreiso pusi.

► Att.45

- Atlaidiet sviru un, lai uzstādītu slīpo leņķi, sasveriet zāģa asmeni (skatiet iepriekš sadaļu „Slīpā leņķa noregulēšana”). Obligāti vēlreiz no jauna cieši pievelciet sviru, lai droši nostiprinātu izvēlēto slīpo leņķi.
- Ar skrūvspīlēm nostipriniet apstrādājamo materiālu.
- Pavelciet atbalstu virzienā pret sevi līdz galam.
- Ieslēdziet darbarīku, asmenim nesaskaroties ar virsmu, un nogaidiet, kamēr asmens darbojas ar pilnu jaudu.
- Tad uzmanīgi nolaidiet rokturi līdz zemākajam stāvoklim, spiežot paralēli asmenim, un, **lai zāģētu apstrādājamo materiālu, bīdīet atbalstu vadotnes ierobežotāja virzienā**.
- Kad zāģēšana pabeigta, izslēdziet darbarīku un **nogaidiet, līdz asmens pilnībā apstāties**, pirms atgriezt atpakaļ pilnīgi paceltā stāvoklī.

IEVĒRĪBAI: Spiežot rokturi uz leju, spiediet paralēli asmenim. Ja spiedīsiet perpendikulāri pagriežamajai pamatnei vai ja zāģējot mainīsiet spiešanas virzienu, zāģis vairs nesazāģēs precīzi.

Kombinētā zāģēšana

Kombinētā zāģēšana ir process, kurā slīpais leņķis uz apstrādājamā materiāla tiek veidots vienlaicīgi ar zāģēšanas leņķi. Kombinēto zāģēšanu iespējams veikt tabulā redzamajā leņķī.

Zāģēšanas leņķis	Slīpais leņķis
Pa kreisi un pa labi 45°	Pa kreisi 0° - 45°
Pa labi 50°	Pa kreisi 0° - 40°
Pa labi 55°	Pa kreisi 0° - 30°
Pa labi 57°	Pa kreisi 0° - 25°

Zāģējot kombinēti, skatiet skaidrojumus sadaļā „Zāģēšana ar spiedienu”, „Zāģēšana, virzot zāģi”, „Zāģēšana leņķī” un „Slīpleņķa zāģēšana”.

Jostiņu virs dzegas un stūrļistu zāģēšana

Jostiņas virs dzegas un stūrļistes var izzāģēt ar kombinēto leņķzāģi, profilus novietojot plakaniski uz pagriežamās pamatnes.

Ir divi standarta jostiņu virs dzegas veidi un viens stūrļistes veids; 52/38° sienas leņķa jostiņa virs dzegas, 45° sienas leņķa jostiņa virs dzegas un 45° sienas leņķa stūrļiste.

► **Att.46:** 1. 52/38° tipa jostiņa virs dzegas 2. 45° tipa jostiņa virs dzegas 3. 45° tipa stūrļiste

Ir jostiņu virs dzegas un stūrļistu saduras, kas izgatavotas „iekšējiem” 90° stūriem ((a) un (b) attēlā) un „ārējiem” 90° stūriem ((c) un (d) attēlā).

► **Att.47:** 1. Iekšējais stūris 2. Ārējais stūris

► **Att.48:** 1. Iekšējais stūris 2. Ārējais stūris

Mērīšana

Izmēriet sienas platumu un atbilstoši pielāgojiet tam apstrādājamā materiāla platumu. Vienmēr pārliecinieties, ka apstrādājamā materiāla platums saskaras ar tā paša garuma sienas malu.

► **Att.49:** 1. Apstrādājamo materiālu 2. Sienas platumu 3. Apstrādājamo materiāla platumu 4. Sienas saskare ar malu

Vienmēr vairākus gabalus izmantojiet pārbaudei, lai pārbaudītu zāģēšanas leņķus.

Zāģējot jostiņas virs dzegas un stūrļistes, iestatiet slīpo leņķi un zāģēšanas leņķi, kā norādīts (A) tabulā, un novietojiet profilus uz zāģa pamatnes augšējās virsmas, kā norādīts (B) tabulā.

Veicot kreisās puses slīpo zāģēšanu

► **Att.50:** 1. Iekšējais stūris 2. Ārējais stūris

Tabula (A)

–	Stūrļistes stāvoklis attēlā	Slīpais leņķis		Zāģēšanas leņķis	
		52/38° tips	45° tips	52/38° tips	45° tips
Iekšējam stūrim	(a)	Pa kreisi 33,9°	Pa kreisi 30°	Pa labi 31,6°	Pa labi 35,3°
	(b)			Pa kreisi 31,6°	Pa kreisi 35,3°
Ārējam stūrim	(c)			Pa labi 31,6°	Pa labi 35,3°
	(d)				

Tabula (B)

–	Stūrļistes stāvoklis attēlā	Stūrļistes mala pret vadotnes ierobežotāju	Sazāģētais materiāls
Iekšējam stūrim	(a)	Griestu saskares malai jāatrodas pret vadotnes ierobežotāju.	Sazāģētais materiāls atradīsies asmens kreisajā pusē.
	(b)	Sienas saskares malai jāatrodas pret vadotnes ierobežotāju.	
Ārējam stūrim	(c)	Griestu saskares malai jāatrodas pret vadotnes ierobežotāju.	Sazāģētais materiāls atradīsies asmens labajā pusē.
	(d)	Griestu saskares malai jāatrodas pret vadotnes ierobežotāju.	

Piemērs:

zāģējot 52/38° leņķa jostiņu virs dzegas stāvoklim (a) iepriekšējā attēlā, rīkojieties, kā tālāk norādīts.

- Nolieciet un nostipriniet slīpā leņķa iestatījumu uz 33,9° PA KREISI.
- Noregulējiet un nostipriniet zāģēšanas leņķa iestatījumu uz 31,6° PA LABI.
- Novietojiet jostiņu virs dzegas ar tās plato aizmugures (slēpto) virsmu uz pagriežamās pamatnes un ar GRIESTU MALU pret zāģa vadotnes ierobežotāju.
- Izmantotais sazāģētais materiāls pēc zāģēšanas pabeigšanas vienmēr atradīsies KREISAJĀ pusē no zāģa asmens.

Alumīnija profilu zāģēšana

► **Att.51:** 1. Skrūvspīles 2. Starplikas bloks 3. Vadotnes ierobežotājs 4. Alumīnija profils 5. Starplikas bloks

Alumīnija profilu nostiprināšanai izmantojiet starplikas blokus vai atgriezumus gabalus, kā parādīts attēlā, lai alumīnijs netiktu deformēts. Zāģējot alumīnija profilu, izmantojiet zāģēšanas smērvielu, lai uz asmens nenogulsnētos alumīnijs.

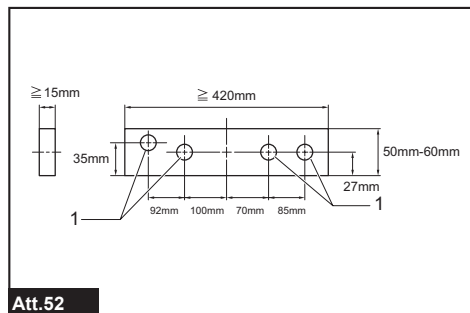
⚠UZMANĪBU: Nekādā gadījumā nezāģējiet biezus vai apaļus alumīnija profilus. Biezi alumīnija profili darba laikā var kļūt vaļīgi, bet apaļus profilus ar šo darbarīku nav iespējams cieši nostiprināt.

Koka finierējums

⚠BRĪDINĀJUMS: Koka finierējumu pie vadotnes ierobežotāja pieskrūvējiet ar skrūvēm. Skrūves jāieskrūvē tā, lai skrūvju galviņas atrastos zemāk par koka finierējuma virsmu un netraucētu zāģējamā materiāla novietošanai. Zāģējamā materiāla nepareizs novietojums var izraisīt neparedzētu izkustēšanos zāģēšanas laikā, kas var izraisīt kontroles zudumu un nopietnus ievainojumus.

⚠UZMANĪBU: Kā koka finierējumu izmantojiet taisnu un vienmērīga platumā koka gabalu.

Izmantojot koka finierējumu, apstrādājamo materiālu iespējams sazāgēt, neveidojot skabargas. Piestipriniet koka finierējumu pie vadotnes ierobežotāja, šim nolūkam izmantojot caurumus ierobežotāja. Skat. zīmējumu attiecībā uz paredzētā koka finierējuma izmēriem.



Att.52

► **Att.52:** 1. Atveres

IEVĒRĪBAI: Kad koka finierējums ir piestiprināts, negrieziet pagriežamo galdau, ja rokturis ir nolaists lejā. Tādējādi sabojāsi asmeni un/vai koka finierējumu.

Atkārtota zāgēšana vienādā platumā

Zāgējot vairākus vienāda garuma materiāla gabalus — robežās no 220 mm līdz 385 mm garumam —, ar bloķēšanas plāksni (papildpiederums) darbu paveiksiet daudz efektīvāk. Uzstādiēt bloķēšanas plāksni uz turētāja (papildpiederums), kā attēlots zīmējumā.

► **Att.53:** 1. Bloķēšanas plāksne 2. Turētājs 3. Skrūve Salāgojiet apstrādājamā materiāla zāgēšanas līniju ar iezāgēšanas plātnes rievu kreiso vai labo pusi un, turot materiālu tā, lai tas neizkustētos, virziet bloķēšanas plāksni vienā līmenī ar materiāla galu. Tad ar skrūvi plāksni pieskrūvējiet.

Ja bloķēšanas plāksni nelietojat, atskrūvējiet skrūvi un pagrieziet plāksni prom no zāgēšanas zonas.

PIEZĪME: Izmantojot turētāju un stieņu mezglu (papildpiederums), ir iespējams zāgēt atkārtoti vienādā platumā — apmēram līdz 2 200 mm.

Rievu zāgēšana

▲BRĪDINĀJUMS: Nemēģiniet veikt šāda veida zāgēšanu, izmantojot platāku asmeni vai cokolas-asmeni. Ja gropes zāgēšanu mēģina veikt ar platāku asmeni vai cokolasasmeni, tas var radīt neparedzētus zāgēšanas rezultātus un atsitienu, kas var izraisīt nopietnus ievainojumus.

▲BRĪDINĀJUMS: Ja nezāgējat rievu zāgēšanas režīmā, bet kādā citā, obligāti novietojiet aiztura kloķi atpakaļ tā sākotnējā stāvoklī. Ja zāgēšanu mēģina veikt ar sprūda strēli nepareizā stāvoklī, tas var radīt neparedzētus zāgēšanas rezultātus un atsitienu, kas var izraisīt nopietnus ievainojumus.

Lai veiktu kokolveida zāgēšanu, rīkojieties, kā tālāk norādīts:

1. Lai ierobežotu asmens zāgēšanas dziļumu, ar regulēšanas skrūvi un aiztura kloķi noregulējiet asmens apakšējās robežas stāvokli. Skatiet sadaļu „Aiztura kloķis”, kas ir aprakstīta iepriekš.
2. Kad asmens apakšējās robežas stāvoklis noregulēts, zāgējiet paralēlas rievas visa apstrādājamā materiāla platumā, izmantojot zāgēšanas ar virzīšanu (spiešanu) režīmu.

► **Att.54:** 1. Izzāgējiet rievas ar asmeni

3. Izņemiet starp rievām esošos materiāla atgriezumus.

Darbarīka pārnēsāšana

▲BRĪDINĀJUMS: Aiztura tapa ir paredzēta tikai pārnēsāšanai un glabāšanai, un to nedrīkst izmantot zāgēšanas darbībām. Izmantojot aiztura tapu zāgēšanas laikā, iespējams izraisīt neparedzētu zāga asmens izkustēšanos, kas radīs atsitienu un nopietnus ievainojumus.

▲UZMANĪBU: Pirms darbarīka pārnēsāšanas vienmēr nostipriniet visas kustīgās daļas. Ja darbarīka daļas pārnēsāšanas laikā izkustās vai izslīd, var rasties kontroles vai līdzsvara zudums, kas radīs ievainojumus.

► **Att.55**

1. Izņemiet akumulatora kasetni.
2. Nostipriniet asmeni 0° slīpā leņķī un pagriežamo pamatni — zāgēšanas leņķī uz labo pusi līdz galam.
3. Nostipriniet slīdbalstus tādā veidā, lai apakšējais slīdbalsts ir bloķēts stāvoklī, kad atbalsts ir pilnībā pavilkts uz lietotāja pusi, bet augšējie slīdbalsti ir bloķēti stāvoklī, kad atbalsts ir pilnībā pastumts uz priekšu pret vadotnes ierobežotāju.
4. Nolaidiet rokturi uz leju līdz galam un nobloķējiet to zemākajā stāvoklī, nospiežot aiztura tapu.
5. Pārnēsājiet darbarīku, turot tā pamatnes abas puses. Darbarīku ir iespējams pārnēsāt ērtāk, noņemot rokturus, putekļu maisu u. c.

APKOPE

▲BRĪDINĀJUMS: Lai darba rezultāts būtu maksimāli kvalitatīvs un drošs, vienmēr pārbaudiet, vai asmens ir ass un tīrs. Mēģinot zāgēt ar trulu un/ vai netīru asmeni, iespējams izraisīt atsitienu un radīt nopietnus ievainojumus.

▲UZMANĪBU: Pirms darbarīka pārbaudes vai apkopes vienmēr pārliecinieties, ka darbarīks ir izslēgts un akumulatora kasetne ir izņemta.

IEVĒRĪBAI: Nekad neizmantojiet gazoļnu, benzīnu, atšķaidītāju, spirtu vai līdzīgus šķidrumus. Tas var radīt izbalēšanu, deformāciju vai plaisas.

Zāģēšanas leņķa noregulēšana

Šis darbarīks ir uzmanīgi noregulēts un savietots rūpnīcā, taču, ja ar to nerīkosieties saudzīgi, tas vairs var nebūt pareizi noregulēts. Ja darbarīks nav pareizi savietots, rīkojieties šādi:

Zāģēšanas leņķis

1. Bīdīet atbalstu vadotnes ierobežotāja virzienā un, lai nostiprinātu atbalstu, pieskrūvējiet divas spīlējuma skrūves.

2. Grieziet pagriežamo pamatni tā, lai rādītājs būtu vērstš pret 0° atzīmi uz zāģēšanas leņķa skalas.

3. Grieziet pagriežamo pamatni pulksteņrādītāju kustības virzienā un pretēji tam, lai to iestatītu 0° zāģēšanas leņķa ierobā. (Atstājiet to, kā ir, ja rādītājs nav vērstš pret 0° leņķa atzīmi.)

4. Ar seššķautņu uzgriežņu atslēgu atskrūvējiet seššķautņu padziļinājuma bultskrūvi, ar ko piestiprināts vadotnes ierobežotājs.

► **Att.56:** 1. Vadotnes ierobežotājs 2. Seššķautņu bultskrūve

5. Nolaidiet rokturi uz leju līdz galam un nobloķējiet to zemākajā stāvoklī, nospiežot auztura tapu.

6. Ar trijstūri, lekālu vai līdzīgu priekšmetu izlīdziniet asmens malu ar vadotnes ierobežotāja priekšējo daļu. Tad virzienā no labās puses cieši pieskrūvējiet vadotnes ierobežotāja seššķautņu bultskrūvi.

► **Att.57:** 1. Trijstūris

7. Pārbaudiet, vai rādītājs ir vērstš pret 0° leņķa atzīmi uz zāģēšanas leņķa skalas. Ja rādītājs nav vērstš pret 0° leņķa atzīmi, atlaidiet skrūvi, ar ko piestiprināts rādītājs, un regulējiet pēdējo tā, lai tas būtu vērstš pret 0° leņķa atzīmi.

► **Att.58:** 1. Skrūve 2. Leņķa skala 3. Rādītājs

Slīpais leņķis

0° slīpais leņķis

► **Att.59:** 1. Svira 2. Kloķa turētājs 3. 0° slīpleņķa regulēšanas bultskrūve 4. Kloķis 5. Atlaišanas poga

1. Bīdīet atbalstu vadotnes ierobežotāja virzienā un, lai nostiprinātu atbalstu, pieskrūvējiet divas spīlējuma skrūves.

2. Nolaidiet rokturi uz leju līdz galam un nobloķējiet to zemākajā stāvoklī, nospiežot auztura tapu.

3. Atbrīvojiet sviru, kas atrodas darbarīka aizmugurē.

4. Lai asmeni savērtu uz labo pusi, divas vai trīs reizes pretēji pulksteņrādītāja virzienam pagrieziet 0° slīpleņķa regulēšanas bultskrūvi (apakšējo bultskrūvi), kas atrodas kloķa labajā pusē.

5. Uzmanīgi grieziet 0° grādu slīpleņķa regulēšanas bultskrūvi pulksteņrādītāju kustības virzienā, līdz asmens mala veido perpendikulāru leņķi ar pagriežamās pamatnes augšējo virsmu. Lietojiet trijstūri, lekālu vai citus mērīšanas rīkus kā palīg līdzekļus. Tad sviru cieši pievelciet.

► **Att.60:** 1. Trijstūris 2. Zāģa asmens 3. Pagriežamā galdā augšpuse

6. Pārbaudiet, vai rādītājs uz kloķa ir vērstš pret 0° leņķa atzīmi uz slīpā leņķa skalas. Ja tas tā nav, atlaidiet skrūvi, ar ko piestiprināts rādītājs, un regulējiet pēdējo tā, lai tas būtu vērstš pret 0° leņķa atzīmi.

► **Att.61:** 1. Slīpā leņķa skala 2. Rādītājs 3. Skrūve

45° slīpais leņķis

► **Att.62:** 1. 45° slīpā leņķa regulēšanas bultskrūve

Regulējiet 45° slīpo leņķi tikai pēc tam, kad ir noregulēts 0° slīpais leņķis.

1. Atlaidiet sviru un sasveriet asmeni pa kreisi līdz galam.

2. Pārbaudiet, vai rādītājs uz kloķa ir vērstš pret 45° leņķa atzīmi uz slīpā leņķa skalas. Ja rādītājs nav vērstš pret 45° leņķa atzīmi, pagrieziet kloķa labajā pusē esošo 45° slīpā leņķa regulēšanas bultskrūvi (augšējo bultskrūvi), līdz rādītājs ir vērstš pret 45° leņķa atzīmi.

Pēc ekspluatācijas

Pēc ekspluatācijas ar lupatīņu vai ko līdzīgu no darbarīka notīriet tam pielipušās skaidas un putekļus. Rūpējieties, lai asmens aizsargs būtu tīrs, ievērojot iepriekš minētajā sadaļā „Asmens aizsargs” minētos norādījumus. Slidošās daļas ieeļļojiet ar mašīneļļu, lai tās nesarūsētu.

Uzglabājot darbarīku, pavelciet atbalstu virzienā pret sevi līdz galam tā, lai slīdbalsts būtu pilnībā ievietots pagriežamajā pamatnē.

Lai saglabātu izstrādājuma DROŠU un UZTICAMU darbību, remontdarbus, apkopi un regulēšanu uzticiet veikt tikai Makita pilnvarotam vai rūpnīcas apkopes centram, un vienmēr izmantojiet tikai Makita rezerves daļas.

PAPILDU PIEDERUMI

▲BRĪDINĀJUMS: Šos piederumus vai papildierīces ieteicams izmantot kopā ar šajā rokasgrāmatā aprakstīto Makita darbarīku. Citu piederumu vai papildierīču izmantošana var radīt nopietnus ievainojumus.

▲BRĪDINĀJUMS: Piederumu vai papildierīces izmantojiet tikai tām paredzētajam mērķim. Piederumu vai papildierīču nepareiza lietošana var radīt nopietnus ievainojumus.

Ja jums vajadzīga palīdzība vai precīzāka informācija par šiem piederumiem, vērsieties savā tuvākajā Makita apkopes centrā.

- Zāģa asmeņi ar karbīda uzgaļiem
- Skrūvspīļu montējums (horizontālās skrūvspīles)
- Vertikālās skrūvspīles
- Turētāja mezgls
- Turētāja stieņa mezgls
- Bloķēšanas plāksne
- Putekļu maiss
- Trijstūris
- Seššķautņu uzgriežņu atslēga
- Makita oriģinālais akumulators un lādētājs

PIEZĪME: Daži sarakstā norādītie izstrādājumi var būt iekļauti instrumenta komplektācijā kā standarta piederumi. Tie dažādās valstīs var būt atšķirīgi.

SPECIFIKACIJOS

Modelis:	DLS714	
Disko skersmuo	190 mm	
Disko korpuso storis	1,3 mm - 2,0 mm	
Angos (ašies) skersmuo (priklauso nuo šalies)	20 mm arba 15,88 mm	
Didž. įžambus kampas	Kairėje 47°, dešinėje 57°	
Didž. įstrižas kampas	Kairėje 45°, dešinėje 5°	
Be apkrovos	5 700 min ⁻¹	
Matmenys (I x P x A)	655 mm x 430 mm x 445 mm	
Vardinė įtampa	Nuolatinė srovė 36 V	
Akumuliatoriaus kasetė	BL1815N, BL1820, BL1820B	BL1830, BL1830B, BL1840, BL1840B, BL1850, BL1850B, BL1860B
Grynasis svoris	13,0 kg	13,5 kg

Pjovimo pajėgumas (A x P), naudojant 190 mm skersmens diską

Nuožulnis kampas	Įstrižasis kampas		
	45° (kairėje)	0°	5° (dešinėje)
0°	40 mm x 300 mm	52 mm x 300 mm	40 mm x 300 mm
	45 mm x 265 mm (1 PASTABA)	60 mm x 265 mm (1 PASTABA)	–
45° (kairėje ir dešinėje)	40 mm x 212 mm	52 mm x 212 mm	–
	45 mm x 185 mm (2 PASTABA)	60 mm x 185 mm (2 PASTABA)	–
57° (dešinėje)	–	52 mm x 163 mm	–
	–	60 mm x 145 mm (3 PASTABA)	–

1. Didž. pjovimo pajėgumas, naudojant 20 mm storio medžio ruošinį
 2. Didž. pjovimo pajėgumas, naudojant 15 mm storio medžio ruošinį
 3. Didž. pjovimo pajėgumas, naudojant 10 mm storio medžio ruošinį
- Atlikame tęstinius tyrimus ir nuolat tobuliname savo gaminius, todėl čia pateikiamos specifikacijos gali būti keičiamos be įspėjimo.
 - Įvairiose šalyse specifikacijos ir akumuliatoriaus kasetė gali skirtis.
 - Svoris su akumuliatoriaus kasete pagal 2003-01 EPTA procedūrą

Simboliai

Toliau yra nurodyti įrangai naudojami simboliai. Prieš naudodami įsitikinkite, ar suprantate jų reikšmę.



Perskaitykite instrukcijų vadovą.



Saugodamiesi sužalojimų, kuriuos gali sukelti skriejančios atliekos, baigę pjauti pjūklo galvutę laikykite nuleidę, kol diskas visiškai sustos.



Atlikdami slenkamąjį pjūvį, pirmiausiai iki galo patraukite vežimėlį ir nuspauskite rankeną žemyn, tada pastumkite vežimėlį kreipiamojo aptvaro link.



Nekiškite rankų ir pirštų prie disko.



Atlikdami kairiuosius įstrižuosius pjūvius, kairėje pusėje visuomet įrenkite PAPILDOMĄ KREIPTUVĄ. To nepadaręs, operatorius gali sunkiai susižeisti.



Cd
Ni-MH
Li-Ion

Taikoma tik ES šalims
Neišmeskite elektros įrangos arba akumuliatoriaus bloko į buitinius šiukšlynus!
Atsivėlgiant į ES direktyvas dėl elektros ir elektroninės įrangos atliekų, dėl baterijų ir akumuliatorių bei baterijų ir akumuliatorių atliekų ir šių direktyvų siekių įgyvendinimą pagal nacionalinius įstatymus, elektros įrangos ir baterijų bei akumuliatorių atliekas būtina surinkti atskirai nuo kitų buitinių atliekų ir atiduoti į antrinių žaliavų perdirbimo aplinkai nekenksmingu būdu punktą.

Numatytoji naudojimo paskirtis

Šis įrankis skirtas tiksliam tiesiam ir kūginiam medienos pjovimui.
Nenaudokite pjūklo jokioms kitoms medžiagoms pjauti, išskyrus medieną, aliuminį arba panašias.

Triukšmas

Įprastas triukšmo A lygis, nustatytas pagal EN61029:
Garso slėgio lygis (L_{pA}): 88 dB (A)
Garso galios lygis (L_{WA}): 97 dB (A)
Paklaida (K): 3 dB (A)

⚠️ JSPĖJIMAS: Dėvėkite ausų apsaugą.

Vibracija

Vibracijos bendroji vertė (trიაšio vektoriaus suma)
nustatyta pagal EN61029 standartą:
Vibracijos emisija (a_h): 2,5 m/s² arba mažiau
Paklaida (K): 1,5 m/s²

PASTABA: Paskelbtasis vibracijos emisijos dydis
nustatytas pagal standartinį testavimo metodą ir jį
galima naudoti vienam įrankiui palyginti su kitu.

PASTABA: Paskelbtasis vibracijos emisijos dydis taip
pat gali būti naudojamas preliminariai įvertinti vibra-
cijos poveikį.

⚠️ JSPĖJIMAS: Faktiškai naudojant elektrinį įrankį,
keliamos vibracijos dydis gali skirtis nuo paskelbtojo
dydžio, priklausomai nuo būdų, kuriais yra naudoja-
mas šis įrankis.

⚠️ JSPĖJIMAS: Siekiami apsaugoti operatorių,
būtinai įvertinkite saugos priemones, remdamiesi
vibracijos poveikio įvertinimu esant faktinėms naudo-
jimo sąlygoms (atsižvelgdami į visas darbo ciklo dalis,
pavyzdžiui, ne tik kiek laiko įrankis veikia, bet ir kiek
kartų jis yra išjungiamas bei kai jis veikia be apkrovų).

ES atitikties deklaracija

Tik Europos šalims

Bendrovė „Makita“ atsakingai pareiškia, kad šis įrengi-
nys (-iai):
Mechanizmo pavadinimas: Akumuliatorinės kombinuo-
tosios nuleidžiamos skersavimo ir kampų suleidimo
staklės
Modelio Nr. / tipas: DLS714
Atitinka šias Europos direktyvas: 2006/42/EC
Yra pagaminti pagal šį standartą arba normatyvinius
dokumentus: EN61029
Techninį dokumentą pagal 2006/42/EC galima gauti iš:
Makita, Jan-Baptist Vinkstraat 2, 3070, Belgium
(Belgija)
16.1.2015

Yasushi Fukaya
Direktorius
Makita, Jan-Baptist Vinkstraat 2, 3070, Belgium
(Belgija)

Bendrieji įspėjimai dirbant elektriniais įrankiais

⚠️ JSPĖJIMAS: Perskaitykite visus saugos
įspėjimus ir visą instrukciją. Nesilaikydami toliau
pateiktų įspėjimų ir instrukcijų galite patirti elektros
smūgi, gaisrą ir (arba) sunkų sužeidimą.

Išsaugokite visus įspėjimus ir instrukcijas, kad galėtumėte jas peržiūrėti ateityje.

Terminas „elektrinis įrankis“ pateiktuose įspėjimuose
reiškia į maitinimo tinklą jungiamą (laidinį) elektrinį įrankį
arba akumuliatoriaus maitinamą (belaidį) elektrinį įrankį.

Įspėjimai dėl kempinio pjūklo saugos

1. Žiūrėkite, kad rankos būtų kuo toliau nuo pjovimo disko tako. Venkite sąlyčio su bet kuriuo iš inercijos judančiu disku. Jis gali sunkiai sužeisti.
2. Prieš pradėdami naudoti, patikrinkite pjovimo diską, ar jis neįtrūkęs arba nedeformuotas. Nedelsdami pakeiskite sugadintus diskus.
3. Pakeiskite įpjovos plokštę, kai ši nusidėvės.
4. Naudokite tik gamintojo nurodytus pjovimo diskus, atitinkančius standartą EN847-1.
5. Nenaudokite pjovimo diskų, pagamintų iš greitapjovio plieno.
6. Naudokite akių apsaugines priemones.
7. Dėvėkite klausos apsaugos priemones, kad sumažintumėte pavojų prarasti klausą.
8. Imdami pjovimo diskus ir žaliavas, mūvėkite pirštines (pjovimo diskai, jei tik įmanoma, turėtų būti nešami dėkluose).
9. Pjovimo metu prijunkite kūginius pjūklus prie dulkių rinktuvo.
10. Pjovimo diskus rinkitės, atsižvelgdami į medžiagą, kurią pjausite.
11. Prieš nešdami įrankį, būtinai užtvirtinkite visas judančias dalis. Keldami arba nešdami įrankį, nenaudokite jo apsauginio gaubto vietoj rankenos.
12. Nenaudokite pjūklo, jei apsauginiai įtaisai nėra įtvirtinti. Prieš kiekvieną naudojimą patikrinkite, ar apsauginis disko įtaisas tinkamai užsidaro. Nenaudokite pjūklo, jei apsauginis disko įtaisas nejuda laisvai ir neužsidaro iš karto. Jokiu būdu neužfiksuokite ir nepririškite apsauginio disko įtaiso atviroje padėtyje.
13. Ant grindų neturi būti birių medžiagų, pvz., skiedrų ir nuopjovų.
14. Naudokite tik tuos pjovimo diskus, ant kurių nurodytas maksimalus sukimosi greitis priylgsta arba viršija ant įrankio nurodytą sukimosi greitį be apkrovos.
15. Jeigu įrankyje įrengtas lazeris arba šviesos diodas, nekeiskite jo kitokio tipo lazeriu arba šviesos diodu. Dėl remonto kreipkitės į įgaliotąjį techninės priežiūros centrą.
16. Iš pjovimo zonos nerinkite jokių nuopjovų ar kitų ruošinio dalių, kol įrankis veikia ir jo pjovimo diskas nėra uždengtas apsauginiu gaubtu.

17. **Jokių veiksmų neatlikite rankomis.** Visų pjovimo darbų metu ruošinys privalo būti tvirtai spaustuvais pritvirtintas prie sukamo pagrindo ir atremtas į kreiptuvą. Niekada nelaikykite ruošinio rankomis.
18. **Prieš pradėdami kiekvieną pjūvį, patikrinkite, ar įrankis yra stabilus.**
19. Jeigu reikia, pritvirtinkite įrankį prie darbastalio.
20. Ilgus ruošinius paremkite tinkamomis papildomomis atramomis.
21. Niekada nepjaukite mažų ruošinių, kurių neįmanoma tvirtai suspausti spaustuvais. Netinkamai laikant ruošinį, gali įvykti atatranka ir galite būti sunkiai sužeisti.
22. Jokiū būdu netieskite rankos už pjovimo disko.
23. Prieš perkeldami ruošinį arba keisdami nustatymus, išjunkite įrankį ir palaukite, kol pjovimo diskas sustos.
24. Atjunkite kištuką nuo elektros tinklo ir (arba) akumuliatorių bloką nuo elektrinio įrankio prieš keisdami diską arba atlikdami techninę priežiūrą.
25. Stabdymo kaištis, užfiksuojuantis pjoviklio galvutę, skirtas tik perkėlimo ir saugojimo tikslams, juo negalima pjauti.
26. Nenaudokite šio įrankio šalia degių skysčių arba dujų. Elektriniam įrankiui veikiant šalia degių skysčių arba dujų, gali kilti sprogdimas ir gaisras.
27. Naudokite tik šiam įrankiui nurodytas junges.
28. Saugokitės, kad nepažeistumėte veleno, jungių (ypač montavimo paviršiaus) ar varžto. Dėl šių dalių pažeidimų gali lūžti diskas.
29. Įsitikinkite, ar sukamasis pagrindas gerai pritvirtintas ir nejudės darbo metu.
30. Prieš pradėdami darbą, rūpindamiesi savo saugumu, pašalinkite nuolaužas, daleles ir pan. nuo stalo paviršiaus.
31. Nepjaukite vinių. Prieš dirbdami apžiūrėkite ruošinį ir išimkite visas vėnis.
32. Prieš įjungdami jungiklį, įsitikinkite, ar ašies fiksatorius neužfiksuoatas.
33. Patikrinkite, ar diskas neliečia sukamojo pagrindo apatinėje padėtyje.
34. Tvirtai laikykite rankenėlę. Saugokitės, nes pjūklas darbo pradžios ir pabaigos metu truputį pajuda aukštyn ar žemyn.
35. Prieš įjungdami jungiklį, patikrinkite, ar diskas neliečia ruošinio.
36. Prieš naudodami įrankį su ruošiniu, leiskite jam kurį laiką veikti be apkrovos. Atkreipkite dėmesį į vibraciją arba klibėjimą – tai reikštų, kad įrankis netinkamai sumontuotas arba kad diskas blogai subalansuotas.
37. Prieš pjudami palaukite, kol diskas įsibėgės visu greičiu.
38. Pastebėję ką nors neįprasto, tučtuojau nutraukite darbą.
39. Nemėginkite užfiksuoti gaiduko, kai įrankis yra įjungtas.
40. Visada būkite budrūs, ypač kai atliekate pasikartojančius monotoniškus veiksmus. Nepasikliaukite apgaulingu saugumo jausmu. Diskai gali padaryti didžiulės žalos.
41. Visada naudokite šioje instrukcijoje rekomenduojamus priedus. Naudojant netinkamus priedus, pvz., šlifavimo diskus, galima susižeisti.
42. Būkite atsargūs darydami pjovimus.
43. Tam tikrose darbo metu atsirandančiose dulksėse yra cheminių medžiagų, kurios sukelia vėžį, apsigimimus ir įvairius žmogaus reprodukcines sistemas sutrikimus. Keli tokių medžiagų pavyzdžiai:
 - švinas iš medžiagos, nudažytos dažais, kurių pagrindą sudaro švinas, ir
 - arsenikas bei chromas iš chemiškai apdorotos medienos.
 Kuo dažniau dirbate tokius darbus, tuo didesnis šių medžiagų keliamas pavojus. Norėdami sumažinti šių chemikalų poveikio galimybę, dirbkite gerai vėdinamose patalpose ir naudokite patvirtintas apsaugines priemones, pvz., kaukes, saugančias nuo dulkių ir specialiai sukurtas mikroskopinėms dalelėms sulaikyti.
44. Siekdami sumažinti skleidžiamą triukšmą, pasirūpinkite, kad diskas būtų aštrus ir švarus.
45. Operatorius turi būti pakankamai apmokytas naudotis mašina, ją taisyti ir eksploatuoti.

SAUGOKITE ŠIAS INSTRUKCIJAS.

⚠️ ĮSPĖJIMAS: NELEISKITE, kad patogumas ir gaminio pažinimas (įgyjamas pakartotinai naudojant susilpnintų griežtą saugos taisyklių, taikytinų šiam gaminiui, laikymąsi. Dėl NETINKAMO NAUDOJIMO arba saugos taisyklių, kurios pateiktos šioje instrukcijoje, nesilaikymo galima rimtai susižeisti.

Svarbios saugos instrukcijos, taikomos akumulatoriaus kasetei

1. Prieš naudodami akumulatoriaus kasetę, perskaitykite visas instrukcijas ir perspėjimus ant (1) akumuliatorių įkroviklio, (2) akumuliatorių ir (3) akumuliatorių naudojančio gaminio.
2. Neardykite akumulatoriaus kasetės.
3. Jei įrankio darbo laikas žymiai sutrumpėjo, nedelsdami nutraukite darbą su įrankiu. Tai gali kelti perkaitimo, nudegimų ar net sprogdimo pavojų.
4. Jei elektrolitas pateko į akis, plaukite jas tyru vandeniu ir nedelsdami kreipkitės į gydytoją. Gali kilti regėjimo praradimo pavojus.
5. Neužtrumpinkite akumulatoriaus kasetės:
 - (1) Nelieskite kontaktų degiomis medžiagomis.
 - (2) Venkite laikyti akumulatoriaus kasetę kartu su kitais metaliniais daiktais, pavyzdžiui, vinimis, monetomis ir pan.
 - (3) Saugokite akumulatoriaus kasetę nuo vandens ir lietaus.
 Trumpasis jungimas akumulatoriuje gali sukelti stiprią srovę, perkaitimą, galimus nudegimus ar net akumulatoriaus gedimą.
6. Nelaikykite įrankio ir akumulatoriaus kasetės vietose, kur temperatūra gali pasiekti ar viršyti 50 °C.

7. Nedeginkite akumulatoriaus kasetės, net jei yra stipriai pažeista ar visiškai susidėvėjusi. Ugnyje akumulatoriaus kasetė gali sprogti.
8. Saugokite akumuliatorių nuo kritimo ir smūgių.
9. Nenaudokite pažeisto akumulatoriaus.
10. Įdėtoms ličio jonų akumuliatoriams taikomi Pavojingų prekių teisės akto reikalavimai. Komercinis transportas, pvz., trečiųjų šalių, prekių vežimo atstovų, turi laikytis specialaus reikalavimo ant pakuotės ir ženklavimo. Norėdami paruošti siūstąją prekę, pasitarkite su pavojingų medžiagų specialistu. Be to, laikykitės galimai išsamesnių nacionalinių reglamentų. Užklijuokite juosta arba padenkite atvirus kontaktus ir supakuokite akumuliatorių taip, kad ji pakuotėje nejudėtų.
11. Vadovaukitės vietos įstatymais dėl akumuliatorių išmetimo.

SAUGOKITE ŠIAS INSTRUKCIJAS.

▲PERSPĖJIMAS: Naudokite tik originalų „Makita“ akumuliatorių. Neoriginalaus „Makita“ arba pakeisto akumulatoriaus naudojimas gali nulemti gaisrą, asmens sužalojimą ir pažeidimą. Tai taip pat panaikina „Makita“ suteikiamą „Makita“ įrankio ir įkroviklio garantiją.

Patarimai, ką daryti, kad akumulatorius veiktų kuo ilgiau

1. Pakraukite akumulatoriaus kasetę prieš jai visiškai išsikraunant. Visuomet nustokite naudoti įrankį ir pakraukite akumulatoriaus kasetę, kai pastebite, kad įrankio galia sumažėjo.
2. Niekada nekraukite iki galo įkrautos akumulatoriaus kasetės. Perkraunant trumpėja akumulatoriaus eksploatacijos laikas.
3. Akumulatoriaus kasetę kraukite esant kambario temperatūrai 10 - 40 °C. Prieš pradėdami krauti, leiskite įkaitusiai akumulatoriaus kasetei atvėsti.
4. Įkraukite akumulatoriaus kasetę, jei jos nenaudojate ilgą laiką (ilgiau nei šešis mėnesius).

DALIŲ APRAŠYMAS

► Pav.1

1	Atlaisvinimo mygtukas	2	Gaidukas	3	Disko aptvaras	4	Reguliavimo varžtas (apatinei ribinei padėčiai)
5	Reguliavimo varžtas (didžiausiam pjovimo pajėgumui)	6	Fiksavimo rankena	7	Dulkių surinkimo maišelis	8	Įstrijų kampų skalė
9	Pjovimo disko apsauga	10	Vertikalus spaustuvus	11	Kreipiamasis aptvaras	12	Laikiklis
13	Fiksuojamoji svirtis (sukiojamam pagrindui)	14	Rankena (sukiojamam pagrindui)	15	Reguliavimo varžtas (sukiojamam pagrindui)	16	Prapjovimo plokštė
17	Rodyklė (įžambiam kampui)	18	Sukiojamas pagrindas	-	-	-	-

► Pav.2

19	Slankiojamas strypas (viršutinis)	20	Sparnuotoji veržlė (viršutiniam slankiojamam strypui fiksuoti)	21	Šešiakampis veržliaraktis	22	Suveržimo varžtas (fiksavimo laikikliui)
23	Svirtis (įstrižiams kampanams reguliuoti)	24	Slankiojamas strypas (apatinis)	25	Sparnuotoji veržlė (apatiniam slankiojamam strypui fiksuoti)	-	-

SUMONTAVIMAS

Staklių sumontavimas

▲ISPĖJIMAS: Užtikrinkite, kad įrankis nejudėtų ant atraminio paviršiaus. Pjovimo metu kampiniam pjūklui pajudėjus ant atraminio paviršiaus, galima prarasti kontrolę ir sunkiai susižeisti.

1. Įsukdami du varžtus, pritvirtinkite pagrindą prie lygaus ir stabilaus paviršiaus. Tai neleis įrankiui pasvirti ir sukelti sužeidimo pavojų.

► **Pav.3:** 1. Varžtas

2. Sukite reguliavimo varžtą pagal laikrodžio rodyklę arba prieš ją, kad jis prisiliestų prie grindų paviršiaus ir įrankis stovėtų stabiliai.

► **Pav.4:** 1. Reguliavimo varžtas

VEIKIMO APRAŠYMAS

⚠ JSPĖJIMAS: Prieš pradėdami reguliuoti arba tikrinti įrankio veikimą, visuomet būtinai išjunkite įrankį ir išimkite akumulatoriaus kasetę. Neišjungus ir neišėmus akumulatoriaus kasetės, netyčia įjungus įrankį, galima sunkiai susižeisti.

Akumulatoriaus kasetės uždėjimas ir nuėmimas

⚠ PERSPĖJIMAS: Prieš įdėdami arba išimdami akumulatoriaus kasetę, visada išjunkite įrankį.

⚠ PERSPĖJIMAS: Įdėdami arba išimdami akumulatoriaus kasetę, tvirtai laikykite įrankį ir akumulatoriaus kasetę. Jeigu įrankis ir akumulatoriaus kasetę laikysite netvirtai, jie gali išsllysti iš jūsų rankų, todėl įrankis ir akumulatoriaus kasetė gali būti sugadinti, o naudotojas sužalotas.

- **Pav.5:** 1. Raudonas indikatorius 2. Mygtukas
3. Akumulatoriaus kasetė

Jei norite išimti akumulatoriaus kasetę, ištraukite ją iš įrankio, stumdami mygtuką, esantį kasetės priekyje.

Jei norite įdėti akumulatoriaus kasetę, sulygiuokite liežuvelį ant akumulatoriaus kasetės su grioveliu korpuse ir įstumkite į jai skirtą vietą. Įdėkite iki galo, kol spragtelėdama užsifiksuos. Jeigu matote raudoną indikatorius viršutinėje mygtuko pusėje, ji nėra visiškai užfiksuota.

⚠ PERSPĖJIMAS: Akumulatoriaus kasetę visada įkiškite iki galo, kol nebematysite raudono indikatoriaus. Priešingu atveju ji gali atsitiktinai iškristi iš įrankio, sužeisti jus arba aplinkinius.

⚠ PERSPĖJIMAS: Nekiškite akumulatoriaus kasetės jėga. Jeigu kasetė sunkiai lenda, ją kiškite netinkamai.

PASTABA: Įrankis neveikia tik su viena akumulatoriaus kasete.

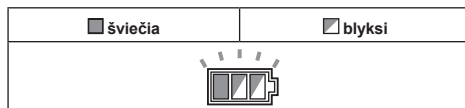
Įrankio / akumulatoriaus apsaugos sistema

Įrankyje įrengta įrankio / akumulatoriaus apsaugos sistema. Ši sistema automatiškai atjungia variklio maitinimą, kad įrankis ir akumulatorius ilgiau veiktų. Įrankis automatiškai išsijungs darbo metu esant vienai iš toliau nurodytų įrankio arba akumulatoriaus darbo sąlygų:

Apsauga nuo perkrovos

Kai įrankis naudojamas taip, kad neįprastai padidėja elektros srovė, įrankis automatiškai išsijungia be jokių indikatorius įspėjimų. Tokiu atveju atleiskite įrankio gaiduką ir nutraukite darbą, dėl kurio kilo įrankio perkrova. Po to vėl įjunkite įrankį.

Apsauga nuo perkaitimo



Jeigu įrankis perkaista, automatiškai išsijungia ir maždaug 60 sekundžių žybučioja akumulatoriaus indikatorius lemputė. Tokiu atveju palaukite, kol įrankis atvės, paskui vėl jį įjunkite.








Apsauga nuo visiško išsikrovimo

Žymiai sumažėjus akumulatoriaus galiai, įrankis automatiškai išsijungia. Jeigu gaminyje neveikia net ir spaudžiant jungiklius, išimkite akumulatorių iš įrankio ir įkraukite.

Likusios akumulatoriaus galios rodymas

- **Pav.6:** 1. Akumulatoriaus indikatorius 2. Tikrinimo mygtukas

Paspauskite tikrinimo mygtuką, kad būtų rodoma likusi akumulatoriaus energija. Akumulatorių indikatoriai parodo atitinkamo akumulatoriaus galią.

Akumulatoriaus indikatoriaus būseną			Likusi akumulatorių galia
 Šviečia	 Nešviečia	 Blyksi	
			50–100 %
			20–50 %
			0–20 %
			Įkraukite akumulatorių

Likusios akumulatoriaus galios rodymas

Tik akumulatoriaus kasetėms su indikatoriumi

- **Pav.7:** 1. Indikatorius lemputės 2. Tikrinimo mygtukas

Paspauskite akumulatoriaus kasetės tikrinimo mygtuką, kad būtų rodoma likusi akumulatoriaus energija. Maždaug trims sekundėms užsidegs indikatorius lemputės.

Indikatorių lemputės			Likusi galia
Šviečia	Nešviečia	Blyksi	
			75 - 100 %
			50 - 75 %
			25 - 50 %
			0 - 25 %
			Įkraukite akumuliatorių.
			Galimai įvyko akumuliatoriaus veikimo triktis.

PASTABA: Rodmuo gali šiek tiek skirtis nuo faktinės energijos lygio – tai priklauso nuo naudojimo sąlygų ir aplinkos temperatūros.

Automatinio greičio keitimo funkcija

► **Pav.8:** 1. Režimo indikatorius

Režimo indikatoriaus būseną	Veikimo režimas
	Didelio greičio režimas
	Didelio sukimo momento režimas

Šis įrankis turi didelio greičio režimą ir didelio sukimo momento režimą. Jis automatiškai perjungia darbo režimą atsižvelgiant į darbo aprova. Kai dirbant užsidega režimo indikatoriaus lemputė, įrankis veikia didelio sukimo momento režimu.

Fiksavimo smaigas

▲PERSPĖJIMAS: Atleisdami fiksavimo smaigą, visada laikykite už rankenos. Antraip rankena pakils į viršų ir gali sužaloti.

Nestipriai spausdami rankenėlę žemyn ir traukdami fiksavimo smaigą, ištraukite fiksavimo smaigą.

► **Pav.9:** 1. Fiksavimo smaigas

Pjovimo disko apsauga

▲JSPĖJIMAS: Niekada neužblokuokite ir nenuimkite disko apsaugos arba ją tvirtinančios spyruoklės. Užblokačius apsaugą, darbo metu galima sunkiai susižeisti į neuždengtą diską.

▲JSPĖJIMAS: Niekada nenaudokite šio įrankio, jei disko apsauga arba spyruoklė yra pažeista, sugadinta arba nuimta. Naudojant įrankį su pažeista, sugadinta arba nuimta apsauga, galima sunkiai susižeisti.

▲PERSPĖJIMAS: Kad galėtumėte saugiai dirbti, visada pasirūpinkite, kad disko apsauga būtų tinkamos darbu būklės. Jei pastebėjote kokių nors disko apsaugos netinkamo veikimo požymių, nedelsdami nutraukite darbą. Patikrinkite spyruoklę, ar ji gali sugražinti apsaugą į pradinę padėtį.

Įrankiams su disko apsaugos atleidimo svirtimi

► **Pav.10:** 1. Disko apsauga A 2. Disko apsauga B

Nuleidus rankenėlę, pjovimo disko apsauga A pakyla automatiškai. Pjovimo disko apsauga B pakyla tada, kai ji prisiliečia prie ruošinio. Apsaugose įrengtos spyruoklės, kurios, baigus pjauti ir pakėlus rankenėlę, sugražina apsaugas į pradinę padėtį.

Įrankiams be disko apsaugos atleidimo svirties

► **Pav.11:** 1. Pjovimo disko apsauga

Nuleidus rankenėlę, disko apsauga pakyla automatiškai. Apsaugoje įrengta spyruoklė, kuri, baigus pjauti ir pakėlus rankenėlę, sugražina apsaugą į pradinę padėtį.

Valymas

► **Pav.12:** 1. Pjovimo disko apsauga

Jeigu permatoma disko apsauga susitępa arba prie jos prilimpa pjūvenos ir jeigu disko ir (arba) ruošinio negalima lengvai įžiūrėti, išimkite akumuliatoriaus kasetę ir kruopščiai nuvalykite apsaugą drėgnu skudurėliu. Plastmasinės apsaugos negalima valyti tirpikliais arba naftos pagrindu pagamintais valikliais, nes šios medžiagos gali pažeisti apsaugą.

Norėdami valyti, vadovaujamiesi skyriumi „Pjovimo disko tvirtinimas arba išėmimas“, pakelkite disko apsaugą.

Baigę valyti, diską ir centrinį gaubtą grąžinkite į prieš tai buvusią vietą, tada priveržkite varžtą šešiakampe galvute.

1. Patikrinkite, ar įrankis išjungtas ir išimtos akumuliatoriaus kasetės.
2. Laikydami už centrinio gaubto, tiekiama šešiakampi veržliarakčiu sukite varžtą šešiakampe galvute pagal laikrodžio rodyklę.
3. Pakelkite disko apsaugą ir atidenkite centrinį gaubtą.
4. Baigę valyti, centrinį gaubtą grąžinkite į jo vietą ir atvirkštine tvarka atlikdami prieš tai nurodytus veiksmus priveržkite varžtą šešiakampe galvute.

▲JSPĖJIMAS: Nenuimkite pjovimo disko apsaugą laikiančios spyruoklės. Jeigu laikui bėgant arba dėl ultravioletinių spindulių poveikio apsauga būtų sugadinta, susisiekię su „Makita“ techninės priežiūros tarnyba dėl pakeitimo. **NEIŠJUNKITE IR NENUIMKITE APSAUGOS.**

Prapjovimo plokštės nustatymas

Šio įrankio sukiojamame pagrinde įrengtos prapjovimo plokštės, kurios sumažina iki minimumo pjūvio išėjimo pusės plėšimą. Prapjovimo plokštės gamykloje nustatytos taip, kad pjovimo diskas jų neliestų. Prieš naudojimą pareguliuokite prapjovimo plokštės:

1. Būtinai išimkite akumuliatoriaus kasetę. Tuomet atsukite visus varžtus (po 2 iš kairės ir dešinės pusės), laikiančius prapjovimo plokštės.

► **Pav.13:** 1. Prapjovimo plokštė 2. Varžtas

- Priveržkite prapjovimo plokštes tiek, kad jas galima būtų lengvai pasukti rankomis.
- Iki galo nuleiskite rankenėlę ir užfiksuokite ją apatinėje padėtyje, įspausdami fiksuatoriaus smaigą.
- Atsukite du suveržimo varžtus, laikiančius slankiojančius strypus.

► **Pav.14:** 1. Sparnuotoji veržlė

- Iki galo savęs link patraukite suportą.
- Nustatykite prapjovimo plokštes taip, kad jos tik liestų pjovimo disko dantų šonus.

► **Pav.15**

- **Pav.16:** 1. Pjovimo diskas 2. Disko dantys 3. Prapjovimo plokštė 4. Kairysis įstrižas pjūvis 5. Tiesusis pjūvis

- Užsukite priekinius varžtus (tačiau tvirtai neužveržkite jų).
- Iki galo stumkite suportą kreipiamojo užtvoro link ir nustatykite prapjovimo plokštes taip, kad jos tik liestų pjovimo disko dantų šonus.
- Užsukite galinius varžtus (tačiau tvirtai neužveržkite jų).
- Nustatę prapjovimo plokštes, ištraukite fiksavimo smaigą ir pakelkite rankenėlę. Po to tvirtai užveržkite visus varžtus.

PASTABA: Nustatę įstrižą kampa, būtina patikrinkite, ar tinkamai nustatytos prapjovimo plokštės. Tinkamai nustačius prapjovimo plokštes, ruošinys bus tinkamai atremtas ir sumažės galimybė išplėšti ruošinį.

Maksimalaus pjovimo pajėgumo palaikymas

Šis įrankis gamykloje nustatytas maksimaliam pjovimo pajėgumui naudojant 190 mm pjovimo diską. Montuodami naują diską, visada patikrinkite apatinę ribinę disko padėtį ir, jeigu reikia, pareguliuokite ją tokiu būdu:

- Ištraukite akumuliatoriaus kasetę; tada iki galo stumkite suportą kreipiamojo užtvoro link ir visiškai nuleiskite rankenėlę.
- **Pav.17:** 1. Reguliavimo varžtas 2. Kreipiamasis aptvaras
- Šešiakampi veržliarakčiu sukite reguliavimo varžtą, kol pjovimo diskas atsidsurs šiek tiek po kreipiamojo aptvaro skersiniu ir sukamojo pagrindo viršutiniu paviršiumi.
- **Pav.18**
- Sukite diską ranka, laikydami iki galo nuspaustą rankenėlę, kad patikrintumėte, ar diskas neličia jokios apatiniam pagrinde esančios dalies. Jeigu reikia, dar truputį pareguliuokite.

▲PERSPĖJIMAS: Sumontavę naują pjovimo diską, neįdėdami akumuliatoriaus kasetės, visada patikrinkite, ar visiškai nuleidus rankenėlę, pjovimo diskas neličia jokios apatiniam pagrinde esančios dalies. Jeigu diskas liečia pagrindą, gali įvykti atitranka, galinti sukelti sunkų sužalojimą.

► **Pav.19**

Fiksavimo rankena

Apatinę ribinę pjovimo disko padėtį galima lengvai nustatyti, naudojant fiksavimo rankeną. Norėdami ją nustatyti, sukite fiksavimo rankeną rodyklės kryptimi, kaip parodyta piešinyje. Sukite reguliavimo varžtą ir, norėdami patikrinti rezultatą, iki galo paspauskite rankeną.

► **Pav.20:** 1. Reguliavimo varžtas 2. Fiksavimo rankena

Papildoma užtvara

Priklausomai nuo šalies

▲PERSPĖJIMAS: Atlikdami kairinius įstrižuosius pjūvius, atlenkite papildomą aptvarą į išorę. Kitu atveju jis gali liestis prie disko arba kitos įrankio dalies, o tai gali baigtis sunkiu operatoriaus sužeidimu.

► **Pav.21:** 1. Papildoma užtvara

Šiame įrankyje sumontuota papildoma užtvara. Papildoma aptvara paprastai nustatoma viduje. Visgi, atlikdami kairinius įstrižuosius pjūvius, atlenkite ją į išorę.

Įžambaus kampo nustatymas

► **Pav.22:** 1. Sukiojamas pagrindas 2. Rodyklė 3. Įstrižo kampo skalė 4. Fiksavimo svirtis 5. Rankena

- Sukdami prieš laikrodžio rodyklę, atlaisvinkite rankeną.
- Paspauskite ir neatleiskite fiksavimo svirties, tada sureguliuokite sukiojamo pagrindo kampa. Vadovaukitės rodykle ir įstrižo kampo skale.
- Sukdami pagal laikrodžio rodyklę, tvirtai užveržkite rankeną.

▲PERSPĖJIMAS: Pakeitę įžambųjį kampa, visuomet užtvirtinkite sukiojamą pagrindą, tvirtai užverždami rankeną.

PASTABA: Sukant sukiojamą pagrindą, rankenėlė turi būti iki galo pakelta.

Įstrižo kampo nustatymas

Norėdami nustatyti įstrižą kampa, atlaisvinkite įrankio gale esančią svirtelę, sukdami prieš laikrodžio rodyklę.

► **Pav.23:** 1. Svirtis 2. Atleidimo mygtukas

Norėdami pakreipti diską į kairę, laikykite už rankenos ir kreipkite suportą. Kaip orientyrą naudokite įstrižo kampo skalę ir rodyklę. Po to, norėdami užtvirtinti rankeną, užveržkite svirtelę, sukdami ją pagal laikrodžio rodyklę.

► **Pav.24:** 1. Rodyklė 2. Įstrižų kampų skalė 3. Rankena

Norėdami pakreipti diską dešinėn, laikykite už rankenos ir šiek tiek pakreipkite suportą į kairę, tada paspauskite atleidimo mygtuką. Atleisdami nuspaustą mygtuką, pakreipkite diską į dešinę. Po to užveržkite svirtelę.

▲PERSPĖJIMAS: Keisdami įstrižą kampa, visada užtvirtinkite rankeną, užverždami svirtelę pagal laikrodžio rodyklę.

PASTABA: Pakreipiant plovimo diską, rankenėlė turi būti iki galo pakelta.

PASTABA: Keisdami įstrižus kampus, atitinkamai nustatykite praplovimo plokštes, kaip paaiškinta skyriuje „Praplovimo plokščių nustatymas“.

Svirtelės padėties nustatymas

Jei svirtelė bėgant laikui neužtikrina visiško priveržimo, pakeiskite jos padėtį. Svirtelės padėtį galima keisti po 30°.

Atlaisvinkite ir išimkite svirtelę tvirtinantį varžtą.

Nuimkite svirtelę ir vėl ją uždėkite taip, kad ji būtų šiek tiek aukščiau virš horizontalios plokštumos. Tuomet tvirtai prisukite svirtelę varžtu.

► **Pav.25:** 1. Svirtis 2. Varžtas

Jungiklio veikimas

⚠️ JSPĖJIMAS: Prieš sumontuodami akumulatoriaus kasetę įrankyje, visuomet patikrinkite, ar gaiduko mygtukas gerai veikia ir atleistas grįžta į padėtį „OFF“. Naudojant įrankį, kurio gaidukas netinkamai veikia, galima prarasti kontrolę ir sunkiai susižaloti.

⚠️ JSPĖJIMAS: Nenaudokite fiksatoriaus su jungiamuoju galu arba kabeliu, kurio skersmuo yra mažesnis nei 6,35 mm. Mažesnis jungiamasis galas arba kabelis gali netinkamai užfiksuoti įrankį išjungimo padėtyje, o netyčia įjungus įrankį, galima sunkiai susižeisti.

⚠️ JSPĖJIMAS: NIEKADA nenaudokite įrankio, jei jo svirtinis jungiklis veikia netinkamai. Bet koks įrankis, kurio jungiklis neveikia, yra NEPAPRASTAI PAVOJINGAS; prieš toliau naudodami tokį įrankį, būtina jį pataisykite, kitaip galite sunkiai susižeisti.

⚠️ JSPĖJIMAS: Jūsų pačių saugumui šiose įrankyje įrengtas atlaisvinimo mygtukas, kuris neleidžia netyčia įjungti įrankio. NIEKADA nenaudokite veikiančio įrankio, jeigu nuspaudėte tik gaiduką, nenuspaudę atlaisvinimo mygtuko. Jungiklis, kurį reikia taisyti, gali netyčia įjungti įrankį ir operatorius gali būti sunkiai sužeistas. Prieš pradėdami vėl naudoti įrankį, atiduokite jį suremontuoti į „Makita“ techninės priežiūros centrą.

⚠️ JSPĖJIMAS: NIEKADA neužklijuokite atlaisvinimo mygtuko lipnia juostele ir nepanaikinkite jo funkcijos kitomis priemonėmis. Jungiklis su užblokuotu atlaisvinimo mygtuku gali netyčia įjungti įrankį ir operatorius gali būti sunkiai sužeistas.

PASTABA: Negalima stipriai spausti jungiklio gaiduko, nenuspaudus atlaisvinimo mygtuko. Taip galima sugadinti jungiklį.

Įrankiams su disko apsaugos atleidimo svirtimi
Fiksavimo svirtelė yra skirta gaiduko apsaugai nuo atsitiktinių paspaudimų. Norėdami įjungti įrankį, pastumkite disko atleidimo svirtelę aukštyn, spauskite atlaisvinimo mygtuką, po to spauskite gaiduką. Norėdami išjungti, atleiskite svirtinį gaiduką.
Atlaisvinimo mygtuką galima nuspaušti iš kairės arba dešinės pusės.

Svirtiniame jungiklyje yra anga pakabinamai spynai įrankiui užrakinti.

- **Pav.26:** 1. Disko apsaugos atleidimo svirtelė
2. Gaidukas 3. Atlaisvinimo mygtukas
4. Pakabinamos spynos anga

Įrankiams be disko apsaugos atleidimo svirties

Fiksavimo svirtelė yra skirta gaiduko apsaugai nuo atsitiktinių paspaudimų. Jei norite įjungti įrankį, paspauskite fiksavimo svirtelę ir tada patraukite gaiduką. Norėdami išjungti, atleiskite svirtinį gaiduką.

Atlaisvinimo mygtuką galima nuspaušti iš kairės arba dešinės pusės.

Svirtiniame jungiklyje yra anga pakabinamai spynai įrankiui užrakinti.

- **Pav.27:** 1. Atlaisvinimo mygtukas 2. Gaidukas
3. Pakabinamos spynos anga

SURINKIMAS

⚠️ JSPĖJIMAS: Prieš pradėdami dirbti su įrankiu, visuomet būtina jį išjunkite ir išimkite akumulatoriaus kasetę. Neišjungus įrankio ir neišėmus akumulatoriaus kasetės, netyčia įjungus įrankį galima sunkiai susižeisti.

Šešiabriaunio veržliarakčio laikymas

Šešiakampis veržliaraktis saugomas, kaip parodyta paveikslėlyje. Jeigu reikia panaudoti šešiakampį veržliarakį, ištraukite jį iš rakto laikiklio.

Panaudoję šešiakampį veržliarakį, grąžinkite jį į rakto laikiklį.

- **Pav.28:** 1. Veržliarakčio laikiklis 2. Šešiakampis veržliaraktis

Ašmenų įdėjimas ir išėmimas

⚠️ JSPĖJIMAS: Prieš montuodami arba nuimdami diską, visuomet būtina išjunkite įrankį ir išimkite akumulatoriaus kasetę. Netyčia paleidus įrankį, galima sunkiai susižeisti.

⚠️ PERSPĖJIMAS: Norėdami sumontuoti arba nuimti diską, naudokite tik „Makita“ šešiakampį veržliarakį. Jeigu naudosite kitą įrankį, galite per daug arba ne iki galo priveržti šešiakampės lizdinės galvutės varžtą. Tai gali sukelti sužeidimus.

Norėdami nuimti diską, atlikite šiuos veiksmus:

1. stumdami fiksavimo smaigą, užfiksuokite rankenėlę iškeltoje padėtyje;

► **Pav.29:** 1. Fiksavimo smaigas

2. sukdami jį prieš laikrodžio rodyklę, šešiakampių veržliarakčių atlaisvinkite šešiakampį varžtą, laikant centrinį gaubtą; tada pakelkite disko apsaugą ir centrinį gaubtą.

► **Pav.30:** 1. Centrinis gaubtas 2. Šešiakampių lizdinis galvutės varžtas 3. Šešiakampis veržliaraktis 4. Plovimo disko apsauga

3. Norėdami užfiksuoti veleną, įspauskite veleno fiksatorių, šešiakampių veržliarakčių atlaisvinkite šešiakampės lizdinės galvutės varžtą, sukdami jį pagal laikrodžio rodyklę. Po to ištraukite veleno šešiakampės lizdinės galvutės varžtą, nuimkite išorinę jungę ir diską.
▶ **Pav.31:** 1. Ašies fiksatorius 2. Šešiakampių lizdinių galvučių varžtas 3. Išorinė jungė

4. Jeigu vidinė jungė išimta, būtinai vėl ją uždėkite ant veleno, jos tvirtinimo dalį nukreipę atokiai nuo disko. Jeigu jungę sumontuosite netinkamai, ji trinsis į stakles.
▶ **Pav.32:** 1. Išorinė jungė 2. Pjovimo diskas 3. Vidinė jungė 4. Šešiakampių lizdinių galvučių varžtas (kairysis) 5. Velenas 6. Disko tvirtinimo dalis

Norėdami pritvirtinti diską, atlikite šiuos veiksmus:

1. kruopščiai pritvirtinkite diską prie vidinės jungės; įsitikinkite, kad ant disko pažymėtos rodyklės kryptis sutampa su ant disko gaubto pažymėtos rodyklės kryptimi.
▶ **Pav.33:** 1. Pjovimo diskas 2. Rodyklė

2. Uždėkite išorinę jungę ir šešiakampės lizdinės galvutės varžtą, po to, spausdami veleno fiksatorių, sukdami prieš laikrodžio rodyklę, šešiakampių veržliarakčių tvirtai užveržkite veleno šešiakampės lizdinės galvutės varžtą (kairėje).

3. Gražinkite pjovimo disko apsaugą ir centrinį gaubtą į jų pradinę padėtį. Tuomet sukdami pagal laikrodžio rodyklę užveržkite centrinio gaubto šešiakampės lizdinės galvutės varžtą.

4. Stumdami fiksavimo smaigą, atlaisvinkite rankenėlę iš iškeltos padėties. Norėdami įsitikinti, ar tinkamai juda pjovimo disko apsauga, nuleiskite rankenėlę.

5. Prieš pradėdami pjauti, patikrinkite, ar veleno fiksatorius atlaisvino ašį.

Įrankiui su vidine jungė, skirta pjovimo diskui su 15,88 mm skersmens vidine anga

Priklausomai nuo šalies

Dėkite vidinę jungę ant tvirtinimo veleno taip, kad įdubusi vidinės jungės pusė būtų nukreipta į išorę, tada uždėkite pjovimo diską (jei reikia, uždėję žiedą), išorinę jungę ir įsukite varžtą su šešiabriaune lizdine galvute.

Įrankis be žiedo

▶ **Pav.34:** 1. Išorinė jungė 2. Pjovimo diskas 3. Vidinė jungė 4. Šešiakampių lizdinių galvučių varžtas (kairysis) 5. Velenas

Įrankis su žiedu

▶ **Pav.35:** 1. Išorinė jungė 2. Pjovimo diskas 3. Vidinė jungė 4. Šešiakampių lizdinių galvučių varžtas (kairysis) 5. Žiedas 6. Velenas

⚠ISPĖJIMAS: Jei diskui ant veleno uždėti reikalingas žiedas, visada patikrinkite, ar tarp vidinės ir išorinės jungių uždėtas žiedas, tinkantis ketinamo naudoti disko veleno angai. Naudojant netinkamo skersmens veleno angai skirtą žiedą, diskas gali būti sumontuotas netinkamai, būti per laisvas ir stipriai vibruoti, todėl galima nesuvaldyti įrankio ir sunkiai susižaloti.

Įrankiui su vidine jungė, skirta pjovimo diskui su kitokia nei 20 mm arba 15,88 mm skersmens vidine anga

Priklausomai nuo šalies

Vidinė jungė vienoje savo pusėje turi vienokio disko tvirtinimo dalį, o kitoje – kitokio skersmens. Pasirinkite tinkamą pusę, kurios disko tvirtinimo dalis idealiai tinka pjovimo disko angai.

▶ **Pav.36:** 1. Išorinė jungė 2. Pjovimo diskas 3. Vidinė jungė 4. Šešiakampių lizdinių galvučių varžtas (kairysis) 5. Velenas 6. Disko tvirtinimo dalis

⚠PERSPĖJIMAS: Įsitikinkite, ar į išorę nukreipta vidinės jungės disko tvirtinimo dalis „a“ idealiai atitinka pjovimo disko angą „a“. Uždėjus diską netinkama puse, gali atsirasti pavojinga vibracija.

Dulkių surinkimo maišelis

Pasirenkamas priedas

Naudojant maišelį dulkmės, pjovimo darbai atliekami švariau, o dulkes lengva surinkti.

Norėdami pritvirtinti dulkių maišelį, užmaukite jį ant dulkių antgalio.

Norėdami pritvirtinti segtuką, sulygininkite viršutinį segtuko galą su trikampė žyme, esančia ant dulkių surinkimo maišelio.

Kai dulkių maišelis pripildomas maždaug iki pusės, nuimkite jį nuo įrankio ir ištraukite sklendę. Išpilkite maišelio turinį, lengvai jį patapšnodami, kad nukristų visos prie vidinių sienelių prilipusios dalelės, kurios galėtų kliudyti tolesniam dulkių surinkimui.

▶ **Pav.37:** 1. Dulkių surinkimo maišelis 2. Dulkių surenkamasis antgalis 3. Fiksatorius

PASTABA: Jeigu prie šio pjovimo įrankio prijungiate dulkių siurbį, darbus galima atlikti švariau.

Ruošinio pritvirtinimas

⚠ISPĖJIMAS: Nepaprastai svarbu visuomet tinkamai įtvirtinti ruošinį, naudojant tinkamos rūšies spaustuvus. Nesilaikant šio nurodymo, galima sunkiai susižeisti ir sugadinti įrankį ir (arba) ruošinį.

⚠ISPĖJIMAS: Pjaunant ruošinį, kuris yra ilgesnis nei atraminis pjovimo įrankio pagrindas, atremkite jį per visą jo ilgį, esantį už atraminio pagrindo, tame pačiame aukštyje, kad ruošinys būtų horizontalus. Tinkama ruošinio atrama padeda išvengti disko suspaudimo ruošinyje ir galimos atatrakos, kuri gali sąlygoti sunkų susižeidimą. Norėdami pritvirtinti ruošinį, nepasikliaukite vien tik vertikaliais ir (arba) horizontaliais spaustuvais. Plonas ruošinys linkęs įlįkti. Norėdami išvengti pjovimo disko sužnybimo ir galimos ATATRANKOS, paremkite ruošinį per visą jo ilgį.

▶ **Pav.38:** 1. Atrama 2. Sukiojamas pagrindas

Vertikalus spaustuvus

▲JSPĖJIMAS: Gerai pritvirtinkite ruošinį spaustuvais prie sukamo pagrindo ir atremkite į kreiptuvą. Antraip pjaunant medžiaga gali judėti, pažeisti diską ir būti nusviesta, todėl galima prarasti kontrolę ir būti rimtai sužalotiems.

Vertikalų spaustuvą sumontuokite kreiptuvo aptvaro kairėje ar dešinėje arba laikiklio montavimo (pasirenkamas priedas) vietoje. Įkiškite spaustuvo strypą į kreiptuve arba laikiklyje esančią skylę ir užveržkite apatinį varžtą, kad užtvirtintumėte spaustuvo strypą.

► **Pav.39:** 1. Spaustuvo rankena 2. Spaustuvo strypas 3. Kreipiamasis aptvaras 4. Laikiklis 5. Laikiklio įtaisas 6. Spaustuvo rankena 7. Apatinis varžtas 8. Viršutinis varžtas

Nustatykite spaustuvo rankeną pagal ruošinio storį ir formą ir užtvirtinkite ją, užverždami viršutinį varžtą. Jeigu viršutinis varžtas liečia kreiptuvo aptvarą, viršutinį varžtą priveržkite priešingoje spaustuvų rankenos pusėje. Patikrinkite, ar visiškai nulaidus rankenėlę ir iki galo traukiant arba stumiant suportą, jokia įrankio dalis nesiliečia prie spaustuvo. Jeigu kokia nors dalis liečia spaustuvą, pakeiskite spaustuvo padėtį. Prispauskite ruošinį prie kreiptuvo ir pasukite pagrindą. Nustatykite ruošinį į norimą pjovimo padėtį ir užtvirtinkite jį, tvirtai užverždami spaustuvo rankeną.

Horizontalus spaustuvus

Pasirenkamas priedas

▲JSPĖJIMAS: Suimkite ruošinį tik tada, kai indikatorius yra aukščiausioje padėtyje. Jeigu nesilaikysite šio nurodymo, ruošinys gali būti suspaustas nepakankamai. Dėl to ruošinys gali būti nusviestas, gali būti sugadintas diskas arba galite prarasti valdymą ir dėl to sužaloti.

► **Pav.40:** 1. Spaustuvo rankena 2. Indikatorius 3. Spaustuvo velenas 4. Pagrindas

Horizontalų spaustuvą galima sumontuoti kairėje pagrindo pusėje.

Sukant spaustuvo rankenėlę prieš laikrodžio rodyklę, varžtas atsukamas ir spaustuvo veleną galima greitai kišti ir traukti. Sukant spaustuvo rankenėlę pagal laikrodžio rodyklę, varžtas lieka užtvirtintas.

Norėdami suspausti ruošinį, atsargiai sukite spaustuvo rankenėlę pagal laikrodžio rodyklę, kol indikatorius pasiekia aukščiausią padėtį, po to tvirtai užveržkite. Sukant pagal laikrodžio rodyklę ir tuo pačiu metu jėga stumiant arba traukiant, indikatorius gali sustoti kampiu. Tokiu atveju sukite spaustuvo rankeną prieš laikrodžio rodyklę, kol varžtas bus atleistas, tuomet iš naujo švelniai sukite pagal laikrodžio rodyklę.

Didžiausias horizontalaus spaustuvo našumas yra 120 mm (plotis).

Laikikliai ir laikiklio įtaisas

Pasirenkamas priedas

▲JSPĖJIMAS: Norėdami, kad pjūvis būtų tikslus, ir siekdami apsaugoti nuo pavojingo įrankio kontrolės praradimo, ilgus ruošinius visuomet atremkite, kad jie būtų horizontalūs sukamo pagrindo viršutinio paviršiaus atžvilgiu. Tinkama ruošinio atrama padeda išvengti disko suspaudimo ruošinyje ir galimos atatrakos, kuri gali sąlygoti sunkų susižeidimą.

Laikiklius ir laikiklio įtaisą (pasirenkamas priedas) galima sumontuoti bet kurioje pusėje – tai patogi ruošinių horizontalaus laikymo priemonė.

Dėkite juos įrankio šone, tuomet tvirtai fiksukite varžtais.

► **Pav.41:** 1. Laikiklis 2. Laikiklio įtaisas

Pjudami ilgus ruošinius, naudokite laikiklio-strypo įtaisą (pasirenkamas priedas). Jis sudarytas iš dviejų laikiklio įtaisų ir dviejų strypų 12.

► **Pav.42:** 1. Laikiklio įtaisas 2. Strypas 12

NAUDOJIMAS

▲JSPĖJIMAS: Prieš įjungdami įrankį, įsitinkite, ar diskas neliečia ruošinio ir pan. Įjungus įrankį, kai jo diskas liečia ruošinį, gali įvykti atatranka ir galima sunkiai susižeisti.

▲JSPĖJIMAS: Pabaigę pjauti, neatkelkite pjovimo disko tol, kol jis visiškai nesustos. Atkėlus besisukantį diską, galima sunkiai susižeisti ir sugadinti ruošinį.

▲JSPĖJIMAS: Kol pjovimo diskas sukasi, nelieskite spaustuvo varžtų, tvirtinančių slankiojamus strypus. Antraip įrankis gali tapti nebevaldomas ir sužaloti.

PASTABA: Prieš pradėdami naudoti įrankį, būtinai atleiskite rankenėlę iš žemiausios padėties, ištraukdami fiksavimo smaigą.

PASTABA: Pjudami per daug nespauskite rankenėles. Per didelė jėga gali sukelti variklio perkrovą ir (arba) sumažinti pjovimo efektyvumą. Spauskite rankenėlę žemyn tik tokia jėga, kokios reikia sklandžiai pjauti, ir smarkiai nedidinkite disko sukimosi greičio.

PASTABA: Norėdami atlikti pjūvį, atsargiai nuspauskite rankenėlę žemyn. Jeigu nuspausite rankenėlę jėga arba naudosite šoninę jėgą, diskas pradės vibruoti ir paliks ant ruošinio žymes (pjovimo žymes), todėl pjūvio tikslumas bus prastas.

PASTABA: Slenkamo pjūvio metu atsargiai nesustodami stumkite suportą kreiptuvo link. Jeigu pjovimo metu suportas sustabdomas, ant ruošinio gali likti žymė ir pjūvio tikslumas bus prastas.

Pjovimas naudojant spaudimą (mažų ruošinių pjovimas)

▲JSPĖJIMAS: Sukdami juos pagal laikrodžio rodyklę, tvirtai priveržkite du tvirtinimo varžtus, laikančius slankiojamus strypus, kad dirbant nepajudėtų suportas. Netinkamai priveržus fiksavimo varžtą, gali įvykti atatranka, kuri gali sąlygoti sunkų sužeidimą.

► Pav.43

52 aukščio ir 97 mm pločio ruošinius galima pjauti tokiu būdu.

1. Iki galo stumkite suportą kreiptuvo link ir užveržkite du varžtus, laikančius slankiojamus strypus, sukdami pagal laikrodžio rodyklę.
2. Suspauskite ruošinį tinkamos rūšies spaustuvais.
3. Įjunkite įrankį (pjovimo diskas neturi liesti ruošinio) ir, prieš nuleisdami diską, palaukite, kol jis pradės sukstis visu greičiu.
4. Po to atsargiai iki galo žemyn nuleiskite rankenėlę ir pradėkite pjauti ruošinį.
5. Baigę pjauti, išjunkite įrankį ir, prieš gražindami diską į viršutinę padėtį, **palaukite, kol jis visiškai nustos sukstis.**

Pjovimas slenkant (stumiant) ruošinį (plačių ruošinių pjovimas)

▲JSPĖJIMAS: Atliekdami pjovimą slenkant, pirmiausia iki galo patraukite suportą savęs link ir nuspauskite rankenėlę į žemiausią padėtį, po to stumkite suportą kreiptuvo link. Niekada nepradėkite pjauti iki galo nepatraukę suportą savęs link. Jeigu pradėsite pjauti iki galo nepatraukę suportą savęs link, gali įvykti atatranka, kuri gali sąlygoti sunkų sužeidimą.

▲JSPĖJIMAS: Niekada nebandykite atlikti pjūvį slinkdami, traukdami suportą savęs link. Pjovimo metu traukiant suportą savęs link, gali netikėtai įvykti atatranka, kuri gali sąlygoti sunkų sužeidimą.

▲JSPĖJIMAS: Niekada nepjaukite slinkdami, jeigu rankenėlė užfiksuoja žemiausioje padėtyje.

▲JSPĖJIMAS: Niekada neatlaisvinkite rankenėlės, tvirtinančios suportą, kai diskas sukasi. Pjovimo metu atlaisvintas suportas gali sukelti netikėtą atatranką, kuri gali sąlygoti sunkų sužeidimą.

► Pav.44

1. Atlaisvinkite du varžtus, laikančius slankiojamus strypus, sukdami prieš laikrodžio rodyklę, kad suportą galima būtų lengvai slinkti.
2. Suspauskite ruošinį tinkamos rūšies spaustuvais.
3. Iki galo savęs link patraukite suportą.
4. Įjunkite įrankį (pjovimo diskas neturi liesti ruošinio) ir palaukite, kol jis pradės sukstis visu greičiu.
5. Nuspauskite rankenėlę ir **stumkite suportą kreiptuvo link ir pjaukite ruošinį.**
6. Baigę pjauti, išjunkite įrankį ir, prieš gražindami diską į viršutinę padėtį, **palaukite, kol jis visiškai nustos sukstis.**

Įžambus pjovimas

Žr. anksčiau aprašytą skyrių „Įžambaus kampo nustatymas“.

Įstrižasis pjovimas

▲JSPĖJIMAS: Nustatę diską įstrižam pjūviui, prieš pradėdami naudoti įrankį, visada patikrinkite, ar suportas ir pjovimo diskas nevaržomai juda visose pjūvio ribose. Jeigu pjovimo metu suportas arba disko judėjimas bus sutrikdytas, gali įvykti atatranka, galinti sukelti sunkų sužalojimą.

▲JSPĖJIMAS: Atliekdami įstrižuosius pjūvius, laikykite rankas atokiai nuo disko judėjimo kelio. Diskas gali judėti kitokia nei įprasta kampu ir supainioti operatorių, o prisilietus prie pjovimo disko, galima sunkiai susižeisti.

▲JSPĖJIMAS: Pjovimo disko negalima atkelti tol, kol jis visiškai nesustos. Atliekant įstrižą pjūvį, nupjautoji ruošinio dalis gali atsiremti į diską. Jeigu diskas pakeliamas, kai dar sukasi, jis gali sviesti nupjautą dalį ir suskaldyti medžiagą į atplaišas, kurios gali sunkiai sužeisti.

▲PERSPĖJIMAS: (Tik įrankiams su papildomu užtvartu) **Atlikdami kairinius įstrižuosius pjūvius, papildomą užtvartą visada nustatykite į išorę.**

► Pav.45

1. Norėdami nustatyti įstrižą kampą, atlaisvinkite svirtelę ir pakreipkite pjovimo diską (žr. anksčiau aprašytą skyrių „Įstrižo kampo nustatymas“). Patikrinkite, ar nustatę pasirinktą įstrižą kampą, tvirtai užveržėte svirtelę.
2. Suspauskite ruošinį spaustuvais.
3. Iki galo savęs link patraukite suportą.
4. Įjunkite įrankį (pjovimo diskas neturi liesti ruošinio) ir palaukite, kol jis pradės sukstis visu greičiu.
5. Atsargiai nuleiskite rankenėlę į žemiausią padėtį, tuo pačiu metu lygiagrečiai spausdami pjovimo diską ir **norėdami pradėti pjauti ruošinį, stumkite suportą kreiptuvo link.**
6. Baigę pjauti, išjunkite įrankį ir, prieš gražindami diską į viršutinę padėtį, **palaukite, kol jis visiškai nustos sukstis.**

PASTABA: Nuspausdami rankenėlę žemyn, kartu spauskite ir pjovimo diską. Jeigu jėga naudojama statmenai sukiojamam pagrindui arba jeigu spaudimo kryptis pjovimo metu pasikeičia, pjūvis bus netikslus.

Kombinuotasis pjovimas

Kombinuotasis pjovimas – tai procesas, kai ruošinys tuo pačiu metu pjaunamas įstrižai ir įžambiu kampais. Kombinuotąjį pjovimą galima atlikti lentelėje nurodytais kampais.

Nuožulnis kampas	Įstrižasis kampas
Kairėje ir dešinėje 45°	Kairėje 0 - 45°
Dešinėje 50°	Kairėje 0 - 40°
Dešinėje 55°	Kairėje 0 - 30°
Dešinėje 57°	Kairėje 0 - 25°

Atlikdami kombinuotąjį pjūvimą, žr. paaiškinimus skyriuose „Pjovimas naudojant spaudimą“, „Pjovimas senkant“, „Įžambus pjovimas“ ir „Įstrižasis pjovimas“.

Dekoratyviųjų ir skliautinių karnizų pjovimas

Dekoratyvinius ir skliautinius lubų karnizus galima išpjauti kombinuotu skersavimu ir kampų suleidimo pjūklų, padėjus karnizus ant sukiojamo pagrindo. Paprastai naudojami dviejų tipų dekoratyviniai karnizai ir vieno tipo skliautiniai karnizai: 52/38° kampų tarp sienos ir lubų dekoratyviniai karnizai, 45° kampo tarp sienos ir lubų karnizai bei 45° kampo tarp sienos ir lubų skliautiniai karnizai.

► **Pav.46:** 1. 52/38° tipo dekoratyviniai karnizai 2. 45° tipo dekoratyviniai karnizai 3. 45° tipo skliautiniai karnizai

Gali būti naudojamos dekoratyviųjų ir skliautinių karnizų jungtys, kurios pagamintos taip, kad tilptų „vidiniuose“ 90° kampuose ((a) ir (b) paveikslėliuose) ir „išoriniuose“ 90° kampuose ((c) ir (d) paveikslėliuose).

► **Pav.47:** 1. Vidinis kampas 2. Išorinis kampas

► **Pav.48:** 1. Vidinis kampas 2. Išorinis kampas

Matavimai

Išmatuokite sienelės plotį, tuomet pagal jį pakoreguokite ruošinio plotį. Visada įsitikinkite, ar ruošinio sienelės sąlyčio krašto plotis sutampa su sienelės ilgiu.

► **Pav.49:** 1. Ruošiny 2. Sienelės plotis 3. Ruošinio plotis 4. Sienelės sąlyčio kraštas

Pradžioje visuomet atlikite kelis bandomuosius pjūvius ant atliekamų ruošinių, kad nustatytumėte pjūvimo kampus.

Pjaudami dekoratyvinius ir skliautinius lubų karnizus, nustatykite įstrižus ir nuožambius kampus, kaip nurodyta lentelėje (A), ir dėkite karnizus ant pjūklo pagrindo, kaip nurodyta lentelėje (B).

Kairysis įstrižas pjūvis

► **Pav.50:** 1. Vidinis kampas 2. Išorinis kampas

Lentelė (A)

–	Karnizo padėtis paveikslėlyje	Įstrižasis kampas		Nuožulnis kampas	
		52/38° tipas	45° tipas	52/38° tipas	45° tipas
Vidiniam kampui	(a)	Kairėje 33,9°	Kairėje 30°	Dešinėje 31,6°	Dešinėje 35,3°
	(b)			Kairėje 31,6°	Kairėje 35,3°
Išoriniam kampui	(c)	Dešinėje 31,6°	Dešinėje 35,3°	Dešinėje 31,6°	Dešinėje 35,3°
	(d)			Dešinėje 31,6°	Dešinėje 35,3°

Lentelė (B)

–	Karnizo padėtis paveikslėlyje	Karnizo kampas pagal kreiptuvo aptvarą	Užbaigta dalis
Vidiniam kampui	(a)	Lubų sąlyčio kraštas turėtų būti priešais kreiptuvo aptvarą.	Užbaigta dalis bus kairėje disko pusėje.
	(b)	Sienos sąlyčio kraštas turėtų būti priešais kreiptuvo aptvarą.	
Išoriniam kampui	(c)	Lubų sąlyčio kraštas turėtų būti priešais kreiptuvo aptvarą.	Užbaigta dalis bus dešinėje disko pusėje.
	(d)	Lubų sąlyčio kraštas turėtų būti priešais kreiptuvo aptvarą.	

Pavyzdys:

Atlikdami 52/38° tipo dekoratyvinio karnizo pjūvį pagal padėtį (a) paveikslėlyje, pateiktame pirmiau:

- Pakreipkite ir užtvirtinkite įstrižo kampo nustatymą ties 33,9° KAIRIUOJU kampu.
- Nustatykite ir užtvirtinkite nuožambaus kampo nustatymą ties 31,6° DEŠINIUOJU kampu.
- Dėkite dekoratyvinį karnizą jo lentos galinė pusės (paslėptu) paviršiumi ant sukiojamo pagrindo, jo LUBAS LIEČIANTĮ KRAŠTĄ atrėmę į pjūklą kreiptuvą.
- Atlikus pjūvį, užbaigta naudojama dalis visuomet bus KAIRĖJE disko pusėje.

Forminių aliuminio ruošinių pjovimas

► **Pav.51:** 1. Spaustuvas 2. Skėtiklis 3. Kreipiamasis aptvaras 4. Aliuminio ruošinys 5. Skėtiklis

Forminiams aliuminio ruošiniams prtvirtinti naudokite atramines trinkeles arba metalo gabalėlius, kaip parodyta piešinyje, kad aliuminius nesideformuotų. Pjaudami forminius aliuminio ruošinius, naudokite pjūvimo tepalą, kad prie disko nepriliptų aliuminio dalelių.

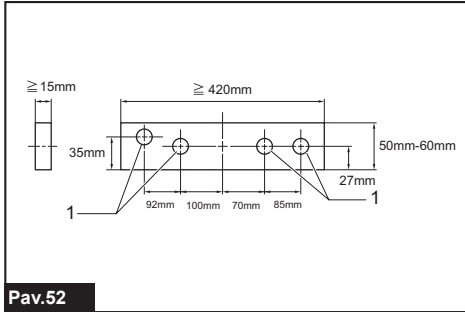
▲ PERSPĖJIMAS: Niekada nebandykite pjauti storų arba apvalių aliuminio profilių. Darbo metu stori forminiai aliuminio ruošiniai gali išsprūsti, o apvalių aliuminio dirbinių prie šio įrankio negalima tvirtai prtvirtinti.

Medžio apsauga

▲ ĮSPĖJIMAS: Medžio apsaugą prie kreiptuvo prisukite varžtais. Varžtai turi būti įsukti taip, kad jų galvutės nekyšotų iš medžio apsaugos ir netrukdytų padėti ruošinį, kuris bus pjaunamas. Pjovimo metu pjaunamam ruošiniui netikėtai pasislinkus, galima netekti kontrolės ir sunkiai susižeisti.

▲ PERSPĖJIMAS: Vietoj medžio apsaugos panaudokite tiesią, vienodo storio medžio juostelę.

Naudojant medžio apsaugą, ruošiniai pjaunami be nuolaužų. Pritvirtinkite medžio apsaugą prie kreiptuvo, įkišdami ją į kreiptuvo skylės. Piešinyje pavaizduoti rekomenduojami medžio apsaugų dydžiai.



Pav.52

► **Pav.52:** 1. Angos

PASTABA: Pritvirtinę apsaugą, nesukite sukiojamo pagrindo, kai rankenėlė nuleista. Sugadinsite pjovimo diską ir (arba) medžio apsaugą.

Kartojamasis ruošinių pjovimas

Jei pjaunate keletą vienodo ilgio ruošinių, kurių ilgis 220 - 385 mm, darbas bus našesnis, jei naudosite nustatomą plokštelę (papildomas priedas). Pritvirtinkite nustatomą plokštelę ant laikiklio (papildomas priedas), kaip parodyta iliustracijoje.

► **Pav.53:** 1. Nustatymo plokštelė 2. Laikiklis 3. Varžtas

Sulygiuokite ant ruošinio pažymėtą pjovimo liniją su prapjovos plokštelėje esančiu grioveliu iš kairės arba dešinės pusės ir, laikydami ruošinį, pristumkite nustatomą plokštelę prie ruošinio galo. Po to varžtu priveržkite nustatomą plokštelę. Kai nustatomos plokštelės nenaudojate, atsukite varžtą ir patraukite ją, kad nemaišytų.

PASTABA: Naudojant laikiklio matuoklio agregatą (papildomas priedas), galima pjauti vienodo, maždaug 2 200 mm ilgio ruošinius.

Griovelio išpjovimas

ĮSPĖJIMAS: Nebandykite atlikti šio tipo pjūvių, naudodami platesnius arba frezavimo diskus. Bandant išpjauti griovelį platesniu disku arba frezavimo disku, gali įvykti netikėta atatranka, kuri gali sąlygoti sunkų sužeidimą.

ĮSPĖJIMAS: Atlikdami kitus nei griovelių išpjovimo pjūvius, būtinai sugrąžinkite fiksavimo svirtį į pradinę padėtį. Bandant atlikti pjūvius, kai fiksavimo svirtis yra netinkamoje padėtyje, pjūviai gali būti netiksūs ir gali įvykti netikėta atatranka, sąlygojanti sunkų sužeidimą.

Atlikdami panelio tipą, elkites taip:

1. reguliavimo varžtų ir fiksavimo rankenėlė nustatykite apatinę pjovimo disko ribą, kad apribotumėte disko pjovimo gylį. Žr. anksčiau aprašytą skyrių „Fiksavimo rankenėlė“;

2. nustatę apatinę ribinę disko padėtį, slinkdami (stumdami) pjaukite lygiagrečius griovelius skersai per visą ruošinio plotį.

► **Pav.54:** 1. Griovelių pjovimas disku

3. Kaltuku išvalykite grioveliuose likusią medieną.

Įrankio nešimas

ĮSPĖJIMAS: Fiksavimo smaigas skirtas tik nešimo ir saugojimo tikslams; jo negalima naudoti jokiems pjovimo darbams. Naudojant fiksavimo smaigą pjovimo darbams, pjovimo diskas gali netikėtai pajudėti, sukelti atatranką ir sunkiai sužeisti.

PERSPĖJIMAS: Prieš nešdami įrankį, būtinai užtvirtinkite visas judančias dalis. Jeigu nešant įrankį kuri nors jo dalis pajudės arba paslinks, galima netekti kontrolės arba pusiausvyros ir susižeisti.

► **Pav.55**

1. Ištraukite akumulatoriaus kasetę.
2. Užveržkite diską 0° strižu kampu, o sukiojamą pagrindą – tinkamo nuožulnumo kampo padėtyje.
3. Užtvirtinkite slankiuosius kuoliukus taip, kad apatinis slankusis kuoliukas būtų užfiksuotas visiškai operatoriaus link paslinkto suporto padėtyje, o viršutiniai slankieji kuoliukai būtų užfiksuoti iki galo kreiptuvo link pastumto suporto padėtyje.
4. Iki galo nuleiskite rankenėlę ir užfiksuokite ją žemiausioje padėtyje, įstumdami fiksavimo smaigą.
5. Įrankį neškite laikydami už pagrindo, iš abiejų pusių. Jeigu nuimsite laikiklius, dulkių maišelį ir t.t., įrankį nešti bus lengviau.

TECHNINĖ PRIEŽIŪRA

ĮSPĖJIMAS: Siekdami geriausių rezultatų ir saugiausio darbo, visuomet įsitinkinkite, ar diskas yra aštrus ir švarus. Bandant pjauti atbukusiu ir (arba) nešvarių disku, gali įvykti atatranka, sąlygojanti sunkų sužeidimą.

PERSPĖJIMAS: Visuomet įsitinkinkite, ar įrankis yra išjungtas ir akumulatoriaus kasetė yra nuimta prieš atlikdami apžiūrą ir priežiūrą.

PASTABA: Niekada nenaudokite gazolino, benzino, tirpiklio, spirito arba panašių medžiagų. Gali atsirasti išblukimų, deformacijų arba įtrūkimų.

Pjovimo kampo nustatymas

Šis įrankis gamykloje buvo kruopščiai nustatytas ir sulygiuotas, tačiau jo neprižiūrint, sulygiavimas gali išsireguliuoti. Jeigu įrankis sulygiuotas netinkamai, atlikite tokius veiksmus:

Nuožulnus kampas

1. Iki galo pristumkite suportą prie kreiptuvo ir dviem suveržimo varžtais užtvirtinkite suportą.
2. Sukite sukiojamą pagrindą tol, kol rodyklė kampinėje skalėje parodys 0°.
3. Tuptų pasukiokite sukiojamą pagrindą pagal laikrodžio rodyklę ir prie šį ją, kad jis įsitaisyty 0° kampo nuožulnumo išpjovoje. (Jeigu rodyklė nerodo 0° kampo, palikite taip, kaip yra).
4. Šešiakampių veržliarakčių atlaisvinkite šešiakampių lizdinių galvučių varžtus, laikančius kreiptuvą.
► **Pav.56:** 1. Kreipiama aptvaras 2. Šešiakampių lizdinių galvučių varžtas
5. Iki galo nuleiskite rankenėlę ir užfiksukite ją žemiausioje padėtyje, įstumdami fiksavimo smaigą.
6. Trikampe liniuote, kampainiu ir pan. reguliuokite kreiptuvo aptvarą, kol tarp jo ir disko atsidarys status kampas. Po to tvirtai užveržkite kreiptuvo aptvaro šešiakampius lizdinius varžtus, pradėdami nuo dešiniojo.
► **Pav.57:** 1. Trikampė liniuotė
7. Patikrinkite, ar rodyklė ant kampinės skalės rodo 0° kampą. Jeigu rodyklė nerodo 0° kampo, atsukite varžtą, kuris laiko rodyklę, ir pareguliuokite ją, kad ji rodytų 0° kampą.
► **Pav.58:** 1. Varžtas 2. Įstrižo kampo skalė 3. Rodyklė

Įstrižasis kampas

0° įstrižumo kampas

- **Pav.59:** 1. Svirtis 2. Rankenos laikiklis 3. 0° įstrižo kampo reguliavimo varžtas 4. Rankena 5. Atleidimo mygtukas
1. Iki galo pristumkite suportą prie kreiptuvo ir dviem suveržimo varžtais užtvirtinkite suportą.
 2. Iki galo nuleiskite rankenėlę ir užfiksukite ją žemiausioje padėtyje, įstumdami fiksavimo smaigą.
 3. Atlaisvinkite įrankio gale esančią svirtelę.
 4. Norėdami pakreipti pjovimo diską į dešinę, du ar tris apsisukimus pasukite 0° įstrižumo kampo reguliavimo (apatinį) varžtą į dešinę, sukdami prieš laikrodžio rodyklę.
 5. Sukite 0° įstrižo kampo reguliavimo varžtą pagal laikrodžio rodyklę, kol disko šonas su sukiojamo pagrindo viršutiniu paviršiumi sudarys statų kampą. Kaip orientyrą naudokite trikampę liniuotę, kampainį ir pan. Po to tvirtai užveržkite svirtelę.
► **Pav.60:** 1. Trikampė liniuotė 2. Pjovimo diskas 3. Sukiojamo pagrindo viršutinis paviršius
 6. Patikrinkite, ar ant rankenėlės esanti rodyklė rodo 0° kampą įstrižumo skalėje. Jeigu ji nerodo 0° kampo, atsukite varžtą, kuris laiko rodyklę, ir pareguliuokite ją, kad ji rodytų 0° kampą.
► **Pav.61:** 1. Įstrižų kampų skalė 2. Rodyklė 3. Varžtas

45° įstrižumo kampas

- **Pav.62:** 1. 45° įstrižo kampo reguliavimo varžtas
- Nustatykite 45° įstrižą kampą tik po to, kai nustatysite 0° įstrižą kampą.

1. Atlaisvinkite svirtelę ir iki galo kairėn pakreipkite diską.
2. Patikrinkite, ar ant rankenėlės esanti rodyklė rodo 45° kampą įstrižumo skalėje. Jeigu rodyklė nerodo 45° kampo, sukite rankenėlės dešinėje esantį šio kampo reguliavimo varžtą (viršutinį varžtą), kol rodyklė rodytų 45° kampą.

Po naudojimo

Pabaigę darbą, skudurėliu nuvalykite prie įrankio priilpusias atplaišas ir dulkes. Atitinkamai pagal anksčiau skyriuje „Pjovimo disko apsauga“ išdėstytus nurodymus, pjovimo disko apsauga turi būti laikoma švariai. Judamas dalis patepkite mašinine alyva, kad jos nerūdytų.

Palikus šį įrankį saugoti, iki galo savęs link patraukite suportą, kad slankiojamas strypas būtų visiškai įkištas į sukiojamą pagrindą.

Kad gaminys būtų SAUGUS ir PATIKIMAS, jį taisyti, apžiūrėti ar vykdyti bet kokią kitą priežiūrą ar derinimą turi įgaliojasis kompanijos „Makita“ techninės priežiūros centras; reikia naudoti tik kompanijos „Makita“ pagamintas atsargines dalis.

PASIRENKAMI PRIEDAI

⚠️ JSPĖJIMAS: Su šiame vartotojo vadove nurodytu „Makita“ įrankiu rekomenduojama naudoti šiuos „Makita“ įtaisus ir priedus. Naudojant bet kokius kitus įtaisus ir priedus, galima sunkiai susižeisti.

⚠️ JSPĖJIMAS: „Makita“ įtaisą arba priedą naudokite tik pagal jo numatytąją paskirtį. Naudojant įtaisą arba priedą ne pagal jo numatytąją paskirtį, galima sunkiai susižeisti.

Jeigu norite daugiau sužinoti apie tuos priedus, kreipkitės į artimiausią „Makita“ techninės priežiūros centrą.

- Diskai su karbido galais
- Spaustuvų komplektas (horizontalus spaustuvas)
- Vertikalus spaustuvas
- Laikiklio įtaisas
- Laikiklio strypo agregatas
- Nustatymo plokštelė
- Dulkių surinkimo maišelis
- Trikampė liniuotė
- Šešiakampis veržliarakstis
- Originalus „Makita“ akumulatorius ir įkroviklis

PASTABA: Kai kurie sąrašė esantys priedai gali būti pateikti įrankio pakuotėje kaip standartiniai priedai. Jie įvairiose šalyse gali skirtis.

TEHNILISED ANDMED

Mudel:	DLS714	
Tera läbimõõt	190 mm	
Terakorpuse paksus	1,3 mm - 2,0 mm	
Ava (võlli) läbimõõt (rigispetsiifiline)	20 mm või 15,88 mm	
Max eeringinurk	Vasakule 47°, paremale 57°	
Max kaldenurk	Vasakule 45°, paremale 5°	
Koormuseta kiirus	5 700 p/min ⁻¹	
Mõõtmed (P x L x K)	655 mm x 430 mm x 445 mm	
Nimipinge	Alalisvool 36 V	
Akukassett	BL1815N, BL1820, BL1820B	BL1830, BL1830B, BL1840, BL1840B, BL1850, BL1850B, BL1860B
Netokaal	13,0 kg	13,5 kg

Saagimisvõimsus (K x L) 190 mm läbimõõduga teraga

Eeringinurk	Fassettnurk		
	45° (vasakule)	0°	5° (paremale)
0°	40 mm x 300 mm	52 mm x 300 mm	40 mm x 300 mm
	45 mm x 265 mm (1. MÄRKUS)	60 mm x 265 mm (1. MÄRKUS)	–
45° (vasakule ja paremale)	40 mm x 212 mm	52 mm x 212 mm	–
	45 mm x 185 mm (2. MÄRKUS)	60 mm x 185 mm (2. MÄRKUS)	–
57° (paremale)	–	52 mm x 163 mm	–
	–	60 mm x 145 mm (3. MÄRKUS)	–

1. Max saagimisjõudlus, kasutades 20 mm paksusega puitäärist
 2. Max saagimisjõudlus, kasutades 15 mm paksusega puitäärist
 3. Max saagimisjõudlus, kasutades 10 mm paksusega puitäärist
- Meie pideva uuringu- ja arendusprogrammi tõttu võidakse tehnilisi andmeid muuta ilma sellest ette teatamata.
 - Tehnilised andmed ja akukassett võivad riigiti erineda.
 - Kaal koos akukassetiga, EPTA-protseduuri 01/2003 kohaselt

Sümbolid

Alljärgnevalt kirjeldatakse seadmetel kasutatavaid tingimärke. Veenduge, et olete nende tähendusest aru saanud enne seadme kasutamist.



Lugege juhendit.



Vältimaks õhku paiskuvast prahist põhjustatud kehavigastust, jätkake pärast lõikamist saepea all hoidmist, kuni lõiketera on täielikult seiskunud.



Kui lõikate kelkmehhanismi abil, tõmmake esmalt kelk täielikult välja ja vajutage käepide alla, seejärel tõugake kelku juhtpiirde suunas.



Ärge asetage kätt ega sõrmi lõiketera lähedusse.



Vasakkaldega fassetilõikamisel seadke ALLTÖKIS alati vasakpoolesele asendisse. Selle nõude eiramine võib põhjustada operaatorile tõsise kehavigastuse.



Cd
Ni-MH
Li-ion

Ainult EL-i riikide puhul
Ärge visake elektriseadmeid ja akusid ära koos majapidamisjätmetega!
Vastavalt Euroopa Parlamendi ja Nõukogu direktiividele elektri- ja elektroonikaseadmete jätmete kohta ning patareide ja akude ning patareid- ja akujätmete kohta ning nende nõuete kohaldamisele liikmesriikides tuleb kasutuskoõlmatuks muutunud elektriseadmed ja akud koguda eraldi ning keskkonnasäästlikult korduv kasutada või ringlusse võtta.

Kavandatud kasutus

Tööriist on ette nähtud puidu täpseks sirgjooneliseks lõikamiseks ja faasimiseks.

Kasutage saagi ainult puidu, alumiiniumi või teiste sarnaste materjalide lõikamiseks.

Müra

Tüüpline A-korrigeeritud müratase, määratud standardi EN61029 kohaselt:

Helirõhutase (L_{pA}): 88 dB (A)

Helivõimsuse tase (L_{WA}): 97 dB (A)

Määramatus (K): 3 dB (A)

⚠️HOIATUS: Kasutage kõrvakaitsmeid.

Vibratsioon

Vibratsiooni koguväärtus (kolmeteljeliste vektorite summa) määratud standardi EN61029 kohaselt:

Vibratsiooniindeksi (a_{hv}): 2,5 m/s² või vähem

Määramatus (K): 1,5 m/s²

MÄRKUS: Deklareeritud vibratsiooniindeksi väärtus on mõeldud kooskõlas standardse testimismeetodiga ning seda võib kasutada ühe seadme võrdlemiseks teisega.

MÄRKUS: Deklareeritud vibratsiooniindeksi väärtust võib kasutada ka mürataseme esmaseks hindamiseks.

⚠️HOIATUS: Vibratsioonitase võib elektritööriista tegelikuses kasutamise ajal erineda deklareeritud väärtusest olenevalt tööriista kasutamise viisidest.

⚠️HOIATUS: Rakendage operaatori kaitsmiseks kindlasti piisavaid ohutusabinõusid, mis põhinevad hinnangulisel müratasemel tegelikus töösituatsioonis (võttes arvesse tööperioodi kõiki osasid, nagu näiteks korrad, kui seade lülitatakse välja ja seade töötab tühikäigul, lisaks tööajale).

EÜ vastavusdeklaratsioon

Ainult Euroopa riikide puhul

Makita deklareerib, et alljärgnev(ad) masin(ad):

Masina nimetus: Juhtmeta liuglõike eeringisaag

Mudeli nr/tüüp: DLS714

Vastavad alljärgnevatele Euroopa Parlamendi ja

Nõukogu direktiividele: 2006/42/EC

Need on toodetud järgmistest standardite või standardiseeritud dokumentide kohaselt: EN61029

Tehniline fail, mis on kooskõlas direktiiviga 2006/42/EC, on saadaval ettevõttes:

Makita, Jan-Baptist Vinkstraat 2, 3070, Belgia

16.1.2015

Yasushi Fukaya

Direktor

Makita, Jan-Baptist Vinkstraat 2, 3070 Belgia

Üldised elektritööriistade ohutusohiatused

⚠️HOIATUS: Lugege läbi kõik ohutusohiatused ja juhtnõidid. Ohiatuste ja juhtnõitude mittejärgmine võib põhjustada elektrišokki, tulekahju ja/või tõsiseid vigastusi.

Hoidke edaspidisteks viide- teks alles kõik ohiatused ja juhtnõidid.

Ohiatustes kasutatud termini „elektritööriist“ all peetakse silmas elektriga töötavaid (juhtmega) elektritööriistu või akuga töötavaid (juhtmeta) elektritööriistu.

Juhtmeta eeringisaag ohutusohiatused

1. Hoidke käed väljaspool saetera liikumistrajektoori. Vältige kokkupuudet mis tahes vabakäigul liikuva lõiketeraga. See võib põhjustada tõsise kehavigastuse.
2. Enne kasutamist kontrollige hoolikalt saetera pragude või deformatsioonide esinemise suhtes.
3. Asendage kahjustatud terad kohe.
4. Asendage sisselõiget korrigeeriv plaat, kui see on kulunud.
4. Kasutage ainult tootja kindlaks määratud saeterasid, mis vastavad standardile EN847-1.
5. Ärge kasutage kiirlõiketerasest valmistatud saeterasid.
6. Kasutage silmakaitsmeid.
7. Kandke kuulmiskaitsmeid, et vähendada kuulmiskaotuse ohtu.
8. Kandke saelehe ja koredade/pinnuliste materjalide käsitsemisel kindaid (saelehti tuleb võimalusel korral kanda alati vastavas hooldikus).
9. Ühendage nurgasaad saagimisel tolmukogumisseadmega.
10. Valige saeterad vastavalt lõigatavale materjalile.
11. Enne tööriista kandmist fikseerige kõik liikuvad osad. Tööriista töstmisel või kandmisel ärge kasutage terakaitset kandekäepidemena.
12. Ärge töötage saega, mille piirded ei ole omal kohal. Enne igakordset kasutamist kontrollige terapiirde õiget sulgemist. Ärge töötage saega, kui terapiire ei liigu vabalt ega sulgu kohe. Ärge kunagi kinnitage terapiiret klambriga ega siduge seda avatud asendisse.
13. Hoidke põrand lahtisest materjalist puhas, nt laastudest ja maha lõigatud tükkidest.
14. Kasutage ainult selliseid saeteri, millele märgitud maksimaalne kiirus on võrdne tööriistale märgitud koormusega kiirusega või sellest suurem.
15. Kui tööriist on varustatud laseri või LED-iga, siis ärge asendage neid teist tüüpi laseri või LED-iga. Laske parandustööd teha volitatud teeninduskeskuses.
16. Ärge eemaldage maha lõigatud tükke ega teisi töödeldava detaili osi lõikamispiirkonnast sel ajal, kui tööriist töötab kaitsekatteta saeteraga.
17. Ärge tehke ühtegi toimingut ainult käte abil. Töödeldav detail peab kõikide töötappide käigus olema kinnitusrakise abil tugevasti eeringuplaadi ja juhtpiirde külge kinnitatud. Ärge kunagi kasutage töödeldava detaili kinnihoidmiseks käsi.
18. Enne igat lõiget veenduge, et tööriist oleks stabiilne.

19. Vajaduse korral kinnitage tööriist tööpingi külge.
20. Toestage pikki töödeldavaid detaile sobivate lisatüvedega.
21. Ärge kunagi lõigake nii väikest töödeldavat detaili, mida ei saa rakisega kindlalt kinni hoida. Valesi hoitud töödeldav detail võib põhjustada tagasilöögi ja raske kehavigastuse.
22. Ärge kunagi sirutage kätt ümber saetera.
23. Enne töödeldava detaili liigutamist või seadete muutmist lülitage tööriist välja ja oodake, kuni saetera seiskub.
24. Enne tera vahetamist või hooldamist eemaldage elektritööriistad vooluvõrgust ja/või aku küljest.
25. Lukustustihvt, mis lukustab lõikepea, on ette nähtud ainult kandmiseks ja hoiustamiseks ning ei ole mõeldud lõiketoiimingute ajal kasutamiseks.
26. Ärge kasutage tööriista tuleohtlike vedelike või gaaside läheduses. Voolu all oleva masina kasutamine võib kergesti süttivate vedelike ja gaaside juuresolekul põhjustada plahvatuse või tulekahju.
27. Kasutage ainult äärikuid, mis on mõeldud kasutamiseks koos selle tööriistaga.
28. Olge ettevaatlik, et mitte kahjustada võlli, äärikuid (eriti paigalduspinda) ega polti. Nende osade kahjustused võivad põhjustada ketta purunemise.
29. Veenduge, et pöördalus oleks õigesti kinnitatud, nii et see töötamise ajal ei liiguks.
30. Ohutuse tagamiseks eemaldage laualt enne toimingute tegemist laastud, väikesed tükiid jne.
31. Vältige naeltesse sisselõikamist. Enne toimingute tegemist kontrollige töödeldavat detaili ja eemaldage sellest kõik naelad.
32. Enne lüliti sissevajutamist veenduge, et võllilukk oleks vabastatud.
33. Veenduge, et lõiketera ei puudutaks oma kõige madalimas asendis pöördalust.
34. Hoidke kindlalt käepidemest. Pange tähele, et käivitamisel ja seiskamisel liigub saag veidi üles või alla.
35. Veenduge, et lihvketas ei puutuks enne tööriista sisselülitamist vastu töödeldavat detaili.
36. Enne tööriista kasutamist tegelikus töökeskkonnas laske sellel mõni aeg koormuseta töötada. Olge tähelepanelik vibratsiooni või vibamise suhtes, mis võib tähendada väärt paigaldust või halvasti tasakaalustatud lõiketera.
37. Enne lõikamist oodake, kuni lõiketera saavutab täiskiiiruse.
38. Kui märkate midagi ebaharilikku, peatage töö viivitamatult.
39. Ärge püüdke lukustada päästikut sisselülitatud asendis.
40. Olge alati valvas, eriti korduvate ja monotoonsete toimingute tegemisel. Ärge laske end petta näilisest turvatundest. Lõiketerad on äärmiselt halastamatud.
41. Kasutage alati selles kasutusjuhendis soovitatud tarvikuid. Sobimatute tarvikute, nagu sobimatute abrasiivketaste, kasutamine võib põhjustada kehavigastuse.
42. Olge soonte lõikamisel ettevaatlik.
43. Töö käigus tekkinud tolm võib sisaldada kemikaale, mida tekitavad vähki, sünnidefekte või muid soo jätkamisega seotud kahjustusi. Mõni näide selliste kemikaalide kohta on:
 - plii pliipõhise värviga kaetud materjalist ja
 - arseen ning kroom keemiliselt töödeldud saematerjalist.
 Sellistest kokkupuudetest teile tekkida võib oht on erinev ja sõltub sellest, kui sageli te selle laadi tööde teete. Nimetatud kemikaalidega kokkupuute vähendamiseks töötage hea õhuvahetusega kohas ja kasutage heakskiidetud kaitsevahendeid, näiteks spetsiaalselt mikroosakeste filtreerimiseks mõeldud tolmuaske.
44. Müravähendamiseks veenduge alati, et lõiketera oleks terav ja puhas.
45. Operaator on saanud piisava väljaõppe masina kasutamiseks, reguleerimiseks ja talitluseks.

HOIDKE JUHEND ALLES.

⚠ HOIATUS: ÄRGE UNUSTAGE järgida toote ohutusnõudeid mugavuse või toote (korduskasutamise saavutatud) hea tundmise tõttu. VALE KASUTUS või kasutusjuhendi ohutuseeskirjade eiramine võib põhjustada tervisekahjustusi.

Akukassetiga seotud olulised ohutusjuhised

1. Enne akukasseti kasutamist lugege (1) akulaadial, (2) akul ja (3) seadmel olevad juhtnõupid ja hoiatused läbi.
2. Ärge võtke akukasseti lahti.
3. Kui tööaeg järsult lüheneb, siis lõpetage kohe kasutamine. Edasise kasutamise tulemuseks võib olla ülekuumenemine, võimalikud põletused või isegi plahvatus.
4. Kui elektrolüüti satub silma, siis loputage silma puhta veega ja pöörduge koheselt arsti poole. Selline õnnetus võib põhjustada pimedaksjäämist.
5. Ärge tekitage akukassetis lühist:
 - (1) Ärge puutuge klemme elektrijuhtidega.
 - (2) Ärge hoidke akukassetti tööriistakastis koos metallsemetega, nagu naelad, mündid jne.
 - (3) Ärge tehke akukassetti märjaks ega jätke seda vihma kätte.
 Aku lühis võib põhjustada tugevat elektrivoolu, ülekuumenemist, põletusi ning ka seadete tõsiselt kahjustada.
6. Ärge hoidke tööriista ja akukassetti kohtades, kus temperatuur võib tõusta üle 50 °C.
7. Ärge põletage akukassetti isegi siis, kui see on saanud tõsiselt vigastada või on täiesti kuluunud. Akukassett võib tules plahvatada.
8. Olge ettevaatlik, ärge laske akul maha kukkuda ja vältige lööke.
9. Ärge kasutage kahjustatud akut.
10. Sisalduvatele liitium-ioonakudele võivad kohalduda ohtlike kaupade õigusaktide nõuded.

Kaubanduslikul transportimisel, näiteks kolmanda poolte või transpordiettevõtete poolt, tuleb järgida pakendil ja siltidel toodud erinõudeid. Transportimiseks ettevalmistamisel on vajalik pidada nõu ohtliku materjali eksperdigaga. Samuti tuleb järgida võimalike riiklike regulatsioonide üksikasjalikumaid nõudeid. Katke teibiga või varjake avatud kontaktid ja pakendage aku selliselt, et see ei saaks pakendis liukuda.

11. **Järgige kasutusõhbmatus muutunud aku käitlemisel kohalikke eeskirju.**

HOIDKE JUHEND ALLES.

⚠ETTEVAATUST: Kasutage ainult Makita originaalakusid. Mitte Makita originaalakude või muudetud akude kasutamine võib põhjustada akude süttimise, kehavigastuse ja kahjustuse. Samuti muudab see kehtetuks Makita tööriista ja laadija Makita garantii.

Vihjeid aku maksimaalse kasutaja tagamise kohta

1. Laadige akukassetti enne selle täieliku tühjenemist. Kui märkate, et tööriist töötab väiksema võimsusega, peatage töö ja laadige akukassetti.
2. Ärge laadige täielikult laetud akukassetti. Ülelaadimine lühendab akude kasutusiga.
3. Laadige akukassetti toatemperatuuril 10 °C - 40 °C. Enne laadimist laske kuumenenud akukassetil maha jahtuda.
4. Kui te ei kasuta akukassetti kauem kui kuus kuud, laadige see.

OSADE KIRJELDUS

► Joon.1

1	Lahtilukustusnupp	2	Lüliti päästik	3	Terakarp	4	Reguleerimiskruvi (alumise piirasend)
5	Reguleerimispol (maksimaalne saagimisjõudlus)	6	Stopperlatt	7	Tolmukott	8	Kaldenurga skaala
9	Terakaitse	10	Vertikaalne kinnitusrakis	11	Juhtpiire	12	Hoidik
13	Lukustushoob (eerungiplaadile)	14	Käepide (eerungiplaadile)	15	Reguleerimispol (eerungiplaadile)	16	Otsamislaud
17	Osuti (eerunginurgale)	18	Eerungiplaat	-	-	-	-

► Joon.2

19	Liugvarras (ülemine)	20	Pöidlakruvi (ülemise liugvarda lukustamiseks)	21	Kuuskantvõti	22	Pitskruvi (hoidiku lukustamiseks)
23	Hoob (kaldenurga reguleerimiseks)	24	Liugvarras (alumise)	25	Pöidlakruvi (alumise liugvarda lukustamiseks)	-	-

PAIGALDAMINE

Paigaldamine lauale

⚠HOIATUS: Veenduge, et masin ei liiguks tugipinnal. Kui eerungisaag liigub saagimise ajal tugipinnal, võib see lõppeda kontrolli kaotamisega seadme üle ja tõsise vigastusega.

1. Kinnitage alus kahe poldiga tasasele ja kindlale pinnale. See aitab vältida kummuliminekut ja võimalikke vigastusi.

► Joon.3: 1. Polt

2. Keerake reguleerimispoli pari- või vastupäeva, et see puudutaks tööriista stabiilsena hoidmiseks põrandapinda.

► Joon.4: 1. Reguleerimispol

FUNKTSIONAALNE KIRJELDUS

⚠HOIATUS: Kandke alati hoolt selle eest, et tööriist oleks enne selle reguleerimist või funktsioonide kontrollimist välja lülitatud ning akukassett eemaldatud. Kui jätta tööriist välja lülitamata ja akukassett eemaldamata, võib selle tagajärjeks olla tööriista juhuslikust käivitumisest tingitud raske kehavigastus.

Akukasseti paigaldamine või eemaldamine

⚠ETTEVAATUST: Lülitage tööriist alati enne akukasseti paigaldamist või eemaldamist välja.

⚠ETTEVAATUST: Akukasseti paigaldamisel või eemaldamisel tuleb tööriista ja akukassetti kindlalt paigal hoida. Kui tööriista ja akukassetti ei hoita kindlalt paigal, võivad need käest libiseda ning kahjustada tööriista ja akukassetti või põhjustada kehavigastusi.

► **Joon.5:** 1. Punane näidik 2. Nupp 3. Akukassett

Akukasseti eemaldamiseks libistage see tööriista küljest lahti, vajutades kassetti esiküljel paiknevat nuppu alla.

Akukasseti paigaldamiseks joondage akukasseti keel korpuse soonega ja libistage kassett oma kohale. Paigaldage akuadapter alati nii kaugele, et see lukustuks klõpsatusega oma kohale. Kui näete nupu ülaosas punast osa, pole kassett täielikult lukustunud.

⚠ETTEVAATUST: Paigaldage akukassett alati täies ulatuses nii, et punast osa ei jääks näha.

Muidu võib adapter juhuslikult tööriistast välja kukkuda ning põhjustada teile või läheduses viibivatele isikutele vigastusi.

⚠ETTEVAATUST: Ärge rakendage akukasseti paigaldamisel jõudu. Kui kassett ei lähe kergesti sisse, pole see õigesti paigaldatud.

MÄRKUS: Tööriist ei tööta ainult ühe akukassetiga.

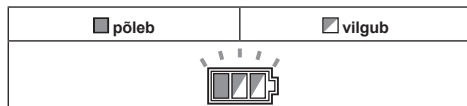
Tööriista/aku kaitsesüsteem

Tööriist on varustatud tööriista või aku kaitsesüsteemiga. Süsteem lülitab mootori automaatselt välja, et pikendada tööriista ja aku tööiga. Tööriist seiskub käitamise ajal automaatselt, kui tööriista või aku kohta kehtib üks järgmistest tingimustest.

Ülekoormuskaitse

Kui tööriista kasutamise käigus hakkab see tarbima ebaharilikult palju voolu, peatub tööriist automaatselt ilma igasuguse signaalita. Sellisel juhul lülitage tööriist välja ning lõpetage tööriista ülekoormuse põhjustanud tegevus. Pärast seda käivitage tööriist uuesti.

Ülekuumenemiskaitse



Kui tööriist on ülekuumenenud, seiskub see automaatselt ja aku indikaator vilgub umbes 60 sekundit. Sellises olukorras laske tööriistal maha jahtuda enne, kui selle uuesti sisse lülitate.

Ülelaadimiskaitse

Kui aku laetuse tase on madal, siis seiskub tööriist automaatselt. Kui seade ei hakka tööle ka lülitate kasutamisel, eemaldage tööriistast akud ja laadige neid.

Aku jääkmahutavuse näit

► **Joon.6:** 1. Akunäidik 2. Kontrollimise nupp

Aku järelejäänud mahutavuse kontrollimiseks vajutage kontrollimise nuppu. Kummalgi akul on oma akuindikaator.

Akunäidiku olek			Aku jääkmahutavus
Põleb	Ei põle	Vilgub	
			50% kuni 100%
			20% kuni 50%
			0% kuni 20%
			Laadige akut

Aku jääkmahutavuse näit

Ainult näidikuga akukassettidele

► **Joon.7:** 1. Märgulambid 2. Kontrollimise nupp



Akukasseti järelejäänud mahutavuse kontrollimiseks vajutage kontrollimise nuppu. Märgulambid süttivad mõneks sekundiks.

Märgulambid			Jääkmahutavus
Põleb	Ei põle	Vilgub	
			75 - 100%
			50 - 75%
			25 - 50%
			0 - 25%
			Laadige akut.
			Akul võib olla tõrge.

MÄRKUS: Näidatud mahutavus võib veidi erineda tegelikust mahutavusest olenevalt kasutustingimustest ja ümbritseva keskkonna temperatuurist.

Automaatne kiiruse muutmise funktsioon

► **Joon.8:** 1. Režiiminäidik

Režiiminäidiku olek	Töörežiim
	Suure kiiruse režiim
	Suure pöördemomendi režiim

Tööriistal on „suure kiiruse režiim” ja „suure pöördemomendi režiim”. Töörežiimi muudetakse automaatselt olenevalt töökoormusest. Kui režiimiindikaator hakkab käitamise ajal põlema, siis on tööriist suure pöördemomendi režiimis.

Kinnitustihvt

⚠ETTEVAATUST: Kinnitustihvti vabastamisel hoidke alati käepidemest. Muidu paiskuvad käepideme vedrud välja ja võivad põhjustada kehavigastuse.

Kinnitustihvti vabastamiseks vajutage jätkuvalt kergelt käepidemele ja tõmmake seejärel kinnitustihvt välja.

► **Joon.9:** 1. Kinnitustihvt

Terakaitse

⚠HOIATUS: Saeketta kaitset ega kaitsme külge kinnitatud vedru ei tohi kunagi kõrvale pöörata ega eemaldada. Kõrvale pööratud kaitsme tõttu paljastatud saeketas võib kasutamisel põhjustada tõsiseid vigastusi.

⚠HOIATUS: Ärge mitte mingil kasutage saagi, kui saeketta kaitse või vedru on kahjustatud, defektna või eemaldatud. Katkise, rikkis või eemaldatud kaitsmepõhise kasutamine võib lõppeda tõsise vigastusega.

⚠ETTEVAATUST: Ohutu töötamise huvides hoidke terakaitse alati heas seisukorras. Lõpetage kohe töötamine, kui terakaitsemega on midagi valesti. Kontrollige terakaitse tagasitõmbvedru töökorra.

Terakaitse vabastushoovaga tööriistad

► **Joon.10:** 1. Terakaitse A 2. Terakaitse B

Käepideme langetamisel tõuseb terakaitse A automaatselt. Terakaitse B tõuseb töödeldava detaili vastu puutumisel. Kaitsmed on varustatud tagasitõmbvedruga, naastes pärast löike tegemist ja käepideme tõstmist oma algselle kohale.

Terakaitse vabastushoovata tööriistad

► **Joon.11:** 1. Terakaitse

Käepideme langetamisel tõuseb terakaitse automaatselt. Kaitse on varustatud tagasitõmbvedruga, naastes pärast löike tegemist ja käepideme tõstmist oma algselle kohale.

Puhastamine

► **Joon.12:** 1. Terakaitse

Kui läbipaistev terakaitse määrdub või sellele koguneb tera ja/või töödeldava detaili nähtavust halvendav saepuru, eemaldage akukassett ja puhastage kaitset hoolikalt niiske lapiga. Ärge kasutage plastkaitse puhastamiseks lahusteid või mis tahes naftapõhiseid puhastusvahendeid, sest need võivad kaitset kahjustada.

Puhastamiseks tõstke terakaitset, jälgides jaotist „Saetera paigaldamine või eemaldamine”. Puhastamise järel viige tera ja keskmine kate tagasi oma kohale ja pingutage kuuskantpesapolti.

1. Veenduge, et tööriist oleks välja lülitatud ja akukassett eemaldatud.
2. Keerake kuuskantpesapolti kaasas oleva kuuskantvõtmega ja hoidke samal ajal keskmist kate.
3. Tõstke terakaitse ja keskmine kate üles.
4. Kui puhastamine on lõpetatud, viige keskmine kate tagasi oma kohale ja pingutage kuuskantpesapolti, korrates eeltoodud toiminguid vastupidises järjestuses.

⚠HOIATUS: Ärge eemaldage terakaitset kinni hoidvat vedru. Kui kaitse on UV-kiirguse või vananemise tõttu kahjustunud, võtke ühendust Makita teeninduskeskusega, et uus hankida. **KAITSE KÕRVALEPÖÖRAMINE VÕI EEMALDAMINE ON KEELATUD.**

Otsamislaua paigutamine

See tööriist on varustatud otsamislaudadega eeringlaadi alusel, mis minimeerivad löike väljumiskülje rebimist. Otsamislaudad on tehases reguleeritud nii, et saetera ei puutuks nende vastu. Enne kasutamist reguleerige otsamislaudu järgmiselt:

1. Eemaldage kindlasti akukassett. Seejärel keerake kõik otsamislaudu kinni hoidvad kruvid lahti (2 tk vasakul ja paremal).
- **Joon.13:** 1. Otsamislaud 2. Kruvi
2. Kinnitage need uuesti ainult sel määral, et otsamislaudu saab kergesti käega liigutada.
3. Langetage käepide madalaimasse asendisse ja vajutage kinnitustihvt sisse, et lukustada käepide langetatud asendisse.
4. Keerake lahti kaks liugvardaid kinni hoidvat pitskruvi.
- **Joon.14:** 1. Pöidlakruvi
5. Tõmmake kelk lõpuni enda poole.
6. Reguleerige otsamislaudu nii, et need puudutaksid napilt saehammaste külgi.
- **Joon.15**
- **Joon.16:** 1. Saetera 2. Tera hambahammas 3. Otsamislaud 4. Vasakpoolne fasset-tõige 5. Sirglõikus
7. Kinnitage eesmised kruvid (ärge keerake kõvasti kinni).
8. Lükake kelk lõpuni juhtpiirde suunas ja reguleerige otsamislaudu nii, et need puudutaksid napilt saehammaste külgi.
9. Kinnitage tagumised kruvid (ärge keerake kõvasti kinni).

10. Pärast otsamislaudade reguleerimist vabastage kinnitustihvt ja tõstke käepidet. Seejärel kinnitage kõik kruvid tugevasti.

TÄHELEPANU: Pärast faasinurga seadistamist veenduge, et otsamislaud oleksid korralikult seadistatud. Otsamislaudade õige seadistamine aitab tagada töödeldavale esemele korraliku toe ja minimeerida selle purunemisohu.

Maksimaalse saagimisjõudluse tagamine

Masina tehaseeadistus pakub 190 mm saeteraga saagimisel maksimaalset saagimisjõudlust. Uue tera paigaldamisel kontrollige alati tera alumist piirasendit ja vajaduse korral reguleerige seda järgmiselt:

1. Eemaldage akukassett. Seejärel lükake kelk lõpuni juhtpiirde suunas ja langetage käepide kõige madalamasse asendisse.

► **Joon.17:** 1. Reguleerimispolst 2. Juhtpiire

2. Kasutage kuuskantmutrivõtvi, et keerata reguleerimispolsti, kuni saetera on liikunud kergelt juhtpiirde ja eerungilaua ülapiinna alla.

► **Joon.18**

3. Pöörake tera käega, hoides samal ajal käepidet all, et tera ei puutuks vastu alust. Vajaduse korral reguleerige veidi.

▲HOIATUS: Uue saeketta paigaldamise järel (akukassett peab olema eemaldatud) veenduge alati selles, et ketas ei satuks käepideme alumise asendi korral kokkupuutesse aluse ühegi osaga. Saeketta kokkupuude alusega võib kaasa tuua tagasilööke ja põhjustada tõsiseid vigastusi.

► **Joon.19**

Stopperlatt

Tera alumist piirasendit saab stopperlati abil hõlpsasti reguleerida. Reguleerimiseks keerake stopperlati noole suunas, nagu on joonisel näidatud. Keerake reguleerimiskruvi ja vajutage käepide lõpuni alla, et kontrollida tulemust.

► **Joon.20:** 1. Reguleerimiskruvi 2. Stopperlatt

Alltõkis

Riigile omane

▲ETTEVAATUST: Kui teete fassettlõikeid vasakule, pöörake alltõkis väljapoole. Muidu võib see sattuda kontakti lõiketeraga või tööriista muu osaga, põhjustades kasutajale raskeid vigastusi.

► **Joon.21:** 1. Alltõkis

See tööriist on varustatud alltõkisega. Seadke alltõkis tavaliselt sissepoole. Kui teete aga fassettlõikeid vasakule, pöörake alltõkis väljapoole.

Eerunginurga reguleerimine

► **Joon.22:** 1. Eerungiplaat 2. Osuti 3. Eerungiskaala 4. Lukustushoob 5. Käepide

1. Keerake käepide vastupäeva lahti.
2. Vajutage lukustushoob alla ning hoidke ja reguleerige eerungiplaadi nurka. Kasutage juhisenäht ja eerungiskaalat.
3. Keerake käepide päripäeva korralikult kinni.

▲ETTEVAATUST: Pärast eerunginurga reguleerimist kinnitage eerungiplaat pideme abil alati korralikult.

TÄHELEPANU: Eerungiplaadi keeramisel tõstke käepide kindlasti kõrgeimasse asendisse.

Kaldenurga reguleerimine

Kaldenurga reguleerimiseks keerake tööriista taga asuv hoob vastupäeva lahti.

► **Joon.23:** 1. Hoob 2. Vabastusnupp

Tera vasakule kallutamiseks hoidke käepidemest ja kallutage kelku. Kasutage suunisenäht kaldenurga skaalat ja osuti. Seejärel keerake hoob varda kinnitamiseks korralikult päripäeva kinni.

► **Joon.24:** 1. Osuti 2. Kaldenurga skaala 3. Latt

Tera paremale kallutamiseks hoidke käepidemest, kallutage kelku natukene vasakule ja vajutage vabastusnuppu. Hoides vabastusnuppu all, kallutage saetera paremale. Seejärel keerake hoob kinni.

▲ETTEVAATUST: Pärast kaldenurga reguleerimist kinnitage latt alati korralikult, keerates hooba päripäeva.

TÄHELEPANU: Saeketta kallutamisel tõstke käepide täielikult üles.

TÄHELEPANU: Kaldenurga muutmisel veenduge, et asetate otsamislaud nii, nagu on kirjeldatud lõigus „Otsamislaudade paigaldamine”.

Hoova asendi reguleerimine

Kui hoob ei hoia aja jooksul enam täie jõuga kinni, muutke hoova asendit. Hooba saab 30° sammuga ümber paigutada.

Keerake lahti ja eemaldage hoova kinnituskruvi. Eemaldage hoob ja paigaldage see uuesti, nii et see oleks suunatud tasapinnast veidi kõrgemale. Seejärel pingutage hoob tugevasti kruviga.

► **Joon.25:** 1. Hoob 2. Kruvi

Lüliti funktsioneerimine

⚠️HOIATUS: Kontrollige alati enne akukasseti tööriista külge paigaldamist, kas lüliti päästik funktsioneerib nõuetekohaselt ja liigub lahtilaskmisele tagasi väljalülitatud asendisse. Tööriista juhtimise lüliti abil, mis ei toimi korralikult, võib kaasa tuua kontrolli kaotamise sae üle ja põhjustada tõsiseid vigastusi.

⚠️HOIATUS: Ärge kasutage tabalukku, mille varb või kaabel on väiksema läbimõõduga kui 6,35 mm. Väiksem vars või kaabel ei pruugi tööriista korralikult väljalülitatud asendisse lukustada ja tööriista kogemata käivitamine võib kaasa tuua tõsiseid vigastusi.

⚠️HOIATUS: ÄRGE KUNAGI kasutage tööriista, kui lüliti päästik ei ole täielikus töökorras. Mis tahes masin, mille lüliti on korras ära, on ÜLIMALT OHTLIK ja vajab enne edasist kasutamist remonti, sest muidu võite saada tõsiselt vigastada.

⚠️HOIATUS: Teie ohutuse huvides on masin varustatud lahtilukustusnupuga, mis hoiab ära masina ettekatsetamatu käivitumise. **ÄRGE kasutage KUNAGI masinat, kui see käivitub ka siis, kui lahtilukustusnupu vajutamata tõmbate lihtsalt lüliti päästikut.** Remonti vajav lüliti võib põhjustada masina soovimatut sisselülitumise, millega kaasnevad tõsised vigastused. ENNE edasist kasutamist viige masin parandamiseks Makita teeninduskeskusesse.

⚠️HOIATUS: Lahtilukustusnupu fikseerimine kleepklindi vms-ga on KEELATUD. Inaktiveeritud lahtilukustusnupuga lüliti võib põhjustada masina soovimatut sisselülitumise, millega kaasnevad tõsised vigastused.

TÄHELEPANU: Ärge tõmmake lüliti päästikut tugevasti ilma lahtilukustusnupu vajutamata. See võib põhjustada lüliti purunemise.

Terakaitsme vabastushoovaga tööriistad

Et vältida lüliti päästiku juhuslikku tõmbamist, on tööriistal lahtilukustusnupp. Tööriista käivitamiseks suruge terakaitsme vabastushoob üles, vajutage lahtilukustusnupp sisse ning tõmmake lüliti päästikut. Vabastage lüliti päästik tööriista seiskamiseks.

Lahtilukustusnupu võib vajutada nii paremalt kui ka vasakult poolt.

Tööriista lukustamiseks on lüliti päästikul ava, mille külge paigaldatakse tabalukk.

► **Joon.26:** 1. Terakaitsme vabastushoob 2. Lüliti päästik 3. Lahtilukustusnupp 4. Ava tabaluku jaoks

Terakaitsme vabastushoovata tööriistad

Et vältida lüliti päästiku juhuslikku tõmbamist, on tööriistal lahtilukustusnupp. Tööriista käivitamiseks vajutage lahtilukustusnupp sisse ning tõmmake lüliti päästikut. Vabastage lüliti päästik tööriista seiskamiseks.

Lahtilukustusnupu võib vajutada nii paremalt kui ka vasakult poolt.

Tööriista lukustamiseks on lüliti päästikul ava, mille külge paigaldatakse tabalukk.

► **Joon.27:** 1. Lahtilukustusnupp 2. Lüliti päästik 3. Ava tabaluku jaoks

KOKKUPANEK

⚠️HOIATUS: Kandke alati hoolt selle eest, et tööriist oleks enne selle reguleerimist välja lülitatud ning akukassett eemaldatud. Kui jätate seadme välja lülitamata või aku eemaldamata, võib see lõppeda tõsise kehavigastusega.

Kuuskantvõtme hoiolepanek

Kuuskantvõtit hoitakse joonisel näidatud kohas. Kui kuuskantvõtit on tarvis, võtke see võtmehoidikust välja. Kuuskantvõtme kasutamise järel pange see tagasi võtmehoidikusse.

► **Joon.28:** 1. Mutrivõtme hoidik 2. Kuuskantvõti

Saelehe paigaldamine ja eemaldamine

⚠️HOIATUS: Veenduge alati enne saeketta paigaldamist või eemaldamist, et tööriist oleks välja lülitatud ja akukassett eemaldatud. Masina juhuslik sisselülitamine võib põhjustada tõsiseid vigastusi.

⚠️ETTEVAATUST: Kasutage tera paigaldamiseks ja eemaldamiseks ainult kaasas olevat **Makita kuuskantvõtit**. Muidu võib kuuskantpesapoldi kinnitus jääda liiga tugevaks või ebapiisavaks. See võib tekitada vigastusi.

Tera eemaldamiseks tehke järgmised toimingud:

1. Käepideme kinnitamiseks ülestõstetud asendisse suruge kinnitustihvt sisse.

► **Joon.29:** 1. Kinnitustihvt

2. Keerake keskmist katet kinnihoidev kuuskantpesapolt kuuskantvõtmeaga vastupäeva lahti. Seejärel tõstke terakaitse ja keskmine kate üles.

► **Joon.30:** 1. Keskmine kate 2. Kuuskantpesapolt 3. Kuuskantvõti 4. Terakaitse

3. Vajutage võlli lukustamiseks võllilukku ja keerake kuuskantpesapolt kuuskantvõtmeaga päripäeva lahti. Seejärel eemaldage spindli kuuskantpesapolt, välimine äärrik ja saeketas.

► **Joon.31:** 1. Võllilukk 2. Kuuskantpesapolt 3. Välisäärrik

4. Kui siseäärrik eemaldatakse, paigaldage see spindlile nii, et tera paigaldusosa jääks tera suunas. Ääriku vale paigaldamise korral hakkab see hõõrduma vastu masinat.

► **Joon.32:** 1. Välisäärrik 2. Saetera 3. Siseäärrik 4. Kuuskantpesapolt (vasakkeermega) 5. Spindel 6. Tera paigaldamise osa

Tera paigaldamiseks tehke järgmised toimingud:

1. Paigaldage tera ettevaatlikult sisemisele äärrikule. Veenduge, et tera pinnal oleva noole suund langeks kokku terakorpusel oleva noole suunaga.

► **Joon.33:** 1. Saetera 2. Nool

2. Paigaldage välimine äärrik ja kuuskantpesapolt ning keerake seejärel spindli kuuskantpesapolt (vasakkeermega) kuuskantvõtmeaga vastupäeva tugevasti kinni, surudes samal ajal võllilukku.

- Viige terakaitse ja keskmine kate tagasi algasendisse. Seejärel keerake keskmise kate kuuskantpesapolti keskmise kate fikseerimiseks päripäeva.
- Vabastage käepide ülestõstetud asendist, tõmmates kinnitustihvti välja. Langetage käepide, et veenduda terakaitse korrallikus liikumises.
- Enne saagimist veenduge selles, et völliuk oleks spindli vabastanud.

Tööriistale, mille siseäärik sobib 15,88 mm ava läbimõõduga saeteraga

Riigile omane

Paigaldage siseäärik paigaldusvõllile, suunates taanduva osa väljapoole, ja asetage siis paika saetera (vajaduse korral kinnitatud rõngaga), välisäärik ja kuuskantpolt.

Rõngata tööriist

- **Joon.34:** 1. Välisäärik 2. Saetera 3. Siseäärik 4. Kuuskantpesapolt (vasakkeermega) 5. Spindel

Rõngaga tööriist

- **Joon.35:** 1. Välisäärik 2. Saetera 3. Siseäärik 4. Kuuskantpesapolt (vasakkeermega) 5. Rõngas 6. Spindel

HOIATUS: Kui tera spindlile kinnitamiseks on vajalik rõngas, veenduge alati, et sise- ja välisääriku vahele oleks paigaldatud kasutatava tera völliavaga kokkusobiv rõngas. Vale völliava rõnga kasutamine võib kaasa tuua tera vale paigalduse, mis põhjustab saetera lengerdamist ja tugevat vibratsiooni, mis võib omakorda põhjustada kontrolli kaotust tööriista üle ning raskeid kehavigastusi.

Tööriistale, mille siseäärik sobib muu kui 20 mm või 15,88 mm ava läbimõõduga saeteraga

Riigile omane

Siseäärikul on ühel küljel kindla läbimõõduga tera paigaldamise osa ja teisel küljel teistsuguse läbimõõduga tera paigaldamise osa. Valige õige tera paigaldamise osaga pool, mis sobib täpselt saetera avasse.

- **Joon.36:** 1. Välisäärik 2. Saetera 3. Siseäärik 4. Kuuskantpesapolt (vasakkeermega) 5. Spindel 6. Tera paigaldamise osa

ETTEVAATUST: Veenduge, et siseääriku tera paigaldamise osa „a”, mis asetseb suunaga väljapoole, sobiks täpselt saetera avasse „a”. Tera paigaldamine valele küljele võib põhjustada ohtlikku vibratsiooni.

Tolmukott

Valikuline tarvik

Tolmukoti kasutamine muudab saagimise puhtamaks ja kergendab tolmu kogumist. Tolmukoti paigaldamiseks kinnitage see tolmuotsaku külge.

Kinnitusdetaili paigaldamiseks joondage selle ülemine ots tolmuoti oleva kolmnurgaga.

Kui tolmuoti on umbes poolenisti täis, eemaldage see tööriista küljest ja tõmmake fiksaator välja. Tühjendage tolmuoti, koputades seda kergelt, et eemaldada külgedele kinnitunud osakesed, mis võivad takistada edasist tolmuotumist.

- **Joon.37:** 1. Tolmuoti 2. Tolmuotsak 3. Fiksaator

MÄRKUS: Tolmuimeja ühendamisel saega saate töötada puhtamalt.

Töödeldava detaili fikseerimine

HOIATUS: Äärmiselt oluline on fikseerida töödeldav ese alati korrektselt õiget tüüpi kinnitusrakisega. Muidu võib tulemuseks olla tõsine vigastus ja masina ja/või töödeldava eseme kahjustamine.

HOIATUS: Sae tugialusest pikema eseme saagimisel tuleb eseme tugialusest üleulatuv osa täies pikkuses toetada, tagades sealjuures eseme rõhtsuse samal kõrgusel. Töödeldava eseme korralik toetamine hoiab ära saeketta kiilumise ja võimalikud tagasilöögid, mis võivad kaasa tuua tõsiseid vigastusi. Ärge piirduge töödeldava detaili ainult vertikaalse ja/või horisontaalse kinnitusrakisega fikseerimisega. Õhukesed materjalid kipuvad koolduma. Toestage töödeldav detail terves ulatuses, et vältida tera pitsitamist ja võimalikku TAGASILÖÖKI.

- **Joon.38:** 1. Tugi 2. Eerungiplaadi

Vertikaalne kinnitusrakis

HOIATUS: Kinnitage töödeldav detail kõikide töötappide käigus eerungiplaadi ja juhtpiirde külge. Muidu võib materjal lõikamise käigus liikuda, põhjustada terale kahjustusi ja paiskuda eemale, mis võib põhjustada kontrolli kaotamise ja raskeid kehavigastusi.

Paigaldage vertikaalne kinnitusrakis juhtpiirde või hoidikumoodulil (lisatarvik) parem- või vasakpoolsele küljele. Sisestage kinnitusrakise varras juhtpiirde või hoidikumoodulis olevasse avasse ja fikseerige alumine kruvi kinnitusrakise kinnitamiseks.

- **Joon.39:** 1. Kinnitusrakise latt 2. Kinnitusrakise varras 3. Juhtpiire 4. Hoidik 5. Hoidikumoodul 6. Kinnitusrakise nupp 7. Alumine kruvi 8. Ülemine kruvi

Paigutage kinnitusrakise latt vastavalt töödeldava detaili paksusele ja kujule ning fikseerige kinnitusrakise latt, pingutades ülemist kruvi. Kui ülemine kruvi puutub vastu juhtpiiret, paigaldage ülemine kruvi kinnitusrakise lati vastasküljele. Veenduge, et käepideme lõpuni alla langetamisel ja kelgu täies ulatuses lükkamisel või tõmbamisel ei puutuks ükski tööriista osa vastu kinnitusrakist. Kui mõni osa puutub vastu kinnitusrakist, paigutage kinnitusrakis ümber. Suruge töödeldav detail tasasel vastu juhtpiiret ja eerungiplaati. Asetage töödeldav detail soovitud lõikeasendisse ja fikseerige, keerates kinnitusrakise nupu tugevasti kinni.

Horisontaalne kinnitusrakis

Valikuline tarvik

▲HOIATUS: Võtke töödeldav detail haardesse ainult siis, kui indikaator on kõige üllemises asendis. Muidu võib töödeldav detail ebapiisavalt kinnituda. See võib põhjustada töödeldava detaili viskamist, teravigastusi või tööriista üle kontrolli kadumist, mis võib lõppeda KEHAVIGASTUSTEGA.

- **Joon.40:** 1. Kinnitusrakise nupp 2. Indikaator 3. Kinnitusrakise võlli 4. Alus

Horisontaalse kinnitusrakise saab paigaldada aluse vasakpoolsele küljele.

Kruvi lövendatakse kinnitusrakise nupu keeramisega vastupäeva ning kinnitusrakise võlli saab kiiresti sisse ja välja liigutada. Kruvi kinnitub, kui kinnitusrakise nuppu keeratakse päripäeva.

Töödeldava detaili haardesse kinnitamiseks keerake kinnitusrakise nuppu õrnalt päripäeva, kuni indikaator jõuab kõrgeimasse asendisse. Seejärel fikseerige tugevasti. Kui kinnitusrakise nuppu päripäeva keeramise ajal jõuga sisse suruda või välja tõmmata, võib indikaator nurga all seiskuda. Sellisel juhul keerake kinnitusrakise nuppu vastupäeva, kuni kruvi vallandub, ning keerake seda uuesti õrnalt päripäeva.

Horisontaalse kinnitusrakise maksimaalne laius on 120 mm.

Hoidikud ja hoidikumoodul

Valikuline tarvik

▲HOIATUS: Saagimistäpsuse tagamiseks ja masina üle kontrolli kaotamise vältimiseks teostage pikad töödeldavad esemed alati nõnda, et need oleksid eerungiplaadi pealispinnaga tasa. Töödeldava eseme korralik toestamine hoiab ära saeketta kiilumise ja võimalikud tagasilöögid, mis võivad kaasa tuua tõsiseid vigastusi.

Hoidikud ja hoidikumoodul (lisatarvik) võimaldavad töödeldavat detaili horisontaalsuunas käepäraselt toestada ning neid saab paigaldada mõlemale küljele.

Paigaldage need tööriista küljele ja pingutage seejärel kinnitamiseks kruvid.

- **Joon.41:** 1. Hoidik 2. Hoidikumoodul

Pikkade detailide lõikamisel kasutage hoidiku-wardamoodulit (lisatarvik). See koosneb kahest hoidikumoodulist ja kahest nr 12 vardast.

- **Joon.42:** 1. Hoidikumoodul 2. Nr 12 varras

TÖÖRIISTA KASUTAMINE

▲HOIATUS: Veenduge, et tera ei puutuks enne tööriista sisselülitamist vastu töödeldavat detaili jne. Masina sisselülitamine juhul, kui saeketas on töödeldava esemega kokkupuutes, võib põhjustada tagasilööke ja tõsiseid vigastusi.

▲HOIATUS: Saeketast ei tohi pärast saagimist tõsta üles enne, kui see on täielikult seiskunud. Pöörleva saeketta ülestõstmine võib põhjustada tõsiseid vigastusi ja kahjustada töödeldavat eset.

▲HOIATUS: Ärge puudutage saetera pöörlemise ajal pitskruvisid, mis liugvardaid kinni hoiavad. Muidu võib tööriist kontrolli kaotada ja põhjustada kehavigastusi.

TÄHELEPANU: Enne kasutamist vabastage kindlasti käepide langetatud asendist, tõmmates kinnitustihvti välja.

TÄHELEPANU: Ärge avaldage käepidemele lõikamisel liigset survet. Ülemäärane surve võib põhjustada mootori ülekoormust ja/või vähendada lõikamise tõhusust. Suruge käepide alla ainult sujuva lõikamise tagamiseks tarviliku jõuga ja nii, et tera kiirus oluliselt ei väheneks.

TÄHELEPANU: Lõikamiseks vajutage käepide õrnalt alla. Kui käepidet suruda liiga tugevasti või külgsuunalist jõudu rakendades, võib tera hakata vibreerima ja jätta töödeldavale detailile takke (saetakke) ning lõike täpsus väheneb.

TÄHELEPANU: Liuglõikamisel lükake kelku peatamata õrnalt juhtpiirde poole. Kui kelk lõikamise ajal peatub, võib töödeldavale detailile jääda takke ning lõiketäpsus võib väheneda.

Presslõikamine (väikeste detailide lõikamine)

▲HOIATUS: Keerake kaks liugvardaid kinni hoidvat pitskruvi päripäeva korralikult kinni, et kelk töötamise ajal ei liiguks. Lukustuskruvi ebapiisav pingutamine võib põhjustada tagasilööke, mis võivad kaasa tuua tõsiseid vigastusi.

- **Joon.43**

Kuni 52 mm kõrguseid ja 97 mm laiuseid detaile saab saagida järgneval viisil.

1. Lükake kelk lõpuni juhtpiirde suunas ja keerake kelgu fikseerimiseks kaks liugvardaid kinni hoidvat pitskruvi päripäeva kinni.
2. Kinnitage töödeldav ese õiget tüüpi kinnitusrakisega.
3. Lülitage tööriist sisse ja jälgige, et lõiketera ei puutuks kuskile vastu, ja enne langetamist oodake, kuni lõiketera saavutab täiskiiiruse.
4. Detaili lõikamiseks lükake käepide ettevaatlikult kõige alumisse asendisse.
5. Kui lõige on tehtud, lülitage tööriist välja ja oodake tera täieliku peatumiseni, enne kui viite selle tagasi ülestõstetud asendisse.

Liuglõike (presslõike) tegemine (laiade detailide lõikamine)

⚠HOIATUS: Liugsaagimisel tõmmake kelk esmalt lõpuni enda poole ja vajutage käepide täielikult alla, seejärel lükake kelku juhttõkise poole. Saagimist ei tohi alustada enne, kui olete kelgu täielikult enda poole tõmmanud. Kui teete liugsaagimise ilma kelku täielikult enda poole tagasi tõmbamata, võib toimuda ootamatu tagasilööki, mis võib tekitada tõsise vigastuse.

⚠HOIATUS: Ärge mingil juhul tehke liugsaagimist kelku enda poole tõmmates. Kui tõmbate kelku saagimise ajal enda poole, võib toimuda ootamatu tagasilööki, mis võib tekitada tõsise vigastuse.

⚠HOIATUS: Liugsaagimist ei tohi teha, kui käepide on lukustatud langetatud asendisse.

⚠HOIATUS: Ärge kunagi keerake kelku fikseerivat nuppu tera pöörlemise ajal lahti. Kelgu vabanemine saagimise ajal võib põhjustada ootamatu tagasilöögi, mis võib kaasa tuua tõsise vigastuse.

► Joon.44

1. Keerake kaks liugvardaid kinni hoidvat pitskrui vastupäeva lahti, et kelk saaks vabalt libiseda.
2. Kinnitage töödeldav ese õiget tüüpi kinnitusrakisega.
3. Tõmmake kelk lõpuni enda poole.
4. Lülitage masin sisse ja jälgige, et saeketas ei puutuks kuskile vastu, ja oodake, kuni saeketas saavutab täiskiiruse.
5. Vajutage käepide alla ja lükake kelku juhttõkise poole ning läbi töödeldava eseme.
6. Kui lõige on tehtud, lülitage tööriist välja ja oodake tera täieliku peatumiseni, enne kui viite selle tagasi ülestõstetud asendisse.

Kaldlõikamine

Juhinduge eespool toodud lõigust „Eerunginurga reguleerimine”.

Fassettlõikamine

⚠HOIATUS: Kui olete saeketta faasisaagimiseks valmis seadnud, veenduge enne masina kasutamist selles, et kelgu ja saeketta liikumistee-kond oleks kogu kavandatava saagimise ulatuses vaba. Kelgu või saeketta liikumise katkestamine saagimise käigus võib põhjustada ootamatu tagasilöögi, mis võib kaasa tuua tõsise vigastuse.

⚠HOIATUS: Hoidke käed faasisaagimise ajal saeketta teelt eemal. Saeketta nurk võib saeketta tege-likku teekonda saagimise käigus kasutaja eest varjata, kokkupuude saekettaga põhjustab tõsise vigastuse.

⚠HOIATUS: Saeketast ei tohiks tõsta enne selle täielikku seiskumist. Faasisaagimise käigus võib maha saetud klots jääda toetuma vastu saeketta külge. Kui saeketas tõstetakse üles enne selle seiskumist, võib ketas haarata klotsi kaasa ja paisata eemale, purustades selle ning tekitades tõsise vigastuse ohu.

⚠ETTEVAATUST: (Ainult alltõkisega tööriistad)
Seadke abijuhthoonlaud alati väljapoole, kui teete fassettlõikeid vasakule.

► Joon.45

1. Keerake hoob lahti ja kallutage soovitud kaldenurga seadmiseks saetera (juhinduge eespool toodud lõigust „Kaldenurga reguleerimine”). Kindlasti kinnitage hoob korralikult, et kaldenurk turvaliselt fikseerida.
2. Fikseerige töödeldav detail kinnitusrakise abil.
3. Tõmmake kelk lõpuni enda poole.
4. Lülitage masin sisse ja jälgige, et saeketas ei puutuks kuskile vastu, ja oodake, kuni saeketas saavutab täiskiiruse.
5. Langetage käepide madalaimasse asendisse, avaldades samal ajal teraga paralleelset survet, ning lükake kelku töödeldava detaili lõikamiseks juhtpiirde suunas.
6. Kui lõige on tehtud, lülitage tööriist välja ja oodake tera täieliku peatumiseni, enne kui viite selle tagasi ülestõstetud asendisse.

TÄHELEPANU: Käepideme allavajutamisel avaldage saekettaga paralleelset survet. Kui eerungiplaadile püstjalt survet avaldada või kui surve suunda saagimise ajal muuta, siis väheneb saagimise täpsus.

Liitlõikamine

Liitlõikamine kujutab endast töödeldava detaili samaaegset kaldlõikamist ja eerunginurga lõikamist. Liitsaagimist saab teha tabelis näidatud nurga all.

Eerunginurk	Fassettnurk
Vasak ja parem 45°	Vasak 0° - 45°
Parem 50°	Vasak 0° - 40°
Parem 55°	Vasak 0° - 30°
Parem 57°	Vasak 0° - 25°

Liitlõike tegemisel juhinduge lõikudest „Presslõikamine”, „Liuglõikamine”, „Kaldlõikamine” ja „Fassettlõikamine”.

Kaare- ja nõgusprofiili freesimine

Kaare- ja nõgusprofiile saab freesida liugloike eeringus-aega, kui profiilid on asetatud eeringulausele lapiti. Kaare vigurprofiili lõikamiseks on kaks ja nõgusprofiili lõikamiseks üks võimalus; 52/38° kaareprofiili lõikamine, 45° kaareprofiili lõikamine ning 45° nõgusprofiili lõikamine.

► **Joon.46:** 1. 52/38° kaareprofiil 2. 45° kaareprofiil 3. 45° nõgusprofiil

On olemas kaare- ja nõgusprofiilide ühendused, mis sobivad 90° sisenurkadesse ((a) ja (b) joonisel) ja 90° välisnurkadesse ((c) ja (d) joonisel).

► **Joon.47:** 1. Sisenurk 2. Välisnurk

► **Joon.48:** 1. Sisenurk 2. Välisnurk

Mõõtmine

Mõõtke seinu laiust ja reguleerige selle järgi töödeldava detaili laiust. Veenduge alati, et töödeldava detaili seinapoolse serva laiust oleks sama nagu seinu pikkus.

► **Joon.49:** 1. Töödeldav detail 2. Sein laiust 3. Töödeldava detaili laiust 4. Seinapoolne serv

Kasutage proovisaagimiseks mitut tükki, et kontrollida saenurki.

Kumer- ja nõgusprofiilide lõikamisel seadke fassettnurk ja eeringunurk tabeli (A) järgi ning seadke profiilid tabeli (B) järgi saekorpuse ülemisele pinnale.

Vasakpoolse fassetlõike korral

► **Joon.50:** 1. Sisenurk 2. Välisnurk

Tabel (A)

–	Profiili tähis joonisel	Fassettnurk		Eeringunurk	
		52/38° tüüp	45° tüüp	52/38° tüüp	45° tüüp
Sisenurga puhul	(a)	Vasak 33,9°	Vasak 30°	Parem 31,6°	Parem 35,3°
	(b)			Vasak 31,6°	Vasak 35,3°
Välisurga puhul	(c)			Parem 31,6°	Parem 35,3°
	(d)				

Tabel (B)

–	Profiili tähis joonisel	Profiili serv vastu juhtpiiret	Lõpetatud detail
Sisenurga puhul	(a)	Laepoolne serv peab olema vastu juhtpiiret.	Lõpetatud detail peab jääma terast vasakule.
	(b)	Seinapoolne serv peab olema vastu juhtpiiret.	Lõpetatud detail peab jääma terast paremale.
Välisurga puhul	(c)	Laepoolne serv peab olema vastu juhtpiiret.	
	(d)	Seinapoolne serv peab olema vastu juhtpiiret.	

Nt:

52/38° kaareprofiili lõikamine asendis (a) ülaltoodud joonisel:

- Kallutage ja kinnitage fassettnurga seadistuseks 33,9° VASAKULE.
- Reguleerige ja kinnitage eeringunurga seadistuseks 31,6° PAREMALE.
- Asetage kaareprofiil tagumise laiema (varjatud) küljega eeringuplaadile, nii et LAEPOOLNE SERV jääks sae juhtpiirde vastu.
- Töödeldud detail jääb pärast saagimist alati terast VASAKULE poole.

Alumiiniumprofiilide lõikamine

► **Joon.51:** 1. Kinnitusrakis 2. Vaheklots 3. Juhtpiire 4. Alumiiniumprofiil 5. Vaheklots

Alumiiniumprofiilide kinnitamisel kasutage puidust klotse või puidujääke, nagu on näidatud joonisel, et vältida alumiiniumi deformeerumist. Alumiiniumi lõikamisel kasutage määrdeaineid, et vältida alumiiniumipuru kogunemist terale.

⚠ETTEVAATUST: Ärge üritage saagida pakse ega ümaraid alumiiniumprofiile. Paksud alumiiniumprofiilid võivad lõikamise ajal lahti pääseda ja ümaraid profiile ei saa selle tööriistaga korralikult fikseerida.

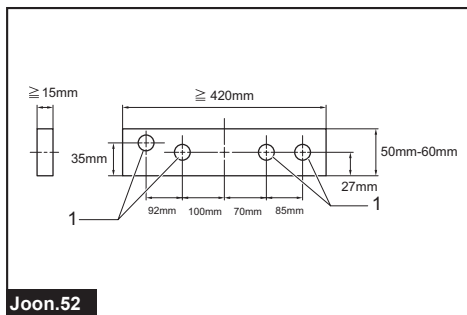
Puitääris

⚠HOIATUS: Kinnitage puitääriskruvidega juhtkõlge külge. Kruvid tuleb paigaldada nii, et kruvi- ja kruvipead jääksid puitäärise pinnast madalamale ega segaks seeläbi saetava materjali paigutust. Valesti paigutatud saetava materjal võib hakata saagimise ajal ootamatult liikuma, põhjustades kontrolli kaotamist töö üle ja tõsiseid vigastusi.

⚠ETTEVAATUST: Kasutage puitääriseks sirget ja täies pikkuses ühesuguse paksusega puitu.

Puitäärise kasutamine võimaldab pinnuvaba lõikamist. Kinnitage puitääriskruvi juhtpiirdele olevate avade abil juhtpiirde külge.

Puitäärise soovitatavad mõõtmed on toodud joonisel.



Joon.52

► **Joon.52:** 1. Avad

TÄHELEPANU: Kui paigaldatud on puitääriskruvi, siis ärge keerake langetatud käepidemega eeringuplaati. Tera ja/või puitääriskruvi saavad kahjustada.

7. Veenduge, et osuti näitaks eerungiskaalal 0°. Kui osuti ei näita 0°, siis keerake osutit kinnihoidev kruvi lahti ja reguleerige osutit nii, et see näitaks 0°.

► **Joon.58:** 1. kruvi 2. Eerungiskaala 3. Osuti

Fassettnurk

0° kaldenurk

► **Joon.59:** 1. Hoob 2. Latihoiidid 3. 0° kaldenurga reguleerimispoltt 4. Latt 5. Vabastusnupp

1. Lükake kelku juhtpiirde suunas ja keerake kaks pitskruvi kelgu kinnitamiseks kinni.
2. Langetage käepide madalaimasse asendisse ja selle lukustamiseks langetatud asendis vajutage sisse kinnitustihvt.
3. Keerake tööriista tagaosas asuv hoob lahti.
4. Keerake lati parempoolisel küljel olevat 0° kaldenurga reguleerimispoltti (alumise polt) kaks või kolm täispööret vastupäeva, et kallutada tera paremale.
5. Keerake 0° kaldenurga reguleerimispoltti hoolikalt päripäeva, kuni tera külg moodustab täisnurga eerungiplaadi pealmise pinnaga. Kasutage juhisenäht kolmnurkset joonlauda, vinklit vms. Seejärel keerake hoob korralikult kinni.

► **Joon.60:** 1. Kolmnurkjoonlaud 2. Saetera 3. Eerungiplaadi peamine pind

6. Veenduge, et lati osuti näitaks kaldenurga skaalal 0°. Kui see ei näita 0°, siis keerake osutit kinnihoidev kruvi lahti ja reguleerige osutit nii, et see näitaks 0°.

► **Joon.61:** 1. Kaldenurga skaala 2. Osuti 3. Kruvi

45° kaldenurk

► **Joon.62:** 1. Vasaku 45° kaldenurga reguleerimispoltt

Reguleerige 45° kaldenurka alles pärast 0° kaldenurga reguleerimist.

1. Vabastage hoob ja kallutage tera lõpuni vasakule.
2. Veenduge, et lati osuti näitaks kaldenurga skaalal 45°. Kui osuti ei näita 45°, keerake lati parempoolisel küljel olevat 45° kaldenurga reguleerimispoltti (ülemine polt), kuni osuti näitab 45°.

Pärast kasutamist

Pärast kasutamist pühkige tööriistale kogunenud laastud ja tolm riidelapi vms-ga ära. Hoidke terakaitse lõigus „Terakaitse“ toodud juhtnõude järgides puhtana. Rooste vältimiseks määrige tööriista libisevaid detaile masinaõliga.

Tööriista hoiulepanekuks tõmmake kelk lõpuni enda poole, nii et liugvarras läheks täies pikkuses eerungiplaadi sisse.

Toote OHUTUSE ja TÖÖKINDLUSE tagamiseks tuleb vajalikud remonttööd ning muud hooldus- ja reguleerimistööd lasta teha Makita volitatud teeninduskeskustes või tehase teeninduskeskustes. Alati tuleb kasutada Makita varuosi.

VALIKULISED TARVIKUD

▲HOIATUS: Need Makita lisatarvikud on mõeldud kasutamiseks koos juhendis käsitletava Makita tööriistaga. Muude lisatarvikute kasutamine võib lõppeda tõsise vigastusega.

▲HOIATUS: Kasutage Makita lisatarvikuid ainult otstarbekohaselt. Lisatarviku väärkasutamine võib lõppeda tõsise vigastusega.

Saate vajaduse korral kohalikust Makita teeninduskeskusest lisateavet nende tarvikute kohta.

- Karbiidotsaga saeterad
- Kinnitusrakise moodul (horisontaalne kinnitusrakis)
- Vertikaalne kinnitusrakis
- Hoidikumoodul
- Hoidiku-vardamoodul
- Paigaldusplaat
- Tolmukott
- Kolmnurkjoonlaud
- Kuuskantvõti
- Makita algupärane aku ja laadija

MÄRKUS: Mõned nimekirjas loetletud tarvikud võivad kuuluda standardvarustusse ning need on lisatud tööriista pakendisse. Need võivad riigiti erineda.

ТЕХНИЧЕСКИЕ ХАРАКТЕРИСТИКИ

Модель:	DLS714	
Диаметр диска	190 мм	
Толщина ножа	1,3 мм - 2,0 мм	
Диаметр отверстия (шпинделя), в зависимости от страны	20 мм или 15,88 мм	
Макс. угол резки	влево 47°, вправо 57°	
Макс. угол скоса	влево 45°, вправо 5°	
Число оборотов без нагрузки	5 700 мин ⁻¹	
Размеры (Д x Ш x В)	655 мм x 430 мм x 445 мм	
Номинальное напряжение	36 В пост. тока	
Блок аккумулятора	BL1815N, BL1820, BL1820B	BL1830, BL1830B, BL1840, BL1840B, BL1850, BL1850B, BL1860B
Масса нетто	13,0 кг	13,5 кг





Макс. размеры распиливаемой детали (В x Ш) с диском диаметром 190 мм

Угол резки	Угол скоса		
	45° (влево)	0°	5° (вправо)
0°	40 мм x 300 мм	52 мм x 300 мм	40 мм x 300 мм
	45 мм x 265 мм (ПРИМЕЧАНИЕ 1)	60 мм x 265 мм (ПРИМЕЧАНИЕ 1)	—
45° (влево и вправо)	40 мм x 212 мм	52 мм x 212 мм	—
	45 мм x 185 мм (ПРИМЕЧАНИЕ 2)	60 мм x 185 мм (ПРИМЕЧАНИЕ 2)	—
57° (вправо)	—	52 мм x 163 мм	—
	—	60 мм x 145 мм (ПРИМЕЧАНИЕ 3)	—

1. Макс. размеры распиливаемой детали при использовании деревянной облицовки толщиной 20 мм
 2. Макс. размеры распиливаемой детали при использовании деревянной облицовки толщиной 15 мм
 3. Макс. размеры распиливаемой детали при использовании деревянной облицовки толщиной 10 мм
- Благодаря нашей постоянно действующей программе исследований и разработок указанные здесь технические характеристики могут быть изменены без предварительного уведомления.
 - Технические характеристики и аккумуляторный блок могут отличаться в зависимости от страны.
 - Масса (с аккумуляторным блоком) в соответствии с процедурой EPTA 01.2003

СИМВОЛЫ

Ниже приведены символы, используемые для обозначения. Перед использованием убедитесь, что вы понимаете их значение.

	Прочитайте руководство по эксплуатации.
	Для предотвращения травм от разлетающихся осколков после распиливания держите головку пилы опущенной вниз до тех пор, пока полностью не остановится полностью.
	При выполнении скользящего распила сначала полностью вытяните каретку и нажмите ручку, затем подвиньте каретку к направляющей линейке.
	Держите руки и пальцы на расстоянии от полотна.



При выполнении резки с левым скосом всегда устанавливайте ВСПОМОГАТЕЛЬНОЕ ОГРАЖДЕНИЕ слева. Несоблюдение этого требования может привести к серьезной травме оператора.



Cd
Ni-MH
Li-ion

Только для стран ЕС
Не выбрасывайте электрооборудование или аккумуляторы вместе с бытовым мусором!
В соответствии с европейскими директивами об утилизации электрического и электронного оборудования, о батареях и аккумуляторах, а также использованных батареях и аккумуляторах и их применении в соответствии с местными законами электрооборудование, батареи и аккумуляторы, срок эксплуатации которых истек, должны утилизироваться отдельно и передаваться для утилизации на предприятие, соответствующее применяемым правилам охраны окружающей среды.

Назначение

Данный инструмент предназначен для точного распиливания деревянных деталей под прямым углом и под другими углами.

Используйте пилу только для резки древесины, алюминия или подобных материалов.

Шум

Типичный уровень взвешенного звукового давления (A), измеренный в соответствии с EN61029:

Уровень звукового давления (L_{pA}): 88 дБ (A)

Уровень звуковой мощности (L_{WA}): 97 дБ (A)

Погрешность (K): 3 дБ (A)

⚠ ОСТОРОЖНО: Используйте средства защиты слуха.

Вибрация

Суммарное значение вибрации (сумма векторов по трем осям), определенное в соответствии с EN61029:

Распространение вибрации (a_h): 2,5 м/с² или менее

Погрешность (K): 1,5 м/с²

ПРИМЕЧАНИЕ: Заявленное значение распространения вибрации измерено в соответствии со стандартной методикой испытаний и может быть использовано для сравнения инструментов.

ПРИМЕЧАНИЕ: Заявленное значение распространения вибрации можно также использовать для предварительных оценок воздействия.

⚠ ОСТОРОЖНО: Распространение вибрации во время фактического использования электроинструмента может отличаться от заявленного значения в зависимости от способа применения инструмента.

⚠ ОСТОРОЖНО: Обязательно определите меры безопасности для защиты оператора, основанные на оценке воздействия в реальных условиях использования (с учетом всех этапов рабочего цикла, таких как выключение инструмента, работа без нагрузки и включение).

Декларация о соответствии ЕС

Только для европейских стран

Makita заявляет, что следующее устройство (устройства):

Обозначение устройства: Аккумуляторная торцовочная пила консольного типа

Модель / тип: DLS714

Соответствует(-ют) следующим директивам ЕС: 2006/42/ЕС

Изготовлены в соответствии со следующим стандартом или нормативными документами: EN61029

Технический файл в соответствии с документом 2006/42/ЕС доступен по адресу:

Makita, Jan-Baptist Vinkstraat 2, 3070, Belgium
16.1.2015

Ясуси Фукайа (Yasushi Fukaya)

Директор

Makita, Jan-Baptist Vinkstraat 2, 3070, Belgium

Общие рекомендации по технике безопасности для электроинструментов

⚠ ОСТОРОЖНО: Ознакомьтесь со всеми инструкциями и рекомендациями по технике безопасности. Невыполнение инструкций и рекомендаций может привести к поражению электротоком, пожару и/или тяжелым травмам.

Сохраните брошюру с инструкциями и рекомендациями для дальнейшего использования.

Термин "электроинструмент" в предупреждениях относится ко всему инструменту, работающему от сети (с проводом) или на аккумуляторах (без провода).

Правила техники безопасности при эксплуатации беспроводной торцовочной пилы

1. Держите руки на расстоянии от направления движения пильного диска. Избегайте контакта с любым диском, вращающимся по инерции. Он все еще может причинить серьезные травмы.
2. Перед началом работы тщательно проверьте пильный диск на предмет трещин и деформаций. Немедленно замените поврежденные диски.
3. В случае износа замените планку для пропилов.
4. Используйте только пильные диски, рекомендованные производителем и отвечающие стандарту EN847-1.
5. Не используйте циркулярные пилы, изготовленные из быстрорежущей стали.
6. Пользуйтесь средствами защиты глаз.
7. Используйте средства защиты слуха, чтобы снизить риск потери слуха.
8. Надевайте защитные перчатки при обращении с дисками для пилы (по возможности диски следует переносить в чехле) и заготовками.
9. При пилении подсоединяйте к угловым пилам устройство сбора пыли.
10. Выбирайте пильные диски в соответствии с распиливаемым материалом.
11. Перед переноской инструмента обязательно закрепите все подвижные части. Не поднимайте и не переносите инструмент, держа за ограждение.

12. Не эксплуатируйте пилу без установленных ограждений. Перед каждым использованием проверяйте ограждение полотна. Не эксплуатируйте пилу, если ограждение полотна не перемещается свободно и мгновенно не закрывается. Запрещается фиксировать или привязывать ограждение в открытом положении.
 13. Убирайте с пола мусор, например опилки и обрезки.
 14. Используйте только пильные диски, маркировка максимальной скорости которых равна или выше максимальной скорости без нагрузки, указанной на инструменте.
 15. Если инструмент оснащен лазером или светодиодом, не устанавливайте лазер или светодиод другого типа. Обратитесь для выполнения ремонта в авторизованный сервисный центр.
 16. Запрещается удалять обрезки или другие части обрабатываемой детали из области резания, если инструмент работает с незащищенным пильным диском.
 17. Не выполняйте каких-либо действий только одними руками. При выполнении всех типов работ обрабатываемую деталь необходимо прочно закрепить по отношению к поворотному основанию и направляющей линейке с помощью тисков. Запрещается держать обрабатываемую деталь руками.
 18. Перед каждым разрезом проверяйте устойчивость инструмента.
 19. При необходимости закрепите инструмент на верстаке.
 20. Устанавливайте под длинные обрабатываемые детали соответствующие дополнительные опоры.
 21. Запрещается резать маленькие детали, размеры которых не позволяют надежно закрепить их в тисках. Неправильно зажата деталь может стать причиной отдачи и тяжелых травм.
 22. Никогда не пытайтесь дотянуться до какого-либо предмета рядом с пильным диском.
 23. Перед перемещением детали или изменением настроек выключите инструмент и дождитесь остановки пильного диска.
 24. Перед сменой диска или сервисным обслуживанием электроинструмента всегда отключайте его от источника питания и/или от аккумулятора.
 25. Стопорный штифт, блокирующий шпиндельную головку, предназначен только для переноски и хранения, а не для каких-либо операций резки.
 26. Не пользуйтесь инструментом в присутствии легковоспламеняющихся жидкостей или газов. Работа электроинструмента вблизи легковоспламеняющихся жидкостей или газов может стать причиной взрыва и пожара.
 27. Пользуйтесь только фланцами, предназначенными для данного инструмента.
 28. Следите за тем, чтобы не повредить шпиндель, фланцы (особенно монтажную поверхность) или болт. Повреждение этих деталей может привести к поломке диска.
 29. Убедитесь в прочном креплении поворотного основания и в его неподвижности во время выполнения работ.
 30. В целях вашей безопасности, перед началом работы удалите со стола стружку, небольшие предметы и т. п.
 31. Избегайте попадания режущего инструмента на гвозди. Перед выполнением работ осмотрите деталь и удалите из нее все гвозди.
 32. Перед включением выключателя убедитесь в том, что блокировка вала снята.
 33. Следите за тем, чтобы диск не касался поворотного основания в самом нижнем положении.
 34. Крепко держите ручку. Помните, что во время запуска и остановки пила немного движется вверх или вниз.
 35. Перед включением выключателя убедитесь в том, что диск не касается обрабатываемой детали.
 36. Перед использованием инструмента на реальной детали дайте ему немного поработать вхолостую. Убедитесь в отсутствии вибрации или биения, которые могут свидетельствовать о неправильной установке или дисбалансе диска.
 37. Перед началом резки дождитесь, пока диск не наберет полную скорость.
 38. Немедленно прекратите работу, если вы заметили какие-либо отклонения.
 39. Не пытайтесь заблокировать триггерный переключатель во включенном положении.
 40. Никогда не теряйте бдительность, особенно при выполнении повторяющихся, монотонных операций. Не позволяйте ложному чувству безопасности овладеть вами. Дисковые пилы такого никогда не прощают.
 41. Обязательно используйте принадлежности, рекомендованные в данном руководстве. Использование несоответствующих принадлежностей, таких как, например, абразивные круги, может привести к травме.
 42. Будьте осторожны при выполнении пазов.
 43. Некоторые виды пыли, возникающей при пилении, содержат химические вещества, которые могут вызвать рак, врожденные дефекты или оказать отрицательное воздействие на репродуктивные функции организма. Ниже приведены примеры некоторых таких химических веществ:
 - свинец из материалов, окрашенных красками на основе свинца, и
 - мышьяк и хром из химически обработанной древесины.
- Риск вашему здоровью от воздействия данных веществ зависит от частоты выполнения такой работы. Для снижения воздействия таких химических веществ на ваш организм: работайте в хорошо проветриваемом месте с соответствующими средствами обеспечения безопасности, такими как пылезащитные маски, которые могут задерживать микроскопические частицы.

44. Для снижения шума при пилении дисковая пила всегда должна быть острой и чистой.
45. Оператор имеет соответствующую подготовку для использования, настройки и эксплуатации станка.

СОХРАНИТЕ ДАННЫЕ ИНСТРУКЦИИ.

▲ОСТОРОЖНО: НЕ ДОПУСКАЙТЕ, чтобы удобство или опыт эксплуатации данного устройства (полученный от многократного использования) доминировали над строгим соблюдением правил техники безопасности при обращении с этим устройством. **НЕПРАВИЛЬНОЕ ИСПОЛЬЗОВАНИЕ** инструмента или несоблюдение правил техники безопасности, указанных в данном руководстве, может привести к тяжелой травме.

Важные правила техники безопасности для работы с аккумуляторным блоком

1. Перед использованием аккумуляторного блока прочитайте все инструкции и предупреждающие надписи на (1) зарядном устройстве, (2) аккумуляторном блоке и (3) инструменте, работающем от аккумуляторного блока.
2. Не разбирайте аккумуляторный блок.
3. Если время работы аккумуляторного блока значительно сократилось, немедленно прекратите работу. В противном случае, может возникнуть перегрев блока, что приведет к ожогам и даже к взрыву.
4. В случае попадания электролита в глаза промойте их обильным количеством чистой воды и немедленно обратитесь к врачу. Это может привести к потере зрения.
5. Не замыкайте контакты аккумуляторного блока между собой:
 - (1) Не прикасайтесь к контактам какими-либо токопроводящими предметами.
 - (2) Не храните аккумуляторный блок в контейнере вместе с другими металлическими предметами, такими как гвозди, монеты и т. п.
 - (3) Не допускайте попадания на аккумуляторный блок воды или дождя.
 Замыкание контактов аккумуляторного блока между собой может привести к возникновению большого тока, перегреву, возможным ожогам и даже поломке блока.
6. Не храните инструмент и аккумуляторный блок в местах, где температура может достигать или превышать 50 °C (122 °F).
7. Не бросайте аккумуляторный блок в огонь, даже если он сильно поврежден или полностью вышел из строя. Аккумуляторный блок может взорваться под действием огня.
8. Не роняйте и не ударяйте аккумуляторный блок.

9. Не используйте поврежденный аккумуляторный блок.
10. Входящие в комплект литий-ионные аккумуляторы должны эксплуатироваться в соответствии с требованиями законодательства об опасных товарах. При коммерческой транспортировке, например, третьей стороной или экспедитором, необходимо нанести на упаковку специальные предупреждения и маркировку. В процессе подготовки устройства к отправке обязательно проконсультируйтесь со специалистом по опасным материалам. Также соблюдайте местные требования и нормы. Они могут быть строже. Закройте или закрепите разомкнутые контакты и упакуйте аккумулятор так, чтобы он не перемещался по упаковке.
11. Выполняйте требования местного законодательства относительно утилизации аккумуляторного блока.

СОХРАНИТЕ ДАННЫЕ ИНСТРУКЦИИ.

▲ВНИМАНИЕ: Используйте только фирменные аккумуляторные батареи Makita. Использование аккумуляторных батарей, не произведенных Makita, или батарей, которые были подвергнуты модификациям, может привести к взрыву аккумулятора, пожару, травмам и повреждению имущества. Это также автоматически аннулирует гарантию Makita на инструмент и зарядное устройство Makita.

Советы по обеспечению максимального срока службы аккумулятора

1. Заряжайте блок аккумуляторов перед его полной разрядкой. Обязательно прекратите работу с инструментом и зарядите блок аккумуляторов, если вы заметили снижение мощности инструмента.
2. Никогда не подзаряжайте полностью заряженный блок аккумуляторов. Перезарядка сокращает срок службы аккумулятора.
3. Заряжайте блок аккумуляторов при комнатной температуре в 10 - 40 °C (50 - 104 °F). Перед зарядкой горячего блока аккумуляторов дайте ему остыть.
4. Зарядите ионно-литиевый аккумуляторный блок, если вы не будете пользоваться инструментом длительное время (более шести месяцев).

ОПИСАНИЕ ДЕТАЛЕЙ

► Рис.1

1	Кнопка разблокировки	2	Триггерный переключатель	3	Корпус для диска	4	Регулировочный винт (для нижнего предельного положения)
5	Регулировочный болт (для максимальной режущей способности)	6	Стопорный рычаг	7	Пылесборный мешок	8	Шкала угла скоса
9	Ограждение диска	10	Вертикальные тиски	11	Направляющая линейка	12	Держатель
13	Рычаг блокировки (для поворотного основания)	14	Рукоятка (для поворотного основания)	15	Регулировочный болт (для поворотного основания)	16	Планка для пропилов
17	Указатель (для угла резки)	18	Поворотное основание	-	-	-	-

► Рис.2

19	Подвижная стойка (верхняя)	20	Винт с накатанной головкой (для блокировки верхней подвижной стойки)	21	Шестигранный ключ	22	Зажимной винт (для блокировки держателя)
23	Рычаг (для регулировки угла скоса)	24	Подвижная стойка (нижняя)	25	Винт с накатанной головкой (для блокировки нижней подвижной стойки)	-	-

УСТАНОВКА

Установка на верстак

▲ОСТОРОЖНО: Убедитесь, что инструмент не перемещается на опорной поверхности. Перемещение торцовочной пилы на опорной поверхности во время резки может привести к потере контроля над инструментом и получению тяжелой травмы.

1. Зафиксируйте основание на ровной и надежной поверхности при помощи двух болтов. Это поможет предотвратить опрокидывание и возможные травмы.

► Рис.3: 1. Болт

2. Поверните регулировочный болт по часовой стрелке или против часовой стрелки, чтобы он соприкоснулся с поверхностью пола и обеспечил стабильность инструмента.

► Рис.4: 1. Регулировочный болт

ОПИСАНИЕ РАБОТЫ

▲ОСТОРОЖНО: Перед регулировкой или проверкой функций инструмента обязательно убедитесь, что он выключен и его аккумуляторный блок снят. Несоблюдение этого требования может стать причиной тяжелой травмы из-за случайного включения инструмента.

Установка или снятие блока аккумуляторов

▲ВНИМАНИЕ: Обязательно выключайте инструмент перед установкой и извлечением аккумуляторного блока.

▲ВНИМАНИЕ: При установке и извлечении аккумуляторного блока крепко удерживайте инструмент и аккумуляторный блок. Если не соблюдать это требование, они могут выскользнуть из рук, что приведет к повреждению инструмента, аккумуляторного блока и травмированию оператора.

► Рис.5: 1. Красный индикатор 2. Кнопка 3. Блок аккумулятора

Для снятия аккумуляторного блока нажмите кнопку на лицевой стороне и извлеките блок.

Для установки аккумуляторного блока совместите выступ аккумуляторного блока с пазом в корпусе и задвиньте его на место. Устанавливайте блок до упора так, чтобы он зафиксировался на месте с небольшим щелчком. Если вы можете видеть красный индикатор на верхней части клавиши, адаптер аккумулятора не полностью установлен на месте.

▲ВНИМАНИЕ: Обязательно устанавливайте аккумуляторный блок до конца, чтобы красный индикатор не был виден. В противном случае аккумуляторный блок может выпасть из инструмента и нанести травму вам или другим людям.

▲ВНИМАНИЕ: Не прилагайте чрезмерных усилий при установке аккумулятора блока. Если блок не двигается свободно, значит он вставлен неправильно.

ПРИМЕЧАНИЕ: Инструмент не будет работать с одним аккумуляторным блоком.

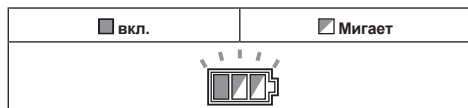
Система защиты инструмента/аккумулятора

На инструменте предусмотрена система защиты инструмента/аккумулятора. Она автоматически отключает питание двигателя для продления срока службы инструмента и аккумулятора. Инструмент автоматически остановится во время работы в следующих случаях:

Защита от перегрузки

Если из-за способа эксплуатации инструмент потребляет очень большое количество тока, он автоматически остановится без включения каких-либо индикаторов. В этом случае выключите инструмент и прекратите работу, повлекшую перегрузку инструмента. Затем включите инструмент для перезапуска.

Защита от перегрева



При перегреве инструмент автоматически останавливается, а индикатор аккумулятора мигает около 60 секунд. В таком случае дайте инструменту остыть перед повторным включением.

Защита от переразрядки

При истощении заряда аккумулятора инструмент автоматически останавливается. Если устройство не работает даже после нажатия переключателей, снимите аккумуляторы с инструмента и зарядите их.

Индикация оставшегося заряда аккумулятора

► **Рис.6:** 1. Индикатор аккумулятора 2. Кнопка проверки режима

Нажмите кнопку проверки для проверки заряда аккумулятора. Индикаторы соответствуют каждому аккумулятору.

Состояние индикатора аккумуляторной батареи			Уровень заряда аккумулятора
Вкл.	Выкл.	Мигает	
			от 50% до 100%
			от 20% до 50%
			от 0% до 20%
			Зарядите аккумулятор

Индикация оставшегося заряда аккумулятора

Только для блоков аккумулятора с индикатором

► **Рис.7:** 1. Индикаторы 2. Кнопка проверки

Нажмите кнопку проверки на аккумуляторном блоке для проверки заряда. Индикаторы загорятся на несколько секунд.

Индикаторы			Уровень заряда
Горит	Выкл.	Мигает	
			от 75 до 100%
			от 50 до 75%
			от 25 до 50%
			от 0 до 25%
			Зарядите аккумуляторную батарею.
			Возможно, аккумуляторная батарея неисправна.

ПРИМЕЧАНИЕ: В зависимости от условий эксплуатации и температуры окружающего воздуха индикация может незначительно отличаться от фактического значения.

Функция автоматического изменения скорости

► **Рис.8:** 1. Индикатор режима

Состояние индикатора режима	Режим работы
	Режим высокой скорости
	Режим высокого крутящего момента

В данном инструменте предусмотрен "режим высокой скорости" и "режим высокого крутящего момента". Он автоматически меняет режим работы в зависимости от нагрузки. Если во время работы включается индикатор режима, инструмент находится в режиме высокого крутящего момента.

Стопорный штифт

ВНИМАНИЕ: Обязательно держите ручку при разблокировке стопорного штифта. В противном случае, резкое движение ручки вверх может привести к травме.

Извлеките стопорный штифт, для чего слегка нажмите на рукоятку, а затем вытяните стопорный штифт.

► **Рис.9:** 1. Стопорный штифт

Ограждение диска

▲ ОСТОРОЖНО: Запрещается ломать или снимать ограждение режущего диска или пружину, соединенную с ограждением. Открытый диск, в случае поломки ограждения, может стать причиной тяжелых травм во время работы.

▲ ОСТОРОЖНО: Запрещается пользоваться инструментом, если ограждение диска или пружина повреждены, неисправны или сняты. Эксплуатация инструмента с поврежденным, неисправным или снятым ограждением может привести к тяжелой травме.

▲ ВНИМАНИЕ: В целях безопасности обязательно поддерживайте ограждение диска в хорошем состоянии. Немедленно прекратите работу при наличии любых неисправностей ограждения диска. Убедитесь в возвратном действии ограждения под нагрузкой пружины.

Для инструментов с ограждением диска необходимо разблокировать рычаг

► **Рис.10:** 1. Ограждение диска А 2. Ограждение диска В

При опускании ручки ограждение диска А поднимается автоматически. Ограждение диска В поднимается при контакте с обрабатываемой деталью. Ограждения подпружинены таким образом, что возвращаются в исходное положение после завершения резки и поднятия ручки.

Для инструментов без ограждения диска необходимо разблокировать рычаг

► **Рис.11:** 1. Ограждение диска

При опускании ручки ограждение режущего диска поднимается автоматически. Ограждение подпружинено, поэтому после окончания распиливания и подъема ручки оно возвращается в исходное положение.

Очистка.

► **Рис.12:** 1. Ограждение диска

При загрязнении прозрачного ограждения диска или налипании на него стружки, когда диск и/или обрабатываемую деталь больше не видно, извлеките аккумуляторный блок и тщательно очистите ограждение влажной тряпкой. Для очистки пластикового ограждения не используйте растворители или какие бы то ни было очистители на основе нефти. Они могут повредить ограждение.

Для очистки поднимите ограждение диска в соответствии с инструкциями раздела "Установка и снятие дисковой пилы".

После очистки обязательно верните диск и центральную крышку в первоначальное положение и затяните болт с внутренним шестигранником.

1. Убедитесь, что устройство выключено, а аккумуляторные блоки извлечены.
2. Поверните болт с внутренним шестигранником против часовой стрелки, используя имеющийся шестигранный ключ и удерживая центральную крышку.

3. Поднимите ограждение диска и центральную крышку.

4. По окончании очистки верните центральную крышку в исходное положение и затяните болт с внутренним шестигранником, выполняя указанные выше шаги в обратной последовательности.

▲ ОСТОРОЖНО: Не снимайте пружину крепления ограждения диска. При повреждении ограждения со временем или под воздействием ультрафиолетовых лучей свяжитесь с сервисным центром компании Makita, чтобы получить новое ограждение. **НЕ ЛОМАЙТЕ И НЕ СНИМАЙТЕ ОГРАЖДЕНИЕ.**

Расположение планки для пропилов

Данный инструмент оборудован планками для пропилов в поворотном основании для уменьшения разрыва на выходной стороне распила. Планки для пропилов отрегулированы на предприятии-изготовителе таким образом, что пильный диск не касается планок для пропилов. Перед использованием планок для пропилов отрегулируйте их следующим образом.

1. Обязательно снимите аккумуляторный блок. Ослабьте все винты (по 2 с левой и правой стороны) фиксации планок для пропилов.

► **Рис.13:** 1. Планка для пропилов 2. Винт

2. Затяните винты так, чтобы планки для пропилов можно было легко перемещать рукой.

3. Полностью опустите ручку и нажмите на стопорный штифт, чтобы зафиксировать ее в опущенном положении.

4. Ослабьте зажимные винты фиксации подвижных стоек.

► **Рис.14:** 1. Винт с накатанной головкой

5. Подайте каретку полностью на себя.

6. Отрегулируйте положение планок для пропилов так, чтобы они слегка касались боковых сторон зубьев диска.

► **Рис.15**

► **Рис.16:** 1. Дисковая пила 2. Зубья диска 3. Планка для пропилов 4. Резка со скосом влево 5. Прямая резка

7. Затяните передние винты (не затягивайте их сильно).

8. До конца задвиньте каретку к направляющей линейке и отрегулируйте положение планок для пропилов так, чтобы они слегка касались боковых сторон зубьев диска.

9. Затяните задние винты (не затягивайте их сильно).

10. После регулировки планок для пропилов отпустите стопорный штифт и поднимите рукоятку. Затем крепко затяните все винты.

ПРИМЕЧАНИЕ: Установив угол скоса, убедитесь в правильной регулировке планок для пропилов. Правильная регулировка планок для пропилов помогает добиться надлежащей опоры для заготовки, сводя к минимуму вероятность ее срыва с крепления.

Обеспечение максимальной режущей способности

Данный инструмент отрегулирован на заводе таким образом, чтобы обеспечить максимальную режущую способность 190 мм для дисковой пилы.

При установке нового диска всегда проверяйте нижнее предельное положение диска. При необходимости, выполните регулировку следующим образом.

1. Снимите блок аккумуляторной батареи. Полностью задвиньте каретку к направляющей линейке и полностью опустите рукоятку.

► **Рис.17:** 1. Регулировочный болт
2. Направляющая линейка

2. Вращайте регулировочный болт при помощи шестигранного ключа, пока диск пилы не будет находиться немного под сечением направляющей линейки и верхней поверхности поворотного основания.

► **Рис.18**

3. Поворачивайте диск рукой, нажимая на рукоятку до конца, чтобы убедиться в том, что диск не касается какой-либо части нижнего основания. При необходимости выполните повторную точную регулировку.

⚠ОСТОРОЖНО: После установки новой дисковой пилы (при извлеченном аккумулятором боке) обязательно проверьте, не соприкасается ли пила с какой-либо частью нижнего основания при полностью опущенной ручке. Задевание диском основания может стать причиной отдачи и тяжелых травм.

► **Рис.19**

Стопорный рычаг

Нижнее предельное положение диска легко регулируется с помощью стопорного рычага. Для регулировки поверните стопорный рычаг в направлении стрелки, как показано на рисунке. Поверните регулировочный винт и нажмите рукоятку вниз до упора, чтобы проверить результат.

► **Рис.20:** 1. Регулировочный винт 2. Стопорный рычаг

Вспомогательное ограждение

В зависимости от страны

⚠ВНИМАНИЕ: При выполнении резки с левым скосом откидывайте вспомогательное ограждение наружу. В противном случае оно может задеть диск или другие части инструмента и привести к тяжелой травме оператора.

► **Рис.21:** 1. Вспомогательное ограждение

Данный инструмент оборудован вспомогательным ограждением. Вспомогательное ограждение обычно обращено внутрь. Однако при выполнении резки с левым скосом откидывайте его наружу.

Регулировка угла резки

► **Рис.22:** 1. Поворотное основание 2. Указатель
3. Шкала угла резки 4. Рычаг блокировки
5. Рукоятка

1. Ослабьте рукоятку, повернув ее против часовой стрелки.

2. Нажмите на рычаг блокировки и, удерживая его в нажатом положении, отрегулируйте угол поворотного основания. В качестве вспомогательных средств используйте указатель и шкалу угла резки.

3. Плотно затяните рукоятку по часовой стрелке.

⚠ВНИМАНИЕ: После изменения угла резки обязательно закрепите поворотное основание, крепко затянув рукоятку.

ПРИМЕЧАНИЕ: При повороте основания обязательно полностью поднимите рукоятку.

Регулировка угла скоса

Для регулировки угла скоса ослабьте рычаг в нижней части инструмента, повернув его против часовой стрелки.

► **Рис.23:** 1. Рычаг 2. Кнопка разблокировки

Для наклона диска влево удерживайте ручку и наклоните каретку. В качестве вспомогательных средств используйте шкалу углу сноса и указатель. Затем плотно затяните рычаг по часовой стрелке для надежной фиксации кронштейна.

► **Рис.24:** 1. Указатель 2. Шкала угла скоса
3. Кронштейн

Для наклона диска вправо, удерживая ручку, немного наклоните каретку влево и нажмите кнопку разблокировки. Удерживая кнопку блокировки в нажатом состоянии, наклоните пильный диск вправо. Затем затяните рычаг.

⚠ВНИМАНИЕ: После изменения угла скоса всегда закрепляйте кронштейн, затягивая рычаг по часовой стрелке.

ПРИМЕЧАНИЕ: При наклоне диска пилы полностью поднимайте ручку.

ПРИМЕЧАНИЕ: При изменении углов скоса обязательно устанавливайте планки для пропилов в надлежащее положение согласно разделу "Расположение планки для пропилов".

Регулировка положения рычага

Если рычаг не обеспечивает полного натяжения по прошествии определенного времени, измените его положение. Шаг изменения положения рычага составляет 30°.

Ослабьте и снимите винт фиксации рычага. Снимите рычаг и установите его снова, чтобы он указывал немного выше горизонтального уровня. Крепко затяните рычаг винтом.

► **Рис.25:** 1. Рычаг 2. Винт

Действие выключателя

⚠ ОСТОРОЖНО: Перед установкой аккумуляторного блока в инструмент обязательно убедитесь, что его триггерный переключатель нормально работает и возвращается в положение "OFF" (ВЫКЛ) при отпусчении. Эксплуатация инструмента с неисправным выключателем может привести к потере контроля над инструментом и получению тяжелой травмы.

⚠ ОСТОРОЖНО: Не используйте замок с дужкой или тросом диаметром менее 6,35 мм (1/4 дюйма) Дужка или трос меньшего размера может не полностью зафиксировать инструмент в выключенном положении, что может стать причиной случайного включения и причинения тяжелой травмы.

⚠ ОСТОРОЖНО: ЗАПРЕЩАЕТСЯ эксплуатировать инструмент с неисправным триггерным переключателем. Инструмент с неисправным триггерным переключателем КРАЙНЕ ОПАСЕН, перед дальнейшим использованием его необходимо отремонтировать. В противном случае можно получить тяжелую травму.

⚠ ОСТОРОЖНО: Для обеспечения вашей безопасности данный инструмент оборудован кнопкой разблокировки, которая предотвращает непреднамеренное включение инструмента. ЗАПРЕЩАЕТСЯ использовать инструмент, когда он работает при простом нажатии на триггерный переключатель без нажатия на кнопку разблокировки. Требующий ремонта инструмент может случайно включиться и причинить тяжелую травму. Верните инструмент в сервисный центр Makita для надлежащего ремонта ДО продолжения его эксплуатации.

⚠ ОСТОРОЖНО: ЗАПРЕЩАЕТСЯ нарушать работу кнопки разблокировки, заклеивая ее скотчем или другими способами. Выключатель с неработающей кнопкой разблокировки может стать причиной случайного включения и причинения тяжелой травмы.

ПРИМЕЧАНИЕ: Не нажимайте сильно на триггерный переключатель без нажатия на кнопку разблокировки. Это может привести к поломке переключателя.

Для инструментов с ограждением диска необходимо разблокировать рычаг

Для предотвращения непреднамеренного включения триггерного переключателя имеется кнопка разблокировки. Для включения инструмента поднимите рычаг разблокировки ограждения диска, нажмите на кнопку разблокировки и потяните курковый выключатель. Отпустите триггерный переключатель для остановки.

Кнопку разблокировки можно нажимать как с левой, так и с правой стороны.

В триггерном переключателе предусмотрено отверстие под дужку навесного замка для блокировки инструмента.

► **Рис.26:** 1. Рычаг разблокировки ограждения диска 2. Триггерный переключатель 3. Кнопка разблокировки 4. Отверстие для навесного замка

Для инструментов без ограждения диска необходимо разблокировать рычаг

Для предотвращения непреднамеренного включения триггерного переключателя имеется кнопка разблокировки. Для включения инструмента нажмите на кнопку разблокировки, а затем на триггерный переключатель. Отпустите триггерный переключатель для остановки.

Кнопку разблокировки можно нажимать как с левой, так и с правой стороны.

В триггерном переключателе предусмотрено отверстие под дужку навесного замка для блокировки инструмента.

► **Рис.27:** 1. Кнопка разблокировки 2. Триггерный переключатель 3. Отверстие для навесного замка

СБОРКА

⚠ ОСТОРОЖНО: Перед выполнением каких-либо работ на инструменте обязательно убедитесь, что он выключен, а аккумуляторный блок извлечен. Несоблюдение этого требования может стать причиной тяжелой травмы.

Хранение шестигранного ключа

Шестигранный ключ хранится как показано на рисунке. Когда ключ потребуется, его можно извлечь из держателя. После использования ключ можно установить в держатель для хранения.

► **Рис.28:** 1. Держатель ключа 2. Шестигранный ключ

Установка или снятие пильного диска

⚠ ОСТОРОЖНО: Перед установкой или снятием диска обязательно убедитесь, что инструмент выключен, а аккумуляторный блок извлечен. Случайное включение инструмента может привести к тяжелым травмам.

⚠ ВНИМАНИЕ: Для установки или снятия диска пользуйтесь только шестигранным ключом Makita. В противном случае, затяжка болта с внутренним шестигранником может быть слишком сильной или слабой. Это может привести к травме.

Чтобы снять диск, выполните следующие действия.

1. Заблокируйте рукоятку в поднятом положении, нажав на стопорный штифт.

► **Рис.29:** 1. Стопорный штифт

2. Ослабьте болт с внутренним шестигранником, поворачивая его против часовой стрелки при помощи шестигранного ключа и удерживая при этом центральную крышку. Затем поднимите ограждение диска и центральную крышку.

► **Рис.30:** 1. Центральная крышка 2. Болт с внутренним шестигранником 3. Шестигранный ключ 4. Ограждение диска

3. Нажмите на кнопку фиксации вала, чтобы заблокировать шпindel, и при помощи шестигранного ключа ослабьте болт с внутренним шестигранником, повернув его по часовой стрелке. Затем снимите болт крепления шпинделя с внутренним шестигранником, а также внешний фланец и диск.

► **Рис.31:** 1. Фиксатор вала 2. Болт с внутренним шестигранником 3. Наружный фланец

4. При снятии внутреннего фланца обязательно установите его на шпindel таким образом, чтобы компонент для установки диска был направлен к диску. Если фланец установить неправильно, он будет задевать инструмент.

► **Рис.32:** 1. Наружный фланец 2. Пильный диск 3. Внутренний фланец 4. Болт с внутренним шестигранником (с левой резьбой) 5. Шпindel 6. Компонент для установки диска

Чтобы установить диск, выполните следующие действия.

1. Аккуратно установите диск на внутренний фланец. Убедитесь, что направление стрелки на диске совпадает с направлением стрелки на корпусе диска.

► **Рис.33:** 1. Пильный диск 2. Стрелка

2. Установите внешний фланец и болт с внутренним шестигранником, а затем хорошо затяните болт (с левой резьбой) крепления шпинделя, поворачивая его против часовой стрелки при помощи шестигранного ключа, одновременно нажимая стопор вала.

3. Возвратите ограждение диска и центральную крышку в первоначальное положение. Затем затяните болт крепления центральной крышки с внутренним шестигранником, поворачивая его по часовой стрелке для фиксации крышки.

4. Отпустите рукоятку из верхнего положения, потянув за стопорный штифт. Опустите рукоятку, чтобы убедиться в надлежащем перемещении ограждения диска.

5. Перед началом работы убедитесь в том, что стопор вала разблокировал шпindel.

Для инструмента с внутренним фланцем под пильный диск с отверстием диаметром 15,88 мм

В зависимости от страны

Установите внутренний фланец на вал утопленной частью наружу, затем установите пильный диск (при необходимости – с установочным кольцом), внешний фланец и болт с шестигранной головкой.

Для инструмента без кольца

► **Рис.34:** 1. Наружный фланец 2. Пильный диск 3. Внутренний фланец 4. Болт с внутренним шестигранником (с левой резьбой) 5. Шпindel

Для инструмента с кольцом

► **Рис.35:** 1. Наружный фланец 2. Пильный диск 3. Внутренний фланец 4. Болт с внутренним шестигранником (с левой резьбой) 5. Кольцо 6. Шпindel

▲ОСТОРОЖНО: Перед установкой диска на шпindel всегда проверяйте, что между внутренним и внешним фланцами установлено кольцо с соответствующим отверстием для того диска, который вы собираетесь использовать. Использование неправильного кольца с отверстием может привести к неправильной установке диска, что вызовет его перемещение и сильную вибрацию, которая может стать причиной потери контроля над инструментом во время работы и причинения тяжелых травм.

Для инструмента с внутренним фланцем под пильный диск с отверстием, диаметр которого не соответствует стандарту в 20 или 15,88 мм.

В зависимости от страны

На одной стороне внутреннего фланца имеется компонент для установки диска диаметром, отличающимся от диаметра соответствующего компонента на противоположной стороне. Правильно выбирайте сторону, крепежный компонент на которой точно соответствует отверстию на пильном диске.

► **Рис.36:** 1. Наружный фланец 2. Пильный диск 3. Внутренний фланец 4. Болт с внутренним шестигранником (с левой резьбой) 5. Шпindel 6. Компонент для установки диска

▲ВНИМАНИЕ: Убедитесь, что компонент для установки диска "а" на внутреннем фланце, который выступает наружу, точно входит в отверстие "а" пильного диска. Установка диска неверной стороной может привести к возникновению опасной вибрации.

Пылесборный мешок

Дополнительные принадлежности

Использование пылесборного мешка обеспечивает чистоту при выполнении работ и легкость сбора пыли.

Для крепления мешка наденьте его на пылесборный патрубок.

Для установки крепления совместите его верхний конец с треугольной меткой на пылесборном мешке. Когда пылесборный мешок заполнится примерно наполовину, снимите его с инструмента и вытяните зажим. Удалите содержимое пылесборного мешка, слегка ударив по нему, чтобы удалить частицы, прилипшие к внутренней части, которые могут ухудшить дальнейший сбор пыли.

► **Рис.37:** 1. Пылесборный мешок 2. Пылесборный патрубок 3. Зажим

ПРИМЕЧАНИЕ: Подсоединение пылесоса к пиле повышает чистоту операций.

Крепление обрабатываемой детали

⚠ ОСТОРОЖНО: Очень важно правильно закреплять деталь в тисках. Невыполнение этого требования может привести к тяжелым травмам и повреждению инструмента и/или детали.

⚠ ОСТОРОЖНО: При отрезании детали, длина которой больше опорного основания пилы, необходимо поддерживать выступающую часть по всей длине и на одной высоте, чтобы деталь была ровной. Надлежащая опора детали поможет предотвратить защемление диска и возможную отдачу, которая может привести к тяжелым травмам. Не полагайтесь исключительно на вертикальные тиски и/или на горизонтальные тиски при креплении обрабатываемой детали. Тонкий материал подвержен прогибам. Обеспечьте поддержку обрабатываемой детали по всей ее длине во избежание защемления диска и возможной ОТДАЧИ.

► Рис.38: 1. Опора 2. Поворотное основание

Вертикальные тиски

⚠ ОСТОРОЖНО: При выполнении всех типов работ прочно закрепляйте обрабатываемую деталь по отношению к поворотному основанию и направляющей линейке с помощью тисков. В противном случае, материал может перемещаться во время пиления, что может привести к повреждению диска, отскоку обрабатываемой детали и, соответственно, к потере контроля и тяжелым травмам.

Вертикальные тиски можно устанавливать на правой или на левой стороне направляющей линейки или на крепежном блоке (дополнительная принадлежность). Вставьте стержень тисков в отверстие в направляющей линейке или крепежном блоке и затяните нижний винт, чтобы закрепить стержень тисков.

► Рис.39: 1. Ручка тисков 2. Стержень тисков 3. Направляющая линейка 4. Держатель 5. Крепежный блок 6. Головка тисков 7. Нижний винт 8. Верхний винт

Расположите кронштейн тисков в соответствии с толщиной и формой обрабатываемой детали и закрепите кронштейн тисков, затянув верхний винт. Если верхний винт соприкасается с направляющей линейкой, установите его на противоположной стороне кронштейна тисков. Убедитесь, что никакая часть инструмента не соприкасается с тисками, когда рукоятка полностью опущена, или при перемещении каретки по всей длине в обоих направлениях. Если какая-либо часть касается тисков, отрегулируйте положение тисков.

Прижмите обрабатываемую деталь к направляющей линейке и поворотному основанию. Расположите обрабатываемую деталь в необходимом для распиливания положении и надежно закрепите ее, затянув ручку тисков.

Горизонтальный зажим

Дополнительные принадлежности

⚠ ОСТОРОЖНО: Беритесь за обрабатываемую деталь только в том случае, когда индикатор находится в самом верхнем положении. Несоблюдение данного требования может привести к недостаточному креплению обрабатываемой детали. Это может привести к отскоку обрабатываемой детали, повреждению диска или потере контроля над инструментом, в результате чего можно получить травму.

► Рис.40: 1. Головка тисков 2. Индикатор 3. Вал тисков 4. Основание

Горизонтальные тиски можно установить с левой стороны основания.

Повернув ручку тисков против часовой стрелки, можно ослабить винт и быстро вставить или вынимать вал тисков. При повороте ручки тисков по часовой стрелке винт остается в закрученном положении.

Чтобы взяться за обрабатываемую деталь, немного поверните ручку тисков по часовой стрелке, пока индикатор не достигнет самого верхнего положения, затем крепко затяните ее. Если к ручке тисков приложить усилие или потянуть за нее при повороте по часовой стрелке, индикатор может зафиксироваться под углом. В этом случае поворачивайте ручку тисков назад против часовой стрелки, пока винт не освободится, перед тем, как снова повернуть ее немного по часовой стрелке.

Максимальный рабочий ход тисков составляет 120 мм.

Держатели и крепежный блок

Дополнительные принадлежности

⚠ ОСТОРОЖНО: Обязательно поддерживайте длинные детали, чтобы они находились на одном уровне с верхней поверхностью поворотного основания. Это обеспечит точный разрез и предотвратит опасность потери контроля над инструментом. Надлежащая опора детали поможет предотвратить защемление диска и возможную отдачу, которая может привести к тяжелым травмам.

Держатели и крепежный блок (дополнительная принадлежность) можно устанавливать на любой из двух сторон в качестве удобного средства горизонтальной поддержки обрабатываемых деталей.

Установите их с боковой стороны инструмента, затем плотно затяните винты для надежной фиксации.

► Рис.41: 1. Держатель 2. Крепежный блок

При распиливании длинных обрабатываемых деталей используйте блок держателей со стержнями (дополнительная принадлежность). Он состоит из двух крепежных блоков и двух стержней 12.

► Рис.42: 1. Крепежный блок 2. Стержень 12

ЭКСПЛУАТАЦИЯ

⚠ ОСТОРОЖНО: Перед включением выключателя убедитесь, что диск не касается детали. Включение инструмента, когда диск касается детали, может привести к возникновению отдачи и тяжелым травмам.

⚠ ОСТОРОЖНО: После завершения распиливания не поднимайте диск до тех пор, пока он не остановится полностью. Поднятие вращающегося диска может привести к тяжелым травмам и повреждению детали.

⚠ ОСТОРОЖНО: Не прикасайтесь к зажимным винтам крепления подвижных стоек во время вращения пильного диска. Несоблюдение данной инструкции может привести к потере контроля над инструментом и травмам.

ПРИМЕЧАНИЕ: Перед эксплуатацией обязательно освободите рукоятку из нижнего положения, вытащив стопорный штифт.

ПРИМЕЧАНИЕ: Не оказывайте чрезмерное давление на рукоятку при распиливании. Избыточное усилие может привести к перегрузке двигателя и/или снижению эффективности резки. Нажимайте на рукоятку только с тем усилием, которое необходимо для плавной резки и без значительного снижения скорости диска.

ПРИМЕЧАНИЕ: Осторожно надавите на рукоятку для выполнения распиливания. Если нажать на рукоятку с усилием или приложить боковое усилие, диск будет вибрировать и оставит след (след пилы) на обрабатываемой детали, что может привести к снижению точности распила.

ПРИМЕЧАНИЕ: При выполнении скользящего распила осторожно давите на каретку в сторону направляющей линейки без остановки. Если остановить движение каретки во время распила, на обрабатываемой детали останется след, а точность будет снижена.

Распил с нажимом (распил небольших деталей)

⚠ ОСТОРОЖНО: Чтобы предотвратить перемещение каретки во время работы, затяните зажимные винты, фиксирующие подвижные стойки, по часовой стрелке. Недостаточное затягивание стопорного винта может вызвать отдачу и привести к тяжелым травмам.

► Рис.43

Детали высотой до 52 мм и шириной до 97 мм можно распилить следующим образом.

1. Полностью сдвиньте каретку к направляющей линейке и затяните по часовой стрелке два зажимных винта, фиксирующих подвижные стойки, чтобы закрепить каретку.
2. Закрепите деталь в тисках соответствующего типа.

3. Включите инструмент - при этом режущий диск не должен соприкасаться с обрабатываемой деталью - и перед тем, как опустить диск, дождитесь пока он не наберет максимальные обороты.
4. Затем плавно опустите ручку в крайнее нижнее положение, чтобы распилить обрабатываемую деталь.
5. По завершении распиливания выключите инструмент и дождитесь полного останова режущего диска перед тем, как перевести его в крайнее верхнее положение.

Скользящий распил (с проталкиванием) (распил широких деталей)

⚠ ОСТОРОЖНО: При выполнении распиливания сначала полностью переместите каретку к себе и нажмите рукоятку вниз до упора, затем сдвиньте каретку к направляющей линейке. Не начинайте распиливание, пока каретка не сдвинута полностью в сторону оператора. В противном случае возможна неожиданная отдача и получение тяжелых травм.

⚠ ОСТОРОЖНО: Не пытайтесь выполнять распиливание, двигая каретку на себя. В этом случае возможна неожиданная отдача и получение тяжелых травм.

⚠ ОСТОРОЖНО: Запрещается выполнять распил, если рукоятка зафиксирована в нижнем положении.

⚠ ОСТОРОЖНО: Запрещается ослаблять головку крепления каретки при вращающемся диске. Незакрепленная каретка может во время пиления вызвать неожиданную отдачу и привести к тяжелым травмам.

► Рис.44

1. Ослабьте два зажимных винта, фиксирующих подвижные стойки, против часовой стрелки, чтобы обеспечить свободное движение каретки.
2. Закрепите деталь в тисках соответствующего типа.
3. Подайте каретку полностью на себя.
4. Включите инструмент - при этом режущий диск не должен соприкасаться с обрабатываемой деталью - и дождитесь пока он не наберет максимальные обороты.
5. Нажмите на ручку вниз и подайте каретку к направляющей линейке через обрабатываемую деталь.
6. По завершении распиливания выключите инструмент и дождитесь полного останова режущего диска перед тем, как перевести его в крайнее верхнее положение.

Резка под углом

См. раздел "Регулировка угла резки" выше.

Резка со скосом

⚠ОСТОРОЖНО: После настройки диска для снятия фаски, прежде чем приступить к работе, убедитесь, что каретка и диск смогут свободно перемещаться по всей длине предполагаемого разреза. Помехи при движении каретки или диска во время распиливания могут привести к возникновению отдачи и тяжелым травмам.

⚠ОСТОРОЖНО: При снятии фаски руки оператора не должны находиться на траектории движения диска. Наклон диска может ввести в заблуждение относительно фактической траектории диска во время резания, и контакт с диском приведет к тяжелым травмам.

⚠ОСТОРОЖНО: Диск нельзя поднимать до его полного останова. Во время снятия фаски отрезанные части могут попасть под диск. Если поднять вращающийся диск, отрезанная часть детали может быть выброшена с высокой скоростью, материал может разрушиться и причинить тяжелые травмы.

⚠ВНИМАНИЕ: (Только для инструментов со вспомогательным ограждением) **Обязательно устанавливайте вспомогательное ограждение наружу при выполнении резки с левым скосом.**

► Рис.45

1. Для наклонки угла скоса кромки ослабьте рычаг и наклоните режущий диск (см. предыдущий раздел "Регулировка угла отрезки"). Для надежной фиксации установленного угла скоса кромки хорошо затяните рычаг.
2. Надежно закрепите обрабатываемую деталь в тисках.
3. Подайте каретку полностью на себя.
4. Включите инструмент - при этом режущий диск не должен соприкасаться с обрабатываемой деталью - и дождитесь пока он не наберет максимальные обороты.
5. Затем осторожно опустите рукоятку в нижнее положение, прилагая давление параллельно диску, и переместите каретку к направляющей линейке для распила обрабатываемой детали.
6. По завершении распиливания выключите инструмент и дождитесь полного останова режущего диска перед тем, как перевести его в крайнее верхнее положение.

ПРИМЕЧАНИЕ: При нажатии на рукоятку прикладывайте давление параллельно диску. Если прилагать усилие перпендикулярно поворотному основанию или изменить направление давления во время резки, это приведет к снижению точности.

Сложная резка

Сложная резка представляет собой процесс, при котором резка со скосом применяется одновременно с резкой под углом. Сложную резку можно выполнять под углами, указанными в таблице.

Угол резки	Угол скоса
Влево и вправо 45°	Влево 0 - 45°
Вправо 50°	Влево 0 - 40°
Вправо 55°	Влево 0 - 30°
Вправо 57°	Влево 0 - 25°

При выполнении сложной резки см. объяснения в разделах "Резка с нажимом", "Скользкая резка", "Резка под углом" и "Резка со скосом".

Обработка поясков и погонажа с закругленным углублением

Пояски и погонаж с закругленным углублением можно распиливать на пиле для сложной угловой резки. Для этого детали укладываются плашмя на поворотное основание.

Существуют два основных типа поясков и один тип погонажа с закругленным углублением: пояски со стеновым углом 52/38°, пояски со стеновым углом 45° и погонаж со стеновым углом 45°.

- **Рис.46:**
1. Поясок со стеновым углом 52/38°
 2. Поясок со стеновым углом 45°
 3. Погонаж со стеновым углом 45°

Имеются стыковые детали для поясков и погонажа с закругленным углублением для следующих типов углов: "внутренние" углы 90° ((a) и (b) на рисунке) и "внешние" углы 90° ((c) и (d) на рисунке).

- **Рис.47:** 1. Внутренний угол 2. Наружный угол

- **Рис.48:** 1. Внутренний угол 2. Наружный угол

Измерение

Измерьте ширину стены и отрегулируйте ширину обрабатываемой детали соответствующим образом. Обязательно убедитесь, что ширина края детали, контактирующего со стеной, совпадает с длиной стены.

- **Рис.49:** 1. Обрабатываемая деталь 2. Ширина стены 3. Ширина обрабатываемой детали 4. Край детали, контактирующий со стеной

Обязательно используйте несколько заготовок для пробных срезов, чтобы проверить угол установки пилы.

При обрезке поясков и погонажа с закругленным углублением устанавливайте угол фаски и угол отрезки как показано в таблице (A) и устанавливайте детали на верхнюю поверхность основания пилы как указано в таблице (B).

В случае снятия левой фаски

- **Рис.50:** 1. Внутренний угол 2. Наружный угол

Таблица (А)

–	Положение пояска на рисунке	Угол скоса		Угол резки	
		Тип 52/38°	Тип 45°	Тип 52/38°	Тип 45°
Для внутреннего угла	(а)	Левый 33,9°	Левый 30°	Правый 31,6°	Правый 35,3°
	(b)			Левый 31,6°	Левый 35,3°
Для наружного угла	(c)			Правый 31,6°	Правый 35,3°
	(d)				

Таблица (В)

–	Положение пояска на рисунке	Край пояска у ограждения направляющей	Готовая деталь
Для внутреннего угла	(а)	Край, касающийся потолка, должен находиться рядом с ограждением направляющей.	Готовая деталь будет находиться с левой стороны от ножа.
	(b)	Край, касающийся стены, должен находиться рядом с ограждением направляющей.	
Для наружного угла	(c)	Край, касающийся потолка, должен находиться рядом с ограждением направляющей.	Готовая деталь будет находиться с правой стороны от ножа.
	(d)	Край, касающийся потолка, должен находиться рядом с ограждением направляющей.	

Пример:

В случае отрезания пояска типа 52/38° для положения (а) на рисунке выше:

- Наклоните и зафиксируйте угол фаски 33,9° ЛЕВ.
- Отрегулируйте и зафиксируйте угол отрезки 31,6° ПРАВ.
- Положите поясок широкой стороной (обратной) на поворотное основание так, чтобы КРАЙ, КОНТАКТИРУЮЩИЙ С ПОТОЛКОМ, был прижат к направляющей линейке на пиле.
- После обрезки готовая деталь будет всегда находиться с ЛЕВОЙ стороны от диска пилы.

Резка алюминиевого профиля

- Рис.51: 1. Тиски 2. Распорный блок 3. Направляющая линейка 4. Алюминиевый профиль 5. Распорный блок

При креплении алюминиевого профиля используйте распорные блоки или детали металлолома, как показано на рисунке, чтобы предотвратить деформацию алюминия. При резке алюминиевого профиля используйте смазочное вещество для резки, чтобы предотвратить накопление алюминиевого материала на диске.

▲ВНИМАНИЕ: Никогда не пытайтесь резать толстый или круглый алюминиевый профиль. Крепление толстого алюминиевого профиля при работе может ослабнуть, а круглый алюминиевый профиль невозможно надежно закрепить с помощью данного инструмента.

Деревянная облицовка

▲ОСТОРОЖНО: Используйте винты для крепления деревянной облицовки к направляющей линейке. Винты необходимо устанавливать так, чтобы их головки располагались ниже поверхности деревянной накладки и не мешали установке материала. Неправильное расположение материала может вызвать неожиданное смещение во время резания, что может привести к потере контроля над инструментом и причинить тяжелые травмы.

▲ВНИМАНИЕ: Для накладки используйте прямую деревянную деталь равномерной толщины.

Использование деревянной облицовки позволяет добиться распиливания обрабатываемых деталей без расколов. Прикрепите деревянную облицовку к направляющей линейке с помощью отверстий в направляющей линейке. Размеры предлагаемой деревянной облицовки показаны на рисунке.

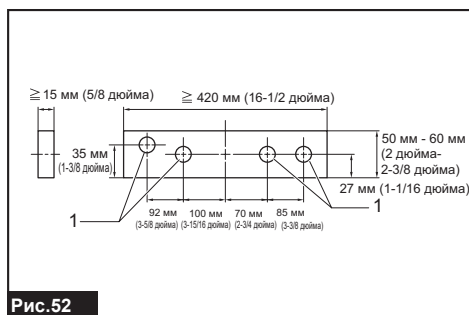


Рис.52

► Рис.52: 1. Отверстия

ПРИМЕЧАНИЕ: Когда деревянная облицовка прикреплена, не поворачивайте поворотное основание при опущенной рукоятке. Это приведет к повреждению диска и/или деревянной облицовки.

Резка одинаковой длины

Для повышения эффективности при одновременном распиливании нескольких деталей одинаковой длины от 220 мм до 385 мм используйте установочную пластину (поставляется отдельно). Установите установочную пластину на держатель (дополнительная принадлежность), как показано на рисунке.

► **Рис.53:** 1. Установочная пластина 2. Держатель 3. Винт

Совместите линию резки на обрабатываемой детали либо с левой, либо с правой стороны паза в планке для пропилов, и, удерживая обрабатываемую деталь, подвиньте установочную пластину до конца обрабатываемой детали. Затем закрепите установочную пластину винтом.

Если установочная пластина не используется, ослабьте винт и отведите установочную пластину в сторону.

ПРИМЕЧАНИЕ: Использование блока держателей со стержнями (дополнительная принадлежность) обеспечивает резку одинаковой длины 2 200 мм.

Резка пазов

▲ОСТОРОЖНО: Не пытайтесь выполнять такую резку при помощи более широкого диска или диска для выборки пазов. Попытка сделать надрез с помощью широкого диска или диска для выборки пазов может привести к неожиданным результатам и возникновению отдачи, которые могут стать причиной тяжелых травм.

▲ОСТОРОЖНО: Обязательно возвращайте ограничительный рычаг в исходное положение, если выполняете какой-либо разрез кроме выборки паза. Попытка резки с ограничительным рычагом в неправильном положении может привести к неожиданным результатам и возникновению отдачи, которые могут стать причиной тяжелых травм.

Для вырезания соединительного прямоугольного паза выполните следующие действия:

1. Отрегулируйте нижнее предельное положение диска с помощью регулировочного винта и стопорного рычага, чтобы ограничить глубину резки диска. См. раздел "Стопорный рычаг" выше.

2. После регулировки нижнего предельного положения диска вырежьте параллельные пазы по всей ширине обрабатываемой детали с помощью скользящего (с нажимом) разреза.

► **Рис.54:** 1. Вырежьте пазы лезвием

3. Удалите материал из обрабатываемой детали между пазами с помощью стамески.

Переноска инструмента

▲ОСТОРОЖНО: Стопорный штифт предназначен только для переноски и хранения инструмента, а не для выполнения каких бы то ни было операций по распиливанию. Использование стопорного штифта для распиливания может вызвать неожиданное перемещение пыльного диска, что приведет к отдаче и тяжелым травмам.

▲ВНИМАНИЕ: Перед переноской инструмента обязательно закрепите все подвижные части. Если во время переноски какие-либо компоненты инструмента движутся или скользят, можно потерять контроль над инструментом и получить тяжелую травму.

► **Рис.55**

1. Снимите блок аккумуляторной батареи.
2. Зафиксируйте режущий диск с углом фаски 0° и поворотное основание под прямым углом резки.
3. Зафиксируйте подвижные стойки так, чтобы нижняя подвижная стойка была закреплена в положении максимального сдвига каретки к оператору, а верхние стойки были закреплены в положении каретки, полностью сдвинутой вперед к направляющей линейке.
4. Полностью опустите ручку и нажмите на стопорный штифт, чтобы зафиксировать ее в опущенном положении.
5. Переносите инструмент, держась за обе стороны основания инструмента. Снятие держателей, пылесборного мешка и т. д. упростит переноску инструмента.

ОБСЛУЖИВАНИЕ

▲ОСТОРОЖНО: Всегда следите за заточкой и чистотой диска для обеспечения максимально эффективной и безопасной работы. Использование тупого или загрязненного диска может привести к возникновению отдачи и тяжелым травмам.

▲ВНИМАНИЕ: Перед проведением проверки или работ по техобслуживанию всегда проверяйте, что инструмент выключен, а блок аккумуляторов снят.

ПРИМЕЧАНИЕ: Запрещается использовать бензин, растворители, спирт и другие подобные жидкости. Это может привести к обесцвечиванию, деформации и трещинам.

Регулировка угла резки

Данный инструмент тщательно отрегулирован и выверен на предприятии-изготовителе, но грубая эксплуатация может нарушить регулировку. Если регулировка вашего инструмента нарушена, выполните следующее:

Угол резки

1. Подайте каретку по направлению к направляющей линейке и затяните два прижимных винта, чтобы зафиксировать каретку.
2. Поверните основание, чтобы стрелка указывала на 0° на шкале угла резки.
3. Затем немного поверните основание по часовой стрелке и против часовой стрелке, чтобы установить его у отметки угла резки 0°. (Оставьте его, как есть, если стрелка не указывает на 0°.)

4. Шестигранным ключом ослабьте болт с внутренним шестигранником, крепящий направляющую линейку.

► **Рис.56:** 1. Направляющая линейка 2. Болт с внутренним шестигранником

5. Полностью опустите ручку и нажмите на стопорный штифт, чтобы зафиксировать ее в опущенном положении.

6. При помощи треугольника, плотничного угольника и т. д. выровняйте направляющую линейку таким образом, чтобы она образовывала прямую угол с диском. Затем надежно затяните болт с внутренним шестигранником на направляющей линейке, начиная с правой стороны.

► **Рис.57:** 1. Треугольная линейка

7. Убедитесь, что указатель указывает на 0° на шкале угла резки. Если указатель не указывает на 0°, ослабьте винт его крепления и отрегулируйте таким образом, чтобы он указывал на 0°.

► **Рис.58:** 1. Винт 2. Шкала угла резки 3. Указатель

Угол скоса

Угол скоса в 0°

► **Рис.59:** 1. Рычаг 2. Держатель кронштейна 3. Регулировочный болт угла скоса в 0° 4. Ручка 5. Кнопка отсоединения

1. Подайте каретку по направлению к направляющей линейке и затяните два прижимных винта, чтобы зафиксировать каретку.

2. Полностью опустите ручку и нажмите на стопорный штифт, чтобы зафиксировать ее в опущенном положении.

3. Ослабьте рычаг, расположенный на задней части инструмента.

4. Поверните регулировочный болт угла скоса в 0° (нижний болт) на правой стороне кронштейна на два или три оборота против часовой стрелки, чтобы наклонить диск вправо.

5. Аккуратно поворачивайте регулировочный болт угла скоса в 0°, пока боковая часть диска не будет перпендикулярна верхней поверхности поворотного основания. Воспользуйтесь треугольной линейкой, угольником и т. п. Затем надежно затяните рычаг.

► **Рис.60:** 1. Треугольная линейка 2. Пильный диск 3. Верхняя поверхность поворотного стола

6. Убедитесь в том, что указатель на рычаге указывает на 0° шкалы угла скоса. Если указатель не указывает на 0°, ослабьте винт его крепления и отрегулируйте таким образом, чтобы он указывал на 0°.

► **Рис.61:** 1. Линейка угла скоса 2. Указатель 3. Винт

Угол скоса в 45°

► **Рис.62:** 1. Болт регулировки угла скоса влево на 45°

Выполняйте настройку угла скоса кромки 45° только после настройки угла скоса кромки 0°.

1. Ослабьте рычаг и наклоните пильный диск влево до упора.

2. Убедитесь в том, что указатель на рычаге указывает на 45° шкалы угла скоса. Если указатель не указывает на 45°, поворачивайте болт регулировки угла скоса в 45° (верхний болт) с правой стороны кронштейна, пока указатель не будет указывать на 45°.

После использования

После использования инструмента сотрите щепу и пыль, прилипшие к инструменту, с помощью ткани или аналогичных средств. Содержите ограждение диска в чистом виде в соответствии с инструкциями в разделе "Ограждение диска". Смазывайте скользящие части машинным маслом для предотвращения коррозии.

При хранении инструмента вытяните каретку полностью на себя, чтобы подвижная стойка была вставлена в поворотное основание до упора.

Для обеспечения БЕЗОПАСНОСТИ и НАДЕЖНОСТИ оборудования ремонт, любое другое техобслуживание или регулировку необходимо производить в уполномоченных сервис-центрах Makita или сервис-центрах предприятия с использованием только сменных частей производства Makita.

ДОПОЛНИТЕЛЬНЫЕ ПРИНАДЛЕЖНОСТИ

▲ОСТОРОЖНО: Данные принадлежности или приспособления рекомендуются для использования с инструментом Makita, указанным в настоящем руководстве. Использование любых других принадлежностей или приспособлений может привести к тяжелым травмам.

▲ОСТОРОЖНО: Используйте принадлежности или приспособления Makita только по назначению. Неправильное использование принадлежности или приспособления может привести к тяжелым травмам.

Если вам необходимо содействие в получении дополнительной информации по этим принадлежностям, свяжитесь с вашим сервис-центром Makita.

- Твердосплавные пильные диски
- Блок тисков (горизонтальные тиски)
- Вертикальные тиски
- Крепежный блок
- Блок держателей со стержнями
- Установочная пластина
- Пылесборный мешок
- Треугольная линейка
- Шестигранный ключ
- Оригинальный аккумулятор и зарядное устройство Makita

ПРИМЕЧАНИЕ: Некоторые элементы списка могут входить в комплект инструмента в качестве стандартных приспособлений. Они могут отличаться в зависимости от страны.

Makita Europe N.V. Jan-Baptist Vinkstraat 2,
3070 Kortenberg, Belgium

Makita Corporation 3-11-8, Sumiyoshi-cho,
Anjo, Aichi 446-8502 Japan

www.makita.com

885417B981
EN, SV, NO, FI, LV,
LT, ET, RU
20160602