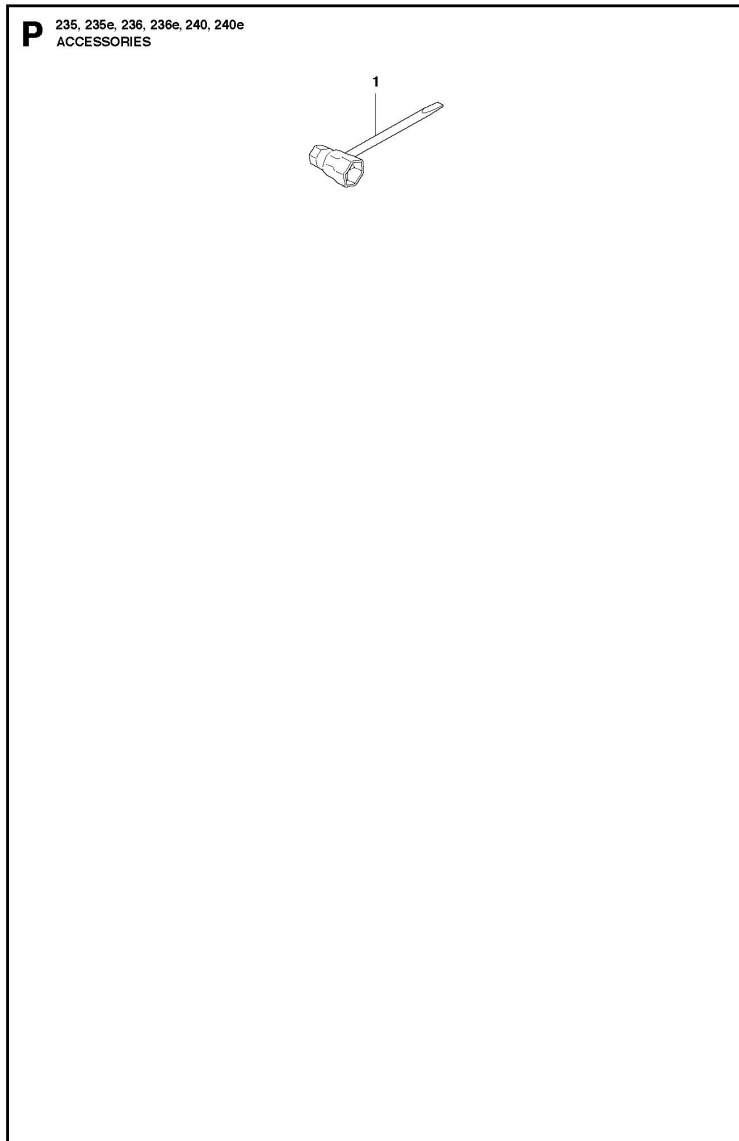
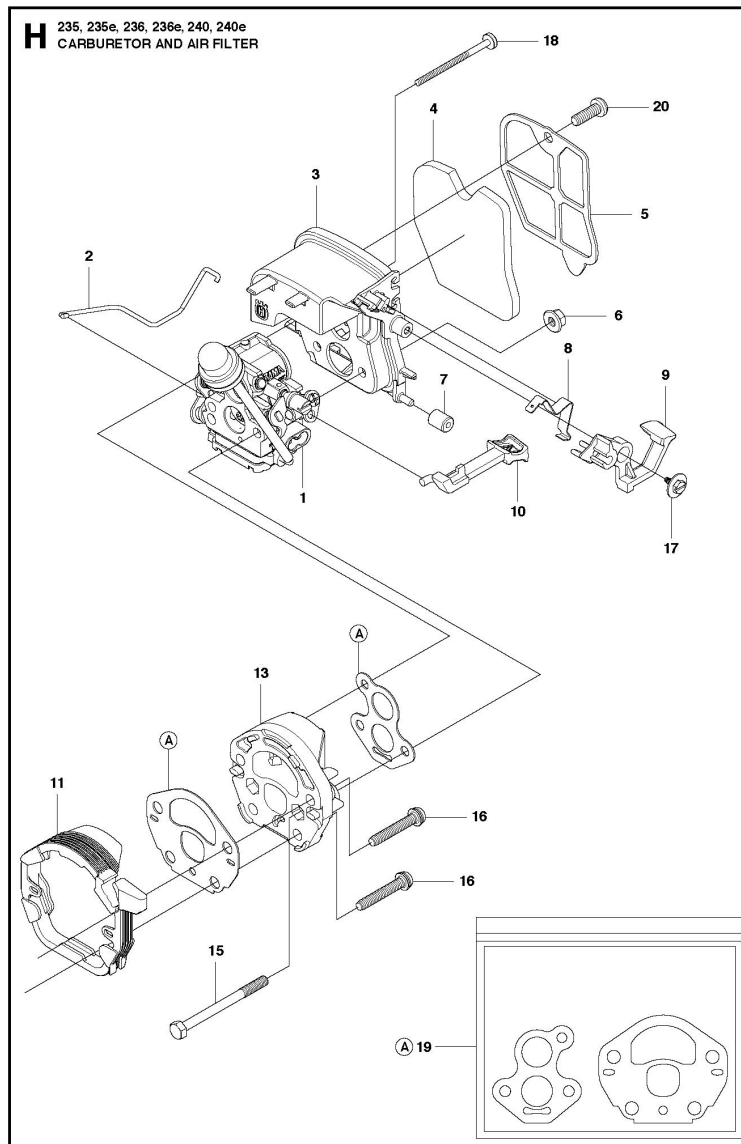


ACCESSORIES



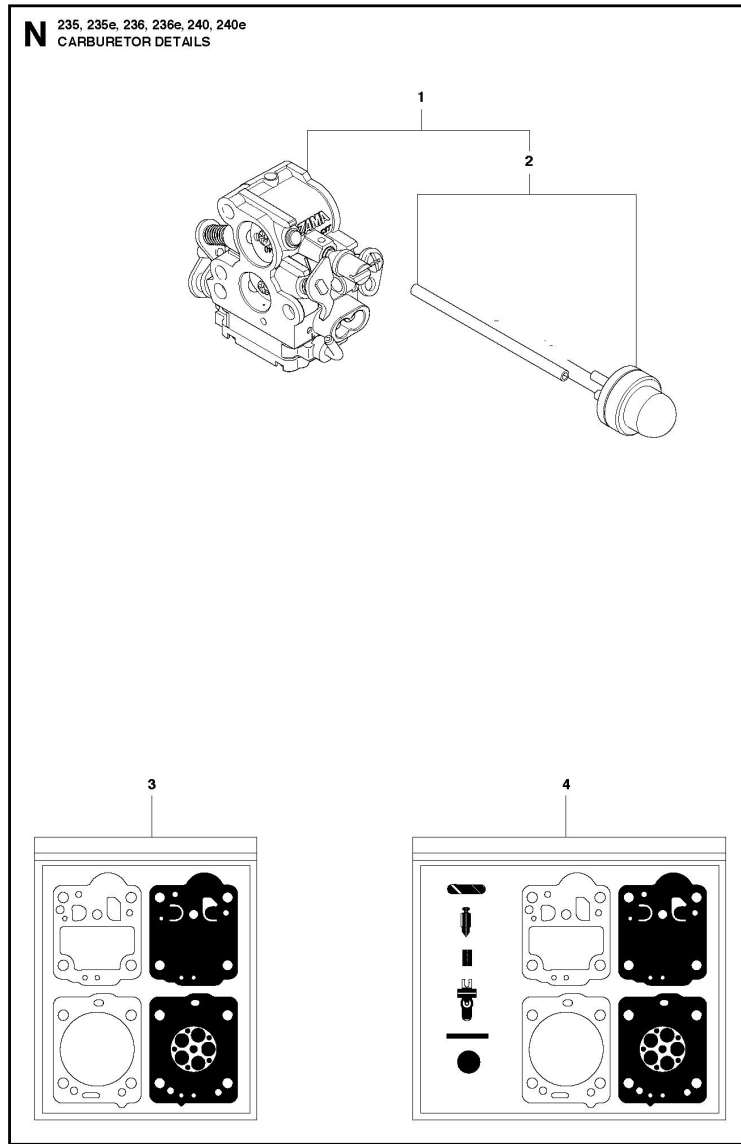
Ref	Part No.	Description	QTY	KIT
1	530 03 11-35	WRENCH	1	

CARBURETOR & AIR FILTER



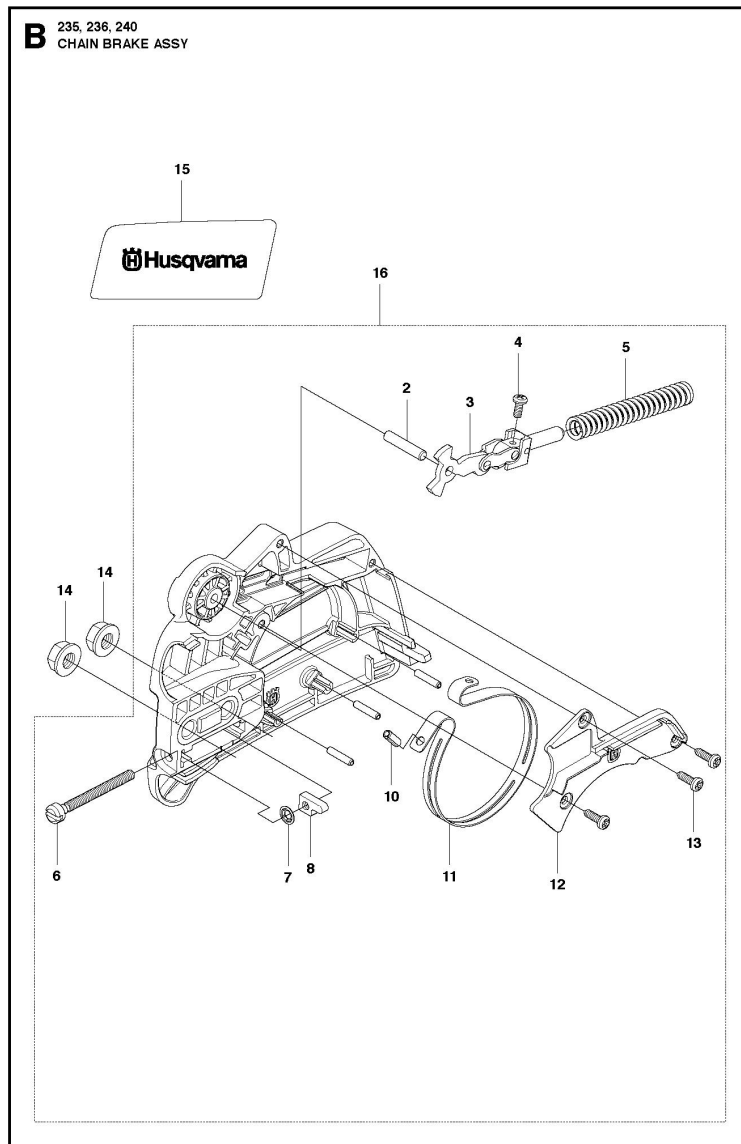
Ref	Part No.	Description	QTY	KIT
1	574 71 94-02	CARBURETOR	1	
2	545 06 28-01	THROTTLE WIRE	1	
3	545 06 21-01	FILTER HOUSING	1	
4	545 06 18-01	AIR FILTER	1	
5	545 15 18-01	FILTER PLATE	1	
6	530 01 61-01	NUT	2	
7	545 06 19-01	ISOLATOR FILTER HOUSING	1	
8	545 06 34-01	SWITCH. SPRING	1	
9	545 06 17-01	SWITCH LEVER	1	
10	545 06 16-01	CHOKE KNOB	1	
11	545 06 15-01	CARB ADAPTOR SEAL	1	
13	545 16 98-01	ADAPTER	1	
15	545 03 37-01	STUD-CARBURETOR	2	
16	545 15 83-01	CARB ADAPTOR SCREW	4	
17	530 01 60-80	SCREW	1	
18	545 07 49-01	TOP STUD-CARBURETOR	1	
19	545 08 18-92	GASKET KIT	1	
20	530 01 63-49	SCREW	1	

CARBURETOR DETAILS



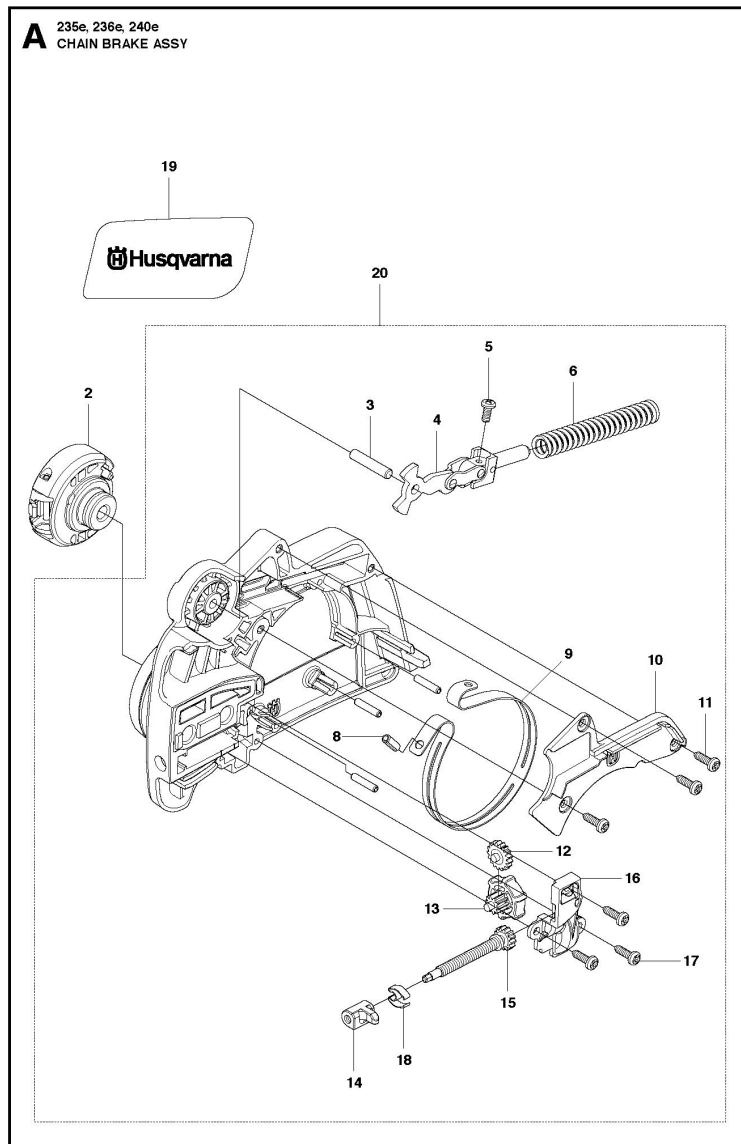
Ref	Part No.	Description	QTY	KIT
1	574 71 94-02	CARBURETOR	1	
2	545 00 80-30	PURGE AND LINE ASSEMBLY	1	1
3	545 00 80-31	KIT	1	
4	545 00 80-32	KIT	1	

CHAIN BRAKE



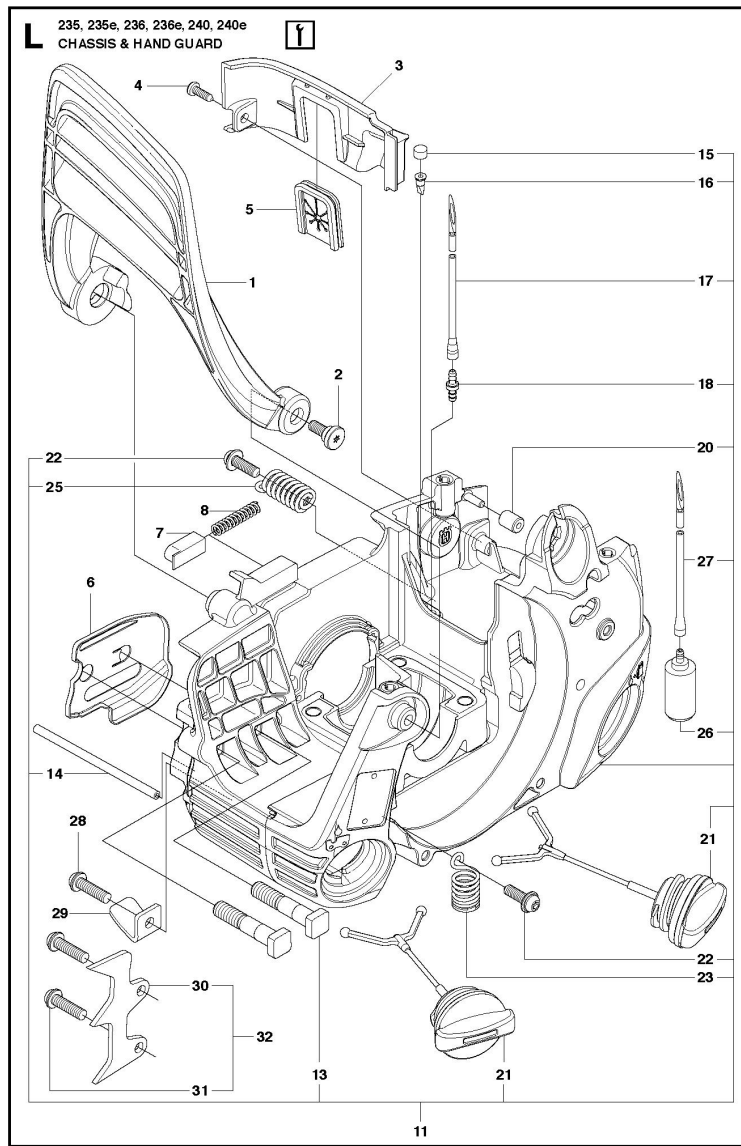
Ref	Part No.	Description	QTY	KIT
2	530 05 79-50	PIN. DOWEL	1	16
3	530 05 79-40	ASSY. FRONT LINK	1	16
4	530 01 59-11	SCREW	1	16
5	530 01 64-15	SPRING COMPRESSION	1	16
6	530 01 61-10	SCREW	1	16
7	530 03 85-93	RETAINER	1	16
8	530 01 58-26	SCREW	1	16
10	530 01 59-13	SCREW	1	16
11	530 05 79-23	BRAKE BAND	1	16
12	545 07 10-01	COVER. BRAKE BAND	1	16
13	545 22 71-01	SCREW	3	16
14	530 01 59-17	NUT	2	
15	545 11 87-01	DECAL	1	
16	525 62 89-01	CHAIN BRAKE ASSY	1	

CHAIN BRAKE



Ref	Part No.	Description	QTY	KIT
2	545 14 64-01	ASSEMBLY KNOB EZT	1	
3	530 05 79-50	PIN. DOWEL	1	20
4	530 05 79-40	ASSY. FRONT LINK	1	20
5	530 01 59-11	SCREW	1	20
6	530 01 64-15	SPRING COMPRESSION	1	20
8	530 01 59-13	SCREW	1	20
9	530 05 79-23	BRAKE BAND	1	20
10	545 07 10-01	COVER. BRAKE BAND	1	20
11	545 22 71-01	SCREW	3	20
12	545 06 02-01	GEAR IDLER	1	20
13	525 88 42-01	ASSEMBLY	1	20
14	574 20 17-01	PIN	1	20
15	545 06 59-01	ASSY ADJUSTER SCREW	1	20
16	545 05 92-01	COVER. GEAR	1	20
17	545 22 71-01	SCREW	3	20
18	545 14 93-01	CLIP	1	20
19	545 11 86-01	DECAL	1	
20	525 61 14-01	CHAIN BRAKE	1	

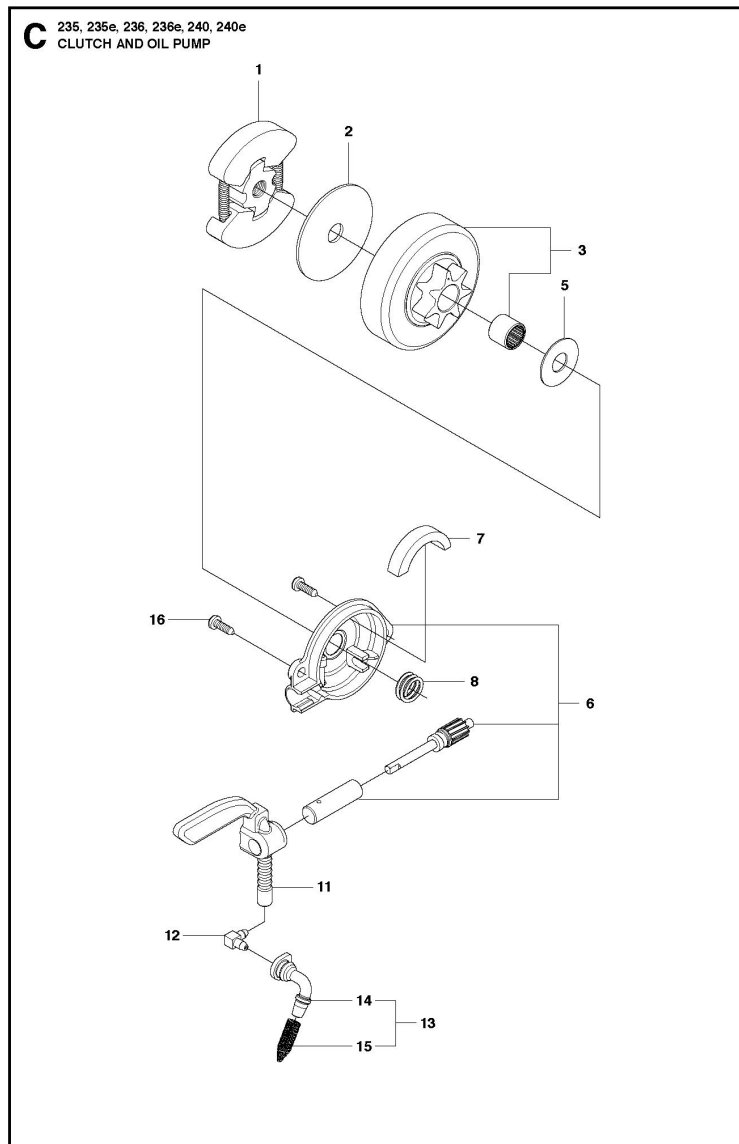
CHASSIS & HAND GUARD



Ref	Part No.	Description	QTY	KIT
1	574 38 33-01	HAND GUARD	1	
2	545 12 73-01	BOSS SCREW. HANDGUARD	1	
3	545 06 12-01	REAR WALL	1	
4	545 22 71-01	SCREW	1	
5	545 07 54-01	GROMMET	1	
6	545 07 14-01	PLATE BAR MOUNTING	1	
7	545 07 13-01	CAP. SPRING HANDGUARD	1	
8	545 07 12-01	SPRING. HANDGUARD POSITION	1	
11	545 23 00-01	CHASSIS	1	
13	529 31 03-01	BOLT	2	11
14	545 03 35-01	HOSE	1	11
15	530 02 98-68	PLUG	1	11
16	530 02 61-19	CHECK VALVE	1	11
17	530 02 11-32	LINE-RETURN PURGE	1	11
18	530 02 38-77	NIPPLE	1	11
20	545 06 19-01	ISOLATOR FILTER HOUSING	1	11
21	545 07 08-01	ASSY-OIL/FUEL CAP W/RET.	2	11
22	530 01 59-06	SCREW	2	11

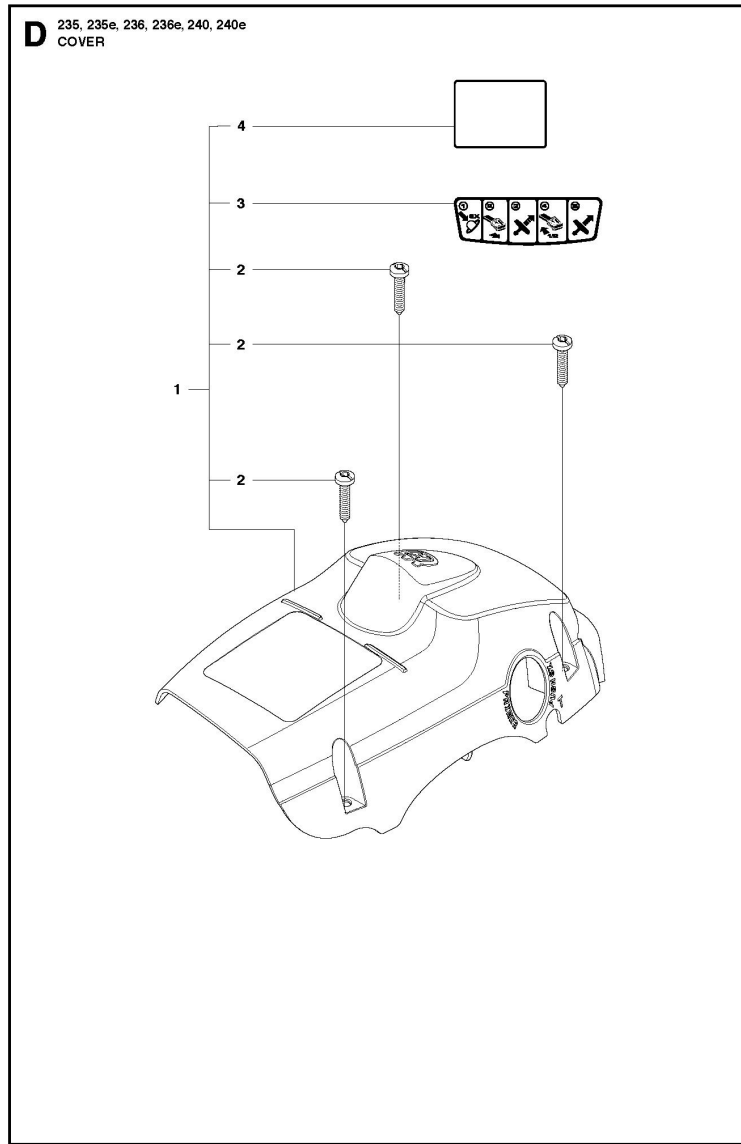
Ref	Part No.	Description	QTY	KIT
23	545 03 38-01	ASS Y FRONT ISOLATOR	1	11
25	545 06 31-01	REAR ISOLATOR SPRING	1	11
26	530 09 56-46	FILTER	1	11
27	545 07 83-02	LINE. FUEL	1	11
28	530 01 58-14	SCREW	1	
29	530 02 98-50	CHAIN CATCHER	2	
30	530 03 89-90	FELLING DOG	1	32
31	530 01 64-39	SCREW	2	32
32	530 01 43-81	FELLING DOG	1	

CLUTCH & OIL PUMP



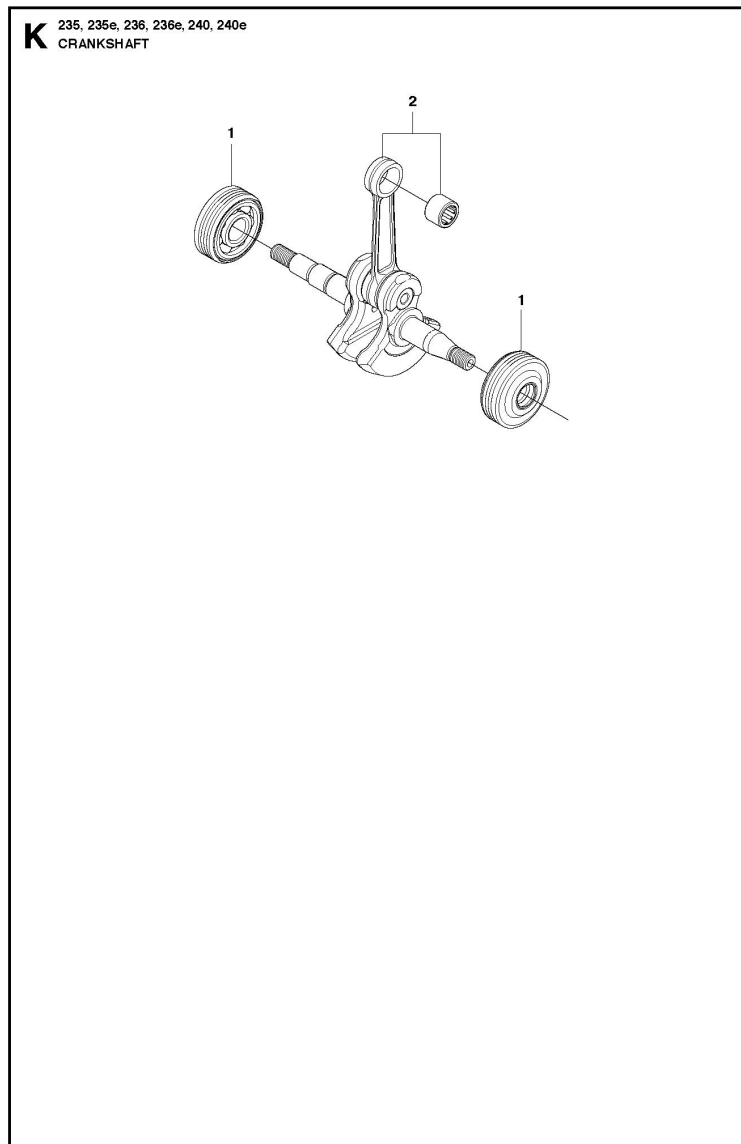
Ref	Part No.	Description	QTY	KIT
1	530 01 49-49	CLUTCH	1	
2	530 01 56-11	WASHER	1	
3	530 04 70-61	CLUTCH DRUM	1	
3	530 04 81-32	CLUTCH DRUM	1	
5	530 01 59-07	WASHER	1	
6	574 71 93-01	ASSEMBLY	1	
7	525 31 84-01	DUST SEAL	1	
8	530 03 78-20	PINION	1	
11	545 22 75-01	BLOCK	1	
12	530 04 94-77	ELBOW	1	
13	545 06 95-01	PICK UP ASSEMBLY OIL TANK	1	
14	545 06 94-01	SEAL	1	13
15	530 05 65-33	SCREEN	1	13
16	545 22 71-01	SCREW	2	

COVER



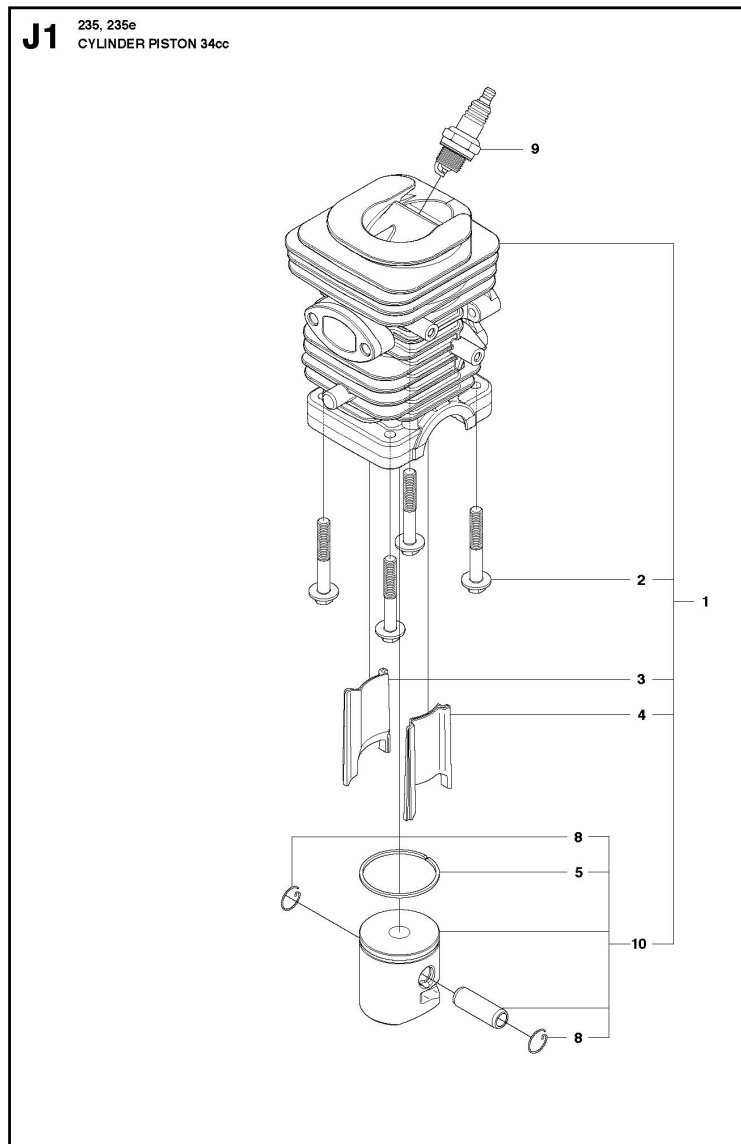
Ref	Part No.	Description	QTY	KIT
1	576 54 32-01	KIT	1	
2	574 32 06-01	SCREW	3	1
3	545 11 65-02	DECAL	1	1
4	545 16 59-57	WARNING SIGN	1	1

CRANKSHAFT



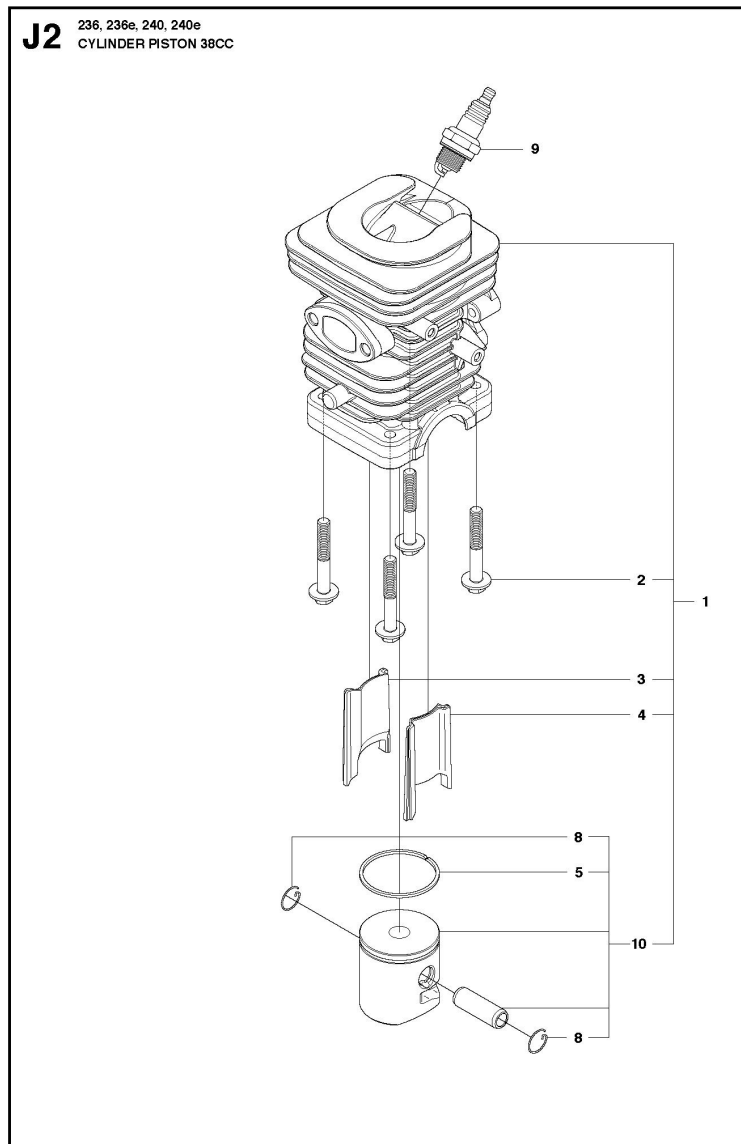
Ref	Part No.	Description	QTY	KIT
1	576 24 39-01	ASSEMBLY	2	
2	574 44 94-01	ASSEMBLY	1	

CYLINDER PISTON 34CC



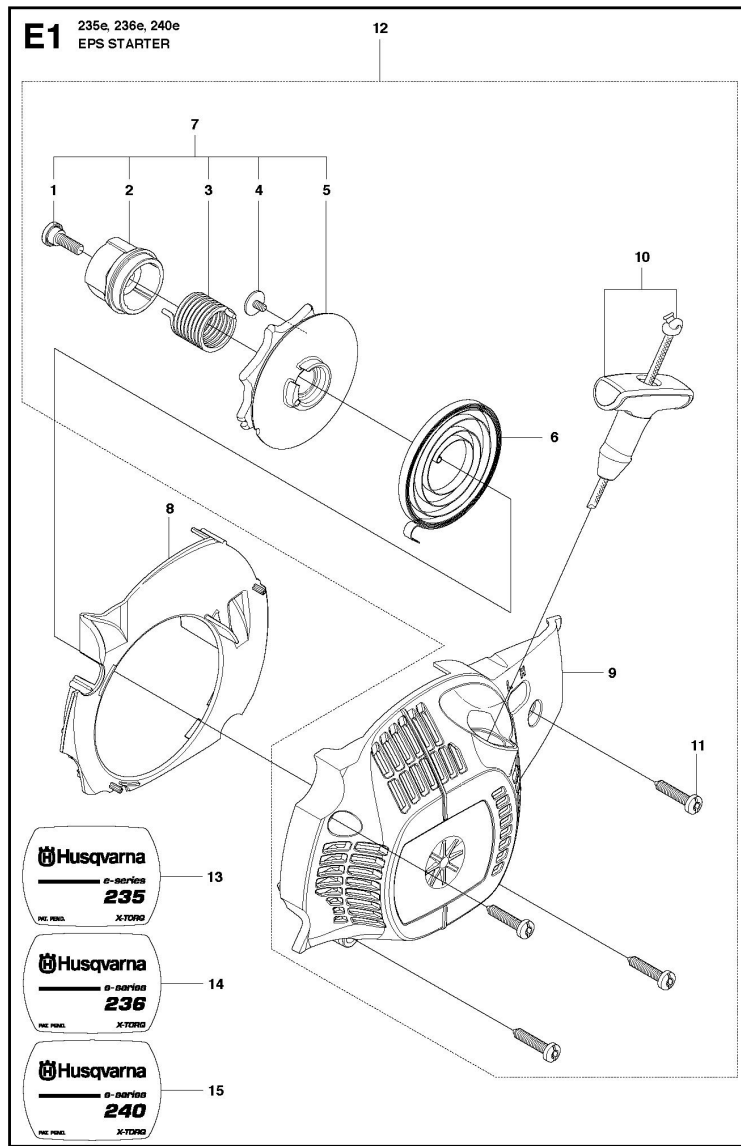
Ref	Part No.	Description	QTY	KIT
1	545 05 04-18	KIT	1	
2	545 08 15-01	BOLT	4	
3	545 10 15-01	TRANSFER INSERT LEFT 34C	1	
4	545 10 14-01	TRANSFER INSERT RIGHT 34CC	1	
5	545 10 17-01	PISTON RING	1	10
8	530 01 56-97	LOCKING RING	2	10
9	503 23 51-08	SPARK PLUG	1	
10	545 08 18-93	KIT	1	

CYLINDER PISTON 38CC



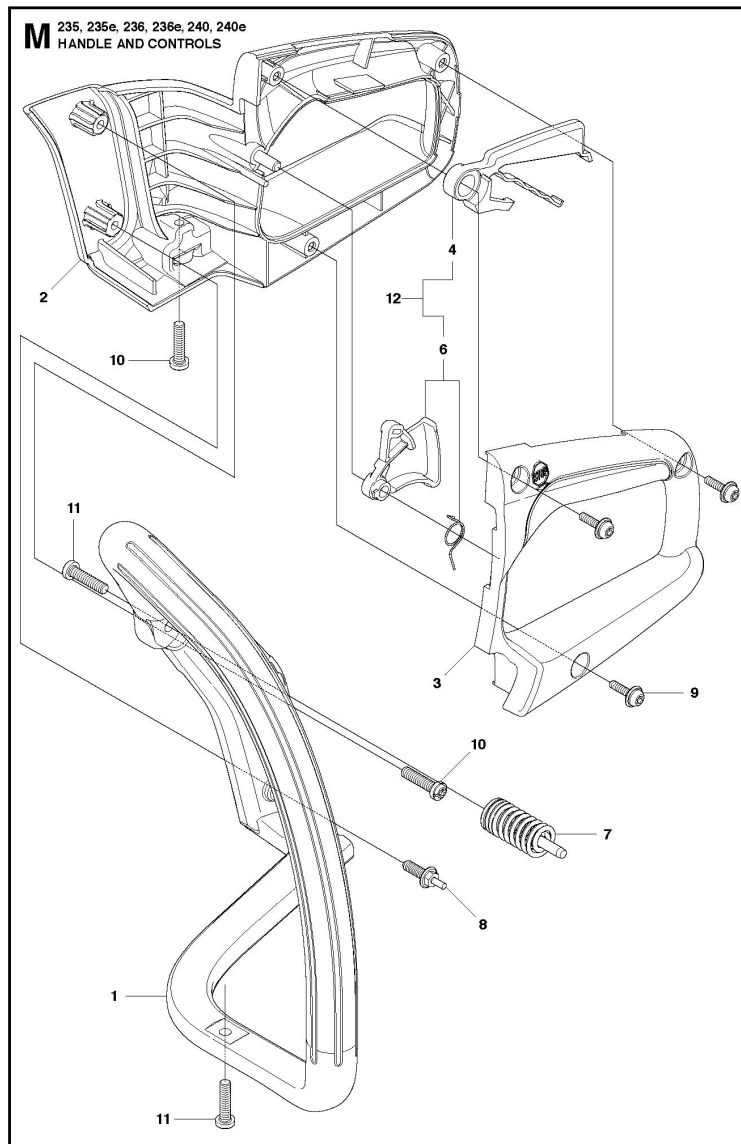
Ref	Part No.	Description	QTY	KIT
1	545 05 04-17	KIT	1	
2	545 08 15-01	BOLT	4	
3	574 19 09-01	INSERT	1	
4	574 19 08-01	INSERT	1	
5	530 01 26-08	PISTON RING	1	10
8	530 01 56-97	LOCKING RING	2	10
9	503 23 51-08	SPARK PLUG	1	
10	545 08 18-94	KIT	1	

EPS STARTER



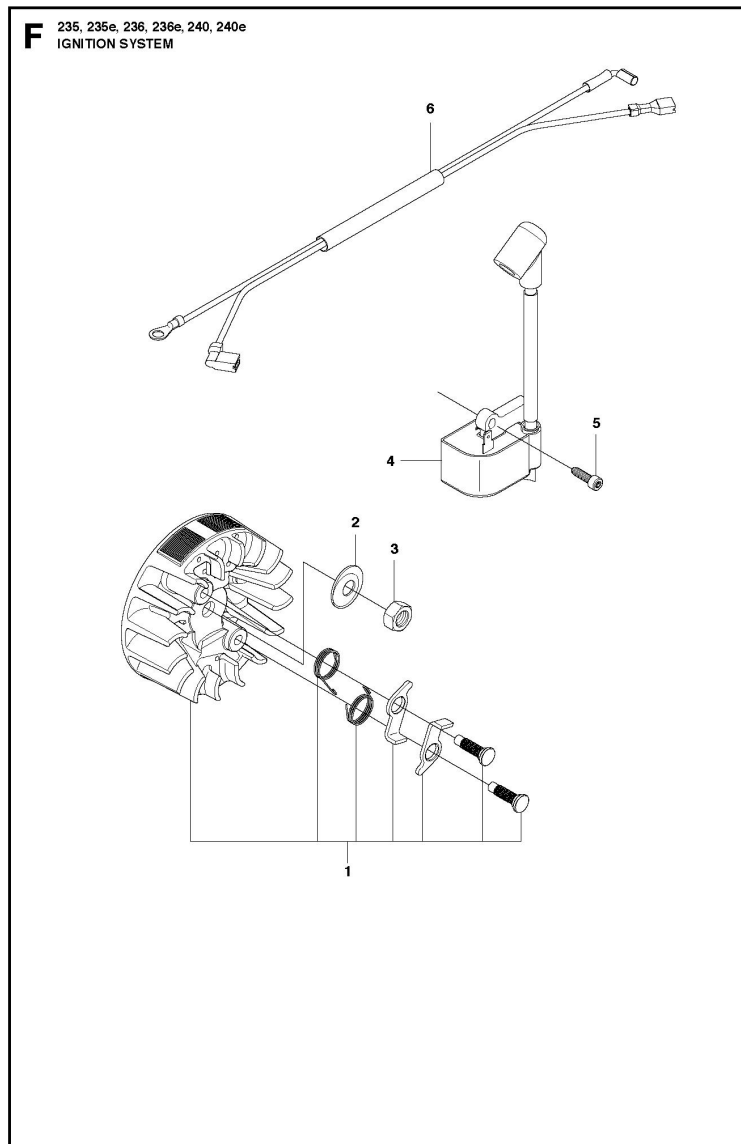
Ref	Part No.	Description	QTY	KIT
1	530 02 11-79	SCREW	1	7,12
2	530 05 96-77	SLEEVE	1	7,12
3	530 02 11-80	SPRING	1	7,12
4	530 01 60-80	SCREW	1	7,12
5	545 05 82-01	PULLEY	1	7,12
6	530 04 20-95	SPRING	1	12
7	530 07 19-66	STARTER PULLEY	1	12
8	545 06 38-01	BAFFLE	1	
9	545 06 37-01	FAN HOUSING	1	12
10	545 01 00-10	HANDLE & ROPE ASSY	1	12
11	530 01 64-32	SCREW	4	12
12	545 00 80-24	KIT	1	
13	545 11 85-02	DECAL	1	
14	575 72 97-01	DECAL	1	
15	545 11 85-01	DECAL	1	

HANDLE & CONTROLS



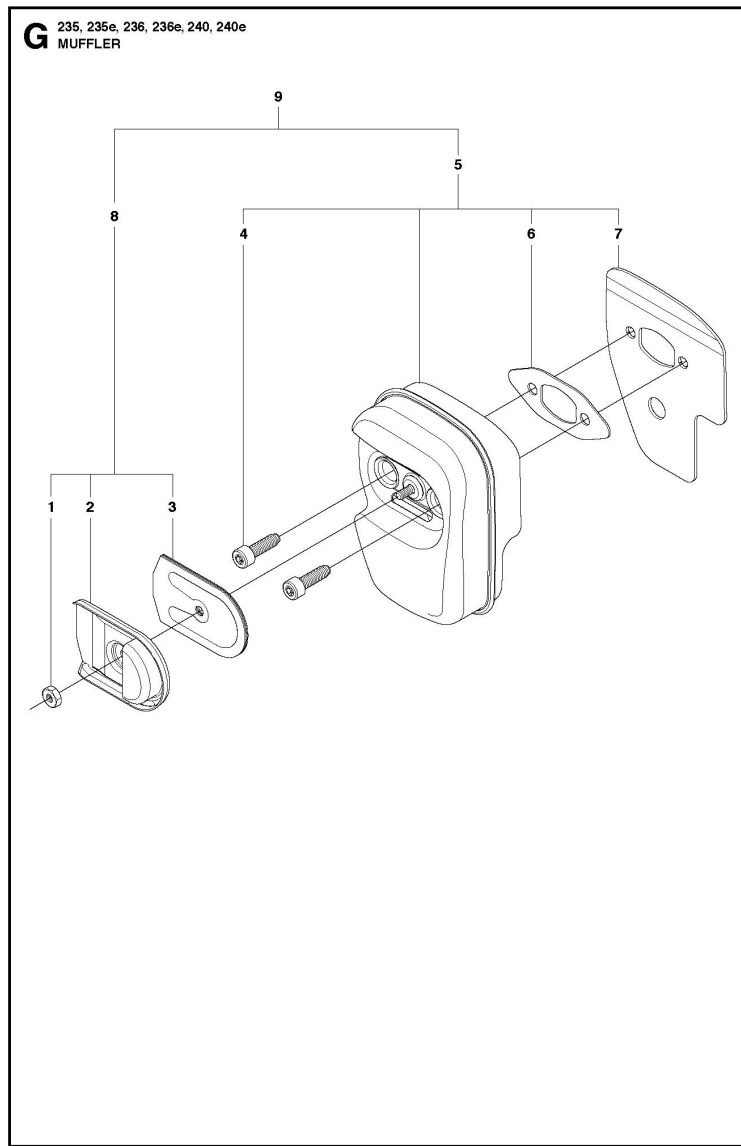
Ref	Part No.	Description	QTY	KIT
1	545 06 24-01	FRONT HANDLE	1	
2	545 06 22-02	REAR HANDLE W/OVMLD 240E	1	
2	545 06 22-01	REAR HANDLE	1	
3	545 06 23-02	REAR HANDLE COVER W/OVMLD 240E	1	
3	545 06 23-01	REAR HANDLE COVER 235/235E	1	
4	545 06 26-01	LOCKOUT- THROTTLE	1	12
6	545 12 15-01	ASSY TRIGGER & SPRING	1	12
7	545 03 39-01	ISOLATOR	1	
8	545 07 63-01	ISOLATION LIMITER SCREW	1	
9	530 01 64-33	SCREW	3	
10	530 01 63-49	SCREW	2	
11	530 01 64-32	SCREW	2	
12	545 08 10-13	KIT	1	

IGNITION SYSTEM



Ref	Part No.	Description	QTY	KIT
1	530 03 91-47	FLYWHEEL ASSY	1	
2	530 01 51-27	WASHER	1	
3	530 01 61-34	NUT	1	
4	545 19 99-01	IGNITION MODULE	1	
5	545 12 19-01	SCREW	2	
6	545 07 99-01	ASSY- WIRE HARNESS	1	

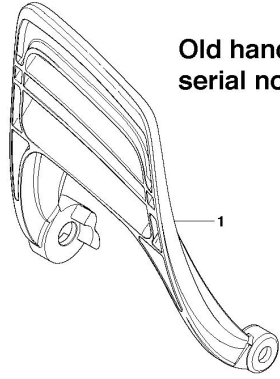
MUFFLER



Ref	Part No.	Description	QTY	KIT
1	574 26 64-01	NUT	1	8,9
2	545 07 69-01	EXHAUST PLATE	1	8,9
3	545 16 74-01	SCREEN	1	8,9
4	530 01 63-38	BOLT	2	5,9
5	545 03 27-01	MUFFLER	1	9
6	530 05 48-84	MUFFLER GASKET	1	5,9
7	545 06 69-01	MUFFLER BACK PLATE	1	5,9
8	545 00 80-27	KIT	1	9
9	545 18 08-43	MUFFLER	1	

SERVICE UPDATE

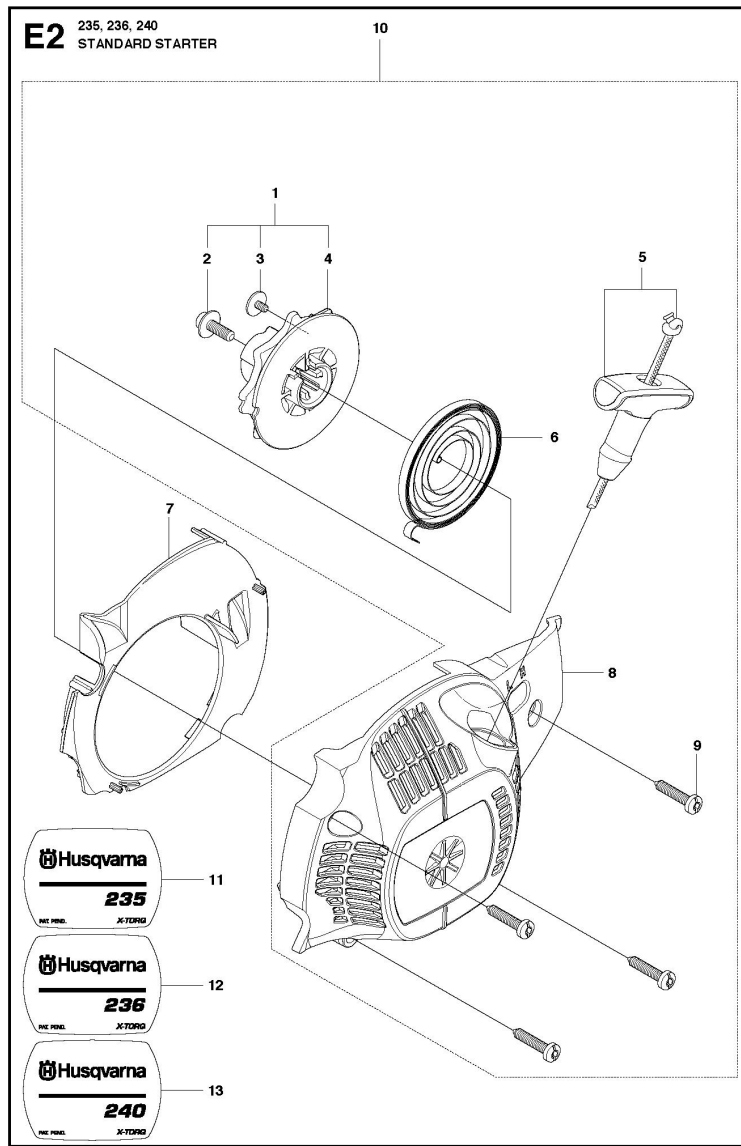
Q 235, 235e, 236, 236e, 240, 240e
SERVICE UPDATE



Old hand guard up to
serial no. 2009389999

Ref	Part No.	Description	QTY	KIT
1	545 06 67-01	HANDGUARD	1	

STANDARD STARTER



Ref	Part No.	Description	QTY	KIT
1	545 00 80-28	KIT	1	
2	530 01 59-20	SCREW	1	1,1
3	530 01 60-80	SCREW	1	1,1
4	530 05 78-90	STARTER PULLEY	1	1,1
5	545 01 00-10	HANDLE & ROPE ASSY	1	10
6	530 04 20-95	SPRING	1	10
7	545 06 38-01	BAFFLE	1	
8	545 06 37-01	FAN HOUSING	1	10
9	530 01 64-32	SCREW	4	10
10	545 00 80-25	KIT	1	
11	545 11 85-03	DECAL	1	
12	575 73 03-01	DECAL	1	
13	545 16 59-47	DECAL	1	