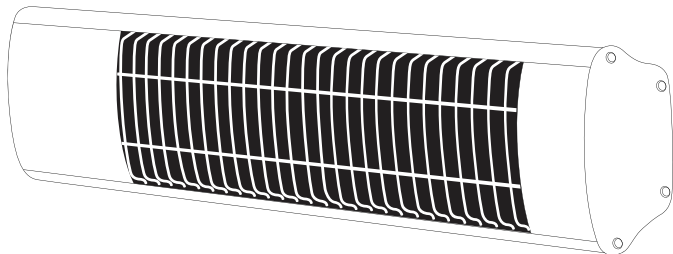




Instruction manual Руководство по эксплуатации

*Инфракрасный
электрический
обогреватель*

*Electric
ceiling heater
(infrared heater)*



Модели/Models:

TIR HP1 1500
TIR HP1 1800

Руководство по эксплуатации включает в себя гарантийный талон

Outlook of devices, also colour scores can be revised without any special advance notices.

Производитель вправе менять внешний вид прибора и цветовую гамму прибора без специального уведомления.

Dear customer!

Thank you for good choice and purchase of the **TIMBERK** infrared heater. It will serve long.

Electric infrared heater TIMBERK is designed for general, additional or local heating of living and production premises, and also can be used outdoors. The heater can be installed on the ceiling, ceiling constructions, wall, rack mounting horizontal arrangement of a longitudinal axis. In places where it is possible to connect to the electrical wiring with single-phase power supply to 220V~, 50Hz. This heater is effective and efficient in use in connection with the minimal losses of electricity.

1. IMPORTANT INFORMATION

Please carefully read the Operation Manual before using the infrared heater.

This Operation Manual contains the important information on your safety, as well as some recommendations on proper use of the appliance and its maintenance.

Keep the Operation Manual along with the warranty certificate, sales receipt, and, if possible, cardboard package and packing material.

The purchased infrared may somewhat differ from one described in the Manual, but this does not affect the methods of use and operation.

Important precautions and instructions given in this Manual do not include all possible modes and situations, which can be encountered. It is necessary to understand that common sense, cautiousness, and carefulness are the factors, which cannot be «integrated» to any product.

These factors should be considered by the person, who is interested in proper operation of the device. The manufacturer is not responsible for damage of the appliance or its components during transportation, as a result of incorrect installation, as a result of voltage surges, as well as in the event of changes or modifications in any part of the appliance.



WARNING!

This heater is not equipped with a device to control the room temperature. Do not use this heater in small rooms when they are occupied by persons not capable of leaving the room on their own, unless constant supervision is provided.

After the heater is fixed on the base and poles, the heater must be at least 1.8 meter above the ground.

2. PRECAUTIONS

During use of the infrared heater, it is necessary to observe some precautions. Improper operation with disregard of precautions may result in infliction of harm to health of the user and other people, as well as in infliction of damage to their property.

1. Read all instructions before using the heater.
2. The temperature of the safety grille and body at the heater can reach very high values. To avoid burns, do not touch the hands and other body parts to the surfaces of the device, as well as prevent the ability to touch, including accidental person in the heater through training and the placement of the device in a safe place.
3. The heater should be placed far from flammable and easily deformable objects.
4. The device is not equipped with the device temperature adjustment. Do not use the device in small rooms, when they are people or animals who cannot leave on their own.
5. The power cord and other objects should not contact hot surfaces of the heater.
6. Make sure that the heater body and its radiating boards get cold before demounting and placing the heater to the package for long storage.
7. During demounting of the heater or its movement, take special precautions to exclude hits of the appliance and its falling.
8. When the heater is not used for a long time, keep it in dry cool place in the factory cardboard package.
9. DO NOT COVER the heater. Do not dry clothes and any other fabrics/materials on the appliance. This may lead to its overheating, breakdown, or

infliction of a significant damage to you and/or your property.



IMPORTANT!

The manufacturer considers this type of failure a non-guaranteed event.

10. The heater should be connected to the electric mains equipped with an automatic circuit breaker.

11. If you plan to use the device in the bathroom or rooms with high humidity, it must be installed so that the user could not touch the appliance, including by accident. The device should not be exposed directly to water stream or direct ingress of moisture on the instrument housing.

12. Never try to repair the heater yourself. This may inflict harm to your health and affect the warranty service of the appliance.

13. Do not use this device in the place of permanent location of the animals or plants.

14. It is prohibited to use a heater near inflammable, easily deformable items and/or substances.

15. Exclude operation of the heater without grounding.

16. Do not leave the appliance unattended during its operation.

17. Throughout enable and use the heater with the removed elements of the enclosure.

18. Do not operate any appliance with a damaged cord or plug. A damaged power cord must be replaced by an authorized service center for the manufacturer.

19. It is prohibited to use the heater in dusty rooms and during redecoration.

20. During operation of the device is forbidden to touch the case and its protective grille.

21. Use the heater only as described in this Manual. Any other use not recommended by the manufacturer may lead to fire, electric shock, or injuries of people.

22. Never clean the heater, when it is connected to the electric mains, and do not wipe the heater radiating boards with flammable liquids during its operation.

23. For normal operation of the heater, the mains voltage should be sufficient and the mains specifications should strictly correspond to the

technical parameters indicated on the appliance body. If necessary, clarify the specifications of your mains from the electricity supplier.

24. Install and operate the heater with horizontal arrangement of a longitudinal axis on the ceiling, ceiling constructions, wall. The thermal resistance of the material shall be not less than 80 °C.

25. It is prohibited to install the appliance in immediate proximity to an electric socket. This may result in its overheating causing an emergency situation.

26. The appliance is not designed for use by people (including children) with limited physical, sensory, or mental capabilities and having insufficient experience/knowledge, if they are not supervised and instructed on use of the device by a person responsible for their safety.

It is necessary to watch that children do not play with the heater.

3. WORKING PARAMETERS

Operation principle

The infrared heater is an appliance with an electric heating element and radiating boards, which upon heating emit heat to the environment via directed infrared radiation. Radiant energy is absorbed by the surrounding surfaces and it heats them being transformed to thermal energy.

Surface temperature of objects can be different depending on their absorbing properties (surface color, material), incidence angle of infrared beams, surface shape and area. Surfaces also release some heat to air. At that, heated air flows up to the ceiling and gradually cools down. As a result, air temperature at the head level of a standing person appears below the floor temperature by 1-2 °C.

Main features

1. Significant economic effect as compared to convectional heating, where heat is significantly consumed for heating of unused roof space (first, air is heated throughout the room volume, and then air heats objects and surfaces in the room).

2. Capability of local heating only for those areas in the room, where it is necessary, without heating of the whole room volume.

3. Low air temperature in the room at comfortable temperature on surfaces of objects, floor, and walls creates the freshness effect air is not dried up.

4. Low convection (thermal movement of air volumes) reduces amount of dust kicked up from the floor.

5. High protection class of the device (IP65) allows to apply the device in

environments with the most adverse conditions.

6. The possibility of using the device in a portable rack. (Portable stand comes separately as accessory)

Area of application

Infrared heaters are designed for general, additional, and local heating of industrial, production, utility, and similar rooms (flats, offices, trade enterprises, exercise rooms, educational institutions, public catering enterprises, storage facilities, hangars, agricultural facilities, etc.) and can be used outdoors.

Technical specifications

Table 1.

Parameter	Meas. units	Item	
		TIR HP1 1500	TIR HP1 1800
Rated power consumption	W	1500	1800
Rated current	A	6,8	8,2
Rated voltage	V/Hz	220~/50	220~/50
Water protection class	-	IP65	IP65
Electric protection class	-	Class I	Class I
Heating area	m ²	14-16	17-19
Rated suspension height	m	2,0	2,2
Weight	kg	2,4	2,6
Dimensions	mm	133x558x88	133x658x88

For more detailed description of technical parameters and specifications please refer to our website www.timberk.com or ask from the official dealers of TIMBERK.



IMPORTANT!

The manufacturer reserves the right to change the set-list of the device (including liquid and powder components) for different supplies without prior notice. The changes either in no way influence the basic technical parameters of the device or may improve them, and also not violate the legislation or quality standards of the countries of manufacture, transit and selling.

The changes in the set-list may result in changing of the weight and dimensions of the device, but not more than by +/- 5-20% (depending on the product category)



NOTE:

Heated area in the table is indicated for reference, since it depends both on the heater power, and on room type, ceiling height, wall/ ceiling materials, number and area of glazing, presence of doors, etc.

4. INFRARED HEATER DESCRIPTION

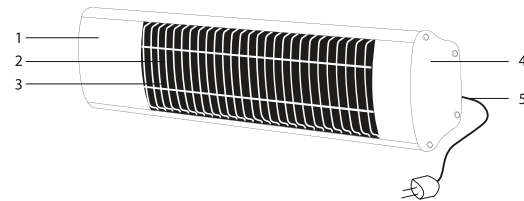


Fig.1

Infrared Heater description

1. Heater body
2. Protective grille
3. Heating element
4. Cover
5. Power cord and plug

5. DELIVERY SET

1. Infrared heater – 1 pcs
2. Fasteners kit – 1 pcs
3. Operation manual – 1 pcs
4. Warranty certificate – 1 pcs
5. Package – 1 pcs



NOTE:

To improve the product quality, the design and technical specifications of the infrared heater, as well as its delivery set can be modified by the manufacturer without preliminary notification.

6. INSTALLATION



WARNING!

Mounting of the infrared heater and its connection to the electric mains should be carried out only by qualified specialists according to the Electrical Installation Regulations and Power System Safety Standards.

1. Expand the original packaging and carefully remove the heater
2. Remove the mounting kit
3. Collect the installation wall mount holes as shown in Fig. 2
4. Connect the hardware to the instructions shown in Fig. 3, 4, 5
5. Hang the heater on the smooth surface of the wall with the observance of the distance specified in item 6.1. Make sure that the mounting screws firmly fastened
6. If necessary, install the heater, bracket, follow the instructions shown on Fig. 6, 7, 8, 9 and specified in item 6.3



NOTE:

Depending on material and design of ceiling structural elements, the heater is secured onto appropriate fasteners chosen on basis of the strength condition. Strength of the ceiling or structural elements, to which the heater is secured, should be sufficient to endure 5-fold weight of the heater.

6.1 Safe distances required for installation

1. Never install the unit on the surface of plastic, nylon, cardboard and other
2. After installing the unit, the distance from the floor should not be less than 1.8 meters
3. Distance from a wall to a device must be at least of 0.65 meters
4. The distance from the device to a ceiling should be no less than 0.3 meters
5. The distance from the protective grille device to easily flammable (cloth, paper, plastic and other) and combustible materials must be at least 1.5-2 meters
6. The distance from the device to find the man should be not less than 1 meter

6.2 Installation of the heater using the wall fasteners

Table 2.

No	Parts name	Specification	Qty
1	Screw	M6x20	1
2	Bracket set	Aluminum	1
3	Expansion bolt	M6x60	2
4	Hanger	STEEL	1
5	Bolt	M8x60	1
5A	Nut	M8	1

On Fig. 2, 3, 4, 5 shows stepwise instructions on assembly and installation of wall fasteners for infrared heater.

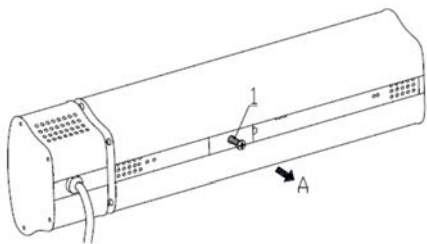


Fig. 2

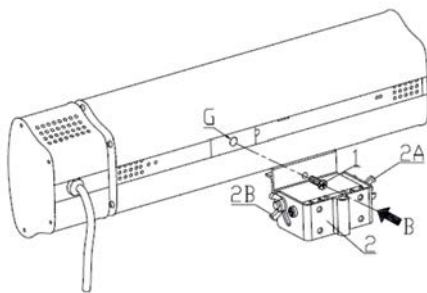


Fig. 3

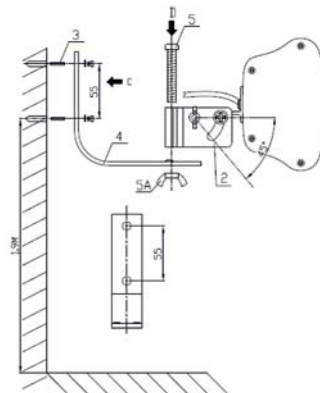


Fig. 4

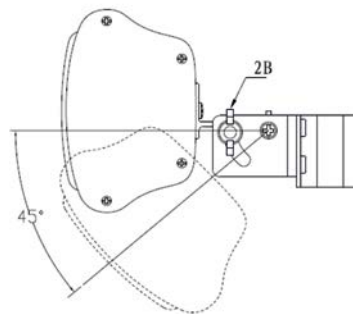


Fig. 5

6.3 Installing the infrared heater on a portable rack

Table 3.

Series	Parts name	Specification	Qty
1	Screw	M6x20	1
2	Bracket set	Aluminum	1
3	Expansion bolt	M6x60	2
4	Hanger	Steel	1
5	Bolt	M8x60	1
5A	Nut	M8	1
6	Nut	M6	4
7	Bracket 3	Aluminum	1
8	Bolt	M6x10	12
9	Telescopic tube set	Steel	1
10	Telescopic tube	Steel	1
11	Telescopic tube	Steel	1
12	Base	Plastic	1
13	M8 bolt	L shpae	1
14	Fixing plate	Steel	1
15	Base cover	Steel	1
16	Bolt	M6x50	3
17	Spring washer	$\Phi 6.2 \times \Phi 8.2 \times 1$	3
18	Washer	$\Phi 6.2 \times \Phi 14 \times 1$	3
19	Decorative cover	Steel	1
20	Hex wrench	Steel	1
21	wire holder	PA	2
22	Telescopic tube cover	Silicone	1

On Fig. 6, 7, 8, 9 shows stepwise instructions on assembly and installation of infrared heater on the mobile rack.

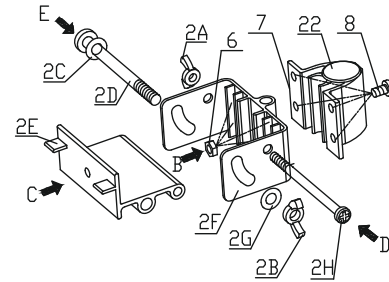


Fig. 6

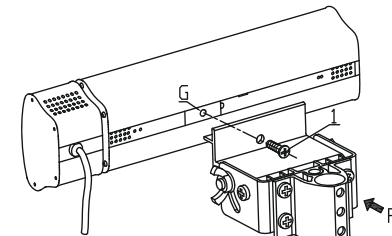


Fig. 7

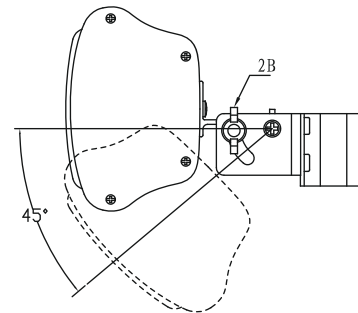


Fig. 8

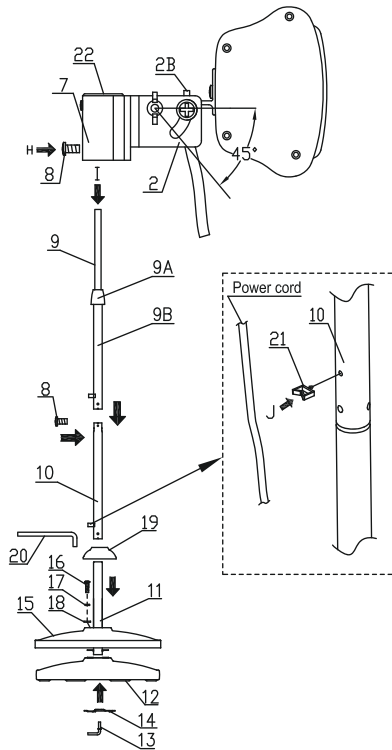


Fig. 9



WARNING!

After installation of the heater and before switching for the first time, it is necessary to wipe the radiating board with alcohol. After that, it is PROHIBITED to touch the radiating board.

Connection to electric mains

1. The patio heater is designed to be connected to 220V~, 50Hz single-phase voltage mains with a grounding circuit.
2. Prior to connection make sure that parameters of electric mains in the place of connection comply with parameters, indicated on the identification plate with technical data of the unit.
3. It is necessary to follow active electrical safety precautions, connecting the convector to electric mains.
4. An electric outlet must be properly grounded. The outlet must be designed for rated current not less than 16A for models with maximum power up to 2000W. Electric outlet and plug must always stay dry to prevent current leakage. Regularly check if the electric plug is tightly connected to the outlet. It must be done in the following order: connect an electric plug into an outlet, after half hour operation turn off the patio heater and disconnect the plug from the outlet, check if the plug is heated by your hand. If the plug heated over 50°C then replace the outlet by a new one to prevent damages, incidents, fire as a result of bad electric contact. A specialist must do the job.

7. OPERATION OF THE INFRARED HEATER



WARNING!

Warning! Please connect the cable with an industrial plug rated 3P 230V~ 16A IP67 of IEC 60309-2

1. Before switching on the heater, ensure that no moisture on the device and on the heating element.
2. After the first turn the heater on may appear briefly burnt smell. This

is normal. If the smell persists for a long time, immediately disconnect the heater from the electric power supply and contact your service representative.

3. To exclude the appearance of burnt smell when using the heater in the future it is recommended to keep it clean, preventing the accumulation of dust on it.

4. Within several minutes after switching on the heater to the heating element may appear black dots. This is normal and does not affect the operation of the device.

5. Not recommended for long look at heater heating element, this can cause deterioration and damage to health.



WARNING!

Slight crackles may be heard during operation at the moment of heating or cooling, which disappear, when the heater reaches the working mode.

8. MAINTENANCE

1. During operation, it is necessary to periodically (once a year) check the electric cable contacts and terminal connectors for good tightening.

2. If the body becomes dirty, wipe off dust with a towelette. Radiating boards should be wiped in cold condition with alcohol.

9. TRANSPORTATION AND STORAGE

Temperature requirements*	Transportation and storage	From -30°C to +50°C
Humidity requirements*		From 15% to 85% (without a condensate)

We are exploring new technologies and we constantly improving the quality of our products. That's why specifications, design and accessories are subject to change without any specific notice.

* This product must have storage in dry, well-ventilated space of warehouse at the temperature not lower than -30°C.

10. TROUBLESHOOTING

Possible malfunctions and remedies for them:

Malfunction	Cause	Remedy
1. The heater heats poorly	1. The heating element is faulty	1. Contact the authorized service center of Timberk
	2. Low voltage in the electric mains	2. Check voltage in the electric mains
2. The heater does not work	1. No voltage in the electric mains	1. Check presence of voltage in the electric mains
	2. Breakdown of the electric cable	2. Check integrity of the electric cable and replace it if necessary
	3. Breakdown in the heating element circuit	3. Contact the authorized service center of Timberk

If you are not able to remedy a malfunction according to the recommendations or other malfunctions occur, contact the authorized service center of Timberk.

11. WIRING SCHEMATIC DIAGRAM

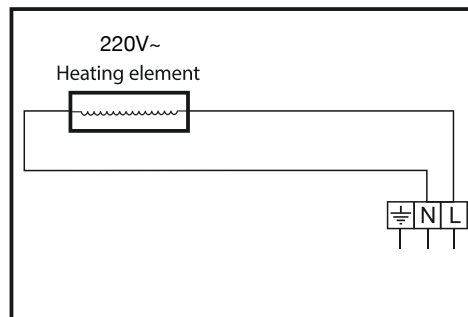


Fig.10

12. DISPOSAL

Upon completion of the service life, the infrared heater should be disposed according to the effective local regulations, rules, and methods. For more details on disposal of the infrared heater, please contact a representative of the local authority.

Уважаемый покупатель!

Благодарим Вас за удачный выбор и приобретение инфракрасного обогревателя TIMBERK. Он прослужит вам долго.

Электрический инфракрасный обогреватель TIMBERK предназначен для основного, дополнительного или локального обогрева жилых и производственных помещений, а также может использоваться на открытом воздухе. Обогреватель может быть установлен на потолке, потолочных конструкциях, стене, крепежной стойке с горизонтальным расположением продольной оси. В местах, где есть возможность подключения к электропроводке с однофазным электропитанием 220В~, 50Гц. Данный нагревательный прибор эффективен и экономичен в использовании в связи с минимальными потерями электроэнергии.

1. ВАЖНАЯ ИНФОРМАЦИЯ

Просим внимательно ознакомиться с руководством по эксплуатации перед использованием инфракрасного обогревателя. В данном руководстве по эксплуатации содержится важная информация, касающаяся вашей безопасности, а также рекомендации по правильному использованию прибора и уходу за ним.

Сохраните руководство по эксплуатации, вместе с гарантийным талоном, кассовым чеком, и, по возможности, картонной упаковкой и упаковочным материалом.

Приобретенный вами инфракрасный обогреватель может несколько отличаться от описанного в руководстве, что не влияет на способы его использования и эксплуатации.

Важные меры предосторожности и инструкции, содержащиеся в данном руководстве, не включают всех возможных режимов и ситуаций, которые могут встречаться. Необходимо понимать, что здравый смысл, осторожность и тщательность являются факторами, которые невозможно «встроить» ни в один продукт.

Эти факторы должен учитывать человек, который заинтересован в надлежащей эксплуатации устройства. Изготовитель не несет ответственности в случае повреждения прибора или его отдельных частей во время транспортировки, в результате неправильной установки, в

результате колебаний напряжения, а также в случае, если какая-либо часть прибора была изменена или модифицирована покупателем.

2. МЕРЫ ПРЕДОСТОРОЖНОСТИ

При использовании инфракрасного обогревателя, необходимо соблюдать ряд мер предосторожности. Неправильная эксплуатация в силу игнорирования мер предосторожности может привести к причинению вреда здоровью пользователя и других людей, а также нанесению ущерба их имуществу.

1. Прочитайте инструкцию перед использованием инфракрасного обогревателя.
2. Температура защитной решетки и корпуса при работе обогревателя может достигать очень высоких значений. Чтобы избежать ожогов, не прикасайтесь руками и другими частями тела к поверхностям прибора, а также предотвратите возможность прикосновения, в том числе случайного, человека к обогревателю с помощью инструктажа и размещением прибора в недоступном месте.
3. Обогреватель должен располагаться вдали от легковоспламеняющихся и легкодеформируемых объектов.
4. Прибор не оснащен устройством для регулирования температуры в помещении. Не используйте прибор в небольших помещениях, когда в них находятся люди или животные, которые не могут покинуть помещение самостоятельно.
5. Не допускайте касания шнуром электропитания и другими предметами горячих поверхностей обогревателя.
6. Удостоверьтесь, что корпус обогревателя и его защитная решетка остыла, прежде чем обогреватель будет демонтирован и уложен в упаковку для длительного хранения.
7. При демонтаже обогревателя или его перемещении соблюдайте особую осторожность, не допуская ударов прибора и его падения.
8. Когда обогреватель не используется долгое время, храните его в сухом прохладном месте в заводской картонной упаковке.
9. НЕ НАКРЫВАЙТЕ обогреватель. Не сушите на нём одежду и любые другие ткани и материалы. Это может привести к его перегреву, выходу из строя или причинить значительный ущерб Вам и/или вашему имуществу.



ВНИМАНИЕ!

Производитель рассматривает данный вид поломки, как негарантийный случай.

10. Подключение обогревателя к электросети должно производиться к электрической сети, с автоматическим выключателем.
11. Если планируется использование прибора в ванной комнате или помещениях с повышенной влажностью, то он должен быть установлен таким образом, чтобы пользователь не мог касаться прибора, в том числе и случайно. Прибор не должен подвергаться прямому воздействию водяной струи или прямого попадания влаги на корпус прибора.
12. Никогда не пытайтесь производить ремонт обогревателя самостоятельно. Это может причинить вред вашему здоровью и повлиять на гарантийное обслуживание обогревателя.
13. Не используйте данное устройство в местах постоянного нахождения животных или растений.
14. Запрещается использование обогревателя вблизи легковоспламеняющихся, легкодеформируемых предметов и/или веществ.
15. Не оставляйте прибор без присмотра во время его эксплуатации.
16. Не допускайте эксплуатацию обогревателя без заземления.
17. Запрещено включать и использовать обогреватель со снятыми элементами корпуса прибора.
18. Запрещается эксплуатация прибора с поврежденным сетевым шнуром или вилкой. Поврежденный сетевой шнур должен быть заменен в авторизованном сервисном центре производителя.
19. Запрещено эксплуатировать обогреватель в запылённых помещениях и во время проведения ремонта.
20. Во время работы прибора запрещено дотрагиваться до корпуса и его защитной решетки.
21. Используйте данный обогреватель только так, как описано в данном руководстве. Любое другое использование, не рекомендуемое изготовителем, может привести к пожару, поражению электрическим током или травмированию людей.
22. Ни в коем случае не выполняйте очистку обогревателя, когда он подключен к электросети и не протирайте излучающие пластины

обогревателя легковоспламеняющимися жидкостями во время его эксплуатации.

23. Для нормальной работы обогревателя уровень напряжения в электросети должен быть достаточен, а ее технические параметры должны быть в строгом соответствии с техническими параметрами, указанными на корпусе прибора. При необходимости выясните характеристики своей сети у поставщика электроэнергии.

24. Устанавливайте и эксплуатируйте обогреватель с горизонтальным расположением продольной оси на потолке, потолочных конструкциях, стене. При этом термостойкость материала должны быть не менее 80°C.

25. Запрещено устанавливать прибор в непосредственной близости от электрической розетки. Это может привести к её перегреву, что создаст аварийную ситуацию.

26. Прибор не предназначен для использования лицами (включая детей) с ограниченными физическими, сенсорными или умственными возможностями, обладающими недостаточным опытом и знаниями, если они не находятся под наблюдением и не получили инструкций по использованию устройства от лица, ответственного за их безопасность. Необходимо следить, чтобы дети не играли с обогревателем.

3. РАБОЧИЕ ХАРАКТЕРИСТИКИ

Принцип работы

Инфракрасный обогреватель представляет собой прибор с электрическим нагревательным элементом и излучающими пластинами, которые при нагреве отдают тепло в окружающую среду посредством генерирования направленного инфракрасного излучения.

Лучистая энергия поглощается окружающими поверхностями и, превращаясь в тепловую энергию, нагревает их. Температура на поверхности предметов может быть различной в зависимости от их термоабсорбционных свойств (цвет поверхности, материал), угла падения инфракрасных лучей, формы и площади поверхности. Поверхности также отдают часть тепла воздуху, при этом нагретый воздух, поднимаясь к потолку, постепенно остывает, при этом на уровне головы стоящего человека температура воздуха оказывается на 1-2°C ниже температуры пола.

Основные особенности

1. Существенный экономический эффект по сравнению с конвекци-

онным обогревом, где энергия существенно расходуется на обогрев неиспользуемого подпотолочного пространства, сначала нагревая воздух по всему объему помещения, а от него предметы и поверхности находящиеся в нем.

2. Возможность местного обогрева только тех площадей в помещении, в которых это необходимо без обогрева всего объема помещения.
3. Низкая температура воздуха в помещении при комфортной температуре на поверхности предметов, пола, стен, создает эффект свежести: воздух не высушивается.
4. Низкая конвекция (тепловое движение объемов воздуха) снижает количество пыли, поднимаемой с пола.
5. Высокий класс защиты прибора (IP65) позволяет применять прибор в средах с самыми неблагоприятными условиями.
6. Возможность использования прибора на переносной стойке. (Переносная стойка поставляется отдельно, как принадлежность)
7. Карбоновый нагревательный элемент.

Технические характеристики

Таблица 1.

Наименование	Ед. изм.	Модель	
		TIR HP1 1500	TIR HP1 1800
Номинальная потребляемая мощность	Вт	1500	1800
Номинальная сила тока	А	6,8	8,2
Номинальное напряжение	В/Гц	220~/50	220~/50
Степень защиты		IP65	IP65
Класс электрозащиты		Class I	Class I
Площадь обогрева	м ²	14-16	17-19
Высота подвеса	м	2,0	2,2
Вес	кг	2,4	2,6
Размеры	мм	133x558x88	133x658x88

Более подробное описание технических параметров и характеристик смотрите на сайте www.timberk.ru или спрашивайте у официальных дилеров Timberk.



ВНИМАНИЕ!

Производитель оставляет за собой право для разных партий поставок без предварительного уведомления изменять комплектующие части изделия (включая заливаемые \ засыпаемые составляющие), не влияя при этом на основные технические параметры изделия или улучшая их, а также не нарушая изменениями принятые на территории страны производства \ транзита \ реализации стандарты качества и нормы законодательства.

Это может повлечь за собой изменение веса и габаритов изделия, но не более чем на +/- 5-20% (могут отличаться для разного вида изделий).



ПРИМЕЧАНИЕ:

Площадь обогрева в таблице указана ориентировочно, т.к. площадь обогрева зависит не только от мощности обогревателя, но и от типа помещения, высоты потолка, материала стен, потолков, количества и площади остекления, наличия дверей и др.

4. ОПИСАНИЕ ИНФРАКРАСНОГО ОБОГРЕВАТЕЛЯ

1. Корпус обогревателя
2. Защитная решетка
3. Нагревательный элемент
4. Крышка
5. Сетевой шнур

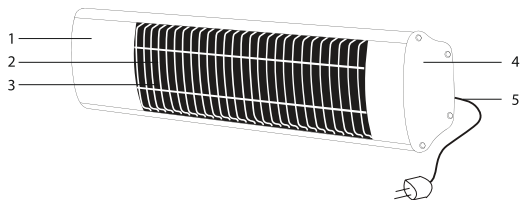


Рис.1

5. КОМПЛЕКТ ПОСТАВКИ

1. Инфракрасный обогреватель – 1 шт
2. Крепежный комплект – 1 шт.
3. Руководство по эксплуатации – 1 шт
4. Гарантийный талон – 1 шт
5. Упаковка – 1 шт



ПРИМЕЧАНИЕ:

Для улучшения качества продукции, конструкция и технические характеристики инфракрасного обогревателя, а также его комплектация могут быть изменены производителем без предварительного уведомления.

Область применения

Инфракрасные обогреватели предназначены для основного, дополнительного и местного обогрева промышленных, производственных, бытовых и аналогичных помещений (квартиры, офисы, предприятия торговли, спортзалы, учебные заведения, предприятия общественного питания, склады, ангары, предприятия агропромышленного комплекса и т.п.), а также могут быть использованы на открытом воздухе.

6. УСТАНОВКА



ВНИМАНИЕ!

Работы по монтажу инфракрасного обогревателя и подключению его к электрической сети должны производить только квалифицированные специалисты в соответствии с «Правилами устройства электроустановок» и «Правилами техники безопасности при эксплуатации электроустановок».

1. Раскройте заводскую упаковку и аккуратно извлеките из нее обогреватель.
2. Достаньте крепежный комплект (см. п. 6.2)
3. Соберите установочный настенный крепеж как показано на рис. 2
4. Присоедините крепеж согласно инструкции, показанной на рис. 3, 4, 5 к корпусу обогревателя.
5. Подвесьте обогреватель на ровную поверхность стены с соблюдением расстояний, указанным в п. 6.1. Убедитесь, что крепежные винты прочно закреплены.
6. При необходимости установки обогревателя на переносную стойку следуйте инструкциям, показанным на рис. 6, 7, 8, 9 и см. п. 6.3



ПРИМЕЧАНИЕ:

В зависимости от материала и устройства потолочных конструкций, обогреватель крепится на соответствующие крепежные элементы, выбираемые из условия прочности. Прочность потолка, либо конструкций, за которые крепится обогреватель, должна быть достаточной, чтобы выдерживать 5-кратную массу обогревателя.

6.1 Безопасное расстояние, необходимое для установки

1. Никогда не устанавливайте прибор на поверхности из пластика, нейлона, картона и др.
2. После установки прибора расстояние от пола должно быть не ме-

нее 1,8 метра.

3. Расстояние от стены до прибора должно быть не менее 0,65 метра.

4. Расстояние от прибора до потолка должно быть не менее 0,3 метра.

5. Расстояние от защитной решетки прибора до легко воспламеняемых (ткань, бумага, пластик и др.) и горючих материалов должно быть не менее 1,5-2 метра.

6. Расстояние от прибора до нахождения человека должно быть не менее 1 метра.

6.2 Установка обогревателя с помощью настенного крепежа

Таблица 2.

№	Наименование	Описание	Кол-во
1	Саморез	M6x20	1
2	Установочная скоба	Алюминиевый	1
3	Анкерный болт	M6x60	2
4	Подвес	Стальной	1
5	Болт	M8x60	1
5A	Гайка	M8	1

На рисунках 2, 3, 4, 5 показана поэтапная инструкция по сборке и установке настенного крепежа для инфракрасного обогревателя.

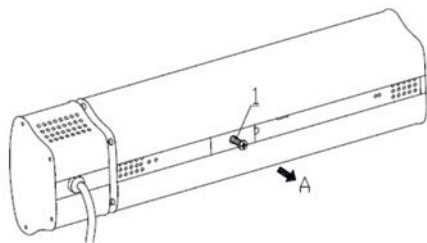


Рис. 2

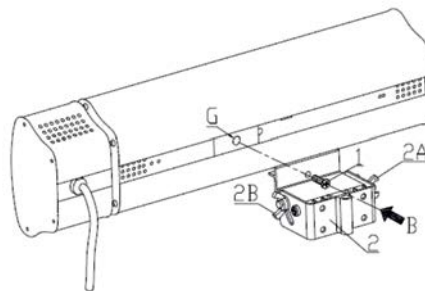


Рис. 3

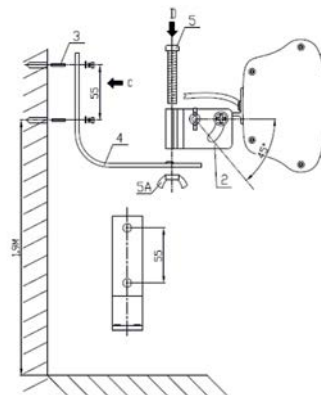


Рис. 4

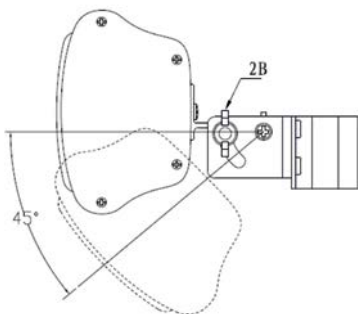


Рис. 5

6.3 Установка инфракрасного обогревателя на переносную стойку

Таблица 3.

№	Наименование	Описание	Кол-во
1	Саморез	M6x20	1
2	Установочная скоба	Алюминиевый	1
3	Анкерный винт	M6x60	2
4	Крюк	Стальной	1
5	Винт	M8x60	1
5A	Гайка	M8	1
6	Гайка	M6	4
7	Держатель 3	Алюминиевый	1
8	Винт	M6x10	12
9	Установочная телескопическая трубка	Стальной	1
10	Телескопическая трубка	Стальной	1
11	Телескопическая трубка	Стальной	1
12	Подставка	Пластик	1

№	Наименование	Описание	Кол-во
13	M8 винт	L шпире	1
14	Крепежная пластина	Стальной	1
15	Нижняя крышка	Стальной	1
16	Винт	M6x50	3
17	Шайба пружины	Ф6.2xФ8.2x1	3
18	Шайба	Ф6.2xФ14x1	3
19	Декоративная крышка	Стальной	1
20	Шестигранный ключ	Стальной	1
21	Держатель провода	РА	2
22	Крышка	Силикон	1

На рисунках 6, 7, 8, 9 показана поэтапная инструкция по сборке и установке инфракрасного обогревателя на переносную стойку.

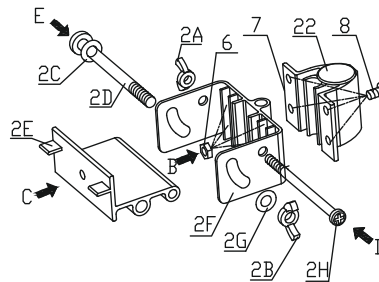


Рис. 6

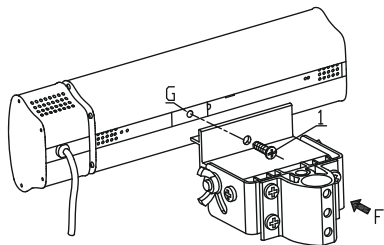


Рис. 7

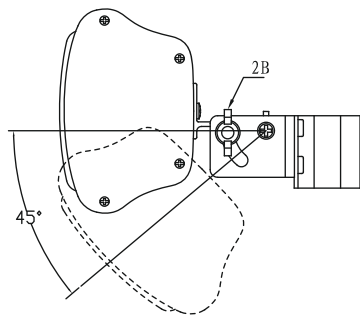


Рис. 8

Подключение к электрической сети

1. Инфракрасный обогреватель рассчитан на подключение к электрической сети с однофазным напряжением 220В~, 50 Гц.
2. Перед подключением убедитесь, что параметры электросети в месте подключения соответствуют параметрам, указанным на маркировочной табличке с техническими данными прибора.
3. При подключении коннектора к электрической сети следует соблюдать действующие правила электробезопасности.
4. Электрическая розетка должна быть правильно заземлена. Розетка должна быть рассчитана на номинальный ток не менее 16А для

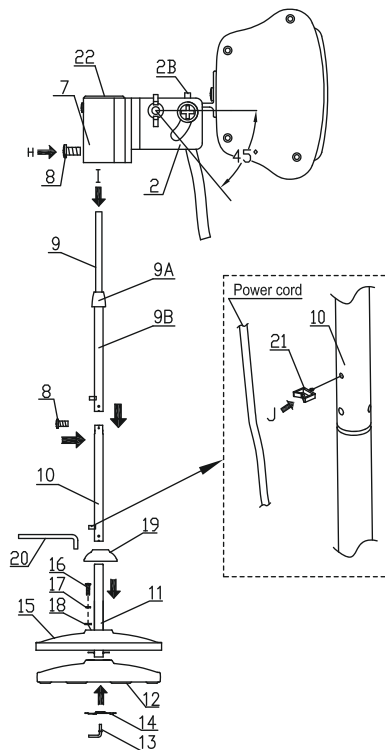


Рис. 9

моделей с максимальной мощностью до 2000 Вт. Электрические розетка и вилка должны всегда оставаться сухими во избежание утечки электрического тока. Регулярно проверяйте, что электрическая вилка плотно подключена к розетке. Проверку производите в следующем порядке: вставьте электрическую вилку в розетку, через полчаса работы выключите инфракрасный обогреватель и выньте вилку из ро-

зетки, проверьте рукой, не нагрелась ли вилка. Если вилка нагрелась до температуры выше 50°C, во избежание повреждений, происшествий, возникновения пожара в результате плохого электрического контакта замените розетку на другую. Это должен делать специалист.

7. ЭКСПЛУАТАЦИЯ ИНФРАКРАСНОГО ОБОГРЕВАТЕЛЯ



ВНИМАНИЕ!

Пожалуйста, подключайте кабель питания к розетке с номинальным напряжением 3P 230V 16A IP67 (IEC 60309-2)

1. Перед включением обогревателя убедитесь в отсутствии влаги на корпусе прибора и на нагревательном элементе.
2. После первого включения обогревателя на короткое время может появиться жженный запах. Это нормально. Если запах сохраняется длительное время, немедленно отключите обогреватель от электрического питания и обратитесь в сервисную службу.
3. Для исключения появления жженого запаха при использовании обогревателя в будущем рекомендуется содержать его в чистоте, не допуская скапливания на нем пыли.
4. В течение нескольких минут после включения обогревателя, на нагревательном элементе могут появиться черные точки. Это нормально и не влияет на работу прибора.
5. Не рекомендуется долго смотреть на нагревательный элемент обогревателя, это может вызвать ухудшения зрения и порчу здоровья.



ВНИМАНИЕ!

При эксплуатации могут быть слышны легкие потрескивания в момент нагрева или остывания, исчезающие с выходом обогревателя на рабочий режим.

8. УСТРАНЕНИЕ НЕИСПРАВНОСТЕЙ

Возможные неисправности и методы их устранения:

Неисправность	Причина	Способ устранения
1. Обогреватель плохо греет	1. Неисправен нагревательный элемент	1. Обратиться в авторизованный сервисный центр «Timberk»
	2. Низкое напряжение в электросети	2. Проверить напряжение в электросети
2. Обогреватель не работает	1. Отсутствует напряжение в электросети	1. Проверить наличие напряжения в электросети
	2. Обрыв электрического кабеля	2. Проверить целостность электрического кабеля и при необходимости заменить его
	3. Обрыв в цепи нагревательного элемента	3. Обратиться в авторизованный сервисный центр «Timberk»

Если неисправность не удастся устранить в соответствии с рекомендациями или при возникновении других неисправностей обратитесь в авторизованный сервисный центр Timberk.

10. ПРИНЦИПИАЛЬНАЯ ЭЛЕКТРИЧЕСКАЯ СХЕМА



Рис.10



www.timberk.com

ГАРАНТИЙНЫЙ ТАЛОН



Уважаемый покупатель!

**Обратите внимание на необходимость вашей подписи
на стр. 22**

Гарантийные обязательства

Гарантийное обслуживание и ремонт бытового электрического инфракрасного обогревателя TIMBERK с соблюдением требований и норм Изготовителя (TIMBERK) производится на территории РФ только в авторизованных сервисных центрах Изготовителя или мастерских, уполномоченных производителем и работающих с ним на основании договора.

Срок проведения экспертизы и гарантийного ремонта - не более 45 дней с момента приемки дефектного изделия авторизованным сервисным центром TIMBERK.

Если при эксплуатации изделия Вы столкнулись с неполадками в его работе, которые Вы не можете устранить самостоятельно в строгом соответствии с Руководством по эксплуатации изделия, обратитесь к региональному представителю Изготовителя в России или в региональный авторизованный сервисный центр TIMBERK, уточнив адрес у продавца.

Полный перечень сервисных центров указан на сайте www.timberk.com или приложен отдельным списком в комплекте с изделием.

Также Вы можете обратиться в уполномоченную сервисную службу Изготовителя по телефону: +7 (495) 627-5285, либо по телефону, указанному на сайте: www.timberk.com, или отправить сообщение по электронному адресу: ru.service@timberk.com

Если отсутствие надлежащим образом заполненного гарантийного талона на изделие или отсутствие чека с указанием изделия не позволяет идентифицировать изделие и факт его продажи на территории РФ, то Изготовитель вправе отказать в гарантийном обслуживании изделия.

При невозможности определить дату продажи изделия, гарантийный срок исчисляется с даты его производства.

Дата производства изделия определяется по реестру Изготовителя в соответствии с серийным номером изделия.

Официальный срок службы бытового инфракрасного обогревателя TIMBERK, установленный изготовителем, составляет 8 лет, со дня передачи изделия потребителю.

Указанный срок службы действителен только при условии соблюдения правил эксплуатации и правильного ухода за изделием.

Во избежание недоразумений убедительно просим Вас внимательно изучить Руководство по эксплуатации изделия и условия гарантийных обязательств, проверить правильность заполнения бланка гарантийного талона. Согласно требованиям Изготовителя, гарантийный талон действителен только при наличии четко и правильно указанных данных: модели, серийного номера изделия, даты покупки, данных фирмы-продавца, подписи покупателя. Соответствующие данные также должны быть указаны продавцом на отрывных талонах.

Модель и серийный номер изделия (на маркировочной (идентификационной) наклейке Изготовителя на изделии (TIMBERK ID) должны соответствовать указанным в гарантийном талоне продавцом. При нарушении этих условий, а также в случае, когда данные, указанные в гарантийном талоне, изменены или стерты, талон может быть признан недействительным.

Данным гарантийным талоном Изготовитель подтверждает принятие на себя обязательств по удовлетворению законных требований потребителей в случае обнаружения недостатков изделия, возникших по вине Изготовителя в течение установленного гарантийного срока.

Гарантийный срок для бытового инфракрасного обогревателя TIMBERK, установленный изготовителем, составляет 1 год, со дня передачи изделия потребителю.

Гарантийные обязательства дополняют и уточняют оговоренные законом обязательства, предполагающие соглашение сторон либо договор; выдаются Изготовителем в дополнение к законным правам потребителей и ни в коей мере их не ограничивают.

Гарантия Изготовителя действительна только на территории РФ на изделия, купленные на территории РФ и изготовленные для РФ.



ВНИМАНИЕ!

Если изделие использовалось в соответствии с его целями применения, установленными Руководством по эксплуатации, в рамках осуществления предпринимательской деятельности, то гарантийный срок изделия составляет 3 (три) месяца с момента продажи изделия или 5 (пять) месяцев с момента производства изделия, если дата продажи не установлена*.

Изготовитель оставляет за собой право:

- отказать в гарантийном сервисном обслуживании изделия в случае несоблюдения изложенных ниже условий (см. «Досрочное прекращение гарантийного обслуживания»);
- самостоятельно инициировать независимую экспертизу для выяснения обстоятельств, приведших к выходу прибора из строя;
- сравнивать предоставленную маркировочную (идентификационную) наклейку изделия (TIMBERK ID) с данными реестров производства для проверки соответствия серийного номера изделия уникальным производственным номерам реестров;

Просим Вас хранить Гарантийный талон в течение всего гарантийного срока, установленного Изготовителем на приобретенное Вами изделие.

При покупке изделия требуйте от продавца проверку его комплектности и отсутствия механических повреждений в Вашем присутствии, а также правильного и четкого заполнения данного гарантийного талона. Претензии по некомплектности и выявленным механическим повреждениям после продажи изделия не принимаются.

Для гарантийного ремонта предъявляйте данный Гарантийный талон вместе с товарным (кассовым) чеком или другим документом, подтверждающим дату и факт продажи изделия на территории РФ.

Установка, подключение и запуск в эксплуатацию изделия допускается исключительно специалистами и организациями, имеющими лицензии или соответствующие разрешения (допуски) на данный вид деятельности, либо специалистами и организациями, авторизованными для монтажа и/или обслуживания данного вида техники.

О необходимости проведения тех или иных монтажных и/или сервисных работ специализированными организациями Вы можете узнать, внимательно ознакомившись с Руководством по эксплуатации на приобретенное Вами изделие. Для монтажа приобретенного оборудования Вы можете воспользоваться платной услугой специалистов авторизованных сервисных центров Timberk, которые проведут все необходимые работы для длительного и безопасного использования приобретенного Вами изделия.

Вы можете также воспользоваться услугами любых других квалифицированных специалистов, однако, в этом случае, если изделие вышло из строя вследствие неправильной установки и подключения, Вы теряете право на бесплатное гарантийное обслуживание.

Досрочное прекращение гарантийного обслуживания.

Все условия гарантийного обслуживания регулируются Законодательством РФ и Законом РФ «О защите прав потребителей». В частности, отказ в бесплатном гарантийном обслуживании изделия может быть вызван:

- нарушением при оформлении гарантийного талона при продаже изделия;
- отсутствием товарного или кассового чека о продаже изделия или невозможностью определить продавца изделия;
- наличием следов механических повреждений, возникших после передачи изделия потребителю и явившихся возможной причиной возникновения дефекта;
- наличием повреждений, вызванных несоответствием стандартам параметров питающих сетей и других подобных внешних факторов, а также вызванных использованием нестандартных, неоригинальных (или некачественных), запасных частей, элементов и т.д.;
- нарушением правил Руководства по эксплуатации данного изделия;
- наличием следов несанкционированного вскрытия и/или ремонта изделия, повлекших за собой отказ в работе изделия;
- дефектом или отказом системы или ее части, где изделие использовалось как часть системы и это могло привести к дефекту или отказу изделия.

Гарантийные обязательства не распространяются на перечисленные ниже части и принадлежности изделия, если их замена не связана с разборкой самого изделия или их замена требуется при профилактическом обслуживании:

- монтажные приспособления и документацию, прилагаемую к изделию;
- материалы, наклеенные на изделие, имеющие рекламное или информационное назначение, за исключением маркировочной (идентификационной) наклейки Изготовителя (Timberk ID).



ВНИМАНИЕ!

Если в результате экспертизы/диагностики изделия установлено, что его недостатки возникли вследствие обстоятельств, за которые не отвечает продавец (изготовитель), либо недостатки в товаре отсутствуют, Потребитель обязан возместить продавцу (изготовителю или уполномоченной изготовителем организации) расходы на проведение экспертизы (диагностики), а также связанные с ее проведением расходы на хранение и транспортировку товара в соответствии с Законом РФ «О защите прав потребителей» № 171-ФЗ в ред. от 21.12.2004 ст. 18 п.5.

Изготовитель не несет гарантийных обязательств за изделие в следующих случаях:

- если изделие использовалось в иных целях, не соответствующих его прямому назначению в соответствии с Руководством по эксплуатации;
- если на изделии отсутствует маркировочная (идентификационная) табличка Изготовителя (TIMBERK ID);
- если изделие имеет следы несанкционированного вскрытия, не предусмотренного Руководством по эксплуатации, и попыток некачественного ремонта;
- если дефект вызван изменением/нарушением конструкции или схемы изделия, не предусмотренным Изготовителем;
- если обнаружены повреждения, вызванные попаданием внутрь изделия посторонних предметов, веществ, жидкостей, скоплением большого количества пыли;
- если обнаружены повреждения, вызванные подключением к электрической сети с недопустимыми параметрами;
- если дефект вызван действием непреодолимых сил, несчастными случаями, умышленными или неосторожными действиями потребителя или третьих лиц;
- неправильного хранения изделия.

Изготовитель снимает с себя любую ответственность за возможный вред, прямо и или косвенно нанесенный продукцией TIMBERK людям, домашним животным, и имуществу, в случаях, если это произошло в ре-

зультате несоблюдения правил и условий эксплуатации или вследствие некачественного, обслуживания и ремонта изделия, умышленных или неосторожных действий потребителя или третьих лиц.



ВНИМАНИЕ!

Если маркировочная (идентификационная) наклейка на изделие TIMBERK (TIMBERK ID) закреплена на изделии не плотно и существует риск ее утери, то клейте ее в гарантийный талон на последней странице.

Изготовитель/импортер/продавец не несет ответственности в случае возникновения недостатков изделия из-за неправильных/некачественных монтажных, пусконаладочных, сервисных, профилактических работ выполненных неавторизованными организациями и специалистами.

Гарантийные обязательства Изготовителя не распространяются на случаи:

- если изделие эксплуатировалось в положении, отличном от указанного в Руководстве по эксплуатации на данный прибор;
- если неисправность изделия возникла в результате попадания внутрь изделия посторонних предметов, веществ, жидкостей, насекомых, скоплением большого количества пыли;
- если в процессе эксплуатации был затруднен проход воздуха через вентиляционные отверстия и решетки (например, прибор накрывался какими-либо предметами, шторами, производилась сушка одежды, большое скопление пыли снаружи и внутри прибора и т.д.)



ПРИМЕЧАНИЕ:

Пожалуйста, потребуйте от продавца полностью, четко и правильно заполнить бланк Гарантийного талона.

Бланк гарантийного талона.

Заполняется фирмой-продавцом

Изделие	
Модель	
Серийный номер	
Дата продажи	
Фирма-продавец	
Адрес фирмы продавца	
Телефон фирмы продавца	

Без подписи покупателя Гарантийный талон является недействительным.



Печать
фирмы-продавца

Заполняется сервисным центром

«А»

Дата приема	
Дата выдачи	
Особые отметки	

Печать
сервисного центра

«Б»

Дата приема	
Дата выдачи	
Особые отметки	

Печать
сервисного центра

«В»

Дата приема	
Дата выдачи	
Особые отметки	

Печать
сервисного центра

«Г»

Дата приема	
Дата выдачи	
Особые отметки	

Печать
сервисного центра

Подписывая данный гарантийный талон, Покупатель признает, что он:

1. Проверил заполнение информации.
2. Получил Руководство по эксплуатации на изделие на русском языке.
3. Владеет всей необходимой информацией о приобретенном изделии и его потребительских свойствах, характеристиках в соответствии со статьей 10 Закона РФ «О защите прав потребителей».
4. Ознакомлен и полностью согласен с условиями и ограничениями гарантийного обслуживания, а также с условиями установки / подключения / сервисного обслуживания / эксплуатации приобретенного изделия.
5. Не имеет претензий к внешнему виду / комплектности / работоспособности (если прибор проверялся в его присутствии при продаже) приобретенного изделия.

Подпись покупателя (с расшифровкой)

_____ / _____ /

Дата _____

Отрывной талон«А»

Изделие	
Модель	
Серийный номер	
Дата продажи	
Фирма-продавец	

Заполняется фирмой-продавцом

Печать
фирмы-продавца

**Отрывной талон«Б»**

Изделие	
Модель	
Серийный номер	
Дата продажи	
Фирма-продавец	

Заполняется фирмой-продавцом

Печать
фирмы-продавца

**Отрывной талон«В»**

Изделие	
Модель	
Серийный номер	
Дата продажи	
Фирма-продавец	

Заполняется фирмой-продавцом

Печать
фирмы-продавца

**Отрывной талон«Г»**

Изделие	
Модель	
Серийный номер	
Дата продажи	
Фирма-продавец	

Заполняется фирмой-продавцом

Печать
фирмы-продавца



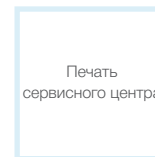
Дата приема	
Дата выдачи	
Номер заказа-наряда	
Проявление дефекта	
Мастер	
Код неисправности	

Заполняется сервисным центром



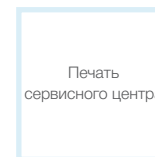
Дата приема	
Дата выдачи	
Номер заказа-наряда	
Проявление дефекта	
Мастер	
Код неисправности	

Заполняется сервисным центром



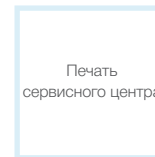
Дата приема	
Дата выдачи	
Номер заказа-наряда	
Проявление дефекта	
Мастер	
Код неисправности	

Заполняется сервисным центром



Дата приема	
Дата выдачи	
Номер заказа-наряда	
Проявление дефекта	
Мастер	
Код неисправности	

Заполняется сервисным центром





RU

**Руководство по эксплуатации
техники Timberk написано
на английском языке и
переведено на русский язык.**



BY

В целях информирования покупателей техники TIMBERK, мы дополнительно сообщаем, что русский является государственным языком в следующих государствах:



OS

- в Российской Федерации
- в Республике Беларусь наряду с белорусским языком
- в частично признанной Южной Осетии наряду с осетинским языком



KZ

Русский язык является официальным языком (во всех случаях другой язык или другие языки выступают как государственный или второй официальный) в следующих государствах и на территориях:



AK



KG



UA



TJ

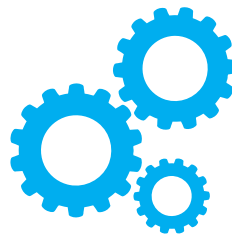


CIS

- в Республике Казахстан
- в Киргизской Республике
- в административных единицах Украины, где доля носителей русского языка составляет более 10%, при соответствующем решении местных советов
- в Автономной Республике Крым

В Республике Таджикистан русский язык признан по Конституции языком межнационального общения.

Официальным языком международной организации Содружество Независимых Государств (СНГ) является русский язык.



www.btpart.ru

Все расходные материалы для
продукции Timberk вы можете
приобрести на сайте www.btpart.ru

Уважаемый покупатель!

Timberk предоставляет вам специальный сервис в рамках программы клиентской поддержки. Теперь вы всегда сможете заказать и оформить доставку на запасные части и расходные материалы, необходимые для оптимальной, качественной работы техники Timberk в течение всего срока службы на едином портале www.btpart.ru.

Всю информацию о работе портала вы также всегда сможете увидеть на сайте www.timberk.com. Мы искренне надеемся, что этот уникальный дополнительный сервис поможет вам сделать жизнь с Timberk еще удобнее!



Если вы заметили ошибку в руководстве по эксплуатации, пожалуйста, сообщите нам об этом, связавшись с нами по электронной почте, указанной на сайте www.timberk.com

If you found any mistake in this manual please let us know by email listed on www.timberk.com



www.timberk.com

EAC