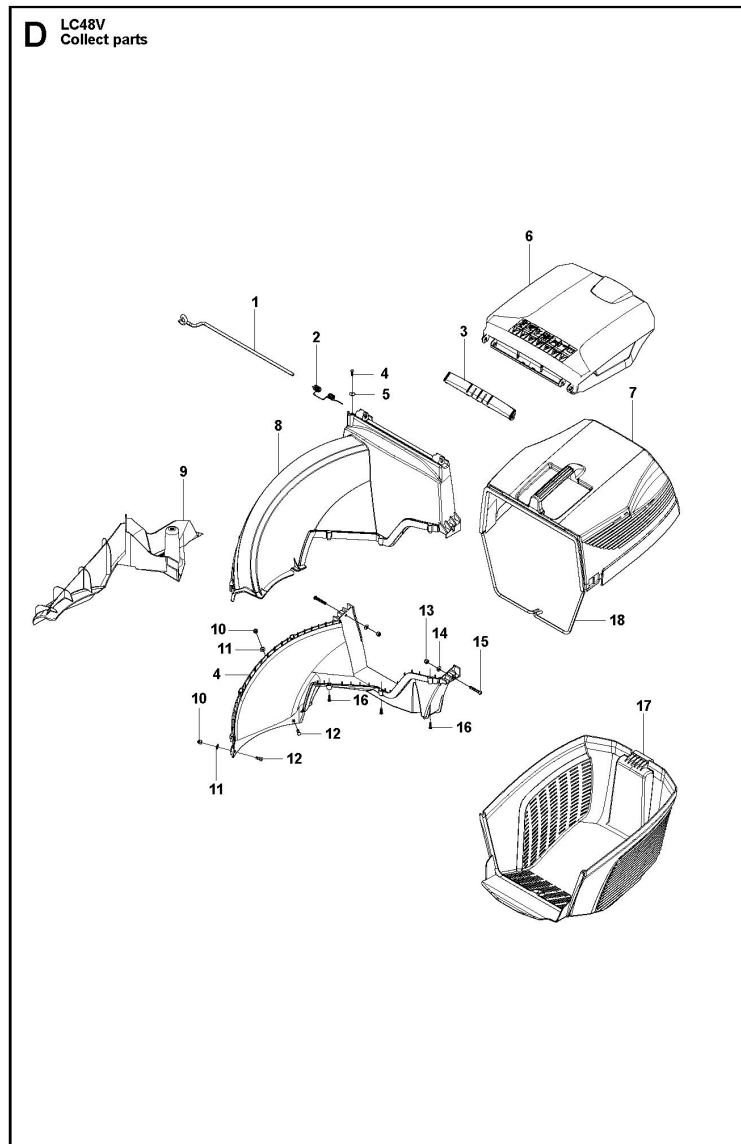


LC48 V, 96697530100, 2009-03

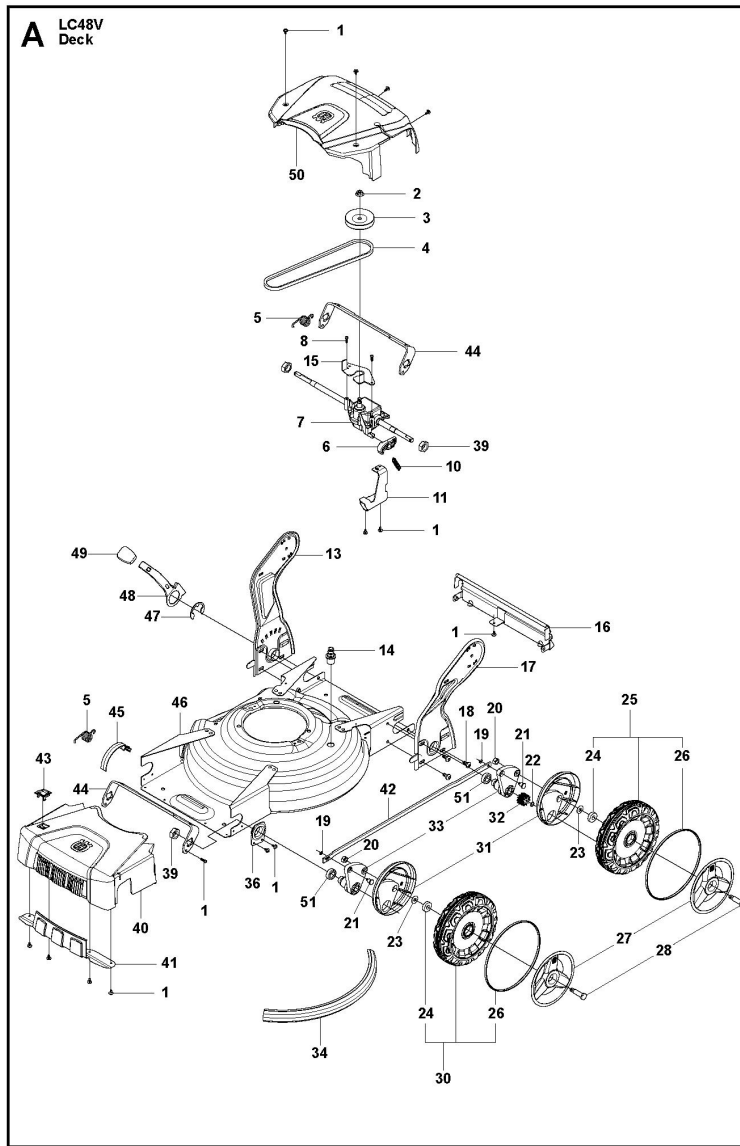


COLLECT PARTS



Ref	Part No.	Description	QTY	KIT
1	502 24 59-01	AXLE	1	
2	502 24 47-01	SPRING	1	
3	504 59 81-01	COVER LID	1	
4	501 96 73-01	CHUTE	1	
5	505 19 84-01	WASHER	1	
6	501 96 77-01	HATCH	1	
7	501 98 77-01	GRASSBAG	1	
8	501 96 75-01	CHUTE	1	
9	504 13 71-01	MULCH PLUG	1	
10	502 30 50-01	CAP NUT	2	
11	505 19 84-01	WASHER	2	
12	505 15 61-01	SCREW	2	
13	531 20 84-01	RESILIENT PIN	2	
14	531 20 66-66	WASHER	2	
15	505 55 77-01	SCREW ITXPANTT	2	
16	502 43 53-01	SCREW ITXPANT	7	
17	501 98 76-01	GRASSBAG	1	
18	502 44 71-01	GRASSBAG FRAME	1	

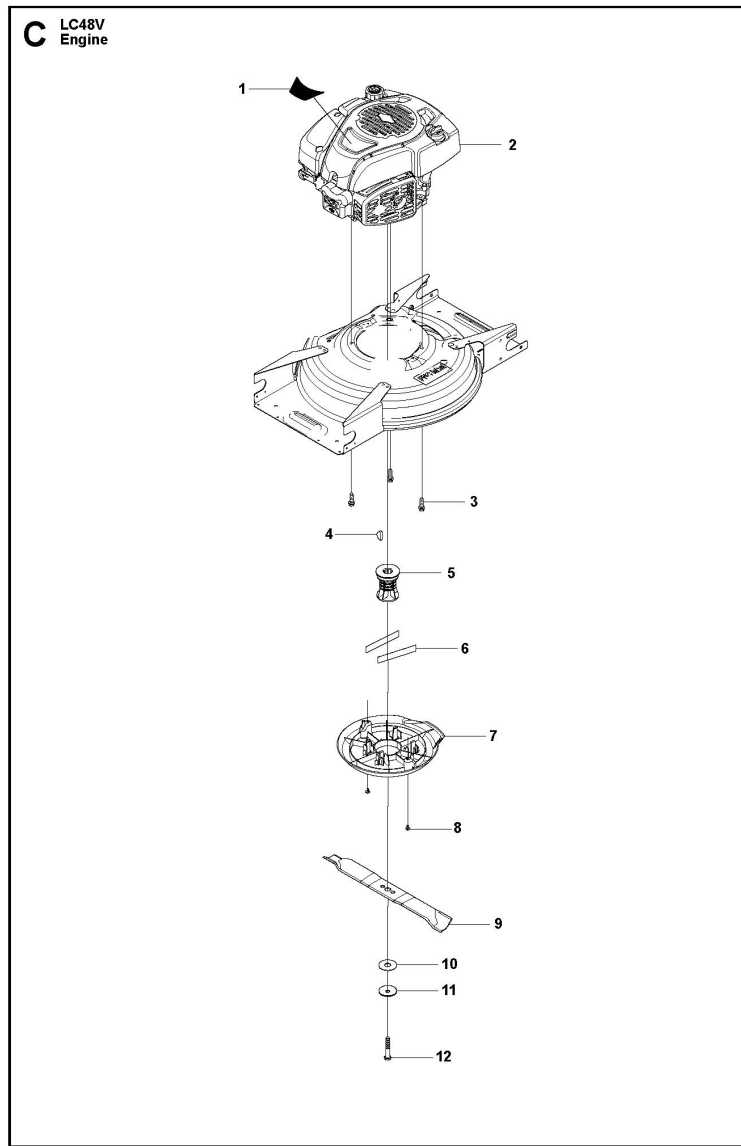
DECK



Ref	Part No.	Description	QTY	KIT
1	502 43 52-01	SCREW ITXPANTT	17	
2	504 05 56-01	NUT FLANGE	1	
3	504 05 33-01	PULLEY	1	
4	501 98 66-01	BELT	1	
5	522 02 46-01	SPRING	2	
6	504 04 83-01	LEVER	1	
7	504 04 80-01	GEAR BOX	1	
8	502 43 53-01	SCREW ITXPANT	2	
10	504 04 87-01	SPRING	1	
11	504 04 86-01	BRACKET	1	
13	504 00 00-01	HANDLE SUPPORT	1	
14	531 20 58-48	CONNECTOR	1	
15	504 04 85-01	BELT GUIDE	1	
16	504 64 15-01	SKID PLATE	1	
17	504 00 32-01	HANDLE SUPPORT	1	
18	504 64 16-02	SCREW ITXPANTT	6	
19	735 31 09-21	LOCK WASHER	2	
20	731 23 20-01	NUT	4	

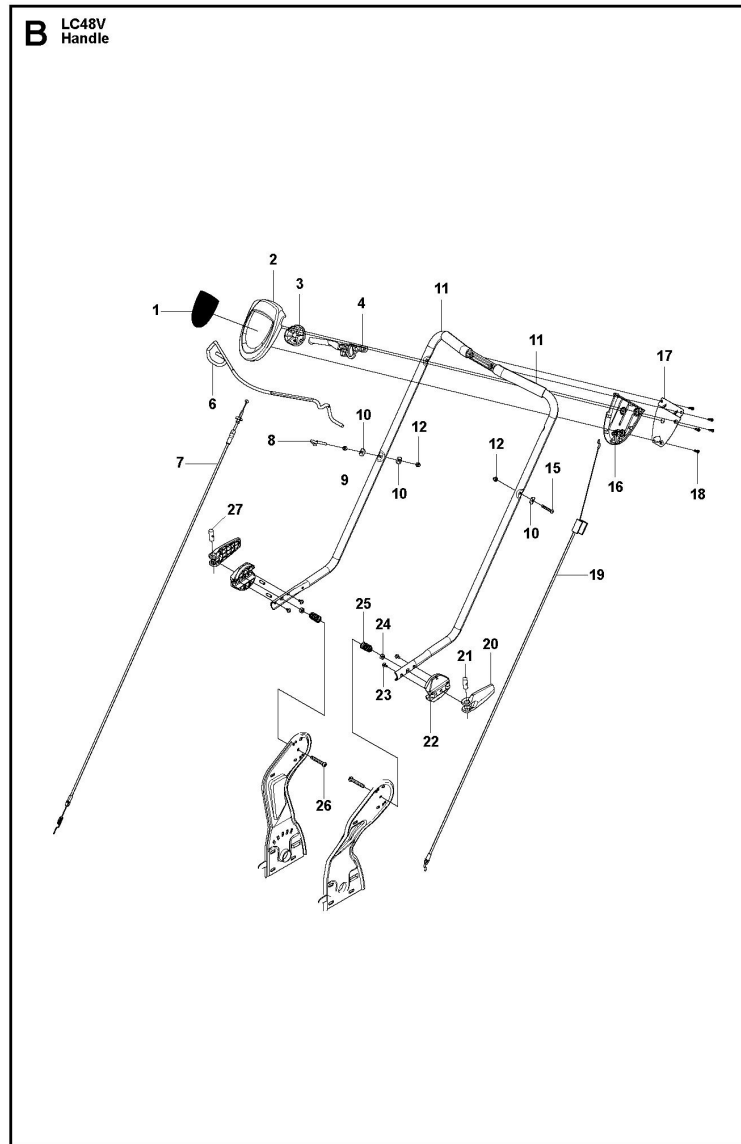
Ref	Part No.	Description	QTY	KIT
21	504 62 50-01	SHAFT	2	
22	735 31 36-21	LOCK WASHER	2	
23	505 22 14-01	WASHER	4	
24	738 21 01-04	BALL BEARING	8	
25	544 91 69-02	WHEEL ASSY	2	
26	544 43 28-01	O-RING	4	
27	544 44 39-01	HUB CAP	4	
28	544 45 34-01	SCREW	4	
30	502 49 68-01	WHEEL ASSY	2	
31	504 62 41-01	DUST COVER	4	
32	544 34 23-01	PINION	2	
33	504 61 44-01	LINK ARM	4	
34	504 69 50-01	BUMPER	1	
36	504 62 49-01	BRACKET	2	
39	505 52 10-01	NUT	4	
40	502 62 44-01	FRONT COVER	1	
41	502 62 54-01	SKID PLATE	1	
42	504 61 55-01	ROD	1	
43	504 62 75-01	INDEX WINDOW	1	
44	504 61 46-01	TRANSVERSAL ROD	2	
45	504 62 76-01	Index scale	1	
46	501 37 55-01	CHASSIS	1	
47	504 70 28-01	LOCK RING	1	
48	504 83 82-01	LEVER	1	
49	504 83 83-01	KNOB	1	
50	501 35 50-01	REAR COVER	1	
51	738 21 01-14	BALL BEARING	2	

ENGINE



Ref	Part No.	Description	QTY	KIT
1	521 88 88-01	LABEL	1	
3	531 21 28-51	SCREW	3	
4	531 20 49-07	KEY	1	
5	531 20 78-48	SUPPORT	1	
6	504 62 42-01	WEAR PLATE	2	
7	501 96 81-01	BELT COVER	1	
8	505 52 46-01	SCREW ITPANTT	2	
9	505 52 41-01	BLADE	1	
10	531 20 72-43	WASHER	1	
11	531 20 72-37	WASHER	1	
12	531 20 66-49	SCREW	1	
13	510 43 66-01	BLADE	1	

HANDLE



Ref	Part No.	Description	QTY	KIT
1	544 92 81-01	LABEL	1	
2	532 18 82-78	PROTECTOR	1	
3	532 40 62-62	PULLEY	1	
4	532 19 02-83	LEVER	1	
6	502 28 93-01	BAIL ARM	1	
7	544 90 79-05	CABLE	1	
8	531 20 51-69	PIN RETAINING SCREW	1	
9	531 20 71-65	NUT	1	
10	531 20 49-61	WASHER	3	
11	522 74 84-01	HANDLE ASSY	2	
12	502 30 50-01	CAP NUT	2	
15	505 55 77-01	SCREW ITXPANTT	1	
16	532 18 82-79	COVER	1	
17	532 18 70-97	BRACKET	1	
18	502 43 53-01	SCREW ITXPANT	5	
19	522 93 74-01	CABLE	1	
20	504 13 83-01	LEVER	2	
21	505 50 81-01	NEEDLE ROLLER	2	

Ref	Part No.	Description	QTY	KIT
22	504 13 89-01	ADJUSTING DISC	2	
23	502 43 52-01	SCREW ITPANTT	4	
24	732 25 18-71	NUT	2	
25	504 63 81-01	SPRING	2	
26	505 52 46-01	SCREW ITPANTT	2	
27	505 50 81-01	NEEDLE ROLLER	4	