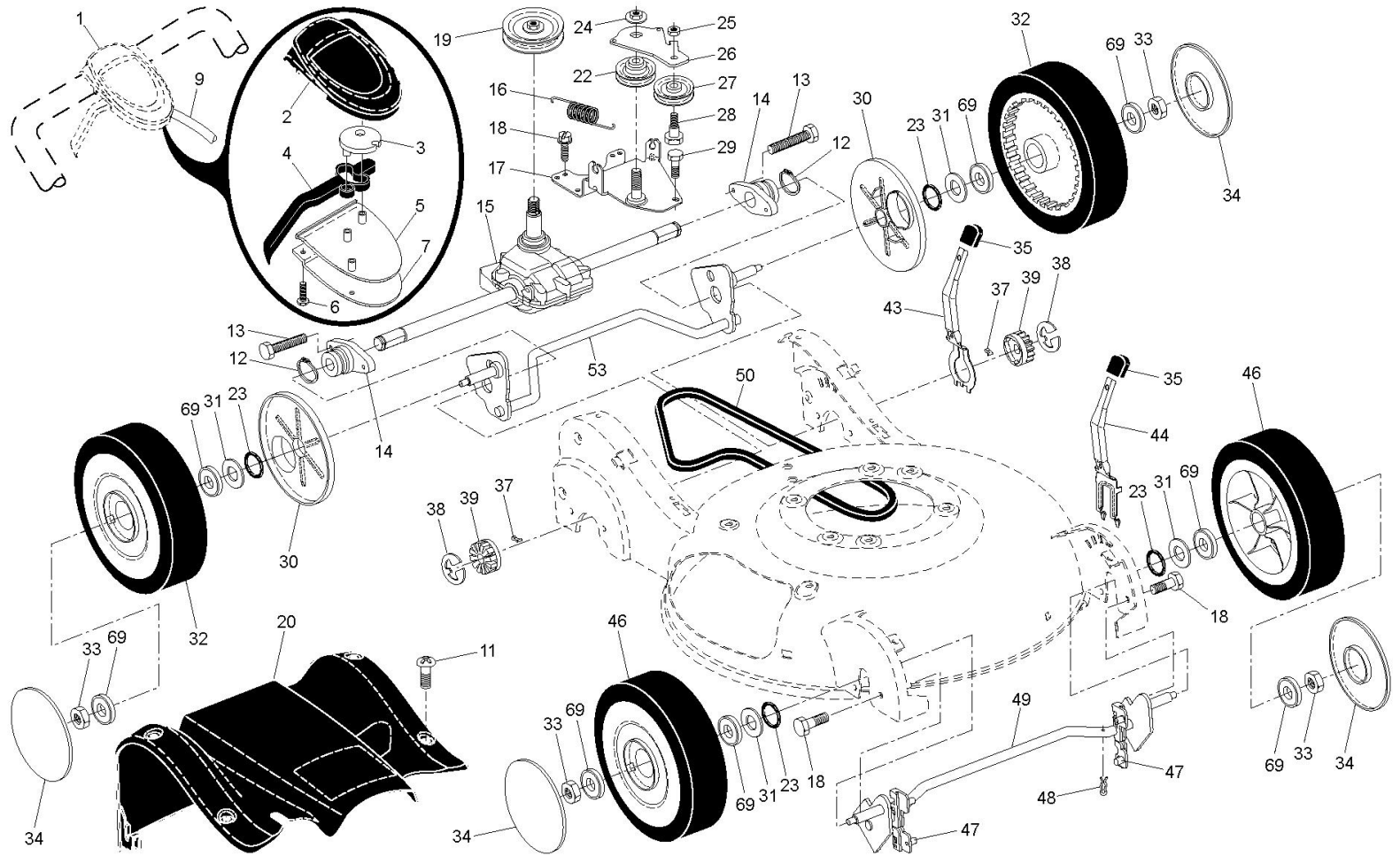


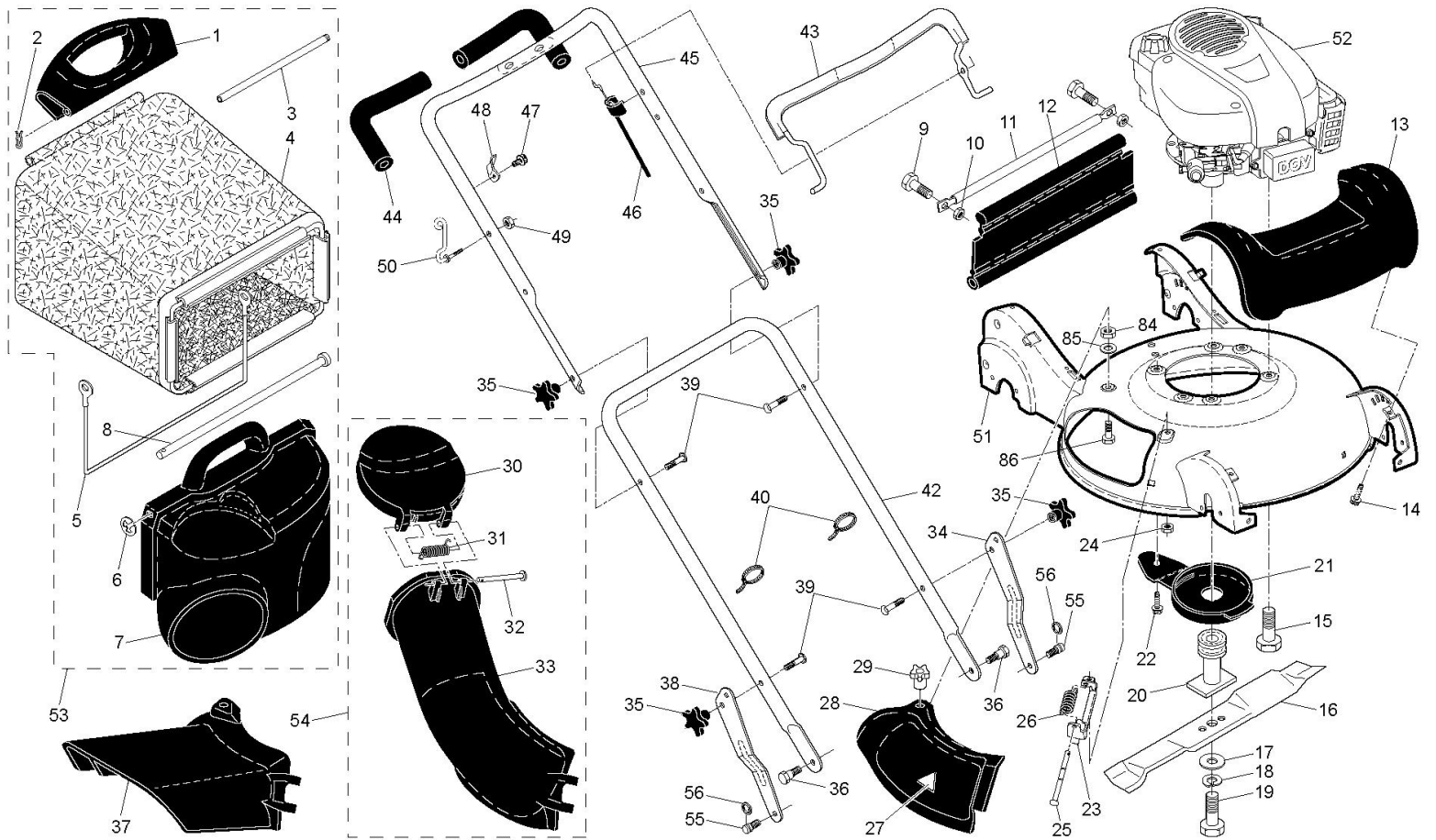
DRIVE



Ref	Part No.	Description	QTY	KIT
1	532 19 70-12	CONTROL	1	
2	532 41 16-73	COVER TOP AUTO WALK CONTROL	1	
3	532 18 73-53	DISC	1	
4	532 19 00-37	ARM	1	
5	532 41 16-64	COVER BOTTOM AUTO WLK CONTROL	1	
6	532 18 16-98	SCREW	1	
7	532 40 07-23	BRACKET	1	
9	532 19 70-11	CABLE	1	
10	532 42 51-46	COVER	1	
11	532 19 41-88	SCREW	1	
12	812 00 00-12	RETAINER RING	1	
13	532 19 41-86	SCREW	1	
14	532 40 80-27	BEARING	1	
15	532 41 92-11	GEARBOX	1	
16	532 40 65-58	SPRING	1	

Ref	Part No.	Description	QTY	KIT
17	532 40 80-05	BELT	1	
18	532 16 34-09	SCREW	1	
19	532 19 40-18	PULLEY	1	
22	532 19 37-91	PULLEY	1	
23	532 19 74-80	O-RING	1	
24	532 40 91-49	NUT	1	
25	873 93 05-00	NUT	1	
26	532 41 67-36	ARM	1	
27	532 16 60-43	PULLEY	1	
28	532 16 08-29	BOLT	1	
29	817 06 04-10	SCREW	1	
30	532 18 34-57	PROTECTOR	1	
31	532 08 83-48	WASHER	1	
32	532 19 26-22	WHEEL	1	
33	532 40 91-48	NUT	1	
34	532 18 34-42	RADKAPPE	1	
35	532 42 52-42	KNOB	1	
37	532 40 48-45	PAWL, DRIVE	1	
38	812 00 00-58	E-CLIP	1	
39	532 40 38-49	PINION	1	
43	532 19 05-20	LEVER	1	
44	532 19 05-18	LEVER	1	
46	532 19 22-32	WHEEL	1	
47	532 18 34-38	BUSHING	1	
48	532 16 96-75	PIN RETAINING SCREW	1	
49	532 19 64-69	SHAFT	1	
50	532 40 80-31	DRIVE BELT	1	
53	532 41 67-40	REAR AXLE	1	
69	532 75 10-68	BEARING	1	

FRAME & ENGINE



Ref	Part No.	Description	QTY	KIT
1	532 19 05-82	HANDLE	1	
2	532 06 53-22	CLAMP	1	
3	532 18 34-83	PIN RETAINING SCREW	1	
4	532 40 18-98	BOX	1	
5	532 18 85-06	FRAME	1	
6	812 00 00-14	RETAINING RING	1	
7	532 19 05-81	BAG	1	
8	532 18 34-79	PIN RETAINING SCREW	1	
9	872 14 04-05	BOLT	1	
10	873 80 04-00	NUT	1	
11	532 19 06-92	PIPE	1	
13	532 41 49-58	COVER	1	
14	532 19 94-22	SCREW	1	
15	532 15 04-06	BOLT	1	
16	532 41 50-76	BLADE	1	
17	532 85 10-74	WASHER	1	
18	532 85 02-63	WASHER	1	
19	532 19 17-60	SCREW	1	

Ref	Part No.	Description	QTY	KIT
20	532 18 67-66	ADAPTER	1	
21	532 19 05-16	SHIELD	1	
22	817 60 04-06	SCREW	1	
23	532 18 36-09	BRACKET	1	
24	532 19 17-30	NUT	1	
25	532 18 34-45	PIN RETAINING SCREW	1	
26	532 18 34-46	SPRING	1	
27	532 18 21-66	DECAL	1	
28	532 19 05-15	PLATE	1	
29	532 18 34-47	KNOB	1	
30	532 19 05-80	PLATE	1	
31	532 18 34-78	SPRING	1	
32	532 18 34-45	PIN RETAINING SCREW	1	
33	532 19 05-78	PIPE	1	
34	532 19 06-19	BRACKET	1	
35	532 18 23-98	KNOB	1	
36	532 19 41-87	BOLT	1	
37	532 18 59-96	DEFLECTOR	1	
38	532 19 06-21	BRACKET	1	
39	532 19 15-74	HANDLE BOLT	1	
40	532 06 64-26	HOOP	1	
42	532 18 70-96	HANDLE	1	
43	532 18 62-98	LEVER	1	
44	532 18 27-48	HANDLE	1	
45	532 18 62-96	HANDLE	1	
46	532 40 88-85	CABLE	1	
47	532 75 06-34	SCREW	1	
48	532 12 52-03	BRACKET	1	
49	532 13 20-04	NUT	1	
50	532 18 85-01	LEVER	1	
51	532 42 04-31	CHASSIS	1	
53	532 40 18-96	BAG	1	
54	532 18 90-14	PIPE	1	
55	532 19 41-92	STUD	1	
56	812 00 00-58	E-CLIP	1	
81	532 19 41-89	SCREW	1	
84	532 40 01-00	NUT	1	
85	532 85 02-63	WASHER	1	
86	872 11 04-07	BOLT	1	
--	532 41 11-47	MANUAL	1	
--	532 41 11-48	MANUAL	1	
--	532 41 11-52	MANUAL	1	
--	532 41 11-49	MANUAL	1	