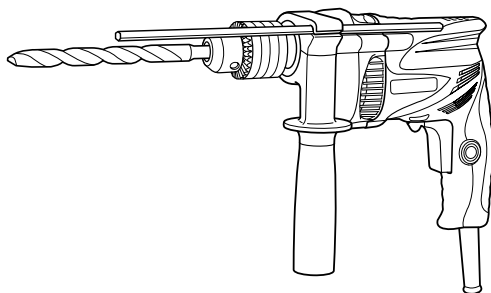


# HITACHI

**Impact Drill**  
**Schlagbohrmaschine**  
**Κρουστικό δραπάνο**  
**Wiertarka udarowa**  
**Ütvefűrógép**  
**Príklepová urtačka**  
**Darbeli matkap**  
**Masina de gaurit cu percutie**  
**Vrtalnik vibracijski**  
**Ударная дрель**

**DV 13SS • DV 13VSS**  
**DV 16SS • DV 16VSS**



Read through carefully and understand these instructions before use.

Diese Anleitung vor Benutzung des Werkzeugs sorgfältig durchlesen und verstehen.

Διαβάστε προσεκτικά και κατανοήστε αυτές τις οδηγίες πριν τη χρήση.

Przed użytkowaniem należy dokładnie przeczytać niniejszą instrukcję i zrozumieć jej treść.

Használat előtt olvassa el figyelmesen a használati utasítást.

Před použitím si pečlivě přečtěte tento návod a ujistěte se, že mu dobře rozumíte.

Aleti kullanmadan önce bu kılavuzu iyice okuyun ve talimatları anlayın.

Înainte de utilizare, citiți cu atenție și înțelegeți prezentele instrucțiuni.

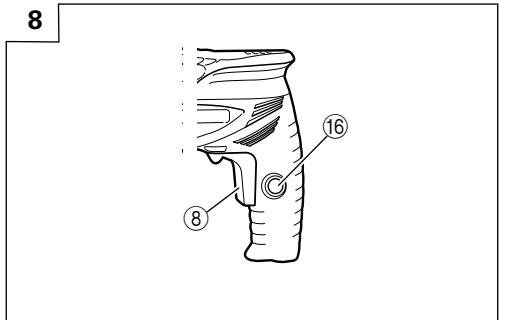
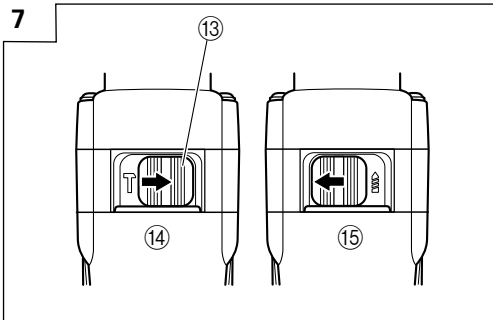
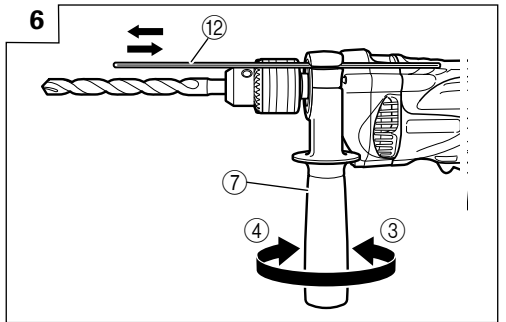
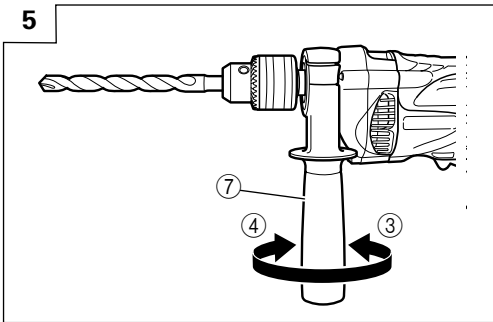
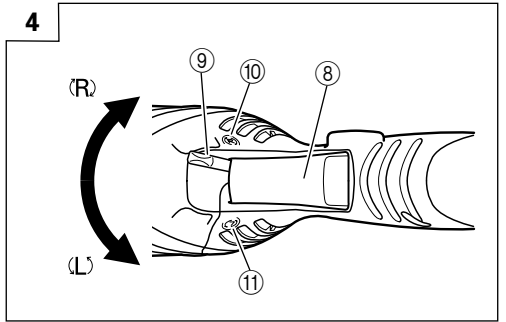
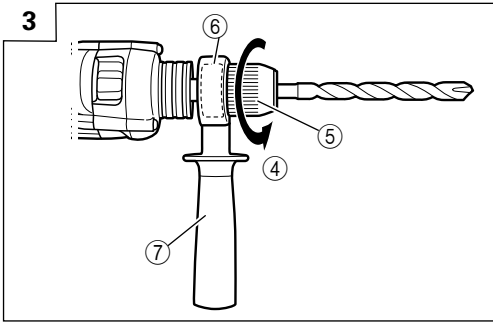
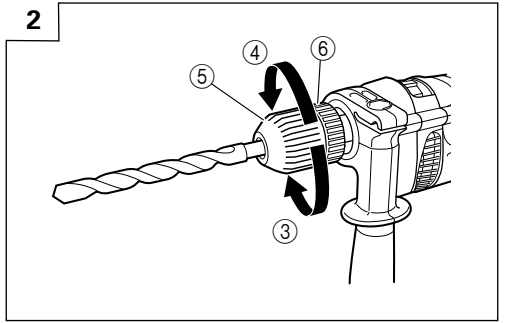
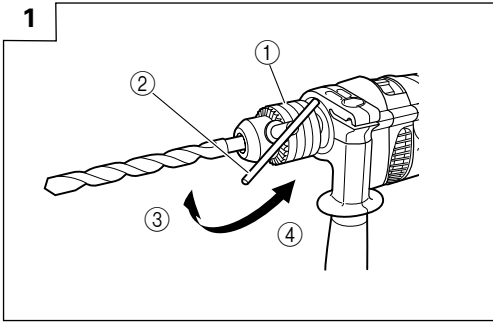
Pred uporabo natančno preberite in razumite ta navodila.

Внимательно прочтите данную инструкцию по эксплуатации прежде чем пользоваться инструментом.

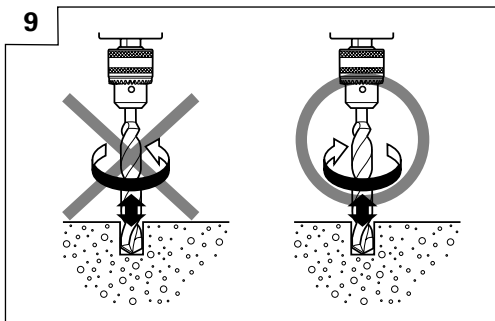


**Handling instructions**  
**Bedienungsanleitung**  
**Οδηγίες χειρισμού**  
**Instrukcja obsługi**  
**Kezelési utasítás**  
**Návod k obsluze**  
**Kullanım talimatları**  
**Instrucțiuni de utilizare**  
**Navodila za rokovanje**  
**Инструкция по эксплуатации**

**Hitachi Koki**







9



	English	Deutsch	Ελληνικά	Polski
①	Drill chuck	Bohrfutter	Σφικτήρας δραπάνου	Uchwyt wiertarski
②	Chuck wrench	Futterschlüssel	Κλειδί σφικτήρα	Klucz do uchwytu wiertarskiego
③	Tighten	Anziehen	Σφίξτε	Dokręcanie
④	Loosen	Lösen	Χαλαρώστε	Luzowanie
⑤	Sleeve	Manschette	Συνδετικός δακτύλιος	Tuleja
⑥	Ring	Ring	Δακτύλιος	Pierścień
⑦	Side handle	Seitengriff	Πλευρική λαβή	Uchwyt boczny
⑧	Switch trigger	Abzugschalter	Σκανδάλη διακόπτης	Spust włącznika
⑨	Rotational change lever	Drehwechselknopf	Περιστροφικός μοχλός αλλαγής	Dźwignia zmiany kierunku obrotów
⑩	(R) mark	Markierung (R)	(R) σημάδι	Symbol (R)
⑪	(L) mark	Markierung (L)	(L) σημάδι	Symbol (L)
⑫	Depth gauge	Tiefenlehre	Μετρητής βάθους	Ogranicznik głębokości
⑬	Change lever	Umschalthebel	Μοχλός αλλαγής	Dźwignia przełącznika
⑭	Impact	Schlagbohre	Κρούση	Uderzenia
⑮	Rotation	Bohren	Περιστροφή	Obroty
⑯	Stopper	Stopper	Στόπερ	Zatyczka

	Magyar	Čeština	Türkçe	Română
①	Fúrótokmány	Sklíčidlo	Matkap mandreni	Prindere burghiu
②	Tokmánykulcs	Klíč sklíčidla	Mandren anahtarı	Cheie eliberare
③	Megszoritani	Utažení	Sıkıştırma	Strângere
④	Kiengedni	Povolení	Gevşetme	Eliberare
⑤	Karmantyú	Objímka	Manşon	Cartuş
⑥	Gyűrű	Kroužek	Halka	Inel
⑦	Oldalfogantyú	Boční držadlo	Yan kol	Mâner lateral
⑧	Kapcsoló	Spoušť	Anahtar tetiği	Trăgaci de schimbare
⑨	Forgásirány-váltó kar	Páčka pro změnu směru otáčení	Dönüşlü deđiştirme kolu	Pîrghie de schimbare rotativă
⑩	(R) - jobbra forgásirány-jelölés	Znak pravého chodu (R)	(R) işaretleri	(R) semn
⑪	(L) - jobbra forgásirány-jelölés	Znak levého chodu (L)	(L) işaretleri	(L) semn
⑫	Mélységmérő	Měřitko hloubky	Derinlik ölçme aleti	Etalon adîncime
⑬	Üzem mód váltó	Přepínač	Deđiştirme kolu	Pîrghie de schimbare
⑭	Terhelés	Přiklep	Darbe	Impact
⑮	Forgás	Rotace	Devir	Rotatie
⑯	Ütköző	Zarážka	Derinlik mesnedi	Dispozitiv de oprire

	Slovenščina	Русский
①	Vrtalna vpenjalna glava	Патрон дрели
②	Ključ za vpenjalno glavo	Ключ патрона
③	Priviti	Затянуть
④	Odviti	Ослабить
⑤	Obojka	Гильза
⑥	Obroč	Кольцо
⑦	Stranska ročica	Боковая рукоятка
⑧	Stikalni sprožilec	Переключатель
⑨	Vrtljivi izbirni vzvod	Рычаг изменения вращения
⑩	Oznaka desno (R)	Знак (R) – влево
⑪	Oznaka levo (L)	Знак (L) – влево
⑫	Merilnik globine	Ограничитель глубины
⑬	Preklopni vzvod	Регулировочный рычаг
⑭	Udarno vrtanje	Удар
⑮	Rotacijsko vrtanje	Вращение
⑯	Mašilo	Стопор

	<b>Symbols</b> <b>⚠ WARNING</b> The following show symbols used for the machine. Be sure that you understand their meaning before use.	<b>Symbole</b> <b>⚠ WARNUNG</b> Die folgenden Symbole werden für diese Maschine verwendet. Achten Sie darauf, diese vor der Verwendung zu verstehen.	<b>Σύμβολα</b> <b>⚠ ΠΡΟΣΟΧΗ</b> Τα παρακάτω δείχνουν τα σύμβολα που χρησιμοποιούνται στο μηχάνημα. Βεβαιωθείτε ότι κατανοείτε τη σημασία τους πριν τη χρήση.	<b>Symbole</b> <b>⚠ OSTRZEŻENIE</b> Następujące oznaczenia to symbole używane w instrukcji obsługi maszyny. Upewnij się, że rozumiesz ich znaczenie zanim użyjesz narzędzia.	<b>Jeļiolēseki</b> <b>⚠ FIGUĻĒLEM</b> Az alábbiakban a géphez alkalmazott jeļiolēseki vannak felsorolva. A gép használatára elótt feltétlenül ismerje meg ezeket a jeļiolēseket.
	<b>Read all safety warnings and all instructions.</b> Failure to follow the warnings and instructions may result in electric shock, fire and/or serious injury.	<b>Lesen Sie sämtliche Sicherheitshinweise und Anweisungen durch.</b> Wenn die Warnungen und Anweisungen nicht befolgt werden, kann es zu Stromschlag, Brand und/oder ernsthaften Verletzungen kommen.	<b>Διαβάστε όλες τις προειδοποιήσεις ασφαλείας και όλες τις οδηγίες.</b> Η μη τήρηση των προειδοποιήσεων και οδηγιών μπορεί να προκαλέσει ηλεκτροπληξία, πυρκαγιά και/ή σοβαρό τραυματισμό.	<b>Należy dokładnie zapoznać się ze wszystkimi ostrzeżeniami i wskazówkami bezpieczeństwa.</b> Nieprzestrzeganie ostrzeżeń oraz wskazówek bezpieczeństwa może spowodować porażenie prądem elektrycznym, pożar i/lub odniesienie poważnych obrażeń.	<b>Olvasson el minden biztonsági figyelmeztetést és minden utasítást.</b> A figyelmeztetések és utasítások be nem tartása áramütést, tüzést és/vagy súlyos sérülést eredményezhet.
	Only for EU countries Do not dispose of electric tools together with household waste material! In observance of European Directive 2002/96/EC on waste electrical and electronic equipment and its implementation in accordance with national law, electric tools that have reached the end of their life must be collected separately and returned to an environmentally compatible recycling facility.	Nur für EU-Länder Werfen Sie Elektrowerkzeuge nicht in den Hausmüll! Gemäss Europäischer Richtlinie 2002/96/EG über Elektro- und Elektronik- Altgeräte und Umsetzung in nationales Recht müssen verbrauchte Elektrowerkzeuge getrennt gesammelt und einer umweltgerechten Wiederverwertung zugeführt werden.	Μόνο για τις χώρες της ΕΕ Μην πετάτε τα ηλεκτρικά εργαλεία στον κάδο οικιακών απορριμμάτων! Σύμφωνα με την ευρωπαϊκή οδηγία 2002/96/ΕΚ περί ηλεκτρικών και ηλεκτρονικών σκευών και την ενσωμάτωση της στο εθνικό δίκαιο, τα ηλεκτρικά εργαλεία πρέπει να συλλέγονται ξεχωριστά και να επιστρέφονται για ανακύκλωση με τρόπο φιλικό προς το περιβάλλον.	Dotyczy tylko państw UE Nie wyrzućaj odpadów z gospodarstwa domowego! Zgodnie z Europejską Dyrektywą 2002/96/WE w sprawie zużytego sprzętu elektrycznego i elektronicznego oraz dostosowaniem jej do prawa krajowego, zużyte elektronarzędzia należy zutylizować w sposób przyjazny dla środowiska.	Csak EU-országok számára Az elektromos kéziszerszámokat ne dobja a háztartási szeméttel! A használt villamos és elektronikai készülékekről szóló 2002/96/EK irányelv és annak a nemzeti jogba való átültetése szerint az elhasznált elektromos kéziszerszámokat külön kell gyűjteni, és környezetbarát módon újra kell hasznosítani.
	<b>Symbols</b> <b>⚠ UPOZORNĚNÍ</b> Následující text obsahuje symboly, které jsou použity na zařízení. Ujistěte se, že rozumíte jejich obsahu před tím, než začnete zařízení používat.	<b>Simgeler</b> <b>⚠ DİKKAT</b> Aşağıda, bu alet için kullanılan simgeler gösterilmektedir. Aleti kullanmadan önce bu simgelerin ne anlama geldiğini anlamalısınız.	<b>Simboluri</b> <b>⚠ AVERTISMENT</b> În cele ce urmează sunt prezentate simbolurile folosite pentru maşină. Înainte de utilizare, asiguraţi-vă că înţelegeţi semnificaţia acestora.	<b>Simboli</b> <b>⚠ OPOZORILO</b> V nadaljevanju so prikazani simboli, uporabljeni pri stroju. Pred uporabo se prepričajte, da jih razumete.	<b>Символы</b> <b>⚠ ПРЕДУПРЕЖДЕНИЕ</b> Ниже приведены символы, используемые для машины. Перед началом работы обязательно убедитесь в том, что Вы понимаете их значение.
	<b>Prečtete si všechna varování týkající se bezpečnosti a všechny pokyny.</b> Nedodržení těchto varování a pokynů může mít za následek elektrický šok, požár a/ nebo vážné zranění.	<b>Tüm güvenliğin uyarılarını ve tüm talimatları okuyun.</b> Uyarılara ve talimatlara uyulmaması elektrik çarpmasına, yangına ve/veya ciddi yaralanmaya neden olabilir.	<b>Citiți toate avertismentele privind siguranța și toate instrucțiunile.</b> Nerespectarea avertismentelor și a instrucțiunilor poate avea ca efect producerea de șocuri electrice, incendii și/sau vătămări grave.	<b>Preberite vas opozorila in navodila.</b> Z neupoštevanjem opozoril in navodil tvegate električni udar, požar in/ali resne telesne poškodbe.	<b>Прочтите все правила безопасности и инструкции.</b> Не выполнение правил и инструкций может привести к поражению электрическим током, пожару и/или серьезной травме.
	Jen pro státy EU Elektrické nářadí nevyhazujte do komunálního odpadu! Podle evropské směrnice 2002/96/EG o nakládání s použitými elektrickými a elektronickými zařízeními a odpovídajících ustanovení právních předpisů jednotlivých zemí se použítá elektrická nářadí musí sbírat odděleně od ostatního odpadu a podrobit ekologicky šetrnému recyklování.	Sadece AB ülkeleri için Elektrikli el aletlerini evdeki çöp kutusuna atmayın! Kullanılmış elektrikli aletleri, elektrik ve elektronikleri eski cihazları hakkındaki 2002/96/EC Avrupa yönetmeliklerine göre ve bu yönetmelik uyarılarının hukuk kurallarına göre uyarılanarak, ayrı olarak toplanmalı ve çevre şartlarına uygun bir şekilde tekrar değerlendirilmeye gönderilmelidir.	Numai pentru țările membre UE Nu aruncați această sculă electrică împreună cu deșeurile menajere! În conformitate cu Directiva Europeană 2002/96/CE referitoare la deșeurile reprezentând echipamente electrice și electronice și la implementarea acesteia în conformitate cu legislațiile naționale, sculele electrice care au ajuns la finalul duratei de folosire trebuie colectate separat și duse la o unitate de reciclare compatibilă cu mediul înconjurător.	Samo za države EU Električni orodij ne zavrzite skupaj z gospodinjiskimi odpadki! V skladu z evropsko direktivo 2002/96/EC o odpadni električni in elektronski opremi in izvedbi v skladu z državnimi zakoni, je treba električna orodja, ki so dosegla življenjsko dobo ločeno zbirati in vrniti v z okoljem združljivo ustanovo za recikliranje.	Только для стран ЕС Не выкидывайте электроприборы вместе с обычным мусором! В соответствии с европейской директивой 2002/96/EG об утилизации старых электрических и электронных приборов и в соответствии с местными законами электроприборы, бывшие в эксплуатации, должны утилизироваться отдельно безопасным для окружающей среды способом.

## GENERAL POWER TOOL SAFETY WARNINGS

### WARNING

Read all safety warnings and all instructions.

Failure to follow the warnings and instructions may result in electric shock, fire and/or serious injury.

Save all warnings and instructions for future reference.

The term "power tool" in the warnings refers to your mains-operated (corded) power tool or battery-operated (cordless) power tool.

#### 1) Work area safety

- a) **Keep work area clean and well lit.**  
*Cluttered or dark areas invite accidents.*
- b) **Do not operate power tools in explosive atmospheres, such as in the presence of flammable liquids, gases or dust.**  
*Power tools create sparks which may ignite the dust or fumes.*
- c) **Keep children and bystanders away while operating a power tool.**  
*Distractions can cause you to lose control.*

#### 2) Electrical safety

- a) **Power tool plugs must match the outlet. Never modify the plug in any way. Do not use any adapter plugs with earthed (grounded) power tools.**  
*Unmodified plugs and matching outlets will reduce risk of electric shock.*
- b) **Avoid body contact with earthed or grounded surfaces, such as pipes, radiators, ranges and refrigerators.**  
*There is an increased risk of electric shock if your body is earthed or grounded.*
- c) **Do not expose power tools to rain or wet conditions.**  
*Water entering a power tool will increase the risk of electric shock.*
- d) **Do not abuse the cord. Never use the cord for carrying, pulling or unplugging the power tool. Keep cord away from heat, oil, sharp edges or moving parts.**  
*Damaged or entangled cords increase the risk of electric shock.*
- e) **When operating a power tool outdoors, use an extension cord suitable for outdoor use.**  
*Use of a cord suitable for outdoor use reduces the risk of electric shock.*
- f) **If operating a power tool in a damp location is unavoidable, use a residual current device (RCD) protected supply.**  
*Use of an RCD reduces the risk of electric shock.*

#### 3) Personal safety

- a) **Stay alert, watch what you are doing and use common sense when operating a power tool.**  
**Do not use a power tool while you are tired or under the influence of drugs, alcohol or medication.**  
*A moment of inattention while operating power tools may result in serious personal injury.*
- b) **Use personal protective equipment. Always wear eye protection.**  
*Protective equipment such as dust mask, non-skid safety shoes, hard hat, or hearing protection used for appropriate conditions will reduce personal injuries.*
- c) **Prevent unintentional starting. Ensure the switch is in the off-position before connecting to power source and/or battery pack, picking up or carrying the tool.**

*Carrying power tools with your finger on the switch or energising power tools that have the switch on invites accidents.*

- d) **Remove any adjusting key or wrench before turning the power tool on.**  
*A wrench or a key left attached to a rotating part of the power tool may result in personal injury.*
- e) **Do not overreach. Keep proper footing and balance at all times.**  
*This enables better control of the power tool in unexpected situations.*
- f) **Dress properly. Do not wear loose clothing or jewellery. Keep your hair, clothing and gloves away from moving parts.**  
*Loose clothes, jewellery or long hair can be caught in moving parts.*
- g) **If devices are provided for the connection of dust extraction and collection facilities, ensure these are connected and properly used.**  
*Use of dust collection can reduce dust related hazards.*

#### 4) Power tool use and care

- a) **Do not force the power tool. Use the correct power tool for your application.**  
*The correct power tool will do the job better and safer at the rate for which it was designed.*
- b) **Do not use the power tool if the switch does not turn it on and off.**  
*Any power tool that cannot be controlled with the switch is dangerous and must be repaired.*
- c) **Disconnect the plug from the power source and/or the battery pack from the power tool before making any adjustments, changing accessories, or storing power tools.**  
*Such preventive safety measures reduce the risk of starting the power tool accidentally.*
- d) **Store idle power tools out of the reach of children and do not allow persons unfamiliar with the power tool or these instructions to operate the power tool.**  
*Power tools are dangerous in the hands of untrained users.*
- e) **Maintain power tools. Check for misalignment or binding of moving parts, breakage of parts and any other condition that may affect the power tool's operation.**  
**If damaged, have the power tool repaired before use.**  
*Many accidents are caused by poorly maintained power tools.*
- f) **Keep cutting tools sharp and clean.**  
*Properly maintained cutting tools with sharp cutting edges are less likely to bind and are easier to control.*
- g) **Use the power tool, accessories and tool bits etc. in accordance with these instructions, taking into account the working conditions and the work to be performed.**  
*Use of the power tool for operations different from those intended could result in a hazardous situation.*

#### 5) Service

- a) **Have your power tool serviced by a qualified repair person using only identical replacement parts.**  
*This will ensure that the safety of the power tool is maintained.*

### PRECAUTION

Keep children and infirm persons away.

When not in use, tools should be stored out of reach of children and infirm persons.

## PRECAUTIONS ON USING IMPACT DRILL

1. **Wear ear protectors with impact drills.**  
Exposure to noise can cause hearing loss.
2. **Use auxiliary handles supplied with the tool.**  
Loss of control can cause personal injury.
3. Before drilling into walls, ceilings or floors, ensure that there are no concealed power cables inside.
4. When boring concrete or similar hard materials in IMPACT mode, turn the rotational change lever to the R-mark. (Fig. 9)

## SPECIFICATIONS

Model	DV13SS	DV13VSS	DV16SS	DV16VSS
Voltage (by areas)*	(110V, 220V, 230V, 240V) ~			
Power input*	550 W		600 W	
Reversible	None	Yes	None	Yes
No load speed	2900 min <sup>-1</sup>	0-2900 min <sup>-1</sup>	2900 min <sup>-1</sup>	0-2900 min <sup>-1</sup>
Drill chuck capacity	13 mm			
Capacity	Steel	13 mm		
	Concrete	13 mm	16 mm	
	Wood	20 mm	25 mm	
Full load impact rate	29000 min <sup>-1</sup>			
Weight (without cord)	1.4 kg		1.5 kg	

\*Be sure to check the nameplate on product as it is subject to change by areas.

## STANDARD ACCESSORIES

Model	Drill chuck spec.	Standard accessories
DV13SS	Keyed	Chuck wrench ..... 1
DV13VSS	Keyed	Chuck wrench ..... 1
	Keyless	Case ..... 1
		Depth gauge ..... 1
Side handle ..... 1		
DV16SS	Keyed	Chuck wrench ..... 1
		Depth gauge ..... 1
		Side handle ..... 1
DV16VSS	Keyed	Chuck wrench ..... 1
		Depth gauge ..... 1
		Side handle ..... 1
	Keyless	Case ..... 1
		Depth gauge ..... 1
Side handle ..... 1		

Standard accessories are subject to change without notice.

## OPTIONAL ACCESSORIES (sold separately)

- Impact Drill Bit (for concrete)  
3.2 mm – 20 mm dia.

Optional accessories are subject to change without notice.

## APPLICATIONS

- By combined actions of ROTATION and IMPACT:  
Boring holes in hard materials (concrete, marble, granite, tiles, etc.)
- By ROTATIONAL action:  
Boring holes in metal, wood and plastic.

## PRIOR TO OPERATION

1. **Power source**  
Ensure that the power source to be utilized conforms to the power requirements specified on the product nameplate.
2. **Power switch**  
Ensure that the power switch is in the OFF position. If the plug is connected to a receptacle while the power switch is in the ON position, the power tool will start operating immediately, inviting serious accident.
3. **Extension cord**  
When the work area is removed from the power source. Use an extension cord of sufficient thickness and rated capacity. The extension cord should be kept as short as practicable.
4. **Selecting the appropriate drill bit**
  - When boring concrete or stone  
Use the drill bits specified in the Optional Accessories.
  - When boring metal or plastic  
Use an ordinary metalworking drill bit.
  - When boring wood  
Use an ordinary woodworking drill bit.  
However, when drilling 6.5 mm or smaller holes, use a metalworking drill bit.
5. **Mounting and dismounting of the bit**

**For Drill chuck with chuck wrench (Fig. 1)**

  - (1) Open the chuck jaws, and insert the bit into the chuck.
  - (2) Place the chuck wrench in each of the three holes in the chuck, and turn it in the clockwise direction (viewed from the front side). Tighten securely.
  - (3) To remove the bit, place the chuck wrench into one of the holes in the chuck and turn it in the counterclockwise direction.

## For keyless chuck (Fig. 2)

- (1) Open the chuck jaws, and insert the bit into the chuck.

To open the chuck jaws, hold the ring while turning the sleeve in the counterclockwise direction (viewed from the front side).

- (2) Firmly grasp the ring and turn the sleeve in the clockwise direction. Tighten securely.
- (3) To remove the bit, firmly grasp the ring and turn the sleeve in the counterclockwise direction.
- (4) When the sleeve does not become loose any further, fix the side handle to retaining ring, hold side handle firmly, then turn the sleeve to loosen by hand. (Fig. 3)

## 6. Check the rotational direction (Fig. 4) (DV13VSS, DV16VSS only)

The bit rotates clockwise (viewed from the rear side) by turning the rotational change lever to R-mark.

The rotational change lever is returned to the L-mark to turn the bit counterclockwise.

(The (L) and (R) marks are provided on the body.)

### CAUTION

Always use the impact drill with clockwise rotation, when using it as an impact drill.

## 7. Fixing the side handle (Fig. 5)

Attach the side handle to the mounting part.

Rotate the side handle grip in a clockwise direction to secure it.

Set the side handle to a position that is suited to the operation and then securely tighten the side handle grip.

To attach a depth gauge on the side handle, insert the gauge into the U-shaped groove on the side handle, adjust the position of the depth gauge in accordance with the desired depth of the hole, and firmly tighten the side handle grip. (Fig. 6)

## 8. IMPACT to ROTATION changeover (Fig. 7)

Shift the change lever between the right and left positions to switch easily between IMPACT (rotation and impact) and ROTATION (rotation only), respectively.

To bore holes in hard materials such as concrete, stone and tiles, shift the change lever to the right-hand position (as indicated by the **T** mark).

The drill bit operates by the combined actions of impact and rotation.

To bore holes in metal, wood and plastic, shift the change lever to the left-hand position (as indicated by the **I** mark). The drill bit operates by rotational action only, as in the case of a conventional electric drill.

### CAUTION

- Do not use the Impact Drill in the IMPACT function if the material can be bored by rotation only. Such action will not only reduce drill efficiency, but may also damage the drill tip.
- Operating the Impact Drill with the change lever in mid-position may result in damage. When switching, make sure that you shift the change lever to the correct position.

## HOW TO USE

### 1. Switch operation (Fig. 8)

- When the trigger is depressed, the tool rotates. When the trigger is released, the tool stops.

- Pulling the trigger and pushing the stopper, it keeps the switched-on condition which is convenient for continuous running. When switching off, the stopper can be disconnected by pulling the trigger again.

< DV13VSS, DV16VSS only >

- The rotational speed of the drill can be controlled by varying the amount that the trigger switch is pulled. Speed is low when the trigger switch is pulled slightly and increases as the trigger switch is pulled more.

## 2. When using as a Drill or an Impact Drill

- (1) Pressing force of the drill

You cannot drill holes more quickly even if you press the drill with a stronger force than necessary. It not only damages tip of drill bit and decreases the efficiency of operation, but also shortens the life of the drill tip.

- (2) In case of penetrating holes

Drill bits can be broken when the material being drilled is penetrated. It is important to decrease pressing force just before penetrating.

### CAUTION

In continuous operation, conduct no-load operation for five seconds after completing a drilling job.

- (3) When a thick drill bit is used

Your arm is subjected to larger reaction force when a thicker drill bit is used. Be careful not to be moved by the reaction force. For this, establish a foothold, hold the unit tightly with both hands perpendicularly to the material being drilled.

## MAINTENANCE AND INSPECTION

### 1. Inspecting the drill bits

Since use of an abraded drill bits will cause motor malfunctioning and degraded efficiency, replace the drill bits with a new one or resharpening without delay when abrasion is noted.

### 2. Inspecting the mounting screws

Regularly inspect all mounting screws and ensure that they are properly tightened. Should any of the screws be loose, retighten them immediately. Failure to do so could result in serious hazard.

### 3. Maintenance of the motor

The motor unit winding is the very "heart" of the power tool. Exercise due care to ensure the winding does not become damaged and/or wet with oil or water.

### 4. Inspecting the carbon brushes

For your continued safety and electrical shock protection, carbon brush inspection and replacement on this tool should ONLY be performed by a HITACHI AUTHORIZED SERVICE CENTER.

### 5. Service parts list

- A: Item No.
- B: Code No.
- C: No. Used
- D: Remarks

### CAUTION

Repair, modification and inspection of Hitachi Power Tools must be carried out by a Hitachi Authorized Service Center.

This Parts List will be helpful if presented with the tool to the Hitachi Authorized Service Center when requesting repair or other maintenance.

In the operation and maintenance of power tools, the safety regulations and standards prescribed in each country must be observed.



**MODIFICATIONS**

Hitachi Power Tools are constantly being improved and modified to incorporate the latest technological advancements.

Accordingly, some parts (i.e. code numbers and/or design) may be changed without prior notice.

---

**GUARANTEE**

---

We guarantee Hitachi Power Tools in accordance with statutory/country specific regulation. This guarantee does not cover defects or damage due to misuse, abuse, or normal wear and tear. In case of complaint, please send the Power Tool, undismantled, with the GUARANTEE CERTIFICATE found at the end of this Handling instruction, to a Hitachi Authorized Service Center.

---

**NOTE**

Due to HITACHI's continuing program of research and development, the specifications herein are subject to change without prior notice.

---

**Information concerning airborne noise and vibration**

The measured values were determined according to EN50144.

The typical A-weighted sound pressure level: 99 dB (A).

The typical A-weighted sound power level: 112 dB (A).

Uncertainty KpA: 3 dB (A).

Wear ear protection.

The typical weighted root mean square acceleration value: 10.5 m/s<sup>2</sup>.

---

---

## ALLGEMEINE SICHERHEITSHINWEISE FÜR ELEKTROGERÄTE

### WARNUNG

Lesen Sie sämtliche Sicherheitshinweise und Anweisungen durch. Wenn die Warnungen und Anweisungen nicht befolgt werden, kann es zu Stromschlag, Brand und/oder ernsthaften Verletzungen kommen.

Bitte bewahren Sie alle Warnhinweise und Anweisungen zum späteren Nachschlagen auf.

Der Begriff „Elektrowerkzeug“ bezieht sich in den Warnhinweisen auf Elektrowerkzeuge mit Netz- (schnurgebunden) oder Akkubetrieb (schnurlos).

#### 1) Sicherheit im Arbeitsbereich

- a) Sorgen Sie für einen sauberen und gut ausgeleuchteten Arbeitsbereich.

*Zugestellte oder dunkle Bereiche ziehen Unfälle förmlich an.*

- b) Verwenden Sie Elektrowerkzeuge niemals an Orten, an denen Explosionsgefahr besteht – zum Beispiel in der Nähe von leicht entflammaren Flüssigkeiten, Gasen oder Stäuben.

*Bei der Arbeit mit Elektrowerkzeugen kann es zu Funkenbildung kommen, wodurch sich Stäube oder Dämpfe entzünden können.*

- c) Sorgen Sie bei der Arbeit mit Elektrowerkzeugen dafür, dass sich keine Zuschauer (insbesondere Kinder) in der Nähe befinden.

*Wenn Sie abgelenkt werden, können Sie die Kontrolle über das Werkzeug verlieren.*

#### 2) Elektrische Sicherheit

- a) Elektrowerkzeuge müssen mit passender Stromversorgung betrieben werden.

*Nehmen Sie niemals irgendwelche Änderungen am Anschlussstecker vor.*

*Verwenden Sie bei Elektrowerkzeugen mit Schutzkontakt (geerdet) niemals Adapterstecker. Stecker im Originalzustand und passende Steckdosen reduzieren das Stromschlagrisiko.*

- b) Vermeiden Sie Körperkontakt mit geerdeten Gegenständen wie Rohrleitungen, Heizungen, Herden oder Kühlschränken.

*Bei Körperkontakt mit geerdeten Gegenständen besteht ein erhöhtes Stromschlagrisiko.*

- c) Setzen Sie Elektrowerkzeuge niemals Regen oder sonstiger Feuchtigkeit aus.

*Wenn Flüssigkeiten in ein Elektrowerkzeug eindringen, erhöht sich das Stromschlagrisiko.*

- d) Verwenden Sie die Anschlusschnur nicht missbräuchlich. Tragen Sie das Elektrowerkzeug niemals an der Anschlusschnur, ziehen Sie es nicht damit heran und ziehen Sie den Stecker nicht an der Anschlusschnur aus der Steckdose.

*Halten Sie die Anschlusschnur von Hitzequellen, Öl, scharfen Kanten und beweglichen Teilen fern. Beschädigte oder verdrehte Anschlusschnüre erhöhen das Stromschlagrisiko.*

- e) Wenn Sie ein Elektrowerkzeug im Freien benutzen, verwenden Sie ein für den Außeneinsatz geeignetes Verlängerungskabel.

*Ein für den Außeneinsatz geeignetes Kabel vermindert das Stromschlagrisiko.*

- f) Falls sich der Betrieb des Elektrowerkzeuges in feuchter Umgebung nicht vermeiden lässt, verwenden Sie eine Stromversorgung mit Fehlerstromschutzeinrichtung (Residual Current Device, RCD).

*Durch den Einsatz einer Fehlerstromschutzeinrichtung wird das Risiko eines elektrischen Schlages reduziert.*

#### 3) Persönliche Sicherheit

- a) Bleiben Sie wachsam, achten Sie auf das, was Sie tun, und setzen Sie Ihren Verstand ein, wenn Sie mit Elektrowerkzeugen arbeiten.

*Benutzen Sie keine Elektrowerkzeuge, wenn Sie müde sind oder unter Einfluss von Drogen, Alkohol oder Medikamenten stehen.*

*Bei der Arbeit mit Elektrowerkzeugen können bereits kurze Phasen der Unaufmerksamkeit zu schweren Verletzungen führen.*

- b) Benutzen Sie eine persönliche Schutzausrüstung. Tragen Sie immer einen Augenschutz.

*Schutzausrüstung wie Staubmaske, rutschsichere Sicherheitsschuhe, Schutzhelm und Gehörschutz senken das Verletzungsrisiko bei angemessenem Einsatz.*

- c) Vermeiden Sie unbeabsichtigten Anlauf. Achten Sie darauf, dass sich der Schalter in der Aus- (Off-) Position befindet, ehe Sie das Gerät mit der Stromversorgung und/oder Batteriestromversorgung verbinden, es aufheben oder herumtragen.

*Das Herumtragen von Elektrowerkzeugen mit dem Finger am Schalter oder das Herstellen der Stromversorgung bei betätigtem Schalter zieht Unfälle regelrecht an.*

- d) Entfernen Sie sämtliche Einstellwerkzeuge (Einstellschlüssel), ehe Sie das Elektrowerkzeug einschalten.

*Ein an einem beweglichen Teil des Elektrowerkzeugs angebrachter Schlüssel kann zu Verletzungen führen.*

- e) Sorgen Sie für einen festen Stand. Achten Sie jederzeit darauf, sicher zu stehen und das Gleichgewicht zu bewahren.

*Dadurch haben Sie das Elektrowerkzeug in unerwarteten Situationen besser im Griff.*

- f) Kleiden Sie sich richtig. Tragen Sie keine lose Kleidung oder Schmuck. Halten Sie Haar, Kleidung und Handschuhe von beweglichen Teilen fern.

*Lose Kleidung, Schmuck oder langes Haar kann von beweglichen Teilen erfasst werden.*

- g) Wenn Anschlüsse für Staubabsaug- und -sammelvorrichtungen vorhanden sind, sorgen Sie dafür, dass diese richtig angeschlossen und eingesetzt werden.

*Durch Entfernen des Staubes können staubbezogene Gefahren vermindert werden.*

#### 4) Einsatz und Pflege von Elektrowerkzeugen

- a) Überansprechen Sie Elektrowerkzeuge nicht. Benutzen Sie das richtige Elektrowerkzeug für Ihren Einsatzzweck.

*Das richtige Elektrowerkzeug erledigt seine Arbeit bei bestimmungsgemäßem Einsatz besser und sicherer.*

- b) Benutzen Sie das Elektrowerkzeug nicht, wenn es sich nicht am Schalter ein- und ausschalten lässt.

*Jedes Elektrowerkzeug, das nicht mit dem Schalter betätigt werden kann, stellt eine Gefahr dar und muss repariert werden.*

- c) Stecken Sie den Stecker der Stromversorgung oder Batteriestromversorgung vom Gerät ab, ehe Sie Einstellarbeiten vornehmen, Zubehörteile tauschen oder das Elektrowerkzeug verstauen.

*Solche präventiven Sicherheitsmaßnahmen verhindern den unbeabsichtigten Anlauf des Elektrowerkzeugs und die damit verbundenen Gefahren.*

- d) Lagern Sie nicht benutzte Elektrowerkzeuge außerhalb der Reichweite von Kindern, lassen Sie nicht zu, dass Personen das Elektrowerkzeug bedienen, die nicht mit dem Werkzeug selbst und/oder diesen Anweisungen vertraut sind.

*Elektrowerkzeuge in ungeschulten Händen sind gefährlich. Halten Sie Elektrowerkzeuge in Stand. Prüfen Sie auf Fehlausrichtungen, sicheren Halt und Leichtgängigkeit beweglicher Teile, Beschädigungen von Teilen und auf jegliche andere Zustände, die sich auf den Betrieb des Elektrowerkzeugs auswirken können.*

Bei Beschädigungen lassen Sie das Elektrowerkzeug reparieren, ehe Sie es benutzen.

Viele Unfälle mit Elektrowerkzeugen sind auf schlechte Wartung zurückzuführen.

f) Halten Sie Schneidwerkzeuge scharf und sauber. Richtig gewartete Schneidwerkzeuge mit scharfen Schneidkanten bleiben weniger häufig hängen und sind einfacher zu beherrschen.

g) Benutzen Sie Elektrowerkzeuge, Zubehör, Werkzeugspitzen und Ähnliches in Übereinstimmung mit diesen Anweisungen – beachten Sie dabei die jeweiligen Arbeitsbedingungen und die Art und Weise der auszuführenden Arbeiten.

Der Gebrauch des Elektrowerkzeuges für andere als die vorgesehenen Anwendungen kann zu gefährlichen Situationen führen.

5) Service

a) Lassen Sie Elektrowerkzeuge durch qualifizierte Fachkräfte und unter Einsatz passender, zugelassener Originalteile warten.

Dies sorgt dafür, dass die Sicherheit des Elektrowerkzeuges nicht beeinträchtigt wird.

**VORSICHT**

Von Kindern und gebrechlichen Personen fernhalten.

Werkzeuge sollten bei Nichtgebrauch außerhalb der Reichweite von Kindern und gebrechlichen Personen aufbewahrt werden.

**VORSICHTSMASSNAHMEN FÜR DIE BENUTZUNG DER SCHLAGBOHRMASCHINE**

1. Tragen Sie bei der Arbeit mit Schlagbohrmaschinen einen Gehörschutz.

Starke und/oder dauerhafte Lärmbelastung kann zu Gehörverlust führen.

2. Benutzen Sie die mit dem Werkzeug gelieferten Zusatzgriffe.

Wenn Sie die Kontrolle über das Werkzeug verlieren, kann es zu Verletzungen kommen.

3. Bevor man in Wände, in Decken oder Boden bohrt, muß man sich davon überzeugen, daß keine elektrischen Kabel oder Kabelrohre darunter liegen.

4. Beim Bohren von Beton oder anderen harten Materialien, drehen Sie den Drehwechselknopf auf die R-Markierung. (Abb. 9)

**TECHNISCHE DATEN**

Modell	DV13SS	DV13VSS	DV16SS	DV16VSS
Spannung (je nach Gebiet)*	(110V, 220V, 230V, 240V) ~			
Leistungsaufnahme*	550 W		600 W	
Umkehrbar	Keine	Ja	Keine	Ja
Leerlaufdrehzahl	2900 min <sup>-1</sup>	0–2900 min <sup>-1</sup>	2900 min <sup>-1</sup>	0–2900 min <sup>-1</sup>
Spannfutterkapazität	13 mm			
Kapazität	Stahl	13 mm		
	Beton	13 mm	16 mm	
	Holz	20 mm	25 mm	
Vollastschlagzahl	29000 min <sup>-1</sup>			
Gewicht (ohne Kabel)	1,4 kg		1,5 kg	

\*Vergessen Sie nicht, die Produktangaben auf dem Typenschild zu überprüfen, da sich diese je nach Verkaufsgebiet ändern.

**STANDARDZUBEHÖR**

Modell	Technische Daten Bohrfutter	Standardzubehör
DV13SS	Mit Schlüssel	Futterschlüssel ..... 1
DV13VSS	Mit Schlüssel	Futterschlüssel ..... 1
	Ohne Schlüssel	Gehäuse ..... 1
		Tiefenlehre ..... 1
Seitengriff ..... 1		
DV16SS	Mit Schlüssel	Futterschlüssel ..... 1
		Tiefenlehre ..... 1
		Seitengriff ..... 1
DV16VSS	Mit Schlüssel	Futterschlüssel ..... 1
		Tiefenlehre ..... 1
		Seitengriff ..... 1
	Ohne Schlüssel	Gehäuse ..... 1
		Tiefenlehre ..... 1
Seitengriff ..... 1		

Das Standardzubehör kann ohne vorherige Bekanntmachung jederzeit geändert werden.

**SONDERZUBEHÖR (separat zu beziehen)**

- Schlagbohrer (für Beton)  
3,2 mm bis 20 mm Durchmesser
- Das sonderzubehör kann ohne vorherige Bekanntmachung jederzeit geändert werden.

**ANWENDUNGEN**

- Kombierter Betrieb von DREHUNG und STOSS:  
Bohren von Löchern in harten Flächen (Beton, Marmor, Granit, Kachel, etc.)
- Betrieb durch einfache DREHUNG:  
Bohren von Löchern in Metall, Holz und plastisches Material.

**VOR INBETRIEBNAHME**

1. **Netzspannung**  
Prüfen, daß die zu verwendende Netzspannung der Angabe auf dem Typenschild entspricht.

## 2. Netzschalter

Prüfen, daß der Netzschalter auf "AUS" steht. Wenn der Stecker an das Netz angeschlossen ist, Während der Schalter auf "EIN" steht, beginnt das Werkzeug sofort zu laufen und bedeutet ernsthafte Gefahr.

## 3. Verlängerungskabel

Wenn der Arbeitsbereich nicht in der Nähe des Netzanschlusses liegt, ist ein Verlängerungskabel ausreichenden Querschnitts und ausreichender Nennleistung zu verwenden. Das Verlängerungskabel sollte so kurz wie möglich gehalten werden.

## 4. Wahl des geeigneten Bohrers

- Beim Bohren von Beton oder Stein Die unter Sonderzubehör aufgeführten Bohrer verwenden.
- Beim Bohren von Metall oder Kunststoff Einen normalen Metallbohrer verwenden.
- Beim Bohren von Holz Einen normalen Holzspiralbohrer verwenden. Für Löcher von 6,5 mm oder kleiner wird ein Metallbohrer verwendet.

## 5. Anbringen und Abnehmen der Werkzeugschneide

### Für Bohrfutter mit Futterschlüssel (Abb. 1)

- (1) Öffnen Sie die Spannbacken des Futters und schieben Sie den Bohrer in das Futter.
- (2) Schieben Sie den Futterschlüssel in jedes der drei Löcher des Spannftutters ein und drehen Sie den Schlüssel im Uhrzeigersinn (von der Vorderseite her gesehen). Ziehen Sie fest an.
- (3) Schieben Sie zum Entfernen des Bohrers den Futterschlüssel in eins der Löcher des Spannftutters und drehen Sie ihn gegen den Uhrzeigersinn.

### Für ein schlüsselfreies Spannftutter (Abb. 2)

- (1) Öffnen Sie die Spannbacken des Futters und schieben Sie den Bohrer in das Futter. Halten Sie zum Öffnen der Spannbacken den Ring fest und drehen Sie die Manschette entgegen dem Uhrzeigersinn (von vorne betrachtet).
- (2) Halten Sie den Ring fest und drehen Sie die Muffe im Uhrzeigersinn. Ziehen Sie fest an.
- (3) Halten Sie zum Entfernen des Bohrers den Ring fest und drehen Sie die Muffe entgegen dem Uhrzeigersinn.
- (4) Wenn sich die Buchse nicht weiter lockern läßt, so fixieren Sie den Seitengriff am Haltering, halten Sie den Seitengriff fest, und drehen Sie dann die Buchse, um sie von Hand zu lösen. (Abb. 3)

## 6. Überprüfen der Drehrichtung (Abb. 4) (Nur DV13VSS, DV16VSS)

Der Bohrer dreht sich im Uhrzeigersinn (gesehen von hinten), indem der Drehwechsellknopf auf die R-Markierung gedreht wird. Der Drehwechsellknopf wird auf die L-Markierung zurückgestellt, um den Bohren entgegen dem Uhrzeigersinn zu drehen. (Die Markierungen (L) und (R)) befinden sich auf dem Körper der Bohrmaschine.)

### VORSICHT

Immer den Schlagbohrschrauber im Uhrzeigersinn betätigen, wenn er als Stoßbohrer gebraucht wird.

## 7. Anbringen des Handgriffes (Abb. 5)

Den Handgriff an der Halterung anbringen. Den Griff des Handgriffs zum Befestigen im Uhrzeigersinn drehen.

Den Handgriff in eine Position stellen, die der Bedienung angemessen ist, und dann den Handgriff sicher befestigen. Zum Anbringen des Tiefenanschlags am Handgriff die Anschlagstange in die U-förmige Rille des Handgriffs einsetzen, den Tiefenanschlag auf die gewünschte Lochtiefe einstellen und den Seitenhandgriff fest anziehen. (Abb. 6)

## 8. Umstellung von SCHLAGBOHREFUNKTION auf BOHREN (Abb. 7)

Den Umschalthebel zwischen der rechten und der linken Position umschalten, um zwischen IMPACT (Schlagen und Drehen) und ROTATION (nur Drehen) umzuschalten.

Zum Bohren von Löchern in harten Materialien wie Beton oder Dachziegeln den Umschalthebel zur rechten Position (wie durch die Markierung **T** angezeigt) umschalten. Der Bohrer führt dann Schlagbohren durch eine Kombination von Schlag und Drehen durch.

Zum Bohren von Löchern in Metall, Holz oder Plastik den Umschalthebel zur linken Position (wie durch die Markierung **⚡** angezeigt) umschalten. Der Bohrer arbeitet dann wie ein herkömmlicher Elektrobohrer nur durch Drehung.

### VORSICHT

- Den Schlagbohrer nicht mit der Schlagbohrfunktion verwenden, wenn sich das Material in reiner Bohrfunktion bohren läßt. Dadurch wird nicht nur die Leistung des Bohrers vermindert, sondern es kann auch die Bohrspitze beschädigt werden.
- Betrieb des Schlagbohrers mit dem Umschalthebel in mittlerer Stellung kann Beschädigung verursachen. Beim Umschalten immer sicherstellen, dass der Umschalthebel in die richtige Position geschaltet wird.

## VERWENDUNG

### 1. Schalterbetätigung (Abb. 8)

- Wenn der Abzugschalter durchgedrückt wird, dreht sich das Werkzeug. Wenn der Abzugschalter losgelassen wird, hält das Werkzeug an.
- Wenn der Abzugschalter durchgedrückt und der Stopper gedrückt wird, bleibt die Maschine eingeschaltet, was angenehm für kontinuierliche Verwendung ist. Zum Ausschalten kann der Stopper durch erneutes Durchdrücken des Abzugschalters freigegeben werden.

< Nur DV13VSS, DV16VSS >

- Die Drehzahl des Bohrers kann durch entsprechendes Durchziehen des Abzugschalters geregelt werden. Wenn der Abzugschalter nur leicht durchgedrückt wird, ist die Drehzahl niedrig, und sie nimmt zu, wenn der Abzugschalter stärker durchgedrückt wird.

### 2. Gebrauch des Werkzeuges als Bohrer oder Spitzbohrer

#### (1) Aufdruckkraft

Die Löcher werden nicht schneller gebohrt werden, wenn dazu mehr Abdruckkraft als nötig auf das Werkzeug ausgeübt wird. Nicht nur würde dadurch die Bohrspitze beschädigt und die Leistung vermindert werden, sondern die Lebensdauer des Werkzeuges würde sich auch verkürzen.

- (2) LÖcherbohren  
Um zu vermeiden, daß die Bohrerspitze beim Bohren bricht, ist es wichtig die Aufdruckkraft am Anfang der Bohrerbeit zu verringern.

**VORISCHT**

Für Dauerbetrieb, ungegüher 5 Sekunden nach Beendigung einer Bohrarbeit leerlaufen lassen.

- (3) Gebrauch einer dicken Bohrerspitze  
Bei Gebrauch einer dicken Bohrerspitze wird Ihr Arm einer größeren Kraftanwendung unterworfen, Lassen Sie sich dadurch nicht mitreißen. Eine feste Stelle an der man Fuß fassen kann vorsehen, das Werkzeug mit beiden Händen und senkrecht ans Arbeitsmaterial halten.

---

## WARTUNG UND INSPEKTION

---

**1. Inspektion der Bohrer**

Da ein abgenutzter Bohrer Fehlfunktion des Motors und verringerte Wirksamkeit verursacht, sollten Sie die Bohrer sofort schärfen durch neue ersetzen, wenn Verschleiß festgestellt wird.

**2. Inspektion der Befestigungsschraube**

Alle Befestigungsschrauben werden regelmäßig inspiziert und geprüft, daß sie richtig angezogen sind. Wenn sich eine der Schrauben lockert, muß sie sofort wieder angezogen Werden. Geschieht das nicht, kann das zu erheblicher Gefahr führen.

**3. Wartung des Motors**

Die Motorwicklung ist das "Herz" des Elektrowerkzeugs. Daher ist besonders sorgfältig darauf zu achten, daß die Wicklung nicht beschädigt und/oder mit Öl oder Wasser benetzt wird.

**4. Inspektion der Kohlebürsten**

Zur Erhaltung Ihrer Sicherheit und des Schutzes gegen elektrischen Schlag sollten Inspektion und Auswechseln der Kohlebürsten NUR DURCH EIN AUTORISIERTES HITACHI-WARTUNGSZENTRUM durchgeführt werden.

**5. Liste der Wartungsteile**

- A: Punkt Nr.  
B: Code Nr.  
C: Verwendete Anzahl  
D: Bemerkungen

**ACHTUNG**

Reparatur, Modifikation und Inspektion von Hitachi-Elektrowerkzeugen müssen durch ein autorisiertes Hitachi-Kundendienstzentrum durchgeführt werden. Diese Teileliste ist hilfreich, wenn sie dem autorisierten Hitachi-Kundendienstzentrum zusammen mit dem Werkzeug für Reparatur oder Wartung ausgehändigt wird.

Bei Betrieb und Wartung von Elektrowerkzeugen müssen die Sicherheitsvorschriften und Normen beachtet werden.

**MODIFIKATIONEN**

Hitachi-Elektrowerkzeuge werden fortwährend verbessert und modifiziert, um die neuesten technischen Fortschritte einzubauen.

Dementsprechend ist es möglich, daß einige Teile (z.B. Codenummern bzw. Entwurf) ohne vorherige Benachrichtigung geändert werden.

---

## GARANTIE

---

Auf Hitachi-Elektrowerkzeuge gewähren wir eine Garantie unter Zugrundelegung der jeweils geltenden gesetzlichen und landesspezifischen Bedingungen. Dieses Garantie erstreckt sich nicht auf Gehäusedefekte und nicht auf Schäden, die auf Missbrauch, bestimmungswidrigen Einsatz oder normalen Verschleiß zurückzuführen sind. Im Schadensfall senden Sie das nicht zerlegte Elektrowerkzeug zusammen mit dem GARANTIESCHEIN, den Sie am Ende der Bedienungsanleitung finden, an ein von Hitachi autorisiertes Servicecenter.

---

## HINWEIS

Aufgrund des ständigen Forschungs - und Entwicklungsprogramms von HITACHI sind Änderungen der hierin gemachten technischen Angaben vorbehalten.

---



---

## Information über Betriebslärm und Vibration

Die Meßwerte wurden entsprechend EN50144 bestimmt.

Der typische A-gewichtete Schalldruck ist 99 dB (A).  
Der typische A-gewichtete Schalleistungspegel ist 112 dB (A).  
Messunsicherheit KpA: 3 dB (A).

Bei der Arbeit immer einen Ohrenschutz tragen.

Der typische gewogene quadratische Mittelwert für die Beschleunigung ist 10,5 m/s<sup>2</sup>.

---

## ΓΕΝΙΚΕΣ ΠΡΟΕΙΔΟΠΟΙΗΣΕΙΣ ΑΣΦΑΛΕΙΑΣ ΗΛΕΚΤΡΙΚΟΥ ΕΡΓΑΛΕΙΟΥ

### ⚠ ΠΡΟΣΟΧΗ

Διαβάστε όλες τις προειδοποιήσεις ασφαλείας και όλες τις οδηγίες.

Η μη τήρηση των προειδοποιήσεων και οδηγιών μπορεί να προκαλέσει ηλεκτροπληξία, πυρκαγιά και/ή σοβαρό τραυματισμό.

Φυλάξτε όλες τις προειδοποιήσεις και τις οδηγίες για μελλοντική αναφορά.

Ο όρος "ηλεκτρικό εργαλείο" στις προειδοποιήσεις αναφέρεται στο ηλεκτρικό εργαλείο (με καλώδιο) που λειτουργεί στους αγωγούς ή στο ηλεκτρικό εργαλείο που λειτουργεί στη μπαταρία (χωρίς καλώδιο).

#### 1) Ασφάλεια χώρου εργασίας

- Διατηρείτε το χώρο εργασίας καθαρό και καλά φωτισμένο.**  
Σε ακατάστατες ή σκοτεινές περιοχές μπορεί να προκληθούν ατυχήματα.
- Μην χρησιμοποιείτε τα ηλεκτρικά εργαλεία σε περιβάλλον, στο οποίο μπορεί να προκληθεί έκρηξη, όπως παρουσία εύφλεκτων υγρών, αερίων ή σκόνης.**  
Τα ηλεκτρικά εργαλεία δημιουργούν σπινθήρες, οι οποίοι μπορεί να αναφλέξουν τη σκόνη ή τον καπνό.
- Κρατήστε τα παιδιά και τους παρευρισκόμενους μακριά όταν χρησιμοποιείτε ένα ηλεκτρικό εργαλείο.**  
Αν αποσπαστεί η προσοχή σας, υπάρχει κίνδυνος να χάσετε τον έλεγχο.

#### 2) Ηλεκτρική ασφάλεια

- Τα φως των ηλεκτρικών εργαλείων πρέπει να είναι κατάλληλα για τις πρίζες.**  
Μην τροποποιήσετε ποτέ το φως με οποιονδήποτε τρόπο.  
Μη χρησιμοποιείτε φως προσαρμογής με γειωμένα ηλεκτρικά εργαλεία.  
Τα μη τροποποιημένα φως και οι κατάλληλες πρίζες μειώνουν τον κίνδυνο ηλεκτροπληξίας.
- Αποφύγετε τη σωματική επαφή με γειωμένες επιφάνειες όπως σωλήνες, θερμάστρες, μαγειρικές συσκευές και ψυγεία.**  
Υπάρχει αυξημένος κίνδυνος ηλεκτροπληξίας όταν το σώμα σας είναι γειωμένο.
- Μην εκθέτετε τα ηλεκτρικά εργαλεία στη βροχή ή σε συνθήκες υγρασίας.**  
Το νερό που εισέρχεται σε ένα ηλεκτρικό εργαλείο αυξάνει τον κίνδυνο ηλεκτροπληξίας.
- Μην ασκείτε δύναμη στο καλώδιο. Μη χρησιμοποιείτε ποτέ το καλώδιο για να μεταφέρετε, να τραβήξετε ή να θάλετε από την πρίζα το ηλεκτρικό εργαλείο.**  
Κρατήστε το καλώδιο μακριά από θερμότητα, λάδι, κοφτερές γωνίες και κινούμενα μέρη.  
Τα κατεστραμμένα ή μπερδεμένα καλώδια αυξάνουν τον κίνδυνο ηλεκτροπληξίας.
- Όταν χρησιμοποιείτε το εργαλείο σε εξωτερικό χώρο, χρησιμοποιήστε καλώδιο προέκτασης που προορίζεται για χρήση σε εξωτερικό χώρο.**  
Η χρήση ενός καλώδιου κατάλληλου για εξωτερικό χώρο μειώνει τον κίνδυνο ηλεκτροπληξίας.
- Αν είναι αναποφύεκτη η λειτουργία ενός ηλεκτρικού εργαλείου σε χώρο με υγρασία, χρησιμοποιείτε διάταξη προστασίας ρεύματος διαρροής (RCD).**  
Η χρήση της RCD μειώνει τον κίνδυνο ηλεκτροπληξίας.

#### 3) Προσωπική ασφάλεια

- Να είστε σε ετοιμότητα, να βλέπετε αυτό που κάνετε και να χρησιμοποιείτε την κοινή λογική όταν χρησιμοποιείτε ένα ηλεκτρικό εργαλείο.**  
Μη χρησιμοποιείτε ηλεκτρικά εργαλεία όταν είστε κουρασμένοι ή υπό την επίδραση ναρκωτικών ουσιών, οινοπνεύματος ή φαρμάκων.  
Μια στιγμή απροσεξίας κατά τη χρήση ενός ηλεκτρικού εργαλείου μπορεί να προκαλέσει σοβαρό προσωπικό τραυματισμό.
  - Χρησιμοποιείτε προσωπικό προστατευτικό εξοπλισμό. Φοράτε πάντα προστασία για τα μάτια.**  
Ο προστατευτικός εξοπλισμός, όπως μάσκα για τη σκόνη, αντιολισθητικά παπούτσια, σκληρό καπέλο ή προστασία για τα αυτιά, που χρησιμοποιείται για ανάλογες συνθήκες μπορεί να μειώσει τους τραυματισμούς.
  - Προλαμβάνετε τυχόν ακούσια εκκίνηση. Βεβαιωθείτε ότι ο διακόπτης είναι σε θέση απενεργοποίησης πριν συνδέσετε τη συσκευή με πηγή ρεύματος και/ή τη θήκη της μπαταρίας, πριν σηκώσετε ή μεταφέρετε το εργαλείο.**  
Η μεταφορά ηλεκτρικού εργαλείου με τα δάχτυλά σας στο διακόπτη ή η ηλεκτροδότηση ηλεκτρικού εργαλείου με ενεργοποιημένο τον διακόπτη μπορεί να προκαλέσουν ατυχήματα.
  - Να αφαιρείτε τυχόν κλειδιά ρυθμιζόμενου ανοιγματος ή τα απλά κλειδιά πριν θέσετε σε λειτουργία το ηλεκτρικό εργαλείο.**  
Ένα απλό κλειδί ή ένα κλειδί ρυθμιζόμενου ανοιγματος που είναι προσαρτημένο σε περιστρεφόμενο εξάρτημα του ηλεκτρικού εργαλείου μπορεί να προκαλέσει προσωπικό τραυματισμό.
  - Μην τεντώνετε. Να διατηρείτε πάντοτε το κατάλληλο πάτημα και την ισορροπία σας.**  
Με αυτόν τον τρόπο μπορείτε να ελέγχετε καλύτερα το ηλεκτρικό εργαλείο σε μη αναμενόμενες καταστάσεις.
  - Να είστε ντυμένοι κατάλληλα. Μη φοράτε φαρδιά ρούχα ή κοσμήματα. Να κρατάτε τα μαλλιά σας, τα ρούχα σας και τα γάντια σας μακριά από κινούμενα μέρη.**  
Τα φαρδιά ρούχα, τα κοσμήματα και τα μακριά μαλλιά μπορεί να πιαστούν σε κινούμενα μέρη.
  - Αν παρέχονται εξαρτήματα για τη σύνδεση συσκευών εξαγωγής και συλλογής σκόνης, να βεβαιώνετε ότι είναι συνδεδεμένα και χρησιμοποιούνται με το σωστό τρόπο.**  
Η χρήση συλλεκτη σκόνης μειώνει τους κινδύνους που προέρχονται από τη σκόνη.
- #### 4) Χρήση και φροντίδα ηλεκτρικών εργαλείων
- Μην ασκείτε δύναμη στο ηλεκτρικό εργαλείο. Να χρησιμοποιείτε το ηλεκτρικό εργαλείο που είναι κατάλληλο για το είδος της εργασίας που εκτελείτε.**  
Το κατάλληλο ηλεκτρικό εργαλείο θα εκτελέσει την εργασία καλύτερα και με μεγαλύτερη ασφάλεια με τον τρόπο που σχεδιάστηκε.
  - Μη χρησιμοποιήσετε το ηλεκτρικό εργαλείο αν ο διακόπτης λειτουργίας δεν ανοίγει και δεν κλείνει.**  
Ένα ηλεκτρικό εργαλείο που δεν ελέγχεται από το διακόπτη λειτουργίας είναι επικίνδυνο και πρέπει να επισκευαστεί.
  - Αποσυνδέτε το βύσμα από την πηγή ισχύος και/ή τη θήκη μπαταρίας από το ηλεκτρικό εργαλείο πριν προβείτε σε ρυθμίσεις, αλλαγή εξαρτήματος ή αποθήκευση του ηλεκτρικού εργαλείου.**  
Αυτά τα προληπτικά μέτρα ασφαλείας μειώνουν τον κίνδυνο να ξεκινήσει το ηλεκτρικό εργαλείο κατά λάθος.

- d) Αποθηκεύετε τα εργαλεία που δεν χρησιμοποιείτε μακριά από παιδιά και μην αφήνετε τα άτομα που δεν είναι εξοικειωμένα με το ηλεκτρικό εργαλείο ή με αυτές τις οδηγίες να χρησιμοποιούν το ηλεκτρικό εργαλείο.  
Τα ηλεκτρικά εργαλεία είναι επικίνδυνα στα χέρια μη εκπαιδευμένων ατόμων.
- e) Συντηρείτε τα ηλεκτρικά εργαλεία. Να ελέγχετε την ευθυγράμμιση τους ή το μπλοκάρισμα των κινούμενων μερών, τη θραύση των εξαρτημάτων και οποιαδήποτε άλλη κατάσταση που ενδέχεται να επηρεάσει τη λειτουργία του ηλεκτρικού εργαλείου. Σε περίπτωση θλάξης, το ηλεκτρικό εργαλείο πρέπει να επισκευαστεί πριν χρησιμοποιηθεί.  
Πολλά ατυχήματα προκαλούνται από ηλεκτρικά εργαλεία που δεν έχουν συντηρηθεί σωστά.
- f) Διατηρείτε τα εργαλεία κοπής κοφτερά και καθαρά. Τα κατάλληλα συντηρημένα εργαλεία κοπής με κοφτερές γωνίες μπλοκάρουν πιο δύσκολα και ελέγχονται πιο εύκολα.
- g) Χρησιμοποιείτε το ηλεκτρικό εργαλείο, τα εξαρτήματα και τα μέρη κ.τ.λ. σύμφωνα με τις παρούσες οδηγίες, λαμβάνοντας υπόψη τις συνθήκες εργασίας και την εργασία που θα εκτελέσετε.  
Η χρήση του ηλεκτρικού εργαλείου για εργασίες πέρα από εκείνες για τις οποίες προορίζεται, ενδέχεται να δημιουργήσει κινδύνους.
- 5) Σέρβις  
a) Να δίνετε το ηλεκτρικό εργαλείο για σέρβις σε κατάλληλα εκπαιδευμένα άτομα και να χρησιμοποιείτε μόνο γνήσια ανταλλακτικά.  
Με αυτόν τον τρόπο είστε σίγουροι για την ασφάλεια του ηλεκτρικού εργαλείου.

**ΠΡΟΦΥΛΑΞΗ**

Μακριά από τα παιδιά και τους αναπήρους.  
Όταν δεν χρησιμοποιούνται, τα εργαλεία πρέπει να φυλάσσονται μακριά από τα παιδιά και τους αναπήρους.

**ΠΡΟΦΥΛΑΚΤΙΚΑ ΜΕΤΡΑ ΓΙΑ ΤΗΝ ΧΡΗΣΗ ΤΟΥ ΚΡΟΥΣΤΙΚΟΥ ΔΡΑΠΑΝΟΥ**

- Φοράτε πάντα ωτοασπίδες κατά τη χρήση του δραπάνου.  
Έκθεση στον θόρυβο μπορεί να καλέσει απώλεια ακοής.
- Χρησιμοποιείτε τις βοηθητικές λαβές που επισυνάπτονται με τον εργαλείο.  
Απώλεια ελέγχου μπορεί να καλέσει τραυματισμό.
- Πριν το άνοιγμα τρύπας πάνω σε τοίχους, οροφές ή δάπεδα, βεβαιωθείτε ότι δεν υπάρχουν κρυμμένα μέσα ηλεκτρικά καλώδια.
- Όταν τρυπάτε τσιμέντο ή παρόμοια σκληρά υλικά με τον τρόπο λειτουργίας ΚΡΟΥΣΗ, γυρίστε τον περιστροφικό μοχλό αλλαγής στο σημάδι R. (Εικ. 9)

**ΤΕΧΝΙΚΑ ΧΑΡΑΚΤΗΡΙΣΤΙΚΑ**

Μοντέλο	DV13SS	DV13VSS	DV16SS	DV16VSS
Τάση (ανά περιοχή)*	(110V, 220V, 230V, 240V) ~			
Ισχύς εισόδου*	550 W		600 W	
Αναστρέψιμο	Όχι	Ναι	Όχι	Ναι
Ταχύτητα χωρίς φορτίο	2900 min <sup>-1</sup>	0–2900 min <sup>-1</sup>	2900 min <sup>-1</sup>	0–2900 min <sup>-1</sup>
Ικανότητα σφικτήρα δραπάνου	13 mm			
Ικανότητα	Ατσάλι	13 mm		
	Τσιμέντο	13 mm	16 mm	
	Ξύλο	20 mm	25 mm	
Ταχύτητα κρούσης πλήρους φορτίου	29000 min <sup>-1</sup>			
Βάρος (χωρίς καλώδιο)	1,4 kg		1,5 kg	

\*Βεβαιωθείτε να ελέγξετε την πινακίδα στο προϊόν επειδή υπόκεινται σε αλλαγή σε εξάρτηση από την περιοχή.

**ΚΑΝΟΝΙΚΑ ΕΞΑΡΤΗΜΑΤΑ**

Μοντέλο	Προδ. σφικτήρα δραπάνου	Κανονικά εξαρτήματα
DV13SS	Με κλειδί	Κλειδί σφικτήρα ..... 1
DV13VSS	Με κλειδί	Κλειδί σφικτήρα ..... 1
	Χωρίς κλειδί	Θήκη ..... 1 Μετρητής βάθους ..... 1 Πλευρική λαβή ..... 1
DV16SS	Με κλειδί	Κλειδί σφικτήρα ..... 1 Μετρητής βάθους ..... 1 Πλευρική λαβή ..... 1

DV16VSS	Με κλειδί	Κλειδί σφικτήρα ..... 1 Μετρητής βάθους ..... 1 Πλευρική λαβή ..... 1
	Χωρίς κλειδί	Θήκη ..... 1 Μετρητής βάθους ..... 1 Πλευρική λαβή ..... 1

Τα κανονικά εξαρτήματα μπορούν να αλλάξουν χωρίς προειδοποίηση.

**ΠΡΟΑΙΡΕΤΙΚΑ ΕΞΑΡΤΗΜΑΤΑ (πωλούνται ξεχωριστά)**

- Λεπίδα Κρουστικού Δραπάνου (για τσιμέντο)  
3,2 mm - 20 mm διαμ.

Τα προαιρετικά εξαρτήματα υπόκεινται σε αλλαγή χωρίς προειδοποίηση.

## ΕΦΑΡΜΟΓΕΣ

- Με τον συνδυασμό των δράσεων ΠΕΡΙΣΤΡΟΦΗ και ΚΡΟΥΣΗ:  
Ανοιγμα τρύπας σε σκληρά υλικά (τσιμέντο, μάρμαρο, γρανίτη, πλακάκια, κλπ.)
- Με ΠΕΡΙΣΤΡΟΦΙΚΗ δράση:  
Ανοιγμα τρυπών σε μέταλλο, ξύλο και πλαστικό.

## ΠΡΙΝ ΤΗ ΛΕΙΤΟΥΡΓΙΑ

### 1. Πηγή ρεύματος

Βεβαιωθείτε ότι η πηγή ρεύματος που πρόκειται να χρησιμοποιηθεί είναι εναρμονισμένη με τις απαιτήσεις σε ρεύμα που αναφέρεται στην πινακίδα του εργαλείου.

### 2. Διακόπτης ρεύματος

Βεβαιωθείτε ότι ο διακόπτης ρεύματος βρίσκεται στη θέση OFF. Αν το βίσμα είναι στη μπρίζα καθώς ο διακόπτης ρεύματος βρίσκεται στο ON, το εργαλείο θα αρχίσει να λειτουργεί αμέσως, με πιθανότητα πρόκλησης σοβαρού ατυχήματος.

### 3. Καλώδιο προέκτασης

Όταν ο χώρος εργασίας βρίσκεται μακριά από την παροχή ρεύματος, χρησιμοποιήστε ένα καλώδιο προέκτασης με κατάλληλο πάχος και ικανότητα μεταφοράς ρεύματος. Το καλώδιο προέκτασης πρέπει να είναι τόσο κοντό όσο είναι πρακτικά δυνατό.

### 4. Επιλογή της κατάλληλης λεπίδας τρυπανιού

- Όταν τρυπάτε τσιμέντο ή πέτρα  
Χρησιμοποιήστε τις λεπίδες που περιγράφονται στα Προαιρετικά Εξαρτήματα.
- Όταν τρυπάτε ξύλο  
Χρησιμοποιήστε μια λεπίδα τρυπανιού κατάλληλη για ξύλο.
- Όμως, όταν ανοίγετε τρύπες 6,5 mm ή μικρότερες τρύπες, χρησιμοποιήστε μια λεπίδα τρυπανιού που είναι κατάλληλη για μέταλλο.

### 5. Σύνδεση και αποσύνδεση της λεπίδας

#### Για τον σφικτήρα Τρυπανιού με κλειδί σφικτήρα (Εικ. 1)

- (1) Ανοίξτε τις αρπάγες του σφικτήρα, και βάλτε μέσα τη λεπίδα στο σφικτήρα.
- (2) Τοποθετήστε το κλειδί του σφικτήρα μέσα σε κάθε μια από τις τρεις τρύπες του σφικτήρα και περιστρέψτε το προς τα δεξιά (όψη από την μπροστινή πλευρά). Σφίξτε με ασφάλεια.
- (3) Για να αφαιρέσετε τη λεπίδα, τοποθετήστε το κλειδί του σφικτήρα μέσα σε μια από τις τρύπες του σφικτήρα και περιστρέψτε το προς τα αριστερά.

#### Για σφικτήρες χωρίς κλειδί (Εικ. 2)

- (1) Ανοίξτε τις αρπάγες του σφικτήρα, και βάλτε μέσα τη λεπίδα στο σφικτήρα.  
Για να ανοίξετε τις αρπάγες του σφικτήρα, κρατήστε το δακτύλιο ενώ περιστρέφεται το συνδετικό δακτύλιο προς τα αριστερά (όψη από την μπροστινή πλευρά).
- (2) Πιάστε δυνατά το δακτύλιο και περιστρέψτε το συνδετικό δακτύλιο προς τα δεξιά. Σφίξτε με ασφάλεια.
- (3) Για να αφαιρέσετε την λεπίδα, πιάστε δυνατά το δακτύλιο και περιστρέψτε το συνδετικό δακτύλιο προς τα αριστερά.

- (4) Όταν ο βραχίονας δεν ξεσφίγγει περισσότερο, στερεώστε τη πλευρική λαβή στο δακτύλιο συγκράτησης, κρατήστε την πλευρική λαβή γερά, μετά στρέψτε το βραχίονα για να τον χαλαρώσετε με το χέρι (Εικ. 3).

### 6. Ελέγξτε την περιστροφική διεύθυνση (Εικ. 4) (DV13VSS, DV16VSS μόνο)

Η λεπίδα περιστρέφεται προς τα δεξιά (όψη από την πίσω πλευρά) περιστρέφοντας τον περιστροφικό μοχλό αλλαγής στην σημάδι R.

Ο περιστροφικός μοχλός αλλαγής επαναφέρεται στο σημάδι L ώστε να περιστραφεί η λεπίδα προς τα αριστερά.

(Τα σημάδια (L) και (R) παρέχονται πάνω στο σώμα.)

#### ΠΡΟΣΟΧΗ

Πάντοτε να χρησιμοποιείτε το κρουστικό δράπανο με περιστροφή προς τα δεξιά, όταν το χρησιμοποιείτε как κρουστικό δράπανο.

### 7. Στερέωση της πλευρικής λαβής (Εικ. 5)

Συνδέστε την πλευρική λαβή στο τμήμα στερέωσης. Περιστρέψτε το χερούλι της πλευρικής λαβής προς τα δεξιά για να το ασφαλίσετε.

Τοποθετήστε την πλευρική λαβή σε τέτοια θέση έτσι ώστε να είναι κατάλληλη για λειτουργία και μετά σφίξτε γερά το χερούλι της πλευρικής λαβής. Για συνδέσετε το μετρητή βάθους στην πλευρική λαβή, βάλτε τον μετρητή μέσα στην αυλάκωση της πλευρικής λαβής που έχει σχήμα U, ρυθμίστε την θέση του μετρητή βάθους σύμφωνα με το επιθυμητό βάθος της τρύπας, και γερά σφίξτε το χερούλι της πλευρικής λαβής (Εικ. 6).

### 8. Αλλαγή από την ΚΡΟΥΣΗ στη ΠΕΡΙΣΤΡΟΦΗ (Εικ. 7)

Μετακινήστε το μοχλό αλλαγής μεταξύ των αριστερών και δεξιών θέσεων για την εύκολη αλλαγή μεταξύ IMPACT (περιστροφή και κρούση) και ROTATION (περιστροφή μόνο), αντίστοιχα.

Για την διάνοιξη τρυπών σε σκληρά υλικά όπως τσιμέντο, πέτρα και πλακάκια, μετακινήστε τον μοχλό αλλαγής στην δεξιά θέση (όπως υποδεικνύεται με το **T** σημάδι). Η λεπίδα τρυπανιού λειτουργεί με το συνδυασμό των δράσεων της κρούσης και της περιστροφής.

Για την διάνοιξη τρυπών σε μέταλλο, ξύλο και πλαστικό, μετακινήστε τον μοχλό στην αριστερή θέση (όπως υποδεικνύεται με το **2** σημάδι). Η λεπίδα τρυπανιού λειτουργεί με την περιστροφική δράση μόνο, όπως στην περίπτωση του συμβατικού ηλεκτρικού τρυπανιού.

#### ΠΡΟΣΟΧΗ

○ Μην χρησιμοποιήσετε το Κρουστικό Δράπανο στη λειτουργία ΚΡΟΥΣΗ αν το υλικό μπορεί να τρυπηθεί μόνο με την περιστροφή. Τέτοια ενέργεια όχι μόνο θα ελαττώσει την αποδοτικότητα του τρυπανιού, αλλά επίσης θα προκαλέσει ζημιά στην άκρη της λεπίδας.

○ Η χρήση του Κρουστικού Δραπάνου με τον μοχλό αλλαγής στην ενδιάμεση θέση μπορεί να προκαλέσει ζημιά. Κατά την αλλαγή, σιγουρευτείτε ότι μετακινείτε τον μοχλό αλλαγής στην σωστή θέση.



## ΠΩΣ ΝΑ ΤΟ ΧΡΗΣΙΜΟΠΟΙΗΣΕΤΕ

### 1. Λειτουργία διακόπτη (Εικ. 8)

- Όταν η σκανδάλη είναι χαμηλωμένη, το εργαλείο περιστρέφεται.

Όταν η σκανδάλη ελευθερωθεί το εργαλείο σταματά.

- Το τράβηγμα της σκανδάλης και το σπρώξιμο του στόπερ, διατηρεί την κατάσταση λειτουργίας, η οποία είναι βολική για συνεχής λειτουργία. Κατά το σβήσιμο, το στόπερ μπορεί να αποσυνδεθεί τραβώντας τη σκανδάλη ξανά.

< DV13VSS, DV16VSS μόνο >

- Η ταχύτητα περιστροφής του δραπάνου μπορεί να ελεγχθεί από το κατά πόσο τραβιέται η σκανδάλη διακόπτης. Η ταχύτητα είναι χαμηλή όταν η σκανδάλη διακόπτης τραβηχθεί ελαφρά και αυξάνει καθώς η σκανδάλη διακόπτης τραβιέται περισσότερο.

### 2. Όταν χρησιμοποιείτε ως Τρυπάνι ή ως Κρουστικό Δράπανο

- (1) Δύναμη πίεσης στο τρυπάνι

Δεν μπορείτε να ανοίξετε τρύπες πιο γρήγορα ακόμα και αν πιέσετε το τρυπάνι με περισσότερη δύναμη από αυτή που είναι απαραίτητη. Αυτό όχι μόνο προκαλεί την ζημιά στην άκρη της λεπίδας του τρυπανιού και ελαττώνει την αποδοτικότητα της λειτουργίας, αλλά επίσης μικραίνει την διάρκεια ζωής της κορυφής του τρυπανιού.

- (2) Στην περίπτωση των διαμερών τρυπάνι

Η λεπίδες του τρυπανιού μπορεί να σπάσουν όταν το υλικό το οποίο τρυπιέται διαπεραστεί εντελώς. Είναι σημαντικό να ελαττώσετε την δύναμη πίεσης λίγο πριν την πλήρη διαπέραση.

#### ΠΡΟΣΟΧΗ

Στην συνεχή χρήση, πραγματοποιήστε τη λειτουργία χωρίς φορτίο για πέντε δευτερόλεπτα μετά την ολοκλήρωση της εργασίας τρυπανίσματος.

- (3) Όταν μια παχιά λεπίδα τρυπανιού χρησιμοποιηθεί Το μάτσο σας υπόκεινται σε μεγαλύτερη δύναμη αντίδρασης όταν χρησιμοποιείτε μια πιο παχιά λεπίδα τρυπανιού. Δώστε προσοχή ώστε να μην μετακινείτε εξαιτίας της δύναμης αντίδρασης. Για αυτό το λόγο, διατηρήστε το πάτημά σας, κρατήστε την συσκευή γερά με τα δυο χέρια κατακόρυφα προς το υλικό το οποίο τρυπιέται.

## ΣΥΝΤΗΡΗΣΗ ΚΑΙ ΕΛΕΓΧΟΣ

### 1. Έλεγχος των λεπίδων του δραπάνου

Επειδή η χρήση των φαρμένων λεπίδων θα προκαλέσει την δυσλειτουργία του μοτέρ και την μειωμένη αποδοτικότητα, αντικαταστήστε τις λεπίδες του δραπάνου με καινούργιες ή ακονίστε τις χωρίς καθυστέρηση όταν παρατηρηθεί η φθορά.

### 2. Έλεγχος των θιδών στερέωσης

Ελέγχετε περιοδικά όλες τις βίδες στερέωσης και βεβαιωθείτε ότι είναι κατάλληλα σφιγμένες. Στην περίπτωση που χαλαρώσει οποιαδήποτε βίδα σφίξτε την ξανά αμέσως. Αν δεν το κάνετε αυτό μπορεί να έχει ως αποτέλεσμα το σοβαρό τραυματισμό.

### 3. Συντήρηση του μοτέρ

Η περιέλιξη της μονάδα του μοτέρ είναι η καρδιά του ηλεκτρικού εργαλείου. Δώστε μεγάλη προσοχή για να σιγουρευτείτε ότι η περιέλιξη δεν θα πάθει ζημιά και / ή θα βρεχθεί με λάδι ή νερό.

### 4. Έλεγχος στα καρβουνάκια

Για την συνεχιζόμενη ασφάλεια σας και την προστασία σας από την ηλεκτροπληξία, ο έλεγχος στα καρβουνάκια και η αντικατάσταση αυτού του εργαλείου πρέπει ΜΟΝΟ να γίνεται από ένα ΕΞΟΥΣΙΟΔΟΤΗΜΕΝΟ ΚΕΝΤΡΟ ΣΕΡΒΙΣ ΤΗΣ HITACHI.

### 5. Λίστα συντήρησης εξαρτημάτων

A: Αρ. Εξαρτήματος

B: Αρ. Κωδικού

C: Αρ. Χρήσης

D: Παρατηρήσεις

#### ΠΡΟΣΟΧΗ

Η Επισκευή, τροποποίηση και ο έλεγχος των Ηλεκτρικών Εργαλείων της Hitachi πρέπει να γίνεται από ένα Εξουσιοδοτημένο Κέντρο Σέρβις της Hitachi. Ειδικά για τη συσκευή λέιζερ, το σέρβις της πρέπει να γίνεται από ένα εξουσιοδοτημένο αντιπρόσωπο του κατασκευαστή του λέιζερ.

Πάντοτε να αναθέτετε την επισκευή της συσκευής λέιζερ στο Εξουσιοδοτημένο Κέντρο Σέρβις της Hitachi. Αυτή η Λίστα των Εξαρτημάτων θα είναι χρήσιμη αν δοθεί με το εργαλείο Hitachi στο Εξουσιοδοτημένο Κέντρο Σέρβις της Hitachi κατά την επισκευή ή την συντήρηση.

Κατά την χρήση και την συντήρηση των ηλεκτρικών εργαλείων, οι κανονισμοί ασφαλείας και οι κανόνες που υπάρχουν σε κάθε χώρα πρέπει να τηρούνται.

#### ΤΡΟΠΟΠΟΙΗΣΕΙΣ

Τα Ηλεκτρικά Εργαλεία της Hitachi βελτιώνονται συνεχώς και τροποποιούνται για να ενσωματώσουν τα τελευταία τεχνολογικά επιτεύγματα.

Ανάλογα, κάποια σημεία (πχ κωδικοί αριθμοί, και/ή σχεδιασμός) μπορούν να αλλάξουν χωρίς προειδοποίηση.

## ΕΓΓΥΗΣΗ

Εγγυώμαστε τα εργαλεία Hitachi Power Tools σύμφωνα με τη νομοθεσία και τους κανονισμούς ανά χώρα. Η παρούσα εγγύηση δεν καλύπτει ελαττώματα ή ζημιές λόγω κακής χρήσης, κακοποίησης ή φυσιολογικής φθοράς. Σε περίπτωση παραπόνων παρακαλούμε αποστείλετε το Power Tool χωρίς να το απουναρμολογήσετε μαζί με το ΠΙΣΤΟΠΟΙΗΤΙΚΟ ΕΓΓΥΗΣΗΣ το οποίο βρίσκεται στο τέλος των οδηγιών αυτών, σε Εξουσιοδοτημένο Κέντρο Επισκευής της Hitachi.

#### ΣΗΜΕΙΩΣΗ

Εξαιτίας του συνεχιζόμενου προγράμματος έρευνας και ανάπτυξης της Hitachi τα τεχνικά χαρακτηριστικά που εδώ αναφέρονται μπορούν να αλλάξουν χωρίς προηγούμενη ειδοποίηση.

#### Πληροφορίες που αφορούν τον εκπεμπόμενο θόρυβο και τη δόνηση

Οι τιμές μετρήθηκαν σύμφωνα με το EN50144.

Ένα τυπικό επίπεδο πίεσης ήχου A : 99 dB (A).

Ένα τυπικό επίπεδο Α ηχητικής ισχύος είναι: 112 dB (A).

Αβεβαιότητα ΚρΑ: 3 dB (A).

Φοράτε προστατευτικά αυτιών.

Μια τυπική τιμή ρίζας μέσης τετραγωνικής επιτάχυνσης: 10,5 m/s<sup>2</sup>

## OGÓLNE WSKAZÓWKI BEZPIECZEŃSTWA DOTYCZĄCE URZĄDZEŃ ELEKTRYCZNYCH

### ⚠ OSTRZEŻENIE

Należy dokładnie zapoznać się ze wszystkimi ostrzeżeniami i wskazówkami bezpieczeństwa.

Nieprzestrzeżenie ostrzeżeń oraz wskazówek bezpieczeństwa może spowodować porażenie prądem elektrycznym, pożar i/lub odniesienie poważnych obrażeń.

Ostrzeżenia i wskazówki bezpieczeństwa powinny być przechowywane do użycia w przyszłości.

Wykorzystywane w treści wskazówek wyrażenie "narzędzie elektryczne" dotyczy narzędzi zasilanych z sieci (przewodowych) lub z baterii (beprzewodowych).

#### 1) Bezpieczeństwo stanowiska pracy

##### a) Miejsce pracy powinno być czyste i dobrze oświetlone.

Brak porządku lub nieodpowiednie oświetlenie miejsca pracy może być przyczyną wypadku.

##### b) Nie należy używać narzędzi elektrycznych w miejscach zagrożonych wybuchem, na przykład w pobliżu łatwopalnych cieczy, gazów lub pyłów. Pracujące narzędzie elektryczne wytwarza iskry grożące wybuchem.

##### c) Dzieci oraz osoby postronne powinny pozostawać w bezpiecznej odległości od pracującego urządzenia.

Dekonzentracja może spowodować utratę kontroli nad urządzeniem.

#### 2) Bezpieczeństwo elektryczne

##### a) Wtyczka narzędzia musi pasować do gniazda zasilania.

Nie wolno przerabiać wtyczki.

Narzędzia posiadające uzziemienie nie powinny być używane z wtyczkami przejściowymi.

Przestrzeżenie powyższych zaleceń dotyczących wtyczek i gniazdek pozwoli zmniejszyć ryzyko porażenia prądem elektrycznym.

##### b) Należy unikać dotykania jakichkolwiek powierzchni i elementów uzziemionych, takich jak rury, grzejniki, kuchenki lub urządzenia chłodnicze.

Ryzyko porażenia prądem elektrycznym jest wyższe, gdy ciało jest uziemione.

##### c) Nie należy narażać narzędzi elektrycznych na działanie deszczu lub wilgoci.

Obecność wody zwiększa niebezpieczeństwo porażenia prądem elektrycznym.

##### d) Nie należy używać przewodu zasilającego w sposób niezgodny z przeznaczeniem. Nie wolno używać przewodu do przenoszenia lub ciągnięcia urządzenia bądź wyłączania go z prądu. Przewód powinien znajdować się w bezpiecznej odległości od źródeł ciepła, oleju, ostrych krawędzi lub poruszających się części.

Uszkodzenie lub zapętlenie przewodu zwiększa ryzyko porażenia prądem elektrycznym.

##### e) W przypadku używania narzędzia elektrycznego na wolnym powietrzu należy korzystać z przedłużaczy przeznaczonych do takiego zastosowania.

Używanie odpowiednich przedłużaczy zmniejsza ryzyko porażenia prądem elektrycznym.

##### f) W przypadku korzystania z narzędzia w miejscu o dużej wilgotności należy zawsze używać wyłącznika różnicowoprądowego.

Korzystanie z takiego wyłącznika zmniejsza ryzyko porażenia prądem elektrycznym.

#### 3) Bezpieczeństwo osobiste

##### a) Podczas korzystania z narzędzia elektrycznego należy zawsze koncentrować się na wykonywanej pracy i postępować zgodnie z zasadami zdrowego rozsądku.

Narzędzia elektryczne nie powinny być obsługiwane przez osoby zmęczone lub znajdujące się pod wpływem substancji odurzających, alkoholu bądź leków.

Chwila nieuwagi podczas obsługi narzędzia elektrycznego może spowodować odniesienie poważnych obrażeń.

##### b) Zawsze używać odpowiedniego osobistego wyposażenia ochronnego. Zawsze nosić odpowiednie okulary ochronne.

Stosowane w odpowiednich warunkach wyposażenie zabezpieczające, takie jak maska przeciwpyłowa, obuwie antypoślizgowe, kask lub nauszniki zmniejsza ryzyko odniesienia obrażeń ciała.

##### c) Uniemożliwić nieoczekiwane uruchomienie narzędzia. Przed podłączeniem narzędzia do gniazda zasilania i/lub zestawu baterii, a także przed podniesieniem lub przeniesieniem go, należy upewnić się, że wyłącznik znajduje się w położeniu wyłączenia.

Ze względów bezpieczeństwa nie należy przenosić narzędzi elektrycznych, trzymając palec na wyłączniku, ani podłączać do zasilania urządzeń, których wyłącznik znajduje się w położeniu włączenia.

##### d) Przed wyłączeniem usunąć wszystkie klucze regulacyjne.

Pozostawienie klucza regulacyjnego połączanego z częścią obrotową narzędzia może spowodować odniesienie obrażeń.

##### e) Nie sięgać zbyt daleko. Należy zawsze stać stabilnie, zachowując równowagę.

Zapewnia to lepsze panowanie nad narzędziem w nieoczekiwanych sytuacjach.

##### f) Należy nosić odpowiednią odzież roboczą. Nie nosić luźnych ubrań lub biżuterii. Trzymać włosy, odzież i rękawice w bezpiecznej odległości od ruchomych części urządzenia.

Luźne ubrania, biżuteria lub długie włosy mogą zostać wciągnięte przez ruchome części narzędzia.

##### g) Jeżeli wraz z narzędziem dostarczone zostało wyposażenie służące do odprowadzania pyłów, należy pamiętać o jego właściwym podłączeniu i używaniu.

Właściwe zbieranie i odprowadzanie pyłu zmniejsza zagrożenia związane z jego obecnością.

#### 4) Obsługa i konserwacja narzędzi elektrycznych

##### a) Nie używać narzędzia elektrycznego ze zbyt dużą siłą. Należy stosować narzędzie odpowiednie dla wykonywanej pracy.

Narzędzie przeznaczone do określonej pracy wykona ją lepiej i w sposób bardziej bezpieczny, pracując z zalecaną prędkością.

##### b) Nie należy używać narzędzia, którego wyłącznik jest uszkodzony.

Każde urządzenie, które nie może być właściwie włączane i wyłączane, stanowi zagrożenie i musi zostać naprawione.

- c) **Należy zawsze odłączać urządzenie z sieci zasilania i/lub baterii przed przystąpieniem do jakichkolwiek modyfikacji, wymiany akcesoriów itp. oraz kiedy urządzenie nie będzie używane przez dłuższy czas.**

Powyższe środki mają na celu wyeliminowanie ryzyka nieoczekiwanego uruchomienia urządzenia.

- d) **Nie używane narzędzia elektryczne powinny być przechowywane w miejscu niedostępnym dla dzieci oraz osób, które nie znają zasad ich obsługi lub niniejszych zaleceń.**

Korzystanie z narzędzi elektrycznych przez osoby, które nie zostały przeszkolone, może stanowić zagrożenie.

- e) **Należy dbać o odpowiednią konserwację narzędzi elektrycznych. Przed rozpoczęciem pracy należy sprawdzić, czy ruchome części urządzenia nie są wygięte, uszkodzone lub pęknięte i czy nie występują jakiegokolwiek inne okoliczności, które mogłyby uniemożliwić bezpieczną pracę urządzenia.**

**W razie uszkodzenia przed kolejnym użyciem narzędzie musi zostać naprawione.**

Wiele wypadków następuje z powodu nieprawidłowej konserwacji narzędzi elektrycznych.

- f) **Narzędzia tnące powinny być zawsze ostre i czyste.**

Narzędzia tnące powinny być utrzymywane w odpowiednim stanie, a ich krawędzie muszą być odpowiednio ostre - zmniejsza to ryzyko wygięcia i ułatwia obsługę narzędzia.

- g) **Należy zawsze obsługiwać narzędzie, jego akcesoria takie jak wiertła itp. w sposób zgodny z zaleceniami niniejszej instrukcji, biorąc pod uwagę warunki robocze oraz rodzaj wykonywanej pracy.**

Używanie narzędzia do celów niezgodnych z jego przeznaczeniem może spowodować niebezpieczeństwo.

## 5) Serwis

- a) **Narzędzia elektryczne mogą być naprawiane wyłącznie przez uprawnionych techników serwisowych, przy zastosowaniu oryginalnych części zamiennych.**

Zapewnia to utrzymanie bezpieczeństwa obsługi urządzenia.

## UWAGA

**Dzieci i osoby niepełnosprawne muszą pozostawać w bezpiecznej odległości od narzędzia.**

**Nie używane narzędzia elektryczne powinny być przechowywane w miejscu niedostępnym dla dzieci i osób niepełnosprawnych.**

## ŚRODKI OSTROŻNOŚCI STOSOWANE PRZY UŻYCIU MŁOTOWIERTARKI

- Podczas pracy z wiertarką udarową należy nosić słuchawki ochronne.**  
Wysoki poziom hałasu może powodować utratę słuchu.
- Korzystać z uchwytów pomocniczych dostarczanych wraz z urządzeniem.**  
Utrata kontroli nad urządzeniem może spowodować obrażenia ciała.
- Przed wierceniem w ścianach, sufitach czy podłogach upewnij się, że nie ma w nich żadnych kabli elektrycznych.
- Używając trybu UDARU do wiercenia w betonie lub materiale o podobnej twardości, dźwignię zmiany kierunku obrotów należy przestawić w stronę oznaczoną literą R. (Rys. 9)

## DANE TECHNICZNE

Model	DV13SS	DV13VSS	DV16SS	DV16VSS
Napięcie (w zależności od miejsca)*	(110V, 220V, 230V, 240V) ~			
Moc pobierana*	550 W		600 W	
Dwukierunkowa	Brak	Tak	Brak	Tak
Prędkość bez obciążenia	2900 min <sup>-1</sup>	0–2900 min <sup>-1</sup>	2900 min <sup>-1</sup>	0–2900 min <sup>-1</sup>
Wydajność uchwytu wiertarskiego	13 mm			
Wydajność	Stal	13 mm		
	Beton	13 mm	16 mm	
	Drewno	20 mm	25 mm	
Częstotliwość uderzeń przy pełnym obciążeniu	29000 min <sup>-1</sup>			
Waga (bez kabla)	1,4 kg		1,5 kg	

\*Sprawdź nazwę produktu, jako że ulega ona zmianie w zależności od miejsca zakupu.

## WYPOSAŻENIE STANDARDOWE

Model	Dane uchwyty wiertarskiego	Wyposażenie standardowe
DV13SS	Z kluczem	Klucz do uchwyty wiertarskiego .. 1
DV13VSS	Z kluczem	Klucz do uchwyty wiertarskiego .. 1
	Bez klucza	Pudełko ..... 1 Ogranicznik głębokości ... 1 Uchwyt boczny ..... 1
DV16SS	Z kluczem	Klucz do uchwyty wiertarskiego .. 1 Ogranicznik głębokości ... 1 Uchwyt boczny ..... 1
DV16VSS	Z kluczem	Klucz do uchwyty wiertarskiego .. 1 Ogranicznik głębokości ... 1 Uchwyt boczny ..... 1
	Bez klucza	Pudełko ..... 1 Ogranicznik głębokości ... 1 Uchwyt boczny ..... 1

Wyposażenie standardowe może ulec zmianie bez uprzedzenia.

## WYPOSAŻENIE DODATKOWE (sprzedawane oddzielnie)

- Wiertło udarowe (do betonu)  
średn. 3,2 mm – 20 mm

Wyposażenie dodatkowe może ulec zmianie bez uprzedzenia.

## ZASTOSOWANIE

- Jednoczesne używanie funkcji OBROTY i UDERZENIA: Wiercenie otworów w twardych materiałach (beton, marmur, granit, płytki, itp.)
- Funkcja OBROTY: Wiercenie otworów w metalu, drewnie, tworzywach sztucznych.

## PRZED UŻYCIEM

### 1. Źródło mocy

Upewnij się, że źródło mocy jest zgodne z wymogami mocy zaznaczonymi przy nazwie produktu.

### 2. Przełącznik

Upewnij się, że przełącznik jest wyłączony (pozycja OFF). Jeśli wtyczka jest włączona do prądu gdy przełącznik jest włączony (pozycja ON), narzędzie zacznie działać natychmiast, co może spowodować poważny wypadek.

### 3. Przedłużacz

Kiedy miejsce pracy znajduje się daleko od źródła prądu, użyj przedłużacza o wystarczającym przekroju. Przedłużacz powinien być tak krótki, jak tylko jest to możliwe i wartości znamionowej.

### 4. Wybór odpowiedniego wiertła

- Do wiercenia w betonie lub kamieniu  
Używaj wiertel wymienionych w Wyposażeniu dodatkowym.
- Do wiercenia w metalu lub plastiku  
Używaj normalnych wiertel do metalu.
- Do wiercenia w drewnie  
Używaj normalnych wiertel do drewna.

Przy wierceniu otworów mniejszych, niż 6,5 mm, używaj jednak wiertel do metalu.

## 5. Mocowanie i wyjmowanie wiertła

### Do uchwytów wiertarskich z kluczem (Rys. 1)

- (1) Otwórz szczęki uchwyty i włóż wiertło do uchwyty.
- (2) Włóż klucz uchwyty do każdego z trzech otworów uchwyty i obracając kluczem zgodnie z ruchem wskazówek zegara (patrząc od przodu) zamocuj wiertło.
- (3) By wyjąć wiertło, włóż klucz do jednego z otworów w uchwycie i obróć klucz w kierunku przeciwnym do ruchu wskazówek zegara.

### Uchwyt bez klucza (Rys. 2)

- (1) Otwórz szczęki uchwyty i włóż wiertło do uchwyty. Aby otworzyć szczęki uchwyty, schwyć pierścieni i obracaj tuleję w kierunku przeciwnym do ruchu wskazówek zegara (patrząc z przodu).
- (2) Mocno schwyć pierścieni i obracaj tuleję w kierunku zgodnym z ruchem wskazówek zegara. Zaciśnij uchwyt.
- (3) Aby wyjąć wiertło, mocno schwyć pierścieni i obróć tuleję w kierunku przeciwnym do ruchu wskazówek zegara.
- (4) Kiedy tuleja nie może już być bardziej poluzowana, przymocuj uchwyt boczny do pierścienia ustalającego, przytrzymaj mocno uchwyt boczny, a następnie obróć tuleję, luzując ją ręcznie. (Rys. 3)

### 6. Sprawdzanie kierunku obrotów (Rys. 4) (Tylko dla modeli DV13VSS i DV16VSS)

Wiertło obraca się w kierunku zgodnym z ruchem wskazówek zegara (patrząc od tyłu) po obróceniu dźwigni zmiany kierunku obrotów w stronę oznaczoną literą R.

Obrócenie dźwigni zmiany kierunku obrotów w stronę oznaczoną literą L służy do włączania obrotów w kierunku przeciwnym do ruchu wskazówek zegara. (Litera (L) i (R) są umieszczone na obudowie narzędzia.)

#### UWAGA

Przy pracy z włączoną funkcją obracania i udaru należy używać tylko kierunku zgodnego z ruchem wskazówek zegara.

### 7. Mocowanie uchwyty boczny (Rys. 5)

Założ uchwyt boczny na część montażową. Obróć rączkę uchwyty boczny w kierunku zgodnym z ruchem wskazówek zegara zaciskając uchwyt. Najpierw wybierz takie ustawienie uchwyty boczny, by móc wygodnie używać młotowiertarki, dopiero wtedy zaciśnij uchwyt.

By założyć ogranicznik głębokości na uchwycie boczny włóż ogranicznik w rowek w kształcie litery U na uchwycie boczny, wybierz położenie ogranicznika odpowiadające pożądanej głębokości otworu i dokręć mocno rączkę uchwyty boczny (Rys. 6).

### 8. Przełączanie z funkcji UDERZENIA na OBROTY (Rys. 7)

Zmieniając położenie dźwigni przełącznika – w lewo lub w prawo – można łatwo przełączyć tryb pracy młotowiertarki z funkcji, odpowiednio, UDERZENIA (obrotowo-udarowa) na OBROTY (tylko obrotowa). By wierceć otwory w takich twardych materiałach jak beton, kamień czy płytki dźwignię należy przełączyć w prawo (strona jest oznaczona symbolem **T**). Wiertło będzie zarówno się obracać, jak i uderzać. By wierceć otwory w metalu, drewnie i plastiku należy dźwignię przełączyć w lewo (strona oznaczona symbolem **2**). Wiertło będzie się jedynie obracać – jak w przypadku zwykłej wiertarki elektrycznej.

**UWAGA**

- Nie używaj funkcji UDERZENIA, jeżeli w danym materiale można wierceć otwory przy użyciu tylko funkcji obrotowej. Nie tylko zmniejszyłoby to skuteczność wiercenia, ale także mogłoby doprowadzić do uszkodzenia wiertła.
- Włączenie młotowiertarki przy dźwigni zmiany funkcji ustawionej pomiędzy funkcjami Obroty i Uderzenia może doprowadzić do jej zniszczenia. Przy przełączaniu dźwigni upewnij się, że jest ona w jednym z dwóch prawidłowych ustawień.

**JAK UŻYWAĆ MŁOTOWIERTARKI****1. Włączanie (Rys. 8)**

- Gdy spust jest wciśnięty, to narzędzie pracuje. Gdy spust zostanie zwolniony, narzędzie się zatrzyma.
- Wciśnięcie zatyczki po wciśnięciu spustu włącza narzędzie w tryb pracy, co jest przydatne przy pracy ciągłej. Aby wyłączyć zatyczkę, należy ponownie wcisnąć spust.
- < Tylko dla modeli DV13VSS i DV16VSS >
- Prędkością obrotową wiertła można sterować różnicując stopień wciśnięcia spustu. Prędkość jest mniejsza, gdy spust jest wciśnięty tylko trochę i wzrasta przy dalszym jego wciskaniu.

**2. Użycie jako zwykłej wiertarki lub wiertarki udarowej****(1) Nacisk wiertarki**

Otwory nie będą wiercone szybciej, nawet jeżeli dociśniesz wiertarkę z większą siłą, niż jest to konieczne. Może to doprowadzić nie tylko do uszkodzenia końcówki wiertła, ale również do zmniejszenia wydajności pracy, jak również szybkiego zużycia wiertła.

**(2) Wiercenie otworów na wylot**

W chwili przewiercania materiału wiertło może pęknąć. Ważne jest, aby zmniejszyć nacisk tuż przed przewierceniem materiału na wylot.

**UWAGA**

Po zakończeniu dłuższego, nieprzerwanego wiercenia urządzenie powinno pracować przez 5 sekund bez obciążenia.

**(3) Użycie grubego wiertła**

Twoje ramię stawia opór większej sile w przypadku, gdy używasz grubego wiertła. Uważaj, aby nie ulec sile reakcji wiertarki. Aby się przed tym uchronić, należy podczas pracy pewnie stać na ziemi, trzymać narzędzie mocno obiema rękoma prostopadle do powierzchni nawiercanego materiału.

**KONSERWACJE I PRZEGLĄDY****1. Kontrola wiertel**

Jako, że używanie tępych wiertel powoduje niewłaściwą pracę silnika i mniejszą wydajność młotowiertarki, po zauważeniu, że wiertło się stępiło niezwłocznie wymień je na nowe lub naostrz.

**2. Kontrola śrub mocujących**

Regularnie sprawdzaj, czy wszystkie śruby mocujące są dokręcone. Jeżeli jakkolwiek z nich się poluzowała, to natychmiast ją dokręć. W innym razie mogłoby to doprowadzić do poważnego wypadku.

**3. Konserwacja silnika**

Wirnik silnika jest sercem tego urządzenia elektrycznego. Zadbaj, by wirnik nie został uszkodzony i/lub nie zawilgotniał lub nie pokrył się olejem.

**4. Kontrola szczoteczek węglowych**

By praca z narzędziem zawsze była bezpieczna i aby uniknąć ryzyka porażenia prądem, węglowe szczoteczki tego narzędzia powinny być sprawdzane i wymieniane TYLKO przez Autoryzowane Centrum Obsługi Hitachi.

**5. Lista części zamiennych**

- A: Nr części
- B: Nr kodu
- C: Ilość użytych części
- D: Uwagi

**UWAGA**

Naprawy, modyfikacji i kontroli Narzędzi Elektrycznych Hitachi może dokonywać tylko Autoryzowane Centrum Obsługi Hitachi.

Ta lista części będzie przydatna, jeśli zostanie wręczona Autoryzowanemu Centrum Obsługi Hitachi, gdy zaniesiemy narzędzie do naprawy lub przeglądu.

Podczas używania i konserwacji narzędzi elektrycznych należy przestrzegać przepisów i norm bezpieczeństwa danego kraju.

**MODYFIKACJE**

Narzędzia elektryczne Hitachi są ciągle ulepszone i modyfikowane w celu wprowadzania najnowszych osiągnięć nauki i techniki.

W związku z tym pewne części (a także numery kodów i konstrukcja) mogą ulec zmianom bez uprzedzenia.

**GWARANCJA**

Gwarancja na elektronarzędzia Hitachi jest udzielana z uwzględnieniem praw statutowych i przepisów krajowych. Gwarancja nie obejmuje wad i uszkodzeń powstałych w wyniku niewłaściwego użytkowania lub wynikających z normalnego zużycia. W wypadku reklamacji należy dostarczyć kompletne elektronarzędzie do autoryzowanego centrum serwisowego Hitachi wraz z KARTĄ GWARANCYJNĄ znajdującą się na końcu instrukcji obsługi.

**UWAGA**

W związku z prowadzonym przez Hitachi programem badań i rozwoju, specyfikacje te mogą się zmienić w każdej chwili bez uprzedzenia.

**Informacje dotyczące poziomu hałasu i wibracji przenoszonych przez powietrze**

Podane wartości zostały zmierzone zgodnie z normą EN50144.

Typowy poziom dźwięku A: 99 dB (A).

Typowe natężenie dźwięku A: 112 dB (A).

Niepewność KpA: 3 dB (A).

Używaj środków ochrony słuchu.

Typowa wartość skuteczna przyspieszenia wynosi: 10,5 m/s<sup>2</sup>.

## SZERSZÁMGÉPEKRE VONATKOZÓ ÁLTALÁNOS BIZTONSÁGI FIGYELMEZTETÉSEK

### FIGYELEM

Olvasson el minden biztonsági figyelmeztetést és minden utasítást.

A figyelmeztetések és utasítások be nem tartása áramütést, tüzet és/vagy súlyos sérülést eredményezhet.

Őrizzen meg minden figyelmeztetést és utasítást a jövőbeni hivatkozás érdekében.

A "szerszámgép" kifejezés a figyelmeztetéseken a hálózatról működő (vezetékes) vagy akkumulátorról működő (vezeték nélküli) szerszámgépre vonatkozik.

### 1) Munkaterületi biztonság

- Tartsa a munkaterület tisztán és jól megvilágítva.**  
*A teleszűfolt vagy sötét területek vonzzák a baleseteket.*
- Ne üzemeltesse a szerszámgépeket robbanásveszélyes atmoszférában, mint például gyúlékony folyadékok, gázok vagy por jelenlétében.**  
*A szerszámgépek szikrákat keltenek, amelyek meggyújthatják a port vagy gőzöket.*
- Tartsa távol a gyermekeket és körülállók, miközben a szerszámgépet üzemelteti.**  
*A figyelemelvonás a kontroll elvesztését okozhatja.*

### 2) Érintésvédelem

- A szerszámgép dugaszoknál meg kell felelniük az aljzatnak.**  
**Soha, semmilyen módon ne módosítsa a dugaszt. Ne használjon semmilyen adapter dugaszt földelt szerszámgépekkel.**  
*A nem módosított dugaszok és a megfelelő aljzatok csökkentik az áramütés kockázatát.*
- Kerülje a test érintkezését földelt felületekkel, mint például csövekkel, radiátorokkal, tűzhelyekkel és hűtőszekrényekkel.**  
*Az áramütés kockázata megnövekszik, ha a teste földelven van.*
- Ne tegye ki a szerszámgépeket esőnek vagy nedves körülményeknek.**  
*A szerszámgépbe kerülő víz növeli az áramütés kockázatát.*
- Ne rongálja meg a vezetéket. Soha ne használja a vezetéket a szerszámgép szállítására, húzására vagy kihúzására.**  
**Tartsa távol a vezetéket a hőtől, olajtól, éles szegélyektől vagy mozgó alkatrészekről.**  
*A sérült vagy összekuszálódott vezetékek növelik az áramütés kockázatát.*
- Szerszámgép szabadban történő üzemeltetése esetén használjon szabadtéri használatra alkalmas hosszabbító kábelt.**  
*A szabadtéri használatra alkalmas kábel használata csökkenti az áramütés kockázatát.*
- Ha elkerülhetetlen a szerszámgép nyirkos helyen történő használata, használjon maradékáram-készülékkel (RCD) védett táplálást.**  
*Az RCD használata csökkenti az áramütés kockázatát.*

### 3) Személyi biztonság

- Álljon készenlétben, figyelje, hogy mit tesz, és használja a józan eszt a szerszámgép üzemeltetésekor.**  
**Ne használja a szerszámgépet fáradtan, kábítószert, alkoholt vagy gyógyszer befolyása alatt.**

A szerszámgépek üzemeltetése közben egy pillanatnyi figyelmetlenség súlyos személyi sérülést eredményezhet.

- Használjon személyi védőfelszerelést. Mindig viseljen védőszemüveget.**  
*A megfelelő körülmények esetén használt védőfelszerelés, mint például a porálarca, nem csúszó biztonsági cipő, kemény sisak, vagy hallásvédő csökkenti a személyi sérüléseket.*
- Előzze meg a véletlen elindítást. Győződjön meg arról, hogy a kapcsoló a KI helyzetben van, mielőtt csatlakoztatja az áramforráshoz és/vagy az akkumulátorcsomaghoz, amikor felveszi vagy szállítja a szerszámot.**  
*A szerszámgépek szállítása úgy, hogy az ujjá a kapcsolón van vagy a bekapcsolt helyzetű szerszámgépek áram alá helyezése vonzza a baleseteket.*
- Távolítson el minden állítókulcsot vagy csavarkulcsot, mielőtt bekapcsolja a szerszámgépet.**  
*A szerszámgép forgó részéhez csatlakoztatva hagyott csavarkulcs vagy kulcs személyi sérülést eredményezhet.*
- Ne nyúljon át. Mindenkor álljon stabilan, és őrizze meg egyensúlyát.**  
*Ez lehetővé teszi a szerszámgép jobb ellenőrzését váratlan helyzetekben.*
- Öltözzön megfelelően. Ne viseljen laza ruházatot vagy ékszert. Tartsa távol a haját, ruházatát és kesztyűjét a mozgó részekről.**  
*A laza ruházat, ékszer vagy hosszú haj beakadhat a mozgó részekbe.*
- Ha vannak rendelkezésre bocsátott eszközök a porelszívó és gyűjtő létesítmények csatlakoztatásához, gondoskodjon arról, hogy ezek csatlakoztatva és megfelelően használva legyenek.**  
*A porgyűjtő használata csökkentheti a porhoz kapcsolódó veszélyeket.*
- A szerszámgép használata és ápolása**
  - Ne erőltesse a szerszámgépet. Használjon az alkalmazásához megfelelő szerszámgépet.**  
*A megfelelő szerszámgép jobban és biztonságosabban végzi el a feladatot azon a sebességen, amelyre azt tervezték.*
  - Ne használja a szerszámgépet, ha a kapcsoló nem kapcsolja azt be és ki.**  
*Az a szerszámgép, amely a kapcsolólóval nem vezérelhető, veszélyes és meg kell javítani.*
  - Húzza ki a dugaszt az áramforrásból és/vagy az akkumulátorcsomagot a szerszámgépéből, mielőtt bármilyen beállítást végez, tartozékokat cserél vagy tárolja a szerszámgépeket.**  
*Az ilyen megelőző biztonsági intézkedések csökkentik a szerszámgép véletlen beindulásának kockázatát.*
  - A használaton kívüli szerszámgépeket tárolja úgy, hogy gyermekek ne érhessek el, és ne engedje meg, hogy a szerszámgépet vagy ezeket az utasításokat nem ismerő személyek üzemeltessék a szerszámgépet.**  
*Képzetlen felhasználók kezében a szerszámgépek veszélyesek.*
  - A szerszámgépek karbantartása. Ellenőrizze a helytelen beállítást, a mozgó részek elakadása, alkatrészek törése és minden olyan körülmény szempontjából, amelyek befolyásolhatják a szerszám működését.**

**Ha sérült, használat előtt javíttassa meg a szerszámot.**

*Sok balesetet a rosszul karbantartott szerszámgépek okoznak.*

**f) A vágószerszámokat tartsa élesen és tisztán.**

*Az éles vágóélekkel rendelkező, megfelelően karbantartott vágószerszámok kevésbé valószínűen akadnak el és könnyebben kezelhetők.*

**g) A szerszám gép tartozékait és betétkéseit, stb. használja ezeknek az utasításoknak megfelelően, figyelembe véve a munkakörülményeket és a végzendő munkát.**

*A szerszám gép olyan műveletekre történő használata, amelyek különböznek a szándékoltaktól, veszélyes helyzetet eredményezhet.*

**5) Szervíz**

**a) A szerszám gépét képesített javító személyvel szervizeltesse, csak azonos cserealkatrészek használatával.**

*Ez biztosítja, hogy a szerszám gép biztonsága megmaradjon.*

**VIGYÁZAT**

**Tartsa távol a gyermekeket és beteg személyeket.**

**Amikor nincs használatban, a szerszámokat úgy kell tárolni, hogy gyermekek és beteg személyek ne érhesék el.**

**AZ ÜTVEFÚRÓGÉP HASZNÁLATÁVAL KAPCSOLATOS ELŐVIGYÁZATOSSÁGI INTÉZKEDÉSEK**

- 1. Az ütvefúrógép használata közben viseljen fülvédőt.**  
A zajnak való kitettség halláskárosodást okozhat.
- 2. Használja a szerszám géphez mellékelt kiegészítő fogantyút.**  
Az ellenőrzés elvesztése személyi sérülést okozhat.
- 3. Falakba, mennyezetekbe vagy padlóba történő fúrás előtt győződjön meg arról, hogy azokban nem futnak elektromos vezetékek.**
- 4. Amikor betont, vagy hasonlóan kemény anyagot fúr ÜTVEFÚRÓ módban, a forgásirány-váltó kart helyezze az R-jelzéshez. (9. ábra)**

**MŰSZAKI ADATOK**

Modell	DV13SS	DV13VSS	DV16SS	DV16VSS
Feszültség (terület szerint)*	(110V, 220V, 230V, 240V)~			
Névleges teljesítményfelvétel*	550 W		600 W	
Megfordítható	Nincs	Igen	Nincs	Igen
Üresjárat fordulatszám	2900 min <sup>-1</sup>	0–2900 min <sup>-1</sup>	2900 min <sup>-1</sup>	0–2900 min <sup>-1</sup>
Fúrótokmány kapacitás	13 mm			
Kapacitás	Acél	13 mm		
	Beton	13 mm	16 mm	
	Fa	20 mm	25 mm	
Teljes terheléses ütési-sebesség	29000 min <sup>-1</sup>			
Súly (tápkábel nélkül)	1,4 kg		1,5 kg	

\*Ne felejtse el ellenőrizni a típusablán feltüntetett adatokat, mivel ezek területenként változnak!

**STANDARD TARTOZÉKOK**

Modell	Tokmány műszaki adatai	Standard tartozékok
DV13SS	Kulcsos	Tokmánykulcs ..... 1
DV13VSS	Kulcs nélküli	Tokmánykulcs ..... 1
		Hordtáska ..... 1
		Mélységmérő ..... 1
DV16SS	Kulcsos	Oldalfogantyú ..... 1
		Tokmánykulcs ..... 1
		Mélységmérő ..... 1
DV16VSS	Kulcsos	Oldalfogantyú ..... 1
		Tokmánykulcs ..... 1
		Mélységmérő ..... 1
	Kulcs nélküli	Oldalfogantyú ..... 1
		Hordtáska ..... 1
		Mélységmérő ..... 1
		Oldalfogantyú ..... 1

**VÁLASZTHATÓ TARTOZÉKOK (külön megrendelésre)**

- Ütvefúró hegy (betonhoz)  
3,2 mm – 20 mm átmérő

A választható tartozékok előzetes bejelentés nélkül változhatnak.

**FELHASZNÁLÁSI TERÜLETEK**

- FORGÁS és ÜTVEFÚRÁS:  
Lyukak fúrása kemény anyagokba (beton, márvány, gámit, csempé, stb.)
- FORGÁS:  
Lyukak fúrása fémbe, fába és műanyagba.

A standard tartozékok előzetes bejelentés nélkül változhatnak.

## ÜZEMBEHELYEZÉS ELŐTTI TENNIVALÓK

- 1. Áramforrás**  
Ügyeljen rá, hogy a készülék adattábláján feltüntetett feszültség értéke megegyezzen az alkalmazni kívánt hálózati feszültséggel.
- 2. Hálózati kapcsoló**  
Ügyeljen rá, hogy a hálózati kapcsoló KI állásba legyen kapcsolva. Ha a csatlakozódugót úgy csatlakoztatja a dugaszolóaljzatba, hogy a hálózati kapcsoló BE állásban van, akkor a kéziszerszám azonnal működésbe lép, ami súlyos balesetet idézhet elő.
- 3. Hosszabbító vezeték**  
Ha a munkaterület az áramforrástól távol található, akkor egy megfelelő keresztmetszetű és teljesítményű hosszabbító vezetéket kell alkalmazni. A hosszabbító vezeték a lehető legrövidebb legyen.
- 4. A megfelelő fűróhegy kiválasztása**
  - Beton vagy a kő fűrása esetén  
Használja a választható tartozékok között meghatározott fűróhegyeket.
  - Fém vagy műanyag fűrása esetén  
Használjon normál fémmegmunkáló fűróhegyet.
  - Ha fűrása esetén  
Használjon normál fagegmunkáló fűróhegyet.  
Ha azonban 6,5 mm-es vagy ennél kisebb lyukakat fúr, használjon fémmegmunkáló fűróhegyet.
- 5. A hegy felszerelése és eltávolítása**

### Tokmánykulcsos fűrótokmányhoz (1. ábra)

- (1) Nyissa ki a tokmány szorítófóáit és helyezze be a hegyet a tokmányba.
- (2) Illesse be a tokmánykulcsot a tokmány mindhárom lyukába és fordítsa el az óra járásával egyező irányban (a szerszám elejéről szemlélve), majd pedig biztonságosan szorítsa meg.
- (3) A hegy eltávolításához illesse be a tokmánykulcsot a tokmány egyik lyukába és fordítsa el az óra járásával ellenkező irányba.

### Kulcs nélküli tokmány esetén (2. ábra)

- (1) Nyissa ki a tokmány szorítófóáit és helyezze be a hegyet a tokmányba  
A tokmány szorítófóáinak kinyitására fogja le a gyűrűt, közben pedig forgassa a karmantyút az óra járásával ellentétes irányba (a szerszám elejéről szemlélve).
- (2) Erősen fogja meg a gyűrűt és forgassa a karmantyút az óra járásával egyező irányba, majd pedig biztonságosan szorítsa meg.
- (3) A hegy eltávolításához fogja meg erősen a gyűrűt és forgassa a karmantyút az óra járásával ellentétes irányba.
- (4) Amikor a hüvely már nem lazul tovább, rögzítse az oldalsó markolatot a támasztó gyűrűhöz, tartsa szorosan az oldalsó markolatot, azután forgassa a hüvelyt a kézzel történő meglazításhoz (3. ábra).
- 6. Ellenőrizze a forgásirányt (4. ábra) (Kizárólag DV13VSS, DV16VSS)**  
A forgásirány-váltó kar R-jelöléshez történő átkapcsolásával a hegy az óramutató járásával megegyező irányban forog (A szerszám végétől szemlélve).  
A hegy óramutató járásával ellenkező irányban történő forgásához a forgásirány-váltó kart helyezze vissza az L-jelöléshez.  
(Az (L) és az (R) jelöléseket a szerszám házában találja meg.)

## FIGYELEM

Ha az ütvefűrőgépet ütvefűrőként használja, akkor azt mindig az óramutató járásával megegyező fűrásiránnyal használja.

- 7. Az oldalfogantyú rögzítése (5. ábra)**  
Csatlakoztassa az oldalfogantyút a befogórészbe.  
A rögzítéshez forgassa az oldalfogantyút karmantyúját az óramutató járásával megegyező irányba.  
Állítsa az oldalfogantyút olyan helyzetbe, hogy az megfeleljen a műveletnek, majd pedig biztonságosan szorítsa meg az oldalfogantyút karmantyúját.  
A mélységmérőnek az oldalfogantyúhoz történő csatlakoztatásához illesse be a mélységmérőt az oldalfogantyún lévő horonyba, állítsa be a mélységmérőt a lyuk kívánt mélységének megfelelően, majd pedig biztonságosan szorítsa meg az oldalfogantyú karmantyúját (6. ábra).
- 8. Átkapcsolás ÜTVEFŰRÁS-ról FORGÁS-ra (7. ábra)**  
Az ÜTVEFŰRÁS (forgás és ütés), valamint a FORGÁS (csak forgás) között történő átkapcsoláshoz egyszerűen csak az üzemmód váltó jobb- és baloldali állása között kell átkapcsolnia.  
Lyukaknak kemény anyagokba (mint például beton, kő és csempé) történő fűrásához kapcsolja az üzemmód váltót a jobboldali pozícióba (ezt a **T** jel jelöli).  
A fűróhegy ütés és forgás kombinált alkalmazásával működik.  
Lyukaknak fémbe, fába és műanyagba történő fűrásához állítsa az üzemmód váltót a baloldali pozícióba (ezt a **U** jel jelöli).  
A fűróhegy csak forgás alkalmazásával működik, ugyanúgy, mint egy hagyományos villanyfűrő-gép esetében.

## FIGYELEM

- Ne használjon ütvefűrő-gépet az ÜTVEFŰRÁS funkcióban, ha az anyagot csak forgással lehet fúrni. Az ilyen lépés nem csupán a fűrés hatékonyságát csökkenti, de károsíthatja a fűróhegyet is.
- Ha úgy működteti az ütvefűrő-gépet, hogy az üzemmód váltó a középső pozícióban van, akkor ez károsodást okozhat. Kapcsolás esetén győződjön meg arról, hogy a helyes állásba állította az üzemmód-váltót.

## HASZNÁLAT

- 1. A kapcsoló működtetése (8. ábra)**
    - A kapcsoló megnyomásakor a szerszám forog. Ha a kapcsolót felengedjük, akkor a szerszám megáll.
    - A kapcsoló és az ütköző együttes megnyomásakor a fűrő olyan bekapcsolt állapotban marad, amely kényelmes a folyamatos működéshez. Kikapcsoláskor az ütköző a kapcsoló ismételt megnyomásával lehet oldani.
- < Kizárólag DV13VSS, DV16VSS >
- A fűrő forgási sebességét a kapcsoló megnyomásának intenzitását változtatva tudjuk szabályozni. A kapcsoló enyhe megnyomásakor a fűrő sebessége alacsony, és a nyomás fokozásával a sebesség is növekszik.
- 2. Fűrőgépként vagy ütvefűrőgépként történő használat esetén**
    - (1) A fűrőgép nyomóereje  
Nem tud gyorsabban lyukakat fúrni még akkor sem, ha a fűrőgépet a szükségesnél nagyobb erővel nyomja. Ez nem csak a fűrószár hegyét károsítja és csökkenti a művelet hatékonyságát, de a fűrőhegy élettartamát is megrövidíti.
    - (2) Lyukakon áthatolás esetén  
A fűrószárak eltörhetnek, amikor a fűrt anyagon áthatol. Fontos a nyomórő csökkenése közvetlenül az áthatolás előtt.



**FIGYELEM**

Folyamatos üzemeltetés esetén járassa öt másodpercig terhelés nélkül az egyes fűrési munkák befejezése után.

- (3) Vastag fűrőszár használata esetén

A karja nagyobb visszaható erőnek van kitéve, amikor vastagabb fűrőszárat használ. Legyen óvatos, hogy a visszaható erő ne mozdítsa el. Ehhez hozzon létre egy lábtartót, tartsa az egységet szorosan mindkét kézzel a fűrt anyagra merőlegesen.

**ELLENŐRZÉS ÉS KARBANTARTÁS****1. A fűrőhegyek ellenőrzése**

Miután az elkopott fűrőhegyek használata a motor hibás működését és a hatékonyság romlását okozhatja, a kopottság észlelésekor késedelem nélkül cserélje ki a fűrőhegyeket új vagy pedig megélezett hegyekre.

**2. A tartócsavarok ellenőrzése**

Rendszeresen ellenőrizze az összes tartócsavart, és gondoskodjon arról, hogy azok szorosan meg legyenek húzva. Ha bármelyik csavar kilazulna, azonnal húzza meg őket. Ennek elmulasztása ugyanis súlyos veszélyt okozhat.

**3. A motor karbantartása**

Az elektromos szerszám lelke a motor tekerccselése. Ügyeljen arra, hogy a tekerccselés ne sérüljön meg és ne érje olaj vagy víz.

**4. A szénkefék ellenőrzése**

Az Ön folyamatos biztonsága és az elektromos áramütés veszélyének elkerülése érdekében e szerszám szénkeféinek ellenőrzését és cseréjét **KIZÁRÓLAG** csak Hitachi Szakszervíz végezheti.

**5. Szervizelési alkatrészlista**

- A: Alkatrész-szám
- B: Kódszám
- C: Használt darabszám
- D: Megjegyzések

**FIGYELEM**

Hitachi kéziszerszámok javítását, módosítását és ellenőrzését csak Hitachi Szakszervíz végezheti.

Javítás vagy egyéb karbantartás esetén hasznos ha ezt a szervíz-alkatrész listát a szerszámmal együtt átadjuk a Hitachi szakszervíznek.

A kéziszerszámok üzemeltetése és karbantartása során be kell tartani az egyes országokban érvényben lévő biztonsági rendelkezéseket és szabványokat.

**MÓDOSÍTÁSOK**

A Hitachi kéziszerszámok állandó tökéletesítéseken mennek át, hogy alkalmazni tudják a legújabb műszaki fejlesztések eredményeit.

Éppen ezért egyes alkatrészek (azok kódszámai illetve kiviteli módjai) előzetes bejelentés nélkül megváltozhatnak.

**GARANCIA**

A Hitachi Power Tools szerszámokra a törvényes/országos előírásoknak megfelelő garanciát vállalunk. A garancia nem vonatkozik a helytelen vagy nem rendeltetésszerű használatból, továbbá a normál mértékűnek számító elhasználódásból, kopásból származó meghibásodásokra, károokra. Reklamáció esetén kérjük, küldje el a - nem szétszerelt - szerszámot a kezelési útmutató végén található **GARANCIA BIZONYLATTAL** együtt a hivatalos Hitachi szervizközpontba.

**MEGJEGYZÉS**

A HITACHI folyamatos kutatási és fejlesztési programja következtében az itt szereplő műszaki adatok előzetes bejelentés nélkül változhatnak.

**A környezeti zajra és vibrációra vonatkozó információk**

A mért értékek az EN50144 szabvány szerint kerültek meghatározásra.

Jellemző A - súlyozott hangnyomásszint: 99 dB (A).

Jellemző A - súlyozott hangnyomásszint: 112 dB (A).

Bizonytalanság KpA: 3 dB (A).

Viseljen hallásvédő eszközt!

A jellemző súlyozott gyorsulás négyzetes középértéke: 10,5 m/s<sup>2</sup>.

## OBCENÁ VAROVÁNÍ TÝKAJÍCÍ SE BEZPEČNOSTI EL. PŘÍSTROJE

### ⚠ UPOZORNĚNÍ

Přečtěte si všechna varování týkající se bezpečnosti a všechny pokyny.

Neododržení těchto varování a pokynů může mít za následek elektrický šok, požár a/nebo vážné zranění.

Všechna varování a pokyny si uschovejte. V budoucnu se vám mohou hodit.

Pojem "elektrický nástroj" v těchto varováních se vztahuje k vašemu elektrickému nástroji napájenému ze sítě (se šňůrou) nebo napájenému z baterie (bez šňůry).

#### 1) Bezpečnost na pracovišti

- Udržujte vaše pracoviště čisté a dobře osvětlené.**  
*V důsledku nepořádku nebo tmy dochází k nehodám.*
- Neprovozujte elektrické nástroje ve výbušném ovzduší, např. v přítomnosti hořlavých kapalin, plynů či prachu.**  
*Elektrické nástroje produkují jiskry, které by mohly zapálit prach anebo plyny.*

- Během práce s elektrickým nástrojem zabraňte přístupu dětí a přihlížejících osob.**  
*Rozptylování by mohlo způsobit ztrátu vaší kontroly nad nástrojem.*

#### 2) Elektrická bezpečnost

- Zástrčka elektrického nástroje musí odpovídat zásuvce.**  
**Nikdy se nepokoušejte zástrčku jakkoli upravovat. U uzemněných elektrických nástrojů nepoužívejte žádné rozbočovací zásuvky.**  
*Neupravené zástrčky a odpovídající zásuvky snižují nebezpečí elektrického šoku.*

- Zabraňte kontaktu s uzemněnými povrchy jako jsou trubky, radiátory, sporáky a lednice.**  
*Je-li uzemněné vaše tělo, existuje zvýšené nebezpečí elektrického šoku.*

- Nevystavujte elektrický nástroj dešti nebo vlhkým podmínkám.**  
*Voda, která vnikne do elektrického nástroje, zvyšuje nebezpečí elektrického šoku.*

- Zacházejte správně s napájecí šňůrou. Nikdy šňůru nepoužívejte k přenášení, tahání nebo odpojování elektrického nástroje ze zásuvky. Umístěte napájecí šňůru mimo působení horka, mimo olej, ostré hrany nebo pohybující se části.**  
*Poškozené nebo zamotané šňůry zvyšují nebezpečí elektrického šoku.*

- Během provozu elektrického nástroje venku používejte prodlužovací šňůru vhodnou k venkovnímu použití.**  
*Použití šňůry vhodné k venkovnímu použití snižuje nebezpečí elektrického šoku.*

- Pokud je použití elektrického nástroje na vlhkém místě nevyhnutelné, použijte napájení s ochranným zařízením na zbytkový proud.**  
*Použití zařízení na zbytkový proud snižuje riziko elektrického šoku.*

- Během provozu elektrického nástroje venku používejte prodlužovací šňůru vhodnou k venkovnímu použití.**  
*Použití šňůry vhodné k venkovnímu použití snižuje nebezpečí elektrického šoku.*

- Pokud je použití elektrického nástroje na vlhkém místě nevyhnutelné, použijte napájení s ochranným zařízením na zbytkový proud.**  
*Použití zařízení na zbytkový proud snižuje riziko elektrického šoku.*

- Během provozu elektrického nástroje venku používejte prodlužovací šňůru vhodnou k venkovnímu použití.**  
*Použití šňůry vhodné k venkovnímu použití snižuje nebezpečí elektrického šoku.*

- Pokud je použití elektrického nástroje na vlhkém místě nevyhnutelné, použijte napájení s ochranným zařízením na zbytkový proud.**  
*Použití zařízení na zbytkový proud snižuje riziko elektrického šoku.*

- Během provozu elektrického nástroje venku používejte prodlužovací šňůru vhodnou k venkovnímu použití.**  
*Použití šňůry vhodné k venkovnímu použití snižuje nebezpečí elektrického šoku.*

- Během provozu elektrického nástroje venku používejte prodlužovací šňůru vhodnou k venkovnímu použití.**  
*Použití šňůry vhodné k venkovnímu použití snižuje nebezpečí elektrického šoku.*

- Během provozu elektrického nástroje venku používejte prodlužovací šňůru vhodnou k venkovnímu použití.**  
*Použití šňůry vhodné k venkovnímu použití snižuje nebezpečí elektrického šoku.*

- Během provozu elektrického nástroje venku používejte prodlužovací šňůru vhodnou k venkovnímu použití.**  
*Použití šňůry vhodné k venkovnímu použití snižuje nebezpečí elektrického šoku.*

Jediný okamžik nepozornosti při práci s elektrickým nástrojem může způsobit vážné zranění.

- Používejte osobní ochranné pracovní pomůcky. Vždy noste ochranu očí.**

Ochranné pracovní pomůcky jako respirátor, bezpečnostní obuv s protiskluzovou podrážkou, ochranná přilba nebo ochrana sluchu použité v příslušných podmínkách sniží možnost zranění.

- Zabraňte nechtěnému spuštění. Před připojením ke zdroji napájení a/nebo bateriového zdroje, zvedáním nebo přenášením elektrického nástroje se ujistěte, že je spínač v poloze vypnuto.**

Nošením elektrických nástrojů s prstem na vypínači nebo jejich aktivací s vypínačem v poloze zapnuto vzniká nebezpečí úrazu.

- Před zapnutím elektrického nástroje odstraňte seřizovací klíč.**

Klíč ponechaný připevněný k rotující části elektrického nástroje může způsobit zranění.

- Nepřehánějte to. Vždy si udržujte správné postavení a stabilitu.**

To umožní lepší kontrolu nad elektrickým nástrojem v nepředvídaných situacích.

- Noste správný oděv. Nenoste volné oblečení ani šperky. Vlasy, oděv a rukavice udržujte mimo pohybující se části.**

Volný oděv, šperky nebo dlouhé vlasy mohou být vtaheny do pohybujících se částí.

- Pokud jsou k dispozici zařízení k připojení přístrojů k odsávání a sběru prachu, ujistěte se, že jsou připojena a správně používána.**

Použitím zařízení ke sběru prachu lze snížit rizika související s prachem.

#### 4) Používání a péče o elektrický nástroj

- Netlačte na elektrický nástroj. Používejte vždy vhodný elektrický nástroj pro danou aplikaci.**

Správný elektrický nástroj provede daný úkol lépe a bezpečněji, rychleji, pro jakou byl zkonstruován.

- Nepoužívejte elektrický nástroj, pokud nefunguje jeho zapínání a vypínání pomocí vypínače.**

Jakýkoli elektrický nástroj, který nelze ovládat vypínačem, je nebezpečný a musí být opraven.

- Před prováděním jakéhokoli seřízení, před výměnou příslušenství nebo uskladněním elektrických nástrojů vždy nejprve odpojte zástrčku ze zdroje napájení a/nebo odpojte bateriový zdroj.**

Taková preventivní opatření snižují nebezpečí nechtěného spuštění elektrického nástroje.

- Nepoužívané elektrické nástroje skladujte mimo dosah dětí a nedovoďte, aby s elektrickým nástrojem pracovaly osoby, které nejsou seznámeny s ním nebo s pokyny k jeho používání.**

Elektrické nástroje v rukou nevyškolených uživatelů jsou nebezpečné.

- Udržujte elektrické nástroje. Kontrolujte případná vychýlení nebo sevření pohybujících se částí, poškozené části a jakékoli ostatní podmínky, které mohou mít vliv na provoz elektrických nástrojů.**

V případě poškození nechte elektrický nástroj před jeho dalším použitím opravit.

Mnoho nehod vzniká v důsledku nesprávné údržby elektrických nástrojů.

- Udržujte řezací nástroje ostré a čisté. Správně udržované řezací nástroje s ostrými řeznými hranami se méně pravděpodobně zaseknou a lépe se ovládají.**

- g) Elektrický nástroj, příslušenství, vsazené části atd. používejte v souladu s těmito pokyny. Berte přitom zřetel na pracovní podmínky a prováděnou práci.

Použití elektrického nástroje k jinému než určenému účelu může způsobit nebezpečnou situaci.

5) Servis

- a) Servis vašeho elektrického nástroje svěřte kvalifikovanému opraváři, který použije pouze identické náhradní díly.

Tak bude i nadále zajištěna bezpečnost elektrického nástroje.

**PREVENTIVNÍ OPATŘENÍ**

Nedovolte přístup dětem a slabomyslným osobám.

Pokud nástroje nepoužíváte, měli byste je skladovat mimo dosah dětí a slabomyslných osob.

**OPATRNOST PŘI POUŽÍVÁNÍ PŘÍKLEPOVÉ VRTAČKY**

1. U příklepových vrtaček používejte ochranu sluchu. V důsledku vystavení hluku může dojít ke ztrátě sluchu.
2. Používejte pomocné rukojeti dodané s nářadím. V případě ztráty kontroly může dojít k poranění osob.
3. Před započetím prací na stěnách, podlaze nebo stropích se přesvědčte, že uvnitř se nenachází žádné elektrické kabely nebo vodiče.
4. Při vrtání betonu nebo jiného tvrdého materiálu v režimu PŘÍKLEP otočte páčku pro změnu směru otáčení na značku R. (Obr. 9)

**TECHNICKÉ ÚDAJE**

Model	DV13SS	DV13VSS	DV16SS	DV16VSS
Napětí (podle příslušné oblasti)*	(110V, 220V, 230V, 240V) ~			
Příkon*	550 W		600 W	
Přepínatelný	Žádný	Ano	Žádný	Ano
Rychlost bez zatížení	2900 min <sup>-1</sup>	0–2900 min <sup>-1</sup>	2900 min <sup>-1</sup>	0–2900 min <sup>-1</sup>
Upínací průměr nástroje ve sklíčidle	13 mm			
Kapacita	Ocel	13 mm		
	Beton	13 mm	16 mm	
	Dřevo	20 mm	25 mm	
Příklepová rychlost při plném zatížení	2900 min <sup>-1</sup>			
Hmotnost (bez šňůry)	1,4 kg		1,5 kg	

\*Zkontrolujte, prosíme, štítek na výrobku. Štítek podléhá změnám v závislosti na oblastech použití.

**STANDARDNÍ PŘÍSLUŠENSTVÍ**

Model	Specifikace sklíčidla	Standardní příslušenství
DV13SS	Na klíč	Klíč sklíčidla ..... 1
DV13VSS	Na klíč	Klíč sklíčidla ..... 1
	Bez použití klíče	Kuffík ..... 1
		Měřítka hloubky ..... 1 Boční držadlo ..... 1
DV16SS	Na klíč	Klíč sklíčidla ..... 1 Měřítka hloubky ..... 1 Boční držadlo ..... 1
DV16VSS	Na klíč	Klíč sklíčidla ..... 1 Měřítka hloubky ..... 1 Boční držadlo ..... 1
	Bez použití klíče	Kuffík ..... 1
		Měřítka hloubky ..... 1 Boční držadlo ..... 1

Standardní příslušenství podléhá změnám bez upozornění.

**VOLITELNÉ PŘÍSLUŠENSTVÍ (prodává se zvlášť)**

- Příklepový vrták (do betonu) průměr 3,2 mm – 20 mm
- Doplnkové příslušenství podléhá změnám bez upozornění.

**POUŽITÍ**

- ROTACE ve spojení s PŘÍKLEPEM: Vyvrtávání otvorů do tvrdých materiálů (beton, mramor, žula, obkladačky atd.)
- ROTACE: Vyvrtávání otvorů do kovů, dřeva a plastů.

**PŘED POUŽITÍM**

1. **Zdroj napětí**  
Ujistěte se, že používaný zdroj napětí splňuje požadavky specifikované na štítku výrobku.
2. **Spínač**  
Ujistěte se, že spínač je v poloze VYPNUTO. Pokud je zástrčka zasunuta v zásuvce elektrického proudu a spínač je v poloze ON, zařízení začne okamžitě pracovat, a to může způsobit vážný úraz.
3. **Prodlužovací kabel**  
Pokud je pracoviště vzdáleno od zdroje napájení, použijte prodlužovací kabel o správné tloušťce a kapacitě. Je třeba, aby prodlužovací kabel byl co nejkratší.
4. **Volba správného vrtáku**
  - Při vrtání do betonu nebo kamene Použijte vrtáky uvedené v doplňkovém příslušenství.
  - Při vrtání do kovu nebo plastu Použijte obyčejný vrták na kov.

- Při vrtání do dřeva  
Použijte obyčejný vrták na dřevo.  
Při vrtání otvorů o průměru 6,5 mm a méně však použijte vrták na kov.

## 5. Nasazení a sejmutí vrtáku

### Pro vrtákové sklíčidlo s klíčem sklíčidla (Obr. 1)

- (1) Rozevřete čelisti sklíčidla a vložte vrták do sklíčidla.
- (2) Vsuňte klíč sklíčidla do kteréhokoliv ze tří otvorů ve sklíčidle a otáčejte jím ve směru otáčení hodinových ručiček (v pohledu zepředu). Pevně sklíčidlo utáhněte.
- (3) Chcete-li vrták vyjmout, vsuňte klíč sklíčidla do jednoho z otvorů ve sklíčidle a otáčejte jím proti směru otáčení hodinových ručiček.

### U sklíčidel bez klíče (Obr. 2)

- (1) Otevřete čelisti sklíčidla a vložte do něj vrták.  
Čelisti sklíčidla otevřete tak, že podržíte kroužek a otočíte pouzdem proti směru hodinových ručiček (při pohledu z přední strany).
- (2) Pevně uchopíte kroužek a otočíte pouzdem po směru hodinových ručiček. Pečlivě dotáhněte.
- (3) Vyjmutí vrtáku provedete tak, že pevně uchopíte kroužek a otočíte pouzdem proti směru hodinových ručiček.
- (4) Jestliže objímku již nelze uvolnit, upevněte boční držadlo k zádržnému kroužku, přidržte pevně boční držadlo, potom rukou objímku uvolněte (Obr. 3).

## 6. Zkontrolujte nastavený směr otáčení (Obr. 4) (Pouze DV13VSS, DV16VSS)

Vrták se otáčí po směru hodinových ručiček (pohled zezadu) stiskneme-li páčku pro změnu směru otáčení označenou písmenem R.

Po stisknutí strany páčky pro změnu směru otáčení označené písmenem L se vrták otáčí proti směru hodinových ručiček.

(Znaménka (L) a (R) jsou pouze na pouzdru zařízení.)

### POZOR

Při práci s příklepem používejte příklepový vrták vždy při rotaci po směru hodinových ručiček.

## 7. Upevnění bočního držadla (Obr. 5)

Přípevněte boční držadlo na úchyt.

Otáčení bočního držadla po směru hodinových ručiček je zajištěno na úchyty.

Nastavte boční držadlo do polohy vhodné k práci a poté pevně utáhněte úchyt bočního držadla.

Chcete-li na boční držadlo připravit měřítko hloubky, zasuňte měřítko do drážky tvaru U na bočním držadle, nastavte jeho polohu podle požadované hloubky otvoru a pevně utáhněte úchyt bočního držadla (Obr. 6).

## 8. Přepnutí z režimu PŘÍKLEP do režimu ROTACE (Obr. 7)

Přepnutí z režimu PŘÍKLEP (rotace a příklep) do režimu ROTACE (pouze rotace) je snadné – pomocí nastavením přepínače z pravé do levé polohy.

Při vrtání do tvrdých materiálů jako beton, kámen a obkladačky nastavte přepínač do pravé polohy (vyznačené znamínkem **T**).

Vrták pracuje v kombinaci příklepu a rotace.

Při vrtání otvorů v kovu, dřevu a plastech nastavte přepínač do levé polohy (vyznačené znamínkem **⚡**). Vrták pracuje pouze rotací, jako u konvenční elektrické vrtačky.

### POZOR

- Nepoužívejte příklepovou vrtačku v režimu PŘÍKLEP v případě, že materiál lze vrtat pouze rotací. V takovém případě může příklepový režim nejen snížit účinnost vrtačky, ale také poškodit špičku vrtáku.
- Funkce příklepové vrtačky s přepínačem ve střední poloze může vést k jejímu poškození. Při přepínání dbejte na to, abyste přepínač přepínali do správné polohy.

## JAK POUŽÍVAT PŘÍKLEPOVOU VRTAČKU

### 1. Funkce spínače (Obr. 8)

- Po stisknutí spouští se zařízení otáčí. Po uvolnění spouští se zařízení zastaví.
- Při stisknutí spouští a následném stisknutí zářezky zůstane zařízení v režimu zapnuto, což je výhodné pro déletrvající práci. Při vypínání je možno zářezku vypnout opětovným stiskem spouští.

< Pouze DV13VSS, DV16VSS >

- Rychlost rotace vrtačky lze ovládat mírou stisknutí spouští. Při malém stisknutí spouští je rychlost nízká a zvyšuje se při silnějším stisknutí spouští.

### 2. Použití jako vrtačka nebo příklepová vrtačka

#### (1) Přítlačná síla vrtačky

Otvory nevytváříte rychleji, pokud tlačíte na vrtačku větší silou, než je potřebné. Tím se nejen poškozuje hrot vrtáku a snižuje se účinnost vrtání, ale zkracuje se také životnost hrotu vrtáku.

#### (2) Vrtání průchozích otvorů

Při průniku vrtaného materiálu se mohou vrtačky zlomit. Před průnikem je důležité snížit přítlačnou sílu.

### POZOR

Při nepřetržitém chodu nechejte vrtačku po dokončení vrtání v chodu bez zatížení po dobu pěti vteřin.

#### (3) Použití vrtáku velkého průměru

Pokud se používá vrták většího průměru, na Vaši ruku působí větší reakční síla. Při působení reakční síly zajistěte, abyste se při práci nepohnuli. Toho lze dosáhnout opřením nohou a pevným uchopením nářadí oběma rukama kolmo k vrtanému materiálu.

## ÚDRŽBA A KONTROLA

### 1. Kontrola vrtáků

Používání opotřebovaných vrtáků způsobuje špatnou funkci motoru a snižuje účinnost. Proto zjistěte-li opotřebování vrtáků, vyměňte je neprodleně za nové nebo nabroušené.

### 2. Kontrola šroubů

Pravidelně zkontrolujte všechny šrouby a ujistěte se, že jsou správně utažené. Pokud najdete některé šrouby uvolněné, ihned je utáhněte. Neutažené šrouby mohou vést k vážnému riziku.

### 3. Údržba motoru

Vinutí motoru je srdce zařízení. Ujistěte se, že vinutí není poškozeno nebo vlhké vodou nebo olejem.

### 4. Kontrola uhlíkových kartáčků

V zájmu zachování bezpečnosti a ochrany před úrazem elektrickým proudem by kontrolu a výměnu uhlíkových kartáčků tohoto zařízení mělo provádět POUZE Autorizované Servisní Středisko Hitachi.

### 5. Seznam servisních položek

- A: Číslo položky
- B: Kód položky
- C: Číslo použití
- D: Poznámky

### POZOR

Opravy, modifikace a kontroly zařízení Hitachi musí provádět Autorizované servisní středisko Hitachi.

Tento seznam servisních položek bude užitečný, předložíte-li jej s vaším zařízením Autorizovanému servisnímu středisku Hitachi společně s požadavkem na opravu nebo další servis.

Při obsluze a údržbě elektrických zařízení musí být dodržovány bezpečnostní předpisy a normy platné v každé zemi, kde je výrobek používán.

**MODIFIKACE**

Výrobky firmy Hitachi jsou neustále zdokonalovány a modifikovány tak, aby se zavedly nejposlednější výsledky výzkumu a vývoje.

Následně, některé díly (např. čísla kódů nebo návrh) mohou být změněny bez předeslého oznámení.

---

**ZÁRUKA**

---

Ručíme za to, že elektrické nářadí Hitachi splňuje zákonné/ místně platné předpisy. Tato záruka nezahrnuje závady nebo poškození vzniklé v důsledku nesprávného použití, hrubého zacházení nebo normálního opotřebení. V případě reklamace zašlete prosím elektrické nářadí v nerozebraném stavu společně se ZÁRUČNÍM LISTEM připojeným na konci těchto pokynů pro obsluhu do autorizovaného servisního střediska firmy Hitachi.

---

**POZNÁMKA**

Z důvodu stále pokračujícího výzkumného a vývojového programu HITACHI mohou zde uvedené parametry podléhat změnám bez předchozího upozornění.

---

**Informace o hluku šířeném vzduchem a vibracích**

Naměřené hodnoty byly stanoveny podle normy EN 50144.

Nominální A-vážený akustický tlak: 99 dB (A).

Nominální A-vážená úroveň akustického výkonu: 112 dB (A).

Neurčitost KpA: 3 dB (A).

Při práci používejte prostředky ochrany sluchu.

Nominální vážené zrychlení (kvadratický průměr): 10,5 m/s<sup>2</sup>.

---

## GENEL ELEKTRİKLİ ALET GÜVENLİK UYARILARI

### ⚠ DİKKAT

Tüm güvenlik uyarılarını ve tüm talimatları okuyun.

Uyarılara ve talimatlara uyulmaması elektrik çarpmasına, yangına ve/veya ciddi yaralanmaya neden olabilir.

Bu kılavuzu gelecekte başvurmak üzere saklayın.

Uyarılarda kullanılan "elektrikli alet" terimi, şebeke elektrliğiyle çalışan (kablolu) veya pille çalışan (kablesiz) elektrikli aletinizi belirtir.

#### 1) Çalışma alanının güvenliği

- Çalışma alanı temiz ve iyi aydınlatılmış olmalıdır.**  
Dağınık veya karanlık alanlar kazalara davetیه çıkarır.
- Elektrikli aletleri yanıcı sıvı, gaz veya toz patlayıcı maddelerin bulunduğu ortamlarda çalıştırmayın.**  
Elektrikli aletlerin çıkardığı kıvılcımlar toz veya gaz halindeki bu maddeleri ateşleyebilir.
- Bir elektrikli aletle çalışırken çocukları ve izleyicileri uzaklaştırın.**  
Dikkatinizin dağılması kontrolü kaybetmenize neden olabilir.

#### 2) Elektrik güvenliği

- Elektrikli aletin fişi elektrik prizine uygun olmalıdır.**  
Fişi herhangi bir şekilde değiştirmeyin.  
Topraklanmış elektrikli aletlerle herhangi bir adaptör kullanmayın.  
Fişlerde değişiklik yapılmaması ve uygun prizlerde kullanılması elektrik çarpması riskini azaltacaktır.
- Borular, radyatörler, fırınlar ve buzdolapları gibi topraklanmış yüzeylerle gövde temasından kaçının.**  
Vücudunuzun toprakla temasa geçmesi halinde elektrik çarpması riski artar.
- Elektrikli aletleri yağmura veya ıslak ortamlara maruz bırakmayın.**  
Elektrikli alete su girmesi elektrik çarpması riskini artıracaktır.
- Elektrik kablolarına zarar vermeyin.** Elektrikli aleti taşımak, çekmek veya fişini prizden çıkarmak için kabloyu kullanmayın.  
Kabloyu ısıdan, yağdan, keskin kenarlardan veya hareketli parçalardan uzak tutun.  
Hasar görmüş veya dolaşmış kablolar elektrik çarpması riskini artırır.
- Elektrikli aleti açık alanda kullanırken, açık alanda kullanıma uygun bir uzatma kablosu kullanın.**  
Açık alanda kullanıma uygun bir kablo kullanılması elektrik çarpması riskini azaltır.
- Eğer bir elektrikli aletin ıslak bir yerde kullanılması kaçınılmaz ise, artık akım cihazıyla (RCD) korunan bir güç kaynağı kullanın.**  
RCD kullanılması elektrik çarpması riskini azaltır.

#### 3) Kişisel emniyet

- Bir elektrikli alet kullanırken daima tetikte olun;** yaptığınız işi izleyin ve sağduyulu davranın.  
Aleti yorgunken, alkol veya ilaç etkisi altında kullanmayın.  
Elektrikli aletleri kullanırken göstereceğiniz bir anlık dikkatsizlik ciddi yaralanmaya sonuçlanabilir.
- Kişisel koruyucu donanım kullanın.** Daima koruyucu gözlük takın.

Uygun koşullar için kullanılan toz maskesi, kaymaz emniyet ayakkabıları, kask veya kulak koruyucu gibi koruyucu ekipmanlar yararlanmaları azaltacaktır.

- Aletin istenmeden çalışmasını engelleyin.** Aleti güç kaynağına ve/veya akü ünitesine bağlamadan, kaldırmadan veya taşımadan önce, güç düğmesinin kapalı konumda olduğundan emin olun.  
Elektrikli aletleri parmağınız güç düğmesinin üzerinde olarak taşımamanız veya güç düğmesi açılmış durumda fişini takmanız kazalara davetیه çıkarır.
- Aletin gücünü açmadan önce alet üzerindeki ayar veya somun anahtarlarını çıkarın.**  
Aletin dönen parçalarından birine bağlı kalan bir somun anahtarı veya ayar anahtarı yaralanmaya yol açabilir.
- Çok fazla yaklaşmayın.** Uygun bir adım mesafesi bırakın ve sürekli olarak dengenizi koruyun.  
Böylece, beklenmedik durumlarda aleti daha iyi kontrol etmeniz mümkün olur.
- Uygun şekilde giyinin.** Bol elbiseler giymeyin ve takı eşyaları takmayın. Saçlarınızı, elbiseleri ve eldivenlerinizi hareketli parçalardan uzak tutun.  
Bol elbiseler, takılar veya uzun saçlar hareketli parçalarla takılabilir.
- Eğer toz çekme ve toplama bağlantıları için gerekli aygıtlar sağlanmışsa, bunların bağlı olduğundan ve doğru şekilde kullanıldığından emin olun.**  
Toz toplama kullanımı, tozla ilişkili tehlikeleri azaltabilir.
- Elektrikli aletin kullanımı ve bakımı**
  - Elektrikli aleti zorlamayın.** Yapacağınız iş için doğru alet kullanın.  
Doğru alet, işinizi daha iyi ve tasarlanmamış olduğu hız değerinde daha güvenli şekilde yapacaktır.
  - Elektrikli alet güç düğmesinden açılıp kapanmıyorsa, aleti kullanmayın.**  
Güç düğmesiyle kontrol edilemeyen bir alet tehlikelidir ve tamir edilmeden kullanılmamalıdır.
  - Herhangi bir ayar yapmadan, aksesuarları değiştirmeden veya aleti saklamadan önce fişi güç kaynağından ve/veya akü ünitesinden sökün.**  
Bu koruyucu güvenlik önlemleri, elektrikli aletin kazayla çalışma riskini azaltır.
  - Atıl durumdaki elektrikli aletleri çocukların ulaşamayacağı bir yerde saklayın ve elektrikli alet ve bu kullanım talimatları hakkında bilgi sahibi olmayan kişilerin aleti kullanmasına izin vermeyin.**  
Elektrikli aletler eğitimsiz kullanıcıların elinde tehlikelidir.
  - Elektrikli aletin bakımını yapın.** Hareketli parçalarda yanlış hizalanma veya sıkışma olup olmadığını, kırık parça olup olmadığını ve elektrikli aletin çalışmasını etkileyebilecek diğer koşulları kontrol edin.  
Eğer hasar varsa, kullanmadan önce aleti tamir ettirin.  
Kazaların çoğu elektrikli aletlere kötü bakım işlemleri uygulanmasından kaynaklanmaktadır.
  - Aletleri keskin ve temiz tutun.**  
Uygun şekilde bakımı yapılan, keskin kenarlara sahip aletlerin sıkışma ihtimali daha azdır ve kontrol edilmesi daha kolaydır.

- g) Elektrikli aleti, aksesuarları, uçları, v.b., bu talimatlara uygun şekilde, çalışma koşullarını ve yapılacak işi göz önünde bulundurarak kullanın. Elektrikli aletin amaçlanan kullanımlardan farklı işlemler için kullanılması tehlikeli bir duruma yol açabilir.

#### 5) Servis

- a) Elektrikli aletinizin servisini sadece orijinal yedek parçalar kullanmak suretiyle uzman bir tamirciye yaptırın. Böylece, elektrikli aletin güvenli kullanımı sağlanacaktır.

#### ÖNLEM

Çocukları ve zayıf kişileri uzak tutun.

Alet, kullanılmadığı zamanlarda çocukların ve zayıf kişilerin ulaşamayacağı bir yerde saklanmalıdır.

#### ÖZELLİKLER

Model	DV13SS	DV13VSS	DV16SS	DV16VSS
Voltaj (alanlara göre)*	(110V, 220V, 230V, 240V) ~			
Güç girişi*	550 W		600 W	
Ters çevrilebilir	Yoktur	Evet	Yoktur	Evet
Yüksüz hız	2900 dak <sup>-1</sup>	0-2900 dak <sup>-1</sup>	2900 dak <sup>-1</sup>	0-2900 dak <sup>-1</sup>
Mandren kapasitesi	13 mm			
Kapasite	Çelik	13 mm		
	Beton	13 mm	16 mm	
	Tahta	20 mm	25 mm	
Tam yüklü darbe oranı	29000 dak <sup>-1</sup>			
Ağırlık (kablolu)	1,4 kg		1,5 kg	

\*Bölgelere göre değişiklik gösterdiğinden ürün üzerindeki etiketi kontrol edin.

#### STANDART AKSESUARLAR

Model	Mandrel özelliği	Standart aksesuarlar
DV13SS	Anahtarı	Mandren anahtarı ..... 1
DV13VSS	Anahtarı	Mandren anahtarı ..... 1
	Anahtarsız	Çanta ..... 1
		Derinlik ölçme aleti ..... 1
Yan kol ..... 1		
DV16SS	Anahtarı	Mandren anahtarı ..... 1
DV16VSS	Anahtarı	Derinlik ölçme aleti ..... 1
		Yan kol ..... 1
		Çanta ..... 1
	Anahtarsız	Derinlik ölçme aleti ..... 1
		Yan kol ..... 1

Standart aksesuarlarda haber verilmeksizin değişiklik yapılabilir.

#### İŞTEĞE BAĞLI AKSESUARLAR (ayrı satılır)

- Darbeli Matkap Ucu (beton için)  
3,2 mm – 20 mm çap.

#### DARBELİ MATKABI KULLANIRKEN ALINACAK ÖNLEMLER

- Darbeli matkaplarla kulak koruyucu kullanın.**  
Gürültüye maruz kalma işitme kaybına yol açabilir.
- Aletle gelen yardımcı kolları kullanın.**  
Aletin kontrolden çıkması yaralanmalara sebep olabilir.
- Duvarlar, tavanlar ya da zeminler üzerinde delme işi yapmadan önce deldiğiniz yerin arkasında elektrik kablosu olmadığından emin olun.**
- Betonu veya benzeri sert malzemeleri DARBE modunda delerken, dönüş değiştirme kolunu kolu R-işaretine getirin. (Şekil 9)**

İşteğe bağlı aksesuarlarda haber verilmeksizin değişiklik yapılabilir.

#### UYGULAMALAR

- DEVR ve DARBE hareketi birlikte:  
Sert malzemelerde delik açma (beton, mermer, granit, karolar gibi)
- DEVR hareketi ile:  
Metal, tahta ve plastik malzemelerde delik açma.

#### İŞLEM DEN ÖNCE

- Güç kaynağı**  
Kullanılacak güç kaynağının ürün etiketinde belirtilen güç şartlarına uygun olduğundan emin olun.
- Güç anahtarı**  
Güç anahtarının KAPALI konumunda olduğundan emin olun. Güç anahtarı AÇIK konumundayken fiş prize takıldığında takım hemen çalışmaya başlar ve ciddi kazalara neden olabilir.
- Uzatma kablosu**  
Çalışma alanı güç kaynağından uzak olduğunda yeterli kalınlık ve kapasitede bir uzatma kablosu kullanın. Uzatma kablosu mümkün olduğunca kısa tutulmalıdır.

#### 4. Uygun matkap ucunu seçme

- Beton ya da taş delerken  
İsteğe Bağlı Aksesuarlar kısmında belirtilen matkap uçlarını kullanın.
- Metal ya da plastik delerken  
Metal leri için kullanılan normal matkap ucu kullanın.
- Tahta delerken  
Tahta işleri için kullanılan normal matkap ucu kullanın.  
Ancak, 6,5 mm ya da bundan daha küçük çapta delikler delerken metal işleri için kullanılan bir matkap ucu kullanın.

#### 5. Matkap ucunun takılması ve sökülmesi

##### **Mandren anahtarlı matkap mandreni için** (Şekil. 1)

- (1) Mandren azn açın ve matkap ucunu mandrenin içine yerleştirin.
- (2) Mandren anahtarını mandrendeki deliğin her birine yerletin ve saat yönünde çevirin (önden görünüm). İyice sıkın.
- (3) Matkap ucunu sökmek için mandren anahtarını mandrendeki deliklerden birine takın ve saatin ters yönünde çevirin.

##### **Anahtarsız mandren için** (Şekil. 2)

- (1) Mandren ağızlarını açın ve ucu mandrene yerleştirin. Mandren ağızlarını açmak için segmanı saatin ters yönünde (önden bakıldığında) çevirirken halkayı tutun.
- (2) Halkayı sıkıca kavrayın ve segmanı saat yönünde çevirin. İyice sıkıştırın.
- (3) Ucu çıkarmak için halkayı sıkıca kavrayın ve segmanı saatin ters yönünde çevirin.
- (4) Manşon daha fazla gevşemediğinde yan kolu, tutucu halkaya sabitleyin, kolu sıkıca tutun ve elle gevşetmek için manşonu çevirin (Şekil. 3).

##### **6. Dönme yönünün kontrol edilmesi** (Şekil. 4) (Yalnızca DV13VSS, DV16VSS)

Matkap ucu, dönmüşü değiştirme kolunun R-ışaretine çevrilmesi ile (arka taraftan bakıldığında) saat yönünde döner.

Dönüşlü değiştirme kolu ucun saat yönü tersine döndürülmesi için L-ışaretine getirilir.

(L) ve (R) işaretleri matkap gövdesinde yer alır.)

##### **DİKKAT**

Darbeli matkabı darbeli delme işlerinde her zaman saat yönünde devirle kullanın.

#### 7. Yan kolu takma (Şekil. 5)

Yan kolu montaj parçasına takın.

Kolu sıkamak için saat yönünde çevirin.

Yan kolu yapılacak işleme uygun bir konuma ayarlayın ve iyice sıkın.

Derinlik ölçme aletini yan kola takmak için aleti yan kolda bulunan U şeklindeki oluğa yerleştirin, istenen delik derinliğine göre aleti ayarlayın ve yan kolu iyice sıkın (Şekil. 6).

#### 8. DARBELİDEN DEVİRLİ çalışmaya geçiş (Şekil. 7)

Değiştirme kolunu sağ sol arasında kaydırarak DARBELİ (devirli ve darbeli) çalışmayla DEVİRLİ (yalnızca devirli) çalışma arasında kolayca geçiş yapabilirsiniz.

Beton, taş ve karo gibi sert malzemelerde delik açmak için değiştirme kolunu sağa kaydırın (T işareti ile belirtilen). Matkap ucu darbe ve dönme hareketini birlikte gerçekleştirir. Metal, tahta ve plastik gibi malzemelerde delik açmak için değiştirme kolunu sola kaydırın (İ işareti ile belirtilen). Matkap ucu elektrikli normal matkaplarda olduğu gibi yalnızca dönme hareketi yapar.

#### DİKKAT

- Delinecek malzeme yalnızca dönme hareketiyle delinebiliyorsa Darbeli Matkabı DARBELİ seçeneğinde kullanmayın. Bu, delme işlemini verimsiz kılmakla kalmayıp matkap ucunun zarar görmesine de neden olabilir.
- Darbeli Matkabı değiştirme kolu ortadayken çalıştırırsanız matkap zarar görebilir. Değiştirme yaparken kolu doğru konuma getirdiğinizden emin olun.

## KULLANIM

### 1. Düğmelerin kullanımı (Şekil. 8)

- Tetiğe basıldığında takım dönmeye başlar. Tetik bırakıldığında takımın dönmesi durur.
- Tetiğe ve derinlik mesnedine aynı anda bastığınızda açık konumu korunur. Sürekli çalışma için bu konum uygundur. Kapatırken tetiğe basmak suretiyle derinlik mesnedi çıkartılabilir.

< Yalnızca DV13VSS, DV16VSS >

- Matkabın dönme hızı tetiğe basma şiddetiyle kontrol edilebilir. Tetiğe hafif basıldığında hız düşük, sert basıldığında ise yüksek olur.

### 2. Matkap veya Darbeli Matkap olarak kullanımı

- (1) Matkaba uygulanacak yük kuvveti  
Matkaba gereğinde fazla kuvvetle yüklensiniz de, delikleri daha hızlı açamazsınız. Bu sadece matkap ucunun zarar görmesine ve de işlem verimliliğinin düşmesine neden olmakla kalmayıp, matkap ucunun kullanım ömrünü de azaltır.
- (2) Deliklerin içersine tamamen girmek gerekirse  
Malzemenin üzerinde açılacak deliğin içersine tamamen daldığı takdirde, matkap uçları kırılabilir. Bu yüzden, matkap ucunu deliğin içersine tam olarak daldırmadan hemen önce uyguladığınız yüklenme kuvvetini azaltmanız önemlidir.

#### DİKKAT

Kesintisiz işletim için, bir delik açma işini tamamladıktan sonra 5 saniye süresince yüksüz olarak işletin.

- (3) Kalın bir matkap ucu kullanıldığında  
Kalın bir matkap ucunun kullanıldığı durumlarda, kolunuz daha kuvvetli bir geri tepme gücü ile karşı karşıyadır. Bu geri tepme kuvveti karşısında kolunuzu oynatmamaya özen gösterin.  
Bunu da yapabilmek için, ayaklarınızı yere sağlam basıp, aleti iki elinizle sıkıca delik açılacak yüzeye dikey pozisyonda tutmanız gerekir.

## BAKIM VE GÖZDEN GEÇİRME

### 1. Matkap uçlarının gözden geçirilmesi

Aşınmış matkap uçlarının kullanılması motorun zarar görmesine ve verimin azalmasına neden olacaktır. Matkap uçlarını yenileriyle değiştirin ya da aşınmayı fark ettiğinizde gecikmeden uçları keskinleştirin.

### 2. Montaj vidalarının gözden geçirilmesi

Tüm montaj vidalarını düzenli olarak kontrol edin ve gerekli sıklıkta olduklarından emin olun. Vidalardan herhangi biri gevşek ise hemen sıkın. Bunu yapmadığınız takdirde ciddi hasarlar meydana gelebilir.

### 3. Motorun bakımı

Dönme hareketini sağlayan motor, takımın "bel kemiğidir". Motorun hasar görmesini ve/veya yağ ya da su ile ıslanmasını önlemek için gerekli bakımı yapın.



#### 4. Karbon fırçaların gözden geçirilmesi

Güvenli kullanım için ve elektrik şokuna karşı koruma sağlamak amacıyla bu takım üzerindeki karbon fırçaların gözden geçirilmesi ve değiştirilmesi YALNIZCA Hitachi yetkili Servis Merkezi tarafından yapılmalıdır.

#### 5. Servis parçaları listesi

- A : Parça no.
- B : Kod no.
- C : Kullanılan sayı
- D : Açıklamalar

#### DİKKAT

Hitachi Güç Takımlarının onarımı, modifikasyonu ve gözden geçirilmesi Hitachi yetkili Servis Merkezi tarafından yapılmalıdır.

Hitachi yetkili Servis Merkezine tamir ya da bakım amacıyla başvurulduğunda Parça Listesinin takım ile birlikte verilmesi faydalı olacaktır.

Güç takımlarının çalıştırılması ve bakımlarının yapılması esnasında her ülke için belirtilen güvenlik düzenlemelerine ve standartlarına uyulması gerekmektedir.

#### DEĞİŞİKLİKLER

Hitachi Ağır İş Aletleri en son teknolojik ilerlemelere uygun olarak sürekli değiştirilmekte ve geliştirilmektedir. Dolayısıyla ısıyla, bazı kısımlarda (örneğin kod numaraları ve/veya tasarım gibi) önceden bildirimde bulunulmadan değişiklik yapılabilir.

---

### GARANTİ

Hitachi Elektrikli El Aletlerine ülkelere özgü hukuki düzenlemeler çerçevesinde garanti vermekteyiz. Bu garanti, yanlış veya kötü kullanım, normal aşınma ve yıpranmadan kaynaklanan arıza ve hasarları kapsamamaktadır. Şikayet durumunda, Elektrikli El Aleti, sökülmemiş bir şekilde, bu kullanım kılavuzunun sonunda bulunan GARANTİ BELGESİYLE birlikte bir Hitachi yetkili servis merkezine gönderilmelidir.

---

### NOT

HITACHI'nin sürdürdüğü araştırma ve geliştirme programının bir parçası olarak burada belirtilen özellikler önceden haber verilmeksizin değiştirilebilir.

---



---

### Havadan yayılan gürültü ve titreşimle ilgili bilgiler

Ölçülen değerler EN50144'e göre belirlenmiştir.

Tipik A ağırlıklı ses basıncı düzeyi: 99 dB (A).

Tipik A ağırlıklı ses gücü düzeyi: 112 dB (A).

Belirsiz KpA: 3 dB (A).

Kulaklık kullanın.

Tipik ağırlıklı karekök ortalama hızlanma değeri: 10,5 m/s<sup>2</sup>.

---

## AVERTISMENTE GENERALE PRIVIND SIGURANȚA ÎN FOLOSIREA SCULEI ELECTRICE

### ⚠️ AVERTISMENT

Citiți toate avertismentele privind siguranța și toate instrucțiunile.

Nerespectarea avertismentelor și a instrucțiunilor poate avea ca efect producerea de șocuri electrice, incendii și/sau vătămări grave.

**Păstrați toate avertismentele și toate instrucțiunile, pentru a le putea consulta pe viitor.**

Termenul "sculă electrică" prezent în toate avertismentele de mai jos se referă la scula dumneavoastră electrică alimentată la priză (cu cablu de alimentare) sau la scula electrică alimentată de la acumulatori (fără cablu de alimentare).

#### 1) Siguranța în zona de lucru

- Păstrați zona de lucru curată și bine luminată.**  
Zonele de lucru dezordonate și întunecate predispun la accidente.
- Nu utilizați sculele electrice în atmosferă explozivă, cum ar fi în prezența lichidelor, gazelor sau a prafurilor inflamabile.**  
Sculele electrice produc scânteii care pot aprinde praful sau aburii.
- Țineți copiii sau privorii la distanță în timp ce utilizați scula electrică.**  
Distragerea atenției vă poate face să pierdeți controlul asupra sculei.

#### 2) Siguranța din punct de vedere electric

- Ștecărele sculelor electrice trebuie să se potrivească în prizele în care sunt introduse. Nu modificați niciodată ștecărul în nici un fel. Nu folosiți niciun fel de adaptoare pentru ștecăr la sculele electrice cu împământare (legate la pământ).**  
Ștecărele nemodificate și prizele potrivite reduc riscul de șoc electric.
- Evitați contactul corpului cu suprafețele legate la pământ, cum ar fi conductele, radiatoarele, cuptoarele și frigiderale.**  
În cazul în care corpul dvs. este legat la pământ există un risc crescut de electrocutare.
- Nu expuneți sculele electrice la ploaie și nu le lăsați în atmosferă umedă.**  
Intrarea apei într-o sculă electrică mărește riscul de electrocutare.
- Nu forțați cablul de alimentare. Nu folosiți niciodată cablul de alimentare pentru a transporta, a trage sau a scoate scula electrică din priză. Țineți cablul de alimentare departe de căldură, ulei, muchii ascuțite și de piese în mișcare. Cablurile de alimentare deteriorate sau încolăcite măresc riscul de șoc electric.**
- Atunci când folosiți o sculă electrică în aer liber, folosiți un prelungitor adecvat pentru utilizarea în exterior.**  
Folosirea unui prelungitor adecvat pentru exterior reduce riscul de șoc electric.
- Dacă utilizarea într-o zonă umedă nu poate fi evitată, folosiți o sursă de alimentare cu întrerupător de protecție la curent rezidual (RCD). Folosirea dispozitivelor RCD reduce riscul producerii șocurilor electrice.**

#### 3) Siguranța personală

- Atunci când folosiți o sculă electrică fiți vigilent, fiți atent la ceea ce faceți și acționați conform bunului simț.**  
Nu folosiți scule electrice atunci când sunteți obosit sau vă aflați sub influența drogurilor, a alcoolului sau a medicamentelor.  
Un moment de neatenție în timpul utilizării unei scule electrice poate provoca vătămări personale grave.
- Folosiți echipament personal de protecție. Purtați întotdeauna protecție a ochilor.**  
Echipamentele de protecție cum ar fi măștile pentru praf, încălțăminta anti-alunecare, căștile și protecțiile auditive, folosite în situațiile corespunzătoare, reduc vătămările personale.
- Evitați pornirea accidentală. Înainte de a conecta scula la priză și/sau la bateria de acumulatori și înainte de a ridica sau transporta scula, asigurați-vă că aveți comutatorul de pornire pe poziția oprit.**  
Transportarea sculelor electrice cu degetul pe comutator sau introducerea în priză a sculelor electrice care au comutatorul pe poziția pornit sunt situații ce predispun la accidente.
- Înainte de a pune scula electrică în funcțiune, îndepărtați toate cheile de reglare și orice alte chei.**  
O cheie sau o cheie de reglare rămase atașate de piesa rotativă a sculei electrice poate provoca vătămări personale.
- Nu încercați să ajungeți prea departe. Mențineți permanent un contact corect al piciorului și un bun echilibru.**  
Acest lucru permite un mai bun control al sculei electrice în situații neașteptate.
- Îmbrăcați-vă adecvat. Nu purtați haine largi și nici bijuterii. Țineți-vă părul, hainele și mânușile departe de piesele în mișcare.**  
Hainele largi, bijuteriile și pot fi prinse în piesele în mișcare.
- Dacă sunt prevăzute dispozitive de conectare la facilități de extragere și colectare a prafului, asigurați-vă că acestea sunt conectate și sunt folosite corespunzător.**  
Folosirea acestor dispozitive poate reduce pericolele legate de praf.

#### 4) Utilizarea și îngrijirea sculei electrice

- Nu forțați scula electrică. Folosiți scula adecvată pentru aplicația dvs.**  
Scula potrivită va face treabă mai bună și mai sigură la parametrii la care a fost proiectată.
- Nu folosiți scula electrică în cazul în care comutatorul nu își îndeplinește funcția de pornire și oprire.**  
Sculele electrice care nu pot fi comandate prin intermediul comutatorului sunt periculoase și trebuie reparate.
- Înainte de a face orice fel de reglaje, de a schimba accesoriile și de a depozita sculele electrice, scoateți ștecărul din priză și/sau de la bateria de acumulatori.**  
Aceste măsuri preventive de siguranță reduc riscul pornirii accidentale a sculei electrice.

- d) **Depozitați sculele electrice neutilizate departe de zona de acțiune a copiilor și nu lăsați persoanele care nu sunt familiarizate cu scula electrică sau cu prezentele instrucțiuni să folosească scula electrică.**

*Sculele electrice sunt periculoase în mâinile utilizatorilor neinstruiți.*

- e) **Întrețineți sculele electrice. Verificați alinierea și prinderea pieselor în mișcare, ruperea pieselor precum și toate celelalte aspecte care ar putea să influențeze funcționarea sculelor electrice.**

**Dacă scula electrică este deteriorată, înainte de a o utiliza duceți-o la reparat.**

*Multe accidente sunt provocate de scule electrice necorespunzător întreținute.*

- f) **Păstrați elementele de tăiere curate și ascuțite.**  
*Elementele de tăiere bine întreținute și cu muchiile tăietoare bine ascuțite sunt mai ușor de controlat și este mai puțin probabil să se agațe.*

- g) **Folosiți scula electrică, accesoriile și vârfurile etc. în conformitate cu prezentele instrucțiuni, luând în considerare condițiile de lucru și operațiunile ce urmează a fi efectuate.**

*Folosirea sculei electrice pentru alte operațiuni decât cele prevăzute poate avea ca efect apariția unor situații periculoase.*

## 5) Service

- a) **Scula electrică trebuie reparată de o persoană calificată, folosind numai piese de schimb identice.**  
*Astfel se asigură menținerea siguranței sculei electrice.*

## PRECAUȚIE

**Țineți copii și persoanele infirme la distanță.**

**Atunci când nu este folosită, scula electrică trebuie depozitată departe de zona de acțiune a copiilor și a persoanelor infirme.**

## MĂSURI DE PRECAUȚIE LA UTILIZAREA MAȘINII DE GĂURIT CU PERCUȚIE

- Purtați protecție pentru urechi la folosirea bormașinei.**  
Expunerea la zgomot poate cauza pierderea auzului.
- Utilizați mânerul auxiliar furnizat cu unealta.**  
Pierderea controlului poate cauza răni.
- Înainte de a găuri ziduri, tavane sau podele, asigurați-vă că nu există cabluri ascunse.
- La efectuarea de găuri în ciment sau materiale dure similare în regim IMPACT, rotiți schimbătorul de nivel rotativ la poziția R. (Fig. 9)

## SPECIFICAȚII

Model	DV13SS	DV13VSS	DV16SS	DV16VSS
Tensiune de alimentare (pe zone)*	(110V, 220V, 230V, 240V) ~			
Putere instalată*	550 W		600 W	
Reversibil	Nu	Da	Nu	Da
Viteză fără sarcină	2900 min <sup>-1</sup>	0–2900 min <sup>-1</sup>	2900 min <sup>-1</sup>	0–2900 min <sup>-1</sup>
Capacitatea bormașinei	13 mm			
Capacitate	Oțel	13 mm		
	Ciment	13 mm	16 mm	
	Lemn	20 mm	25 mm	
Rata de impact la sarcină totală	29000 min <sup>-1</sup>			
Greutate (fără curea)	1,4 kg		1,5 kg	

\* Verificați plăcuța cu specificații a produsului, deoarece acesta poate diferi de la o zonă la alta.

## ACCESORII STANDARD

Model	Specificații burghiu	Accesorii standard
DV13SS	Codate	Cheie eliberare ..... 1
DV13VSS	Codate	Cheie eliberare ..... 1
	Fără cod	Carcasă ..... 1
		Etalon adâncime ..... 1
Mâner lateral ..... 1		
DV16SS	Codate	Cheie eliberare ..... 1
		Etalon adâncime ..... 1
		Mâner lateral ..... 1
DV16VSS	Codate	Cheie eliberare ..... 1
		Etalon adâncime ..... 1
		Mâner lateral ..... 1
	Fără cod	Carcasă ..... 1
		Etalon adâncime ..... 1
Mâner lateral ..... 1		

Accesorii standard pot fi schimbate fără notificare prealabilă.

## ACCESORII OPȚIONALE (SE VÂND SEPARAT)

- Sfredel bormașină (pentru ciment)  
3,2 mm – 20 mm dia.  
Accesorii opționale pot fi modificate fără anunțare.

## APLICAȚII

- Prin acțiuni combinate de ROTAȚIE și IMPACT:  
Executarea de găuri în material dur (ciment, marmură, granit, țiglă, etc.)
- Prin acțiune de ROTAȚIE:  
Executarea de găuri în metal, lemn și plastic.

## ÎNAINTE DE UTILIZARE

### 1. Sursa de alimentare cu energie electrică

Asigurați-vă de faptul că sursa de alimentare cu energie electrică ce urmează a fi folosită este conformă cu cerințele indicate pe plăcuța indicatoare a produsului.

### 2. Comutatorul pentru punere în funcțiune

Asigurați-vă că ați poziționat comutatorul în poziția OFF (OPRIT). Dacă ștecherul este conectat la priză iar comutatorul este în poziția ON (PORNIT), mașina va începe să funcționeze imediat, putându-se produce vătămări grave.

### 3. Cablul prelungitor

Atunci când zona de lucru este departe de sursa de alimentare, folosiți un cablu prelungitor de o grosime suficientă și cu parametri corespunzători. Cablul prelungitor trebuie să fie cât mai scurt posibil.

### 4. Selectarea burghiului potrivit

- La găurirea cimentului sau pietrei  
A se folosi burghiile menționate în Accesoriile Opționale.
- La găurirea de metal sau plastic  
Folosiți burghie obișnuite.
- La găurirea de lemn  
Folosiți burghie obișnuite pentru lemn.  
Totuși, la găurirea găurilor de 6,5 mm sau mai mici, folosiți un burghiu pentru metal.

### 5. Montarea și demontarea elementului

#### Pentru Burghiu cu cheie (Fig. 1)

- (1) Deschideți fălcile de prindere și introduceți elementul.
- (2) Plasați cheia în fiecare dintre cele trei găuri și rotiți în sensul acelor ceasornicului (așa cum se arată în partea frontală). Strângeți pentru siguranță.
- (3) Pentru a înălțarea elementul, plasați cheia în una dintre găuri și rotiți-o contra acelor ceasornicului.

#### Pentru cheile fără cod (Fig. 2)

- (1) Deschideți fălcile cheii și introduceți elementul.  
Pentru a deschide fălcile, țineți inelul în timp ce rotiți manșonul contra acelor ceasornicului (așa cum e demonstrat din partea frontală).
- (2) Prindeți ferm inelul și rotiți manșonul în direcția acelor ceasornicului. Strângeți.
- (3) Pentru a îndepărta elementul, apucați ferm inelul și rotiți manșonul contra acelor de ceasornic.
- (4) În cazul în care manșonul nu se mai eliberează, fixați partea manevrabilă de inelul de reținere, țineți ferm partea manevrabilă, apoi rotiți manșonul pentru a elibera manual (Fig. 3).

### 6. Verificăți direcția de rotire (Fig. 4) (Doar DV13VSS, DV16VSS)

Elementele se rotesc în direcția acelor de ceasornic (așa cum se arată din lateral) prin rotirea pîrghiei de rotire la semnul R.  
Pîrghia de rotire este întoarsă la semnul L pentru a întoarce elementul contra acelor ceasornicului.  
(Semnele (L) și (R) se găsesc pe corp.)

#### ATENȚIE

Întotdeauna folosiți burghiu cu rotire în sensul acelor ceasornicului, atunci cînd îl folosiți în calitate de burghiu de impact.

### 7. Fixarea mînerului lateral (Fig. 5)

Atașați mînerul lateral la elementul de montare.  
Rotiți elementul de prindere al mînerului lateral într-o direcție a acelor de ceasornic pentru a-l securiza.

Setați mînerul lateral într-o poziție care să corespundă operațiunii, după care strîngeți elementul de prindere al mînerului lateral.

Pentru a atașa un etalon de adîncime pe mînerul lateral, introduceți etalonul în canelura în formă de U de pe mînerul lateral, ajustați poziția etalonului de adîncime în conformitate cu adîncimea dorită a găurii, după care strîngeți ferm elementul de prindere al mînerului lateral (Fig. 6).

### 8. IMPACTUL la ROTATIA de transformare (Fig. 7)

Mutați pîrghia de schimbare între poziția de dreapta și de stînga pentru a modifica între IMPACT (rotație și impact) și respectiv ROTAȚIE (doar rotație).

Pentru a efectua găuri în materiale dure ca cimentul, piatra și țigla, schimbați pîrghia de schimb în poziția de dreapta (așa cum e arătat de semnul T).

Burghiul acționează prin efortul concertat al acțiunilor de impact și rotire.

La efectuarea găurilor în metal, lemn și plastic se acționează pîrghia în poziția de stînga (așa cum e arătat de semnul S). Burghiul acționează doar prin acțiune de rotație, ca în cazul unui burghiu electric convențional.

#### ATENȚIE

- Nu folosiți Burghiul de Impact în poziția IMPACT dacă materialul poate fi găurit doar prin rotație. O astfel de acțiune nu numai va reduce eficiența burghiului, dar va și risca să-l avarieze.
- Lucrînd cu Burghiul de Impact cu ajutorul pîrghiei de schimbare în poziția de mijloc poate cauza avariarea acestuia. La conectare, asigurați-vă că ați mutat pîrghia de schimbare în poziția corectă.

## INSTRUCȚIUNI DE UTILIZARE

### 1. Operațiunea de conectare (Fig. 8)

- Atunci cînd trîgaciul este lăsat în jos, scula se rotește. Atunci cînd butonul e eliberat, scula se oprește.
- Dacă trageți trîgaciul și acționați pedicia, se păstrează regimul de conectare, pentru situațiile cînd e necesară funcționarea continuă. La deconectare, pedicia poate fi dezactivată prin tragerea repetată a trîgaciului.

< Doar DV13VSS, DV16VSS >

- Viteza de rotire a bormașinei poate fi controlată prin varierea momentelor în care trîgaciul e conectat. Atunci cînd trîgaciul e tras lent, viteza e mică și se mărește pe măsură ce trîgaciul e tras tot mai mult.

### 2. Folosirea unui Burghiu sau a unui Burghiu de Impact

#### (1) Folosirea forței

Nu veți efectua găuri mai rapid dacă veți apăsa pe bormașină cu o forță mai mare decît e necesar. Acest fapt nu va afecta doar vîrfurile sfredelului și eficiența operațiunii, dar va și scădea durata de viață a bormașinei.

#### (2) La penetrarea găurilor

Burghiile se pot strica la penetrarea materialul de găurit. Este important să reduceți din forța de apăsare imediat înainte de penetrare.

#### ATENȚIE

În timpul unei operațiuni continue, efectuați o operațiune în gol timp de cinci secunde, după ce ați terminat o operațiune de găurire.

#### (3) În cazul folosirii unui sfredel gros

Brațul Dumneavoastră va fi supus unei forțe de reacție mai mare la folosirea unui sfredel gros. Fiți atent să nu fiți mișcat de forța de reacție. În acest sens, asigurați-vă că stați bine pe picioare, că țineți instrumentul ferm cu ambele mîini, perpendicular pe materialul de găurit.

---

## MENTENANȚĂ ȘI INSPECȚIE

---

### 1. Inspecția bormașinelor

Din moment ce folosirea unor burghie uzate va cauza proasta funcționare și reducerea eficienței, înlocuiți burghiile uzate cu altele noi sau ascuțiți-le fără întârziere la observarea tocirii.

### 2. Verificarea șuruburilor de montare

Verificați regulat toate șuruburile de montare și asigurați-vă că acestea sunt strânse corespunzător. Dacă vreunul din șuruburi este slăbit, strângeți-l imediat. Nerespectarea acestei indicații poate duce la pericole grave.

### 3. Întreținerea motorului

Bobinajul motorului este inima motorului.

Fiți foarte atenți să nu deteriorați bobinajul și să nu îl expuneți la ulei sau la apă.

### 4. Inspectarea periilor de carbon

Pentru siguranța Dumneavoastră permanentă și protecția contra șocurilor electrice inspecția periilor de carbon și înlocuirea lor pe aceste instrumente va fi realizată NUMAI de un CENTRU AUTORIZAT HITACHI.

### 5. Lista pieselor de schimb pentru reparații

A: Articol nr.

B: Cod nr.

C: Nr. de piese utilizate

D: Observații

## PRECAUȚIE

Reparațiile, modificările și verificarea sculelor electrice Hitachi se vor efectua numai la o unitate service autorizată de Hitachi.

În mod particular, întreținerea dispozitivului laser va fi efectuată de un agent autorizat de către producătorul dispozitivului laser.

Repararea dispozitivului laser va fi efectuată întotdeauna de către o unitate service autorizată de Hitachi.

Această listă de piese va fi de ajutor dacă va fi prezentată împreună cu mașina la unitatea service autorizată de Hitachi atunci când solicitați efectuarea de reparații sau de operațiuni de întreținere.

Pe durata folosirii și a operațiunilor de întreținere a mașinii trebuie respectate reglementările și standardele naționale privind securitatea.

## MODIFICĂRI

Sculele electrice Hitachi sunt în mod constant îmbunătățite și modificate, pentru a îngloba cele mai noi cuceriri tehnologice.

De aceea, anumite piese (numărul de cod și/sau aspectul acestora) pot fi modificate fără notificare prealabilă.

---

## NOTĂ

Ca urmare a programului continuu de cercetare și dezvoltare derulat de Hitachi, prezentele specificații pot fi modificate fără notificare prealabilă.

---



---

**Informații cu privire la zgomotul și vibrațiile aeropurtate**  
Valorile măsurate au fost determinate conform EN50144.

Nivelul tipic al presiunii zgomotului calculat A: 99 dB (A).

Nivelul tipic al puterii zgomotului calculat A: 112 dB (A).

Nivel sonor, KpA: 3 dB (A).

Purtați protecție pentru urechi.

Nivelul tipic al valorii de accelerare a rădăcinii calculat: 10,5 m/s<sup>2</sup>.

---



---

## GARANȚIE

---

Garantăm sculele electrice Hitachi în conformitate cu reglementările statutare/specifice țării. Această garanție nu acoperă defectele sau daunele provocate de utilizarea necorespunzătoare, abuz sau de uzura și deteriorarea normale. În cazul în care aveți reclamații, vă rugăm să trimiteți scula electrică nedemontată, împreună cu CERTIFICATUL DE GARANȚIE care se găsește la finalul prezentelor Instrucțiuni de utilizare, la o unitate service autorizată de Hitachi.

## SPLOŠNA VARNOSTNA NAVODILA ZA ELEKTRIČNO ORODJE

### ⚠ OPOZORILO

Preberite vas varnostna opozorila in navodila.

Z neupoštevanjem opozoril in navodil tvegate električni udar, požar in/ali resne telesne poškodbe.

Vsa opozorila in navodila shranite.

Izraz "električno orodje" v opozorilih se nanaša na električno orodje, ki se napaja z omrežno energijo (s priključno vrstico), ali električno orodje, ki se napaja z energijo iz akumulatorskih baterij (brez priključne vrvice).

### 1) Varnost na delovnem mestu

- a) **Delovno mesto mora biti čisto in dobro osvetljeno.**  
*V razmetanih in temačnih območjih je verjetnost nesreč večja.*
- b) **Električnega orodja ni dovoljeno uporabljati v eksplozivnih okoljih, na primer v bližini vnetljivih tekočin, plinov ali prahu.**  
*Pri delu z električnim orodjem se iskri – iskre lahko vnamejo prah in hlape.*
- c) **Preprečite dostop otrokom in drugim v delovno območje vključenega električnega stroja.**  
*Zaradi motenja lahko izgubite nadzor.*

### 2) Električna varnost

- a) **Vtiči električnega orodja morajo ustrezati vtičnici. Vtiči ni dovoljeno kakor koli spreminjati. Za povezavo ozemljenega električnega orodja ni dovoljeno uporabiti vmesnih vtičev.**  
*Z nespremenjenimi vtiči in ustreznimi vtičnicami je tveganje električnega udara manjše.*
- b) **Preprečite stik z ozemljenimi površinami, kot so cevi, radiatorji, peči in hladilniki.**  
*Ko je telo delavca ozemljeno, je nevarnost električnega udara večja.*
- c) **Električnega orodja ni dovoljeno izpostavljati na dež ali v mokre pogoje.**  
*Z vdorom vode v električno orodje je nevarnost električnega udara velika.*
- d) **Ne zlorabljajte priključne vrvice. Priključne vrvice ni dovoljeno uporabljati za prenašanje, vlečenje in izklapljanje električnega orodja. Priključne vrvice ne izpostavljajte na vročino, olje, ostre robove in premične dele.**  
*Med uporabo poškodovanih in zamotanih priključnih vrvic je nevarnost električnega udara večja.*
- e) **Za uporabo električnega orodja na prostem priključite podaljšek, ki je izdelan za takšno uporabo.**  
*Z uporabo priključne vrvice, ki je izdelana za delo na prostem, je nevarnost električnega udara manjša.*
- f) **Če je delo z električnim orodjem v vlažnem okolju neizbežno, uporabite napajanje, ki je zaščiteno s stikalom za diferencialni tok (RCD).**  
*Zaščitno stikalo za diferencialni tok (RCD) zmanjša nevarnost električnega udara.*

### 3) Osebna varnost

- a) **Ostanite zbrani, pazite, kaj delate in delajte po pameti.**  
**Električnega orodja ni dovoljeno uporabljati, če ste utrujeni ali pod vplivom mamil, alkohola ali zdravil.**  
*Trenutek nepozornosti med delom z električnim orodjem je lahko vzrok za resne telesne poškodbe.*

- b) **Uporabljajte osebno zaščitno opremo. Za delo si obvezno nadenite zaščito za oči.**  
*Zaščitna oprema, kot so maska za prah, nezdrsní čevlji, čelada ali zaščita za ušesa, ustrezno uporabljena v danih pogojih, zmanjša nevarnost telesnih poškodb.*
  - c) **Preprečite neželen zagon. Preden stroj povežete na omrežni vir in/ali akumulatorski sklop, preden ga dvignete ali prenesete, stikalo obvezno prestavite v položaj izklopa (na "OFF").**  
*Pri prenosu električnega orodja s prstom na stikalo ali pri povezavi električnega orodja, ko je stikalo v položaju vklopa "ON", je tveganje nesreč večje.*
  - d) **Preden električno orodje vključite, odstranite vse nastavitvene ključe.**  
*Med delom z električnim orodjem, kjer je ključ pritrjen na vrtec del tega orodja, je velika nevarnost telesnih poškodb.*
  - e) **Ne presegajte. Ves čas trdno stojte in vzdržujte ravnotežje.**  
*Na ta način lahko bolje nadzorujete električno orodje v nepričakovanih situacijah.*
  - f) **Ustrezno se oblecite. Za delo si nadenite tesna oblačila in snemite nakit. Z lasmi, oblačili in rokavicami ne posegajte med premične dele.**  
*Ohlapna oblačila, nakit ali dolgi lasje se lahko ujamejo med premične dele.*
  - g) **Če so na voljo naprave za povezavo odpraševalnih delov in zbiralnikov, slednje povežite in pravilno uporabljajte.**  
*Funkcija zbiranja prahu zmanjša nevarnost v zvezi s prahom.*
- ### 4) Uporaba in vzdrževanje električnega orodja
- a) **Električnega orodja ne preobremenjujte. Za izbrano delo uporabite ustrezno električno orodje.**  
*Z ustreznim električnim orodjem boste delo opravili bolje in varneje.*
  - b) **Električnega orodja ni dovoljeno uporabiti, če s stikalom orodja ne morete vključiti in izključiti.**  
*Električno orodje, ki ga ni možno upravljati s stikalom, je nevarno in ga je treba popraviti.*
  - c) **Preden orodje predelate, spremenite priključke ali orodje shranite, iztaknite vtič iz omrežnega vira in/ali baterijski sklop z električnega orodja.**  
*S takšnimi preventivnimi varnostnimi ukrepi zmanjšate nevarnost neželenega zagona orodja.*
  - d) **Električno orodje shranite izven dosega otrok in ne dovolite upravljati orodja osebam, ki orodja ne poznajo in ki niso prebrale navodil.**  
*Električno orodje je nevarno v rokah neusposobljenih uporabnikov.*
  - e) **Električno orodje vzdržujte. Pregledujte, če je neporavnano, če premični deli zavirajo, če so deli polomljeni in druge pogoje, ki lahko vplivajo na delovanje električnega orodja. Poškodovano električno orodje je treba pred uporabo popraviti.**  
*Vzrok mnogih nesreč je slabo vzdrževano električno orodje.*
  - f) **Rezalno orodje mora biti ostro in čisto.**  
*Pravilno vzdrževano rezalno orodje z ostrimi rezilnimi robovi manj pogosto zavira in ga je lažje upravljati.*
  - g) **Električno orodje, priključke in sveđe ipd. uporabljajte v skladu s temi navodili, pri čemer upoštevajte pogoje dela in izbrane naloge.**  
*Z uporabo električnega orodja v druge namene nastopi nevarna situacija.*

## 5) Servis

- a) Električno orodje lahko servisira le usposobljen delavec, ki mora uporabljati enake nadomestne dele.

Na ta način se ohrani varnost električnega orodja.

**VARNOSTNI UKREP**

Preprečite dostop otrokom in nemočnim osebam.

Orodje, ki ga ne uporabljate, shranite izven dosega otrok in nemočnih oseb.

**VARNOSTNI UKREPI V ZVEZI Z UPORABO UDARNEGA VRTALNIKA**

- Med delom z udarnim vrtalnikom uporabljati ušesne ščitnike.**  
Izpostavljenost hrupu lahko povzroči izgubo sluha.
- Uporabljajte pomožne ročaje priložene orodju.**  
Izguba nadzora lahko povzroči telesno poškodbo.
- Preden začnete vrtati v stene, strope ali tla, pregledajte, da na in v obdelovalnih površinah ni skritih napajalnih kablov.
- Za UDARNO vrtnje v beton in podobno trde materiale nastavite preklonpi vzvod na oznako R. (SI. 9)

**SPECIFIKACIJE**

Model	DV13SS	DV13VSS	DV16SS	DV16VSS
Napetost (po območjih)*	(110V, 220V, 230V, 240V) ~			
Vhodna moč*	550 W		600 W	
Odpravljlivo	Nobeno	Da	Nobeno	Da
Hitrost brez obremenitve	2900 min <sup>-1</sup>	0-2900 min <sup>-1</sup>	2900 min <sup>-1</sup>	0-2900 min <sup>-1</sup>
Zmožnost vrtnalne vpenjalne glave	13 mm			
Kapaciteta	Jeklo	13 mm		
	Beton	13 mm	16 mm	
	Les	20 mm	25 mm	
Hitrost pri polni obremenitvi	29000 min <sup>-1</sup>			
Teža (brez kabla)	1,4 kg		1,5 kg	

\* Preverite imensko ploščo na izdelku, saj je vrednost odvisna od področja.

**STANDARDNI DODATKI**

Model	Specifikacije vrtalne vpenjalne glave	Standardni dodatki
DV13SS	S ključem	Ključ za vpenjalno glavo ... 1
	S ključem	Ključ za vpenjalno glavo ... 1
DV13VSS	Brez ključa	Ohišje ..... 1
		Merilnik globine ..... 1
		Stranska ročica ..... 1
DV16SS	S ključem	Ključ za vpenjalno glavo ... 1 Merilnik globine ..... 1 Stranska ročica ..... 1
DV16VSS	S ključem	Ključ za vpenjalno glavo ... 1
		Merilnik globine ..... 1
		Stranska ročica ..... 1
	Brez ključa	Ohišje ..... 1 Merilnik globine ..... 1 Stranska ročica ..... 1

Standardni pripomočki se lahko spremenijo brez vnaprejšnjega obvestila.

**OPCIJSKI DODATKI (PRODAJANI LOČENO)**

- Sveder za udarno vrtnje (za beton) premer 3,2-20 mm
- Dodatni priključki so predmet sprememb brez predhodnega obvestila.

**PODROČJA UPORABE**

- Vrtnje v kombiniranem načinu ROTACIJSKO VRTANJE/ UDARNO VRTANJE:  
Vrtnje lukenj v trde materiale (beton, marmor, granit, ploščice itd.)
- Vrtnje v načinu ROTACIJSKO VRTANJE:  
Vrtnje lukenj v kovino, les in umetne materiale.

**PRED UPORABO****1. Vir napetosti**

Zagotovite, da je vir napetosti, ki ga boste uporabili enak zahtevam vira napetosti, ki je določen na imenski plošči izdelka.

**2. Stikalo za napetost**

Prepričajte se, da je stikalo za napetost v položaju OFF (izključeno). Če je vtičnik priključen na vtičnico, ko je stikalo v položaju ON (vklopljeno), bo električno orodje takoj začelo delovati ter lahko povzroči resno nesrečo.

**3. Podaljševalni kabel**

Če je delovno območje oddaljeno od vira napetosti, uporabite podaljševalni kabel primerne debeline in kapacitivnosti. Podaljševalni kabel naj bo čim krajši.

**4. Izbrati ustrezen sveder**

- V beton ali kamen vrtajte s svedri, kot so določeni v poglavju Dodatni priključki.
  - V kovino ali plastične materiale vrtajte z običajnimi svedri za kovino.
  - V les vrtajte z običajnimi svedri za les.
- Pomni: luknje s premerom 6,5 mm ali manj vrtajte s svedrom za kovine.

## 5. Montirati in demontirati sveder

### Vpenjalna glava s ključem (Sl. 1):

- (1) Odprite vpenjalne čeljusti in namestite sveder v vpenjalno glavo.
- (2) Namestite ključ v vse tri luknje na vpenjalni glavi in ga zavrtite v smeri urnega kazalca (gledano od spredaj). Varno pritrdite.
- (3) Sveder demontirate tako, da namestite ključ vpenjalne glave v eno od lukenj na glavi in ga zavrtite v nasprotni smeri urnega kazalca.

### Vpenjalna glava brez ključa (Sl. 2):

- (1) Odprite vpenjalne čeljusti in namestite sveder v vpenjalno glavo.  
Čeljusti odprete tako, da primete in držite obroč, medtem ko vrtite obojko v nasprotni smeri urnega kazalca (gledano od spredaj).
  - (2) Trdno držite obroč in zavrtite obojko v smeri urnega kazalca.
  - (3) Sveder demontirate tako, da trdno držite obroč in zavrtite obojko v nasprotni smeri urnega kazalca.
  - (4) Če se obojka ne odvijte dovolj, pritrdite stransko ročko na zadrževalni obroč, jo trdno primete in zavrtite obojko z roko (Sl. 3).
- 6. Preveriti smer vrtenja (Sl. 4) (Le DV13VSS, DV16VSS)**  
Sveder se vrti v smeri urnega kazalca (gledano od spredaj), če preklonni vzvod nastavite na oznako R. Sveder se vrti v nasprotni smeri urnega kazalca, če preklonni vzvod nastavite nazaj na oznako L. (Oznaki (L) in (R) sta na osnovni enoti.)

#### POZOR

Vrtalnik udarno vrta tako, da se sveder vrteti v smeri urnega kazalca.

## 7. Pritrditi stransko ročko (Sl. 5)

Pritrdite stransko ročko na montažni del.  
Zavrtite ročaj stranske ročke v smeri urnega kazalca, tako da se privije.

Nastavite stransko ročko v položaj, ki ustreza izbrani operaciji, in privijte ročaj stranske ročke.  
Merilnik globine pritrdite na stransko ročko tako, da vstavite merilnik v utor (v obliki črke U) na stranski ročki, nastavite položaj merilnika na želeno globino luknje in trdno privijte ročaj stranske ročke (Sl. 6).

## 8. Preklop z načina UDARNO VRTANJE na ROTACIJSKO VRTANJE (Sl. 7)

Prestavite preklonni vzvod s položaja desno v položaj levo in obratno - enostaven preklop z načina UDARNO VRTANJE (rotacijsko in udarno vrtenje) na način ROTACIJSKO VRTANJE (le rotacija).

Za vrtenje lukenj v trde materiale, kot so beton, kamen in ploščice, prekopite vzvod v položaj desno (oznaka **T**). Sveder deluje kombinirano - udarno in rotacijsko vrtenje. Za vrtenje lukenj v kovino, les in umetne materiale prekopite vzvod v položaj levo (oznaka **L**). Sveder se samo vrti - enako kot običajni električni vrtalnik.

#### POZOR

- V material, ki ustreza pogojem za nekombinirano vrtenje, ni dovoljeno vrtati z vključeno funkcijo za udarno vrtenje. Neupoštevanje tega pravila - slabši rezultati vrtenja in nevarnost poškodb konice svedra.
- Z uporabo udarnega vrtalnika, na katerem je preklonni vzvod nastavljen na sredino giba, ustvarite nevarnost poškodb. Pri preklapljanju bodite pozorni in vzvod nastavite v pravilen položaj.

## NAVODILA ZA UPORABO

### 1. Stikalo (Sl. 8)

- Ko pritisnete na sprožilec, se orodje začne vrteti. Ko spustite sprožilec, se orodje zaustavi.
- Če povlečete za sprožilec in pritisnete na zaustavljalo, ostane orodje vključeno - uporabno med neprekinjenim obratovanjem. Ko orodje izključite, zaustavljalo odklopite tako, da ponovno povlečete za sprožilec.

< Le DV13VSS, DV16VSS >

- Hitrost vrtenja svedra regulirate z jakostjo vlečenja sprožilca. Hitrost je majhna, ko rahlo vlečete za sprožilec; hitrost se poveča, če sprožilec bolj povlečete.

### 2. Vrtalnik ali udarni vrtalnik

- (1) Pritisna sila vrtalnika  
Hitrost vrtenja lukenj ni odvisna od sile pritiska vrtalnika. Če pritiskate bolj kot je potrebno, lahko poškodujete konico svedra, zmanjšate učinek in skrajšate tehnično dobo svedra.
- (2) Če prodrete skozi material  
Svedri se lahko zlomijo, če z vrtenjem prodrete skozi obdelovanca. Tike preden prodrete skozi material, obvezno zmanjšajte silo pritiska.

#### POZOR

Med neprekinjenim obratovanjem in potem ko zaključite vrtenje, pustite orodje teči v prostem teku 5 sekund.

- (3) Debeli sveder

Med uporabo debelega svedra upoštevajte, da je roka izpostavljanja večji reakcijski sili. Pazite in se uprite tej sili, tako da vas ne premakne. Torej, stojte stabilno in trdno z obema rokama držite orodje pravokotno na obdelovanca.

## VZDRŽEVANJE IN SERVIS

### 1. Pregledati svedre

Z vrtenjem z uničenimi svedri lahko okvarite motor, tudi rezultati vrtenja v takšni situaciji niso zadovoljivi, zato zamenjajte sveder oz. ga nabrusite, takoj ko opazite površinsko obrabo.

### 2. Pregled montažnih vijakov

Redno preverjajte vse montažne vijake in se prepričajte, da so primerno zaviti. Če se katerikoli vijak odvijte, ga takoj zavijte. Če tega ne naredite lahko pride do resnih nesreč.

### 3. Vzdrževanje motorja

Navitje enote motorja je "srce" električnega orodja. Bodite zelo pazljivi, da navitja ne poškodujete in/ali zmocite z oljem ali vodo.

### 4. Pregledati grafitne krtačke

Za varnost in zaščito pred električnim udarom naročite servis in zamenjavo grafitnih krtačk na POOBLAŠČENEM SERVISU HITACHI.

### 5. Seznam servisnih delov

- A: Št. predmeta
- B: Št. šifre
- C: Št. uporabljenih
- D: Opombe

#### POZOR

Popravila, spremembe in pregled Hitachi električnega orodja mora izvajati pooblaščen servisni center Hitachi. Zlasti lasersko napravo mora vzdrževati pooblaščen agent proizvajalca laserja.  
Popravilo laserske naprave zmeraj določite pooblaščenemu servisnemu centru Hitachi.



Pri zahtevi za popravilo ali vzdrževanje bo v veliko pomoč, če pooblaščenemu servisnemu centru Hitachi skupaj z orodjem izročite tudi ta seznam delov.

Pri uporabi in vzdrževanju električnih orodjih je treba upoštevati varnostne uredbe in standarde, ki so določene za vsako državo.

#### **SPREMEMBE**

Hitach električna orodja se nenehno izboljšujejo in spreminjajo, da bi vključevala najnovejše tehnološke napredke.

Torej se lahko nekateri deli (tj. številka šifra in/ali zgradba), spremenijo brez vnaprejšnjega obvestila.

---

#### **GARANCIJA**

Garantiramo za Hitachi električna orodja v skladu z ustavno/državno veljavnimi uredbami. Garancija ne pokriva napak ali poškodb, ki nastanejo zaradi nepravilne uporabe, zlorabe ali normalne obrabe. V primeru pritožbe pošljite nerazstavljeno električno orodje skupaj z GARANCIJSKIM CERTIFIKATOM, ki ga najdete na koncu teh navodil za uporabo, na pooblaščen servisni center Hitachi.

---

#### **OPOMBA**

Zaradi HITACHIJEVEGA nenehnega programa raziskav in razvoja se specifikacije lahko spremenijo brez vnaprejšnjega obvestila.

---

---

#### **Informacije v zvezi s hrupom in vibracijo**

Izmerjene vrednosti, določene v skladu z EN50144.

Tipični A-vrednoteni nivo zvočnega tlaka: 99 dB (A).

Tipična A-vrednotena zvočna moč: 112 dB (A).

Spremenljivost KpA: 3 dB (A).

Uporabiti zaščitno za ušesa.

Tipična vrednotena efektivna vrednost pospeška: 10,5 m/s<sup>2</sup>.

---

---

## ОБЩИЕ ПРАВИЛА БЕЗОПАСНОСТИ ПРИ РАБОТЕ С ЭЛЕКТРОИНСТРУМЕНТОМ

### **⚠ ПРЕДУПРЕЖДЕНИЕ**

Прочтите все правила безопасности и инструкции. Не выполнение правил и инструкций может привести к поражению электрическим током, пожару и/или серьезной травме.

**Сохраняйте все правила и инструкции на будущее.** Термин "электроинструмент" в контексте всех мер предосторожности относится к эксплуатируемому Вами электроинструменту с питанием от сетевой розетки (с сетевым шнуром) или электроинструменту с питанием от аккумуляторной батареи (беспроводному).

### 1) Безопасность на рабочем месте

#### а) Поддерживайте чистоту и хорошее освещение на рабочем месте.

Беспорядок и плохое освещение приводят к несчастным случаям.

#### б) Не используйте электроинструменты во взрывоопасных окружающих условиях, например, в непосредственной близости огнеопасных жидкостей, горячих газов или легковоспламеняющейся пыли.

Электроинструменты порождают искры, которые могут воспламенить пыль или испарения.

#### в) Держите детей и наблюдающих на безопасном расстоянии во время эксплуатации электроинструмента.

Отвлечение внимания может стать для Вас причиной потери управления.

### 2) Электробезопасность

#### а) Сетевые вилки электроинструментов должны соответствовать сетевой розетке.

Никогда не модифицируйте штепсельную вилку никоим образом.

Не используйте никакие адаптерные переходники с заземленными (замкнутыми на землю) электроинструментами.

Немодифицированные штепсельные вилки и соответствующие им сетевые розетки уменьшают опасность поражения электрическим током.

#### б) Не прикасайтесь телом к заземленным поверхностям, например, к трубопроводам, радиаторам, кухонным плитам и холодильникам.

Если Ваше тело соприкоснется с заземленными поверхностями, возрастет опасность поражения электрическим током.

#### в) Не подвергайте электроинструменты действию воды или влаги.

При попадании воды в электроинструмент возрастет опасность поражения электрическим током.

#### д) Правильно обращайтесь со шнуром. Никогда не переносите электроинструмент, взявшись за шнур, не тяните за шнур и не дергайте за шнур с целью отсоединения электроинструмента от сетевой розетки.

Располагайте шнур подальше от источников тепла, нефтепродуктов, предметов с острыми кромками и движущихся деталей.

Поврежденные или запутанные шнуры увеличивают опасность поражения электрическим током.

#### е) При эксплуатации электроинструмента вне помещений, используйте удлинительный шнур, предназначенный для использования вне помещения.

Использование шнура, предназначенного для работы вне помещений, уменьшит опасность поражения электрическим током.

#### ф) При эксплуатации электроинструмента во влажной среде, используйте устройство защитного отключения (RCD) источника питания.

Использование RCD уменьшит опасность поражения электрическим током.

### 3) Личная безопасность

#### а) Будьте готовы к неожиданным ситуациям, внимательно следите за своими действиями и руководствуйтесь здравым смыслом при эксплуатации электроинструмента.

Не используйте электроинструмент, когда Вы устали или находитесь под влиянием наркотиков, алкоголя или лекарственных препаратов.

Мгновенная потеря внимания вовремя эксплуатации электроинструментов может привести к серьезной травме.

#### б) Используйте индивидуальные средства защиты. Всегда надевайте средства защиты глаз.

Защитное снаряжение, например, противопылевой респиратор, защитная обувь с нескользкой подошвой, защитный шлем-каска или средства защиты органов слуха, используемые для соответствующих условий, уменьшат травмы.

#### в) Избегайте непреднамеренного включения двигателя. Убедитесь в том, что выключатель находится в положении выключения перед подниманием, переноской или подсоединением к сетевой розетке и/или портативному источнику питания.

Переноска электроинструментов, когда Вы палец держите на выключателе, или подсоединение электроинструментов к сетевой розетке, когда выключатель будет находиться в положении включения, приводит к несчастным случаям.

#### д) Снимите все регулировочные или гаечные ключи перед включением электроинструмента.

Гаечный или регулировочный ключ, оставленный прикрепленным к вращающейся детали электроинструмента, может привести к получению травмы.

#### е) Не теряйте устойчивость. Все время имейте точку опоры и сохраняйте равновесие.

Это поможет лучше управлять электроинструментом в непредвиденных ситуациях.

#### ф) Одевайтесь надлежащим образом. Не надевайте просторную одежду или ювелирные изделия. Держите волосы, одежду и перчатки как можно дальше от движущихся частей.

*Просторная одежда, ювелирные изделия или длинные волосы могут попасть в движущиеся части.*

- g) Если предусмотрены устройства для присоединения приспособлений для отвода и сбора пыли, убедитесь в том, что они присоединены и используются надлежащим образом.

*Использование данных устройств может уменьшить опасности, связанные с пылью.*

#### 4) Эксплуатация и обслуживание электроинструментов

- a) Не перегружайте электроинструмент. Используйте надлежащий для Вашего применения электроинструмент.

*Надлежащий электроинструмент будет выполнять работу лучше и надежнее в том режиме работы, на который он рассчитан.*

- b) Не используйте электроинструмент с неисправным выключателем, если с его помощью нельзя будет включить и выключить инструмент.

*Каждый электроинструмент, которым нельзя управлять с помощью выключателя, будет представлять опасность, и его будет необходимо отремонтировать.*

- c) Отсоедините штепсельную вилку от источника питания и/или портативный батарейный источник питания от электроинструмента перед началом выполнения какой-либо из регулировок, перед сменой принадлежностей или хранением электроинструментов.

*Такие профилактические меры безопасности уменьшат опасность непреднамеренного включения двигателя электроинструмента.*

- d) Храните неиспользуемые электроинструменты в недоступном для детей месте, и не разрешайте людям, не знающим как обращаться с электроинструментом или не изучившим данное руководство, работать с электроинструментом.

*Электроинструменты представляют опасность в руках неподготовленных пользователей.*

- e) Содержите электроинструменты в исправности. Проверьте, нет ли несоосности или заедания движущихся частей, повреждения деталей или какого-либо другого обстоятельства, которое может повлиять на функционирование электроинструментов.

*При наличии повреждения отремонтируйте электроинструмент перед его эксплуатацией. Большое количество несчастных случаев связано с плохим обслуживанием электроинструментов.*

- f) Содержите режущие инструменты остро заточенными и чистыми.

*Надлежащим образом содержащиеся в исправности режущие инструменты с острыми режущими кромками будут меньше заедать и будут легче в управлении.*

- g) Используйте электроинструмент, принадлежности, насадки и т.п. в соответствии с данным руководством, принимая во внимание условия и объем выполняемой работы.

*Использование электроинструмента для выполнения работ не по прямому назначению может привести к опасной ситуации.*

#### 5) Обслуживание

- a) Обслуживание Вашего электроинструмента должно выполняться квалифицированным представителем ремонтной службы с использованием только идентичных запасных частей.

*Это обеспечит сохранность и безопасность электроинструмента.*

#### МЕРА ПРЕДОСТОРОЖНОСТИ

**Держите подальше от детей и немощных людей.**

**Если инструменты не используются, их следует хранить в недоступном для детей и немощных людей месте.**

---

#### МЕРЫ ПРЕДОСТОРОЖНОСТИ ПРИ ИСПОЛЬЗОВАНИИ УДАРНОЙ ДРЕЛИ

---

1. Одевайте наушники во время работы с ударной дрелью.  
*Воздействие шума может привести к потере слуха.*
2. Используйте ручки, прилагаемые к инструменту.  
*Потеря контроля над инструментом может привести к травме.*
3. Перед тем, как сверлить стены, потолки или полы, убедитесь в отсутствии скрытых в них электрических проводов.
4. При сверлении бетонных или подобных твердых материалов в режиме УДАРА, поверните рычаг изменения вращения к отметке. (Рис. 9)

## ХАРАКТЕРИСТИКИ

Модель	DV13SS	DV13VSS	DV16SS	DV16VSS
Напряжение (по регионам)*	(110V, 220V, 230V, 240V) ~			
Потребляемая мощность*	550 Вт		600 Вт	
Реверсивный	Нет	Да	Нет	Да
Скорость без нагрузки	2900 мин. <sup>-1</sup>	0–2900 мин. <sup>-1</sup>	2900 мин. <sup>-1</sup>	0–2900 мин. <sup>-1</sup>
Производительность зажимного патрона сверла	13 мм			
Мощность	Сталь	13 мм		
	Бетон	13 мм	16 мм	
	Дерево	20 мм	25 мм	
Скорость ударов при полной нагрузке	29000 мин. <sup>-1</sup>			
Масса (без шнура)	1,4 кг		1,5 кг	

\*Обязательно проверьте паспортную табличку на изделии, поскольку для разных регионов оно различно.

## СТАНДАРТНЫЕ ПРИНАДЛЕЖНОСТИ

Модель	Тех. характеристики зажимного патрона сверла	Стандартные принадлежности
DV13SS	С ключом	Ключ патрона ..... 1
DV13VSS	С ключом	Ключ патрона ..... 1
	Без ключа	Чемоданчик ..... 1
		Ограничитель глубины... 1 Боковая рукоятка ..... 1
DV16SS	С ключом	Ключ патрона ..... 1 Ограничитель глубины... 1 Боковая рукоятка ..... 1
DV16VSS	С ключом	Ключ патрона ..... 1 Ограничитель глубины... 1 Боковая рукоятка ..... 1
	Без ключа	Чемоданчик ..... 1 Ограничитель глубины... 1 Боковая рукоятка ..... 1

Стандартные принадлежности могут изменяться без уведомления.

## ДОПОЛНИТЕЛЬНЫЕ ПРИНАДЛЕЖНОСТИ (продаются отдельно)

- Ударное сверло (для бетона) диам. 3,2 мм – 20 мм

Дополнительные принадлежности могут изменяться без уведомления.

## ОБЛАСТЬ ПРИМЕНЕНИЯ

- При совместном использовании ВРАЩАТЕЛЬНОГО и УДАРНОГО действия:  
Сверление отверстий в твердых материалах (бетон, мрамор, гранит, кафель и т.п.)
- С использованием ВРАЩАТЕЛЬНОГО действия:  
Сверление отверстий в металлах, дереве и пластмассе.

## ПОДГОТОВКА К ЭКСПЛУАТАЦИИ

- 1. Источник электропитания**  
Проследите за тем, чтобы используемый источник электропитания соответствовал требованиям к источнику электропитания, указанному на паспортной табличке изделия.
- 2. Переключатель питания**  
Убедитесь в том, что переключатель питания находится в положении OFF (ВЫКЛ.). Если вставить штепсель в розетку, когда переключатель питания находится в положении ON (ВКЛ.), инструмент сразу начнет работать, что может стать причиной серьезной травмы.
- 3. Удлинитель**  
Когда рабочая область удалена от источника питания, пользуйтесь удлинителем достаточной площади поперечного сечения и номинальной нагрузки. Удлинитель должен быть как можно более коротким.
- 4. Выбор подходящего сверла**
  - При сверлении бетона или камня  
Используйте сверла, указанные в пункте Дополнительные принадлежности.
  - При сверлении металла или пластмассы  
Используйте обычное сверло для работ по металлу.
  - При сверлении дерева  
Используйте обычное сверло для работ по дереву. Однако при сверлении отверстий диаметром 6,5 мм или менее используйте сверло для работ по металлу.
- 5. Установка и снятие сверла**

### Для патрона дрели с ключом патрона (Рис. 1)

- (1) Раскройте губки патрона и вставьте сверло в патрон.
- (2) Вставьте ключ патрона в каждое из трех отверстий патрона и поверните его по часовой стрелке (если смотреть спереди). Туго затяните его.
- (3) Чтобы вынуть сверло, вставьте ключ патрона в каждое из трех отверстий патрона и поверните его против часовой стрелки.

### Для патрона без ключа (Рис. 2)

- (1) Откройте кулачки зажимного патрона и вставьте сверло в зажимной патрон.

Для того чтобы открыть кулачки зажимного патрона, удерживайте кольцо в то время, когда поворачиваете обод в направлении против часовой стрелки (если смотреть спереди).

- (2) Крепко держите кольцо и поверните обод в направлении по часовой стрелке. Надежно затяните.
- (3) Для снятия сверла, крепко держите кольцо и поверните обод в направлении против часовой стрелки.
- (4) Если муфта не будет разъединяться, прикрепите боковую рукоятку к фиксирующему кольцу, возьмитесь плотно за боковую рукоятку, затем поверните муфту рукой, чтобы разъединить ее (Рис. 3).

#### 6. Проверьте направление вращения (Рис. 4) (Только для DV13VSS, DV16VSS)

Сверло вращается по часовой стрелке (если смотреть сзади), когда рычаг изменения вращения повернут к отметке R.

Чтобы сверло вращалось против часовой стрелки, рычаг изменения вращения следует вернуть к отметке L.

(Знаки (L) и (R) нанесены на корпус.)

#### ОСТОРОЖНО

Используйте ударную дрель в ударном режиме, всегда применяйте вращение по часовой стрелке.

#### 7. Как закрепить боковую рукоятку (Рис. 5)

Присоедините боковую рукоятку к крепежной детали. Чтобы закрепить боковую рукоятку, вращайте зажим боковой рукоятки по часовой стрелке.

Установите боковую рукоятку, чтобы она была удобна в работе, а затем надежно затяните зажим боковой рукоятки.

Чтобы закрепить на боковой рукоятке ограничитель глубины, вставьте ограничитель глубины в П-образный паз боковой рукоятки, отрегулируйте положение ограничителя глубины в соответствии с необходимой глубиной отверстия и туго затяните зажим боковой рукоятки (Рис. 6).

#### 8. Переключение с УДАРА на ВРАЩЕНИЕ (Рис. 7)

Чтобы легко изменить режим работы на УДАР (удар и вращение) или на ВРАЩЕНИЕ (только вращение), переведите рычаг изменения соответственно вправо и влево.

Чтобы сверлить отверстия в твердых материалах, например бетоне, камне или кафеле, переведите рычаг изменения в правое положение (помеченное знаком **T**).

Ударное и вращательное действия сверла совмещаются.

Чтобы сверлить отверстия в металле, дереве и пластмассе, переведите рычаг изменения в левое положение (помеченное знаком **L**). Тогда сверло совершает только вращательное движение, как в случае с обычной электродрелью.

#### ОСТОРОЖНО

- Не используйте ударную дрель с функцией IMPACT (УДАР), если просверлить материал можно только в режиме вращения. Такое действие не только ухудшит качество сверла, но и может привести в негодность кончик сверла.
- Эксплуатация ударной дрели при среднем положении рычага изменения может привести к выходу ее из строя. При включении убедитесь, что Вы перевели рычаг изменения в правильное положение.

## КАК ПОЛЬЗОВАТЬСЯ

### 1. Работа переключателя (Рис. 8)

- При нажатой пусковой кнопке инструмент вращается. При отпущенной пусковой кнопке инструмент останавливается.
  - Нажав стопор при нажатой пусковой кнопке, можно зафиксировать включенное состояние, удобное при непрерывной работе. При выключении стопор можно отключить, повторно нажав пусковую кнопку.
- < Только для DV13VSS, DV16VSS >
- Скорость вращения сверла можно изменять мерой нажатия пусковой кнопки. При слабо нажатой пусковой кнопке скорость вращения низкая, а при более сильном нажатии пусковой кнопки скорость увеличивается.

### 2. При использовании дрели в качестве ударной дрели

- (1) Нажмите сильно на дрель  
Вы не сможете сверлить отверстия быстрее, даже если Вы нажмете на дрель сильнее, чем нужно. Это не только повредит наконечник сверла и уменьшит эффективность работы, но также сократит срок службы наконечника сверла.
  - (2) В случае бурения отверстий  
Наконечники сверл могут быть сломаны в случае проникания сверлильного материала. Важно уменьшить силу нажатия перед бурением отверстий.
- #### ОСТОРОЖНО
- В случае продолжительной работы выполните операцию без нагрузки в течение пяти секунд после завершения сверления.
- (3) При использовании толстого сверла  
Ваша рука подвержена большей силе реакции при использовании более толстого сверла. Будьте осторожны, чтобы сила реакции не сдвинула Вас с места. С этой целью примите устойчивое положение, плотно держите устройство обеими руками перпендикулярно материалу, который Вы сверлите.

## ОБСЛУЖИВАНИЕ И ПРОВЕРКА

### 1. Проверка сверла

Поскольку использование стертго сверла приводит к неисправности двигателя и снижению эффективности, при выявлении стирания немедленно замените или заточите сверло.

### 2. Проверка крепежных винтов

Регулярно проверяйте все крепежные винты и старайтесь, чтобы они были хорошо затянуты. При ослаблении какого-либо винта немедленно затяните его. Если этого не сделать, может возникнуть серьезная опасность.

### 3. Обслуживание двигателя

Обмотка блока двигателя – это самое "сердце" инструмента. Выполняйте необходимый уход, чтобы обмотка не повредилась, не намокла в воде или масле.

### 4. Проверка угольных щеток

Чтобы обеспечить Вашу безопасность и защитить от поражения электрическим током, осмотр и замену угольных щеток этого инструмента следует проводить ТОЛЬКО в авторизованном сервисном центре Hitachi.

## 5. Порядок записей по техобслуживанию

A: пункт №

B: код №

C: количество применений

D: замечания

### ОСТОРОЖНО

Ремонт, модификацию и осмотр механизированного инструмента фирмы Hitachi следует проводить в авторизованном сервисном центре Hitachi.

Этот перечень запасных частей пригодится при представлении его вместе с инструментом в авторизованный сервисный центр Hitachi с запросом на ремонт или прочее обслуживание.

При работе и обслуживании механизированных инструментов нужно соблюдать правила и стандарты безопасности, действующие в каждой данной стране.

### ЗАМЕЧАНИЕ

Фирма HITACHI непрерывно работает над усовершенствованием своих изделий, поэтому мы сохраняем за собой право на внесение изменений в технические характеристики, упомянутые в данной инструкции по эксплуатации, без предупреждения об этом.

---

## ГАРАНТИЯ

Мы гарантируем соответствие автоматических инструментов Hitachi нормативным/национальным положениям. Данная гарантия не распространяется на дефекты или ущерб, возникший вследствие неправильного использования или ненадлежащего обращения, а также нормального износа. В случае подачи жалобы отправляйте автоматический инструмент в неразобранном состоянии вместе с ГАРАНТИЙНЫМ СЕРТИФИКАТОМ, который находится в конце инструкции по обращению, в авторизованный центр обслуживания Hitachi.

---

### ПРИМЕЧАНИЕ

Поскольку фирма Hitachi постоянно ведет программу исследования и развития, приведенные здесь характеристики могут изменяться без предварительного уведомления.

---

---

### Информация, касающаяся создаваемого шума и вибрации

Измеряемые величины были определены в соответствии с EN50144.

Типичный средневзвешенный уровень звукового давления по шкале A: 99 дБ (A).

Типичный средневзвешенный уровень мощности звука по шкале A: 112 дБ (A).

Погрешность Кра: 3 дБ (A).

Надевайте наушники.

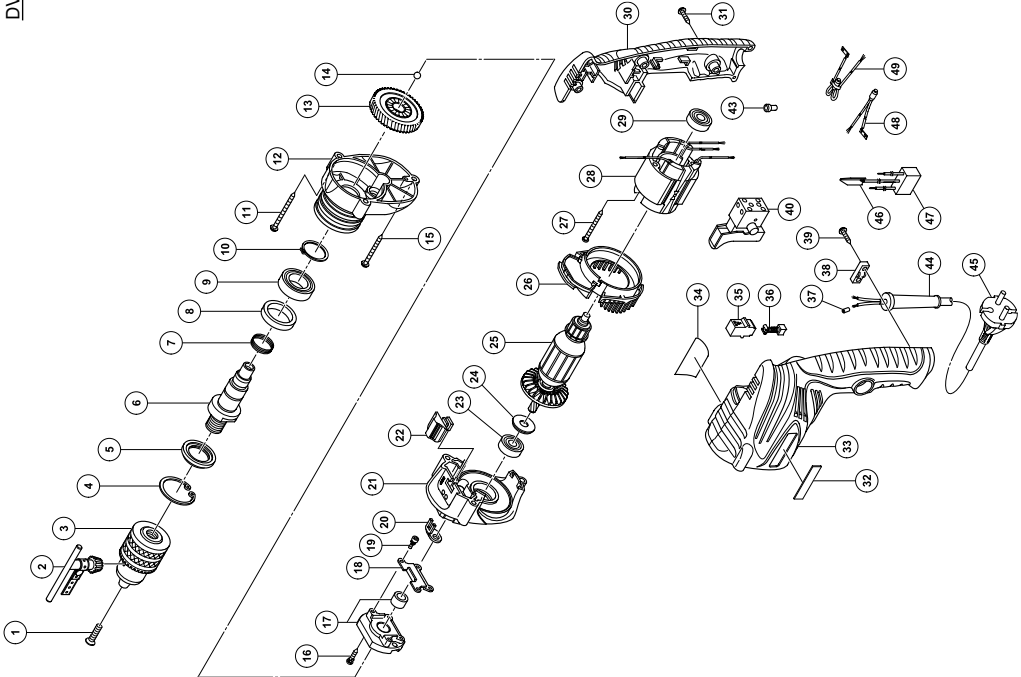
Типичное взвешенное среднеквадратическое ускорение значение: 10,5 м/с<sup>2</sup>

---

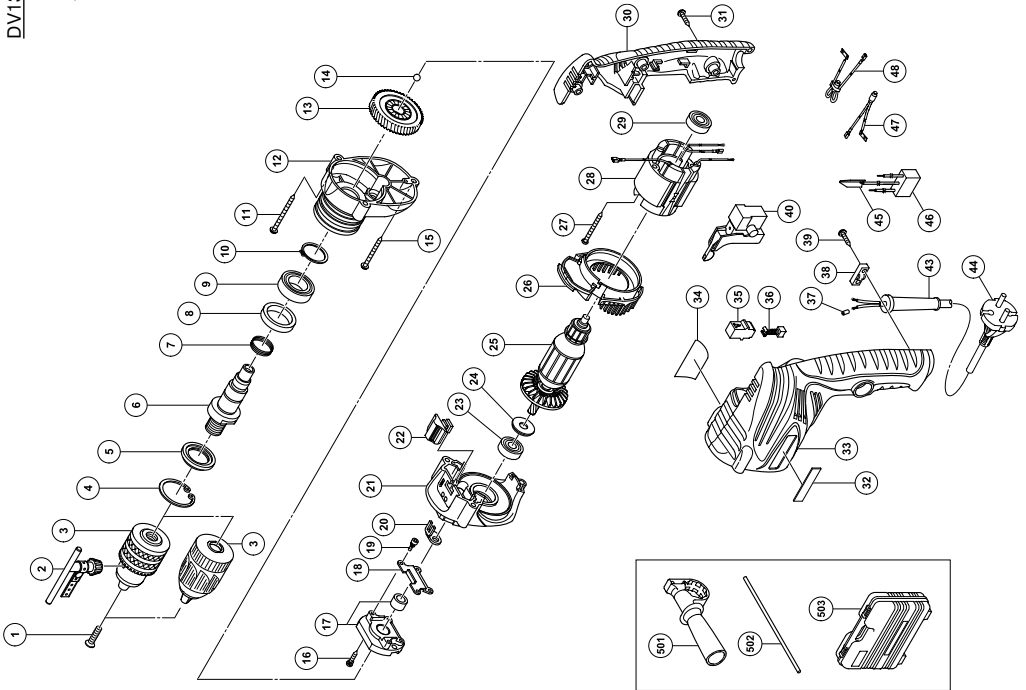
---

DVI3SS

	A	B	C	D	A	B	C	D
1	995-344	1	M6×25		37	981-373	2	
2	987-576	1			38	937-631	1	
3	948-001	1	13VLR-C-D		39	984-750	2	D4×16
4	948-001	1			40	330-727	1	
5	971-654	1			43	959-140	2	
6	322-513	1			44	938-051	1	D10.1
7	322-514	1			45	992-635	1	
8	330-682	1	6002VVCMP52L		46	994-273	1	
9	600-2VV	1			47	994-273	1	
10	939-544	1			48	330-723	1	
11	322-657	2	D4×60		49	330-722	1	
12	330-681	1						
13	330-683	1						
14	959-150	1	D6.35					
15	301-815	1	D4×45					
16	330-680	2	D4					
17	330-677	1						
18	330-678	1						
19	330-679	4	M3					
20	330-676	1						
21	330-675	1						
22	322-510	1						
23	608-DDM	1	608DC2PS2L					
24	330-674	1						
25-1	360-864C	1	110V					
25-2	360-864U	1	120V "23, 24, 29"					
25-3	360-864E	1	220V-230V					
25-4	360-864F	1	240V					
26	330-673	1						
27	991-031	2	D4×45					
28-1	340-745C	1	110V					
28-2	340-745D	1	120V					
28-3	340-745E	1	220V-230V					
28-4	340-745F	1	240V					
29	608-VVM	1	608VVC2PS2L					
30	330-721	1						
31	301-653	3	D4×20					
32	330-719	1						
33	330-720	1						
34	930-483	1						
35	930-483	2						
36	999-041	2						



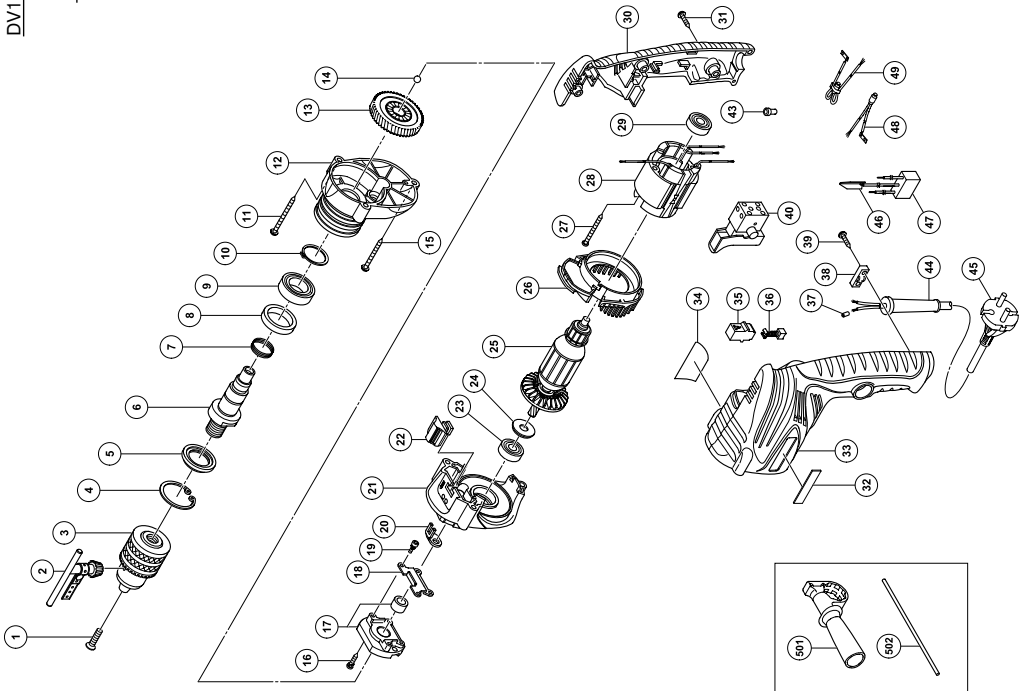
DV13VSS



A	B	C	D	A	B	C	D
1	995-344	1	M6x25	37	981-373	2	
2	987-576	1		38	937-631	1	
3-1	322-625	1	13VLR-C-D	39	984-750	2	D4x16
3-2	948-001	1	13VLRJ-N	40-1	330-716	1	
4	971-654	1		40-2	330-684	1	"GBR(110V)"
5	971-654	1		43	938-051	1	D10.1
6	322-513	1		44	992-635	1	
7	322-514	1		45	992-635	1	
8	330-682	1		46	994-273	1	
9	600-2VV	1	6002VVCMP52L	47	330-686	1	
10	939-544	1		48	330-685	1	
11	322-657	2	D4x60	501	303-659	1	
12	330-681	1		502	303-709	1	
13	330-683	1		503	330-702	1	
14	959-150	1	D6.35				
15	301-815	1	D4x45				
16	330-680	2	D4				
17	330-677	1					
18	330-678	1					
19	330-679	4	M3				
20	330-676	1					
21	330-675	1					
22	322-510	1					
23	608-DDM	1	608DDC2PS2L				
24	330-674	1					
25-1	360-864C	1	110V				
25-2	360-864U	1	120V "23, 24, 29"				
25-3	360-864E	1	220V-230V				
25-4	360-864F	1	240V				
26	330-673	1					
27	991-031	2	D4x45				
28-1	340-743C	1	110V				
28-2	340-743D	1	120V				
28-3	340-743E	1	220V-230V				
28-4	340-743F	1	240V				
29	608-VVM	1	608VVC2PS2L				
30	330-715	1					
31	301-653	3	D4x20				
32	330-719	1					
33	330-714	1					
34	930-483	2					
35	930-483	2					
36	999-041	2					

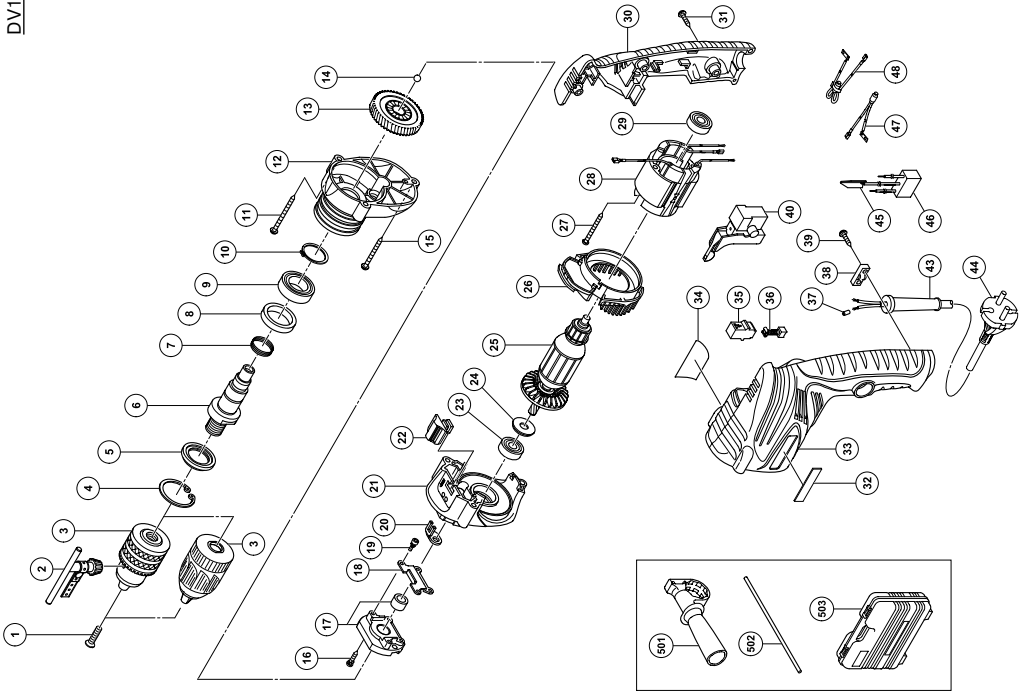


DVI16SS



A	B	C	D	A	B	C	D
1	995-344	1	M6×25	37	981-373	2	
2	987-576	1		38	937-631	1	
3	948-001	1	13VLR-C-D	39	984-750	2	D4×16
4	971-654	1		40	330-727	1	
5	322-513	1		43	959-140	2	
6	322-514	1		44	938-051	1	D10.1
7	330-682	1		45		1	
8	600-2VV	1	6002VVCMP2SL	46	992-635	1	
9	939-544	1		47	994-273	1	
10	322-657	2	D4×60	48	330-723	1	
11	330-726	1		49	330-722	1	
12	330-683	1		501	303-659	1	
13	959-150	1	D6.35	502	303-709	1	
14	301-815	1	D4×45				
15	330-680	2	D4				
16	330-677	1					
17	330-678	1					
18	330-679	4	M3				
19	330-676	1					
20	330-675	1					
21	330-675	1					
22	322-510	1					
23	608-DDM	1	608DDC2PS2L				
24	330-674	1					
25-1	360-863C	1	110V				
25-2	360-863U	1	120V "23, 24, 29"				
25-3	360-863E	1	220V-230V				
25-4	360-863F	1	240V				
26	330-673	1					
27	950-515	2	D4×50				
28-1	340-744C	1	110V				
28-2	340-744D	1	120V				
28-3	340-744E	1	220V-230V				
28-4	340-744F	1	240V				
29	608-VVM	1	608VVC2PS2L				
30	330-721	1					
31	301-653	3	D4×20				
32	330-719	1					
33	330-720	1					
34		1					
35	930-483	2					
36	999-041	2					

DV16/VSS



A	B	C	D	A	B	C	D
1	995-344	1	M6x25	37	981-373	2	
2	987-576	1		38	937-631	1	
3-1	322-625	1	13VLR-C-D	39	984-750	2	D4x16
3-2	948-001	1	13VLR-J-N	40-1	330-716	1	
4	971-654	1		40-2	330-684	1	"GBR (110V)"
5	322-513	1		43	938-051	1	D10.1
6	322-514	1		44		1	
7	322-514	1		45	992-635	1	
8	330-682	1		46	994-273	1	
9	600-2VV	1	6002VVCMP2SL	47	330-686	1	
10	939-544	1		48	330-685	1	
11	322-657	2	D4x60	501	303-659	1	
12	330-726	1		502	303-709	1	
13	330-683	1		503	330-702	1	
14	959-150	1	D6.35				
15	301-815	1	D4x45				
16	330-680	2	D4				
17	330-677	1					
18	330-678	1					
19	330-679	4	M3				
20	330-676	1					
21	330-675	1					
22	322-510	1					
23	608-DDM	1	608DC2PS2L				
24	330-674	1					
25-1	360-863C	1	110V				
25-2	360-863U	1	120V "23, 24, 29"				
25-3	360-863E	1	220V-230V				
25-4	360-863F	1	240V				
26	330-673	1					
27	950-515	2	D4x50				
28-1	340-742C	1	110V				
28-2	340-742D	1	120V				
28-3	340-742E	1	220V-230V				
28-4	340-742F	1	240V				
29	608-VVM	1	608VVC2PS2L				
30	330-715	1					
31	301-653	3	D4x20				
32	330-719	1					
33	330-714	1					
34		1					
35	930-483	2					
36	999-041	2					

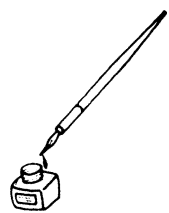
<p>English</p> <p align="center"><b><u>GUARANTEE CERTIFICATE</u></b></p> <ol style="list-style-type: none"> <li>① Model No.</li> <li>② Serial No.</li> <li>③ Date of Purchase</li> <li>④ Customer Name and Address</li> <li>⑤ Dealer Name and Address (Please stamp dealer name and address)</li> </ol>	<p>Čeština</p> <p align="center"><b><u>ZÁRUČNÍ LIST</u></b></p> <ol style="list-style-type: none"> <li>① Model č.</li> <li>② Série č.</li> <li>③ Datum nákupu</li> <li>④ Jméno a adresa zákazníka</li> <li>⑤ Jméno a adresa prodejce (Prosíme o razítko se jménem a adresou prodejce)</li> </ol>
<p>Deutsch</p> <p align="center"><b><u>GARANTIESCHEIN</u></b></p> <ol style="list-style-type: none"> <li>① Modell-Nr.</li> <li>② Serien-Nr.</li> <li>③ Kaufdatum</li> <li>④ Name und Anschrift des Kunden</li> <li>⑤ Name und Anschrift des Händlers (Bitte mit Namen und Anschrift des Handlers abstempeln)</li> </ol>	<p>Türkçe</p> <p align="center"><b><u>GARANTİ SERTİFİKASI</u></b></p> <ol style="list-style-type: none"> <li>① Model No.</li> <li>② Seri No.</li> <li>③ Satın Alma Tarihi</li> <li>④ Müşteri Adı ve Adresi</li> <li>⑤ Bayi Adı ve Adresi (Lütfen bayi adını ve adresini kaşe olarak basın)</li> </ol>
<p>Ελληνικά</p> <p align="center"><b><u>ΠΙΣΤΟΠΟΙΗΤΙΚΟ ΕΓΓΥΗΣΗΣ</u></b></p> <ol style="list-style-type: none"> <li>① Αρ. Μοντέλου</li> <li>② Αύξων Αρ.</li> <li>③ Ημερομηνία αγοράς</li> <li>④ Όνομα και διεύθυνση πελάτη</li> <li>⑤ Όνομα και διεύθυνση μεταπωλητή (Παρακαλούμε να χρησιμοποιηθεί σφραγίδα)</li> </ol>	<p>Română</p> <p align="center"><b><u>CERTIFICAT DE GARANȚIE</u></b></p> <ol style="list-style-type: none"> <li>① Model nr.</li> <li>② Nr. de serie</li> <li>③ Data cumpărării</li> <li>④ Numele și adresa clientului</li> <li>⑤ Numele și adresa distribuitorului (Vă rugăm aplicați ștampila cu numele și adresa distribuitorului)</li> </ol>
<p>Polski</p> <p align="center"><b><u>GWARANCJA</u></b></p> <ol style="list-style-type: none"> <li>① Model</li> <li>② Numer seryjny</li> <li>③ Data zakupu</li> <li>④ Nazwa klienta i adres</li> <li>⑤ Nazwa dealera i adres (Pieczęć punktu sprzedaży)</li> </ol>	<p>Slovenščina</p> <p align="center"><b><u>GARANCIJSKO POTRDILO</u></b></p> <ol style="list-style-type: none"> <li>① Št. modela</li> <li>② Serijska št.</li> <li>③ Datum nakupa</li> <li>④ Ime in naslov kupca</li> <li>⑤ Ime in naslov prodajalca (Prosimo vtisnite žig z imenom in naslovom prodajalca)</li> </ol>
<p>Magyar</p> <p align="center"><b><u>GARANCIA BIZONYLAT</u></b></p> <ol style="list-style-type: none"> <li>① Típuszám</li> <li>② Sorozatszám</li> <li>③ A vásárlás dátuma</li> <li>④ A Vásárló neve és címe</li> <li>⑤ A Kereskedő neve és címe (Kérjük ide elhelyezni a Kereskedő nevének és címének pecsétjét)</li> </ol>	<p>Русский</p> <p align="center"><b><u>ГАРАНТИЙНЫЙ СЕРТИФИКАТ</u></b></p> <ol style="list-style-type: none"> <li>① Модель №</li> <li>② Серийный №</li> <li>③ Дата покупки</li> <li>④ Название и адрес заказчика</li> <li>⑤ Название и адрес дилера (Пожалуйста, внесите название и адрес дилера)</li> </ol>

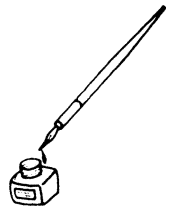


# HITACHI

①	
②	
③	
④	
⑤	







## **Hitachi Power Tools Österreich GmbH**

Str. 7, Objekt 58/A6, Industriezentrum NÖ –Süd 2355  
Wiener Neudorf, Austria  
Tel: +43 2236 64673/5  
Fax: +43 2236 63373

## **Hitachi Power Tools Hungary Kft.**

1106 Bogancsvirag U.5-7, Budapest, Hungary  
Tel: +36 1 2643433  
Fax: +36 1 2643429  
URL: <http://www.hitachi-powertools.hu>

## **Hitachi Power Tools Polska Sp.z o.o.**

ul. Kleszczowa27  
02-485 Warszawa, Poland  
Tel: +48 22 863 33 78  
Fax: +48 22 863 33 82  
URL: <http://www.hitachi-elektronarzedzia.pl>

## **Hitachi Power Tools Czech s.r.o.**

Videnska 102,619 00 Brno, Czech  
Tel: +420 547 426 598  
Fax: +420 547 426 599  
URL: <http://www.hitachi-powertools.cz>

## **Hitachi Power Tools Netherlands B.V. Moscow Branch**

Kashirskoye Shosse Dom 65, 4F  
115583 Moscow, Russia  
Tel: +7 495 727 4460 or 4462  
Fax: +7 495 727 4461  
URL: <http://www.hitachi-pt.ru>

## **Hitachi Power Tools Romania**

Str Sf. Gheorghe nr 20-Ferma, Pantelimon, Jud. Lifov  
Tel: +031 805 25 77  
Fax: +031 805 27 19

<p>English</p> <p><b>EC DECLARATION OF CONFORMITY</b></p> <p>We declare under our sole responsibility that this product is in conformity with standards or standardized documents EN60745, EN55014 and EN61000 in accordance with Council Directives 2004/108/EC and 98/37/EC.</p> <p>This declaration is applicable to the product affixed CE marking.</p>	<p>Čeština</p> <p><b>PROHLÁŠENÍ O SHODĚ S CE</b></p> <p>Prohlašujeme na svoji zodpovědnost, že tento výrobek odpovídá normám EN60745, EN55014 a EN61000 v souladu se směrnicemi 2004/108/EC a 98/37/EC.</p> <p>Toto prohlášení platí pro výrobek označený značkou CE.</p>
<p>Deutsch</p> <p><b>ERKLÄRUNG ZUR KONFORMITÄT MIT CE-REGELN</b></p> <p>Wir erklären mit alleiniger Verantwortung, daß dieses Produkt den Standards oder standardisierten Dokumenten EN60745, EN55014 und EN61000 in Übereinstimmung mit den Direktiven des Europarats 2004/108/CE und 98/37/CE entspricht.</p> <p>Diese Erklärung gilt für Produkte, die die CE-Markierung tragen.</p>	<p>Türkçe</p> <p><b>AB UYGUNLUK BEYANI</b></p> <p>Bu ürünün, 2004/108/EC ve 98/37/EC sayılı Konsey Direktiflerine uygun olarak, EN60745, EN55014 ve EN61000 sayılı standartlara ve standartlaştırılmış belgelere uygun olduğunu, tamamen kendi sorumluluğumuz altında beyan ederiz.</p> <p>Bu beyan, üzerinde CE işareti bulunan ürünler için geçerlidir.</p>
<p>Ελληνικά</p> <p><b>ΕΚ ΔΗΛΩΣΗ ΕΝΑΡΜΟΝΙΣΜΟΥ</b></p> <p>Δηλώνουμε με απόλυτη υπευθυνότητα ότι αυτό το προϊόν είναι εναρμονισμένο με τα πρότυπα ή τα έγγραφα προτύπων EN60745, EN55014 και EN61000 σε συμφωνία με τις Οδηγίες του Συμβουλίου 2004/108/ΕΚ και 98/37/ΕΚ.</p> <p>Αυτή η δήλωση ισχύει στο προϊόν με το σημάδι CE.</p>	<p>Română</p> <p><b>DECLARAȚIE DE CONFORMITATE CE</b></p> <p>Declarăm pe propria răspundere că acest produs este conform cu standardele sau documentele de standardizare EN60745, EN55014 și EN61000 și cu Directivele Consiliului 2004/108/CE și 98/37/CE.</p> <p>Prezenta declarație se referă la produsul pe care este aplicat semnul CE.</p>
<p>Polski</p> <p><b>DEKLARACJA ZGODNOŚCI Z EC</b></p> <p>Oznajmiamy z całkowitą odpowiedzialnością, że produkt ten pozostaje w zgodzie ze standardami lub standardową formą dokumentów EN60745, EN55014 i EN61000 w zgodzie z Zasadami Rady 2004/108/ EC i 98/37/EC.</p> <p>To oświadczenie odnosi się do załączonego produktu z oznaczeniami CE.</p>	<p>Slovenščina</p> <p><b>EC DEKLARACIJA O SKLADNOSTI</b></p> <p>Po lastni odgovornosti objavljamo, da je izdelek v skladu s standardi ali standardiziranimi dokumenti EN60745, EN55014 in EN61000 v skladu z direktivami Sveta 2004/108/EC in 98/37/EC.</p> <p>Deklaracija je označena na izdelku s pritrjeno CE označbo.</p>
<p>Magyar</p> <p><b>EU MEGFELELŐSÉGI NYILATKOZAT</b></p> <p>Teljes felelősségünk tudatában kijelentjük, hogy ez a termék megfelel az EN60745, EN55014, és EN 61000 szabványoknak illetve szabványosított dokumentumoknak, az Európa Tanács 2004/108/EC, és 98/37/EC Tanácsi Direktíváiával összhangban.</p> <p>Jelen nyilatkozat a terméken feltüntetett CE jelzésre vonatkozik.</p>	<p>Русский</p> <p><b>ДЕКЛАРАЦИЯ СООТВЕТСТВИЯ ЕС</b></p> <p>Мы с полной ответственностью заявляем, что данное изделие соответствует стандартам или стандартизованным документам EN60745, EN55014 и EN61000 согласно Директивам Совета 2004/108/EC и 98/37/EC.</p> <p>Данная декларация относится к изделиям, на которых имеется маркировка CE.</p>
<p>Representative office in Europe  <b>Hitachi Power Tools Europe GmbH</b>  Siemensring 34, 47877 Willich 1, F. R. Germany</p> <p>Head office in Japan  <b>Hitachi Koki Co., Ltd.</b>  Shinagawa Intercity Tower A, 15-1, Konan 2-chome,  Minato-ku, Tokyo, Japan</p> <p style="text-align: center;"><b>CE</b></p> <p style="text-align: right;">30. 9. 2008</p> <p style="text-align: right;"><i>K. Kato</i></p> <p style="text-align: right;">K. Kato Board Director</p>	