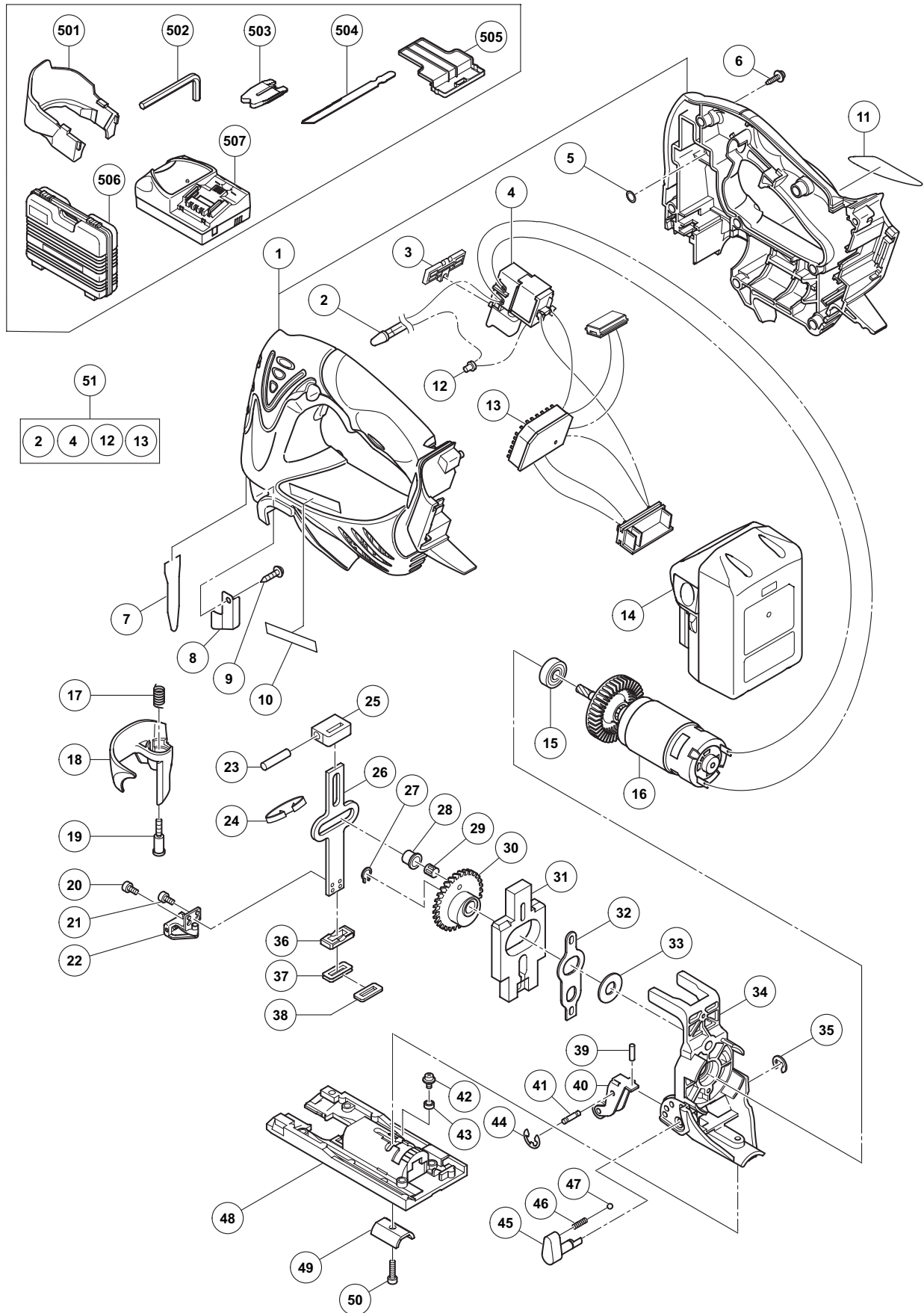


ELECTRIC TOOL PARTS LIST

CORDLESS JIG SAW Model CJ 18DSL

2008·7·9
(E1)



PARTS

CJ 18DSL

ITEM NO.	CODE NO.	DESCRIPTION	NO. USED	REMARKS
1	330-071	HOUSING (A). (B) SET	1	
2	328-336	LED	1	
3	319-760	PUSHING BUTTON	1	
4	328-335	DC-SPEED CONTROL SWITCH	1	
5	984-528	O-RING (P-6)	4	
6	301-653	TAPPING SCREW (W/FLANGE) D4X20 (BLACK)	8	
7	328-349	GUARD BAR	1	
8	321-592	FENCE	1	
9	984-327	TAPPING SCREW (W/SP. WASHER) D3X8	1	
10		HITACHI LABEL	1	
11		NAME PLATE	1	
12	959-140	CONNECTOR 50091 (10 PCS.)	1	
13	330-070	CONTROLLER TERMINAL SET	1	
* 14	330-068	BATTERY BSL 1830 (EUROPE, AUS, NZL)	2	INCLUD. 505
* 14	330-067	BATTERY BSL 1830 (USA, CAN)	1	INCLUD. 505
15	608-VVM	BALL BEARING 608VVC2PS2L	1	
* 16	328-361	MOTOR DC 18V	1	
* 16	328-739	MOTOR DC 18V	1	FOR USA, CAN
17	321-580	LEVER SPRING	1	
18	328-347	LEVER	1	
19	328-348	LEVER BOLT	1	
20	325-241	SEAL LOCK HEX. SOCKET HD. BOLT M3X8	1	
21	325-077	SEAL LOCK HEX. SOCKET HD. BOLT M3X6	1	
22	325-076	BLADE HOLDER	1	
23	983-564	PIN D6	1	
24	325-071	PLATE SPRING	1	
25	325-070	PLUNGER HOLDER (A)	1	
26	328-343	PLUNGER	1	
27	994-251	RETAINING RING FOR D7 SHAFT	1	
28	328-342	CONNECTING PIECE	1	
29	325-242	NEEDLE BEARING	1	
30	328-341	GEAR	1	
31	328-340	BALANCE WEIGHT	1	
32	328-339	ORBITAL CAM	1	
33	957-540	WASHER (A)	1	
34	328-328	GEAR HOLDER	1	
35	673-489	RETAINING RING (E-TYPE) FOR D5 SHAFT	1	
36	328-344	PLUNGER HOLDER (B)	1	
37	328-346	PACKING COVER	1	
38	328-345	PACKING	1	
39	328-329	NEEDLE ROLLER	1	
40	328-330	ROLLER HOLDER	1	
41	328-331	PIN	1	
42	315-500	MACHINE SCREW (W/WASHER) M4X8 (BLACK)	1	
43	321-576	RUBBER BUSHING	1	
44	872-971	RETAINING RING (E-TYPE) FOR D3 SHAFT	2	
45	328-332	CHANGE KNOB	1	
46	982-454	SPRING (C)	1	
47	959-155	STEEL BALL D3.97 (10 PCS.)	1	
48	321-573	BASE	1	

