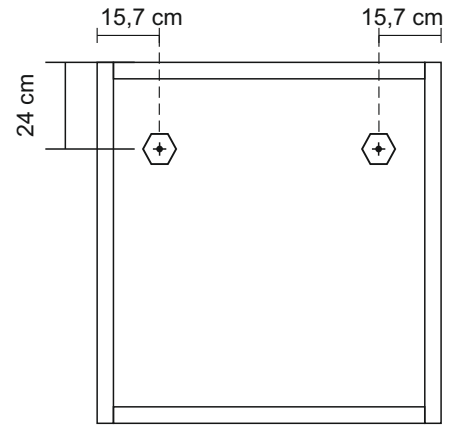
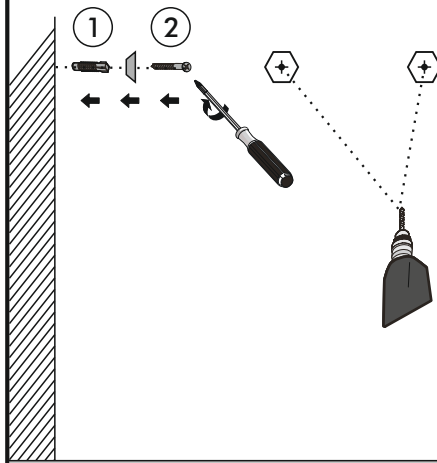
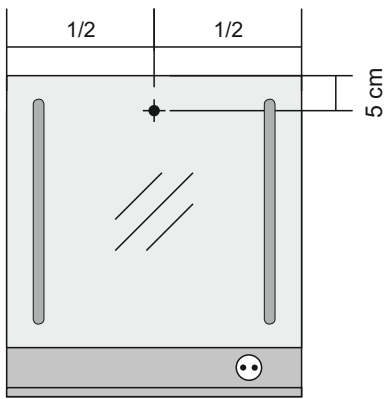


1

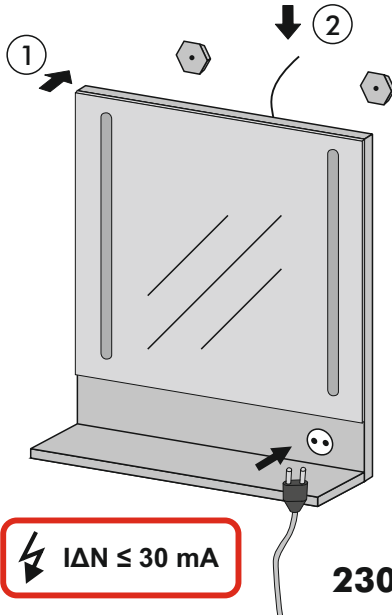


2

230V



3



230V

4