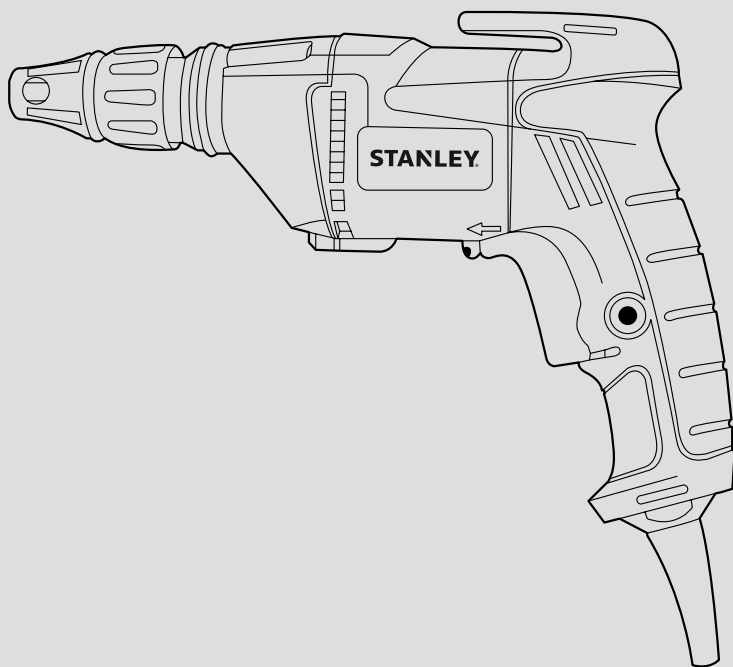


STANLEY



STDR5206

English	Page 3
Russian	Page 13
Ukrainian	Page 23

FIG. A

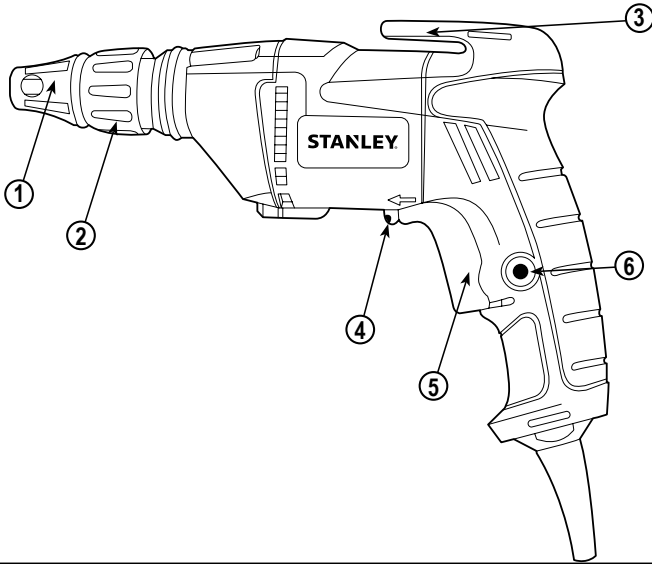


FIG. B

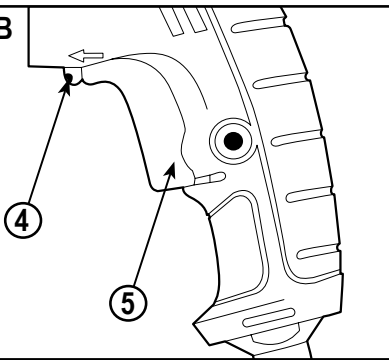


FIG. C

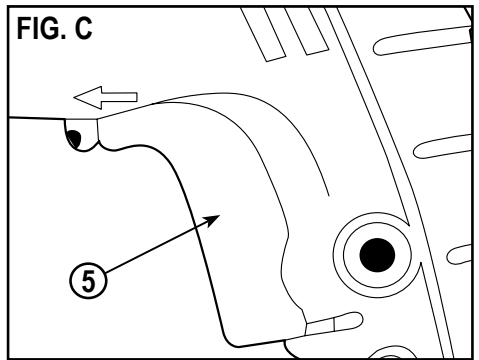


FIG. D

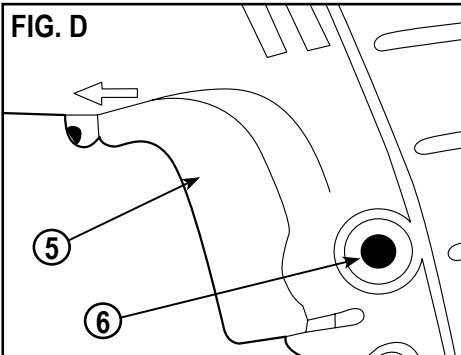


FIG. E

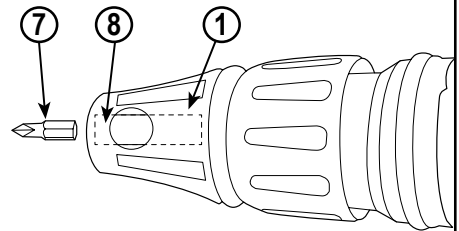


FIG. F

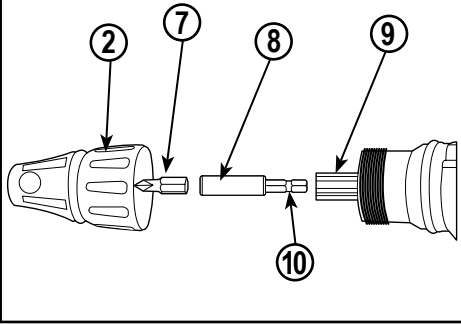


FIG. G

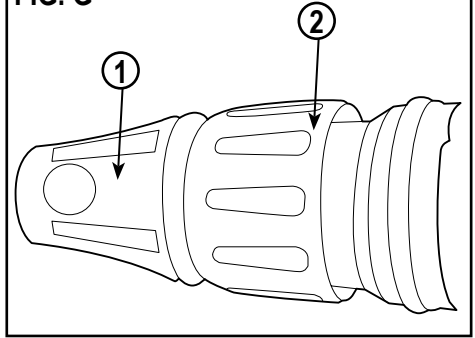


FIG. H

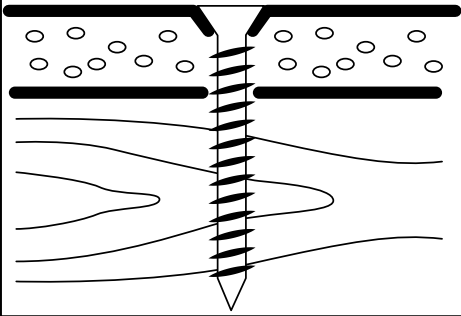


FIG. I

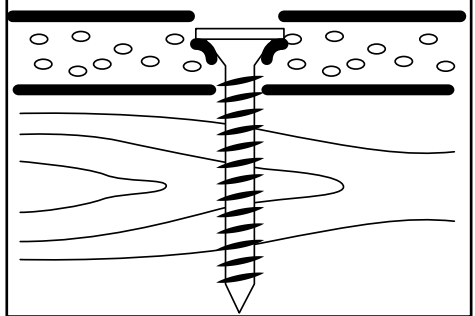


FIG. J

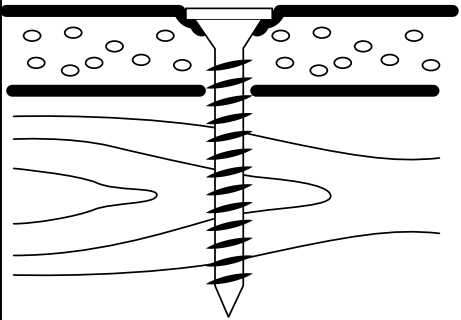
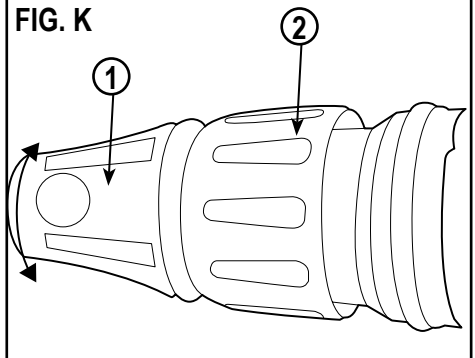


FIG. K



DO NOT RETURN THIS PRODUCT TO THE STORE,
first contact your local STANLEY Office
or nearest authorized service center.

Intended Use

This STANLEY screwdriver has been designed for driving drywall fasteners through drywall board into timber or metal framing studs.

General Safety Rules



Warning! Read and understand all instructions. Failure to follow all instructions listed below, may result in electric shock, fire and/or serious personal injury.

Save These Instructions

Safety instructions

General power tool safety warnings



Warning! Read all safety warnings and all instructions. Failure to follow the warnings and instructions listed below may result in electric shock, fire and/or serious injury.

Save all warnings and instructions for future reference.

The term "power tool" in all of the warnings listed below refers to your mains operated (corded) power tool or battery operated (cordless) power tool.

1. Work area safety

- a. **Keep work area clean and well lit.** Cluttered or dark areas invite accidents.
- b. **Do not operate power tools in explosive atmospheres, such as in the presence of flammable liquids, gases or dust.** Power tools create sparks which may ignite the dust or fumes.
- c. **Keep children and bystanders away while operating a power tool.** Distractions can cause you to lose control.

2. Electrical safety

- a. **Power tool plugs must match the outlet. Never modify the plug in any way. Do not use any adapter plugs with earthed (grounded) power tools.** Unmodified plugs and matching outlets will reduce risk of electric shock.
- b. **Avoid body contact with earthed or grounded surfaces such as pipes, radiators, ranges and refrigerators.** There is an increased risk of electric shock if your body is earthed or grounded.

- c. **Do not expose power tools to rain or wet conditions.** Water entering a power tool will increase the risk of electric shock.
- d. **Do not abuse the cord. Never use the cord for carrying, pulling or unplugging the power tool. Keep cord away from heat, oil, sharp edges or moving parts.** Damaged or entangled cords increase the risk of electric shock.
- e. **When operating a power tool outdoors, use an extension cord suitable for outdoor use.** Use of a cord suitable for outdoor use reduces the risk of electric shock.
- f. **If operating a power tool in a damp location is unavoidable, use a residual current device (RCD) protected supply.** Use of an RCD reduces the risk of electric shock. Note: The term "Residual Current Device (RCD)" can be replaced by "Ground Fault Circuit Interrupter (GFCI)" or by "Earth Leakage Circuit Breaker (ELCB)".

3. Personal safety

- a. **Stay alert, watch what you are doing and use common sense when operating a power tool. Do not use a power tool while you are tired or under the influence of drugs, alcohol or medication.** A moment of inattention while operating power tools may result in serious personal injury.
- b. **Use personal protective equipment. Always wear eye protection.** Protective equipment such as dust mask, non-skid safety shoes, hard hat, or hearing protection used for appropriate conditions will reduce personal injuries.
- c. **Prevent unintentional starting. Ensure the switch is in the off-position before connecting to power source and/or battery pack, picking up or carrying the tool.** Carrying power tools with your finger on the switch or energising power tools that have the switch on invites accidents.
- d. **Remove any adjusting key or wrench before turning the power tool on.** A wrench or a key left attached to a rotating part of the power tool may result in personal injury.
- e. **Do not overreach. Keep proper footing and balance at all times.** This enables better control of the power tool in unexpected situations.
- f. **Dress properly. Do not wear loose clothing or jewellery. Keep your hair, clothing and gloves away from moving parts.** Loose clothes, jewellery or long hair can be caught in moving parts.

g. If devices are provided for the connection of dust extraction and collection facilities, ensure these are connected and properly used. Use of dust collection can reduce dust-related hazards.

4. Power tool use and care

a. Do not force the power tool. Use the correct power tool for your application. The correct power tool will do the job better and safer at the rate for which it was designed.

b. Do not use the power tool if the switch does not turn it on and off. Any power tool that cannot be controlled with the switch is dangerous and must be repaired.

c. Disconnect the plug from the power source and/or the battery pack from the power tool before making any adjustments, changing accessories, or storing power tools. Such preventive safety measures reduce the risk of starting the power tool accidentally.

d. Store idle power tools out of the reach of children and do not allow persons unfamiliar with the power tool or these instructions to operate the power tool. Power tools are dangerous in the hands of untrained users.

e. Maintain power tools. Check for misalignment or binding of moving parts, breakage of parts and any other condition that may affect the power tools operation. If damaged, have the power tool repaired before use. Many accidents are caused by poorly maintained power tools.

f. Keep cutting tools sharp and clean. Properly maintained cutting tools with sharp cutting edges are less likely to bind and are easier to control.

g. Use the power tool, accessories and tool bits etc. in accordance with these instructions, taking into account the working conditions and the work to be performed. Use of the power tool for operations different from those intended could result in a hazardous situation.

5. Service









a. Have your power tool serviced by a qualified repair person using only identical replacement parts. This will ensure that the safety of the power tool is maintained.

Screwdriver safety warnings

Hold power tool by insulated gripping surfaces, when performing an operation where the fastener may contact hidden wiring or its own cord. Fasteners contacting a "live" wire may make exposed metal parts of the power tool "live" and could give the operator an electric shock.

6. Labels on tool

The label on your tool may include the following symbols:

	Read Instructions Manual	Hz Hertz		Class II Construction
	Use Eye Protection	W Watts		Earthing Terminal
	Use Ear Protection	min minutes		Safety Alert Symbol
		 Alternating Current	
		 Direct Current	
V Volts	/min..		Revolutions or Reciprocation per minute
A Amperes		n_0 No-Load Speed		

Position of date barcode

The Date Code, which also includes the year of manufacture, is printed into the housing.

Example:

2014 XX JN
Year of manufacturing

7. Electrical safety



Your tool is double insulated; therefore no earth wire is required. Always check that the main voltage corresponds to the voltage on the rating plate.



Warning! If the power cord is damaged, it must be replaced by the manufacturer, authorized STANLEY Service Center or an equally qualified person in order to avoid damage or injury. If the power cord is replaced by an equally qualified person, but not authorized by STANLEY, the warranty will not be valid.

Features (Fig. A)

1. Depth stop
2. Depth adjuster
3. Belt clip
4. Forward/Reverse switch
5. Variable speed trigger switch
6. Lock-on button

Specific Safety Rules



Warning! Know your drywall screwdriver. Do not plug the tool into the power source until you have read and understand this Instruction Manual. Learn the tool's applications and limitations, as well as the specific potential hazards related to this tool.

- Following this rule will reduce the risk of electric shock, fire, or serious injury.

- Always wear eye protection. Any power tool can throw foreign objects into your eyes and cause permanent eye damage. ALWAYS wear safety goggles (not glasses) that comply with ANSI safety standard Z87.1. Everyday glasses have only impact resistant lenses. They ARE NOT safety glasses



Warning! Glasses or goggles not in compliance with ANSI Z87.1 could cause serious injury when they break.

- Never use the drywall screwdriver to drive screws other than drywall screws. The drywall screwdriver and the screwdriver bits are designed specifically for driving drywall screws.
- Only use screwdriver bits that are designed for use with this tool.
- Always keep hands out of the path of the drywall screw. Avoid awkward hand positions where a sudden slip could cause your hand to move into the path of the saw blade.
- Make sure there are no nails or foreign objects in the part of the workpiece to be cut or sanded.
- To avoid injury from accidental starting, always remove the plug from the power source before installing or removing a screwdriver bit or when adjusting the depth control.
- Always check the wall area where screws will be driven to be sure there are no hidden electrical wires in the area.
- Never leave the Lock-on button ON. Before plugging the tool into the power source, make sure the lock-on button is OFF.

General Safety Warnings



Warning! Wear a dust mask that is designed to be used when operating a power tool in a dusty environment.



Warning! Dust that is created by power sanding, sawing, grinding, drilling, and other construction activities may contain chemicals that are known to cause cancer, birth defects, or other genetic abnormalities. These chemicals include:

- Lead from lead-based paints
- Crystalline silica from bricks, cement, and other masonry products
- Arsenic and chromium from chemically treated lumber

The level of risk from exposure to these chemicals varies, according to how often this type of work is performed. In order to reduce exposure to these chemicals, work in a well-ventilated area, and use approved safety equipment, such as a dust mask that is specifically designed to filter out microscopic particles.

Safety Extension Cord



Warning! Keep the extension cord clear of the working area. Position the cord so it will not get caught on the workpiece, tools or any other obstructions while you are working with the power tool.

Make sure any extension cord used with this tool is in good condition. When using an extension cord, be sure to use one of heavy enough gauge to carry the current the tool will draw. An undersized cord will cause a drop in line voltage resulting in loss of power and overheating.

Be sure your extension cord is properly wired and in good condition. Always replace a damaged extension cord or have it repaired by a qualified electrician before using it. Protect your extension cord from sharp objects, excessive heat and damp or wet areas.

Use a separate electrical circuit for your power tools. This circuit must not be less than 14 gauge wire and should be protected with either a 15 A time delayed fuse or circuit breaker. Before connecting the power tool to the power source, make sure the switch is in the OFF position and the power source is the same as indicated on the nameplate. Running at lower voltage will damage the motor.

Contents

Carefully unpack the drywall screwdriver. Compare the contents against the "Drywall screwdriver components" chart below.

Assembly and Operating



Warning! To avoid fire or toxic reaction, never use gasoline, naphtha, acetone, lacquer thinner or similar highly volatile solvents to clean the tool.

Forward/Reverse switch (Fig. B)

The forward/reverse switch (4) is conveniently mounted in front of the variable speed trigger switch (5). To make the screwdriver rotate clockwise for driving screws, push the forward/reverse switch (4) to the left. To make the screwdriver rotate counter-clockwise to remove screws, push the forward/reverse switch (4) to the right.

Notes:

- a. Never change the position of the forward/reverse switch (4) while the screwdriver bit is turning.
- b. The variable speed trigger switch (5) will NOT function with the forward/reverse switch (4) in the middle position.

Variable speed trigger switch (Fig. C)

This screwdriver is equipped with a variable speed On/Off trigger switch.

1. To start screwdriver, gently squeeze the variable speed trigger switch (5).

Note: The screwdriver will turn at its slowest speed when the variable speed trigger switch is depressed slightly. The screwdriver will turn at its fastest speed when the variable speed trigger switch is fully depressed.

2. To stop the screwdriver, release the variable speed trigger switch (5).

Lock-on button (Fig. D)

The lock-on button feature allows the trigger switch to be locked in the ON position at full speed when continuous operation for extended periods of time is required.

To lock the lock-on button in the ON position, pull back on the variable speed trigger switch (5) to start the screwdriver and push the lock-on button (6) into the screwdriver handle. Release the variable speed trigger switch while holding the lock-on button into the screwdriver handle. The screwdriver will continue to run. To release the lock-on button, pull variable speed trigger switch back (5) and then release the trigger.

Note: Operating the screwdriver with the variable speed trigger switch for an extended period of time may cause the screwdriver motor to overheat. If the screwdriver gets hot, stop driving screws and allow it to cool for at least 15 minutes.

Inserting a screwdriver bit (Fig. E)

This tool has a magnetic bit holder that provides convenient bit changes. To install a bit, simply insert the hex bit shank (7) into the magnetic bit holder (8) that is located inside the depth stop (1). Push the bit into the magnetic bit holder until the magnet holds the bit in place.

Notes:

- a. Use only 1" (25 mm) long bits that are designed for use in driving drywall screws.
- b. Make sure the bit size is correct for the drywall screws being driven. This will usually be a #2 size.

Replacing the magnetic bit holder (Fig. F)

If the magnetic bit holder becomes worn or damaged, it must be replaced. The replacement bit holder must be of the same dimensions as the original and have the ANSI retention groove on the end that is inserted into the tool.

1. Remove the nosepiece (2) by turning it counter clockwise.

Note: Do not use pliers on the nosepiece. Only use your hand.

2. Grasp the screwdriver bit (7) with pliers and pull it out of the magnetic bit holder (8).
3. Grasp the large end of the bit holder with pliers and pull it straight out of the screwdriver spindle (9).
4. Reverse the process by inserting the replacement magnetic bit holder into the tool.

Note: When inserting the replacement for magnetic bit holder, gently tap it into place to make sure it is fully inserted. Grasp the large end of the magnetic bit holder to ensure the retention groove (10) is holding the magnetic bit holder in place in the tool.

5. Reinstall the screwdriver bit and nose piece.

Safety Recommendations

Check the following every time you use the screwdriver:

1. Wear safety glasses or a mask.
2. Use hearing protection.
3. The screwdriver tip is the right size and it is in good condition.
4. No power cables "live" where you are inserting the screws.

Note: Failure to follow these safety rules will significantly increase the risk of injury.

Adjusting the screwdrive bit depth (Fig. G)

It is important to control the depth to which the drywall screw will be driven. Over driving the screw will drive the screw too deep and break the outer paper layer of the drywall. Under driving the screw will leave the screw head above the drywall surface making it impossible to properly finish the drywall.

The depth control system is made up of the depth stop (1) and the depth adjuster (2).



Warning! The following adjustments should always be verified using a scrap piece of drywall to avoid damaging the “good” drywall sections.

1. Rotate the depth adjuster counter clockwise until approximately 1/4” of the screwdriver bit extends beyond the depth stop.
2. Place a drywall screw onto the screwdriver bit. The magnetized bit will hold the screw onto the bit.

Note: Before driving the screw, press the screw point into the drywall and make sure the screw is perpendicular to the drywall.

3. Press the screw against the drywall with steady even pressure and squeeze the trigger switch. The clutch in the tool will engage and the screw will be driven to the preset depth.
4. If the screw is not driven deep enough, the head of the screw will not be recessed into the drywall (Fig. H). In this case, turn the depth adjustment sleeve clockwise until the correct depth has been achieved. If the screw is driven too deep, it will be recessed too far into the drywall and the outer paper of the drywall will be fractured (Fig. I). In this case, turn the depth adjustment sleeve counter clockwise until the correct depth has been achieved. Fig. J illustrates the correct depth for the screw to be driven.

Note: For each revolution the depth adjustment sleeve is rotated, the depth will increase/decrease approximately 1/16” (1.6 mm).

Tips for driving drywall screws

ff Always drive the screws perpendicular to the drywall so the heads are properly countersunk. They should never be driven at an angle.

- Support the tool with both hands wherever possible.

This will provide better control over the tool help eliminate screws being driven at an angle.

- Place the drywall screw on the screwdriver bit. The magnetic bit holder will hold any steel screw for easy starting.
- Press the screw against the drywall with steady even pressure and squeeze the variable speed trigger switch. The clutch in the tool will engage and the screw will be driven to the preset depth. Once fully driven, the clutch will make a chattering sound until the variable speed trigger is released.
- When the screw is properly driven, the screw head will be slightly countersunk into the drywall without breaking the outer drywall paper. At this point, the clutch will release to prevent over driving the screw. This will result in minimum work to fill the holes and taping the seams.
- The belt clip allows you to conveniently attached the screwdriver to your belt. This will allow you to use both hands for positioning the drywall.

Removing drywall screws (Fig. K)

To remove drywall screws, remove the depth stop (1) to expose the screwdriver bit.

Notes:

- a. The depth stop is a press fit onto the depth adjuster (2). Simply twist and pull outward to slide it off the depth adjuster.
- b. You can also turn the depth adjuster clockwise to expose the screwdriver bit. This however will cause you to lose the depth setting and you will have to re-set the depth.

Maintenance

Keep guards, air vents and the motor housing as clear as possible of dust and dirt. Wipe with a clean cloth and blow through with a low-pressure air supply. Excessive build-up of metal dust can cause tracking of electrical current from the internal parts to exposed metal parts. Do not overload your angle grinder. Overloading causes a reduction in speed and efficiency, causing your angle grinder to become too hot. If this happens, operate your angle grinder under no load for one or two minutes until it has cooled to normal operating temperature. Switching your angle grinder off under load will reduce the life of the switch.



Warning! When servicing, use only identical replacement parts. The use of any other part may create a hazard or cause product damage.

- **DO NOT** use solvents when cleaning plastic parts. Plastics are susceptible to damage from various types of commercial solvents and may be damaged by their use. Use a clean cloth to remove dirt, dust, oil, grease etc.



Warning! Do not allow brake fluids, gasoline, petroleum-based products, penetrating oils, etc. to come into contact with plastic parts. They contain chemicals that can damage, weaken or destroy plastic.

- Remove accumulated dust and debris regularly using a SOFT and DRY brush.



Warning! Use safety goggles when using an air jet to blow dust out of the tool. Keep air vents clean and unobstructed to allow maximum airflow through the tool.

- **DO NOT** abuse power tools. Abusive practices can damage the tool and the workpiece.



Warning! DO NOT attempt to modify tools or create accessories. Any such alteration or modification is misuse and could result in a hazardous condition leading to possible serious injury. It will also void the warranty.

Lubrication

All of the bearings in this tool are lubricated with a sufficient amount of high-grade lubricant for the life of the unit under normal conditions. Therefore, no further lubrication is required.

Cleaning

Use only mild soap and a slightly damp cloth to clean your angle grinder. Many household cleaners contain chemicals which could seriously damage the plastic. Also, do not use petrol, turpentine, lacquer or paint thinners or similar products. Never let any liquid get inside the tool and never immerse any part of the tool into liquid.



Important! To assure product SAFETY and RELIABILITY, repairs, maintenance and adjustment (other than those listed in this manual) should be performed by authorized service centers or other qualified service personnel, always using identical replacement parts.

Specifications

STDR5206	
Power	520W
Voltage	220-240V
Frequency	50/60Hz
No-load speed	0-4500/min (rpm)
Weight	3.3lb (1.45kg)

Protecting the environment



Separate collection. This product must not be disposed of with normal household waste.

Should you find one day that your Stanley product needs replacement, or if it is of no further use to you, do not dispose of it with household waste. Make this product available for separate collection.



Separate collection of used products and packaging allows materials to be recycled and used again. Re-use of recycled materials helps prevent environmental pollution and reduces the demand for raw materials.

Local regulations may provide for separate collection of electrical products from the household, at municipal waste sites or by the retailer when you purchase a new product. Stanley provides a facility for the collection and recycling of Stanley products once they have reached the end of their working life. To take advantage of this service please return your product to any authorised repair agent who will collect them on our behalf.

You can check the location of your nearest authorised repair agent by contacting your local Stanley office at the address indicated in this manual. Alternatively, a list of authorised Stanley repair agents and full details of our after-sales service and contacts are available on the Internet at: www.2helpU.com

Two year full warranty

If your STANLEY product becomes defective due to faulty materials or workmanship within 24 months from the date of purchase, STANLEY Europe guarantees to replace all defective parts free of charge or – at our discretion – replace the unit free of charge provided that:

- The product has not been misused and has been used in accordance with the instruction manual.
- The product has been subject to fair wear and tear;
- Repairs have not been attempted by unauthorised persons;
- Proof of purchase is produced.
- The STANLEY product is returned complete with all original components

If you wish to make a claim, contact your seller or check the location of your nearest authorised STANLEY repair agent in the STANLEY catalogue or contact your local STANLEY office at the address indicated in this manual. A list of authorised STANLEY repair agents and full details of our after sales service is available on the internet at: www.stanleytools.com

FIG. A

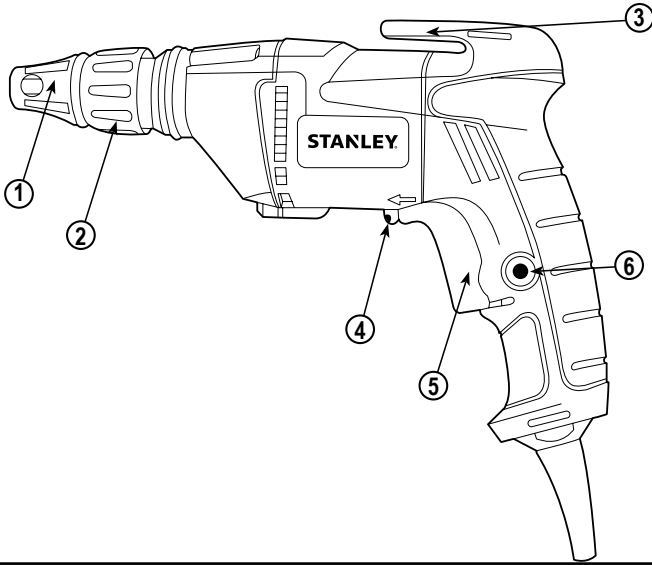


FIG. B

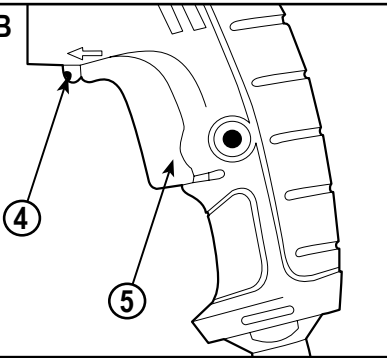


FIG. C

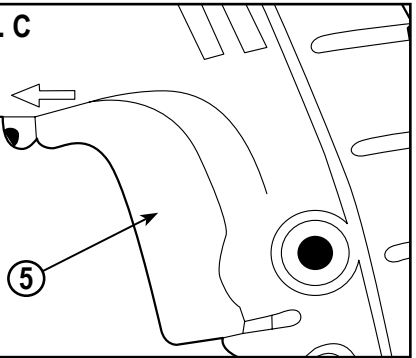


FIG. D

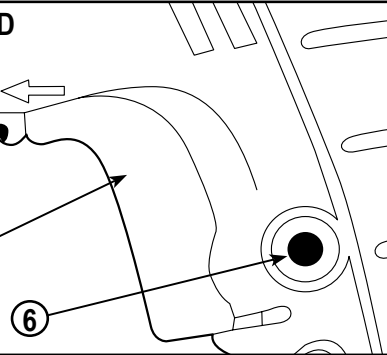
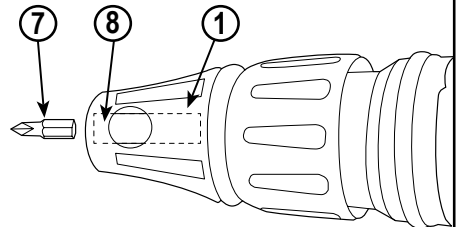
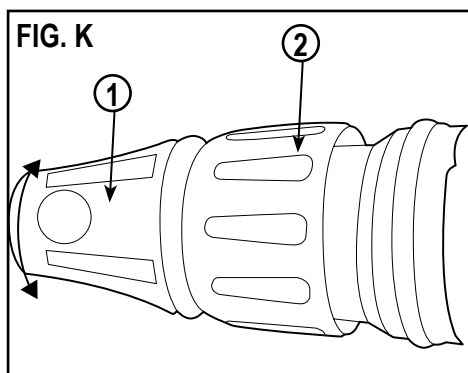
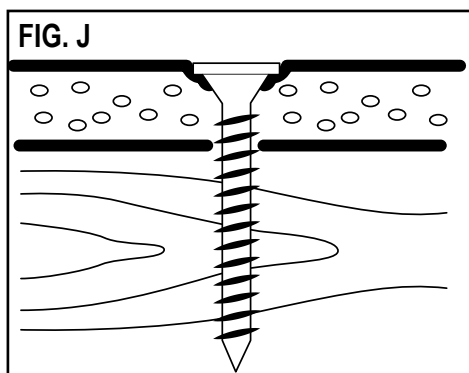
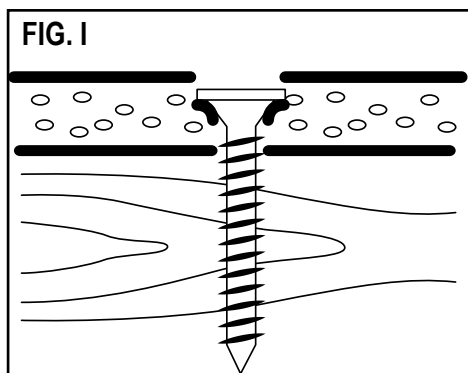
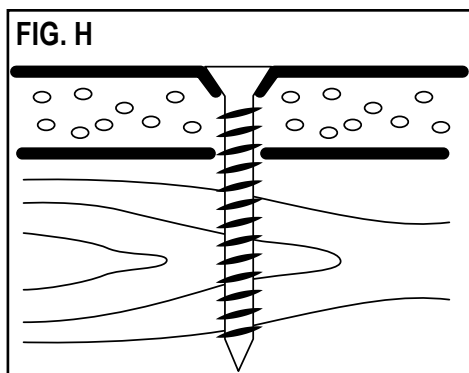
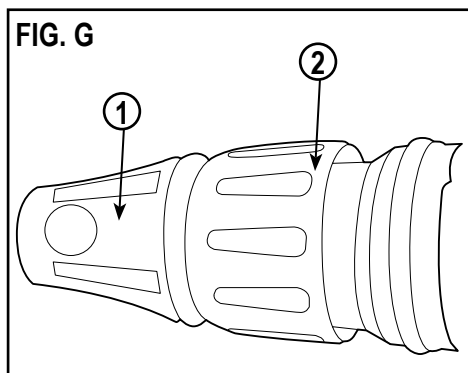
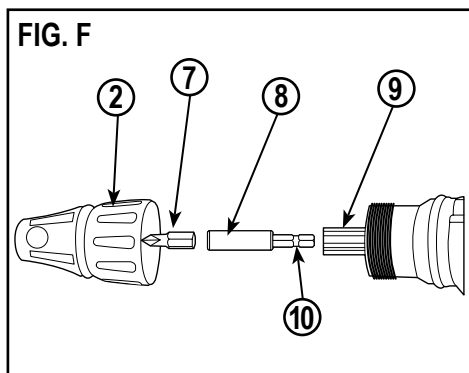


FIG. E





НЕ ВОЗВРАЩАЙТЕ ЭТО ИЗДЕЛИЕ В МАГАЗИН, сначала обратитесь в ваш местный офис STANLEY или в ближайший авторизованный сервисный центр.

Назначение

Это отвертка Стэнли разработан для управления гипсокартона крепеж через гипсокартон борту в деревянных или металлического каркаса шпильки.

Общие правила техники безопасности



Внимание! Прочитайте и поймите все инструкции. Несоблюдение любых инструкций, указанных ниже, может привести к поражению электрическим током, пожару и/или серьезной травме.

СОХРАНИТЕ ЭТИ ИНСТРУКЦИИ

Правила техники безопасности

Общие предупреждения по технике безопасности электроинструментов



Внимание! Ознакомьтесь со всеми правилами безопасности и инструкциями. Несоблюдение предупреждений и инструкций, указанных ниже, может привести к поражению электрическим током, пожару и/или серьезной травме.

Сохраните все предупреждения и инструкции для будущего использования.

Термин "электроинструмент" во всех предупреждениях, указанных ниже, относится к вашему сетевому (с кабелем) электроинструменту или аккумуляторному электроинструменту (без кабеля питания).

1. Безопасность рабочего места

- a. **Содержите рабочее место в чистоте и хорошо освещенным.** Беспорядок на рабочем месте или отсутствие освещения рабочего места может привести к аварии.
- b. **Не работайте с электроинструментом в месте хранения взрывоопасных материалов,** например, в присутствии огнеопасных жидкостей, газов или пыли. Электрические инструменты создают искры, которые могут воспламенить пыль или пары.
- c. **Дети и посторонние лица должны находиться как можно дальше во время работы с электроинструментом.** Вы можете отвлечься и потерять контроль.

2. Электробезопасность

- a. **Вилка электроинструмента должна соответствовать розетке. Никогда не модифицируйте вилку каким-либо образом. Не используйте никакие вилки-переходники с заземленными (замкнутыми на землю) электроинструментами.** Вилки и розетки, которые не подвергались никаким изменениям снижают риск поражения электрическим током.
- b. **Избегайте контакта тела с заземленными поверхностями,** такими как трубы, радиаторы, плиты и холодильники. Существует повышенный

риск поражения электрическим током, если ваше тело заземлено.

- c. **Избегайте любого воздействия дождя или влаги на электроинструменты.** Вода, попавшая в электроинструмент, увеличивает риск поражения электрическим током.
 - d. **Аккуратно обращайтесь со шнуром питания. Никогда не используйте шнур питания для переноски, перемещения или извлечения вилки из розетки. Держите шнур вдали от источников тепла, масла, острых краев или движущихся частей.** Поврежденные или запутанные шнуры увеличивают риск поражения электрическим током.
 - e. **При работе с электроинструментом на улице, используйте удлинитель, подходящий для наружного использования.** Использование кабеля, пригодного для использования на открытом воздухе, снижает риск поражения электрическим током.
 - f. **При необходимости работы с электроинструментом во влажной среде, используйте устройство защитного отключения (УЗО).** Использование УЗО снижает риск поражения электрическим током. Примечание: Термин "устройство защитного отключения (УЗО)" может быть заменен на "аварийный прерыватель заземления" или "автоматический выключатель тока утечки".
- #### 3. Личная безопасность
- a. **Будьте внимательны, смотрите, что вы делаете, используйте здравый смысл при работе с электроинструментом. Не используйте электроинструмент, если вы устали или находитесь под влиянием наркотиков, алкоголя или лекарств.** Малейшая неосторожность при работе с электроинструментом может привести к серьезным травмам.
 - b. **Используйте средства индивидуальной защиты. Всегда надевайте защитные очки. Другое защитное оборудование, включая респиратор, ботинки на нескользящей подошве, защитный шлем или средства защиты органов слуха, используемые в надлежащих условиях, уменьшают риск получения травмы.**
 - c. **Для предотвращения случайного запуска, убедитесь, что переключатель находится в выключенном положении перед подключением к источнику питания и/или аккумуляторной батарее, поднятия или переноски инструмента.** Не переносите электроинструмент с пальцем на выключателе и не включайте питание на инструмент с включенным выключателем, что может привести к несчастному случаю.
 - d. **Перед включением электроинструмента снимайте регулировочный или гаечный ключ. Гаечный или регулировочный ключ, оставленный на вращающейся части электроинструмента, может привести к травме.**
 - e. **Не тянитесь. Сохраняйте правильную стойку и баланс все время.** Это позволяет лучше контролировать инструмент в неожиданных ситуациях.

f. Одевайтесь правильно. Не надевайте свободную одежду или украшения. Держите волосы, одежду и перчатки вдали от движущихся частей. Свободная одежда, украшения или длинные волосы могут попасть в движущиеся части.

g. Если имеются устройства для подключения пылесборника или вытяжки, убедитесь в том, что они подсоединены и используются правильно. Использование пылесборника снижает вероятность возникновения рисков, связанных с пылью.

4. Использование и уход за электроинструментом

a. Не перегружайте электроинструмент. Используйте подходящий электрический инструмент для соответствующего применения. Правильно подобранный электроинструмент позволит выполнить работу лучше и безопаснее при скорости, для которой он был разработан.

b. Не используйте электроинструмент, если переключатель не может его включить и выключить. Любой электроинструмент, который нельзя контролировать с помощью переключателя, опасен и должен быть отремонтирован.

c. Отключите кабель питания от источника питания и/или аккумуляторный блок от электрического инструмента перед выполнением любых регулировок, замены принадлежностей или при хранении электроинструмента. Такие профилактические меры безопасности уменьшают риск непреднамеренного запуска электрического инструмента.

d. Храните неиспользуемые электроинструменты в недоступном для детей месте и не позволяйте лицам, не знакомым с электроинструментом или данными инструкциями, работать с электроинструментом. Электроинструменты опасны в руках неопытных пользователей.

e. Поддержание электроинструмента. Проверяйте разрегулированность или соединения подвижных частей, поломки частей и любые другие условия, которые могут повлиять на работу электроинструмента. При наличии повреждения, отремонтируйте электроинструмент перед использованием. Многие несчастные случаи являются следствием плохого ухода за электроинструментом.

f. Держите режущий инструмент острым и чистым. Хорошо ухоженный режущий инструмент с острыми режущими кромками легче контролировать.

5. Обслуживание

a. Обеспечьте, чтобы обслуживание и ремонт вашего электроинструмента проводился в авторизованном сервисном центре по ремонту с использованием только оригинальных запасных частей. Это станет гарантией безопасности электроинструмента.

Указания по технике безопасности для шуруповерта

Держите инструмент за изолированные поверхности захвата при выполнении операций, когда режущий инструмент может контактировать со скрытой проводкой или собственным кабелем. Крепёжные элементы, контактирующие с проводом под напряжением, могут подать напряжение на открытые металлические части электроинструмента и это может привести к поражению оператора электрическим током.

6. Этикетки на инструменте

Этикетка на вашем инструменте может включать следующие символы:

	Читайте инструкции по эксплуатации	Gц Герц	 Конструкция класса II
	Используйте средства защиты глаз	Вт Ватт	 Терминал заземления
	Используйте средства защиты органов слуха	мин..... минуты	 Символ предупреждения об опасности
		 Переменный ток обороты или возвратно-поступательное движение в минуту
		 Постоянный ток	
	V Вольт		n ₀ Скорость без нагрузки	
	A Ампер			


Положение даты штрих-кода


Дата кода, который также включает год изготовления, печатается на корпусе.

Пример:

2014 XX JN
Год изготовления

7. Электрическая безопасность

 Ваш инструмент имеет двойную изоляцию, именно в этой связи заземляющий провод не требуется. Всегда проверяйте, что напряжение сети соответствует напряжению, указанному на заводской табличке.

 **Внимание!** Если шнур питания поврежден, он должен быть заменен производителем в авторизованном сервисном центре STANLEY или квалифицированным специалистом для того, чтобы избежать повреждения или травмы. Если шнур питания заменен квалифицированным специалистом, не уполномоченным STANLEY, гарантия не будет действовать.

Опции (Рис. А)

1. Ограничитель глубины
2. Регулятор глубины
3. Зажим для крепления к поясному ремню
4. Переключатель вперед/назад
5. Вариатор скорости
6. Кнопка фиксации

Определенные правила техники безопасности



Осторожно! Изучите ваш шуруповёрт для гипсокартона. Не подключайте инструмент к источнику питания, пока вы не прочли и поняли данную инструкцию по эксплуатации. Узнайте о сфере применения инструмента и ограничениях, а также определенных потенциальных опасностях, связанных с этим инструментом.

- Выполнение этого правила снизит риск поражения электрическим током, возникновения огня или серьезной травмы.
- Всегда надевайте защитные очки. Любой электроинструмент может стать причиной попадания посторонних объектов в ваши глаза и привести к необратимому повреждению глаз. Всегда надевайте защитные очки (не очки для коррекции зрения), которые соответствуют стандарту безопасности ANSI Z87.1. Повседневные очки снабжены только ударопрочными линзами. Они НЕ ЯВЛЯЮТСЯ защитными очками.



Осторожно! Очки для коррекции зрения или солнцезащитные очки, не в соответствующие требованиям ANSI Z87.1, могут привести к серьезным травмам, если они ломаются.

- Никогда не используйте шуруповёрт для гипсокартона для закручивания шурупов иного типа, чем саморезы. Шуруповёрт для гипсокартона и насадки для шуруповёрта предназначены именно для закручивания саморезов.
- Используйте насадки для шуруповёрта, которые предназначены для использования с данным инструментом.
- Всегда держите руки подальше от пути самореза. Избегайте неудобных положений рук, когда внезапно скольжение может привести вашу руку на путь движения пильного диска.
- Убедитесь в отсутствии гвоздей или посторонних предметов в части детали, которая будет подвергаться резанию или шлифованию.
- Во избежание травм от случайного включения, всегда вынимайте вилку из розетки, прежде чем устанавливать или извлекать насадку для шуруповёрта или во время регулировки глубины.
- Всегда проверяйте зону стены, куда будут вкручиваться шурупы, чтобы убедиться в отсутствии каких-либо скрытых электрических проводов в данной зоне.
- Никогда не оставляйте кнопку фиксации в положении ВКЛ. Перед подключением инструмента к источнику питания, убедитесь, что кнопку фиксации в положении ВЫКЛ.

Указания по технике безопасности общего характера



Осторожно! Одевайте противопылевой респиратор, который предназначен для использования при работе с электроинструментом в пыльной среде.



Осторожно! Пыль, которая создается при механической шлифовке, распиле, шлифовании, сверлении и других строительных работах может содержать вещества, которые, как известно, вызывают рак, врожденные дефекты или другие генетические аномалии. К ним относятся:

- Свинец из свинцовых красок
- Кристаллический кремнезем из кирпичей, цемента и других стеновых блоков
- Мышьяк и хром из химически обработанных пиломатериалов

Уровень риска от воздействия этих веществ колеблется, в связи с тем, как часто выполняется этот тип работы. Для того, чтобы сократить воздействие этих химических веществ, работайте в хорошо проветриваемом помещении и используйте одобренные технические средства обеспечения безопасности, например, респиратор, который предназначен именно для фильтрации микроскопических частиц.

Безопасный удлинитель



Осторожно! Избегайте попадания удлинителя в рабочую зону. Расположите шнур, чтобы он не падал на заготовку, инструменты или любые другие препятствия, пока вы работаете с электроинструментом.

Убедитесь в хорошем состоянии любого удлинителя, использующегося с этим инструментом. При использовании удлинителя убедитесь, что используете провод достаточного сечения, способный выдержать рабочий ток инструмента. Шнур недостаточного сечения может вызвать падение сетевого напряжения, что приводит к потере мощности и перегреву.

Убедитесь, что ваш удлинитель правильно ли подключен и находится в хорошем состоянии. Всегда заменяйте поврежденный удлинитель или перед его использованием отдайте его в ремонт квалифицированному электрику. Защищайте свой удлинитель от острых предметов, высоких температур и воздействия сырости или влаги.

Используйте отдельную электрическую цепь для ваших электроинструментов. В этой цепи должны использоваться провода не менее 14 калибра, также они должны быть защищены или предохранителями (15 А) с временной задержкой или автоматом защиты цепи. Перед подключением электроинструмента к источнику питания, убедитесь, что переключатель находится в положении ВЫКЛ и источник питания соответствует указанному на паспортной табличке. Запуск при пониженном напряжении может привести к повреждению двигателя.

Содержимое упаковки

Осторожно распакуйте шурупверт для гипсокартона. Сравните содержимое с таблицей компонентов шурупверта для гипсокартона.

Монтаж и эксплуатация

Осторожно! Чтобы избежать возникновения огня или токсической реакции, для очистки инструмента никогда не используйте бензин, керосин, ацетон, растворитель для лака и подобные легковоспламеняющиеся растворители.



Переключатель вперед/назад (Рис. В)

Переключатель "вперед/назад" (4) удобно установленный в передней части вариатора скорости (5). Для того, чтобы шурупверт вращался по часовой стрелке для вкручивания шурупов, передвиньте переключатель "вперед/назад" (4) влево. Для того, чтобы шурупверт вращался против часовой стрелки для выкручивания шурупов, передвиньте переключатель "вперед/назад" (4) вправо.

Примечания:

- Никогда не меняйте положение переключатель "вперед/назад" (4) пока шурупверт вращается.
- Вариатор скорости (5) НЕ БУДЕТ работать, если переключатель "вперед/назад" (4) находится в среднем положении.

Вариатор скорости (Рис. С)

Шурупверт снабжен вариатором скорости Вкл/Выкл (On/Off).

- Чтобы запустить шурупверт, аккуратно нажмите на вариатор скорости (5).

Примечание: Если вариатор скорости слегка нажат, то шурупверт будет работать на самой медленной скорости. Если вариатор скорости нажат сильно, то шурупверт будет работать на самой быстрой скорости.

- Чтобы остановить шурупверт, отпустите вариатор скорости (5).

Кнопка фиксации (Рис. D)

Кнопка фиксации позволяет зафиксировать курковый выключатель в положении ВКЛ на полной скорости, когда необходима непрерывная работа в течение длительного периода времени.

Чтобы зафиксировать кнопку фиксации в положении ВКЛ, потяните назад вариатор скорости (5), чтобы запустить шурупверт и вдавите кнопку фиксации (6) в рукоятку шурупверта. Отпустите вариатор скорости, удерживая кнопку фиксации в рукоятке шурупверта. Шурупверт продолжит работать. Чтобы отпустить

кнопку фиксации, потяните назад вариатор скорости (5) и затем отпустите вариатор.

Примечание: Эксплуатация шурупверта с вариатором скорости в течение длительного периода времени может привести к перегреву двигателя шурупверта. Если шурупверт нагревается, прекратите вкручивание и дайте ему остыть в течение, по крайней мере, 15 минут.

Установка насадки шурупверта (Рис. Е)

Этот инструмент снабжен магнитным держателем насадки, что обеспечивает удобство замены насадки. Чтобы установить насадку, просто вставьте шестигранный хвостовик насадки (7) в магнитный держатель насадки (8), который находится внутри ограничителя глубины (1). Возьмите немного насадку в магнитный держатель насадки, пока магнит не зафиксирует насадку на месте.

Примечания:

- Используйте только насадки длиной 1 "(25 мм), которые предназначены для закручивания саморезов.
- Убедитесь, что размер правильно подобран для саморезов. Обычно это размер № 2.

Замена магнитного держателя насадки (Рис. F)

Если магнитный держатель насадки изношен или поврежден, он должен быть заменен. Держатель насадки должен быть из тех же размеров, как и оригинал, с удерживающей канавкой ANSI канавкой на конце, которая вставлена в инструмент.

- Снимите наконечник (2), повернув его против часовой стрелки.

Примечание: Не используйте плоскогубцы при обращении с насадкой. Используйте только руки.

- Возьмите насадку шурупверта (7) плоскогубцами и вытяните его из магнитного держателя насадки (8).
- Возьмитесь за большой конец держателя насадки плоскогубцами и вытяните ее из шпинделя шурупверта (9).
- Выполните процесс в обратном порядке, вставив магнитный держатель насадки в инструмент.

Примечание: При замене магнитного держателя насадки, мягко посадите его на место, чтобы убедиться, что он полностью вставлен. Возьмитесь за большой конец держателя насадки плоскогубцами, чтобы гарантировать удерживание удерживающей канавкой (10) магнитного держателя насадки в инструменте на необходимом месте.

- Установите на место насадку шурупверта и головку.

Рекомендации по технике безопасности

Проверяйте следующее каждый раз, когда вы используете шурупверт:

1. Одевайте защитные очки или маску.
2. Используйте средство защиты слуха.
3. Размер насадки шурупверта соответствует и она в хорошем состоянии.
4. Там, где вы вкручиваете саморезы отсутствуют провода под напряжением.



Примечание: Несоблюдение этих правил техники безопасности значительно повышает риск получения травмы.

Регулировка глубины насадки шурупверта (Рис. G)

Важно контролировать глубину, на которую саморез вкручивается в гипсокартон. Слишком глубокое вкручивание самореза разрушит внешний слой бумаги гипсокартона. При недостаточной глубине вкручивания головка самореза будет выступать над поверхностью гипсокартона, что делает невозможным последующую обработку поверхности гипсокартона.

Система контроля глубины состоит из ограничителя глубины (1) и регулятора глубины (2).

Осторожно! Следующие настройки всегда должны быть проверены при помощи куска гипсокартона, чтобы избежать повреждения "хороших" листов гипсокартона.

1. Поверните регулятор глубины против часовой стрелки пока примерно 1/4" насадки шурупверта выйдет за пределы ограничителя глубины.
2. Поместите саморез в насадку шурупверта. Намагнитенная насадка будет удерживать саморез на насадке.



Примечание: Перед началом ввинчивания шурупа, вдавите кончик шурупа в гипсокартон и убедитесь, что шуруп перпендикулярен гипсокартону.

3. Вдавите шуруп в гипсокартон, оказывая равномерное давление и нажмите курковый выключатель. Муфта инструмента запустится и шуруп будет ввинчен на заданную глубину.
4. Если шуруп не будет вкручен достаточно глубоко, головка шурупверта не утопится в гипсокартон (Рис. H). В этом случае поверните регулировочную втулку по часовой стрелке до достижения необходимой глубины. Если шуруп вкручен слишком глубоко, он будет слишком утоплен в гипсокартон и внешний слой бумаги гипсокартона будет разрушен (Рис. I) В этом случае, поверните регулировочную втулку

против часовой стрелки до тех пор, пока не будет достигнута соответствующая глубина. Рис. J иллюстрирует соответствующую глубину закручивания шурупа.

Примечание: При каждом обороте регулировочной втулки глубина увеличится / уменьшится примерно на 1/16 "(1,6 мм).

Советы по закручиванию саморезов

Всегда закручивайте винты перпендикулярно гипсокартону так, чтобы головки прятались в потай должным образом. Они никогда не должны закручиваться под углом.

- Поддерживайте инструмент обеими руками, когда это возможно. Это обеспечит лучший контроль над инструментом, помогая избежать закручивания шурупов под углом.
- Поместите саморез в насадку шурупверта. Магнитный держатель насадки удерживает любой стальной шуруп, облегчая запуск.
- Вдавливаете шуруп в гипсокартон, оказывая равномерное давление и нажмите вариатор скорости. Муфта инструмента запустится и шуруп будет ввинчен на заданную глубину. После полного закручивания, муфта производит стучащие звуки, пока не будет отпущен вариатор скорости.
- Когда шуруп правильно закручен, головка шурупа будет слегка утоплена в гипсокартоне, не разрывая внешний слой бумаги гипсокартона. В этот момент муфта отпустит, чтобы избежать чрезмерного закручивания шурупа. Это приведет к тому, что работа по заполнению отверстий и оклеиванием лентой швов будет минимальной.
- Зажим для крепления к поясному ремню позволяет удобно крепить шурупверт на ремне. Это позволит вам использовать обе руки для позиционирования гипсокартона.

Удаление саморезов (Рис. K)

Для удаления саморезов, снимите ограничитель глубины сверления (1), чтобы открыть доступ к насадке шурупверта.

Примечания:

- a. Ограничитель глубины является запрессованным элементом регулятора глубины (2). Чтобы снять его просто крутите и стягивайте регулятор глубины.
- b. Вы также можете поворачивать регулятор глубины по часовой стрелке, чтобы освободить насадку шурупверта. Это, однако, приведет к тому, что настройка глубины собьется и вам придется повторно устанавливать глубину.

Обслуживание

Очищайте, насколько это возможно, пыль и грязь с предохранительных щитков, вентиляционных отверстий и корпуса двигателя. Протрите чистой тканью и продуйте воздухом низкого давления. Чрезмерное накопление металлической пыли может привести к разрядам электрического тока от внутренних частей к открытым металлическим частям. Не перегружайте угловую шлифовальную машину. Перегрузка приводит к снижению скорости и эффективности, в результате чего ваш угловая шлифовальная машина перегревается. Если это произойдет, позволяйте угловой шлифовальной машине работать на холостом ходу в течение одной или двух минут, пока она не остынет до нормальной рабочей температуры. Выключение вашей угловой шлифовальной машины под нагрузкой может сократить срок службы выключателя.



Осторожно! При выполнении технического обслуживания используйте только идентичные запасные части. Использование любой другой детали может стать причиной возникновения опасности или повреждения оборудования.

- НЕ используйте растворители для очистки пластмассовых деталей. Пластмассы могут быть повреждены при использовании различных типов растворителей, доступных в торговой сети. Используйте чистую ткань, чтобы удалить грязь, пыль, масло, жир и т.д.



Осторожно! Не допускайте контакта пластиковых деталей с тормозной жидкостью, бензином, продуктами на основе нефти, проникающими маслами и т.д. Они содержат химические вещества, которые могут повредить, ослабить или разрушить пластик.

- Регулярно удаляйте скопившуюся пыль и мусор, используя МЯГКУЮ и СУХУЮ кисть.

Осторожно! Используйте защитные очки при помощи воздушной струи, чтобы выдуть пыль из инструмента. Содержите вентиляционные отверстия в чистоте и незазорными для обеспечения максимального воздушного потока через инструмент.

- НЕ эксплуатируйте электроинструменты с нарушением установленных режимов. Ненадлежащие действия могут привести к повреждению инструмента и заготовки.



Осторожно! НЕ пытайтесь модифицировать инструменты или зарегистрироваться насадки. Любое такое изменение или модификация является ненадлежащим использованием и может привести к опасной ситуации, ведущей к возможной серьезной травме. Это также приведет к аннулированию гарантии.

Смазка

Все подшипники в этом инструменте смазываются достаточным количеством высокосортной смазки для эксплуатации устройства при нормальных условиях. Дополнительная смазка не требуется.

Очистка

Используйте только мягкое мыло и влажную ткань, чтобы очистить вашу угловую шлифовальную машину. Многие бытовые чистящие средства содержат химические вещества, которые могут серьезно повредить пластик. Кроме того, не используйте бензин, скипидар, лак или растворители для краски или подобные продукты. Никогда не допускайте попадания жидкости внутрь инструмента и никогда не опускайте какую-либо деталь инструмента в жидкость.



Важно! Чтобы гарантировать БЕЗОПАСНОСТЬ и НАДЕЖНОСТЬ, ремонт, техническое обслуживание и регулировка (кроме тех, которые перечислены в настоящем руководстве) должны выполняться авторизованными сервисными центрами или другим квалифицированным обслуживающим персоналом всегда с использованием идентичных запасных частей.

Характеристики

STDR5206	
Мощность	520 Вт
Напряжение	220-240 В
Частота	50/60 Гц
Число оборотов холостого хода	0-4500/мин (оборотов в минуту)
Вес	3,3 фунтов (1,45 кг)

Защита окружающей среды



Раздельный сбор. Данное изделие нельзя утилизировать вместе с обычными бытовыми отходами.

Если однажды Вы захотите заменить Ваше изделие Stanley или Вы больше в нем не нуждаетесь, не выбрасывайте его вместе с бытовыми отходами. Отнесите изделие в специальный приёмный пункт.



Раздельный сбор изделий с истекшим сроком службы и их упаковок позволяет пускать их в переработку и повторно использовать. Использование переработанных материалов помогает защищать окружающую среду от загрязнения и снижает расход сырьевых материалов.

Местное законодательство может обеспечить сбор старых электрических продуктов отдельно от бытового мусора на муниципальных свалках отходов, или Вы можете сдавать их в торговом предприятии при покупке нового изделия. Фирма Stanley обеспечивает прием и переработку отслуживших свой срок изделий Stanley. Чтобы воспользоваться этой услугой, Вы можете сдать Ваше изделие в любой авторизованный сервисный центр, который собирает их по нашему поручению.

Вы можете узнать место нахождения Вашего ближайшего авторизованного сервисного центра, обратившись в Ваш местный офис Stanley по адресу, указанному в данном руководстве по эксплуатации. Кроме того, список авторизованных сервисных центров Stanley и полную информацию о нашем послепродажном обслуживании и контактах Вы можете найти в интернете по адресу: www.2helpU.com

Два года полной гарантии

При повреждении продукта STANLEY в течение 24 месяцев со дня покупки, произошедшего вследствие дефекта материалов или производственного брака, STANLEY гарантирует замену всех неисправных частей без взимания платы или, по нашему усмотрению, бесплатную замену самого инструмента, при условии, что:

- Продукт использовался без нарушения правил эксплуатации в соответствии с руководством по эксплуатации.
- Продукт пришел в негодность вследствие нормального износа;
- Ремонт продукта не производился посторонними лицами.
- Имеется подтверждение факта совершения покупки.
- Продукт STANLEY возвращен в полной комплектации и с наличием всех оригинальных составных частей.

Если Вы хотите подать заявку на гарантийное обслуживание, обратитесь к Вашему продавцу, в один из авторизованных сервисных центров STANLEY, список которых приведен в каталоге продукции STANLEY, или в ближайший сервисный центр STANLEY с по адресу, указанному на упаковке продукта или в данном руководстве по эксплуатации. Список авторизованных сервисных центров STANLEY и полную информацию о нашем послепродажном обслуживании Вы можете найти в интернете по адресу: www.stanleytools.com

STANLEY

Гарантийные условия

Уважаемый покупатель!

1. Поздравляем Вас с покупкой высококачественного изделия STANLEY и выражаем признательность за Ваш выбор.

2. При покупке изделия требуйте проверки его комплектности и исправности в Вашем присутствии, инструкцию по эксплуатации и заполненный гарантийный талон на русском языке.

В гарантийном талоне должны быть внесены: модель, дата продажи, серийный номер, дата производства инструмента; название, печать и подпись торговой организации. При отсутствии у Вас правильно заполненного гарантийного талона, а также несоответствия указанных в нем данных мы будем вынуждены отклонить Ваши претензии по качеству данного изделия.

3. Во избежание недоразумений убедительно просим Вас перед началом работы с изделием внимательно ознакомиться с инструкцией по его эксплуатации. Правовой основой настоящих гарантийных условий является действующее Законодательство. Гарантийный срок на данное изделие составляет 24 месяца и исчисляется со дня продажи. В случае устранения недостатков изделия, гарантийный срок продлевается на период его нахождения в ремонте. Срок службы изделия составляет 5 лет со дня продажи.

4. В случае возникновения каких-либо проблем в процессе эксплуатации изделия рекомендуем Вам обращаться только в уполномоченные сервисные центры STANLEY, адреса и телефоны которых Вы сможете найти в гарантийном талоне, на сайте www.2helpU.com или узнать в магазине. Наши сервисные станции - это не только квалифицированный ремонт, но и широкий ассортимент запчастей и принадлежностей.

5. Производитель рекомендует проводить периодическую проверку и техническое обслуживание изделия в уполномоченных сервисных центрах.

6. Наши гарантийные обязательства распространяются только на неисправности, выявленные в течение гарантийного срока и вызванные дефектами производства или материалами.

7. Гарантийные условия не распространяются на неисправности изделия, возникшие в результате:

7.1. Несоблюдения пользователем предписаний инструкции по эксплуатации изделия, применения изделия не по назначению, неправильном хранении, использовании неподходящих, расходных материалов и запчастей, не предусмотренных производителем.

7.2. Механического повреждения (сколы, трещины и разрушения) внутренних и внешних деталей изделия, основных и вспомогательных рукояток, сетевого электрического кабеля, вызванного внешним ударным или любым иным воздействием

7.3. Попадания в вентиляционные отверстия и проникновение внутрь изделия посторонних предметов, материалов или веществ, не являющихся отходами, сопровождающими применение изделия по назначению, такими как: стружка, опилки, песок, и пр.

7.4. Воздействия на изделие неблагоприятных атмосферных и иных внешних факторов, таких как дождь, снег, повышенная влажность, нагрев, агрессивные среды, несоответствие параметров питающей электросети, указанных на инструменте.

7.5. Стихийного бедствия. Повреждение или утрата изделия, связанное с непредвиденными бедствиями, стихийными явлениями, в том числе вследствие действия непреодолимой силы (пожар, молния, потоп и другие природные явления), а так же вследствие перепадов напряжения в электросети и другими причинами, которые находятся вне контроля производителя.

8. Гарантийные условия не распространяются:

8.1. На инструменты, подвергавшиеся вскрытию, ремонту или модификации вне уполномоченного сервисного центра.

8.2. На детали и узлы, имеющие следы естественного износа, такие как: приводные ремни и колеса, угольные щетки, смазка, подшипники, зубчатое зацепление редукторов, резиновые уплотнения, сальники, направляющие ролики, муфты, выключатели, бойки, толкатели, стволы, и т.п.

8.3. На сменные части: патроны, цанги, зажимные гайки и фланцы, фильтры, аккумуляторные батареи, ножи, шлифовальные подошвы, цепи, звездочки, пильные шины, защитные кожухи, пилки, абразивы, пильные и абразивные диски, фрезы, сверла, буры и т.п.

8.4. На неисправности, возникшие в результате перегрузки инструмента (как механической, так и электрической), повлекшей выход из строя одновременно двух и более деталей и узлов, таких как: ротора и статора, обеих обмоток статора, ведомой и ведущей шестерни редуктора или других узлов и деталей. К безусловным признакам перегрузки изделия относятся, помимо прочего: выявление цветов побежалости, деформация или оплавление деталей и узлов изделия, потемнение или обугливание изоляции проводов электродвигателя под воздействием высокой температуры.



Изготовитель

Блэк энд Деккер Холдингс ГмБХ
Германия, 65510, Идштайн,
ул. Блэк энд Деккер, 40

FIG. A

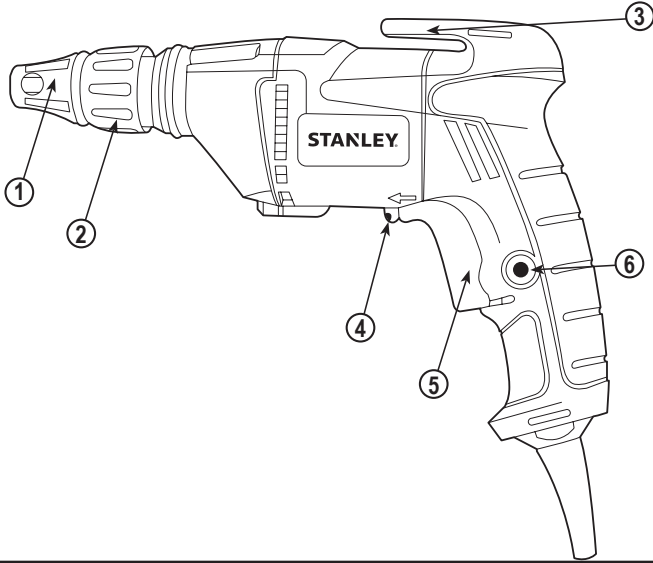


FIG. B

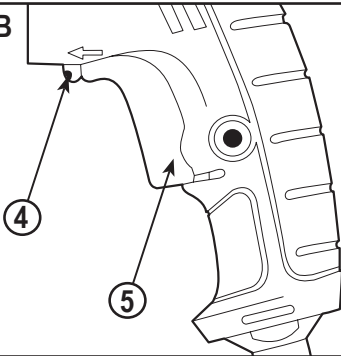


FIG. C

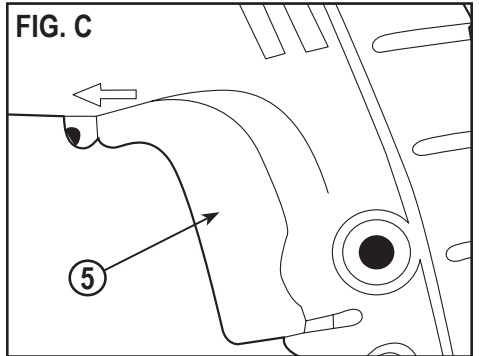


FIG. D

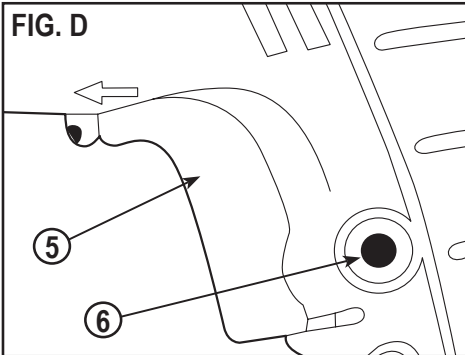


FIG. E

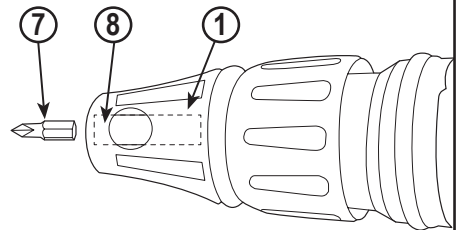


FIG. F

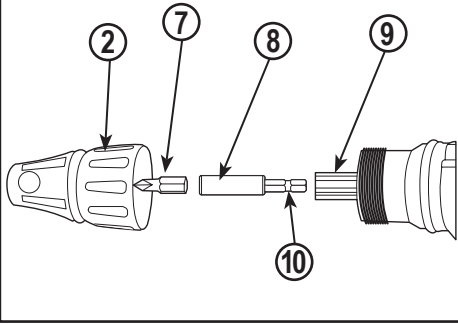


FIG. G

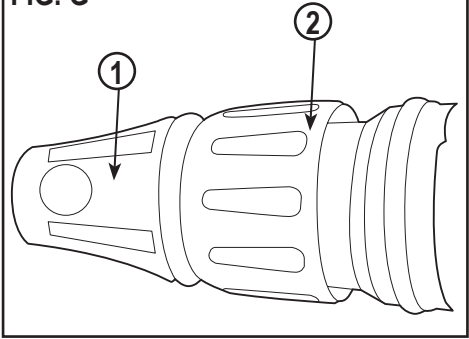


FIG. H

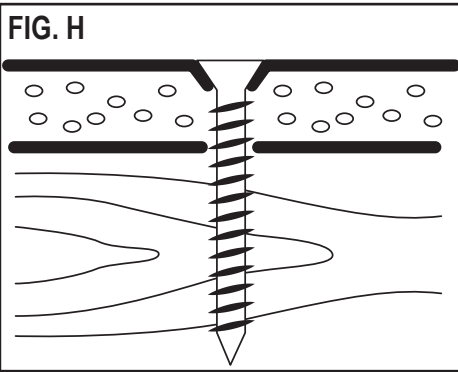


FIG. I

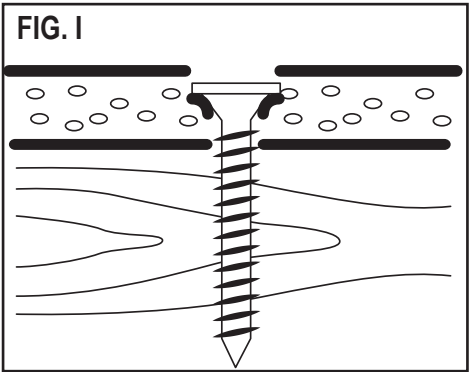


FIG. J

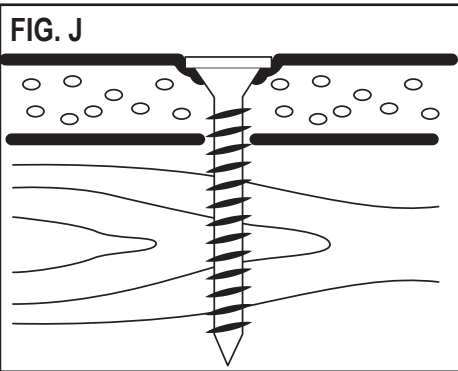
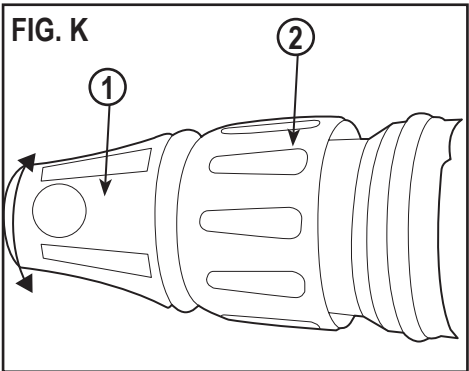


FIG. K



НЕ ПОВЕРТАЙТЕ ЦЕЙ ВИРІБ В МАГАЗИН,
спочатку зверніться у місцевий офіс STANLEY або в
найближчий авторизований сервісний центр.

призначення

Це викрутка Стенлі розроблений для управління гіпсокартону кріплення через гіпсокартон борту в дерев'яних або металевому каркаса шпильки.

Загальні правила техніки безпеки



Увага! Прочитайте і зрозумійте всі інструкції.

Недотримання будь-яких інструкцій, зазначених нижче, може призвести до

ураження електричним струмом, пожежі та/або серйозної травми.

ЗБЕРЕЖІТЬ ЦІ ІНСТРУКЦІЇ

Правила техніки безпеки

Загальні попередження з техніки безпеки електроінструментів



Увага! Ознайомтеся з усіма правилами

безпеки та інструкціями. Недотримання попереджень та інструкцій, зазначених нижче,

може призвести до ураження електричним струмом, пожежі та/або серйозної травми.

Збережіть всі попередження та інструкції для майбутнього використання.

Термін "електроінструмент" у всіх попередженнях, зазначених нижче, відноситься до мережевого (з кабелем) електроінструменту або акумуляторної батареї (без кабелю живлення).

1. Безпека робочого місця

- Утримуйте робоче місце в чистоті і добре освітлене.** Безлад на робочому місці або відсутність освітлення робочого місця може призвести до аварії.
- Не працюйте з електроінструментом в місці зберігання вибухонебезпечних матеріалів, наприклад, у присутності легкозаймистих рідин, газів або пилу.** Електричні інструменти створюють іскри, що можуть запалити пил або пари.
- Діти і сторонні особи повинні знаходитися якнайдалі під час роботи з електроприладами.** Ви можете відволіктися і втратити контроль.

2. Електробезпека

- Вилка електроінструмента повинна відповідати розетці. Ніколи не змінюйте вилку будь-яким чином. Не використовуйте ніякі вилки-перехідники з заземленими (замкнутими на землю) електроінструментами.** Вилки і розетки, які не піддавалися ніяким змінам знижують ризик ураження електричним струмом.
- Уникайте контакту тіла з заземленими поверхнями, такими як труби, радіатори, плити та холодильники.** Існує підвищений ризик ураження електричним струмом, якщо ваше тіло заземлене.
- Уникайте будь-якого впливу дощу або вологи на електроінструменти.** Вода, що потрапила в електроінструмент, збільшує ризик ураження електричним струмом.
- Обережно поводьтеся зі шнуром живлення. Ніколи не використовуйте шнур живлення для перенесення, переміщення або вилучення вилки з розетки. Тримайте шнур подалі від джерел тепла, масла, гострих країв або рухомих частин.** Пошкоджені або заплутані шнури збільшують ризик ураження електричним струмом.
- При роботі з електроінструментом на вулиці, використовуйте подовжувач, відповідний для зовнішнього використання.** Використання кабелю, придатного для використання на відкритому повітрі, знижує ризик ураження електричним струмом.
- При необхідності роботи з електроінструментом у вологому середовищі, використовуйте пристрій захисного відключення (ПЗВ).** Використання ПЗВ знижує ризик ураження електричним струмом. Примітка: Термін "пристрій захисного відключення (ПЗВ)" може бути замінений на "аварійний переривач заземлення" або "автоматичний вимикач струму витоку".

3. Особиста безпека

- Будьте уважні, дивіться, що ви робите, використовуйте здоровий глузд при роботі з електроприладами. Не використовуйте електроінструмент, якщо ви втомилися або перебуваєте під впливом наркотиків, алкоголю або ліків.** Найменша необережність при роботі з електроінструментом може призвести до серйозних травм.
- Використовуйте засоби індивідуального захисту. Завжди надягайте захисні окуляри.** Інше захисне обладнання, включаючи респіратор, черевки на нековзній підшві, захисний шолом або засоби захисту органів слуху, використовувати в належних умовах, зменшать ризик отримання травм.
- Для запобігання випадкового запуску, переконайтеся, що перемикач знаходиться у вимкненому положенні перед підключенням до джерела живлення та/або акумуляторної батареї, підняття або перенесення інструменту.** Не переносьте електроінструмент з пальцем на вимикачі і не включайте електроживлення на інструмент з увімкненим вимикачем, що може призвести до нещасного випадку.
- Перед включенням електроінструменту знімайте регульований або гайковий ключ.** Гайковий або регульований ключ, залишений на обертовій частині електроінструменту, може призвести до травми.
- Не тягнітьесь. Зберігайте правильну стійку і баланс весь час.** Це дозволяє краще контролювати інструмент в несподіваних ситуаціях.
- Одягайтеся правильно. Не надягайте вільний одяг або прикраси. Тримайте волосся, одяг і рукавички далеко від рухомих частин.** Вільний одяг, прикраси або довге волосся можуть потрапити в рухомі частини.

- g. Якщо є пристрій для підключення пилосбірника або витяжки, переконайтеся в тому, що вони під'єднані і використовуються правильно. Використання пилосбірника знижує ймовірність виникнення ризиків, пов'язаних з пилом.
4. Використання та догляд за електроінструментом
- a. Не перевантажуйте електроінструмент. Використовуйте відповідний електричний інструмент для відповідного застосування. Правильно підібраний електроінструмент дозволить виконати роботу краще і безпечніше при швидкості, для якої він був розроблений.
- b. Не використовуйте електроінструмент, якщо перемикач не може його включити і вимкнути. Будь-який електроінструмент, який не можна контролювати за допомогою перемикача, є небезпечний і повинен бути відремонтований.
- c. Від'єднайте кабель живлення від джерела живлення та/або акумулятора від електричного інструменту перед виконанням будь-яких регулювань, заміни приладдя або при зберіганні електроінструменту. Такі профілактичні заходи безпеки зменшують ризик ненавмисного запуску електричного інструменту.
- d. Зберігайте електроприлади в недоступному для дітей місці і не дозволяйте особам, які не знайомі з електричним інструментом або даними інструкціями, працювати з електроприладами. Електроінструменти небезпечні в руках недосвідчених користувачів.
- e. Підтримання електроінструменту. Перевіряйте розрегульованість або з'єднання рухомих частин, поломки частин і будь-які інші умови, які можуть вплинути на роботу електроінструменту. При наявності пошкодження, відремонтуйте електроінструмент перед використанням. Багато нещасних випадків є наслідком поганого догляду за електроінструментом.
- f. Тримайте ріжучий інструмент гострим і чистим. Добре доглянутий ріжучий інструмент з гострими ріжучими крайками легше контролювати.
5. Обслуговування
- a. Забезпечте, щоб обслуговування і ремонт вашого електроінструменту проводився в авторизованому сервісному центрі по ремонту з використанням тільки оригінальних запасних частин. Це стане гарантією безпеки електроінструменту.




Вказівки з техніки безпеки для шуруповерта

При виконанні операцій, під час яких ріжучий інструмент може контактувати з прихованими кабелями чи власним кабелем електроживлення тримайте електроінструмент

за спеціальні ізольовані поверхні. Кріпильні елементи, що контактують з проводом під напругою можуть подати напругу на відкриті металеві частини електроінструменту і це може призвести до ураження оператора електричним струмом.

Етикетки на інструменті

Етикетки на вашому інструменті можуть включати такі символи:

	Читайте інструкції з експлуатації	Гц Герц	 Конструкція класу II
	Використовуйте засоби захисту очей	Вт Ватт	 Термінал заземлення
	Використовуйте засоби захисту органів слуху	мин хвилини	 Символ попередження про небезпеку
			обороти або зворотно поступальний рух в хвилину
			
		В Вольт	хв.	
		А Ампер	п ₀ Швидкість без навантаження	


Положення дати штрих-коду


Дата коду, який також включає рік виготовлення, друкується на корпусі.

Приклад:

2014 XX JN
Рік виготовлення

7. Електрична безпека


 Ваш інструмент має подвійну ізоляцію, саме в цьому зв'язку заземлюючий провід не потрібен. Завжди перевіряйте, що напруга мережі відповідає напрузі, вказаній на таблиці.

 **Увага!** Якщо шнур живлення пошкоджений, він повинен бути замінений виробником в авторизованому сервісному центрі STANLEY або кваліфікованим фахівцем для того, щоб уникнути пошкодження або травми. Якщо шнур живлення замінений кваліфікованим фахівцем, не уповноваженим STANLEY, гарантія не діятиме.

Опції (Мал. А)

1. Обмежувач глибини
2. Регулятор глибини
3. Зажим для кріплення до поясного ремня
4. Перемикач вперед / назад
5. Варіатор швидкості
6. Кнопка блокування

Певні правила техніки безпеки

 **Обережно!** Вивчіть ваш шурупверт для гіпсокартону. Не приєднуйте інструмент до джерела живлення, поки ви не прочитали і зрозуміли цю інструкцію з експлуатації. Дізнайтеся про сферу застосування інструменту і обмеженнях, а також певних потенційних небезпек, пов'язаних з цим інструментом.

- Виконання цього правила знизить ризик ураження електричним струмом, виникнення вогню або серйозної травми.
- Завжди надягайте захисні окуляри. Будь-який електроінструмент може стати причиною потрапляння сторонніх об'єктів у ваші очі і призвести до незворотного пошкодження очей. ЗАВЖДИ надягайте захисні окуляри (не очки для корекції зору), які відповідають стандарту безпеки ANSI Z87.1. Повсякденні окуляри забезпечені тільки удароміцними лінзами. Вони НЕ Є захисними окулярами



Обережно! Окуляри для корекції зору або сонцезахисні окуляри, що не відповідають вимогам ANSI Z87.1, можуть призвести до серйозних травм, якщо вони ламаються.

- Ніколи не використовуйте шурупверт для гіпсокартону для закручування шурупів іншого типу, ніж саморізи. Шурупверт для гіпсокартону та насадки для шурупверта призначені саме для закручування саморізів.
- Використовуйте насадки для шурупверта, які призначені для використання з даним інструментом.
- Завжди тримайте руки подалі від шляху саморізу. Уникайте незручних положень рук, коли раптово ковзання може привести вашу руку на шлях руху пилкового диска.
- Переконайтеся у відсутності цвяхів або сторонніх предметів в частині деталі, яка буде піддаватися різанню або шліфуванню.
- Щоб уникнути травм від випадкового включення, завжди виймайте вилку з розетки, перш ніж встановлювати або витягувати насадку для шурупверта або під час регулювання глибини.
- Завжди перевіряйте зону стіни, куди вкручуються шурупи, щоб переконатися у відсутності будь-яких прихованих електричних проводів в даній зоні.
- Ніколи не залишайте кнопку фіксації в положенні ВКЛ (ON). Перед підключенням інструменту до джерела живлення, переконайтеся, що кнопка фіксації в положенні ВИКЛ (OFF).

Вказівки з техніки безпеки загального характеру



Обережно! Одягайте протипиловий респиратор, який призначений для використання при роботі з електроінструментом в заповишеному середовищі.



Обережно! Пил, який створюється при механічній шліфовці, розпилі, шліфуванні, свердлінні та інших будівельних роботах може містити речовини, які, як відомо, викликають рак, вроджені дефекти або інші генетичні аномалії. До них відносяться:

- Свинець з свинцевих фарб
- Кристалічний кремнезем з цегли, цементу та інших стінових блоків

- Миш'як і хром з хімічно оброблених пиломатеріалів

Рівень ризику від впливу цих речовин коливається, у зв'язку з тим, як часто виконується цей тип роботи. Для того, щоб скоротити вплив цих хімічних речовин, працюйте в добре провітрюваному приміщенні і використовуйте схвалені технічні засоби забезпечення безпеки, наприклад, респиратор, який призначений саме для фільтрування мікроскопічних часток.

Безпечний подовжувач



Обережно! Уникайте потрапляння подовжувача в робочу зону. Розташуйте шнур, щоб він не потрапляв на заготовку, інструменти або будь-які інші перешкоди, поки ви працюєте з електроприладами.

Переконайтеся в хорошому стані будь-якого подовжувача, що використовується з цим інструментом. При використанні подовжувача переконайтеся, що використовуєте провід достатнього перетину, здатний витримати робочий струм інструменту. Шнур недостатнього перетину може викликати падіння напруги, що призводить до втрати потужності і перегріву.

Переконайтеся, щодо вашого подовжувача чи правильно він підключений і знаходиться у хорошому стані. Завжди замінюйте пошкоджений подовжувач або перед його використанням віддайте його в ремонт кваліфікованому електрику. Захищайте свій подовжувач від гострих предметів, високих температур і впливу вологості або вологи.

Використовуйте окремий електричний ланцюг для ваших електроінструментів. У цьому ланцюзі має використовуватися дріт не менше, ніж 14 калібру, який має бути захищений запобіжниками (15 А) з тимчасовою затримкою або автоматом захисту ланцюга Перед підключенням електроінструменту до джерела живлення, переконайтеся, що перемикач знаходиться в положенні ВИКЛ (OFF) і джерело живлення відповідає зазначеному на таблиці. Запуск при зниженій напрузі може призвести до пошкодження двигуна.

Вміст упаковки

Обережно розпакуйте шурупверт для гіпсокартону. Порівняйте вміст з таблицею компонентів шурупверта для гіпсокартону.

Монтаж і експлуатація



Обережно! Щоб уникнути виникнення вогню або токсичної реакції, для очищення інструменту ніколи не використовуйте бензин, газ, ацетон, розчинник для лаку і подібні легколетючі розчинники.

Перемикач вперед/назад (Рис. В)

Перемикач вперед/назад (forward/reverse) (4) зручно встановлений в передній частині варіатора швидкості (5). Для того, щоб шурупверт обертався за годинниковою стрілкою для вкручування шурупів, пересуньте перемикач вперед/назад (forward/reverse) (4) вліво. Для того, щоб шурупверт обертався за годинниковою стрілкою для вкручування шурупів, пересуньте перемикач вперед/назад (forward/reverse) (4) вправо.

Примітки:

- Ніколи не міняйте положення перемикач вперед/назад (forward/reverse) (4) поки шурупверт обертається.
- Варіатор швидкості (5) НЕ БУДЕ працювати, якщо перемикач вперед/назад (forward/reverse) (4) знаходиться в середньому положенні.

Варіатор швидкості (Мал. С)

Шурупверт забезпечений варіатором швидкості Вкл\Викл (On/Off).

- Щоб запустити шурупверт, акуратно натисніть на варіатор швидкості (5).

Примітка: Якщо варіатор швидкості злегка натиснуто, то шурупверт буде працювати на самій повільній швидкості. Якщо варіатор швидкості натиснуто сильно, то шурупверт буде працювати на найшвидшій швидкості.

- Щоб зупинити шурупверт, відпустіть варіатор швидкості (5).

Кнопка фіксації (Рис. D)

Кнопка фіксації дозволяє зафіксувати курковий перемикач в положенні ВКЛ (ON) на повній швидкості, коли необхідна безперервна робота протягом тривалого періоду часу.

Щоб зафіксувати кнопку фіксації в положенні ВКЛ (ON), потягніть назад варіатор швидкості (5), щоб запустити шурупверт і втисніть кнопку фіксації (6) в рукоятку шурупверта. Відпустіть варіатор швидкості, утримуючи кнопку фіксації в рукоятці шурупверта. Шурупверт продовжить працювати. Щоб відпустити кнопку фіксації, потягніть назад варіатор швидкості (5) і потім відпустіть варіатор.

Примітка: Експлуатація шурупверта з варіатором швидкості протягом тривалого періоду часу може призвести до перегріву двигуна шурупверта. Якщо шурупверт нагрівається, припиніть вкручування і дайте йому охолонути протягом, принаймні, 15 хвилин.

Установка насадки шурупверта (Рис. E)

Цей інструмент забезпечений магнітним утримувачем насадки, що забезпечує зручність заміни насадки. Щоб встановити насадку, просто вставте шестигранний хвостовик насадки (7) в магнітний тримач насадки (8), який знаходиться всередині обмежувача глибини (1). Втисніть трохи насадку в магнітний тримач насадки, поки магніт НЕ зафіксує насадку на місці.

Примітки:

- Використовуйте тільки насадки довжиною 1 "(25 мм), які призначені для закручування саморізів.
- Переконайтеся, що розмір правильно підібраний для саморізів. Зазвичай це розмір № 2.

Заміна магнітного утримувача насадки (Рис. F)

Якщо магнітний тримач насадки зношений або пошкоджений, його має бути замінено. Тримач насадки повинен бути з тих же розмірів, як і оригінал, мати утримуючу канавкою ANSI канавку на кінцівці, яка вставлена в інструмент.

- Зніміть наконечник (2), повернувши його проти годинникової стрілки.

Примітка: Не використовуйте плоскогубці при операціях з насадкою. Використовуйте тільки руки.

- Візьміть насадку шурупверта (7) плоскогубцями і витягніть його з магнітного тримача насадки (8).
- Візьміться за великий кінець держателя насадки плоскогубцями і витягніть її із шпінделя шурупверта (9).
- Виконайте процес у зворотному порядку, вставивши магнітний тримач насадки на інструмент.

Примітка: При заміні магнітного утримувача насадки, м'яко посадіть його на місце, щоб переконатися, що він повністю вставлений. Візьміться за великий кінець держателя насадки плоскогубцями, щоб гарантувати утримання утримуючою канавкою (10) магнітного утримувача насадки в інструменті на необхідному місці.

- Встановіть на місце насадку шурупверта і голівку.

Рекомендації з техніки безпеки

Перевірте наступне кожен раз, коли ви використовуєте шурупверт:

- Одягайте захисні окуляри або маску
- Використовуйте засіб захисту слуху.
- Розмір насадки шурупверта обраний відповідно і вона в доброму стані.
- Там, де ви вкручувати саморізи, відсутні дроти під напругою.

Примітка: Недотримання цих правил техніки безпеки значно підвищує ризик отримання травми.

Регулювання глибини насадки шурупверта (Рис. G)

Важливо контролювати глибину, на яку саморіз вкручується в гіпсокартон. Занадто глибоке вкручування саморіза зруйнує зовнішній шар паперу гіпсокартону. При недостатній глибині вкручування головка саморізу буде виступати над поверхнею гіпсокартону, унеможливаючи подальшу обробку поверхні гіпсокартону.

Система контролю глибини складається з обмежувача глибини (1) і регулятора глибини (2).



Обережно! Наступні налаштування завжди повинні бути перевірені за допомогою шматка гіпсокартону, щоб уникнути пошкодження "добрих" листів гіпсокартону.

1. Поверніть регулятор глибини проти годинникової стрілки поки приблизно 1/4" насадки шурупверта вийде за межі обмежувача глибини.
2. Помістіть саморіз в насадку шурупверта. Намагнічена насадка буде утримувати саморіз на насадці.

Примітка: Перед початком загвинчування шурупа, втисніть кінчик шурупа в гіпсокартон і переконайтеся, що шуруп перпендикулярний гіпсокартону.

3. Вдавлюйте шуруп в гіпсокартон, надаючи рівномірний тиск і натисніть курковий перемикач. Муфта інструменту запуститься і шуруп буде загвинчений на задану глибину.
4. Якщо шуруп не буде вкручений досить глибоко, головка шурупверта не буде утоплена в гіпсокартон (Рис. H). У цьому випадку поверніть регулювальну втулку за годинниковою стрілкою до досягнення необхідної глибини. Якщо шуруп вкручений занадто глибоко, він буде занадто втоплений в гіпсокартон і зовнішній шар паперу гіпсокартону буде зруйновано (Рис. I). У цьому випадку, поверніть регулювальну втулку проти годинникової стрілки до тих пір, поки не буде досягнута відповідна глибина. Рис. J ілюструє відповідну глибину закручування шурупу.

Примітка: При кожному оберті регулювальної втулки глибина збільшиться / зменшиться приблизно на 1/16" (1,6 мм).

Поради з закручування саморізів

Завжди закручуйте гвинти перпендикулярно гіпсокартону так, щоб головки ховалися належним чином. Вони ніколи не повинні закручуватися під кутом.

- Підтримуйте інструмент обома руками, коли це можливо. Це забезпечить кращий контроль над інструментом, допомагаючи уникнути закручування шурупів під кутом.

- Помістіть саморіз в насадку шурупверта. Магнітний тримач насадки утримує будь-який сталевий шуруп, полегшуючи запуск.
- Вдавлюйте шуруп в гіпсокартон з рівномірним тиском, і натисніть курковий перемикач. Муфта інструменту запуститься і шуруп буде загвинчено на задану глибину. Після повного закручування, муфта створюватиме стукаючі звуки, поки не буде відпущено варіатор швидкості.
- Коли шуруп правильно закручено, головка шурупа буде злегка втоплена в гіпсокартон, не розриваючи зовнішній шар паперу гіпсокартону. У цей момент муфта відпустить, щоб уникнути надмірного закручування шурупа. Це призведе до того, що операції щодо заповнення отворів і обклеювання стрічкою швів буде мінімальною.
- Зажим для кріплення до поясного ремня дозволяє зручно кріпити шурупверт на ремені. Це дозволить вам використовувати обидві руки для позиціонування гіпсокартону.

Видалення саморізів (Рис. K)

Для видалення саморізів зніміть обмежувач глибини свердління (1), щоб відкрити доступ до насадки шурупверта.

Примітки:

- a. Обмежувач глибини є запресованим елементом регулятора глибини (2). Щоб зняти його просто повертайте і стягуйте регулятор глибини
- b. Ви також можете повертати регулятор глибини за годинниковою стрілкою, щоб звільнити насадку шурупверта. Це, однак, призведе до того, що настройка глибини зіб'ється і вам доведеться повторно встановлювати глибину.

Обслуговування

Очищайте, наскільки це можливо, пил і бруд з запобіжних щитків, вентиляційних отворів і корпусу двигуна. Протріть чистою тканиною і продміть повітрям низького тиску. Надмірне накопичення металевих пилю може призвести до розрядів електричного струму від внутрішніх частин до відкритих металевих частин. Не перевантажуйте кутову шліфувальну машину. Перевантаження призводить до зниження швидкості та ефективності, в результаті чого ваш кутова шліфувальна машина перегрівається. Якщо це відбудеться, дозвольте кутовій шліфувальній машині працювати на холостому ходу протягом однієї або двох хвилин, поки вона не охолоне до нормальної робочої температури. Вимкнення вашої кутової шліфувальної машини під навантаженням може скоротити термін служби викидача.



Обережно! При виконанні технічного обслуговування використовуйте тільки ідентичні запасні частини. Використання будь-якої іншої деталі може стати причиною виникнення небезпеки або пошкодження обладнання.

- НЕ використовуйте розчинники для очищення пластмасових деталей. Пластмаси можуть бути пошкоджені при використанні різних типів розчинників, що доступні у торговельній мережі. Використовуйте чисту тканину, щоб видалити бруд, пил, масло, жир і т.д.



Обережно! Не допускайте контакту пластикових деталей з гальмізною рідиною, бензином, продуктами на основі нафти, проникаючими маслами і т.д. Вони містять хімічні речовини, які можуть зашкодити, послабити або зруйнувати пластик.

- Регулярно видаляйте накопичені пил і сміття, використовуючи М'ЯКУ і СУХУ щітку.



Обережно! Використовуйте захисні окуляри за допомогою повітряного струменя, щоб видути пил з інструменту. Утримуйте вентиляційні отвори чистими і незасміченими для забезпечення максимального повітряного потоку через інструмент.

- НЕ використовуйте електроінструменти з порушенням встановлених режимів. Неналежні дії можуть призвести до пошкодження інструменту і заготовки.



Обережно! НЕ намагайтеся модифікувати інструменти або створювати насадки. Будь-яка таке зміна або модифікація є неналежним використанням і може призвести до небезпечної ситуації, що веде до можливої серйозної травми. Це також призведе до скасування гарантії.

Змащування

Всі підшипники в цьому інструменті змащуються достатньою кількістю високортноної змазки для експлуатації пристрою при нормальних умовах. Додаткова змазка не потрібна.

Очищення

Використовуйте тільки м'яке мило і вологу тканину, щоб очистити вашу кутову шліфувальну машину. Багато побутових миючих засобів містять хімічні речовини, які можуть серйозно пошкодити пластик. Крім того, не використовуйте бензин, скипидар, лак або розчинники для фарби або подібні продукти. Ніколи не допускайте попадання рідини всередину інструменту і ніколи не

опускайте яку-небудь деталь інструменту в рідину.



Важливо! Щоб гарантувати БЕЗПЕКУ і НАДІЙНІСТЬ, ремонт, технічне обслуговування і регулювання (крім тих, які перераховані в цьому посібнику) повинні виконуватися авторизованими сервісними центрами або іншим кваліфікованим обслуговуючим персоналом завжди з використанням ідентичних запасних частин.

Характеристики

STDR5206	
Потужність	520 Вт
Напруга	220-240 В
Частота	50/60 Гц
Число обертів на холостому ході	0-4500/хв (обертів за хвилину)
Вага	3.3 фунти (1.45 кг)

Повна гарантія терміном на два роки



Роздільний збір і утилізація. Цей продукт не слід утилізувати разом з побутовим сміттям.

Якщо ви зрозумієте, що ваш продукт Stanley потребує заміни, або якщо він не має ніякого подальшого застосування для вас, не викидайте його разом з побутовими відходами. Надайте цей продукт для роздільного збору/утилізації.



Роздільний збір продуктів і упаковок дозволяє здійснити їх переробку і використати їх повторно.

Повторне використання перероблених матеріалів допомагає захищати довкілля від забруднення і знижує витрату сировинних матеріалів.

Місцеве законодавство може забезпечити збір старих електроінструментів окремо від побутового сміття на муніципальних звалищах відходів або в торговому підприємстві при купівлі нового виробу. Stanley забезпечує можливість для збору і утилізації продуктів Stanley, як тільки вони досягли кінця свого терміну служби. Для того, щоб скористатися цією послугою, ви можете здати ваш виріб у будь-який авторизований сервісний центр, який збирає їх за нашим дорученням.

Ви можете упізнати місце знаходження вашого найближчого авторизованого сервісного центру, звернувшись в місцеве відділення Stanley за адресою, вказаною в цьому керівництві. Крім того, список авторизованих ремонтних агентів Stanley і повну інформацію про наше післяпродажне обслуговування і контакти ви можете знайти в Інтернеті: www.2helpu.com10

Два рік повної гарантії

Якщо ваш продукт STANLEY виходить з ладу із-за дефектних матеріалів або виготовлення впродовж 24 місяців з дати купівлі, STANLEY Europe гарантує заміну усіх несправних деталей безкоштовно або - на власний розсуд - заміну продукту безкоштовно за умови, що:

- Продукт використовувався правильно, його експлуатація проводилася строго відповідно до інструкції з експлуатації.
- Продукт піддавався звичайному зносу;
- Ремонт не проводився сторонніми особами;
- Представлені документи, що підтверджують купівлю.
- Продукт STANLEY повертається в повному комплекті з усіма оригінальними компонентами

Якщо ви хочете зробити заявку, зв'яжіться з продавцем або з'ясуйте місце знаходження вашого найближчого авторизованого сервісного агента Stanley в каталозі Stanley або зверніться в місцеве представництво Stanley за адресою, вказаною в цьому посібнику. Список авторизованих сервісних агентів Stanley і повну інформацію про наше післяпродажне обслуговування можна знайти в Інтернеті за адресою: www.stanleytools.com

STANLEY

Гарантійні умови

Шановний покупець!

1. Вітаємо Вас з покупкою високоякісного виробу STANLEY і висловлюємо вдячність за Ваш вибір.
2. При покупці виробу вимагайте перевірки його комплектації і справності у Вашій присутності, інструкцію з експлуатації та заповнений гарантійний талон українською мовою

В гарантійному талоні повинні бути внесені: модель, дата продажу, серійний номер, дата виробництва інструменту; назва, печатка і підпис торгової організації. За відсутності у Вас правильно заповненого гарантійного талону, а також при невідповідності зазначених у ньому даних ми будемо змушені відхилити Ваші претензії щодо якості даного виробу.

3. Щоб уникнути непорозумінь, переконливо просимо Вас перед початком роботи з виробом уважно ознайомитися з інструкцією з його експлуатації. Правовою основою справжніх гарантійних умов є чинне Законодавство. Гарантійний термін на даний виріб складає 24 місяці і обчислюється з дня продажу. У разі усунення недоліків виробу, гарантійний строк продовжується на період його перебування в ремонті. Термін служби виробу становить 5 років з дня продажу.
4. У разі виникнення будь-яких проблем у процесі експлуатації виробу рекомендуємо Вам звертатися тільки в уповноважені сервісні центри STANLEY, адреси та телефони яких Ви зможете знайти в гарантійному талоні, на сайті www.2helpU.com або дізнатися в магазині. Наші сервісні станції - це не тільки кваліфікований ремонт, але і широкий асортимент запчастин і аксесуарів.
5. Виробник рекомендує проводити періодичну перевірку і технічне обслуговування виробу в уповноважених сервісних центрах.
6. Наші гарантійні зобов'язання поширюються тільки на несправності, виявлені протягом гарантійного терміну і викликані дефектами виробництва та \ або матеріалів.
7. Гарантійні умови не поширюються на несправності виробу, що виникли в результаті:
 - 7.1 Недотримання користувачем приписів інструкції з експлуатації виробу, застосування виробу не за призначенням, неправильного зберігання, використання приладдя, витратних матеріалів і запчастин, що не передбачені виробником.
 - 7.2 Механічного пошкодження (відколи, тріщини і руйнування) внутрішніх і зовнішніх деталей виробу, основних і допоміжних рукояток, мережевого кабелю, що викликані зовнішнім ударним або будь-яким іншим впливом

- 7.3 Потраплення у вентиляційні отвори та проникнення всередину виробу сторонніх предметів, матеріалів або речовин, що не є відходами, які супроводжують застосування виробу за призначенням, такими як: стружка, тирса, пісок, та ін.
- 7.4 Впливу на виріб несприятливих атмосферних і інших зовнішніх факторів, таких як дощ, сніг, підвищена вологість, нагрівання, агресивні середовища, невідповідність параметрів електромережі, що зазначені на інструменті.
- 7.5 Стихійного лиха. Пошкодження або втрати виробу, що пов'язані з непередбаченими лихами, стихійними явищами, у тому числі внаслідок дії непереборної сили (пожежа, блискавка, потоп і інші природні явища), а також внаслідок перепадів напруги в електромережі та іншими причинами, які знаходяться поза контролем виробника.
8. Гарантійні умови не поширюються:
 - 8.1. На інструменти, що піддавались розкриттю, ремонту або модифікації поза уповноваженим сервісним центром.
 - 8.2. На деталі, вузли та матеріали, що мають сліди природного зносу, такі як: приводні ремені і колеса, вугільні шітки, мастило, підшипники, зубчасті зчеплення редукторів, гумові ущільнення, сальники, направляючі ролики, муфти, вимикачі, бойки, штовхачі, стволи тощо.
 - 8.3. На змінні частини: патрони, цанги, затиски гайки і фланці, фільтри, акумуляторні батареї, ножи, шліфувальні підшови, ланцюги, зірочки, пильні шини, захисні кожухи, пилки, абразиви, пильні і абразивні диски, фрези, свердла, бури тощо
 - 8.4. На несправності, що виникли в результаті переважання інструменту (як механічного, так і електричного), що спричинили вихід з ладу одночасно двох і більше деталей і вузлів, таких як: ротора і статора, обох обмоток статора, веденої і ведучої шестерень редуктора або інших вузлів і деталей. До безумовних ознак переважання виробу відносяться, крім інших: поява кольорів мінливості, деформація або оплавлення деталей і вузлів виробу, потемніння або обуглювання ізоляції проводів електродвигуна під впливом високої температури.



Виробник:
"Stanley Black & Decker Deutschland GmbH" Black-&-Decker Str.40, D-65510 Idstein, Німеччина