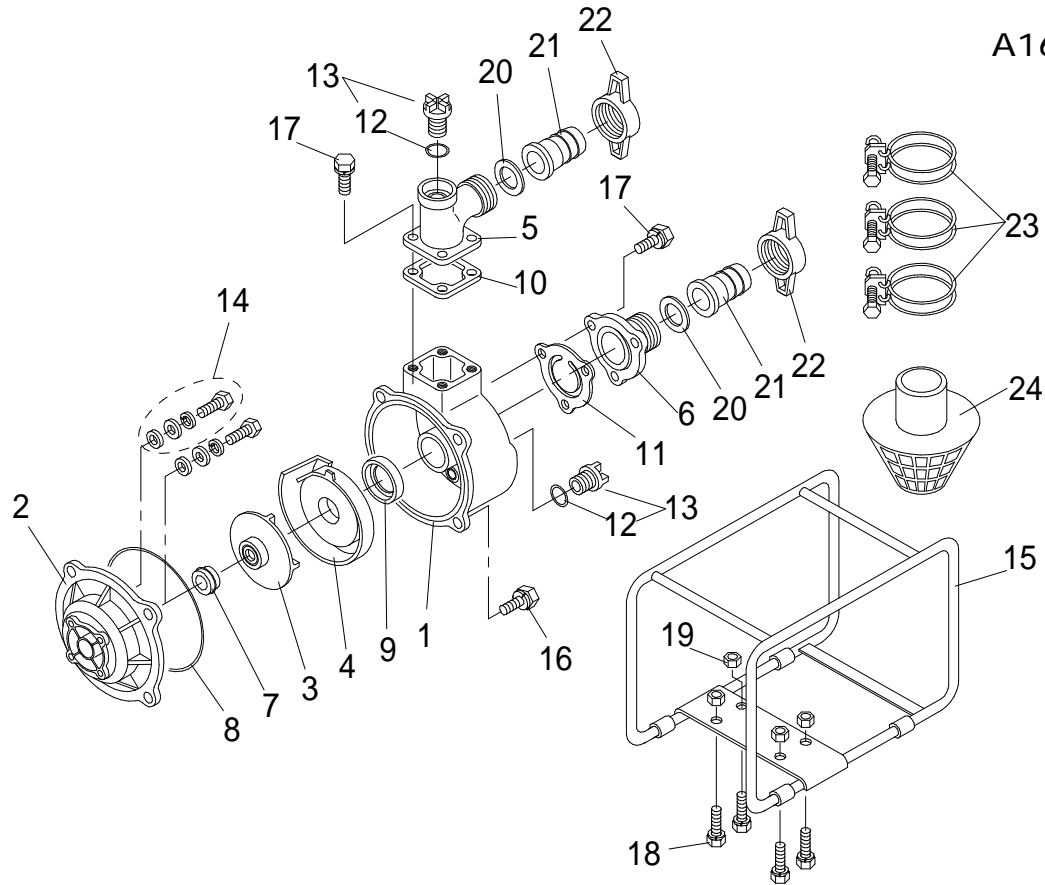
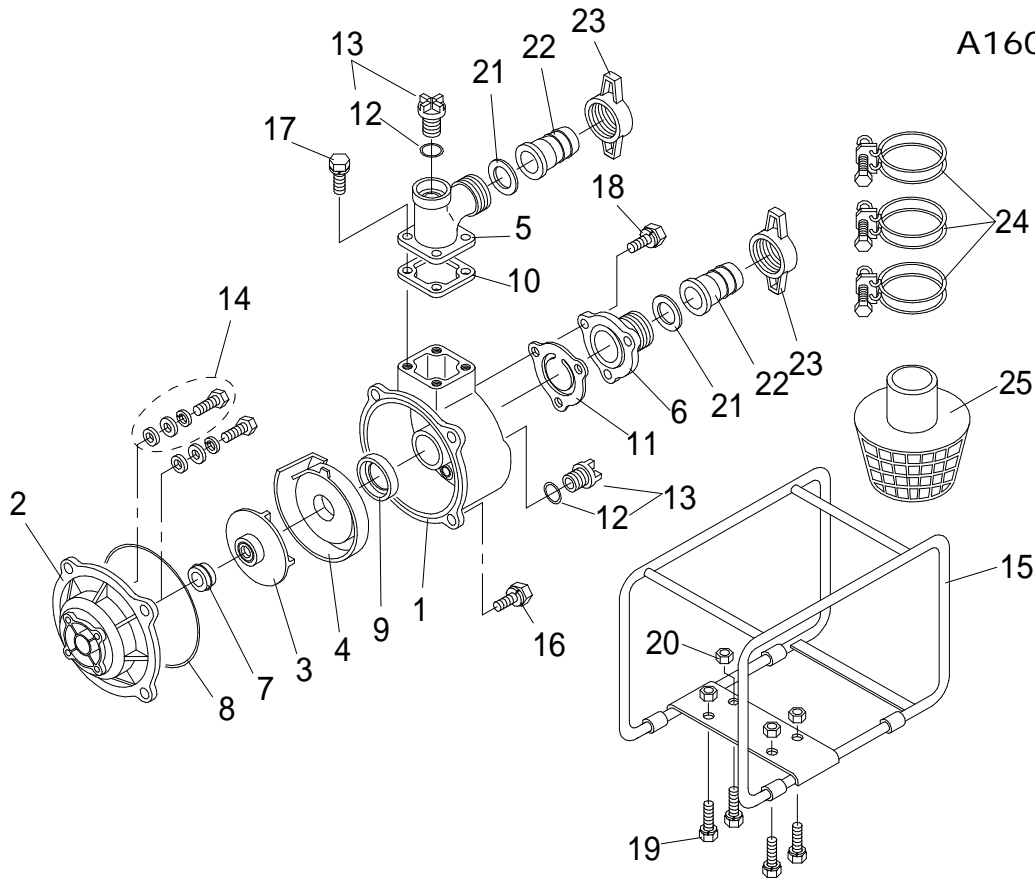


A160E



REF No.	Parts No.	Parts name	Q'ty	Price	Remarks	%
	ENGINE	HONDA GX160	1	-		
1	200 200 140	CASING	1	¥5,160	OEL-50	1
2	200 200 770	CASING COVER	1	¥3,000		1
3	200 210 220	IMPELLER	1	¥1,960		1
4	200 210 010	INNER CASING	1	¥2,320		1
5	200 200 560	BEND	1	¥1,650	EX-LOW-PF	1
6	200 200 230	VALVE CASE	1	¥1,020	EX-PF	1
7	201 100 031	MECHANICAL SEAL	1	¥2,260		5
8	200 800 180	O-RING	1	¥240	W1517-45	5
9	200 900 240	PACKING, INNER CASING	1	¥120		2
10	200 900 170	PACKING, BEND	1	¥130		1
11	200 900 120	CHECK VALVE	1	¥750		2
12	200 800 020	O-RING	(2)	¥40	P-24	5
13	200 500 040	PLUG ASSY	2	¥100		1
14	203 000 100	CASING BOLT ASSY	4	¥80	M8 x 50	1
15	200 100 050	FRAME (BLACK)	1	¥6,920		1
16	203 000 080	HEX.BOLT	4	¥50	M10 x 30 P=2	1
17	203 000 040	HEX.BOLT	7	¥30	M8 x 25 P=2	1
18	203 000 070	HEX.BOLT	4	¥30	M8 x 40 P=2	1
19	203 200 010	FLANGE NUT	4	¥20	M8	1
20	200 900 050	PACKING, COUPLING	2	¥40	NBR	5
21	200 500 090	HOSE COUPLING	2	¥120	ABS	2
22	200 500 070	HOSE COUPLING HANDLE	2	¥530	PF2	2
23	201 000 040	HOSE BAND	3	¥100	2"	2
24	201 200 030	STRAINER	1	¥440	2"J	2

A160EA



REF No.	Parts No.	Parts name	Q'ty	Price	Remarks	%
	<b>ENGINE</b>	<b>HONDA GX160</b>	<b>1</b>	<b>-</b>		
1	200 200 180	CASING	1	¥6,950	OEL-80	1
2	200 200 770	CASING COVER	1	¥3,000		1
3	200 210 180	IMPELLER	1	¥2,080		1
4	200 210 020	INNER CASING	1	¥2,360		1
5	200 200 260	BEND	1	¥2,120	PF3	1
6	200 200 270	VALVE CASE	1	¥1,350	PF3	1
7	201 100 031	MECHANICAL SEAL	1	¥2,260		5
8	200 800 180	O-RING	1	¥240	W1517-45	5
9	200 900 180	PACKING, INNER CASING	1	¥220		2
10	200 900 190	PACKING, BEND	1	¥190		1
11	200 900 110	CHECK VALVE	1	¥920		2
12	200 800 020	O-RING	(2)	¥40	P-24	5
13	200 500 040	PLUG ASSY	2	¥100		1
14	203 000 100	CASING BOLT ASSY M8x50	4	¥80	M8 x 50	1
15	200 100 050	FRAME (BLACK)	1	¥6,920		1
16	203 000 080	HEX.BOLT	4	¥50	M10 x 30 P=2	1
17	203 000 050	HEX.BOLT	4	¥40	M8x25 P=3	1
18	203 000 060	HEX.BOLT	3	¥40	M8x30 P=3	1
19	203 000 070	HEX.BOLT	4	¥30	M8x40 P=2	1
20	203 200 010	FLANGE NUT	4	¥20	M8	1
21	200 900 060	PACKING, COUPLING	2	¥90	NBR	5
22	200 500 100	HOSE COUPLING	2	¥350	ABS	2
23	200 200 250	HOSE COUPLING HANDLE	2	¥980	PF3	2
24	201 000 060	HOSE BAND	3	¥150	3"	2
25	201 200 050	STRAINER	1	¥830	3"J	2

No2R-07378(2/2)  
2008/9/4