

Operating manual
Ground drill
Model: GroundDrill - 1



Table of contents

1. Introduction	3
2. Features.....	3
3. Specifications.....	4
4. Precautions.....	4
5. The selection of appropriate auger.....	6
6. Starting engine.....	6
7. Air filter.....	7
8. Spark plug	7
9. Gear	8
10. Fuel filter.....	8
11. Muffler cleaning.....	8
12. Long term storage.....	9
13. Maintenance.....	9
14. Warranty	10
15. Exceptions from responsibility	10

Appendix 1. “Warranty card”.

Appendix 2. “Certificate of acceptance and sale”.

1. Introduction

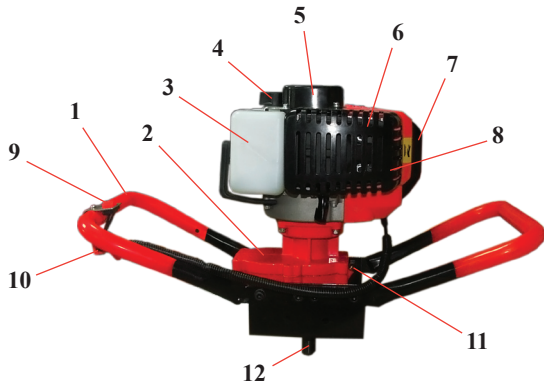
Thanks for the purchase of ADA Instruments product. Before starting operation read carefully the operating manual. Keep it always at hand. ADA Instruments product has ergonomic design. It provides usability, high power and productivity.

Content of the operating manual may not fully correspond to the purchased instrument.

Manufacturer has a right to make changes in the configuration of some parts without previous notice.

2. Features

1. Handle
2. Reduction gear
3. Fuel tank
4. Fuel tank cap
5. Return starter
6. Air filter
7. Spark plug cap
8. Muffler
9. Ignition starter switch
10. Choking starting arrangement
11. Lubrication hole
12. Input drive



Specifications

Engine	2-stroke engine, air-cooled
Engine capacity	43 cm ³
Power	1200 Wt / 1,7 h.p.
Fuel tank capacity	0,8 L
Air-fuel mixture (fuel/oil)	25 :1
Auger length/diameter	800/100 mm
Weight (with auger/without auger)	9,5 / 11 kg

Precautions

1. Only adults can use ground drill.
2. Users can't operate ground drill if they didn't read the operating manual.
3. Don't use ground drill if you are tired or under the influence of alcohol or drugs.
4. Ensure that anyone who uses the instrument is familiar with all controls and safety precautions.
5. Wear non-slip protective shoes, protective gloves, glasses, earmuffs and helmet .
6. When you use the instrument don't wear scarfs and jewellery.

7. Don't start operation, until you are sure that the working area is clean. Keep flames and sparks from engine and fuel to prevent fire.
8. Never run engine in a poorly ventilated area where the exhaust fumes may be trapped and not easily taken away.
9. Move ground drill without power, detach the auger.
10. Replace auger if there are cracks and damages on it.
11. Use the mixture of fuel with octane level 92 and oil for 2 -stroke engines, in the ratio 25:1.
12. Never fill your fuel tank with the engine running. Stop engine and allow to cool before filling. Keep the engine from flames and sparks. Never smoke while you fill your fuel tank.
13. Never remove the fuel cap with the engine running. Always keep (min 3m) the instrument (before starting) from the area with spilled fuel.
14. Always keep the handles of the instrument dry and clean.
15. Before starting ensure that auger is not locked.
16. Never touch auger and don't do servicing with engine running.
17. After you start the engine or before you stop working let the engine work at no load 2-3 min. Never stop suddenly the engine at great speed.
18. Keep the instrument with both hands. Keep all parts of your body away from the auger and muffler.
19. Move the instrument during operation at no load.
20. Never touch the coating of spark plug or wire if the engine is running. Or electric shock may occur.
21. Store the instrument in an upright position with empty fuel tank.
22. Regularly check, adjust, repair and clean the instrument.
23. Don't disassemble return starter. You can be seriously hurt.
24. Contact service center for maintenance that is not mentioned in this manual.
25. If your instrument is not suitable for use any more, dispose of it. Make sure that you don't do damage to the environment.

The selection of appropriate auger

Choose the twist drill according to the material you are going to work with. In case of drilling ice, choose ice auger. In case of drilling ground, use ground auger. Set output shaft into the auger hole and fix it with appropriate pin.

Fuel

Ground drill is equipped with 2-stroke engine. Always mix fuel with oil. Fuel must be mixed in a clean container outside in a well ventilated area. Always use unleaded gasoline with octane number ≤ 92 with 2 cycle oil, 25:1 ratio.

Fill fuel container 1/2 full of recommended. Then add recommended amount of oil. Shake fuel mixture. Then add the rest amount of fuel. Shake carefully fuel mixture before to add mixture to the fuel tank.

Always shut-off engine before fill the fuel tank. Open fuel tank slowly. After filling the fuel tank tight the tank cap.

Always keep the instrument 3 m away from the place where you are going to fill the fuel tank. Clean the area around tank cap.

Starting engine

1. Move ignition starter switch to the ON position.
2. Push several times on the primer bulb (If you have it). When using the primer bulb, allow the bulb to return completely to its original position between pushes.
3. Pull return starter with a rapid full arm stroke.
4. After engine starts running, return throttle lever to the RUN position. Then pull again the return starter.

NOTE! If the engine fails to start, repeat these steps 2-3 times.

Drilling

1. Hold handle tight with both hands
2. Place the auger on the place where you are going to drill and start the engine.
3. If you feel unnatural vibrations or hear unwanted sounds, stop engine and check the instrument.

4. Stop. Slow down the engine and move ignition starter switch to the STOP position.

Air filter

Clean air filter from dust and dirt to avoid:

1. Carburetor trouble
2. Start troubles
3. Reduction of engine power
4. Excessive wearing of the engine parts
5. Unwanted fuel flow. Clean filter daily in extremely dusty conditions.

Air filter cleaning

Demount cap of the air filter and filter. Wash in warm water with mild soap until dirt and debris are removed. Dry filter with a clean cloth. Replace regularly filter by new one. Replace filter if it's defective.

Spark plug

Following factors influence on the spark plug:

1. Incorrect carburetor adjustment
2. Wrong fuel mixture (too much oil in the fuel)
3. Dirty air filter
4. Unfavourable working conditions

These factors cause difficulties on the electrodes of spark plug.

If engine power drops, there are difficulties to start it or it runs bad at no load - first check the spark plug. Clean the spark plug if it's dirty. Check electrode gap. If necessary, make readjustment. Electrode gap should be 0.6mm.

Gear

Every 50 h of operation check lubricant level in the gear or gear system by way of disposal of priming plug for lubricant on the side of gear. If you don't see lubricant on the gear wheels, fill the gear 3/4 with universal lithium grease. Don't fill the gear fully.

Fuel filter

Remove fuel from the fuel tank into an approved fuel container and take out a lign of fuel filter from the fuel tank. Take out filter element and wash it with warm warter with detergent. Dry the element on the air.

Replace the fuel filter If it's hard and very dirty.

Muffler cleaning

Demount muffler and spark gap switch (if you have it) and remove exhaust carbon from exhaust port or entrance of the muffler every 100h of operation.

Long term storage

Remove all fuel from the fuel tank. Start the engine and let it run until it stops. Repair all damages that appeared during operation. Clean the instrument with clean cloth. Add some drops of 2 cycle oil into the cylinder through the hole in the spark plug and run the engine.

Store ground drill in dry place.

Maintenance

Maintenance, replacement and repair can be done in the authorized service center.

DAILY MAINTENANCE

Check your ground drill for the presence of cracks.

Check the centering.

Auger with bad centering has strong vibration and it can damage the instrument.

Check nuts and screws.

WEEKLY MAINTENANCE

Check starter and pullback spring.

Clean spark plug, outer surface and air filter.

MONTHLY MAINTENANCE

Wash fuel tank with petrol.

Clean outer surface of carburettor and area around it.

Clean ventilator and area around it.

Warranty

This product is warranted by the manufacturer to the original purchaser to be free from defects in material and workmanship under normal use for a period of one (1) year from the date of purchase.

During the warranty period, and upon proof of purchase, the product will be repaired or replaced (with the same or similar model at manufacturer's option), without charge for either parts or labour.

Warranty also applies to spare parts. In case of a defect please contact the dealer where you originally purchased this product. The warranty will not apply to this product if it has been misused, abused or altered. Without limiting the foregoing, leakage of the battery, bending or dropping the unit are presumed to be defects resulting from misuse or abuse.

To get warranty support, apply service center: in full complete set; with warranty card; with rest of the fuel (no less 100 ml) in fuel tank. The instrument must be clean. Service center can refuse warranty support in case of non-observance of these claims.

Exceptions from responsibility

The user of this product is expected to follow the instructions given in operators' manual.

Although all instruments left our warehouse in perfect condition and adjustment the user is expected to carry out periodic checks of the product's accuracy and general performance.

The manufacturer, or its representatives, assumes no responsibility of results of a faulty or intentional usage or misuse including any direct, indirect, consequential damage, and loss of profits.

The manufacturer, or its representatives, assumes no responsibility for consequential damage, and loss of profits by any disaster (earthquake, storm, flood ...), fire, accident, or an act of a third party and/or a usage in other than usual conditions.

The manufacturer, or its representatives, assumes no responsibility for any damage, and loss of profits due to a change of data, loss of data and interruption of business etc., caused by using the product or an unusable product.

The manufacturer, or its representatives, assumes no responsibility for any damage, and loss of profits caused by usage other than explained in the users' manual.

The manufacturer, or its representatives, assumes no responsibility for damage caused by wrong movement or action due to connecting with other products.

WARRANTY DOESN'T EXTEND TO FOLLOWING CASES:

- damage to products or parts caused by misuse, including, without limitation, misapplication or negligence of the terms of service instruction. Usage of expendable materials (oil, belts, filters, plugs) that are not recommended by factory. Or if the instrument was exposed to the self-dependent repair or disassembling during warranty period;
- the instrument that has damages, defects because of outer mechanical, thermal, chemical effects, improper maintenance, storage or acts of God;
- defects caused by reasons that are not depended on the manufacturer, such as usage of fuel that has inadmissible state standard, usage of oil and mixture of inadmissible quality, and also voltage drop of power;
- instrument has damages caused by presence of any liquids and foreign objects inside the product. Ventiducts, fuel and oil holes are clogged up;
- normal runout of the instrument, inner or outer clogging;
- the instrument is overload (continuous operation with max load) that leads to the breakage of piston-cylinder-unit;
- the instrument with breakage of piston-cylinder-unit because of continuous operation at idle;
- damaged parts as a result of operation with unrepaired defects caused by service support, repair or modifications by anyone other than an authorized service center;
- periodic maintenance (cleaning, adjustment, filter replacement and so on);
- if the standard or serial product number will be changed, erased, removed or will be unreadable;
- parts: chains, filters, details of adhesion, cutters, disks, cords, driving belts, shock-absorbers, details of starter group, carbon brushes, AC cables, pressure hoses, plugs, fuel filters, bearings, that don't have visible defects and also life time of details that depends on regular maintenance of the instrument.

For more information you can visit our website WWW.ADAINSTRUMENTS.COM
or write the letter with your questions on info@adainstruments.com

WARRANTY CARD

Name and model of the product _____

Serial number _____ date of sale _____

Name of commercial organization _____ stamp of commercial organization

Warranty period for the instrument exploitation is 12 months after the date of original retail purchase.

During this warranty period the owner of the product has the right for free repair of his instrument in case of manufacturing defects.

Warranty is valid only with original warranty card, fully and clear filled (stamp or mark of the seller is obligatory).

Technical examination of instruments for fault identification which is under the warranty, is made only in the authorized service center.

In no event shall manufacturer be liable before the client for direct or consequential damages, loss of profit or any other damage which occur in the result of the instrument outage.

The product is received in the state of operability, without any visible damages, in full completeness. It is tested in my presence. I have no complaints to the product quality. I am familiar with the conditions of warranty service and I agree.

purchaser signature _____

Before operating you should read service instruction!

If you have any questions about the warranty service and technical support contact seller of this product

Certificate of acceptance and sale

_____ **No** _____

name and model of the instrument

Corresponds to _____

designation of standard and technical requirements

Data of issue _____

Stamp of quality control department

Price

Sold _____ Date of sale _____

name of commercial establishment

Руководство по эксплуатации

Мотобур

Модель: Ground Drill - 1



Содержание

1. Введение.....	16
2. Техническое описание.....	16
3. Технические характеристики.....	17
4. Меры предосторожности.....	17
5. Выбор подходящего шнека.....	19
6. Операции.....	19
7. Воздушный фильтр.....	20
8. Свеча зажигания.....	21
9. Передача.....	22
10. Топливный фильтр.....	22
11. Чистка глушителя.....	22
12. Подготовка к консервации.....	22
13. Техобслуживание.....	23
14. Гарантия.....	24
15. Освобождение от ответственности.....	24

Приложение 1. “Гарантийный талон”.

Приложение 2. “Свидетельство о приемке и продаже”.

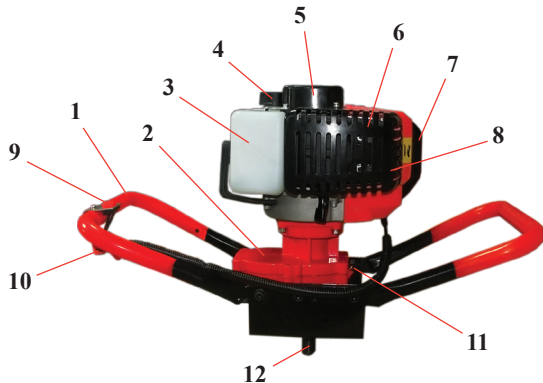
Введение

Уважаемые пользователи! Благодарим за покупку продукции ADA Instruments. В данном руководстве приведены правила эксплуатации инструмента. Перед началом работ внимательно прочтите руководство. Эксплуатируйте инструмент в соответствии с правилами и с учетом требований безопасности. Сохраните инструкцию, при необходимости Вы всегда можете обратиться к ней.

В связи с изменениями в технических характеристиках содержание руководства может не полностью соответствовать приобретенному инструменту. Производитель оставляет за собой право вносить изменения в конструкцию отдельных деталей без предварительного уведомления. Сборка мотобура должна осуществляться в строгом соответствии с приведенным ниже рисунком.

Техническое описание

1. Рукоятка
2. Редукционная передача
3. Топливный бак
4. Крышка топливного бака
5. Возвратный стартер
6. Воздушный фильтр
7. Колпачок свечи зажигания
8. Глушитель
9. Зажигание
10. Дроссельная заслонка
11. Смазочное отверстие
12. Соединение со шнеком



Технические характеристики

Тип двигателя	2-х тактный, возд. охлаждения
Объем двигателя	43 см ³
Мощность	1200 Вт / 1.7 л.с.
Объем топливного бака	0,8 л
Топливная смесь (бензин / масло)	25 :1
Длина/диаметр шнека	800/100 мм
Вес (с шнеком/без шнека)	9,5 / 11 кг

Меры предосторожности

1. Мотобур должен использоваться только людьми в хорошей физической форме, ознакомленными с руководством по эксплуатации.
2. Пользователи, не ознакомленные с руководством по эксплуатации мотобура, к его использованию не допускаются.
3. Запрещается работа мотобуром, если Вы устали, либо находитесь под воздействием алкоголя или медикаментов.
4. Не используйте мотобур, пока полностью не поймете специфических методов работы.
5. Надевайте нескользящую защитную обувь, защитные перчатки, очки, наушники и шлем.
6. Для исключения попадания во вращающиеся части инструмента и бур запрещается при работе надевать шарфы, украшения и что-либо подобное.
7. Перед началом работ обязательно проверьте рабочую зону на отсутствие электрических кабелей, трубопроводов и подземных коммуникаций.

8. Запрещается использовать мотобур в плохо проветриваемых местах, а так же в закрытых помещениях и если имеются взрывчатые или воспламеняющиеся пары.
9. Перемещайте мотобур с выключенным двигателем и с отсоединенным шнеком.
10. Запрещается использовать шнек, при наличии на нем каких-либо трещин или повреждений.
11. Для заправки мотобура используйте смесь бензина с октановым числом 92 и масла для двухтактных двигателей, в соотношении 25:1
12. Заправляйте инструмент вдали от источников огня и с выключенным двигателем. Никогда не курите во время заправки и использовании мотобура.
13. Никогда не снимайте крышку топливного бака когда работает двигатель. Если топливо разольется, перед запуском удалите мотобур на безопасное расстояние от этого места (минимум на 3 метра).
14. Всегда содержите рукоятки мотобура сухими и чистыми. Запрещается присоединять к мотобуру инструменты и приспособления, не указанные производителем
15. Перед запуском убедитесь, что шнек ничем не заблокирован, а мотобур находится в устойчивом и безопасном положении.
16. Никогда не трогайте шнек и не выполняйте обслуживание при работающем двигателе. Убедитесь, что шнек не вращается на холостом ходу двигателя.
17. После того, как двигатель заведется или перед его остановкой, дайте ему поработать 2-3 минуты на холостом ходу без нагрузки. Избегайте работы на высоких оборотах без нагрузки. Никогда резко не останавливайте двигатель на высоких скоростях.
18. При работе держите мотобур обеими руками при этом старайтесь держаться вдали от шнека и глушителя во избежание получения травм и ожогов.
19. Перемещайте мотобур во время работы на холостом ходу двигателя.
20. Никогда не трогайте свечи зажигания или провод, если двигатель работает. Это может привести к удару электрическим током.
21. Храните мотобур в вертикальном положении в сухом месте с пустым топливным баком.

22. Для поддержания исправного состояния мотобура проводите указанное в руководстве техническое обслуживание. Регулярно проверяйте, настраивайте, чините и очищайте инструмент.
23. Всегда следуйте инструкциям производителя во время технического обслуживания. Не разбирать возвратный стартер, Вы можете получить травму от возвратной пружины.
24. При неисправностях мотобура обратитесь в специализированный сервис для их устранения. Сервис, не указанный в данном руководстве, должен осуществляться квалифицированным персоналом.
25. Если Ваш мотобур более не пригоден к использованию, утилизируйте его должным образом, без нанесения вреда окружающей среде.

Выбор подходящего шнека

Выбрать винтовое сверло в соответствии с материалом, в котором выполняется бурение.

В случае бурения льда, выбрать ледовый шнек. При бурении земли воспользуйтесь земляным шнеком.

Установите выходной вал в отверстие шнека и закрепите его используя, подходящую шпильку.

Операции

Топливо

Мотобур оснащен двухтактным двигателем. Всегда заправляйте двигатель топливом, смешанным с маслом. При заливке топлива или обращении с ним следует обеспечить хорошую вентиляцию.

Используйте только неэтилированный бензин с октановым числом не ниже 92 в соотношении с 2х-тактным маслом 25:1. Смешивайте топливо и масло в отдельном чистом контейнере. Для приготовления топливной смеси наполните чистый контейнер половиной количества топлива планируемой к использованию. Затем добавьте все количество масла. Смешайте (встряхните) топливную смесь. Добавьте оставшуюся половину топлива. Тщательно смешайте (встряхните) топливную смесь перед заполнением топливного бака.

Перед заправкой топливом всегда отключайте двигатель. Тщательно очистить участок вокруг крышки бака, чтобы в бак не попала грязь. Хорошо смешайте топливо путем встряхивания контейнера. Открывайте топливный бак медленно, чтобы сбросить возможное избыточное давление. После заправки осторожно затяните крышку топливного бака. Всегда удаляйте аппарат минимум на 3 м от зоны топливной заправки, прежде чем запускать его.

Пуск

1. Установить выключатель зажигания в положение ON.
2. Несколько раз нажать на диафрагму топливного насоса (прозрачный колпачок под воздушным фильтром), чтобы топливо заполнило колпачок и обратную трубку (при наличии подобного оснащения).
3. Быстро потянуть возвратный стартер, крепко удерживая рычаг в руке и не позволяя ему защелкнуться назад.
4. Если Вы услышите, что двигатель начинает заводиться, верните рычаг заслонки в положение RUN (РАБОТА) (открыто). Затем снова быстро потяните возвратный стартер.

ВНИМАНИЕ! Если двигатель не заводится, повторить операцию 2-3 раза.

Бурение

1. Крепко держите рукоятки руками.
2. Поместить шнек на место, где будет производиться бурение и привести его в движение. Благодаря встроенному центробежному сцеплению эта работа не требует много усилий.
3. При возникновении неестественной вибрации или шумов следует отключить двигатель и проверить аппарат.
4. Остановка. Снизить скорость двигателя и переместить выключатель зажигания в положение остановки STOP.

Воздушный фильтр

Воздушный фильтр должен быть очищен от пыли и грязи, чтобы избежать:

1. Неполадок карбюратора

2. Проблем при пуске.
3. Снижения мощности двигателя.
4. Излишнего износа деталей двигателя.
5. Ненормального расхода топлива. Ежедневно очищайте воздушный фильтр, либо чаще, если работа выполняется в пыльной области.

Чистка воздушного фильтра

Демонтируйте крышку воздушного фильтра и фильтр. Промойте его в теплом мыльном растворе. Перед повторной сборкой проверьте, чтобы фильтр был сухим и не имел повреждений. Если фильтр имеет повреждения, то его необходимо заменить. Воздушный фильтр, при промывке и сушке, может не очиститься полностью. Поэтому его следует регулярно заменять на новый.

Свеча зажигания

На состояние свечи зажигания влияет:

1. Неверная регулировка карбюратора.
2. Неверно составленная топливная смесь (слишком много масла в бензине)
3. Грязный воздушный фильтр.
4. Неблагоприятные условия работы.

Эти факторы вызывают отложения на электродах свечи зажигания, что приводит к неполадкам и затруднениям при пуске. Если мощность двигателя снижается, он трудно запускается или плохо работает на холостом ходу, нужно всегда сначала проверить свечу зажигания.

Если свеча зажигания грязная, необходимо ее очистить и проверить межэлектродный зазор. При необходимости выполнить повторную регулировку. Правильный зазор составляет 0.6 мм.

Передача

Каждые 50 часов эксплуатации проверять уровень смазки в передаче или зубчатом зацеплении путем удаления заправочной пробки для смазки на боковой стороне передачи. Если на торцах зубчатых колес не видно смазки, заполнить передачу на 3/4 качественной, универсальной литиевой смазкой. Не заполнять передачу полностью.

Топливный фильтр

Полностью слить топливо из топливного бака и извлечь из бака линию топливного фильтра. Вытащить фильтрующий элемент из держателя и промыть его теплой водой с моющим средством. Тщательно смыть средство и высушить элемент на воздухе.

ВНИМАНИЕ! Если топливный фильтр твердый, сильно загрязнен, полностью заменить его.

Чистка глушителя

Через каждые 100 часов эксплуатации демонтировать глушитель и искровой разрядник (если имеется) и вычищать выхлопной нагар из выхлопного отверстия или входа глушителя.

Подготовка к консервации

Слить все топливо из топливного бака. Завести двигатель и дать ему поработать для полной остановки. Очистить аппарат чистой тканью или воспользоваться воздушным шлангом высокого давления. Накапать несколько капель двухтактного двигательного масла в цилиндр, через отверстие в свече зажигания и прокрутить двигатель чтобы распределить масло. Хранить мотобур в вертикальном положении в сухом месте.

Техобслуживание

Техобслуживание, замена или ремонт устройств и систем может осуществляться в ремонтных мастерских.

ЕЖЕДНЕВНОЕ ТЕХОБСЛУЖИВАНИЕ

1. Проверка мотобура на надлежащее центрирование, остроту и наличие трещин. Шнек с нарушенным центрированием имеет сильную вибрацию и может повредить устройство.
2. Проверка прочности затягивания мотобура.
3. Проверка прочности посадки гаек и винтов.

ЕЖЕНЕДЕЛЬНОЕ ТЕХОБСЛУЖИВАНИЕ

1. Проверка стартера особенно, шнура и возвратной пружины.
2. Чистка наружной поверхности свечи зажигания.
3. Проверять наполнение коробки передач смазкой.
4. Чистка воздушного фильтра.

ЕЖЕМЕСЯЧНОЕ ТЕХОБСЛУЖИВАНИЕ

1. Промывка топливного бака бензином.
2. Чистка наружной поверхности карбюратора и пространства вокруг него.
3. Чистка наружных поверхностей.

Гарантия

Производитель предоставляет гарантию на продукцию покупателю в случае дефектов материала или качества его изготовления во время использования оборудования с соблюдением инструкции пользователя на срок до 1 года со дня покупки. Во время гарантийного срока, при предъявлении доказательства покупки, прибор будет починен или заменен на такую же или аналогичную модель бесплатно. Гарантийные обязательства также распространяются и на запасные части. В случае дефекта, пожалуйста, свяжитесь с дилером, у которого вы приобрели прибор. Гарантия не распространяется на продукт, если повреждения возникли в результате деформации, неправильного использования или ненадлежащего обращения. Все вышеизложенные безо всяких ограничений причины, а также утечка батареи, деформация прибора являются дефектами, которые возникли в результате неправильного использования или плохого обращения.

Для гарантийного обслуживания инструмент предоставляется в сервисный центр:

в полной комплектации; с гарантийным талоном; с остатками топлива в бензобаке не менее 100 мл; в чистом виде.

При несоблюдении этих требований сервисный центр имеет право отказать Вам в гарантийном обслуживании.

Освобождение от ответственности

Пользователю данного продукта необходимо следовать инструкциям, которые приведены в руководстве по эксплуатации. Даже, несмотря на то, что все приборы проверены производителем, пользователь должен проверять точность прибора и его работу.

Производитель или его представители не несут ответственности за прямые или косвенные убытки, упущенную выгоду или иной ущерб, возникший в результате неправильного обращения с прибором.

Производитель или его представители не несут ответственности за косвенные убытки, упущенную выгоду, возникшие в результате катастроф (землетрясение, шторм, наводнение и т.д.), пожара, несчастных случаев, действия третьих лиц и/или использование прибора в необычных условиях.

Производитель или его представители не несут ответственности за косвенные убытки, упущенную выгоду, возникшие в результате изменения данных, потери данных и временной приостановки бизнеса и т.д., вызванных применением прибора.

Производитель или его представители не несут ответственности за косвенные убытки, упущенную выгоду, возникшие в результате использования прибора не по инструкции.

ГАРАНТИЙНЫЕ ОБЯЗАТЕЛЬСТВА НЕ РАСПРОСТРАНЯЮТСЯ:

- на инструмент, эксплуатировавшийся с нарушением инструкции по эксплуатации, в том числе если использовались не рекомендованные заводом-изготовителем расходные материалы (масла, свечи, ремни, фильтры), и на инструмент, подвергшийся самостоятельному ремонту или разборке в гарантийный период;
- на инструмент, имеющий повреждения, дефекты, вызванные внешними механическими, термическими, химическими воздействиями, небрежным уходом, неправильным хранением, стихийными бедствиями;
- на недостатки, которые вызваны не зависящими от производителя причинами, такими как использование недопустимого государственными стандартами качества топлива, масла и смеси ненадлежащего качества, а также перепады напряжения питания;
- на инструмент, имеющий повреждения, вызванный попаданием внутрь посторонних предметов, жидкостей, а также засором вентиляционных отверстий, топливных и масляных каналов;
- на естественный износ инструмента (полная выработка ресурса, сильное внешнее или внутреннее загрязнение);
- на инструмент, работавший с перегрузками (длительная работа на максимальных оборотах), которые привели к тепловым задирам в цилиндро-поршневой группе;
- на инструмент с тепловыми задирами в цилиндро-поршневой группе, возникшими вследствие его длительной эксплуатации на холостом ходу;
- на повреждения изделия, возникшие вследствие эксплуатации с неустраненными недостатками и/либо возникшие в следствии технического обслуживания, ремонта или конструктивных изменений лицами или организациями, не имеющими соответствующих полномочий;
- на периодическое обслуживание инструмента (регулировка, чистка, замена фильтров и т. п.);
- если удален, неразборчив или изменен серийный номер инструмента;
- на детали и узлы: цепи, шины, фильтры, детали сцепления, ножи, диски, кордовые шнуры, приводные ремни, амортизаторы, детали стартерной группы, угольные щетки, сетевые кабели, напорные шланги, свечи, топливные фильтры, подшипники, не имеющие выраженных признаков дефекта, а также детали, срок службы которых зависит от регулярного технического обслуживания инструмента.

Для получения дополнительной информации Вы можете посетить наш Интернет сайт WWW.ADAINSTRUMENTS.COM или написать письмо с интересующими Вас вопросами на электронный адрес info@adainstruments.com

ГАРАНТИЙНЫЙ ТАЛОН

Наименование изделия и модель _____

Серийный номер _____ Дата продажи _____

Наименование торговой организации _____ Штамп торговой организации мп.

Гарантийный срок эксплуатации приборов составляет 12 месяцев со дня продажи и распространяется на оборудование, ввезенное на территорию РФ официальным импортером.

В течении гарантийного срока владелец имеет право на бесплатный ремонт изделия по неисправностям, являющимся следствием производственных дефектов.

Гарантийные обязательства действительны только по предъявлении оригинального талона, заполненного полностью и четко (наличие печати и штампа с наименованием и формой собственности продавца обязательно).

Техническое освидетельствование приборов (дефектация) на предмет установления гарантийного случая производится только в авторизованной мастерской.

Производитель не несет ответственности перед клиентом за прямые или косвенные убытки, упущенную выгоду или иной ущерб, возникшие в результате выхода из строя приобретенного оборудования.

Правовой основой настоящих гарантийных обязательств является действующее законодательство, в частности, Федеральный закон РФ “О защите прав потребителя” и Гражданский кодекс РФ ч.II ст. 454-491.

Товар получен в исправном состоянии, без видимых повреждений, в полной комплектности, проверен в моем присутствии, претензий по качеству товара не имею. С условиями гарантийного обслуживания ознакомлен и согласен.

Подпись получателя _____

Перед началом эксплуатации внимательно ознакомьтесь с инструкцией по эксплуатации!

По вопросам гарантийного обслуживания и технической поддержки обращаться к продавцу данного товара

СВИДЕТЕЛЬСТВО О ПРИЕМКЕ И ПРОДАЖЕ

№ _____

НАИМЕНОВАНИЕ И ТИП ПРИБОРА

Соответствует _____

_____ обозначение стандарта и технических условий

Дата выпуска _____

Штамп ОТК (клеймо приемщика)

Цена

Продан(а) _____

Дата продажи _____

**ADA
MEASUREMENT FOUNDATION**

WWW.ADAINSTRUMENTS.COM