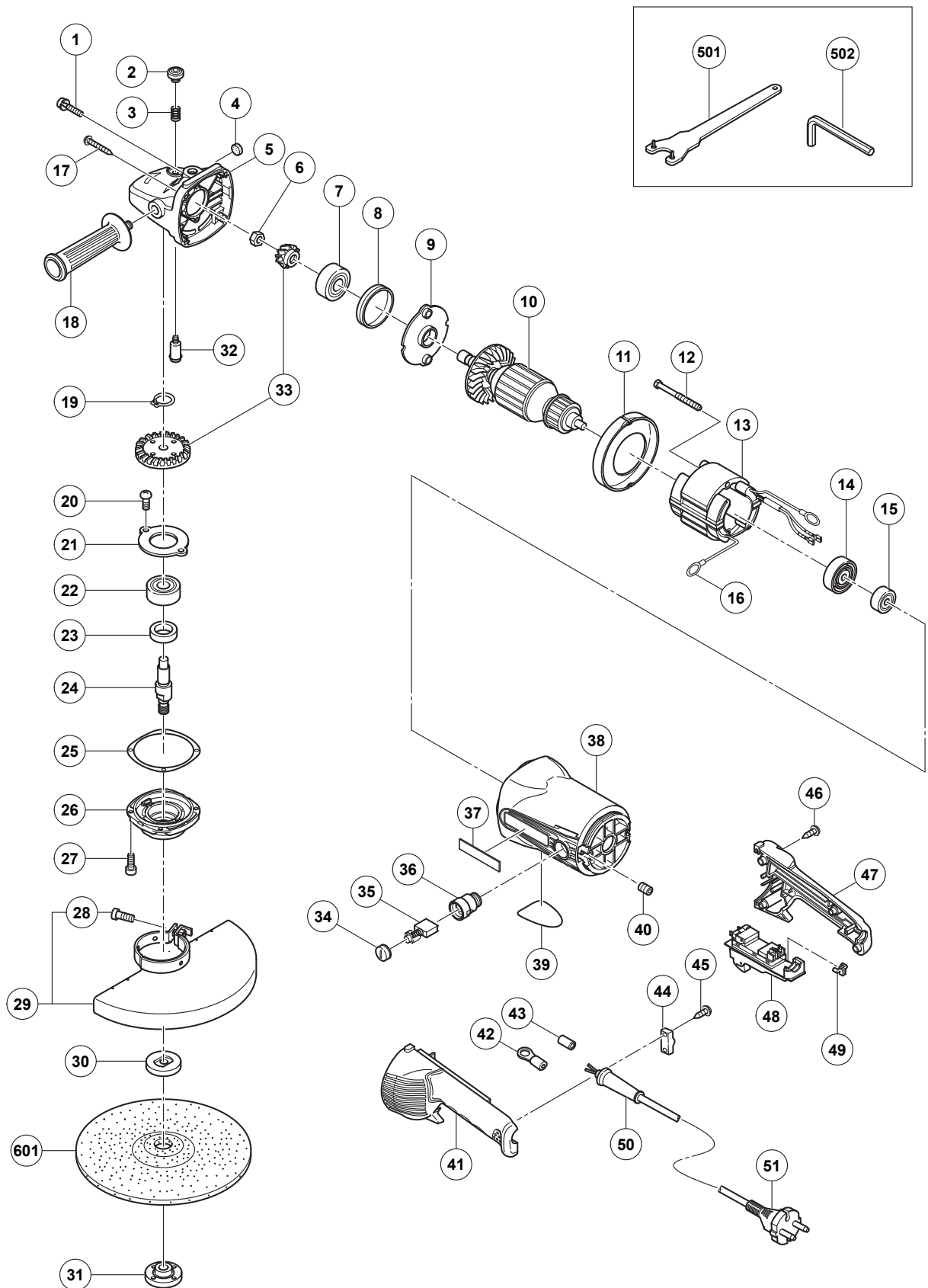


ELECTRIC TOOL PARTS LIST

DISC GRINDER
Model G 23SS

2008·6·18
(E1)



PARTS

G 23SS

ITEM NO.	CODE NO.	DESCRIPTION	NO. USED	REMARKS
1	315-636	SEAL LOCK SCREW (W/SP. WASHER) M5X14 (BLACK)	2	
2	306-888	PUSHING BUTTON	1	
3	320-219	SPRING	1	
4	937-033	FELT WASHER	1	
5	330-080	GEAR COVER ASS'Y	1	INCLUD. 2-4, 32
6	320-226	SPECIAL NUT M10	1	
7	630-1VV	BALL BEARING 6301VVCMP2L	1	
8	330-031	RUBBER RING	1	
9	330-030	BEARING COVER	1	
* 10	360-852C	ARMATURE 110V	1	
* 10	360-852U	ARMATURE ASS'Y 120V-127V	1	INCLUD. 7, 14, 15
* 10	360-852E	ARMATURE 220V-240V	1	
11	330-081	FAN GUIDE	1	
12	961-501	HEX. HD. TAPPING SCREW D5X60	2	
* 13	340-737C	STATOR ASS'Y 110V	1	INCLUD. 16
* 13	340-737D	STATOR ASS'Y 120V	1	INCLUD. 16
* 13	340-737G	STATOR ASS'Y 127V	1	INCLUD. 16
* 13	340-737E	STATOR ASS'Y 220V-230V	1	INCLUD. 16
* 13	340-737F	STATOR ASS'Y 240V	1	INCLUD. 16
14	330-029	DUST SEAL	1	
15	600-0VV	BALL BEARING 6000VVCMP2L	1	
16	937-623	BRUSH TERMINAL	2	
17	323-209	TAPPING SCREW (W/FLANGE) D5X35 (BLACK)	4	
18	937-981	SIDE HANDLE FOR M14	1	
19	939-542	RETAINING RING FOR D12 SHAFT (10 PCS.)	1	
20	949-236	MACHINE SCREW M5X10 (10 PCS.)	2	
21	320-229	BEARING COVER (B)	1	
22	630-2VV	BALL BEARING 6302VVCMP2L	1	
23	990-852	FELT PACKING (B)	1	
* 24	320-234	SPINDLE	1	
* 24	321-541	SPINDLE	1	FOR USA, CAN, MEX
25	320-228	SEAL PLATE	1	
26	320-227	PACKING GLAND	1	
27	994-192	HEX. SOCKET HD. BOLT (W/FLANGE) M5X16	4	
28	949-760	HEX. SOCKET HD. BOLT M8X25 (10 PCS.)	1	
* 29	330-036	WHEEL GUARD ASS'Y	1	INCLUD. 28
* 29	330-037	WHEEL GUARD ASS'Y	1	INCLUD. 28 FOR USA, CAN, MEX
* 30	937-907Z	WHEEL WASHER (A)	1	
* 30	937-908Z	WHEEL WASHER (B)	1	FOR AUS
* 30	937-922P	WHEEL WASHER (B) FOR D5/8" HOLE	1	FOR USA, CAN, MEX
* 31	937-909Z	WHEEL NUT M14X2	1	
* 31	937-917Z	WHEEL NUT (B)	1	FOR AUS
* 31	937-923P	WHEEL NUT 5/8"-11UNC	1	FOR USA, CAN, MEX
32	306-890	LOCK PIN	1	
33	330-032	GEAR AND PINION SET	1	
34	945-161	BRUSH CAP	2	
35	999-038	CARBON BRUSH (1 PAIR)	2	
36	938-241	BRUSH HOLDER	2	
37		HITACHI LABEL	1	
38	330-028	HOUSING ASS'Y	1	INCLUD. 36, 40

