

PARTS LIST

10" (250mm) JOBSITE TABLE SAW

MODEL NO. C10RD

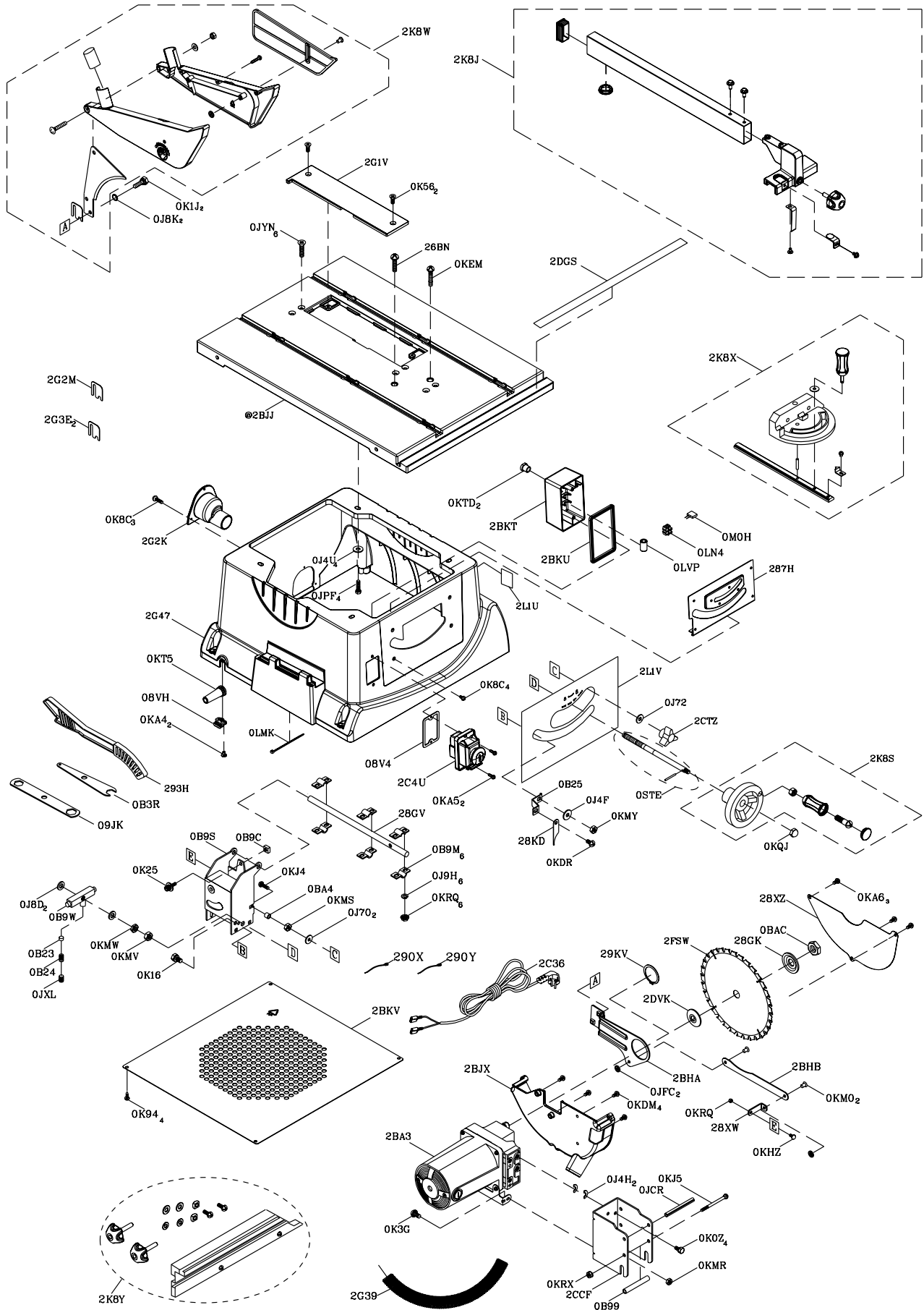
PARTS LIST FOR SCHEMATIC

Always order by I.D. Number

Parts NO.	I.D.	Description	Size	QTY	Parts NO.	I.D.	Description	Size	QTY
326833	08V4	RUBBER		1	726603	0KMY	HEX. NUT	M8*1.25T=6.5	1
726434	08VH	CORD CLAMP		1	726612	0KQJ	CROWN NUT	M8*1.25 T=12.5	1
726437	09JK	WRENCH		1	726620	0KRQ	SERRATED TOOTHED HEXAGON FLANGE NUT	M6*1.0 T=6	7
726437	0B23	SADDLE		1	726622	0KRX	HEXAGON NUT AND FLAT WASHER	M6*1.0	1
726439	0B24	SPRING		1	326849	0KT5	GUARD-CORD		1
326835	0B25	POINTER BRACKET		1	326427	0KTD	STRAIN RELIEF		2
726444	0B3R	WRENCH		1	726633	0LMK	LOCKING CABLE TIE		1
726446	0B99	SPACER		1	326850	0LN4	WIRE CONNECTOR		1
726447	0B9C	PLUNGER HOUSING		1	326851	0LVP	FERRITE CORE		1
326836	0B9M	STRAP		6	326852	0M0H	CAPACITOR		1
326837	0B9S	BRACKET		1	726642	0STE	HEIGHT REGULATING BOLT ASS'Y		1
726449	0B9W	BRACKET		1	326853	26BN	CR. RE. PAN HD. SCREW		1
726450	0BA4	SPACER		1	726782	287H	RETAINING CLIP		1
726454	0BAC	SET NUT		1	326854	28GK	ARBOR COLLAR		1
726478	0J4F	FLAT WASHER	φ8*16-2.5	1	326855	28GV	ANGLE ROD		1
726479	0J4H	FLAT WASHER	φ10*30-0.2	2	326856	28KD	TILT POINTER		1
326838	0J4U	FLAT WASHER	φ6*18-1.5	4	326857	28XW	LEVER BRACKET		1
726488	0J70	FLAT WASHER	1/4*3/4-7/64	2	326858	28XZ	COVER		1
726489	0J72	FLAT WASHER	1/4*5/8-1/16	1	326859	290X	LEAD WIRE ASS'Y		1
726495	0J8D	FLAT WASHER	3/8*3/4-5/64	2	326860	290Y	LEAD WIRE ASS'Y		1
326839	0J8K	FLAT WASHER	1/4*3/4-1/16	2	726873	293H	PUSH BLOCK		1
326840	0J9H	SPRING WASHER	φ1/4"	6	326861	29KV	C-RING		1
326841	0JCR	SPRING PIN		1	326862	2BA3	MOTOR ASS'Y		1
326842	0JFC	SELF-LOCKING RING		2	326863	2BHA	SPLITTER BRACKET		1
726525	0JPF	HEX. HD. BOLT	M6*1.0-25	4	326864	2BHB	LEVER		1
726535	0JXL	HEX. SOC. SET SCREW	M10*1.5-12	1	326865	2BJJ	TABLE		1
325713	0JYN	HEX. SOC. COUNTERSUNK HD. SCREW	M6*1.0-25	6	326866	2BJX	DUST COLLECTOR		1
726320	0K0Z	HEX. HD. SCREW AND WASHER	M8*1.25-16	4	326867	2BKT	TRIGGER VALVE SEAT		1
726319	0K16	HEX. HD. SCREW AND WASHER	M8*1.25-16	1	326868	2BKU	DUST GUARD		1
326843	0K1J	HEX. HD. SCREW AND WASHER	M6*1.0-16	2	326869	2BKV	FLOOR PLATE		1
726538	0K25	HEX.SOCKET HD.CAP SCREWS	M5*0.8-20	1	326870	2C36	POWER CABLE		1
726543	0K3G	CR.RE. PAN HD. SCREW & WASHER	M5*0.8-12	1	326871	2C4U	PUSH BUTTON SWITCH ASS'Y		1
326844	0K56	CR. RE. COUNT HD. SCREW	M5*0.8-12	2	326872	2CCF	MOTOR BRACKET		1
726561	0K8C	CR. RE.COUNT HD. TAPPING SCREW	M4*18-10	7	326873	2CTZ	LOCK KNOB		1
726564	0K94	CR. RE. TRUSS HD. TAPPING SCREW	M5*12-16	4	326874	2DGS	SCALE		1
726570	0KA4	CR.RE. PAN HD. TAPPING SCREW	M4*16-16	2	326875	2DVK	ARBOR COLLAR		1
325722	0KA5	CR.RE. PAN HD. TAPPING SCREW	M4*16-20	2	326876	2FSW	BLADE		1
326845	0KA6	CR.RE. PAN HD. TAPPING SCREW	M5*12-10	3	326877	2G1V	INSERT		1
326846	0KDM	CR. RE. PAN HD. SCREW	M5*0.8-20	4	326878	2G2K	CONNECTOR		1
726581	0KDR	CR. RE. PAN HD. SCREW	M5*0.8-10	1	326879	2G2M	SPACER		1
326847	0KEM	CR. RE. PAN HD. SCREW	M6*1.0-40	1	326880	2G39	DUST TUBE.		1
726588	0KHZ	CAP HD. SQ.NECK BOLT	M6*1.0-12	1	326881	2G3E	SPACER		2
726589	0KJ4	CAP HD. SQ.NECK BOLT	M6*1.0-35	1	326882	2G47	BODY SHELL		1
726590	0KJ5	CAP HD. SQ.NECK BOLT	M6*1.0-80	1	326883	2K8J	PARALLEL BRACKET ASS'Y		1
326848	0KM0	RIVET		2	326884	2K8S	HAND WHEEL ASS'Y		1
726596	0KMR	HEX. NUT	M5*0.8 T=4	1	326885	2K8W	BLADE GUARD ASS'Y		1
726597	0KMS	HEX. NUT	M6*1.0 T=5	1	326886	2K8X	MITER GAUGE ASS'Y		1
726600	0KMV	HEX. NUT	M10*1.5 T=8	1	326887	2K8Y	AUXILIARY PARALLEL BRACKET ASS'Y		1
726601	0KMW	HEX. NUT	M10*1.5 T=4	1	2L1U		LABEL		1
					2L1V		LABEL		1

10" (250mm) JOBSITE TABLE SAW

MODEL NO. C10RD

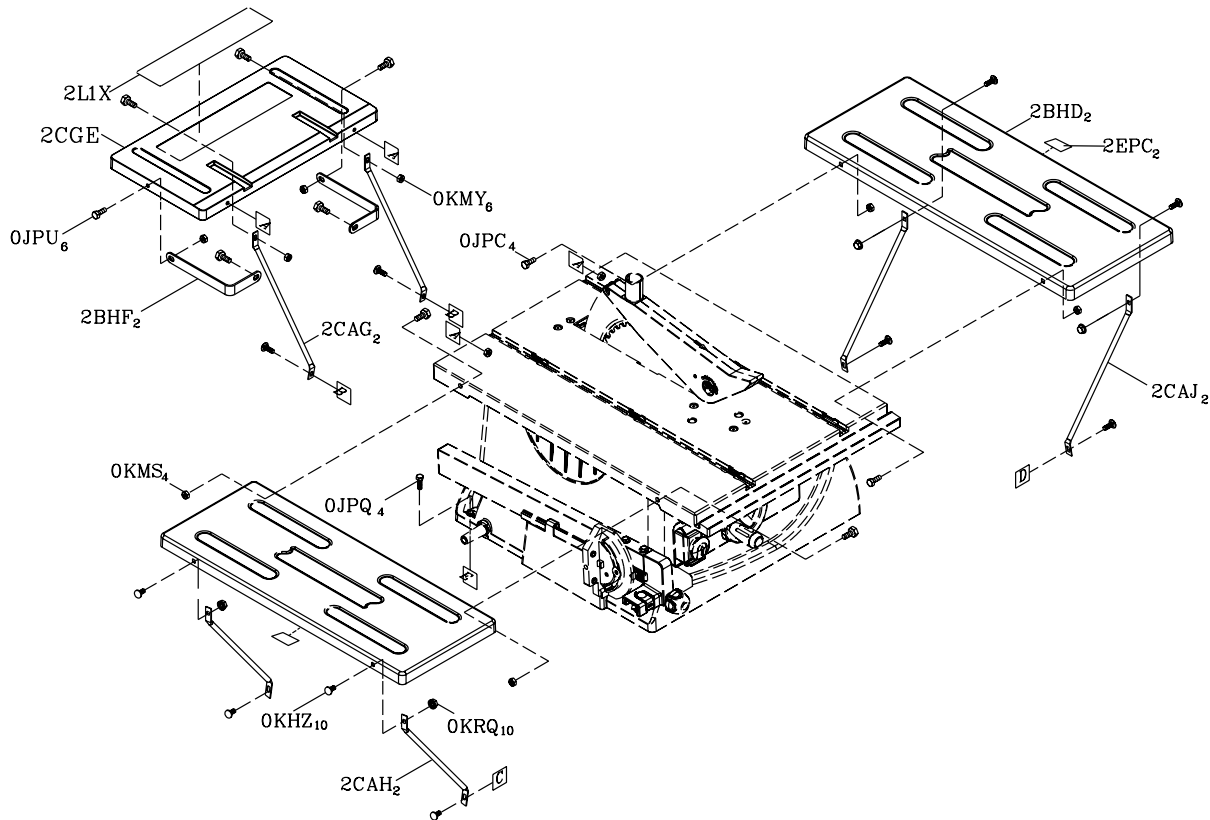


10" (250mm) JOBSITE TABLE SAW

MODEL NO. C10RD

PARTS LIST FOR EXTENSION WING

Parts NO.	I.D.	Description	Size	QTY
726524	0JPC	HEX. HD. BOLT	M6*1.0-12	4
326898	0JPQ	HEX. HD. BOLT	M8*1.25-35	4
726527	0JPU	HEX. HD. BOLT	M8*1.25-20	6
726588	0KHZ	CAP HD. SQ.NECK BOLT	M6*1.0-12	10
726597	0KMS	HEX. NUT	M6*1.0 T=5	4
726603	0KMY	HEX. NUT	M8*1.25T=6.5	6
726620	0KRQ	SERRATED TOOTHED HEXAGON FLANGE NUT	M6*1.0 T=6	10
326899	2BHD	EXTENTION WING		2
326900	2BHF	RETAINING CLIP		2
326901	2CAG	SUPPORT ROD		2
326902	2CAH	SUPPORT ROD		2
	2CAJ	SUPPORT ROD		2
326903	2CGE	EXTENTION WING		1
326904	2EPC	STICKER		2
	2L1X	TRADE-MARK LABEL		1



ENGLISH

Recyclable Materials Analysis List						
Material	Aluminum	Cast Iron	Iron Plate	Plastics	Others	Total
Weight(Kg)	4.5	0.0	7.7	3.2	0.4	15.8
Percentage (%)	28.5%	0.00%	48.8%	20.2%	2.5%	100.0%
Major Packaging Materials						
Material	Carton	Polystyrene	Low Density Polyethylene	Polypropylene	Others	Total
Weight(Kg)	2.78	0	0.22	0	0	3.00

RUSSIAN

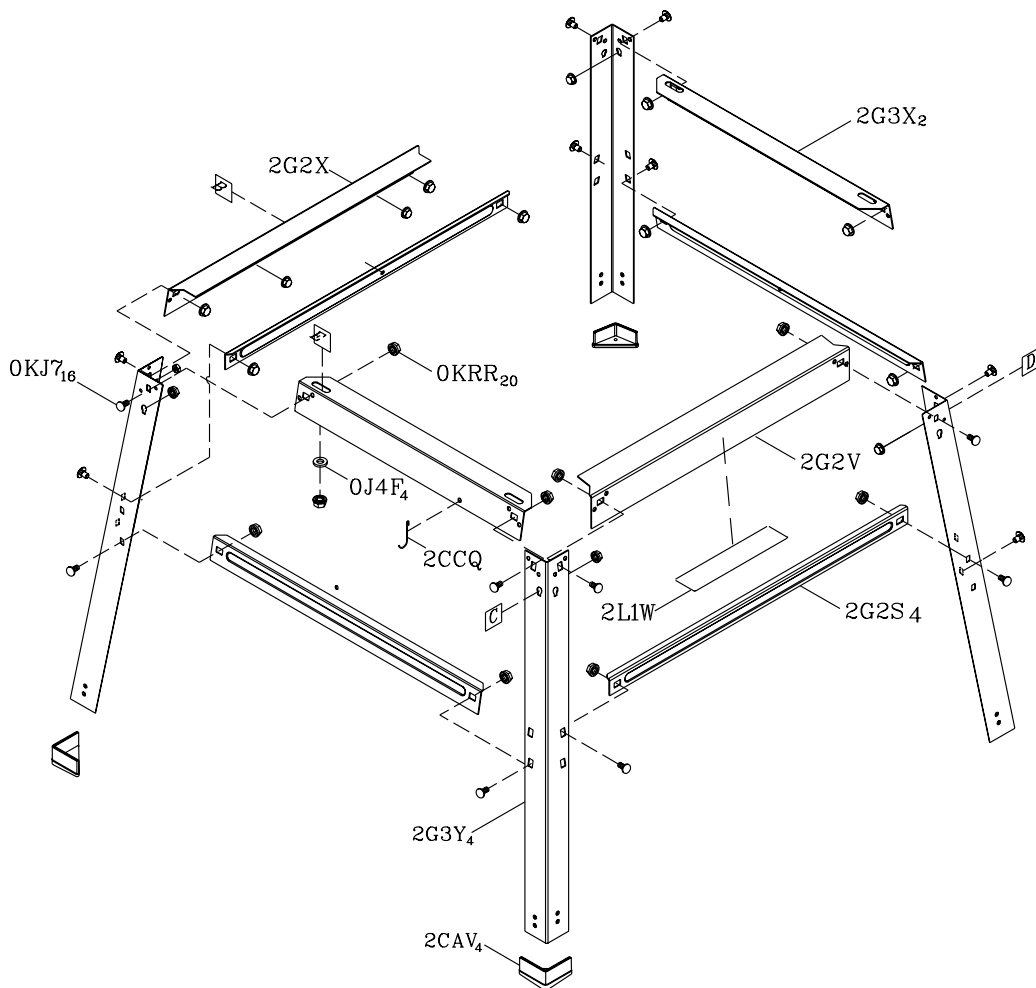
Анализ материалов, поддающихся утилизации						
Материал	Алюминий	Чугун	Листовая сталь	Пластмассы	Другие	Всего
Масса (Kg)	4.5	0.0	7.7	3.2	0.4	15.8
%	28.5%	0.00%	48.8%	20.2%	2.5%	100.0%
Основные упаковочные материалы						
Материал	Картон	Полистирол	Легкий полиэтилен	Полипропилен	Другие	Всего
Масса (Kg)	2.78	0	0.22	0	0	3.00

10" (250mm) JOBSITE TABLE SAW

MODEL NO. C10RD

PARTS LIST FOR STAND

Parts NO.	I.D.	Description	Size	QTY
726478	OJ4F	FLAT WASHER	φ8X16-2.5	4
726591	OKJ7	CAP HD. SQ.NECK BOLT	M8*1.25-16	16
726621	OKRR	SERRATED TOOTHED HEXAGON FLANGE NUT	M8*1.25 T=7.5	20
326921	2CAV	CUSHION		4
326888	2CCQ	HOOK		1
326889	2G2S	BOTTOM SUPPORT BRACKET		4
326890	2G2V	UPPER SUPPORT(LONG)		1
326891	2G2X	UPPER SUPPORT(LONG)		1
326892	2G3X	UPPER SUPPORT(SHORT)		2
326893	2G3Y	BRACKET		4
	2L1W	TRADE-MARK LABEL		1



10" (250mm) JOBSITE TABLE SAW

MODEL NO. C10RD

PARTS LIST FOR MOTOR

Parts NO.	I.D.	Description	Size	QTY
326905	0HX9	NEEDLE BEARING		1
326906	0JAL	EXT.TOOTH LOCK WASHER	φ4	3
326907	0JX3	HEX. SOC. SET SCREW	M5*0.8-8	2
326908	0K3A	CR.RE. PAN HD. SCREW & WASHER	M5*0.8-30	4
326909	0K52	CR. RE. COUNT HD. SCREW	M4*0.7-12	3
326427	0KTD	STRAIN RELIEF		1
326910	0QM2	BRUSH HOLDER ASS'Y		2
326458	0QQU	CARBON BRUSH ASS'Y		2
326243	0QR0	BRUSH COVER		2
326911	0R1S	BEARING BUSHING		1
326912	0R20	BAFFLE		1
326913	110A	CR.-RE.PAN HD.TAPPING SCREW & WASHER	M5*2-55	2
326915	2A24	MOTOR HOUSING		1
326916	2B9Q	CUTTER SHAFT ASS'Y		1
326917	2B9S	FIELD ASS'Y		1
326918	2B9T	ARMATURE ASS'Y		1
326919	2BB7	BRACKET		1
326920	2BB8	BEARING SEAT		1
	2DW3	RETAINING CLIP		1

