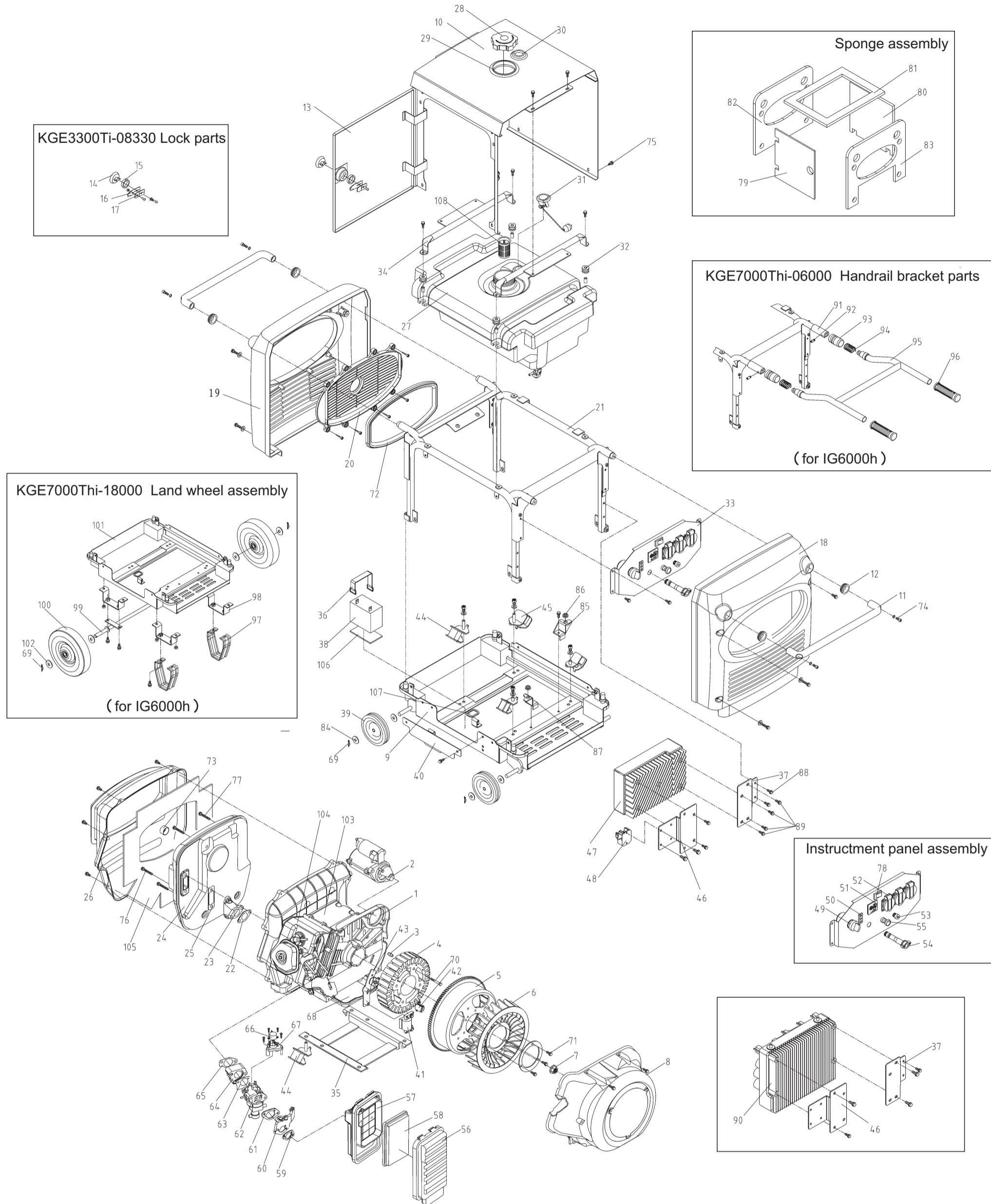


# ASSEMBLY AND PARTS ALBUM

## IG6000/6000h



No.	Code.	Description	Qty.	No.	Code.	Description	Qty.	No.	Code.	Description	Qty.	No.	Code.	Description	Qty.
1	KG390GETI-0000	Engine assembly	1	28	KGE3300Ti-11010	Oil tank cover assembly	1	55	KGE7000Ti-14000	Air valve cable	1	82	KGE5500Ti-08805a	Inner paste of rear palte	1
2	KG340E-15000	Starting engine assembly	1	29	KGE3300Ti-08108A	Reservoir port sheath	1	56	KG390GETI-07002	Air filter cover	1	83	KGE5500Ti-08804a	Inner paste of front panel	1
3	KGE3500Xi-02002	Stator location pin	2	30	KGE3300Ti-08106	Window fixing sleeve	1	57	KG390GETI-07001	Air filter bottom	1	84	GB96-85	Big washer12	8
4	KD55-02100	Stator assembly	1	31	KGE3300Ti-11300	Oil scale subassembly	1	58	KG240GX-07002	Filter element	1	85	KGE5500Ti-03300	Damping plate 2 weldment	1
5	KD55-02200	Rotor assembly	1	32	KGE3300Ti-11003	Oil tank gasket	4	59	KG240-07004	Carburetor washer	1	86	KGE5500Ti-03200	Damping plate 1 weldment	1
6	KM186FGI-05105	Wind wheel	1	33	KGE5500Ti-13200	Controlling panel	1	60	KG390GTI-11000	Chock valve plate weldment	1	87	KDE5000X-30003	Damping block	2
7	KG186F-05002	Flywheel nut	1	34	KGE5500Ti-08900	Stay tube weldment	2	61	KG240G-02023	Carburetor gasket B	2	88	GB/T5789-1986	BoltM6X30	4
8	KGE5500Ti-04001	Fan conduct cover of motor	1	35	KGE5500Ti-01010	Engine bracket weldment	1	62	KG390GET-10000	Carburetor assembly	1	89	GB/T5789-1986	BoltM8X12	8
9	KGE5500Ti-03000b	Chassis assembly	1	36	KGE3500Xc-17100	Fixing belt of battery	1	63	KG390GET-02021	Carburetor gasket A	1	90	DU50-120/240V	Inversion unit(module)	1
10	KGE5500Ti-08100	Sideboard assembly	1	37	KGE5500Ti-08724	Module fixing plate 2	1	64	KG390GET-02019	Insulation block of carburetor	1	91	KGE7000Thi-08700	Frame weldment	1
11	KGE5500Ti-08200	Handle assembly	2	38	KGE7000Ti-11AH	Battery(12V-11AH)	1	65	KG340-02014	Inlet pipe gasket	1	92	KGE7000Thi-06005	Tighten screw	2
12	KGE3300Ti-08204	Handle robber sleeve	4	39	KGE5500Ti-18001	Land wheel	4	66	24BY J24	Stepping motor	1	93	KGE7000Thi-06004	Sliding bush	2
13	KGE5500Ti-08300	Door	1	40	KGE5500Ti-03400	Battery pressure plate weldment	2	67	KG200GTI-10210	Motor frame parts	1	94	KGE7000Thi-06006	Handle spring	2
14	5GF-LDE-05018	Door lock knob	1	41	KGE3300Ti-13300	Ignition coil	1	68	KGE5500Ti-01021	Cylinder bottom cover	1	95	KGE7000Thi-06002	Arm rest	1
15	5GF-LDE-05019	Door lock gasket	1	42	KGE3300Ti-13601	Trigger end	1	69	QC/T623-1999	Lock pin 12	4	96	KGE7000Thi-06007	Handle rubber sleeve	2
16	5GF-LDE-05022	Door lock	1	43	KGE5500Ti-13320	Ignition coil bracket weldment	11	70	GB/T5788-1986	Bolt	4	97	KGE7000Thi-18002	Rear wheel stabiliser	2
17	5GF-LDE-05021	Door lock strengthen plate	1	44	KGE5500Xi-12100	Left damping block	2	71	GB/T5789-1986	BoltM6X12	12	98	KGE7000Thi-18001	Front wheel stabiliser	4
18	KGE5500Ti-08401	Front cover	1	45	KGE5500Xi-12200	Right damping block	2	72	KGE5500Ti-08602	Sealing band of exhaust window	1	99	KGE7000Thi-18100	Axle weldment	1
19	KGE5500Ti-08501	Rear cover	1	46	KGE5500Ti-08723	Module fixing plate 1	1	73	KGE5500Ti-10100	Fireproof cap assembly	1	100	10"	Rubber wheel	2
20	KGE5500Ti-08601	Exhaust window	1	47	DU50-230V	Inversion unit(module)	1	74	GB/T70-1985	Hexagonal boltM8X12	4	101	KGE7000Thi-03000	Chassis assembly	1
21	KGE5500Ti-08700	Frame weldment	1	48	CDQ-10AH	Charging adjustor	1	75	GB/T5788-1986	BoltM6X12	20	102	GB96-85	Big washer15	4
22	KG240-02015	Exhaust pipe gasket	1	49	JK427	Electric starting key	1	76	KGE5500Ti-10304	BoltM8X75	2	103	KGE5500Ti-01020	Baffle parts	1
23	KGE5500Ti-10301	Exhaust pipe	1	50	DHQ-30	Three in one ignition controller	1	77	KGE5500Ti-10305	BoltM8X80	4	104	KGE5500Ti-01030	Baffle parts of cylinder end	1
24	KGE5500Ti-10100	Muffler assembly	1	51	WZ-ZZ 8.3A DC12V	DC receptacle	1	78	RF-1003-BB2	Energy saving switch	1	105	KGE5500Ti-10122	Heat insulation of muffler cover	1
25	KGE5500Ti-10302	Gasket A	1	52	10A/16A 250V	European style receptacle	3	79	KGE3300Ti-08802a	Inner paste of door sheet	1	106	KGE5500Ti-17006	Battery gasket	1
26	KGE5500Ti-10200	Muffler cover assembly	1	53	GB/806-1988	Earthing nut	1	80	KGE5500Ti-08801a	Inner paste of left plate	1	107	KGE3300Ti-03003	Chock plug of oil outlet	1
27	KGE5500Ti-11001	Oil tank	1	54	KGE3300Ti-11005	Adjusting pipe of oil tank switch	1	81	KGE5500Ti-08803a	Inner paste of upper plate	1	108	KGE3300Ti-11008	Filtering net of oil filler	1