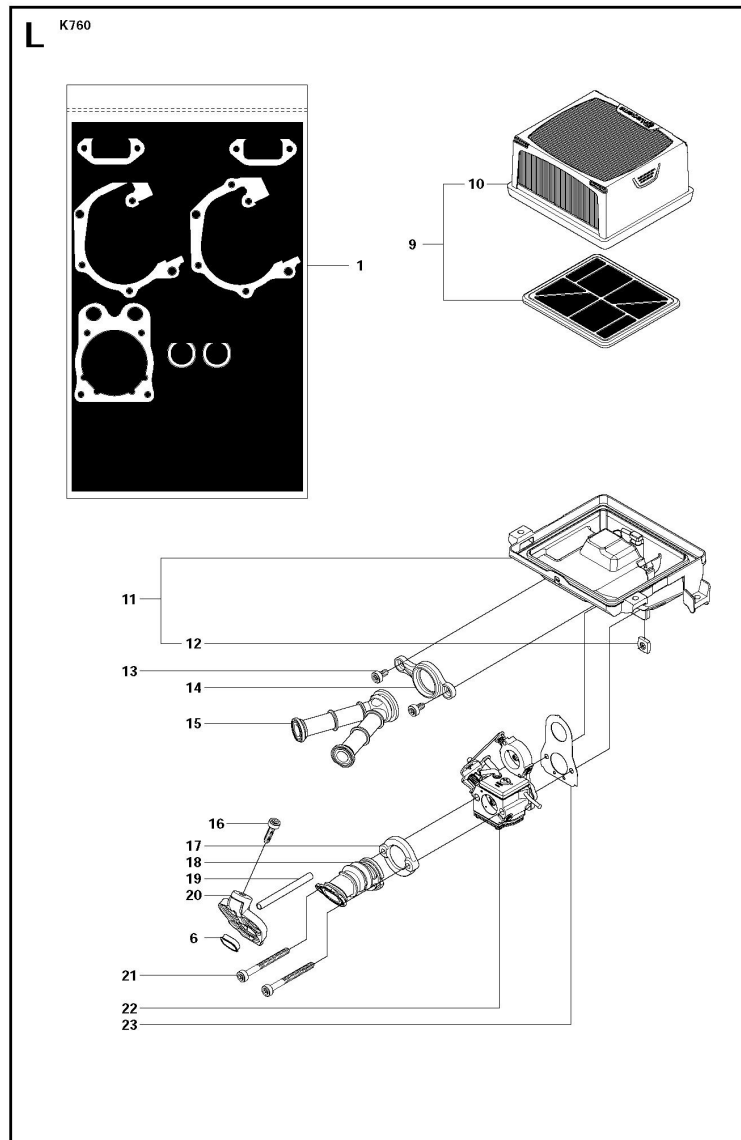


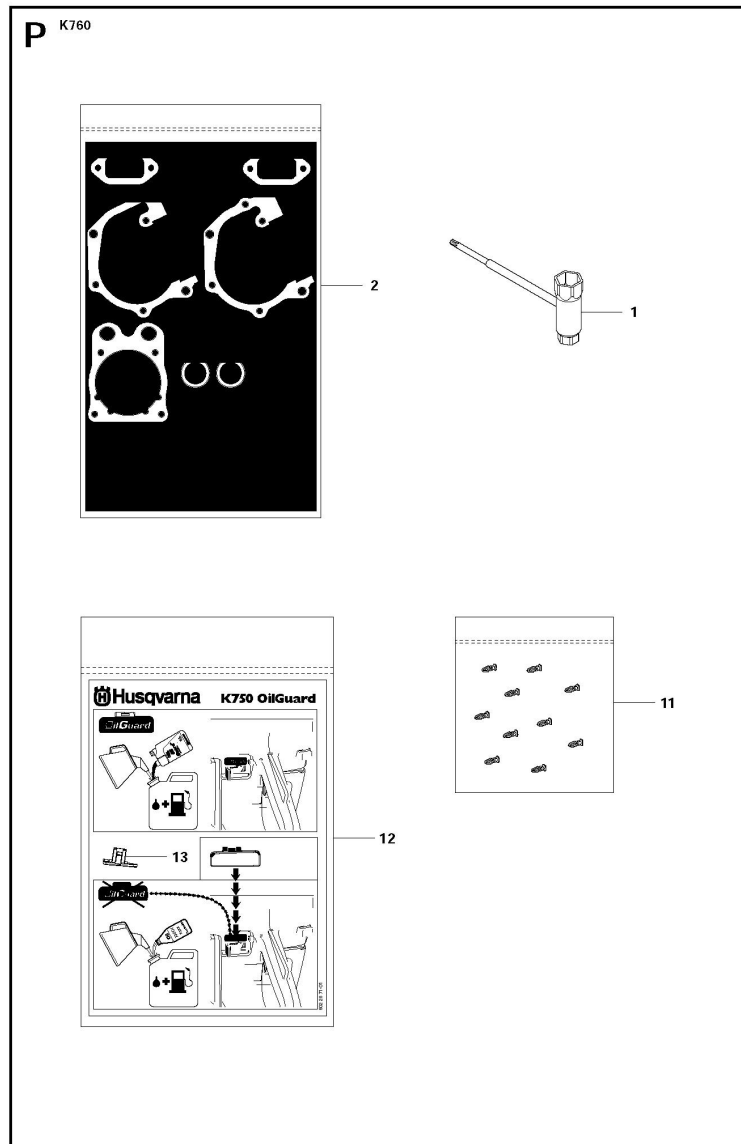
CARBURETOR



Ref	Part No.	Description	QTY	KIT
1	506 38 53-05	GASKET KIT	1	" 2 - 8, 23 "
2	506 41 23-01	GASKET	1	
3	506 37 69-02	GASKET MUFFLER	1	
4	506 37 70-02	GASKET CRANKCASE	1	
5	506 37 70-03	GASKET CRANKCASE	1	
6	544 21 93-02	INSERT	1	
7	503 26 02-04	SEALING RING	2	
8	506 37 67-01	CYLINDER BASE GASKET	1	
9	574 36 23-01	AIR FILTER ASSY	1	10
10	525 47 06-01	AIR FILTER ASSY	1	
11	575 35 40-01	CARBURETTOR BRACKET	1	12
12	503 22 65-04	NUT	4	
13	503 21 53-10	SCREW ITXSCM	2	
14	506 37 06-01	FLANGE INLET PIPE	1	
15	506 36 98-01	INLET PIPE	1	

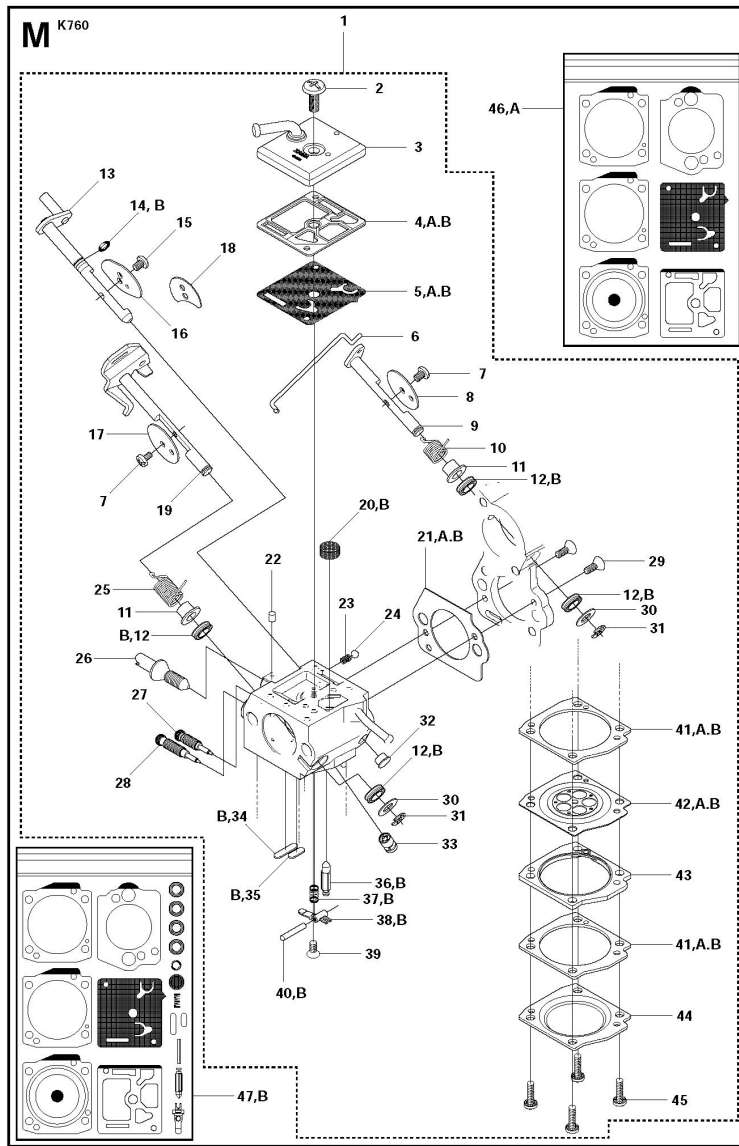
Ref	Part No.	Description	QTY	KIT
16	503 21 53-20	SCREW ITXSCM	1	
17	506 37 05-01	FLANGE INLET PIPE	1	
18	506 36 97-01	INLET PIPE	1	
19	503 40 06-09	IMPULSE HOSE	1	
20	544 35 26-01	PLATE	1	
21	503 21 53-56	SCREW ITXSCM	2	
22	510 18 12-02	CARBURETTOR	1	
23	506 37 68-03	GASKET CARBURETTOR	1	

CARBURETOR DETAILS



Ref	Part No.	Description	QTY	KIT
1	506 38 26-01	COMBINATION TOOL	1	
2	506 38 53-05	GASKET KIT	1	3 - 10
3	506 41 23-01	GASKET	1	
4	506 37 69-02	GASKET MUFFLER	1	
5	506 37 70-02	GASKET CRANKCASE	1	
6	506 37 70-03	GASKET CRANKCASE	1	
7	544 21 93-02	INSERT	1	
8	503 26 02-04	SEALING RING	2	
9	506 37 67-01	CYLINDER BASE GASKET	1	
10	506 37 68-03	GASKET CARBURETTOR	1	
11	502 23 33-01	KIT	1	
12	502 28 70-01	KIT	1	
13	501 01 95-01	SWITCH	1	

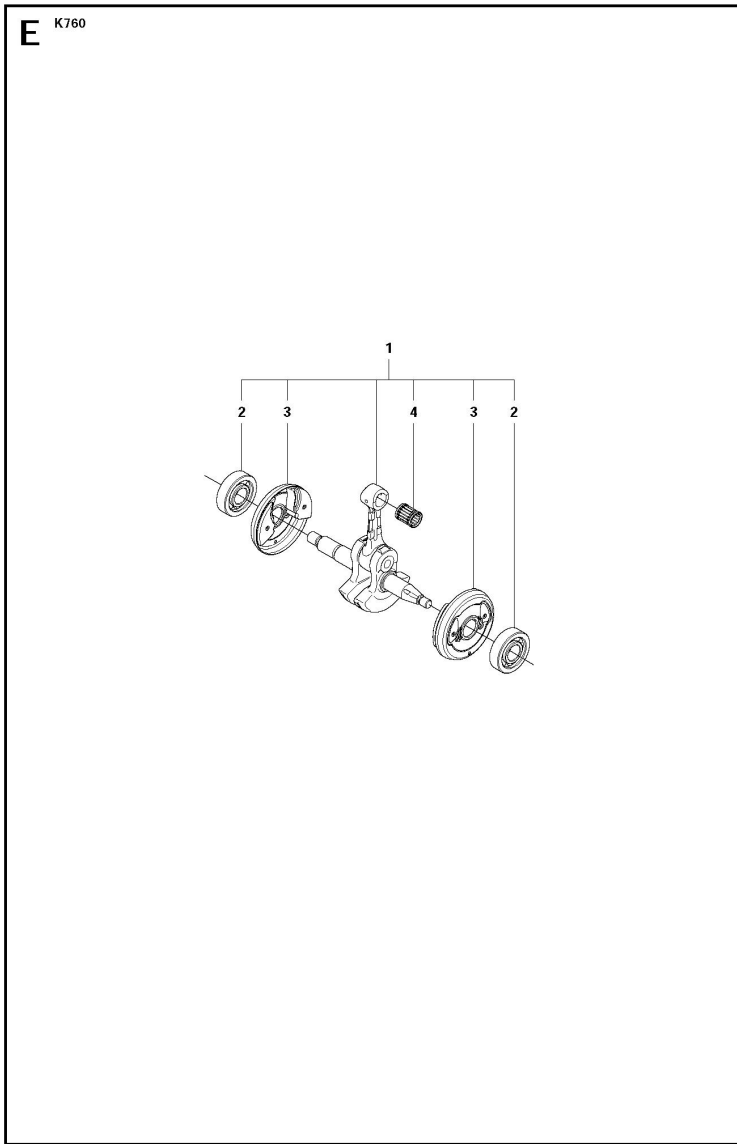
CARBURETOR DETAILS



Ref	Part No.	Description	QTY	KIT
1	510 18 12-02	CARBURETTOR	1	
2	503 47 96-01	SCREW	1	
3	544 83 64-01	PUMP COVER	1	
4	503 61 66-01	GASKET PUMP	1	
5	506 39 60-01	DIAPHRAGM PUMP	1	
6	506 39 65-01	ROD	1	
7	544 08 22-01	SCREW	2	
9	506 39 71-01	SHAFT ASSY	1	
10	506 39 75-01	SPRING	1	
11	506 39 54-01	COLLAR	2	
12	506 39 64-01	QUAD RING	4	
13	506 39 73-01	SHAFT ASSY	1	
14	506 39 90-01	O-RING	1	
15	503 48 18-01	SCREW	1	
16	506 39 78-01	VALVE	1	
17	537 17 70-01	VALVE	1	
19	506 39 74-01	SHAFT ASSY	1	
20	503 53 57-01	STRAINER	1	

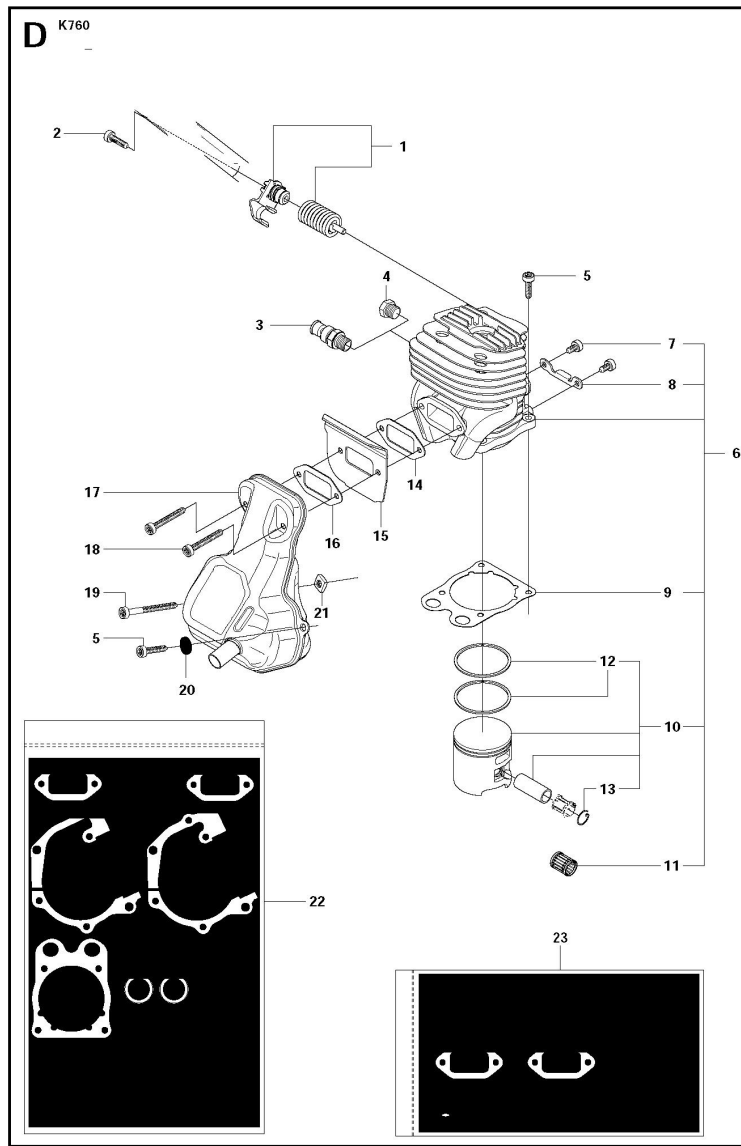
Ref	Part No.	Description	QTY	KIT
21	506 39 58-01	GASKET	1	
22	503 48 11-01	PIECE	1	
23	537 01 26-01	SPRING	1	
24	537 01 25-01	BALL	1	
25	544 83 65-01	SPRING	1	
26	506 39 72-01	SCREW	1	
27	506 39 70-01	SCREW	1	
28	506 39 69-01	SCREW	1	
29	537 38 51-01	SCREW	2	
30	506 39 79-01	WASHER	2	
31	537 38 52-01	CLIP	2	
32	506 39 91-01	PLUG	1	
33	506 39 61-01	NOZZLE ASSY	1	
34	503 53 56-01	PLUG WELCH	1	
35	537 17 78-01	PLUG	1	
36	537 17 62-01	VALVE	1	
37	575 44 13-01	SPRING	1	
38	537 17 64-01	LEVER	1	
39	544 08 21-01	SCREW	1	
40	503 48 00-01	PIN RETAINING SCREW	1	
41	506 39 62-01	GASKET	2	
42	506 39 57-01	DIAPHRAGM ASSY	1	
43	506 39 55-01	COVER	1	
44	506 39 56-01	COVER	1	
45	506 39 66-01	SCREW	4	
46	506 40 99-01	GASKET KIT	1	"4 - 5, 21, 41, 42 "
47	506 41 00-03	GASKET KIT CARB	1	"4-5, 12,14,20,21, 34-38, 40-42"

CRANKSHAFT



Ref	Part No.	Description	QTY	KIT
1	502 29 50-02	CRANKSHAFT ASSY	1	2 - 4
2	738 22 02-25	BALL BEARING	2	
3	537 20 33-01	CUP	2	
4	503 25 56-01	NEEDLE BEARING	1	

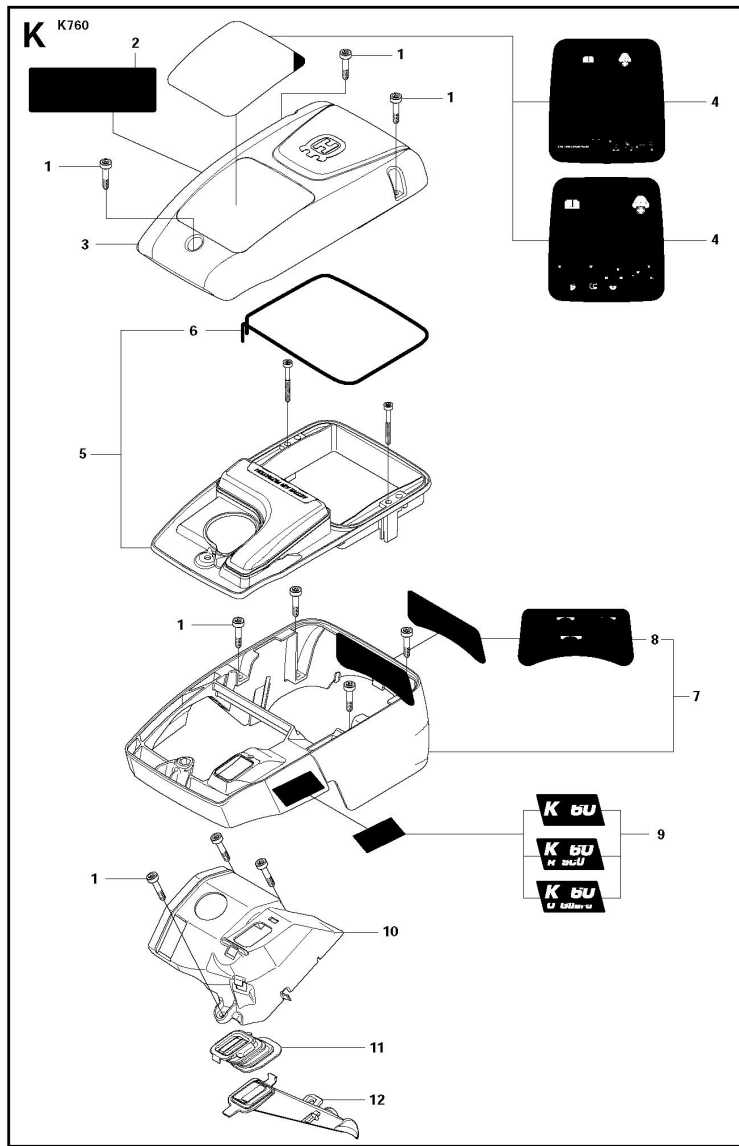
CYLINDER



Ref	Part No.	Description	QTY	KIT
1	505 42 45-01	ANTIVIBRATION ELEMENT	1	
2	544 06 12-01	SCREW ITXSCM	1	
3	503 71 53-01	DECOMPRESSION VALVE	1	
4	503 55 22-01	PLUG	1	
5	503 21 53-25	SCREW ITXSCM	5	
6	520 75 73-04	CYLINDER ASSY	1	7 - 11
7	503 21 53-16	SCREW ITXSCM	2	
8	506 36 88-01	BRACKET	1	
9	506 37 67-01	CYLINDER BASE GASKET	1	
10	506 37 24-01	PISTON ASSY	1	12 - 13
11	503 25 56-01	NEEDLE BEARING	1	
12	503 28 90-47	PISTON RING	2	
13	737 43 12-00	CIRCLIP	2	
14	506 41 23-01	GASKET	1	
15	506 37 58-02	COOLING PLATE	1	
16	506 37 69-02	GASKET MUFFLER	1	
17	506 36 42-04	MUFFLER ASSY	1	
18	503 21 53-40	SCREW ITXSCM	2	

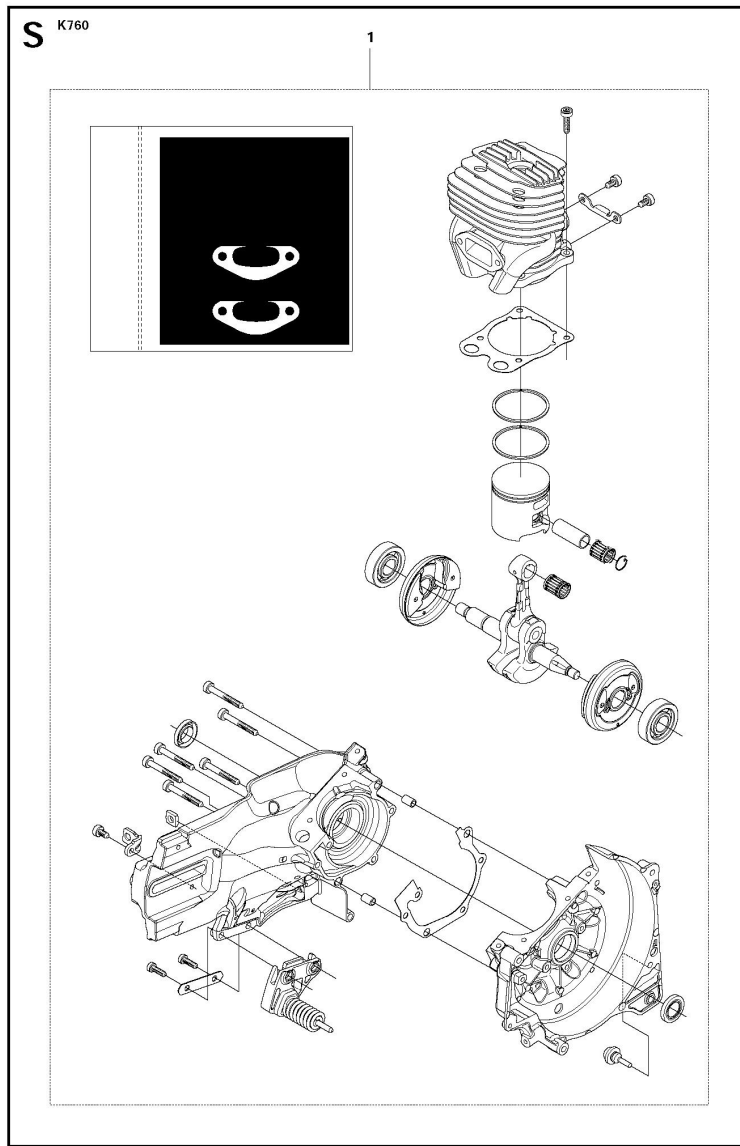
Ref	Part No.	Description	QTY	KIT
19	503 21 53-56	SCREW ITXSCM	1	
20	503 23 04-02	WASHER	1	
21	503 22 65-04	NUT	1	
22	506 38 53-05	GASKET KIT	1	" 9, 14, 16, 24 - 28 "
23	505 25 96-01	ASSEMBLY KIT	1	" 5, 14, 16, 18 - 21 "
24	506 37 70-02	GASKET CRANKCASE	1	
25	506 37 70-03	GASKET CRANKCASE	1	
26	544 21 93-02	INSERT	1	
27	503 26 02-04	SEALING RING	2	
28	506 37 68-03	GASKET CARBURETTOR	1	

DECALS



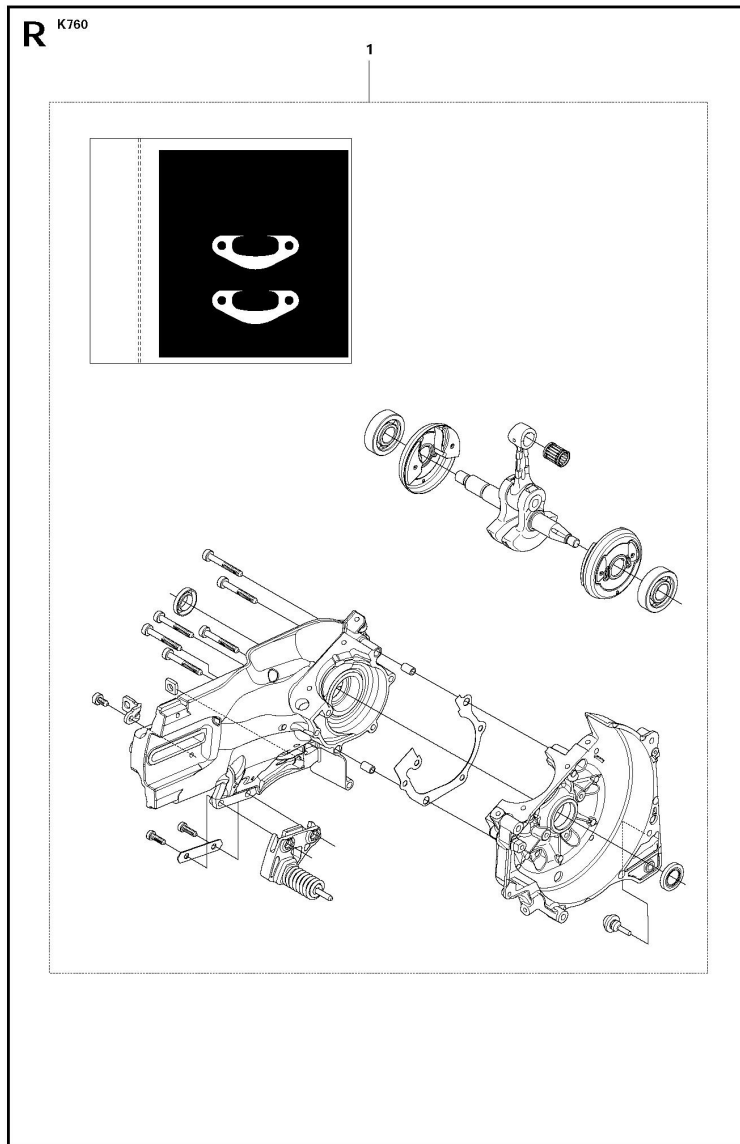
Ref	Part No.	Description	QTY	KIT
1	503 21 53-21	SCREW ITXSCM	10	
2	525 76 35-02	DECAL	1	
3	525 44 43-01	FILTER COVER	1	
4	574 23 14-01	DECAL	1	
4	574 23 14-02	DECAL	1	
5	574 36 21-01	FILTER HOLDER ASSY	1	6
6	575 35 50-01	SEALING STRIP	1	
7	506 39 84-05	CYLINDER COVER ASSY	1	8
8	544 89 09-02	LABEL	1	
9	574 23 16-01	DECAL	1	
9	574 23 16-02	DECAL	1	
9	574 23 16-03	DECAL	1	
10	506 37 02-01	COVER	1	" 12, 13 "
11	506 37 04-01	BELLOWS	1	
12	525 58 43-01	AIR NOZZLE	1	

ENGINE



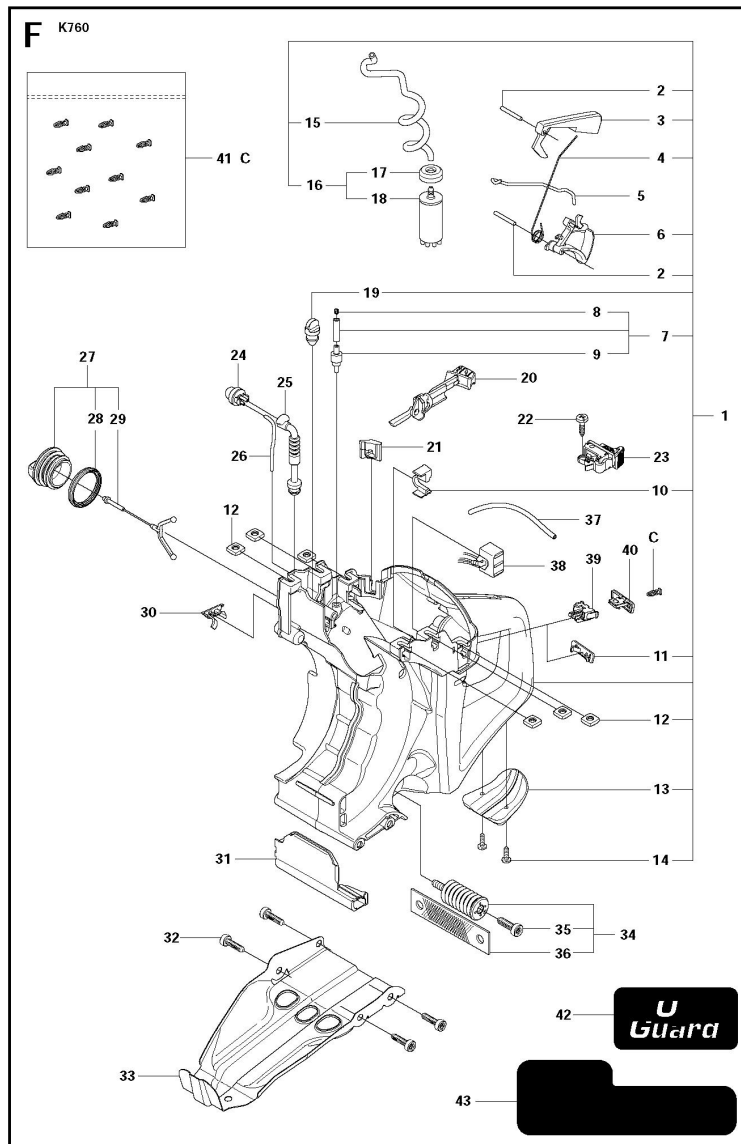
Ref	Part No.	Description	QTY	KIT
1	574 36 41-02	CRANKCASE ASSY	1	

ENGINE



Ref	Part No.	Description	QTY	KIT
1	574 36 41-05	CRANKCASE ASSY	1	

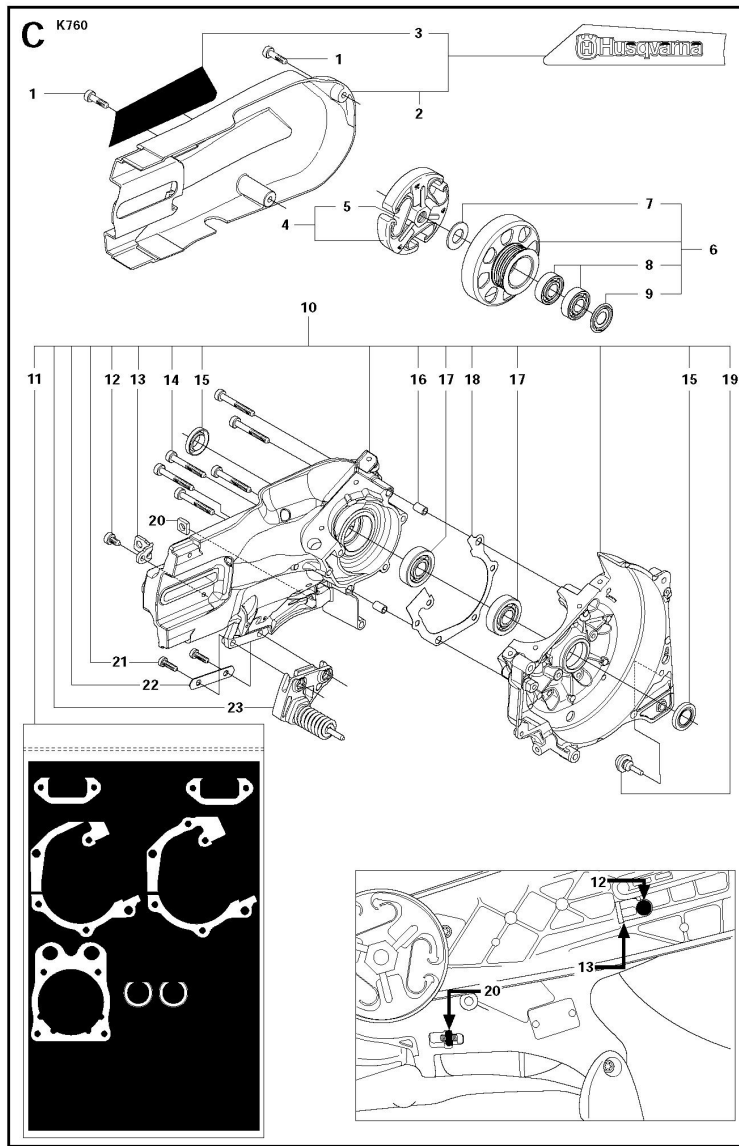
FUEL TANK



Ref	Part No.	Description	QTY	KIT
1	506 38 65-13	FUEL TANK	1	" 2 - 4, 6 - 7, 10 - 16 "
2	720 12 40-20	PARALLEL PIN	2	
3	506 22 28-02	THROTTLE LOCKOUT	1	
4	506 37 95-01	SPRING	1	
5	506 37 13-01	THROTTLE ROD	1	
6	506 37 20-03	THROTTLE TRIGGER	1	
7	506 38 66-01	TANK VENT ASSY	1	8 - 9
8	504 35 72-01	SINTER PLUG	1	
9	503 16 40-01	TANK VENT	1	
10	544 39 32-01	HOSE CLIP	1	
11	501 37 13-01	LID	1	
12	503 22 65-04	NUT	6	
13	506 38 67-02	GROUND SUPPORT	1	
14	503 21 45-16	SCREW CRCSFT	2	
15	544 32 50-03	FUEL HOSE	1	
16	506 26 41-11	FUEL FILTER	1	17 - 18
17	506 27 11-01	HOSE CLAMP	1	
18	506 26 41-01	FUEL FILTER	1	

Ref	Part No.	Description	QTY	KIT
19	574 40 57-01	SEALING PLUG	1	
20	544 22 90-02	CHOKE CONTROL	1	
21	506 37 80-01	GROMMET	1	
22	503 21 28-10	SCREW CCRPANT	1	
23	506 31 86-02	STOP SWITCH	1	
24	503 93 66-01	PRIMER HOUSING	1	
25	505 19 52-01	FUEL HOSE	1	
26	537 04 24-14	FUEL HOSE	1	
27	506 25 59-03	TANK CAP ASSY	1	28 - 29
28	506 29 21-01	GASKET	1	
29	503 57 89-01	HOLDER	1	
30	506 39 46-02	CAP	1	
31	506 38 15-01	HEAT SHIELD	1	
32	503 21 54-20	SCREW ITXSCT	4	
33	506 37 19-02	BASE PLATE	1	
34	537 21 03-07	ANTIVIBRATION ELEMENT	1	35 - 36
35	544 06 12-01	SCREW ITXSCM	1	
36	544 23 82-01	BAND	1	
37	544 32 49-37	FUEL HOSE	1	
38	544 38 41-01	ELECTRONIC BOX	1	
39	501 01 88-01	HOUSING	1	
40	501 01 94-01	SWITCH	1	
41	502 23 33-01	KIT	1	
42	501 31 89-01	LABEL	1	

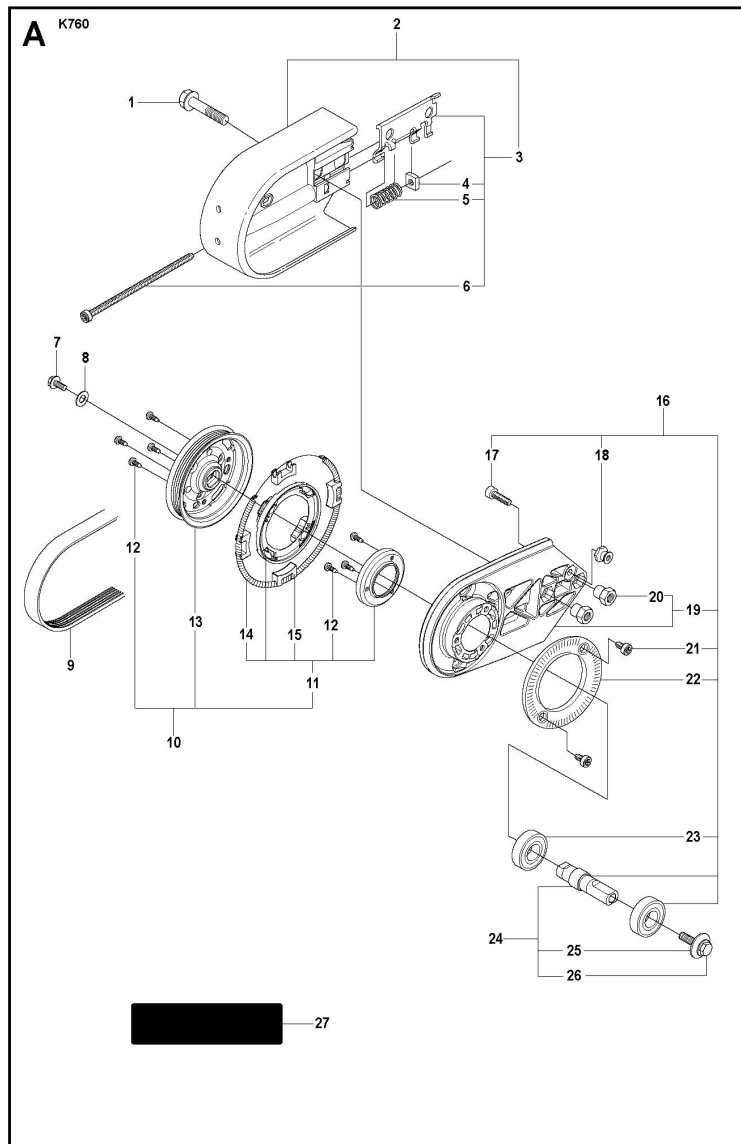
GUARDS



Ref	Part No.	Description	QTY	KIT
1	501 98 10-20	SCREW ITXSCM	2	
2	522 98 08-01	BELT GUARD ASSY	1	3
3	544 89 11-01	LABEL	1	
4	503 74 44-06	CLUTCH ASSY	1	5
5	503 74 43-01	CLUTCH SPRING	3	
6	502 28 92-02	DRIVING PULLEY ASSY	1	7 - 9
7	503 23 00-70	WASHER STEEL	1	
8	525 83 18-01	BALL BEARING	2	
9	506 31 69-01	DUST COVER	1	
10	574 36 41-01	CRANKCASE ASSY	1	" 11 - 19, 21 - 23 "
11	506 38 53-05	GASKET KIT	1	" 15, 18, 24 - 29 "
12	501 98 10-01	SCREW ITXSCM	1	
13	544 00 78-01	BRACKET	1	
14	503 21 53-41	SCREW ITXSCM	6	
15	503 26 02-04	SEALING RING	2	
16	501 27 08-01	GUIDE BUSHING	2	
17	738 22 02-25	BALL BEARING	2	
18	506 37 70-03	GASKET CRANKCASE	1	

Ref	Part No.	Description	QTY	KIT
19	503 84 61-01	BUFFER	1	
20	503 22 65-04	NUT	1	
21	503 21 53-16	SCREW ITXSCM	2	
22	522 47 48-01	PLATE	1	
23	522 47 57-01	SPRING RETAINER	1	
24	506 41 23-01	GASKET	1	
25	506 37 69-02	GASKET MUFFLER	1	
26	506 37 70-02	GASKET CRANKCASE	1	
27	544 21 93-02	INSERT	1	
28	506 37 67-01	CYLINDER BASE GASKET	1	
29	506 37 68-03	GASKET CARBURETTOR	1	

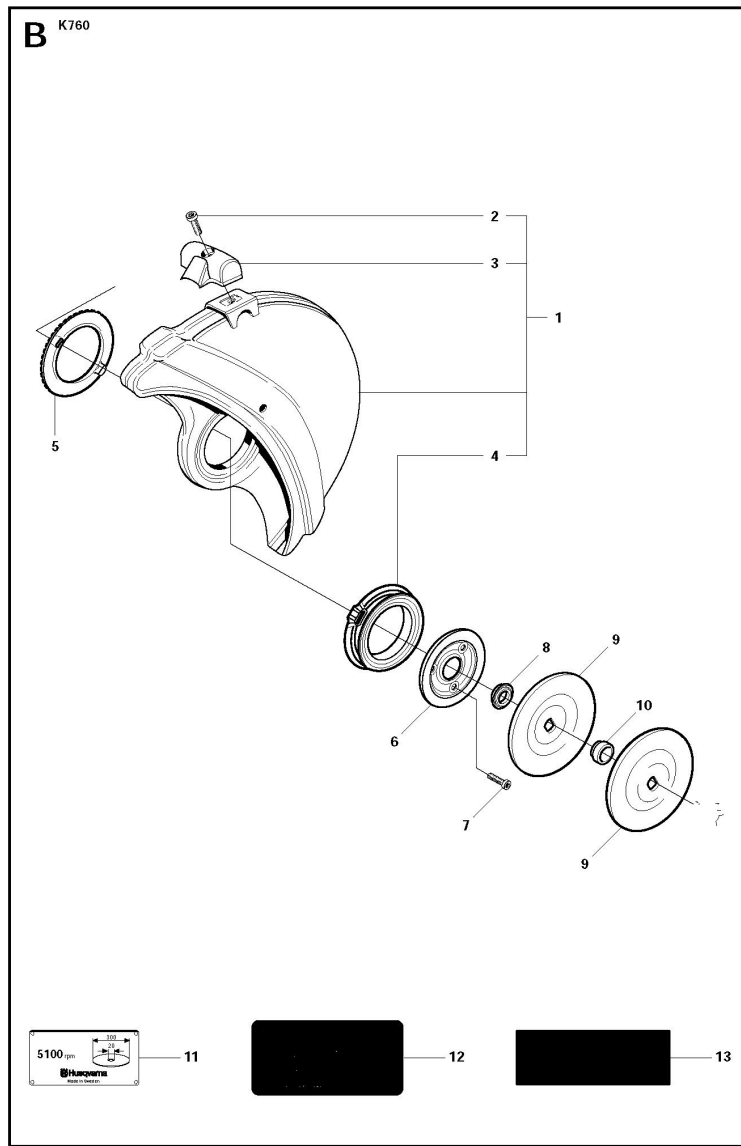
GUARDS



Ref	Part No.	Description	QTY	KIT
1	506 28 44-01	SCREW EHHFM	2	
2	506 39 36-02	BELT GUARD	1	3
3	506 26 66-04	BELT TENSIONER ASSY	1	4 - 6
4	506 40 93-01	NUT	1	
5	506 26 68-01	COMPRESSION SPRING	1	
6	503 20 72-05	SCREW CITXSCM	1	
7	503 20 00-45	SCREW EHHFM	1	
8	503 23 01-16	WASHER STEEL	1	
9	544 90 84-02	BELT	1	
10	504 03 70-07	PULLEY	1	11 - 13
11	505 44 54-03	CASSETTE	1	" 12, 14 - 15 "
12	503 21 28-10	SCREW CCRPANT	7	
13	504 06 22-01	PULLEY	1	
14	544 44 10-01	DRAW SPRING	1	
15	544 44 04-02	BRAKE SHOE	4	
16	506 39 42-08	BEARING HOUSING	1	" 17 - 19, 21 - 23 "
17	505 57 41-16	SCREW ITXSCM	1	
18	506 14 32-01	TORSION STOP	1	

Ref	Part No.	Description	QTY	KIT
19	506 39 42-06	BEARING HOUSING	1	20
20	506 28 73-01	NUT	2	
21	503 21 53-10	SCREW ITXSCM	2	
22	506 28 84-01	SCREEN PATTERN FLANG	1	
23	503 25 21-01	BALL BEARING	2	
24	506 29 83-65	SHAFT	1	25 - 26
25	506 13 95-11	WASHER	1	
26	506 13 96-01	SCREW EHHFM	1	

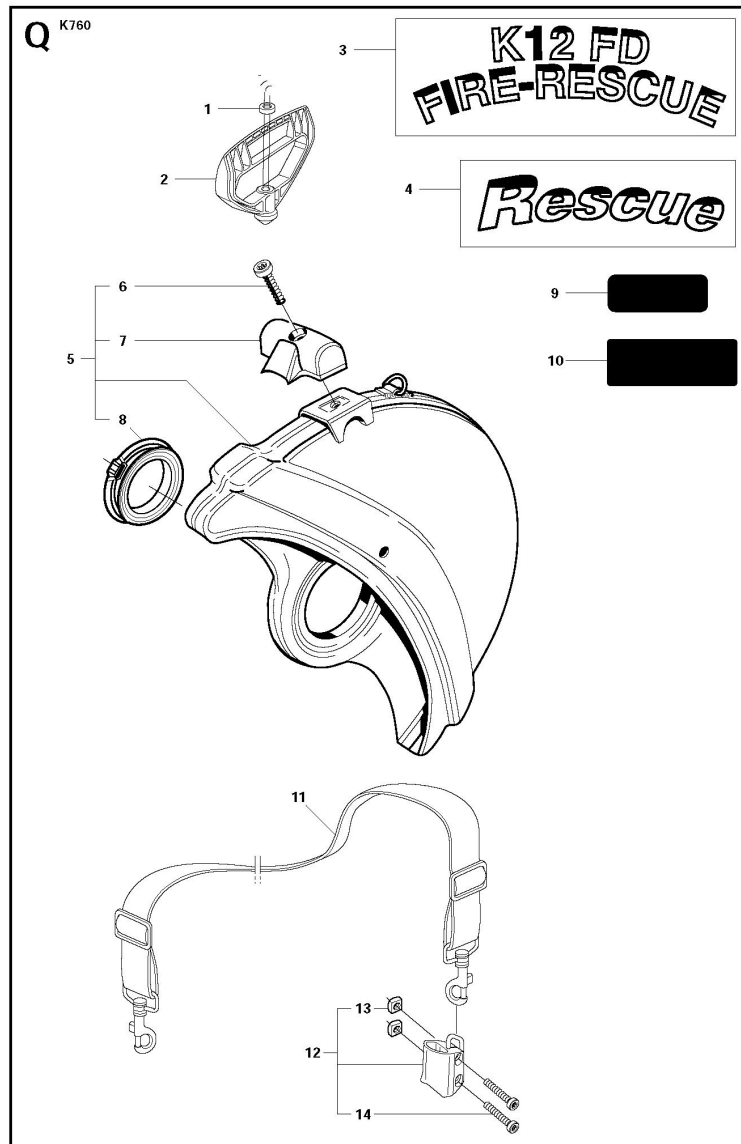
GUARDS



Ref	Part No.	Description	QTY	KIT
1	506 34 05-42	WHEEL GUARD ASSY	1	2 - 4
1	506 34 05-44	WHEEL GUARD ASSY	1	2 - 4
2	503 21 53-20	SCREW ITXSCM	1	
3	506 34 46-02	HANDLE	1	
4	506 26 63-02	LINING	1	
5	506 26 64-01	SCREEN PATTERN FLANG	1	
6	506 26 65-01	FLANGE	1	
7	505 57 41-16	SCREW ITXSCM	3	
8	506 32 48-01	SUPPORT FLANGE	1	
9	506 02 87-01	FLANGE WASHER	2	
9	506 07 09-01	FLANGE WASHER	2	
10	506 37 96-20	KIT	1	
10	506 37 96-22	KIT	1	
10	506 37 96-25	KIT	1	
10	506 02 88-30	BUSHING	1	
11	506 28 41-04	LABEL	1	
11	506 28 41-02	LABEL	1	
11	506 28 41-14	LABEL	1	

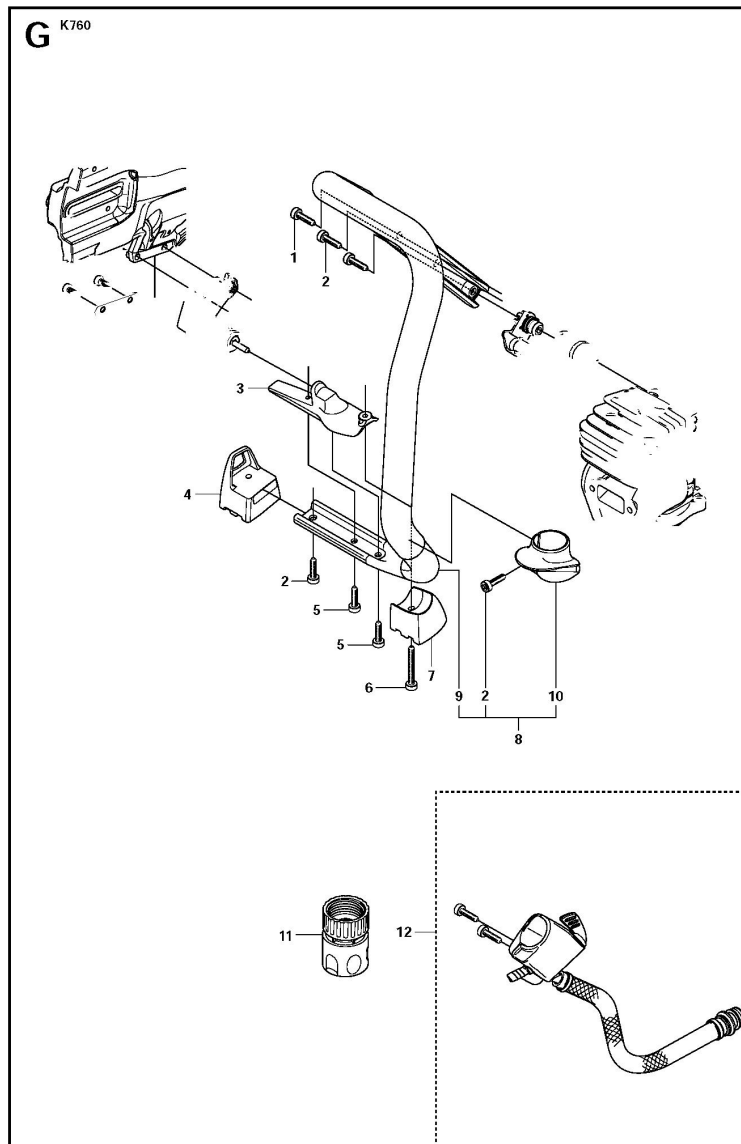
Ref	Part No.	Description	QTY	KIT
11	506 28 41-12	LABEL	1	

HANDLE



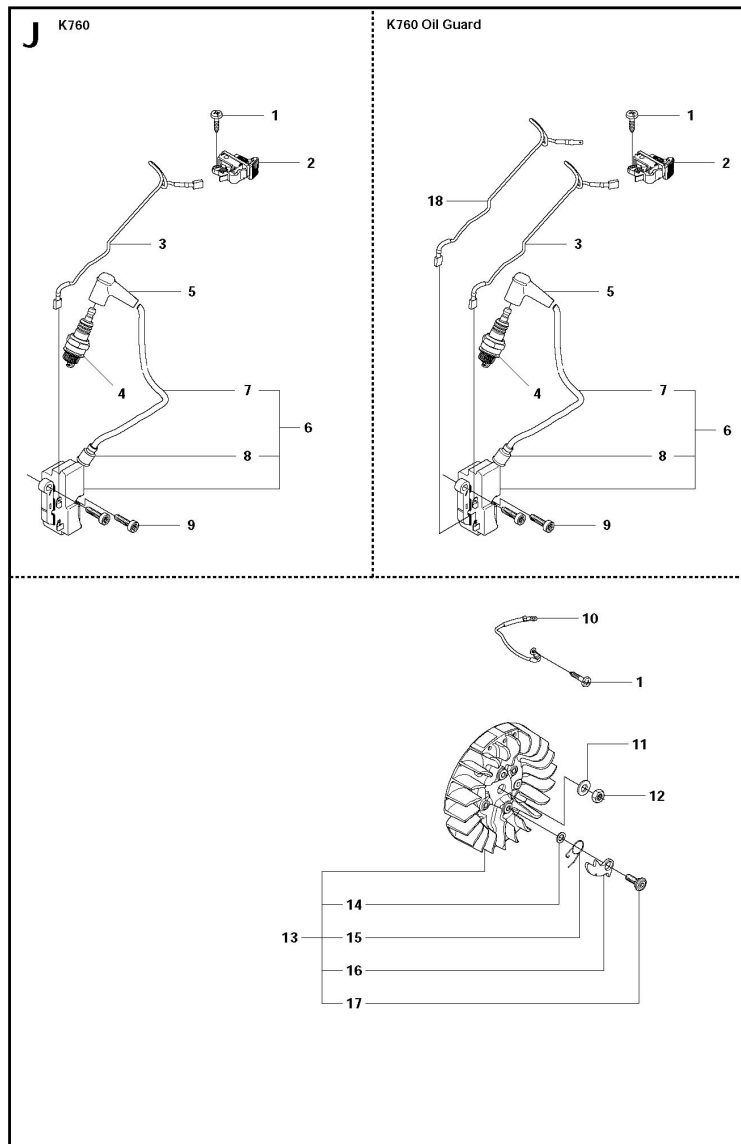
Ref	Part No.	Description	QTY	KIT
1	503 14 29-02	WASHER	1	
2	506 29 75-02	STARTER HANDLE	1	
3	506 32 20-02	LABEL	1	
4	506 30 23-02	LABEL	2	
5	506 34 05-52	WHEEL GUARD ASSY	1	6 - 8
6	503 21 53-20	SCREW ITXSCM	1	
7	506 34 46-02	HANDLE	1	
8	506 26 63-02	LINING	2	
9	544 89 06-02	LABEL	1	
10	506 32 22-02	LABEL	1	
11	506 29 76-01	SHOULDER STRAP	1	
12	506 30 25-04	BRACKET	1	" 13, 14 "
13	503 22 65-04	NUT	2	
14	503 21 53-16	SCREW ITXSCM	2	

HANDLE



Ref	Part No.	Description	QTY	KIT
1	544 06 12-01	SCREW ITXSCM	3	
2	503 21 54-20	SCREW ITXSCT	4	
3	506 37 72-02	SPRING RETAINER	1	
4	522 83 23-01	GROUND SUPPORT	1	
5	503 21 53-10	SCREW ITXSCM	2	
6	503 21 53-40	SCREW ITXSCM	1	
7	522 83 24-01	GROUND SUPPORT	1	
8	506 38 58-04	HANDLE	1	" 4, 9 - 10 "
9	506 37 11-03	FRONT HANDLE	1	
10	506 38 71-02	STOP	1	
11	503 26 60-03	COUPLER	1	
11	503 26 60-04	COUPLER	1	
12	505 09 55-01	HOSE KIT	1	

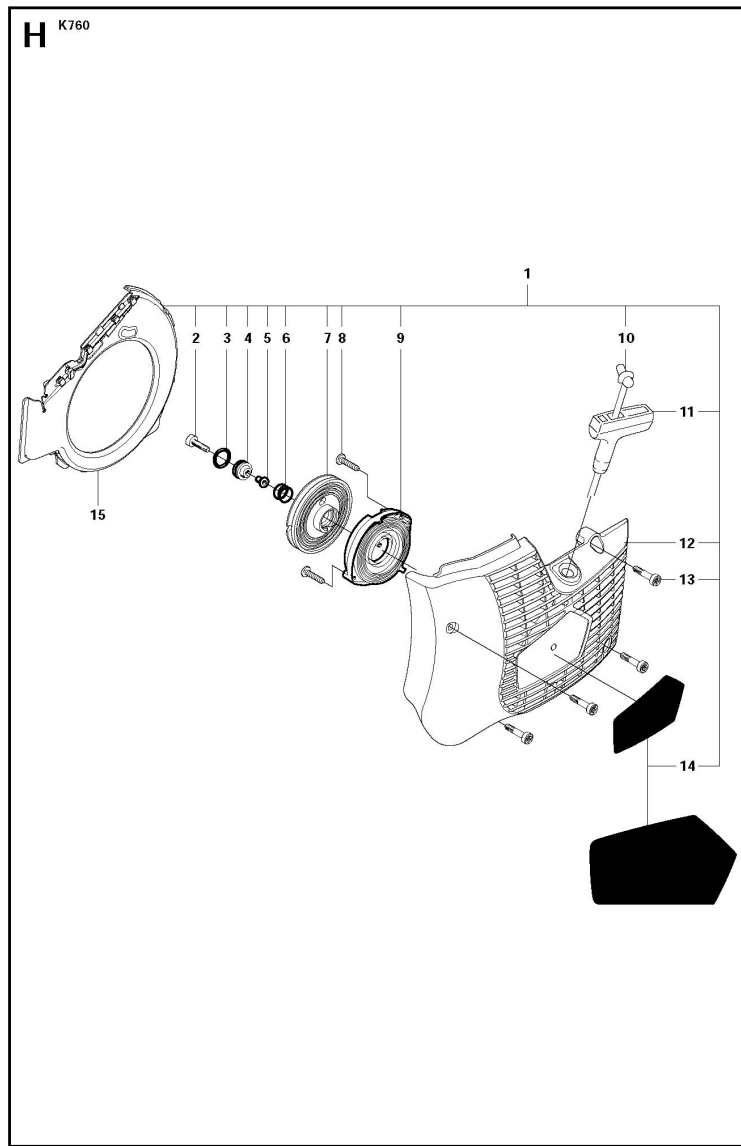
IGNITION SYSTEM



Ref	Part No.	Description	QTY	KIT
1	503 21 28-10	SCREW CCRPANT	2	
2	506 31 86-02	STOP SWITCH	1	
3	506 37 84-02	CABLE	1	
3	544 97 93-01	CABLE	1	
4	503 23 51-09	SPARK PLUG	1	
5	501 48 54-02	SPARK PLUG CAP	1	
6	510 11 56-01	IGNITION MODULE	1	7 - 8
7	506 38 78-34	IGNITION CABLE	1	
8	505 27 75-16	ISOLERHATT	1	
9	503 21 53-20	SCREW ITXSCM	2	
10	506 37 85-01	CABLE	1	
11	503 23 01-01	WASHER STEEL	1	
12	503 22 10-11	NUT	1	
13	501 37 56-01	FLYWHEEL	1	14 - 17
14	503 23 00-42	WASHER STEEL	2	
15	501 63 48-01	SPRING	2	
16	501 67 32-03	PAWL	2	
17	506 00 69-01	SCREW	2	

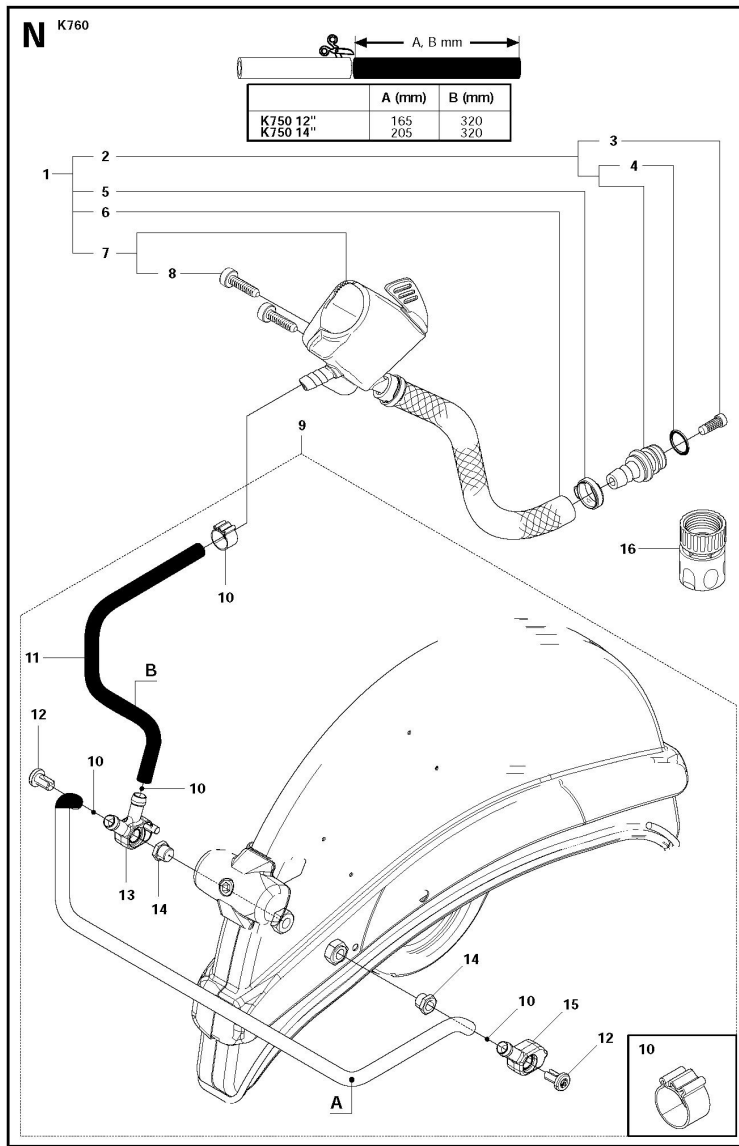
Ref	Part No.	Description	QTY	KIT
18	544 38 49-01	CABLE	1	

STARTER



Ref	Part No.	Description	QTY	KIT
1	574 36 20-01	STARTER	1	2 - 15
2	510 26 92-22	SCREW ITXSCT	1	
3	740 43 13-00	O-RING	1	
4	510 00 08-01	SEALING HOLDER	1	
5	506 26 31-01	SPACING SLEEVE	1	
6	506 25 30-01	COMPRESSION SPRING	1	
7	506 25 81-02	STARTER PULLEY	1	
8	503 21 28-10	SCREW CCRPANT	2	
9	506 25 89-01	RECOIL SPRING	1	
10	506 33 56-15	STARTER CORD	1	
10	506 33 56-50	STARTER CORD	1	
11	503 12 79-01	STARTER HANDLE	1	
12	525 44 60-01	STARTER COVER	1	
13	501 98 10-20	SCREW ITXSCT	4	
14	525 57 11-01	DECAL	1	
15	544 38 39-01	AIR CONDUCTOR	1	

VALVES



Ref	Part No.	Description	QTY	KIT
1	505 09 55-01	HOSE KIT	1	" 2, 5 - 7 "
2	506 29 57-02	NIPPLE	1	" 3, 4 "
3	506 29 88-01	FILTER	1	
4	505 10 35-01	O-RING	1	
5	506 49 87-02	HOSE CLAMP	1	
6	506 60 75-01	HOSE	1	
7	506 38 60-12	VALVE ASSY	1	8
8	503 21 54-20	SCREW ITXSCT	2	
9	505 09 54-01	HOSE KIT	1	10 - 15
10	506 49 87-01	HOSE CLAMP	4	
11	506 60 68-66	HOSE	1	
12	504 63 46-01	SCREW ITXSCM	2	
13	504 63 44-01	HOUSING	1	
14	504 63 42-01	NIPPLE	2	
15	504 63 45-01	HOUSING	1	
16	503 26 60-03	COUPLER	1	
16	503 26 60-04	COUPLER	1	