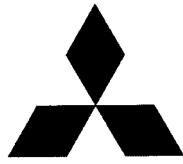


PARTS CATALOG



MITSUBISHI

Generator

Model

MGE13000TS3

Spec. No. RGV10K77040

Spec. No. EH650DA2780

ISSUE EMD-GP6577

ISSUE DATE 2008.12

CONTENTS

ENGINE PARTS

		FIG.
1	CRANKCASE	100
2	CRANK, PISTON	200
3	INTAKE, EXHAUST	300,315
4	GOVERNOR	400
5	COOLING, STARTING	500
6	FUEL, LUBRICANT	600,640
7	ELECTRIC DEVICE	700,730

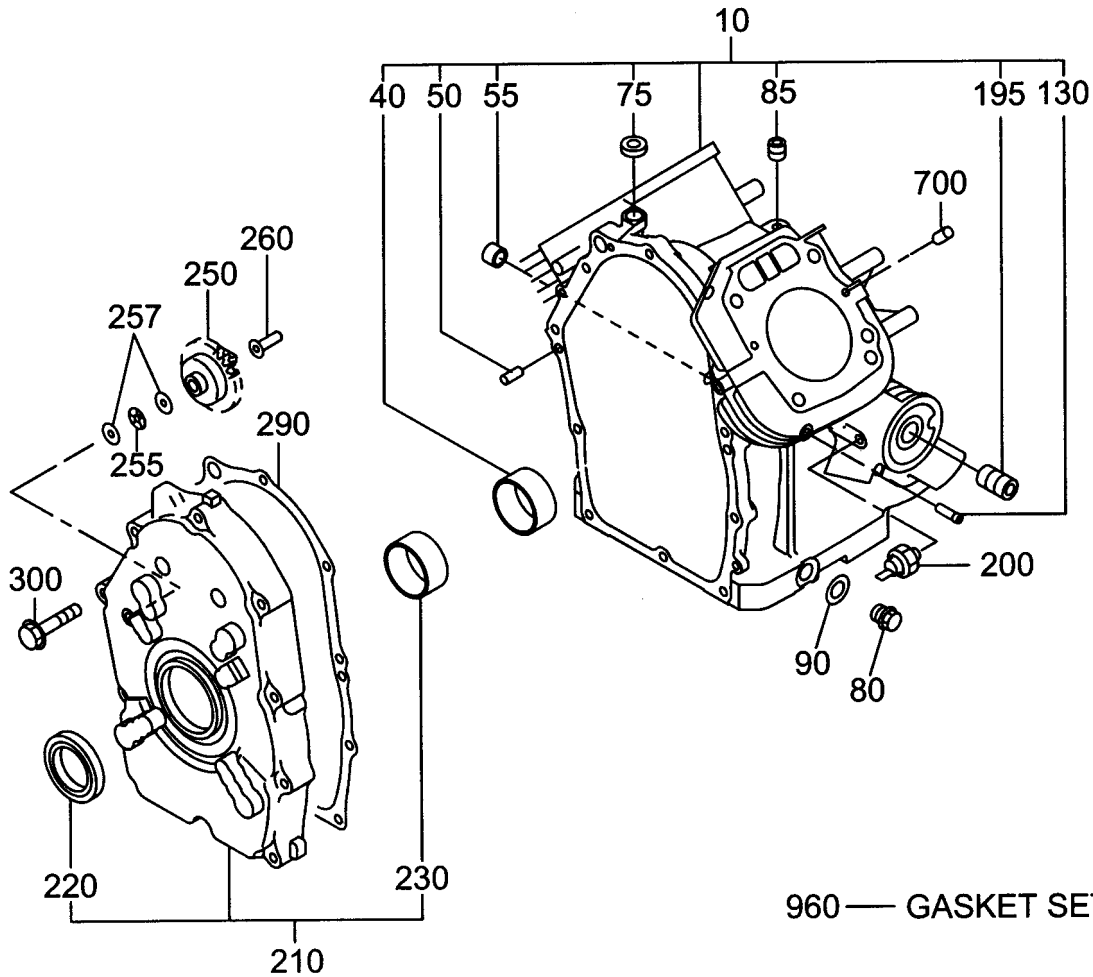
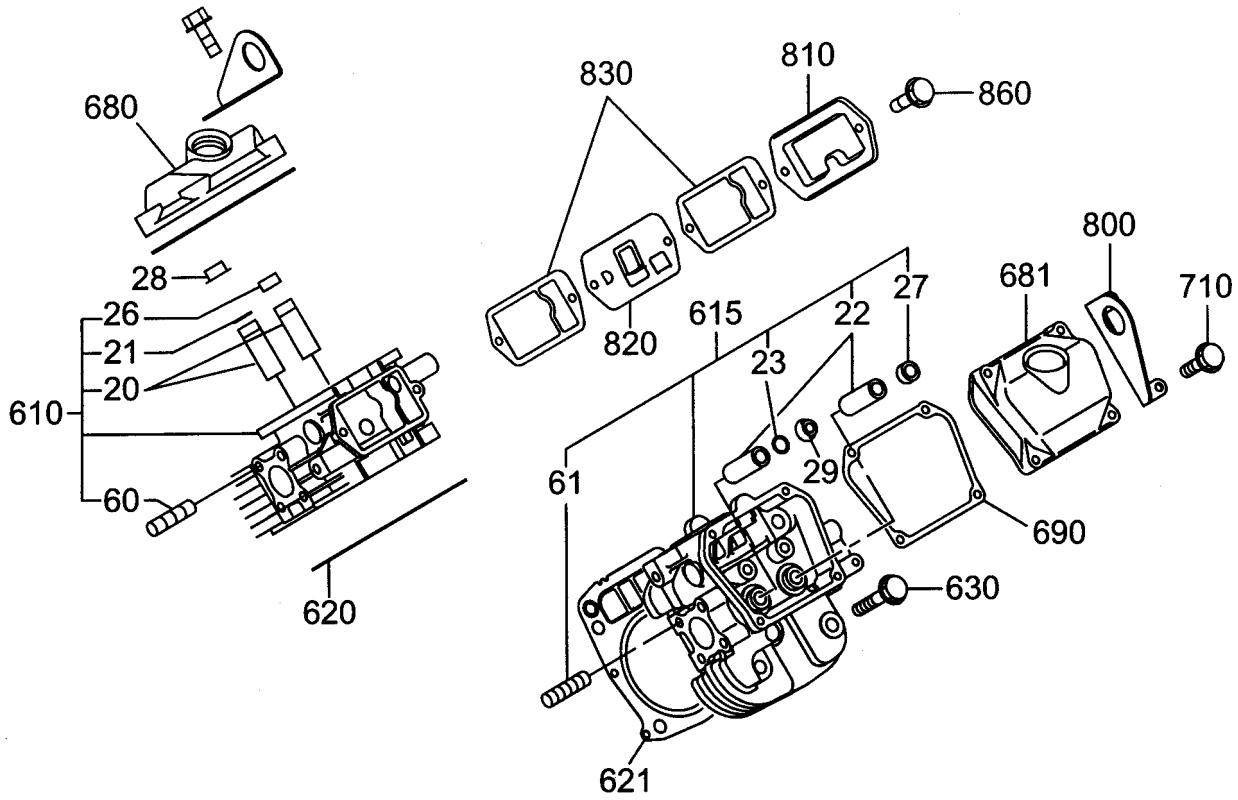
GENERATOR PARTS

22	GENERATOR	2200
23	PIPE FRAME	2300
24	CONTROL BOX	2400
26	FUEL TANK	2600
29	ACCESSORIES	2900
30	WHEEL	3000

Table of abbreviations

ABBREVIATIONS	DESCRIPTION
A	AMPERE
AC	AIR CLEANER
AY	ASSEMBLY
B	BREADTH
BB	BALL BEARING
CD	CENTER DISTANCE
CP	COMPLETE
D	DIAMETER
EX	EXPORT
EX	EXHAUST
FIG	FIGURE
FR	FRONT
H	HEIGHT
HZ	HERTZ
IN	INCH
IN	INTAKE
L	LITER
L	LENGTH
LH	LEFT HAND
MG	MAGNETIC
N	NUMBER
N R Y	NEW ROBIN YELLOW
OS	OIL SENSOR
O.S.	OVER SIZE
P	PITCH
PD	PITCH DIAMETER
PTO	POWER TAKE OFF
REF	REFERENCE
RH	RIGHT HAND
RR	REAR
ST	STARTER
STD	STANDARD
SW	SPRING WASHER
SW	SWITCH
T	THICKNESS
TH	THROTTLE
UN	UNIT
U.S.	UNDER SIZE
V	VOLTAGE
W	WASHER
W	WATT
W	WIDTH
W/	WITH
W/O	WITHOUT

FIG. 100



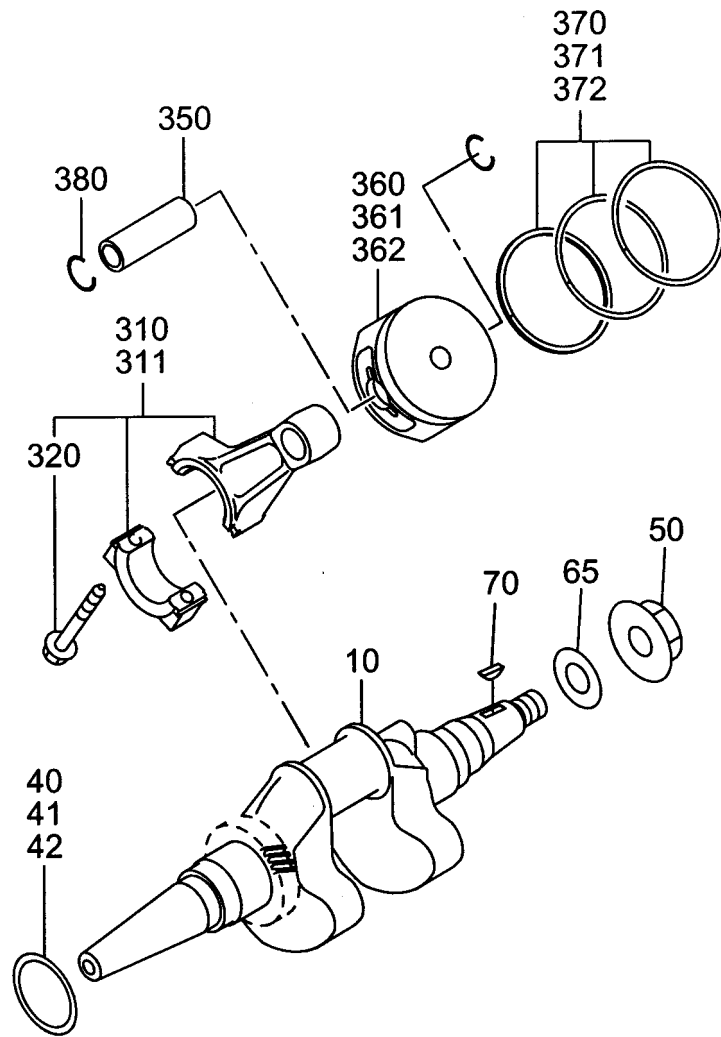
1 CRANK CASE GROUP

REF.	PART NUMBER	PART NAME	QTY	R E M A R K S	CODE NO.	INTERCHANGE P/NO.	UNIT P	FIG.
10	KY2631011101	CRANK CASE CP	1		-			100
20	KY2631421103	VALVE GUIDE	2	6DX11DX32.5L	-			100
21	KY0565100050	CLIP	1	10.7DX0.9D	-			100
22	KY2631421103	VALVE GUIDE	2	6DX11DX32.5L	-			100
23	KY0565100050	CLIP	1	10.7DX0.9D	-			100
26	KY13207AA050	SEAL-INT VALVE	1		-			100
27	KY13207AA050	SEAL-INT VALVE	1		-			100
28	KY2633534103	RETAINER PLATE	1	11DX17.3DX27DX4.7H	-			100
29	KY2633534103	RETAINER PLATE	1	11DX17.3DX27DX4.7H	-			100
40	KY2631580203	MAIN BEARING	1	45DX50DX23B W/STOPER	-			100
50	KY0310080100	DOWEL PIN	2		7122-			100
55	KY2635560103	PIPE	2	11DX8.8DX8L	6910-			100
60	KY0105080290	STUD	4	M8X1.25X30L	-			100
61	KY0105080290	STUD	4	M8X1.25X30L	-			100
75	KY0440080010	OIL SEAL	1	8DX14DX4B	-			100
80	KY0401140030	PLUG	2	M14X1.5X20DX12L	-			100
85	KY2351542103	BLIND PLUG	1	PT1/8X8L	-			100
90	KY0211140020	GASKET	2	14.1DX19DX2.3T	-			100
130	KY1596540103	PIPE (PULSE)	1	4DX6DX25L	-			100
195	KY2631590103	UNION	1	3/4X16UNFX30L	-			100
200	KY26376102H1	SWITCH OIL PRESSURE	1		-			100
210	KY2631110151	MAINBEARING COVER CP	1					100
220	KY0440420030	OIL SEAL	1	42DX60DX9B	-			100
230	KY2631580203	MAIN BEARING	1	45DX50DX23B W/STOPER	-			100
250	KY2634500301	GOVERNOR GEAR CP	1	52DX26T N=25	-			100
255	KY26346215A3	THRUST BEARING	1	6.4DX17.5DX2T	-			100
257	KY26346214A3	WASHER	2	6DX19DX1T	-			100
260	KY2774190103	GOVERNOR SLEEVE	1	6DX7.6DX16DX26L	-			100
290	KY26316002A3	GASKET (M.B COVER)	1	T=0.5	-			100
300	KY0110080220	FLANGE BOLT	10	M8X1.25X17DX45L	-			100
610	KY2631321101	CYLINDER HEAD 1 CP	1		-			100
615	KY2631331101	CYLINDER HEAD 2 CP	1		-			100
620	KY2631502121	GASKET 1 (CYL HEAD)	1		7047-			100
621	KY2631512111	GASKET 2 (CYL HEAD)	1		-			100
630	KY0110100070	FLANGE BOLT	8	M10X1.25X19DX65L	-			100
680	KY28015501A3	ROCKER COVER	1		-			100
681	KY26315501A3	ROCKER COVER	1		-			100
690	KY26316101A3	GASKET (ROCKER COVER)	2	T=0.4	-			100
700	KY0310060020	DOWEL PIN	4	6DX14.5L	-			100
710	KY0110060101	FLANGE BOLT	8	M6X1.0X13DX28L	-			100

1 CRANK CASE GROUP

REF.	PART NUMBER	PART NAME	QTY	R E M A R K S	CODE NO.	INTERCHANGE P/NO.	UNIT P	FIG.
800	KY28019001A3	HOOK	2		-			100
810	KY2631430103	BREATHER COVER	1		-			100
820	KY28014401A1	BREATHER PLATE CP	1		-			100
830	KY2631600603	GASKET (BREATHERPLATE)	2	T=1.5	-			100
860	KY0110060030	FLANGE BOLT	2	M6X1.0X14DX14L	-			100
960	KY2639900127	GASKET SET	1		-			100

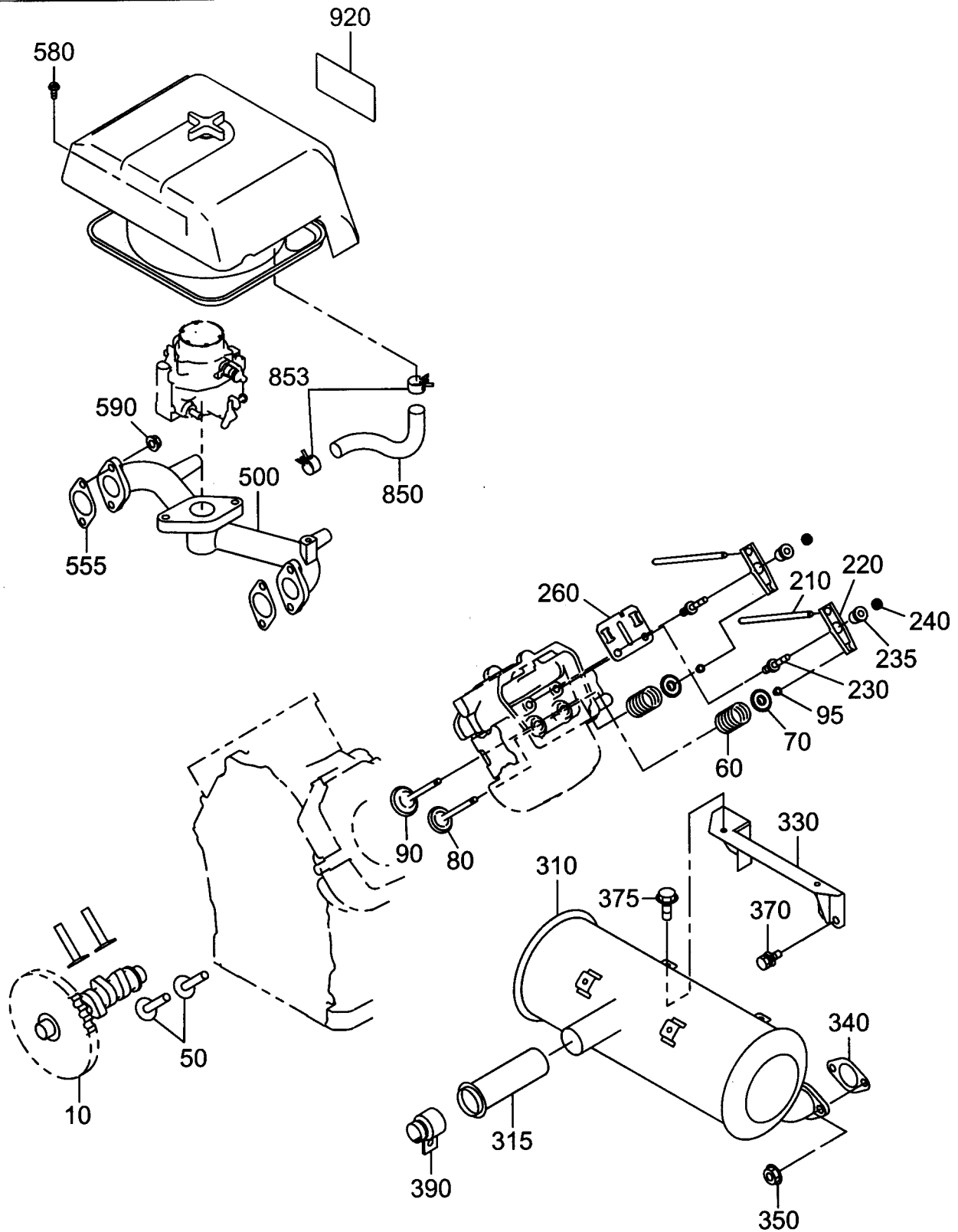
FIG. 200



2 CRANK, PISTON GROUP

REF.	PART NUMBER	PART NAME	QTY	REMARKS	CODE NO.	INTERCHANGE P/NO.	UNIT P	FIG.
10	KY2632120111	CRANK SHAFT CP	1	L=396 35DX2.25/12TAP	-			200
40	KY26325012A3	SPACER	1	45.3DX58DX0.8T	-			200
41	KY26325013A3	SPACER	1	45.3DX58DX1.0T	-			200
42	KY26325014A3	SPACER	1	45.3DX58DX1.2T	-			200
50	KY0180180010	FLANGE NUT	1	M18X15X31DX14H	-			200
65	KY0031018000	WASHER	1		-			200
70	KY0053205401	WOODRUFF KEY	1		-			200
310	KY2632260110	CONNECTING ROD AY	2	117CDX30B 39D-21D	-			200
311	KY2632260210	CONNECTING ROD AY	2	0.25 U.S.	-			200
320	KY0010508400	FLANGE BOLT	4		-			200
350	KY2632330133	PISTON PIN	2	21DX15DX64.2L	6666-			200
360	KY2632340103	PISTON	2	STD (80DX55H)	-			200
361	KY2632340203	PISTON	2	0.25 O.S. (80DX55H)	-			200
362	KY2632340303	PISTON	2	0.50 O.S. (80DX55H)	-			200
370	KY2632350117	PISTON RING SET	2	STD (80D)	-			200
371	KY2632350217	PISTON RING SET	2	0.25 O.S. (80D)	-			200
372	KY2632350317	PISTON RING SET	2	0.50 O.S. (80D)	-			200
380	KY0565210020	CLIP	4	22.1DX1.4D	-			200

FIG. 300



3 INTAKE, EXHAUST GROUP

REF.	PART NUMBER	PART NAME	QTY	R E M A R K S	CODE NO.	INTERCHANGE P/NO.	UNIT P	FIG.
10	KY2803170113	CAM SHAFT	1	L=169 133DX12B N=66	-			300
50	KY26333301A3	TAPPET	4	27DX9DX48L	-			300
60	KY2463361103	VALVE SPRING	4	22. 2DX2. 9DX37L N=6. 5	-			300
70	KY2463371113	SPRING RETAINER	4	7. 6DX26DX8T	-			300
80	KY2633340103	INTAKE VALVE	2	35DX6DX79. 8L	-			300
90	KY2633350213	EXHAUST VALVE	2	31DX6DX80. 3L	-			300
95	KY2463550103	COLLET-VALVE	8		-			300
210	KY26335322A1	PUSH ROD CP	4	8DX138. 5L	-			300
220	KY2673610203	ROCKER ARM	4		-			300
230	KY2633580103	BOLT (PIVOT)	4		-			300
235	KY2673570103	PIVOT	4		-			300
240	KY0170060110	NUT	4	M6X0. 75X3. 6H	-			300
260	KY26337002A3	GUIDE PLATE	2		-			300
310	KY26330102H1	MUFFLER CP	1		-			300
315	KY26337321H2	SPARK ARRESTER	1		-			300
330	KY26337001H1	BRACKET (MUFFLER)	1		-			300
340	KY2703520101	GASKET CP (MUFFLER)	2	T=0. 4 30D 8. 5DX52P	-			300
350	KY0180080010	FLANGE NUT	4	M8X1. 25X17DX7. 5H	-			300
370	KY0011408200	BOLT AND WASHER AY	2		-			300
375	KY0110060030	FLANGE BOLT	2	M6X1. 0X14DX14L	-			300
390	KY26337302H3	CLAMP AY	1		-			300
500	KY28033001J3	INTAKE MANIFOLD	1		-			300
555	KY26335503A3	GASKET (IN MANIFOLD)	2	T=0. 4 31D 8. 5DX52P	-			300
580	KY0110060020	FLANGE BOLT	3	M6X1. 0X14DX12L	-			300
590	KY0023808000	FLANGE NUT	4		-			300
850	KY2631800303	RUBBER PIPE	1	14. 5DX20. 5D FORMED	-			300
853	KY0561200020	HOSE CLAMP	2	20DX10BX1T	-			300
920	KY2639511703	LABEL (TRADE MARK)	1		-			300

EH650DA2810

JP, RGV, 50HZ, MHI, AUS

FIG. 315

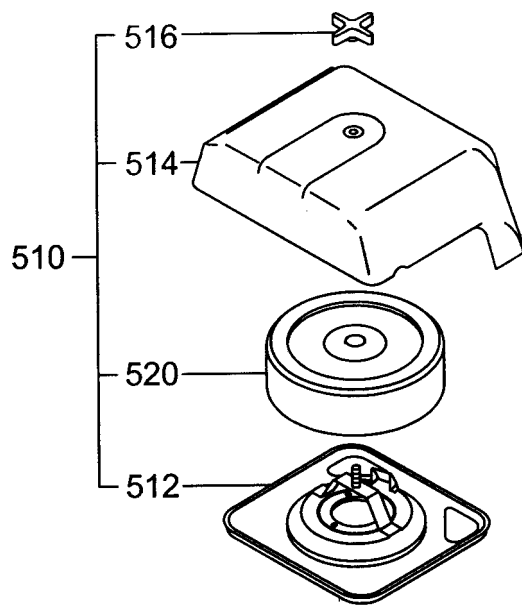


FIG. 400

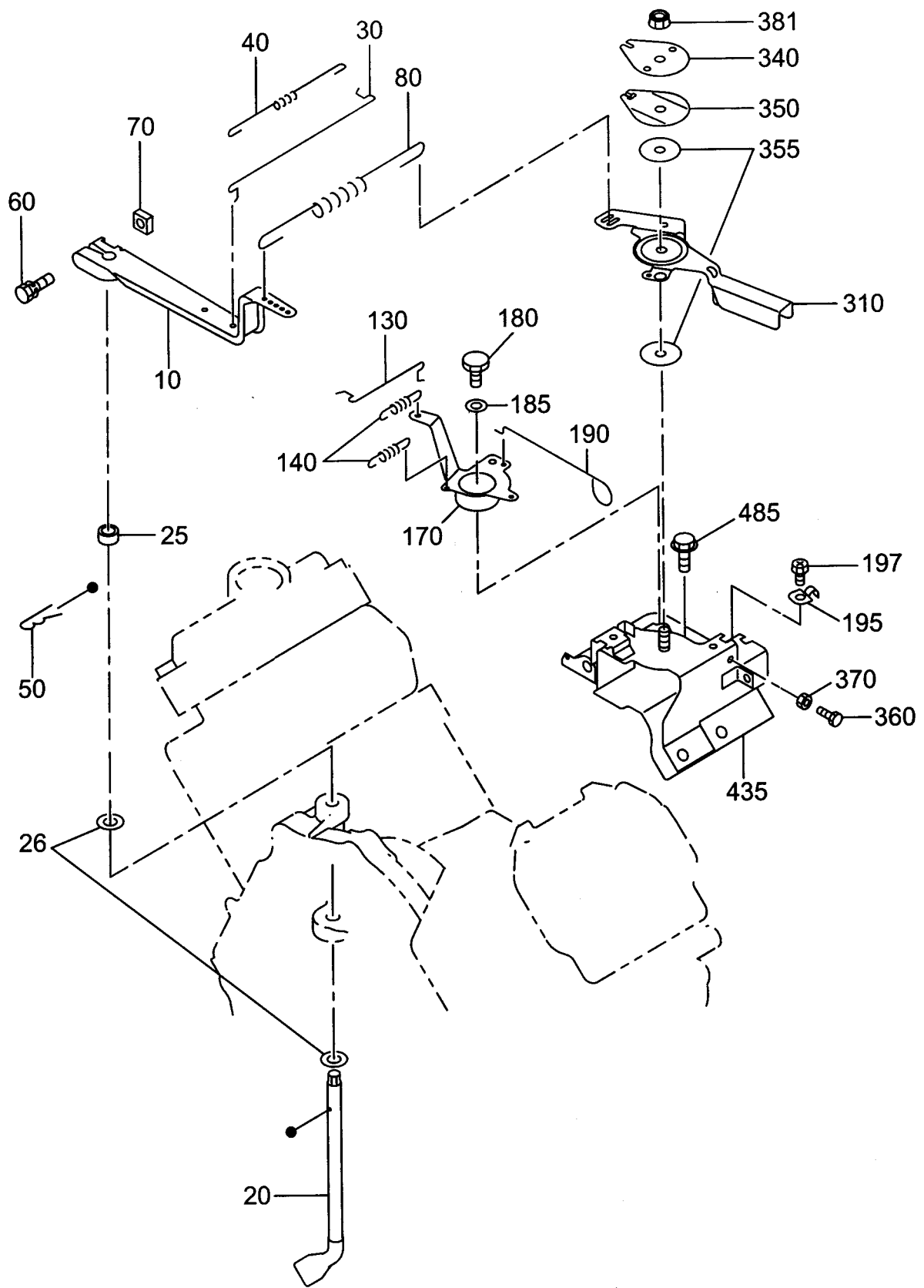


FIG. 500

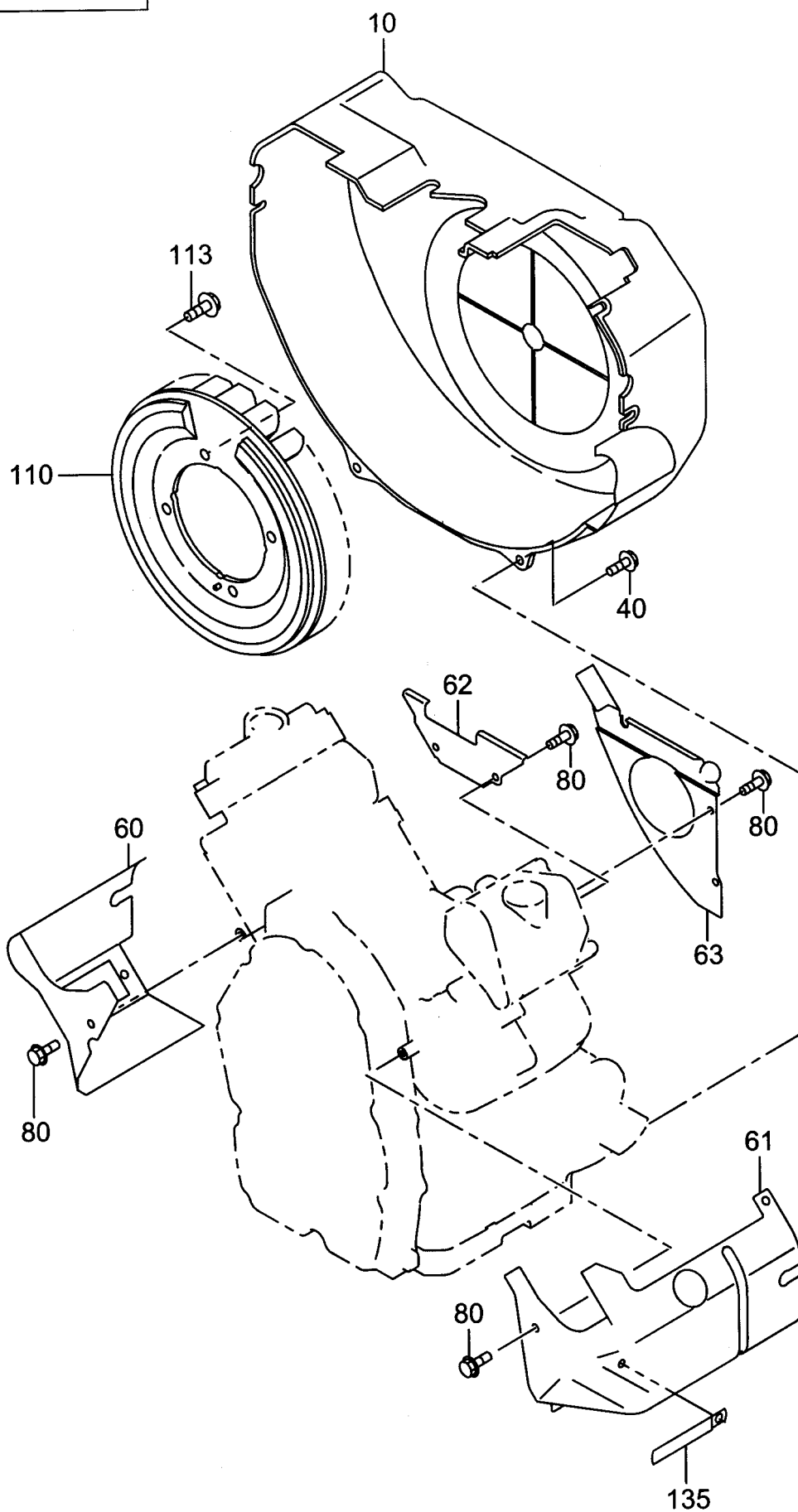
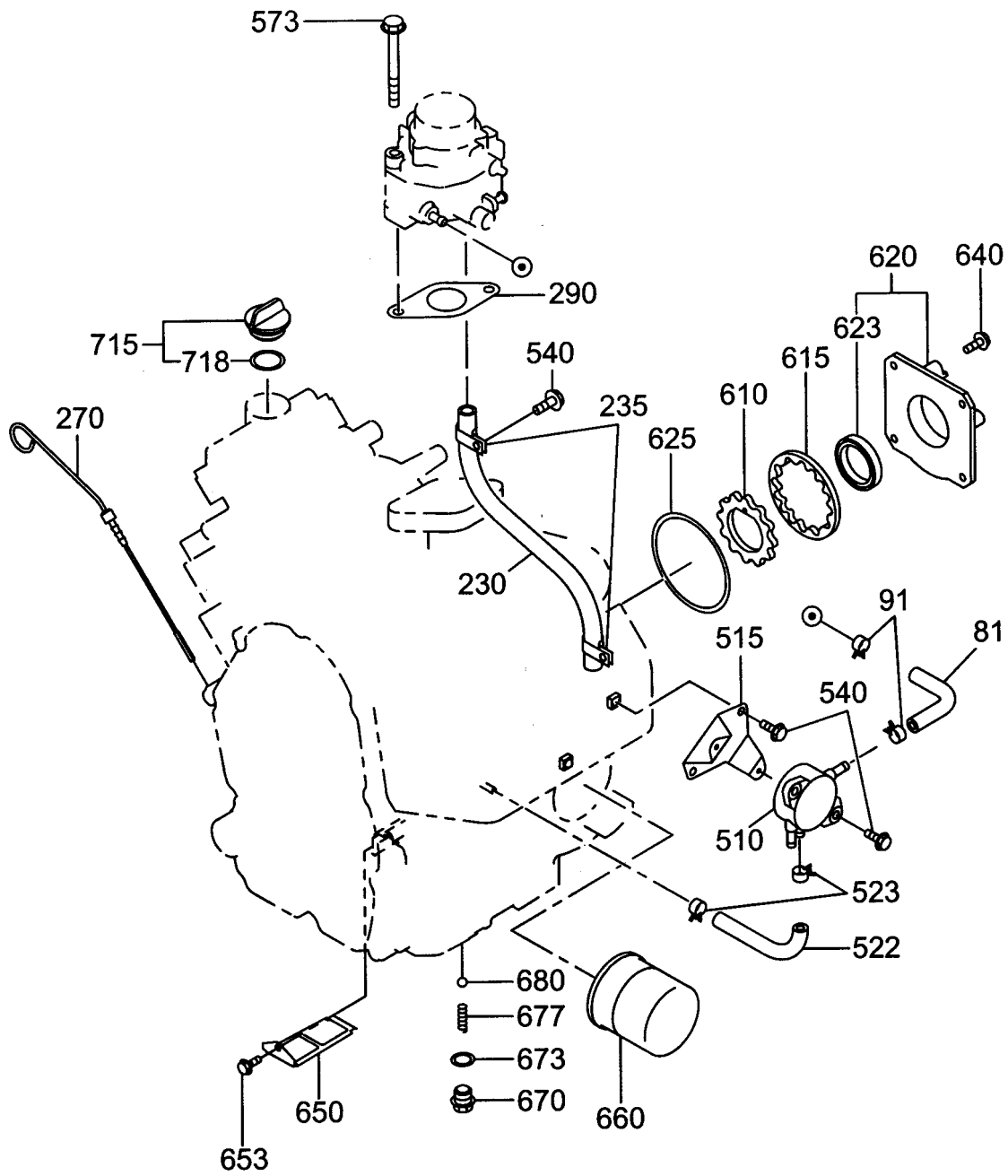


FIG. 600



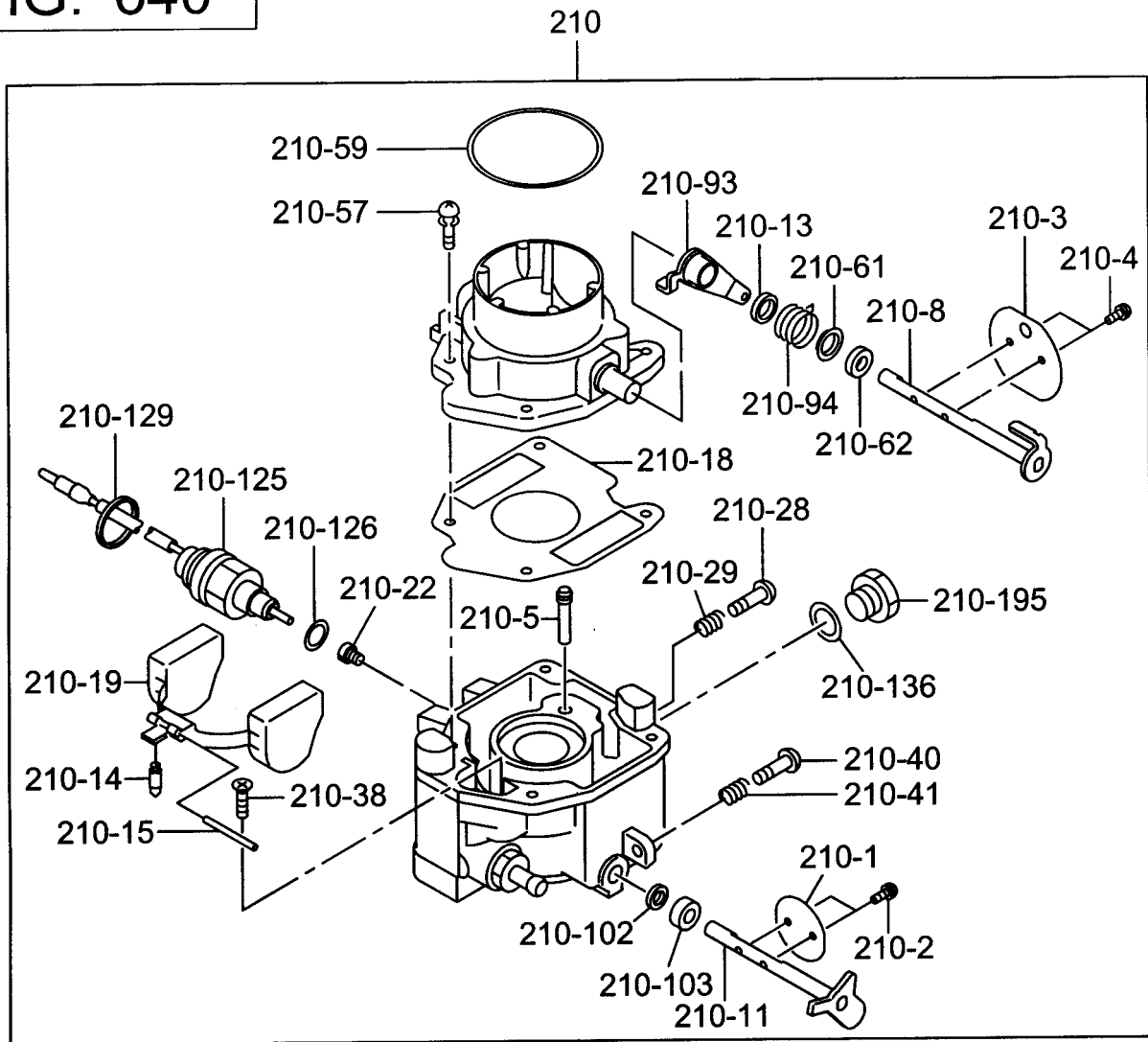
6 FUEL LUBRICANT GROUP

REF.	PART NUMBER	PART NAME	QTY	REMARKS	CODE NO.	INTERCHANGE P/NO.	UNIT P	FIG.
81	KYX851061660	RUBBER PIPE	1	6.4DX12.7DX430L	-			600
91	KY2636850103	HOSE CLAMP	2	11.4DX7.9BX0.7T	-			600
230	KY0851030110	RUBBER PIPE	1	3DX6DX350L	-	085-10300-00		600
235	KY2067550101	CLAMP CP	2	10DXM6X12BX0.6T	-			600
270	KY2636360301	OIL GAUGE CP	1		-			600
290	KY26366201A3	GASKET (CARBURETOR)	1	T=0.4 34D 8.5DX84.5P	-			600
510	KY2676220110	FUEL PUMP AY	1		-			600
515	KY26365002A3	BRACKET (FUEL PUMP)	1		-			600
522	KYX851061630	RUBBER PIPE	1	6.4DX12.7DX160L	-			600
523	KY2636850103	HOSE CLAMP	2	11.4DX7.9BX0.7T	-			600
540	KY0110060020	FLANGE BOLT	5	M6X1.0X14DX12L	-			600
573	KY0110080110	FLANGE BOLT	2	M8X1.25X14DX80L	-			600
610	KY2636390103	INNER ROTOR	1		-			600
615	KY2636390203	OUTER ROTOR	1		-			600
620	KY2636400111	OIL PUMP COVER CP	1		-			600
623	KY0440350170	OIL SEAL	1	35DX48DX8B	-			600
625	KYX240890030	O RING	1	88.2DX94.4D	-			600
640	KY0110060030	FLANGE BOLT	4	M6X1.0X14DX14L	-			600
650	KY2636430202	OIL PUMP FILTER UN	1		-			600
653	KY26365011A3	FLANGE BOLT	1		-			600
660	KY2486580100	OIL FILTER AY	1		-			600
670	KY2636500113	PLUG (OIL RELIEF)	1	M14X1.5X20DX12L	-			600
673	KY0037014000	GASKET, ALUMINUM	1		-			600
677	KY2636600103	SPRING (RELIEF VALVE)	1	7.8DX1DX25L N=8.5	6515-			600
680	KY0069030800	STEEL BALL	1		-			600
715	KY28063602A1	OIL FILLER CAP CP	1		-			600
718	KY26364414A3	O RING	1	26.6DX31.9D	-			600

EH650DA2810

JP, RGV, 50HZ, MHI, AUS

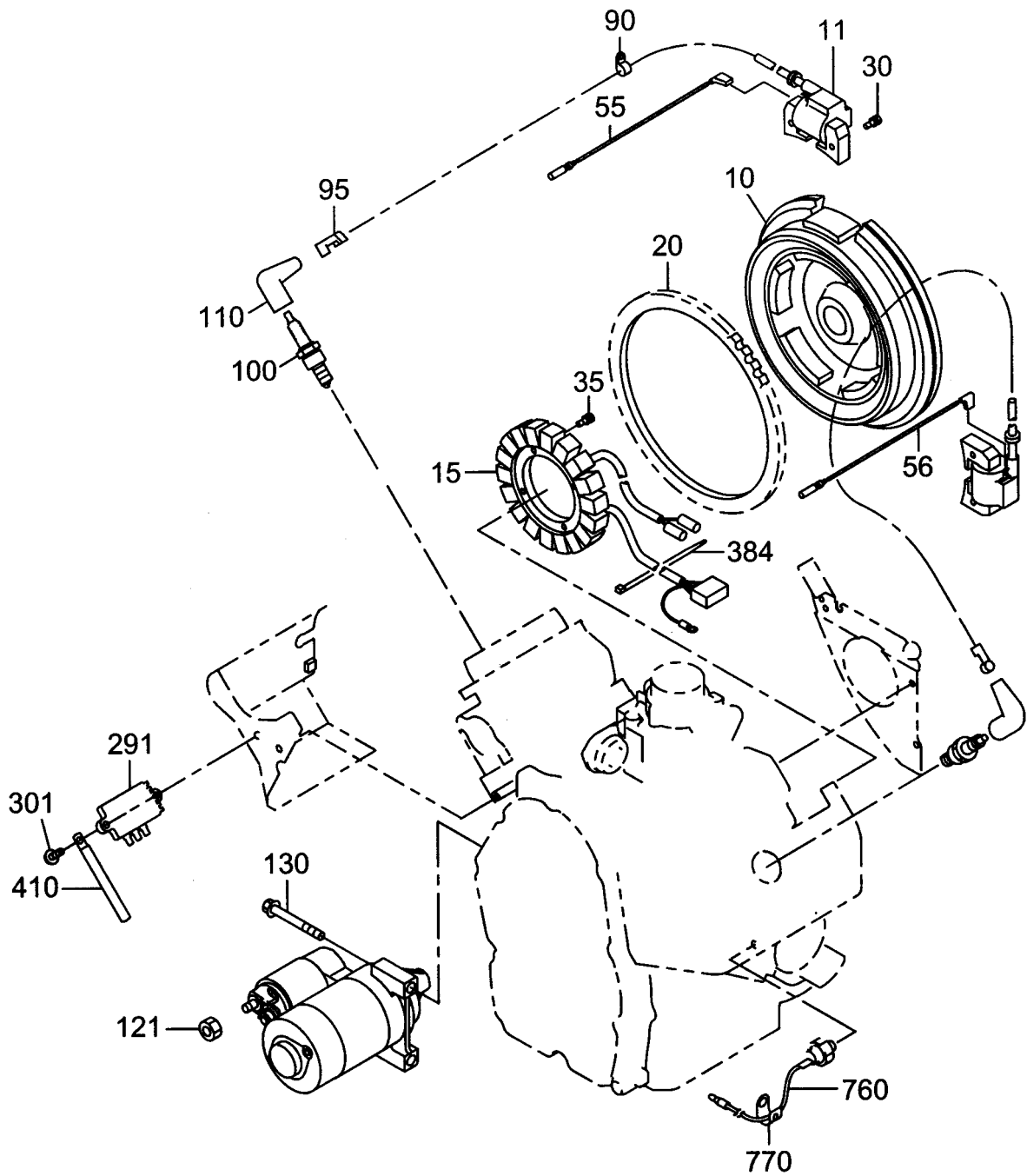
FIG. 640



6 FUEL LUBRICANT GROUP

REF.	PART NUMBER	PART NAME	QTY	R E M A R K S	CODE NO.	INTERCHANGE P/NO.	UNIT P	FIG.
210	KY2636258110	CARBURETOR AY	1		-			640
- 1	KY2636253508	VALVE, THROTTLE	1		-			640
- 2	KY2616235208	SCREW, VALVE SET	2		-			640
- 3	KY2636252808	VALVE, CHOKE	1		-			640
- 4	KY2586255508	SCREW SET (VALVE)	2		-			640
- 5	KY2586242008	JET (SLOW)	1		-			640
- 8	KY2636252008	SHAFT ASSY, CHOKE	1		-			640
- 11	KY2636253208	SHAFT ASSY, THROTTLE	1		-			640
- 13	KY2586255108	RING (CHOKE LEVER)	1		-			640
- 14	KY2266250108	VALVE, FLOAT	1		-			640
- 15	KY2586251508	FLOAT PIN	1		-			640
- 18	KY2806254508	GASKET, AIR HORN	1		-			640
- 19	KY2806250508	FLOAT	1		-			640
- 22	KY2636240008	JET, MAIN	1		-			640
- 28	KY2156235308	SCREW, DRAIN	1		-			640
- 29	KY2156244608	SPRING, DRAIN	1		-			640
- 38	KY2586255608	SCREW SET (FLOAT PIN)	1		-			640
- 40	KY2636245108	SCREW, THRO. ADJUST	1		-			640
- 41	KY2586244508	SPRING (ADJUST SCREW)	1		-			640
- 57	KY2586245008	SCREW SET (AIR HORN)	4		-			640
- 59	KY2636256008	O-RING, AIR HORN	1		-			640
- 61	KY2806255108	COLLAR, CHOKE	1		-			640
- 62	KY2586255408	FILTER (CHOKE SHAFT)	1		-			640
- 93	KY2636252408	LEVER ASSY, CHOKE	1		-			640
- 94	KY2636244508	SPRING, CHOKE	1		-			640
-102	KY2266258008	FILTER, AIR	1		-			640
-103	KY2586257008	COLLAR (THRO. SHAFT)	1		-			640
-125	KY2636255608	VALVE CP, (SOLENOID)	1		-			640
-126	KY2586254608	GASKET, MAIN PASSAGE	1		-			640
-129	KY2586256608	CLAMP (SOLENOID) WIRE	1		-			640
-136	KY2636255508	GASKET	1		-			640
-195	KY2636255208	PLUG	1		-			640

FIG. 700



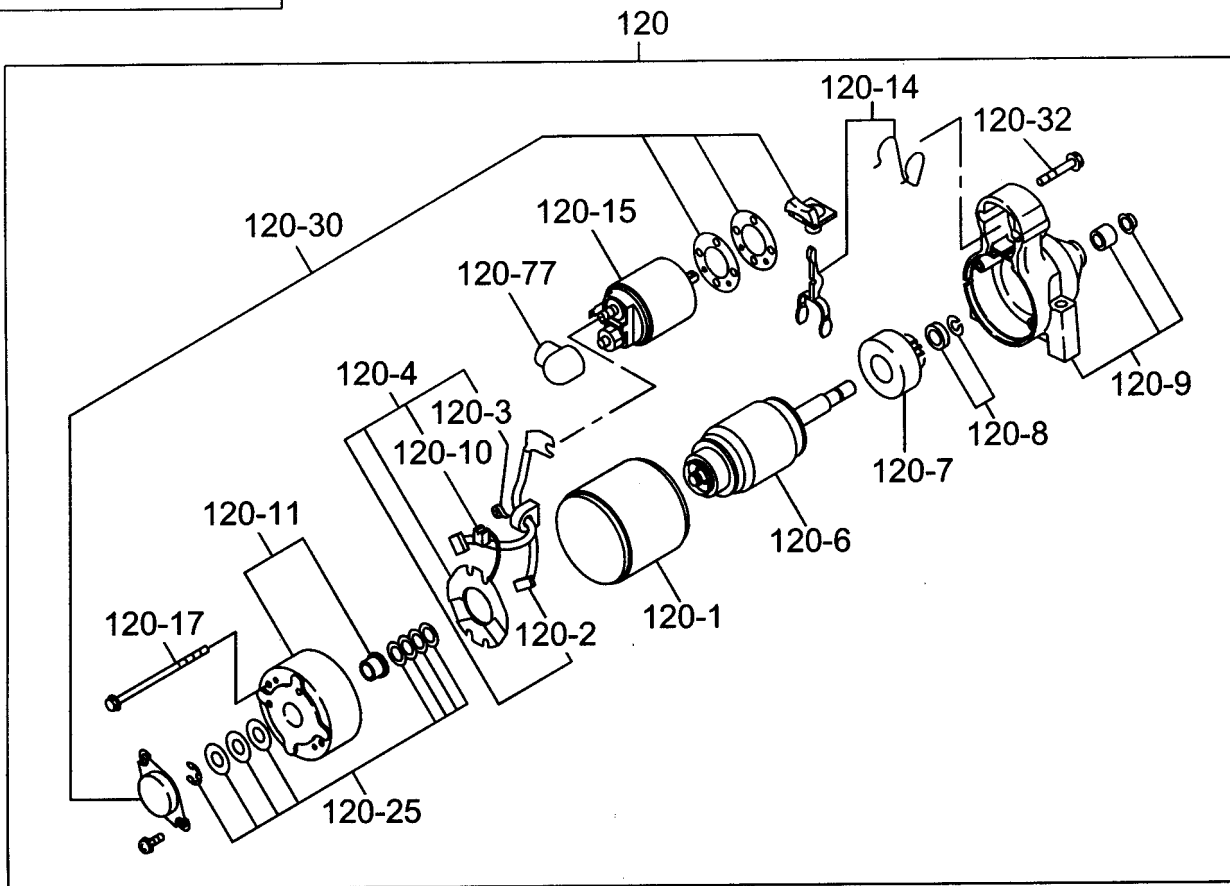
7 ELECTRIC DEVICE GR

REF.	PART NUMBER	PART NAME	QTY	R E M A R K S	CODE NO.	INTERCHANGE P/NO.	UNIT P	FIG.
10	KY2637720211	FLYWHEEL CP	1		-			700
11	KY2637820211	IGNITION COIL CP	2	MARK AE	-			700
15	KY26379405A1	CHARGE COIL CP	1		-			700
20	KY2637100203	RING GEAR	1	202DX233DX8.7B N=90	-			700
30	KY0011406250	BOLT AND WASHER AY	4		-			700
35	KY0011605200	BOLT AND WASHER AY	4		6576-			700
55	KY2637301601	WIRE 4 CP	1	L=300 BLACK/WHITE	-			700
56	KY2637301701	WIRE 5 CP	1	L=480 BLACK	-			700
90	KY2067550101	CLAMP CP	1	10DXM6X12BX0.6T	-			700
95	KY0659000010	PLUG TERMINAL	2					
100	KY0650140280	SPARK PLUG	2	NGK BPR5ES	-			700
110	KYX655100010	SPARK PLUG CAP	2		-			700
121	KY0023808000	FLANGE NUT	1		-			700
130	KY0110080100	FLANGE BOLT	2	M8X1.25X17DX65L	-			700
291	KY26371903A1	REGULATOR CP	1		-			700
301	KY0110060140	FLANGE BOLT	2	M6X1.0X14DX18L	-			700
384	KY0563000010	WIRE BAND	3	4.5BX1.2TX200L	-			700
410	KY0566000250	CLAMP	2	6.5DX10BX95LX0.6T	-			700
760	KY2637310211	WIRE AY(OIL PRE.SW.)	1	L=900 GRAY	-			700
770	KY2067550101	CLAMP CP	2	10DXM6X12BX0.6T	-			700

EH650DA2810

JP, RGV, 50HZ, MHI, AUS

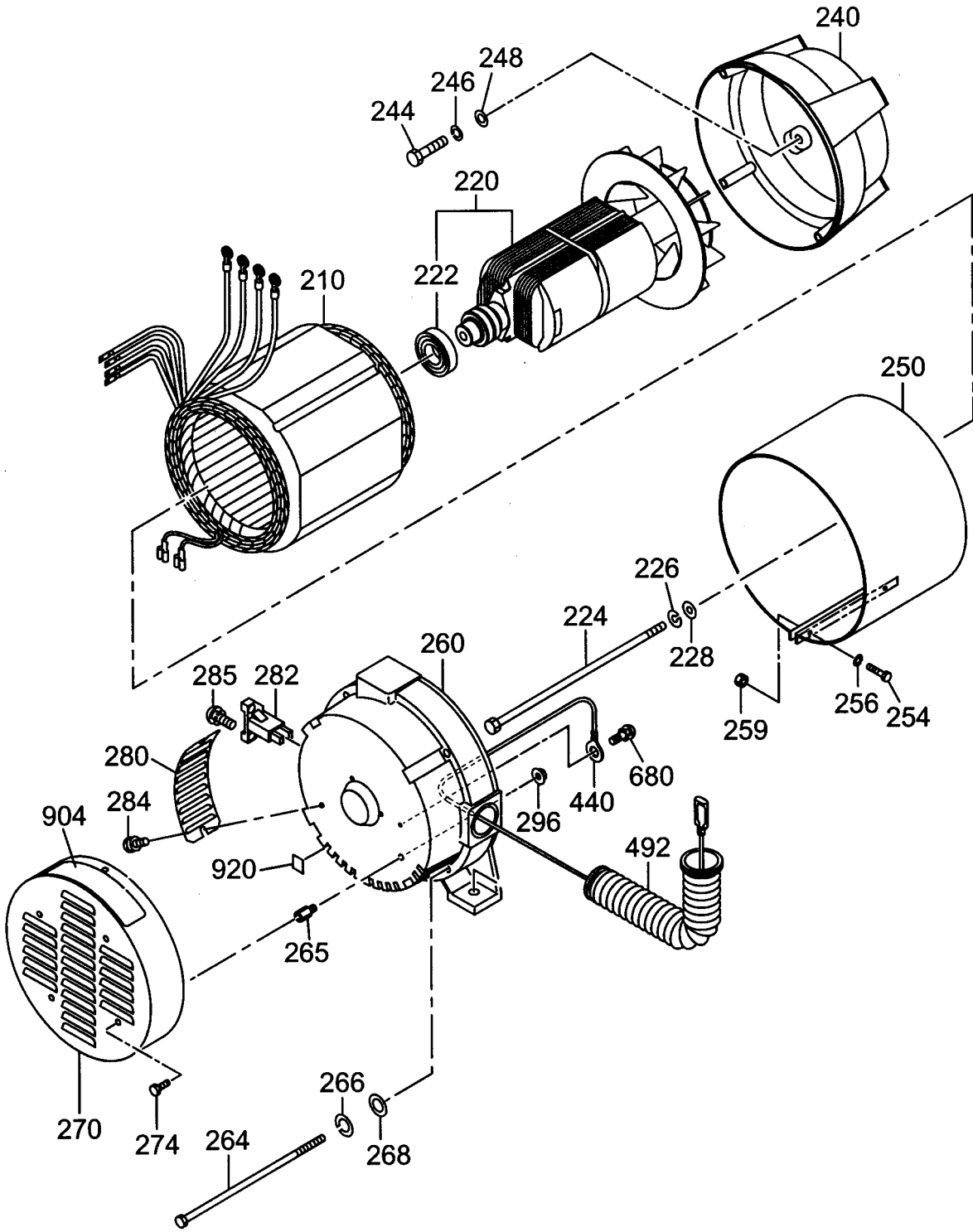
FIG. 730



7 ELECTRIC DEVICE GR

REF.	PART NUMBER	PART NAME	QTY	R E M A R K S	CODE NO.	INTERCHANGE P/NO.	UNIT P	FIG.
120	KY26370502A0	STARTING MOTOR AY	1		-			730
- 1	KY2557058008	YOKE AY	1		-			730
- 2	KY2557055108	BRUSH SET	1		-			730
- 3	KY2287051608	BRUSH SPRING	4		-			730
- 4	KY2557053108	BRUSH HOLDER AY	1		-			730
- 6	KY2637051008	ARMATURE ASS'Y	1		-			730
- 7	KY2557052108	PINION AY	1		-			730
- 8	KY2107053408	PINION STOPPER SET	1		-			730
- 9	KY2637050008	GEAR CASE ASS'Y	1		-			730
- 10	KY2287051408	BRUSH (-)	2		-			730
- 11	KY2637050508	REAR COVER ASS'Y	1		-			730
- 14	KY2437052508	SHIFT LEVER KIT	1		-			730
- 15	KY2637051508	MAGNETIC SWITCH AY	1		-			730
- 17	KY2077052408	THROUGH BOLT	2		-			730
- 25	KY2637055008	THRUST WASHER KIT	1		-			730
- 30	KY2557057008	DUST COVER KIT	1		-			730
- 32	KY2637055108	06 BOLT (M6X37)	2		-			730
- 77	KY2077052608	RUBBER CAP BS	1		-			730

FIG. 2200



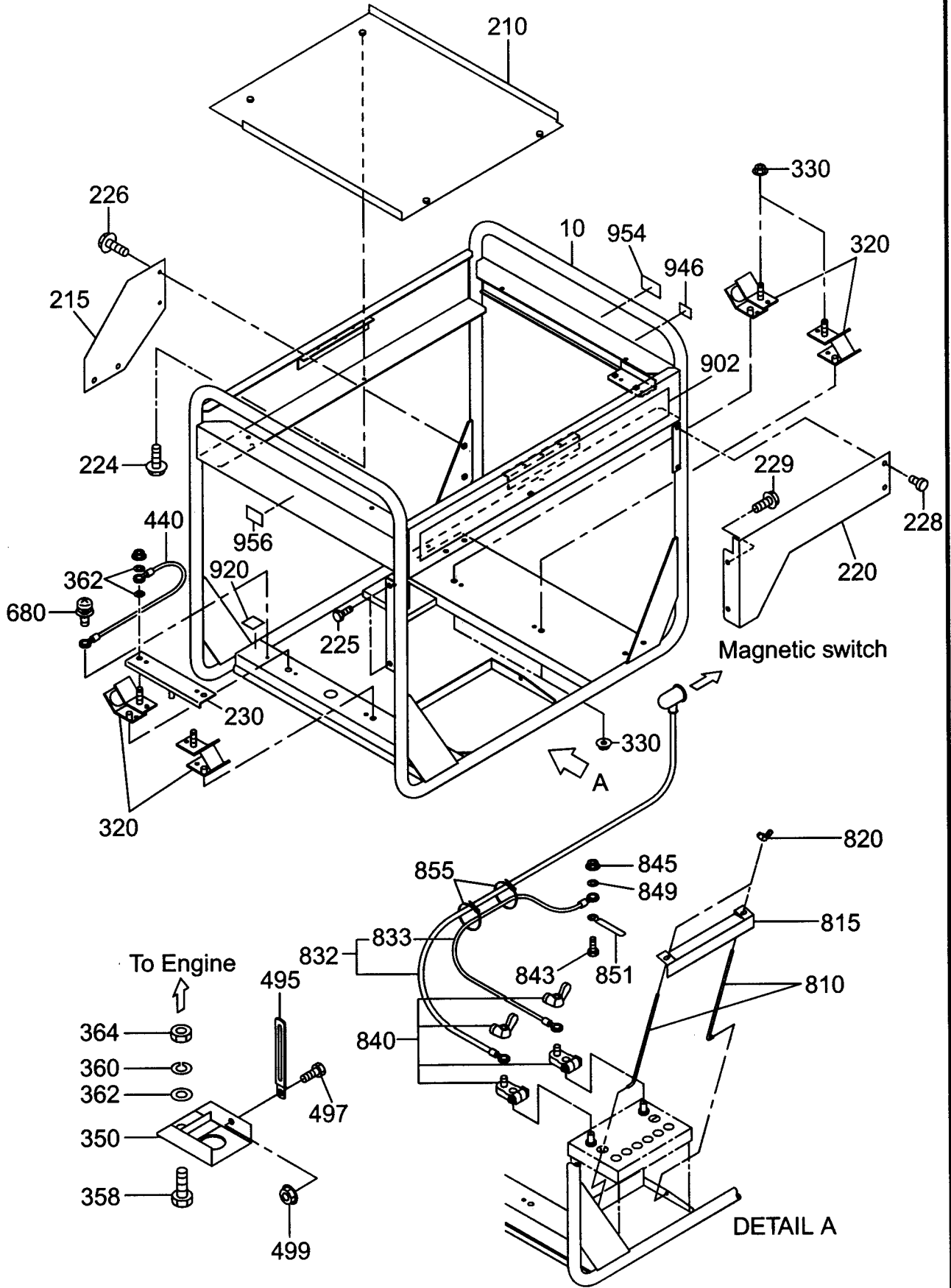
22 GENERATOR

REF.	PART NUMBER	PART NAME	QTY	REMARKS	CODE NO.	INTERCHANGE P/NO.	UNIT P	FIG.
210	KY31F5201701	STATOR CP	1		-			2200
220	KY31F5201801	ROTOR CP	1		-			2200
222	KY3545820408	BALL BEARING	1		-			2200
224	KY31F5400201	THROUGH BOLT	1		-			2200
226	KY0032008000	SPRING WASHER	1		-			2200
228	KY0031008000	WASHER	1		-			2200
240	KY31F5300103	FRONT BRACKET	1		-			2200
244	KY31F5400101	BOLT	4		-			2200
246	KY0032010000	SPRING WASHER	4		-			2200
248	KY0031010000	WASHER	4		-			2200
250	KY31F5400301	STATOR COVER	1		-			2200
254	KY31F5400501	BOLT	2		-			2200
256	KY0032004000	SPRING WASHER	2		-			2200
259	KY0021704000	NUT	2		-			2200
260	KY31F5301601	REAR COVER	1		-			2200
264	KY3655800608	THROUGH BOLT	4		-			2200
265	KY3912560003	BOLT	4		-			2200
266	KY0032008000	SPRING WASHER	4		-			2200
268	KY0031008000	WASHER	4		-			2200
270	KY31F5401601	END COVER	1		-			2200
274	KY35C7201403	FLANGE BOLT	4	M6X12L	-			2200
280	KY31F5400401	BRUSH COVER	1		-			2200
282	KY31G7400101	BRUSH HOLDER CP	1		-			2200
284	KY30A7120203	BOLT	2		-			2200
285	KY31G6200101	SCREW & WASHER AY	2	M65X20L	-			2200
296	KY0023806000	FLANGE NUT	4		-			2200
440	KY31F6201701	EARTH WIRE	1		-			2200
492	KY3535750618	BUSHING	1		-			2200
680	KY3924998608	SCREW	1	M4X6L	-			2200
904	KY31F8104503	LABEL (SPEC.)	1		-			2200
920	KY30G4910608	LABEL (EARTH)	1		-			

RGV10K76080

3-S0.50-22/38JISミツビシ

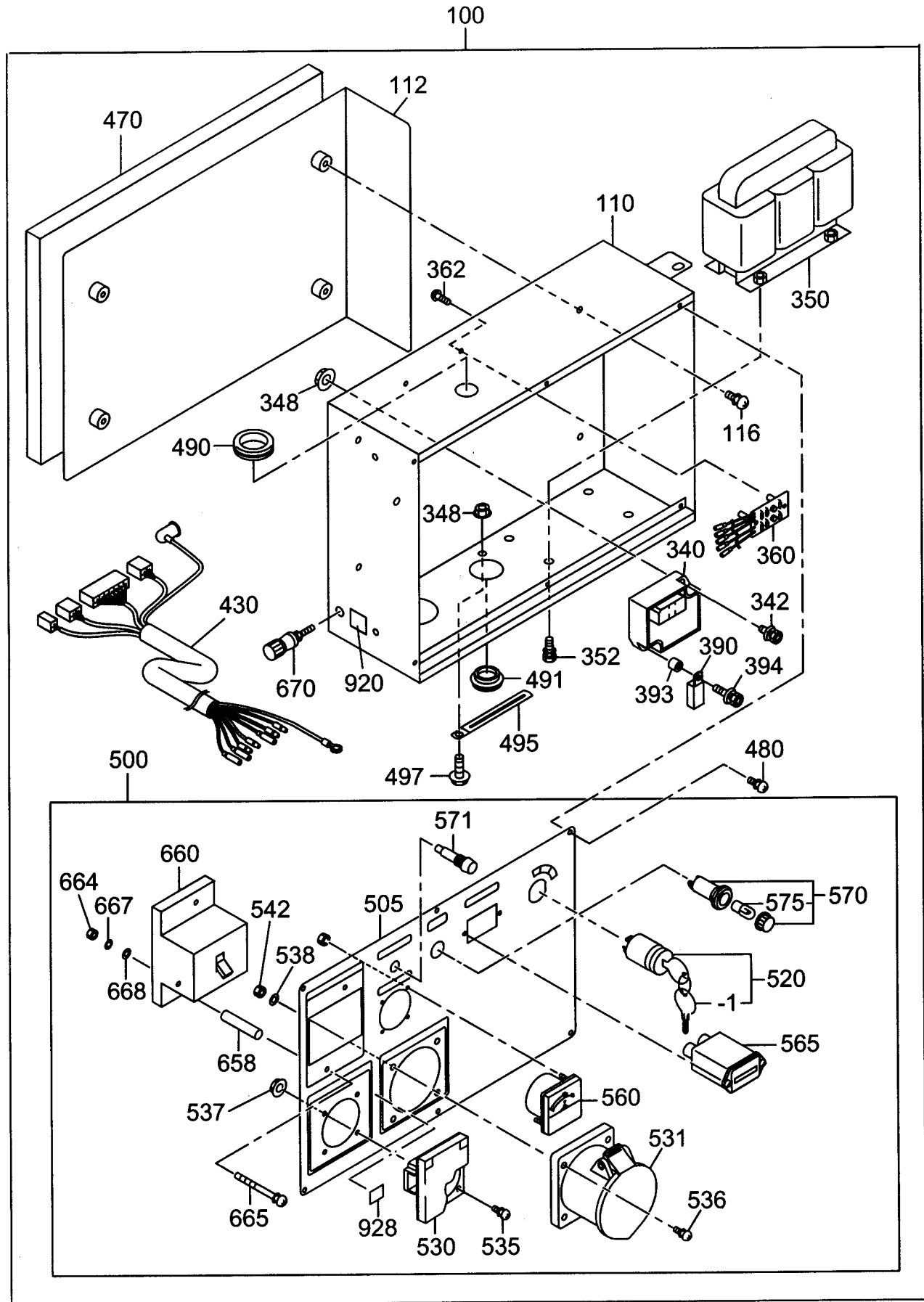
FIG. 2300



23 PIPE FRAME

REF.	PART NUMBER	PART NAME	QTY	REMARKS	CODE NO.	INTERCHANGE P/NO.	UNIT P	FIG.
10	KY31G6100501	PIPE FRAME CP	1		-			2300
210	KY31F6102401	BAFFLE PLATE	1		-			2300
215	KY31G6102401	COVER PLATE	1		-			2300
220	KY31G6102701	FRONT PLATE	1		-			2300
224	KY0110060020	FLANGE BOLT	4	M6X1.0X14DX12L	-			2300
225	KY35C7201403	FLANGE BOLT	3	M6X1.0X14DX12L	-			2300
226	KY31G6200201	FLANGE BOLT	4		-			2300
228	KY31F7600101	SCREW & WASHER AY	2		-			2300
229	KY0110060020	FLANGE BOLT	2	M6X1.0X14DX12L	-			2300
230	KY31F6100201	GENERATOR BASE	1		-			2300
320	KY31F3500201	MOUNT CP	4		-			2300
330	KY0023810000	FLANGE NUT	8		-			2300
350	KY31F6102201	STOPPER PLATE	1		-			2300
358	KY0016610400	BOLT	1		-			2300
360	KY0032010000	SPRING WASHER	1		-			2300
362	KY0031010000	WASHER	3		-			2300
364	KY0021710000	NUT	1		-			2300
440	KY31F6201601	EARTH CORD	1		-			2300
495	KY0566000250	CLAMP	1	6.5DX10BX95LX0.6T	-			2300
497	KY0110060020	FLANGE BOLT	1	M6X1.0X14DX12L	-			2300
499	KY0023806000	FLANGE NUT	1		-			2300
680	KY3924998708	SCREW	1		-			2300
810	KY9782161120	ROD (BATTERY)	2		-			2300
815	KY31F3300101	BATTERY STAY CP	1		-			2300
820	KY0024106000	WING NUT	2		-			2300
832	KY31F7401621	WIRE CABLE SET	1		-			2300
833	KY31F7402201	BATTERY CODE (-)	1		-			2300
840	KY31F3200103	BATTERY TERMINAL	1		-			2300
843	KY0016608400	BOLT	1	M8X40L	-			2300
845	KY0023808000	FLANGE NUT	1		-			2300
849	KY0031008000	WASHER	1		-			2300
851	KY0566000170	CLAMP	1	8.5DX10BX95LX0.7T	-			2300
855	KY0563000060	WIRE BAND	5	4.7BX1.3TX120L	-			2300
902	KY31G8107103	LABEL (BRAND)	1		-			2300
920	KY30G4910608	LABEL (EARTH9)	1		-			2300
946	KY0732005080	LABEL (F. STRAINER)	1		-			2300
954	KY31F9410103	LABEL (CHOKE)	1		-			2300
956	KY0732004860	LABEL (HOT&GAS)	1		-			2300

FIG. 2400



24 CONTROL BOX

REF.	PART NUMBER	PART NAME	QTY	REMARKS	CODE NO.	INTERCHANGE P/NO.	UNIT P	FIG.
100	KY31G7103300	CONTROL BOX AY	1		-			2400
110	KY31G7103901	CONTROL BOX UN	1		-			2400
112	KY31G7304001	PLATE	1		-			2400
116	KY3595992908	SCREW & WASHER AY	4		-			2400
340	KYKU31106221	ECU(O/S & R/C) CP	1		-			2400
342	KY0043606200	SCREW AND WASHER AY	1		-	004-35062-00		2400
348	KY0023806000	FLANGE NUT	3		-			2400
350	KY31F7401701	CURRENT TRANS	1		-			2400
352	KY31F7600301	BOLT & WASHER AY	4		-			2400
360	KY31F7401801	DIODE UN	1		-			2400
362	KY3924998608	SCREW	2	M4X6L	-			2400
390	KY3914830101	RELAY(CA) AY	1		-			2400
393	KY0230060330	SPACER	1		-			2400
394	KY31G7502103	SCREW	1		-			2400
430	KY31G7603103	WIRE CP	1		-			2400
470	KY31G7402501	SPONGE						2400
480	KY3514992008	SCREW & WASHER AY	6		-			2400
490	KY0241150010	GROMMET	1	15DX20DX9.5H	-			2400
491	KY31H7500903	GROMMET	1		-			2400
495	KY0566000250	CLAMP	1	6.5DX10BX95LX0.6T	-			2400
497	KY0110060020	FLANGE BOLT	1	M6X1.0X14DX12L	-			2400
500	KY31F7204800	CONTROL PANEL AY	1		-			2400
505	KY31F7305801	CONTROL PANEL	1		-			2400
520	KY0660000330	SWITCH	1		-			2400
- 1	KY0660009980	KEY, SWITCH	2	MARK 103	-			2400
530	KY3884574608	AC RECEPTACLE	1		-			2400
531	KY31F7503108	AC RECEPTACLE	1		-			2400
535	KY31F7600501	SCREW & WASHER AY	2		-			2400
536	KY31G6200101	SCREW & WASHER	4					2400
537	KY31F7600601	FLANGE NUT	4					2400
538	KY0031005000	WASHER	4					2400
542	KY0021705000	NUT	4					2400
560	KY31F7501903	VOLTMETER	1		-			2400
565	KY31F7502303	HOUR METER	1	50HZ	-			2400
570	KY3934310101	PILOT LAMP CP	1	RED	-			2400
571	KY3207511808	NEON LAMP	1		-			2400
575	KY3934500601	LAMP	1	18V/0.11A	-			2400
658	KY31F7501803	SPACER	2		-			2400
660	KY31F7502803	BREAKER	1		-			2400
664	KY0021704000	NUT	2		-			2400

RGV10K76080

3-S0.50-22/38JISミツビシ

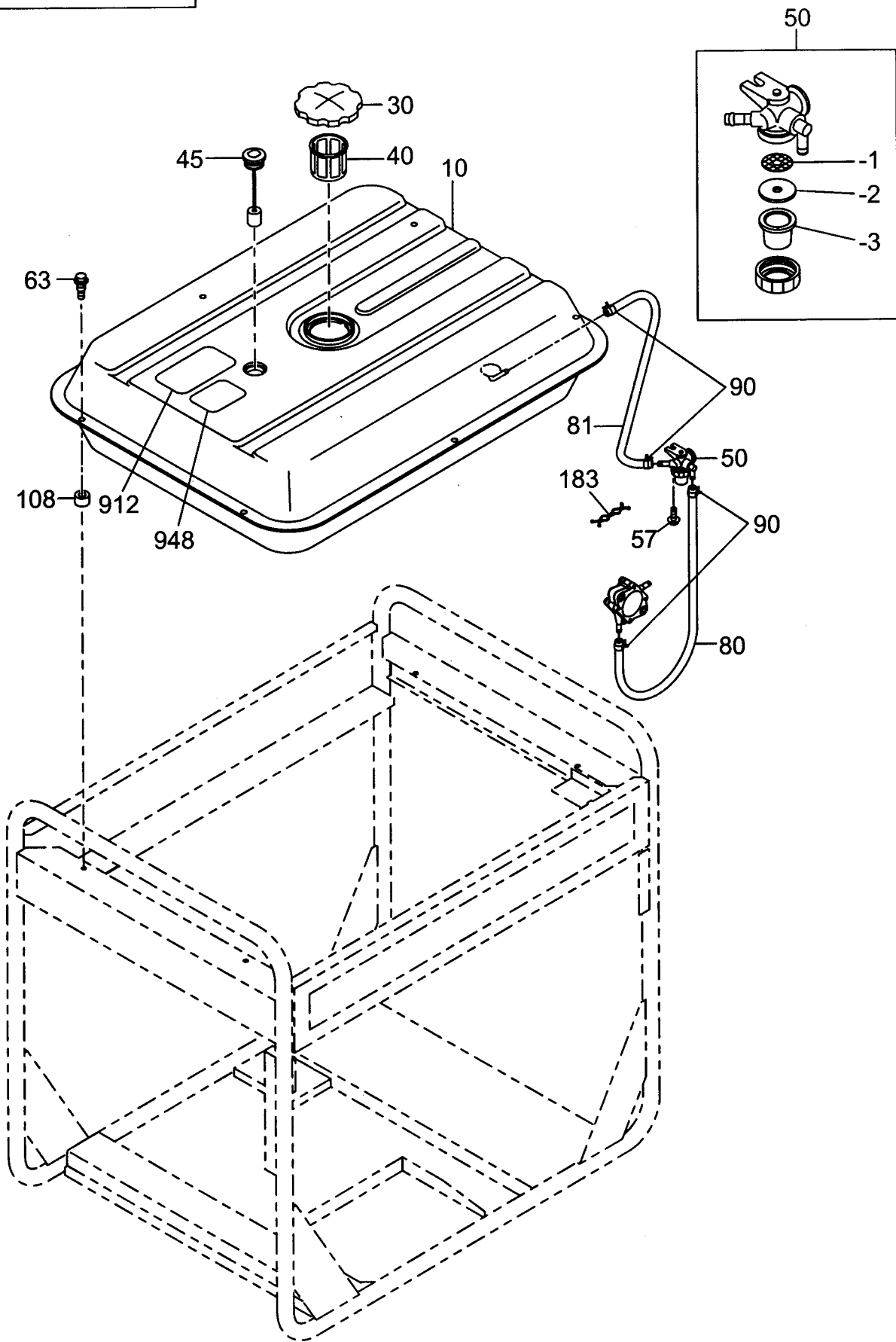
24 CONTROL BOX

665	KY31F7600401	SCREW	2		-		2400
667	KY0032004000	SPRING WASHER	2		-		2400
668	KY0031004000	WASHER	2		-		2400
670	KY3534571608	TERMINAL BOLT	1	BLACK	-		2400
920	KY30G4910608	LABEL (EARTH)	4		-		2400
928	KY0732004490	LABEL (ELEC. SHOCK)	4		-		2400

RGV10K76080

3-S0. 50-22/38JISミツビシ

FIG. 2600



26 FUEL TANK

REF.	PART NUMBER	PART NAME	QTY	R E M A R K S	CODE NO.	INTERCHANGE P/NO.	UNIT P	FIG.
10	KY31G3610901	FUEL TANK CP	1		-			2600
30	KY0430590011	FUEL TANK CAP AY	1	59DX102DX15H	-			2600
40	KY0641540011	FUEL FILTER	1	54DX58DX48H	-			2600
45	KY0648001500	FUEL GAUGE CP	1		-			2600
50	KY0642003601	FUEL STRAINER AY	1		-	064-20107-00		2600
- 1	KY0642000220	FILTER	1		-			2600
- 2	KY0642003030	RUBBER PACKING	1		-			2600
- 3	KY0642003610	CUP	1		-			2600
57	KY0110060130	FLANGE BOLT	1		-			2600
63	KY0110060220	FLANGE BOLT	6		-			2600
80	KY0851060740	RUBBER PIPE	1	6DX12DX120L	-	085-10600-00		2600
81	KY0851061040	RUBBER PIPE	1	6DX12DX630L	-	085-10600-00		2600
90	KY0561110020	HOSE CLAMP	4	11.5DX8BX0.7T	-			2600
108	KY3913900013	RUBBER WASHER	6		-			2600
183	KY31F3900203	PURSE LOCK	1		-			2600
912	KY31G8107003	LABEL (CAUTION)	1		-			2600
948	KY0732004510	LABEL (SYMBOL-TANK)	1		-			2600

RGV10K76080

3-S0.50-22/38JISミツビシ

FIG. 2900

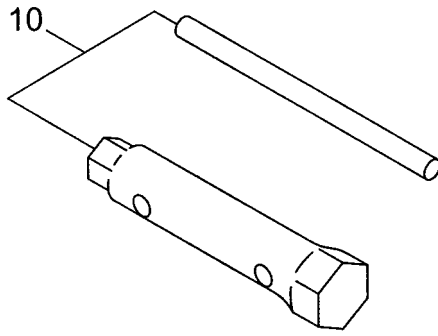
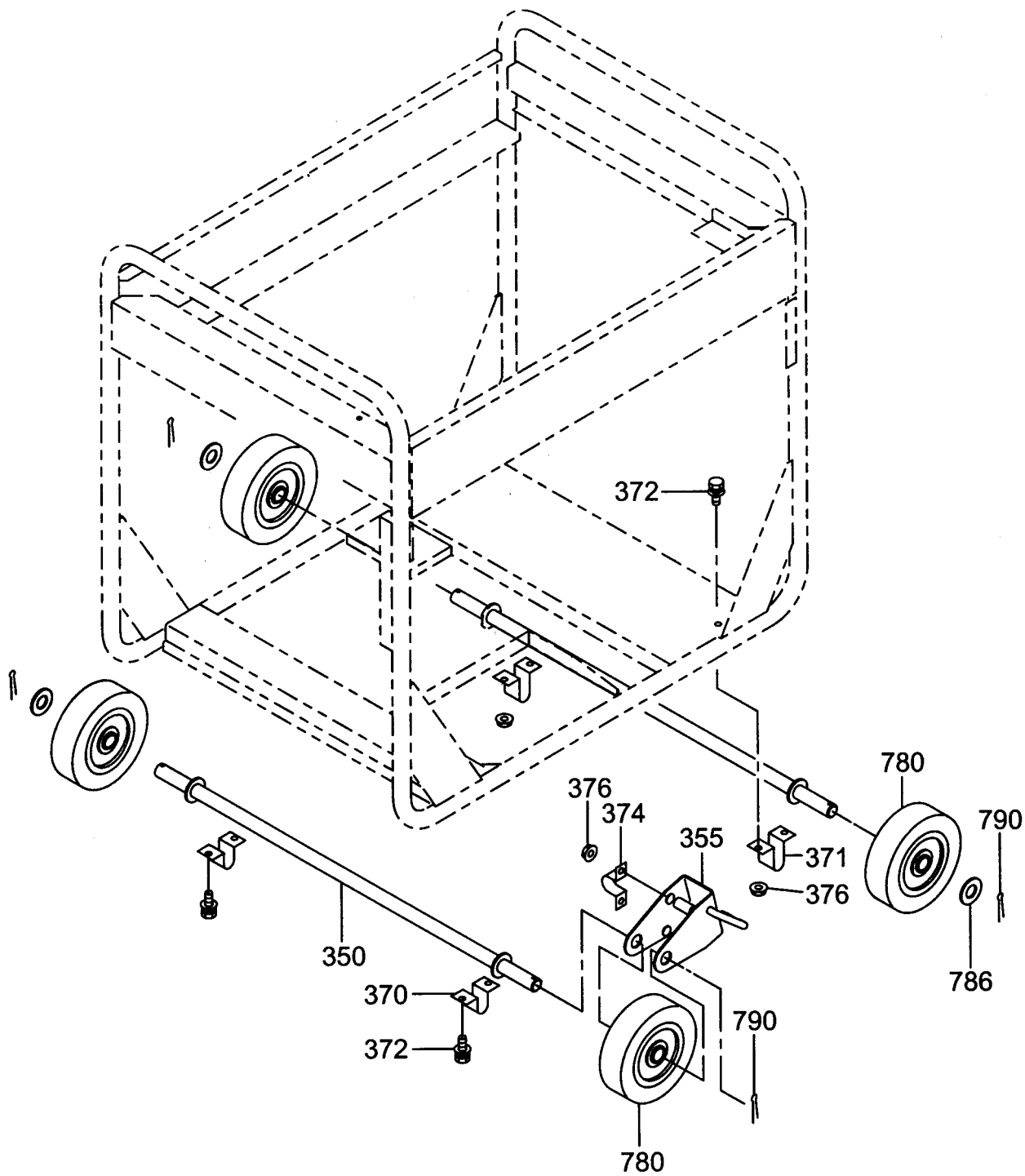


FIG. 3000



30 WHEEL

REF.	PART NUMBER	PART NAME	QTY	REMARKS	CODE NO.	INTERCHANGE P/NO.	UNIT P	FIG.
350	KY31G6302101	SHAFT UN	2		-			3000
355	KY31G3950100	STOPPER AY	1		-			3000
370	KY31F6100701	BRACKET	2		-			3000
371	KY31G6302201	BRACKET	2		-			3000
372	KY3595993508	BOLT AND WASHER AY	8		-			3000
374	KY31G6102601	CLAMP	1		-			3000
376	KY0023808000	FLANGE NUT	6		-			3000
780	KY31G6202101	WHEEL	4		-			3000
786	KY0031020000	WASHER	4		-			3000
790	KY0051040400	COTTER PIN	4		-			3000