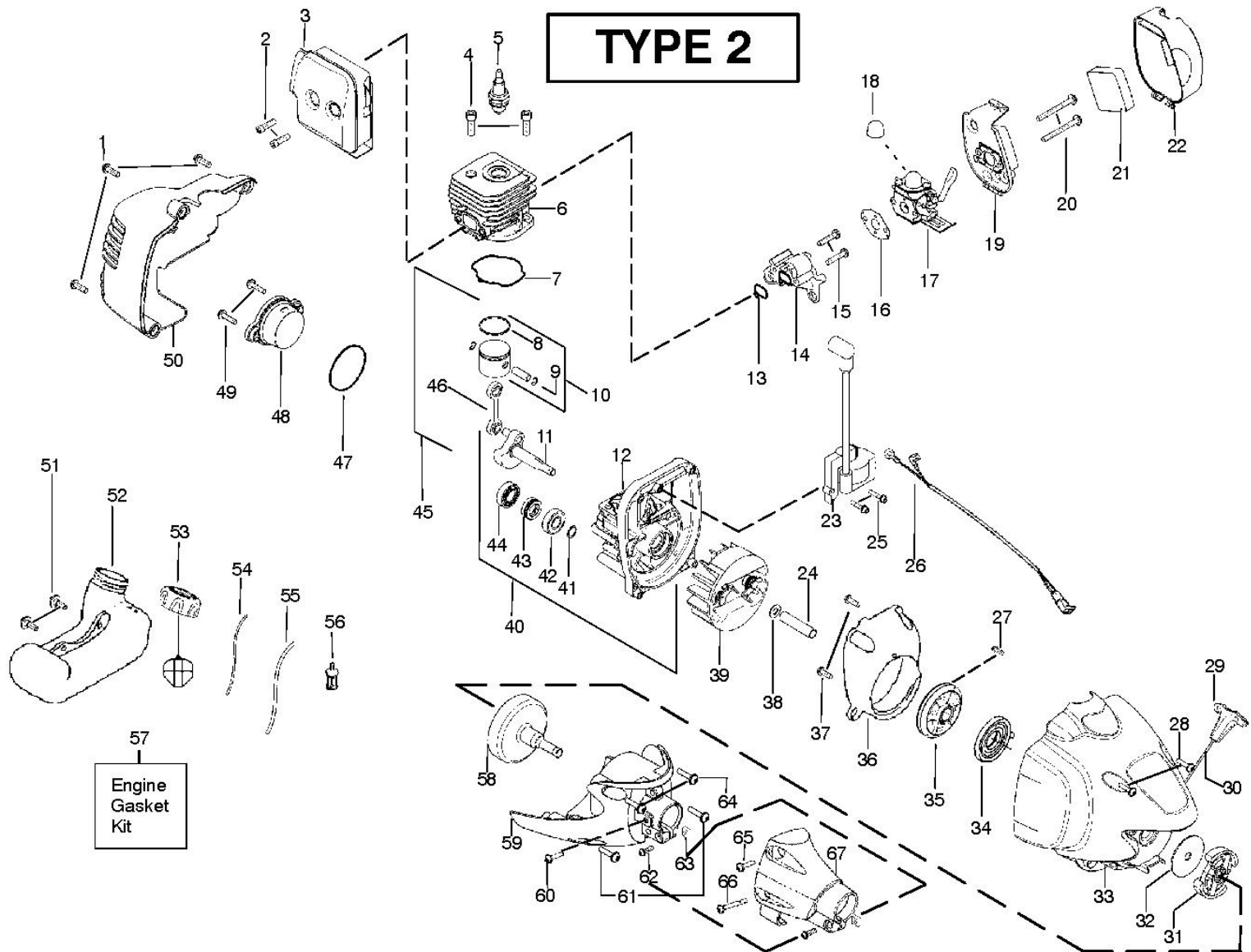


## ENGINE

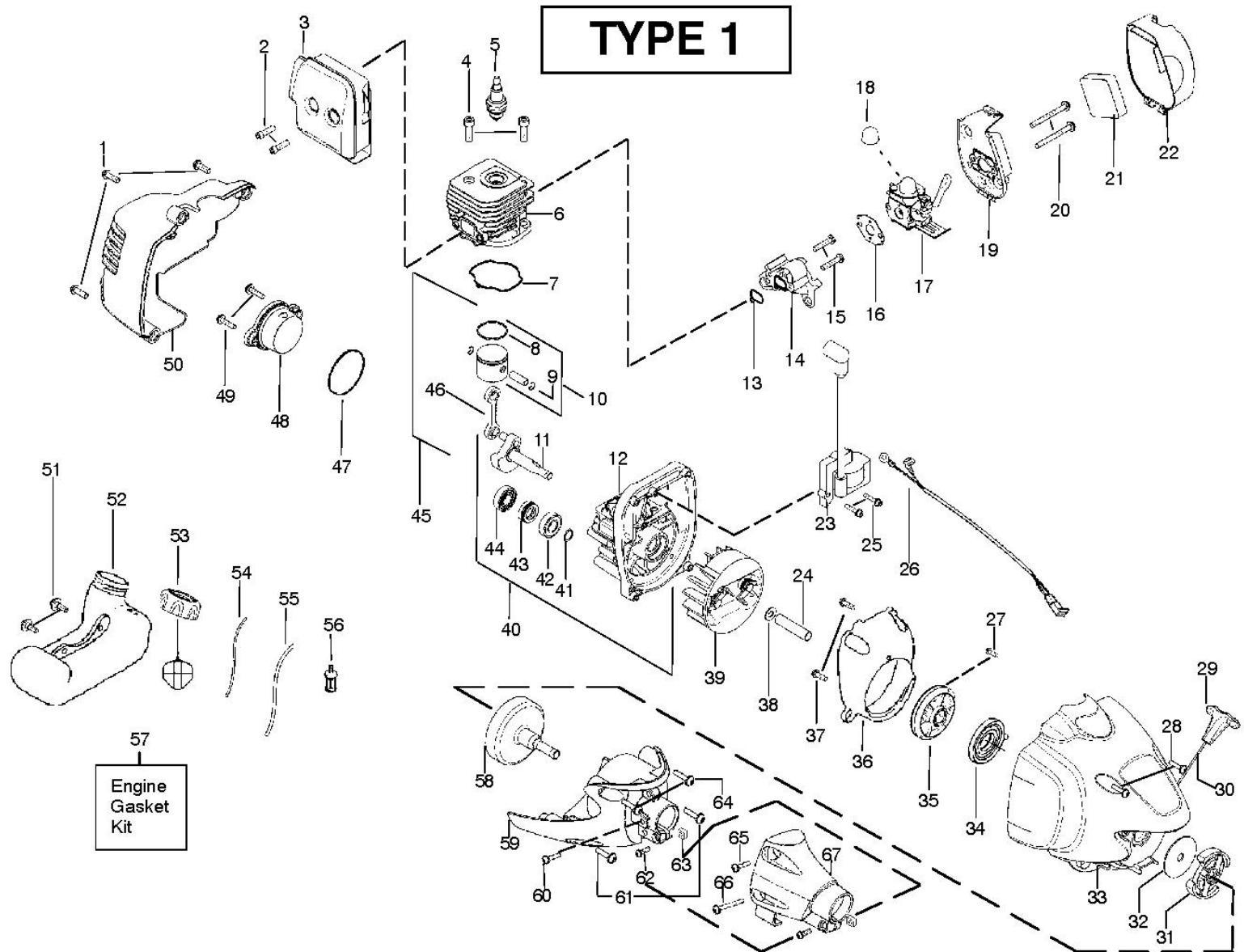


Ref	Part No.	Description	QTY	KIT
1	530 01 58-80	SCREW	1	
2	530 05 89-82	BOLT	1	
3	545 22 79-01	ASSY MUFFLER/SHIELD	1	
4	530 01 59-53	SCREW	1	
5	952 03 02-49	SPARK PLUG	1	
6	530 01 25-41	CYLINDER	1	
7	530 07 17-50	GASKET KIT	1	
8	530 05 51-20	PISTON RING	1	
9	530 01 51-62	CIRCLIP	1	
10	530 07 18-33	KIT	1	
11	530 01 25-79	CRANKSHAFT ASSY	1	
12	530 01 25-82	CRANKCASE	1	
13	530 07 17-50	GASKET KIT	1	
14	530 05 75-47	ADAPTER	1	
15	530 01 64-41	SCREW	1	

Ref	Part No.	Description	QTY	KIT
16	530 07 17-50	GASKET KIT	1	
17	530 07 18-22	KIT	1	
	530 05 87-09	PRIMER BULB	1	
19	530 05 92-46	AIR BOX	1	
20	530 01 64-29	SCREW	1	
21	530 03 65-75	AIR FILTER	1	
22	530 05 75-45	COVER	1	
23	530 03 55-05	MODULE--IGNITION	1	
24	530 05 97-58	SPACER	1	
25	530 01 63-57	SCREW	1	
26	545 05 48-01	WIRE ASSY	1	
27	530 01 63-91	SCREW	1	
28	530 01 63-86	SCREW	1	
29	530 05 48-34	HANDLE-STARTER	1	
30	530 07 17-98	KIT	1	
31	530 05 51-22	CLUTCH ASSY	1	
32	530 09 41-89	WASHER	1	
33	545 01 60-04	HSG FAN W/EYELET PP GOLD	1	
34	545 21 36-01	SPRING	1	
35	530 07 17-97	KIT	1	
36	545 08 06-01	BAFFLE FAN	1	
37	530 01 58-80	SCREW	1	
38	530 01 64-63	WASHER	1	
39	530 03 92-43	FLYWHEEL ASSY	1	
40	545 10 21-01	ASSY C'CASE & C'SHAFT	1	
41	530 01 59-41	CLIP	1	
42	530 05 57-28	BEARING	1	
43	530 01 92-64	SEAL	1	
44	530 03 21-25	BEARING	1	
45	530 07 17-85	PISTON	1	
46	530 06 99-45	CONNECTING ROD	1	
47	530 07 17-50	GASKET KIT	1	
48	530 05 79-54	PLUG ASSY	1	
49	530 01 63-86	SCREW	1	
50	530 05 75-39	SHROUD REAR BLACK	1	
51	530 01 64-45	SCREW FUEL TANK RETAINER	1	
52	530 05 79-74	FUEL TANK ASSY	1	
53	530 05 79-73	ASSY FUEL CAP W/RETAINER	1	
54	530 06 92-47	HOSE	1	
55	530 06 92-16	FUEL PIPE	1	
56	530 09 56-46	FILTER	1	
57	530 07 17-50	GASKET KIT	1	
58	530 15 02-47	CLUTCH DRUM	1	
59	545 07 73-01	CLUTCH COVER ASSY	1	
60	530 01 63-19	SCREW	1	
61	530 01 57-72	SCREW	1	
62	530 01 63-81	SCREW	1	
63	530 01 63-82	NUT--NOSE CONE	1	
64	530 01 58-14	SCREW	1	

Ref	Part No.	Description	QTY	KIT
65	530 01 61-79	SCREW	1	
66	530 01 64-06	SCREW	1	
67	545 16 24-01	SPARE NOSE	1	
	530 05 85-69	LEVER	1	

ENGINE

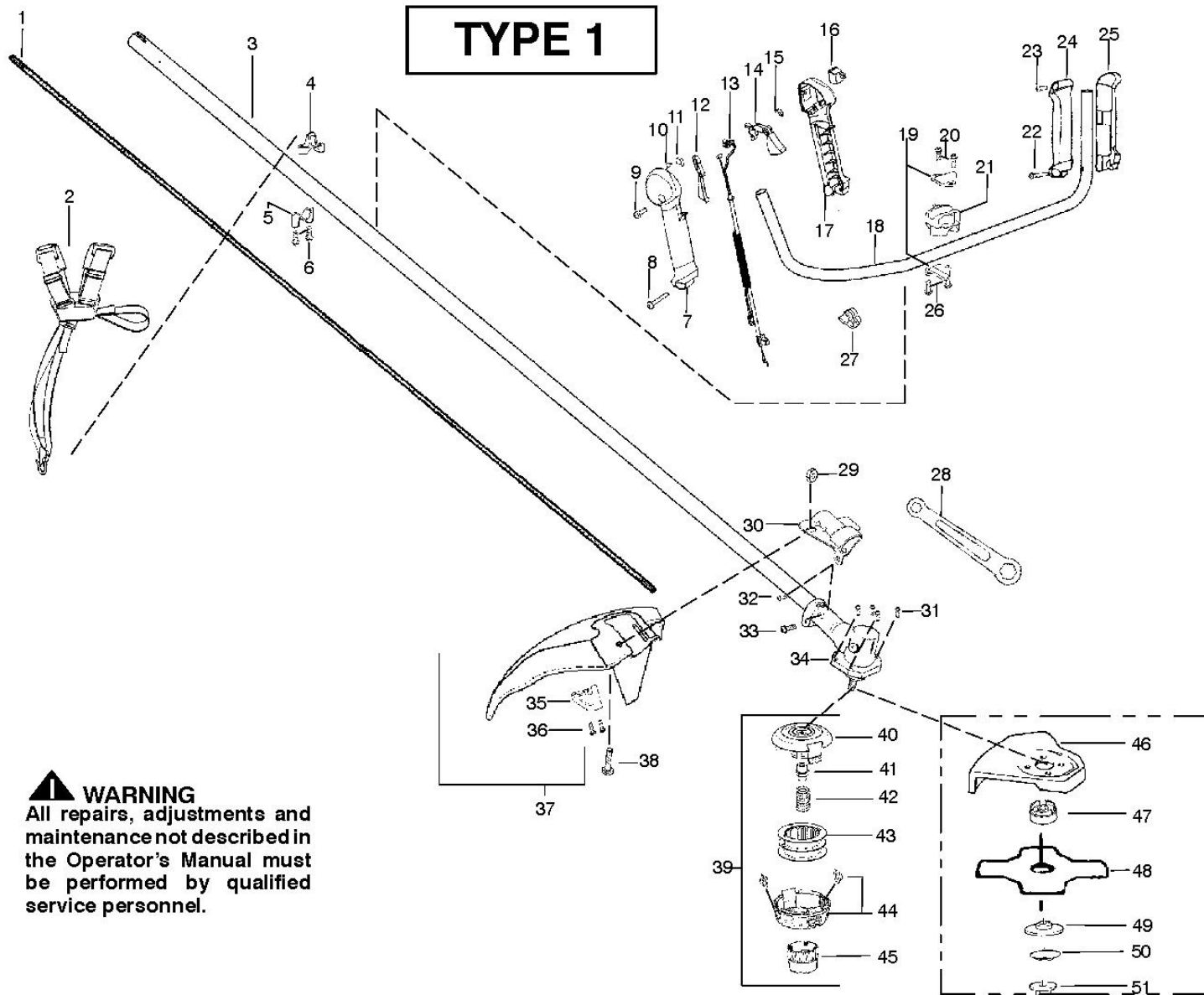


Ref	Part No.	Description	QTY	KIT
1	530 01 58-80	SCREW	1	
2	530 05 89-82	BOLT	1	
3	530 05 78-63	ASSY MUFFLER/SHIELD	1	
4	530 01 59-53	SCREW	1	
5	952 03 02-49	SPARK PLUG	1	
6	530 01 25-41	CYLINDER	1	
7	530 07 17-50	GASKET KIT	1	
8	530 05 51-20	PISTON RING	1	
9	530 01 51-62	CIRCLIP	1	
10	530 07 18-33	KIT	1	
11	530 01 25-79	CRANKSHAFT ASSY	1	
12	530 01 25-82	CRANKCASE	1	
13	530 07 17-50	GASKET KIT	1	
14	530 05 75-47	ADAPTER	1	
15	530 01 64-41	SCREW	1	
16	530 07 17-50	GASKET KIT	1	
17	545 08 18-07	CARBURETTOR	1	
	530 05 87-09	PRIMER BULB	1	

Ref	Part No.	Description	QTY	KIT
	530 03 54-97	PURGE BULB-188-16	1	
19	530 05 92-46	AIR BOX	1	
20	530 01 64-29	SCREW	1	
21	530 03 65-75	AIR FILTER	1	
22	530 05 75-45	COVER	1	
23	530 03 55-05	MODULE--IGNITION	1	
24	530 05 97-58	SPACER	1	
25	530 01 63-57	SCREW	1	
26	545 05 48-01	WIRE ASSY	1	
27	530 01 63-91	SCREW	1	
28	530 01 63-86	SCREW	1	
29	530 05 48-34	HANDLE-STARTER	1	
30	530 07 17-98	KIT	1	
31	530 05 51-22	CLUTCH ASSY	1	
32	530 09 41-89	WASHER	1	
33	545 01 60-04	HSG FAN W/EYELET PP GOLD	1	
34	545 21 36-01	SPRING	1	
35	530 07 17-97	KIT	1	
36	545 08 06-01	BAFFLE FAN	1	
37	530 01 58-80	SCREW	1	
38	530 01 64-63	WASHER	1	
39	530 03 92-43	FLYWHEEL ASSY	1	
40	545 10 21-01	ASSY C'CASE & C'SHAFT	1	
41	530 01 59-41	CLIP	1	
42	530 05 57-28	BEARING	1	
43	530 01 92-64	SEAL	1	
44	530 03 21-25	BEARING	1	
45	530 07 17-85	PISTON	1	
46	530 06 99-45	CONNECTING ROD	1	
47	530 07 17-50	GASKET KIT	1	
48	530 05 79-54	PLUG ASSY	1	
49	530 01 63-86	SCREW	1	
50	530 05 75-39	SHROUD REAR BLACK	1	
51	530 01 64-45	SCREW FUEL TANK RETAINER	1	
52	530 05 79-74	FUEL TANK ASSY	1	
53	530 05 79-73	ASSY FUEL CAP W/RETAINER	1	
54	530 06 92-47	HOSE	1	
55	530 06 92-16	FUEL PIPE	1	
56	530 09 56-46	FILTER	1	
57	530 07 17-50	GASKET KIT	1	
58	530 15 02-47	CLUTCH DRUM	1	
59	545 07 73-01	CLUTCH COVER ASSY	1	
60	530 01 63-19	SCREW	1	
61	530 01 57-72	SCREW	1	
62	530 01 63-81	SCREW	1	
63	530 01 63-82	NUT--NOSE CONE	1	
64	530 01 58-14	SCREW	1	
65	530 01 61-79	SCREW	1	
66	530 01 64-06	SCREW	1	

Ref	Part No.	Description	QTY	KIT
67	545 16 24-01	SPARE NOSE	1	
	530 05 85-69	LEVER	1	
	530 05 92-97	LEVER	1	

SHAFT & HANDLE

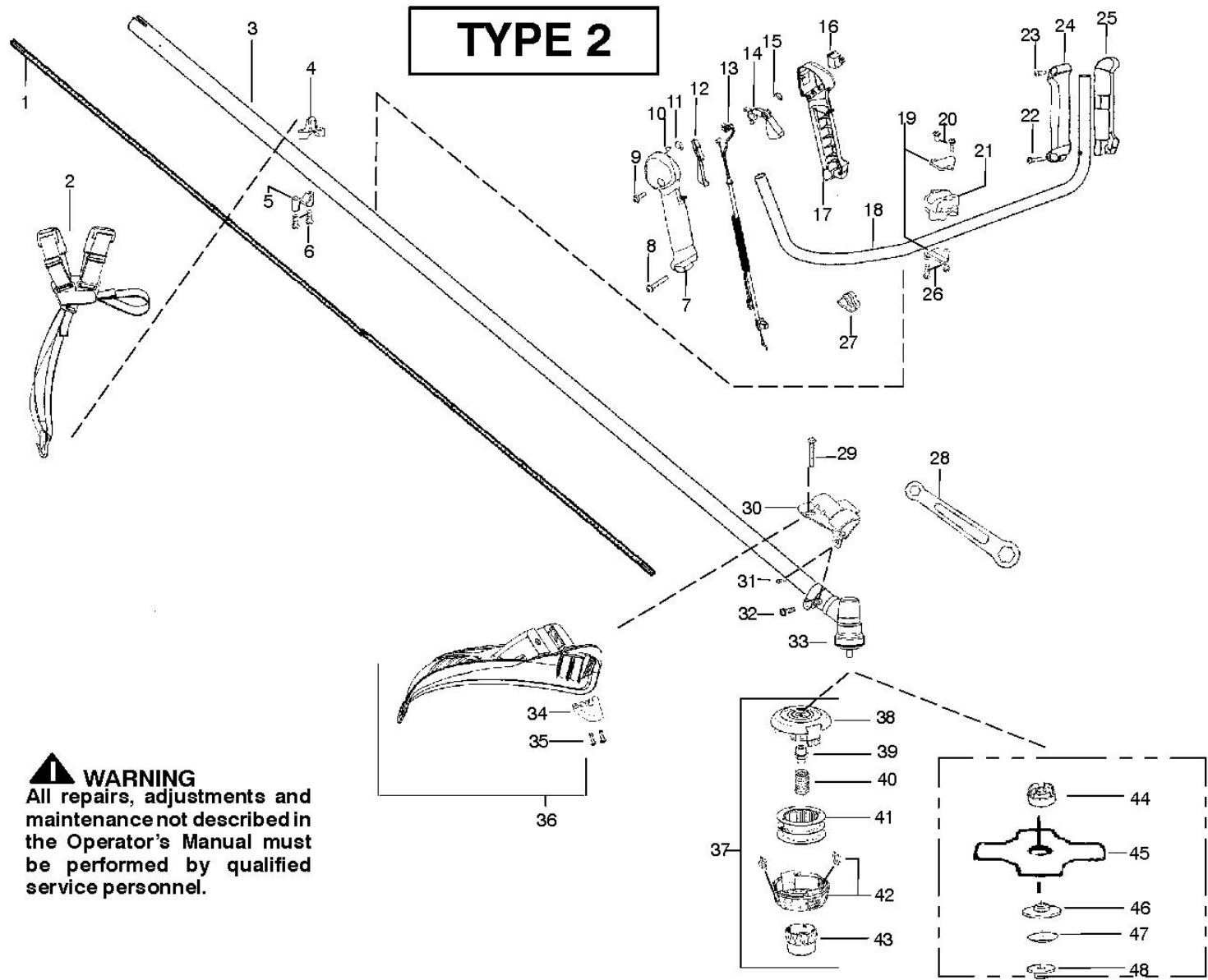


Ref	Part No.	Description	QTY	KIT
1	530 09 62-03	FLEX SHAFT W/STOP	1	
2	544 84 58-02	HARNES	1	
3	545 00 80-21	TUBE DRIVESHAFT	1	
4	530 05 79-86	CLAMP HARNES UPPER,	1	
5	545 05 66-01	STAPLE	1	
6	530 01 59-40	SCREW	1	
7	545 15 89-01	HOUSING	1	
8	530 01 64-06	SCREW	1	
9	530 01 59-34	SCREW	1	
10	545 16 52-01	SPRING	1	
11	545 15 93-01	THROTTLE LOCKOUT	1	
12	545 15 94-01	THROTTLE LOCKOUT	1	
13	545 16 20-01	WIRE ASSY	1	
14	545 15 95-01	TRIGGER	1	
15	545 16 53-01	SPRING	1	
16	530 06 95-72	SWITCH	1	
17	545 15 97-01	HOUSING	1	
18	545 16 23-01	HANDLEBAR ASSY	1	

Ref	Part No.	Description	QTY	KIT
19	530 05 85-63	CLAMP BRACKET,	1	
20	530 01 58-86	SCREW	1	
21	545 02 45-04	CLAMP	1	
22	530 01 64-06	SCREW	1	
23	530 01 59-34	SCREW	1	
24	545 15 90-01	HANDLE	1	
25	545 15 91-01	HANDLE	1	
26	530 01 59-40	SCREW	1	
27	502 21 12-01	STAPLE	1	
28	530 05 64-01	WRENCH	1	
29	530 01 51-97	NUT	1	
30	545 15 07-01	BRACKET	1	
31	530 01 63-12	SCREW	1	
32	530 01 57-75	SCREW	1	
33	530 01 60-14	SCREW	1	
34	530 09 61-00	GEARBOX,	1	
35	530 05 22-85	LIMITER LINE	1	
36	530 01 58-14	SCREW	1	
37	545 08 10-01	KIT	1	
38	530 01 58-20	SCREW	1	
39	537 41 92-11	TRIMMER HEAD	1	
40	537 41 93-02	HOUSING	1	
41	537 41 99-01	ADAPTER	1	
42	537 33 88-01	SPRING	1	
43	530 09 63-28	Assy spool (incl. line),	1	
44	545 00 33-65	EYELET	1	
45	537 41 96-01	KNOB	1	
46	530 07 19-47	KIT	1	
47	530 09 58-15	CUP	1	
48	530 05 58-92	ASSEMBLY	1	
49	530 09 58-16	WASHER	1	
50	530 01 62-40	WASHER	1	
51	530 01 57-93	NUT	1	
	545 15 42-53	OPERATOR'S MANUAL	1	
	545 15 42-49	OPERATOR'S MANUAL	1	
	545 15 42-48	OPERATOR'S MANUAL	1	
	545 15 42-47	OPERATOR'S MANUAL	1	
	545 15 42-46	OPERATOR'S MANUAL	1	
	545 15 42-50	OPERATOR'S MANUAL	1	
	545 15 42-45	OPERATOR'S MANUAL	1	
	530 15 03-14	LABEL	1	
	530 05 63-35	DECAL	1	
	530 03 11-59	WRENCH	1	
	502 03 55-05	TRANSPORT GUARD	1	



SHAFT & HANDLE



Ref	Part No.	Description	QTY	KIT
1	530 09 62-03	FLEX SHAFT W/STOP	1	
2	544 84 58-02	HARNESS	1	
3	545 00 80-21	TUBE DRIVESHAFT	1	
4	530 05 79-86	CLAMP HARNESS UPPER,	1	
5	545 05 66-01	STAPLE	1	
6	530 01 59-40	SCREW	1	
7	545 15 89-01	HOUSING	1	
8	530 01 64-06	SCREW	1	
9	530 01 59-34	SCREW	1	
10	545 16 52-01	SPRING	1	
11	545 15 93-01	THROTTLE LOCKOUT	1	
12	545 15 94-01	THROTTLE LOCKOUT	1	
13	545 16 20-01	WIRE ASSY	1	
14	545 15 95-01	TRIGGER	1	
15	545 16 53-01	SPRING	1	
16	530 06 95-72	SWITCH	1	
17	545 15 97-01	HOUSING	1	
18	545 16 23-01	HANDLEBAR ASSY	1	

Ref	Part No.	Description	QTY	KIT
19	530 05 85-63	CLAMP BRACKET,	1	
20	530 01 58-86	SCREW	1	
21	545 02 45-04	CLAMP	1	
22	530 01 64-06	SCREW	1	
23	530 01 59-34	SCREW	1	
24	545 15 90-01	HANDLE	1	
25	545 15 91-01	HANDLE	1	
26	530 01 59-40	SCREW	1	
27	502 21 12-01	STAPLE	1	
28	530 05 64-01	WRENCH	1	
29	530 01 57-71	SCREW	1	
30	575 96 34-01	BRACKET	1	
31	530 01 57-75	SCREW	1	
32	530 01 60-14	SCREW	1	
33	574 80 97-01	GEARBOX	1	
34	530 05 22-86	BLADE	1	
35	530 01 58-14	SCREW	1	
36	575 35 27-01	KIT	1	
37	537 41 92-11	TRIMMER HEAD	1	
38	537 41 93-02	HOUSING	1	
39	537 41 99-01	ADAPTER	1	
40	537 33 88-01	SPRING	1	
41	530 09 63-28	Assy spool (incl. line),	1	
42	545 00 33-65	EYELET	1	
43	537 41 96-01	KNOB	1	
44	530 09 58-15	CUP	1	
45	530 05 58-92	ASSEMBLY	1	
46	530 09 58-16	WASHER	1	
47	530 01 62-40	WASHER	1	
48	530 01 57-93	NUT	1	
	530 15 03-14	LABEL	1	
	530 05 63-35	DECAL	1	
	530 03 11-59	WRENCH	1	
	502 03 55-05	TRANSPORT GUARD	1	