

C23

CS45EM

Serial No.

MODEL:CS45EM
 C23-01 CYLINDER/PISTON/CRANK

003	001-04093-90	CYLINDER SET	#	1	*07
004	017-04093-20	CYLINDER GASKET	#	1	82830
005	684-32625-20	SPECIAL SCREW M5X20		4	82831
007	004-04093-80	DECOMPRESSION COMP.	#	1	
008	020-04093-20	DECOMP COVER		1	
031	039-04093-20	PISTON PIN CIRCLIP		2	
032	041-04093-20	PISTONRING	#	2	
033	030-04093-90	PISTON SET	#	1	
034	037-04093-20	PISTON PIN	#	1	
035	036-04093-20	PISTON PIN COLLAR	#	2	
036	999-62111-581	NEEDLE BEARING	#	1	
037	046-04093-80	CRANK SHAFT COMP.	#	1	
038	068-04093-20	WOOD -RUFF KEY	#	1	

C23-02 CRANK CASE

011	101-32625-20	BAR TIGHTENING BOLT	#	2	
012	999-66152-874	OIL SEAL ISD15284.5	#	1	
016	065-04093-20	FLY WHEEL WASHER		1	
017	066-04093-20	FLY WHEEL NUT		1	
022	685-32625-20	SPECIAL SCREW M5X25		5	
023	999-66153-572	OIL SEAL ISCD 15354.5	#	1	
024	285-32625-20	STOPPER A	#	1	
025	286-32625-20	STOPPER B	#	1	
031	224-32625-20	DAMPER CAP A		3	
032	688-32625-20	SPECIAL SCREW M5X16		3	
033	219-32625-80	FRONT DAMPER COMP.	#	3	
040	642-32625-90	OIL TANK CAP ASS'Y	#	1	
041	072-04093-90	CRANK CASE ASS'Y	#	1	
042	081-04093-20	PIN		3	
043	523-32625-20	OIL TANK CAP PACKING		1	
044	029-32625-20	STOP RING C,INNER		1	
045	089-04093-80	BEARING	#	2	
047	192-32625-20	H.L GROMMET	#	1	
049	090-04093-20	CRANK CASE GASKET	#	1	
058	466-32625-20	PLATE	#	1	
063	155-04093-90	MAGNETO ROTOR ASS'Y	#	1	
064	859-32625-20	STOP RING E		2	
065	790-04093-20	PAWL SPRING	#	2	
066	788-04093-20	STARTER PAWL		2	
067	994-16040-101	SCREW 4X10/WS		2	

C23-03 IGNITION SYSTEM

001	153-04093-90	IGNITION COIL ASS'Y	#	1	
002	178-04093-20	CORD	#	1	
003	157-04093-90	PLUG CAP ASS'Y	#	1	
005	018-04093-20	SPARK PLUG RCJ6Y	#	1	
006	255-04093-20	SPARK PLUG COVER	#	1	
007	485-04093-20	RUBBER CAP	#	1	
008	179-04093-80	STOP CORD	#	1	
009	170-04093-80	STOP SWITCH COMP.	#	1	
010	266-04093-20	STOP BUTTON COVER		1	
011	640-04093-20	STOP BUTTON STAY	#	1	

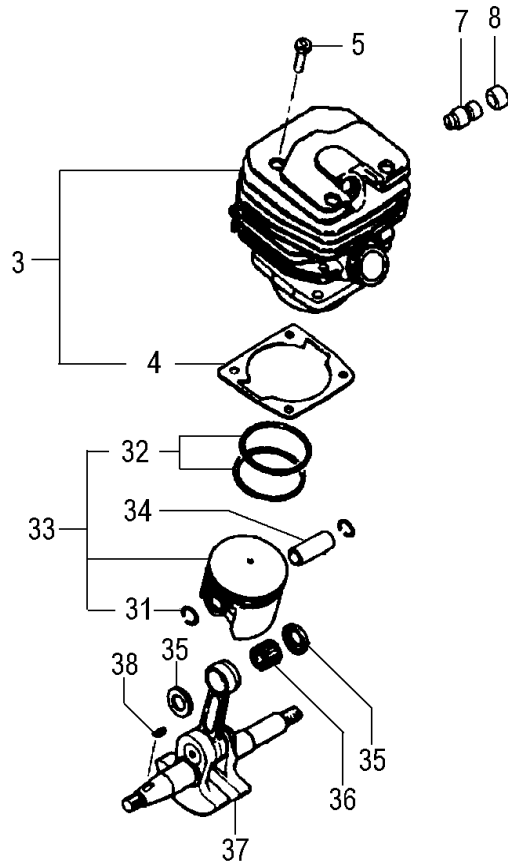
012	691-32625-20	SPECIAL SCREW M5X10		1
013	250-04093-20	INSULATOR TUBE	#	1
015	162-04093-90	STOP SWITCH ASS'Y	#	1
020	145-04093-80	AIR DEFLECTOR	#	1
025	240-32625-20	DAMPER SEAT	#	1
035	690-32625-20	SPECIAL SCREW M5X20		2
		C23-04 CLUTCH/OIL PUMP		
001	562-04093-20	AIR VENT VALVE B		1
002	567-04093-20	AIR VENT SPONGE		1
003	680-32625-20	CLIP		1
004	480-32625-20	OIL PIPE	#	1
005	486-32625-80	OIL FILTER BODY COMP.	#	1
006	515-32625-20	OIL PIPE A	#	1
007	689-32625-20	SPECIAL BOLT M4X14		5
008	144-32625-90	OIL PUMP ASS'Y	#	1
009	094-32625-20	OIL SPONGE		1
010	084-32625-20	SCREW GEAR		1
011	276-04093-90	CLUTCH ASS'Y	#	1
012	318-32625-20	CLUTCH HOUSING	#	1
013	350-32625-20	NEEDLE BEARING	#	1
014	097-32625-20	OIL PUMP COVER	#	1
015	121-32625-20	CHAIN BAR CLAMP NUT		2
017	329-32625-20	RIM SPROCKET	#	1
021	461-32625-20	GUIDE PLATE A	#	1
022	686-32625-20	SPECIAL SCREW M4X10		1
030	480-32625-90	OIL PIPE ASS'Y	#	1
031	342-04093-20	CLUCH SPRING		1
034	359-04093-20	CLUTCH WASHER B	#	1
035	467-32625-20	GUIDE		1
041	125-32625-80	CHAIN CATCHER	#	1
042	683-32625-20	SPECIAL SCREW M5X14		1
043	683-32625-20	SPECIAL SCREW M5X14		2
044	460-32625-20	SPIKE	#	1
060	234-32625-20	DAMPER A	#	1
061	275-32625-20	DAMPER COLLAR A		1
062	688-32625-20	SPECIAL SCREW M5X16		1
		C23-05 AIR CLEANER/MUFFLER		
001	133-04093-20	HEAT SHIELD	#	1
002	404-04093-80	CARB.INSULATOR COMP.	#	1
004	683-32625-20	SPECIAL SCREW M5X14		2
007	495-32625-20	ELBOW JOINT	#	1
008	425-32625-20	CLIP A		1
009	678-32625-20	RUBBER PIPE	#	1
011	402-04093-20	CARBURETOR GASKET		1
012	249-04093-20	SPACER	#	1
013	067-32625-20	SPRING	#	1
014	393-04093-20	INLET MANIFOLD	#	1
015	750-04093-20	MUFFLER SPCIAL BOLT	#	2
018	401-32625-20	INLET MANIFOLD RING	#	1
020	737-04093-20	MUFFLER GASKET		1
021	704-04093-90	MUFFLER SET	#	1
022	735-04093-20	MUFFLER COVER	#	1

023	691-32625-20	SPECIAL SCREW M5X10		2
024	726-04093-20	MUFFLER NUT		2
		C23-06 RECOIL STARTER		
000	756-04093-90	RECOIL STARTER ASS'Y	#	1
001	112-04093-80	FANCASE COMP.	#	1
002	780-04093-20	ROPE GUIDE		1
003	783-04093-20	STARTER ROPE	#	1
004	785-04093-20	STARTER HANDLE	#	1
005	795-04093-20	ROPE STOPPER		1
006	778-04093-90	RECOIL SPRING CASE ASS'Y	#	1
007	193-32625-20	H.L GUIDE	#	1
008	774-04093-20	STARTER ROPE REEL	#	1
009	787-04093-20	STARTER BOSS	#	1
010	786-04093-20	STARTER WASHER		1
011	690-32625-20	SPECIAL SCREW M5X20		1
015	683-32625-20	SPECIAL SCREW M5X14		4
		C23-07 CARBURETOR		
000	455-25330-91	CARBURETOR ASS'Y		1
002	578-25007-20	INLET SCREEN		1
003	575-25330-80	PUMP BODY	#	1
004	514-25001-20	SET SCREW		1
005	577-25007-20	PUMP GASKET		1
006	576-25330-20	PUMP DIAPHRAGM	#	1
007	603-25012-20	NEEDLE VALVE	#	1
008	475-25038-20	DIAPHRAGM GASKET		1
009	474-25001-80	METERING DIAPHRAGM COMP.	#	1
010	476-25004-20	DIAPHRAGM COVER		1
011	477-25080-20	VALVE SPRING		1
012	546-25001-20	HINGE PIN SET SCREW		1
013	605-25001-20	HINGE PIN		1
015	496-25032-20	CHOKE SPRING		1
016	567-25032-20	STEEL BALL		1
018	473-25001-20	VALVE HINGE		1
022	463-25006-20	IDLE ADJUST SPRING		1
023	462-25330-20	IDLE ADJUST SCREW	#	1
026	548-25012-20	SET SCREW		4
		C23-08 CLEANER COVER		
001	452-04093-90	CLEANER COVER ASS'Y	#	1
002	175-32625-20	CLEANER KNOB	#	1
003	418-04093-20	CLEANER PACKING		1
005	428-04093-80	FILTER SCREEN	#	1
006	444-04093-20	CLEANER ELEMENT A		1
007	993-11041-012	TAPPING SCREW 4X10		1
008	486-04093-20	RUBBER CAP		1
010	016-04093-90	CYLINDER COVER ASS'Y	#	1
011	683-32625-20	SPECIAL SCREW M5X14		5
012	213-32625-80	HANDLE DAMPER COMP.	#	1
013	381-04093-20	SPECIAL NUT	#	1
014	191-32625-20	GROMMET		1
025	420-04093-80	CLEANER ELEMENT COMP.	#	1
		C23-09 SIDE CASE/CHAIN BAKE		
020	040-32625-90	SIDE CASE ASS'Y	#	1

021	803-32625-20	HAND GUARD SHAFT	#	1
022	039-32625-80	SIDE CASE COMP.	#	1
023	287-32625-20	STOPPER C	#	1
024	116-32625-20	CHAIN TENSION BOLT	#	1
026	115-32625-20	TENSION ADJUSTING BOSS	#	1
027	462-32625-20	GUIDE PLATE B	#	1
028	300-32625-20	GEAR	#	1
030	467-32625-20	GUIDE		1
031	325-32625-20	CHAIN PROTECTOR	#	1
035	805-32625-90	FRONT HAND GUARD ASS'Y	#	1
036	499-32626-20	SPRING PIN		1
037	860-32625-20	STOP RING E		1
038	809-32625-20	WEIGHT SPRING		1
039	808-32625-20	HAND GUARD WE/GHT	#	1
040	804-32625-20	HAND GUARD SPRING	#	1
041	513-32625-20	WASHER		1
042	859-32625-20	STOP RING E		2
043	802-32625-20	SPACER		1
044	811-32625-20	PIN	#	1
045	373-32625-20	BRAKE ARM	#	1
046	374-32625-20	BRAKE SPRING	#	1
047	374-32626-20	BRAKE SPRING	#	1
048	386-32625-20	BRAKE LINK SUPPORT	#	1
049	384-32625-20	COLLAR		1
051	379-32625-80	BRAKE LINK COMP.	#	1
052	375-32625-20	BRAKE LINK COVER	#	1
053	376-32625-20	BRAKE BAND HOLDER		1
054	378-32625-20	BRAKE BAND	#	1
055	695-32625-20	SPECIAL SCREW M4X12 C23-10 HANDLE		5
001	687-32625-20	SPECIAL SCREW M5X19		1
002	227-32625-20	REAR HANDLE GRIP	#	1
003	257-32625-20	SAFTY LEVER		1
005	493-32625-20	GROMMET		1
006	490-32625-20	THROTTLE ROD	#	1
011	209-32625-80	FRONT HANDLE COMP.	#	1
012	693-32625-20	SPECIAL BOLT		1
013	687-32625-20	SPECIAL SCREW M5X19		1
016	436-04093-80	AIR CLEANER BASE COMP.	#	1
017	223-32625-80	REAR DAMPER COMP.	#	2
018	295-32625-20	DAMPER SET BOLT A	#	2
019	265-32625-20	DAMPER CAP B		2
020	426-32625-20	CLIP B		1
021	565-04093-20	AIR VENT PIPE		1
022	699-04093-91	FUEL PIPE ASS'Y	#	1
023	702-32625-90	FUEL PIPE ASS'Y		1
024	478-32625-20	COLLAR	#	1
025	675-04093-90	PUMP FILTER BODY ASS'Y	#	1
030	599-04093-20	CUSHION RUBBER	#	1
031	692-32625-20	SPECIAL SCREW M5X52		2
035	635-32625-90	TANK CAP ASS'Y	#	1
037	630-32625-20	TANK CAP PACKING		1

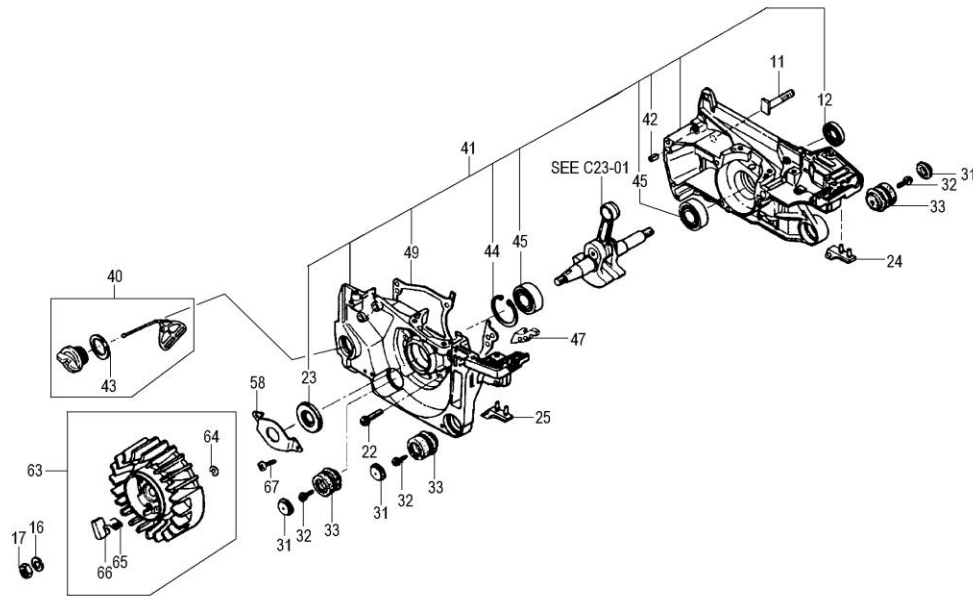
040	715-32625-20	GUIDE		1
041	706-32625-80	CHOKE ROD COMP.		1
042	707-32625-21	CHOKE ROD RUBBER		1
045	646-32625-90	AIR VENT VALVE ASS'Y	#	1
055	012-32626-90	REAR HANDLE ASS'Y		1
059	232-32625-20	FRONT DAMPER		1
060	694-32625-20	SPECIAL SCREW M4X16		1
061	423-32625-20	PACKING		1
062	060-32625-20	THROTTLE LEVER		1
063	061-32625-20	THROTTLE LEVER SPRING		1
064	499-32625-20	SPRING PIN		1
065	052-32626-20	GROMMET A		1
		C23-11 COVER/CHAIN/CHAIN BAR/		
002	105-72832-20	CHAIN BAR 18 .325 SP		1
011	136-32578-20	BAR CHAIN 0.325 18 ,21BP-72E #		1
021	942-3257B-20	CHAIN COVER 450MM	#	1
051	883-32625-20	COMBI.SPANNER	#	1
		C23-12 DECALS		
001	906-72832-20	NAME PLATE HITACHI		1
002	909-32625-22	CAUTION MARK		1
003	915-72832-20	STARTER MARK CS45EM		1

C23-01 CS45EM CYLINDER/PISTON/CRANK SHAFT



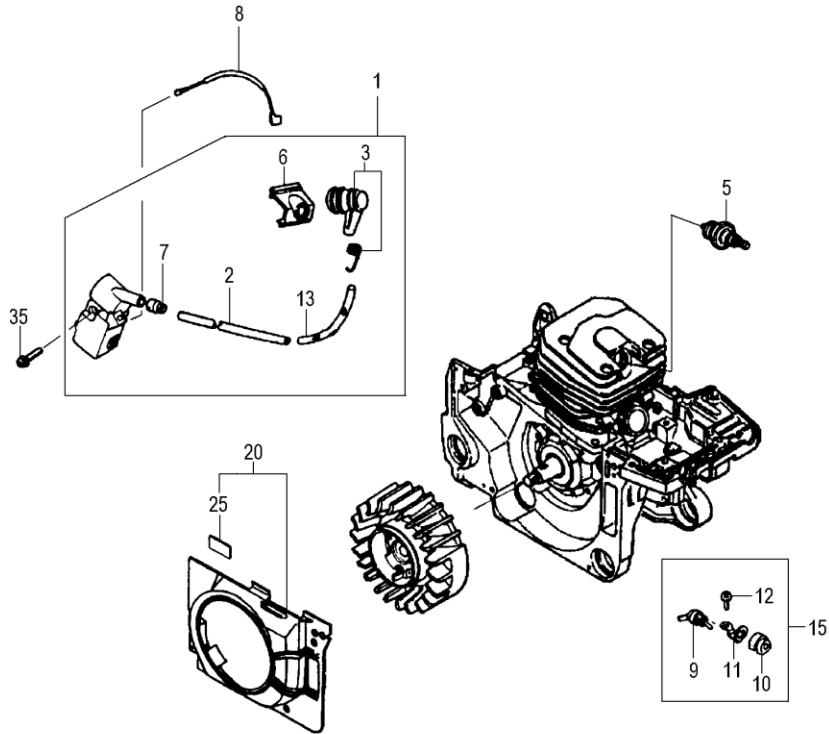
REF. NUMBER	DESCRIPTION	Q'TY	SERIAL NUMBER
003	CYLINDER SET #	1	001-04093-90
004	CYLINDER GASKET #	1	017-04093-20
005	SPECIAL SCREW M5X20	4	684-32625-20
007	DECOMPRESSION COMP.	1	004-04093-80
008	DECOMP COVER	1	020-04093-20
031	PISTON PIN CIRCLIP	2	039-04093-20
032	PISTONRING #	2	041-04093-20
033	PISTON SET #	1	030-04093-90
034	PISTON PIN #	1	037-04093-20
035	PISTON PIN COLLAR #	2	036-04093-20
036	NEEDLE BEARING #	1	999-62111-581
037	CRANK SHAFT COMP.	1	046-04093-80
038	WOOD -RUFF KEY #	1	068-04093-20

C23-02 CS45EM CRANK CASE

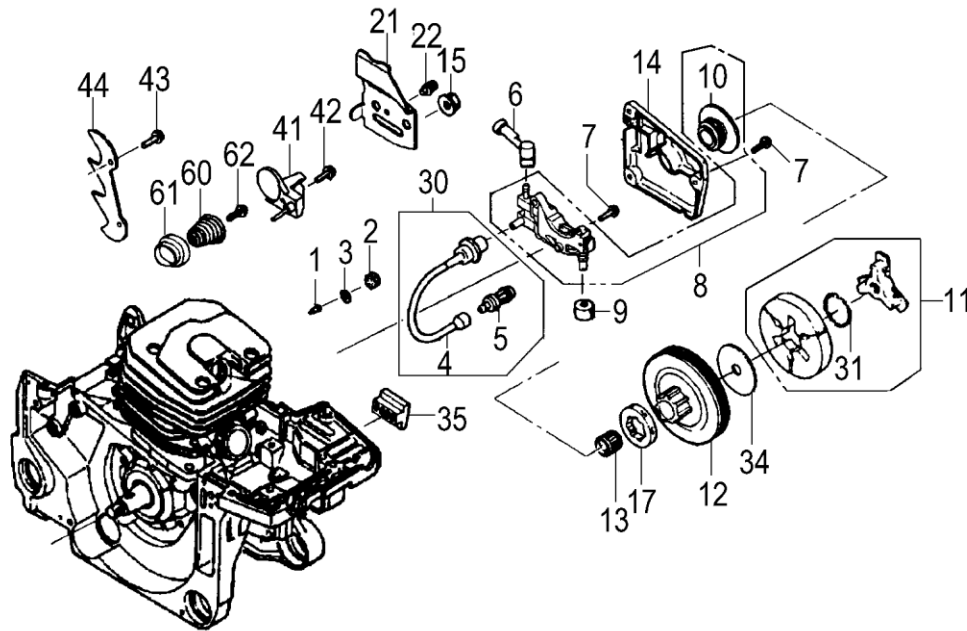


REF. NUMBER	DESCRIPTION	Q'TY	SERIAL NUMBER
011	BAR TIGHTENING BOLT	2	101-32625-20
012	OIL SEAL ISD15284.5 #	1	999-66152-874
016	FLY WHEEL WASHER	1	065-04093-20
017	FLY WHEEL NUT	1	066-04093-20
022	SPECIAL SCREW M5X25	5	685-32625-20
023	OIL SEAL ISCD 15354.5 #	1	999-66153-572
024	STOPPER A #	1	285-32625-20
025	STOPPER B #	1	286-32625-20
031	DAMPER CAP A	3	224-32625-20
032	SPECIAL SCREW M5X16	3	688-32625-20
033	FRONT DAMPER COMP.	3	219-32625-80
040	OIL TANK CAP ASS'Y #	1	642-32625-90
041	CRANK CASE ASS'Y #	1	072-04093-90
042	PIN	3	081-04093-20
043	OIL TANK CAP PACKING	1	523-32625-20
044	STOP RING C,INNER	1	029-32625-20
045	BEARING #	2	089-04093-80
047	H.L GROMMET #	1	192-32625-20
049	CRANK CASE GASKET	1	090-04093-20
058	PLATE #	1	466-32625-20
063	MAGNETO ROTOR ASS'Y	1	155-04093-90
064	STOP RING E	2	859-32625-20
065	PAWL SPRING #	2	790-04093-20
066	STARTER PAWL	2	788-04093-20
067	SCREW 4X10/WS	2	994-16040-101

C23-03 CS45EM IGNITION SYSTEM

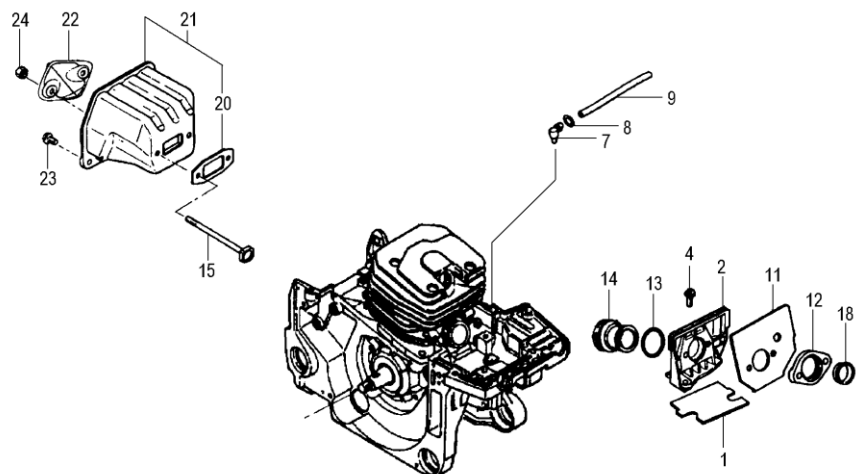


REF. NUMBER	PARTS NUMBER	DESCRIPTION	Q'TY	SERIAL NUMBER
001	153-04093-90	IGNITION COIL ASS'Y	# 1	
002	178-04093-20	CORD	# 1	
003	157-04093-90	PLUG CAP ASS'Y	# 1	
005	018-04093-20	SPARK PLUG RCJ6Y	# 1	
006	255-04093-20	SPARK PLUG COVER	1	
007	485-04093-20	RUBBER CAP	# 1	
008	179-04093-80	STOP CORD	# 1	
009	170-04093-80	STOP SWITCH COMP.	1	
010	266-04093-20	STOP BUTTON COVER	1	
011	640-04093-20	STOP BUTTON STAY	1	
012	691-32625-20	SPECIAL SCREW M5X10	1	
013	250-04093-20	INSULATOR TUBE	# 1	
015	162-04093-90	STOP SWITCH ASS'Y	# 1	
020	145-04093-80	AIR DEFLECTOR	# 1	
025	240-32625-20	DAMPER SEAT	# 1	
035	690-32625-20	SPECIAL SCREW M5X20	2	

C23-04 CS45EM CLUTCH/OIL PUMP


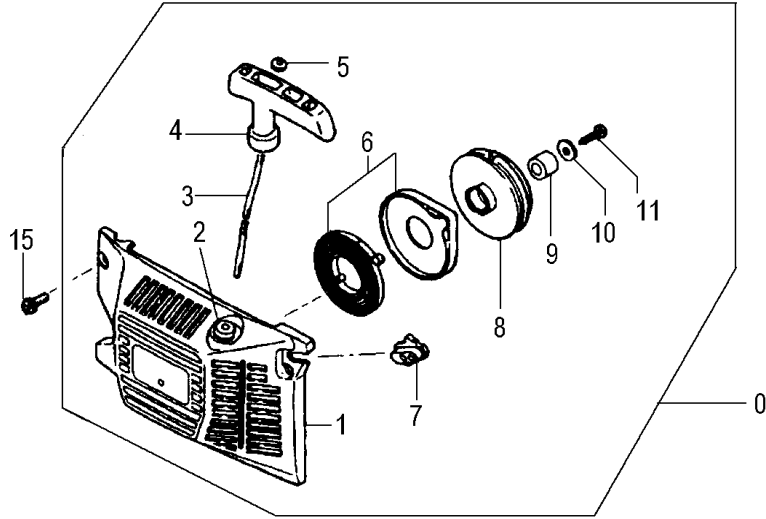
REF. NUMBER	DESCRIPTION	Q'TY	SERIAL NUMBER
001	AIR VENT VALVE B	1	562-04093-20
002	AIR VENT SPONGE	1	567-04093-20
003	CLIP	1	680-32625-20
004	OIL PIPE #	1	480-32625-20
005	OIL FILTER BODY COMP.	1	486-32625-80
006	OIL PIPE A #	1	515-32625-20
007	SPECIAL BOLT M4X14	5	689-32625-20
008	OIL PUMP ASS'Y #	1	144-32625-90
009	OIL SPONGE	1	094-32625-20
010	SCREW GEAR	1	084-32625-20
011	CLUTCH ASS'Y #	1	276-04093-90
012	CLUTCH HOUSING #	1	318-32625-20
013	NEEDLE BEARING #	1	350-32625-20
014	OIL PUMP COVER #	1	097-32625-20
015	CHAIN BAR CLAMP NUT	2	121-32625-20
017	RIM SPROCKET #	1	329-32625-20
021	GUIDE PLATE A #	1	461-32625-20
022	SPECIAL SCREW M4X10	1	686-32625-20
030	OIL PIPE ASS'Y #	1	480-32625-90
031	CLUCH SPRING	1	342-04093-20
034	CLUTCH WASHER B	1	359-04093-20
035	GUIDE	1	467-32625-20
041	CHAIN CATCHER #	1	125-32625-80
042	SPECIAL SCREW M5X14	1	683-32625-20
043	SPECIAL SCREW M5X14	2	683-32625-20
044	SPIKE #	1	460-32625-20
060	DAMPER A #	1	234-32625-20
061	DAMPER COLLAR A	1	275-32625-20
062	SPECIAL SCREW M5X16	1	688-32625-20

C23-05 CS45EM AIR CLEANER/MUFFLER



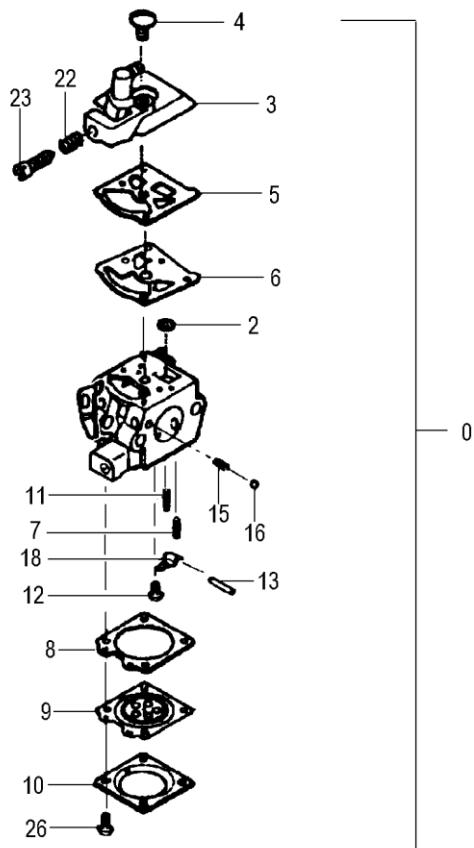
REF. NUMBER	PARTS NUMBER	DESCRIPTION	Q'TY	SERIAL NUMBER
001	133-04093-20	HEAT SHIELD #	1	
002	404-04093-80	CARB.INSULATOR COMP.	1	
004	683-32625-20	SPECIAL SCREW M5X14	2	
007	495-32625-20	ELBOW JOINT #	1	
008	425-32625-20	CLIP A	1	
009	678-32625-20	RUBBER PIPE #	1	
011	402-04093-20	CARBURETOR GASKET	1	
012	249-04093-20	SPACER #	1	
013	067-32625-20	SPRING #	1	
014	393-04093-20	INLET MANIFOLD #	1	
015	750-04093-20	MUFFLER SPCIAL BOLT	2	
018	401-32625-20	INLET MANIFOLD RING	1	
020	737-04093-20	MUFFLER GASKET	1	
021	704-04093-90	MUFFLER SET #	1	
022	735-04093-20	MUFFLER COVER #	1	
023	691-32625-20	SPECIAL SCREW M5X10	2	
024	726-04093-20	MUFFLER NUT	2	

C23-06 CS45EM RECOIL STARTER



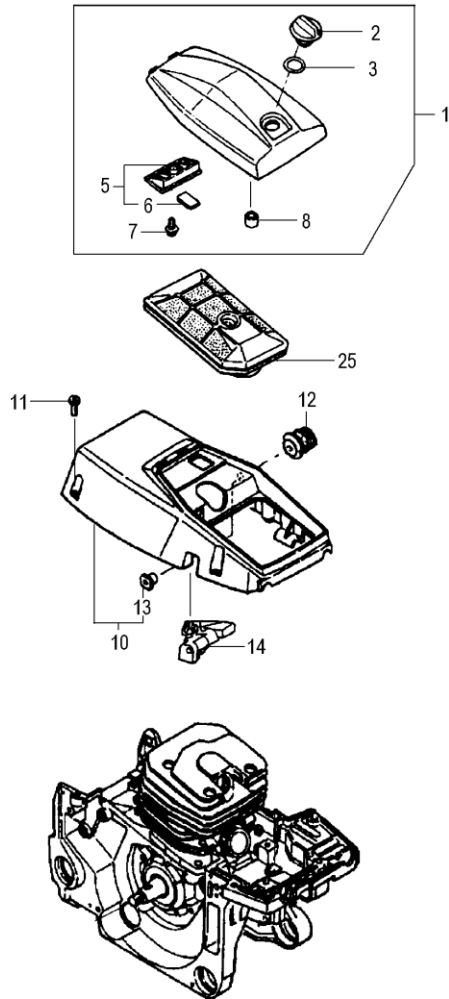
REF. NUMBER	PARTS NUMBER	DESCRIPTION	Q'TY	SERIAL NUMBER
000	756-04093-90	RECOIL STARTER ASS'Y	1	
001	112-04093-80	FANCASE COMP.	# 1	
002	780-04093-20	ROPE GUIDE	1	
003	783-04093-20	STARTER ROPE	# 1	
004	785-04093-20	STARTER HANDLE	# 1	
005	795-04093-20	ROPE STOPPER	1	
006	778-04093-90	RECOIL SPRING CASE ASS'Y	1	
007	193-32625-20	H.L GUIDE	# 1	
008	774-04093-20	STARTER ROPE REEL	1	
009	787-04093-20	STARTER BOSS	# 1	
010	786-04093-20	STARTER WASHER	1	
011	690-32625-20	SPECIAL SCREW M5X20	1	
015	683-32625-20	SPECIAL SCREW M5X14	4	

C23-07 CS45EM CARBURETOR



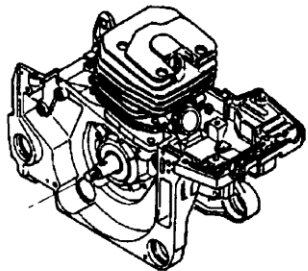
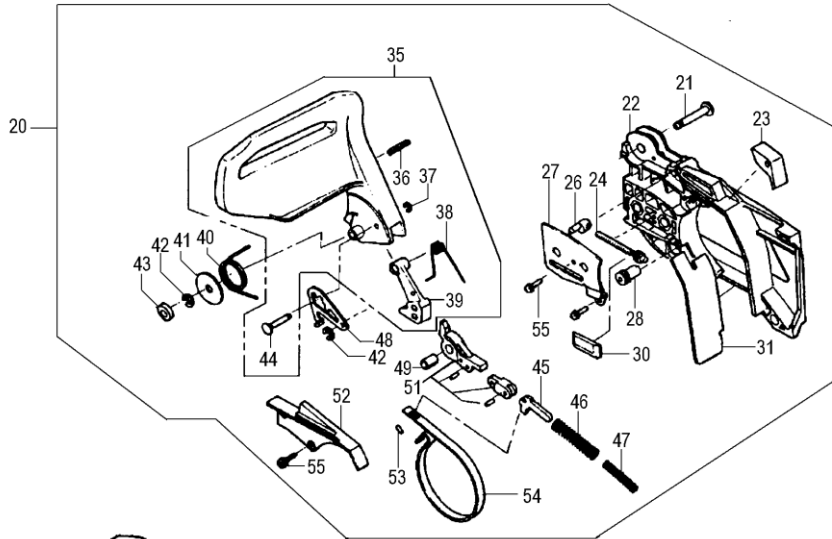
REF. NUMBER	PARTS NUMBER	DESCRIPTION	Q'TY	SERIAL NUMBER
000	455-25330-91	CARBURETOR ASS'Y	1	
002	578-25007-20	INLET SCREEN	1	
003	575-25330-80	PUMP BODY #	1	
004	514-25001-20	SET SCREW	1	
005	577-25007-20	PUMP GASKET	1	
006	576-25330-20	PUMP DIAPHRAGM	1	
007	603-25012-20	NEEDLE VALVE #	1	
008	475-25038-20	DIAPHRAGM GASKET	1	
009	474-25001-80	METERING DIAPHRAGM CO	1	
010	476-25004-20	DIAPHRAGM COVER	1	
011	477-25080-20	VALVE SPRING	1	
012	546-25001-20	HINGE PIN SET SCREW	1	
013	605-25001-20	HINGE PIN	1	
015	496-25032-20	CHOKE SPRING	1	
016	567-25032-20	STEEL BALL	1	
018	473-25001-20	VALVE HINGE	1	
022	463-25006-20	IDLE ADJUST SPRING	1	
023	462-25330-20	IDLE ADJUST SCREW	1	
026	548-25012-20	SET SCREW	4	

C23-08 CS45EM CLEANER COVER



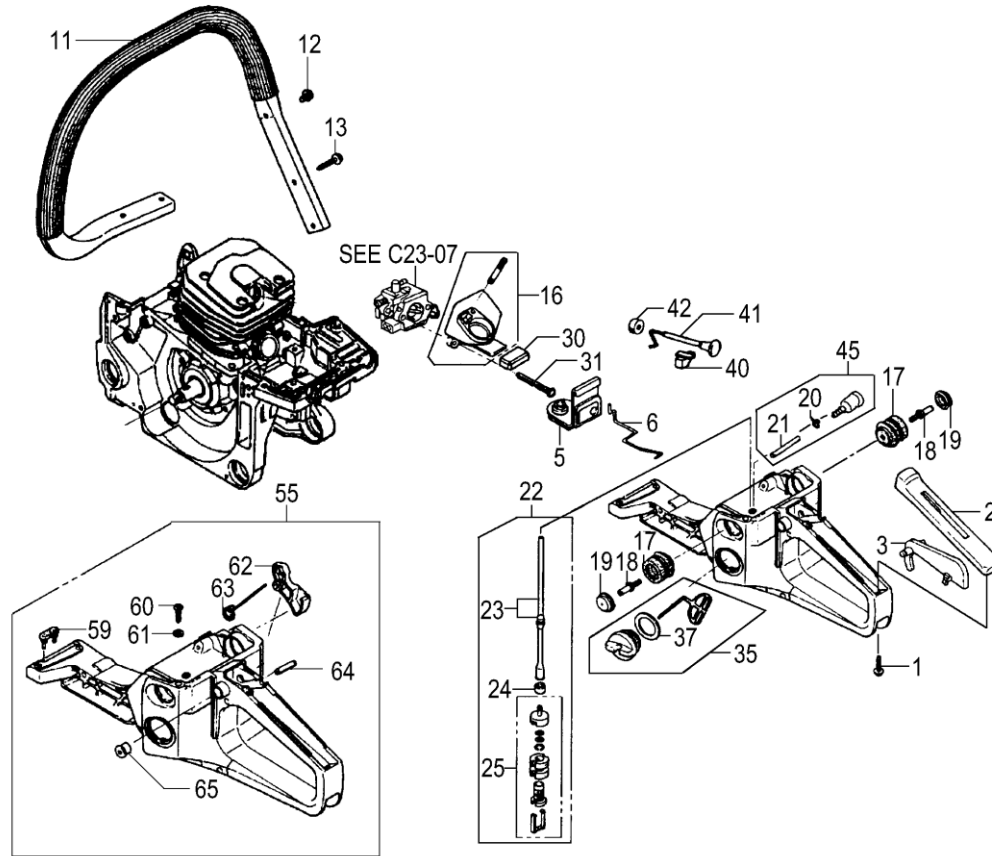
REF. NUMBER	PARTS NUMBER	DESCRIPTION	Q'TY	SERIAL NUMBER
001	452-04093-90	CLEANER COVER ASS'Y	1	
002	175-32625-20	CLEANER KNOB #	1	
003	418-04093-20	CLEANER PACKING	1	
005	428-04093-80	FILTER SCREEN #	1	
006	444-04093-20	CLEANER ELEMENT A	1	
007	993-11041-012	TAPPING SCREW 4X10	1	
008	486-04093-20	RUBBER CAP	1	
010	016-04093-90	CYLINDER COVER ASS'Y	1	
011	683-32625-20	SPECIAL SCREW M5X14	5	
012	213-32625-80	HANDLE DAMPER COMP.	1	
013	381-04093-20	SPECIAL NUT #	1	
014	191-32625-20	GROMMET	1	
025	420-04093-80	CLEANER ELEMENT COMP.	1	

C23-09 CS45EM SIDE CASE/CHAIN BRAKE



REF. NUMBER	PARTS NUMBER	DESCRIPTION	Q'TY	SERIAL NUMBER
020	040-32625-90	SIDE CASE ASS'Y	# 1	
021	803-32625-20	HAND GUARD SHAFT	1	
022	039-32625-80	SIDE CASE COMP.	# 1	
023	287-32625-20	STOPPER C	# 1	
024	116-32625-20	CHAIN TENSION BOLT	1	
026	115-32625-20	TENSION ADJUSTING BOSS	1	
027	462-32625-20	GUIDE PLATE B	# 1	
028	300-32625-20	GEAR	# 1	
030	467-32625-20	GUIDE	1	
031	325-32625-20	CHAIN PROTECTOR	1	
035	805-32625-90	FRONT HAND GUARD ASS'Y	1	
036	499-32626-20	SPRING PIN	1	
037	860-32625-20	STOP RING E	1	
038	809-32625-20	WEIGHT SPRING	1	
039	808-32625-20	HAND GUARD WE/GHT	1	
040	804-32625-20	HAND GUARD SPRING	1	
041	513-32625-20	WASHER	1	
042	859-32625-20	STOP RING E	2	
043	802-32625-20	SPACER	1	
044	811-32625-20	PIN	# 1	
045	373-32625-20	BRAKE ARM	# 1	
046	374-32625-20	BRAKE SPRING	# 1	
047	374-32626-20	BRAKE SPRING	# 1	
048	386-32625-20	BRAKE LINK SUPPORT	1	
049	384-32625-20	COLLAR	1	
051	379-32625-80	BRAKE LINK COMP.	# 1	
052	375-32625-20	BRAKE LINK COVER	1	
053	376-32625-20	BRAKE BAND HOLDER	1	
054	378-32625-20	BRAKE BAND	# 1	
055	695-32625-20	SPECIAL SCREW M4X12	5	

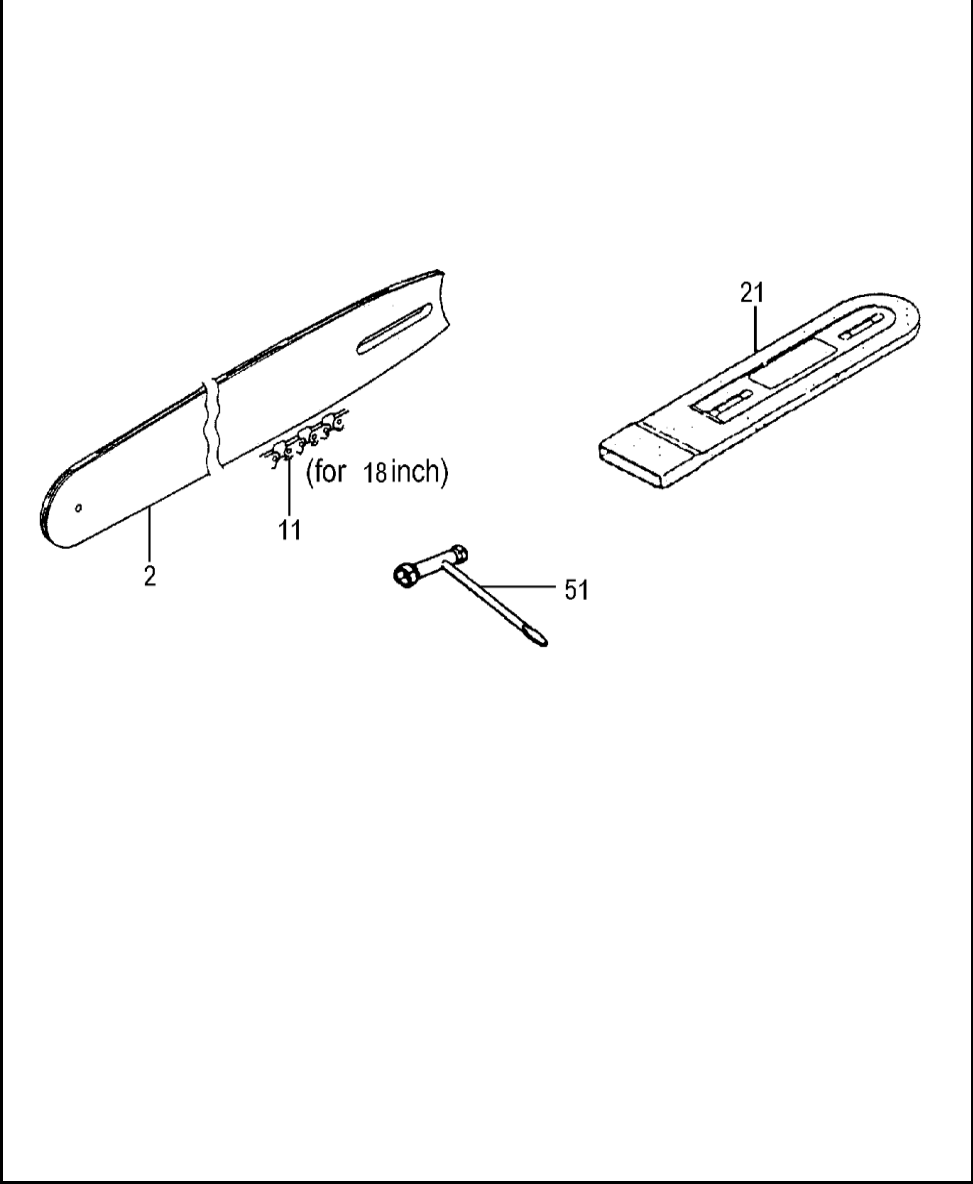
C23-10 CS45EM HANDLE



REF. NUMBER	DESCRIPTION	Q'TY	SERIAL NUMBER
001	SPECIAL SCREW M5X19	1	687-32625-20
002	REAR HANDLE GRIP	#	227-32625-20
003	SAFTY LEVER	1	257-32625-20
005	GROMMET	1	493-32625-20
006	THROTTLE ROD	#	490-32625-20
011	FRONT HANDLE COMP.	1	209-32625-80
012	SPECIAL BOLT	1	693-32625-20
013	SPECIAL SCREW M5X19	1	687-32625-20
016	AIR CLEANER BASE COMP.	1	436-04093-80
017	REAR DAMPER COMP.	2	223-32625-80
018	DAMPER SET BOLT A	2	295-32625-20
019	DAMPER CAP B	2	265-32625-20
020	CLIP B	1	426-32625-20
021	AIR VENT PIPE	1	565-04093-20
022	FUEL PIPE ASS'Y	#	699-04093-91
023	FUEL PIPE ASS'Y	1	702-32625-90
024	COLLAR	#	478-32625-20
025	PUMP FILTER BODY ASS'Y	1	675-04093-90
030	CUSHION RUBBER	#	599-04093-20
031	SPECIAL SCREW M5X52	2	692-32625-20
035	TANK CAP ASS'Y	#	635-32625-90
037	TANK CAP PACKING	1	630-32625-20
040	GUIDE	1	715-32625-20
041	CHOKE ROD COMP.	1	706-32625-80
042	CHOKE ROD RUBBER	1	707-32625-21
045	AIR VENT VALVE ASS'Y	1	646-32625-90
055	REAR HANDLE ASS'Y	1	012-32626-90
059	FRONT DAMPER	1	232-32625-20
060	SPECIAL SCREW M4X16	1	694-32625-20
061	PACKING	1	423-32625-20
062	THROTTLE LEVER	1	060-32625-20
063	THROTTLE LEVER SPRING	1	061-32625-20
064	SPRING PIN	1	499-32625-20
065	GROMMET A	1	052-32626-20

C23-11 CS45EM COVER/CHAIN/CHAIN BAR/TOOLS

REF. NUMBER	PARTS NUMBER	DESCRIPTION	Q'TY	SERIAL NUMBER
002	105-72832-20	CHAIN BAR 18 .325 SP	1	
011	136-32578-20	BAR CHAIN 0.325 18 ,21BP-7	1	
021	942-3257B-20	CHAIN COVER 450MM	1	
051	883-32625-20	COMBI.SPANNER	# 1	



C23-12 CS45EM DECALS

2

REF. NUMBER	PARTS NUMBER	DESCRIPTION	Q'TY	SERIAL NUMBER
001	906-72832-20	NAME PLATE HITACHI	1	
002	909-32625-22	CAUTION MARK	1	
003	915-72832-20	STARTER MARK CS45EM	1	