

# C08

## CS30EH (S)

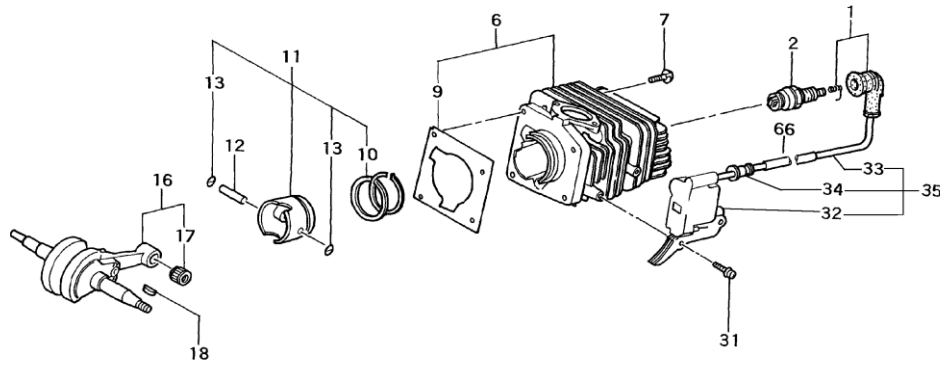
Serial No.

		ODEL:CS30EH		
		C08-01 CYLINDER/PISTON/CRANK		
001	157-11666-90	SPARK PLUG CAP ASS'Y	1	*07
002	018-00555-20	SPARK PLUG, RCJ8Y	1	82103
006	001-01750-90	CYLINDER SET	1	
007	994-61050-184	HEX. HOLE BOLT 5X18/S	4	
009	017-01750-20	CYLINDER GASKET	1	
010	041-04000-20	PISTON RING	2	
011	030-01750-90	PISTON SET,SPARE	1	
012	037-01400-20	PISTON PIN	1	
013	039-00000-20	PISTON PIN CIRCLIP	2	
016	046-01751-80	CRANK SHAFT COMP.	1	
017	999-62091-325	NEEDLE BRG F-910 1.4X8.5	1	
018	068-10100-20	WOOD-RUFF KEY 3X13X4.5	1	
031	994-16040-186	HIGH TENSION SCREW 4X18WS	2	
032	167-20555-80	IGNITION COIL COMP.	1	
033	178-20555-20	HIGHTENSION SION CORD 110L	1	
034	560-20517-20	RUBBER CAP	1	
035	167-20555-90	IGNITION COIL ASS'Y	1	
066	755-32050-20	CORD INSULATOR TUBE	1	
		C08-02 CRANK CASE		
019	071-04063-21	SHIM 0.1	V	
019	071-04063-23	SHIM 0.2	V	
019	071-04063-24	SHIM 0.3	V	
021	066-00000-20	FLYWHEEL NUT 12	1	
022	992-10070-012	S.WASHER 7	1	
023	992-01070-011	WASHER 7	1	
024	155-20544-90	MAGNET ROTOR ASS'Y	1	
026	788-01740-20	STARTER PAWL	2	
027	790-01740-20	STARTER PAWL SPRING	2	
028	993-55040-001	STOP RING	2	
036	994-61050-204	HEX. HOLE BOLT 5X20/S	3	
041	072-01750-90	CRANK CASE ASS'Y	1	
042	999-66122-200	OIL SEAL TB 12227	2	
043	090-01750-20	CRANK CASE GASKET	1	
044	999-61620-106	BALL BEARING 6201 A2C3,32MM/OD	2	
046	999-05250-980	NEEDLE ROLLER 2.5X9.8	1	
		C08-03 ENGINE CASE/AIR CLEANER		
047	155-32970-81	CLEANER BODY COMP.	1	
048	403-04063-20	INLET MANIFOLD GASKET	1	
049	400-32970-20	INLET MANIFOLD SPACER	1	
050	391-01750-81	INLET MANIFOLD COMP.	1	
051	560-32970-90	ENGINE CASE ASS'Y	1	
052	562-04060-20	AIR VENT VALVE B	1	
053	431-32970-20	PLUS GUIDE	1	
054	629-01750-90	TANK INNER CAP ASS'Y	1	
057	994-63050-204	HEX.HOLE BOLT 5X20PS	4	
058	476-01700-20	BLOW OVER CHECK BOARD	1	
059	700-32970-20	CHOKE VALVE	1	
060	708-32350-20	CHOKE SHIM 0.8	2	
061	707-32970-20	CHOKE ROD RUBBER	1	
062	704-32970-80	CHOKE BUTTON COMP.	1	
064	190-32970-20	ADJUSTER CAP	1	
065	191-32970-20	IDLE SPONGE 25L	1	
067	051-32970-90	CLEANER COVER SET	1	
068	380-0631A-20	CLEANER COVER BOLT	1	
069	421-01750-20	CLEANER ELEMENT	1	
070	994-61040-124	HEX. HOLE BOLT 4X12S	2	
071	990-73045-144	TAPPING SCREW 4.5X14	4	
073	994-16050-422	SCREW 5X42/WS	2	
074	994-63050-185	HEX. HOLE BOLT 5X18PS	1	
075	027-0630A-20	COLLAR	1	
077	992-00050-011	SMALL WASHER 5	1	
		C08-04 MUFFLER		
026	994-14050-401	SCREW 5X40/S	2	
027	992-01050-011	WASHER 5	2	
028	704-01750-90	MUFFLER SET	1	
029	717-01750-80	MUFFLER BODY B COMP.	1	
030	724-01750-20	MUFFLER PIPE	1	
031	739-01750-20	MUFFLER JOINT GASKET	1	
032	716-01750-80	MUFFLER BODY A COMP.	1	
033	737-01750-20	MUFFLER GASKET	1	
		C08-05 FUEL LINE/OIL FILTER		

001	505-32710-20	OIL PIPE B	1
002	680-04019-21	CLIP 7	2
003	992-01050-011	WASHER 5	1
004	487-32712-20	OIL FILTER	1
005	486-32710-90	OIL FILTER BODY ASS'Y	1
010	497-32970-20	PIPE JOINT	1
011	442-25143-80	PRIMING PUMP COMP.	1
012	700-02504-09	FUEL PIPE 2.5X4X90	1
013	700-02504-21	FUEL PIPE 2.5X4X210	1
014	678-01750-20	RUBBER PIPE	1
016	222-01750-20	SHIELD TUBE	1
017	675-11600-90	PUMP FILTER BODY ASS'Y	1
035	635-72001-90	TANK CAP ASS'Y	1
037	630-3252K-20	TANK CAP GASKET	1
060	642-3252K-90	OIL TANK CAP ASS'Y	1
062	523-3252K-20	OIL TANK CAP GASKET	1
		C08-06 RECOIL STARTER	
000	756-0175D-90	S-STARTER ASS'Y	1
001	839-03045-20	SET SCREW	1
002	758-01761-20	DUMPER SPRING	1
003	774-01761-20	STARTER PULLY	1
004	783-01761-20	ROPE	1
005	778-01761-90	RECOIL SPRING CASE ASS'Y	1
007	785-01761-20	STARTER HANDLE	1
008	157-32970-20	INTAKE CHANGE LEVER	1
009	112-0175D-80	FAN CASE (S-START)	1
010	990-72045-204	TAPPING SCREW 4.5X20	4
011	129-01750-20	SEAL COVER	1
012	145-01750-20	AIR DEFLECTOR	1
014	759-0174M-20	CAM PLATE	1
015	795-04063-20	ROPE STOPPER	1
016	990-73045-144	TAPPING SCREW 4.5X14	1
		C08-07 CARBURETOR	
000	455-25302-90	CARBURETOR ASS'Y WT551	1
002	578-25007-20	INLET SCREEN	1
003	575-25028-20	PUMP BODY	1
004	514-25001-20	SET SCREW	1
005	577-25007-20	PUMP GASKET	1
006	576-25006-20	PUMP DIAPHRAGM	1
007	461-25301-20	LOW ADJUST SCREW	1
008	623-25032-20	HIGH/LOW ADJUST SPRING	1
009	473-25001-20	VALVE HINGE	1
010	546-25001-20	HINGE PIN SET SCREW	1
011	477-25080-20	VALVE SPRING	1
012	605-25001-20	HINGE PIN	1
013	476-25004-20	DIAPHRAGM COVER	1
014	474-25001-80	METERING DIAPHRAGM COMP.	# 1
015	475-25038-20	DIAPHRAGM GASKET	1
016	603-25012-20	NEEDLE VALVE	# 1
021	463-25006-20	IDLE ADJUST SPRING	1
022	462-25016-20	IDLE ADJUST SCREW	1
023	460-25301-20	HIGH ADJUST SCREW	1
024	485-25040-20	HIGH ADJUSTMENT SPRING	1
025	548-25012-20	SET SCREW	4
		C08-08 OIL PUMP	
008	994-16050-141	SCREW 5X14/WS	2
011	097-32970-20	OIL PUMP COVER	1
012	515-32710-20	OIL PIPE A	1
013	084-32900-20	SCREW GEAR	1
014	567-01750-20	AIRVENT SPONGE	1
015	144-32970-90	OIL PUMP ASS'Y	1
016	488-32970-20	OIL ADJUST GROMMET	1
017	501-32710-21	OIL PUMP ADJUSTER	1
018	999-67006-000	O-RING P-6	1
019	088-3277A-91	OIL PUMP CASE SET, SPARE	1
020	999-67006-000	O-RING P-6	1
036	990-72050-144	TAPPING SCREW 5X14	1
038	700-07105-02	VINYL PIPE 7X10.5X20	1
039	125-32710-20	CHAIN CATCHER	1
042	990-75045-144	TAPPING SCREW 4.5X14	2
		C08-09 CLUTCH/CHAIN BRAKE	
002	121-3253020	CHAIN BAR CLAMP NUT	2
004	287-01700-81	CLUTCH COMP.	1

005	999-62101-301	NEEDLE BRG 101310 1.5X7.5	1
006	310-32710-20	CLUTCH HOUSING	1
007	358-04050-20	CLUTCH WASHER	1
021	345-01700-20	CLUTCH SHOE	2
022	346-01700-20	CLUTCH BOSS	1
023	342-01700-20	CLUTCH SPRING	2
024	348-01700-21	CLUTCH PLATE A	2
025	992-74004-143	RIVET 4X14	2
031	993-41040-101	SCREW 4X10	1
032	461-32908-20	GUIDE PLATE A	1
037	511-32900-20	CRANKSHAFT COLLAR 7.7	1
045	993-41040-101	SCREW 4X10	1
046	040-32970-91	SIDE CASE ASSAY	1
047	462-32911-21	GUIDE PLATE B	1
048	993-30026-050	SCREW 2.6X5	1
049	365-32911-80	BRAKE HANDLE, BLACK	1
050	116-32911-80	TENSIONER BOLT COMP.	1
051	301-72000-20	GEAR A	1
052	375-32900-21	BRAKE LINK COVER, BLACK	1
054	374-32970-20	BRAKE SPRING	1
055	386-32901-80	BRAKE LINK SUPPORT COMP.	1
056	999-05300-980	NEEDLE ROLLER 3X9.8	1
057	379-32901-80	BRAKE LINK COMP.	1
058	378-3291R-20	BRAKE BAND	1
059	470-10246-20	CLEANER FIXING COLLAR	1
060	031-32901-20	COLLAR 7	1
061	039-32970-81	SIDE CASE COVER	1
062	388-32900-20	BLAKE LEVER SPRING	1
063	993-41040-151	HI-LO SCREW 4X15	3
		C08-10 HANDLE	
006	990-73050-354	TAPPING SCREW 5X35	2
009	470-10246-20	CLEANER FIXING COLLAR	2
010	244-32970-80	DAMPER COMP.	3
011	990-73050-404	TAPPING SCREW 5X40	1
012	275-32970-20	DAMPER COLLAR A	1
015	990-73050-164	TAPPING SCREW 5X16	2
016	011-32970-80	REAR HANDLE B	1
017	725-32161-20	PUSH PIN CAP	1
018	066-32300-20	STOPPER SPRING	1
020	064-32530-20	PUSH PIN	1
026	257-32910-20	SAFETY LEVER	1
027	060-32970-20	THROTTLE LEVER	1
028	061-32710-20	THROTTLE LEVER SPRING	1
033	010-32970-20	REAR HANDLE	1
039	993-41040-151	HI-LO SCREW 4X15	3
041	209-32970-20	FRONT HANDLE	1
042	274-01750-80	CORD W 180M	1
043	178-01751-80	CORD 325L	1
044	170-04063-80	STOP SWITCH COMP.	1
045	885-01750-80	THROTTLE WIRE COMP.	1
046	198-11600-80	CORD CLAMP COMP.	1
047	563-32970-20	ENGINE CASE COVER	1
048	990-73045-144	TAPPING SCREW 4.5X14	2
		C08-011 COVER/CHAIN/CHAIN BAR	
001	013-29323-50	COMBI. BOX SPANNER 10X19 MINUS	1
007	460-32970-20	SPIKE	1
008	990-72050-144	TAPPING SCREW 5X14	2
040	128-32911-20	CHAIN 12 X3/8 ,	1
041	109-72900-20	CHAIN BAR 12 3/8	1
064	943-32713-20	CHAIN COVER 12	1
		C08-12 DECALS	
001	906-72103-20	NAME PLATE CS30EH	1
002	909-72101-20	CAUTION MARK	1
003	915-72103-20	STARTER MARK CS30EH	1
		===== END OF DATA =====	

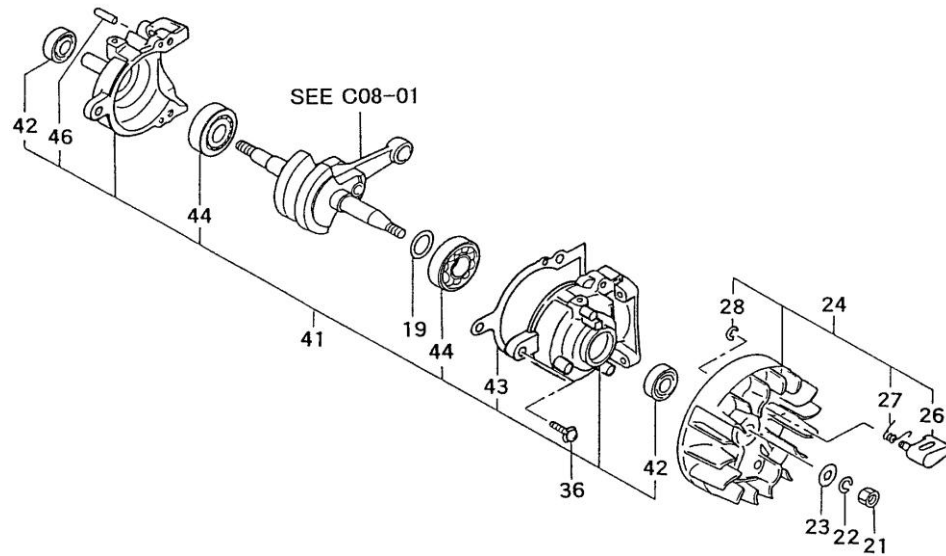
**C08-01 CS30EH (S) CYLINDER/PISTON/CRANK SHAFT**



REF. NUMBER	PARTS DESCRIPTION	Q'TY	SERIAL NUMBER
001	SPARK PLUG CAP ASS'Y	1	157-11666-90
002	SPARK PLUG, RCJ8Y	1	018-00555-20
006	CYLINDER SET	1	001-01750-90
007	HEX. HOLE BOLT 5X18/S	4	994-61050-184
009	CYLINDER GASKET	1	017-01750-20
010	PISTON RING	2	041-04000-20
011	PISTON SET, SPARE	1	030-01750-90
012	PISTON PIN	1	037-01400-20
013	PISTON PIN CIRCLIP	2	039-00000-20
016	CRANK SHAFT COMP.	1	046-01751-80
017	NEEDLE BRG F-910 1.4X8.5	1	999-62091-325
018	WOOD-RUFF KEY 3X13X4.5	1	068-10100-20
031	HIGH TENSION SCREW 4X18	2	994-16040-186
032	IGNITION COIL COMP.	1	167-20555-80
033	HIGHTENSION SION CORD 1	1	178-20555-20
034	RUBBER CAP	1	560-20517-20
035	IGNITION COIL ASS'Y	1	167-20555-90
066	CORD INSULATOR TUBE	1	755-32050-20

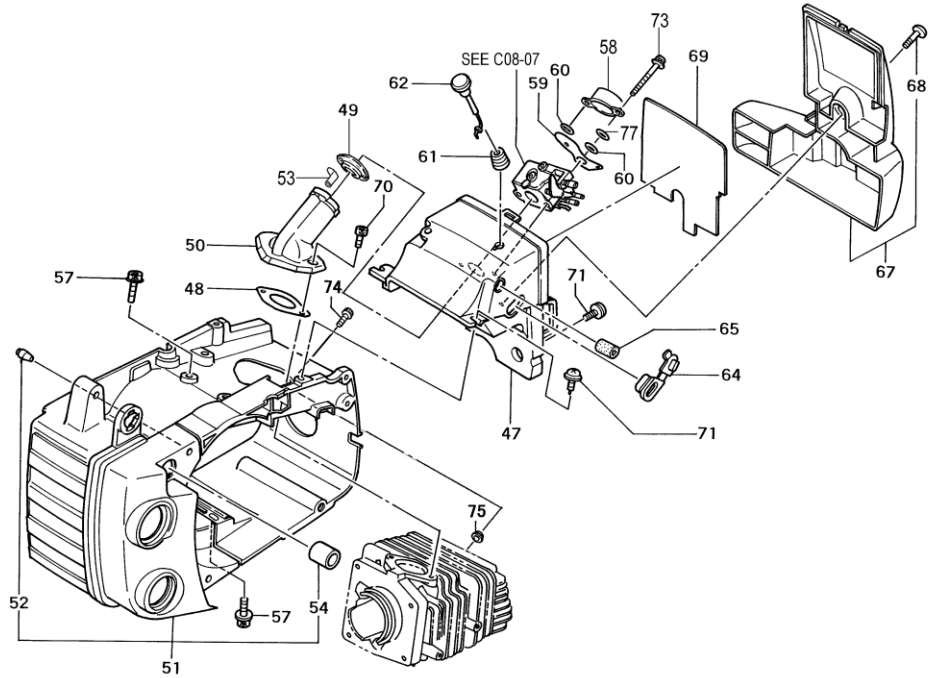
**C08-02**

**CS30EH (S) CRANK CASE**



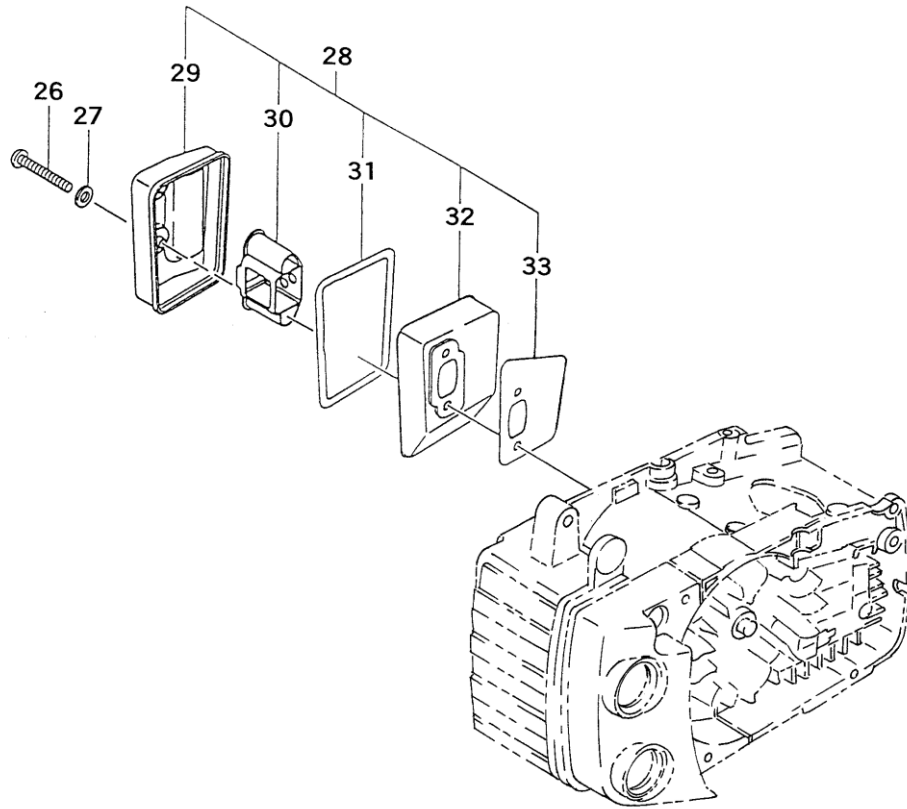
REF. NUMBER	PARTS DESCRIPTION	SERIAL NUMBER
019	SHIM 0.1	071-04063-21
019	SHIM 0.2	071-04063-23
019	SHIM 0.3	071-04063-24
021	FLYWHEEL NUT 12	066-00000-20
022	S.WASHER 7	992-10070-012
023	WASHER 7	992-01070-011
024	MAGNET ROTOR ASS'Y	155-20544-90
026	STARTER PAWL	788-01740-20
027	STARTER PAWL SPRING	790-01740-20
028	STOP RING	993-55040-001
036	HEX. HOLE BOLT 5X20/S	994-61050-204
041	CRANK CASE ASS'Y	072-01750-90
042	OIL SEAL TB 12227	999-66122-200
043	CRANK CASE GASKET	090-01750-20
044	BALL BEARING 6201 A2C3,32	999-61620-106
046	NEEDLE ROLLER 2.5X9.8	999-05250-980

**C08-03 CS30EH (S) ENGINE CASE/AIR CLEANER**



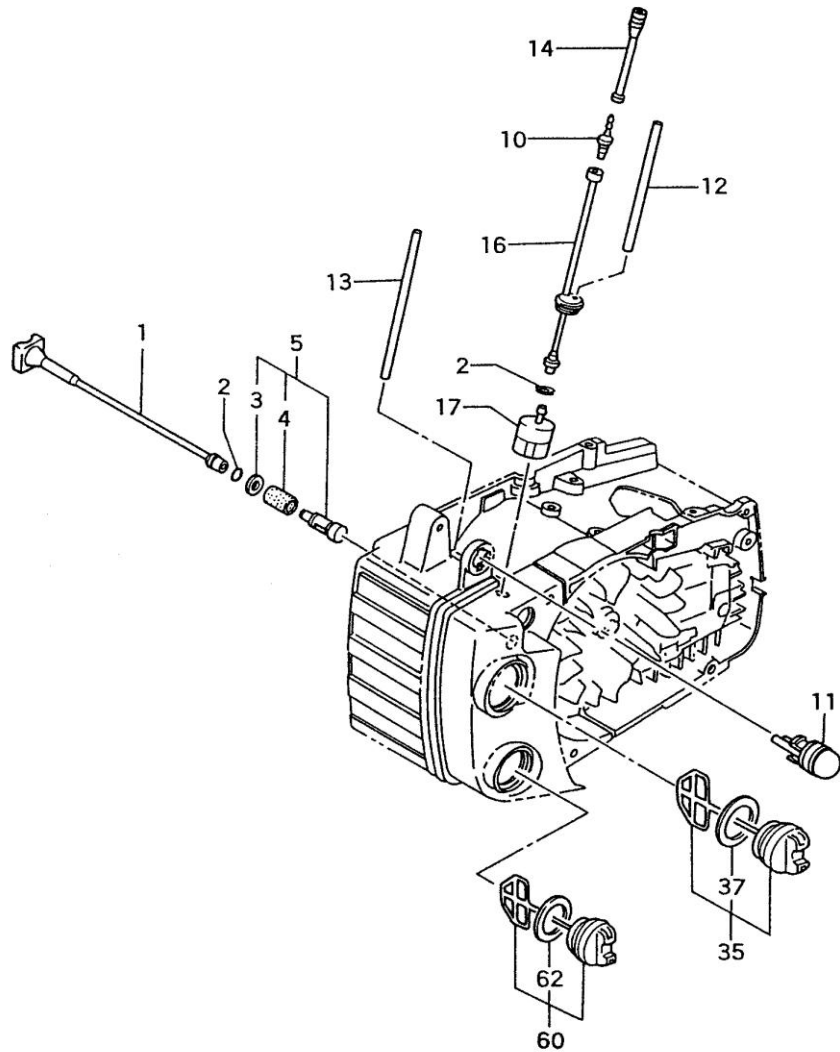
REF. NUMBER	PARTS NUMBER	PARTS DESCRIPTION	Q'TY	SERIAL NUMBER
047	155-32970-81	CLEANER BODY COMP.	1	
048	403-04063-20	INLET MANIFOLD GASKET	1	
049	400-32970-20	INLET MANIFOLD SPACER	1	
050	391-01750-81	INLET MANIFOLD COMP.	1	
051	560-32970-90	ENGINE CASE ASS'Y	1	
052	562-04060-20	AIR VENT VALVE B	1	
053	431-32970-20	PLUS GUIDE	1	
054	629-01750-90	TANK INNER CAP ASS'Y	1	
057	994-63050-204	HEX.HOLE BOLT 5X20PS	4	
058	476-01700-20	BLOW OVER CHECK BOARD	1	
059	700-32970-20	CHOKE VALVE	1	
060	708-32350-20	CHOKE SHIM 0.8	2	
061	707-32970-20	CHOKE ROD RUBBER	1	
062	704-32970-80	CHOKE BUTTON COMP.	1	
064	190-32970-20	ADJUSTER CAP	1	
065	191-32970-20	IDLE SPONGE 25L	1	
067	051-32970-90	CLEANER COVER SET	1	
068	380-0631A-20	CLEANER COVER BOLT	1	
069	421-01750-20	CLEANER ELEMENT	1	
070	994-61040-124	HEX. HOLE BOLT 4X12S	2	
071	990-73045-144	TAPPING SCREW 4.5X14	4	
073	994-16050-422	SCREW 5X42/WS	2	
074	994-63050-185	HEX. HOLE BOLT 5X18PS	1	
075	027-0630A-20	COLLAR	1	
077	992-00050-011	SMALL WASHER 5	1	

**C08-04 CS30EH (S) MUFFLER**



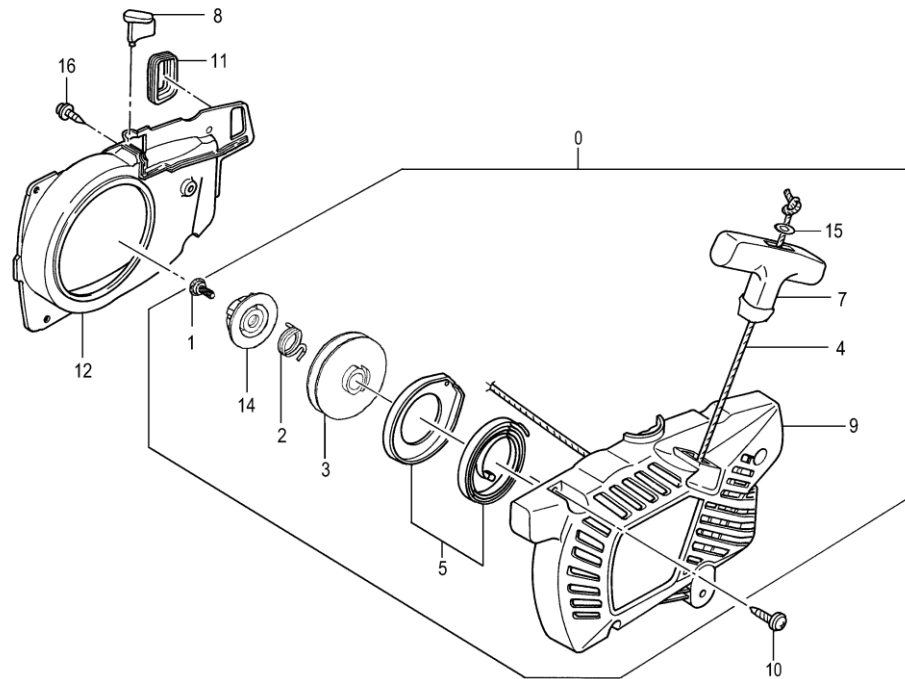
REF. NUMBER	PARTS DESCRIPTION	Q'TY	SERIAL NUMBER
026	SCREW 5X40/S	2	994-14050-401
027	WASHER 5	2	992-01050-011
028	MUFFLER SET	1	704-01750-90
029	MUFFLER BODY B COMP.	1	717-01750-80
030	MUFFLER PIPE	1	724-01750-20
031	MUFFLER JOINT GASKET	1	739-01750-20
032	MUFFLER BODY A COMP.	1	716-01750-80
033	MUFFLER GASKET	1	737-01750-20



**C08-05****CS30EH (S) FUEL LINE/OIL FILTER**

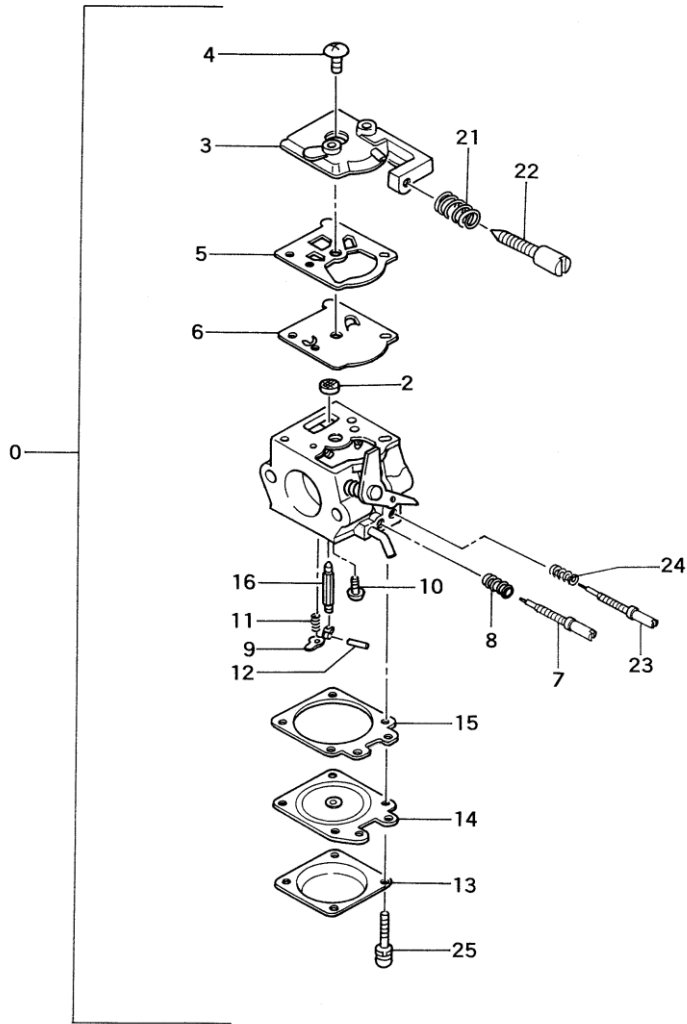
REF. NUMBER	PARTS DESCRIPTION	Q'TY	SERIAL NUMBER
001	OIL PIPE B	1	505-32710-20
002	CLIP 7	2	680-04019-21
003	WASHER 5	1	992-01050-011
004	OIL FILTER	1	487-32712-20
005	OIL FILTER BODY ASS'Y	1	486-32710-90
010	PIPE JOINT	1	497-32970-20
011	PRIMING PUMP COMP.	1	442-25143-80
012	FUEL PIPE 2.5X4X90	1	700-02504-09
013	FUEL PIPE 2.5X4X210	1	700-02504-21
014	RUBBER PIPE	1	678-01750-20
016	SHIELD TUBE	1	222-01750-20
017	PUMP FILTER BODY ASS'Y	1	675-11600-90
035	TANK CAP ASS'Y	1	635-72001-90
037	TANK CAP GASKET	1	630-3252K-20
060	OIL TANK CAP ASS'Y	1	642-3252K-90
062	OIL TANK CAP GASKET	1	523-3252K-20

**C08-06 CS30EH (S) RECOIL STARTER**

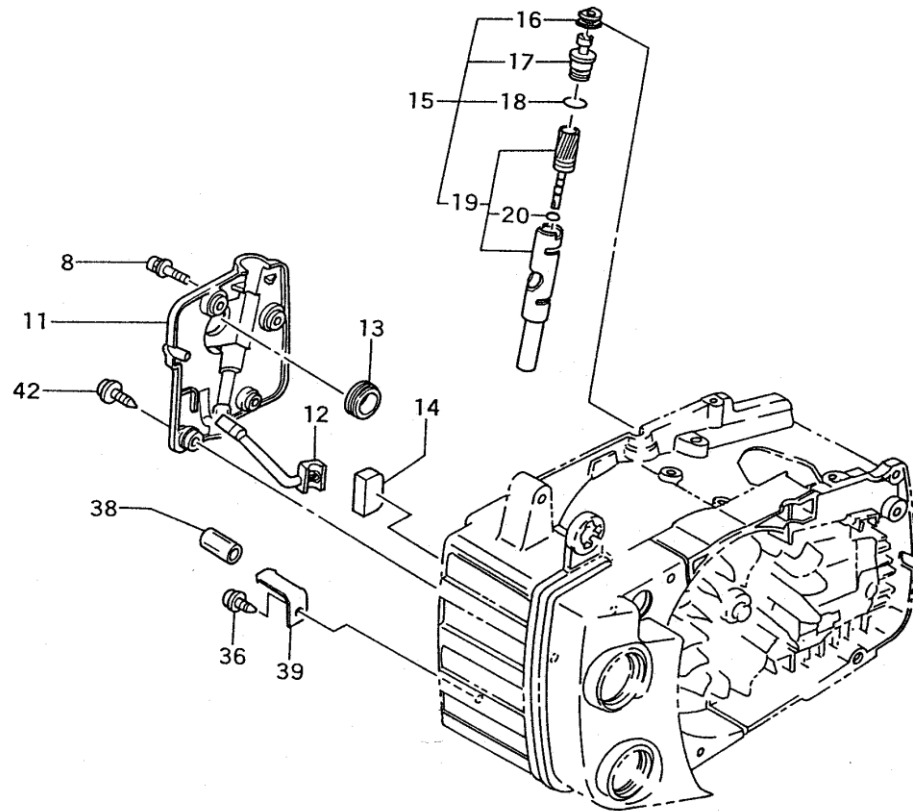


REF. NUMBER	PARTS NUMBER	PARTS DESCRIPTION	Q'TY	SERIAL NUMBER
000	756-0175D-90	S-STARTER ASS'Y	1	
001	839-03045-20	SET SCREW	1	
002	758-01761-20	DUMPER SPRING	1	
003	774-01761-20	STARTER PULLY	1	
004	783-01761-20	ROPE	1	
005	778-01761-90	RECOIL SPRING CASE ASS'Y	1	
007	785-01761-20	STARTER HANDLE	1	
008	157-32970-20	INTAKE CHANGE LEVER	1	
009	112-0175D-80	FAN CASE (S-START)	1	
010	990-72045-204	TAPPING SCREW 4.5X20	4	
011	129-01750-20	SEAL COVER	1	
012	145-01750-20	AIR DEFLECTOR	1	
014	759-0174M-20	CAM PLATE	1	
015	795-04063-20	ROPE STOPPER	1	
016	990-73045-144	TAPPING SCREW 4.5X14	1	

**C08-07 CS30EH (S) CARBURETOR**



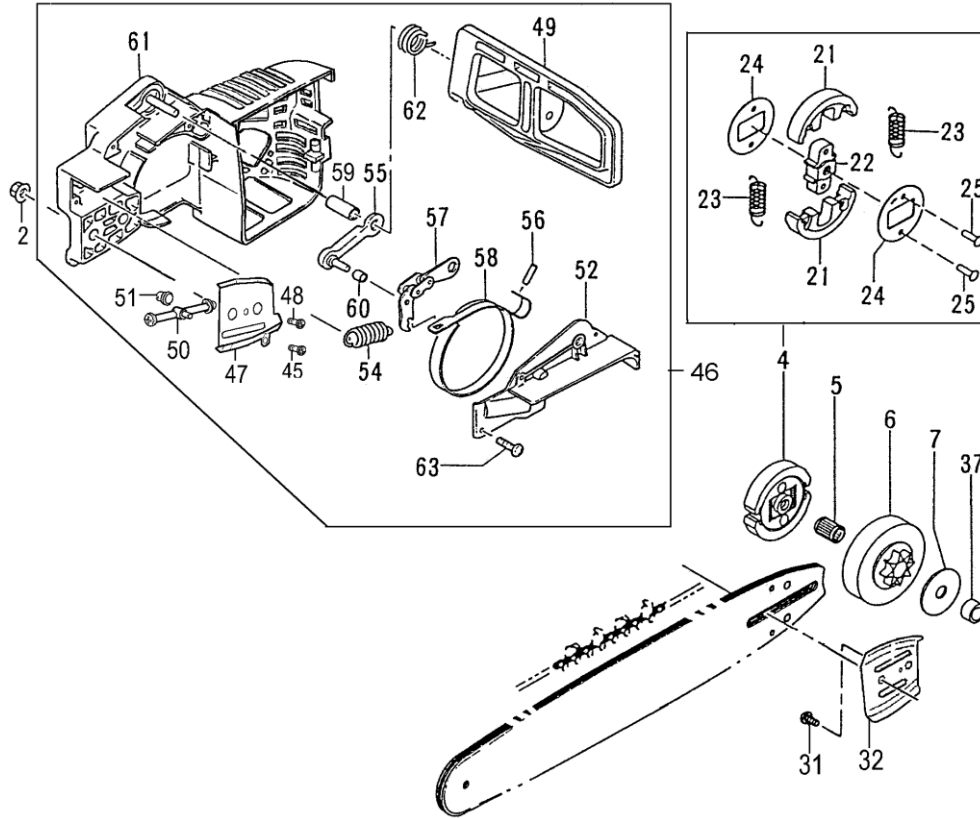
REF. NUMBER	PARTS NUMBER	PARTS DESCRIPTION	Q'TY	SERIAL NUMBER
000	455-25302-90	CARBURETOR ASS'Y WT551	1	
002	578-25007-20	INLET SCREEN	1	
003	575-25028-20	PUMP BODY	1	
004	514-25001-20	SET SCREW	1	
005	577-25007-20	PUMP GASKET	1	
006	576-25006-20	PUMP DIAPHRAGM	1	
007	461-25301-20	LOW ADJUST SCREW	1	
008	623-25032-20	HIGH/LOW ADJUST SPRING	1	
009	473-25001-20	VALVE HINGE	1	
010	546-25001-20	HINGE PIN SET SCREW	1	
011	477-25080-20	VALVE SPRING	1	
012	605-25001-20	HINGE PIN	1	
013	476-25004-20	DIAPHRAGM COVER	1	
014	474-25001-80	METERING DIAPHRAGM CO	1	
015	475-25038-20	DIAPHRAGM GASKET	1	
016	603-25012-20	NEEDLE VALVE	# 1	
021	463-25006-20	IDLE ADJUST SPRING	1	
022	462-25016-20	IDLE ADJUST SCREW	1	
023	460-25301-20	HIGH ADJUST SCREW	1	
024	485-25040-20	HIGH ADJUSTMENT SPRING	1	
025	548-25012-20	SET SCREW	4	

**C08-08****CS30EH (S) OIL PUMP**

REF. NUMBER	PARTS DESCRIPTION	Q'TY	SERIAL NUMBER
008	SCREW 5X14/WS	2	994-16050-141
011	OIL PUMP COVER	1	097-32970-20
012	OIL PIPE A	1	515-32710-20
013	SCREW GEAR	1	084-32900-20
014	AIRVENT SPONGE	1	567-01750-20
015	OIL PUMP ASS'Y	1	144-32970-90
016	OIL ADJUST GROMMET	1	488-32970-20
017	OIL PUMP ADJUSTER	1	501-32710-21
018	O-RING P-6	1	999-67006-000
019	OIL PUMP CASE SET, SPARE	1	088-3277A-91
020	O-RING P-6	1	999-67006-000
036	TAPPING SCREW 5X14	1	990-72050-144
038	VINYL PIPE 7X10.5X20	1	700-07105-02
039	CHAIN CATCHER	1	125-32710-20
042	TAPPING SCREW 4.5X14	2	990-75045-144

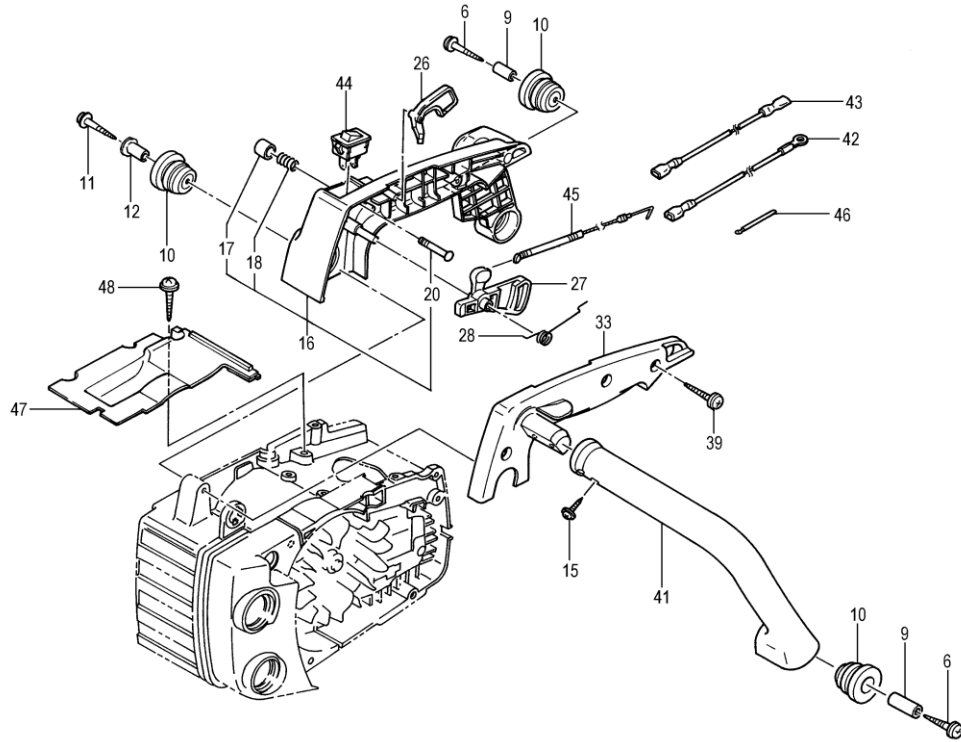
**C08-09**

**CS30EH (S) CLUTCH/CHAIN BRAKE**



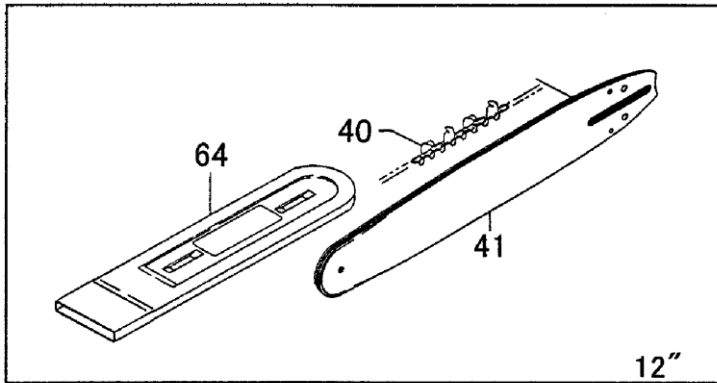
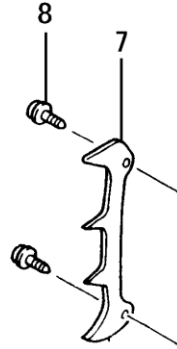
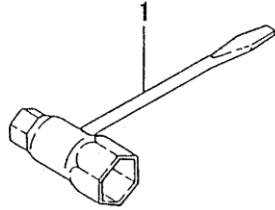
REF. NUMBER	PARTS DESCRIPTION	Q'TY	SERIAL NUMBER
002	CHAIN BAR CLAMP NUT	2	121-3253020
004	CLUTCH COMP.	1	287-01700-81
005	NEEDLE BRG 101310 1.5X7.5	1	999-62101-301
006	CLUTCH HOUSING	1	310-32710-20
007	CLUTCH WASHER	1	358-04050-20
021	CLUTCH SHOE	2	345-01700-20
022	CLUTCH BOSS	1	346-01700-20
023	CLUTCH SPRING	2	342-01700-20
024	CLUTCH PLATE A	2	348-01700-21
025	RIVET 4X14	2	992-74004-143
031	SCREW 4X10	1	993-41040-101
032	GUIDE PLATE A	1	461-32908-20
037	CRANKSHAFT COLLAR 7.7	1	511-32900-20
045	SCREW 4X10	1	993-41040-101
046	SIDE CASE ASSAY	1	040-32970-91
047	GUIDE PLATE B	1	462-32911-21
048	SCREW 2.6X5	1	993-30026-050
049	BRAKE HANDLE, BLACK	1	365-32911-80
050	TENSIONER BOLT COMP.	1	116-32911-80
051	GEAR A	1	301-72000-20
052	BRAKE LINK COVER, BLACK	1	375-32900-21
054	BRAKE SPRING	1	374-32970-20
055	BRAKE LINK SUPPORT COM	1	386-32901-80
056	NEEDLE ROLLER 3X9.8	1	999-05300-980
057	BRAKE LINK COMP.	1	379-32901-80
058	BRAKE BAND	1	378-3291R-20
059	CLEANER FIXING COLLAR	1	470-10246-20
060	COLLAR 7	1	031-32901-20
061	SIDE CASE COVER	1	039-32970-81
062	BLAKE LEVER SPRING	1	388-32900-20
063	HI-LO SCREW 4X15	3	993-41040-151

**C08-10 CS30EH (S) HANDLE**



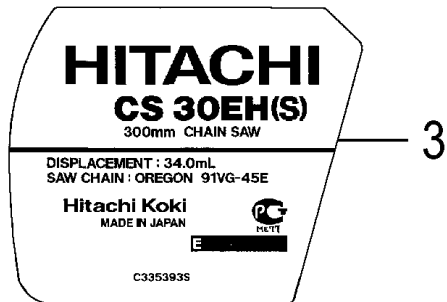
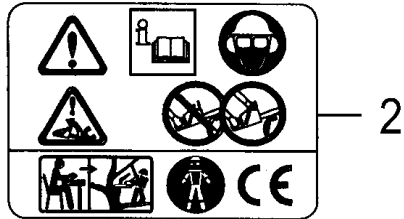
REF. NUMBER	PARTS DESCRIPTION	Q'TY	SERIAL NUMBER
006	TAPPING SCREW 5X35	2	190-73050-35
009	CLEANER FIXING COLLAR	2	470-10246-20
010	DAMPER COMP.	3	244-32970-80
011	TAPPING SCREW 5X40	1	190-73050-40
012	DAMPER COLLAR A	1	275-32970-20
015	TAPPING SCREW 5X16	2	190-73050-16
016	REAR HANDLE B	1	011-32970-80
017	PUSH PIN CAP	1	725-32161-20
018	STOPPER SPRING	1	066-32300-20
020	PUSH PIN	1	064-32530-20
026	SAFETY LEVER	1	257-32910-20
027	THROTTLE LEVER	1	060-32970-20
028	THROTTLE LEVER SPRING	1	061-32710-20
033	REAR HANDLE	1	010-32970-20
039	HI-LO SCREW 4X15	3	193-41040-15
041	FRONT HANDLE	1	209-32970-20
042	CORD W 180M	1	274-01750-80
043	CORD 325L	1	178-01751-80
044	STOP SWITCH COMP.	1	170-04063-80
045	THROTTLE WIRE COMP.	1	385-01750-80
046	CORD CLAMP COMP.	1	198-11600-80
047	ENGINE CASE COVER	1	563-32970-20
048	TAPPING SCREW 4.5X14	2	190-73045-14

**C08-11 CS30EH (S) COVER/CHAIN/CHAIN BAR**



REF. NUMBER	PARTS NUMBER	PARTS DESCRIPTION	Q'TY	SERIAL NUMBER
001	013-29323-50	COMBI. BOX SPANNER 10X1	1	013-29323-50
007	460-32970-20	SPIKE	1	460-32970-20
008	990-72050-144	TAPPING SCREW 5X14	2	990-72050-144
040	128-32911-20	CHAIN 12 X3/8 ,	1	128-32911-20
041	109-72900-20	CHAIN BAR 12 3/8	1	109-72900-20
064	943-32713-20	CHAIN COVER 12	1	943-32713-20

**C08-12 CS30EH (S) DECALS**



REF. NUMBER	PARTS NUMBER	PARTS DESCRIPTION	Q'TY	SERIAL NUMBER
001	906-72103-20	NAME PLATE CS30EH	1	
002	909-72101-20	CAUTION MARK	1	
003	915-72103-20	STARTER MARK CS30EH	1	