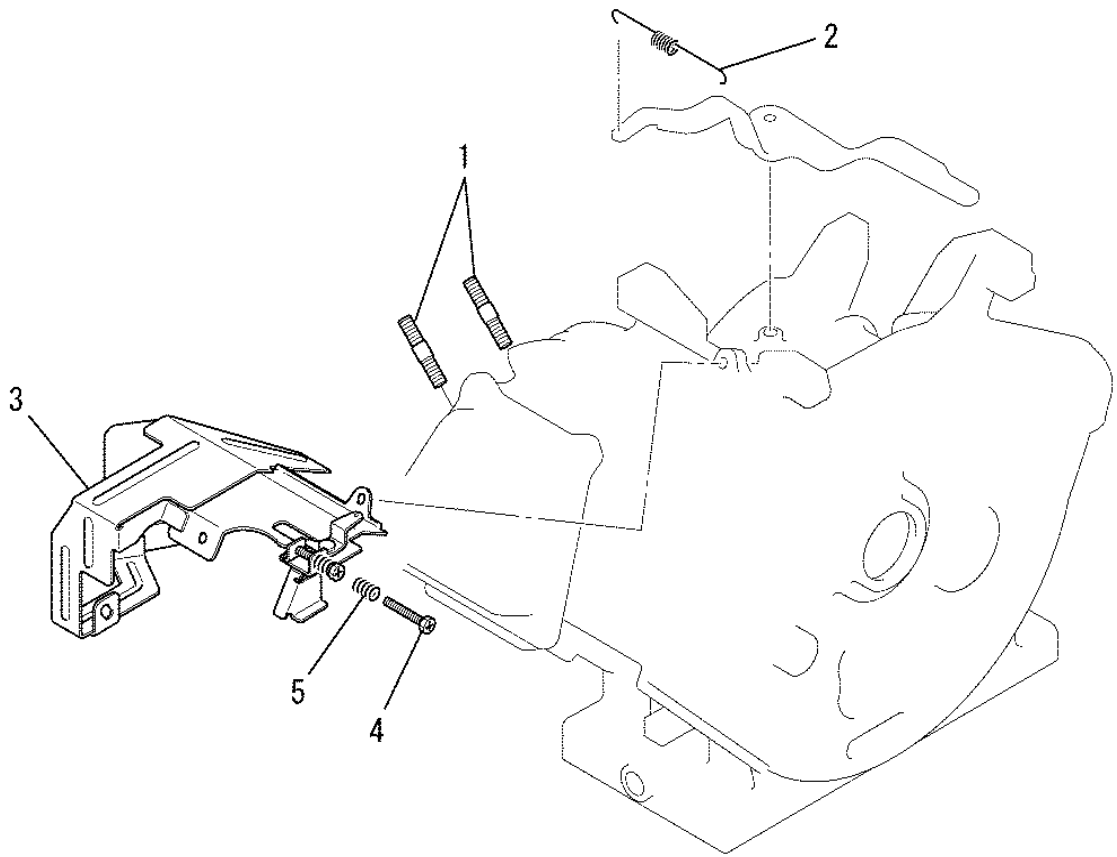
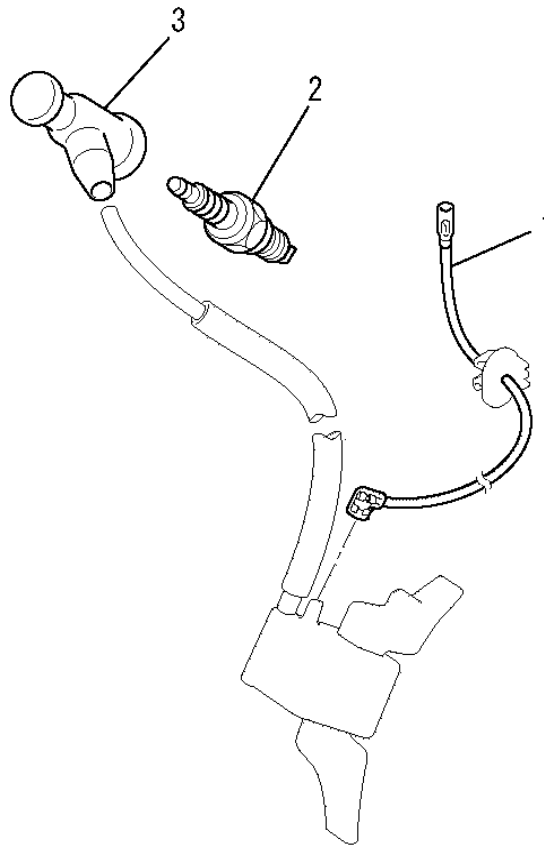


1. BOLT, SPRING, COVER



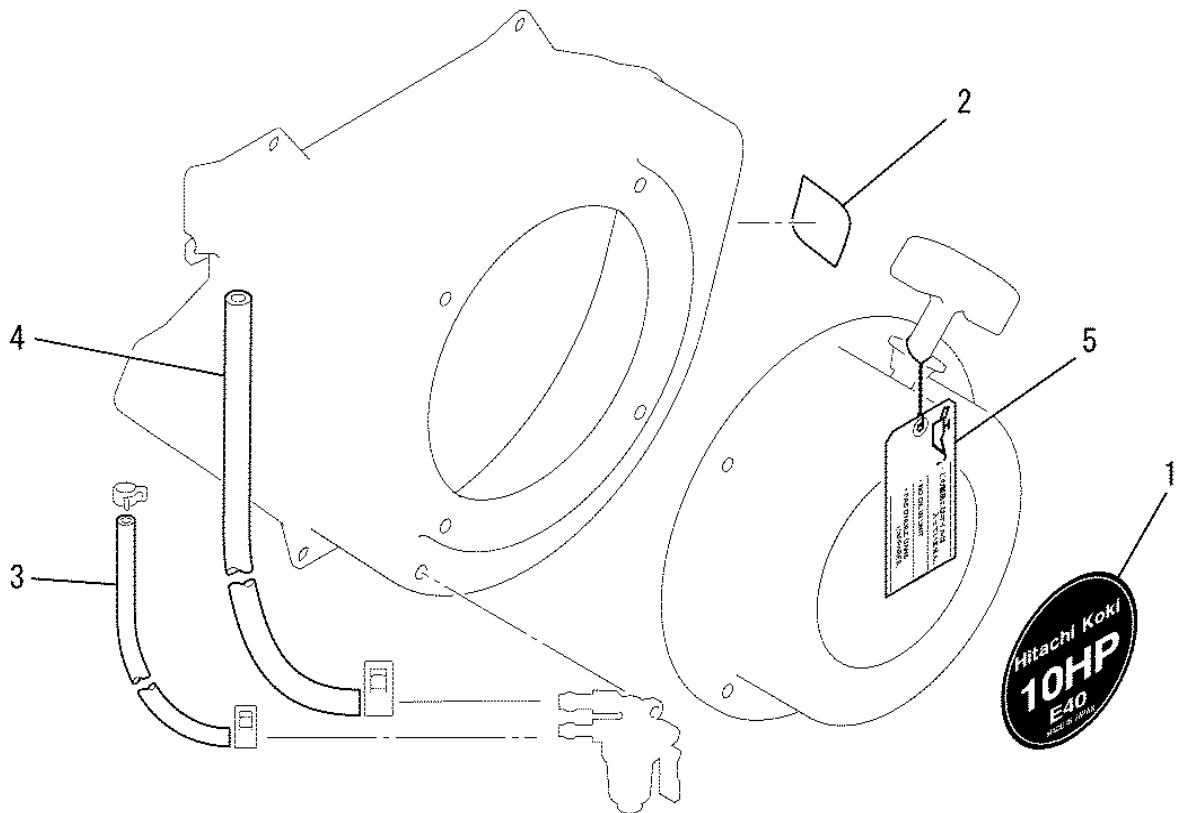
| No. | R/N | Parts No. | Parts Name | No. Req'd | Inte | Remarks | Serial No. (From~To) |
|-----|-----|-------------|-------------|-----------|------|----------------|----------------------|
| 1 | | B155B08X020 | BOLT, STUD | 2 | | | |
| 2 | | KG34017EA | SPRING, GOV | 1 | | | |
| 3 | | KH40050AA | COVER, TOP | 1 | | INCL. NO. 4, 5 | |
| 4 | | KU14032AA | BOLT | 1 | | | |
| 5 | | KU80017AA | SPRING | 1 | | | |

2. LEAD WIRE, PLUG, CAP



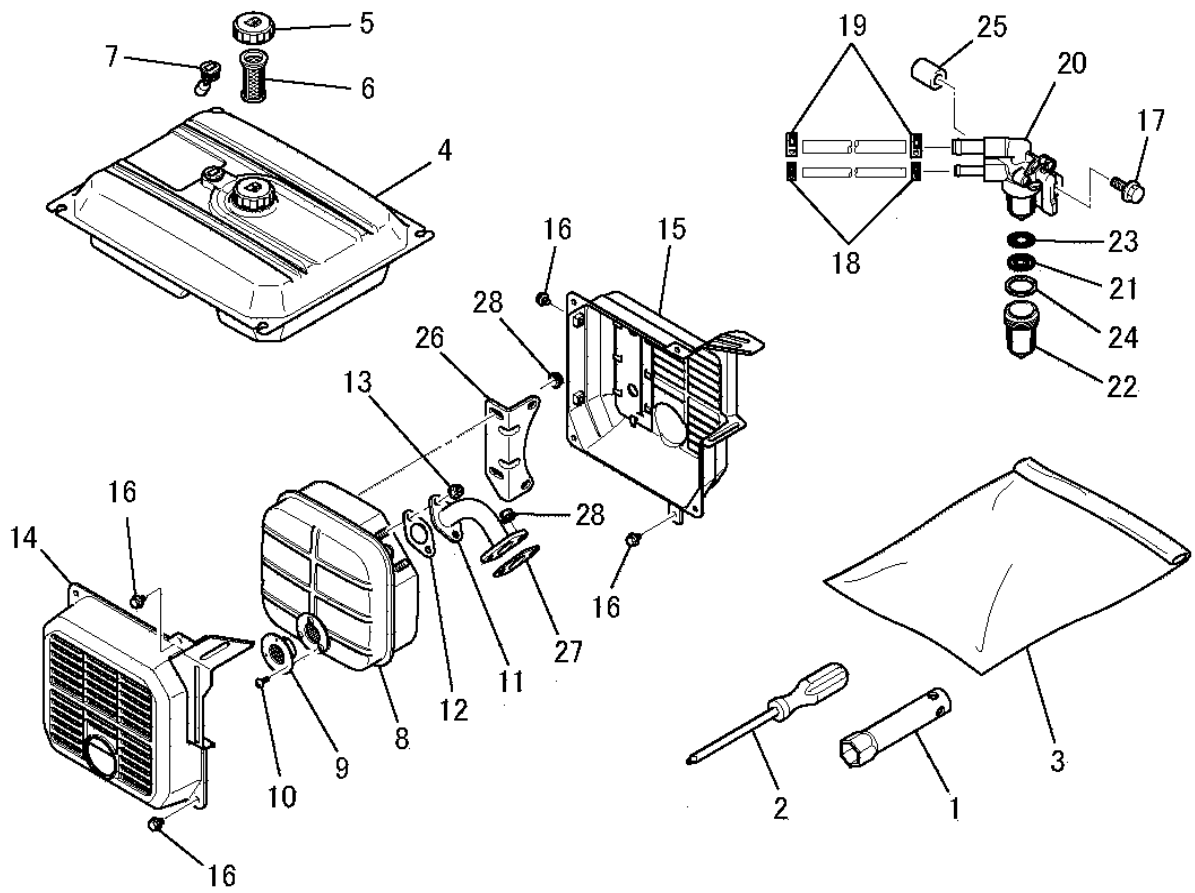
| No. | R/N | Parts No. | Parts Name | No. Req'd | Inte | Remarks | Serial No. (From~To) |
|-----|-----|-----------|-------------|-----------|------|---------|----------------------|
| 1 | | KE90057AA | WIRE, LEAD | 1 | | | |
| 2 | | KE41005AA | PLUG, SPARK | 1 | | BPR5ES | |
| 3 | | KE42024AA | CAP, PLUG | 1 | | | |

3. LABEL, FUEL HOSE



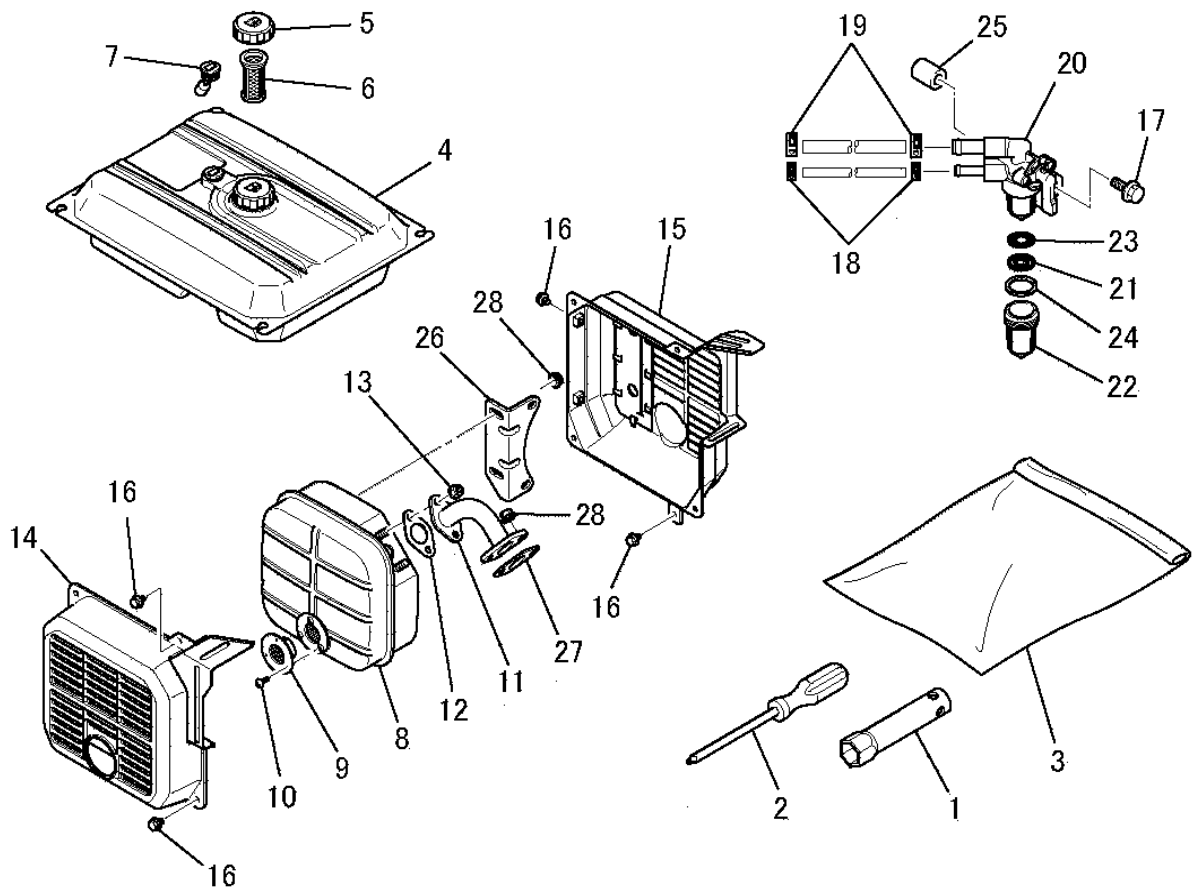
| No. | R/N | Parts No. | Parts Name | No. Req'd | Inte | Remarks | Serial No. (From~To) |
|-----|-----|--------------|------------------|-----------|------|---------|----------------------|
| 1 | | KW52185EA | LABEL, NAME | 1 | | | |
| 2 | | KW56282EA | LABEL | 1 | | | |
| 3 | | P051Y04X220 | HOSE, FUEL | 1 | | | |
| 4 | | P051Y08X470 | HOSE, FUEL | 1 | | | |
| 5 | | KYT020001580 | MG LABEL, NO-OIL | 1 | | | |

4. TOOL SET



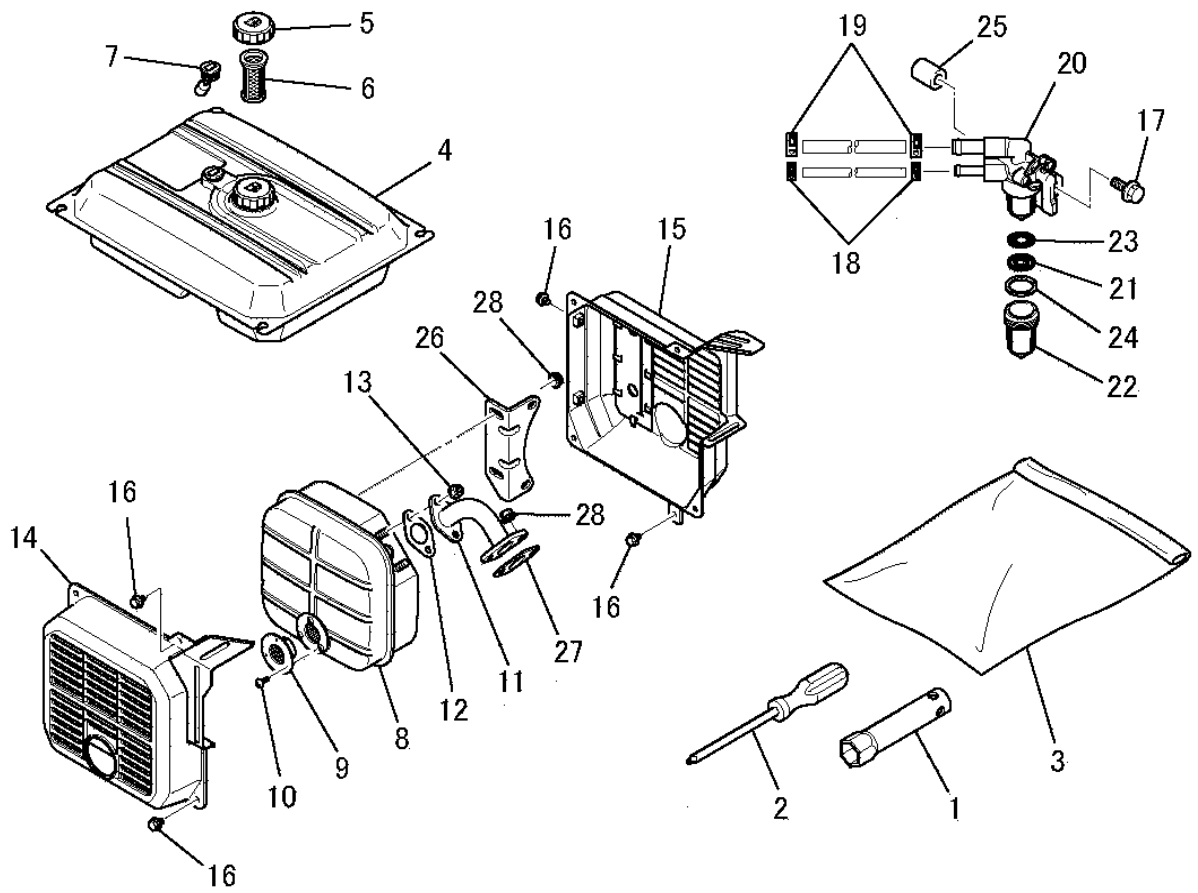
| No. | R/N | Parts No. | Parts Name | No. Req'd | Inte | Remarks | Serial No. (From~To) |
|-----|-----|--------------|-----------------|-----------|------|-----------------|----------------------|
| 1 | | KN12004CA | SPANNER, BOX | 1 | | | |
| 2 | | KN13001AA | DRIVER, SCREW | 1 | | | |
| 3 | | FA21533D | BAG, TOOL | 1 | | | |
| 4 | | KF04093AH | FUEL TANK ASSY | 1 | | INCL. NO. 5-7 | |
| 5 | | KF05010CA | TANK CAP ASSY | 1 | | | |
| 6 | | KF40003AA | FILTER, FUEL | 1 | | | |
| 7 | | KF90080DA | GAUGE, OIL | 1 | | | |
| 8 | | KM17024AA | MUFFLER | 1 | | INCL. NO. 9, 10 | |
| 9 | | KM17024AA015 | SCREEN | 1 | | | |
| 10 | | W006D04X008K | SCREW | 3 | | | |
| 11 | | KM30006AA | PIPE, EXHAUST | 1 | | | |
| 12 | | KM70032AB | GASKET, MUFFLER | 1 | | | |

4. TOOL SET



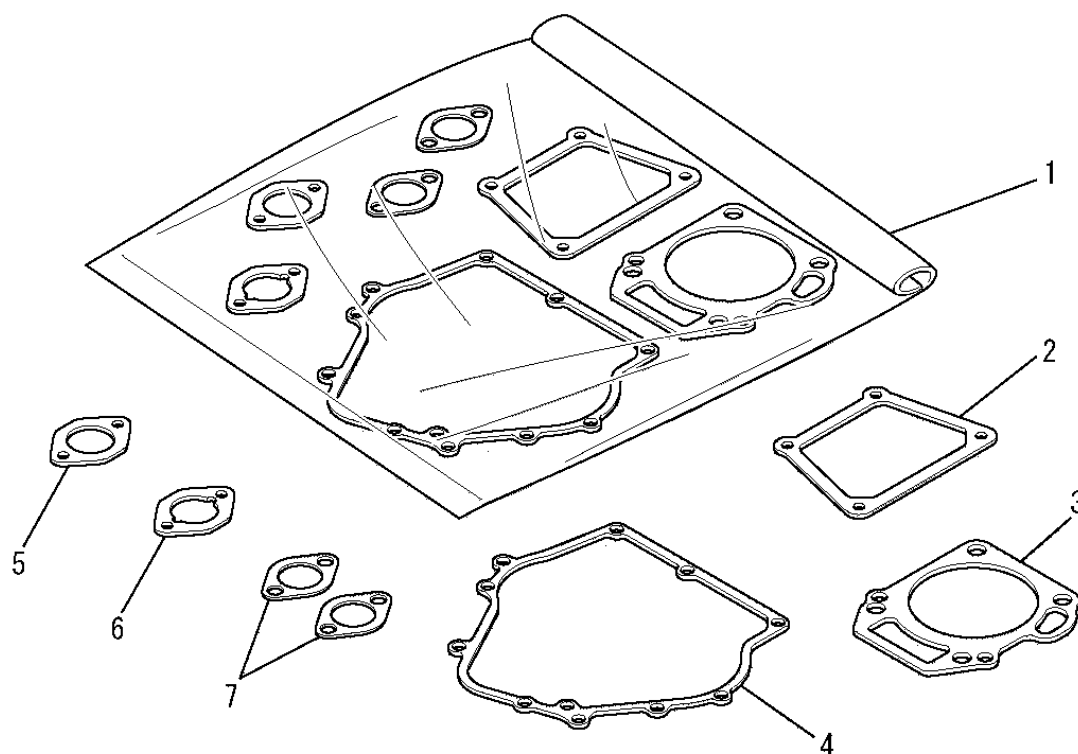
| No. | R/N | Parts No. | Parts Name | No. Req'd | Inte | Remarks | Serial No. (From~To) |
|-----|-----|--------------|------------------|-----------|------|-----------------|----------------------|
| 13 | | ZZ70028C | NUT, CONICAL SPG | 2 | | | |
| 14 | | KM27043AA | COVER, MUFFLER | 1 | | | |
| 15 | | KM27044AA | COVER, MUFFLER | 1 | | | |
| 16 | | B800A06X008K | BOLT, FLANGE | 7 | | | |
| 17 | | B800A06X025 | BOLT, FLANGE | 1 | | | |
| 18 | | FR53226 | CLIP | 2 | | | |
| 19 | | FR67419 | CLIP | 2 | | | |
| 20 | | KF31036AA | COCK, FUEL | 1 | | INCL. NO. 21-24 | |
| 21 | | KF31035AA012 | PACKING | 1 | | | |
| 22 | | KF31036AA106 | CUP | 1 | | | |
| 23 | | KF31035AA003 | FILTER, FUEL | 1 | | | |
| 24 | | KF31035AA102 | PACKING | 1 | | | |

4. TOOL SET



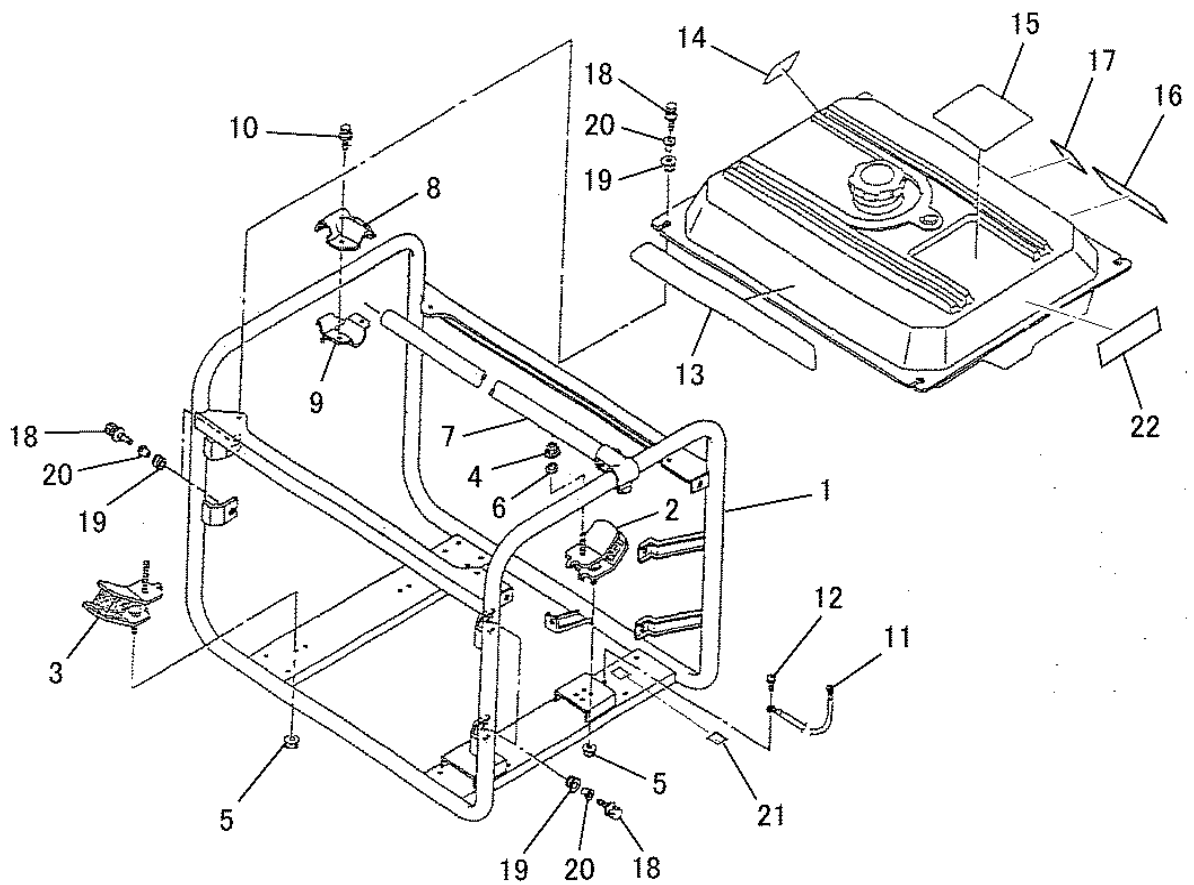
| No. | R/N | Parts No. | Parts Name | No. Req'd | Inte | Remarks | Serial No. (From~To) |
|-----|-----|-----------|------------------|-----------|------|---------|----------------------|
| 25 | | KF90105AA | SPACER | 1 | | | |
| 26 | | KM60014AA | BRACKET, MUFFLER | 1 | | | |
| 27 | | KM70032AB | GASKET, MUFFLER | 1 | | | |
| 28 | | ZZ70028C | NUT, CONICAL SPG | 4 | | | |

5. GASKET SET



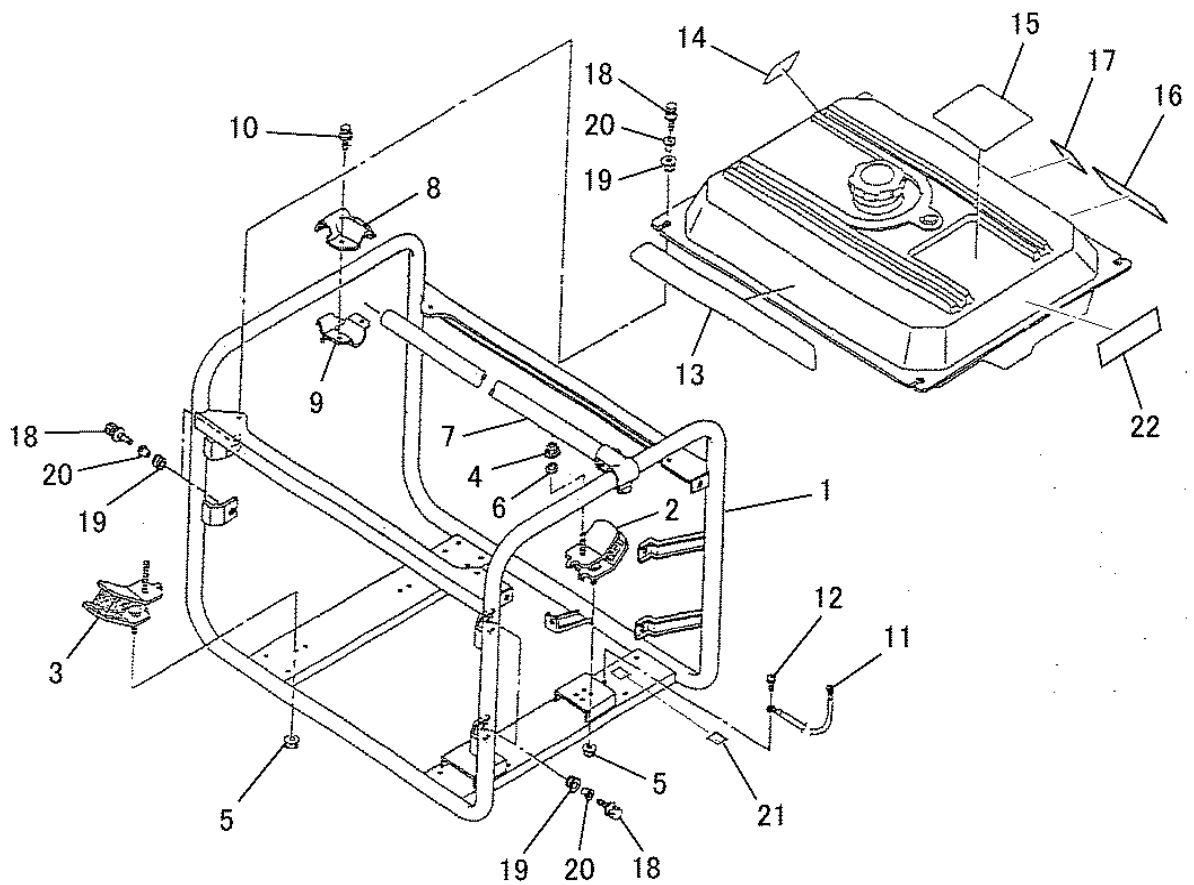
| No. | R/N | Parts No. | Parts Name | No. Req'd | Inte | Remarks | Serial No. (From~To) |
|-----|-----|-----------|--------------------|-----------|------|---------------|----------------------|
| 1 | | KW39058CA | GASKET SET | 1 | | INCL. NO. 2-7 | |
| 2 | | KW33002AA | GASKET, HEAD COVER | 1 | | | |
| 3 | | KC66009AA | GASKET, HEAD | 1 | | | |
| 4 | | KW31007AA | GASKET, CRANKCASE | 1 | | | |
| 5 | | KW34001AA | GASKET, CARBURETOR | 1 | | | |
| 6 | | KW34005AA | GASKET, CARBURETOR | 1 | | | |
| 7 | | KM70032AB | GASKET, MUFFLER | 2 | | | |

6. FRAME & TANK



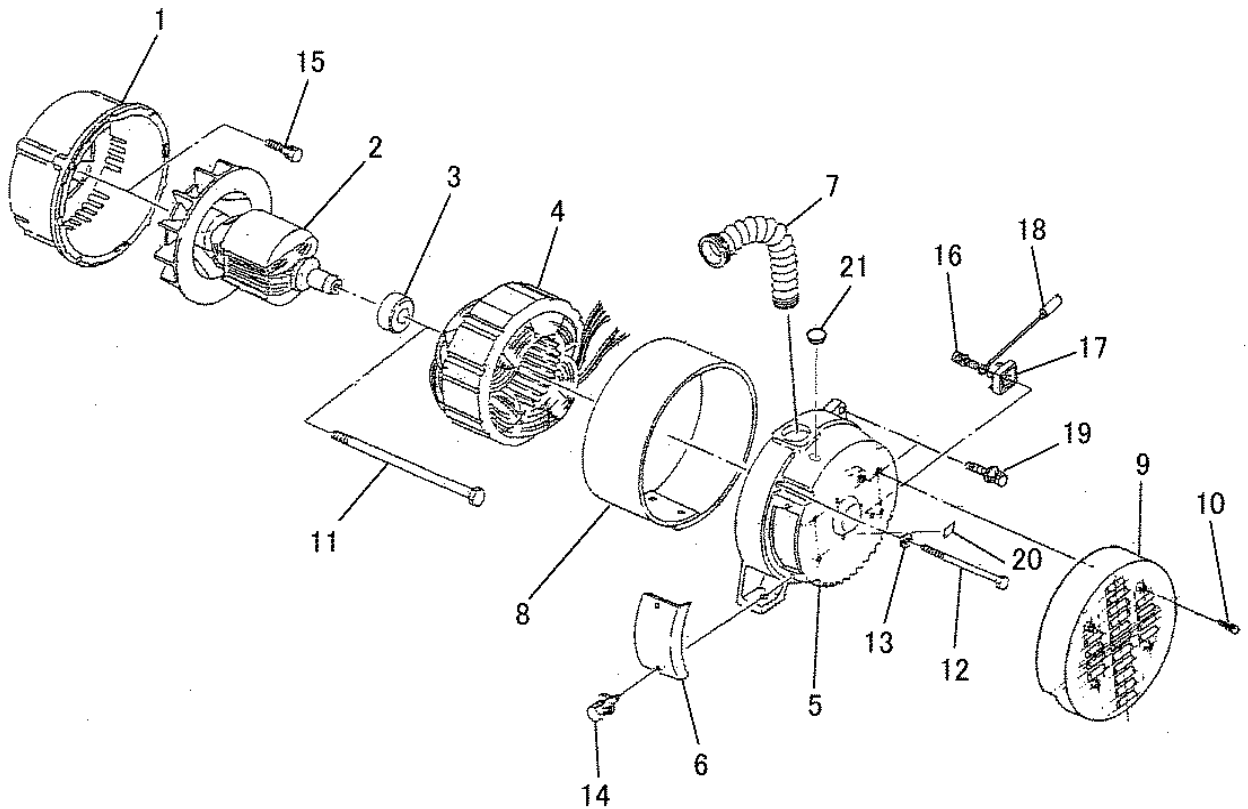
| No. | R/N | Parts No. | Parts Name | No. Req'd | Inte | Remarks | Serial No. (From~To) |
|-----|-----|--------------|--------------------|-----------|------|---------|----------------------|
| 1 | | KYF011003597 | MG PIPE FRAME UN | 1 | | | |
| 2 | | KYG060000842 | MG RUBBER MOUNT UN | 2 | | | |
| 3 | | KYG060000871 | MG RUBBER MOUNT UN | 2 | | | |
| 4 | | KY0022010000 | NUT, FLANGE | 4 | | | |
| 5 | | KY0022008000 | NUT, FLANGE | 4 | | | |
| 6 | | KY0030010000 | WASHER | 1 | | | |
| 7 | | KYF272000021 | MG FRAM, PIPE | 2 | | | |
| 8 | | KYF052000020 | CLAMP | 4 | | | |
| 9 | | KYF052000030 | CLAMP | 4 | | | |
| 10 | | KY0013006020 | MG BOLT | 8 | | | |
| 11 | | KYF070000240 | MG EARTH WIRE | 1 | | | |
| 12 | | KY0011305008 | SCREW&WASHER | 1 | | | |

6. FRAME & TANK



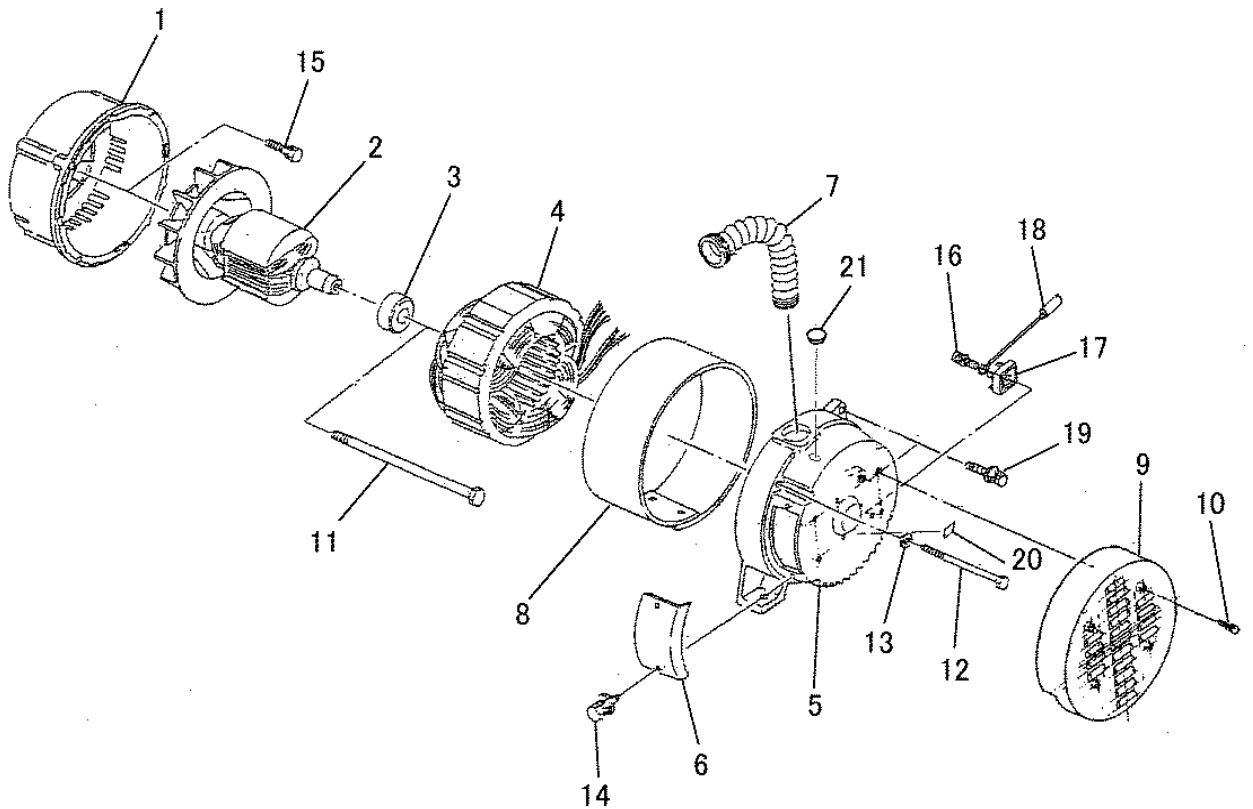
| No. | R/N | Parts No. | Parts Name | No. Req'd | Inte | Remarks | Serial No. (From~To) |
|-----|-----|--------------|----------------------|-----------|------|---------|----------------------|
| 13 | | KYC011402230 | MG LABEL (BRAND) | 1 | | | |
| 14 | | KYC081000450 | LABEL | 1 | | | |
| 15 | | KYT020002690 | MG LABEL | 1 | | | |
| 16 | | KYT020002060 | MG LABEL | 1 | | | |
| 17 | | KYB13MX00630 | MG LABEL, NOISE | 1 | | | |
| 18 | | KY0012906020 | MG BOLT, FLANGE | 8 | | | |
| 19 | | KU50018AA | BUSH | 8 | | | |
| 20 | | KU50019AA | SPACER | 8 | | | |
| 21 | | KYC011700081 | MG LABEL, EARTH MARK | 1 | | | |
| 22 | | KYB12M230730 | MG LABEL (SPEC) | 1 | | | |

7. GRNERATOR



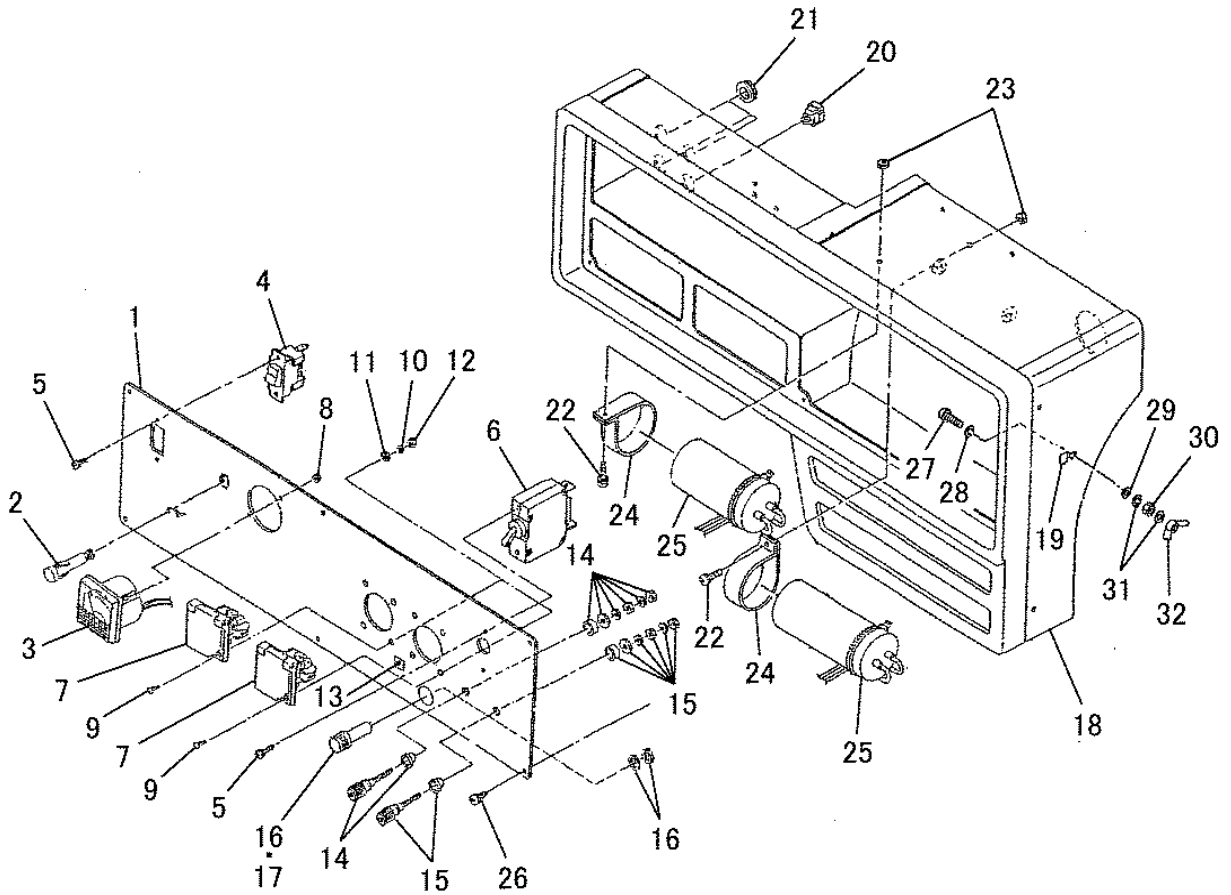
| No. | R/N | Parts No. | Parts Name | No. Req'd | Inte | Remarks | Serial No. (From~To) |
|-----|-----|--------------|-------------------|-----------|------|---------|----------------------|
| 1 | | KYG010000062 | MG BRACKET, FRONT | 1 | | | |
| 2 | | KYG020001831 | ROTOR | 1 | | | |
| 3 | | KY0006205ZZ0 | BEARING, BALL | 1 | | | |
| 4 | | KYG040007921 | MG STATOR CP | 1 | | | |
| 5 | | KYG080001122 | MG BRACKET, REAR | 1 | | | |
| 6 | | KYG110000020 | MG BRUSH COVER | 1 | | | |
| 7 | | KYG070000270 | MG BUSHING | 1 | | | |
| 8 | | KYG120001321 | COVER | 1 | | | |
| 9 | | KYG140000120 | MG COVER | 1 | | | |
| 10 | | KY0013005020 | MG BOLT, FLANGE | 4 | | | |
| 11 | | KY0013510240 | BOLT | 1 | | | |
| 12 | | KY0013508150 | BOLT | 4 | | | |

7. GRNERATOR



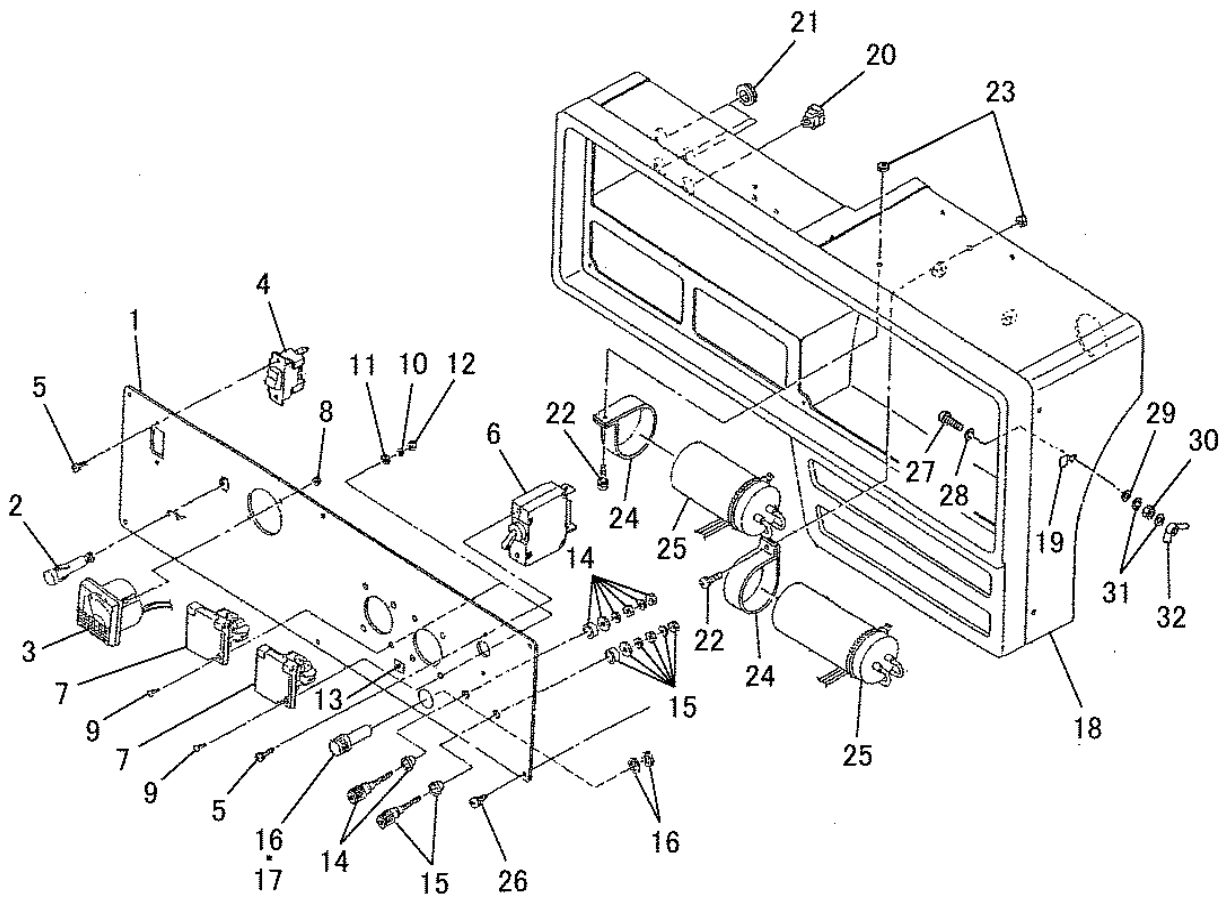
| No. | R/N | Parts No. | Parts Name | No. Req'd | Inte | Remarks | Serial No. (From~To) |
|-----|-----|--------------|----------------------|-----------|------|---------|----------------------|
| 13 | | KY0030308000 | WASHER, SPG | 4 | | | |
| 14 | | KY0013705012 | BOLT&WASHER | 2 | | | |
| 15 | | KY0013708020 | MG BOLT | 4 | | | |
| 16 | | KY0011204020 | MG SCREW | 1 | | | |
| 17 | | KY015S15VB20 | MG DIODE STAK | 1 | | | |
| 18 | | KYC190000620 | MG WIRE CP | 1 | | | |
| 19 | | KY0013708030 | MG BOLT | 2 | | | |
| 20 | | KYC011700081 | MG LABEL, EARTH MARK | 1 | | | |
| 21 | | KYC180000140 | MG GROMMET | 1 | | | |

8. CONTROL BOX



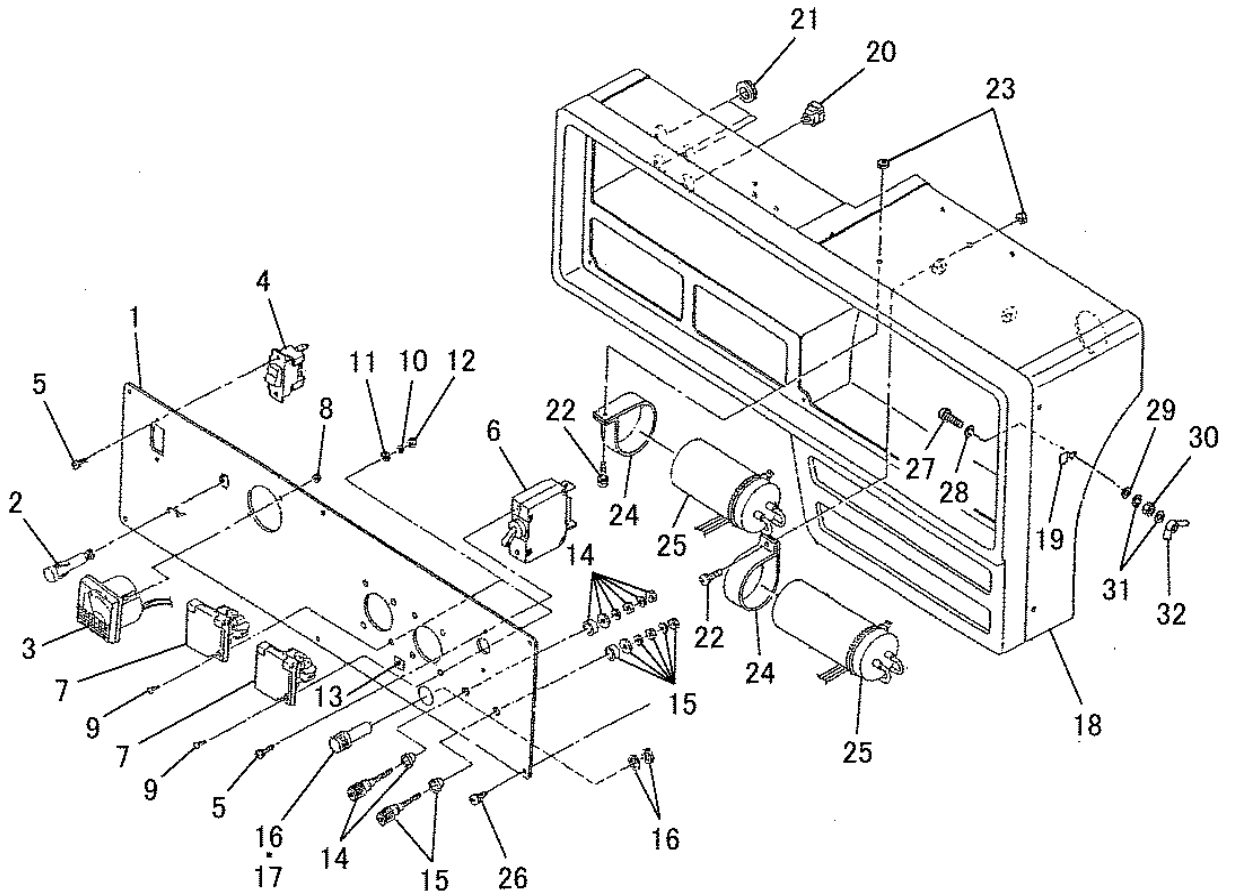
| No. | R/N | Parts No. | Parts Name | No. Req'd | Inte | Remarks | Serial No. (From~To) |
|-----|-----|--------------|-------------------|-----------|------|---------|----------------------|
| 1 | | KYC011019430 | MG PANEL A PRINT | 1 | | | |
| 2 | | KY01401220R0 | MG LAMP, PILOT | 1 | | | |
| 3 | | KY00412240A1 | MG VOLT METER | 1 | | | |
| 4 | | KY0130757010 | MG SWITCH | 1 | | | |
| 5 | | KY0013303005 | MG SCREW | 4 | | | |
| 6 | | KY0080010015 | MG BREAKER | 1 | | | |
| 7 | | KY0069210216 | MG RECEPTACLE | 2 | | | |
| 8 | | KY0021903000 | NUT | 2 | | | |
| 9 | | KY0010203015 | SCREW&WASHER | 8 | | | |
| 10 | | KY0030303000 | MG WASHER, SPRING | 8 | | | |
| 11 | | KY0030003000 | WASHER | 8 | | | |
| 12 | | KY0020003000 | NUT | 8 | | | |

8. CONTROL BOX



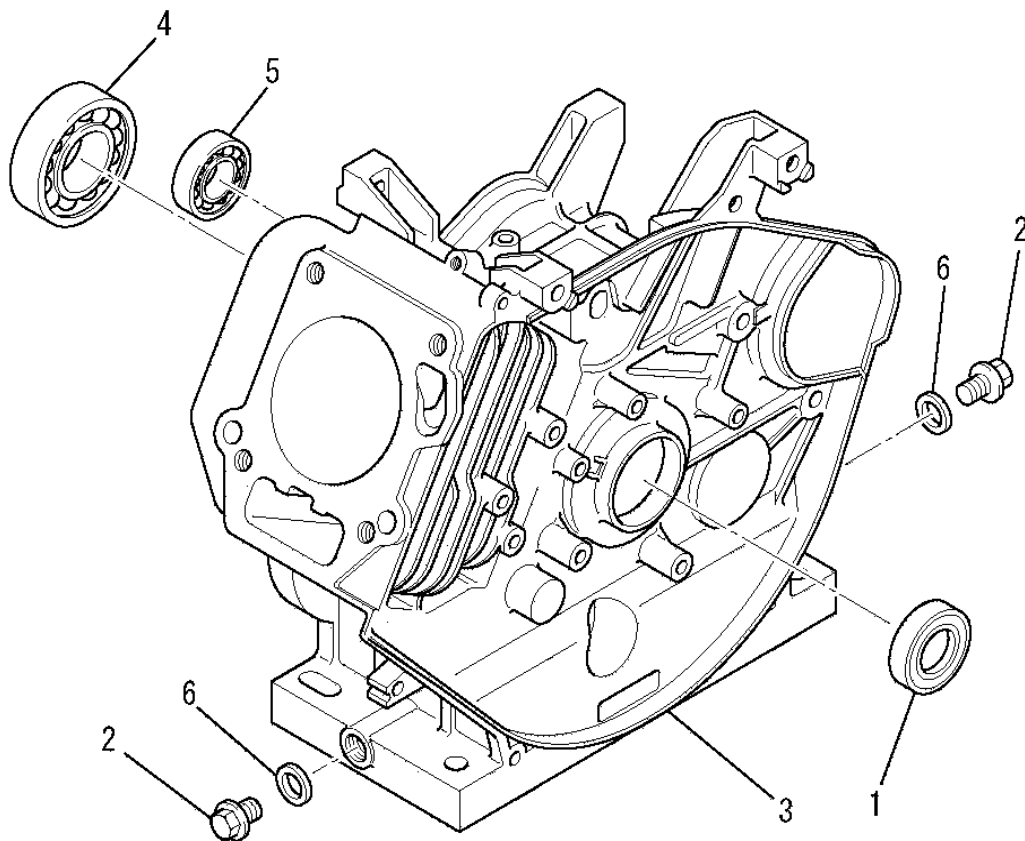
| No. | R/N | Parts No. | Parts Name | No. Req'd | Inte | Remarks | Serial No. (From~To) |
|-----|-----|--------------|----------------------|-----------|------|---------|----------------------|
| 13 | | KYT020002080 | MG LABEL | 1 | | | |
| 14 | | KY009211201R | MG TERMINAL ASSY | 1 | | | |
| 15 | | KY009211201B | MG TERMINAL ASSY | 1 | | | |
| 16 | | KY0110100010 | MG HOLDER, FUSE | 1 | | | |
| 17 | | KY0120000010 | MG FUSE | 1 | | 10A | |
| 18 | | KY90074AA | PANEL, CONTROL | 1 | | | |
| 19 | | KYC011700081 | MG LABEL, EARTH MARK | 1 | | | |
| 20 | | KY0200000000 | BUSH | 1 | | | |
| 21 | | KY0321140908 | MG GROMMET | 3 | | | |
| 22 | | KY0011204010 | SCREW&WASHER | 2 | | | |
| 23 | | KY0020004000 | MG NUT | 2 | | | |
| 24 | | KYC222000010 | MG CONDENSER BRACKET | 2 | | | |

8. CONTROL BOX



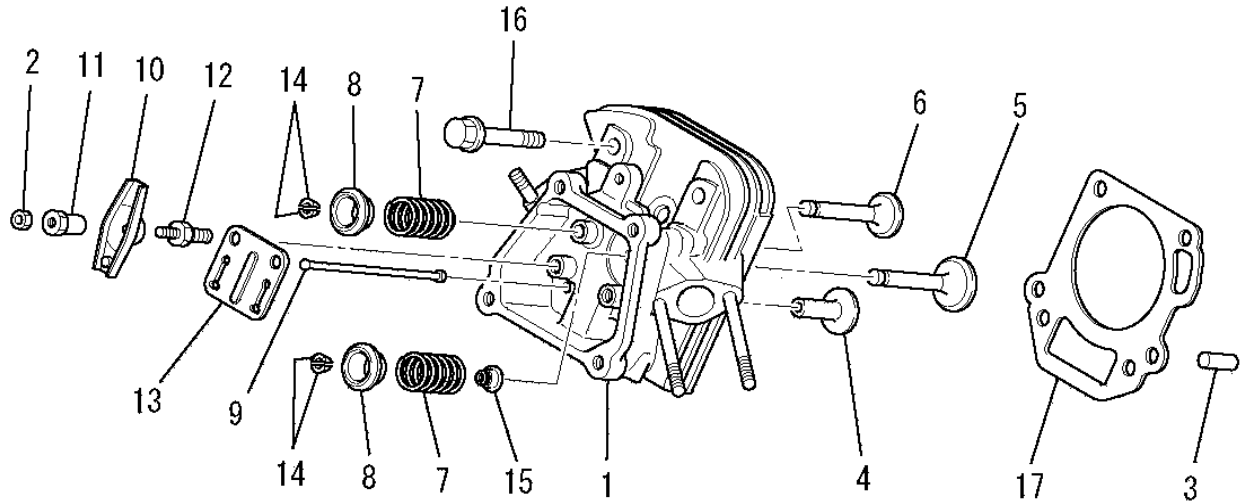
| No. | R/N | Parts No. | Parts Name | No. Req'd | Inte | Remarks | Serial No. (From~To) |
|-----|-----|--------------|----------------|-----------|------|---------|----------------------|
| 25 | | KYC220000390 | CONDENSER | 1 | | | |
| 26 | | KY0013304008 | MG SCREW | 6 | | | |
| 27 | | KY0010205020 | MG SCREW | 1 | | | |
| 28 | | KY0031205000 | MG WASHER, SPG | 1 | | | |
| 29 | | KY0030105000 | MG WASHER | 1 | | | |
| 30 | | KY0021905000 | MG NUT | 1 | | | |
| 31 | | KY0030405000 | WASHER, SPG | 2 | | | |
| 32 | | KY0021805000 | MG WING NUT | 1 | | | |

(A) CYLINDER BLOCK GROUP



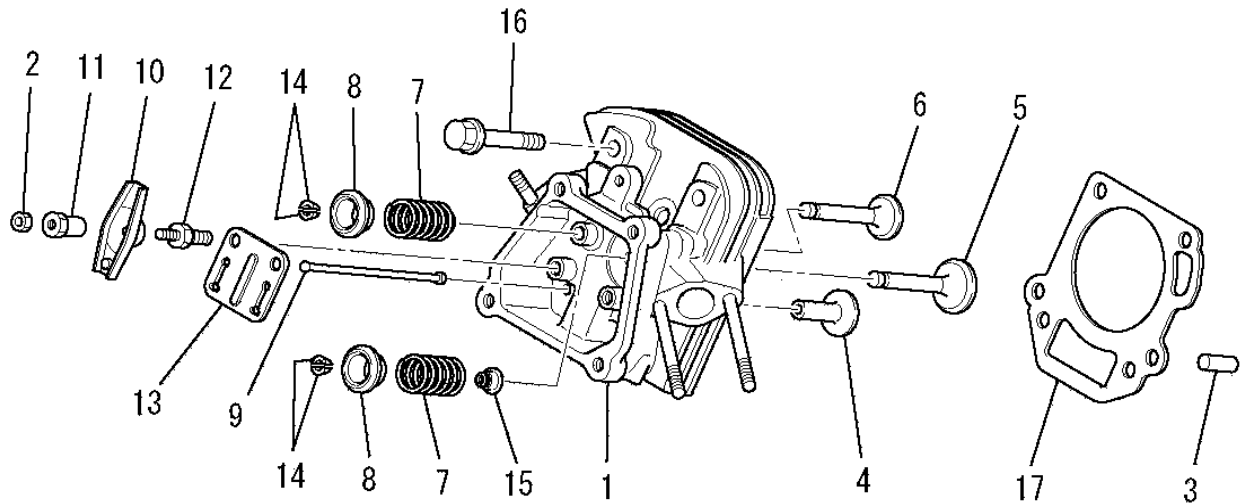
| No. | R/N | Parts No. | Parts Name | No. Req'd | Inte | Remarks | Serial No. (From~To) |
|-----|-----|-------------|----------------|-----------|------|---------|----------------------|
| 1 | | FA28011 | OIL SEAL | 1 | | | |
| 2 | | FN11223 | PLUG, DRAIN | 2 | | | |
| 3 | | KB46007CA | CYLINDER BLOCK | 1 | | | |
| 4 | | S111X62X060 | BEARING, BALL | 1 | | #6206 | |
| 5 | | S111X62X030 | BEARING, BALL | 1 | | #6203 | |
| 6 | | ZZ70013A | GASKET | 2 | | | |

(B) CYLINDER HEAD GROUP



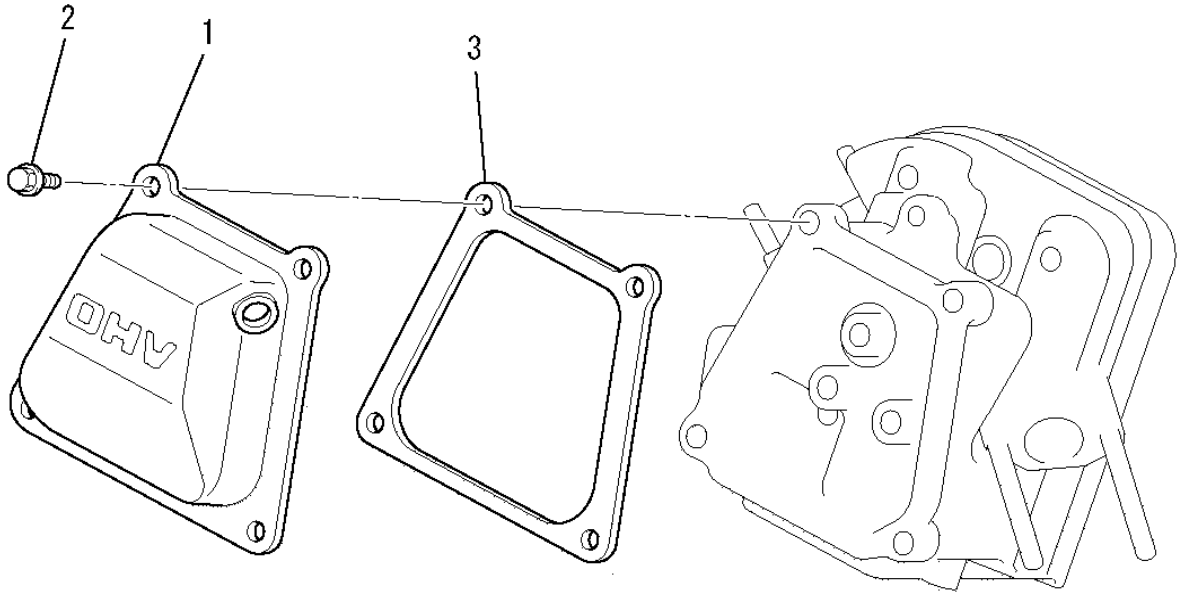
| No. | R/N | Parts No. | Parts Name | No. Req'd | Inte | Remarks | Serial No. (From~To) |
|-----|-----|-----------|---------------------|-----------|------|------------------|----------------------|
| 1 | | KC02029AA | CYLINDER HEAD ASSY | 1 | | WITH B155B06X085 | |
| 2 | | KU23009AA | NUT | 2 | | | |
| 3 | | KU44001AA | PIN, DOWEL | 2 | | | |
| 4 | | KV24003AA | TAPPET | 2 | | | |
| 5 | | KV35002BA | VALVE, INTAKE | 1 | | | |
| 6 | | KV45002AA | VALVE, EXHAUST | 1 | | | |
| 7 | | KV55006AA | SPRING, VALVE | 2 | | | |
| 8 | | KV65003AA | RETAINER, VALVE SPG | 2 | | | |
| 9 | | KV71004AA | ROD, PUSH | 2 | | | |
| 10 | | KV72003AA | ARM, ROCKER | 2 | | | |
| 11 | | KV73002AA | NUT | 2 | | | |
| 12 | | KV74002AA | BOLT | 2 | | | |

(B) CYLINDER HEAD GROUP



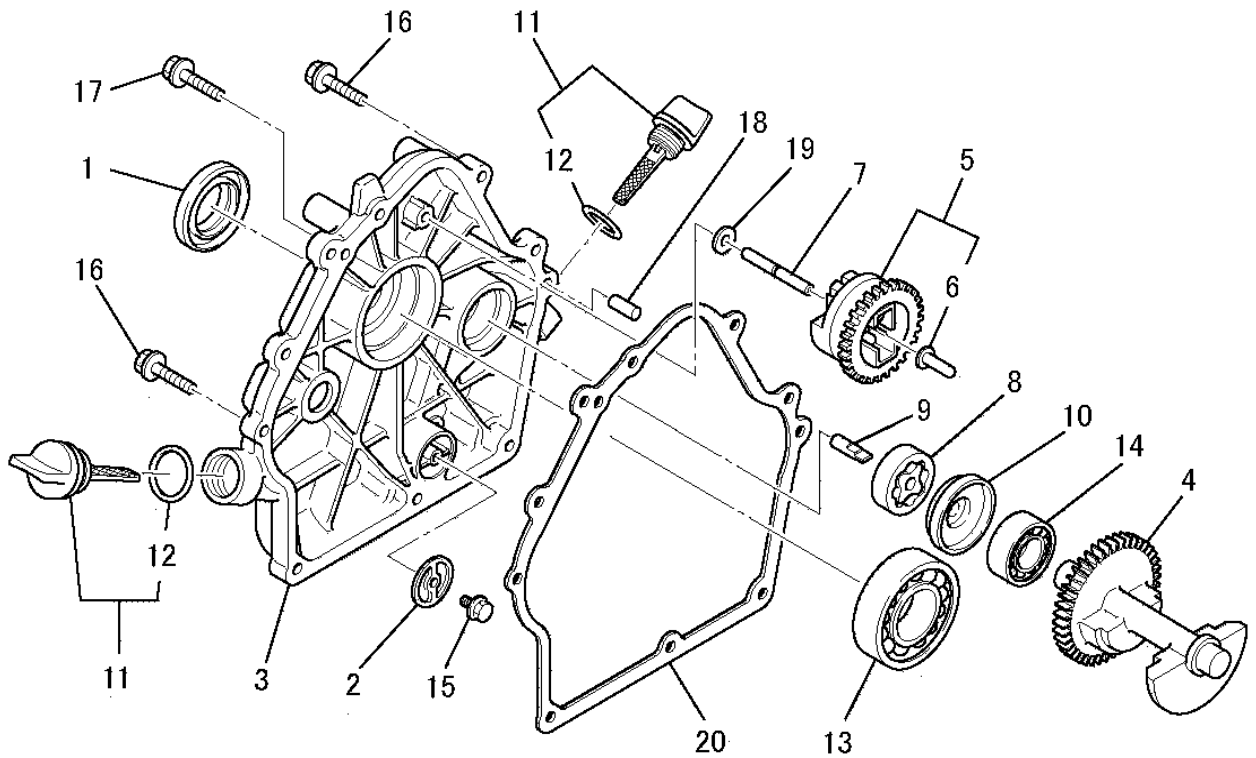
| No. | R/N | Parts No. | Parts Name | No. Req'd | Inte | Remarks | Serial No. (From~To) |
|-----|-----|-------------|------------------|-----------|------|---------|----------------------|
| 13 | | KV75006AA | PLATE | 1 | | | |
| 14 | | KV75007AA | COTTER | 4 | | | |
| 15 | | KW21019AA | SEAL, VALVE STEM | 1 | | | |
| 16 | | B800B10X065 | BOLT, FLANGE | 4 | | | |
| 17 | | KC66009AA | GASKET, HEAD | 1 | | | |

(C) HEAD COVER GROUP



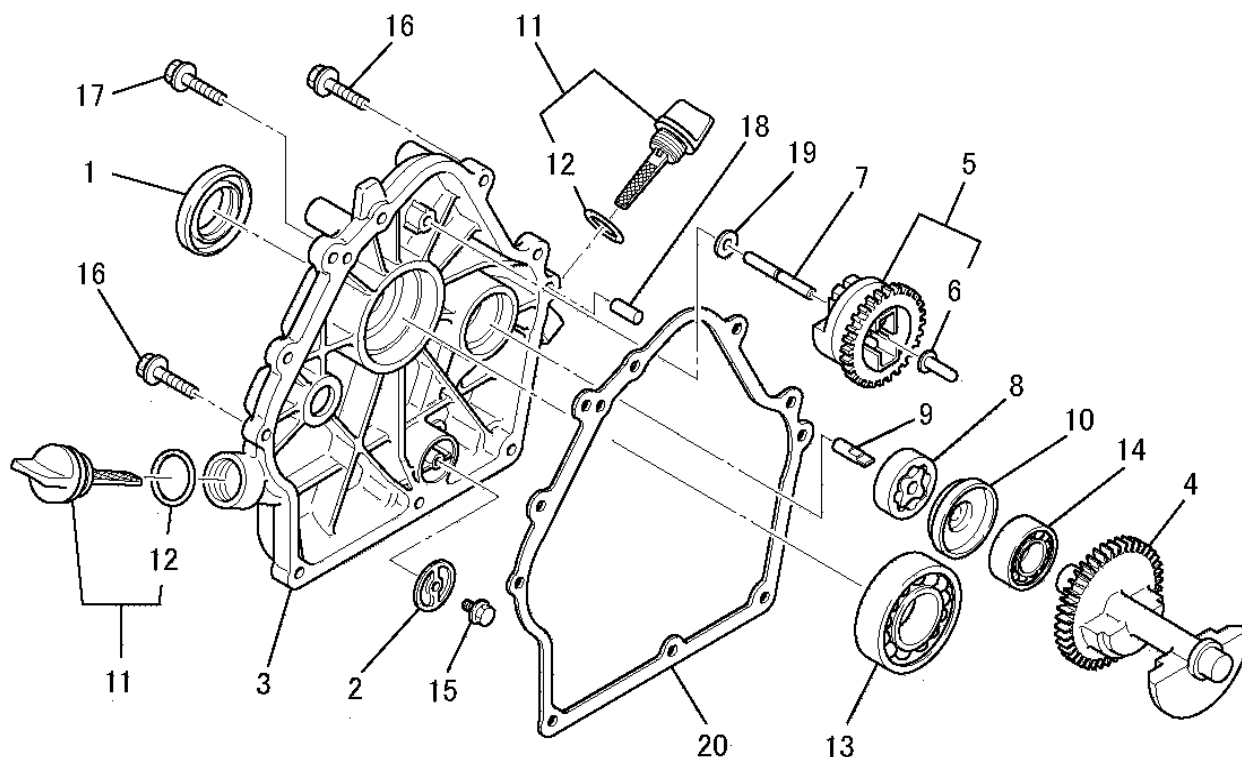
| No. | R/N | Parts No. | Parts Name | No. Req'd | Inte | Remarks | Serial No. (From~To) |
|-----|-----|-------------|--------------------|-----------|------|---------|----------------------|
| 1 | | KC09002AA | COVER, HEAD | 1 | | | |
| 2 | | B805B06X012 | BOLT, FLANGE | 4 | | | |
| 3 | | KW33002AA | GASKET, HEAD COVER | 1 | | | |

(D) CASE COVER GROUP



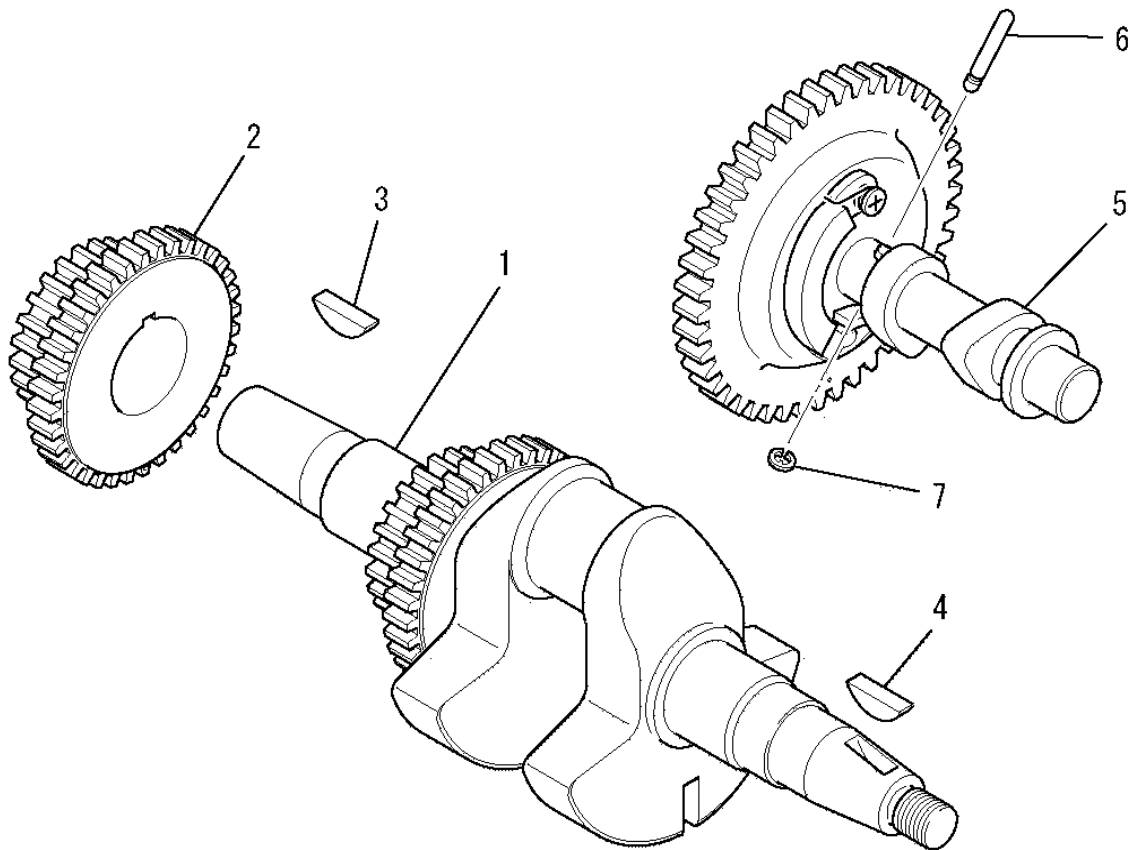
| No. | R/N | Parts No. | Parts Name | No. Req'd | Inte | Remarks | Serial No. (From~To) |
|-----|-----|-----------|--------------------|-----------|------|--------------|----------------------|
| 1 | | FA29008 | OIL SEAL | 1 | | | |
| 2 | | FA31015 | FILTER, OIL | 1 | | | |
| 3 | | KB66008GA | COVER, CRANKCASE | 1 | | | |
| 4 | | KD51002AA | SHAFT, BALANCER | 1 | | | |
| 5 | | KG01003CA | GOVERNOR GEAR ASSY | 1 | | INCL. NO. 6 | |
| 6 | | KG14004AA | SLIDER, GOV | 1 | | | |
| 7 | | KG22004AA | SHAFT, GOV | 1 | | | |
| 8 | | KL11001AA | PUMP, OIL | 1 | | | |
| 9 | | KL14009AA | SHAFT | 1 | | | |
| 10 | | KL14010AA | SPACER | 1 | | | |
| 11 | | KL21005EA | GAUGE, OIL | 2 | | INCL. NO. 12 | |
| 12 | | KW29006AA | O-RING | 2 | | | |

(D) CASE COVER GROUP



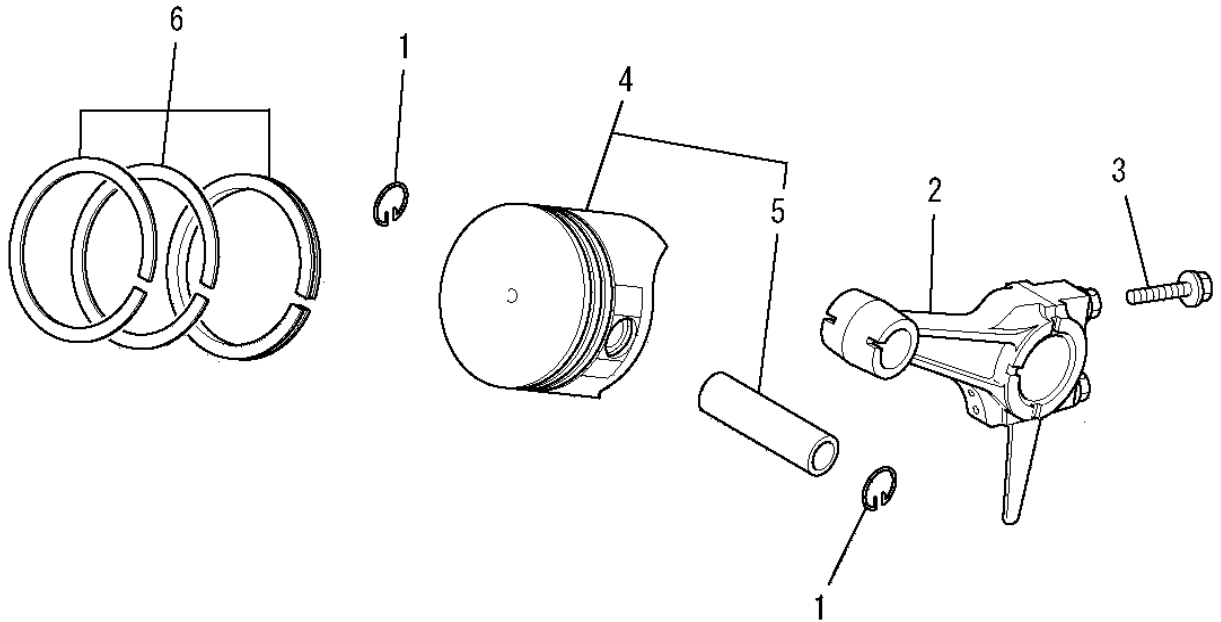
| No. | R/N | Parts No. | Parts Name | No. Req'd | Inte | Remarks | Serial No. (From~To) |
|-----|-----|-------------|-------------------|-----------|------|---------|----------------------|
| 13 | | S111X62X060 | BEARING, BALL | 1 | | #6206 | |
| 14 | | S111X62X030 | BEARING, BALL | 1 | | #6203 | |
| 15 | | B800A06X008 | BOLT, FLANGE | 1 | | | |
| 16 | | B800B08X030 | BOLT, FLANGE | 8 | | | |
| 17 | | KU14031AA | BOLT, FLANGE | 1 | | | |
| 18 | | KU44001AA | PIN, DOWEL | 2 | | | |
| 19 | | W200H06 | WASHER | 1 | | | |
| 20 | | KW31007AA | GASKET, CRANKCASE | 1 | | | |

(E) CRANKSHAFT GROUP



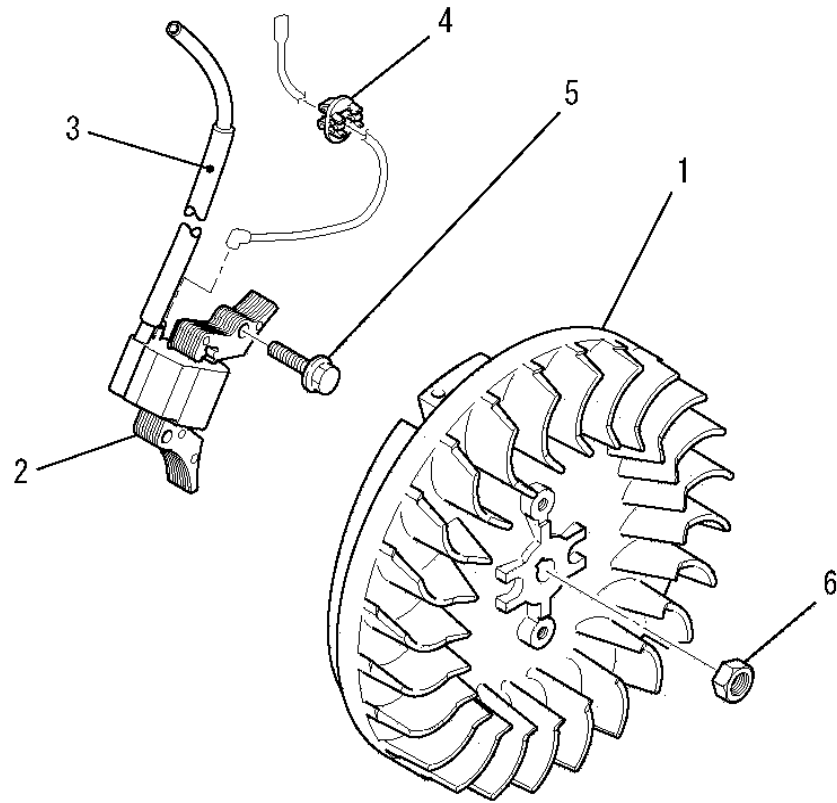
| No. | R/N | Parts No. | Parts Name | No. Req'd | Inte | Remarks | Serial No. (From~To) |
|-----|-----|-------------|--------------------|-----------|------|----------------|----------------------|
| 1 | | KD02059EA | CRANKSHAFT ASSY | 1 | | INCL. NO. 2, 3 | |
| 2 | | KD63040AA | GEAR, CRANKSHAFT | 1 | | | |
| 3 | | KD90012AA | KEY, WOODRUFF | 1 | | | |
| 4 | | W430B05X016 | KEY, WOODRUFF | 1 | | | |
| 5 | | KV01196AA | CAMSHAFT GEAR ASSY | 1 | | INCL. NO. 6, 7 | |
| 6 | | KV83009FA | PIN | 1 | | | |
| 7 | | S500P03 | SNAP RING | 1 | | | |

(F) PISTON & ROD GROUP



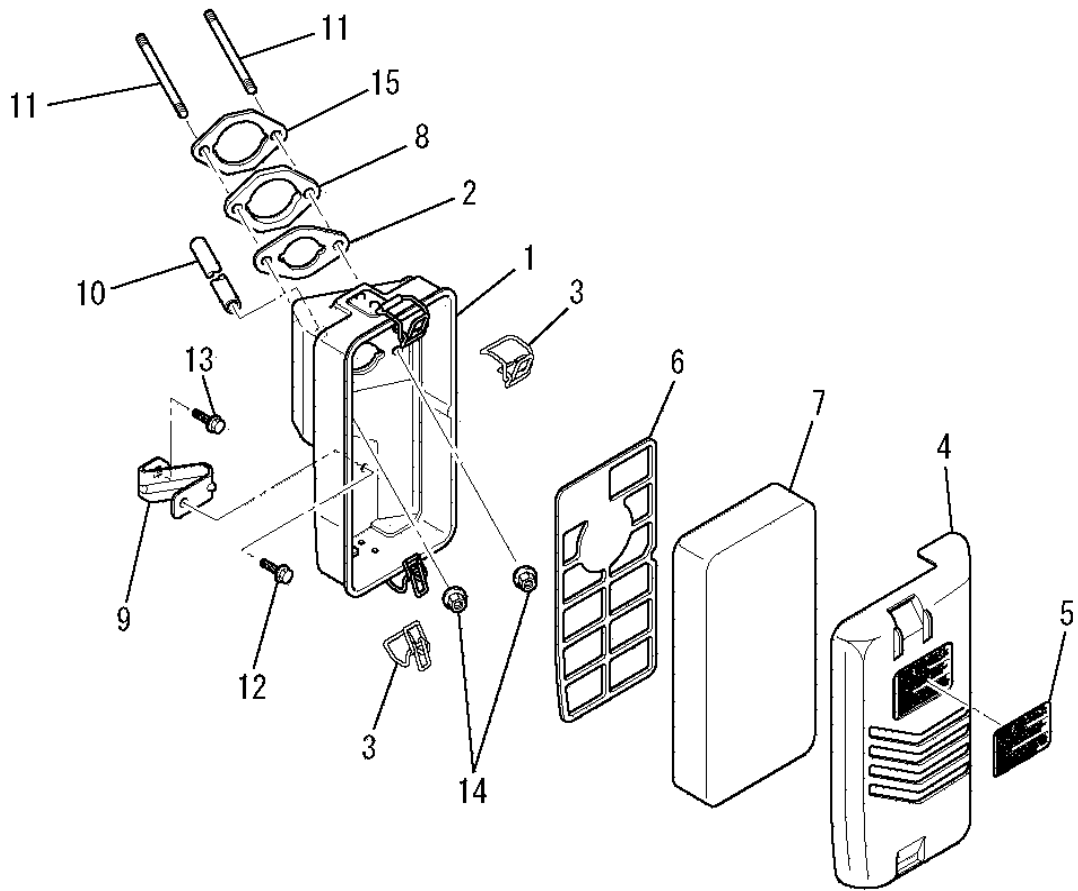
| No. | R/N | Parts No. | Parts Name | No. Req'd | Inte | Remarks | Serial No. (From~To) |
|-----|-----|-----------|---------------------|-----------|------|---------------------|----------------------|
| 1 | | BG04486 | CLIP, PISTON PIN | 2 | | | |
| 2 | | KD03020AA | CONNECTING ROD ASSY | 1 | | STD INCL. NO. 3 | |
| 2 | 1 | KD03020BA | CONNECTING ROD ASSY | 1 | | US 0.25 INCL. NO. 3 | |
| 2 | 2 | KD03020CA | CONNECTING ROD ASSY | 1 | | US 050 INCL. NO. 3 | |
| 3 | | KD70001AA | BOLT | 2 | | | |
| 4 | | KP01048AA | PISTON SET | 1 | | STD INCL. NO. 5 | |
| 4 | 1 | KP01048BA | PISTON SET | 1 | | OS 0.25 INCL. NO. 5 | |
| 4 | 2 | KP01048CA | PISTON SET | 1 | | OS 0.50 INCL. NO. 5 | |
| 5 | | KP57002AA | PIN, PISTON | 1 | | | |
| 6 | | KP02010AA | PISTON RING SET | 1 | | STD | |
| 6 | 1 | KP02010BA | PISTON RING SET | 1 | | OS 0.25 | |
| 6 | 2 | KP02010CA | PISTON RING SET | 1 | | OS 0.50 | |

(G) MAGNETO GROUP



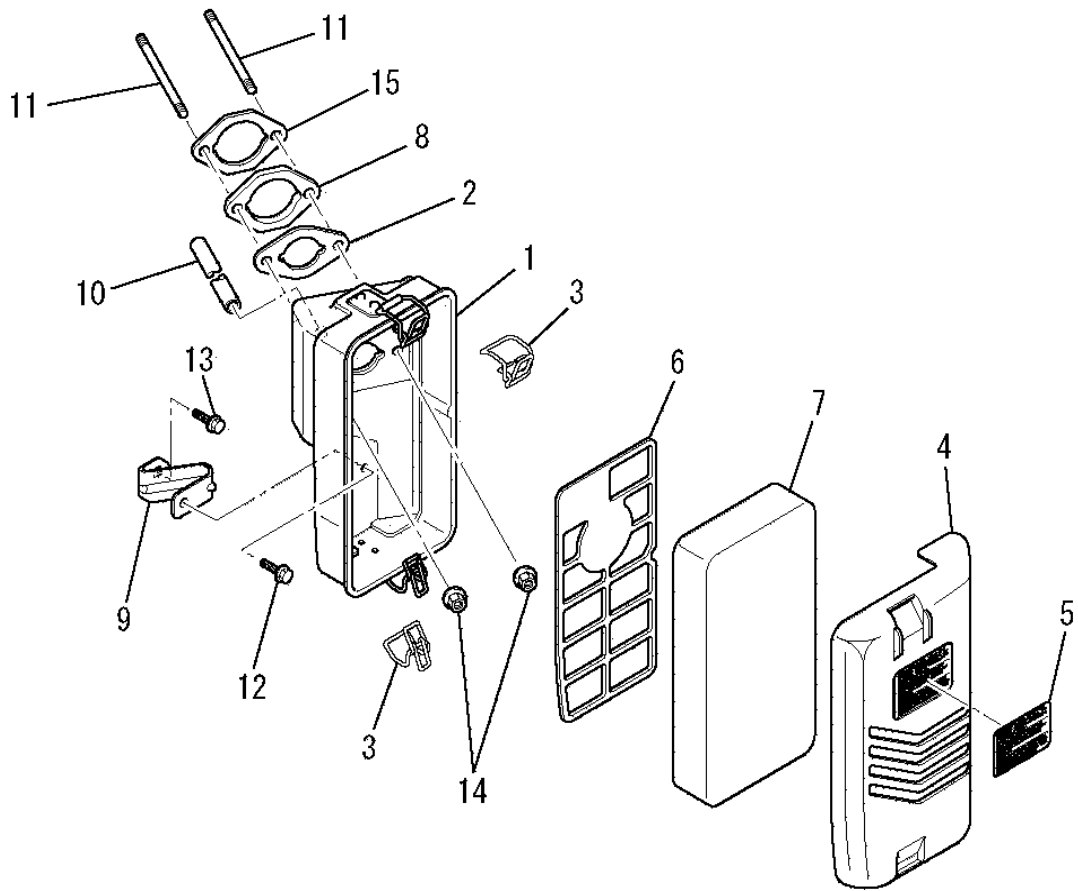
| No. | R/N | Parts No. | Parts Name | No. Req'd | Inte | Remarks | Serial No. (From~To) |
|-----|-----|-------------|----------------|-----------|------|---------|----------------------|
| 1 | | KE12010DA | FLYWHEEL | 1 | | | |
| 2 | | KE24010BA | COIL, IGNITION | 1 | | | |
| 3 | | KE90073AA | TUBE | 1 | | | |
| 4 | | KU70007AA | CLIP | 1 | | | |
| 5 | | B805B06X030 | BOLT, FLANGE | 2 | | | |
| 6 | | FR41231 | NUT | 1 | | | |

(H) AIR CLEANER GROUP



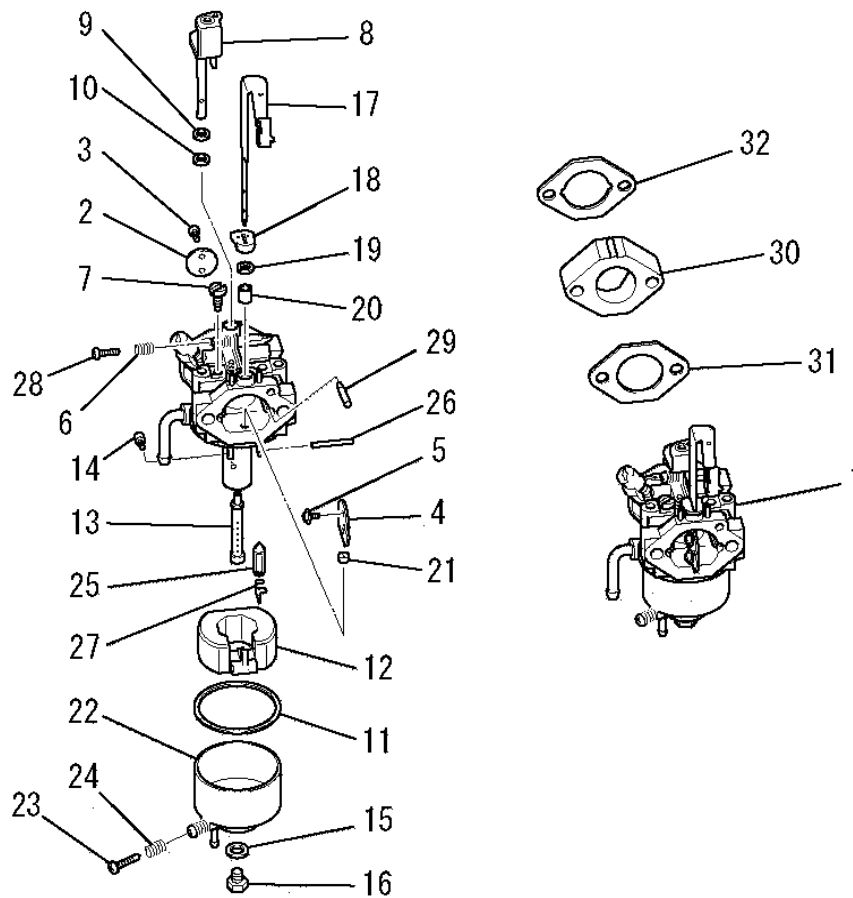
| No. | R/N | Parts No. | Parts Name | No. Req'd | Inte | Remarks | Serial No. (From~To) |
|-----|-----|--------------|--------------------|-----------|------|----------------|----------------------|
| 1 | | KA11009AA | CASE, CLEANER | 1 | | INCL. NO. 2, 3 | |
| 2 | | KA11004BA007 | GASKET | 1 | | | |
| 3 | | KA90144AA | HOLDER | 2 | | | |
| 4 | | KA20045AA | COVER, CLEANER | 1 | | INCL. NO. 5 | |
| 5 | | FA24115 | LABEL, INSTRUCTION | 1 | | | |
| 6 | | KA30016AA | GRID | 1 | | | |
| 7 | | KA40059AA | ELEMENT, CLEANER | 1 | | | |
| 8 | | KA90059CA | SPACER | 1 | | | |
| 9 | | KA90097AA | BRACKET | 1 | | | |
| 10 | | ZZ70002M | TUBE, BREATHER | 1 | | | |
| 11 | | B155B06X085 | BOLT, STUD | 2 | | | |
| 12 | | B800A06X008 | BOLT, FLANGE | 1 | | | |

(H) AIR CLEANER GROUP



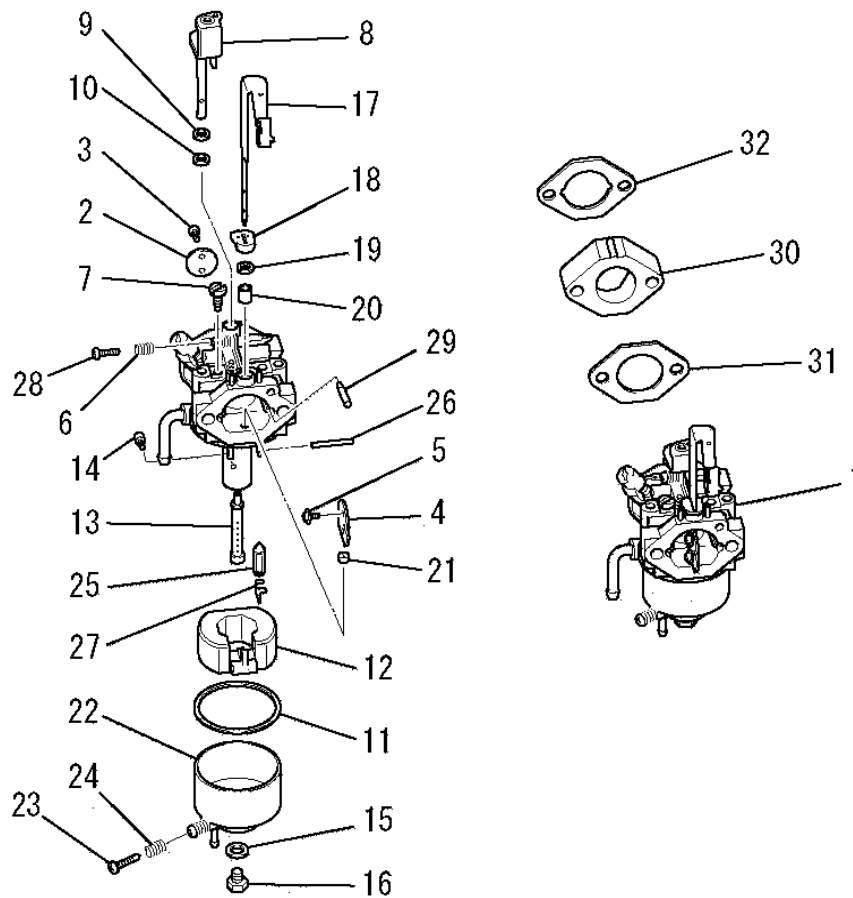
| No. | R/N | Parts No. | Parts Name | No. Req'd | Inte | Remarks | Serial No. (From~To) |
|-----|-----|-------------|--------------------|-----------|------|---------|----------------------|
| 13 | | B805B06X012 | BOLT, FLANGE | 1 | | | |
| 14 | | N801A06 | NUT, FLANGE | 2 | | | |
| 15 | | KW34005AA | GASKET, CARBURETOR | 1 | | | |

(I) CARBURETOR GROUP



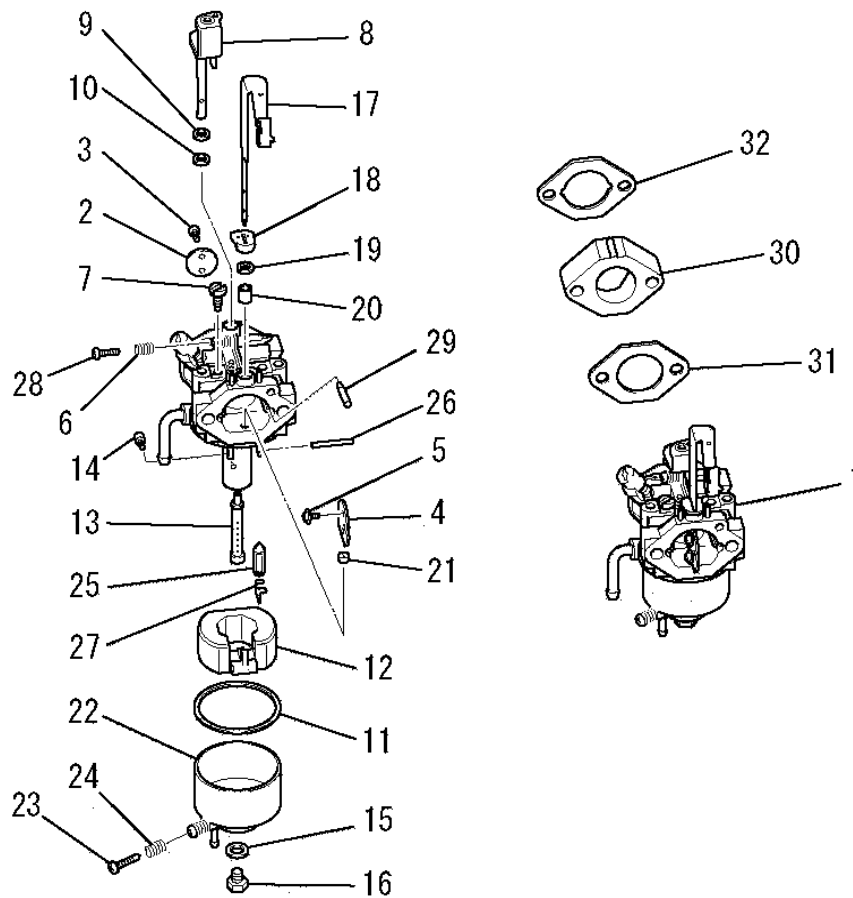
| No. | R/N | Parts No. | Parts Name | No. Req'd | Inte | Remarks | Serial No. (From~To) |
|-----|-----|--------------|-----------------|-----------|------|----------------|----------------------|
| 1 | | KK15015AB | CARBURETOR (F) | 1 | | INCL. NO. 2-29 | |
| 2 | | KK15001AA002 | VALVE, THROTTLE | 1 | | | |
| 3 | | KK15016AA003 | SCREW | 2 | | | |
| 4 | | KK15001AA004 | VALVE, CHOKE | 1 | | | |
| 5 | | KK15016AA005 | SCREW | 2 | | | |
| 6 | | KK13003AA008 | SPRING | 1 | | | |
| 7 | | KK13002AA006 | JET, PILOT | 1 | | | |
| 8 | | KK15008XY011 | SHAFT, THROTTLE | 1 | | | |
| 9 | | KK12008AE015 | PACKING | 1 | | | |
| 10 | | KK12008AE016 | SEAL | 1 | | | |
| 11 | | KK15003AE014 | PACKING | 1 | | | |
| 12 | | KK15003AE015 | FLOAT | 1 | | | |

(I) CARBURETOR GROUP



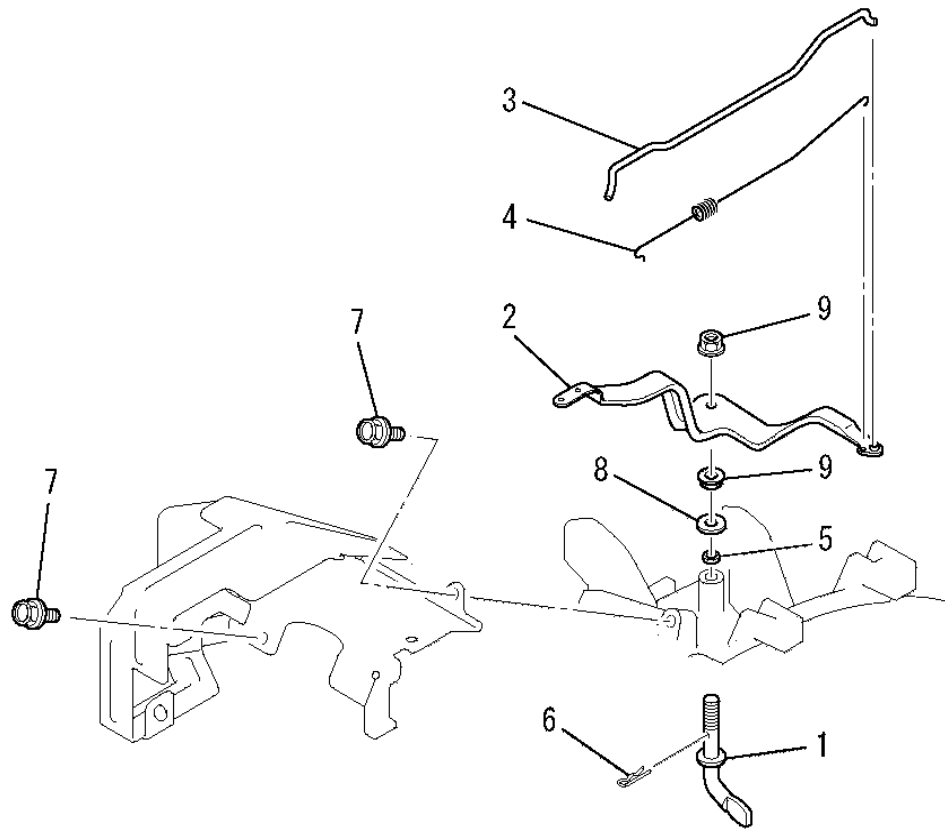
| No. | R/N | Parts No. | Parts Name | No. Req'd | Inte | Remarks | Serial No. (From~To) |
|-----|-----|--------------|----------------|-----------|------|------------------|----------------------|
| 13 | | KK74524BH055 | NOZZLE, MAIN | 1 | | | |
| 14 | | KK74525BA013 | JET, MAIN | 1 | | | |
| 15 | | FA27080XX013 | GASKET | 1 | | | |
| 16 | | KK15003AE019 | BOLT | 1 | | | |
| 17 | | KK15012AB020 | LEVER, CHOKE | 1 | | | |
| 18 | | KK12008AE018 | RING | 1 | | | |
| 19 | | KK12008AE019 | SEAL | 1 | | | |
| 20 | | KK12008AE020 | RING | 1 | | | |
| 21 | | KK15001AA014 | RING | 1 | | | |
| 22 | | KK15005DA025 | CHAMBER, FLOAT | 1 | | INCL. NO. 23, 24 | |
| 23 | | KK15001AA018 | SCREW | 1 | | | |
| 24 | | KK13003AA008 | SPRING | 1 | | | |

(I) CARBURETOR GROUP



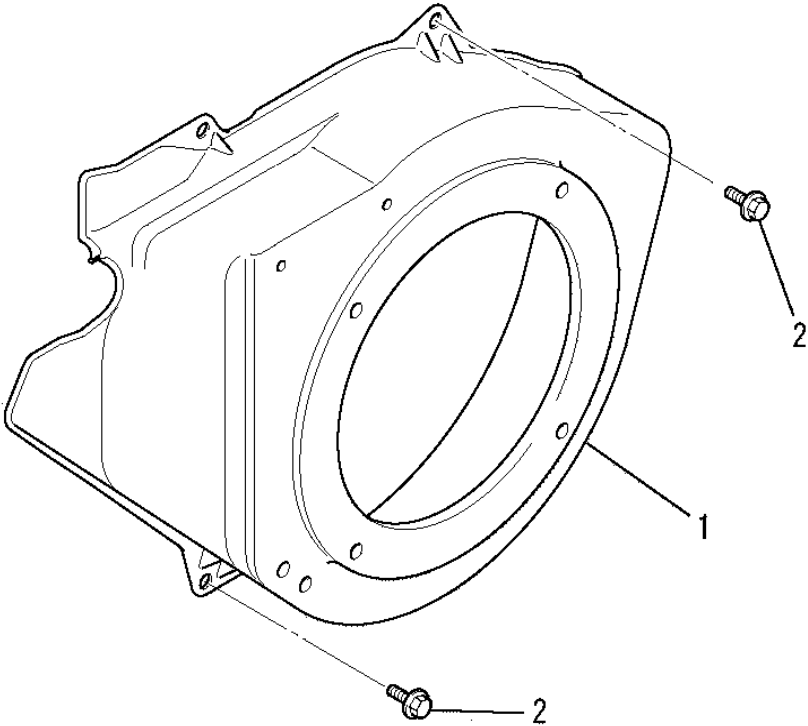
| No. | R/N | Parts No. | Parts Name | No. Req'd | Inte | Remarks | Serial No. (From~To) |
|-----|-----|--------------|--------------------|-----------|------|---------|----------------------|
| 25 | | KK15003AE026 | VALVE, NEEDLE | 1 | | | |
| 26 | | KK15001AA016 | PIN | 1 | | | |
| 27 | | KK12008AE011 | CLIP | 1 | | | |
| 28 | | KK12008AE009 | SCREW | 1 | | | |
| 29 | | KK15001AA026 | JET | 1 | | | |
| 30 | | KK33007AA | INSULATOR | 1 | | | |
| 31 | | KW34001AA | GASKET, CARBURETOR | 1 | | | |
| 32 | | KW34005AA | GASKET, CARBURETOR | 1 | | | |

(J) CONTROL PANEL GROUP



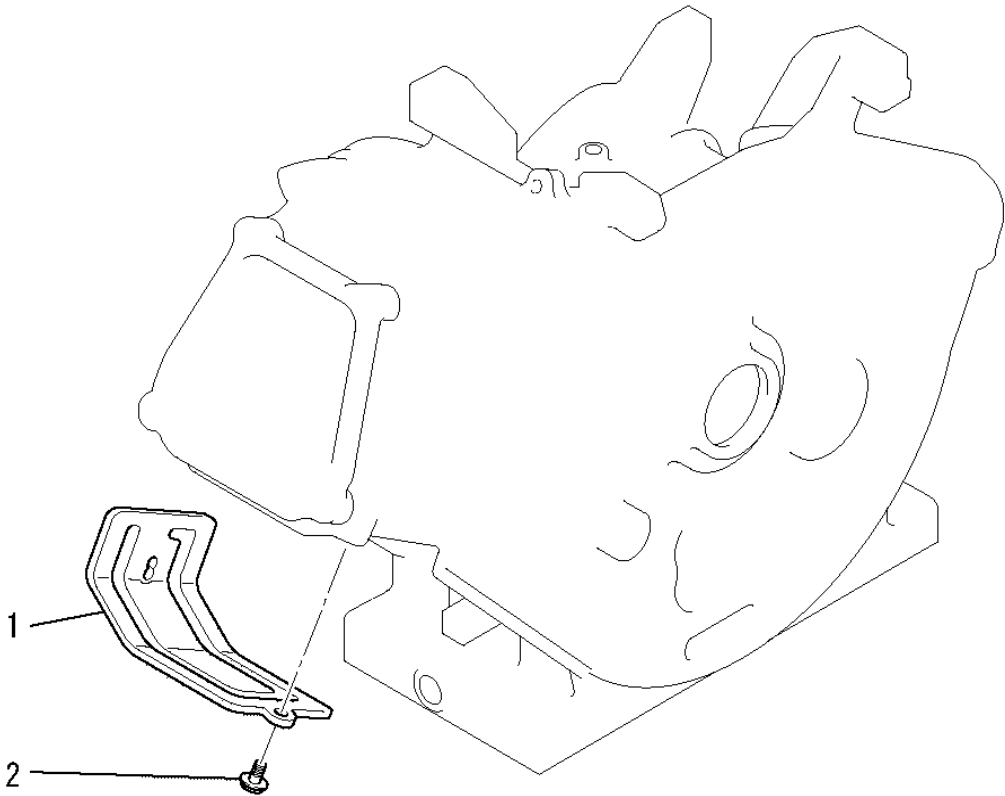
| No. | R/N | Parts No. | Parts Name | No. Req'd | Inte | Remarks | Serial No. (From~To) |
|-----|-----|-------------|--------------|-----------|------|---------|----------------------|
| 1 | | KG22006AA | SHAFT, GOV | 1 | | | |
| 2 | | KG31014AA | LEVER, GOV | 1 | | | |
| 3 | | KG41015AA | ROD, GOV | 1 | | | |
| 4 | | KG42011AA | SPRING, ROD | 1 | | | |
| 5 | | KG90016AA | SEAL, DUST | 1 | | | |
| 6 | | KU70006AA | CLIP | 1 | | | |
| 7 | | B805B06X012 | BOLT, FLANGE | 2 | | | |
| 8 | | KG90015AA | WASHER | 1 | | | |
| 9 | | KU24002AA | NUT | 2 | | | |

(K) FAN COVER GROUP



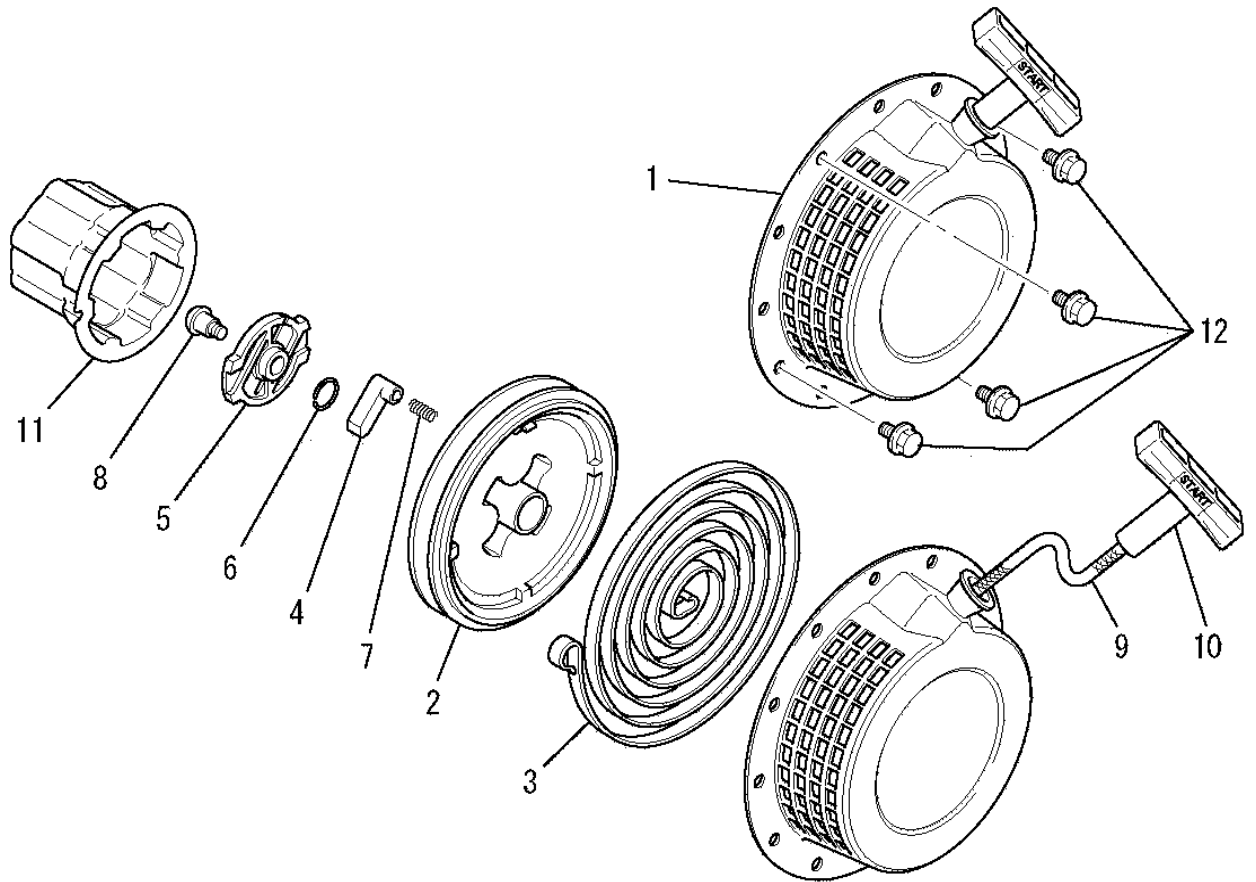
| No. | R/N | Parts No. | Parts Name | No. Req'd | Inte | Remarks | Serial No. (From~To) |
|-----|-----|-------------|--------------|-----------|------|---------|----------------------|
| 1 | | KH28005JH | COVER, FAN | 1 | | | |
| 2 | | B805B06X012 | BOLT, FLANGE | 4 | | | |

(L) CYLINDER COVER GROUP



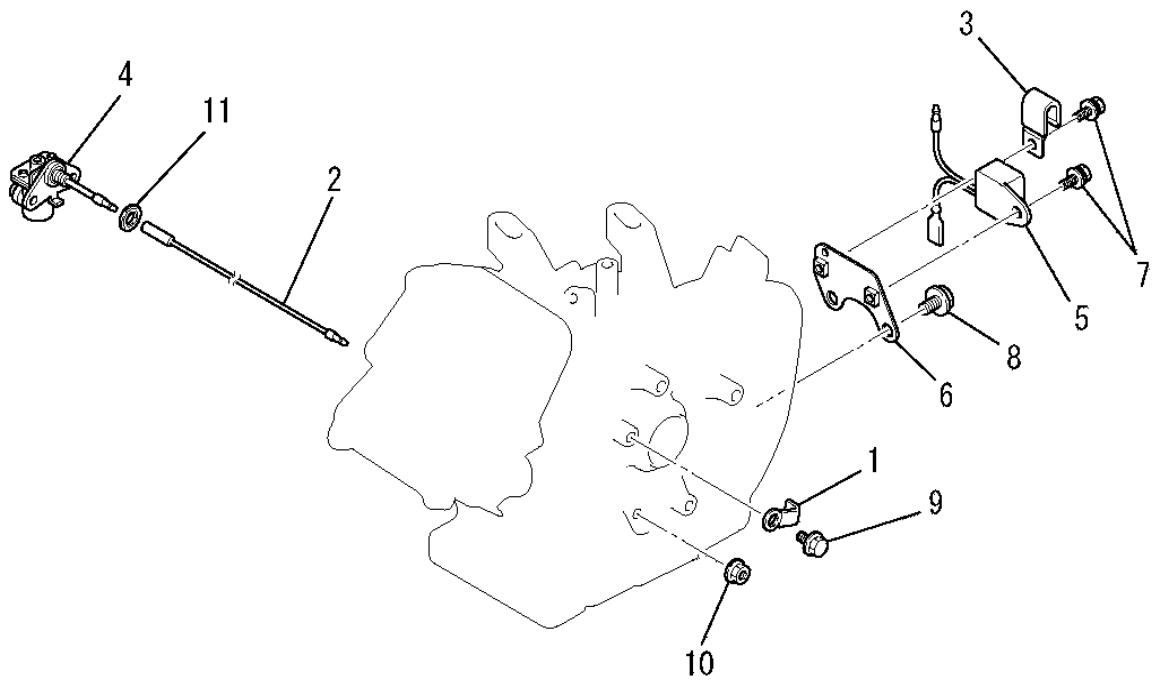
| No. | R/N | Parts No. | Parts Name | No. Req'd | Inte | Remarks | Serial No. (From~To) |
|-----|-----|-------------|-----------------|-----------|------|---------|----------------------|
| 1 | | KH40020AA | COVER, CYLINDER | 1 | | | |
| 2 | | B805B06X012 | BOLT, FLANGE | 2 | | | |

(R) RECOIL STARTER GROUP



| No. | R/N | Parts No. | Parts Name | No. Req'd | Inte | Remarks | Serial No. (From~To) |
|-----|-----|--------------|---------------------|-----------|------|----------------|----------------------|
| 1 | | KS02039AD | RECOIL STARTER ASSY | 1 | | INCL. NO. 2-11 | |
| 2 | | KS20060AD002 | REEL | 1 | | | |
| 3 | | KS20060AD003 | SPRING, SPIRAL | 1 | | | |
| 4 | | KS20060AD004 | RATCHET | 2 | | | |
| 5 | | KS20061AD005 | GUIDE | 1 | | | |
| 6 | | KS20060AD006 | SPRING, FRICTION | 1 | | | |
| 7 | | KS20020AD007 | SPRING, RETURN | 2 | | | |
| 8 | | KS20020AD008 | SCREW | 1 | | | |
| 9 | | KS20035AD013 | ROPE, STARTER | 1 | | | |
| 10 | | KS20060AD014 | KNOB, STARTER | 1 | | | |
| 11 | | KS30020AA | PULLEY, STARTER | 1 | | | |
| 12 | | B800A06X008 | BOLT, FLANGE | 4 | | | |

(W) OIL SENSOR GROUP



| No. | R/N | Parts No. | Parts Name | No. Req'd | Inte | Remarks | Serial No. (From~To) |
|-----|-----|-------------|------------------|-----------|------|---------|----------------------|
| 1 | | FA41303 | CLAMP | 1 | | | |
| 2 | | FR63858D | WIRE, LEAD | 1 | | | |
| 3 | | FR64917 | CLAMP | 1 | | | |
| 4 | | KE09021AA | SENSOR, OIL | 1 | | | |
| 5 | | KE34001BA | UNIT | 1 | | | |
| 6 | | KE90168AA | BRACKET, UNIT | 1 | | | |
| 7 | | B070A05X010 | BOLT&WASHER | 2 | | | |
| 8 | | B800A08X016 | BOLT, FLANGE | 2 | | | |
| 9 | | B805B06X012 | BOLT, FLANGE | 1 | | | |
| 10 | | ZZ70028C | NUT, CONICAL SPG | 1 | | | |
| 11 | | KW39066AA | GASKET | 1 | | | |