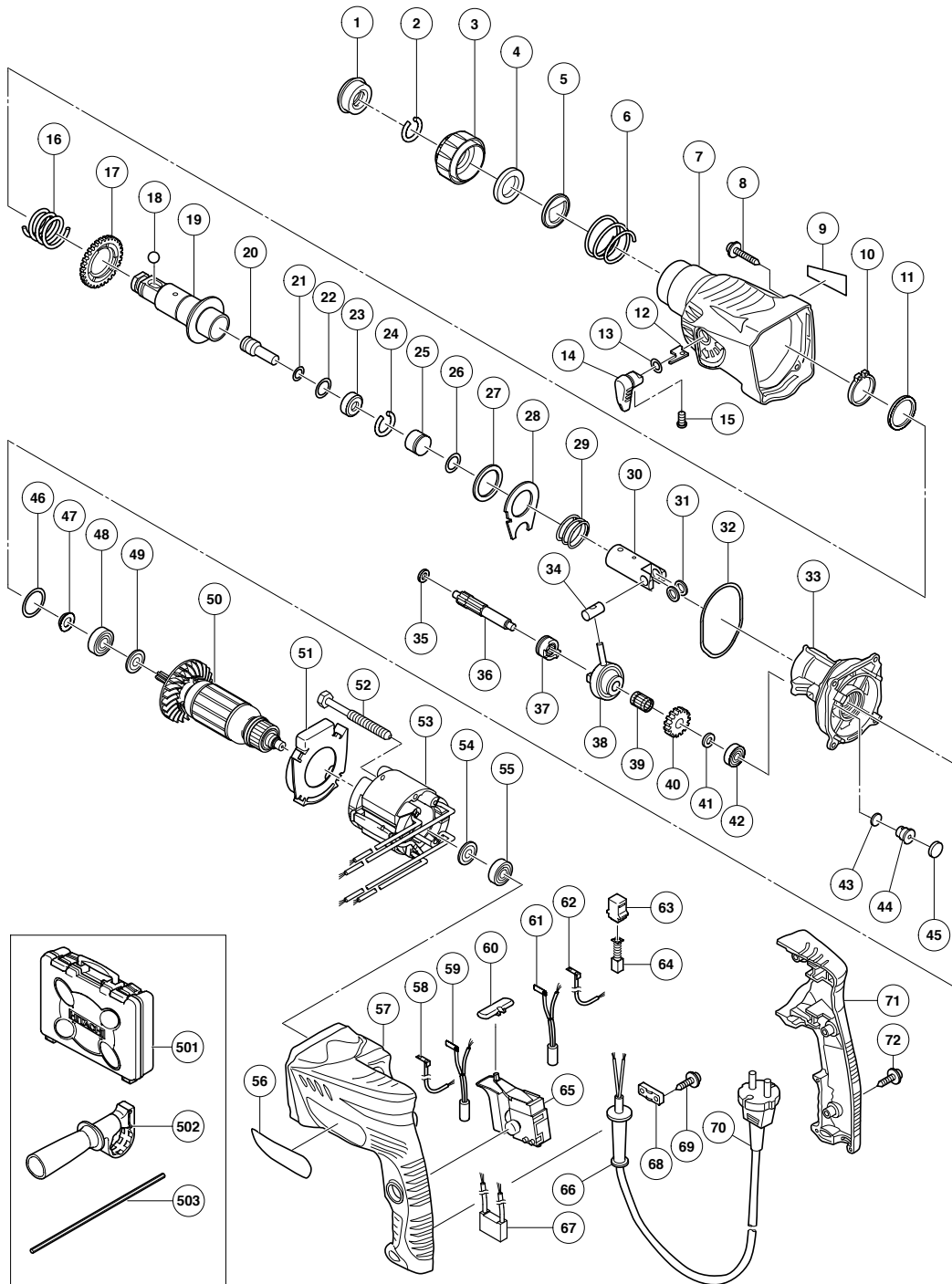


ELECTRIC TOOL PARTS LIST

■ ROTARY HAMMER Model DH 22PG

2007 · 6 · 4

(E1)



PARTS

DH 22PG

ITEM NO.	CODE NO.	DESCRIPTION	NO. USED	REMARKS
1	306-345	FRONT CAP	1	
2	306-340	STOPPER RING	1	
3	325-597	GRIP	1	
4	327-879	BALL HOLDER	1	
5	324-526	HOLDER PLATE	1	
6	322-812	HOLDER SPRING	1	
7	327-873	GEAR COVER	1	
8	305-490	TAPPING SCREW (W/FLANGE) D4X30 (BLACK)	4	
9		NAME PLATE	1	
10	965-469	RETAINING RING FOR D25 SHAFT	1	
11	944-274	WASHER	1	
12	327-875	STOPPER	1	
13	872-654	O-RING (1AP-10)	1	
14	325-594	LEVER	1	
15	949-213	MACHINE SCREW M4X5 (10 PCS.)	1	
16	306-334	SPRING (A)	1	
17	306-333	SECOND GEAR	1	
18	959-156	STEEL BALL D7.0 (10 PCS.)	1	
19	327-876	CYLINDER	1	
20	327-877	SECOND HAMMER	1	
21	301-672	O-RING (B)	1	
22	311-814	O-RING (P-15)	1	
23	327-878	HAMMER HOLDER	1	
24	306-340	STOPPER RING	1	
25	325-601	STRIKER	1	
26	306-326	O-RING (A)	1	
27	327-880	THRUST WASHER	1	
28	325-588	THRUST PLATE	1	
29	306-976	SPRING (B)	1	
30	306-324	PISTON	1	
31	328-660	WASHER	2	
32	327-870	O-RING (A)	1	
33	327-869	INNER COVER ASS'Y	1	INCLUD. 43-45
34	306-322	PISTON PIN	1	
35	325-587	SPACER	1	
36	327-871	SECOND SHAFT	1	
37	325-584	CLUTCH	1	
38	325-585	RECIPROCATING BEARING	1	
39	306-320	NEEDLE CAGE	1	
40	327-872	FIRST GEAR	1	
41	995-634	WASHER (B) D12.5	1	
42	626-VVM	BALL BEARING 626VVC2PS2L	1	
43	324-543	FELT PACKING (A)	1	
44	324-545	VALVE	1	
45	324-544	FELT PACKING (B)	1	
46	878-609	O-RING (S-24)	1	
47	306-312	FRINGER	1	
48	609-DDC	BALL BEARING 609DDC3PS2-L	1	
49	958-915	WASHER (A)	1	
* 50	360-798U	ARMATURE ASS'Y 110V-120V	1	INCLUD. 47-49, 54, 55
* 50	360-798E	ARMATURE 220V-230V	1	

PARTS

ITEM NO.	CODE NO.	DESCRIPTION	NO. USED	REMARKS
* 50	360-798F	ARMATURE 240V	1	
51	327-868	FAN GUIDE	1	
52	981-824	HEX. HD. TAPPING SCREW D4X45	2	
* 53	340-701C	STATOR 110V-120V	1	
* 53	340-701E	STATOR 220V-230V	1	
* 53	340-701F	STATOR 240V	1	
54	982-631	WASHER (A)	1	
55	608-VVM	BALL BEARING 608VVC2PS2L	1	
56		HITACHI LABEL	1	
57	327-881	HOUSING	1	
* 58	324-537	INTERNAL WIRE (A) (BROWN)	1	FOR VEN, THA, INA, SYR, SIN, HKG, KUW, USA, CAN, IND
* 59	324-549	CHOKE COIL (A) BROWN	1	EXCEPT FOR VEN, THA, INA, SYR, SIN, HKG, KUW, USA, CAN, IND
60	322-853	PUSHING BUTTON	1	
* 61	324-551	CHOKE COIL (A) BLUE	1	EXCEPT FOR VEN, THA, INA, SYR, SIN, HKG, KUW, USA, CAN, IND
* 62	324-538	INTERNAL WIRE (A) (BLUE)	1	FOR VEN, THA, INA, SYR, SIN, HKG, KUW, USA, CAN, IND
63	955-203	BRUSH HOLDER	2	
64	999-041	CARBON BRUSH (1 PAIR)	2	
65	324-536	SWITCH (1P PILLAR TYPE)	1	
* 66	953-327	CORD ARMOR D8.8	1	
* 66	938-051	CORD ARMOR D10.1	1	
* 67	930-039	NOISE SUPPRESSOR	1	EXCEPT FOR VEN, THA, INA, SYR, SIN, HKG, KUW, USA, CAN, IND
68	937-631	CORD CLIP	1	
69	984-750	TAPPING SCREW (W/FLANGE) D4X16	2	
* 70	500-390Z	CORD	1	(CORD ARMOR D8.8)
* 70	500-447Z	CORD	1	(CORD ARMOR D8.8) FOR SYR
* 70	500-424Z	CORD	1	(CORD ARMOR D8.8) FOR SIN, KUW
* 70	500-235Z	CORD	1	(CORD ARMOR D8.8) FOR INA, IND
* 70	500-239Z	CORD	1	(CORD ARMOR D10.1) FOR THA
* 70	930-055	CORD	1	(CORD ARMOR D10.1) FOR VEN
* 70	500-408Z	CORD	1	(CORD ARMOR D8.8) FOR NZL, AUS
* 70	500-249Z	CORD	1	(CORD ARMOR D8.8) FOR USA, CAN
* 70	500-446Z	CORD	1	(CORD ARMOR D8.8) FOR GBR (230V)
* 70	500-465Z	CORD	1	(CORD ARMOR D8.8) FOR GBR (110V)
* 70	500-391Z	CORD	1	(CORD ARMOR D8.8) FOR SUI
* 70	500-440Z	CORD	1	(CORD ARMOR D8.8) FOR HKG
* 70	500-456Z	CORD	1	(CORD ARMOR D8.8) FOR CHN
* 70	323-974	CORD	1	(CORD ARMOR D10.1) FOR TPE
* 70	500-475Z	CORD	1	(CORD ARMOR D8.8) FOR KOR
71	327-882	HANDLE COVER	1	
72	301-653	TAPPING SCREW (W/FLANGE) D4X20 (BLACK)	3	

STANDARD ACCESSORIES

DH 22PG

ITEM NO.	CODE NO.	DESCRIPTION	NO. USED	REMARKS
501	327-883	CASE	1	
502	324-548	SIDE HANDLE	1	
* 503	303-709	DEPTH GAUGE	1	
* 503	310-331	DEPTH GAUGE	1	FOR USA, CAN

OPTIONAL ACCESSORIES

ITEM NO.	CODE NO.	DESCRIPTION	NO. USED	REMARKS
601	308-471	GREASE FOR HAMMER.HAMMER DRILL (70G)	1	
602	980-927	GREASE FOR HAMMER.HAMMER DRILL (500G)	1	
603	981-840	GREASE (A) FOR HAMMER.HAMMER DRILL (30G)	1	
604	321-814	DRILL CHUCK 13VLRB-D	1	INCLUD. 605
605	995-344	FLAT HD. SCREW (A) (LEFT HAND) M6X25	1	
606	971-511Z	+ DRIVER BIT (A) NO. 2 25L	1	
607	971-512Z	+ DRIVER BIT (A) NO. 3 25L	1	
608	981-122	SPECIAL SCREW M6X22	1	
609	971-794	ANCHOR SETTING ADAPTER A W1/4" (MANUAL)	1	
610	971-795	ANCHOR SETTING ADAPTER A W5/16" (MANUAL)	1	
611	971-796	ANCHOR SETTING ADAPTER A W3/8" (MANUAL)	1	
612	971-797	ANCHOR SETTING ADAPTER A W1/2" (MANUAL)	1	
613	971-798	ANCHOR SETTING ADAPTER A W5/8" (MANUAL)	1	
614	971-799	ANCHOR SETTING ADAPTER B W1/4" (MANUAL)	1	
615	971-800	ANCHOR SETTING ADAPTER B W5/16" (MANUAL)	1	
616	971-801	ANCHOR SETTING ADAPTER B W3/8" (MANUAL)	1	
617	971-802	ANCHOR SETTING ADAPTER B W1/2" (MANUAL)	1	
618	971-803	ANCHOR SETTING ADAPTER B W5/8" (MANUAL)	1	
619	944-477	COTTER	1	
620	303-046	BULL POINT (SDS+) 250MM (ROUND SHANK TYPE)	1	
621	302-976	ANCHOR SETTING ADAPTER A (SDS+) W1/4X260L	1	
622	302-975	ANCHOR SETTING ADAPTER A (SDS+) W5/16X260L	1	
623	303-621	ANCHOR SETTING ADAPTER A (SDS+) W3/8X160L	1	
624	302-974	ANCHOR SETTING ADAPTER A (SDS+) W3/8X260L	1	
625	302-979	ANCHOR SETTING ADAPTER B (SDS+) W1/4X260L	1	
626	302-978	ANCHOR SETTING ADAPTER B (SDS+) W5/16X260L	1	
627	303-622	ANCHOR SETTING ADAPTER B (SDS+) W3/8X160L	1	
628	302-977	ANCHOR SETTING ADAPTER B (SDS+) W3/8X260L	1	
629	303-334	CHUCK HANDLE	1	
630	930-515	CHUCK WRENCH 10G	1	
631	303-332	HAMMER DRILL CHUCK SET 13MM	1	INCLUD. 632, 633
632	303-334	CHUCK HANDLE	1	
633	303-335	RUBBER CAP	1	
634	321-813	DRILL CHUCK 13VLD-D	1	
635	320-859	SYRINGE (BLOW-OUT BULB TYPE)	1	
636	303-617	TAPER SHANK ADAPTER (SDS PLUS) NO. 1	1	
637	303-618	TAPER SHANK ADAPTER (SDS PLUS) NO. 2	1	
638	303-619	A-TAPER SHANK ADAPTER (SDS PLUS)	1	
639	303-620	B-TAPER SHANK ADAPTER (SDS PLUS)	1	
640	303-624	CHUCK ADAPTER (D) (SDS PLUS)	1	
641	303-623	CHUCK ADAPTER (G) (SDS PLUS)	1	

OPTIONAL ACCESSORIES

ITEM NO.	CODE NO.	DESCRIPTION	NO. USED	REMARKS	
642	321-825	DRILL CHUCK AND ADAPTER SET	1	INCLUD. 604, 642	
643	306-369	DRILL BIT (SLENDER SHAFT) D3.4X90	1		
644	306-368	DRILL BIT (SLENDER SHAFT) D3.5X90	1		
645	306-370	ADAPTER FOR SLENDER SHAFT (SDS PLUS)	1		
646	944-460	TAPER SHANK DRILL BIT D11X100	1		
647	944-461	TAPER SHANK DRILL BIT D12.3X110	1		
648	993-038	TAPER SHANK DRILL BIT D12.7X110	1		
649	944-462	TAPER SHANK DRILL BIT D14.3X110	1		
650	944-500	TAPER SHANK DRILL BIT D14.5X110	1		
651	944-463	TAPER SHANK DRILL BIT D17.5X120	1		
652	944-464	TAPER SHANK DRILL BIT D21.5X140	1		
653	971-787	DUST CUP	1		
654	931-844	STOPPER	1		
655	306-885	DUST COLLECTOR (B) ASS'Y	1	INCLUD. 656, 657	
656	306-910	SOCKET ADAPTER (B)	1		
657	986-802	DUST COLLECTOR ASS'Y	1	INCLUD. 658-664	
658	986-803	DUST COVER	1		
659	986-804	SEAL COVER	1		
660	948-310	RETAINING RING FOR D30 SHAFT	1		
661	958-063	WASHER	1		
662	959-150	STEEL BALL D6.35 (10 PCS.)	19		
663	986-805	OUTER RACE	1		
664	986-806	SOCKET	1		

