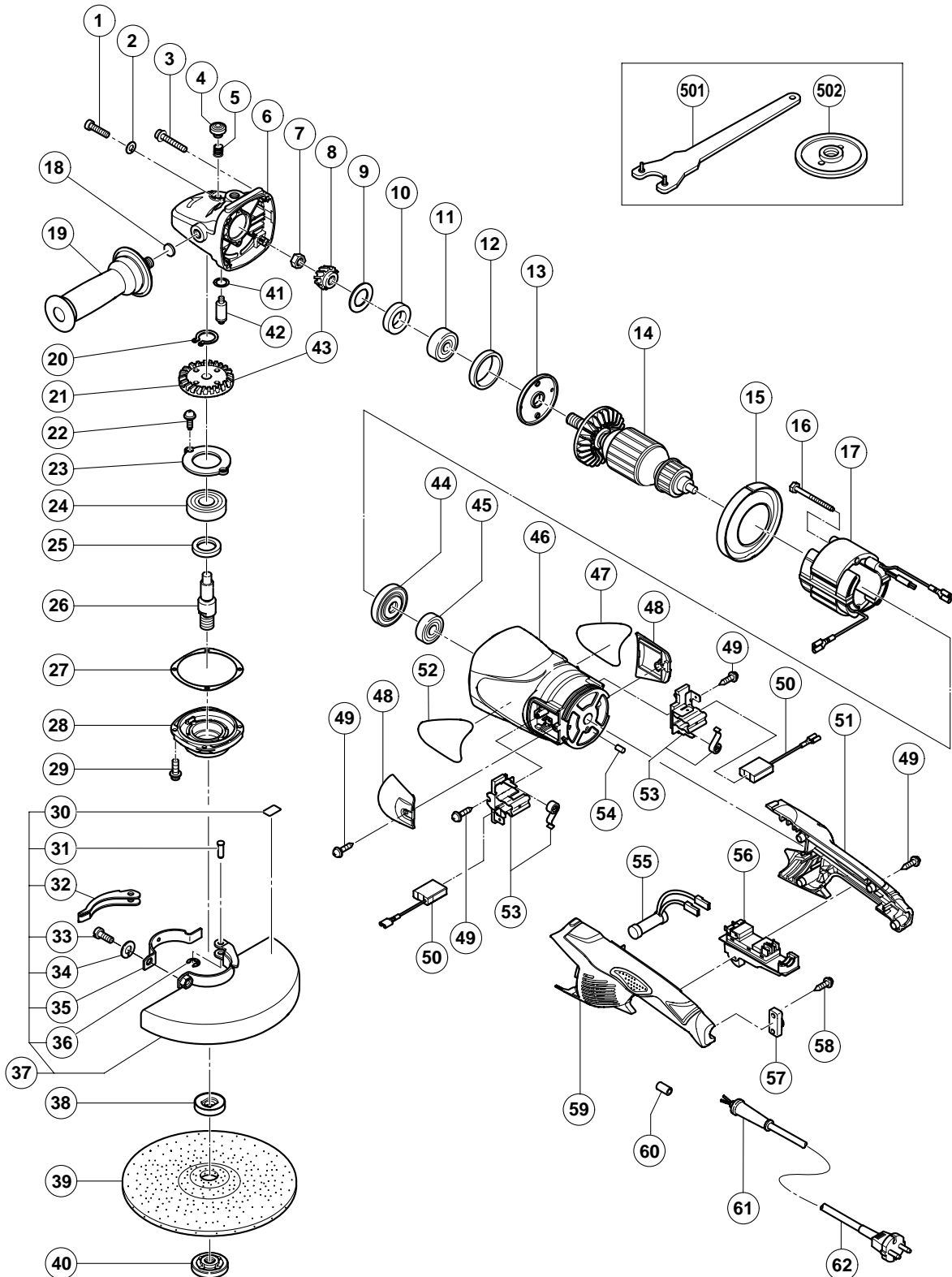


## ELECTRIC TOOL PARTS LIST

**DISC GRINDER**  
**Model G 23MRU**

**2004 • 2 • 20**  
**(E1)**



**PARTS**

G 23MRU

ITEM NO.	CODE NO.	DESCRIPTION	NO. USED	REMARKS
1	984-509	SEAL LOCK HEX. SOCKET HD. BOLT M5X14	2	
2	949-454	SPRING WASHER M5 (10 PCS.)	2	
3	313-585	HEX. SOCKET HD. BOLT (W/FLANGE) M5X30	4	
4	306-888	PUSHING BUTTON	1	
5	320-219	SPRING	1	
6	322-544	GEAR COVER ASS'Y	1	INCLUD. 4, 5, 18, 41, 42
7	320-226	SPECIAL NUT M10	1	
8	320-225	PINION	1	
9	320-221	SEAL WASHER	1	
10	320-222	FELT PACKING	1	
11	630-1DD	BALL BEARING 6301DDCMPS2L	1	
12	994-208	RUBBER RING (B)	1	
13	320-220	BEARING COVER (A)	1	
* 14	360-594E	ARMATURE 220V-230V	1	
* 14	360-594F	ARMATURE 240V	1	
15	320-215	FAN GUIDE	1	
16	984-271	HEX. HD. TAPPING SCREW D5X75	2	
* 17	340-546E	STATOR 220V-230V	1	
* 17	340-546F	STATOR 240V	1	
18	937-033	FELT WASHER	1	
19	322-411	SIDE HANDLE	1	
20	939-542	RETAINING RING FOR D12 SHAFT (10 PCS.)	1	
21	320-224	GEAR	1	
22	949-236	MACHINE SCREW M5X10 (10 PCS.)	2	
23	320-229	BEARING COVER (B)	1	
24	630-2DD	BALL BEARING 6302DDCMPS2L	1	
25	990-852	FELT PACKING (B)	1	
26	320-234	SPINDLE	1	
27	320-228	SEAL PLATE	1	
28	320-227	PACKING GLAND	1	
29	994-192	HEX. SOCKET HD. BOLT (W/FLANGE) M5X16	4	
30	311-492	LABEL	1	
31	321-546	SET PIN	1	
32	321-545	LEVER	1	
33	306-887	BOLT M8X22	1	
34	949-457	SPRING WASHER M8 (10 PCS.)	1	
35	321-544	SET PIECE	1	
36	673-489	RETAINING RING (E-TYPE) FOR D5 SHAFT	1	
37	321-547	WHEEL GUARD ASS'Y	1	INCLUD. 30-36
* 38	937-907Z	WHEEL WASHER (A)	1	
* 38	937-908Z	WHEEL WASHER (B)	1	FOR AUS
* 38	310-337	SUPER WASHER	1	FOR BEL
* 39	316-825	D. C. WHEELS 230MM A24R (25 PCS.)	1	FOR AUS
40	937-909Z	WHEEL NUT M14X2	1	
41	320-218	O-RING	1	
42	306-890	LOCK PIN	1	
43	320-223	GEAR AND PINION ASS'Y	1	INCLUD. 8, 21
44	320-216	DUST SEAL	1	
45	620-0VV	BALL BEARING 6200VVCMP2L	1	
46	322-543	HOUSING	1	
47		NAME PLATE	1	

PARTS

ITEM NO.	CODE NO.	DESCRIPTION	NO. USED	REMARKS	
	48	322-547	BRUSH COVER	2	
	49	305-812	TAPPING SCREW (W/FLANGE) D4X16 (BLACK)	8	
*	50	999-061	CARBON BRUSH 7X17X22.5 (1 PAIR)	2	
*	50	999-061	CARBON BRUSH 7X17X22.5 (1 PAIR)	1	FOR EUROPE
*	50	999-089	CARBON BRUSH (AUTO STOP TYPE) (1 PAIR)	1	FOR EUROPE
	51	322-546	HANDLE (B)	1	
	52		HITACHI LABEL	1	
	53	322-323	BRUSH HOLDER SET	2	
	54	946-362	BEARING LOCK	1	
	55	320-236	RESISTOR	1	
*	56	320-371	SWITCH (2P PILLAR TYPE) W/SAFETY LOCK	1	OFF LOCK (A: GRAY, B: GRAY)
*	56	320-235	SWITCH (2P PILLAR TYPE) W/SAFETY LOCK	1	OFF/ON LOCK (A: BLACK, B: GRAY)
	57	960-266	CORD CLIP	1	
	58	984-750	TAPPING SCREW (W/FLANGE) D4X16	2	
	59	322-545	HANDLE (A)	1	
*	60	981-373	TUBE (D)	2	FOR CORD
*	61	958-049	CORD ARMOR D8.2	1	
*	61	940-778	CORD ARMOR D10.7	1	
*	62	321-537	CORD	1	(CORD ARMOR D10.7)
*	62	500-408Z	CORD	1	(CORD ARMOR D8.2) FOR AUS

**STANDARD ACCESSORIES**

G 23MRU

ITEM NO.	CODE NO.	DESCRIPTION	NO. USED	REMARKS	
501	937-913Z	WRENCH	1		
* 502	937-917Z	WHEEL NUT (B)	1	FOR AUS	

**OPTIONAL ACCESSORIES**

ITEM NO.	CODE NO.	DESCRIPTION	NO. USED	REMARKS	
601	310-337	SUPER WASHER	1		
602	322-141	PIPE HANDLE	1		
603	985-597	BOLT M14	2	FOR PIPE HANDLE	