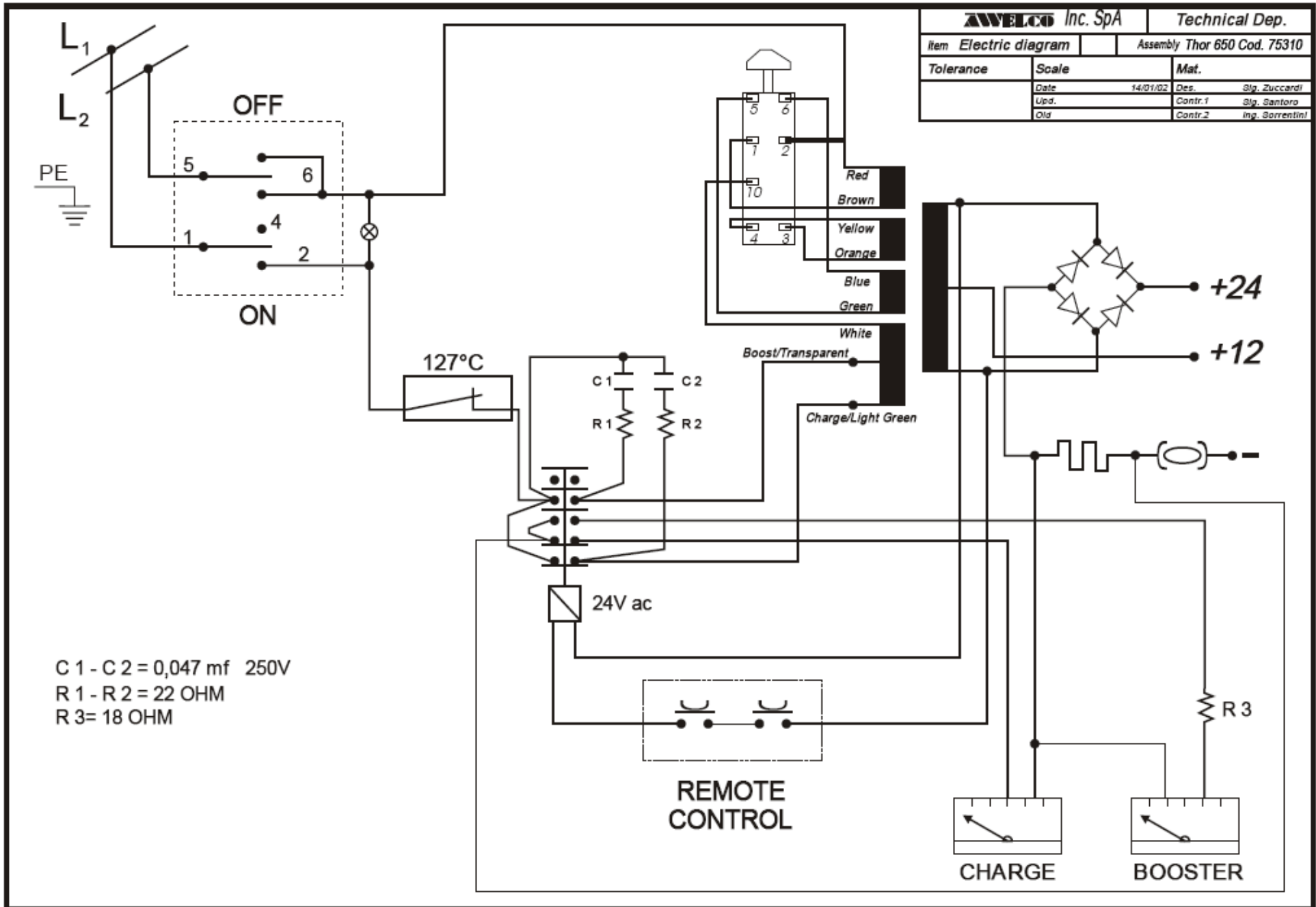


Tolerance	Scale	Mat.	
	Date 14/01/02	Des.	Slg. Zuccardi
	Upd.	Contr. 1	Slg. Santoro
	Old	Contr. 2	Ing. Sorrentini



C 1 - C 2 = 0,047 mf 250V
 R 1 - R 2 = 22 OHM
 R 3 = 18 OHM

REMOTE CONTROL

CHARGE

BOOSTER