

GB	ORIGINAL INSTRUCTIONS	6	RU	ОРИГИНАЛЬНОЕ РУКОВОДСТВО ПО ЭКСПЛУАТАЦИИ	54
F	NOTICE ORIGINALE	9	UA	ОРИГІНАЛЬНА ІНСТРУКЦІЯ З ЕКСПЛУАТАЦІЇ	58
D	ORIGINALBETRIEBSANLEITUNG	12	GR	ΠΡΩΤΟΤΥΠΟ ΟΔΗΓΙΩΝ ΧΡΗΣΗΣ	62
NL	ORIGINELE GEBRUIKSAANWIJZING	15	RO	INSTRUCȚIUNI DE FOLOSIRE ORIGINALE	66
S	BRUKSANVISNING I ORIGINAL	19	BG	ОРИГИНАЛНО РЪКОВОДСТВО ЗА ЕКСПЛОАТАЦИЯ	69
DK	ORIGINAL BRUGSANVISNING	22	SK	PŮVODNÝ NÁVOD NA POUŽITIE	73
N	ORIGINAL DRIFTSINSTRUKS.	25	HR	ORIGINALNE UPUTE ZA RAD	76
FIN	ALKUPERÄISET OHJEET	27	SRB	ORIGINALNO UPUTSTVO ZA RAD	79
E	MANUAL ORIGINAL	31	SLO	IZVIRNA NAVODILA	82
P	MANUAL ORIGINAL	34	EST	ALGUPÄRANE KASUTUSJUHEND	85
I	ISTRUZIONI ORIGINALI	37	LV	ORIĢINĀLĀ LIETOŠANAS PAMĀCĪBA	89
H	EREDETI HASZNÁLATI UTASÍTÁS	41	LT	ORIGINALI INSTRUKCIJA	92
CZ	PŮVODNÍM NÁVODEM K POUŽÍVÁNÍ	44			
TR	ORİJİNAL İŞLETME TALİMATI	47			
PL	INSTRUKCJĄ ORYGINALNĄ	51			

1 7660

1200
Watt

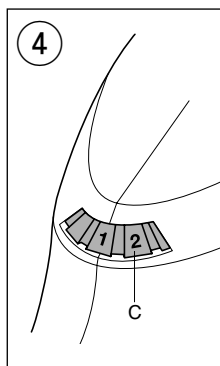
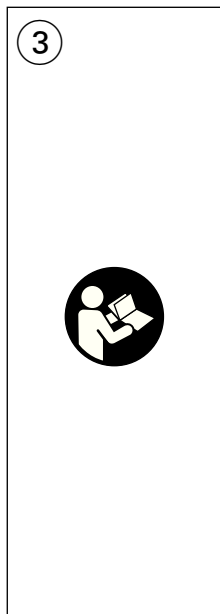
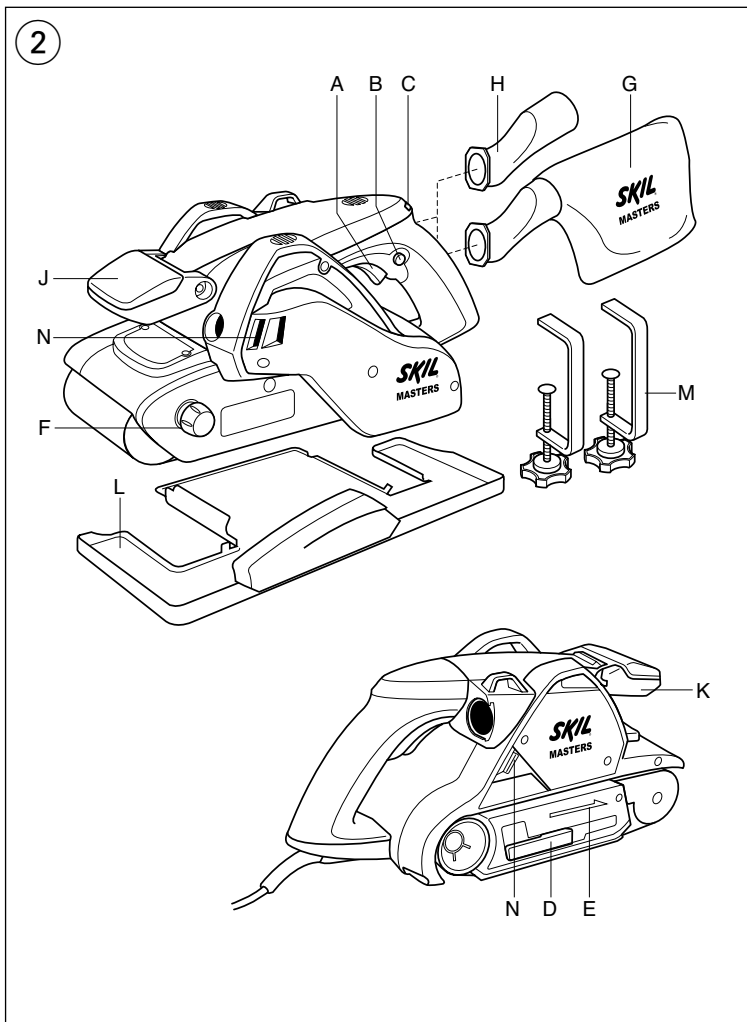
EPTA 01/2003
6,4 kg

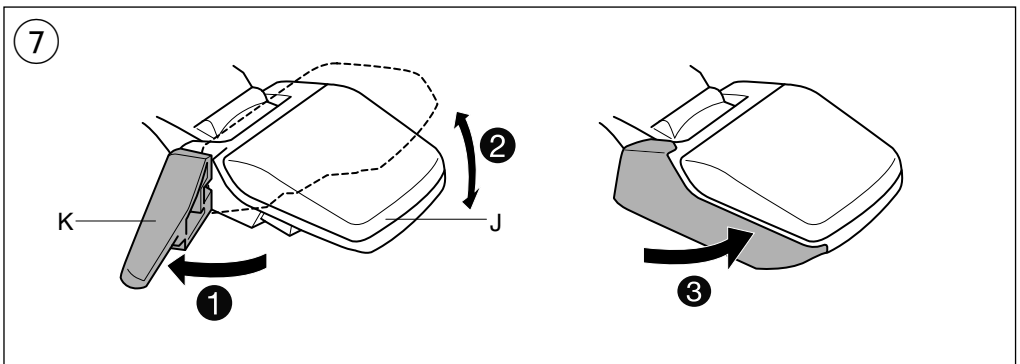
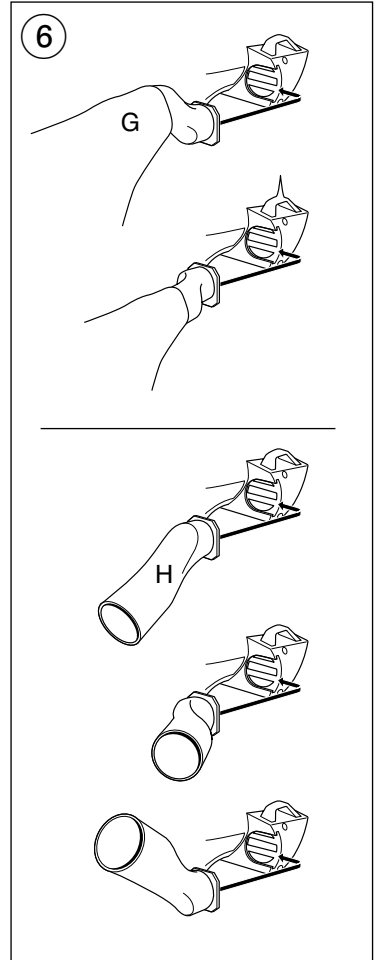
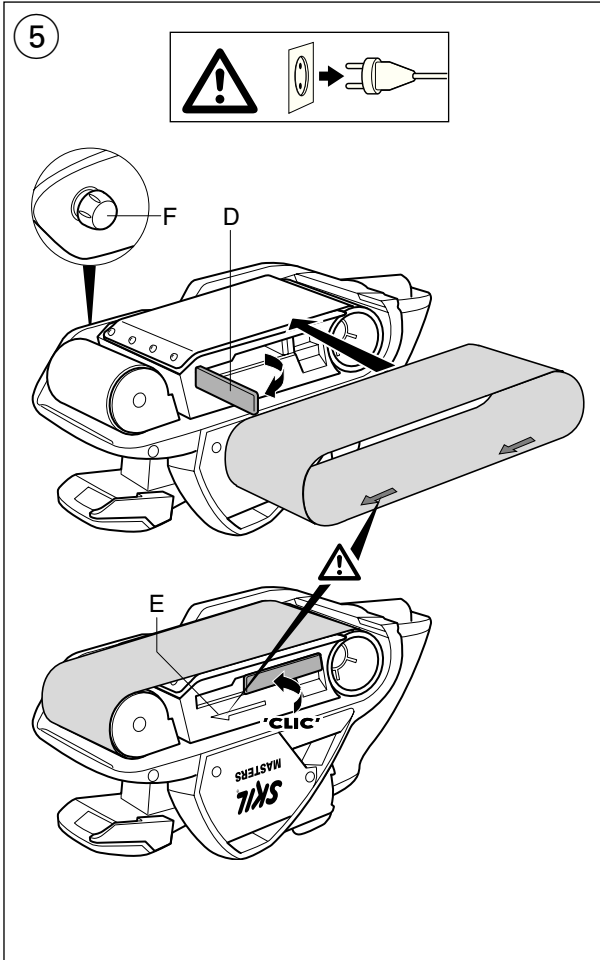
100 mm
610/620 mm

155x100 mm

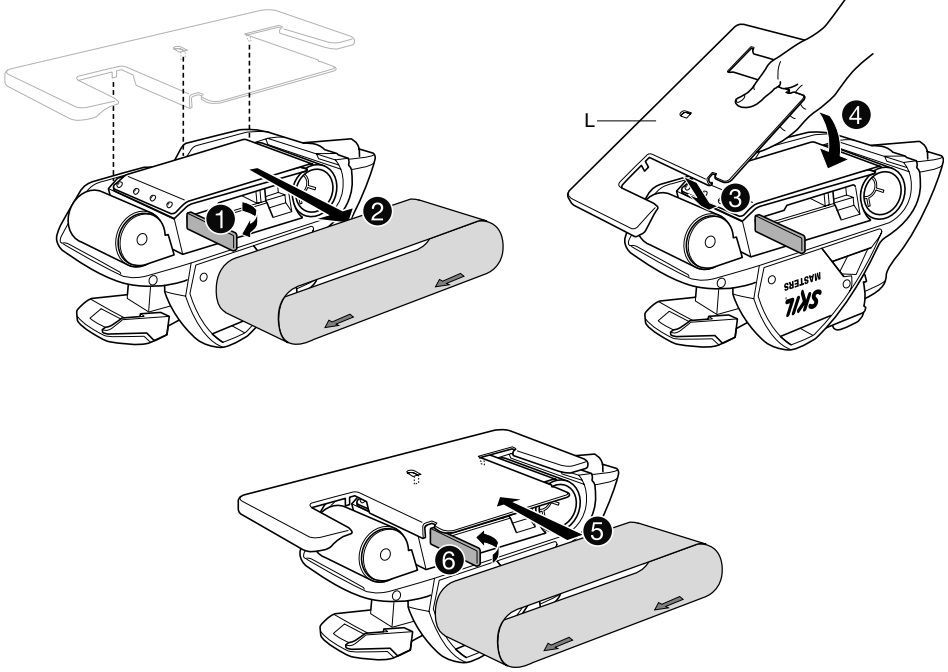
250-480 m/min

4 m
RUBBER

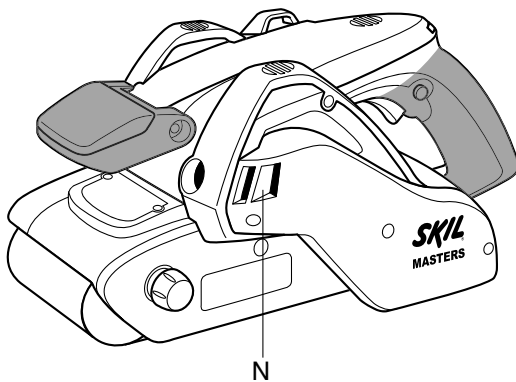




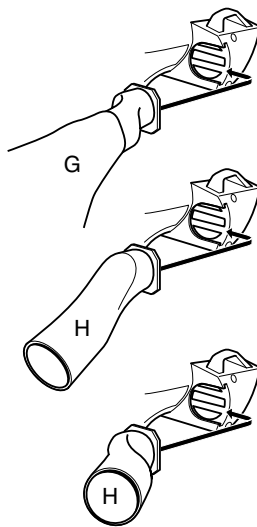
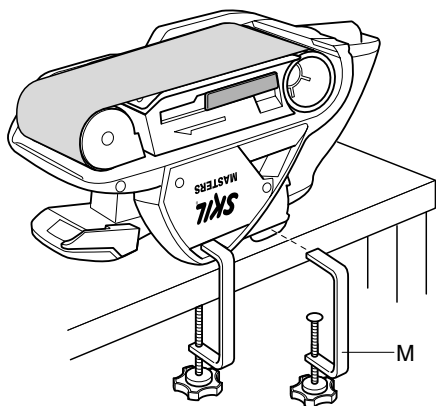
8



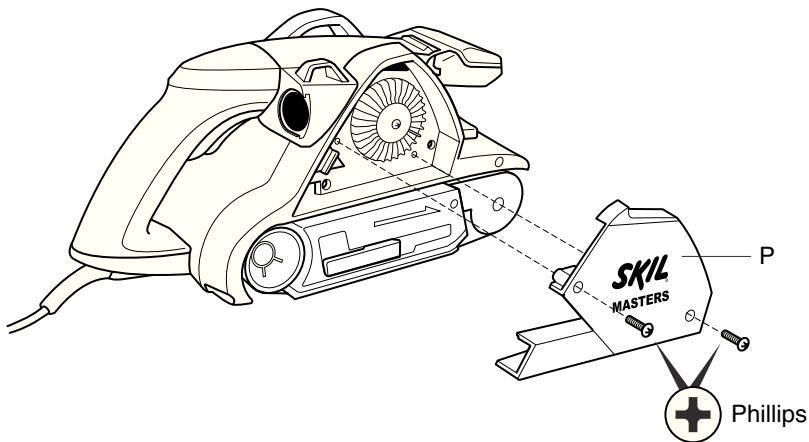
9



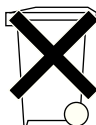
10



11



12



Belt sander

7660

INTRODUCTION

- This tool is intended for dry sanding with high removal performance of wood, plastic, metal, filler and painted surfaces
- Read and save this instruction manual ③

TECHNICAL SPECIFICATIONS ①

TOOL ELEMENTS ②

- A On/off switch
- B Knob for locking on/off switch
- C Sanding speed selection wheel
- D Lever for changing sanding belt
- E Arrow
- F Knob for adjusting belt centering
- G Dust bag
- H Vacuum cleaner adapter
- J Auxiliary handle
- K Lever for adjusting auxiliary handle
- L Sanding frame
- M Clamps for stationary use
- N Ventilation slots

SAFETY

GENERAL SAFETY INSTRUCTIONS

⚠ WARNING! Read all safety warnings and all instructions. Failure to follow the warnings and instructions may result in electric shock, fire and/or serious injury. **Save all warnings and instructions for future reference.** The term “power tool” in the warnings refers to your mains-operated (corded) power tool or battery-operated (cordless) power tool.

1) WORK AREA SAFETY

- a) **Keep work area clean and well lit.** Cluttered or dark areas invite accidents.
- b) **Do not operate power tools in explosive atmospheres, such as in the presence of flammable liquids, gases or dust.** Power tools create sparks which may ignite the dust or fumes.
- c) **Keep children and bystanders away while operating a power tool.** Distractions can cause you to lose control.

2) ELECTRICAL SAFETY

- a) **Power tool plugs must match the outlet. Never modify the plug in any way. Do not use any adapter plugs with earthed (grounded) power tools.** Unmodified plugs and matching outlets will reduce risk of electric shock.

- b) **Avoid body contact with earthed or grounded surfaces such as pipes, radiators, ranges and refrigerators.** There is an increased risk of electric shock if your body is earthed or grounded.
- c) **Do not expose power tools to rain or wet conditions.** Water entering a power tool will increase the risk of electric shock.
- d) **Do not abuse the cord. Never use the cord for carrying, pulling or unplugging the power tool. Keep cord away from heat, oil, sharp edges or moving parts.** Damaged or entangled cords increase the risk of electric shock.
- e) **When operating a power tool outdoors, use an extension cord suitable for outdoor use.** Use of an earth leakage circuit breaker reduces the risk of electric shock.
- f) **If operating a power tool in a damp location is unavoidable, use an earth leakage circuit breaker.** Use of an earth leakage circuit breaker reduces the risk of electric shock.

3) PERSONAL SAFETY

- a) **Stay alert, watch what you are doing and use common sense when operating a power tool. Do not use a power tool while you are tired or under the influence of drugs, alcohol or medication.** A moment of inattention while operating power tools may result in serious personal injury.
 - b) **Use personal protective equipment. Always wear eye protection.** Protective equipment such as dust mask, non-skid safety shoes, hard hat, or hearing protection used for appropriate conditions will reduce personal injuries.
 - c) **Prevent unintentional starting. Ensure the switch is in the off-position before connecting to power source and/or battery pack, picking up or carrying the tool.** Carrying power tools with your finger on the switch or energising power tools that have the switch on invites accidents.
 - d) **Remove any adjusting key or wrench before turning the power tool on.** A wrench or a key left attached to a rotating part of the power tool may result in personal injury.
 - e) **Do not overreach. Keep proper footing and balance at all times.** This enables better control of the power tool in unexpected situations.
 - f) **Dress properly. Do not wear loose clothing or jewellery. Keep your hair, clothing and gloves away from moving parts.** Loose clothes, jewellery or long hair can be caught in moving parts.
 - g) **If devices are provided for the connection of dust extraction and collection facilities, ensure these are connected and properly used.** Use of dust collection can reduce dust-related hazards.
- #### 4) POWER TOOL USE AND CARE
- a) **Do not force the power tool. Use the correct power tool for your application.** The correct power tool will do the job better and safer at the rate for which it was designed.

- b) **Do not use the power tool if the switch does not turn it on and off.** Any power tool that cannot be controlled with the switch is dangerous and must be repaired.
- c) **Disconnect the plug from the power source and/or the battery pack from the power tool before making any adjustments, changing accessories, or storing power tools.** Such preventive safety measures reduce the risk of starting the power tool accidentally.
- d) **Store idle power tools out of the reach of children and do not allow persons unfamiliar with the power tool or these instructions to operate the power tool.** Power tools are dangerous in the hands of untrained users.
- e) **Maintain power tools. Check for misalignment or binding of moving parts, breakage of parts and any other condition that may affect the power tool's operation. If damaged, have the power tool repaired before use.** Many accidents are caused by poorly maintained power tools.
- f) **Keep cutting tools sharp and clean.** Properly maintained cutting tools with sharp cutting edges are less likely to bind and are easier to control.
- g) **Use the power tool, accessories and tool bits etc., in accordance with these instructions, taking into account the working conditions and the work to be performed.** Use of the power tool for operations different from those intended could result in a hazardous situation.

5) SERVICE

- a) **Have your power tool serviced by a qualified repair person using only identical replacement parts.** This will ensure that the safety of the power tool is maintained.

SAFETY INSTRUCTIONS FOR SANDERS

- Avoid damage that can be caused by screws, nails and other elements in your workpiece; remove them before you start working
- Always keep the cord away from moving parts of the tool; direct the cord to the rear, away from the tool
- **Secure the workpiece** (a workpiece clamped with clamping devices or in a vice is held more securely than by hand)
- When you put away the tool, switch off the motor and ensure that all moving parts have come to a complete standstill
- Use completely unrolled and safe extension cords with a capacity of 16 Amps (U.K. 13 Amps)
- In case of electrical or mechanical malfunction, immediately switch off the tool and disconnect the plug
- SKIL can assure flawless functioning of the tool only when the correct accessories are used which can be obtained from your SKIL dealer
- This tool should not be used by people under the age of 16 years
- The noise level when working can exceed 85 dB(A); wear ear protection

- **Hold power tool by insulated gripping surfaces, because the belt may contact its own cord** (cutting a "live" wire may make exposed metal parts of the power tool "live" and could give the operator an electric shock)
 - If the cord is damaged or cut through while working, do not touch the cord, but immediately disconnect the plug
 - Never use the tool when cord is damaged; have it replaced by a qualified person
 - Always check that the supply voltage is the same as the voltage indicated on the nameplate of the tool (tools with a rating of 230V or 240V can also be connected to a 220V supply)
 - This tool is not suitable for wet sanding
 - **Do not work materials containing asbestos** (asbestos is considered carcinogenic)
 - Dust from material such as paint containing lead, some wood species, minerals and metal may be harmful (contact with or inhalation of the dust may cause allergic reactions and/or respiratory diseases to the operator or bystanders); **wear a dust mask and work with a dust extraction device when connectable**
 - Certain kinds of dust are classified as carcinogenic (such as oak and beech dust) especially in conjunction with additives for wood conditioning; **wear a dust mask and work with a dust extraction device when connectable**
 - Follow the dust-related national requirements for the materials you want to work with
 - When sanding metal, sparks are generated; do not use dustbag/vacuum cleaner and keep other persons and combustible material from work area
 - Do not touch the running sanding belt
 - Do not continue to use worn, torn or heavily clogged sanding belts
 - Wear protective gloves, safety glasses, close-fitting clothes and hair protection (for long hair)
 - **Always disconnect plug from power source before making any adjustment or changing any accessory**
- WHEN CONNECTING NEW 3-PIN PLUG (U.K. ONLY):
- Do not connect the blue (= neutral) or brown (= live) wire in the cord of this tool to the earth terminal of the plug
 - If for any reason the old plug is cut off the cord of this tool, it must be disposed of safely and not left unattended

USE

- On/off switch
 - switch on/off the tool by pulling/releasing trigger A ②
- ! **before the sanding surface reaches the workpiece, you should switch on the tool**
- ! **before switching off the tool, you should lift it from the workpiece**
- Switch locking for continuous use
 - pull trigger A ②
 - press knob B ② with your thumb
 - release the trigger
 - unlock the switch by pulling again trigger A ② and then releasing it

- Speed control ④
For optimal sanding results on different materials
 - with wheel C you can set the desired sanding speed
 - adjust speed to grit size used
 - before starting a job, find the optimal speed and grit by testing out on spare material
- Changing of sanding belts ⑤
 - ! **disconnect the plug**
 - lift lever D
 - remove sanding belt
 - insert new belt with arrows printed at inner side of belt pointing in same direction as arrow E on tool
 - push lever back
 - ! **change sanding belts in time**
 - ! **never fold sanding belts**
 - In case belt runs off tool (mostly caused by inferior belt quality), you should
 - switch on the tool
 - turn knob F ② till the sanding belt is running in line with the flat side of the tool
 - use new belt, if belt still runs off tool
- Dust suction ⑥
 - mount dustbag G as illustrated (2 positions)
 - empty dustbag regularly for optimal dust pick-up performance
 - when using tool with vacuum cleaner, mount vacuum cleaner adaptor H as illustrated (3 positions)
 - ! **do not use dustbag/vacuum cleaner when sanding metal**
- Auxiliary handle ⑦
Use lever K for adjusting auxiliary handle J (2 positions)
- Mounting of sanding frame ⑧
 - mount sanding frame L for equalizing surfaces without scratches or grooves, and ensure it is in place securely
 - ! **sanding frame L becomes hot during use; do not touch it before it has cooled down**
 - ! **remove sanding frame L before storing the tool**
- Holding and guiding the tool ⑨
 - guide the tool parallel to the working surface
 - ! **while working, always hold the tool at the grey-coloured grip area(s)**
 - ! **do not apply too much pressure on the tool; let the sanding surface do the work for you**
 - do not tilt the tool in order to avoid unwanted sanding marks
 - keep ventilation slots N ② uncovered

APPLICATION ADVICE

- For sanding bare wood surfaces move the tool in straight movements in line with the grain
- For sanding all other surfaces move the tool in oval movements over the material
- For stationary use mount tool on workbench by means of 2 clamps M
 - ! **mount dustbag G as illustrated**
 - ! **mount vacuum cleaner adaptor H as illustrated**
- Never use the same sanding belt for wood and metal

- Vibration level
The vibration emission level stated at the back of this instruction manual has been measured in accordance with a standardised test given in EN 60745; it may be used to compare one tool with another and as a preliminary assessment of exposure to vibration when using the tool for the applications mentioned
 - using the tool for different applications, or with different or poorly maintained accessories, may significantly **increase** the exposure level
 - the times when the tool is switched off or when it is running but not actually doing the job, may significantly **reduce** the exposure level
- ! **protect yourself against the effects of vibration by maintaining the tool and its accessories, keeping your hands warm, and organizing your work patterns**

MAINTENANCE / SERVICE

- Always keep tool and cord clean (especially the ventilation slots N ②)
 - remove adhering sanding dust with a brush
 - ! **disconnect the plug before cleaning**
- Should the dust suction not function properly anymore, you may open housing part P as illustrated and remove possible accumulated sanding dust ⑩
 - ! **disconnect the plug before cleaning**
- If the tool should fail despite the care taken in manufacturing and testing procedures, repair should be carried out by an after-sales service centre for SKIL power tools
 - send the tool **undismantled** together with proof of purchase to your dealer or the nearest SKIL service station (addresses as well as the service diagram of the tool are listed on www.skileurope.com)

ENVIRONMENT

- **Do not dispose of electric tools, accessories and packaging together with household waste material** (only for EU countries)
 - in observance of European Directive 2002/96/EC on waste of electric and electronic equipment and its implementation in accordance with national law, electric tools that have reached the end of their life must be collected separately and returned to an environmentally compatible recycling facility
 - symbol ⑫ will remind you of this when the need for disposing occurs

Ponceuse à bande

7660

INTRODUCTION

- Cet outil est conçu pour le ponçage à sec avec une grande capacité à enlever la matière du bois, plastique, métal et mastic et des surfaces peintes
- Lisez et conservez ce manuel d'instructions ③

SPECIFICATIONS TECHNIQUES ①

ELEMENTS DE L'OUTIL ②

- A Interrupteur marche/arrêt
- B Bouton de verrouillage de l'interrupteur marche/arrêt
- C Molette de réglage de la vitesse de ponçage
- D Levier pour changer la bande de ponçage
- E Flèche
- F Bouton de réglage du centrage de la bande
- G Sac à poussière
- H Adaptateur de l'aspirateur
- J Poignée auxiliaire
- K Levier pour régler la poignée auxiliaire
- L Support de ponçage
- M Serre-joints pour une utilisation en position stationnaire
- N Fentes de ventilation

SECURITE

INSTRUCTIONS GENERALES DE SECURITE

ATTENTION! Lisez tous les avertissements de sécurité et toutes les instructions. Ne pas suivre les avertissements et instructions peut entraîner un choc électrique, un incendie et/ou de graves blessures sur les personnes. **Conservez tous les avertissements et toutes les instructions pour pouvoir s'y reporter ultérieurement.** La notion d'"outil électroportatif" dans les avertissements se rapporte à des outils électriques raccordés au secteur (avec câble de raccordement) et à des outils électriques à batterie (sans câble de raccordement).

1) SECURITE DE LA ZONE DE TRAVAIL

- a) **Maintenez l'endroit de travail propre et bien éclairé.**
Un lieu de travail en désordre ou mal éclairé augmente le risque d'accidents.
- b) **N'utilisez pas l'outil dans un environnement présentant des risques d'explosion et où se trouvent des liquides, des gaz ou poussières inflammables.**
Les outils électroportatifs génèrent des étincelles risquant d'enflammer les poussières ou les vapeurs.
- c) **Tenez les enfants et autres personnes éloignés durant l'utilisation de l'outil électroportatif.**
En cas d'inattention vous risquez de perdre le contrôle sur l'outil.

2) SECURITE RELATIVE AU SYSTEME ELECTRIQUE

- a) **La fiche de secteur de l'outil électroportatif doit être appropriée à la prise de courant. Ne modifiez en aucun cas la fiche. N'utilisez pas de fiches d'adaptateur avec des outils avec mise à la terre.**
Les fiches non modifiées et les prises de courant appropriées réduisent le risque de choc électrique.
- b) **Évitez le contact physique avec des surfaces mises à la terre telles que tuyaux, radiateurs, fours et réfrigérateurs.** Il y a un risque élevé de choc électrique au cas où votre corps serait relié à la terre.
- c) **N'exposez pas l'outil électroportatif à la pluie ou à l'humidité.** La pénétration d'eau dans un outil électroportatif augmente le risque d'un choc électrique.
- d) **N'utilisez pas le câble à d'autres fins que celles prévues, n'utilisez pas le câble pour porter l'outil ou pour l'accrocher ou encore pour le débrancher de la prise de courant. Maintenez le câble éloigné des sources de chaleur, des parties grasses, des bords tranchants ou des parties de l'outil en rotation.**
Un câble endommagé ou torsadé augmente le risque d'un choc électrique.
- e) **Au cas où vous utiliseriez l'outil électroportatif à l'extérieur, utilisez une rallonge autorisée homologuée pour les applications extérieures.**
L'utilisation d'une rallonge électrique homologuée pour les applications extérieures réduit le risque d'un choc électrique.
- f) **Si l'usage d'un outil dans un emplacement humide est inévitable, utilisez un disjoncteur de fuite à la terre.** L'utilisation d'un disjoncteur de fuite à la terre réduit le risque de choc électrique.

3) SECURITE DES PERSONNES

- a) **Restez vigilant, surveillez ce que vous faites. Faites preuve de bon sens en utilisant l'outil électroportatif. N'utilisez pas l'outil lorsque vous êtes fatigué ou après avoir consommé de l'alcool, des drogues ou avoir pris des médicaments.**
Un moment d'inattention lors de l'utilisation de l'outil peut entraîner de graves blessures sur les personnes.
- b) **Portez des équipements de protection. Portez toujours des lunettes de protection.** Le fait de porter des équipements de protection personnels tels que masque anti-poussières, chaussures de sécurité antidérapantes, casque de protection ou protection acoustique suivant le travail à effectuer, réduit le risque de blessures.
- c) **Évitez tout démarrage intempestif. S'assurez que l'interrupteur est en position arrêt avant de brancher l'outil au secteur et/ou au bloc de batteries, de le ramasser ou de le porter.** Porter les outils en ayant le doigt sur l'interrupteur ou brancher des outils dont l'interrupteur est en position marche est source d'accidents.
- d) **Enlevez tout outil de réglage ou toute clé avant de mettre l'outil en fonctionnement.** Une clé ou un outil se trouvant sur une partie en rotation peut causer des blessures.

- e) **Ne surestimez pas vos capacités. Veillez à garder toujours une position stable et équilibrée.** Ceci vous permet de mieux contrôler l'outil dans des situations inattendues.
- f) **Portez des vêtements appropriés. Ne portez pas de vêtements amples ni de bijoux. Maintenez cheveux, vêtements et gants éloignés des parties de l'outil en rotation.** Des vêtements amples, des bijoux ou des cheveux longs peuvent être happés par des pièces en mouvement.
- g) **Si des dispositifs servant à aspirer ou à recueillir les poussières doivent être utilisés, vérifiez que ceux-ci soient effectivement raccordés et qu'ils sont correctement utilisés.** L'utilisation des collecteurs de poussière réduit les dangers dus aux poussières.
- 4) UTILISATION ET EMPLOI SOIGNEUX DE L'OUTIL ELECTROPORTATIF**
- a) **Ne surchargez pas l'outil. Utilisez l'outil électroportatif approprié au travail à effectuer.**
Avec l'outil électroportatif approprié, vous travaillerez mieux et avec plus de sécurité à la vitesse pour laquelle il est prévu.
- b) **N'utilisez pas un outil électroportatif dont l'interrupteur est défectueux.** Un outil électroportatif qui ne peut plus être mis en ou hors fonctionnement est dangereux et doit être réparé.
- c) **Débranchez la fiche de la source d'alimentation en courant et/ou le bloc de batteries de l'outil avant tout réglage, changement d'accessoires ou avant de ranger l'outil.** Cette mesure de précaution empêche une mise en fonctionnement par mégarde.
- d) **Gardez les outils électroportatifs non utilisés hors de portée des enfants. Ne permettez pas l'utilisation de l'outil à des personnes qui ne se sont pas familiarisées avec celui-ci ou qui n'ont pas lu ces instructions.** Les outils électroportatifs sont dangereux lorsqu'ils sont utilisés par des personnes non initiées.
- e) **Prenez soin des outils électroportatifs. Vérifiez que les parties en mouvement fonctionnent correctement et qu'elles ne soient pas coincées, et contrôlez si des parties sont cassées ou endommagées de telle sorte que le bon fonctionnement de l'outil s'en trouve entravé. Faites réparer les parties endommagées avant d'utiliser l'outil.** De nombreux accidents sont dus à des outils électroportatifs mal entretenus.
- f) **Maintenez les outils de coupe aiguisés et propres.** Des outils soigneusement entretenus avec des bords tranchants bien aiguisés se coincent moins souvent et peuvent être guidés plus facilement.
- g) **Utilisez les outils électroportatifs, les accessoires, les outils à monter etc. conformément à ces instructions en tenant compte des conditions de travail et du travail à effectuer.** L'utilisation des outils électroportatifs à d'autres fins que celles prévues peut entraîner des situations dangereuses.

5) SERVICE

- a) **Ne faites réparer votre outil que par un personnel qualifié et seulement avec des pièces de rechange d'origine.** Ceci permet d'assurer la sécurité de l'outil.

INSTRUCTIONS DE SECURITE POUR PONCEUSES

- Faites attention aux vis, clous ou autres éléments qui pourraient se trouver dans la pièce à travailler et qui risqueraient d'endommager très fortement votre outil; enlevez-les avant de commencer le travail
- Tenez toujours le câble éloigné des parties mobiles de l'outil; orientez le câble vers l'arrière le plus loin possible de l'outil
- Fixez solidement la pièce à travailler** (une pièce fixée à l'aide de dispositifs de fixation est davantage assurée que si elle était tenue à la main)
- Lorsque vous rangez votre outil, le moteur doit être coupé et les pièces mobiles complètement arrêtées
- Utilisez un câble de prolongement complètement déroulé et de bonne qualité d'une capacité de 16 A
- En cas de dysfonctionnement électrique ou mécanique, mettez directement l'outil hors service et débranchez la fiche
- SKIL ne peut se porter garant du bon fonctionnement de cet outil que s'il a été utilisé avec les accessoires appropriés en vente chez votre distributeur SKIL
- Cet outil ne doit pas être utilisé par des personnes de moins de 16 ans
- Le niveau sonore en fonctionnement peut dépasser 85 dB(A); munissez-vous de casques anti-bruit
- Tenez l'outil aux poignées isolées, car la bande peut entrer en contact avec son propre câble** (couper un fil sous tension peut mettre sous tension les parties métalliques exposées, ce qui pourrait électrocuter l'utilisateur)
- Si le câble est endommagé ou rompu pendant le travail, n'y touchez pas, mais débranchez immédiatement la prise
- N'utilisez jamais d'outil avec un câble endommagé; faites-le remplacer par un technicien qualifié
- Contrôlez toujours si la tension secteur correspond à la tension indiquée sur la plaquette signalétique de l'outil (les outils conçus pour une tension de 230V ou 240V peuvent également être branchés sur 220V)
- Cet outil ne convient pas pour des surfaces à poncer imperméabilisées
- Ne travaillez pas de matériaux contenant de l'amiante** (l'amiante est considérée comme étant cancérigène)
- La poussière de matériaux, tels que la peinture contenant du plomb, certaines espèces de bois, certains minéraux et différents métaux, peut être nocive (le contact avec la poussière ou son inhalation peut provoquer des réactions allergiques et/ou des maladies respiratoires chez l'opérateur ou des personnes se trouvant à proximité); **portez un masque antipoussières et travaillez avec un appareil de dépoussiérage lorsqu'il est possible d'en connecter un**

- Certains types de poussières sont classifiés comme étant cancérigènes (tels que la poussière de chêne ou de hêtre), en particulier en combinaison avec des additifs de traitement du bois; **portez un masque antipoussières et travaillez avec un appareil de dépoussiérage lorsqu'il est possible d'en connecter un**
- Suivez les directives nationales relatives au dépoussiérage pour les matériaux à travailler
- Lorsque vous poncez du métal, des étincelles se produisent; n'utilisez pas le sac à poussière/l'aspirateur et tenez toute autre personne ou tout matériel combustible éloignés de votre lieu de travail
- Ne touchez pas la bande de ponçage en rotation
- les bandes de ponçage usées, fissurées ou fortement encrassées
- Portez des gants de protection, des lunettes de protection, des vêtements près du corps et un protège cheveux (pour des cheveux longs)
- **Débranchez toujours l'outil avant tout réglage ou changement d'accessoire**

UTILISATION

- Interrupteur marche/arrêt
 - mettez en marche/arrêtez votre outil en poussant/relâchant la gâchette A ②
 - ! **l'outil doit être mis en marche avant que la surface de ponçage ne touche la pièce à poncer**
 - ! **avant d'arrêter l'outil, vous devriez le soulever de la pièce à travailler**
- Blocage de l'interrupteur pour marche continue
 - appuyez sur la gâchette A ②
 - poussez le bouton B ② à l'aide du pouce
 - relâchez la gâchette
 - déverrouillez l'interrupteur en appuyant à nouveau sur la gâchette A ②
- Contrôle de la vitesse ④

Afin d'obtenir les meilleurs résultats sur toutes les surfaces

 - la molette C vous permet de régler la vitesse de ponçage désirée
 - ajustez la vitesse en fonction de la surface à poncer
 - avant de commencer un travail, trouvez la vitesse et grain approprié et poncez sur une petite surface pour tester l'efficacité
- Changement des bandes de ponçage ⑤
 - ! **débranchez la fiche**
 - soulevez le levier D
 - démontez la bande de ponçage
 - insérez la nouvelle bande, les flèches imprimées à l'intérieur de la bande pointées dans le même direction que la flèche E située sur l'outil
 - rabaissez le levier
 - ! **procédez à temps au changement des bandes de ponçage**
 - ! **ne jamais pliez les bandes de ponçage**

Au cas où la bande se déroule de l'outil (généralement suite à une qualité inférieure de bande):

 - mettez en marche l'outil

- tournez le bouton F ② jusqu'à ce que la bande de ponçage s'aligne avec le côté plat de l'outil
- renouvelez la bande dans le cas où elle continue à se dérouler de l'outil
- Aspiration de poussières ⑥
 - montez le sac à poussières G comme illustré (2 positions)
 - vider le sac à poussières régulièrement pour une récupération optimale des poussières
 - lorsque vous utilisez l'outil avec un aspirateur, montez l'adaptateur de l'aspirateur H comme illustré (3 positions)
 - ! **n'utilisez pas le sac à poussière/l'aspirateur pour le ponçage des métaux**
- Poignée auxiliaire ⑦

Utilisez le levier K pour régler la poignée auxiliaire J (2 positions)
- Montage du support de ponçage ⑧
 - installez le support de ponçage L pour poncer les surfaces sans produire de rayures, et vérifiez qu'il est bien enclenché
 - ! **à l'usage, le support de ponçage L s'échauffe; ne pas y toucher avant qu'il ne se soit refroidi**
 - ! **retirez le support de ponçage L avant de ranger l'outil**
- Tenue et guidage de l'outil ⑨
 - le guidage doit se faire parallèlement à la surface à travailler
 - ! **lorsque vous travaillez, tenez toujours l'outil par la(les) zone(s) de couleur grise**
 - ! **n'appliquez pas une pression excessive sur l'outil; le ponçage se fait de lui-même**
 - n'inclinez pas trop l'outil pour éviter toute marque de ponçage
 - veillez à ce que les fentes de ventilation N ② soient découvertes

CONSEILS D'UTILISATION

- Pour poncer des surfaces de bois nu, déplacez l'outil en mouvements droits dans le sens du grain
- Pour poncer toutes les autres surfaces, faites des mouvements circulaires
- Pour une utilisation en position stationnaire, placez l'outil sur l'établi au moyen de 2 serre-joints M
 - ! **montez le sac à poussières G comme illustré**
 - ! **montez l'adaptateur de l'aspirateur H comme illustré**
- Ne jamais travaillez le bois et le métal avec une même bande de ponçage
- Niveau de vibrations

Le niveau de vibrations émises indiqué au dos de ce manuel d'instruction a été mesuré conformément à l'essai normalisé de la norme EN 60745; il peut être utilisé pour comparer plusieurs outils et pour réaliser une évaluation préliminaire de l'exposition aux vibrations lors de l'utilisation de l'outil pour les applications mentionnées

- l'utilisation de l'outil dans d'autres applications, ou avec des accessoires différents ou mal entretenus, peut considérablement **augmenter** le niveau d'exposition
 - la mise hors tension de l'outil et sa non-utilisation pendant qu'il est allumé peuvent considérablement **réduire** le niveau d'exposition
- ! protégez-vous contre les effets des vibrations par un entretien correct de l'outil et de ses accessoires, en gardant vos mains chaudes et en structurant vos schémas de travail**

ENTRETIEN / SERVICE APRES-VENTE

- Gardez toujours votre outil et le câble propres (spécialement les aérations N ②)
 - éliminez les poussières de ponçage qui adhèrent à l'outil avec un pinceau
- ! débranchez la fiche avant le nettoyage**
- Si l'aspiration de poussière ne fonctionne plus correctement, ouvrez le carter P comme illustré et retirez les éventuelles poussières de ponçage qui s'y sont accumulées ①
 - ! débranchez la fiche avant le nettoyage**
- Si, malgré tous les soins apportés à la fabrication et au contrôle de l'outil, celui-ci devait avoir un défaut, la réparation ne doit être confiée qu'à une station de service après-vente agréée pour outillage SKIL
 - retournez l'outil **non démonté** avec votre preuve d'achat au revendeur ou au centre de service après-vente SKIL le plus proche (les adresses ainsi que la vue éclatée de l'outil figurent sur www.skileurope.com)

ENVIRONNEMENT

- **Ne jetez pas les outils électriques, les accessoires et l'emballage dans les ordures ménagères** (pour les pays européens uniquement)
 - conformément à la directive européenne 2002/96/EG relative aux déchets d'équipements électriques ou électroniques, et à sa transposition dans la législation nationale, les outils électriques usés doivent être collectés séparément et faire l'objet d'un recyclage respectueux de l'environnement
 - le symbole ⑫ vous le rappellera au moment de la mise au rebut de l'outil

D

Bandschleifer

7660

EINLEITUNG

- Dieses Werkzeug ist bestimmt zum trockenen Schleifen mit hoher Abtragsleistung von Holz, Kunststoff, Metall, Spachtelmasse und lackierten Oberflächen
- Bitte diese Bedienungsanleitung sorgfältig lesen und aufbewahren ③

TECHNISCHE DATEN ①

WERKZEUGKOMPONENTEN ②

- A Ein/Aus-Schalter
- B Knopf zum Verriegeln des Ein/Aus-Schalters
- C Schleifgeschwindigkeitsrad
- D Hebel zum Wechseln des Schleifbands
- E Pfeil
- F Knopf zum Justieren der Bandzentrierung
- G Staubbeutel
- H Staubsaugeranschluß
- J Zusatzgriff
- K Hebel zur Zusatzgriffregelung
- L Schleifrahmen
- M Klemmen für stationäres Gebrauch
- N Lüftungsschlitze

SICHERHEIT

ALLGEMEINE SICHERHEITSHINWEISE

⚠ ACHTUNG! Lesen Sie alle Sicherheitshinweise und Anweisungen. Versäumnisse bei der Einhaltung der Sicherheitshinweise und Anweisungen können elektrischen Schlag, Brand und/oder schwere Verletzungen verursachen. **Bewahren Sie alle Sicherheitshinweise und Anweisungen für die Zukunft auf.** Der in den Sicherheitshinweisen verwendete Begriff "Elektrowerkzeug" bezieht sich auf netzbetriebene Elektrowerkzeuge (mit Netzkabel) und auf akkubetriebene Elektrowerkzeuge (ohne Netzkabel).

1) ARBEITSPLATZSICHERHEIT

- a) **Halten Sie Ihren Arbeitsbereich sauber und aufgeräumt.** Unordnung oder unbeleuchtete Arbeitsbereiche können zu Unfällen führen.
- b) **Arbeiten Sie mit dem Gerät nicht in explosionsgefährdeter Umgebung, in der sich brennbare Flüssigkeiten, Gase oder Stäube befinden.** Elektrowerkzeuge erzeugen Funken, die den Staub oder die Dämpfe entzünden können.
- c) **Halten Sie Kinder und andere Personen während der Benutzung des Elektrowerkzeugs fern.** Bei Ablenkung können Sie die Kontrolle über das Gerät verlieren.

2) ELEKTRISCHE SICHERHEIT

- a) **Der Anschlussstecker des Gerätes muss in die Steckdose passen. Der Stecker darf in keiner Weise verändert werden. Verwenden Sie keine Adapterstecker gemeinsam mit geschützten Geräten.** Unveränderte Stecker und passende Steckdosen verringern das Risiko eines elektrischen Schlages.
- b) **Vermeiden Sie Körperkontakt mit geerdeten Oberflächen, wie von Rohren, Heizungen, Herden und Kühlschränken.** Es besteht ein erhöhtes Risiko durch elektrischen Schlag, wenn Ihr Körper geerdet ist.

- c) **Halten Sie das Gerät von Regen oder Nässe fern.** Das Eindringen von Wasser in ein Elektrogerät erhöht das Risiko eines elektrischen Schlages.
- d) **Zweckentfremden Sie das Kabel nicht, um das Gerät zu tragen, aufzuhängen oder um den Stecker aus der Steckdose zu ziehen. Halten Sie das Kabel fern von Hitze, Öl, scharfen Kanten oder sich bewegendem Geräteteilen.** Beschädigte oder verwickelte Kabel erhöhen das Risiko eines elektrischen Schlages.
- e) **Wenn Sie mit einem Elektrowerkzeug im Freien arbeiten, verwenden Sie nur Verlängerungskabel, die auch für den Außenbereich zugelassen sind.** Die Anwendung eines für den Außenbereich geeigneten Verlängerungskabels verringert das Risiko eines elektrischen Schlages.
- f) **Wenn der Betrieb des Elektrowerkzeuges in feuchter Umgebung nicht vermeidbar ist, verwenden Sie einen Fehlerstromschutzschalter.** Der Einsatz eines Fehlerstromschutzschalters vermindert das Risiko eines elektrischen Schlages.

3) SICHERHEIT VON PERSONEN

- a) **Seien Sie aufmerksam, achten Sie darauf, was Sie tun, und gehen Sie mit Vernunft an die Arbeit mit einem Elektrowerkzeug. Benutzen Sie das Gerät nicht, wenn Sie müde sind oder unter dem Einfluss von Drogen, Alkohol oder Medikamenten stehen.** Ein Moment der Unachtsamkeit beim Gebrauch des Gerätes kann zu ernsthaften Verletzungen führen.
- b) **Tragen Sie persönliche Schutzausrüstung und immer eine Schutzbrille.** Das Tragen persönlicher Schutzausrüstung, wie Staubmaske, rutschfeste Sicherheitsschuhe, Schutzhelm oder Gehörschutz, je nach Art und Einsatz des Elektrowerkzeuges, verringert das Risiko von Verletzungen.
- c) **Vermeiden Sie eine unbeabsichtigte Inbetriebnahme. Vergewissern Sie sich, dass das Elektrowerkzeug ausgeschaltet ist, bevor Sie es an die Stromversorgung und/oder den Akku anschließen, es aufnehmen oder tragen.** Wenn Sie beim Tragen des Elektrowerkzeuges den Finger am Schalter haben oder das Gerät eingeschaltet an die Stromversorgung anschließen, kann dies zu Unfällen führen.
- d) **Entfernen Sie Einstellwerkzeuge oder Schraubenschlüssel, bevor Sie das Gerät einschalten.** Ein Werkzeug oder Schlüssel, der sich in einem drehenden Geräteteil befindet, kann zu Verletzungen führen.
- e) **Überschätzen Sie sich nicht. Sorgen Sie für einen sicheren Stand und halten Sie jederzeit das Gleichgewicht.** Dadurch können Sie das Gerät in unerwarteten Situationen besser kontrollieren.
- f) **Tragen Sie geeignete Kleidung. Tragen Sie keine weite Kleidung oder Schmuck. Halten Sie Haare, Kleidung und Handschuhe fern von sich bewegendem Teilen.** Lockere Kleidung, Schmuck oder lange Haare können von sich bewegendem Teilen erfasst werden.

- g) **Wenn Staubabsaug- und -auffangeinrichtungen montiert werden können, vergewissern Sie sich, dass diese angeschlossen sind und richtig verwendet werden.** Verwendung einer Staubabsaugung verringert Gefährdungen durch Staub.

4) SORGFÄLTIGER UMGANG UND GEBRAUCH VON ELEKTROWERKZEUGEN

- a) **Überlasten Sie das Gerät nicht. Verwenden Sie für Ihre Arbeit das dafür bestimmte Elektrowerkzeug.** Mit dem passenden Elektrowerkzeug arbeiten Sie besser und sicherer im angegebenen Leistungsbereich.
- b) **Benutzen Sie kein Elektrowerkzeug, dessen Schalter defekt ist.** Ein Elektrowerkzeug, das sich nicht mehr ein- oder ausschalten lässt, ist gefährlich und muss repariert werden.
- c) **Ziehen Sie den Stecker aus der Steckdose und/oder entfernen Sie den Akku, bevor Sie Geräteeinstellungen vornehmen, Zubehörteile wechseln oder das Gerät weglegen.** Diese Vorsichtsmaßnahme verhindert den unbeabsichtigten Start des Geräts.
- d) **Bewahren Sie unbenutzte Elektrowerkzeuge außerhalb der Reichweite von Kindern auf. Lassen Sie Personen das Gerät nicht benutzen, die mit diesem nicht vertraut sind oder diese Anweisungen nicht gelesen haben.** Elektrowerkzeuge sind gefährlich, wenn Sie von unerfahrenen Personen benutzt werden.
- e) **Pflegen Sie das Gerät mit Sorgfalt. Kontrollieren Sie, ob bewegliche Geräteteile einwandfrei funktionieren und nicht klemmen, ob Teile gebrochen oder so beschädigt sind, dass die Funktion des Gerätes beeinträchtigt ist. Lassen Sie beschädigte Teile vor dem Einsatz des Geräts reparieren.** Viele Unfälle haben ihre Ursache in schlecht gewarteten Elektrowerkzeugen.
- f) **Halten Sie Schneidwerkzeuge scharf und sauber.** Sorgfältig gepflegte Schneidwerkzeuge mit scharfen Schneidkanten verkleben sich weniger und sind leichter zu führen.
- g) **Verwenden Sie Elektrowerkzeug, Zubehör, Einsatzwerkzeuge usw. entsprechend diesen Anweisungen. Berücksichtigen Sie dabei die Arbeitsbedingungen und die auszuführende Tätigkeit.** Der Gebrauch von Elektrowerkzeugen für andere als die vorgesehenen Anwendungen kann zu gefährlichen Situationen führen.

5) SERVICE

- a) **Lassen Sie Ihr Gerät nur von qualifiziertem Fachpersonal und nur mit Original-Ersatzteilen reparieren.** Damit wird sichergestellt, dass die Sicherheit des Geräts erhalten bleibt.

SICHERHEITSHINWEISE FÜR SCHLEIFER

- Beschädigungen durch Schrauben, Nägel und ähnliches an Ihrem Werkstück vermeiden; diese vor Arbeitsbeginn entfernen
- Das Kabel immer von umlaufenden Teilen des Werkzeuges fernhalten; das Kabel nach hinten vom Werkzeug weg führen

- **Sichern Sie das Werkstück** (ein mit Spannvorrichtungen oder Schraubstock festgehaltenes Werkstück ist sicherer gehalten als mit der Hand)
- Sobald Sie sich von Ihrem Werkzeug entfernen, sollte dieses ausgeschaltet werden und die sich bewegenden Teile vollkommen zum Stillstand gekommen sein
- Bei Benutzung von Verlängerungskabeln ist darauf zu achten, daß das Kabel vollständig abgerollt ist und eine Kapazität von 16 A hat
- Bei elektrischer oder mechanischer Fehlfunktion das Werkzeug sofort ausschalten und den Netzstecker ziehen
- SKIL kann nur dann die einwandfreie Funktion des Werkzeuges zusichern, wenn das entsprechende Zubehör verwendet wird, welches bei ihren Fachhändlern erhältlich ist
- Der Benutzer dieses Werkzeuges sollte älter als 16 Jahre sein
- Der Geräuschpegel beim Arbeiten kann 85 dB(A) überschreiten; Gehörschutz tragen
- **Fassen Sie das Elektrowerkzeug nur an den isolierten Griffflächen an, da das Band mit seinem eigenen Netzkabel in Berührung kommen kann** (ein Einschneiden eines spannungsführenden Kabels kann zu einer Spannungsübertragung auf die ungeschützten Metallteile des Werkzeuges führen und kann so dem Bediener einen Stromschlag versetzen)
- Wird bei der Arbeit das Kabel beschädigt oder durchtrennt, Kabel nicht berühren, sondern sofort den Netzstecker ziehen
- Werkzeug nicht weiter verwenden, wenn das Kabel beschädigt ist; lassen Sie dieses von einem anerkannten Elektrofachmann ersetzen
- Stets nachprüfen, daß die Netzspannung mit der auf dem Typenschild des Werkzeuges angegebenen Spannung übereinstimmt (mit 230V oder 240V beschriftete Werkzeuge können auch an 220V betrieben werden)
- Dieses Werkzeug ist für Naßschleifen nicht geeignet
- **Bearbeiten Sie kein asbesthaltiges Material** (Asbest gilt als krebserregend)
- Staub von Materialien wie Farbe, die Blei enthält, einigen Holzarten, Mineralien und Metall kann schädlich sein (Kontakt mit oder Einatmen des Staubs kann zu allergischen Reaktionen und/oder Atemwegserkrankheiten beim Bediener oder Umstehenden führen); **tragen Sie eine Staubmaske und arbeiten Sie mit einem Staubabsaugungssystem, wenn ein solches angeschlossen werden kann**
- Bestimmte Arten von Staub sind als karzinogen klassifiziert (beispielsweise Eichen- und Buchenholzstaub), insbesondere in Verbindung mit Zusätzen für die Holzvorbehandlung; **tragen Sie eine Staubmaske und arbeiten Sie mit einem Staubabsaugungssystem, wenn ein solches angeschlossen werden kann**
- Beachten Sie die für Ihr verwendetes Verbrauchsmaterial gültigen nationalen Staubschutzvorgaben
- Beim Schleifen von Metall entstehen Funken; verwenden Sie den Staubbeutel/den Staubsauger nicht und halten Sie andere Personen sowie brennbare Materialien von Ihrem Arbeitsbereich fern

- Nicht mit dem laufenden Schleifband in Berührung kommen
- Verwenden Sie verschlissene, eingerissene oder stark zugesetzte Schleifbänder nicht weiter
- Tragen Sie Schutzhandschuhe, Schutzbrille, enganliegende Kleidung und Haarschutz (bei langen Haaren)
- **Ziehen Sie grundsätzlich den Netzstecker, bevor Sie beliebige Änderungen an den Einstellungen oder einen Zubehörwechsel vornehmen**

BEDIENUNG

- Ein/Aus-Schalter
 - das Werkzeug wird durch Druck auf/Loslassen von Schalter A ② ein-/ausgeschaltet
 - ! **bevor die Schleiffläche das Werkstück berührt, muß Ihr Werkzeug erst eingeschaltet werden**
 - ! **vor dem Ausschalten des Werkzeuges sollte dieses vom Werkstück abgenommen werden**
- Arretierung des Schalters für Dauerlauf
 - Schalter A ② drücken
 - Knopf B ② mit Ihrem Daumen drücken
 - Schalter lösen
 - lösen Sie die Feststellung durch wieder auf Schalter A ② zu drücken und diese dann loszulassen
- Drehzahlregelung ④
 - Für optimale Schleifergebnisse auf verschiedenen Materialien
 - mit dem Rad C können Sie die gewünschte Schleifgeschwindigkeit einstellen
 - die Arbeitsgeschwindigkeit muß der Körnung des Schleifpapiers angepaßt werden
 - probieren Sie vor Arbeitsbeginn die optimale Geschwindigkeit und Körnung an einem Probematerial aus
- Schleifbandwechsel ⑤
 - ! **Netzstecker ziehen**
 - Hebel D lösen
 - Schleifband herausnehmen
 - neues Schleifband einlegen mit den Pfeilen an der Innenseite des Bandes in gleicher Richtung zeigend wie der Pfeil E auf dem Werkzeug
 - Hebel zurückdrücken
 - ! **Schleifband rechtzeitig wechseln**
 - ! **Schleifband nie knicken**
 - Wenn das Band vom Werkzeug wegläuft (zumeist durch mangelnde Bandqualität verursacht), sollten Sie
 - das Werkzeug einschalten
 - Knopf F ② drehen bis das Schleifband in etwa mit der Bandedführseite des Werkzeuges abschließt
 - ein neues Band benutzen, wenn das Band immer noch vom Werkzeug wegläuft
- Staubabsaugung ⑥
 - Staubbeutel G wie dargestellt befestigen (2 Positionen)
 - regelmäßige Entleerung des Staubbeckens sorgt für optimale Staubaufnahme
 - beim Gebrauch des Werkzeuges mit Staubsauger, Staubsaugeranschluß H wie dargestellt montieren (3 Positionen)

! Staubbeutel/Staubsauger nicht verwenden beim Schleifen von Metall

- Zusatzgriff ⑦
 - Hebel K benutzen zum Einstellen von Zusatzgriff J (2 Positionen)
- Schleifrahmenbefestigung ⑧
 - zum Ausgleichen von Oberflächen ohne Kratzer oder Nuten Schleifrahmen L montieren, und darauf achten, dass er sicher angebracht ist
- ! Schleifrahmen L wird bei Gebrauch heiß; nicht berühren, bevor er abgekühlt ist**
- ! Schleifrahmen L entfernen bevor das Werkzeug aufbewahrt wird**
- Halten und Führen des Werkzeuges ⑨
 - halten Sie Ihr Werkzeug parallel zu der zu bearbeitenden Oberfläche
- ! Werkzeug beim Arbeiten immer am grauen Griffbereich fassen**
- ! nicht zu viel Druck auf das Werkzeug ausüben; lassen Sie die Schleiffläche für Sie arbeiten**
 - verkanten Sie das Werkzeug nicht, damit ungewollte Schleifspuren vermieden werden
 - Lüftungsschlitze N ② unbedeckt halten

ANWENDUNGSHINWEISE

- Für das Abschleifen von unbehandelten Holzoberflächen, bewegen Sie das Werkzeug in geraden Bewegungen entlang der Maserung
- Zum Schleifen anderer Oberflächen das Werkzeug in ovalen Bewegungen über das Material bewegen
- Bei stationärem Gebrauch montieren Sie das Werkzeug auf eine Werkbank mit 2 Klemmen M
 - ! Staubbeutel G wie dargestellt befestigen**
 - ! Staubsaugeranschluß H wie dargestellt montieren**
- Nie mit demselben Schleifband Holz und Metall bearbeiten
- Vibrationsstufe
 - Die im hinteren Teil dieser Bedienungsanleitung angegebene Vibrationsemissionsstufe wurde mit einem standardisierten Test gemäß EN 60745 gemessen; Sie kann verwendet werden, um ein Werkzeug mit einem anderen zu vergleichen und als vorläufige Beurteilung der Vibrationsexposition bei Verwendung des Werkzeugs für die angegebenen Anwendungszwecke
 - die Verwendung des Werkzeugs für andere Anwendungen oder mit anderem oder schlecht gewartetem Zubehör kann die Expositionsstufe erheblich **erhöhen**
 - Zeiten, zu denen das Werkzeug ausgeschaltet ist, oder wenn es läuft aber eigentlich nicht eingesetzt wird, können die Expositionsstufe erheblich **verringern**
- ! schützen Sie sich vor den Auswirkungen der Vibration durch Wartung des Werkzeugs und des Zubehörs, halten Sie Ihre Hände warm und organisieren Sie Ihren Arbeitsablauf**

WARTUNG / SERVICE

- Halten Sie Werkzeug und Kabel immer sauber (insbesondere die Lüftungsschlitze N ②)
 - anhaftenden Schleifstaub mit einem Pinsel entfernen
- ! Netzstecker vor dem Säubern ziehen**
- Sollte die Staubabsaugung nicht mehr einwandfrei funktionieren, können Sie das Gehäuseeteil P wie dargestellt öffnen und den Schleifstaub, der sich möglicherweise angesammelt hat, entfernen ①
- ! Netzstecker vor dem Säubern ziehen**
- Sollte das Elektrowerkzeug trotz sorgfältiger Herstellungs- und Prüfverfahren einmal ausfallen, ist die Reparatur von einer autorisierten Kundendienststelle für SKIL-Elektrowerkzeuge ausführen zu lassen
 - das Werkzeug **unzerlegt**, zusammen mit dem Kaufbeleg, an den Lieferer oder die nächste SKIL-Vertragswerkstätte senden (die Anschriften so wie die Ersatzteilzeichnung des Werkzeuges finden Sie unter www.skileurope.com)

UMWELT

- **Elektrowerkzeuge, Zubehör und Verpackungen nicht in den Hausmüll werfen** (nur für EU-Länder)
 - gemäß Europäischer Richtlinie 2002/96/EG über Elektro- und Elektronik- Altgeräte und Umsetzung in nationales Recht müssen nicht mehr gebrauchsfähige Elektrowerkzeuge getrennt gesammelt und einer umweltgerechten Wiederverwertung zugeführt werden
 - hieran soll Sie Symbol ⑫ erinnern

NL

Bandschuurmachine

7660

INTRODUCTIE

- Deze machine is bestemd voor het droog schuren met een groot afnamevermogen van hout, kunststof, metaal, plamuur en gelakte oppervlakken
- Lees en bewaar deze gebruiksaanwijzing ③

TECHNISCHE SPECIFICATIES ①

MACHINE-ELEMENTEN ②

- A** Aan/uit schakelaar
- B** Knop voor vergrendelen van aan/uit schakelaar
- C** Schuursnelheid-instelwiel/je
- D** Hendel voor verwisselen van schuurband
- E** Pijl
- F** Knop voor bijstellen van bandcentering
- G** Stofzak
- H** Stofzuigeraansluitstuk
- J** Extra handgreep
- K** Hendel voor verstellen van extra handgreep
- L** Schuurraam
- M** Klemmen voor stationair gebruik
- N** Ventilatie-openingen

VEILIGHEID

ALGEMENE VEILIGHEIDSVOORSCHRIFTEN

⚠ LET OP! Lees alle veiligheidswaarschuwingen en alle voorschriften. Als de waarschuwingen en voorschriften niet worden opgevolgd, kan dit een elektrische schok, brand of ernstig letsel tot gevolg hebben. **Bewaar alle waarschuwingen en voorschriften voor toekomstig gebruik.** Het in de waarschuwingen gebruikte begrip “elektrisch gereedschap” heeft betrekking op elektrische gereedschappen voor gebruik op het stroomnet (met netsnoer) en op elektrische gereedschappen voor gebruik met een accu (zonder netsnoer).

1) VEILIGHEID VAN DE WERKOMGEVING

- a) **Houd uw werkomgeving schoon en opgeruimd.**
Een rommelige of onverlichte werkomgeving kan tot ongevallen leiden.
- b) **Werk met het gereedschap niet in een omgeving met explosiegevaar waarin zich brandbare vloeistoffen, gassen of stof bevinden.**
Elektrische gereedschappen veroorzaken vonken die het stof of de dampen tot ontsteking kunnen brengen.
- c) **Houd kinderen en andere personen tijdens het gebruik van het elektrische gereedschap uit de buurt.** Wanneer u wordt afgeleid, kunt u de controle over het gereedschap verliezen.

2) ELEKTRISCHE VEILIGHEID

- a) **De aansluitstekker van het gereedschap moet in het stopcontact passen. De stekker mag in geen geval worden veranderd. Gebruik geen adapterstekkers in combinatie met geaarde gereedschappen.**
Onveranderde stekkers en passende stopcontacten beperken het risico van een elektrische schok.
- b) **Voorkom aanraking van het lichaam met geaarde oppervlakken, bijvoorbeeld van buizen, verwarmingen, fornuizen en koelkasten.**
Er bestaat een verhoogd risico door een elektrische schok wanneer uw lichaam geaard is.
- c) **Houd het gereedschap uit de buurt van regen en vocht.** Het binnendringen van water in het elektrische gereedschap vergroot het risico van een elektrische schok.
- d) **Gebruik de kabel niet voor een verkeerd doel, om het gereedschap te dragen of op te hangen of om de stekker uit het stopcontact te trekken. Houd de kabel uit de buurt van hitte, olie, scherpe randen en bewegende gereedschapsdelen.** Beschadigde of in de war geraakte kabels vergroten het risico van een elektrische schok.
- e) **Wanneer u buitenshuis met elektrisch gereedschap werkt, dient u alleen verlengkabels te gebruiken die voor gebruik buitenshuis zijn goedgekeurd.**
Het gebruik van een voor gebruik buitenshuis geschikte verlengkabel beperkt het risico van een elektrische schok.

- f) **Als het gebruik van het elektrische gereedschap in een vochtige omgeving onvermijdelijk is, dient u een aardlekschakelaar te gebruiken.** Het gebruik van een aardlekschakelaar vermindert het risico van een elektrische schok.

3) VEILIGHEID VAN PERSONEN

- a) **Wees alert, let goed op wat u doet en ga met verstand te werk bij het gebruik van het elektrische gereedschap. Gebruik het gereedschap niet wanneer u moe bent of onder invloed staat van drugs, alcohol of medicijnen.** Een moment van onoplettendheid bij het gebruik van het gereedschap kan tot ernstige verwondingen leiden.
 - b) **Draag persoonlijke beschermende uitrusting en altijd een veiligheidsbril.** Het dragen van persoonlijke beschermende uitrusting zoals een stofmasker, slipvaste werkschoenen, een veiligheidshelm of gehoorbescherming, afhankelijk van de aard en het gebruik van het elektrische gereedschap, vermindert het risico van verwondingen.
 - c) **Voorom per ongeluk inschakelen. Controleer dat het elektrische gereedschap uitgeschakeld is voordat u de stekker in het stopcontact steekt of de accu aansluit en voordat u het gereedschap oppakt of draagt.** Wanneer u bij het dragen van het elektrische gereedschap uw vinger aan de schakelaar hebt of wanneer u het gereedschap ingeschakeld op de stroomvoorziening aansluit, kan dit tot ongevallen leiden.
 - d) **Verwijder instelgereedschappen of schroefsleutels voordat u het gereedschap inschakelt.**
Een instelgereedschap of sleutel in een draaiend deel van het gereedschap kan tot verwondingen leiden.
 - e) **Overschat uzelf niet. Zorg ervoor dat u stevig staat en steeds in evenwicht blijft.** Daardoor kunt u het gereedschap in onverwachte situaties beter onder controle houden.
 - f) **Draag geschikte kleding. Draag geen loshangende kleding of sieraden. Houd haren, kleding en handschoenen uit de buurt van bewegende delen.**
Loshangende kleding, sieraden en lange haren kunnen door bewegende delen worden meegenomen.
 - g) **Wanneer stofafzuigings- of stofopvangvoorzieningen kunnen worden gemonteerd, dient u zich ervan te verzekeren dat deze zijn aangesloten en juist worden gebruikt.** Het gebruik van een stofafzuiging beperkt het gevaar door stof.
- ### 4) GEBRUIK EN ONDERHOUD VAN ELEKTRISCHE GEREEDSCHAPPEN
- a) **Overbelast het gereedschap niet. Gebruik voor uw werkzaamheden het daarvoor bestemde elektrische gereedschap.** Met het passende elektrische gereedschap werkt u beter en veiliger binnen het aangegeven capaciteitsbereik.
 - b) **Gebruik geen elektrisch gereedschap waarvan de schakelaar defect is.** Elektrisch gereedschap dat niet meer kan worden in- of uitgeschakeld, is gevaarlijk en moet worden gerepareerd.

- c) **Trek de stekker uit het stopcontact of neem de accu uit het elektrische gereedschap voordat u het gereedschap instelt, toebehoren wisselt of het gereedschap weglegt.** Deze voorzorgsmaatregel voorkomt onbedoeld starten van het gereedschap.
- d) **Bewaar niet-gebruikte elektrische gereedschappen buiten bereik van kinderen. Laat het gereedschap niet gebruiken door personen die er niet mee vertrouwd zijn en deze aanwijzingen niet hebben gelezen.** Elektrische gereedschappen zijn gevaarlijk wanneer deze door onervaren personen worden gebruikt.
- e) **Verzorg het gereedschap zorgvuldig. Controleer of bewegende delen van het gereedschap correct functioneren en niet vastklemmen en of onderdelen zodanig gebroken of beschadigd zijn dat de werking van het gereedschap nadelig wordt beïnvloed. Laat beschadigde delen repareren voordat u het gereedschap gebruikt.** Veel ongevallen hebben hun oorzaak in slecht onderhouden elektrische gereedschappen.
- f) **Houd snijdende inzetgereedschappen scherp en schoon.** Zorgvuldig onderhouden snijdende inzetgereedschappen met scherpe snijkanten klemmen minder snel vast en zijn gemakkelijker te geleiden.
- g) **Gebruik elektrische gereedschappen, toebehoren, inzetgereedschappen en dergelijke volgens deze aanwijzingen. Let daarbij op de arbeidsomstandigheden en de uit te voeren werkzaamheden.** Het gebruik van elektrische gereedschappen voor andere dan de voorziene toepassingen kan tot gevaarlijke situaties leiden.

5) SERVICE

- a) **Laat het gereedschap alleen repareren door gekwalificeerd en vakkundig personeel en alleen met originele vervangingsonderdelen.** Daarmee wordt gewaarborgd dat de veiligheid van het gereedschap in stand blijft.

VEILIGHEIDSVOORSCHRIFTEN VOOR SCHUURMACHINES

- Voorkom schade, die kan ontstaan door schroeven, spijkers en andere voorwerpen in uw werkstuk; verwijder deze, voordat u aan een karwei begint
- Houd het snoer altijd verwijderd van de bewegende delen van uw machine; richt het snoer naar achteren, van de machine weg
- **Zet het werkstuk vast** (een werkstuk, dat is vastgezet met klemmen of in een bankschroef, zit steviger vast dan wanneer het met de hand wordt vastgehouden)
- Als u de machine wegzet moet de motor uitgeschakeld zijn en de bewegende delen tot stilstand zijn gekomen
- Gebruik volledig uitgerolde en veilige verlengsnoeren met een capaciteit van 16 Ampère
- In geval van elektrische of mechanische storing, de machine onmiddellijk uitschakelen en de stekker uit het stopcontact trekken

- SKIL kan alleen een correcte werking van de machine garanderen, indien de juiste accessoires worden gebruikt, die verkrijgbaar zijn bij de vakhandel
- Deze machine mag niet worden gebruikt door personen onder de 16 jaar
- Tijdens het werken kan het geluidsniveau 85 dB(A) overschrijden; draag oorbeschermers
- **Houd het elektrische gereedschap vast aan de geïsoleerde greepvlakken omdat de band contact kan maken met het snoer** (het doorslijpen van een onder spanning staande leiding zet ook de metalen delen van het elektrische gereedschap onder spanning waardoor de gebruiker een schok kan krijgen)
- Raak het snoer niet aan, als dit tijdens de werkzaamheden wordt beschadigd of doorsneden, maar trek onmiddellijk de stekker uit het stopcontact
- Gebruik de machine niet, wanneer het snoer beschadigd is; laat dit door een erkende vakman vervangen
- Controleer of het voltage, dat vermeld staat op het typeplaatje van de machine, overeenkomt met de netspanning (met 230V of 240V aangeduide machines kunnen ook op 220V aangesloten worden)
- Deze machine is niet geschikt voor schuren met water
- **Bewerk geen asbesthoudend materiaal** (asbest geldt als kankerverwekkend)
- Stof van materiaal zoals loodhoudende verf, sommige houtsoorten, mineralen en metaal kunnen schadelijk zijn (contact met of inademing van de stof kan allergische reacties en/of ademhalingsziekten bij gebruiker of omstanders veroorzaken); **draag een stofmasker en werk met een stofopvang-voorziening als die kan worden aangesloten**
- Bepaalde soorten stof zijn geclassificeerd als kankerverwekkend (zoals stof van eiken en beuken), met name in combinatie met toevoegingsmiddelen voor houtverzorging; **draag een stofmasker en werk met een stofopvang-voorziening als die kan worden aangesloten**
- Neem voor de door u te bewerken materialen de nationale voorschriften aangaande stofopvang in acht
- Bij het schuren van metaal ontstaan vonken; gebruik de stofzak/stofzuiger niet en houd andere personen en brandbaar materiaal van het werkgebied weg
- Kom niet in aanraking met de draaiende schuurband
- Gebruik versleten, gescheurde of ernstig beschadigde schuurbanden niet meer
- Draag beschermende handschoenen, veiligheidsbril, nauw sluitende kleding en haarbescherming (bij lange haren)
- **Trek altijd de stekker uit het stopcontact voordat u een instelling verandert of een accessoire verwisselt**

GEBRUIK

- Aan/uit schakelaar
 - zet uw machine aan/uit door schakelaar A ② in te drukken/los te laten
- ! **voordat het schuuroppervlak in aanraking komt met het werkstuk, moet u de machine aanzetten**

! voordat u de machine uitschakelt, dient u deze van het werkstuk op te lichten

- Vastzetten van schakelaar voor continu gebruik
 - druk trekker A ② in
 - druk op knop B ② met uw duim
 - laat trekker los
 - ontgrendel schakelaar door trekker A ② nog eens in te drukken en dan los te laten

• Toerentalregeling ④

Voor optimale schuurresultaten op verschillende materialen

- met wielte C kan de gewenste schuursnelheid ingesteld worden
- stel de snelheid in op de te gebruiken korrelgrootte
- zoek, voordat u aan een karwei begint, de optimale snelheid/korrel-combinatie door uitproberen op rest-materiaal

• Verwisselen van schuurbanden ⑤

! trek de stekker uit het stopcontact

- licht hendel D op
- verwijder schuurband
- breng nieuwe schuurband aan met pijlen aan binnenkant van band in dezelfde richting wijzend als pijl E op machine
- druk hendel weer op zijn plaats

! schuurband tijdig verwisselen

! schuurband nooit vouwen

Als schuurband van machine af loopt (meestal veroorzaakt door slechte kwaliteit van band)

- zet de machine aan
- draai knop F ② zodanig, dat schuurband parallel loopt met platte zijkant van machine
- gebruik een nieuwe band, als de band van de machine af blijft lopen

• Stofafzuiging ⑥

- stofzak G zoals afgebeeld bevestigen (2 standen)
- ledig de stofzak regelmatig voor optimale stofafzuiging
- bij gebruik van de machine met stofzuiger stofzuigeraansluitstuk H zoals afgebeeld bevestigen (3 standen)

! gebruik de stofzak/stofzuiger niet bij het schuren van metaal

• Extra handgreep ⑦

Gebruik hendel K voor het instellen van extra handgreep J (2 standen)

• Bevestigen van schuurraam ⑧

- monteer schuurraam L voor het egaliseren van oppervlakken zonder krassen of groeven, en zorg dat het stevig vast zit

! schuurraam L wordt heet tijdens gebruik; raak het niet aan voordat het is afgekoeld

! verwijder schuurraam L voordat u de machine opbergt

• Vasthouden en leiden van de machine ⑨

- geleid uw machine parallel aan het werkoppervlak
- ! houd de machine tijdens het werk altijd vast bij het(de) grijs-gekleurde greepvlak(ken)**

! oefen niet te veel druk uit op de machine; laat het schuuroppervlak het werk voor u doen

- zet uw machine niet schuin op het werkstuk ter voorkoming van ongewenste schuursporen
- houd ventilatie-openingen N ② onbedekt

TOEPASSINGSADVIES

- Bij kale houten oppervlakken geeft een rechtlijnige beweging met de nerf van het hout mee het beste resultaat
 - Bij alle andere oppervlakken de machine in ovale bewegingen over het materiaal bewegen
 - Voor stationair gebruik de machine op een werkbank monteren door middel van 2 klemmen M
- ! stofzak G zoals afgebeeld bevestigen**
- ! stofzuigeraansluitstuk H zoals afgebeeld bevestigen**
- Gebruik nooit dezelfde schuurband voor hout en metaal
 - Trillingsniveau
- Het trillingsemissieniveau, dat achterin deze gebruiksaanwijzing wordt vermeld, is gemeten in overeenstemming met een gestandaardiseerde test volgens EN 60745; deze mag worden gebruikt om twee machines met elkaar te vergelijken en als voorlopige beoordeling van de blootstelling aan trilling bij gebruik van de machine voor de vermelde toepassingen
- gebruik van de machine voor andere toepassingen, of met andere of slecht onderhouden accessoires, kan het blootstellingsniveau aanzienlijk **verhogen**
 - wanneer de machine is uitgeschakeld of wanneer deze loopt maar geen werk verricht, kan dit het blootstellingsniveau aanzienlijk **reduceren**
- ! bescherm uzelf tegen de gevolgen van trilling door de machine en de accessoires te onderhouden, uw handen warm te houden en uw werkwijze te organiseren**

ONDERHOUD / SERVICE

- Houd machine en snoer altijd schoon (met name de ventilatie-openingen N ②)
 - veeg achtergebleven schuurstof met een kwast weg
- ! trek de stekker uit het stopcontact vóór het reinigen**
- Wanneer de stofafzuiging niet meer juist werkt, kunt u behuizingsonderdeel P openen zoals aangegeven, en eventueel opgehoopt schuurstof verwijderen ⑩
- ! trek de stekker uit het stopcontact vóór het reinigen**
- Mocht het elektrische gereedschap ondanks zorgvuldige fabricage- en testmethoden toch defect raken, dient de reparatie te worden uitgevoerd door een erkende klantenservice voor SKIL elektrische gereedschappen
 - stuur de machine **ongedemonteerd**, samen met het aankoopbewijs, naar het verkooppadres of het dichtstbijzijnde SKIL service-station (de adressen evenals de onderdeeltekening van de machine vindt u op www.skileurope.com)

MILIEU

- **Geef electrisch gereedschap, accessoires en verpakkingen niet met het huisvuil mee** (alleen voor EU-landen)
 - volgens de Europese richtlijn 2002/96/EG inzake oude electrische en electronische apparaten en de toepassing daarvan binnen de nationale wetgeving, dient afgedankt electrisch gereedschap gescheiden te worden ingezameld en te worden afgevoerd naar een recycle-bedrijf, dat voldoet aan de geldende milieu-eisen
 - symbool ⑫ zal u in het afdankstadium hieraan herinneren

S

Bandslipmaskin

7660

INTRODUKTION

- Denna maskin är avsedd för torr slipning vid hög nedslipningseffekt av trä, plast, metall, fyllmassa och målade ytor
- Läs och spara denna instruktionsbok ③

TEKNISKA DATA ①

VERKTYGSELEMENT ②

- A Till/från strömbrytare
- B Låsknapp för strömbrytare
- C Sliphastighetsinställning
- D Spak för slipbandsbyte
- E Pil
- F Knapp för för bandcentrering
- G Dampås
- H Dammsugaradapter
- J Hjälpbandtag
- K Spak för justering av hjälpbandtaget
- L Slipram
- M Klämmor för stationärt bruk
- N Ventilationsöppningar

SÄKERHET

ALLMÄNNA SÄKERHETSANVISNINGAR

⚠ OBS! Läs noga igenom alla anvisningar.

Fel som uppstår till följd av att anvisningarna nedan inte följts kan orsaka elstöt, brand och/eller allvariga kroppsskador. **Förvara alla varningar och anvisningar för framtida bruk.** Nedan använt begrepp "elverktyg" hänför sig till nätdrivna elverktyg (med nätsladd) och till batteridrivna elverktyg (sladdlösa).

1) ARBETSPLATSSÄKERHET

- a) **Håll arbetsplatsen ren och välbelyst.** Oordning på arbetsplatsen eller dåligt belyst arbetsområde kan leda till olyckor.
- b) **Använd inte elverktyget i explosionsfarlig omgivning med brännbara vätskor, gaser eller damm.** Elverktygen alstrar gnistor som kan antända dammet eller gaserna.
- c) **Håll under arbetet med elverktyget barn och obehöriga personer på betryggande avstånd.** Om du störs av obehöriga personer kan du förlora kontrollen över elverktyget.

2) ELEKTRISK SÄKERHET

- a) **Elverktygets stickpropp måste passa till vägguttaget. Stickproppen får absolut inte förändras. Använd inte adapterkontakter tillsammans med skyddsjordade elverktyg.** Oförändrade stickproppar och passande vägguttag reducerar risken för elektriskt slag.
- b) **Undvik kroppskontakt med jordade ytor som t. ex. rör, värmeelement, spisar och kylskåp.** Det finns en större risk för elektriskt slag om din kropp är jordad.
- c) **Skydda elverktyget mot regn och väta.** Tränger vatten in i ett elverktyg ökar risken för elektriskt slag.
- d) **Missbruka inte nätsladden och använd den inte för att bära eller hänga upp elverktyget och inte heller för att dra stickproppen ur vägguttaget. Håll nätsladden på avstånd från värme, olja, skarpa kanter och rörliga maskindelar.** Skadade eller tilltrasslade ledningar ökar risken för elektriskt slag.
- e) **När du arbetar med ett elverktyg utomhus använd endast förlängningsladdar som är godkända för utomhusbruk.** Om en lämplig förlängningsladd för utomhusbruk används minskar risken för elektriskt slag.
- f) **Använd en jordfelsbrytare om det inte är möjligt att undvika elverktygets användning i fuktig miljö.** Genom att använda en jordfelsbrytare minskas risken för elstöt.

3) PERSONSÄKERHET

- a) **Var uppmärksam, kontrollera vad du gör och använd elverktyget med förnuft. Använd inte elverktyget när du är trött eller om du är påverkad av droger, alkohol eller mediciner.** Under användning av elverktyg kan även en kort ouppmärksamhet leda till allvarliga kroppsskador.
- b) **Bär alltid personlig skyddsutrustning och skyddsglasögon.** Användning av personlig skyddsutrustning som t. ex. dammfiltermask, halkfria säkerhetsskor, skyddshjälm och hörselskydd reducerar alltefter elverktygets typ och användning risken för kroppsskada.
- c) **Undvik oavsiktlig igångsättning. Kontrollera att elverktyget är fränkopplat innan du ansluter stickproppen till vägguttaget och/eller ansluter/tar bort batteriet, tar upp eller bär elverktyget.** Om du bär elverktyget med fingret på strömställaren eller ansluter påkopplat elverktyg till nätströmmen kan olycka uppstå.

- d) **Ta bort alla inställningsverktyg och skruvnycklar innan du kopplar på elverktyget.** Ett verktyg eller en nyckel i en roterande komponent kan medföra kroppsskada.
- e) **Överskatta inte din förmåga. Se till att du står stadigt och håller balansen.** I detta fall kan du lättare kontrollera elverktyget i oväntade situationer.
- f) **Bär lämpliga kläder. Bär inte löst hängande kläder eller smycken. Håll håret, kläderna och handskarna på avstånd från rörliga delar.** Löst hängande kläder, smycken och långt hår kan dras in av roterande delar.
- g) **Vid elverktyg med dammsugnings- och - uppsamlingsutrustning kontrollera att anordningarna är rätt monterade och används på korrekt sätt.** Användning av dammsugning minskar de risker damm orsakar.
- 4) OMSORGSFULL HANTERING OCH ANVÄNDNING AV ELVERKTYG**
- a) **Överbelasta inte elverktyget. Använd för aktuellt arbete avsett elverktyg.** Med ett lämpligt elverktyg kan du arbeta bättre och säkrare inom angivet effektområde.
- b) **Ett elverktyg med defekt strömställare får inte längre användas.** Ett elverktyg som inte kan kopplas in eller ur är farligt och måste repareras.
- c) **Dra stickproppen ur vägguttaget och/eller ta bort batteriet innan inställningar utförs, tillbehörsdelar byts ut eller elverktyget lagras.** Denna skyddsåtgärd förhindrar oavsiktlig inkoppling av elverktyget.
- d) **Förvara elverktygen oåtkomliga för barn. Låt elverktyget inte användas av personer som inte är förtrogna med dess användning eller inte läst denna anvisning.** Elverktygen är farliga om de används av oerfarna personer.
- e) **Sköt elverktyget omsorgsfullt. Kontrollera att rörliga komponenter fungerar felfritt och inte kärvar, att komponenter inte brustit eller skadats; orsaker som kan leda till att elverktygets funktioner påverkas menligt. Låt skadade delar repareras innan elverktyget återanvänds.** Många olyckor orsakas av dåligt skötta elverktyg.
- f) **Håll skärverktygen skarpa och rena.** Omsorgsfullt skötta skärverktyg med skarpa eggar kommer inte så lätt i kläm och går lättare att styra.
- g) **Använd elverktyget, tillbehör, insatsverktyg osv. enligt dessa anvisningar. Ta hänsyn till arbetsvillkoren och arbetsmomenten.** Används elverktyget på icke ändamålsenligt sätt kan farliga situationer uppstå.
- 5) SERVICE**
- a) **Låt elverktyget repareras endast av kvalificerad fackpersonal och med originalreservdelar.** Detta garanterar att elverktygets säkerhet upprätthålls.

SÄKERHETSANVISNINGAR FÖR SLIPMASKINER

- Undvik skador genom att ta bort skruvar, spikar eller andra föremål ur arbetsstycket; ta dem bort innan du startar ett arbete
- Håll alltid sladden på säkert avstånd från rörliga maskindelar; för sladden bakåt bort från maskinen

- **Sätt fast arbetsstycket** (ett arbetsstycke fastsatt med skruvtingar eller i ett skruvstäd är mera stabilt än om det hålls fast för hand)
- När du ställer ifrån dig maskinen måste motorn vara frånslagen och de rörliga delarna ska ha stannat fullständigt
- Använd helt uttrullade och säkra förlängningssladdar med kapacitet på 16 A
- I händelse av onormala elektriska eller mekaniska störningar, stäng genast av maskinen och dra ur stickkontakten
- SKIL kan endast garantera att maskinen fungerar felfritt om rätt tillbehör används som du kan köpa hos närmaste SKIL-återförsäljare
- Den här maskinen ska inte användas av personer under 16 år
- Ljudnivån vid arbete kan överskrida 85 dB(A); använd hörselskydd
- **Håll det elektriska verktyget i de isolerade handtagen/ytorna eftersom bandet kan komma i kontakt med elsladden** (om en strömförande sladd skadas kan metalldelar i verktyget också bli strömförande vilket kan ge användaren en elektrisk stöt)
- Skadas eller kapas nätsladden under arbetet, rör inte vid sladden utan dra genast ut stickkontakten
- Använd ej maskinen om sladden är trasig; låt den byta ut av en kvalificerad person
- Kontrollera alltid att den tillförda strömtypen stämmer med spänningen som anges på maskinens märkplåt (maskiner med beteckningen 230V eller 240V kan även anslutas till 220V)
- Denna maskin är inte lämplig till vattenslipning
- **Asbesthaltigt material får inte bearbetas** (asbest anses vara cancerframkallande)
- Viss typ av damm, exempelvis färg som innehåller bly, vissa träsorter, mineraler och metaller kan vara hälsovådliga om de inhaleras (hudkontakt eller inhalering kan ge allergisk reaktion och/eller luftvägsproblem/sjukdom hos personer i närheten); **använd andningsskydd och arbeta med en dammuppsamlare om sådan anslutning finns**
- Vissa typer av damm är klassificerade så som carcinogena (t.ex. ek- och björkdamm) särskilt i kombination med tillsatser för träbehandling; **använd andningsskydd och arbeta med en dammuppsamlare om sådan anslutning finns**
- Följ de nationella krav, som finns angående damm, för de material du skall arbeta med
- Vid slipning av metall bildas gnistor; använd inte dammpåsen/dammsugare och håll andra personer och antändbart material på avstånd från arbetsområdet
- Berör inte roterande slipband
- Förslitna, rivna eller kraftigt igensatta slipband får ej användas
- Använd skyddshandskar, skyddsglasögon, åtsittande kläder och hårnät (för långt hår)
- **Dra alltid ur stickkontakten från vägguttaget innan du gör någon justering eller byter tillbehör**

ANVÄNDNING

- Till/från strömbrytare
 - starta/stäng av maskinen genom att trycka in/släppa på avtryckaren A ②
- ! **innan sliptytan sätts till arbetsstycket skall maskinen ha startats**
- ! **maskinen skall tas bort från arbetsstycket innan den stängs av**
- Låsning av strömbrytare för kontinuerlig drift
 - tryck in avtryckaren A ②
 - tryck in knappen B ② med tummen
 - släpp avtryckaren
 - koppla ur låsningen genom att trycka in avtryckaren A ② en gång till och sedan släppa den igen
- Hastighetskontroll ④
 - För maximalt resultat vid slipning av olika material
 - med hjulet C kan du bestämma sliphastigheten
 - anpassa hastigheten efter kornstorlek
 - innan du startar ett arbete, försök att hitta bästa hastigheten och korn genom att testa på ett överblivet material
- Slipbandbyte ⑤
 - ! **drag ur stickkontakten**
 - lyft spaken D
 - tag bort slipbandet
 - sätt i det nya bandet med pilen, som finns på innersidan av bandet, pekande i samma riktning som pilen E på maskinen
 - tryck tillbaka spaken
 - ! **byt slipbanden i tid**
 - ! **knäck aldrig slipbanden**
 - Om bandet lossnar från maskinen (oftast på grund av låg bandkvalitet) gör du följande:
 - starta maskinen
 - vrid knappen F ② tills slipbandet sitter i linje med utsidan av maskinen
 - använd ett nytt band om bandet lossnar igen
- Dammuppsugning ⑥
 - monter damppåsen G enligt bilden (2 positioner)
 - töm damppåsen regelbundet för att få bäst dammuppsugning
 - vid användning av maskinen med dammsugare, monter dammsugartillbehör H enligt bilden (3 positioner)
 - ! **använd inte damppåsen/dammsugare för slipning av metall**
- Hjälpbandtag ⑦
 - Använd spaken K för att justera hjälpbandtaget J (2 positioner)
- Montering av slipram ⑧
 - montera slipramen L för planslipning av ytor, utan repor och spår, och se till att den sitter stadigt
 - ! **slipram L blir varm under användningen; vidrör den inte förrän den har svalnat**
 - ! **ta ut slipramen L innan du lägger maskinen till förvaring**
- Fattning och styrning av maskinen ⑨
 - styr maskinen parallellt mot arbetsytan

! **under arbetet, håll alltid verktyget i det grå greppet**

! **lägg inte för mycket tryck på maskinen; låt sliptyn göra arbetet åt dig**

- luta ej maskinen för att univika oönskade slipmärken
- håll ventilationsöppningarna N ② ej övertäckta

ANVÄNDNINGSTIPS


- Vid slipning av naturträ som ej ska efterbehandlas, ska maskinen föras långs med ådringen i virket
- Vid slipning av alla andra ytor skall maskinen röras i ovala rörelser över slipmaterialet
- För stationärt bruk, montera maskinen på arbetsbänk med 2 klämmor M
- ! **monter damppåsen G enligt bilden**
- ! **monter dammsugartillbehör H enligt bilden**
- Använd aldrig samma slipband för trä och metall
- Vibrationsnivå
 - Vibrationsemissionsvärdet som står på baksidan av den här instruktionsboken har uppmätts enligt ett standardiserat test i enlighet med EN 60745; detta värde kan användas för att jämföra vibrationen hos olika verktyg och som en ungefärlig uppskattning av hur stor vibration användaren utsätts för när verktyget används enligt det avsedda syftet
 - om verktyget används på ett annat än det avsedda syftet eller med fel eller dåligt underhållna tillbehör kan detta drastiskt **öka** vibrationsnivån
 - när verktyget stängs av eller är på men inte används, kan detta avsevärt **minska** vibrationsnivån
- ! **skydda dig mot vibration genom att underhålla verktyget och dess tillbehör, hålla händerna varma och styra upp ditt arbetssätt**

UNDERHÅLL / SERVICE

- Håll alltid din maskin och sladden ren (speciellt ventilationsöppningarna N ②)
 - avlägsna med en pensel slipdamm som sätter sig på maskinen
- ! **drag ur stickkontakten innan rengöring**
- Om dammsugningen inte längre fungerar korrekt kan man öppna hölet P såsom visas på bilden och ta bort evt. ihopsamlad damm ⑩
- ! **drag ur stickkontakten innan rengöring**
- Om i elverktyget trots exakt tillverkning och sträng kontroll störning skulle uppstå, bör reparation utföras av auktoriserad serviceverkstad för SKIL elverktyg
 - sänd in verktyget i **odemonterat skick** tillsammans med inköpsbevis till försäljaren eller till närmaste SKIL serviceverkstad (adresser till servicestationer och sprängskisser av maskiner finns på www.skileurope.com)

MILJÖ

- **Elektriska verktyg, tillbehör och förpackning får inte kastas i hushållssoporna** (gäller endast EU-länder)


- enligt direktivet 2002/96/EG som avser äldre elektrisk och elektronisk utrustning och dess tillämpning enligt nationell lagstiftning ska uttjänta elektriska verktyg sorteras separat och lämnas till miljövänlig återvinning
- symbolen  kommer att påminna om detta när det är tid att kassera

DK

Båndpudser

7660

INLEDNING

- Dette værktøj er beregnet til tør slibning med stor afslibningsevne af træ, plast, metal, spartelmasse og lakerede overflader
- Læs og gem denne betjeningsvejledning 


TEKNISKE SPECIFIKATIONER

VÆRKTØJETS DELE

- A Tænd/sluk afbryder
- B Knap til fastlåsning af tænd/sluk afbryderen
- C Hjul til slibhastighedsvalg
- D Arm til skift af slibebånd
- E Pil
- F Knap til justering af båndcentrering
- G Støvpose
- H Støvsugeradaptore
- J Støttehåndtag
- K Arm til støttehåndtagsregulering
- L Sliberamme
- M Skruetvinger til stationær brug
- N Ventilationshuller

SIKKERHED

GENERALE SIKKERHEDSINSTRUKSER

 **VIGTIGT!** Læs alle advarselshenvisninger og instrukser. I tilfælde af manglende overholdelse af advarselshenvisningerne og instrukserne er der risiko for elektrisk stød, brand og/eller alvorlige kvæstelser. **Opbevar alle advarselshenvisninger og instrukser til senere brug.** Det i advarselshenvisningerne benyttede begreb "el værktøj" refererer til netdrevet el værktøj (med netkabel) og akkudrevet el værktøj (uden netkabel).

1) SIKKERHED PÅ ARBEJDSPLADSEN

- a) **Sørg for, at arbejdsområdet er rent og ryddeligt.** Uorden eller uoplyste arbejdsområder øger faren for uheld.
- b) **Brug ikke maskinen i eksplosionsfarlige omgivelser, hvor der er brændbare væsker, gasser eller støv.** El-værktøj kan slå gnister, der kan antænde støv eller dampe.

- c) **Sørg for, at andre personer og ikke mindst børn holdes væk fra arbejdsområdet, når maskinen er i brug.** Hvis man distraheres, kan man miste kontrollen over maskinen.

2) ELEKTRISK SIKKERHED

- a) **Maskinens stik skal passe til kontakten. Stikket må under ingen omstændigheder ændres. Brug ikke adapterstik sammen med jordforbundne maskiner.** Uændrede stik, der passer til kontakterne, nedsætter risikoen for elektrisk stød.
- b) **Undgå kropskontakt med jordforbundne overflader som f.eks. rør, radiatorer, komfurer og køleskabe.** Hvis din krop er jordforbundet, øges risikoen for elektrisk stød.
- c) **Maskinen må ikke udsættes for regn eller fugt.** Indtrængning af vand i maskinen øger risikoen for elektrisk stød.
- d) **Brug ikke ledningen til formål, den ikke er beregnet til (f.eks. må man aldrig bære maskinen i ledningen, hænge maskinen op i ledningen eller rykke i ledningen for at trække stikket ud af kontakten).** Beskyt ledningen mod varme, olie, skarpe kanter eller maskindele, der er i bevægelse. Beskadigede eller indviklede ledninger øger risikoen for elektrisk stød.
- e) **Hvis maskinen benyttes i det fri, må der kun benyttes en forlængerledning, der er godkendt til udendørs brug.** Brug af forlængerledning til udendørs brug nedsætter risikoen for elektrisk stød.
- f) **Hvis det ikke kan undgås at bruge maskinen i fugtige omgivelser, skal der bruges et HFI-relæ.** Brug af et HFI-relæ reducerer risikoen for at få elektrisk stød.

3) PERSONLIG SIKKERHED

- a) **Det er vigtigt at være opmærksom, se, hvad man laver, og bruge maskinen fornuftigt. Man bør ikke bruge maskinen, hvis man er træt, har nydt alkohol eller er påvirket af medicin eller euforiserende stoffer.** Få sekunders uopmærksomhed ved brug af maskinen kan føre til alvorlige personskader.
- b) **Brug beskyttelsesudstyr og hav altid beskyttelsesbriller på.** Brug af sikkerhedsudstyr som f.eks. støvmaske, skridsikkert fodtøj, beskyttelseshjelm eller høreværn afhængig af maskintype og anvendelse nedsætter risikoen for personskader.
- c) **Undgå utilsigtet igangsætning. Kontrollér, at el værktøjet er slukket, før du tilslutter det til strømtilførslen og/eller akkuen, løfter eller bærer det.** Undgå at bære el værktøjet med fingeren på afbryderen og sørg for, at el værktøjet ikke er tændt, når det slutes til nettet, da dette øger risikoen for personskader.
- d) **Fjern indstillingsværktøj eller skruenøgle, inden maskinen tændes.** Hvis et stykke værktøj eller en nøgle sidder i en roterende maskindel, er der risiko for personskader.
- e) **Overvurder ikke dig selv. Sørg for at stå sikkert, mens der arbejdes, og kom ikke ud af balance.** Det er derved nemmere at kontrollere maskinen, hvis der skulle opstå uventede situationer.

- f) **Brug egnet arbejdstøj. Undgå løse bklædningsgenstande eller smykker. Hold hår, tøj og handsker væk fra dele, der bevæger sig.** Dele, der er i bevægelse, kan gribe fat i løstsiddende tøj, smykker eller langt hår.
- g) **Hvis støvudsugnings- og opsamlingsudstyr kan monteres, er det vigtigt, at dette tilsluttes og benyttes korrekt.** Brug af en støvopsugning nedsætter risikoen for personskader som følge af støv.
- 4) OMHYGGELIG OMGANG MED OG BRUG AF EL-VÆRKTØJ**
- a) **Undgå overbelastning af maskinen. Brug altid en maskine, der er beregnet til det stykke arbejde, der skal udføres.** Med den rigtige maskine arbejder man bedst og mest sikkert inden for det angivne effektområde.
- b) **Brug ikke en maskine, hvis afbryder er defekt.** En maskine, der ikke kan startes og stoppes, er farlig og skal repareres.
- c) **Træk stikket ud af stikkontakten og/eller fjern akken, inden maskinen indstilles, der skiftes tilbehørsdele, eller maskinen lægges fra.** Disse sikkerhedsforanstaltninger forhindrer utilsigtet start af maskinen.
- d) **Opbevar ubenyttet el-værktøj uden for børns rækkevidde. Lad aldrig personer, der ikke er fortrolige med maskinen eller ikke har gennemlæst disse instrukser, benytte maskinen.** El-værktøj er farligt, hvis det benyttes af ukyndige personer.
- e) **Maskinen bør vedligeholdes omhyggeligt. Kontroller, om bevægelige dele fungerer korrekt og ikke sidder fast, og om delene er brækket eller beskadiget, således at maskinens funktion påvirkes. Få beskadigede dele repareret, inden maskinen tages i brug.** Mange uheld skyldes dårligt vedligeholdte maskiner.
- f) **Sørg for, at skæreværktøjer er skarpe og rene.** Omhyggeligt vedligeholdte skæreværktøjer med skarpe skærekanter sætter sig ikke så hurtigt fast og er nemmere at føre.
- g) **Brug el-værktøj, tilbehør, indsatsværktøj osv. iht. disse instrukser. Tag hensyn til arbejdsforholdene og det arbejde, der skal udføres.** I tilfælde af anvendelse af værktøjet til formål, som ligger uden for det fastsatte anvendelsesområde, kan der opstå farlige situationer.
- 5) SERVICE**
- a) **Sørg for, at maskinen kun repareres af kvalificerede fagfolk, og at der kun benyttes originale reservedele.** Dermed sikres størst mulig maskinsikkerhed.

SIKKERHEDSINSTRUKSER FOR SLIBEMASKINER

- Undgå skader forårsaget af skruer, som eller andre materialer i arbejdsstykket; fjern disse før De begynder at arbejde
- Hold altid ledningen væk fra værktøjets bevægelige dele; for altid ledningen bagud, væk fra værktøjet
- **Fastgør emnet** (det er sikrere at holde emner i en fastgøringsanordning eller skruestik end med hånden)

- Efter endt arbejde skal afbryderen afbrydes og alle bevægelige dele være stoppet før værktøjet sættes til side
- Anvend helt udrullede og sikre forlængerledninger med en kapacitet på 16 A
- I tilfælde af elektrisk eller mekanisk fejlfunktion skal afbryderen straks afbrydes og stikket tages ud af kontakten
- SKIL kan kun sikre en korrekt funktion af værktøjet, hvis der benyttes den rigtige tilbehør, som kan fås hos SKIL-forhandleren
- Dette værktøj må ikke bruges af personer under 16 år
- Under arbejde med værktøjet kan lydniveauet overstige 85 dB(A); brug hørevern
- **Hold elværktøjet i de isolerede greb, fordi båndet kan berøre sin egen ledning** (hvis der slibes i et "levende" kabel, kan det gøre udsatte metaldele på elværktøjet "levende" og kan give operatøren elektrisk stød)
- Hvis kablet beskadiges eller skæres over under arbejdet, ikke berør kablet, og straks træk ud stikket
- Brug ikke værktøjet, hvis kablet er beskadiget; få det skiftet ud af en anerkendt fagmand
- Kontrollér altid at forsyningsspændingen er den samme som den spænding, der er anført på værktøjets navneskilt (værktøj med betegnelsen 230V eller 240V kan også tilsluttes til 220V)
- Denne værktøj er ikke egnet til vandslibning
- **Bearbejd ikke asbestholdigt materiale** (asbest er kræftfremkaldende)
- Støv fra materiale som f.eks. maling, der indeholder bly, nogle træsorter, mineraler og metal kan være skadeligt (kontakt med eller indånding af støvet kan forårsage allergiske reaktioner og/eller sygdomme i luftvejene hos den, der anvender værktøjet, eller hos omkringstående); **bær en støvmaske og arbejd med en støvudsugningsanordning, hvor en sådan kan sluttes til**
- Visse slags støv er klassificeret som kræftfremkaldende (som f.eks. støv fra eg og bøg) især i forbindelse med tilsætningsstoffer til træbehandling; **bær en støvmaske og arbejd med en støvudsugningsanordning, hvor en sådan kan sluttes til**
- Følg de nationale krav, hvad angår støv, for de materialer, du ønsker at arbejde med
- Ved slibning af metal, opstår gnister; brug ikke støvpose/støvsuger og hold andre personer, såvel som brandbare materialer væk fra arbejdsstedet
- Undgå berøring med det løbende slibeband
- Slidte, revnede eller hårdt angrebne slibeband må ikke benyttes
- Bær beskyttelseshandsker, beskyttelsesbriller, tætsiddende tøj og hårbeskyttelse (for langt hår)
- **Fjern altid først stikket fra kontakten, førend De foretager nogle ændringer eller skifter tilbehør**

BETJENING

- Tænd/sluk afbryder
 - start/sluk værktøj ved at trække/slippe aftrækker A ②

! tænd værktøjet før det berører arbejdsemnet
! før der slukkes for værktøjet, skal det løftes op fra arbejdsemnet

- Fastlåsning af afbryderen til vedvarende drift
 - træk aftrækker A ②
 - tryk knappen B ② ind med tommelfingeren
 - giv slip på aftrækkeren
 - fastlåsningsen udløses ved at trække på aftrækker A ② igen og derefter slippe den
- Hastighedskontrol ④

For at få et godt sliberesultat i forskelligt materiale

- med hjulet C kan du indstille den ønskede hastighed
- indstil hastigheden efter det anvendte slibepapirs kornstørrelse
- inden arbejdet på begyndes, findes den optimale hastighed og kornstørrelse ved at prøveslibe på reservemateriale

- Skift af slibeband ⑤
! træk stikket ud af kontakten

- løft armen D
- aftag slibebandet
- påsæt nyt bånd med pilen E trykt på indersiden af båndet pegende i samme retning som pilen på værktøjet
- tryk armen på plads igen

! skift slibeband i tide

! knæk ikke slibeband

I tilfælde af at slibebandet løber af værktøjet (skyldes hovedsagelig dårlig kvalitet af slibeband), gøres følgende

- tænd værktøjet
- drej knap F ② indtil båndet kører parallelt med værktøjets flade side
- brug et nyt slibeband, hvis båndet stadig løber af værktøjet

- Støvsugning ⑥
 - monter støvpos G som vist på tegningen (2 positioner)
 - tøm støvposen med regelmæssige mellemrum for optimal støvsugning
 - når værktøjet benyttes med støvsuger, monter støvsugeradapter H som vist på tegningen (3 positioner)

! brug ikke støvpose/støvsuger når metal slibes

- Støtthåndtag ⑦
Brug arm K til justering af støtthåndtaget J (2 positioner)
- Påsætning af sliberamme ⑧
 - monter sliberammen L for at glatte fladerne uden skrammer eller fordybninger, og sørg for at den sidder godt fast

! sliberamme L bliver meget varm under brug, rør ikke ved den før den er kølet af

! fjern sliberammen L før du opbevarer værktøjet

- Håndtering og styring af værktøjet ⑨
 - hold altid værktøjet parallelt med emnets overflade
- ! under arbejde, hold altid om værktøjet på de grå markerede grebsområde(r)**

! pres ikke for hårdt på værktøjet; lad slibefladen gøre arbejdet for dig

- rejs ikke dit værktøj lodret, hvis slibemærker i emnet vil undgås
- hold ventilationshullerne N ② utildækkede

GODE RÅD

- Ved slibning af ubehandlet træ, anbefales at slibe langs med årenerne i træet
- Ved slibning af alle andre flader bør værktøjet bevæges i ovale bevægelser over materialet
- Til stationær brug skal værktøjet monteres på en arbejdsbænk ved hjælp af 2 skruetvinger M
! monter støvpos G som vist på tegningen
! monter støvsugeradapter H som angivet
- Brug aldrig det samme slibeband til slibning af metal og træ
- Vibrationsniveau

Det vibrationsniveau, der er anført bag på denne betjeningsvejledning er målt i henhold til den standardiserede test som anført i EN 60745; den kan benyttes til at sammenligne to stykker værktøj og som en foreløbig bedømmelse af udsættelsen for vibrationer, når værktøjet anvendes til de nævnte formål

- anvendes værktøjet til andre formål eller med andet eller dårligt vedligeholdt tilbehør, kan dette øge udsættelsesniveauet betydeligt

- de tidsrum, hvor værktøjet er slukket, eller hvor det kører uden reelt at udføre noget arbejde, kan reducere udsættelsesniveauet betydeligt


! beskyt dig selv imod virkningerne af vibrationer ved at vedligeholde værktøjet og dets tilbehør, ved at holde dine hænder varme og ved at organisere dine arbejdsmønstre

VEDLIGEHOLDELSE / SERVICE

- Hold værktøjet og ledningen ren (især ventilationshullerne N ②)
 - fjern fasthængende slibestøv med en pensel
- ! træk stikket ud før rensning**
- Hvis støvsuger ikke længere fungerer ordentligt, kan du åbne huset P som vist og fjerne potentielt ophobet slibestøv ⑪
! træk stikket ud før rensning
- Skulle el værktøjet trods omhyggelig fabrikation og kontrol holde op med at fungere, skal reparationen udføres af et autoriseret serviceværksted for SKIL-elektroværktøj
 - send den uskilte værktøjet sammen med et købsbevis til forhandleren eller nærmeste SKIL serviceværksted (adresser og reservedelstegning af værktøjet findes på www.skileurope.com)

MILJØ

- Elværktøj, tilbehør og emballage må ikke bortskaffes som almindeligt affald (kun for EU-lande)


- i henhold til det europæiske direktiv 2002/96/EF om bortskaffelse af elektriske og elektroniske produkter og gældende national lovgivning, skal brugt elværktøj indsamles separat og bortskaffes på en måde, der skåner miljøet mest muligt
- symbolet  erindrer dig om dette, når udskiftning er nødvendig

N

Båndsliper

7660

INTRODUKSJON

- Dette verktøyet er beregnet til tørr sliping med høy slippeffekt av tre, plast, metall, sparkelmasse og lakkerte overflater
- Les og ta vare på denne brukerveiledningen 

TEKNISKE OPPLYSNINGER

VERKTØYELEMENTER

- A Av/på bryter
- B Knapp til låsing av av/på-bryter
- C Hjul til slipehastighetsvalg
- D Hendel til skifting av slipebånd
- E Pål
- F Knapp til sentrering av båndet
- G Støvpose
- H Støvsugeradapter
- J Støtthåndtak
- K Hendel til støtthåndtakregulering
- L Sliperamme
- M Klemmer for stasjonært bruk
- N Ventilasjonsåpninger

SIKKERHET

GENERELLE SIKKERHETSANVISNINGER

OBS! Les gjennom alle advarslene og anvisningene.

Feil ved overholdelsen av advarslene og nedenstående anvisninger kan medføre elektriske støt, brann og/eller alvorlige skader. **Ta godt vare på alle advarslene og informasjonene.** Det nedenstående anvendte uttrykket "elektroverktøy" gjelder for strømndrevne elektroverktøy (med ledning) og batteridrevne elektroverktøy (uten ledning).

1) SIKKERHET PÅ ARBEIDSPLASSEN

- a) **Hold arbeidsområdet rent og ryddig.**
Rotete arbeidsområder eller arbeidsområder uten lys kan føre til ulykker.
- b) **Ikke arbeid med maskinen i eksplosjonsutsatte omgivelser – der det befinner seg brennbare væsker, gass eller støv.** Elektroverktøy lager gnister som kan antenne støv eller damper.

- c) **Hold barn og andre personer unna når elektroverktøyet brukes.** Hvis du blir forstyrret under arbeidet, kan du miste kontrollen over maskinen.

2) ELEKTRISK SIKKERHET

- a) **Støpelet til maskinen må passe inn i stikkkontakten. Støpelet må ikke forandres på noen som helst måte. Ikke bruk adapterstøpsler sammen med jordede maskiner.** Bruk av støpsler som ikke er forandret på og passende stikkontakter reduserer risikoen for elektriske støt.
- b) **Unngå kroppskontakt med jordede overflater slik som rør, ovner, komfyrer og kjøleskap.** Det er større fare ved elektriske støt hvis kroppen din er jordnet.
- c) **Hold maskinen unna regn eller fuktighet.** Dersom det kommer vann i et elektroverktøy, øker risikoen for elektriske støt.
- d) **Ikke bruk ledningen til andre formål, f.eks. til å bære maskinen, henge den opp eller trekke den ut av stikkkontakten. Hold ledningen unna varme, olje, skarpe kanter eller maskindeler som beveger seg.** Med skadede eller opphopede ledninger øker risikoen for elektriske støt.
- e) **Når du arbeider utendørs med et elektroverktøy, må du kun bruke en skjøteledning som er godkjent til utendørs bruk.** Når du bruker en skjøteledning som er egnet for utendørs bruk, reduseres risikoen for elektriske støt.
- f) **Hvis det ikke kan unngås å bruke elektroverktøyet i fuktige omgivelser, må du bruke en jordfeilbryter.** Bruk av en jordfeilbryter reduserer risikoen for elektriske støt.

3) PERSONSIKKERHET

- a) **Vær oppmerksom, pass på hva du gjør, gå fornuftig frem når du arbeider med et elektroverktøy. Ikke bruk maskinen når du er trett eller er påvirket av narkotika, alkohol eller medikamenter.** Et øyeblikks uoppmerksomhet ved bruk av maskinen kan føre til alvorlige skader.
- b) **Bruk personlig verneutstyr og husk alltid å bruke vernebriller.** Bruk av personlig sikkerhetsutstyr som støvmaske, sklifaste arbeidssko, hjelm eller hørselvern – avhengig av type og bruk av elektroverktøyet – reduserer risikoen for skader.
- c) **Unngå å starte verktøyet ved en feiltagelse. Forvis deg om at elektroverktøyet er slått av før du kobler det til strømmen og/eller batteriet, løfter det opp eller bærer det.** Hvis du holder fingeren på bryteren når du bærer elektroverktøyet eller kobler elektroverktøyet til strømmen i innkoblet tilstand, kan dette føre til uhell.
- d) **Fjern innstillingsverktøy eller skrunøkler før du slår på elektroverktøyet.** Et verktøy eller en nøkkel som befinner seg i en roterende maskindel, kan føre til skader.
- e) **Ikke overvurder deg selv. Sørg for å stå stødig og i balanse.** Dermed kan du kontrollere maskinen bedre i uventede situasjoner.
- f) **Bruk alltid egnede klær. Ikke bruk vide klær eller smykker. Hold hår, tøy og hansker unna deler som beveger seg.** Løstsittende tøy, smykker eller langt hår kan komme inn i deler som beveger seg.

- g) Hvis det kan monteres støvavsug- og oppsamlingsinnretninger, må du forvisse deg om at disse er tilkoblet og brukes på korrekt måte.

Bruk av et støvavsug reduserer farer på grunn av støv.

4) AKTUSOM HÅNÐTERING OG BRUK AV ELEKTROVERKTØY

- a) Ikke overbelast maskinen. Bruk et elektroverktøy som er beregnet til den type arbeid du vil utføre. Med et passende elektroverktøy arbeider du bedre og sikrere i det angitte effektområdet.
- b) Ikke bruk elektroverktøy med defekt på-/avbryter. Et elektroverktøy som ikke lenger kan slås av eller på, er farlig og må repareres.
- c) Trekk støpselet ut av stikkkontakten og/eller fjern batteriet før du utfører innstillinger på elektroverktøyet, skifter tilbehørsdeler eller legger maskinen bort. Disse tiltakene forhindrer en utilsiktet startung av maskinen.
- d) Elektroverktøy som ikke er i bruk må oppbevares utilgjengelig for barn. Ikke la maskinen brukes av personer som ikke er fortrolig med dette eller ikke har lest disse anvisningene. Elektroverktøy er farlige når de brukes av uerfarne personer.
- e) Vær nøye med vedlikeholdet av maskinen. Kontroller om bevegelige maskindeler fungerer feilfritt og ikke klemmes fast, og om deler er brukket eller skadet, slik at dette innvirker på maskinens funksjon. La skadede deler repareres før maskinen brukes. Dårlig vedlikeholdte elektroverktøy er årsaken til mange uhell.
- f) Hold skjæreverktøyene skarpe og rene. Godt stelte skjæreverktøy med skarpe skjær setter seg ikke så ofte fast og er lettere å føre.
- g) Bruk elektroverktøy, tilbehør, verktøy osv. i henhold til disse anvisningene. Ta hensyn til arbeidsforholdene og arbeidet som skal utføres. Bruk av elektroverktøy til andre formål enn det som er angitt kan føre til farlige situasjoner.
- #### 5) SERVICE
- a) Maskinen din skal alltid kun repareres av kvalifisert fagpersonale og kun med originale reservedeler. Slik opprettholdes maskinens sikkerhet.

SIKKERHETSANVISNINGER FOR SLIPERE

- Ungå skade p.g.a. skruer, spiker eller andre elementer i arbeidsstykket; fjernes før man starter jobben
- Hold alltid kabelen borte fra bevegelige deler på verktøyet; før kabelen bakover bort fra verktøyet
- Sett fast arbeidsstykket (et arbeidsstykke som er sikret med klemmer, sitter sikrere enn om det holdes fast for hånd)
- Når du setter bort verktøyet må bryteren slås av, bevegelige deler må være helt stoppet
- Bruk helt utrullet og sikker skjøteledning med en kapasitet på 16 A
- I tilfelle en elektrisk eller mekanisk svikt, skal verktøyet med en gang slås av og støpslet trekkes ut
- SKIL kan kun garantere et feilfritt verktøy dersom riktig tilbehør brukes, som leveres fra SKIL-forhandleren på stedet

- Verktøyet må ikke brukes av personer under 16 år
- Støynivået under arbeid kan overskride 85 dB(A); bruk hørselvern
- Ta kun tak i elektroverktøyet på de isolerte gripeflatene, for båndet kan komme i berøring med ledningen (hvis en strømførende ledning kuttetes, kan metalldele på elektroverktøyet bli strømførende og brukeren kan få elektrisk støt)
- Hvis kabelen skades eller kappes under arbeid må kabelen ikke berøres, men støpselet straks trekkes ut
- Bruk ikke verktøyet dersom kabel er skadet; få den skiftet ud af en anerkendt fagmand
- Sjekk alltid at tilført spenningen er den samme som oppgitt på verktøyet merkeplate (verktøy som er betegnet med 230V eller 240V kan også tilkoples 220V)
- Dette verktøyet passer ikke for vannsliping
- Ikke bearbeid asbestholdig material (asbest kan fremkalle kreft)
- Støv fra materialer som blyholdig maling, visse tresorter, mineraler og metall kan være skadelig (kontakt med eller inhalering av støv kan gi allergiske reaksjoner og/eller sykdommer i åndedrettsorganene for brukeren eller personer i nærheten); bruk støvmaske og arbeid med støvfjerningsutstyr når det er mulig
- Visse typer støv er klassifisert som kreftfremkallende (som f.eks. støv fra eik og bøk), spesielt sammen med tilsetningsstoffer for trebehandling; bruk støvmaske og arbeid med støvfjerningsutstyr når det er mulig
- Følg de nasjonale krav, når det gjelder støv for de materialer du ønsker å arbeide med
- Ved sliping av metall vil det gnistre; bruk ikke støvposen/støvsuger og hold andre personer og brennbar materiale unna arbeidsområdet
- Ikke berør pussebåndet når det er igang
- Slitte, revnede eller svært belastede pussebånd må ikke brukes videre
- Bruk beskyttelseshansker, vernebriller, tetsittende klær og hårnett (ved langt hår)
- Ta alltid ut kontakten før du forandrer innstillinger på saken eller skifter tilbehør

BRUK

- Av/på bryter
- slå på/av verktøyet ved å trekke inn/frigjøre bryter A ②
! før slipeflate kommer i kontakt med arbeidsstykket, bør du slå på verktøyet
! før verktøyet slås av, løft det bort fra arbeidsstykket
- Låsning av bryteren for permanent drift
 - trykk inn bryteren A ②
 - trykk inn knappen B ② med tommelen
 - løsne bryteren
 - løsne låsen ved å trykke inn bryter A ② og frigjøre den
- Hastighetsregulering ④
For optimalt sliperesultat på forskjellige materialer
 - slipingshastigheten kan varieres med hjulet C
 - juster hastigheten etter koringen på pusseskiven

- før man starter jobben, anbefales det å prøve seg fram til optimal hastighet og korning på et prøveunderlag
- Bytting av pussebånd ⑤
 - ! **trekk ut støpslet av stikkkontakten**
 - løft hendel D
 - ta bort pussebåndet
 - sett i nytt papir med pilen på innersiden pekende i samme retning som pilen E på verktøyet
 - dytt hendel på plass
 - ! **bytt pussebåndet i tide**
 - ! **brett aldri pussebåndet**
- Hvis pussebåndet kommer av verktøyet (vanligvis p.g.s. dårlig beltekalitet), bør du
 - slå på verktøyet
 - vri knappen F ② til pussebåndet løper i kant med den flate siden av verktøyet
 - bruke nytt belte hvis det fremdeles kommer av
- Støvoppsuging ⑥
 - monter støvposen G som vist på tegningen (2 posisjoner)
 - tøm støvposen regelmessig for optimalt støvavsug
 - ved bruk av verktøy med støvsugeren, monter støvsugeradapter H som vist på tegningen (3 posisjoner)
 - ! **bruk ikke støvposen/støvsugeren ved sliping av metall**
- Støtthåndtak ⑦
 - Bruk hendel K til justering av støtthåndtaket J (2 posisjoner)
- Montering av sliperamme ⑧
 - monter sliperamme L for utjevning av overflater uten riper eller spor, og sørg for at den sitter på plass
 - ! **sliperamme L blir meget varm mens den er i bruk; må ikke røres før den er avkjølt**
 - ! **fjern sliperamme L før du legger verktøyet til oppbevaring**
- Grep og styring av verktøyet ⑨
 - før verktøyet parallelt med arbeidsoverflaten
 - ! **under arbeid, hold verktøyet alltid i grått(gråe) grepsområde(r)**
 - ! **ikke øv for mye press på verktøyet; la slipeflaten gjøre jobben for deg**
 - unngå å føre verktøyet på skrå, da dette vil føre til riper
 - hold ventilasjonsåpningen N ② utildekket

BRUKER TIPS

- Ved pussing av tre overflater som skal lakeres før verktøyet rett frem og tilbake med veden
- For all annen pussing av overflate før verktøyet i ovale bevegelser over materialet
- For stasjonært bruk, monter verktøyet på arbeidsbenken ved hjelp av 2 klemmer M
 - ! **monter støvposen G som vist på tegningen**
 - ! **monter støvsugeradapter H som vist**
- Berbeid aldri tre og metall med samme pussebånd

- Vibrasjonsnivå
 - Det angitte vibrasjonsnivået som er angitt bak i denne bruksanvisningen er blitt målt i samsvar med en standardisert test som er angitt i EN 60745; den kan brukes til å sammenligne et verktøy med et annet, og som et foreløpig overslag over eksponering for vibrasjoner ved bruk av verktøyet til de oppgavene som er nevnt
 - bruk av verktøyet til andre oppgaver, eller med annet eller mangelfullt vedlikeholdt utstyr, kan gi en vesentlig **økning** av eksponeringsnivået
 - tidsrommene når verktøyet er avslått eller når det går men ikke arbeider, kan gi en vesentlig **reduksjon** av eksponeringsnivået
 - ! **beskytt deg selv mot virkningene av vibrasjoner ved å vedlikeholde verktøyet og utstyret, holde hendene varme og organisere arbeidsmåten din**

VEDLIKEHOLD / SERVICE

- Hold alltid verktøyet og kabelen ren (spesielt ventilasjonshullene N ②)
 - fjern slipestøv med en pensel
 - ! **dra ut støpselet før rengjøring**
- Hvis støvavsuging ikke fungerer som det skal, kan du åpne huset P som vist slik at du kan fjerne eventuelt slipestøv ⑪
 - ! **dra ut støpselet før rengjøring**
- Hvis elektroverktøyet til tross for omhyggelige produksjons- og kontrollmetoder en gang skulle svikte, må reparasjonen utføres av et autorisert serviceverksted for SKIL-elektroverktøy
 - send verktøyet i **montert** tilstand sammen med kjøpebevis til forhandleren eller nærmeste SKIL servicecenter (adresser liksom service diagram av verktøyet finner du på www.skileurope.com)

MILJØ

- **Kast aldri elektroverktøy, tilbehør og emballasje i husholdningsavfallet** (kun for EU-land)
 - i henhold til EU-direktiv 2002/96/EF om kasserte elektriske og elektroniske produkter og direktivets iværksetting i nasjonal rett, må elektroverktøy som ikke lenger skal brukes, samles separat og returneres til et miljøvennlig gjenvinningsanlegg
 - symbolet ⑫ er påtrykt som en påminnelse når utskifting er nødvendig

FIN

Nauhahiomakone

7660

ESITTELY

- Koneet on tarkoitettu puun, muovin, metallin, spakkeihin ja lakattujen pintojen kuivahiontaan suurella hiomateholla
- Lue ja säilytä tämä ohjekirja ③

TEKNISEET TIEDOT ①

LAITTEEN OSAT ②

- A Virtakytin
- B Virtakytimen lukitusnappi
- C Hiomanopeudensäätopöytä
- D Vipu hiomanauhojen vaihtamiseksi
- E Nuoli
- F Nauhan keskityksen säätönappi
- G Pölypussi
- H Pölynimurin sovitin
- J Apukahva
- K Vipu apukahvan säätämiseksi
- L Hiontakehus
- M Puristimet pöytäkiinnitystä varten
- N Ilmanvaihto-aukot

TURVALLISUUS

YLEISET TURVALLISUUSOHJEET

⚠ HUOMIO! Lue kaikki turvallisuus- ja muut ohjeet. Turvallisuusohjeiden noudattamisen laiminlyönti saattaa johtaa sähköiskuun, tulipaloon ja/tai vakavaan loukkaantumiseen. **Säilytä kaikki turvallisuus- ja muut ohjeet tulevaisuutta varten.** Turvallisuusohjeissa käytetty käsite "sähkötyökalu" käsittää verkkokäyttöisiä sähkötyökaluja (verkkojohdolla) ja akkukäyttöisiä sähkötyökaluja (ilman verkkojohtoa).

1) TYÖPAIKAN TURVALLISUUS

- a) **Pidä työskentelyalue puhtaana ja hyvin valaistuna.** Työpaikan epäjärjestys tai valaisemattomat työalueet voivat johtaa tapaturmiin.
- b) **Älä työskentele sähkötyökalulla räjähdysalttiissa ympäristössä, jossa on palavaa nestettä, kaasua tai pölyä.** Sähkötyökalu muodostaa kipinöitä, jotka saattavat sytyttää pölyn tai höyryt.
- c) **Pidä lapset ja sivulliset loitolla sähkötyökalua käyttäessäsi.** Voit menettää laitteese hallinnan, huomiosi suuntautuessa muualle.

2) SÄHKÖTURVALLISUUS

- a) **Sähkötyökalun pistotulpan tulee sopia pistorasiaan. Pistotulppaa ei saa muuttaa millään tavalla. Älä käytä mitään pistorasia-adaptoreita maadoitettujen sähkötyökalujen kanssa.** Alkuperäisessä kunnossa olevat pistotulpat ja sopivat pistorasiat vähentävät sähköiskun vaaraa.
- b) **Vältä koskettamasta maadoitettuja pintoja, kuten putkia, pattereita, liesiä tai jääkaappeja.** Sähköiskun vaara kasvaa, jos kehosi on maadoitettu.
- c) **Älä aseta sähkötyökalua aaltiksi sateelle tai kosteudelle.** Veden tunkeutuminen sähkötyökalun sisään kasvattaa sähköiskun riskiä.

- d) **Älä käytä verkkojohtoa väärin. Älä käytä sitä sähkötyökalun kantamiseen, vetämiseen tai pistotulpan irrottamiseen pistorasiasta. Pidä johto loitolla kuumuudesta, öljystä, terävistä reunoista ja liikkuvista osista.** Vahingoittuneet tai sokkeutuneet johdot kasvattavat sähköiskun vaaraa.
- e) **Käyttäessäsi sähkötyökalua ulkona, käytä ainoastaan ulkokäyttöön soveltuvaa jatkojohtoa.** Ulkokäyttöön soveltuvan jatkojohdon käyttö pienentää sähköiskun vaaraa.
- f) **Jos sähkötyökalun käyttö kosteassa ympäristössä ei ole vältettävissä, tulee käyttää maavuotokatkaisijaa.** Maavuotokatkaisijan käyttö vähentää sähköiskun vaaraa.

3) HENKILÖTURVALLISUUS

- a) **Ole valpas, kiinnitä huomiota työskentelyysi ja noudata tervettä järkeä sähkötyökalua käyttäessäsi. Älä käytä sähkötyökalua, jos olet väsynyt tai huumeiden, alkoholin tahi lääkkeiden vaikutuksen alaisena.** Hetken tarkkaamattomuus sähkötyökalua käytettäessä, saattaa johtaa vakavaan loukkaantumiseen.
 - b) **Käytä suojarusteita. Käytä aina suojalaseja.** Henkilökohtaisen suojarustuksen käyttö, kuten pölynaamarin, luistamattomien turvakenkien, suojakypärän tai kuulonsuojaimien, riippuen sähkötyökalun lajista ja käyttötavasta, vähentää loukkaantumisriskiä.
 - c) **Vältä tahatonta käynnistämistä. Varmista, että sähkötyökalu on poiskytkettynä, ennen kuin liität sen sähköverkkoon ja/tai liität akun, otat sen käteen tai kannat sitä.** Jos kannat sähkötyökalua sormi käynnistyskytkimellä tai kytket sähkötyökalun pistotulpan pistorasiaan, käynnistyskytkimen ollessa käyntiasennossa, altistat itsesi onnettomuuksille.
 - d) **Poista kaikki säätötyökalut ja ruuvitalat, ennen kuin käynnistät sähkötyökalun.** Työkalu tai avain, joka sijaitsee laitteen pyörivässä osassa, saattaa johtaa loukkaantumiseen.
 - e) **Älä yllirvioi itseäsi. Huolehdi aina tukevasta seisoma-asennosta ja tasapainosta.** Täten voit paremmin hallita sähkötyökalua odottamattomissa tilanteissa.
 - f) **Käytä tarkoitukseen soveltuvia vaatteita. Älä käytä löysiä työvaatteita tai koruja. Pidä hiukset, vaatteet ja käsineet loitolla liikkuvista osista.** Väljät vaatteet, korut ja pitkät hiukset voivat takertua liikkuviin osiin.
 - g) **Jos pölynimu- ja keräilylaitteita voidaan asentaa, tulee sinun tarkistaa, että ne on liitetty ja että ne käytetään oikealla tavalla.** Pölynimulaitteiston käyttö vähentää pölyn aiheuttamia vaaroja.
- #### 4) SÄHKÖTYÖKALUJEN KÄYTTÖ JA HOITO
- a) **Älä ylikuormita laitetta. Käytä kyseiseen työhön tarkoitettua sähkötyökalua.** Sopivaa sähkötyökalua käyttäen työskentelet paremmin ja varmemmin tehoalueella, jolle sähkötyökalu on tarkoitettu.

- b) **Älä käytä sähkötyökalua, jota ei voida käynnistää ja pysäyttää käynnistyskytkimestä.** Sähkötyökalu, jota ei enää voida käynnistää ja pysäyttää käynnistyskytkimellä, on vaarallinen ja se täytyy korjata.
- c) **Irrota pistotulppa pistorasiasta, ennen kuin suoritat säätöjä, vaihdat tarvikkeita tai siirrä sähkötyökalun varastoitavaksi.** Nämä turvatoimenpiteet pienentävät sähkötyökalun tahattoman käynnistysriskin.
- d) **Säilytä sähkötyökalut poissa lasten ulottuvilta, kun niitä ei käytetä. Älä anna sellaisten henkilöiden käyttää sähkötyökalua, jotka eivät tunne sitä tai jotka eivät ole lukeneet tätä käyttöohjetta.** Sähkötyökalut ovat vaarallisia, jos niitä käyttävät kokemattomat henkilöt.
- e) **Hoida sähkötyökalusi huolella. Tarkista, että liikkuvat osat toimivat moitteettomasti, eivätkä ole puristuksessa sekä, että siinä ei ole murtuneita tai vahingoittuneita osia, jotka saattaisivat vaikuttaa haitallisesti sähkötyökalun toimintaan. Anna korjauttaa mahdolliset viat ennen käyttöönottoa.** Monen tapaturman syyt löytyvät huonosti huolletuista laitteista.
- f) **Pidä leikkauserät terävinä ja puhtaina.** Huolellisesti hoidetut leikkaustyökalut, joiden leikkausreunat ovat teräviä, eivät tartu helposti kiinni ja niitä on helpompi hallita.
- g) **Käytä sähkötyökaluja, tarvikkeita, vaihtotyökaluja jne. näiden ohjeiden mukaisesti. Ota tällöin huomioon työolosuhteet ja suoritettava toimenpide.** Sähkötyökalun käyttö muuhun kuin sille määrättyyn käyttöön, saattaa johtaa vaarallisiin tilanteisiin.
- 5) HUOLTO**
- a) **Anna koulutettujen ammattihenkilöiden korjata sähkötyökalusi ja hyväksy korjauksiin vain alkuperäisiä varaosia.** Täten varmistat, että sähkötyökalu säilyy turvallisena.

HIOMAKONEEN TURVALLISUUSOHJEET

- Vältä vaaralliset vahingot, jotka voivat aiheutua nauloista, ruuveista tai muista aineista työstettävässä materiaalissa; poista ne ennen työskentelyn aloittamista
- Pidä johto aina poissa työkalun liikkuvien osien läheisyydestä; kohdista johto takaosaa kohti pois työkalusta
- **Kiinnitä työstettävä kappale** (kiinnittimeen tai puristimeen kiinnitetty työstettävä kappale pysyy tukevammin paikoillaan kuin käsin pidettäessä)
- Kun panet koneen pois, sammuta moottori ja varmista, että kaikki liikkuvat osat ovat pysähtyneet
- Käytä täysin rullaamattomia ja turvallisia jatkejohtoja, joiden kapasiteetti on 16 ampeeria
- Jos huomaat sähköisen tai mekaanisen vian, sammuta kone heti ja irrota liitosjohto pistorasiasta
- SKIL pystyy takaamaan työkalun moitteettoman toiminnan vain, kun käytetään oikeita tarvikkeita, jotka ovat saatavana SKIL-myyntiliikkeestä
- Tätä työkalua saavat käyttää vain 16 vuotta täyttäneet henkilöt

- Työkenneltäessä melutaso saattaa ylittää 85 dB(A); jolloin suositellaan kuulosuojaimien käyttöä
- **Pidä kiinni laitteen eristetyistä tartuntapinnoista, koska nauha voi koskea laitteen johtoon** (jos jännitteinen johto vaurioituu, laitteen paljaisiin metalliosiin voi tulla jännite ja laitteen käyttäjä voi saada sähköiskun)
- Jos sähköjohto vahingoittuu tai katkeaa työn aikana ei johtoa saa koskettaa, vaan pistotulppa on välittömästi irrotettava pistorasiasta
- Älä käytä työkalua, kun johto on vioittunut; ja toimita valtuutettuun huoltoilikeeseen
- Tarkista aina, että syöttöjännite on sama kuin työkalun nimilaatan osoittama jännite (työkalut, joiden jännitetaso on 230V tai 240V, voidaan kytkeä myös 220V tason jännitteeseen)
- Tämä kone ei ole tarkoitettu vesihiontaan
- **Älä koskaan työstä asbestipitoista ainetta** (asbestia pidetään karsinogeenisena)
- Materiaaleista, kuten liijypitoinen maali, jotkut puulajit, mineraalit ja metalli, tuleva pöly voi olla vahingollista (kosketuksiin joutuminen pölyn kanssa tai sen sisään hengittäminen voi aiheuttaa käyttäjälle tai sivustakatsojille allergiareaktioita ja/tai hengitysvaivoja); **käytä pölynaamarina ja työskentele pölynpoistolaitteen kanssa, kun sellainen on liitettävissä**
- Tietyyntyyppiset pölyt on luokiteltu karsinogeenisiksi (kuten tammi- ja pyökkipöly) erityisesti puun käsittelyyn käytettävien lisäaineiden yhteydessä; **käytä pölynaamarina ja työskentele pölynpoistolaitteen kanssa, kun sellainen on liitettävissä**
- Noudata maakohtaisia pölyyn liittyviä sääntöjä
- Metallia hiottaessa syntyy kipinöitä; älä käytä pölypussia/pölynimuria ja huolehdi siitä, ettei lähellä ole muita henkilöitä eikä tulenarkoja materiaaleja
- Älä kosketa liikkuvaa hiomanauhaa
- Älä jatka kuluneiden, repeytyneiden tai voimakkaasti tukkeutuneiden nauhojen käyttämistä
- Käytä suojakäsineitä, suojalasit, vartalonmukaista vaatetusta ja suojaa pitkät hiukset
- **Irrota aina pistotulppa pistorasiasta, ennen kuin suoritat laitteelle mitään säätöjä tai vaihdat tarviketta**

KÄYTTÖ

- Virtakytkin
 - käynnistä/sammuta koneesi painamalla/vapauttamalla kytkintä A ②
 - ! **koneen tulee olla käynnissä ennen kuin se koskettaa työkalua**
 - ! **ennen koneen sammuttamista se tulee nostaa irti työkaluleestä**
- Kytkimen lukitseminen jatkuvaa käyttöä varten
 - paina kytkintä A ②
 - paina nuppia B ② peukalollasi
 - vapauta kytkintä
 - irrota lukitus painamalla uudelleen kytkintä A ② ja vapauttamalla se

- Nopeudensäätö ④
Ihanteellisen hiomatuloksen saavuttamiseksi eri materiaaleilla
 - säätopyörästä C voit asettaa haluamasi hiomanopeuden
 - säädä nopeus hiontakarkeuden mukaan
 - ennen työn aloittamista etsi optimaalinen nopeus ja karkeus kokeilemalla koepalaa
- Hiomanauhojen vaihtaminen ⑤
! vedä pistoke pistorasiasta
 - nosta vipu D
 - irroita hiomanauha
 - asenna uusi nauha siinä olevien nuolien osoittamaan pyörimissuuntaan koneen nuolien E mukaisesti
 - paina vipu takaisin**! vaihda hiomanauhat uusiin ajoissa**
! älä koskaan taivuta hiomanauhoja
 Jos nauha vierittyy pois työkalusta (yleensä heikkolaatuisen nauhan aiheuttamana), suorita seuraavat toimenpiteet
 - käynnistä kone
 - käännä nuppia F ② niin, että nauha pyörii koneen suoran sivun tasalla
 - käytä vipu nauhaa, jos nauha edelleen vierittyy pois
- Pölynimu ⑥
- asenna pölypussi G kuvan mukaisesti (2 asentoa)
 - tyhjennä pölypussi säännöllisesti optimaalisen pölynimurin saavuttamiseksi
 - käyttäessäsi konetta pölynimurin kanssa pölynimuria, asenna pölynimurin adapteri H kuvan mukaisesti (3 asentoa)**! älä käytä pölypussi/pölynimuria metallihionnassa**
- Apukahva ⑦
Säädä apukahva J vipusta K (2 asentoa)
- Hiontakehysten kiinnittäminen ⑧
 - asenna hiontakehys L naarmuttomien tai urattomien pintojen tasaamista varten, ja varmista, että se on kunnolla paikallaan**! hiontakehys L kuumenee käytön aikana; älä koske kehukseen ennen kuin se on jäähtynyt**
! irrota hiontakehys L ennen työkalun säilyttämistä
- Koneen pitäminen ja ohjaaminen ⑨
 - ohjaa koneen työstettävän pinnan suuntaisesti**! pidä työkalusta kiinni aina työskentelyn aikana harmaan värisestä kädensija(o)sta**
! älä kohdista liian paljon painetta työkaluun, anna sen tehdä työtä puolestasi
 - älä kallista konetta, kallistaminen voi aiheuttaa syviä ei-toivottuja hiontajälkiä
 - pidä ilmanvaihto-aukkoja N ② peittämättöminä

VINKKEJÄ

- Hiottaessa paljaita puupintoja liikuta konetta puun syiden suuntaisesti
- Muita pintoja hiottaessa liikuta konetta soikein liikkein
- Pöytäkiinnitystä varten aseta 2 puristimet M koneen rungossa oleviin reikiin

! asenna pölypussi G kuvan mukaisesti

! asenna pölynimurin adapteri H kuvan mukaisesti

- Älä koskaan hio puuta ja metallia samalla hiomanauhalla
- Tärinätaso
Tämän ohjekirjan takana mainittu tärinäsaateilytaso on mitattu standardin EN 60745 mukaisen standarditestin mukaisesti; sitä voidaan käyttää verrattaessa yhtä laitetta toiseen sekä alustavana tärinälle altistumisen arviona käytettäessä laitetta manituissa käyttötarkoituksissa
 - laitteen käyttö eri käyttötarkoituksiin tai erilaisten tai huonosti ylläpidettyjen lisälaitteiden kanssa voi **lisätä** merkittävästi altistumistasoa
 - laitteen ollessa sammuksissa tai kun se on käynnissä, mutta sillä ei tehdä työtä, altistumistasoa voi olla huomattavasti **pienempi**
- **! suojaudu tärinän vaikutuksilla ylläpitämällä laite ja sen lisävarusteet, pitämällä kädet lämpiminä ja järjestämällä työmenetelmät**

HOITO / HUOLTO

- Pidä työkalu ja johto puhtaina (varmista erityisesti ilma-aukkojen puhdistus N ②)
 - poista kiinnitartunut pöly siveltimellä
- **! irrota liitosjohto aina puhdistuksen ajaksi pistorasiasta**
- Jos pölynimu ei toimi enää kunnolla, voit avata kotelo-osan P kuvassa esitetyllä tavalla tavalla ja poistaa sisään kertyneen hiontapölyn ⑩
- **! irrota liitosjohto aina puhdistuksen ajaksi pistorasiasta**
- Jos sähkötyökalussa, huolellisesta valmistuksesta ja koestusmenettelystä huolimatta esiintyy vikaa, tulee korjaus antaa SKIL sopimushuollon tehtäväksi
 - toimita työkalu sitä osiin **purkamatta** lähimpään SKIL-huoltoon (osoitteet ja työkalun huoltokaava ovat tarjolla web-osoitteessa www.skileurope.com) ostotodiste mukaan liitettynä

YMPÄRISTÖNSUOJELU

- **Älä hävitä sähkötyökalua, tarvikkeita tai pakkausta tavallisen kotitalousjätteen mukana** (koskee vain EU-maita)
 - vanhoja sähkö- ja elektroniikkalaitteita koskevan EU-direktiivin 2002/96/ETY ja sen maakohtaisten sovellusten mukaisesti käytetyt sähkötyökalut on toimitettava ongelmajätteen keräyspisteeseen ja ohjattava ympäristöystävälliseen kierrätykseen
 - symboli ⑫ muistuttaa tästä, kun käytöstä poisto tulee ajankohtaiseksi

Lijadora de banda

7660

INTRODUCCIÓN

- Esta herramienta está diseñada para lijar en seco madera, materiales plásticos, metal, emplastecido y superficies pintadas, con un elevado rendimiento en el arranque de material
- Lea y conserve este manual de instrucciones ③

CARACTERISTICAS TECNICAS ①

ELEMENTOS DE LA HERRAMIENTA ②

- A Interruptor de activación/desactivación
- B Botón de bloqueo del interruptor On/off
- C Rueda de selección de velocidad de lija
- D Palanca para cambiar la banda de lija
- E Flecha
- F Botón para ajustar el centrado de la banda
- G Bolsa de polvo
- H Adaptador para aspirador
- J Empuñadura auxiliar
- K Palanca para ajustar la empuñadura auxiliar
- L Marco de lijado
- M Abrazaderas para un uso estacionario
- N Ranuras de ventilación

SEGURIDAD

INSTRUCCIONES GENERALES DE SEGURIDAD

⚠ ¡ATENCIÓN! Lea íntegramente estas advertencias de peligro e instrucciones. En caso de no atenderse a las advertencias de peligro e instrucciones siguientes, ello puede ocasionar una descarga eléctrica, un incendio y/o lesión grave. **Guardar todas las advertencias de peligro e instrucciones para futuras consultas.** El término "herramienta eléctrica" empleado en las siguientes advertencias de peligro se refiere a herramientas eléctricas de conexión a la red (con cable de red) y a herramientas eléctricas accionadas por acumulador (o sea, sin cable de red).

1) SEGURIDAD DEL PUESTO DE TRABAJO

- a) **Mantenga limpia y bien iluminada su área de trabajo.**
El desorden o una iluminación deficiente en las áreas de trabajo pueden provocar accidentes.
- b) **No utilice la herramienta eléctrica en un entorno con peligro de explosión, en el que se encuentren combustibles líquidos, gases o material en polvo.**
Las herramientas eléctricas producen chispas que pueden llegar a inflamar los materiales en polvo o vapores.

- c) **Mantenga alejados a los niños y otras personas de su área de trabajo al emplear la herramienta eléctrica.** Una distracción le puede hacer perder el control sobre la herramienta.

2) SEGURIDAD ELÉCTRICA

- a) **El enchufe de la herramienta debe corresponder a la toma de corriente utilizada. No es admisible modificar el enchufe en forma alguna. No emplear adaptadores en herramientas dotadas con una toma de tierra.** Los enchufes sin modificar adecuados a las respectivas tomas de corriente reducen el riesgo de una descarga eléctrica.
- b) **Evite que su cuerpo toque partes conectadas a tierra como tuberías, radiadores, cocinas y refrigeradores.** El riesgo a quedar expuesto a una descarga eléctrica es mayor si su cuerpo tiene contacto con tomas de tierra.
- c) **No exponga las herramientas eléctricas a la lluvia o a condiciones de humedad.** Existe el peligro de recibir una descarga eléctrica si penetran líquidos en la herramienta.
- d) **No utilice el cable de red para transportar o colgar la herramienta, ni tire de él para sacar el enchufe de la toma de corriente. Mantenga el cable de red alejado del calor, aceite, esquinas cortantes o piezas móviles.** Los cables de red dañados o enredados pueden provocar una descarga eléctrica.
- e) **Al trabajar con la herramienta eléctrica en la intemperie utilice solamente cables de prolongación homologados para su uso en exteriores.**
La utilización de un cable de prolongación adecuado para su uso en exteriores reduce el riesgo de una descarga eléctrica.
- f) **Si el funcionamiento de una herramienta eléctrica en un lugar húmedo fuese inevitable, utilice un cortacircuito de fuga a tierra.** El uso de un cortacircuito de fuga a tierra reduce el riesgo de descarga eléctrica.

3) SEGURIDAD DE PERSONAS

- a) **Esté atento y emplee la herramienta con prudencia. No utilice la herramienta eléctrica si estuviese cansado, ni bajo los efectos de alcohol, drogas o medicamentos.** El no estar atento durante el uso de una herramienta eléctrica puede provocar serias lesiones.
- b) **Utilice un equipo de protección personal y en todo caso unas gafas de protección.** El riesgo a lesionarse se reduce considerablemente si, dependiendo del tipo y la aplicación de la herramienta eléctrica empleada, se utiliza un equipo de protección adecuado como una mascarilla antipolvo, zapatos de seguridad con suela antideslizante, casco, o protectores auditivos.

c) **Evite una puesta en marcha fortuita. Asegurarse de que la herramienta eléctrica esté desconectada antes de conectarla a la toma de corriente y/o al montar el acumulador, al recogerla, y al transportarla.** Si transporta la herramienta eléctrica sujetándola por el interruptor de conexión/desconexión, o si introduce el enchufe en la toma de corriente con la herramienta eléctrica conectada, ello puede dar lugar a un accidente.

d) **Retire las herramientas de ajuste o llaves fijas antes de conectar la herramienta eléctrica.**
Una herramienta o llave colocada en una pieza rotativa puede producir lesiones graves al accionar la herramienta eléctrica.

e) **Sea precavido. Trabaje sobre una base firme y mantenga el equilibrio en todo momento.** Ello le permitirá controlar mejor la herramienta eléctrica en caso de presentarse una situación inesperada.

f) **Lleve puesta una vestimenta de trabajo adecuada. No utilice vestimenta amplia ni joyas. Mantenga su pelo, vestimenta y guantes alejados de las piezas móviles.** La vestimenta suelta, las joyas y el pelo largo se pueden enganchar con las piezas en movimiento.

g) **Siempre que sea posible utilizar equipos de aspiración o captación de polvo, asegúrese que éstos estén montados y que sean utilizados correctamente.** El empleo de estos equipos reduce los riesgos derivados del polvo.

4) CUIDADO Y UTILIZACIÓN DE HERRAMIENTAS ELÉCTRICAS

a) **No sobrecargue la herramienta. Use la herramienta prevista para el trabajo a realizar.** Con la herramienta adecuada podrá trabajar mejor y con mayor seguridad dentro del margen de potencia indicado.

b) **No utilice herramientas con un interruptor defectuoso.** Las herramientas que no se puedan conectar o desconectar son peligrosas y deben repararse.

c) **Saque el enchufe de la red y/o desmonte el acumulador antes de realizar un ajuste en la herramienta eléctrica, cambiar de accesorio o al guardar la herramienta eléctrica.** Esta medida preventiva reduce el riesgo de conectar accidentalmente la herramienta.

d) **Guarde las herramientas fuera del alcance de los niños y de las personas que no estén familiarizadas con su uso.** Las herramientas utilizadas por personas inexpertas son peligrosas.

e) **Cuide sus herramientas con esmero. Controle si funcionan correctamente, sin atascarse, las partes móviles de la herramienta, y si existen partes rotas o deterioradas que pudieran afectar al funcionamiento de la herramienta. Si la herramienta eléctrica estuviese defectuosa haga repararla antes de volver a utilizarla.** Muchos de los accidentes se deben a herramientas con un mantenimiento deficiente.

f) **Mantenga los útiles limpios y afilados.** Los útiles mantenidos correctamente se dejan guiar y controlar mejor.

g) **Utilice herramientas eléctricas, accesorios, útiles, etc. de acuerdo con estas instrucciones, teniendo en cuenta las condiciones de trabajo y la tarea a realizar.** El uso de herramientas eléctricas para trabajos diferentes de aquellos para los que han sido concebidas puede resultar peligroso.

5) SERVICIO

a) **Únicamente haga reparar su herramienta eléctrica por un profesional, empleando exclusivamente piezas de repuesto originales.** Solamente así se mantiene la seguridad de la herramienta eléctrica.

INSTRUCCIONES DE SEGURIDAD PARA LIJADORAS

- Evite los daños que puedan causar los tornillos, clavos y otros objetos sobre la pieza de trabajo; retírelos antes de empezar a trabajar
- Mantenga siempre el cable lejos de las partes móviles de la herramienta; mantenga el cable detrás de usted, lejos de la herramienta
- **Asegure la pieza de trabajo** (una pieza de trabajo fijada con unos dispositivos de sujeción o en un tornillo de banco, se mantiene sujeta de forma mucho más segura que con la mano)
- Ponga atención al guardar su herramienta de que el motor está apagado y las partes móviles están parados
- Utilice cables de extensión seguros y completamente desenrollados con una capacidad de 16 amperios
- En el caso de que se produjera un mal funcionamiento eléctrico o mecánico, apague inmediatamente la herramienta y desconecte el enchufe
- SKIL únicamente puede garantizar un funcionamiento correcto de la herramienta, cuando se utilicen los accesorios adecuados que podrá obtener de su proveedor de SKIL
- Esta herramienta no debe utilizarse por personas menores de 16 años
- El nivel de ruido, con la herramienta trabajando, podrá sobrepasar 85 dB(A); usar protectores auditivos
- **Sujete la herramienta por las superficies de agarre aisladas, ya que es posible que la banda haga contacto con su propio cable de alimentación** (cortar un cable bajo tensión también puede conectar las partes metálicas expuestas de la herramienta y podría dar una sacudida eléctrica al operario)
- Si llega a dañarse o cortarse el cable eléctrico durante el trabajo, no tocar el cable, sino extraer inmediatamente el enchufe de la red
- No utilice la herramienta cuando el cable esté dañado; hágalo cambiar por una persona calificada
- Compruebe siempre que la tensión de alimentación es la misma que la indicada en la placa de características de la herramienta (las herramientas de 230V o 240V pueden conectarse también a 220V)
- Esta herramienta no es adecuada para lijar con agua
- **No trabaje materiales que contengan amianto** (el amianto es cancerígeno)

- El polvo del material, como por ejemplo la pintura que contiene plomo, algunas especies de madera, minerales y metal podrían ser dañinos (el contacto o inhalación del polvo podría producir reacciones alérgicas y/o trastornos respiratorios al operador u otras personas cerca); **utilice una máscara contra el polvo y trabaje con un dispositivo de extracción de polvo cuando lo conecte**
- Ciertos tipos de polvo están catalogados como cancerígenos (por ejemplo el polvo de roble y de haya) especialmente junto con aditivos para el acondicionamiento de la madera; **utilice una máscara y trabaje con un dispositivo de extracción de polvo cuando lo conecte**
- Siga la normativa nacional en cuanto a extracción de polvo, en función de los materiales que vayan a ser utilizados
- Al lijar metal se generen chispas; no utilice la bolsa de polvo/el aspirador y mantenga otras personas y materiales combustibles alejados de la zona de trabajo
- Evitar el contacto con la banda de lijado en marcha
- No utilizar bandas de lijado desgastadas, desgarradas o excesivamente embazadas
- Llevar guantes protectores, gafas de protección, vestimenta ceñida al cuerpo y protección adecuada para pelo largo
- **Desenchufar siempre la herramienta antes de realizar cualquier ajuste o cambiar algún accesorio**

USO

- Interruptor On/Off
 - ponga en marcha/pare su herramienta apretando/soltando el gatillo A ②
 - ! **antes de trabajar sobre una pieza, se debe poner en marcha su herramienta**
 - ! **antes de desactivar la herramienta, debe retirarla de la pieza de trabajo**
- Bloqueo del interruptor para conexión permanente
 - apriete el gatillo A ②
 - apriete el botón B ② con su dedo pulgar
 - suelte el gatillo
 - apaga la herramienta apretando el gatillo A ② una vez más y luego soltándolo
- Control de velocidad ④

Para resultados óptimos en diferentes materiales

 - con la rueda C se puede lograr la velocidad de lijado deseada
 - ajustar la velocidad según el grano de lija
 - antes de empezar el trabajo, compruebe la velocidad y grano favorable con los materiales restante desperdiciados
- Cambio de las bandas de lijado ⑤
 - ! **desenchufar la herramienta**
 - levante la palanca D
 - desmonte la banda de lijado
 - introduzca una nueva banda, de modo que las flechas estampadas en el lado interior de la banda apunten en la misma dirección que la flecha E en la herramienta

- baje la palanca
- ! **cambiar a tiempo las bandas de lijado**
- ! **no doblar jamás las bandas de lijado**
- En caso de que la banda se desprenda de la herramienta (causado casi siempre por bandas de calidad inferior), deberá
 - ponga en marcha la herramienta
 - gire el botón F ② hasta que la banda de lijado entre con el lado bajo de la herramienta
 - utilice una banda nueva si se sigue desprendiendo
- Aspiración de polvo ⑥
 - monte la bolsa de polvo G de la forma ilustrada (2 posiciones)
 - vacíe con regularidad la bolsa de polvo para una aspiración óptima del polvo
 - cuando use su herramienta con el aspirador, monte el adaptador para el aspirador H de la forma ilustrada (3 posiciones)
 - ! **no utilice la bolsa de polvo/el aspirador al lijar metal**
- Empuñadura auxiliar ⑦

Utilice la palanca K para ajustar la empuñadura auxiliar J (2 posiciones)
- Montaje del marco de lijado ⑧
 - monte el marco de lijado L para igualar superficies sin arañazos ni surcos, y asegúrese de que esté bien sujeto
 - ! **el marco de lijado L se calienta durante su uso; no lo toque hasta que se haya enfriado**
 - ! **retire el marco de lijado L antes de guardar la herramienta**
- Sujeción y manejo de la herramienta ⑨
 - guíe su herramienta paralela a la superficie de trabajo
 - ! **durante el trabajo, sujete siempre la herramienta por la(s) zona(s) de empuñadura de color gris**
 - ! **no ejerza demasiada presión en la herramienta; deje que la dimensión de la base haga su trabajo**
 - no incline su herramienta para evitar marcas de lijado no deseadas
 - mantenga las ranuras de ventilación N ② descubiertas

CONSEJOS DE APLICACIÓN

- Para los superficies de madera no pintadas es un movimiento rectilíneo en dirección de la nervadura da un mayor rendimiento
- Para lijar otro tipo de superficies mueva la herramienta sobre el material con movimientos ovales
- Para un uso estacionario, coloque la herramienta en un banco de trabajo con 2 abrazaderas M
 - ! **monte la bolsa de polvo G de la forma ilustrada**
 - ! **monte el adaptador para el aspirador H de la forma ilustrada**
- No tratar jamás madera y metal con la misma banda de lija

- Nivel de vibración

El nivel de emisión de vibraciones indicado en la parte posterior de este manual de instrucciones ha sido medido según una prueba estándar proporcionada en EN 60745; puede utilizarse para comparar una herramienta con otra y como valoración preliminar de la exposición a las vibraciones al utilizar la herramienta con las aplicaciones mencionadas

- al utilizarla para distintas aplicaciones o con accesorios diferentes o con un mantenimiento deficiente, podría **augmentar** de forma notable el nivel de exposición
- en las ocasiones en que se apaga la herramienta o cuando está funcionando pero no está realizando ningún trabajo, se podría **reducir** el nivel de exposición de forma importante

! protéjase contra los efectos de la vibración realizando el mantenimiento de la herramienta y sus accesorios, manteniendo sus manos calientes y organizando sus patrones de trabajo

MANTENIMIENTO / SERVICIO

- Mantenga limpio el cable eléctrico y la herramienta (sobre todo las ranuras de ventilación N (2))
 - eliminar el polvo adherido con un pincel
 - ! desenchufar la herramienta antes de limpiar**
- En caso de que la aspiración de polvo no funcione correctamente, puede abrir la parte de la carcasa P como se ilustra y eliminar los posibles restos de polvo adherido (1)
 - ! desenchufar la herramienta antes de limpiar**
- Si a pesar de los esmerados procesos de fabricación y control, la herramienta llegase a averiarse, la reparación deberá encargarse a un servicio técnico autorizado para herramientas eléctricas SKIL
 - envíe la herramienta **sin desmontar** junto con una prueba de su compra a su distribuidor o a la estación de servicio más cercana de SKIL (los nombres así como el despiece de piezas de la herramienta figuran en www.skileurope.com)

AMBIENTE

- **No deseche las herramientas eléctricas, los accesorios y embalajes junto con los residuos domésticos** (sólo para países de la Unión Europea)
 - de conformidad con la Directiva Europea 2002/96/CE sobre residuos de aparatos eléctricos y electrónicos y su aplicación de acuerdo con la legislación nacional, las herramientas eléctricas cuya vida útil haya llegado a su fin se deberán recoger por separado y trasladar a una planta de reciclaje que cumpla con las exigencias ecológicas
 - símbolo (12) llamará su atención en caso de necesidad de tirarlas

Lixadeira de rolos

7660

INTRODUÇÃO

- Esta ferramenta é determinada para lixar a seco madeira, plástico, metal, mastique e superfícies pintadas, com alta força abrasiva
- Leia e guarde este manual de instruções (3)

ESPECIFICAÇÕES TÉCNICAS (1)

ELEMENTOS DA FERRAMENTA (2)

- A** Interruptor para ligar/desligar
- B** Botão do interruptor para bloquear/desbloquear
- C** Roda de seleção de velocidade de lixa
- D** Patilha para mudar a cinta da lixadeira
- E** Seta
- F** Botão para regular a centragem da cinta
- G** Saco do pó
- H** Adaptador para aspirador
- J** Punho auxiliar
- K** Patilha para ajustar o punho auxiliar
- L** Marco da lixadeira
- M** Grampos para utilização estacionária
- N** Aberturas de ventilação

SEGURANÇA

INSTRUÇÕES GERAIS DE SEGURANÇA

⚠ ATENÇÃO! Devem ser lidas todas as indicações de advertência e todas as instruções. O desrespeito das advertências e instruções apresentadas abaixo pode causar choque eléctrico, incêndio e/ou graves lesões. **Guarde bem todas as advertências e instruções para futura referência.** O termo “ferramenta eléctrica” utilizado a seguir nas indicações de advertência, refere-se a ferramentas eléctricas operadas com corrente de rede (com cabo de rede) e a ferramentas eléctricas operadas com acumulador (sem cabo de rede).

1) SEGURANÇA DA ÁREA DE TRABALHO

- Mantenha a sua área de trabalho limpa e arrumada.** Desordem ou áreas de trabalho com fraca iluminação podem causar acidentes.
- Não trabalhar com a ferramenta eléctrica em áreas com risco de explosão, nas quais se encontrem líquidos, gases ou pós inflamáveis.** Ferramentas eléctricas produzem faíscas que podem provocar a ignição de pó e vapores.
- Mantenha crianças e outras pessoas afastadas da ferramenta eléctrica durante o trabalho com a ferramenta.** Distrações podem causar a falta de controle sobre o aparelho.

2) SEGURANÇA ELÉCTRICA

- a) **A ficha da ferramentas eléctricas devem caber na tomada. A ficha não deve ser modificada de modo algum. Não utilize quaisquer fichas de adaptação junto com ferramentas eléctricas ligadas à terra.** Fichas sem modificações e tomadas adequadas reduzem o risco de choques eléctricos.
- b) **Evite que o corpo entre em contacto com superfícies ligadas à terra, como por exemplo tubos, radiadores, fogões e geladeiras.** Há um risco elevado de choques eléctricos, caso o corpo for ligado à terra.
- c) **A ferramenta eléctrica não deve ser exposta à chuva nem humidade.** A penetração de água na ferramenta eléctrica aumenta o risco de choques eléctricos.
- d) **O cabo do aparelho não deve ser utilizado para o transporte, para pendurar o aparelho, nem para puxar a ficha da tomada. Mantenha o cabo afastado de calor, óleo, cantos afiados ou partes em movimento do aparelho.** Cabos danificados ou torcidos aumentam o risco de choques eléctricos.
- e) **Ao trabalhar com a ferramenta eléctrica ao ar livre, use um cabo de extensão apropriado para áreas externas.** O uso de um cabo apropriado para áreas externas reduz o risco de choques eléctricos.
- f) **Se não for possível evitar o funcionamento da ferramenta eléctrica em áreas húmidas, deverá ser utilizado uma disjuntor de corrente de avaria.** A utilização de um disjuntor de corrente de avaria reduz o risco de um choque eléctrico.

3) SEGURANÇA DE PESSOAS

- a) **Esteja alerta, observe o que está a fazer, e tenha prudência ao trabalhar com a ferramenta eléctrica. Não use a ferramenta eléctrica se estiver fatigado ou sob a influência de drogas, álcool ou medicamentos.** Um momento de falta de atenção durante a operação da ferramenta eléctrica pode causar graves lesões.
- b) **Utilizar equipamento de protecção pessoal e sempre óculos de protecção.** A utilização de equipamento de protecção pessoal, como máscara de protecção contra pó, sapatos de segurança antiderrapantes, capacete de segurança ou protecção auricular, de acordo com o tipo e aplicação da ferramenta eléctrica, reduz o risco de lesões.
- c) **Evitar uma colocação em funcionamento involuntária. Assegure se de que a ferramenta eléctrica esteja desligada, antes de conectá-la à alimentação de rede e/ou ao acumulador, antes de levantá-la ou de transportá-la.** Se tiver o dedo no interruptor ao transportar a ferramenta eléctrica ou se o aparelho for conectado à alimentação de rede enquanto estiver ligado, poderão ocorrer acidentes.
- d) **Remover chaves de ajustes ou chaves de fenda, antes de ligar a ferramenta eléctrica.** Uma chave de fenda ou chave de ajuste que se encontre numa parte móvel do aparelho, pode levar a lesões.

- e) **Não se sobrestime. Mantenha uma posição firme e mantenha sempre o equilíbrio.** Desta forma poderá ser mais fácil controlar o aparelho em situações inesperadas.
- f) **Use roupa apropriada. Não use roupa larga ou jóias. Mantenha o cabelo, roupa e luvas afastadas de partes em movimento.** Roupas largas, jóias ou cabelos longos podem ser agarradas por partes em movimento.
- g) **Se for prevista a montagem de dispositivos de aspiração de pó e de dispositivos de recolha, assegure-se de que estão conectados e que sejam utilizados de forma correcta.** A utilização de uma aspiração de pó pode reduzir o perigo devido ao pó.

4) USO E TRATAMENTO DE FERRAMENTAS ELÉCTRICAS

- a) **Não sobrecarregue a ferramenta eléctrica. Use para o seu trabalho a ferramenta eléctrica correcta.** A ferramenta correcta realizará o trabalho de forma melhor e mais segura dentro da faixa de potência indicada.
- b) **Não utilize a ferramenta eléctrica se o interruptor não puder ser ligado nem desligado.** Qualquer ferramenta eléctrica que não possa ser controlada através do interruptor de ligar-desligar, é perigosa e deve ser reparada.
- c) **Puxar a ficha da tomada e/ou remover o acumulador antes de executar ajustes na ferramenta, de substituir acessórios ou de guardar a ferramenta.** Esta medida de segurança evita que a ferramenta eléctrica seja ligada acidentalmente.
- d) **Guarde ferramentas eléctricas que não estiverem sendo utilizadas, for a do alcance de crianças. Não permita que o aparelho seja utilizado por pessoas não familiarizadas com o mesmo ou que não tenham lido estas instruções.** Ferramentas eléctricas são perigosas nas mãos de pessoas sem formação.
- e) **Trate a sua ferramenta eléctrica com cuidado. Verifique se as partes móveis do aparelho funcionam perfeitamente e não emperram, se há peças quebradas ou danificadas, que possam influenciar o funcionamento do aparelho. Peças danificadas devem ser reparadas antes da utilização do aparelho.** Muitos acidentes tem como causa uma manutenção insuficiente das ferramentas eléctricas.
- f) **Mantenha as ferramentas de corte sempre afiadas e limpas.** Ferramentas de cortes devidamente tratadas, com cantos afiados travam com menos frequência e podem ser controladas com maior facilidade.
- g) **Use a ferramenta eléctrica, os acessórios os bits da ferramenta etc., de acordo com estas instruções. Considere também as condições de trabalho e o trabalho a ser efectuado.** A utilização da ferramenta eléctrica para outros fins que os previstos, pode resultar em situações perigosas.

5) SERVIÇO

- a) **A sua ferramenta eléctrica só deve ser reparada por pessoal qualificado e só devem ser colocadas peças sobressalentes originais.** Desta forma é assegurada a segurança da ferramenta eléctrica.

INSTRUÇÕES DE SEGURANÇA PARA LIXADEIRAS

- Evite danificar a ferramenta em superfícies com pregos ou parafusos; remova-os antes de começar a trabalhar
- Mantenha sempre o fio afastado das peças rotativas da ferramenta; coloque o fio para trás, fora do alcance da ferramenta
- **Fixe a peça de trabalho** (uma peça de trabalho fixa com dispositivos de fixação ou num torno fica melhor fixa do que manualmente)
- Quando guardar a ferramenta, deverá certificar-se que o motor está devidamente parado assim como todas as peças rotativas
- Utilize extensões completamente desenroladas e seguras, com uma capacidade de 16 Amp
- Em caso de anomalias eléctricas ou mecânicas, desligue imediatamente a ferramenta e tire a ficha da tomada
- A SKIL só pode garantir um funcionamento perfeito da ferramenta, quando utilizada com os acessórios adequados que poderá adquirir nos revendedores autorizados SKIL
- Esta ferramenta não deve ser utilizada por pessoas menores de 16 anos
- O nível de ruído durante o trabalho pode exceder 85 dB(A); utilize protectores auriculares
- **Segure a ferramenta eléctrica pelas superfícies de fixação, porque a correia pode contactar com o cabo** (o corte de um fio “eléctrico” pode expor as peças metálicas da ferramenta eléctrica e pode originar um choque eléctrico no operador)
- Caso o fio for danificado ou cortado durante o trabalho, não toque no fio, mas tire imediatamente a ficha da tomada
- Não utilizar ferramenta caso o fio esteja danificado; mandando-o substituir por pessoal qualificado
- Certifique-se sempre de que a tensão de alimentação está de acordo com a tensão indicada na placa de identificação da ferramenta (ferramentas com a indicação de 230V ou 240V também podem ser ligadas a uma fonte de 220V)
- Esta ferramenta não é aconselhada para trabalhos em superfícies molhadas
- **Não processar material que contenha asbesto** (asbesto é considerado como sendo cancerígeno)
- O pó do material, como tinta com chumbo, algumas espécies de madeira, minerais e metais, pode ser prejudicial (contacto ou inalação do pó pode provocar reacções alérgicas e/ou doenças respiratórias ao operador ou às pessoas presentes); **use máscara respiratória e trabalhe com um dispositivo de extracção de pó quando ligado a**

- Determinados tipos de pó são classificados como substâncias cancerígenas (como pó de carvalho e faia), em especial, juntamente com aditivos para acondicionamento da madeira; **use máscara respiratória e trabalhe com um dispositivo de extracção de pó quando ligado a**
- Siga o regulamento nacional quanto a extração de pó, em função dos materiais que vão ser utilizados
- Não lixar metais, devido às faíscas produzidas, não utilize o saco de pó/o aspirador e mantenha afastadas outras pessoas e materiais combustíveis à área de trabalho
- Não entrar em contacto com a cinta de lixadeira em funcionamento
- Cintas de lixadeira gastas, rasgadas ou muito sujas não devem continuar a ser utilizadas
- Usar luvas protectoras, óculos de protecção, roupas justas e uma protecção para cabelos (no caso de cabelos compridos)
- **Desligue sempre a ficha da tomada antes de proceder a qualquer ajustamento ou troca de acessório**

MANUSEAMENTO

- Interruptor para ligar/desligar
 - ligue/desligue a ferramenta premindo/soltando o gatilho A ②
 - ! **a ferramenta deve estar ligada antes que a base alcance a peça a trabalhar**
 - ! **antes de desligar a ferramenta, deve levantá-la da peça de trabalho**
- Fixação do interruptor para ligação permanente
 - premir o gatilho A ②
 - apertar o botão B ② com o polegar
 - soltar o gatilho
 - desligue o interruptor apertando de novo o gatilho A ② e soltando-o de seguida
- Controle de velocidade ④
 - Para resultados excelentes em materiais diferentes
 - com a roda C pode fixar a velocidade de lixa
 - ajuste a velocidade conforme o grão da lixa utilizada
 - antes de iniciar um trabalho, procure a velocidade e grão de lixa fazendo experiências num material à parte
- Substituição das cintas da lixadeira ⑤
 - ! **desligar a ferramenta da fonte de corrente**
 - levante a patilha D
 - retire a cinta
 - coloque uma nova cinta com as setas imprimadas no interior da mesma apontando na mesma direcção da seta E da ferramenta
 - abaixe a patilha
 - ! **mudar as cintas de lixadeira atempadamente**
 - ! **nunca dobrar as cintas de lixadeira**
 - Caso a cinta saia da ferramenta (o que é na maior parte das vezes causado por má qualidade da cinta), faça o seguinte
 - ligue a ferramenta

- rode o botão F ② até a cinta correr paralela a parte chata da ferramenta
- utilize outra cinta se esta continuar a sair da ferramenta
- Aspiração de pó ⑥
 - monte o saco do pó G como ilustrado (2 posições)
 - esvazie periodicamente o saco do pó para uma melhor recolha do pó
 - quando utilizar a ferramenta com o aspirador, monte o adaptador para aspirador H como ilustrado (3 posições)
- ! **não utilizar o saco de pó/o aspirador ao lixar metais**
- Punho auxiliar ⑦
 - Utilize a patilha K para regular o punho auxiliar J (2 posições)
- Montagem do marco da lixadeira ⑧
 - instale o marco da lixadeira L para alisar superfícies com riscos ou ranhuras, e certifique-se de que está bem fixo no lugar
- ! **o marco da lixadeira L aquece durante a utilização; não toque no marco antes que ele arrefeça**
- ! **retire o marco da lixadeira L antes de arrumar a ferramenta**
- Segurar e guiar a ferramenta ⑨
 - guie a ferramenta paralelamente à peça a trabalhar
- ! **durante o trabalho, segure sempre a ferramenta na(s) área(s) de fixação cinzenta(s)**
- ! **não aplique demasiada pressão na ferramenta; deixe que a ferramenta trabalhe por si**
- não incline a ferramenta de modo a evitar marcas indesejadas
- mantenha as aberturas de ventilação N ② destapadas

CONSELHOS DE APLICAÇÃO

- Para trabalhar com a lixadeira em superfícies de madeira não aplainada deverá fazer movimentos em linha recta e sempre no sentido dos veios da madeira
- Para lixar todas as outras superfícies faça movimentos ovais com a ferramenta sobre o material
- Para utilização estacionária, monte a ferramenta numa bancada de trabalho por meio de 2 grampas M
 - ! **monte o saco do pó G como ilustrado**
 - ! **monte o adaptador para aspirador H como ilustrado**
- Nunca trabalhar madeira e metal com a mesma cinta de lixa
- Nível de vibração

O nível de emissão de vibrações indicado na parte posterior deste manual de instruções foi medido de acordo com um teste normalizado fornecido na EN 60745; pode ser utilizado para comparar uma ferramenta com outra e como uma avaliação preliminar de exposição à vibração quando utilizar a ferramenta para as aplicações mencionadas

- utilizar a ferramenta para diferentes aplicações ou com acessórios diferentes ou mantidos deficientemente, pode **umentar** significativamente o nível de exposição
- o número de vezes que a ferramenta é desligada ou quando estiver a trabalhar sem fazer nada, pode **reduzir** significativamente o nível de exposição
- ! **proteja-se contra os efeitos da vibração, mantendo a ferramenta e os acessórios, mantendo as mãos quentes e organizando os padrões de trabalho**

MANUTENÇÃO / SERVIÇO

- Mantenha a ferramenta e o fio sempre limpos (especialmente as ranhuras de respiração N ②)
 - remover o pó de lixa aderido com um pincel
- ! **desligar a ferramenta da fonte de corrente antes de limpar**
- Se a sucção de pó não funcionar correctamente, pode abrir a cobertura P conforme ilustrado e remover o pó de lixagem acumulado ⑩
 - ! **desligar a ferramenta da fonte de corrente antes de limpar**
- Se a ferramenta falhar apesar de cuidadosos processos de fabricação e de teste, a reparação deverá ser executada por uma oficina de serviço autorizada para ferramentas eléctricas SKIL
 - envie a ferramenta **sem desmontar**, juntamente com a prova de compra, para o seu revendedor ou para o centro de assistência SKIL mais próximo (os endereços assim como a mapa de peças da ferramenta estão mencionados no www.skileurope.com)

AMBIENTE

- **Não deite ferramentas eléctricas, acessórios e embalagem no lixo doméstico** (apenas para países da UE)
 - de acordo com a directiva europeia 2002/96/CE sobre ferramentas eléctricas e electrónicas usadas e a transposição para as leis nacionais, as ferramentas eléctricas usadas devem ser recolhidas em separado e encaminhadas a uma instalação de reciclagem dos materiais ecológica
 - símbolo ⑫ lhe avisará em caso de necessidade de arranjar-las



Levigatrice a nastro

7660

INTRODUZIONE

- Questo utensile serve per la smerigliatura a secco del legno, della plastica, di metallo, del riempimento e delle superfici verniciate, con elevato asportazione del material
- Leggete e conservate questo manuale di istruzione ③

CARATTERISTICHE TECNICHE ①

ELEMENTI UTENSILE ②

- A Interruttore di acceso/spento
- B Pulsante di bloccaggio dell'interruttore
- C Rotella selezione velocità di levigatura
- D Leva per sostituire il natro abrasivo
- E Freccia
- F Pomello per centrare il nastro
- G Sacchetto della polvere
- H Adattatore per aspirapolvere
- J Impugnatura ausiliaria
- K Leva per regolare l'impugnatura ausiliaria
- L Cornice di levigatura
- M Morsetti per uso fisso
- N Feritoie di ventilazione

SICUREZZA

ISTRUZIONI GENERALI DI SICUREZZA

⚠ ATTENZIONE! Leggere tutte le avvertenze di pericolo e le istruzioni operative. In caso di mancato rispetto delle avvertenze di pericolo e delle istruzioni operative si potrà creare il pericolo di scosse elettriche, incendi e/o incidenti gravi. **Conservare tutte le avvertenze di pericolo e le istruzioni operative per ogni esigenza futura.** Il termine "elettroutensile" utilizzato nelle avvertenze di pericolo si riferisce ad utensili elettrici alimentati dalla rete (con linea di allacciamento) ed ad utensili elettrici alimentati a batteria (senza linea di allacciamento).

1) SICUREZZA DELLA POSTAZIONE DI LAVORO

- a) **Mantenere pulito ed ordinato il posto di lavoro.**
Il disordine o le zone di lavoro non illuminate possono essere fonte di incidenti.
- b) **Evitare d'impiegare l'utensile in ambienti soggetti al rischio di esplosioni nei quali si trovino liquidi, gas o polveri infiammabili.** Gli utensili elettrici producono scintille che possono far infiammare la polvere o i gas.
- c) **Mantenere lontani i bambini ed altre persone durante l'impiego dell'utensile elettrico.**
Eventuali distrazioni potranno comportare la perdita del controllo sull'utensile.

2) SICUREZZA ELETTRICA

- a) **La spina per la presa di corrente dovrà essere adatta alla presa. Evitare assolutamente di apportare modifiche alla spina. Non impiegare spine adattatrici assieme ad utensili con collegamento a terra.** Le spine non modificate e le prese adatte allo scopo riducono il rischio di scosse elettriche.
- b) **Evitare il contatto fisico con superfici collegate a terra, come tubi, riscaldamenti, cucine elettriche e frigoriferi.** Sussiste un maggior rischio di scosse elettriche nel momento in cui il corpo è messo a massa.

- c) **Custodire l'utensile al riparo dalla pioggia o dall'umidità.** L'eventuale infiltrazione di acqua in un utensile elettrico va ad aumentare il rischio d'insorgenza di scosse elettriche.
 - d) **Non usare il cavo per scopi diversi da quelli previsti al fine di trasportare o appendere l'utensile, oppure di togliere la spina dalla presa di corrente.** **Mantenere l'utensile al riparo da fonti di calore, dall'olio, dagli spigoli o da pezzi in movimento.** I cavi danneggiati o aggrovigliati aumentano il rischio d'insorgenza di scosse elettriche.
 - e) **Qualora si voglia usare l'utensile all'aperto, impiegare solo ed esclusivamente cavi di prolunga omologati per l'impiego all'esterno.** L'uso di un cavo di prolunga omologato per l'impiego all'esterno riduce il rischio d'insorgenza di scosse elettriche.
 - f) **Qualora non fosse possibile evitare di utilizzare l'utensile in ambiente umido, utilizzare un interruttore di messa a terra.** L'uso di un interruttore di messa a terra riduce il rischio di una scossa elettrica.
- #### 3) SICUREZZA DELLE PERSONE
- a) **È importante concentrarsi su ciò che si sta facendo e a maneggiare con giudizio l'utensile elettrico durante le operazioni di lavoro. Non utilizzare l'utensile in caso di stanchezza o sotto l'effetto di droghe, bevande alcoliche e medicinali.** Un attimo di distrazione durante l'uso dell'utensile potrà causare lesioni gravi.
 - b) **Indossare sempre equipaggiamento protettivo individuale, nonché guanti protettivi.** Se si avrà cura d'indossare equipaggiamento protettivo individuale come la maschera antipolvere, la calzatura antidistruciolevole di sicurezza, il casco protettivo o la protezione dell'udito, a seconda dell'impiego previsto per l'utensile elettrico, si potrà ridurre il rischio di ferite.
 - c) **Evitare l'accensione involontaria dell'utensile. Prima di collegarlo alla rete di alimentazione elettrica e/o alla batteria ricaricabile, prima di prenderlo oppure prima di iniziare a trasportarlo, assicurarsi che l'utensile sia spento.** Tenendo il dito sopra l'interruttore mentre si trasporta l'utensile oppure collegandolo all'alimentazione di corrente con l'interruttore inserito, si vengono a creare situazioni pericolose in cui possono verificarsi seri incidenti.
 - d) **Togliere gli attrezzi di regolazione o la chiave inglese prima di accendere l'utensile.** Un utensile o una chiave inglese che si trovino in una parte dell'utensile in rotazione potranno causare lesioni.
 - e) **È importante non sopravvalutarsi. Avere cura di mettersi in posizione sicura e di mantenere l'equilibrio.** In tale maniera sarà possibile controllare meglio l'utensile in situazioni inaspettate.
 - f) **Indossare vestiti adeguati. Evitare di indossare vestiti lenti o gioielli. Tenere i capelli, i vestiti ed i guanti lontani da pezzi in movimento.** Vestiti lenti, gioielli o capelli lunghi potranno impigliarsi in pezzi in movimento.

- g) **Se sussiste la possibilità di montare dispositivi di aspirazione o di captazione della polvere, assicurarsi che gli stessi siano stati installati correttamente e vengano utilizzati senza errori.**

L'utilizzo di un'aspirazione polvere può ridurre lo svilupparsi di situazioni pericolose dovute alla polvere.

4) MANEGGIO ED IMPIEGO ACCURATO DI UTENSILI ELETTRICI

- a) **Non sovraccaricare l'utensile. Impiegare l'utensile elettrico adatto per sbrigare il lavoro.** Utilizzando l'utensile elettrico adatto si potrà lavorare meglio e con maggior sicurezza nell'ambito della gamma di potenza indicata.
- b) **Non utilizzare utensili elettrici con interruttori difettosi.** Un utensile elettrico che non si può più accendere o spegnere è pericoloso e dovrà essere riparato.
- c) **Prima di procedere ad operazioni di regolazione sull'utensile, prima di sostituire parti accessorie oppure prima di posare l'utensile al termine di un lavoro, estrarre sempre la spina dalla presa della corrente e/o estrarre la batteria ricaricabile.**
Tale precauzione eviterà che l'utensile possa essere messo in funzione inavvertitamente.
- d) **Custodire gli utensili elettrici non utilizzati al di fuori della portata dei bambini. Non fare usare l'utensile a persone che non sono abituate ad usarlo o che non abbiano letto le presenti istruzioni.** Gli utensili elettrici sono pericolosi se utilizzati da persone inesperte.
- e) **Effettuare accuratamente la manutenzione dell'utensile. Verificare che le parti mobili dell'utensile funzionino perfettamente e non s'inzeppino, che non ci siano pezzi rotti o danneggiati al punto tale da limitare la funzione dell'utensile stesso. Far riparare le parti danneggiate prima d'impiegare l'utensile.** Numerosi incidenti vengono causati da utensili elettrici la cui manutenzione è stata effettuata poco accuratamente.
- f) **Mantenere affilati e puliti gli utensili da taglio.**
Gli utensili da taglio curati con particolare attenzione e con taglienti affilati s'inzeppano meno frequentemente e sono più facili da condurre.
- g) **Utilizzare utensili elettrici, accessori, attrezzi, ecc. in conformità con le presenti istruzioni. Osservare le condizioni di lavoro ed il lavoro da eseguirsi durante l'impiego.** L'impiego di utensili elettrici per usi diversi da quelli consentiti potrà dar luogo a situazioni di pericolo.
- #### 5) ASSISTENZA
- a) **Fare riparare l'utensile solo ed esclusivamente da personale specializzato e solo impiegando pezzi di ricambio originali.** In tale maniera potrà essere salvaguardata la sicurezza dell'utensile.

ISTRUZIONI DI SICUREZZA PER LEVIGATRICI

- Evitate possibili danneggiamenti da viti e chiodi sporgenti; rimuoverli prima di iniziare la lavorazione

- Mantenere sempre il cavo distante dalle parti in movimento dell'utensile; spingere il cavo verso la parte posteriore, distante dall'utensile
- **Fissare il pezzo da lavorare** (un pezzo in lavorazione rimane bloccato in posizione con maggiore sicurezza se fissato con appositi dispositivi di serraggio o con una morsa e non tenendolo con la mano)
- Quando riponete l'utensile accertatevi che non ci siano parti in movimento e che il motore sia spento
- Usare cavi di prolunga completamente srotolati e sicure con una capacità di 16 Amp
- Nel caso di cattivo funzionamento elettrico o meccanico, spegnete subito l'utensile e staccate la spina
- La SKIL garantisce un perfetto funzionamento dell'utensile soltanto se vengono utilizzati accessori corretti che si possono ottenere presso il vostro negoziante
- Questo utensile non dev'essere utilizzato da persone di età inferiore ai 16 anni
- Durante le operazioni di lavoro il livello di rumorosità può superare 85 dB(A); utilizzare le cuffie di protezione
- **Tenere l'utensile elettrico dalle superfici di serraggio isolate perché il nastro potrebbe entrare a contatto con il proprio cavo** (il taglio di un filo "sotto tensione" trasferisce tensione alle parti metalliche esposte dell'utensile elettrico e potrebbe provocare una scossa elettrica all'operatore)
- Se durante un'operazione di lavoro viene danneggiato oppure troncato il cavo, non toccare il cavo ma estrarre immediatamente la spina dalla presa
- Non usare l'utensile quando il cavo è danneggiato; farlo sostituire da personale qualificato
- Controllare che la tensione dell'alimentazione sia la stessa di quella indicata sulla targhetta dell'utensile (gli utensili con l'indicazione di 230V o 240V possono essere collegati anche alla rete di 220V)
- Questo utensile non può lavorare con acqua
- **Non lavorare mai materiali contenenti amianto** (l'amianto è ritenuto materiale cancerogeno)
- Le polveri di materiali come vernici contenenti piombo, alcune specie di legno, minerali e metallo possono essere nocive (il contatto con queste polveri o la loro inalazione possono causare reazioni allergiche e/o disturbi respiratori all'operatore o ad altre persone presenti sul posto); **indossare una maschera protettiva per la polvere e utilizzare un dispositivo per l'estrazione della polvere se è presente una presa di collegamento**
- Alcuni tipi di polvere sono classificati come cancerogeni (quali le polveri di quercia e faggio) specialmente se associate ad additivi per il trattamento del legno; **indossare una maschera protettiva per la polvere e utilizzare un dispositivo per l'estrazione della polvere se è presente una presa di collegamento**
- Rispettare le istruzioni nazionali riguardanti l'estrazione della polvere per i materiali in lavorazione

- Nella levigatura del metallo vengono generate scintille; non usare il sacchetto di raccolta/l'aspirapolvere e allontanare altre persone e materiali infiammabili dall'area di lavoro
- Evitare di toccare il nastro mentre questo si trova in movimento
- Non continuare ad usare nastri usurati, stagiati oppure già troppo carichi di materiale levigato
- Portare guanti protettivi, occhiali di protezione, abiti adatti ed aderenti al corpo e una protezione per i capelli (in caso di capelli lunghi)
- **Staccate sempre la spina dell'utensile prima di effettuare regolazioni o cambiare gli accessori**

USO

- Interruttore di acceso/spento
 - per accendere/spengere il vostro utensile schiacciare/rilasciare l'interruttore A ②
 - ! **prima che la superficie levigante raggiunga il pezzo in lavorazione, l'utensile deve essere acceso**
 - ! **prima di spegnere l'utensile, dovreste sollevarlo dal pezzo di lavorazione**
- Blocco dell'interruttore per il funzionamento continuo
 - schiacciare l'interruttore A ②
 - premere il pulsante B ② con il pollice
 - rilasciare l'interruttore
 - per sbloccarlo schiacciare nuovamente l'interruttore A ② e poi rilasciarlo
- Controllo della velocità ④

Per un risultato ottimale della levigatura su qualsiasi materiale

 - regolando la rotella C potrete scegliere la velocità di smerigliatura desiderata
 - regolare la velocità in base alla grana del disco abrasivo utilizzato
 - prima di iniziare la lavorazione selezionare la giusta velocità facendo una prova su un materiale di scarto
- Cambio dei nastri abrasivi ⑤
 - ! **estrarre la spina dalla presa**
 - alzate la leva D
 - asportate il nastro abrasivo
 - inserite il nuovo nastro, le frecce stampate al suo interno corrispondenti alla direzione della freccia E sull'utensile
 - abbassate la leva
 - ! **cambiare i nastri abrasivi per tempo**
 - ! **mai piegare i nastri abrasivi**

In caso il nastro salta (per lo più a causa dalla qualità inferiore del nastro), dovete

 - accendete l'utensile
 - girare il pomello F ② finchè il nastro abrasivo scorra in linea con la parte piana dell'utensile
 - usate un nuovo nastro, se questo continua a slittare dall'utensile
- Aspirazione della polvere ⑥
 - montare il sacchetto della polvere G come illustrato (2 posizioni)

- svuotare regolarmente il sacchetto della polvere per ottimale raccolta della polvere
- quando si usa l'utensile con l'aspiratore della polvere, montare l'adattatore per aspirapolvere H come illustrato (3 posizioni)
- ! **non usare il sacchetto della polvere/l'aspirapolvere durante al smerigliatura del metallo**
- Impugnatura ausiliaria ⑦

Utilizzare la leva K per regolare l'impugnatura ausiliaria J (2 posizioni)
- Montaggio della cornice di levigatura ⑧
 - montare la cornice di levigatura L per pareggiare le superfici senza graffi o scanalature, ed assicurarsi che sia in posizione con sicurezza
 - ! **la cornice di levigatura L diventa calda durante l'uso; non toccatela prima che si sia raffreddata**
 - ! **rimuovere la cornice di levigatura L prima di riporre l'utensile**
- Tenuta e guida dell'utensile ⑨
 - tenere l'utensile parallelo alla superficie di lavoro
 - ! **durante la lavorazione, impugna l'utensile sempre in corrispondenza della(e) area(e) grigia(e)**
 - ! **non applicare troppa pressione all'utensile; lasciare che sia la superficie levigante a lavorare per voi**
 - non inclinare l'utensile per evitare segni di levigatura non voluti
 - tenere scoperte le feritoie di ventilazione N ②

CONSIGLIO PRATICO

- Per levigare superfici rugose in legno, dare all'utensile movimenti dritti lungo le venature del legno
- Per levigare ogni altra superficie, muovere ovalmente l'utensile sul materiale
- Per uso fisso, montate l'utensile sul banco di lavoro per mezzo di 2 morsetti M
 - ! **montare il sacchetto della polvere G come illustrato**
 - ! **montare l'adattatore per aspirapolvere H come illustrato**
- Mai eseguire lavorazioni con lo stesso nastro abrasivo su legno e su metallo
- Livello delle vibrazioni

Il livello di emissione delle vibrazioni indicato sul retro di questo manuale di istruzioni è stato misurato in conformità a un test standardizzato stabilito dalla norma EN 60745; questo valore può essere utilizzato per mettere a confronto un l'utensile con un altro o come valutazione preliminare di esposizione alla vibrazione quando si impiega l'utensile per le applicazioni menzionate

 - se si utilizza l'utensile per applicazioni diverse, oppure con accessori differenti o in scarse condizioni, il livello di esposizione potrebbe **auumentare** notevolmente

- i momenti in cui l'utensile è spento oppure è in funzione ma non viene effettivamente utilizzato per il lavoro, possono contribuire a **ridurre** il livello di esposizione

! proteggere dagli effetti della vibrazione effettuando la manutenzione dell'utensile e dei relativi accessori, mantenendo le mani calde e organizzando i metodi di lavoro

MANUTENZIONE / ASSISTENZA

- Tenete sempre puliti utensile e cavo (soprattutto le feritoie di ventilazione N ②)
 - asportare con un pennello la polvere da levigatura che sia rimasta attaccata
- ! prima di pulire estrarre la spina dalla presa**
- Se l'aspirazione non funziona più correttamente, è possibile aprire l'alloggiamento P come illustrato e rimuovere l'eventuale polvere da levigatura accumulata ①
- ! prima di pulire estrarre la spina dalla presa**
- Se nonostante gli accurati procedimenti di produzione e di controllo l'utensile dovesse guastarsi, la riparazione va fatta effettuare da un punto di assistenza autorizzato per gli elettroutensili SKIL
 - inviare l'utensile **non smontato** assieme alle prove di acquisto al rivenditore oppure al più vicino posto di assistenza SKIL (l'indirizzo ed il disegno delle parti di ricambio dell'utensile sono riportati su www.skileurope.com)

TUTELA DELL'AMBIENTE

- **Non gettare l'utensile elettrico, gli accessori e l'imballaggio tra i rifiuti domestici** (solo per paesi UE)
 - secondo la Direttiva Europea 2002/96/CE sui rifiuti di utensili elettrici ed elettronici e la sua attuazione in conformità alle norme nazionali, gli utensili elettrici esausti devono essere raccolti separatamente, al fine di essere reimpiegati in modo eco-compatibile
 - il simbolo ⑫ vi ricorderà questo fatto quando dovrete eliminarle

H

Szalagcsiszoló

7660

BEVEZETÉS

- Ez a készülék fa, műanyagok, fémek, kitöltő anyagokkal bevont vagy festett felületek nagy teljesítménnyel történő szárazcsiszolására szolgál
- Olvassa el figyelmesen és őrizze meg a használati utasítást ③

TECHNIKAI ADATOK ①

SZERSZÁMGÉP ELEMEI ②

- A Be/ki kapcsológomb
- B Bekapcsolást reteszelő gomb
- C Csiszolási sebességszabályzó kerék
- D Csiszolószalag kioldó kar
- E Nyíl
- F Szalag központosító állítógomb
- G Porzsák
- H Porszívóadapter
- J Oldalfogantyú
- K Kar az oldalfogantyú beállításához
- L Csiszolókeret
- M Szűrő rögzített állapotban történő használathoz
- N Szellőzőnyílások

BIZTONSÁG

ÁLTALÁNOS BIZTONSÁGI ELŐÍRÁSOK

⚠ FIGYELEM! Olvassa el az összes biztonsági figyelmeztetést és előírást. A következőkben leírt előírások betartásának elmulasztása áramütésekhez, tűzhöz és/vagy súlyos testi sérülésekhez vezethet. **Kérjük a későbbi használatra gondosan őrizze meg ezeket az előírásokat.** Az alább alkalmazott elektromos kéziszerszám fogalom a hálózati elektromos kéziszerszámokat (hálózati csatlakozó kábellel) és az akkumulátoros elektromos kéziszerszámokat (hálózati csatlakozó kábel nélkül) foglalja magában.

1) MUNKAHELYI BIZTONSÁG

- a) **Tartsa tisztán és tartsa rendben a munkahelyét.** Rendetlen munkahelyek vagy megvilágítatlan munkaterületek balesetekhez vezethetnek.
- b) **Ne dolgozzon az elektromos kéziszerszámmal olyan robbanásveszélyes környezetben, ahol éghető folyadékok, gázok vagy porok vannak.** Az elektromos kéziszerszámok szikrákat bocsáthatnak ki, amelyek meggyújthatják a port vagy a gőzöket.
- c) **Tartsa távol a gyerekeket és az idegen személyeket a munkahelytől, ha az elektromos kéziszerszámot használja.** Ha elvonják a figyelmét a munkától, könnyen elvesztheti az uralmát a berendezés felett.

2) ELEKTROMOS BIZTONSÁGI ELŐÍRÁSOK

- a) **A készülék csatlakozó dugójának bele kell illeszkednie a dugaszolóaljzatba. A csatlakozó dugót semmilyen módon sem szabad megváltoztatni. Védőföldeléssel ellátott készülékekkel kapcsolatban ne használjon csatlakozó adaptert.** A változtatás nélküli csatlakozó dugók és a megfelelő dugaszoló aljzatok csökkentik az áramütés kockázatát.
- b) **Ne érjen hozzá földelt felületekhez, mint csövekhez, fűtőtestekhez, kályhákhoz és hűtőszekrényekhez.** Az áramütési veszély megnövekszik, ha a teste le van földelve.

- c) **Tartsa távol az elektromos kéziszerszámot az esőtől és a nedvesség hatásaitól.** Ha víz hatol be egy elektromos kéziszerszámba, ez megnöveli az áramütés veszélyét.
- d) **Ne használja a kábelt a rendeltetésétől eltérő célokra, vagyis a szerszámot soha ne hordozza vagy akassza fel a kábelnél fogva, és soha ne húzza ki a hálózati csatlakozó dugót a kábelnél fogva.** Tartsa távol a kábelt hőforrásoktól, olajtól, éles élektől, sarkaktól és mozgó gépalkatrészekről. Egy megrongálódott vagy csomókkal teli kábel megnöveli az áramütés veszélyét.
- e) **Ha egy elektromos kéziszerszámmal a szabad ég alatt dolgozik, csak a szabadban való használatra engedélyezett hosszabbítót használjon.** A szabadban való használatra engedélyezett hosszabbító használata csökkenti az áramütés veszélyét.
- f) **Ha nem lehet elkerülni az elektromos kéziszerszám nedves környezetben való használatát, alkalmazzon egy földzárlat megszakítót.** Egy földzárlat megszakító alkalmazása csökkenti az áramütés kockázatát.
- 3) SZEMÉLYI BIZTONSÁGI ELŐÍRÁSOK**
- a) **Munka közben mindig figyeljen, ügyeljen arra, amit csinál, és meggondoltan dolgozzon az elektromos kéziszerszámmal.** Ha fáradt, ha kábítószerek vagy alkohol hatása alatt áll, vagy orvságokat vett be, ne használja a berendezést. A berendezéssel végzett munka közben már egy pillanatnyi figyelmetlenség is komoly sérülésekhez vezethet.
- b) **Viseljen személyi védőfelszerelést és mindig viseljen védőszemüveget.** A személyi védőfelszerelések, mint porvédő álarc, csúszásbiztos védőcipő, védősapka és fülvédő használata az elektromos kéziszerszám használata jellegének megfelelően csökkenti a személyes sérülések kockázatát.
- c) **Kerülje el a készülék akaratlan üzembe helyezését. Győződjön meg arról, hogy az elektromos kéziszerszám ki van kapcsolva, mielőtt bedugná a csatlakozó dugót a dugaszolóaljzatba, csatlakoztatná az akkumulátor-csomagot, és mielőtt felvenné és vinni kezdené az elektromos kéziszerszámot.** Ha az elektromos kéziszerszám felemelése közben az ujját a kapcsolón tartja, vagy ha a készüléket bekapcsolt állapotban csatlakoztatja az áramforráshoz, ez balesetekhez vezethet.
- d) **Az elektromos kéziszerszám bekapcsolása előtt okvetlenül távolítsa el a beállító szerszámokat vagy csavarkulcsokat.** Az elektromos kéziszerszám forgó részeiben felejtett beállító szerszám vagy csavarkulcs sérüléseket okozhat.
- e) **Ne becsülje túl önmagát. Kerülje el a normálistól eltérő testtartást, ügyeljen arra, hogy mindig biztosan álljon és az egyensúlyát megtartsa.** Így az elektromos kéziszerszám felett váratlan helyzetekben is jobban tud uralkodni.
- f) **Viseljen megfelelő ruhát. Ne viseljen bő ruhát vagy ékszereket. Tartsa távol a haját, a ruháját és a kesztyűjét a mozgó részekről.** A bő ruhát, az ékszereket és a hosszú haját a mozgó alkatrészek magukkal ránthatják.
- g) **Ha az elektromos kéziszerszámmal fel lehet szerelni a por elszívásához és összegyűjtéséhez szükséges berendezéseket, ellenőrizze, hogy azok megfelelő módon hozzá vannak kapcsolva a készülékhez és rendeltetésüknek megfelelően működnek.** A porgyűjtő berendezések használata csökkenti a munka során keletkező por veszélyes hatását.
- 4) AZ ELEKTROMOS KÉZISZERSZÁMOK GONDOS KEZELÉSE ÉS HASZNÁLATA**
- a) **Ne terhelje túl az elektromos kéziszerszámot. A munkájához csak az arra szolgáló elektromos kéziszerszámot használja.** Egy alkalmas elektromos kéziszerszámmal a megadott teljesítménytartományon belül jobban és biztonságosabban lehet dolgozni.
- b) **Ne használjon olyan elektromos kéziszerszámot, amelynek a kapcsolója elromlott.** Egy olyan elektromos kéziszerszám, amelyet nem lehet sem be-, sem kikapcsolni, veszélyes és meg kell javíttatni.
- c) **Húzza ki a csatlakozó dugót a dugaszolóaljzatból és/vagy az akkumulátor-csomagot az elektromos kéziszerszámból, mielőtt az elektromos kéziszerszámon beállítási munkákat végez, tartozékokat cserél vagy a szerszámot tárolásra elteszi.** Ez az elővigyázatossági intézkedés meggátolja a szerszám akaratlan üzembe helyezését.
- d) **A használaton kívüli elektromos kéziszerszámokat olyan helyen tárolja, ahol azokhoz gyerekek ne férhess nek hozzá. Ne hagyja, hogy olyan személyek használják az elektromos kéziszerszámot, akik nem ismerik a szerszámot vagy nem olvasták el ezt az útmutatót.** Az elektromos kéziszerszámok veszélyesek, ha azokat gyakorlatlan személyek használják.
- e) **A készüléket gondosan ápolja. Ellenőrizze, hogy a mozgó alkatrészek kifogástalanul működnek-e, nincsenek-e beszorulva, és nincsenek-e eltörve vagy megrongálódva olyan alkatrészek, amelyek hatással lehetnek az elektromos kéziszerszám működésére. A megrongálódott részeket a készülék használata előtt javíttassa meg.** Sok olyan baleset történik, amelyet az elektromos kéziszerszám nem kielégítő karbantartására lehet visszavezetni.
- f) **Tartsa tisztán és éles állapotban a vágószerszámokat.** Az éles vágóélekkel rendelkező és gondosan ápoltt vágószerszámok ritkábban ékelődnek be és azokat könnyebben lehet vezetni és irányítani.
- g) **Az elektromos kéziszerszámokat, tartozékokat, betétszerszámokat stb. csak ezen előírásoknak használja. Vegye figyelembe a munkafeltételeket és a kivitelezendő munka sajátosságait.** Az elektromos kéziszerszám eredeti rendeltetésétől eltérő célokra való alkalmazása veszélyes helyzetekhez vezethet.

5) SZERVIZ

- a) **Az elektromos kéziszerszámot csak szakképzett személyzet és csak eredeti pótalkatrészek felhasználásával javíthatja.** Ez biztosítja, hogy az elektromos kéziszerszám biztonságos szerszám maradjon.

BIZTONSÁGI ELŐÍRÁSOK CSISZOLÓKHOZ

- Ügyeljen arra, hogy a munkadarabban lévő csavar, szög vagy hasonló sérüléseket ne okozhasson; a munka megkezdése előtt eltávolítandó
- A gép mozgó részétől mindig tartsa távol az elektromos kábelt; terelje a tápkábelt a gép hátulja felé, a géptől elfelé
- **Rögzítse a munkadarabot** (befogókészülékkel vagy satuval befogott munkadarabot sokkal biztonságosabban lehet rögzíteni mint a kézzel tartottat)
- A gépet soha ne hagyja bekapcsolt állapotban, ha már nem dolgozik vele
- Használjon teljesen letekert és biztonságos hosszabbítókábel, 16 A-es teljesítménnyel
- Normálistól eltérő működés valamint szokatlan, idegen hangok esetén a készüléket azonnal kapcsolja ki és a kábelt húzza ki a fali dugaszoló aljzatból
- A SKIL cég kizárólag eredeti alkatrészek és kiegészítők alkalmazása esetén tudja garantálni a gép problémamentes működését, melyek a SKIL-márkakereskedőknél kaphatók
- A készüléket csak 16 éven felüli személyek használják
- Munka közben a zaj meghaladhatja a 85 dB(A); használjon fülvédőt
- **Az elektromos kéziszerszámot csak a szigetelt fogantyúfelületeknél fogja meg, mert a szalag elérheti a készülék saját hálózati vezetékét** (ha az elektromos kéziszerszám elvág egy feszültség alatt álló vezetékét, a fémrészel szintén feszültség alá kerülnek, ami áramütéshez vezet)
- Ha a kábel munka közben megsérül vagy el van vága, ne érjen a kábelhez, hanem azonnal húzza ki a konektorból
- Soha ne használja a szerszámot ha a kábel sérült; cseréltesse ki szakértő által
- Mindig ellenőrizze, hogy a hálózati feszültség megegyezik-e a szerszám adattábláján feltüntetett értékkel (a 230V vagy 240V jelzésű gépek 220V feszültségre is csatlakoztathatók)
- Ez a készülék nedves csiszolási munkálatokhoz nem használható
- **Ne munkáljon meg a berendezéssel azbeszteszt tartalmazó anyagokat** (az azbeszteszt rákkeltő hatása van)
- Az anyagból származó por (mint például az ólmot, néhány fafajtát, ásványi anyagokat és fémet tartalmazó festék) káros lehet (a por érintése vagy belégzése allergiás reakciókat és/vagy légzőszervi betegségeket okozhat a kezelő, illetve a közelben állók esetében); **viseljen pormaszkot és amennyiben csatlakoztatható, dolgozzon porszívó berendezéssel**

- Bizonyos porfajták rákkeltő besorolással rendelkeznek (ilyen például a tölgypora és a bükkfapora), különösen a fa kondicionálására szolgáló adalékokkal együtt; **viseljen pormaszkot és amennyiben csatlakoztatható, dolgozzon porszívó berendezéssel**
- Kövesse a por kezelésével kapcsolatos helyi előírásokat azon termékkel kapcsolatban, amellyel dolgozni kíván
- Fém csiszolásakor szikra keletkezik; ne használjon porzsákot/porszívót; ügyeljen arra, hogy senki ne tartózkodjon a munkaterületen, és ne legyen a közelben gyúlékony anyag
- Ne nyúljon a mozgásban lévő csiszolószalaghoz
- Ne üzemeltesse a csiszológépet kopott, szakadt vagy erősen szoruló csiszolószalaggal
- Viseljen védőkesztyűt, védőszemüveget, testhez álló ruházatot és ügyeljen haja védelmére (hosszú haj esetén)
- **Mindig húzza ki a dugaszolóaljzatot mielőtt tartozékokat cserélne vagy bármit változtatna a gép beállításán**

KEZELÉS

- Be/Ki kapcsológomb
 - a gépet az A ② kapcsoló lenyomásával bekapcsoljuk és elengedésével kikapcsoljuk
 - ! **először kapcsoljuk be a gépet, és csak azután vesszük a munkadarabra**
 - ! **kikapcsolás előtt készülékét távolítsa el a munkadarabtól**
- Kapcsolórögzítő folyamatos használat esetére
 - nyomjuk be az A ② kapcsolót
 - nyomjuk be a B ② gombot
 - engedjük el kapcsolót
 - a rögzítés kioldása az A ② kapcsoló újbóli lenyomásával történik
- Sebességszabályozása ④
 - Gondoskodik arról, hogy optimális csiszolást érjen el minden felületen
 - a C kerék segítségével tudja a csiszolási sebességet beállítani
 - a sebességet mindig a csiszolópapír szemcsézetének megfelelően kell beállítani
 - próbálja ki a beállított értékeket egy próbafelületen a munka megkezdése előtt
- Csiszolószalag cseréje ⑤
 - ! **húzzuk ki a kábel dugóját a csatlakozóaljzatból**
 - emeljük fel a D kart
 - vegyük ki a csiszolószalagot
 - helyezzük be az új szalagot úgy, hogy a szalag belső oldalára nyomtatott nyíl E ugyanabba az irányba mutasson mint a gépen
 - a kart vissza nyomja le
 - ! **időben cseréljük ki a csiszolószalagot**
 - ! **a csiszolószalagot soha ne hajtogassuk össze**
 - Abban az esetben, ha a szalag lecsúszik a gépről (leginkább a gyengébb minőségűek esetén fordul elő) a tennivaló a következő:
 - kapcsolja be a gépet

- fordítsa el az F ② gombot, amíg a csiszolószalag a gép lapos oldalán nem fut
- használjunk új szalagot, amennyiben az még ezek után is lecsúszik
- Por elszívás ⑥
 - az G porzsákot szerelje fel az illusztráció szerint (2 pozíció)
 - a porzsákot időben történő ürítése segíti a tökéletes porgyűjtést
 - ha a gépet porszívóval használja, az H porszívó illesztőegységet szerelje fel az illusztráció szerint (3 pozíció)
- ! **ne használjon porzsákot/porszívót fém csiszolásakor**
- Oldalfogantyú ⑦
 - A K kar segítségével állítsa be a J oldalfogantyút (3 pozíció)
- Csiszolókeret rögzítés ⑧
 - az L csiszolókeretet karcoktól és hornyoktól mentes felületek kiegyenlítésére javasolt felszerelni, és ügyeljen arra, hogy az biztonságosan a helyén legyen
- ! **használat közben az L csiszolókeret felmelegszik, ne érintse meg, amíg le nem hűlt**
- ! **távolítsa el az L csiszolókeretet, mielőtt a szerszámot elteszi**
- A gép vezetése és tartása ⑨
 - a gépet tartsa párhuzamosan a megmunkálandó felülettel
- ! **munka közben mindvégig tartsa gépet a szürke színű markolati terület(ek)en**
- ! **ne gyakoroljon túl nagy nyomást a gépre; hagyja azt egyedül dolgozni**
- mindig a teljes felülettel csiszoljon, hogy a nemkívánatos csiszolási nyomokat elkerülje
- a szellőzőnyílásokat N ② mindig tartsa szabadon

HASZNÁLAT

- Kezeletlen, durva felületeknél a gépet egyenes vonalban az anyag széleivel párhuzamosan vezessük
- Az összes egyéb felület csiszolásakor a szerszámot ovális mozdulatokkal vigyük végig a felületen
- Helyhez kötött használat esetén rögzítsük a gépet a munkapadon fel 2 szorítóval M
- ! **az G porzsákot szerelje fel az illusztráció szerint**
- ! **az H porszívó illesztőegységet szerelje fel az ábrán látható módon**
- Soha ne használjuk ugyanazt a csiszolószalagot fa és fém esetén
- Rezgésszint
 - Az ezen felhasználói kézikönyv végén megadott rezgés-kibocsátási szint mérése az EN 60745 szabványban meghatározott szabványosított teszttel összhangban történt; ez egy eszköznek egy másik eszközzel történő összehasonlítására, illetve a rezgésnek való kitettség előzetes felmérésére használható fel az eszköznek az említett alkalmazásokra történő felhasználása során
 - az eszköznek eltérő alkalmazásokra, vagy eltérő, illetve rosszul karbantartott tartozékokkal történő felhasználása jelentősen **emelheti** a kitettség szintjét

- az idő, amikor az eszköz ki van kapcsolva, vagy amikor ugyan működik, de ténylegesen nem végez munkát, jelentősen **csökkentheti** a kitettség szintjét
- ! **az eszköz és tartozékai karbantartásával, kezelésével melegen tartásával, és munkavégzésének megszervezésével védje meg magát a rezgések hatásaitól**

KARBANTARTÁS / SZERVIZ

- Mindig tartsa tisztán a gépet és a vezetéket (különös tekintettel a szellőzőnyílásokra N ②)
 - kefe segítségével távolítsa el a szerszámmal tapadt csiszolóport
- ! **tisztítás előtt húzza ki a csatlakozódugót**
- Ha a porelszívás már nem működik megfelelően, felnyithatja a készülékházat P az ábra szerint, és eltávolíthatja az esetlegesen felgyűlt csiszolóport ⑩
- ! **tisztítás előtt húzza ki a csatlakozódugót**
- Ha a gép a gondos gyártási és ellenőrzési eljárás ellenére egyszer mégis meghibásodna, akkor a javítással csak SKIL elektromos kéziszerszám-műhely ügyfélszolgálatát szabad megbízni
 - küldje az **összeszerelt** gépet a vásárlást bizonyító számlával együtt a kereskedő vagy a legközelebbi SKIL szervizállomás címére (a címlista és a gép szervizdiagramja a www.skileurope.com címen található)

KÖRNYEZET

- **Az elektromos kéziszerszámokat, tartozékokat és csomagolást ne dobja a háztartási szemétkébe** (csak EU-országok számára)
 - a használt villamos és elektronikai készülékekről szóló 2002/96/EK irányelv és annak a nemzeti jogba való átültetése szerint az elhasznált elektromos kéziszerszámokat külön kell gyűjteni, és környezetbarát módon újra kell hasznosítani
 - erre emlékeztet a ⑫ jelzés, amennyiben felmerül az intézkedésre való igény

CZ

Pásová bruska

7660

ÚVOD

- Toto náradí je určeno k broušení dřeva za sucha, plastů, kovů, tmelu a lakovaných povrchů větším opotřebením
- Tento návod s pokyny si pečlivě přečtěte a uschovejte ③

TECHNICKÉ ÚDAJE ①

SOUČÁSTI NÁSTROJE ②

- A Spínač "zapnuto/vypnuto"
- B Knoflík pro zajištění hlavního spínače "zapnuto/vypnuto"
- C Kolečko regulátor rychlosti broušení

- D Páčka pro výměnu brusného pásu
- E Šipka
- F Knoflík pro nastavení vystředění pásu
- G Prachový sáček
- H Adaptér vysavače
- J Pomocná rukojeť
- K Páčka pro seřízení pomocná rukojeť
- L Brusný rám
- M Upínací svorky pro stacionární použití
- N Větrací štěrbin

BEZPEČNOST

VŠEOBECNÉ BEZPEČNOSTNÍ PŘEDPISY

⚠️ POZOR! Čtěte všechna varovná upozornění a pokyny. Zanedbání při dodržování varovných upozornění a pokynů mohou mít za následek úder elektrickým proudem, požár a/nebo těžká poranění. **Všechna varovná upozornění a pokyny do budoucna uschovejte.**

Ve varovných upozorněních použitý pojem "elektronářadí" se vztahuje na elektronářadí provozované na el. síti (se síťovým kabelem) a na elektronářadí provozované na akumulátoru (bez síťového kabelu).

1) BEZPEČNOST PRACOVNÍHO MÍSTA

- a) **Udržujte Vaše pracovní místo čisté a uklizené.**
Nepořádek nebo neosvětlené pracovní oblasti mohou vést k úrazům.
- b) **Se strojem nepracujte v prostředích ohrožených explozí, kde se nacházejí hořlavé kapaliny, plyny nebo prach.** Elektronářadí vytváří jiskry, které mohou prach nebo páry zapálit.
- c) **Děti a jiné osoby udržujte při použití elektronářadí daleko od Vašeho pracovního místa.** Při rozptýlení můžete ztratit kontrolu nad strojem.

2) ELEKTRICKÁ BEZPEČNOST

- a) **Připojovací zástrčka stroje musí lícovat se zásuvkou. Zástrčka nesmí být žádným způsobem upravena. Společně se stroji s ochranným uzemněním nepoužívejte žádné adaptérové zástrčky.** Neupravené zástrčky a vhodné zásuvky snižují riziko elektrického úderu.
- b) **Zabraňte kontaktu těla s uzemněnými povrchy, jako např. potrubí, topení, sporáky a chladničky.** Je-li Vaše tělo uzemněno, existuje zvýšené riziko elektrického úderu.
- c) **Chraňte stroj před deštěm a vlhkem.** Vniknutí vody do elektrického stroje zvyšuje nebezpečí elektrického úderu.
- d) **Dbějte na účel kabelu, nepoužívejte jej k nošení či zavěšení stroje nebo vytažení zástrčky ze zásuvky. Udržujte kabel daleko od tepla, oleje, ostrých hran nebo pohyblivých dílů stroje.** Poškozené nebo spletené kabely zvyšují riziko elektrického úderu.

- e) **Pokud pracujete s elektronářadím venku, použijte pouze takové prodlužovací kabely, které jsou schváleny i pro venkovní použití.**

- Použití prodlužovacího kabelu, jež je vhodný pro použití venku, snižuje riziko elektrického úderu.
- f) **Pokud se nelze vyhnout provozu elektronářadí ve vlhkém prostředí, použijte ochranný jistič.**
Nasazení ochranného jističe snižuje riziko úderu elektrickým proudem.

3) BEZPEČNOST OSOB

- a) **Bud'te pozorní, dávejte pozor na to, co děláte a přistupujte k práci s elektronářadím rozumně. Stroj nepoužívejte pokud jste unaveni nebo pod vlivem drog, alkoholu nebo léků.** Moment nepozornosti při použití elektronářadí může vést k vážným poraněním.
 - b) **Noste osobní ochranné pomůcky a vždy ochranné brýle.** Nošení osobních ochranných pomůček jako maska proti prachu, bezpečnostní obuv s protiskluzovou podrážkou, ochranná přilba nebo sluchátka, podle druhu nasazení elektronářadí, snižují riziko poranění.
 - c) **Zabraňte neúmyslnému uvedení do provozu. Přesvědčte se, že je elektronářadí vypnuté dříve než jej uchopíte, poneseťe či připojíte na zdroj proudu a/ nebo akumulátor.** Máte-li při nošení elektronářadí prst na spínači nebo pokud stroj připojíte ke zdroji proudu zapnutý, pak to může vést k úrazům.
 - d) **Než stroj zapnete, odstraňte seřizovací nástroje nebo šroubovák.** Nástroj nebo klíč, který se nachází v otáčivém dílu stroje, může vést k poranění.
 - e) **Nepřeceňujte se. Zajistěte si bezpečný postoj a vždy udržujte rovnováhu.** Tím můžete stroj v neočekávaných situacích lépe kontrolovat.
 - f) **Noste vhodný oděv. Nenoste žádný volný oděv nebo šperky. Vlasy, oděv a rukavice udržujte daleko od pohybujících se dílů.** Volný oděv, šperky nebo dlouhé vlasy mohou být zachyceny pohybujícími se díly.
 - g) **Lze-li namontovat odsávací či zachycující přípravky, přesvědčte se, že jsou připojeny a správně použity.** Použití odsávání prachu může snížit ohrožení prachem.
- #### 4) SVĚDOMITÉ ZACHÁZENÍ A POUŽÍVÁNÍ ELEKTRONÁŘADÍ
- a) **Stroj nepřetěžujte. Pro svou práci použijte k tomu určený stroj.** S vhodným elektronářadím budete pracovat v udané oblasti výkonu lépe a bezpečněji.
 - b) **Nepoužívejte žádné elektronářadí, jehož spínač je vadný.** Elektronářadí, které nelze zapnout či vypnout je nebezpečné a musí se opravit.
 - c) **Než provedete seřízení stroje, výměnu dílů příslušenství nebo stroj odložíte, vytáhněte zástrčku ze zásuvky a/nebo odstraňte akumulátor.** Toto preventivní opatření zabrání neúmyslnému zapnutí stroje.
 - d) **Uchovávejte nepoužívané elektronářadí mimo dosah dětí. Nenechte stroj používat osobám, které se strojem nejsou seznámeny nebo nečetly tyto pokyny.** Elektronářadí je nebezpečné, je-li používáno nezkušenými osobami.

- e) **Pečujte o stroj svědomitě. Zkontrolujte, zda pohyblivé díly stroje bezvadně fungují a nevzpříčují se, zda díly nejsou zlomené nebo poškozené tak, že je omezena funkce stroje. Poškozené díly nechte před nasazením stroje opravit.** Mnoho úrazů má příčinu ve špatně udržovaném elektronářadí.

- f) **Řezné nástroje udržujte ostré a čisté.**

Pečlivě ošetřované řezné nástroje s ostrými řeznými hranami se méně vzpříčují a dají se lehčeji vést.

- g) **Používejte elektronářadí, příslušenství, nasazovací nástroje apod. podle těchto pokynů. Respektujte přítom pracovní podmínek a prováděnou činnost.** Použití elektronářadí pro jiné než určující použití může vést k nebezpečným situacím.

5) SERVIS

- a) **Nechte Váš stroj opravit pouze kvalifikovaným odborným personálem a pouze s originálními náhradními díly.** Tím bude zajištěno, že bezpečnost stroje zůstane zachována.

BEZPEČNOSTNÍ PŘEDPISY PRO BRUSKY

- Vrtačku nepoužívejte je-li navlhla a nepracujte v blízkosti snadno zápalných nebo výbušných materiálů; před zahájením práce je odstraňte
- Šňůru udržujte vždy mimo dosah pohyblivých částí nástroje; šňůru nasměrujte dozadu, pryč od nástroje
- **Zajistěte obráběný díl** (obráběný díl uchycený pomocí upínacích zařízení nebo ve svěráku je mnohem bezpečnější než v ruce)
- Jakmile se hodláte vzdálit od nářadí, měl byste ho vypnout a vyčkat, dokud se pohybující částí nezastaví
- Používejte zcela rozvinuté a bezpečně prodlužovací šňůry o kapacitě 16 ampér
- V případě atypického chování nebo cizích hluků ihned vypněte nářadí a vytáhněte zástrčku
- SKIL zajistí bezchybnou funkci nářadí pouze tehdy, používáte-li odpovídající příslušenství, které obdržíte u svého prodejce SKIL
- Tento nástroj nesmí používat osoby mladší 16 let
- Hladina hluku může při práci přesáhnout 85 dB(A); vhodným prostředkem si chraňte udi
- **Držte elektronářadí na izolovaných uchopovacích plochách, protože pás se může dotknout vlastního kabelu** (kontakt s vodičem "pod proudem" způsobí přenos proudu do neizolovaných částí nástroje a přivodí uživateli úraz)
- Jestliže přívodní šňůra při práci podkódíte nebo prořiznete, nedotýkejte se jí a okamžitě ji vytáhněte ze sítové zásuvky
- Píla se nesmí používat, je-li její přívodní šňůra poškozená; nechte si je kvalifikovaným pracovníkem vyměnit
- Vždy zkontrolujte, zda je napájecí napětí stejné jako napětí uvedené na typovém štítku nástroje (nářadí určené k napájení 230V nebo 240V lze použít též v síti 220V)
- Tento nářadí není vhodný k broušení za mokra
- **Nepracovávajte žádný materiál obsahující azbest** (azbest je karcinogenní)

- Prach z látek, jako jsou barvy obsahující olovo, některé druhy dřeva, minerály a kovy, může být škodlivý (kontakt s prachem nebo jeho vdechnutí může způsobit alergickou reakci a/nebo vyvolat respirační choroby u obsluhy nebo přihlížejících); **noše protiprachovou masku a pracujte se zařízením na odsávání prachu, pokud je možné jej připojit**
- Některé druhy prachu jsou klasifikovány jako karcinogenní (například dubový a bukový prach) zejména ve spojení s přísadami pro úpravu dřeva; **noše protiprachovou masku a pracujte se zařízením na odsávání prachu, pokud je možné jej připojit**
- Dodržujte stanovená nařízení pro práci v prašném prostředí
- Při broušení vznikají jiskry; nepoužívejte prachový sáček/odsávání a pracoviště udržujte čisté a nepouštějte k němu neoprávněné osoby
- Nedotýkejte se pohybujícího se brusného pásu
- Opotřebovaný, natržený nebo zanesený brusný pás vždy ihned vyměňte
- Při práci použijte ochranné rukavice, ochranné brýle, sítku na vlasy (dlouhé) a oděv, který se nástrojem nemůže zachytit
- **Před seřizováním, měněním pilových listů a příslušenství, vždy vytáhněte zástrčku nářadí z el. sítě**

OBSLUHA

- Spínač "zapnuto/vypnuto"
 - zapněte/vypněte nářadí stisknutím/uvolněním vypínače A ②
 - ! **brusku nejprve zapněte a pak přiložte brousící plochou na obráběný předmět**
 - ! **před vypnutím nářadí nejprve odejměte od obrobku**
- Zajištění spínače při nepřetržitém vrtání
 - stiskem vypínače A ②
 - stiskněte knoflík B ② palcem
 - vypínač uvolní
 - dalším stisknutím vypínače A ② se knoflík uvolní
- Kontrola rychlosti ④
 - Optimální výsledky při broušení různých materiálů docílíte
 - pevným ovladačem C můžete nastavit požadovanou rychlost broušení
 - pracovní rychlost musí souhlasit a být přizpůsobena zrnitosti brusného papíru
 - vyzkoušejte si nejprve optimální pracovní rychlost a velikost zrnění na zkušební části materiálu
- Výměna brusného pásu ⑤
 - ! **rozpojte přívodní šňůru**
 - uvolnit páku napínání D
 - vyjmout brusný pás
 - vložit nový brusný pás se šípkami na vnitřní straně pásu ukazující ve stejném směru jako šípka E na nářadí
 - páku napínání ztláčit nazpět
 - ! **brusný pás vyměňte véas**
 - ! **brusné pásy se nesmí překládat**

V případě, že pás z nástroje sklouzne (způsobeno většinou nekvalitním pásem), musíte

- zapnete nářadí
- otočte knoflík F ② až se brusný pás téměř uzavře se stranou zavádění pásu nářadí
- jestliže pás opět sklouzne, vyměňte jej
- Odsávání prachu ⑥
 - namontovat prachový sáček G, jak to ukazuje obrázek (2 polohy)
 - k zajištění optimálního odsávání prachu pravidelně vyprázdněte prachový sáček
 - při používání nářadí s odsáváním, namontovat otvor odsávání H, jak to ukazuje obrázek (3 polohy)
- ! **při broušení kovů prachový sáček/vysavač nepoužívejte**
- Pomocná rukojeť ⑦
 - Páčkou K nastavte pomocná rukojeť J (2 polohy)
- Upevnění brusného rámu ⑧
 - upevněte brusný rám L v případě, že potřebujete vyrovnat povrchy bez poškrábání nebo drážek, a zkontrolujte, zda je pevně na místě
- ! **brusný rám L se během používání velmi zahřívá; nedotýkejte se ho, dokud nevychladne**
- ! **vytáhněte brusný rám L před uskladněním nářadí**
- Držení a vedení nástroje ⑨
 - udržujte brusku rovnoběžně s obráběnou plochou
- ! **při práci vždy držte nástroj v šedě zabarvené oblasti rukojeti**
- ! **na nářadí přílid netlačte, nechte pracovat brousící plochu za vás**
- zabráníte tak vzniku nežadoucích rýh na obráběném materiálu
- udržujte větrací šterbiny N ② nezakryté

NÁVOD K POUŽITÍ

- Pro hrubé broušení pohybuje nářadím v podélném směru
- Pro dosažení jemného povrchu je nutné se pohybovat po površích kroužením
- Pro stacionární použití nástroj připevněte k pracovnímu stolu 2 upínacími svorkami M
 - ! **namontovat prachový sáček G, jak to ukazuje obrázek**
 - ! **namontovat otvor odsávání H, jak to ukazuje obrázek**
- Dřevo a kovy se nesmí brousit stejným brusným pásem
- Úroveň vibrací
 - Úroveň vibrací uvedená na zadní straně tohoto manuálu s pokyny byla měřena v souladu se standardizovaným testem podle EN 60745; je možné ji použít ke srovnání jednoho přístroje s druhým a jako předběžné posouzení vystavování se vibracím při používání přístroje k uvedeným aplikacím
 - používání přístroje k jiným aplikacím nebo s jiným či špatně udržovaným příslušenstvím může zásadně **zvýšit** úroveň vystavení se vibracím
 - doba, kdy je přístroj vypnutý nebo kdy běží, ale ve skutečnosti není využíván, může zásadně **snižit** úroveň vystavení se vibracím

! **chráňte se před následky vibrací tak, že budete dbát na údržbu přístroje a příslušenství, budete si udržovat teplé ruce a uspořádáte si své pracovní postupy**

ÚDRŽBA / SERVIS

- Nástroj a přívodní šňůru udržujte čisté (zejména větrací šterbiny N ②)
 - brusný prach Inouci k nástroji odstraňte kartáčem
- ! **před čištěním odpojte zástrčku**
- Pokud odsávání prachu přestane fungovat správně, můžete otevřít kryt P podle obrázku a odstranit nahromaděný brusný prach ⑪
 - ! **před čištěním odpojte zástrčku**
- Pokud dojde i přes pečlivou výrobu a náročnou kontrolu k poruše nástroje, svěřte provedení opravy autorizovanému servisnímu středisku pro elektronářadí firmy SKIL
 - zašlete nástroj **nerozebraný** spolu s potvrzením o nákupu své prodejně nebo nejbližšímu servisu značky SKIL (adresy a servisní schema nástroje najdete na www.skileurope.com)

ŽIVOTNÍ PROSTŘEDÍ

- **Elektrické nářadí, doplňky a balení nevyhazujte do komunálního odpadu** (jen pro státy EU)
 - podle evropské směrnice 2002/96/EG o nakládání s použitými elektrickými a elektronickými zařízeními a odpovídajících ustanovení právních předpisů jednotlivých zemí se použitá elektrická nářadí, musí sbírat odděleně od ostatního odpadu a podrobit ekologicky šetrnému recyklování
 - symbol ⑫ na to upozorňuje

TR

Tank zımpara

7660

GİRİŞ

- Bu aletle tahta, plastik, metal, macunlu ve boyalı yüzeylerin zımparalanması için geliştirilmiştir, zımparalama performansı oldukça yüksektir
- Bu kullanma kılavuzunu okuyun ve saklayın ③

TEKNİK VERİLER ①

ALET BİLEŞENLERİ ②

- A Açma/kapama şalteri
- B Açma/kapama şalteri kilid düğmesi
- C Zımpara hız seçimi tekerleği
- D Zımpara kayışını değiştirme kol
- E Ok
- F Kayış ortalama düğmesi
- G Toz torbası

- H Süpürge bağlantısı
- J Yedek tutamak
- K Yedek tutamağı ayarlamak için kol
- L Zımpara çerçevesi
- M Sabit kullanım için mengene
- N Havalandırma yuvaları

GÜVENLİK

GENEL GÜVENLİK TALİMATI

⚠ DİKKAT! Bütün uyarıları ve talimat hükümlerini okuyun. Açıklanan uyarılara ve talimat hükümlerine uyulmadığı takdirde elektrik çarpmalarına, yangınlara ve/veya ağır yaralanmalara neden olunabilir. **Bütün uyarıları ve talimat hükümlerini ileride kullanmak üzere saklayın.** Uyarı ve talimat hükümlerinde kullanılan "elektrikli el aleti" kavramı, akım şebekesine bağlı (şebeke bağlantı kablosu ile) aletlerle akü ile çalışan aletleri (akım şebekesine bağlantısı olmayan aletler) kapsamaktadır.

1) ÇALIŞMA YERİ GÜVENLİĞİ

- a) **Çalıştığınız yeri temiz ve düzenli tutun.** İşyerindeki düzensizlik veya yetersiz aydınlatma kazalara neden olabilir.
- b) **Yanıcı sıvıların, gazların veya tozların bulunduğunu patlama tehlikesi olan yer ve mekânlarda aletinizle çalışmayın.** Elektrikli el aletleri, toz veya buharların tutuşmasına veya yanmasına neden olan kıvılcımlar çıkarırlar.
- c) **Elektrikli el aletinizle çalışırken çocukları ve başkalarını çalışma alanınıza uzağında tutun.** Yakınızdaki bulunan kişiler dikkatinizi dağıtabilir ve bu da alet üzerindeki kontrolünüzü kaybetmenize neden olabilir.

2) ELEKTRİKSEL GÜVENLİK

- a) **Aletinizin bağlantı fişi prize uymalıdır. Fişi hiçbir şekilde değiştirmeyin. Koruyucu topraklamalı aletlerle adaptörlü fiş kullanmayın.** Değiştirilmemiş, orijinal fiş ve uygun prizler elektrik çarpma tehlikesini azaltır.
- b) **Borular, kalorifer tesisatı, ısıtıcılar ve buzdolapları gibi topraklanmış yüzeylerle bedensel temasa gelmekten kaçının.** Eğer bedeniniz topraklanacak olursa yüksek bir elektrik çarpma tehlikesi ortaya çıkar.
- c) **Aletinizin yağmur ve nemden koruyun.** Elektrikli el aletinin içine suyun sızması elektrik çarpma tehlikesini yükseltir.
- d) **Kabloyu kendi amacı dışında kullanmayın; örneğin aleti kablodan tutarak taşımayın, aleti kablo ile asmayın veya kablodan çekerek fişi prizden çıkarmayın. Kabloyu aşırı sıcaktan, yağlardan, keskin kenarlı cisimlerden veya aletin hareketli parçalarından uzak tutun.** Hasarlı veya dolaşmış kablo elektrik çarpma tehlikesini yükseltir.

- e) **Elektrikli el aletinizle açık havada çalışırken mutlaka açık havada kullanılmaya müsadeleli uzatma kablosu kullanın.** Açık havada kullanılmaya uygun ve müsadeleli uzatma kablosunun kullanılması elektrik çarpma tehlikesini azaltır.
 - f) **Elektrikli el aletinin nemli ortamlarda çalıştırılması şartsa, mutlaka toprak kaçağı devre kesicisi kullanın.** Toprak kaçağı devre kesicisi kullanımı elektrik çarpma tehlikesini azaltır.
- #### 3) KİŞİLERİN GÜVENLİĞİ
- a) **Dikkatli olun, ne yaptığınızda dikkat edin ve elektrikli el aletinizle çalışırken makul hareket edin. Yorgunsanız, hap, ilaç veya alkol almışsanız aletinizi kullanmayın.** Aletinizi kullanırken bir anlık dikkatsizliğiniz ciddi yaralanmalara yol açabilir.
 - b) **Daima kişisel korunma donanımları ve bir koruyucu gözlük kullanın.** Elektrikli el aletinin türü ve kullanımına uygun olarak kullanacağınız toz maskesi, kaymayan sağlam iş ayakkabıları, koruyucu kask veya koruyucu kulaklık gibi kişisel korunma donanımlarını kullanmanız yaralanma tehlikesini büyük ölçüde azaltır.
 - c) **Aleti yanlışlıkla çalıştırmaktan kaçının. Akım ikmal şebekesine ve/veya aküye bağlamadan, elinize alıp taşımadan önce elektrikli el aletinin kapalı durumda olduğundan emin olun.** Elektrikli el aletini parmağınız şalter üzerinde dururken taşırsanız ve alet açıkken fişi prize sokarsanız kazalara neden olabilirsiniz.
 - d) **Aleti çalıştırmadan önce ayar aletlerini veya tornavidaları aletten uzaklaştırın. Akım ikmal parçasına temas halinde bulunan bir uç veya anahtar yaralanmalara neden olabilir.**
 - e) **Kendinize çok fazla güvenmeyin. Duruşunuzun güvenli olmasına dikkat edin ve daima dengenizi koruyun.** Bu sayede aletinizi beklenmedik durumlarda daha iyi kontrol edersiniz.
 - f) **Uygun iş giysileri giyin. Çalışırken çok bol giysiler giymeyin ve takı takmayın. Saçlarınızı, giysilerinizi ve eldivenlerinizi aletin hareketli parçalarından uzak tutun.** Bol giysiler, takılar veya uzun saçlar aletin hareketli parçaları tarafından tutulabilir.
 - g) **Aletinize toz emme donanımı ve toz tutma donanımı takılabiliyorsa, bunların bağlı olup olmadığını ve doğru işlev görüp görmediklerini kontrol edin.** Toz emme donanımının kullanımı tozdan kaynalanabilecek tehlikeleri azaltır.
- #### 4) ELEKTRİKLİ EL ALETLERİYLE DİKKATLİ ÇALIŞMAK VE ALETİ DOĞRU KULLANMAK
- a) **Aletinizi aşırı ölçüde zorlamayın. İşinize uygun elektrikli el aletini kullanın.** Uygun elektrikli el aleti ile belirtilen performans alanında daha iyi ve daha güvenli çalışırsınız.
 - b) **Açma/kapama şalteri arızalı olan elektrikli el aletini kullanmayın.** Açılıp kapanamayan bir elektrikli el aleti tehlikelidir ve onarılması gerekir.
 - c) **Alette bir ayarlama işlemine başlamadan ve/veya aküyü çıkarmadan önce, herhangi bir aksesuarı değiştirirken veya aleti elinizden bırakırken fişi prizden çekin.** Bu önlem, aletin kontrolünüz dışında ve istenmeden çalışmasını önler.

- d) **Kullanım dışında iken elektrikli el aletinizi çocukların ulaşamayacağı bir yerde saklayın. Aleti kullanmayı bilmeyen veya bu güvenlik talimatını okumayan kişilerin aleti kullanmasına izin vermeyin.** Deneyimsiz kişiler tarafından kullanılabilirliği takdirde elektrikli el aletleri tehlikeli olabilirler.
- e) **Aletinizin bakımını düzenli yapın. Aletin hareketli parçalarının kusursuz işlev görüp görmediklerini ve sıkışmadıklarını, parçaların kırık veya hasarlı olup olmadıklarını kontrol edin, aksi takdirde alet işlevini tam olarak yerine getiremez. Aletinizi kullanmadan önce hasarlı parçaları onartın.** Birçok iş kazası aletlerin kötü ve yetersiz bakımından kaynaklanır.
- f) **Kesici uçları keskin ve temiz tutun.** İyi bakım görmüş kesici uçlar daha ender sıkışır ve daha iyi yönlendirilirler.
- g) **Elektrikli el aletlerini, aksesuarı, uçları ve benzerlerini bu güvenlik talimatına uygun olarak kullanın. Aletinizi kullanırken çalışma koşullarını ve yaptığınız işi daima dikkate alın.** Elektrikli el aletlerini kendileri için öngörülen işlerin dışında kullanmak tehlikeli durumların ortaya çıkmasına neden olabilir.
- 5) SERVİS**
- a) **Aletinizi sadece uzman bir elemana ve orijinal yedek parçalar kullanılarak onartın.** Böylelikle aletin güvenliğini korumuş olursunuz.

ZIMPARALARA İÇİN GÜVENLİK TALİMATI

- İş parçasının vida, çivi ve benzeri malzeme tarafından hasar görmemesi için dikkatli olun; çalışmaya başlamadan önce bunları çıkartın
- Kabloyu her zaman aletin hareketli parçalarından uzak tutun; kabloyu arka tarafta araçtan uzakta bulundurun
- **Çalıştığınız parçayı sabitleyin** (kıskaçlarla ya da mengeneyle sabitlenmiş bir iş parçası elle tutulan işten daha güvenlidir)
- Aletinizi bırakıp gitmeden önce mutlaka kapatın ve döner parçaların tam olarak durmasını bekleyin
- Tamamen kusursuz ve güvenli 16 Amp uzatma kabloları kullanın
- Elektriksel veya mekaniksel hatalı çalışma durumunda aleti hemen kapatın ve fişi çekin
- SKIL sadece SKIL satıcınızdan temin edeceğiniz uygun aksesuarları kullanıldığında aletin düzgün çalışmasını garanti eder
- Bu alet 16 yaşının altındaki kişiler tarafından kullanılmamalıdır
- Cihaz çalışırken gürültü seviyesi 85 dB(A) desibele kadar çıkabilir; kulak koruyucu kullanınız
- **Zımpara şeridi kendi kablosuna temas edebileceği için elektrikli aleti izolasyonlu tutamaklarından tutun** (akım ileten elektrik kablosunun kesilmesi aletin metal parçalarının da elektrik akımına maruz kalmasına ve kullanan kişiyi elektrik çarpmasına neden olabilir)
- Eğer cihazı kullanırken kordon hasar görür yada kesilirse, kordona kesinlikle dokunmayınız ve derhal fişi çekiniz
- Kordon hasarlı iken cihazı kesinlikle kullanmayınız; uzman bir kişi tarafından değiştiriniz

- Güç geriliminin, cihazın özellik plakasında belirtilen voltaj değeriyle aynı olduğunu sık sık kontrol edin (230V veya 240V aletler 220V kaynağa bağlanabilir)
- Bu alet sulu zımparalama işlerine uygun değildir
- **Bu aletle asbest içeren malzemeleri işlemeyin** (asbest kanserojen bir madde kabul edilir)
- Kurşun içeren boya, bazı ahşap türleri, mineral ve metal gibi malzemelerden çıkan toz zararlı olabilir (tozla temasta bulunulması veya solunması operatörde veya yakında bulunan kişilerde alerjik reaksiyonlara ve/veya solunum yolu hastalıklarına neden olabilir); **toz maskesi takın ve toz ekstraksiyon cihazıyla çalışın (bağlanabiliyorsa)**
- Bazı toz tipleri (örneğin meşe ve kayın ağacı tozu), bilhassa ahşap yenileme katkı maddeleriyle birlikte, kanserojenik olarak sınıflandırılır; **toz maskesi takın ve toz ekstraksiyon cihazı ile çalışın (bağlanabiliyorsa)**
- Çalışmak istediğiniz malzemelerin, toz ile ilgili ulusal taleplerini takip ediniz
- Metalleri zımparalarken sırasında kıvılcımlar oluşur; toz torbası/elektrik süpürgesi kullanmayın ve diğer çalışanları ve yanıcı malzemeleri çalışma alanınızdan uzak tutunuz
- Hareket halindeki zımpara şeridine dokunmayın
- Aşınmış, yırtılmış veya gözenekleri aşın ölçüde dolmuş zımpara şeritlerini kullanmayın
- Koruyucu iş eldivenleri giyin, koruyucu gözlük, dar giysiler ve saç koruyucu (saçlarınız uzunsa)
- **İsteddiğiniz ayar değişikliklerini ve aksesuar değişikliklerini yapmadan önce mutlaka şebeke fişini prizden çekin**

KULLANIM

- Açma / kapama şalteri
 - bu alet A ② şalterine basmak ve bu şalteri bırakmak suretiyle açıp kapanır
- **! aletin zımparalama yüzeyi iş parçasına temas etmeden önce aletin çalıştırılması gerekir**
- **! aleti kapatmadan önce iş parçası üzerinden kaldırın**
- Sürekli kullanımı için anahtar kilitleme
 - A ② şalterine basın
 - B ② düğmesine başparmağınızla bastırın
 - şalterin boşaltılmasını
 - A ② şalterine tekrar basıp bırakmak suretiyle şalteri sabit konumdan kurtarın
- Hız kontrolü ④
 - Çeşitli malzemelerde optimal zımpara sonucu için - tespit düğmesi C yardımı ile istediğiniz zımpara hızını ayarlayabilirsiniz
 - çalışma hızı zımpara kâğıdının kum kalınlığına uyarlanmalıdır
 - çalışmaya başlamadan önce bir deney malzemesi üzerinde optimal hızı ve kum kalınlığını kontrol edin
- Zımpara şeritlerinin değiştirilmesi ⑤
 - **! şebeke fişini çekin**
 - germe kolunu D gevşetin
 - zımpara şeritini çıkarın

- şerit için kısmındaki oklar E ile alet üzerindeki okun yönü aynı olacak biçimde yeni zımpara şeritini yerine yerleştirin

- germe kolunu geri bastırın

! zımpara şeritlerini zamanında değiştirin

! zımpara şeritlerini asla katlamayın

Şeridin aletten çıkması durumunda (genellikle şerit kalitesinin yetersiz olması nedeniyle meydana gelir), şunları yapmanız gerekir

- aleti çalıştırın

- zımpara şeriti aletin şerit yönlendirme tarafına

oturuncaya kadar düğmeyi F ② seçin

- zımpara şeridi hâlâ aletten çıkıyorsa, yeni şerit kullanın

• Toz emme ⑥

- toz torbasını G gösterilen şekilde takın (2 konum)

- toz torbasının düzenli olarak temizlenmesi toz tutma kapasitesini optimal düzeyde tutar

- aleti elektrikli süpürgeyle kullanırken veya kullanılmazken vakum H adaptörünü örnekte gösterildiği gibi yerleştirin (3 konum)

! metalleri zımparalarken toz torbası/elektrik süpürgesini kullanmayın

• Yedek tutamak ⑦

Yedek tutamağı J ayarı için K kolunu kullanın (2 konum)

• Zımpara çerçevesi tespiti ⑧

- yüzeyleri çizik veya oluklar oluşmadan eşitlemek için L zımpara çerçevesini monte edin, ve yerine sağlam oturduğundan emin olun

! kullanım sırasında zımpara çerçevesi L aşırı ısınabilir; soğuyana kadar elle temas etmeyiniz

! aleti saklamadan önce L zımpara çerçevesini çıkarm

• Aletin tutulması ve kullanılması ⑨

- aleti, işlediğiniz yüzeye paralel olarak tutun

! çalışma esnasında, aleti daima gri renkli bölge(ler)den tutun(uz)

! alet üzerinde fazla baskı uygulamayın; bırakın aletin zımparalama yüzeyi sizin için çalışsın

- aletin yüzeye olan paralellliğini bozmayın, aksi takdirde işlenen yüzeyde istenmeyen zımpara izleri oluşur

- havalandırma yuvalarını N ② açık tutun

UYGULAMA

- Hiç işlem görmemiş tahta yüzeylerini işlemek üzere aleti tahtanın damarları boyunca hareket ettirin
- Diğer yüzeyleri işlemek için aleti iş parçasının üzerinde oval hareketlerle hareket ettirin
- Sabit kullanım için aleti tezgâh 2 mengene M üzerine yerleştirin
! toz torbasını G gösterilen şekilde takın
! süpürge bağlantısı H gösterilen şekilde takın
- Ayın zımpara şeritini ile hiçbir zaman hem tahta, hem de metalleri zımparalamayın

• Titreşim seviyesi

Kullanım kılavuzunun arkasında belirtilen titreşim emisyon seviyesi EN 60745'te sunulan standart teste göre ölçülmüştür; bu seviye, bir aleti bir başkasıyla karşılaştırmak amacıyla ve aletin söz konusu uygulamalarda kullanılması sırasında titreşime maruz kalma derecesinin ön değerlendirmesi olarak kullanılabilir

- aletin farklı uygulamalar için veya farklı ya da bakımı yetersiz yapılmış aksesuarlarla kullanılması, maruz kalma seviyesini belirgin biçimde **artırabilir**
- aletin kapalı olduğu veya çalıştığı ancak gerçek anlamda iş yapmadığı zamanlarda, maruz kalma seviyesi belirgin biçimde **azalabilir**

! aletin ve aksesuarlarının bakımını yaparak, ellerinizi sıcak tutarak ve iş modellerinizi düzenleyerek kendinizi titreşimin etkilerinden koruyun

BAKIM / SERVIS

- Aleti ve kablosunu daima temiz tutun (özellikle havalandırma yuvalarını N ②)
 - yapılan zımpara tozunu bir fırça ile temizleyin**! temizlemeden önce, cihazın fişini prizden çekin**
- Toz emmenin tam olarak çalışmadığı durumlarda, muhafaza parçasını P gösterildiği gibi çıkarabilir ve muhtemel birikmiş olan zımparalama tozunu temizleyebilirsiniz ⑪
! temizlemeden önce, cihazın fişini prizden çekin
- Dikkatli biçimde yürütülen üretim ve test yöntemlerine rağmen aleti arıza yapacak olursa, onarım SKIL elektrikli aletleri için yetkili bir serviste yapılmalıdır
 - aleti ambalajıyla birlikte satın alma belgenizde ekleyerek satıcınıza veya en yakın SKIL servisine ulaştırın (adresler ve aletin servis şemaları www.skileurope.com adresinde listelenmiştir)

ÇEVRE

- Elektrikli aletlerini, aksesuarları ve ambalajları evdeki çöp kutusuna atmayınız (sadece AB ülkeleri için)
 - kullanılmış elektrikli aletleri, elektrik ve elektronik eski cihazlar hakkındaki 2002/96/EC Avrupa yönergelerine göre ve bu yönergeler ulusal hukuk kurallarına göre uyarlanarak, ayrı olarak toplanmalı ve çevre şartlarına uygun bir şekilde tekrar değerlendirilmeye gönderilmelidir
 - sembol ⑫ size bunu anımsatmalıdır

WSTĘP

- Niniejsze elektronarzędzie przeznaczone jest do szlifowania na sucho, usuwając dużą ilość materiału z powierzchni: drewnianych, plastikowych, metalowych, kitu i powierzchni pomalowanych
- Przeczytać i zachować niniejszą instrukcję obsługi ③

PARAMETRY TECHNICZNE ①

ELEMENTY NARZĘDZIA ②

- A Włącznik/wyłącznik
- B Przycisk blokady przełącznika zasilania
- C Pokrętko do regulacji prędkości szlifowania
- D Dźwignia wymiany taśmy ścierniej
- E Strzałka
- F Pokrętko regulacji centrowania taśmy
- G Worek na pył
- H Adapter odsysacza trocin
- J Uchwyt dodatkowy
- K Dźwignia do regulacji uchwytu dodatkowy
- L Rama szlifierska
- M Zaciski do zastosowań stacjonarnych
- N Szczeliny wentylacyjne

BEZPIECZEŃSTWO

OGÓLNE PRZEPISY BEZPIECZEŃSTWA

⚠ UWAGA! Należy przeczytać wszystkie wskazówki i przepisy. Błędy w przestrzeganiu poniższych wskazówek mogą spowodować porażenie prądem, pożar i/lub ciężkie obrażenia ciała. **Należy starannie przechowywać wszystkie przepisy i wskazówki bezpieczeństwa dla dalszego zastosowania.** Użyte w poniższym tekście pojęcie "elektonarzędzie" odnosi się do elektronarzędzi zasilanych energią elektryczną z sieci (z przewodem zasilającym) i do elektronarzędzi zasilanych akumulatorami (bez przewodu zasilającego).

1) BEZPIECZEŃSTWO MIEJSCA PRACY

- a) **Miejsce pracy należy utrzymywać w czystości i dobrze oświetlone.** Nieporządek lub nie oświetlone miejsce pracy mogą doprowadzić do wypadków.
- b) **Nie należy pracować tym narzędziem w otoczeniu zagrożonym wybuchem, w którym znajdują się np. łatwopalne ciecze, gazy lub pyły.** Elektronarzędzia wytwarzają iskry, które mogą podpalic ten pył lub pary.
- c) **Elektonarzędzie trzymać podczas pracy z daleka od dzieci i innych osób.** Przy nieuwadze można stracić kontrolę nad narzędziem.

2) BEZPIECZEŃSTWO ELEKTRYCZNE

- a) **Wtyczka urządzenia musi pasować do gniazda. Nie wolno modyfikować wtyczki w jakikolwiek sposób. Nie należy używać wtyczek adapterowych razem z uziemnionymi narzędziami.** Niezmienione wtyczki i pasujące gniazda zmniejszają ryzyko porażenia prądem.
- b) **Należy unikać kontaktu z uziemnionymi powierzchniami jak rury, grzejniki, piece i lodówki.** Istnieje zwiększone ryzyko porażenia prądem, gdy Państwa ciało jest uziemnione.
- c) **Urządzenie należy przechowywać zabezpieczone przed deszczem i wilgocią.** Wniknięcie wody do elektronarzędzia podwyższa ryzyko porażenia prądem.
- d) **Nigdy nie należy używać kabla do noszenia urządzenia za kabel, zawieszenia lub do wyciągania wtyczki z gniazda. Kabel należy trzymać z daleka od wysokich temperatur, oleju, ostrych krawędzi lub ruchomych części urządzenia.** Uszkodzone lub poplątane kable zwiększają ryzyko porażenia prądem.
- e) **W przypadku, kiedy elektronarzędziem pracuje się na świeżym powietrzu należy używać kabla przedłużającego, który dopuszczony jest do używania na zewnątrz.** Użycie dopuszczonego do używania na zewnątrz kabla przedłużającego zmniejsza ryzyko porażenia prądem.
- f) **Jeżeli nie da się uniknąć zastosowania elektronarzędzia w wilgotnym otoczeniu, należy użyć wyłącznika ochronnego różnicowo-prądowego.** Zastosowanie wyłącznika ochronnego różnicowo-prądowego zmniejsza ryzyko porażenia prądem.

3) BEZPIECZEŃSTWO OSÓB

- a) **Należy być uważnym, uważać na to co się robi i pracę elektronarzędziem rozpocząć z rozsądkiem. Nie należy używać urządzenia gdy jest się zmęczonym lub pod wpływem narkotyków, alkoholu lub lekarstw.** Moment nieuwagi podczas używania urządzenia może doprowadzić do poważnych urażeń ciała.
- b) **Należy nosić osobiste wyposażenie ochronne i zawsze okulary ochronne.** Noszenie osobistego wyposażenia ochronnego jak maska przeciwpyłowa, nie ślizgające się buty robocze, hełm ochronny lub ochrona słuchu, w zależności od rodzaju i zastosowania elektronarzędzia zmniejsza ryzyko obrażeń ciała.
- c) **Należy unikać niezamierzonego uruchomienia narzędzia. Przed włożeniem wtyczki do gniazdkka i/ lub podłączeniem do akumulatora, a także przed podniesieniem lub przeniesieniem elektronarzędzia, należy upewnić się, że elektronarzędzie jest wyłączone.** Trzymanie palca na wyłączniku podczas przenoszenia elektronarzędzia lub podłączenie do prądu włączonego narzędzia, może stać się przyczyną wypadków.
- d) **Zanim urządzenie zostanie włączone należy usunąć narzędzia nastawcze lub klucze.** Narzędzie lub klucz, które znajdują się w ruchomych częściach urządzenia mogą doprowadzić do obrażeń ciała.

- e) **Nie należy przeceniać swoich możliwości. Należy dbać o bezpieczną pozycję pracy i zawsze utrzymywać równowagę.** Przez to możliwa jest lepsza kontrola urządzenia w nieprzewidywanych sytuacjach.
- f) **Należy nosić odpowiednie ubranie. Nie należy nosić luźnego ubrania lub biżuterii. Włosy, ubranie i rękawice należy trzymać z daleka od ruchomych elementów.** Luźne ubranie, biżuteria lub długie włosy mogą zostać pociągnięte przez poruszające się części.
- g) **W przypadku, kiedy możliwe jest zamontowanie urządzeń odsysających lub podchwytyjących należy upewnić się, czy są one właściwie podłączone i prawidłowo użyte.** Użycie urządzenia odsysającego pył może zmniejszyć zagrożenie pyłami.
- 4) UWAGNE OBCOWANIE ORAZ UŻYCIE ELEKTRONARZĘDZIA**
- a) **Nie należy przeciążać urządzenia. Do pracy używać należy elektronarzędzia, które jest do tego przewidziane.** Odpowiednim narzędziem pracuje się lepiej i bezpieczniej w podanym zakresie sprawności.
- b) **Nie należy używać elektronarzędzia, którego włącznik/wyłącznik jest uszkodzony.** Elektronarzędzie, którego nie można włączyć lub wyłączyć jest niebezpieczne i musi zostać naprawione.
- c) **Przed regulacją urządzenia, wymianą osprzętu lub po zaprzestaniu pracy narzędziem, należy wyciągnąć wtyczkę z gniazda i/lub usunąć akumulator.** Ten środek ostrożności zapobiegnie niezamierzonemu włączeniu się urządzenia.
- d) **Nie używane elektronarzędzia należy przechowywać poza zasięgiem dzieci. Nie należy udostępniać narzędzia osobom, które jego nie umieją lub nie przeczytały tych przepisów.** Używane przez niedoświadczonych osoby elektronarzędzia są niebezpieczne.
- e) **Urządzenie należy starannie konserwować. Należy kontrolować, czy ruchome części urządzenia funkcjonują bez zarzutu i nie są zablokowane, czy części nie są pęknięte lub uszkodzone, co mogłoby mieć wpływ na prawidłowe funkcjonowanie urządzenia. Uszkodzone narzędzie należy przed użyciem urządzenia oddać do naprawy.** Wiele wypadków spowodowanych jest przez niewłaściwą konserwację elektronarzędzi.
- f) **Osprzęt tnący należy utrzymywać ostry i czysty.** Starannie pielęgnowany osprzęt tnący z ostrymi krawędziami tnącymi blokuje się rzadziej i łatwiej się używa.
- g) **Elektronarzędzia, osprzęt, narzędzia itd. należy używać odpowiednio do tych przepisów. Uwzględnić należy przy tym warunki pracy i czynności do wykonania.** Użycie elektronarzędzi do innych niż przewidziane prace może doprowadzić do niebezpiecznych sytuacji.
- 5) SERWIS**
- a) **Naprawę urządzenia należy zlecić jedynie kwalifikowanemu fachowcowi i przy użyciu oryginalnych części zamiennych.** To gwarantuje, że bezpieczeństwo użytkownika zostanie zachowane.

PRZEPISY BEZPIECZEŃSTWA SZLIFIEREK

- Uwaga na gwoździe, śruby i inne twarde przedmioty; przed przystąpieniem do obróbki powinny być usunięte z obrabianego przedmiotu; usunąć je przed rozpoczęciem pracy
- Kabel zasilający powinien stale znajdować się w bezpiecznej odległości od wirującej części elektronarzędzia; kabel zasilający zawsze prowadzić z tyłu elektronarzędzia
- **Należy zabezpieczyć miejsce przeznaczone do zszycia** (miejsce przeznaczone do zszycia umieszczone w zaciskach lub imadle jest utrzymywane w miejscu bezpieczniej niż w ręku)
- Przed pozostawieniem elektronarzędzia należy odłączyć zasilanie elektryczne i odczekać do całkowitego zatrzymania się wrzeciona
- W przypadku korzystania z kabla przedłużającego należy zwrócić uwagę, aby był maksymalnie nawinięty na bęben oraz był przystosowany do przewodzenia prądu o natężeniu przynajmniej 16 A
- W przypadku wadliwego działania mechanicznych lub elektrycznych elementów urządzenia, należy bezzwrotnie odłączyć narzędzie i wyjąć wtyczkę
- SKIL może zagwarantować bezawaryjne działanie narzędzia tylko przy korzystaniu z odpowiedniego wyposażenia dodatkowego, dostępnego u dystrybutorów produktów SKIL
- Narzędzie nie powinno używać dzieci poniżej 16 roku życia
- Poziom hałas podczas pracy może przekraczać 85 dB(A); używać nasłuchni do ochrony słuchu
- **Elektronarzędzie należy dotykać jedynie przy izolowanych powierzchniach uchwytu, ponieważ taśma może dotknąć własnego przewodu** (przecięcie przewodów pod napięciem może spowodować porażenie operatora prądem)
- W przypadku uszkodzenia lub przecięcia przewodu podczas pracy, nie wolno go dotykać, tylko należy natychmiast wyciągnąć z gniazdka wtyczkę
- Pod żadnym pozorem nie wolno korzystać z narzędzia z uszkodzonym przewodem; zleć jego wymianę wykwalifikowanej osobie
- Każdorazowo sprawdzać, czy napięcie zasilania jest zgodne z napięciem podanym na tabliczce znamionowej urządzenia (narzędzia na napięcie znamionowe 230V lub 240V zasilane można także napięciem 220V)
- Elektronarzędzie nie jest przystosowane do szlifowania na mokro
- **Nie należy obrabiać materiału zawierającego azbest** (azbest jest rakotwórczy)
- Pył pochodzący z takich materiałów, jak farby zawierające ołów, niektóre gatunki drzewa, minerały i metal może być szkodliwy (kontakt z nim lub wdychanie takiego pyłu może powodować reakcje alergiczne i/lub niewydolność oddechową u operatora lub osób towarzyszących); **należy zakładać maskę przeciwpyłową i pracować z urządzeniem odsysającym, jeżeli można je podłączyć**

- Niektóre rodzaje pyłu są zaklasyfikowane jako rakotwórcze (takie, jak pył dębu i buka) szczególnie w połączeniu z dodatkami do kondycjonowania drewna; **należy zakładać maskę przeciwpyłową i pracować z urządzeniem odsysającym pył, jeżeli można je podłączyć**
- Należy stosować się do lokalnych wymogów dotyczących pracy w otoczeniu pyłu powstającego podczas obróbki materiału
- Przy szlifowaniu metalu występuje iskrzenie; nie wolno wtedy korzystać z worków na pył/odkurzacza a z obszaru pracy należy usunąć wszelkie materiały palne i zabronić tam wstępu osobom trzecim
- Nie wolno dotykać poruszającej się taśmy ścierniej
- Nie należy korzystać ze zużytych podartych albo mocno zapchanych taśm ściernych
- Do pracy należy nosić dopasowane ubranie, nakrycie głowy (w przypadku długich włosów) oraz korzystać z rękawic i okularów ochronnych
- **Przed przystąpieniem do wykonywania jakichkolwiek czynności przy narzędziu, w czasie przerw w pracy jak również po jej zakończeniu wyjąć wtyczkę z gniazda sieciowego**

UŻYTKOWANIE

- Włącznik/wyłącznik
 - elektronarzędzie włączane/wyłączane jest poprzez wciśnięcie/zwolnienie włącznika/wyłącznika A ②
 - ! **przed przystawieniem taśmy ścierniej do powierzchni obrabianego przedmiotu należy uprzednio uruchomić elektronarzędzie**
 - ! **przed wyłączeniem narzędzia należy unieść je ponad obrabiany przedmiot**
- Blokada włącznika dla pracy ciągłej
 - wcisnąć włącznik/wyłącznik A ②
 - kciukiem wcisnąć przycisk B ②
 - zwolnić włącznik/wyłącznik
 - zwalnianie blokady następuje poprzez ponowne wciśnięcie i zwolnienie włącznika/wyłącznika A ②
- Kontrola prędkości ④
 - Zapewnia osiągnięcie optymalnych wyników szlifowania
 - zakres częstotliwości można wybrać przy pomocy pokrętła C
 - częstotliwość robocza musi być dostosowana do granulacji zamocowanego papieru ściernego
 - przed przystąpieniem do obróbki sprawdzić poprawność doboru częstotliwości dokonując próbnego szlifowania
- Wymiana taśm ściernych ⑤
 - ! **wyjąć wtyk z gniazda sieciowego**
 - odchylić dźwignię mocującą D
 - wyjąć taśmę szlifierską
 - założyć nową taśmę zwracając uwagę aby strzałka na wewnętrznej stronie taśmy wskazywała ten sam kierunek co i strzałka E na elektronarzędziu
 - odchylić dźwignię w jej pierwotne położenie
 - ! **należy terminowo wymieniać taśmy ściernie**
 - ! **nie należy nigdy łażamywać taśm ściernych**

W przypadku zsunięcia się taśmy z elektronarzędzia (jest to na ogół spowodowane złą jakością taśmy), należy

- włączyć narzędzie
- obracając pokrętło F ② biegu taśmą tak aby nie wybiegała ona poza rolki elektronarzędzia
- jeśli taśma nadal się zsuwał należy ją wymienić na nową
- Odsysanie pyłu ⑥
 - zamocować worek na pył G według rysunku (2 prędkości)
 - w celu zapewnienia optymalnego odpylania należy regularnie opróżniać worka na pył
 - w przypadku używania elektronarzędzia z odkurzaczem, należy zamontować adapter H według rysunku (3 prędkości)
 - ! **nie używać worka na pył/odkurzacza przy szlifowaniu metalu**
- Uchwyt dodatkowy ⑦
 - Użyć dźwigni K do regulacji uchwytu dodatkowy J (2 prędkości)
- Instalowanie ramki szlifierskiej ⑧
 - zamontuj ramę szlifierskiej L do wyrównywania powierzchni bez zadrapań lub wyżłobień, i sprawdzić, czy jest osadzona pewnie na miejscu
 - ! **rama szlifierska L nagrzewa się podczas pracy narzędzia; nie należy jej dotykać przed ostygnięciem**
 - ! **wyjąć ramę szlifierskiej L przy składowaniu narzędzia**
- Utrzymywanie i prowadzenie narzędzia ⑨
 - elektronarzędzie prowadzić równoległe do powierzchni obrabianego przedmiotu
 - ! **podczas pracy zawsze trzymać narzędzie za uchwyt(y) ograniczone szarym kolorem**
 - ! **nie wywierać zbyt dużego nacisku na elektronarzędzie; pozwólmy maszynie pracować za nas**
 - nie należy przechylać elektronarzędzia dzięki czemu unikniemy wyszlifowywania niepożądanych zagłębień
 - szczeliny wentylacyjne N ② powinny być odkryte

WSKAZÓWKI UŻYTKOWANIA

- W celu oszlifowania surowej powierzchni drewnianej elektronarzędzie prowadzić prostoliniowo! wzdłuż stojów
- Przy obróbce innego rodzaju powierzchni elektronarzędzie prowadzić ruchami owalnymi
- Do pracy stacjonarnej należy przymocować elektronarzędzie do stołu warsztatowego za pomocą 2 zacisków M
- ! **zamocować worek na pył G według rysunku**
- ! **zamontować adapter H według rysunku**
- Nie należy nigdy korzystać z tej samej taśmy do szlifowania drewna i metalu

Ленточная шлифовальная машина 7660

ВВЕДЕНИЕ

- Этот инструмент предназначен для сухой шлифовки с высокой степенью выполнения, обработки древесины, пластмасс, металлов, наполнителей и окрашенных поверхностей
- Прочитайте и сохраните с данной инструкцией ③

ТЕХНИЧЕСКИЕ ДАННЫЕ ①

ДЕТАЛИ ИНСТРУМЕНТА ②

- A Выключатель вкл/выкл
- B Фиксатор выключателя
- C Регулировочное колёсико для выбора скорости
- D Рычаг для замены шлифовальной ленты
- E Стрелка
- F Кнопка для центрирования ленты
- G Пылесборный мешок
- H Адаптер пылесоса
- J Вспомогательная ручка
- K Рычаг для регулирования вспомогательную ручку
- L Шлифовальная рама
- M Струбцины для фиксации инструмента на верстаке
- N Вентиляционные отверстия

БЕЗОПАСНОСТЬ

ОСНОВНЫЕ ИНСТРУКЦИИ ПО ТЕХНИКЕ БЕЗОПАСНОСТИ

⚠ ВНИМАНИЕ! Прочтите все указания и инструкции по технике безопасности. Упущения, допущенные при соблюдении указаний и инструкций по технике безопасности, могут стать причиной электрического поражения, пожара и тяжелых травм. **Сохраняйте эти инструкции и указания для будущего использования.** Использованное в настоящих инструкциях и указаниях понятие “электроинструмент” распространяется на электроинструмент с питанием от сети (с кабелем питания от электросети) и на аккумуляторный электроинструмент (без кабеля питания от электросети).

1) БЕЗОПАСНОСТЬ РАБОЧЕГО МЕСТА

- a) **Соблюдайте чистоту и поддерживайте надлежащую освещенность на рабочем месте.** Беспорядок на рабочем месте или его плохое освещение могут привести к несчастным случаям.

- **Поziom wibracji**
Poziom emisji wibracji podany na końcu tej instrukcji został zmierzony zgodnie z testem standaryzowanym podanym w EN 60745; może służyć do porównania jednego narzędzia z innym i jako ocena wstępna narażenia na wibracje w trakcie używania narzędzia do wymienionych zadań
 - używanie narzędzia do innych zadań, lub z innymi albo źle utrzymanymi akcesoriami, może znacząco **zwiększyć** poziom narażenia
 - przypadki, kiedy narzędzie jest wyłączone lub jest czynne, ale aktualnie nie wykonuje zadania, mogą znacząco **zmniejszyć** poziom narażenia
- ! **należy chronić się przed skutkami wibracji przez konserwację narzędzia i jego akcesoriów, zakładanie rękawic i właściwą organizację pracy**

KONSERWACJA / SERWIS

- Zawsze dbać o czystość narzędzia i przewodu zasilającego (a szczególnie otworów wentylacyjnych N ②)
 - usunąć nagromadzony pył posugując się szczotką
- ! **przed przystąpieniem do czyszczenia należy wyjąć wtyk z gniazda sieciowego**
- Jeśli funkcja odsysania pyłu nie działa w odpowiedni sposób, należy otworzyć obudowę P w sposób przedstawiony na rysunku, aby usunąć możliwy nagromadzony pył ①
 - ! **przed przystąpieniem do czyszczenia należy wyjąć wtyk z gniazda sieciowego**
- Jeśli narzędzie, mimo dokładnej i wszechstronnej kontroli produkcyjnej ulegnie kiedykolwiek awarii, naprawę powinien przeprowadzić autoryzowany serwis elektronarzędzi firmy SKIL
 - odesłać **nierozebrany** narzędzie, wraz z dowodem zakupu, do dealera lub do najbliższego punktu usługowego SKIL (adresy oraz diagram serwisowy narzędzenia znajdują się na stronach www.skileurope.com)

ŚRODOWISKO

- **Nie wyrzucaj elektronarzędzi, akcesoriów i opakowania wraz z odpadami z gospodarstwa domowego** (dotyczy tylko państw UE)
 - zgodnie z Europejską Dyrektywą 2002/96/WE w sprawie zużytego sprzętu elektrotechnicznego i elektronicznego oraz dostosowaniem jej do prawa krajowego, zużyte elektronarzędzia należy posegregować i zutylizować w sposób przyjazny dla środowiska
 - w przypadku potrzeby pozbycia się narzędzia, akcesoriów i opakowania - symbol ⑫ przypomni Ci o tym

- b) **Не используйте с электроинструментом во взрывоопасной среде, т.е. в непосредственной близости от легковоспламеняющихся жидкостей, газов или пыли.** В процессе работы электроинструмент искрит и искры могут воспламенить газы или пыль.
- c) **При работе с электроинструментом не допускайте детей или посторонних на Ваше рабочее место.** Отвлечение Вашего внимания может привести к потере контроля над работой инструмента.
- 2) ЭЛЕКТРИЧЕСКАЯ БЕЗОПАСНОСТЬ**
- a) **Штепсельная вилка кабеля питания электроинструмента должна соответствовать розетке электросети. Не вносите никаких изменений в конструкцию вилки. Не используйте адаптеры для электроинструмента с защитным заземлением.** Заводские штепсельные вилки и соответствующие им сетевые розетки существенно снижают вероятность электрошока.
- b) **Избегайте механических контактов с такими заземленными поверхностями, как трубопроводы, системы отопления, плиты и холодильники.** При соприкосновении человека с заземленными предметами во время работы инструментом вероятность электрошока существенно возрастает.
- c) **Оберегайте электроинструмент от воздействия дождя и влаги.** Попадание воды в электроинструмент повышает вероятность электрического удара.
- d) **Используйте кабель строго по назначению. Не допускайте тянуть и передвигать электроинструмент за кабель или использовать кабель для вытягивания вилки из розетки. Оберегайте кабель инструмента от воздействия высоких температур, масла, острых кромок или движущихся частей электроинструмента.** Поврежденный или спутанный кабель повышает возможность электрического удара.
- e) **При работе на улице используйте удлинитель, предназначенный для работы вне помещения.** Использование такого удлинителя снижает вероятность электрического удара.
- f) **Если невозможно избежать применения электроинструмента в сыром помещении, то устанавливайте устройство защиты от утечки в землю.** Использование устройства защиты от утечки в землю снижает риск электрического поражения.
- 3) ЛИЧНАЯ БЕЗОПАСНОСТЬ**
- a) **Будьте внимательны, следите за тем, что Вы делаете и выполняйте работу обдуманно. Не пользуйтесь электроинструментом, если Вы устали или находитесь под воздействием транквилизаторов, алкоголя или медицинских препаратов.** Секундная потеря концентрации в работе с электроинструментом может привести к серьезным травмам.
- b) **Используйте средства индивидуальной защиты. Защитные очки обязательны.** Средства индивидуальной защиты, такие как противопылевой респиратор, несколькозаящая защитная обувь, шлем-каска, средства защиты органов слуха применяются в соответствующих условиях работы обстоятельствах и минимизируют возможность получения травм.
- c) **Предотвращайте непреднамеренное включение электроинструмента. Перед подключением электроинструмента к электропитанию и/или к аккумулятору убедитесь в выключенном состоянии электроинструмента.** Если Вы при транспортировке электроинструмента держите палец на выключателе или включенный электроинструмент подключаете к сети питания, то это может привести к несчастному случаю.
- d) **Во избежание травм перед включением инструмента удалите регулировочный или гаечный ключ из вращающейся части инструмента.**
- e) **Не переоценивайте свои возможности. Твердо стойте на ногах и удерживайте равновесие.** В таком положении Вы сможете лучше контролировать инструмент в неожиданных ситуациях.
- f) **Используйте подходящую рабочую одежду. Не надевайте свободную одежду и украшения. Волосы, одежда и перчатки должны находиться подальше от движущихся частей электроинструмента.** Свободная одежда, украшения или длинные волосы легко могут попасть в движущиеся части электроинструмента.
- g) **При наличии пылеотсасывающих и пылесборных приспособлений убедитесь в том, что они подсоединены и используются надлежащим образом.** Применение пылеотсоса может снизить опасность, создаваемые пылью.
- 4) ЭКСПЛУАТАЦИЯ И УХОД ЗА ЭЛЕКТРОИНСТРУМЕНТОМ**
- a) **Не перегружайте инструмент. Используйте тот инструмент, который предназначен для данной работы.** С подходящим инструментом Вы выполните работу лучше и надежней, используя весь диапазон его возможностей.
- b) **Не используйте инструмент с неисправным выключателем.** Инструмент с неисправным выключателем опасен и подлежит ремонту.
- c) **До начала наладки электроинструмента, замены принадлежностей или прекращения работы отключайте штепсельную вилку от розетки сети и/или выньте аккумулятор.** Данная мера предосторожности предотвращает случайное включение инструмента.

- d) **Храните неиспользуемый электроинструмент в недоступном для детей месте и не позволяйте использовать его лицам, не умеющим с ним обращаться или не ознакомленным с инструкцией по эксплуатации.**
Электроинструменты представляют собой опасность в руках неопытных пользователей.
- e) **Электроинструмент требует надлежащего ухода. Проверьте безупречность функции подвижных частей, лёгкость их хода, целостность всех частей и отсутствие повреждений, которые могут негативно сказаться на работе инструмента. При обнаружении повреждений сдайте инструмент в ремонт.**
Большое число несчастных случаев связано с неудовлетворительным уходом за электроинструментом.
- f) **Режущие части инструмента необходимо поддерживать в заточенном и чистом состоянии.**
При надлежащем уходе за режущими принадлежностями с острыми кромками они режут заклиниваются и инструмент лучше поддаётся контролю.
- g) **Используйте электроинструмент, принадлежности, биты и т.д. в соответствии с данными инструкциями, исходя из особенностей условий и характера выполняемой работы.**
Использование электроинструмента не по назначению может привести к опасным последствиям.

5) СЕРВИСНОЕ ОБСЛУЖИВАНИЕ

- a) **Передавайте инструмент на сервисное обслуживание только квалифицированному персоналу, использующему только подлинные запасные части.** Это обеспечит сохранение безопасности электроинструмента.

УКАЗАНИЯ ПО БЕЗОПАСНОСТИ ДЛЯ ШЛИФОВАЛЬНЫХ МАШИН

- Избегайте повреждений, которые могут быть вызваны винтами, гвоздями и прочими элементами, находящимися в обрабатываемом предмете; перед началом работы их нужно удалить
- Следите за тем, чтобы сетевой шнур не находился рядом с движущимися деталями инструмента; нужно всегда направлять электрический шнур к задней части инструмента, исключая его захват инструментом
- **Закрепите обрабатываемую деталь** (обрабатываемая деталь, зафиксированная посредством зажимных устройств или тисков, закрепляется лучше, нежели при помощи рук)
- Перед тем как положить инструмент, выключите двигатель и убедитесь в том, что все движущиеся детали полностью остановились
- Используйте полностью размотанные и безопасные удлинители, рассчитанные на ток не менее 16 А

- В случае любой электрической или механической неисправности немедленно выключите инструмент и выньте вилку из розетки
- SKIL обеспечивает надёжную работу инструмента только при использовании соответствующей оснастки, которую можно приобрести у Вашего дилера фирмы SKIL
- Инструмент нельзя использовать лицам в возрасте до 16 лет
- Поскольку уровень шума при работе данного инструмента может превышать 80 dB(A); всегда используйте защиту для ушей
- **Держите электроинструмент за изолированные поверхности рукояток, т.к. лента может соприкоснуться со шнуром** (перерезание провода под напряжением может вызвать подачу напряжения на открытые металлические части электроинструмента и привести к поражению оператора электрическим током)
- При повреждении или разрезании сетевого шнура во время работы не прикасайтесь к нему, и немедленно выньте вилку из розетки
- Никогда не используйте инструмент, если сетевой шнур повреждён; необходимо, чтобы квалифицированный специалист заменил сетевой шнур
- Обязательно убедитесь, что напряжение питания соответствует напряжению, указанному на фирменном штепселе инструмента (инструменты, рассчитанные на напряжение 230 В или 240 В, можно подключать к питанию 220 В)
- Данный инструмент не подходит для шлифования влажных поверхностей
- **Не обрабатывайте материалы с содержанием асбеста** (асбест считается канцерогеном)
- Пыль от таких материалов, как свинцовосодержащая краска, некоторые породы дерева, минералы и металл, может быть вредна (контакт с такой пылью или ее вдыхание может стать причиной возникновения у оператора или находящихся рядом лиц аллергических реакций /или респираторных заболеваний); **надевайте респиратор и работайте с пылеудаляющим устройством при включении инструмента**
- Некоторые виды пыли классифицируются как канцерогенные (например, дубовая или буковая пыль), особенно в сочетании с добавками для кондиционирования древесины; **надевайте респиратор и работайте с пылеудаляющим устройством при включении инструмента**
- Следуйте принятым в вашей стране требованиям/нормативам относительно пыли для тех материалов, с которыми вы собираетесь работать
- При обработке металлической поверхности наблюдается искрение; не следует использовать пылесборный мешок/пылесос, а также нельзя донусать в рабочую зону посторонних людей и воспламеняемые материалы

- Не следует прикасаться к движущейся шлифовальной ленте
- Не следует использовать изношенную, порванную или сильно загрязнённую шлифовальную ленту
- Необходимо носить защитные перчатки, защитные очки, плотно прилегающую одежду и защиту для волос (для длинных волос)
- **Перед регулировкой или сменой принадлежностей обязательно выньте вилку из сетевой розетки**

ИСПОЛЬЗОВАНИЕ

- Переключатель “Включено/Выключено”
 - включение/отключение инструмента производится нажатием/отпуском курка выключателя А ②
 - ! **инструмент следует включить до того момента, когда шлифовальная поверхность достигнет обрабатываемого изделия**
 - ! **перед тем как выключить инструмент, его следует поднять над обрабатываемым изделием**
 - Запирание выключателя для продолжительного использования
 - нажмите на курок выключателя А ②
 - нажмите на кнопку В ② большим пальцем
 - отпустите курок выключателя
 - снимите блокировку, нажав снова на курок выключателя А ② и отпустив его
 - Регулятор скорости ④
 - Для получения оптимального результата после шлифовки различных материалов
 - с помощью колесика С Вы можете установить желаемую скорость шлифования
 - согласуйте скорость с размером используемого зерна
 - перед началом работы определите оптимальную скорость и зернистость, проверяя работу на запасных кусках материала
 - Замена шлифовальных лент ⑤
 - ! **разъединить штепсельный разъём**
 - поднять рычаг D
 - снять шлифовальную ленту
 - установить новую ленту, причем стрелки, нанесенные на внутреннюю поверхность ленты, должны указывать то же направление, что и стрелка E на инструменте
 - спустить рычаг
 - ! **необходимо своевременно заменять шлифовальные ленты**
 - ! **никогда не следует сгибать шлифовальные ленты**
- В случае сбегающей шлифовальной ленты с инструмента (обычно происходит при использовании шлифовальных лент низкого качества) нужно сделать следующее:
- включите инструмент

- поверните кнопку F ② параллельность шлифовальной ленты к плоской стороне инструмента
- если шлифовальная лента по-прежнему сбегаем с инструмента, нужно заменить её новой лентой
- Отсасывание пыли ⑥
 - установите пылесборный мешок G как показано (2 положений)
 - опустошайте пылесборный мешок регулярно для обеспечения оптимального отсоса пыли
 - когда используете инструмент вместе с пылесосом, установите адаптер для подсоединения пылесоса H как показано (3 положений)
- ! **не используйте пылесборный мешок/пылесос при шлифовке металла**
- Вспомогательная ручка ⑦
 - Используйте рычаг K для регулирования вспомогательная ручку J (2 положений)
- Установка шлифовальной рамки ⑧
 - установите шлифовальную рамку L для шлифования поверхностей без царапин или дефектов, и убедитесь, что она надежно закрыта
 - ! **шлифовальная рамка L нагревается во время работы; не дотрагивайтесь до неё, пока она не остынет**
 - ! **снимите шлифовальную рамку L на время хранения инструмента**
- Удержание и направление инструмента ⑨
 - вести инструмент параллельно рабочей поверхности
 - ! **во время работы, всегда держите инструмент за места правильного хвата, которые обозначены серым цветом**
 - ! **не прикладывайте излишнего давления на инструмент; позволить шлифовальной поверхности работать за вас**
 - не наклоняйте инструмент во избежание появления нежелательных глубоких царапин
 - содержите вентиляционные отверстия N ② не закрытыми

СОВЕТЫ ПО ИСПОЛЬЗОВАНИЮ

- При шлифовании открытых поверхностей древесины следует выполнять инструментом прямые движения по направлению волокна
- При шлифовании всех других поверхностей следует выполнять инструментом овальные движения по материалу
- Для использования в стационарном положении следует зафиксировать инструмент на верстаке с помощью 2 зажимов M
 - ! **установите пылесборный мешок G как показано**
 - ! **установите адаптер для подсоединения пылесоса H как показано**
- Никогда не следует использовать одну и ту же шлифовальную ленту для обработки металлической и деревянной поверхностей

- Уровень вибрации
Уровень вибрации, указанный в конце данного руководства по эксплуатации, был измерен в соответствии со стандартизированным испытанием, содержащимся в EN 60745; данная характеристика может использоваться для сравнения одного инструмента с другим, а также для предварительной оценки воздействия вибрации при использовании данного инструмента для указанных целей
- при использовании инструмента в других целях или с другими/неисправными вспомогательными приспособлениями уровень воздействия вибрации может значительно **повышаться**
- в периоды, когда инструмент отключен или функционирует без фактического выполнения работы, уровень воздействия вибрации может значительно **снижаться**
- ! **защищайте себя от воздействия вибрации, поддерживая инструмент и его вспомогательные приспособления в исправном состоянии, поддерживая руки в тепле, а также правильно организовав свой рабочий процесс**

ТЕХОБСЛУЖИВАНИЕ / СЕРВИС

- Всегда содержите инструмент и его шнур в чистоте (особенно вентиляционные отверстия N ②)
 - счистить прилипший материал обработки с инструмента с помощью щётки
- ! **перед чисткой инструмента выньте вилку из розетки**
- При нарушении отсасывания пыли откройте часть корпуса P, как показано на рисунке, и удалите скопление шлифовальной пыли ①
- ! **перед чисткой инструмента выньте вилку из розетки**
- Если инструмент, несмотря на тщательные методы изготовления и испытания, выйдет из строя, то ремонт следует производить силами авторизованной сервисной мастерской для электроинструментов фирмы SKIL
 - отправьте **неразобранный** инструмент со свидетельством покупки Вашему дилеру или в ближайшую станцию обслуживания фирмы SKIL (адреса и схема обслуживания инструмента приведены в вебсайте www.skileurope.com)

ОХРАНА ОКРУЖАЮЩЕЙ СРЕДЫ

- **Не выкидывайте электроинструмент, принадлежности и упаковку вместе с бытовым мусором** (только для стран ЕС)

- во исполнение европейской директивы 2002/96/ЕС об утилизации отслужившего свой срок электрического и электронного оборудования и в соответствии с действующим законодательством, утилизация электроинструментов производится отдельно от других отходов на предприятиях, соответствующих условиям экологической безопасности
- значок ⑫ напомнит Вам об этом, когда появится необходимость сдать электроинструмент на утилизацию

UA

Стрічковий шліфувальний верстат 7660

ВСТУП

- Цей інструмент призначений для сухого шліфування дерева, забарвлених поверхонь, пластиків і фарбованих поверхонь
- Прочитайте і збережіть цю Інструкцію з експлуатації ③

ТЕХНІЧНІ ДАНІ ①

ЕЛЕМЕНТИ ІНСТРУМЕНТА ②

- A Вимикач живлення
- B Ручка блокування вимикача
- C Регулятор обертів шліфування
- D Важіль для заміни шліфувальної стрічки
- E Стрілка
- F Ручка для регулювання центрування стрічки
- G Мішок
- H Адаптер пилососу
- J Додаткова ручка
- K Важіль для регулювання додаткова ручки
- L Шліфувальна рамка
- M Затискачі для роботи у нерухомому положенні
- N Вентиляційні отвори

БЕЗПЕКА

ЗАГАЛЬНІ ВКАЗІВКИ З ТЕХНІКИ БЕЗПЕКИ

⚠ УВАГА! Прочитайте всі попередження і вказівки. Недодержання попереджень і вказівок може призводити до удару електричним струмом, пожежі та/або серйозних травм. **Добре зберігайте на майбутнє ці попередження і вказівки.** Під поняттям "електроприлад" в цих попередженнях мається на увазі електроприлад, що працює від мережі (з електрокабелем) або від акумуляторної батареї (без електрокабелю).

1) БЕЗПЕКА НА РОБОЧОМУ МІСЦІ

- a) **Примайте своє робоче місце в чистоті та прибирайте його.** Безлад або погане освітлення на робочому місці можуть призводити до нещасних випадків.
- b) **Не працюйте з приладом у середовищі, де існує небезпека вибуху внаслідок присутності горючих рідин, газів або пилу.** Електроприлади можуть породжувати іскри, від яких може займатися пил або пари.
- c) **Під час працювання з приладом не підпускайте до робочого місця дітей та інших людей.** Ви можете втратити контроль над приладом, якщо Ваша увага буде відвернута.

2) ЕЛЕКТРИЧНА БЕЗПЕКА

- a) **Штепсель приладу повинен пасувати до розетки. Не дозволяється що-небудь міняти в штепселі. Для роботи з приладами, що мають захисне заземлення, не використовуйте адаптери.** Використання оригінального штепселя та належної розетки зменшує ризик удару електричним струмом.
- b) **Уникайте контакту частей тіла із заземленими поверхнями, як напр., трубами, батареями опалення, печами та холодильниками.** Коли Ваше тіло заземлене, існує збільшена небезпека удару електричним струмом.
- c) **Захищайте прилад від дощу та вологі.** Попадання води в електроінструмент збільшує ризик удару електричним струмом.
- d) **Не використовуйте кабель для перенесення приладу, підвішування або витягування штепселя з розетки. Захищайте кабель від жару, олії, гострих країв та деталей приладу, що рухаються.** Пошкоджений або закручений кабель збільшує ризик удару електричним струмом.
- e) **Для зовнішніх робіт обов'язково використовуйте лише такий подовжувач, що допущений для зовнішніх робіт.** Використання подовжувача, що розрахований на зовнішні роботи, зменшує ризик удару електричним струмом.
- f) **Якщо не можна запобігти використанню електроприладу у вологому середовищі, використовуйте пристрій захисту від витоку в землю.** Використання зрестрою захисту від витоку в землю зменшує ризик удару електричним струмом.

3) БЕЗПЕКА ЛЮДЕЙ

- a) **Будьте уважними, слідкуйте за тим, що Ви робите, та розсудливо поведіться під час роботи з електроприладом. Не користуйтеся приладом, якщо Ви стомлені або знаходитесь під дією наркотиків, спиртних напоїв або лік.** Мить неуважності при користуванні приладом може призводити до серйозних травм.

- b) **Вдягайте особисте захисне спорядження та обов'язково вдягайте захисні окуляри.** Вдягання особистого захисного спорядження, як напр., - в залежності від виду робіт - захисної маски, спецвзуття, що не ковзається, каски або навушників, зменшує ризик травм.
 - c) **Уникайте ненавмисного вмикання. Перш ніж вмикати електроприлад в електромережу або встромляти акумуляторну батарею, брати його в руки або переносити, впевніться в тому, що електроприлад вимкнений.** Тримання пальця на вимикальній частині електроприладу або встромляння в розетку увімкненого приладу може призводити до травм.
 - d) **Перед тим, як вмикати прилад, приберіть налагоджувальні інструменти та гайковий ключ.** Знаходження налагоджувального інструмента або ключа в деталі, що обертається, може призводити до травм.
 - e) **Не переоцінюйте себе. Зберігайте стійке положення та завжди зберігайте рівновагу.** Це дозволить Вам краще зберігати контроль над приладом у несподіваних ситуаціях.
 - f) **Вдягайте придатний одяг. Не вдягайте просторий одяг та прикраси. Не підставляйте волосся, одяг та рукавиці близько до деталей приладу, що рухаються.** Просторий одяг, прикраси та довге волосся можуть попадати в деталі, що рухаються.
 - g) **Якщо існує можливість монтувати пиловідсмоктувальні або пилоуловлювальні пристрої, переконайтеся, щоб вони були добре під'єднані та правильно використовувалися.** Використання пиловідсмоктувального пристрою може зменшити небезпеки, зумовлені пилом.
- ## 4) ПРАВИЛЬНЕ ПОВОДАЖЕННЯ ТА КОРИСТУВАННЯ ЕЛЕКТРОПРИЛАДАМИ
- a) **Не перевантажуйте прилад. Використовуйте такий прилад, що спеціально призначений для певної роботи.** З придатним приладом Ви з меншим ризиком отримаєте кращі результати роботи, якщо будете працювати в зазначеному діапазоні потужності.
 - b) **Не користуйтеся приладом з пошкодженим вимикачем.** Прилад, який не можна увімкнути або вимкнути, є небезпечним і його треба відремонтувати.
 - c) **Перед тим, як регулювати що-небудь на приладі, міняти приладдя або ховати прилад, витягніть штепсель із розетки та/або витягніть акумуляторну батарею.** Ці попереджувальні заходи з техніки безпеки зменшують ризик ненавмисного запуску приладу.
 - d) **Зберігайте електроприлади, якими Ви саме не користуєтесь, далеко від дітей. Не дозволяйте користуватися електроприладом особам, що не знайомі з його роботою або не читали ці вказівки.** У разі застосування недосвідченими особами прилади несуть в собі небезпеку.

- e) Старанно доглядайте за приладом. Перевірте, щоб рухомі деталі приладу бездоганно працювали та не заїдали, не були поламаними або настільки пошкодженими, щоб це могло вплинути на функціонування приладу. Пошкоджені деталі треба відремонтувати в авторизованій майстерні, перш ніж ними можна знову користуватися. Велика кількість нещасних випадків спричиняється поганим доглядом за електроприладами.
- f) **Тримайте різальні інструменти добре нагостреними та в чистоті.** Старанно доглянути різальні інструменти з гострим різальним краєм менше застряють та їх легше вести.
- g) **Користуйтеся електроприладами, приладдя до них, робочі інструменти т.і. відповідно до цих вказівок. Беріть до уваги при цьому умови роботи та специфіку виконуваної роботи.** Використання електроприладів для робіт, для яких вони не передбачені, може призводити до небезпечних ситуацій.
- 5) СЕРВІС**
- a) **Віддавайте свій прилад на ремонт лише кваліфікованим фахівцям та лише з використанням оригінальних запчастин.** Це забезпечить безпеку приладу на довгий час.

ПРАВИЛА ТЕХНІКИ БЕЗПЕКИ ДЛЯ ШЛІФВАЛЬНОЇ МАШИНИ

- Не допускайте пошкоджень, які можуть нанести шурупи, цвяхи і інші елементи вашому виробу; видаліть їх перед початком роботи
- Не дозволяйте шнуру живлення стикатися з рухомими частинами інструменту; завжди викладайте шнур за задньою частиною інструменту
- **Зафіксуйте оброблювану деталь** (оброблювана деталь, зафіксована за допомогою затискних пристроїв або лещат, закріплюється краще, ніж вручну)
- Коли ви закінчили роботу з інструментом, вимкніть мотор і переконайтеся, що всі рухомі частини повністю зупинилися
- Використовуйте повністю розгорнений шнур подовжувача, який може витримувати навантаження в 16 Ампер
- У разі електричної або механічної несправності, негайно відключіть інструмент і вимкніть з розетки
- SKIL гарантує надійну роботу інструмента тільки при використанні відповідного приладдя, які можна отримати у Вашого дилера фірми SKIL
- Цей інструмент не можна використовувати особам віком до 16 років
- Рівень шуму при роботі може перевищувати 85 дБ(а); використовуйте навушники

- **Тримайте електричний інструмент за ізольовані рукоятки, тому що стрічка може може зачепити власний шнур живлення** (перерізання дроту під напругою призведе до проходження електричного струму через металеві деталі інструменту та до ураження оператора струмом)
- Якщо шнур пошкоджений або прорізаний при роботі, не доторкайтеся до нього і негайно витягніть його з розетки
- Ніколи не використовуйте інструмент з пошкодженим шнуром; його повинен замінити кваліфікований фахівець
- Перед роботою перевірте відповідність струму в мережі із струмом, позначені на інструменті (інструменти, розраховані на 230В або 240В, також можуть підключатися до мережі 220В)
- Цей інструмент не підходить для мокрої шліфовки
- **Не обробляйте матеріали, що містять асбест** (асбест вважається канцерогенним)
- Пил від таких матеріалів, як свинцовоутримуюча фарба, деякі породи дерева, мінерали й метал, може бути шкідливим (контакт із таким пилом або його вдихання може стати причиною виникнення в оператора або осіб, що перебувають поруч, алергійних реакцій і/або респіраторних захворювань); **надягайте респіратор і працюйте з пиловидальючим пристроєм під час увімкнення інструмента**
- Деякі види пилу класифікуються як канцерогенні (наприклад, дубовий або буковий пил), особливо в сполученні з добавками для кондиціонування деревини; **надягайте респіратор і працюйте з пиловидальючим пристроєм під час увімкнення інструмента**
- Слідуйте інструкціям по роботі з матеріалами, продуцуючими пил
- При обробці металу можуть з'являтися іскри; не використовуйте мішок/пилосос і видаліть займість матеріали з робочої зони
- Не торкайтеся рухомої шліфувальної стрічки
- Не використовуйте зношені, порвані або засмічені шліфувальні стрічки
- Надягайте захисні рукавички, окуляри безпеки, щільно облягаючий одяг і захисну шапочку (для довгого волосся)
- **Перед регулюванням або заміною приладдя обов'язково виийміть вилку із сітьової розетки**

ВИКОРИСТАННЯ

- Вимикач
 - інструмент вмикається/вимикається натисканням/відтисканням гачка А ②
- ! **перш ніж прикласти робочу поверхню до виробу потрібно включити інструмент**
- ! **перш ніж вимкнути інструмент, його треба відвести від оброблюваного виробу**
- Блокування вимикача для тривалої роботи
 - потягнути за гачок А ②

- натиснути на ручку В ② великим пальцем
- відпустити гачок
- розблокувати вимикач, знову потягнувши за гачок А ② і відпустивши його
- Регулятор швидкості ④
Для оптимального результату шліфування різних матеріалів
 - за допомогою регулятора С можна встановити потрібну швидкість шліфування
 - відрегулювати швидкість відповідно до розміру використовуваного наждачного паперу
 - перед початком роботи визначте оптимальну швидкість і потрібний наждачний папір шляхом випробування на непотрібному матеріалі
- Заміна шліфувальної стрічки ⑤
! вийняти вилку з розетки
 - підняти важіль D
 - зняти шліфувальну стрічку
 - вставити нову стрічку таким чином, щоб стрічки, нанесені з внутрішнього боку, вказували у тому самому напрямку, що й стрічка Е на інструменті
 - опустити важіль**! завжди вчасно замінюйте шліфувальну стрічку**
! ніколи не складайте шліфувальні стрічки
 У випадку, якщо стрічка зійде з інструмента (найчастіше пояснюється поганою якістю стрічки), слід
 - увімкніть інструмент
 - повертайте ручку F ②, поки шліфувальна стрічка рухається паралельно до плоского боку інструмента
 - якщо стрічка й надалі сходить з інструмента, встановити нову стрічку
- Пиловловлювання ⑥
 - встановіть мішок G так, як показано на малюнку (2 положень)
 - регулярно спорожняйте мішок для оптимального засмокування пилу
 - коли працюєте інструментом з пилевсмоктувачем, встановіть адаптер для пилевсмоктувача H так, як показано на малюнку (3 положень)**! не використовуйте мішок/пилосос при шліфуванні металу**
- Додаткова ручка ⑦
Важеля K виконуйте для регулювання додаткова ручки J (2 положень)
- Установка шліфувальної рамки ⑧
 - встановіть шліфувальна рамка L для вирівнювання поверхонь без подряпин та жолобків, та переконайтеся в тому, що вона надійно встановлена**! під час роботи шліфувальна рамка розігрівається; не доторкайтесь до неї поки вона не охолоне**
! видаліть шліфувальна рамка L перед зберіганням інструмента

- Утримування і робота інструментом ⑨
 - направляйте інструмент паралельно робочій поверхні**! під час роботи, завжди тримайте інструмент за частини захвату сірого кольору**
! не прикладайте до інструменту дуже великий тиск
 - не нахилийте інструмент, щоб уникати небажаних ділянок
 - тримайте вентиляційні отвори N ② незакритими

ПОРАДИ ПО ВИКОРИСТАННЮ

- Для шліфування необроблених дерев'яних поверхонь проводьте інструментом рівними рухами вздовж волокон
- Для шліфування усіх інших поверхонь проводьте інструментом овальними рухами по матеріалу
- Для роботи у нерухомому положенні встановіть інструмент на верстат за допомогою 2 затискачі M
! встановіть мішок G так, як показано на малюнку
! встановіть адаптер для пилевсмоктувача H так, як показано на малюнку
- Ніколи не використовуйте одну і ту саму шліфувальну стрічку для дерева та металу
- Рівень вібрації
Рівень вібрації, зазначений в кінці даного посібника з експлуатації, було виміряно у відповідності зі стандартизованим випробуванням, що міститься в EN 60745; дана характеристика може використовуватися для порівняння одного інструмента з іншим, а також для попередньої оцінки впливу вібрації під час застосування даного інструмента для вказаних цілей
 - при використанні інструмента в інших цілях або з іншими/несправними допоміжними пристосуваннями рівень впливу вібрації може значно **підвищуватися**
 - у періоди, коли інструмент вимкнений або функціонує без фактичного виконання роботи, рівень впливу вібрації може значно **знижуватися****! захищайте себе від впливу вібрації, підтримуючи інструмент і його допоміжні пристосування в справному стані, підтримуючи руки в теплі, а також правильно організовуючи свій робочий процес**

ДОГЛЯД / СЕРВІС

- Завжди тримайте інструмент та його шнур в чистоті (особливо вентиляційні отвори N ②)
 - видаліть налиплий пил щіткою**! перед чистою інструменту необхідно роз'єднати штепсельний роз'єм**
- Якщо всмоктування пилу не відбувається належним чином, відкрийте корпус P, як показано на рисунку, та видаліть пил, що міг накопичитись ⑩
! перед чистою інструменту необхідно роз'єднати штепсельний роз'єм

- Якщо незважаючи на ретельну технологію виготовлення і перевірки інструмент все-таки вийде з ладу, його ремонт дозволяється виконувати лише в авторизованій сервісній майстерні для електроприладів SKIL
- надішліть **нерозібраний** інструмент разом з доказом купівлі до Вашого дилера або до найближчого центру обслуговування SKIL (адреси, а також діаграма обслуговування пристрою, подаються на сайті www.skileurope.com)

ΟΧΟΡΟΝΑ ΗΑΒΚΟΛΙΗΝΗΟΪ ΗΕΡΕΔΙ

- **Не викидайте електроінструмент, належності та упаковування разом зі звичайним сміттям** (тільки для країн ЄС)
 - відповідно до європейської директиви 2002/96/ЄС щодо утилізації старих електричних та електронних приладів, в залежності з місцевим законодавством, електроінструмент, який перебував в експлуатації повинен бути утилізований окремо, безпечним для навколишнього середовища шляхом
 - малюнок 12 нагадає вам про це

GR

Ταινειολειαντήρας

7660

ΕΙΣΑΓΩΓΗ

- Αυτό το εργαλείο προορίζεται για την υπό υψηλή αφαίρεση υλικού ξηρή λείανση ξύλου, πλαστικών, μετάλλων, στόκου και βερνικωμένων επιφανειών
- Διαβάστε και φυλάξτε αυτές τις οδηγίες χρήσεως ③

ΤΕΧΝΙΚΑ ΧΑΡΑΚΤΗΡΙΣΤΙΚΑ ①

ΜΕΡΗ ΤΟΥ ΕΡΓΑΛΕΙΟΥ ②

- A Διακόπτης εκκίνησης/στάσης
- B Κουμπί ασφάλισης του διακόπτη Εκκίνησης/Στάσης
- C Τροχίσκος ρύθμισης ελέγχου ταχύτητας λείανσης
- D Μοχλός αλλαγής σμυριδοταινίας
- E Βέλος
- F Κουμπί ρύθμισης κεντραρίσματος σμυριδοταινίας
- G Σάκκο συλλογής σκόνης
- H Προσαρμοστικό της ηλεκτρικής σκούπας
- J Βοηθητική λαβή
- K Μοχλός ρύθμισης της βοηθητικής λαβής
- L Πλαίσιο λείανσης
- N Σφιγκτήρες για σταθερή θέση
- M Σχισμές αερισμού

ΑΣΦΑΛΕΙΑ

ΓΕΝΙΚΕΣ ΥΠΟΔΕΙΞΕΙΣ ΑΣΦΑΛΕΙΑΣ

⚠️ ΠΡΟΕΙΔΟΠΟΙΗΣΗ! Διαβάστε όλες τις προειδοποιητικές υποδείξεις. Αμέλειες κατά την τήρηση των προειδοποιητικών υποδείξεων μπορεί να προκαλέσουν ηλεκτροπληξία, κίνδυνο πυρκαγιάς ή/και σοβαρούς τραυματισμούς. **Φυλάξτε όλες τις προειδοποιητικές υποδείξεις και οδηγίες για κάθε μελλοντική χρήση.** Ο ορισμός “ηλεκτρικό εργαλείο” που χρησιμοποιείται στις προειδοποιητικές υποδείξεις αναφέρεται σε ηλεκτρικά εργαλεία που τροφοδοτούνται από το ηλεκτρικό δίκτυο (με ηλεκτρικό καλώδιο) καθώς και σε ηλεκτρικά εργαλεία που τροφοδοτούνται από μπαταρία (χωρίς ηλεκτρικό καλώδιο).

1) ΑΣΦΑΛΕΙΑ ΣΤΟ ΧΩΡΟ ΕΡΓΑΣΙΑΣ

- a) Διατηρείτε το χώρο που εργάζεσθε καθαρό και καλά φωτισμένο. Αταξία στο χώρο που εργάζεσθε ή μη φωτισμένες περιοχές εργασίας μπορεί να οδηγήσουν σε ατυχήματα.
- b) Μην εργάζεσθε με το ηλεκτρικό εργαλείο σε περιβάλλον που υπάρχει κίνδυνος έκρηξης, στο οποίο υπάρχουν εύφλεκα υγρά, αέρια ή σκόνη. Τα ηλεκτρικά εργαλεία μπορεί να δημιουργήσουν σπινθηρισμό ο οποίος μπορεί να αναφλέξει τη σκόνη ή τις αναθυμιάσεις.
- c) Όταν χρησιμοποιείτε το ηλεκτρικό εργαλείο κρατάτε τα παιδιά κι άλλα τυχόν πρόσωπα μακριά από το χώρο που εργάζεσθε. Σε περίπτωση που άλλα άτομα αποσπάσουν την προσοχή σας μπορεί να χάσετε τον έλεγχο του μηχανήματος.

2) ΗΛΕΚΤΡΙΚΗ ΑΣΦΑΛΕΙΑ

- a) Το φως του καλωδίου του ηλεκτρικού εργαλείου πρέπει να ταιριάζει στην αντίστοιχη πρίζα. Δεν επιτρέπεται με κανένα τρόπο η μετασκευή του φως. Μη χρησιμοποιείτε προσαρμοστικά φως σε συνδυασμό με ηλεκτρικά εργαλεία συνδεδεμένα με τη γη (γειωμένα). Αθικτα φως και κατάλληλες πρίζες μειώνουν τον κίνδυνο ηλεκτροπληξίας.
- b) Αποφεύγετε την επαφή του σώματος σας με γειωμένες επιφάνειες όπως σωλήνες, θερμομαντικά σώματα (καλοριφέρ), κουζίνες και ψυγεία. Όταν το σώμα σας είναι γειωμένο αυξάνεται ο κίνδυνος ηλεκτροπληξίας.
- c) Μην εκθέτετε το ηλεκτρικό εργαλείο στη βροχή ή την υγρασία. Η διείσδυση νερού στο ηλεκτρικό εργαλείο αυξάνει τον κίνδυνο ηλεκτροπληξίας.
- d) Μη χρησιμοποιείτε το καλώδιο για να μεταφέρετε ή ν'αναρτήσετε το ηλεκτρικό εργαλείο ή για να βγάλετε το φως από την πρίζα. Κρατάτε το καλώδιο μακριά από υψηλές θερμοκρασίες, λάδια, κοφτερές ακμές ή κινούμενα εξαρτήματα. Τυχόν χαλασμένα ή μπερδεμένα καλώδια αυξάνουν τον κίνδυνο ηλεκτροπληξίας.

- e) Όταν εργάζεστε με το ηλεκτρικό εργαλείο στο ύπαιθρο χρησιμοποιείτε πάντοτε καλώδια επιμήκυνσης (μπαλαντάζες) που έχουν εγκριθεί για χρήση σε εξωτερικούς χώρους. Η χρήση καλωδίων επιμήκυνσης εγκριμένων για εργασία σε εξωτερικούς χώρους μειώνει τον κίνδυνο ηλεκτροπληξίας.
- f) Όταν η χρήση του ηλεκτρικού εργαλείου σε υγρό περιβάλλον είναι αναπόφευκτη, τότε χρησιμοποιήστε έναν προστατευτικό διακόπτη διαρροής. Η χρήση ενός προστατευτικού διακόπτη διαρροής ελαττώνει τον κίνδυνο ηλεκτροπληξίας.
- 3) ΑΣΦΑΛΕΙΑ ΠΡΟΣΩΠΩΝ**
- a) **Να είστε πάντοτε προσεκτικός/προσεκτική, να δίνετε προσοχή στην εργασία που κάνετε και να χειρίζεστε το ηλεκτρικό εργαλείο με περίσκεψη. Μην κάνετε χρήση του ηλεκτρικού εργαλείου όταν είστε κουρασμένος/κουρασμένη ή όταν βρίσκεστε υπό την επήρση ναρκωτικών, οινοπνεύματος ή φαρμάκων.** Μια στιγμήα απροσεξία κατά το χειρισμό του ηλεκτρικού εργαλείου μπορεί να οδηγήσει σε σοβαρούς τραυματισμούς.
- b) **Φοράτε προστατευτικά ενδύματα και πάντοτε προστατευτικά γυαλιά.** Όταν φοράτε ενδύματα ασφαλείας, ανάλογα με το υπό χρήση ηλεκτρικό εργαλείο, όπως προσωπικά προστασίας από σκόνη, αντιολισθητικά παπούτσια ασφαλείας, κράνη ή ωτασπίδες, μειώνεται ο κίνδυνος τραυματισμών.
- c) **Αποφεύγετε την αθέλητη εκκίνηση. Βεβαιωθείτε ότι το ηλεκτρικό εργαλείο έχει αποζευχτεί πριν το συνδέσετε με το ηλεκτρικό δίκτυο ή/και με την μπαταρία καθώς και πριν το παραλάβετε ή το μεταφέρετε.** Όταν μεταφέρετε το ηλεκτρικό εργαλείο έχοντας το δάχτυλό σας στο διακόπτη ή όταν συνδέσετε το μηχάνημα με την πηγή ρεύματος όταν αυτό είναι ακόμη συζευγμένο, τότε δημιουργείται κίνδυνος τραυματισμών.
- d) **Αφαιρέτε από τα ηλεκτρικά εργαλεία πριν τα θέσετε σε λειτουργία τυχόν συναρμολογημένα χρησιμοποιήσιμα εργαλεία ή κλειδιά.** Ένα εργαλείο ή κλειδί συναρμολογημένο στο περιστρεφόμενο εξάρτημα ενός ηλεκτρικού εργαλείου μπορεί να οδηγήσει σε τραυματισμούς.
- e) **Μην υπερκτιμάτε τον εαυτό σας. Φροντίστε για την ασφαλή στήριξη του σώματος σας και διατηρείτε πάντοτε την ισορροπία σας.** Αυτό σας επιτρέπει τον καλύτερο έλεγχο το ηλεκτρικού εργαλείου σε περιπτώσεις απροσδόκητων καταστάσεων.
- f) **Φοράτε κατάλληλη ενδυμασία εργασίας. Μη φοράτε φαρδιά ενδύματα ή κοσμήματα. Κρατάτε τα μαλλιά σας, τα ενδύματα σας και τα γάντια σας μακριά από τα κινούμενα εξαρτήματα.** Χαλαρή ενδυμασία, κοσμήματα και μακριά μαλλιά μπορεί να εμπλακούν στα κινούμενα εξαρτήματα.
- g) **Αν υπάρχει η δυνατότητα συναρμολόγησης διατάξεων αναρρόφησης ή συλλογής σκόνης, βεβαιωθείτε αν οι διατάξεις αυτές είναι συνδεδεμένες καθώς κι αν χρησιμοποιούνται σωστά.** Η χρήση μιας αναρρόφησης σκόνης μπορεί να ελαττώσει τον κίνδυνο που προκαλείται από τη σκόνη.
- 4) ΧΡΗΣΗ ΚΙ ΕΠΙΜΕΛΗΣ ΧΕΙΡΙΣΜΟΣ ΤΩΝ ΗΛΕΚΤΡΙΚΩΝ ΕΡΓΑΛΕΙΩΝ**
- a) **Μην υπερφορτώνετε το ηλεκτρικό εργαλείο. Χρησιμοποιείτε για την εκάστοτε εργασία σας το ηλεκτρικό εργαλείο που προορίζεται γι'αυτή.** Με το κατάλληλο ηλεκτρικό εργαλείο εργάζεσθε καλύτερα και ασφαλέστερα στην αναφερόμενη περιοχή ισχύος.
- b) **Μη χρησιμοποιήσετε ποτέ ένα ηλεκτρικό εργαλείο του οποίου ο διακόπτης ON/OFF είναι χαλασμένος.** Ένα ηλεκτρικό εργαλείο το οποίο δεν μπορεί να τεθεί πλέον σε ή εκτός λειτουργίας είναι επικίνδυνο και πρέπει να επισκευαστεί.
- c) **Βγάξτε το φις από την πρίζα και/ή αφαιρέστε την μπαταρία πριν διεξάγετε στο εργαλείο μια οποιαδήποτε εργασία ρύθμισης, πριν αλλάξετε ένα εξάρτημα ή όταν πρόκειται να διαφυλάξετε/να αποθηκεύσετε το εργαλείο.** Αυτά τα προληπτικά μέτρα ασφαλείας μειώνουν τον κίνδυνο από τυχόν αθέλητη εκκίνηση του ηλεκτρικού εργαλείου.
- d) **Διαφυλάγετε τα ηλεκτρικά εργαλεία που δε χρησιμοποιείτε μακριά από παιδιά. Μην αφήνετε άτομα που δεν είναι εξοικειωμένα με το ηλεκτρικό εργαλείο ή δεν έχουν διαβάσει αυτές τις οδηγίες χρήσης να το χρησιμοποιήσουν.** Τα ηλεκτρικά εργαλεία είναι επικίνδυνα όταν χρησιμοποιούνται από άπειρα πρόσωπα.
- e) **Να περιποιήστε προσεκτικά το ηλεκτρικό σας εργαλείο και να ελέγχετε, αν τα κινούμενα τμήματα του λειτουργούν άψογα και δεν μπλοκάρουν, ή μήπως έχουν χαλάσει ή σπάσει εξαρτήματα, τα οποία επηρεάζουν έτσι αρνητικά τον τρόπο λειτουργίας του ηλεκτρικού εργαλείου. Δώστε τυχόν χαλασμένα εξαρτήματα του ηλεκτρικού εργαλείου για επισκευή πριν το χρησιμοποιήσετε πάλι.** Η ανεπαρκής συντήρηση των ηλεκτρικών εργαλείων αποτελεί αιτία πολλών ατυχημάτων.
- f) **Διατηρείτε τα κοπτικά εργαλεία κοφτερά και καθαρά.** Τα κοπτικά εργαλεία που συντηρούνται με προσοχή μπορούν να οδηγηθούν εύκολα και να ελεγχθούν καλύτερα.
- g) **Χρησιμοποιείτε τα ηλεκτρικά εργαλεία, τα εξαρτήματα, τα χρησιμοποιήσιμα εργαλεία κτλ. σύμφωνα με τις παρούσες οδηγίες καθώς. Λαμβάνετε ταυτόχρονα υπόψη σας τις συνθήκες εργασίας και την υπό εκτέλεση εργασία.** Η χρήση του ηλεκτρικού εργαλείου για άλλες εκτός από τις προβλεπόμενες εργασίες μπορεί να δημιουργήσει επικίνδυνες καταστάσεις.

5) SERVICE

- a) **Δίνετε το ηλεκτρικό σας εργαλείο για επισκευή από άριστα ειδικευμένο προσωπικό, μόνο με γνήσια ανταλλακτικά.** Ετσι εξασφαλίζεται η διατήρηση της ασφάλειας του ηλεκτρικού εργαλείου.

ΥΠΟΔΕΙΞΕΙΣ ΑΣΦΑΛΕΙΑΣ ΓΙΑ ΤΡΙΒΕΙΑ

- Προφυλάξτε το εργαλείο από τυχόν φθορές από ξένα σώματα (βίδες, καρφιά ή άλλα) που ίσως είναι μέσα στο κομμάτι που θα δουλέψετε - αφαιρέστε τα πριν αρχίσετε την εργασία
- Να κρατάτε πάντα το καλώδιο μακριά από τα κινούμενα μέρη του εργαλείου σας - κρατάτε το καλώδιο προς τα πίσω, μακριά από το εργαλείο
- **Στερεώστε το κομμάτι εργασίας** (το κομμάτι εργασίας συγκρατείται καλύτερα με σφιγκτήρες ή σε μέγγενη παρά με το χέρι)
- Όταν τελειώνετε την δουλειά σας και ακουμπάτε το εργαλείο στο πλάι, κλείστε τον διακόπτη και βεβαιωθείτε ότι όλα τα κινούμενα μέρη του έχουν σταματήσει εντελώς
- Χρησιμοποιείτε ασφαλείς, τελειώς ξετυλιγμένες προεκτάσεις καλωδίου με χωρητικότητα 16 Amps
- Σε περίπτωση ηλεκτρικής ή μηχανικής δυσλειτουργίας, σταματήστε αμέσως το εργαλείο και βγάλτε το από την πρίζα
- Η SKIL εγγυάται την τέλεια λειτουργία του εργαλείου μόνο όταν χρησιμοποιούνται σωστά εξαρτήματα, τα οποία μπορείτε να προμηθευτείτε από το τοπικό κατάστημα διανομής εργαλείων SKIL
- Αυτό το εργαλείο δεν πρέπει να χρησιμοποιείται από άτομα κάτω των 16 ετών
- Η ηχητική στάθμη κατά την εργασία ενδέχεται να ξεπεράσει τα 85 dB(A) - γι' αυτό θα πρέπει να φοράτε προστασία ακοής
- **Κρατήστε το ηλεκτρικό εργαλείο από τις μονωμένες επιφάνειες συγκράτησης, καθώς η ζώνη μπορεί να έρθει σε επαφή με το δικό της καλώδιο** (το κόψιμο ενός ηλεκτροφόρου καλωδίου ενδέχεται να κάνει ηλεκτροφόρα τα προσβάσιμα μεταλλικά μέρη και να προκληθεί ηλεκτροπληξία στον χειριστή)
- Σε περίπτωση που υποστεί βλάβη ή κοπεί το καλώδιο κατά την εργασία, μην αγγίζετε το καλώδιο, αλλά αποσυνδέστε αμέσως το φιν από την πρίζα
- Ποτέ μη χρησιμοποιείτε το εργαλείο όταν έχει υποστεί βλάβη το καλώδιο - το καλώδιο θα πρέπει να αντικατασταθεί από έναν εξειδικευμένο τεχνίτη
- Βεβαιωθείτε ότι η τάση του παρεχόμενου ρεύματος είναι ίδια με την τάση που υποδεικνύεται στην πινακίδα δεδομένων του εργαλείου (εργαλεία που φέρουν την ένδειξη 230V ή 240V μπορούν να συνδεθούν επίσης σε πρίζα 220V)
- Αυτό το εργαλείο δεν είναι κατάλληλο για λείανση με γρήση υγρών
- **Μην κατεργάζεστε υλικά που περιέχουν αμιάντο** (το αμιάντο θεωρείται σαν καρκινογόνο υλικό)

- Η σκόνη από υλικά όπως μογοιές που περιέχουν μόλυβδο, ορισμένα είδη ξύλου, ανόργανα στοιχεία και μέταλλα μπορεί να είναι επιβλαβής (η επαφή ή η εισπνοή της σκόνης μπορεί να προκαλέσει αλλεργικές αντιδράσεις ή/και αναπνευστικές ασθένειες στον χειριστή ή σε άτομα που παρίστανται) - **να φοράτε προσωπίδα προστασίας από τη σκόνη και να εργάζεστε με συσκευή αφαίρεσης σκόνης όταν είναι δυνατό**
- Ορισμένα είδη σκόνης ταξινομούνται ως καρκινογόνα (όπως η σκόνη από τη δρυ ή την οξιά) ιδιαίτερα σε συνδυασμό με πρόσθετα συντήρησης ξύλου - **να φοράτε προσωπίδα προστασίας από τη σκόνη και να εργάζεστε με συσκευή αφαίρεσης σκόνης όταν είναι δυνατό**
- Ακολουθήστε τις σχετικές με σκόνη εθνικές διατάξεις για τα υλικά που θέλετε να εργαστείτε
- Όταν λειανείτε μέταλλα παράγονται σπινθήρες - μη χρησιμοποιείτε το σάκκο συλλογής σκόνης/την ηλεκτρική σκούπα και απομακρύνετε άλλα άτομα και εύφλεκτα υλικά από τον χώρο εργασίας
- Μην έρχεστε σε επαφή με την κινούμενη σμυριδοταινία
- Δεν επιτρέπεται η περαιτέρω χρήση σμυριδοταινιών που έχουν φθαρεί, σχιστεί ή έχουν χάσει τη λειαντική τους ικανότητα
- Φοράτε προστατευτικά γάντια, προστατευτικά γυαλιά, εφαρμοστά ενδύματα και κάλυμμα μαλλιών (για μακριά μαλλιά)
- **Πάντα να αποσυνδέεται την πρίζα από το ηλεκτρικό δίκτυο πριν κάνετε κάποια ρύθμιση ή αλλάξετε εξάρτημα**

ΧΡΗΣΗ

- Διακόπτης Εκκίνησης/Στάσης (ON/OFF)
 - Ξεκινάτε/σταματάτε το εργαλείο σας τραβώντας/απελευθερώνοντας την σκανδάλη A ②
- ! **πρέπει να ξεκινήσετε το εργαλείο πριν η λειαντική επιφάνεια (το γυαλόχαρτο) φθάσει το κομμάτι που κατεργάζεστε**
- ! **προτού σταματήσετε το εργαλείο πρέπει να το ανασηκώσετε από το κατεργαζόμενο κομμάτι**
- Ασφάλιση του διακόπτη για συνεχή λειτουργία
 - τραβήξτε τη σκανδάλη A ②
 - πιέστε το κουμπί B ② με τον αντίχειρα
 - απελευθερώστε τη σκανδάλη
 - απασφαλίζετε το διακόπτη τραβώντας πάλι τη σκανδάλη A ② και μετά απελευθερώνοντας την
- Έλεγχος ταχύτητας ④
 - Για άριστα αποτελέσματα λείανσης διαφόρων υλικών
 - με τον τροχίσκο ρύθμισης C μπορείτε να ορίσετε το επιθυμητό βάθος λείανσης
 - ρυθμίζετε πάντοτε την ταχύτητα ανάλογα με το είδος του γυαλόχαρτου που χρησιμοποιείτε
 - πριν ξεκινήσετε την εργασία σας, βρείτε ποιά είναι η καλύτερη ταχύτητα και το πιό σωστό είδος γυαλόχαρτου δοκιμάζοντας επάνω σε δείγμα του υλικού σας

- Αλλαγή της σμυριδοταινίας ⑤
 - ! **βγάλετε το φιλ από την πρίζα**
 - ανασηκώστε το μοχλό D
 - αφαιρέστε τη σμυριδοταινία
 - τοποθετείστε καινούργια σμυριδοταινία προσέχοντας ώστε τα τόξα που είναι τυπωμένα να είναι ορθά στην ίδια κατεύθυνση με το βέλος E που είναι επάνω στο εργαλείο
 - σπρώξτε πίσω το μοχλό
 - ! **αλλάξτε εγκαίρως τη σμυριδοταινία**
 - ! **ποτέ μη διπλώνετε τη σμυριδοταινία**

Σε περίπτωση που η ταινία γλιστρήσει από το εργαλείο (συνήθως σαν αποτέλεσμα της χρήσης σμυριδοταινίας κατώτερης ποιότητας), θα πρέπει να

 - ενεργοποιηθείτε το εργαλείο
 - γυρίστε το κουμπί F ② μέχρι το σημείο όπου η σμυριδοταινία κινείται σε ευθεία γραμμή με τη πλατεία πλευρά του εργαλείου
 - χρησιμοποιήστε μια νέα ταινία αν η ταινία εξακολουθεί να γλιστράει από το εργαλείο
- Απορρόφηση σκόνης ⑥
 - τοποθετείστε το σάκκο συλλογής σκόνης G όπως δείχνει η εικόνα (2 θέσεις)
 - να αδειάζετε κανονικά το σάκκο για καλύτερη συλλογή της σκόνης
 - όταν χρησιμοποιείτε το εργαλείο σε συνδιασμό με την ηλεκτρική σκούπα, τοποθετείστε το συστ. προσαρμολογής ηλεκτρικής κούπας H όπως δείχνει η εικόνα (3 θέσεις)
 - ! **μη χρησιμοποιείτε το σάκκο συλλογής σκόνης/την ηλεκτρική σκούπα όταν λειανείτε μέταλλα**
- Βοηθητική λαβή ⑦
 - Χρησιμοποιήστε το μοχλό K για να ρυθμίσετε τη βοηθητική λαβή J (2 θέσεις)
- Τοποθέτηση πλαισίου λείανσης ⑧
 - τοποθετήστε το πλαίσιο λείανσης L για να ισοσταθμιστούν οι επιφάνειες χωρίς γρατσουνιές ή αλακώσεις, και βεβαιωθείτε ότι βρίσκεται σωστά στη θέση του
 - ! **το πλαίσιο λείανσης L ζεσταίνεται κατά την χρήση, γι' αυτό μην το αγγίζετε μέχρι να κρυώσει**
 - ! **αφαιρέστε το πλαίσιο λείανσης L προτού αποθηκεύσετε το εργαλείο**
- Πώς να κρατάτε και να οδηγείτε το εργαλείο ⑨
 - οδηγείτε το εργαλείο σας παράλληλα προς την επιφάνεια εργασίας
 - ! **ενώ εργάζεστε, να κρατάτε πάντα το εργαλείο από τη/τις λαβή/ές με γκρι χρώμα**
 - ! **μη εφαρμόζετε υπερβολική πίεση στο εργαλείο - αφήστε την λειαντική επιφάνεια να δουλέψει για σας**
 - μην κινείτε απότομα και μη γέρνετε το εργαλείο για να αποφύγετε σημάδια στη λειανόμενη επιφάνεια
 - κρατάτε τις σχισμές αερισμού N ② ακάλυπτες

ΟΔΗΓΙΕΣ ΕΦΑΡΜΟΓΗΣ

- Για τη λείανση της επιφάνειας γυμνού ξύλου να κινείτε πάντα το εργαλείο σας σε ευθεία με τα νερά του ξύλου
- Για τη λείανση οποιασδήποτε άλλης επιφάνειας να κινείτε το εργαλείο με ορθή κινήσεις πάνω στο υλικό
- Για χρήση του εργαλείου σε σταθερή θέση, στερεώστε το στον πάγκο εργασίας με 2 σφιγκτήρες M
 - ! **τοποθετείστε το σάκκο συλλογής σκόνης G όπως δείχνει η εικόνα**
 - ! **τοποθετείστε το συστ. προσαρμολογής ηλεκτρικής κούπας H όπως δείχνει η εικόνα**
- Ποτέ μην κατεργάζεστε ξύλα και μέταλλα με την ίδια σμυριδοταινία
- Επίπεδο κραδασμών
 - Το επίπεδο παραγωγής κραδασμών που αναγράφεται στο πίσω μέρος του παρόντος εγχειριδίου οδηγίων έχει μετρηθεί σύμφωνα με μια τυποποιημένη δοκιμή που αναφέρεται στο πρότυπο EN 60745 - μπορεί να χρησιμοποιηθεί για τη σύγκριση ενός εργαλείου με ένα άλλο, καθώς και ως προκαταρκτική αξιολόγηση της έκθεσης στους κραδασμούς όταν το εργαλείο χρησιμοποιείται για τις εφαρμογές που αναφέρονται
 - η χρήση του εργαλείου για διαφορετικές εφαρμογές ή με διαφορετικά ή κακοσυντηρημένα εξαρτήματα μπορεί να **αυξήσει** σημαντικά το επίπεδο έκθεσης
 - όταν το εργαλείο είναι απενεργοποιημένο ή δουλεύει αλλά δεν εκτελεί την εργασία, το επίπεδο έκθεσης μπορεί να **μειωθεί** σημαντικά
 - ! **προστατευτείτε από τις επιδράσεις των κραδασμών συντηρώντας σωστά το εργαλείο και τα εξαρτήματά του, διατηρώντας τα χέρια σας ζεστά και οργανώνοντας τον τρόπο εργασίας σας**

ΣΥΝΤΗΡΗΣΗ / SERVICE

- Κρατάτε πάντοτε το εργαλείο και το καλώδιο καθαρά (και ιδιαίτερα τις θυρίδες αερισμού N ②)
 - απομακρύνετε την κολλημένη σκόνη μ' ένα πινέλο
 - ! **αφαιρέστε την πρίζα πριν το καθάρισμα**
- Σε περίπτωση που δεν λειτουργεί καλά η αναρρόφηση σκόνης, μπορείτε να ανοίξετε το περίβλημα P σύμφωνα με την εικόνα και να αφαιρέσετε τυχόν συσσωρευμένη σκόνη λείανσης ⑪
 - ! **αφαιρέστε την πρίζα πριν το καθάρισμα**
- Αν παρ' όλες τις επιμελημένες μεθόδους κατασκευής κι ελέγχου το εργαλείο σταματήσει κάποτε να λειτουργεί, τότε η επισκευή του πρέπει να ανατεθεί σ' ένα εξουσιοδοτημένο συνεργείο για ηλεκτρικά εργαλεία της SKIL
 - στείλτε το εργαλείο **χωρίς να το αποσυναρμολογήσετε** μαζί με την απόδειξη αγοράς στο κατάστημα από το οποίο αγοράσατε ή στον πλησιέστερο σταθμό τεχνικής εξυπηρέτησης της SKIL (θα βρείτε τις διευθύνσεις και το διάγραμμα συντήρησης του εργαλείου στην ιστοσελίδα www.skileurope.com)

ΠΕΡΙΒΑΛΛΟΝ

- Μην πετάτε τα ηλεκτρικά εργαλεία, εξαρτημάτα και συσκευασία στον κάδο οικιακών απορριμμάτων (μόνο για τις χώρες της ΕΕ)
 - σύμφωνα με την ευρωπαϊκή οδηγία 2002/96/EK περί ηλεκτρικών και ηλεκτρονικών συσκευών και την ενσωμάτωσή της στο εθνικό δίκαιο, τα ηλεκτρικά εργαλεία πρέπει να συλλέγονται ξεχωριστά και να επιστρέφονται για ανακύκλωση με τρόπο φιλικό προς το περιβάλλον
 - το σύμβολο 12 θα σας το θυμίσει αυτό όταν έλθει η ώρα να πετάξετε τις

RO

Şlefuitor cu banda

7660

INTRODUCERE

- Această sculă se utilizează pentru şlefuirea uscată, cu performanţe ridicate, a lemnului, plasticului, metalului, chitului şi a suprafeţelor vopsite
- Citiţi şi păstraţi acest manual de instrucţiuni ③

CARACTERISTICI TEHNICE ①

ELEMENTELE SCULEI ②

- A Întrerupător pornit/oprit
- B Buton de blocare a întrerupătorului pornit/oprit
- C Rotilă pentru ajustarea vitezei de şlefuire
- D Manetă pentru schimbarea bandei de şlefuire
- E Şăgeată
- F Buton pentru ajustarea centrării benzii
- G Sacul pentru praf
- H Adaptor aspiratorului
- J Mâner auxiliar
- K Manetă pentru reglarea mânerului auxiliar
- L Rama de şlefuire
- M Cleme pentru aplicaţii fixe
- N Fantele de ventilaţie

PROTECŢIE

INSTRUCŢIUNI DE SIGURANŢĂ GENERALE

⚠ ATENŢIE! Citiţi toate indicaţiile de avertizare şi instrucţiunile. Nerespectarea indicaţiilor de avertizare şi a instrucţiunilor poate provoca electrocutare, incendii şi/sau răni grave. **Păstraţi toate indicaţiile de avertizare şi instrucţiunile în vederea utilizărilor viitoare.** Termenul de “sculă electrică” folosit în indicaţiile de avertizare se referă la sculele electrice alimentate de la reţea (cu cablu de alimentare) şi la sculele electrice cu acumulator (fără cablu de alimentare).

1) SIGURANŢA LA LOCUL DE MUNCĂ

- Păstraţi-vă locul de muncă curat şi bine iluminat.** Dezordinea la locul de muncă sau existenţa unor sectoare de lucru neiluminate poate duce la accidente.
- Nu folosiţi maşina în medii cu pericol de explozie, acolo unde există lichide, gaze sau pulberi inflamabile.** Sculele electrice pot produce scânteii care să aprindă pulberile sau vapori.
- Nu permiteţi accesul copiilor şi al altor persoane în timpul lucrului cu maşina.** Dacă vi se distrage atenţia puteţi pierde controlul asupra maşinii.

2) SECURITATE ELECTRICĂ

- Ştecherul de racordare a maşinii trebuie să se potrivească cu priza de alimentare. Nu este permisă în nici-un caz modificarea ştecherului. Nu folosiţi adaptoare pentru ştechere la maşinile legate la pământ.** Ştecherele nemodificate şi prizele de curent adecvate acestora reduc riscul de electrocutare.
- Evitaţi contactul corporal cu suprafeţe legate la pământ ca ţevi, radiatoare, plite electrice şi frigider.** Există un risc crescut de electrocutare atunci când corpul dv. este şi el legat la pământ.
- Nu lăsaţi maşina afară în ploaie sau în mediu umed.** Riscul de electrocutare creşte atunci când într-o sculă electrică pătrunde apă.
- Nu trageţi niciodată maşina de cordonul de alimentare pentru a o transporta, a o atârna sau a scoate ştecherul din priza de curent. Feriţi cordonul de alimentare de căldură, ulei, muchi ascuţi sau de subansamble aflate în mişcare.** Un cordon de alimentare deteriorat sau înfăşurat măreşte riscul de electrocutare.
- Atunci când lucraţi cu scula electrică în aer liber, folosiţi numai cordoane prelungitoare autorizate pentru exterior.** Întrebuiţarea unui cordon prelungitor adecvat utilizării în aer liber reduce riscul de electrocutare.
- Atunci când nu poate fi evitată utilizarea sculei electrice în mediu umed, folosiţi un întrerupător de circuit cu împământare.** Folosirea unei întrerupător de circuit cu împământare reduce riscul de electrocutare.

3) SECURITATEA PERSOANELOR

- Fiţi vigilenţi, fiţi atenţi la ceea ce faceţi şi procedaţi raţional atunci când lucraţi cu scula electrică. Nu folosiţi maşina dacă sunteţi obosiţi sau vă aflaţi sub influenţa drogurilor, alcoolului sau a medicamentelor.** Un moment de neatenţie în timpul lucrului cu maşina poate duce la răni grave.
- Purtaţi echipament de protecţie personală şi întotdeauna ochelari de protecţie.** Folosirea echipamentelor de protecţie a persoanei ca mască de protecţie împotriva prafului, încălţăminte antiderapantă, cască de protecţie sau aparat de protecţie auditivă, în funcţie de tipul şi domeniul de folosire al sculei electrice, reduce riscul rănilor.

- c) **Evitați o punere în funcțiune involuntară.** Înainte de a introduce ștecherul în priză și/sau de a introduce acumulatorul în scula electrică, de a o ridica sau de a o transporta, asigurați-vă că aceasta este oprită. Dacă atunci când transportați scula electrică țineți degetul pe întrerupător sau dacă porniți scula electrică înainte de a o racorda la rețeaua de curent, puteți provoca accidente.
- d) **Înainte de a pune mașina în funcțiune scoateți afară cheile reglabile și fixe.** O cheie reglabilă sau fixă, aflată într-o componentă de mașină care se rotește, poate provoca răniri.
- e) **Nu vă supraapreciați. Asigurați-vă o poziție stabilă și păstrați-vă întotdeauna echilibrul.** Astfel veți putea controla mai bine mașina în situații neașteptate.
- f) **Purtați îmbrăcăminte de lucru adecvată. Nu purtați haine largi sau podoabe. Țineți părul, îmbrăcămintea și mănușile departe de componente aflate în mișcare.** Îmbrăcămintea largă, podoabele și părul lung pot fi prinse de piesele aflate în mișcare.
- g) **Dacă există posibilitatea montării de echipamente și instalații de aspirare și colectare a prafului, asigurați-vă că acestea sunt conectate și folosite corect.** Folosirea unei instalații de aspirare a prafului poate duce la reducerea poluării cu praf.
- 4) MANEVRĂȚI ȘI FOLOȘIȚI CU GRIJĂ SCULELE ELECTRICE**
- a) **Nu suprasolicitați mașina. Folosiți scula electrică destinată executării lucrării dumneavoastră.** Cu scula electrică potrivită lucrați mai bine și mai sigur în domeniul de putere specificat.
- b) **Nu folosiți scula electrică dacă are întrerupătorul defect.** O sculă electrică, care nu mai poate fi pornită sau oprită este periculoasă și trebuie reparată.
- c) **Scoateți ștecherul afară din priză și/sau îndepărtați acumulatorul, înainte de a executa reglaje, a schimba accesoriul sau de a pune mașina la o parte.** Această măsură preventivă reduce riscul unei porniri involuntare a mașinii.
- d) **În caz de nefolosire păstrați mașinile la loc inaccesibil copiilor. Nu permiteți persoanelor care nu sunt familiarizate cu mașina sau care n-au citit prezentele instrucțiuni, să folosească mașina.** Sculele electrice sunt periculoase atunci când sunt folosite de persoane fără experiență.
- e) **Întrețineți-vă cu grijă mașina. Controlați dacă componentele mobile funcționează corect și dacă nu se blochează, dacă nu există piese defecte sau deteriorate, care să afecteze funcționarea mașinii. Înainte de a repune în funcțiune mașina, duceți-o la un atelier de asistență service pentru repararea sau înlocuirea pieselor deteriorate.** Multe accidente s-au datorat întreținerii defectuoase a sculelor electrice.
- f) **Păstrați accesoriile bine ascuțite și curate.** Accesoriile atent întreținute, cu muchii tăietoare bine ascuțite se blochează mai greu și pot fi conduse mai ușor.

- g) **Folosii sculele electrice, accesoriile, dispozitivele de lucru etc. conform prezentelor instrucțiuni. Țineți seama de condițiile de lucru și de lucrarea care trebuie executată.** Întrebuințarea unor scule electrice destinate altor utilizări decât cele preconizate, poate duce la situații periculoase.

5) SERVICE

- a) **Permiteți repararea mașinii dumneavoastră numai de către un specialist calificat și numai cu piese de schimb originale.** În acest mod este garantată menținerea siguranței de exploatare a mașinii.

INSTRUCȚIUNI DE SIGURANȚĂ PENTRU ȘLEFUITOARE

- Evitați daunele provocate de șuruburi, ținte și alte elemente din timpul lucrului; înlăturați aceste elemente înainte de a trece la acțiune
- Feriți-vă întotdeauna cordonul de părțile în mișcare ale sculei; orientați cordonul spre spate, la distanță de sculă
- **Securizați piesa de lucru** (o piesă de lucru fixată cu clame sau într-o menghină este ținută mult mai în siguranță decât manual)
- Când puneți instrumentul la o parte, deconectați motorul și asigurați-vă că toate elementele mobile și-au oprit complet mișcarea
- Folosiți cabluri de prelungire derulate complet, protejate/izolate, cu o capacitate de 16 amperi
- În cazul unor defecțiuni electrice sau mecanice deconectați imediat instrumentul și scoateți șnurul din priză
- SKIL garantează funcționarea perfectă a sculei electrice numai dacă sunt folosite accesoriile corecte, care pot fi obținute de la dealerul dumneavoastră de produse SKIL
- Această sculă nu trebuie să fie folosită de persoane sub 16 ani
- Când este utilizat, nivelul de zgomot poate depăși 85 dB(A); este necesar să purtați echipament de protecție pentru urechi
- **Apucați mașina de mânerul izolat, deoarece banda poate atinge propriul ei cordon** (tăierea unui cablu electric "aflat sub tensiune" poate determina "punerea sub tensiune" a părților metalice expuse ale mașinii și poate cauza electrocutarea operatorului)
- În cazul în care cordonul este deteriorat sau secționat în timpul lucrului, nu atingeți cordonul, dar deconectați imediat de la priză
- Nu folosiți scula atunci când cordonul sau prezintă defecțiuni; înlocuirea lor se va efectua de o persoană autorizată
- Asigurați-vă că scula are contactul întrerupt atunci când o conectați la priză (aparatele 230 V și 240 V pot fi conectate la rețeaua de 220 V)
- Această sculă nu este destinată pentru șlefuire umedă
- **Nu prelucrați materiale care conțin azbest** (azbestul este considerat a fi cancerigen)

- Praful rezultat din materiale precum vopseala care conține plumb, unele specii de lemn, minerale și metale poate fi periculos (contactul cu praful sau inhalarea acestuia poate provoca reacții alergice și/sau afecțiuni respiratorii operatorului sau persoanelor care stau în apropiere); **purtați o mască de praf și lucrați cu un dispozitiv de extragere a prafului când poate fi conectat**
- Anumite tipuri de praf sunt clasificate ca fiind cancerigene (cum ar fi praful de stejar și fag) în special în combinație cu aditivi pentru tratarea lemnului; **purtați o mască și lucrați cu un dispozitiv de extragere a prafului când poate fi conectat**
- Respectați reglementările naționale referitoare la aspirația prafului în funcție de materialele de lucru folosite
- În timpul șlefuirii de metale sunt împrăștiate scântei: nu folosiți sacul pentru praf/aspiratorul și nu permiteți prezența altor persoane sau a unor materiale inflamabile în perimetrul de activitate
- Nu atingeți banda mobilă de șlefuire
- Nu continuați să folosiți benzi de șlefuire uzate, rupte sau extrem de îmbăcșite
- Utilizați întotdeauna mănuși de protecție, ochelari de protecție, îmbrăcăminte strânsă pe corp și articole de protecție a părului (în caz de păr lung)
- **Decuplați întotdeauna ștecherul de la sursa de alimentare înainte de a face o reglare sau o schimbare de accesorii**

UTILIZAREA

- Întrerupătorul pornit/oprit
 - porniți/opriți instrumentul prin tragerea/decuplarea declansatorului A ②
 - ! **înainte ca suprafața de șlefuire să atingă piesa de prelucrat, va trebui să porniți instrumentul**
 - ! **înainte de oprirea scula, trebuie să o ridicați de pe piesa de prelucrat**
- Întrerupător-blocare pentru uz continuu
 - trageți declansatorul ②
 - apăsați cu degetul gros butonul A ②
 - decuplați declansatorul
 - deblocați întrerupătorul prin tragerea din nou a declansatorului A ②, urmată de decuplarea acestuia
- Control de viteză ④
Pentru rezultate de șlefuire optimeale a diferitelor materiale
 - cu ajutorul roții C puteți alege viteza de șlefuire dorită
 - adaptați viteza la mărirea granulației folosite

- înainte de a începe lucrul stabiliți viteza și granulația optimă în urma efectuării unei probe pe materialul de rezervă
- Schimbarea a banda de șlefuire ⑤
 - ! **deconectați priza**
 - ridicați manetă D
 - înlăturați banda de șlefuire
 - introduceți noua bandă cu săgețile imprimare la partea interioară a benzii îndreptate în aceeași direcție ca săgeata E de pe instrument
 - apăsați manetă la loc
 - ! **schimbați benzile de șlefuire la timp**
 - ! **nu îndoiți niciodată benzile de șlefuire**
 - În cazul în care banda se abate de la centrul instrumentului (în majoritatea cazurilor datorită calității inferioare a benzii), va trebui să
 - porniți scula
 - rotiți butonul F ② până când banda de șlefuire va funcționa pe aceeași linie cu partea plată a instrumentului
 - dacă banda se abate încă de la centru, utilizați una nouă
- Aspirarea a prafului ⑥
 - montați sacul pentru praf G așa cum este ilustrat (2 poziții)
 - goliți regulat sacul pentru praf pentru realizarea unui randament optimal de aspirare a prafului
 - atunci când instrumentul este folosit cu aspirator, montați adaptorul pentru aspiratorul H așa cum este ilustrat (3 poziții)
 - ! **nu folosiți sacul pentru praf/aspiratorul atunci când șlefuiți metale**
- Mâner auxiliar ⑦
Utilizați manetă K pentru reglarea mânerului auxiliar J (2 poziții)
- Montarea ramei de șlefuire ⑧
 - montați rama de șlefuire L pentru egalizarea suprafețelor fără zgârieturi sau șanfluri, și asigurați-vă că este bine fixat
 - ! **rama de șlefuire L devine fierbinte în timpul utilizării; nu o atingeți până nu s-a răcit**
 - ! **scoateți rama de șlefuire L înainte de a depozita scula**
- Mânuirea și dirijarea sculei ⑨
 - dirijați instrumentul paralel cu suprafața de prelucrat
 - ! **în timp ce lucrați, țineți întotdeauna scula de zonă (zonele) de prindere colorate gri**
 - ! **nu aplicați presiune prea mare asupra instrumentului; lăsați ca suprafața de șlefuire să lucreze pentru dumneavoastră**
 - nu înclinați instrumentul, pentru a evita semne nedorite de șlefuire
 - mențineți fantele de ventilație N ② neacoperite

SFATURI PENTRU UTILIZARE

- Pentru șlefuirea suprafețelor neprelucrate de lemn, deplasați instrumentul cu mișcări rectilinii în direcția fibrei
- Pentru șlefuirea altor suprafețe, deplasați instrumentul cu mișcări circulare pe suprafața materialului

- Pentru aplicații fixe, монтирайте инструментът на маса с помощта на 2 клипчета M или с помощта на клипчетата
- ! **монтирайте чашата за прах G така, както е показано на изображението**
- ! **монтирайте адаптера за всасвателния пылесос H така, както е показано на изображението**
- Не използвайте никога същите ленти за шлифоване за дърво и метал
- Ниво на вибрация
- Ниво на емисиите на вибрация, посочено в техническите данни на ръководството, е измерено в съответствие с EN 60745; може да се използва за сравнение с ниво на алта и за оценка на предварително изложеността на вибрация, когато използвате лентата за приложенията, посочени в техническите данни
 - използването на лентата за приложенията, различните или с помощта на аксесоари различните и прост поддържане може **увеличить** значително ниво на излагане
 - моментите, в които лентата е оприта или когато функционират, но не изпълняват никаква работа, могат да **увеличат** значително ниво на излагане
- ! **предпазете се от ефектите на вибрацията при поддържането на машината и аксесоарите, като държите ръцете си далеч от машината и работещите аксесоари**

ЪТРЕЖИВАНЕ / SERVICE

- Поддържайте машината и кабела чисти (по-големи части от вентилатора N ②)
 - почиствайте с влажна кърпа частите от шлифоването
 - ! **разключете машината от електрическата мрежа преди почистване**
- Когато функцията на всасване на праха не работи, проверете дали работещата част на двигателя P работи според изображението и дали е възможно да се почиства прахът, който се натрупва в резултат на шлифоването ①
- ! **разключете машината от електрическата мрежа преди почистване**
- Ако в работещата машината се наблюдават проблеми с контрола и работата, машината трябва да се ремонтира в специализиран център за ремонт на машини SKIL за машини с електрически двигатели
 - прати машината **цяла** с пакета с покупки на дилера или в центъра за ремонт на SKIL, който е най-близък (адреси и диаграми за ремонт се намират на www.skileurope.com)

MEDIUL

- **Не изхвърляйте електрическите машини, аксесоарите или опаковките директно в контейнера за отпадък** (само за частите от машината от Европейската общност)
 - Директивата Европейска 2002/96/EC се отнася за машините и електрическите машини и модула за монтаж на електрическите машини и електрическите машини в съответствие с законодателството на страната; машините и електрическите машини, които са използвани в момента, в който са достигнали до степен на износване и трябва да се изхвърлят, трябва да се събират отделно и да се рециклират по начин, който съответства на нормите за защита на околната среда
 - символът ⑫ ви напомня за това

Лентов шлайф

7660

УВОД

- Уредът се използва за сухо шлифоване с висока производителност на дърво, пластмаса, метал, запълващ материал и боядисани повърхности
- Прочетете и пазете това ръководство за работа ③

ТЕХНИЧЕСКИ ПАРАМЕТРИ ①

ЕЛЕМЕНТИ НА ИНСТРУМЕНТА ②

- A Прехвърлящ за включване/изключване
- B Бутон за блокиране на електрическия ключ
- C Шайба за избор на скорост на шлифоване
- D Лост за смяна на абразивната лента
- E Стрелка
- F Копче за регулиране центровката на абразивната лента
- G Торбичката за прах
- H Адаптер за прахосмукачка
- J Помощна ръчка
- K Лост за нагласяване на помощната ръчка
- L Шлифовъчната рамка
- M Скоби за стационарна употреба
- N Вентилационните отвори

БЕЗОПАСНОСТ

ОБЩИ УКАЗАНИЯ ЗА БЕЗОПАСНА РАБОТА

⚠ ВНИМАНИЕ! Прочетете внимателно всички указания. Неспазването на приведените по долу указания може да доведе до токов удар, пожар и/или тежки травми. **Съхранявайте тези указания на сигурно място.** Използваният по-долу термин "електроинструмент" се отнася до защитени от електрическата мрежа електроинструменти (със защитен кабел) и до защитени от акумулаторна батерия електроинструменти (без защитен кабел).

1) БЕЗОПАСНОСТ НА РАБОТНОТО МЯСТО

- Поддържайте работното си място чисто и подредено.** Безпорядъкът или недостатъчното осветление могат да спомогнат за възникването на трудова злополука.
- Не работете с електроинструмента в среда с повишена опасност от възникване на експлозия, в близост до леснозапалими течности, газове или прахообразни материали.** По време на работа в електроинструментите се отделят искри, които могат да възпламенят прахообразни материали или пари.

- c) **Дръжте деца и странични лица на безопасно разстояние, докато работите с електроинструмента.** Ако вниманието Ви бъде отклонено, може да загубите контрола над електроинструмента.
- 2) БЕЗОПАСНОСТ ПРИ РАБОТА С ЕЛЕКТРИЧЕСКИ ТОК**
- a) **Щепселът на електроинструмента трябва да е подходящ за ползвания контакт. В никакъв случай не се допуска изменение на конструкцията на щепсела. Когато работите със занулени електроуреди, не използвайте адаптери за щепсела.** Ползването на оригинални щепсели и контакти намалява риска от възникване на токов удар.
- b) **Избягвайте допира на тялото Ви до заземени тела, напр. тръби, отоплителни уреди, пещи и хладилници.** Когато тялото Ви е заземено, рискът от възникване на токов удар е по-голям.
- c) **Предпазвайте електроинструмента си от дъжд и влага.** Проникването на вода в електроинструмента повишава опасността от токов удар.
- d) **Не използвайте захранващия кабел за цели, за които той не е предвиден, напр. за да носите електроинструмента за кабела или да извадите щепсела от контакта. Предпазвайте кабела от нагриване, омасляване, допир до остри ръбове или до подвижни звена на машини.**
Повредени или усукани кабели увеличават риска от възникване на токов удар.
- e) **Когато работите с електроинструмент навън, използвайте само удължителни кабели, предназначени за работа на открито.** Използването на удължител, предназначен за работа на открито, намалява риска от възникване на токов удар.
- f) **Ако се налага използването на електроинструмента във влажна среда, използвайте предпазен прекъсвач за утечни токове.** Използването на предпазен прекъсвач за утечни токове намалява опасността от възникване на токов удар.
- 3) БЕЗОПАСЕН НАЧИН НА РАБОТА**
- a) **Бъдете концентрирани, следете внимателно действията си и постъпвайте предпазливо и разумно. Не използвайте електроинструмента, когато сте уморени или под влиянието на наркотични вещества, алкохол или упойващи лекарства.** Един миг разсеяност при работа с електроинструмент може да има за следствие изключително тежки наранявания.
- b) **Работете с предпазващо работно облекло и винаги с предпазни очила.** Носенето на подходящи за ползвания електроинструмент и извършваната дейност лични предпазни средства, като дихателна маска, здрави плътнотзатворени обувки със стабилен грайфер, защитна каска или шумозаглушители (антифони), намалява риска от възникване на трудова злополука.
- c) **Избягвайте опасността от включване на електроинструмента по невнимание. Преди да включите щепсела в захранващата мрежа или да поставите акумулаторната батерия, се уверявайте, че пусковият прекъсвач е в положение изключено.** Ако, когато носите електроинструмента, дръжте пръста си върху пусковия прекъсвач, или ако подавате захранващо напрежение на електроинструмента, когато е включен, съществува опасност от възникване на трудова злополука.
- d) **Преди да включите електроинструмента, се уверявайте, че сте отстранили от него всички помощни инструменти и гаечни ключове.** Помощен инструмент, забравен на въртящо се звено, може да причини травми.
- e) **Не надценявайте възможностите си. Работете в стабилно положение на тялото и във всеки момент поддържайте равновесие.** Така ще можете да контролирате електроинструмента по-добре и по-безопасно, ако възникне неочаквана ситуация.
- f) **Работете с подходящо облекло. Не работете с широки дрехи или украшения. Дръжте косата си, дрехите и ръкавици на безопасно разстояние от въртящи се звена на електроинструментите.** Широките дрехи, украшенията, дългите коси могат да бъдат захванати и увлечени от въртящи се звена.
- g) **Ако е възможно използването на външна аспирационна система, се уверявайте, че тя е включена и функционира изправно.** Използването на аспирационна система намалява рисковете, дължащи се на отделящата се при работа прах.
- 4) ВНИМАТЕЛНО ОТНОШЕНИЕ КЪМ ЕЛЕКТРОИНСТРУМЕНТИ**
- a) **Не претоварвайте електроинструмента. Използвайте електроинструментите само съобразно тяхното предназначение.** Ще работите по-добре и по-безопасно, когато използвате подходящия електроинструмент в зададения от производителя диапазон на натоварване.
- b) **Не използвайте електроинструмент, чиито пусков прекъсвач е повреден.** Електроинструмент, който не може да бъде изключван и включван по предвидения от производителя начин, е опасен и трябва да бъде ремонтиран.
- c) **Преди да промените настройките на електроинструмента, да замените работни инструменти и допълнителни приспособления, както и когато продължително време няма да използвате електроинструмента, изключвайте щепсела от захранващата мрежа и/или изваждайте акумулаторната батерия.** Тази мярка премахва опасността от действие на електроинструмента по невнимание.

- d) **Съхранявайте електроинструментите на места, където не могат да бъдат достигнати от деца. Не допускайте те да бъдат използвани от лица, които не са запознати с начина на работа с тях и не са прочели тези инструкции.** Когато са в ръцете на неопитни потребители, електроинструментите могат да бъдат изключително опасни.
- e) **Поддържайте електроинструментите си грижливо. Проверявайте дали подвижните звена функционират безукорно, дали не заклинват, дали има счупени или повредени детайли, които нарушават или изменят функциите на електроинструмента. Преди да използвате електроинструмента, се погрижете повредените детайли да бъдат ремонтирани.** Много от трудовите злополуки се дължат на недобре поддържани електроинструменти и уреди.
- f) **Поддържайте режещите инструменти винаги добре заточени и чисти.** Добре поддържаните режещи инструменти с остри ръбове оказват по-малко съпротивление и се водят по-леко.
- g) **Използвайте електроинструментите, допълнителните приспособления, работните инструменти и т.н., съобразно инструкциите на производителя. С дейности и процедури, евентуално предписани от различни нормативни документи.** Използването на електроинструменти за различни от предвидените от производителя приложения повишава опасността от възникване на трудови злополуки.
- 5) **ПОДДЪРЖАНЕ**
- a) **Допускайте ремонтът на електроинструментите Ви да се извършва само от квалифицирани специалисти и само с използването на оригинални резервни части.** По този начин се гарантира съхраняване на безопасността на електроинструмента.

УКАЗАНИЯ ЗА БЕЗОПАСНА РАБОТА ЗА ШЛИФОВЪЧНА МАШИНИ

- Избягвайте повреди, които могат да бъдат причинени от винтове, гвоздеи и други метални елементи в обработвания детайл; отстранете ги преди да започнете работа
- Винаги отвеждайте захранващият кабел далеч от движещите се звена на електроинструмента; прехвърлете кабела отзад, далеч от електроинструмента
- **Обезопасете работния материал** (материал, затегнат в затягащ инструмент или в менгеме е по-устойчив, отколкото ако се държи в ръка)
- Преди да приберете инструмента, изключете мотора и се уверете, че всички движещи се части са преустановили движението
- Използвайте напълно развити и безопасени разклонители с капацитет 16 A

- В случай на електрическа или механична неизправност, изключете незабавно апарата и прекъснете контакта с електрическата мрежа
- SKIL може да осигури безаварийна работа на електроинструмента само ако се използват подходящите консумативи, които можете да намерите при оторизираните дистрибутори на SKIL
- **Машината не трябва да се използва от лица под 16 години**
- При работа нивото на шума може да надвиши 85 dB(A); носете анттифони
- **Дръжте инструмента за изолираните повърхности на ръкохватката, понеже лентата може да опре в неговия захранващ кабел** (прерязването на "фазовия" кабел може да доведе до наличие на напрежение на откритите метални части на инструмента и да причини удар от електрически ток на оператора)
- Ако кабелът се повреди или среже по време на работа, не го докосвайте, веднага изключете щепсела, никога не използвайте инструмента с повреден кабел
- Не използвайте инструмента, когато е повреден шнурът; замената му следва да се извърши от квалифицирано лице
- При включване в контакта, се уверете, че инструмента е изключена (инструменти с номинално напрежение 230V или 240V могат да бъдат включени и към захранване с напрежение 220V)
- Уредът не е подходящ за мокро шлифование
- **Не обработвайте азбестосъдържащ материал** (азбестът е канцерогенен)
- Прахът от някои материали, като например съдържаща олово боя, някои видове дървесина, минерали и метали може да бъде вреден (контакт или вдишване на такъв прах могат да причинят алергични реакции и/или респираторни заболявания на оператора или стоящите наблизо лица); **използвайте противопрахова маска и работете с аспириращо прахта устройство, когато такова може да бъде свързано**
- Определени видове прах са класифицирани като карциногенни (като прах от дъб и бук) особено когато са комбинирани с добавки за подобряване на състоянието на дървесината; **използвайте противопрахова маска и работете с аспириращо прахта устройство, когато такова може да бъде свързано**
- Следвайте дефинираните по БДС изисквания относно запрашеността за материалите, които желаете да обработвате
- При шлифование на метал се образуват искри; не използвайте торъчката за прах/прахосмукачка и дръжте други лица и възпламеняващ се материал извън обсега на действие
- Не докосвайте шлифовъчната лента
- Не използвайте износени, разкъсани или силно замърсени шлифовъчни ленти

- Носете предпазни ръкавици, очила за безопасност, прилепващо по тялото облекло и вземете предпазни мерки за косата си (при дълга коса)
- **Преди извършването на каквато и да било настройка или смяна на принадлежност винаги изваждайте щепсела от контакта на електрозахранването**

УПОТРЕБА

- Включване/изключване
 - включвайте/изключвайте апарата чрез натискане/отпускане на спусък А ②
 - ! **включете апарата преди да докосне работната повърхност**
 - ! **преди да изключите инструмента, трябва да я вдигнете от работната повърхност**
- Застопоряване на включващия спусък за непрекъсната работа
 - натиснете спусък А ②
 - натиснете бутон В ② с палеца
 - отпуснете спусъка
 - освободете механизма от застопорено положение като натиснете отново спусък А ② и го отпуснете
- Управление на скоростта ④

За оптимални шлифовъчни резултати при различни материали

 - чрез шайба С можете да изберете желаната от Вас скорост на шлифоване
 - съобразете скоростта със зърнистостта на шлифовъчната хартия, която използвате
 - преди започване на работа, определете оптималната скорост и зърнистост като ги тествате на резервен материал
- Сменяне на шлифовъчната лента ⑤
 - ! **изключете щепсела**
 - повдигнете лоста D
 - отстранете шлифовъчната лента
 - поставете нова лента като стрелката, отпечатана на вътрешната страна на лентата трябва да показва същата посока на стрелка E, намираща се върху апарата
 - затворете лоста
 - ! **сменяйте своевременно шлифовъчните ленти**
 - ! **не сгъвайте никога шлифовъчните ленти**

В случай, че лентата излезе от апарата (в повечето случаи в резултат на употреба на ниско-качество лента), предприемете следното:

 - включете инструмента
 - завъртете копчето F ② шлифовъчната лента докато тя прилегне на плоската страна на апарата
 - сменете лентата с нова, ако продължава да излиза от апарата
- Изсмукване на праха ⑥
 - монтирайте торъчката за стружки G, както е показано (2 позиции)
 - изправете торъчката за прах редовно за оптимален резултат при прахоизсмукването

- при използване на прахосмукачка, монтирайте адаптора за прахосмукачката H, както е показано (3 позиции)
- ! **не използвайте торбичката за прах/прахосмукачка при шлифоване на метал**
- Помощна ръкохватка ⑦

Използвайте лост K за нагласяне на помощната ръчката J (2 позиции)
- Поставяне на шлифовъчната рамка ⑧
 - монтирайте шлифовъчната рамката L, за да подравните повърхнините без дракотини или вдлъбнатини, и се уверете, че е поставен добре на място
 - ! **по време на шлифовъчната рамка се загрева; не я докосвайте докато не изстине напълно**
 - ! **изваждайте шлифовъчната рамка L преди прибиране на инструмента**
- Държане и насочване на инструмента ⑨
 - движете апарата успоредно на работната повърхност
 - ! **по време на работа, винаги дръжте уреда за оцветената(ите) в сиво зона(и) за хващане**
 - ! **не упражнявайте особен натиск върху апарата; оставете шлифовъчната повърхност сама да върши работа**
 - не повдигайте апарата за да предотвратите нежелателни следи по работната повърхност
 - оставете вентилационните отвори N ② непокрити

УКАЗАНИЯ ЗА РАБОТА

- При шлифоване на голи дървени повърхности движете апарата с надлъжни движения по посока на нерва на дървото
- При шлифоване на всички други повърхности, извършвайте кръгови движения с апарата върху материала
- За стационарна употреба закрепете инструмента за работната маса с помощта на 2 скоби M
 - ! **монтирайте торъчката за стружки G, както е показано**
 - ! **монтирайте адаптора за прахосмукачката H, както е показано**
- Не използвайте никога една и съща шлифовъчна лента за дърво и метал
- Ниво на вибрации

Нивото на предадените вибрации, отбелязано на гърба на това ръководство за експлоатация е измерено в съответствие със стандартизирания тест, определен в EN 60745; то може да се използва за сравнение на един инструмент с друг и като предварителна оценка на подлагането на вибрации при използването на инструмента за посочените приложения

 - използването на инструмента за различни от тези приложения или с други, или лошо поддържани аксесоари може значително да повиши нивото на което сте подложени

- периодите от време, когато инструмента е изключен или съответно включен, но с него не се работи в момента могат значително **да намалят** нивото на което сте подложени
- ! **предпазвайте се от ефектите от вибрациите, като поддържате инструмента и аксесоарите му, пазите ръцете си топли и организирате вашите модели на работа**

ПОДДРЪЖКА / СЕРВИЗ

- Поддържайте винаги електроинструмента и захранващия кабел чисти (особено вентилационните отвори N ②)
 - почиствайте полепил се срутков прах с четка
 - ! **преди почистване изключете щепсела**
- Ако системата за засмукване на прах вече не работи нормално, можете да отворите кожуха P по показания начин и да отстраните натрупания от шлайфането прах ①
 - ! **преди почистване изключете щепсела**
- Ако въпреки прецизното производство и внимателно изпитване възникне повреда, инструмента да се занесе за ремонт в оторизиран сервиз за електроинструменти на SKIL
 - занесете инструмента в неразглобен вид заедно с доказателство за покупката му в търговския обект, откъдето сте го закупили, или в най-близкия сервиз на SKIL (адресите, както и схемата за сервизно обслужване на електроинструмента, можете да намерите на адрес www.skileurope.com)

ОПАЗВАНЕ НА ОКОЛНАТА СРЕДА

- **Не изхвърляйте електроуредите, приспособленията и опаковките заедно с битови отпадъци** (само за страни от ЕС)
 - съобразно Директивата на ЕС 2002/96/EG относно износени електрически и електронни уреди и отразяването ѝ в националното законодателство износените електроуреди следва да се събират отделно и да се предават за рециклиране според изискванията за опазване на околната среда
 - за това указва символът ⑫ тогава когато трябва да бъдат унищожени

SK

Пасова бру̀ска

7660

УВОД

- Tento nástroj je určený na brúsenie na sucho; nástroj má vysoký brúsný výkon a môžete ho použiť na brúsenie dreva, plastu, kovu, tmelov a lakovaných alebo farbených povrchov
- Prečítajte a uschovajte tento návod na použitie ③

TECHNICKÉ ŠPECIFIKÁCIE ①

ČASTI NÁSTROJA ②

- A Spínač zapnutie/vypnutie
- B Tlačidlo na zaistenie vypínača
- C Koliesko regulátor brusiacej rýchlosti
- D Páčka na výmenu brúsneho pásu
- E Šípka
- F Tlačidlo na centrovanie brúsneho pásu
- G Prachové vrecko
- H Adaptér na vysávač
- J Pomocné drážadlo
- K Páčka na nastavovanie pomocná rukováť
- L Brúsný rám
- M Upinacie svorky pre stacionárne použitie
- N Vetracie štrbiny

BEZPEČNOSŤ

VŠEOBECNÉ BEZPEČNOSTNÉ POKYNY

⚠ POZOR! Prečítajte si všetky výstražné upozornenia a bezpečnostné pokyny. Zanedbanie dodržiavania výstražných upozornení a pokynov uvedených v nasledujúcom texte môže mať za následok zásah elektrickým prúdom, spôsobiť požiar a/alebo ťažké poranenie. **Tieto výstražné upozornenia a bezpečnostné pokyny starostlivo uschovajte na budúce použitie.** Pojem ručné "elektrické náradie" používaný v nasledujúcom texte sa vzťahuje na ručné elektrické náradie napájané zo siete (s prírodnou šnúrou) a na ručné elektrické náradie napájané akumulátorovou batériou (bez prírodnej šnúry).

1) BEZPEČNOSŤ NA PRACOVISKU

- a) **Udržiavajte svoje pracovisko čisté a upratané.** Neporiadok na pracovisku alebo neosvetlené časti pracoviska môžu viesť k úrazom.
- b) **Nepracujte elektrickým náradím v prostredí ohrozenom výbuchom, v ktorom sa nachádzajú horľavé kvapaliny, plyny alebo prach.** Elektrické náradie produkuje iskry, ktoré môžu prach alebo pary zapáliť.
- c) **Deti a iné osoby udržiavajte počas práce od ručného elektrického náradia v dostatočnej vzdialenosti.** V prípade odpútania Vašej pozornosti by ste mohli stratiť kontrolu nad náradím.

2) ELEKTRICKÁ BEZPEČNOSŤ

- a) **Zástrčka prírodnej šnúry sa musí hodiť do napájacej zásuvky. Zástrčka sa v žiadnom prípade nesmie meniť. Pri uzemnených spotrebičoch nepoužívajte spolu s nimi žiadne adaptéry.** Nezmenená zástrčka a vhodná zásuvka znižujú riziko zásahu elektrickým prúdom.
- b) **Vyhýbajte sa telesnému kontaktu s povrchovými plochami uzemnených spotrebičov, ako sú elektrické rúry, vyhrievacie telesá, sporáky a chladničky.** Keď je Vaše telo uzemnené, riziko zásahu elektrickým prúdom je vyššie.

- c) **Chráňte ručné elektrické náradie pred dažďom a vlhkom.** Vniknutie vody do ručného elektrického náradia zvyšuje riziko zásahu elektrickým prúdom.
- d) **Nepoužívajte prírodnú šnúru na prenášanie náradia, na jeho vešanie, ani za ňu nevyťahujte zástrčku zo zásuvky.** Prírodnú šnúru chráňte pred horúcou, olejom, ostrými hranami alebo pohybujúcimi sa časťami náradia. Poškodené alebo zauzlené šnúry zvyšujú riziko zásahu elektrickým prúdom.
- e) **Ak pracujete s ručným elektrickým náradím vonku, používajte len také predlžovacie šnúry, ktoré sú schválené pre používanie vo vonkajších priestoroch.** Používanie predlžovacej šnúry určenej do vonkajšieho prostredia znižuje riziko zásahu elektrickým prúdom.
- f) **Ak sa nedá vyhnúť použitiu ručného elektrického náradia vo vlhkom prostredí, použite prerušovač uzemňovacieho obvodu.** Používanie prerušovača uzemňovacieho obvodu znižuje riziko zásahu elektrickým prúdom.
- ### 3) BEZPEČNOSŤ OSÔB
- a) **Buďte pozorní, dávajte pozor na to, čo robíte a k práci s elektrickým náradím pristupujte rozumne. Nepoužívajte elektrické náradie, keď ste unavení alebo keď ste pod vplyvom drog, alkoholu alebo liekov.** Chvilka nepozornosti pri používaní náradia môže viesť k vážnym poraneniam.
- b) **Noste osobné ochranné pomôcky, ochranný odev a vždy majte nasadené ochranné okuliare.** Nosenie pracovného odevu a používanie ochranných pomôcok ako ochrannej dýchacej masky, bezpečnostných protišmykových topánok, prilby alebo chrániča sluchu, podľa druhu elektrického náradia, znižuje riziko poranenia.
- c) **Vyhýbajte sa neúmyselnému uvedeniu ručného elektrického náradia do činnosti. Pred zasunutím zástrčky do zásuvky a/alebo pred pripojením akumulátora, pred chytením alebo prenášaním ručného elektrického náradia sa vždy presvedčte sa, či je ručné elektrické náradie vypnuté.** Ak budete mať pri prenášaní ručného elektrického náradia prst na vypínači, alebo ak ručné elektrické náradie pripojíte na elektrickú sieť zapnutú, môže to mať za následok nehodu.
- d) **Skôr ako ručné elektrické náradie zapnete, odstráňte nastavovacie a montážne nástroje.** Nástroj alebo kľúč, ktorý sa nachádza v pohyblivej časti náradia, môže spôsobiť poranenie.
- e) **Neprečunujte sa. Zabezpečte si pevný postoj a neprestajne udržiavajte rovnováhu.** Takto budete môcť ručné elektrické náradie v neočakávaných situáciách lepšie kontrolovať.
- f) **Pri práci noste vhodný pracovný odev. Nenoste široké odevy a nemajte na sebe šperky. Dbajte na to, aby ste mali vlasy, odev a rukavice v dostatočnej vzdialenosti od pohybujúcich sa častí náradia.** Pohybujúce sa časti náradia by mohli zachytiť voľné oblečenie, šperky alebo dlhé vlasy.

- g) **Ak možno namontovať zariadenie na odsávanie alebo zachytávanie prachu, presvedčte sa, či je pripojené a správne používané.** Používanie odsávacieho zariadenia a zariadenia na zachytávanie prachu znižuje riziko ohrozenia zdravia prachom.
- ### 4) STAROSTLIVÉ ZAOBCHÁDZANIE S ELEKTRICKÝM NÁRADÍM A JEHO POUŽÍVANIE
- a) **Náradie nepreťažujte. Pre svoju prácu používajte určené elektrické náradie.** Pomocou vhodného ručného elektrického náradia budete môcť v uvedenom rozsahu výkonu pracovať lepšie a bezpečnejšie.
- b) **Nepoužívajte žiadne ručné elektrické náradie, ktoré má pokazený vypínač.** Ručné elektrické náradie, ktoré sa už nedá zapínať alebo vypínať, je nebezpečné a treba ho dať opraviť.
- c) **Skôr ako začnete náradie nastavovať alebo prestavovať, vymieňať príslušenstvo alebo skôr, ako odložíte náradie, vždy vytiahnite zástrčku sieťovej šnúry zo zásuvky.** Toto bezpečnostné opatrenie zabraňuje neúmyselnému spusteniu náradia.
- d) **Nepoužívané ručné elektrické náradie uschovávajte mimo dosahu detí. Nedopusťte, aby ručné elektrické náradie používali osoby, ktoré s ním nie sú dôkladne oboznámené, alebo ktoré si neprečítali tento Návod na používanie.** Ak ručné elektrické náradie používajú neskúsené osoby, stáva sa nebezpečným nástrojom.
- e) **Elektrické náradie starostlivo ošetrujte. Skontrolujte, či pohyblivé súčiastky náradia bezchybne fungujú a neblokujú a či nie sú zlomené alebo poškodené niektoré súčiastky, ktoré by mohli negatívne ovplyvniť fungovanie ručného elektrického náradia. Pred použitím ručného elektrického náradia dajte poškodené súčiastky opraviť.** Nejedyn úraz bol spôsobený zle udržiavaným náradím.
- f) **Používané nástroje udržiavajte ostré a čisté.** Starostlivo ošetrované nástroje s ostrými reznými hranami sa menej často zablokujú a ich vedenie je podstatne ľahšie.
- g) **Používajte ručné elektrické náradie, príslušenstvo, pracovné nástroje a pod. podľa týchto pokynov. Zohľadnite pritom konkrétne pracovné podmienky a činnosť, ktorú máte vykonať.** Používanie ručného elektrického náradia na iné ako určené účely môže viesť k nebezpečným situáciám.
- ### 5) SERVIS
- a) **Ručné elektrické náradie zverte do opravy len kvalifikovanému personálu a používajte len originálne náhradné súčiastky.** Tým sa zabezpečí zachovanie bezpečnosti ručného elektrického náradia.

BEZPEČNOSTNÉ POKYNY PRE BRÚSKY

- Zabráňte poškodeniu náradia skrutkami, klincami a inými kovovými predmetmi v obrobku; zoberte ich dôle prv než začnete pracovať
- Elektrickú šnúru udržižte vždy mimo pohybujúcich sa častí nástroja; elektrickú šnúru vždy smerujte dozadu, mimo nástroja

- **Zaistite obrábaný diel** (obrábaný diel uchytený pomocou upínacích zariadení alebo vo zveráku je oveľa bezpečnejší kým v ruke)
- Skôr než nástroj položíte, presvedčte sa že je motor vypnutý a že sú všetky pohyblivé súčiastky zastavené
- Používajte úplne odmotanú a bezpečnú predlžovaciu šnúru s kapacitou 16 A
- V prípade elektrickej alebo mechanickej poruchy zastavte okamžite nástroj a vyťahnite zástrčku z nástennej zásuvky
- SKIL zabezpečí bezchybný chod nástroja len ak sa používa správne príslušenstvo, ktoré môžete získať od vášho diera SKIL
- Tento nástroj by nemali používať osoby mladšie ako 16 rokov
- Hlasitosť zapnutého prístroja môže byť viac aké 85 dB(A); chráňte si uši ochrannými kryciami prostriedkami
- **Elektrické náradie držte za izolované plochy rukoväti, pretože nástroj by sa mohol dotknúť vlastnej prírodnej šnúry** (kontakt s vedením, ktoré je pod napätím, spôsobí, že aj kovové súčiastky náradia sa dostanú pod napätie, čo môže spôsobiť zásah operátora elektrickým prúdom)
- Ak je sieťová šnúra poškodená alebo ak sa prereže počas prevádzky, nedotýkajte sa jej ale ju ihneď odpojte z hlavnej elektrickej siete
- Nikdy nepoužívajte nástroj ak je šnúra poškodená; šnúru musí vymeniť kvalifikovaná osoba
- Vždy skontrolujte či je napätie elektrického prúdu rovnaké ako napätie na štítku nástroja (nástroj s menovaným napätím 230V alebo 240V sa môže napojiť aj na 220V-ový prúd)
- Tento nástroj sa nehodí na brúsenie vlhkého povrchu
- **Neobrábajte materiál, ktorý obsahuje azbest** (azbest sa považuje za rakovinotvorný materiál)
- Prach z materiálu, akým je náter obsahujúci olovo, niektoré druhy dreva, minerály a kovy môže byť škodlivý (styk alebo nadýchanie prachu môže spôsobiť alergické reakcie a/alebo respiračné ochorenia obsluhy a okolostojacích osôb); **používajte ochrannú masku tváre a pracujte so zariadením na odsávanie prachu, ak je takéto zariadenie možné pripojiť**
- Určité druhy prachu sú klasifikované ako karcinogénne (akým dubový a bukový prach), a to hlavne v spojení s prísadami pre úpravu dreva; **používajte ochrannú masku tváre a pracujte so zariadením na odsávanie prachu, ak je takéto zariadenie možné pripojiť**
- Dodržujte stanovené nariadenia pre prácu v prašnom prostredí
- Pri brúsení sa tvoria iskry; nepoužívajte vrecko na prach/vysávač a dbajte na to, aby sa v pracovnom priestore nezdržovala iná osoba a nebol horľavý materiál
- Nedotýkajte sa pohybujúceho sa brúsneho pásu
- Opatrovaný, natrhnutý alebo zanesený brúsny pás ihneď vymeňte
- Používajte ochranné rukavice, ochranné okuliare, priliehavý oblek a v prípade dlhých vlasov aj pokrývku hlavy

- **Pri nastavovaní alebo výmene príslušenstva vždy vyťahnite prírodný kábel zo zásuvky**

POUŽITIE

- Vypínač zapnutie/vypnutie
 - nástroj zapnite/vypnite stlačením/uvoľnením vypínača A ②
 - ! **nástroj je treba zapnúť predtým než sa dotkne povrchu brúseného kusu**
 - ! **pred vypnutím nástroja by ste ho mali zdvihnúť z miesta obrábania**
- Uzamknutie vypínača pri nepretržitom užívaní
 - stlačte vypínač A ②
 - palcom stlačte tlačidlo B ②
 - uvoľnite vypínač
 - zaistenie uvoľníte opätovným stlačením vypínača A ② a jeho uvoľnením
- Kontrola rýchlosti ④
 - Na dosiahnutie najlepších výsledkov na rôznych materiáloch
 - kolieskom C nastavte želanú brúsiacu rýchlosť
 - nastavte rýchlosť podľa veľkosti použitej drte
 - prv než začnete pracovať zistite optimálnu rýchlosť a veľkosť drte tak, že vyskúšajte brúsenie na nepotrebnom kúsku materiálu
- Výmena brúsneho pásu ⑤
 - ! **odpojte zástrčku**
 - uvoľnite poistku D
 - odstráňte brúsny pás
 - vložte nový brúsny pás tak, aby šípky na jeho vnútornej strane smerovali rovnako ako šípka E na nástroje
 - zatlačte poistku naspäť
 - ! **brúsny pás priebežne vymieňajte**
 - ! **brúsny pás nikdy neskladajte**
 - Ak sa brúsny pás uvoľní z nástroja (väčšinou kvôli nízkej kvalite pásu):
 - nástroj zapnite
 - otáčajte tlačidlom F ② tak, aby bol brúsny pás umiestnený súbežne s plochou stranou nástroja
 - ak sa brúsny pás neustále uvoľňuje z nástroja, použite nový brúsny pás
- Odsávanie prachu ⑥
 - namontujte prachové vrecko G podľa obrázku (2 polôh)
 - vyprázdňte vrecko na prach pravidelne aby sa čo najviac zvýšil výkon sania prachu
 - keď používate nástroj s vysávačom, namontujte adaptér vysávača H podľa obrázku (3 polôh)
 - ! **nepoužívajte prachové vrecko/vysávač keď brúsíte kov**
- Pomocné držadlo ⑦
 - Páčkou K nastavte pomocné držadlo J (2 polôh)
- Upevnenie brúsneho rámu ⑧
 - ak nechcete na brúsenom povrchu spôsobiť škrabance alebo ryhy, použite brúsny rám L, a skontrolujte, či drží pevne na svojom mieste

- ! počas práce je brúsny rám L veľmi horúci; nedotýkajte sa ho, až kým nevychladne
- ! odmontujte brúsny rám L pred uskladnením náradia
- Držanie a vedenie nástroja ⑨
 - nástrojom pohybujte rovnoobežne s pracovným kusom
- ! počas práce vždy držte nástroj v oblasti sivého držadla(iel)
- ! pri práci netlačte príliš silno na nástroj, nechajte ho voľne pohybovať po brúsenom kuse
 - nástroj sa nemá klopiť lebo týmto dôjde k tvorbe rýh na brúsenej ploche
 - vetracie štrbiny N ② udržujte nezakryté

RADU NA POUŽITIE

- Pri brúsení čistých drevených povrchov pohybujte nástrojom rovnými ťahmi v smere zrna
- Pri brúsení všetkých ostatných povrchov pohybujte nástrojom krúživými ťahmi
- Pre stacionárne použitie pripevnite nástroj k pracovnému stolu 2 upínacími svorkami M
 - ! namontujte prachové vrečko G podľa obrázku
 - ! namontujte adaptér vysávača H podľa obrázku
- Nikdy nepoužívajte rovnaký brúsny pás na brúsenie dreva a kovu
- Hladina vibrácií
 - Hladina emisií od vibrácií uvedená na zadnej strane tohto návodu na obsluhu bola nameraná v súlade s normalizovaným testom uvedeným v norme EN 60745; môže sa používať na vzájomné porovnávanie náradí a na predbežné posúdenie vystavenia účinkom vibrácií pri používaní náradia pre uvedené aplikácie
 - používanie náradia na rôzne aplikácie, alebo v spojení s rôznymi alebo nedostatočne udržiavanými doplnkami môže značne zvýšiť úroveň vystavenia
 - časové doby počas ktorých je je náradie vypnuté alebo počas ktorých náradie beží ale v skutočnosti nevykonáva prácu môžu značne znížiť úroveň vystavenia
- ! chráňte sa pred účinkami vibrácií tak, že budete náradie a jeho príslušenstvo správne udržiavať, tak že nebudete pracovať so studenými rukami a tak že si svoje pracovné postupy správne zorganizujete

ÚDRŽBA / SERVIS

- Nástroj a sieťovú šnúru udržujte stále čistú (zvlášť vetracie štrbiny N ②)
 - pomocou kefy odstráňte nalepený brúsny prach
 - ! pred čistením odpojte z elektrickej siete
- Ak odsávanie prachu prestane fungovať, môžete spôsobom znázorneným na obrázku otvoriť kryt P a odstrániť prípadný nahromadený brúsny prach ⑪
 - ! pred čistením odpojte z elektrickej siete

- Ak by nástroj napriek starostlivej výrobe a kontrole predsa len prestal niekedy fungovať, treba dať opravu vykonať autorizovanej servisnej opravovni elektrického náradia SKIL
 - pošlite nástroj bez rozmontovania spolu s dôkazom o kúpe; vášmu dilerovi alebo do najbližšieho servisného strediska SKIL (zoznam adries servisných stredísk a servisný diagram nástroja sú uvedené na www.skileurope.com)

ŽIVOTNÉ PROSTREDIE

- Elektrické náradie, príslušenstvo a balenia nevyhadzujte do komunálneho odpadu (len pre štáty EÚ)
 - podľa európskej smernice 2002/96/EG o nakladaní s použitými elektrickými a elektronickými zariadeniami a zodpovedajúcich ustanovení právnych predpisov jednotlivých krajín sa použité elektrické náradie musí zbierať oddelene od ostatného odpadu a podrobiť ekologicky šetrnej recyklácii
 - pripomenie vám to symbol ⑫, keď ju bude treba likvidovať

HR

Tračna brusilica

7660

UVOD

- Ovaj je uređaj predviđen suhom brušenju i posjeduje veliku mogućnost uklanjanja drveta, plastike, metala te kitanih i obojanih površina
- Pažljivo pročitajte i sačuvajte ove upute za rukovanje ③

TEHNIČKI PODACI ①

DIJELOVI ALATA ②

- A Prekidač uključeno/isključeno
- B Gumb za zaključavanje prekidača za uključivanje/isključivanje
- C Kotačić za odabir brzine brušenja
- D Ručica za zamjenu brusne trake
- E Streljica
- F Gumb za centriranje trake
- G Vrećica za prašinu
- H Priključak usisavača prašine
- J Pomoćna drška
- K Ručica za prilagođavanje pomoćne ručke
- L Brusni okvir
- M Stezaljke pri stacionarnoj upotrebi
- N Otvori za strujanje zraka

SIGURNOST

OPĆE UPUTE ZA SIGURAN RAD

PAŽNJA! Treba pročitati sve napomene o sigurnosti i upute. Ako se ne bi poštivale napomene o sigurnosti i upute to bi moglo uzrokovati strujni udar, požar i/ili teške ozljede. **Sačuvajte sve napomene o sigurnosti i upute za buduću primjenu.** U daljnjem tekstu korišten pojam "električni alat" odnosi se na električne alate s priključkom na električnu mrežu (s mrežnim kabelom) i na električne alate s napajanjem iz aku baterije (bez mrežnog kabela).

1) SIGURNOST NA RADNOM MJESTU

- a) **Vaše radno područje održavajte čisto i uredno.**
Nered ili neosvijetljeno radno područje mogu doći do nezgoda.
- b) **S uređajem ne radite u okolini ugroženoj eksplozijom, u kojoj se nalaze zapaljive tekućine, plinovi ili prašina.** Električni alati proizvode iskre koje mogu zapaliti prašinu ili pare.
- c) **Djecu i ostale osobe držite dalje tijekom korištenja električnog alata.** Ako bi skrenuli pozornost sa posla mogli bi izgubiti kontrolu nad uređajem.

2) ELEKTRIČNA SIGURNOST

- a) **Priključni utikač uređaja treba odgovarati utičnici. Na utikaču se ni u kojem slučaju ne smiju izvoditi izmjene. Ne koristite adapterske utikače zajedno sa uređajima koji su zaštićeni uzemljenjem.**
Originalni utikač i odgovarajuće utičnice smanjuju opasnost od električnog udara.
- b) **Izbjegavajte dodir tijela s uzemljenim površinama kao što su cijevi, centralno grijanje, štednjaci i hladnjaci.** Postoji povećana opasnost od električnog udara ako je vaše tijelo uzemljeno.
- c) **Držite uređaj dalje od kiše ili vlage.**
Prodiranje vode u električni uređaj povećava opasnost od električnog udara.
- d) **Priključni kabel ne koristite za nošenje, vješanje ili za izvlačenje utikača iz utičnice. Držite kabel dalje od izvora topline, ulja, oštih rubova ili pomičnih dijelova uređaja.** Oštećen ili usukan kabel povećava opasnost od električnog udara.
- e) **Ako s električnim uređajem radite na otvorenom, koristite samo produžni kabel odobren za uporabu na otvorenom.** Primjena produžnog kabela prikladnog za uporabu na otvorenom smanjuje opasnost od električnog udara.
- f) **Ako se ne može izbjeći uporaba električnog alata u vlažnoj okolini, upotrijebite sigurnosna sklopka za propuštanje u zemlju.** Upotrebom sigurnosne sklopke za propuštanje u zemlju smanjuje se opasnost od električnog udara.

3) SIGURNOST LJUDI

- a) **Budite oprezni, pazite što činite i postupajte razumno kod rada s električnim alatom. Ne koristite uređaj ako ste umorni ili pod utjecajem opojnih sredstava, alkohola ili lijekova.** Trenutak nepažnje kod uporabe uređaja može doći do ozbiljnih ozljeda.

- b) **Nosite sredstva osobne zaštite i uvijek zaštitne naočale.** Nošenje sredstava osobne zaštite, kao što je zaštitna maska, sigurnosne cipele koje ne klize, zaštitne kacige ili štitnika za sluh, ovisno od vrste i primjene električnog alata, smanjuje opasnost od nezgoda.
 - c) **Izbjegavajte nehotično puštanje u rad. Prije nego što ćete utaknuti utikač u utičnicu i/ili staviti aku-bateriju, provjerite je li električni alat isključen.**
Ako kod nošenja električnog alata imate prst na prekidaču ili se uključen uređaj priključi na električno napajanje, to može dovesti do nezgoda.
 - d) **Prije nego što uređaj uključite, uklonite alate za podešavanje ili vijčane ključeve.** Alat ili ključ koji se nalazi u rotirajućem dijelu uređaja može doći do nezgoda.
 - e) **Ne precjenjujte svoje sposobnosti. Zauzmite siguran i stabilan položaj tijela i držite u svakom trenutku ravnotežu.** Na taj način možete uređaj bolje kontrolirati u neočekivanim situacijama.
 - f) **Nosite prikladnu odjeću. Ne nosite široku odjeću ili nakit. Neka vaša kosa, odjeća i rukavice budu što dalje od pomičnih dijelova.** Mlohavu odjeću, nakit ili dugu kosu mogu zahvatiti pomični dijelovi uređaja.
 - g) **Ako se mogu montirati naprave za usisavanje i hvatanje prašine, provjerite da li su iste priključene i da li se pravilno koriste.** Primjena naprave za usisavanje može smanjiti ugroženost od prašine.
- ### 4) BRIŽLJIVA UPORABA ELEKTRIČNIH ALATA
- a) **Ne preopterećujte uređaj. Koristite za vaše radove za to predviđen električni alat.** S odgovarajućim električnim alatom radit ćete bolje i sigurnije, u navedenom području učinka.
 - b) **Ne koristite električni alat čiji je prekidač neispravan.** Električni alat koji se više ne može uključiti ili isključiti, opasan je i treba se popraviti.
 - c) **Izvučite utikač iz mrežne utičnice i/ili izvadite aku-bateriju prije podešavanja uređaja, zamjene pribora ili odlaganja uređaja.** Ovim mjerama opreza spriječit će se nehotično pokretanje uređaja.
 - d) **Nekorištene električne alate spremite izvan doseg djece. Ne dopustite da uređaj koriste osobe koje s njim nisu upoznate ili koje nisu pročitale upute za uporabu.** Električni alati su opasni ako ih koriste neiskusne osobe.
 - e) **Uređaj održavajte s pažnjom. Kontrolirajte da li pomični dijelovi uređaja besprijekorno rade i da nisu zaglavljivi, te da li su dijelovi polomljeni ili tako oštećeni da negativno djeluju na funkciju uređaja. Popravite oštećene dijelove prije uporabe uređaja.** Mnoge nezgode imaju svoj uzrok u loše održanim uređajima.
 - f) **Rezne alate održavajte ostrim i čistim.**
Pažljivo održavani rezni alati s ostrim oštricama neće se zaglaviti i lakši su za vođenje.

- g) **Koristite električne alate, pribor, radne alate, itd., prema navedenim uputama. Pri tome uzmite u obzir radne uvjete i radove koje se izvode.** Uporaba električnih alata za neke druge primjene različite od predviđenih, može doći do opasnih situacija.

5) SERVIS

- a) **Popravak uređaja prepustite samo kvalificiranom stručnom osoblju i samo s originalnim rezervnim dijelovima.** Na taj se način postiže stalnu sigurnost uređaja.

UPUTE ZA SIGURAN RAD S BRUSILICAMA

- Izbjegavajte oštećenja od vijaka, čavala i sličnih predmeta na vašem izratku; prije početka rada ih izvadite
- Kabel uvijek držati dalje od rotirajućih dijelova uređaja; kabel povlačiti iza uređaja
- **Osigurajte izradak** (izradak je sigurnije pričvršćen pomoću stezaljke ili škripa nego da ga držite rukom)
- Čim se odmaknete od alata trebate ga isključiti, a pomični se dijelovi trebaju potpuno zaustaviti
- Upotrebljavajte samo neodmotane i zaštićene produžne kabele kapaciteta 16 ampera
- U slučaju neuobičajenog ponašanja uređaja ili neobičnih šumova, uređaj treba odmah isključiti i izvući utikač iz mrežne utičnice
- SKIL može osigurati besprijekoran rad uređaja samo ako se koristi odgovarajući pribor, koji se može dobiti u specijaliziranoj trgovačkoj mreži ili kod ovlaštenog distributera SKIL proizvoda
- Uređaj ne bi smjele koristiti osobe mlađe od 16 godina
- Razina buke kod rada može premašiti 85 dB(A); nositi štitičke za sluh
- **Uređaj držite samo na izoliranim ručkama jer remen može doći u dodir s vlastitim kabelom** (rezanje vodova pod naponom stavljaju metalne dijelove električnog alata pod napon, što bi dovelo do električnog udara)
- Ako se tijekom rada priključni kabel ošteti ili odreže, ne dirati priključni kabel, nego odmah izvući mrežni utikač
- Nikad ne upotrebljavajte alat kad su kabel oštećeni; neka iz zamijeni kvalificirana osoba
- Uvijek provjeriti da li se mrežni napon podudara s naponom sa tipske pločice uređaja (uređaji označeni s 230 V ili 240 V mogu raditi i na 220 V)
- Ovaj je uređaj nije prikladan za mokro brušenje
- **Ne obrađujte materijal koji sadrži azbest** (azbest se smatra kancerogenim)
- Prašina od materijala kao što su boje koje sadrže olovo, neke vrste drveća, minerali i metal mogu biti opasne (dodir s prašinom ili njeno udisanje mogu prouzročiti alergične reakcije i/ili respiratorna oboljenja rukovatelja ili posmatrača); **nosite masku za zaštitu od prašine i radite s uređajem za ekstrakciju prašine ukoliko ga možete priključiti**

- Određene vrste prašine klasificiraju se kao karcinogenske (kao što su prašina hrastovine i bukovine), osobito u sudejstvu s aditivima za kondicioniranje drveta; **nosite masku za zaštitu od prašine i radite s uređajem za ekstrakciju prašine ukoliko ga možete priključiti**
- Nacionalni uvjeti za materijale s kojima želite raditi
- Kod brušenja metala dolazi do iskrinja; ne koristite vrećicu za prašinu/usisavač prašine, a ostale osobe kao i zapaljive materijale držite dalje od radnog područja
- Ne dodirujte brusnu traku tijekom rada
- Ne koristite istrošene, oštećene ili jako zapunjene brusne trake
- Nosite zaštitne rukavice, zaštitne naočale, tijesno pripijenu odjeću i mrežicu za kosu (ako nosite dugu kosu)
- **Prije svih radova održavanja, podešavanja ili izmjene alata i pribora treba izvući utikač iz mrežne utičnice**

POSLUŽIVANJE

- Prekidač za uključivanje/isključivanje
 - uređaj uključite/isključite povlačenjem/optuštanjem prekidača A ②
 - ! **prije nego što brusna površina trake dodirne izradak, uređaj se treba prvo uključiti**
 - ! **prije isključivanja alata, isti se treba skinuti sa izratka**
- Aretiranje prekidača za stalan rad
 - povucite prekidač A ②
 - palcem pritisnite gumb B ②
 - otpustite prekidač
 - prekidač otključajte tako da prekidač A ② ponovo povučete, a zatim otpustite
- Kontrola brzine ④
Za optimalne rezultate brušenja na različitim materijalima
 - sa zapornim kotačićem C možete namjestiti željenu brzinu rezanja
 - radna brzina treba biti prilagođena zrnatosti brusnog papira
 - prije početka rada probnim brušenjem ustanovite optimalnu brzinu i zrnatost na probnom materijalu
- Zamjena brusnih traka ⑤
 - ! **izvući mrežni utikač**
 - podignite ručicu D
 - uklonite brusnu traku
 - novu traku umetnite tako da su strelice s unutarnje strane trake okrenute u smjeru strelice E prikazane na uređaju
 - ručicu gurnite natrag
 - ! **brusne trake mijenjajte pravodobno**
 - ! **ne savijajte brusne trake**
 - Kada se traka skida sa uređaja, treba se
 - uključite uređaj
 - okrenite gumb F ② tako da se brusna traka nalazi u ravnini s ravnom površinom uređaja
 - ako brusna traka i dalje spada s uređaja, zamijenite je novom

- Usisavanje prašine ⑥
 - priključiti vrećicu za prašinu G kako je prikazano (2 brzina)
 - redovito prazniti vrećicu za prašinu jamči se optimalno usisavanje prašine
 - kod uporabe uređaja sa usisavača prašine, priključak usisavača prašine H montirati kako je prikazano (3 brzina)
- ! **vrećicu za prašinu/usisavač prašine ne koristiti kod brušenja metala**
- Pomoćna drška ⑦
 - Koristite ručicu K za prilagošavanje pomocne drške J (2 brzina)
- Postavljanje brusnog okvira ⑧
 - za izjednačavanje površina bez ogrebotina ili žlijebova ugradite brusni okvir L, i provjerite je li dobro namješten
- ! **brusni okvir L se zagrije prilikom uporabe; ne dirati ga prije nego što se ohladi**
- ! **uklonite brusni okvir L prije spremanja alata**
- Držanje i vođenje uređaja ⑨
 - držite vaš uređaj paralelno s obrađivanom površinom
- ! **alat kod primjene, držati samo na sivo označenim područjima**
- ! **kod obrade površine ne djelovati prevelikim pritiskom na uređaj**
- ne nagibajte uređaj, na taj će se način izbjeći neželjeni tragovi brušenja
- otvore za strujanje zraka N ② držite nepokriveno

SAVJETI ZA PRIMJENU

- Pri brušenju neobrađenih drvenih površina uređaj pomičite ravnim pokretima, prateći šare drveta
- Pri brušenju svih drugih površina uređaj preko materijala pomičite ovalnim pokretima
- Pri stacionarnoj upotrebi uređaj pričvrstite na radnu površinu pomoću 2 stezaljke M
 - ! **priključiti vrećicu za prašinu G kako je prikazano**
 - ! **priključak usisavača prašine H montirati kako je prikazano**
- Nikad ne koristite istu brusnu traku za obradu drveta i metala
- Razina vibracija
 - Razina emitiranja vibracija navedena na poledini ovog naputka za uporabu izmijenjena je sukladno normiranom testu danom u EN 60745; ona se može koristiti za usporedbu jedne alatke s drugom, te preliminarnu procjenu izloženosti vibracijama pri uporabi alatke za navedene namjene
 - uporaba ove alatke za druge namjene ili s drugim ili slabo održavanim nastavcima, može u značajnoj mjeri **uvećati** razinu izloženosti
 - vrijeme tokom kojega je alatka isključena, ili je uključena ali se njome ne radi, može značajno **umanjiti** razinu izloženosti
- ! **zaštite se od posljedica vibracija održavanjem alatke i njezinih nastavaka, održavanjem Vaših ruku toplima, te organiziranjem Vaših obrazaca rada**

ODRŽAVANJE / SERVISIRANJE

- Održavajte čistim uređaj i kabel (osobito otvore za hlađenje N ②)
 - nakupljenu prašinu od brušenja očistite četkom
 - ! **prije čišćenja treba izvući mrežni utikač**
- Ukoliko usisavanje prašine više ne funkcionira ispravno, možete otvoriti kućište P prema prikazu na slici i ukloniti prašinu koja se nakupila ⑪
 - ! **prije čišćenja treba izvući mrežni utikač**
- Ako bi uređaj unatoč brižljivih postupaka izrade i ispitivanja ipak prestao raditi, popravak treba prepustiti ovlaštenom servisu za SKIL električne alate
 - uređaj treba **nerastavljeno** predati, zajedno s računom o kupnji u najbližu SKIL ugovornu servisnu radionicu (popise servisa, kao i oznake rezervnih dijelova uređaja možete naći na adresi www.skileurope.com)

ZAŠTITA OKOLIŠA

- **Električne alate, pribor i ambalažu ne bacajte u kućni otpad** (samo za EU-države)
 - prema Europskoj direktivi 2002/96/EG o staroj električnoj i elektroničkoj opremi i njenoj primjeni u skladu sa nacionalnim zakonom, istrošeni električni alati moraju se sakupljati odvojeno i odvesti u posebne pogone za reciklažu
 - na to podsjeća simbol ⑫ kada se javi potreba za odlaganjem

(SRB)

Tračna brusilica

7660

UPUTSTVO

- Ovaj alat je namenjen za suvo brušenje i uspešno uklanjanje drveta, plastike, metala, materijala za ispunu i obojenih površina
- Pažljivo pročitajte i sačuvajte ova uputstva za rukovanje ③

TEHNIČKI PODACI ①

ELEMENTI ALATA ②

- A** Prekidač za uključivanje/isključivanje
- B** Dugme za zaključavanje prekidača za uključivanje/isključivanje
- C** Toččić za izbor brzine brušenja
- D** Ručica za promenu brusnog papira
- E** Strelica
- F** Dugme za centriranje brusnog papira
- G** Kesa za prašinu
- H** Adapter za usisivač
- J** Pomoćna ručica

- K Ručica za podešavanje pomoćne ručice
- L Brusni okvir
- M Stezaljke prilikom stacionarne upotrebe
- N Prorezi za hlađenje

BEZBEDNOST

OPŠTA UPUTSTVA O SIGURNOSTI

PAŽNJA! Čitajte sva upozorenja i uputstva.

Propusti kod pridržavanja upozorenja i uputstava mogu imati za posledicu električni udar, požar i/ili teške povrede.

Čuvajte sva upozorenja i uputstva za budućnost.

Pojam upotrebljen u upozorenjima "električni alat" odnosi se na električne alate sa radom na mreži (sa mrežnim kablom) i na električne alate sa radom na akumulator (bez mrežnog kabla).

1) SIGURNOST NA RADNOM MESTU

- a) **Držite Vaše područje rada čisto i pospremijeno.**
Nered ili neosvetljena radna područja mogu voditi nesrećama.
- b) **Ne radite sa aparatom u okolini ugroženoj od eksplozija u kojoj se nalaze zapaljive tečnosti, gasovi ili prašine.** Električni alati proizvode varnice, koje mogu zapaliti prašinu ili isparenja.
- c) **Za vreme korišćenja električnog alata držite podalje decu i druge osobe.** Kod skretanja možete izgubiti kontrolu nad aparatom.

2) ELEKTRIČNA SIGURNOST

- a) **Utikač za priključak aparata mora odgovarati utičnoj kutiji.** Utikač se nesme nikako menjati. **Ne upotrebljavajte adaptere utikača zajedno sa aparatima sa uzemljenom zaštitom.** Ne promenjeni utikači i odgovarajuće utičnice smanjuju rizik od električnog udara.
- b) **Izbegavajte telesni kontakt sa uzemljenim gornjim površinama, kao što su cevi, grejanja, šporeti i rashladni ormani.** Postoji povećani rizik od električnog udara, ako je Vaše telo uzemljeno.
- c) **Držite aparat podalje od kiše ili vlage.** Prodiranje vode u električni aparat povećava rizik od električnog udara.
- d) **Ne koristite kabl da bi aparat nosili, obesili ili ga izvlačili iz utičnice.** Držite kabl dalje od vrelina, ulja, oštrih ivica ili pokretnih delova aparata. Oštećeni ili zamršeni kablovi povećavaju rizik od električnog udara.
- e) **Ako sa nekim električnim alatom radite u prirodi, upotrebljavajte samo produžne kablove koji su dozvoljeni za spoljno područje.** Upotreba produžnog kabla pogodnog za spoljno područje smanjuje rizik od električnog udara.
- f) **Ako rad električnog alata ne može da se izbegne u vlažnoj okolini, koristite prekidač strujne zaštite pri kvaru.** Upotreba prekidača strujne zaštite pri kvaru smanjuje rizik od električnog udara.

3) SIGURNOST OSOBA

- a) **Budite pažljivi, pazite na to, šta radite i idite razumno na posao sa električnim alatom.**
Ne upotrebljavajte aparat, kada ste umorni ili pod uticajem droga, alkohola ili lekova.
Momenat nepažnje kod upotrebe aparata može voditi do ozbiljnih povreda.
 - b) **Nosite ličnu zaštitnu opremu i uvek zaštitne naočare.** Nošenje lične zaštitne opreme, kao maske za prašinu, sigurnosne cipele koje ne klizaju, zaštitni šlem ili zaštitu za sluh, zavisno od vrste i upotrebe električnog alata, smanjujete rizik od povreda.
 - c) **Izbegavajte nenamerno puštanje u rad. Uverite se da je električni alat isključen, pre nego što ga priključite na struju i/ili na akumulator, uzmete ga ili nosite.**
Ako prilikom nošenja električnog alata držite prst na prekidaču ili aparat uključen priključujete na struju, može ovo voditi nesrećama.
 - d) **Uklonite alate za podešavanje ili ključeve za zavrtnje, pre nego što uključite aparat.** Alat ili ključ koji se nalazi u delu aparata koji se okreće, može voditi nesrećama.
 - e) **Ne precenjujte sebe. Pobrnite se da sigurno stojite i održavajte u svako doba ravnotežu.** Na taj način možete bolje kontrolisati aparat u neočekivanim situacijama.
 - f) **Nosite pogodno odelo. Ne nosite široko odelo ili nakit. Držite kosu, odelo i rukavice podalje od pokretnih delova.** Opušteno odelo, nakit ili duža kosa mogu biti zahvaćeni od rotirajućih delova.
 - g) **Ako se mogu montirati uređaji za usisavanje prašine i uređaji za hvatanje prašine, uverite se da li su priključeni i ispravno koriste.** Upotreba usisavanja prašine može smanjiti opasnosti od prašine.
- #### 4) BRIŽLJIVO OPHODJENJE I KORIŠĆENJE ELEKTRIČNIH ALATA
- a) **Ne preopterećujte aparat. Upotrebljavajte za Vaš posao električni alat odredjen za to.**
Sa odgovarajućim električnim alatom radićete bolje i sigurnije u navedenom području rada.
 - b) **Ne upotrebljavajte električni alat, čiji je prekidač u kvaru.** Električni alat koji više ne može da se uključi ili isključi je opasan i mora da se popravi.
 - c) **Izvcite utikač iz utičnice i/ili uklonite akumulator pre nego što preduzmete podešavanja na aparatu, promenu delova pribora ili ostavite aparat.**
Ova mera opreza sprečava nenamernan start aparata.
 - d) **Čuvajte nekorisćene električne alate izvan domašaja dece. Ne dopustite osobama da koriste aparat, koje ga ne poznaju ili nisu pročitale ova uputstva.**
Električni alati su opasni, ako ih koriste neiskusne osobe.
 - e) **Održavajte aparat brižljivo. Kontrolišite, da li pokretni delovi aparata funkcionišu besprekorno i ne slepljuju, da li su delovi slomljeni ili tako oštećeni, da je funkcija aparata oštećena. Popravite oštećene delove pre upotrebe aparata.** Mnoge nesreće imaju svoj uzrok u loše održanim električnim alatima.

- f) **Držite alate za sečenja oštre i čiste.**
Brižljivo negovani alati za sečenje sa oštrim sečivima manje slepljuju i lakše se vode.
- g) **Upotrebljavajte električne alate, pribor, alate koji se umeću itd. prema ovim uputstvima. Obratite pažnju pritom na uputstva za rad i posao koji treba izvesti.**
Upotreba električnih alata za druge od propisanih namena može voditi opasnim situacijama.
- 5) **SERVIS**
- a) **Neka Vam Vaš aparat popravlja samo kvalifikovano stručno osoblje i samo sa originalnim rezervnim delovima.** Na taj način se obezbeđuje da oстане sačuvana sigurnost aparata.

UPUTSTVA O SIGURNOSTI SA BRUSILICOM

- Izbegavajte oštećenja od šrafova, eksera i drugih predmeta na vašem području rada; uklonite ih pre nego što započnete rad
- Kabl uvek držite podalje od pokretnih delova alata; uvek ga treba držati iza alata
- **Obezbedite radni predmet** (radni predmet stegnut pomoću stega ili nečeg sličnog je mnogo stabilniji nego kada se drži rukom)
- Kada završite rad sa alatom, isključite motor i proverite da li su se zaustavili svi pokretni delovi
- Produžni kabl koji koristite mora da bude sasvim odmotan i siguran, sa kapacitetom od 16 A
- U slučaju da dođe do električnog ili mehaničkog kvara, odmah isključite alat i iskopčajte ga iz utičnice
- SKIL može priznati garanciju samo ukoliko je korišćen odgovarajući pribor koji možete da nabavite kod svog SKIL prodavca
- Ovaj alat ne treba da koriste osobe ispod 16 godina
- Buka koju alat proizvodi tokom rada može da premaši 85 dB(A); nosite zaštitu za sluh
- **Hvatajte električni alat za izolovane hvataljke zato što brusni papir može da dodirne svoj kabl** (presecanje žice pod naponom može da izloži metalne delove električnog alata naponu i izazove električni udar kod rukovaoca)
- Ako se kabl ošteti ili preseče u toku rada, odmah ga iskopčajte i nemojte ga dodirivati
- Nikada nemojte da koristite alat ako je kabl oštećen; zamenu kabla mora da obavi stručno lice
- Uvek proveravajte da li se napon struje poklapa sa naponom navedenim na samom alatu (alati na kojima je naveden napon od 230V ili 240V mogu da rade i na 220V)
- Ovaj alat nije podesan za mokro brušenje
- **Ne obradjujte nikakav materijal koji sadrži azbest** (azbest važi kao izazivač raka)
- Prašina od materijala, kao što su boja koja sadrži olovo, neke vrste drveta, minerali i metal, može biti opasna (dodir ili udisanje prašine može prouzrokovati alergijske reakcije i/ili respiratorna oboljenja rukovaoca i lica u blizini); **nosite masku protiv prašine i radite uz uključeni uređaj za ekstrakciju prašine kada radite na mestima gde ju je moguće priključiti**

- Određene vrste prašine su klasifikovane kao kancerogene (kao što su prašina hrastovine i bukovine), posebno u sadejstvu sa aditivima za pripremu drveta; **nosite masku protiv prašine i radite uz uključeni uređaj za ekstrakciju prašine kada radite na mestima gde ju je moguće priključiti**
- Prati nacionalne propise vezane za prašinu koja se proizvodi prilikom rada na obrađivanim materijalima
- Kod brušenja metala, dolazi do varničenja; nemojte da koristite kesu za prašinu/usisivač, a ostale osobe i zapaljivi materijali treba da budu dalje od područja rada
- Nemojte dodirivati brusni papir kada je alat uključen
- Nemojte da koristite istrošene, pohabane ili veoma zapušene brusne papire
- Nosite zaštitne rukavice, zaštitne naočari, odeću pripijenu uz telo i zaštitu za kosu (ukoliko je dugačka)
- **Obavezno iskopčajte alat iz električne utičnice pre nego što izvršite bilo kakva podešavanja ili zamenu pribora**

UPUTSTVO ZA KORIŠĆENJE

- Prekidač za uključivanje/isključivanje
 - uključite/isključite alat povlačenjem/otpuštanjem obarača A ②
 - ! **alat treba da uključite pre nego što brusna površina dodirne područje rada**
 - ! **uređaj treba da ga podignete sa područja rada pre nego što ga isključite**
 - Učvršćivanje prekidača za stalno bušenje
 - povucite obarač A ②
 - pritisnite dugme B ② palcem
 - pustite obarač
 - odključajte prekidač ponovnim povlačenjem obarača A ② i otpuštanjem
 - Kontrola brzine ④
Za optimalne rezultate brušenja različitih materijala
 - toččićem C možete da podesite željenu brzinu brušenja
 - prilagodite brzinu veličini zrnastosti koja se koristi
 - pre početka obavljanja posla, pronađite optimalnu brzinu i zrnastost tako što ćete ih testirati na višku materijala
 - Zamena brusnih papira ⑤
 - ! **iskopčajte utikač**
 - podignite ručicu D
 - uklonite brusni papir
 - umetnite novi brusni papir sa strelicama utisnutim sa unutrašnje strane usmerenim u istom pravcu kao i strelica E na alatu
 - gurnite ručicu unazad
 - ! **na vreme menjajte brusne papire**
 - ! **nikada nemojte savijati brusne papire**
- U slučaju da brusni papir spadne sa alata (uglavnom zbog lošijeg kvaliteta brusnog papira), trebalo bi da
- uključite alat
 - okrenite dugme F ② da bi se brusni papir poravnao sa ravnom stranom alata

- upotrebite novi brusni papir, ako stari još uvek spada sa alata
- Usisavanje prašine ⑥
 - montirajte kesu za prašinu G kao što je prikazano na slici (2 pozicija)
 - radi optimalnog usisavanja prašine redovno praznite kesu za prašinu
 - ako koristite alat sa usisivača, montirajte adapter za usisivač H kao što je prikazano na slici (3 pozicija)
- ! **nemojte da koristite kesu za prašinu/usisivač kada brusite metal**
- Pomoćna ručica ⑦
 - Koristite ručicu K za podešavanje pomoćne ručice J (2 pozicija)
- Postavljanje brusnog okvira ⑧
 - postavite brusni okvir L za izjednačavanje površina bez ogrebotina ili žlebova, i proverite da li je dobro namešten
- ! **brusni okvir L zagreva se prilikom upotrebe; ne dodirujte ga dok se ne ohladi**
- ! **uklonite brusni okvir L pre odlaganja alata**
- Držanje i upravljanje alata ⑨
 - držite alat paralelno sa površinom koju obrađujete
- ! **dok radite, uvek držite alat za mesto(a) koja(a) su označena sivom bojom**
- ! **nemojte mnogo da pritiskate električni alat na površinu za brušenje**
 - nemojte da naginjete alat, da biste izbegli pojavljivanje neželjenih tragova brušenja
 - prerezi za hlađenje N ② moraju da budu otvoreni

SAVETI ZA PRIMENU

- Prilikom brušenja neobrađenog drveta pomerajte alat pravolinijski prateći šare drveta
- Prilikom brušenja svih ostalih površina pomerajte alat kružnim pokretima
- Prilikom stacionarne upotrebe postavite alat na radnu površinu pomoću 2 stezaljke M
 - ! **montirajte kesu za prašinu G kao što je prikazano na slici**
 - ! **montirajte adapter za usisivač H kao što je prikazano na slici**
- Nemojte nikada da koristite isti brusni papir za drvo i metal
- Nivo vibracija
 - Nivo emisije vibracija naznačen na poledini ovog uputstva za upotrebu izmeren je u skladu sa standardizovanim testom datim u EN 60745; on se može koristiti za upoređenje jedne alatke sa drugom, kao i za preliminarnu procenu izloženosti vibracijama pri korišćenju ove alatke za pomenute namene
 - korišćenje alatke u drugačije svrhe ili sa drugačijim ili slabo održanim nastavcima može značajno **povećati** nivo izloženosti
 - vreme kada je alatka isključena ili kada je uključena, ali se njome ne radi, može značajno **smanjiti** nivo izloženosti

! **zaštite se od posledica vibracija održavanjem alatke i njenih nastavaka, održavajući Vaše ruke toplim i organizovanjem Vaših radnih obrazaca**

ODRŽAVANJE / SERVIS

- Alat i kabl uvek održavajte čistim (posebno otvore za hlađenje N ②)
 - četkicom uklonite nakupljenu prašinu od brušenja
- ! **pre čišćenja iskopčajte kabl iz utičnice**
- Ako usisavanje prašine više nije pravilno, možete da otvorite deo kućišta P kao na slici i skinete prašinu od brušenja koja se možda nakupila ⑩
 - ! **pre čišćenja iskopčajte kabl iz utičnice**
- Ako bi alat i pored brižljivog postupka izrade i kontrole nekada otkazao, popravku mora vršiti neki autorizovani servis za SKIL-električne alate
 - pošaljite **nerastavljeni** alat zajedno sa potvrdom o kupovini vašem nabavljaču ili najbližem SKIL servisu (adrese i oznake rezervnih delova možete naći na www.skileurope.com)

ZAŠTITA OKOLINE

- **Električne alate, pribora i ambalaže ne odlažite u kućne otpatke** (samo za EU-države)
 - prema Evropskoj direktivi 2002/96/EG o staroj električnoj i elektronskoj opremi i njenoj upotrebi u skladu sa nacionalnim pravom, električni alati koji su istrošeni moraju biti sakupljeni odvojeno i dostavljeni pogonu za reciklažu
 - simbol ⑫ će vas podsetiti na to

SLO

Tračni brusilnik

7660

UVOD

- Orodje je namenjeno za suho brušenje z velikim učinkom odstranjavanja lesa, plastike, kovine, polnil in barvanih površin
- Preberite in shranite navodila za uporabo ③

LASTNOSTI ①

DELI ORODJA ②

- A** Stikalo vklopi/izklopi
- B** Gumb za aretacijo stikala za vklop/izklop
- C** Kolesce za izbori hitrosti brušenja
- D** Ročica za zamenjavo brusnega traku
- E** Puščica
- F** Gumb za prilagoditev centriranja brusnega traku
- G** Vrečka za prah
- H** Adapter za sesalnik
- J** Pomožna ročka
- K** Ročica za nastavitev pomožne ročice
- L** Okvir za brušenje
- M** Sponki za stacionarno uporabo
- N** Ventilacijske reže

VARNOST

SPLOŠNA VARNOSTNA NAVODILA

⚠ OPOZORILO! Preberite vsa opozorila in napotila.

Napake zaradi neupoštevanja spodaj navedenih opozoril in napotil lahko povzročijo električni udar, požar in/ali težke telesne poškodbe. **Vsa opozorila in napotila shranite, ker jih boste v prihodnje še potrebovali.**

Pojem "električno orodje", ki se pojavlja v nadaljnjem besedilu, se nanaša na električna orodja z električnim pogonom (z električnim kablom) in na akumulatorska električna orodja (brez električnega kabla).

1) VARNOST NA DELOVNEM MESTU

- a) **Poskrbite, da bo Vaše delovno mesto vedno čisto in urejeno.** Nered ali neosvetljena delovna področja lahko povzročijo nezgode.
- b) **Prosimo, da orodja ne uporabljate v okolju, kjer je nevarnost za eksplozije in v katerem se nahajajo gorljive tekočine, plini ali prah.** Električna orodja povzročajo iskrenje, zato se gorljivi prah ali pare lahko vnamejo.
- c) **Ne dovolite otrokom in drugim osebam, da bi se medtem ko delate, približali električnemu orodju.** Druge osebe lahko odvrnejo Vašo pozornost drugam in izgubili boste nadzor nad električnim orodjem.

2) ELEKTRIČNA VARNOST

- a) **Vtič mora ustrezati električni vtičnici in ga pod nobenim pogojem ne smete spreminjati.** Uporaba adapterskih vtičev v kombinaciji z ozemljenimi orodja ni dovoljena. Originalni oziroma nespremenjeni vtiči in ustrezne vtičnice zmanjšujejo tveganje električnega udara.
- b) **Izogibajte se telesnemu stiku z ozemljenimi površinami, na primer s cevmi, grelci, štedilniki in hladilniki.** Če je ozemljeno tudi vaše telo, obstaja povečano tveganje električnega udara.
- c) **Zavarujte orodje pred dežjem ali vlago.** Vdor vode v električno orodje povečuje tveganje električnega udara.
- d) **Električnega kabla ne uporabljajte za prenašanje ali obešanje orodja in ne vlecite vtič iz vtičnice tako, da vlečete za kabel.** Zavarujte kabel pred vročino, oljem, ostrimi robovi in premikajočimi se deli orodja. Poškodovani ali prepleteni kabli povečujejo tveganje električnega udara.
- e) **Če z električnim orodjem delate na prostem, uporabljajte izključno kabelski podaljšek, ki je atestiran za delo na prostem.** Uporaba kabelskega podaljška, primernega za delo na prostem, zmanjšuje tveganje električnega udara.
- f) **Če je uporaba električnega orodja v vlažnem okolju neizogibna, uporabljajte prekinjevalec električnega tokokroga.** prekinjevalca električnega tokokroga zmanjšuje tveganje električnega udara.

3) OSEBNA VARNOST

- a) **Bodite zbrani in pazite, kaj delate. Dela z električnim orodjem se lotite razumno. Nikoli ne uporabljajte orodja, če ste utrujeni in če ste pod vplivom mamil, alkohola ali zdravil.** En sam trenutek nepazljivosti pri uporabi orodja ima lahko za posledico resne telesne poškodbe.
 - b) **Uporabljajte osebna zaščitna sredstva in vedno nosite zaščitna očala.** Uporaba osebnih zaščitnih sredstev, na primer maske proti prahu, nedrsečih zaščitnih čevljev, zaščitne čelade in glušnikov, odvisno od vrste in uporabe električnega orodja, zmanjšuje tveganje telesnih poškodb.
 - c) **Izogibajte se nenamernemu zagonu.** Pred priključitvijo električnega orodja na električno omrežje in/ali na akumulator in pred dviganjem ali nošenjem se prepričajte, če je električno orodje izklopljeno. Prenašanje naprave s prstom na stikalu ali priključitev vklopljenega električnega orodja na električno omrežje je lahko vzrok za nezgodo.
 - d) **Pred vklopom orodja odstranite z nje nastavitvena orodja ali vijaki ključ.** Orodje ali ključ, ki se nahajata na vrtečem se delu električnega orodja, lahko povzročita nezgodo.
 - e) **Ne precenjujte se in poskrbite za varno stojišče in stalno ravnotežje.** Tako boste lahko v nepričakovani situaciji bolje obvladali orodje.
 - f) **Nosite primerno obleko, ki naj ne bo preohlapna. Ne nosite nakita. Lasje, oblačilo in rokavice naj se ne približujejo premikajočim se delom orodja.** Premikajoči se deli orodja lahko zgrabijo ohlapno obleko, nakit, ali dolge lase.
 - g) **Če je možno na orodje namestiti priprave za odsesavanje in prestrezanje prahu, prepričajte se, ali so le-te priključene in, če jih pravilno uporabljate.** Uporaba priprave za odsesavanje prahu zmanjšuje zdravstveno ogroženost zaradi prahu.
- ### **4) RAVNANJE IN NEGA ROČNEGA ORODJA**
- a) **Ne preobremenjujte orodja. Za določeno delo uporabljajte električno orodje, ki je predvideno za opravljanje tega dela.** Z ustreznim električnim orodjem boste delo opravili bolje in varneje, ker je bilo v ta namen tudi konstruirano.
 - b) **Električno orodje, ki ima pokvarjeno stikalo, ne uporabljajte.** Električno orodje, ki ga ni možno vklopiti ali izklopiti, je nevarno in ga je potrebno popraviti.
 - c) **Pred nastavljanjem naprave, zamenjavo delov pribora ali odlaganjem naprave izvlecite vtičač iz električne vtičnice in/ali odstranite akumulator.** Ta previdnostni ukrep onemogoča nepredviden zagon orodja.
 - d) **Kadar orodje ne uporabljate ga shranjujte izven dosega otrok. Osebam, ki orodja ne poznajo ali niso prebrale teh navodil, orodja ne dovolite uporabljati.** Električna orodja so nevarna, če jih uporabljajo neizkušene osebe.

- e) **Skrbno negujte orodje. Preverite, če premikajoči se deli orodja delujejo brezhibno in če se ne zatikajo, oziroma, če kakšen del orodja ni zlomljen ali poškodovan do te mere, da bi oviral njegovo delovanje. Pred nadaljnjo uporabo je potrebno poškodovani del popraviti.** Vzrok za številne nezgode so ravno slabo vzdrževana električna orodja.
 - f) **Rezalna orodja naj bodo ostrina in čista.** Skrbno negovana rezalna orodja z ostrimi rezili se manj zatikajo in so bolj vodljiva.
 - g) **Električna orodja, pribor, nastavke in podobno uporabljajte v skladu s temi navodili. Pri tem upoštevajte delovne pogoje in vrsto dela, ki ga nameravate opraviti.** Zaradi uporabe električnega orodja v druge, nepredvidene namene, lahko nastanejo nevarne situacije.
- 5) SERVIS**
- a) **Popravilo orodja lahko opravi samo usposobljena strokovna oseba in to izključno z originalnimi nadomestnimi deli.** Le tako bo ohranjena nadaljnja varnost orodja.

VARNOSTNA NAVODILA ZA UPORABO BRUSLNIKA

- Izogibajte se poškodb zaradi vijakov, žbljev ali drugih elementov v obdelovancu; odstranite jih pred začetkom dela
- Kabel naj bo vedno odmaknjen od gibljivih delov stroja; usmerite ga proti zadnjemu delu, stran od stroja
- **Zavarujte obdelovanec** (obdelovanec stisnjen v prižemi ali primežu je bolj varen kot v roki)
- Ko orodje postavite v stran, izklopite motor in pazite, da se vsi premikajoči se deli orodja popolnoma zaustavijo
- Uporabljajte povsem iztegnjene in varne električne podaljške, z jakostjo 16 amperov
- Če pride do električnih ali mehanskih okvar, takoj izklopite stroj in izvlecite vtičak iz vtičnice
- SKIL zagotavlja brezhibno delovanje orodja le z uporabo pravega dodatnega pribora, ki ga dobite pri SKIL-ovih trgovcih
- Orodja naj ne bi uporabljale osebe mlajše od 16 let
- Med delom lahko nivo hrupa presega 85 dB(A); uporabljajte zaščito proti hrupu
- **Orodje držite za izolirane dele ročaja za primer, če med delom pride orodje v stik z lastnim priključnim kablom** (stik z vodnikom pod napetostjo povzroči, da so pod napetostjo tudi izpostavljeni kovinski deli orodja, kar lahko povzroči električni udar za uporabnika)
- Če je priključni kabel poškodovan ali se med delom pretrga se ga ne dotikajte, temveč takoj potegnite električni vtičak iz vtičnice
- Nikoli ne uporabljajte orodja, če je kabel poškodovan; okvaro naj odpravi strokovnjak
- Pred uporabo preverite, če se omrežna napetost ujema z napetostjo navedeno na tablici orodja (orodje označene z napetostjo 230V in 240V se lahko priključijo tudi na 220V)
- To orodje ni primerno za uporabo v mokrih okoljih

- **Ne obdelujte materiala, ki vsebuje azbest** (azbest povzroča rakasta obolenja)
- Prah materialov, kot so barve, ki vsebujejo svinec, nekatere vrste lesa, mineralov ali kovin so lahko škodljivi (ob stiku ali vdihavanju lahko prah pri delavcu ali pri drugih prisotnih povzroči alergijsko reakcijo in/ali bolezni dihal); **nosite masko za prah in pri delu uporabljajte napravo za odsesavanje prahu, kjer je le-to možno priključiti**
- Nekatero vrsto prahu so klasificirane kot kancerogene (kot npr. prah hrasta in bukke) še posebno ob sočasni uporabi z dodatki za obdelavo lesa; **nosite masko za prah in pri delu uporabljajte napravo za odsesavanje prahu, kjer je le-to možno priključiti**
- Upoštevajte nacionalne zahteve glede prahu za materiale katere želite obdelovati
- Pri brušenju kovinskih delov se iskri; ne uporabljajte vrečke za prah/sesalnika z delovnega področja odstranite vnetljive materiale in ne dovolite, da se področju dela približujejo druge osebe
- Ne dotikajte se brusnega traku, ko se le-ta giblje
- Ne nadaljujte delo z izrabljenim, poškodovanim ali močno nagubanim brusnim trakom
- Uporabljajte zaščitne rokavice, zaščitna očala, tesno oprijeta oblačila in zaščito za lase (velja za dolge lase)
- **Vedno izvlecite električni vtičak iz vtičnice preden spreminjate nastavitve ali menjate pribor**

UPORABA

- Stikalo vklopi/izklopi
 - izklopite/vklopite orodje tako, da pritisnete/sprostite stikalo A ②
- ! **orodje bi morali vklopiti, preden se z brusno površino dotaknete predmeta, ki ga obdelujete**
- ! **preden orodje izklopite, bi ga morali odmakniti od predmeta, ki ga obdelujete**
- Aretacija stikala
 - pritisnite stikalo A ②
 - s palcem pritisnite gumb B ②
 - sprostite stikalo
 - aretacijo stikala prekinete s ponovnim pritiskom in sprostijo stikala A ②
- Nastavitev hitrosti ④
 - Za optimalne rezultate na različnih materialih
 - z kolescem C lahko naravnate zeleno hitrost brušenja
 - nastavite hitrost glede na granulacijo papirja
 - pred pričetkom dela poiščite najprimernejšo hitrost in granulacijo brusnega papirja na testnem obdelovancu
- Menjava brusnega traku ⑤
 - ! **izključite vtičak**
 - dvignite ročico D
 - odstranite brusni trak
 - namestite nov brusni trak tako, da bodo natisnjene puščice na notranji strani traku obrnjene v isto smer kot puščica E na orodju
 - pritisnite ročico nazaj
 - ! **brusni trak zamenjajte pravočasno**

! nikoli ne pregibajte brusnih trakov

V primeru uhajanja traku s tekalne površine na orodju (največkrat je vzrok v nezadovoljivi kvaliteti traku), napravite naslednje:

- vklopite orodje
- obrnite gumb F ② dokler brusni trak ne teče poravnano z ravno stranjo orodja
- če trak še vedno uhaja s tekalne površine, vzemite novega

• Odsesavanje prahu ⑥

- namestite vrečko za prah G, kot je prikazano (2 stopenji)
- redno praznite vrečko za prah za najboljše delovanje
- če uporabljate orodje s sesalnikom za prah namestite adapter za sesalnik H, kot je prikazano (3 stopenji)

! vrečko za prah/sesalnika ne uporabljajte pri brušenju kovine

• Pomožna ročka ⑦

Z ročico K nastavite pomožne ročke J (2 stopenji)

• Namestitvev brusnega okvirja ⑧

- namestite brusni okvir L, da bi izravnali površino brez prask ali brazd, in se prepričajte, da se pravilno na svojem mestu

! brusni okvir L se med uporabo segreva; ne dotikajte se ga dokler se ne ohladi

! odstranite brusni okvir L preden orodje shranite

• Držanje in vodenje orodja ⑨

- orodje naj teče vzporedno z delovno površino
- ! med delom vedno držite orodje za sivo obarvano mesto prijema
- ! na brusilnik ne pritiskajte premočno; naj to namesto vas naredi brusna površina
- da bi se izognili neželenim brusnim madežem, orodja med delom ne nagibajte
- ventilacijske reže N ② morajo biti nepokrite

UPORABNI NASVETI

- Za brušenje golih lesenih površin orodje premikajte v ravnih gibih v smeri vlaken
- Za brušenje ostalih površin orodje premikajte v ovalnih gibih po obdelovancu
- Za stacionarno uporabo pričvrstite orodje na delovno mizo s 2 sponkama M
- ! namestite vrečko za prah G, kot je prikazano
- ! namestite adapter za sesalnik H, kot je prikazano
- Nikoli ne uporabite istega brusnega traku za les in kovino
- Raven vibracij
Raven oddajanja vibracij, navedena na zadnji strani teh navodil za uporabo je bila izmerjena v skladu s standardiziranimi testi, navedenimi v EN 60745; uporabiti jo je mogoče za primerjavo različnih orodij med seboj in za predhodno primerjavo izpostavljenosti vibracijam pri uporabi orodja za namene, ki so omenjeni
- uporaba orodja za drugačne namene ali uporaba skupaj z drugimi, slabo vzdrževanimi nastavki lahko znatno poveča raven izpostavljenosti

- čas, ko je orodje izklopljeno ali ko teče, vendar z njim ne delamo, lahko znatno zmanjša raven izpostavljenosti

! pred posledicami vibracij se zaščitite z vzdrževanjem orodja in pripadajočih nastavkov, ter tako, da so vaše roke tople, vaši delovni vzorci pa organizirani

VZDRŽEVANJE / SERVISIRANJE

- Priključni kabel in orodje naj bosta vedno čista (posebej še prezračevalne odprtine N ②)
 - brusni prah odstranjajte s ščetko
 - ! izvlecite vtičač iz vtičnice pred čiščenjem
- Če funkcija za odsesavanje prahu ne deluje več pravilno, lahko odprete del ohišja P, kot kaže slika, in odstranite morebiten nabran prah zaradi brušenja ⑪
- ! izvlecite vtičač iz vtičnice pred čiščenjem
- Če bi kljub skrbnim postopkom izdelave in preizkušanja prišlo do izpada delovanja orodja, naj popravilo opravi servisna delavnica, pooblaščenca za popravila SKILevih električnih orodij
 - pošljite nerazstavljeno orodje skupaj s potrdilom o nakupu pri vašemu prodajalcu v najbližjo SKIL servisno delavnico (naslovi, kot tudi spisek rezervnih delov se nahaja na www.skileurope.com)

OKOLJE

- Električnega orodja, pribora in embalaže ne odstranjujte s hišnimi odpadki (samo za države EU)
 - v skladu z Evropsko direktivo 2002/96/EG o odpadni električni in elektronski opremi in z njenim izvajanjem v nacionalni zakonodaji je treba električna orodja ob koncu njihove življenjske dobe ločeno zbirati in jih predati v postopek okolju prijaznega recikliranja
 - ko je potrebno odstranjevanje, naj vas o načinu spomni simbol ⑫

EST

Lintlihvmasinad

7660

SISSEJUHATUS

- See on tõhus tööriist, mis on ette nähtud puit-, plast-, metall-, pahteldatud ja värvitud pindade lihvimiseks
- Palun lugege käesolevat kasutusjuhend hoolikalt läbi ja hoidke alles ⑬

TEHNILISED ANDMED ①

SEADME OSAD ②

- A Tööüliliti (sisse/välja)
- B Sisse-/väljalülitusnupu lukustusnupp
- C Lihvimiskiruse fikseerimisratta
- D Lihvimislindi pingutusshoob

- E Nool
- F Lindi tsentreerimise reguleernupp
- G Tolmukott
- H Tolmuimejaadapteri
- J Lisakäepide
- K Hoob lisakäepideme reguleerimiseks
- L Lihvimisraam
- M Klambrid statsionaarseks kasutuseks
- N Õhutusavad

TÕOOHUTUS

ÜLDISED OHUTUSJUHISED

⚠ TÄHELEPANU! Kõik ohutusnõuded ja juhised tuleb läbi lugeda. Ohutusnõuete ja juhiste eiramise tagajärjeks võib olla elektrilöök, tulekahju ja/või rasked vigastused. Hoidke kõik ohutusnõuded ja juhised edasiseks kasutamiseks hoolikalt alles. Alpool kasutatud mõiste "elektriline tööriist" käib võrgutoitega (toitejuhtmega) elektriliste tööriistade ja akutoitega (ilma toitejuhtmeta) elektriliste tööriistade kohta.

1) OHUTUSNÕUDED TÕOPIIRKONNAS

- a) Hoidke töökoht puhas ja korras. Segadus või valgustamata tööpiirkonnad võivad põhjustada õnnetusi.
- b) Ärge kasutage seadet plahvatusohtlikus keskkonnas, kus leidub tuleohtlikke vedelikke, gaase või tolmu. Elektrilistest tööriistadest lööb sädemeid, mis võivad tolmu või auru süüdata.
- c) Kui kasutate elektrilist tööriista, hoidke lapsed ja teised isikud töökohast eemal. Kui Teie tähelepanu kõrvale juhitakse, võib seade Teie kontrolli alt väljuda.

2) ELEKTRIOHUTUS

- a) Seadme pistik peab pistikupesast sobima. Pistiku kallal ei tohi teha mingeid muudatusi. Ärge kasutage kaitsemaandusega seadmete puhul adapterpistikuid. Muutmata pistikud ja sobivad pistikupesad vähendavad elektrilöögi saamise riski.
- b) Vältige kehakontakti maandatud pindadega, nagu torud, radiaatorid, pliidid ja külmikud. Kui Teie keha on maandatud, on elektrilöögi risk suurem.
- c) Hoidke seadet vihma ja niiskuse eest. Kui elektriseadmesse on sattunud vett, on elektrilöögi saamise risk suurem.
- d) Ärge kasutage toitejuhet selleks mitte ettenähtud otstarbel seadme kandmiseks, ülesriputamiseks ega pistiku pistikupesast väljatõmbamiseks. Hoidke toitejuhet kuumuse, õli, teravate servade ja seadme liikuvate osade eest. Kahjustatud või keerduläänud toitejuhtmed suurendavad elektrilöögi saamise riski.
- e) Kui töötate elektrilise tööriistaga vabas õhus, kasutage ainult selliseid pikendusjuhtmeid, mida on lubatud kasutada ka välistingimustes. Välistingimustes kasutamiseks sobiva pikendusjuhtme kasutamine vähendab elektrilöögi saamise riski.

- f) Kui elektrilise tööriista kasutamine niiskes keskkonnas on vältimatu, kasutage maandusega lekkevoolukaitset. Maandusega lekkevoolukaitseme kasutamine vähendab elektrilöögi ohtu.

3) INIMESTE TURVALISUS

- a) Olge tähelepanelik, jälgige, mida Te teete, ning toimige elektrilise tööriistaga töötades mõistlikult. Ärge kasutage seadet, kui olete väsinud või uimastite, alkoholi või ravimite mõju all. Hetkeline tähelepanematus seadme kasutamisel võib põhjustada tõsisid vigastusi.
 - b) Kandke isikukaitsevahendeid ja alati kaitseprille. Isikukaitsevahendite, nagu tolmu mask, libisemiskindlad, turvajalatsid, kaitsekiiver või kuulmiskaitsevahendid, kandmine – sõltuvalt elektrilise tööriista tüübist ja kasutusala – vähendab vigastuste riski.
 - c) Vältige seadme tahtmatut käivitamist. Enne pistiku ühendamist pistikupesast, aku ühendamist seadme külge, seadme ülestõstmist ja kandmist veenduge, et elektriline tööriist on välja lülitatud. Kui hoiate elektrilise tööriista kandmisel sõrme lülilil või ühendate vooluvõrku sisselülitatud seadme, võivad tagajärjeks olla õnnetused.
 - d) Enne seadme sisselülitamist eemaldage selle küljest reguleerimis- ja mutrivõtmed. Seadme pöörleva osa küljes olev reguleerimis- või mutrivõti võib põhjustada vigastusi.
 - e) Ärge hinnake end üle. Võtke stabiilne tööasend ja hoidke kogu aeg tasakaalu. Nii saate seadet ootamatutes olukordades paremini kontrollida.
 - f) Kandke sobivat rõivastust. Ärge kandke laiu riideid ega ehteid. Hoidke juuksed, rõivad ja kindad seadme liikuvatest osadest eemal. Lotendavad riided, ehted või pikad juuksed võivad sattuda seadme liikuvate osade vahele.
 - g) Kui on võimalik paigaldada tolmu eemaldus- ja tolmu kogumisseadiseid/seadmeid, veenduge, et need oleksid seadmega ühendatud ja et neid kasutataks õigesti. Tolmu eemaldusseadise kasutamine vähendab tolmu põhjustatud ohte.
- #### 4) ELEKTRILISTE TÕOVIISTADE HOOLIKAS KÄSITSEMINE JA KASUTAMINE
- a) Ärge koormake seadet üle. Kasutage töö tegemiseks selleks ettenähtud elektrilist tööriista. Sobiva elektrilise tööriistaga töötate paremini ja turvalisemalt ettenähtud võimsusvahemikus.
 - b) Ärge kasutage elektrilist tööriista, mille lülilil on rikkis. Elektriline tööriist, mida ei ole enam võimalik sisse ja välja lülitada, on ohtlik ning seda tuleb remontida.
 - c) Tõmmake pistik pistikupesast välja ja/või eemaldage seadme aku enne seadme reguleerimist, tarvikute vahetamist ja seadme ärapanekut. See ettevaatusabinõu väldib seadme tahtmatut käivitamist.

- d) **Hoidke kasutusel mitteolevaid elektrilisi tööriistu lastele kättesaamatult. Ärge laske seadet kasutada isikutel, kes seda ei tunne või pole siintoodud juhiseid lugenud.** Kogenematute kasutajate käes kujutavad elektrilised tööriistad ohtu.
- e) **Hoolitsege seadme eest. Kontrollige, kas seadme liikuvad osad funktsioneerivad korralikult ja ei kiildu kiini, ning ega mõned osad ei ole katki või sel määral kahjustatud, et võiksid piirata seadme funktsioneerimist. Laske kahjustatud osad enne seadme kasutamist parandada.** Paljude õnnetuste põhjuseks on halvasti hooldatud elektrilised tööriistad.
- f) **Hoidke löiketarvikud teravad ja puhtad.** Hoolikalt hoitud, teravate löikeservadega löiketarvikud kiilduvad harvemini kinni ja neid on lihtsam juhtida.
- g) **Kasutage elektrilist tööriista, lisavarustust, tarvikuid jne vastavalt siintoodud juhistele ning nii. Arvestage seejuures töötingimuste ja teostatava töö iseloomuga.** Elektriliste tööriistade kasutamine mitte ettenähtud otstarbel võib põhjustada ohtlikke olukordi.
- 5) **TEENINDUS**
- a) **Laske seadet parandada ainult kvalifitseeritud spetsialistidel ja ainult originaalvaruosadega.** Nii tagate seadme püsimise turvalisena.

OHUTUSJUHISED LIHVASINATE KOHTA

- Vältige töödeldavas esemes olevatest kruvidest, naeltest vms põhjustatud kahjustusi; eemaldage need enne töö alustamist
- Vältige toitejuhtme kokkupuutumist seadme pöörlevate osadega; hoidke toitejuhet alati tööriistast eemal, tagapool
- Fikseerige toorik** (fiksaatoriga kinnitatud või kruustangide vahele pandud toorik püsib kindlamini paigal kui lihtsalt käega hoides)
- Enne tööriista juurest lahkumist lülitage see välja ning oodake, kuni selle liikuvad osad on täielikult seiskunud
- Pikendusjuhtmete kasutamisel jälgige, et juhe oleks lõpuni lahti keritud ja vastaks 16 A voolutugevusele
- Seadme elektrilise või mehhaanilise häire korral lülitage seade viivitamatult välja ja eemaldage pistik vooluvõrgust
- SKIL tagab seadme häireteta töö üksnes sobivate tarvikute kasutamisel, mis on saadaval meie edasimüüjate juures või SKILi lepingulistest töökodades
- Antud tööriista kasutaja peab olema vähemalt 16 aastat vana
- Töötamise ajal võib müratase ületada 85 dB(A); kandke kuulmiskaitsevahendeid
- Hoidke elektritööriista kinni isoleeritud haardepinnast, kuna lint võib puutuda kokku tööriista enda juhtmega** (voolu all oleva juhtme löikamisel võivad elektritööriista metallosad pingestuda ja anda operaatorile elektrilöögi)
- Kui toitejuhe saab töötamise ajal kahjustada või see lõigatakse läbi, ärge toitejuhet puutuge, vaid eemaldage koheselt pistik vooluvõrgust

- Ärge kunagi kasutage kahjustatud toitejuhtmega tööriista; laske see remonditöökojas välja vahetada
- Kontrollige, et võrgupinge vastaks tööriista andmesildile märgitud pingele (andmesildil lubatud 230 V või 240 V seadmeid võib kasutada ka 220 V pingel korral)
- Antud tööriist ei sobi märglihvimiseks
- Asbestisaldava materjali töötlemine on keelatud** (asbest võib tekitada vähki)
- Värviga kaetud juhtmed, mõned puiduligid, mineraalid ja metall eraldavad tolmu, mis võib olla kahjulik (kokkupuude tolmuga või selle sissehingamine võib seadme kasutajal või läheduses viibival inimesel põhjustada allergilisi reaktsioone ja/või hingamisteede haigusi); **kandke tolmumaski ja töötage vajadusel ühendatava tolmueemaldusseadmega**
- Teatud tüüpi tolm on klassifitseeritud kantserogeensena (nt tammest ja kasest eralduv tolm), eriti koos puidu niiskuse reguleerimiseks kasutatavate lisanditega; **kandke tolmumaski ja töötage vajadusel ühendatava tolmueemaldusseadmega**
- Erinevate materjalide töötlemisel tekkinud tolmu suhtes tuleb järgida riigis kehtivaid nõudeid
- Metallide lihvimisel lendub sädemeid; ärge kasutage tolmukotti/toimuimejat ning jälgige, et läheduses ei oleks teisi inimesi ega tuleohtlikke materjale
- Vältige kokkupuudet jooksva lihvimisliindiga
- Ärge kasutage ülemäära kulunud, rebenenud või muul viisil vigastatud lihvimislinte
- Kandke kaitsekindaid ja -prille, pikad juuksed kaitske nt juuksevärviga; ärge kandke töö ajal laiu, lotendavaid riideid
- Enne seadme reguleerimist või tarviku vahetust eemaldage seade vooluvõrgust (tõmmake pistik pistikupesast välja)**

KASUTAMINE

- Töölülitit (sisse/välja)
 - seadme sisselülitamiseks/väljalülitamiseks vajutage/vabastage töölülitile A ②
 - ! enne lihvitava pinna kokkupuutumist töödeldava esemega tuleb tööriist sisse lülitada**
 - ! enne tööriista väljalülitamist tuleb see töödeldavalt esemelt eemaldada**
- Lülitit lukustamine pidevaks tööks
 - vajutage töölülitile A ②
 - vajutage pöidlaga nupule B ②
 - vabastage töölülitit
 - fikseeringu vabastamiseks vajutage uuesti töölülitile A ② ja vabastage see
- Kiiruse kontroll ④
 - Optimaalse lihvimistulemuse saamiseks erinevatel materjalidel
 - fikseerimisratta C abil saate kindlaks määrata soovitud lihvimiskiiruse
 - töökirus peab vastama lihvipaperi teralisusele
 - enne töö alustamist katsetage optimaalset kiirust ja teralisust proovimaterjalil

- Lihvimislintide vahetamine ⑤
 - ! eemaldage seade vooluvõrgust
 - vabastage pingutushoob D
 - eemaldage lihvimislint
 - paigaldage uus lihvimislint, jälgides, et lindi siseküljel olevate noolte ja tööriistal oleva noole E suunad ühtiksid
 - suruge pingutushoob oma asendisse tagasi
 - ! vahetage lihvimislinti õigeaegselt
 - ! ärge kunagi murdke lihvimislinti
- Kui lint jookseb tööriistalt maha (põhjuseks enamasti lindi kehv kvaliteet), tuleks toimida järgnevalt
 - lülitage seade sisse
 - keerake nuppu F ② kuni lint kulgeb tööriista lameda küljega paralleelselt
 - kui lint jookseb ikka tööriistalt maha, võtke kasutusele uus lint
- Tolmu eemaldamine ⑥
 - paigaldage sinna tolmuikotti G nagu joonisel näidatud (2 asendit)
 - tühjendage tolmuikoti regulaarselt tagab optimaalse tolmuimevõimsuse säilimise
 - tööriista kasutamisel tolmuimejaga või ilma paigaldage tolmuimeja adapter H nagu joonisel näidatud (3 asendit)
 - ! ärge kasutage tolmuikotti/tolmuimejat metalli lihvimisel
- Lisakäepide ⑦
 - Lisakäepideme J reguleerimiseks kasutage hoobaga K (2 asendit)
- Lihvimisraami kinnitamine ⑧
 - kui soovite erinevaid pindu üksteise suhtes tasandada, paigaldage lihvimisraam L, vältimaks kriimustuste ja vagude teket, ja veenduge, et see on kindlalt kinni
 - ! lihvimisraam L muutub töö käigus väga kuumaks; ärge puutuge seda enne, kui see on maha jahtunud
 - ! eemaldage lihvimisraam L enne säilitusrežiimile seadmist
- Tööriista hoidmine ja juhtimine ⑨
 - hoidke tööriista paralleelselt töödeldava pinnaga
 - ! töötamise ajal hoidke tööriista kinni korpuse ja käepideme halli värvi osadest
 - ! ärge suruge tööriistale liigselt; laske lihvitaval pinnal enda heaks töötada
 - vältimaks soovimatuid lihvimisjälgide ärge kallutage tööriista
 - hoidke õhutusavad N ② kinnikatmata

TÖÖJUHISED

- Töötlemata puitpindade lihvimisel liigutage tööriista sirgjoones piki puidu tekstuuri
- Muude materjalide lihvimisel liigutage tööriista ovaalselt üle materjali
- Statsionaarseks kasutuseks paigaldage tööriist tööpingile 2 klambri M abil

- ! paigaldage sinna tolmuikotti G nagu joonisel näidatud
- ! paigaldage tolmuimeja adapter H nagu joonisel näidatud
- Ärge kunagi töödelge ühe ja sama lihvimislindiga puitu ja metalli
- Vibratsioonitase
 - Käesoleva juhendi tagakaanel nimetatud tekkiva vibratsiooni tase on mõõdetud vastavalt standardis EN 60745 kirjeldatud standarditud testile; seda võib kasutada ühe tööriista võrdlemiseks teisega ja vibratsiooni mõju esialgseks hindamiseks märgitud rakenduste jaoks kasutatavate tööriistade käitamisel
 - tööriista kasutamine muudeks rakendusteks või teiste/halvasti hooldatud tarvikute kasutamisel võib ekspositsioonitase märkimisväärselt suureneda
 - ajal, kui tööriist on väljalülitatud või on küll sisselülitatud, kuid tegelikult seda ei kasutata, võib ekspositsioonitase märkimisväärselt väheneda
 - ! kaitske ennast vibratsiooni toime eest, hooldades tööriista ja selle tarvikuid, hoides oma käed soojad ja organiseerides hästi oma töövõtteid

HOOLDUS / TEENINDUS

- Hoidke seade ja toitejuhe alati puhtad (eriti õhutusavad N ②)
 - külgekleepunud lihvimistolm eemaldage pintsliga
 - ! enne puhastamist eemaldage seade vooluvõrgust
- Kui tolmu eemaldamine korralikult ei toimi, avage korpuseosa P (nagu joonisel näha) ja kõrvaldage lihvimistolm, mis võib olla sinna kogunenud ⑪
 - ! enne puhastamist eemaldage seade vooluvõrgust
- Antud tööriist on hoolikalt valmistatud ja testitud; kui tööriist sellest hoolimata rikki läheb, tuleb see lasta parandada SKILi elektriliste käsitööriistade volitatud remonditöökojas
 - toimetage lahtimonteerimata seade koos ostukviitungiga tarnijale või lähimasse SKILi lepinguliselt töökotta (aadressid ja tööriista varuosade joonise leiate aadressil www.skileurope.com)

KESKKOND

- Ärge visake kasutuskoõlmatuks muutunud elektrilisi tööriistu, lisatarvikuid ja pakendeid ära koos olmejäätmetega (üksnes EL liikmesriikidele)
 - vastavalt Euroopa Parlamendi ja nõukogu direktiivile 2002/96/EÜ elektri- ja elektroonikaseadmete jäätmete kohta ning direktiivi nõuete kohaldamisele liikmesriikides tuleb kasutuskoõlmatuks muutunud elektrilised tööriistad koguda eraldi ja keskkonnasäästlikult korduvkasutada või ringlusse võtta
 - seda meenutab Teile sümbol ⑫

IEVADS

- Šis instruments ir paredzēts efektīvai koka, plastmasas, metāla, špakteles un krāsotu virsmu sausajai slīpēšanai
- Izlasiet un saglabājiet šo pamācību ③

TEHNISKIE PARAMETRI ①

INSTRUMENTA ELEMENTI ②

- A Ieslēdzējs
- B Ieslēdzēja fiksators
- C Ritenītis darbības ātruma regulēšanai
- D Svira slīpēšanas lentes nomaīņai
- E Bultiņa
- F Rokturis lentes centrējuma regulēšanai
- G Putekļu savācējmaiss
- H Putekļsūcēja adapters
- J Papildrokturis
- K Svira papildroktura stāvokļa regulēšanai
- L Slīpēšanas rāmis
- M Piespiedējspīles nostiprināšanai stacionārā stāvoklī
- N Ventilācijas atveres

JŪSU DROŠĪBAI

VISPĀRĪJIE DARBA DROŠĪBAS NOTEIKUMI

⚠ UZMANĪBU! Rūpīgi izlasiet visus drošības noteikumus. Šeit sniegto drošības noteikumu un norādījumu neievērošana var izraisīt aizdegšanos un būt par cēloni elektriskajam triecienam vai nopietnam savainojumam. **Pēc izlasīšanas uzglabājiet šos noteikumus turpmākai izmantošanai.** Turpmākajā izklāstā lietotas apzīmējums “elektroinstruments” attiecas gan uz tikla elektroinstrumentiem (ar elektrokabeļi), gan arī uz akumulatora elektroinstrumentiem (bez elektrokabeļa).

1) DROŠĪBA DARBA VIETĀ

- a) **Sekoņiet, lai darba vieta būtu tīra un sakārtota.** Nekārtīgā darba vieta var slīktā apgaismojumā var viegli notikt nelaimes gadījums.
- b) **Nelietojiet elektroinstrumentu eksplozīvu vai ugunsnedrošu vielu tuvumā un vietās ar paaugstinātu gāzes vai putekļu saturu gaisā.** Darba laikā instruments nedaudz dzirkstējo, un tas var izsaukt viegli degošu putekļu vai tvaiku aizdegšanos.
- c) **Lietojot elektroinstrumentu, neļaujiet nepiederošām personām un jo īpaši bērniem tuvojties darba vietai.** Citu personu klātbūtnē var novērst uzmanību, un tā rezultātā jūs varat zaudēt kontroli pār instrumentu.

2) ELEKTRODROŠĪBA

- a) **Elektroinstrumenta kontaktdakšai jābūt piemērotai elektrotīkla kontaktligzdai. Kontaktdakšas konstrukciju nedrīkst nekādā veidā mainīt. Nelietojiet kontaktdakšas salāgotājus, ja elektroinstruments caur kabeli tiek savienots ar aizsargzēmējuma ķēdi.** Neizmainītas konstrukcijas kontaktdakšas, kas piemērota kontaktligzdai, ļauj samazināt elektriskā trieciena saņemšanas risku.
- b) **Darba laikā nepieskarieties saņemtiem priekšmetiem, piemēram, caurulēm, radiatoriem, plītim vai ledusskapjiem.** Pieskaroties saņemtiem virsmām, pieaug risks saņemt elektrisko triecienu.
- c) **Nelietojiet elektroinstrumentu lietus laikā, neturiet to mitrumā.** Mitrumam iekļūstot instrumentā, pieaug risks saņemt elektrisko triecienu.
- d) **Nenesiet un nepiekariet elektroinstrumentu aiz elektrokabeļa. Neraujiet aiz kabeļa, ja vēlaties atvienot instrumentu no elektrotīkla kontaktligzdas. Sargājiet elektrokabeļi no karstuma, eļļas, asām šķautnēm un instrumenta kustīgajām daļām.** Bojāts vai samezģojies elektrokabeļis var būt par cēloni elektriskajam triecienam.
- e) **Darbinot elektroinstrumentu ārpus telpām, izmantojiet tā pievienošanai vienīgi tādus pagarinātājkaabeļus, kuru lietošana ārpus telpām ir atļauta.** Lietojot elektrokabeļi, kas piemērots darbam ārpus telpām, samazinās risks saņemt elektrisko triecienu.
- f) **Ja elektroinstrumentu tomēr nepieciešams lietot vietās ar paaugstinātu mitrumu, izmantojiet tā pievienošanai noplūdes strāvas aizsargreleju.** Lietojot noplūdes strāvas aizsargreleju, samazinās risks saņemt elektrisko triecienu.

3) PERSONISKĀ DROŠĪBA

- a) **Darba laikā saglabājiet paškontroli un rīkojieties saskaņā ar veselo saprātu. Pārtrauciet darbu, ja jūtaties noguris vai atrodaties alkohola, narkotiku vai medikamentu izraisītā reibumā.** Strādājot ar elektroinstrumentu, pat viens neuzmanības mirklis var būt par cēloni nopietnam savainojumam.
- b) **Izmantojiet individuālos darba aizsardzības līdzekļus un darba laikā vienmēr nēsājiet aizsargbrilles.** Individuālo darba aizsardzības līdzekļu (putekļu maskas, neslīdošu apavu un aizsargķiveres vai ausu aizsargu) pielietošana atbilstoši elektroinstrumenta tipam un veicamā darba raksturam ļauj izvairīties no savainojumiem.
- c) **Nepieļaujiet elektroinstrumenta patvaļīgu ieslēgšanos. Pirms elektroinstrumenta pievienošanas elektrotīklam, akumulatora ievietošanas vai izņemšanas, kā arī pirms elektroinstrumenta pārņemšanas pārliecinieties, ka tas ir izslēgts.** Pārnesot elektroinstrumentu, ja pirksts atrodas uz ieslēdzēja, kā arī pievienojot to elektrobarošanas avotam laikā, kad elektroinstruments ir ieslēgts, var viegli notikt nelaimes gadījums.

- d) Pirms instrumenta ieslēgšanas neaizmirstiet izņemt no tā regulējošos instrumentus vai skrūvjatslēgas. Patronatslēga vai skrūvjatslēga, kas instrumenta ieslēgšanas brīdī nav izņemta no tā, var radīt savainojumu.
- e) **Strādājot ar elektroinstrumentu, ieturiet stingru stāju. Darba laikā vienmēr saglabājiet līdzsvaru un centieties nepasīdēt.** Tas atvieglos instrumenta vadību neparedzētās situācijās.
- f) **Izvēlieties darbam piemērotu apģērbu. Darba laikā nenēsājiet brīvi plandošas drēbes un rotaslietas. Netuviniet matus, apģērbu un aizsargcimdus instrumenta kustīgajām daļām.** Vaļiņas drēbes, rotaslietas un gari mati var iekerties instrumenta kustīgajās daļās.
- g) **Ja elektroinstrumenta konstrukcija ļauj tam pievienot ārējo putekļu uzsūkšanas vai savākšanas/uzkrāšanas ierīci, sekojiet, lai tā tiktu pievienota elektroinstrumentam un pareizi darbotos.** Pielietojot putekļu uzsūkšanu vai savākšanu/uzkrāšanu, samazinās to kaitīgā ietekme uz strādājošās personas veselību.
- 4) ELEKTROINSTRUMENTU LIETOŠANA UN APKOPE**
- a) **Nepārslodojiet elektroinstrumentu. Katram darbam izvēlieties piemērotu instrumentu.** Elektroinstruments darbosies labāk un drošāk pie nominālās slodzes.
- b) **Nelietojiet elektroinstrumentu, ja ir bojāts tā ieslēdzējs.** Elektroinstruments, ko nevar ieslēgt un izslēgt, ir bīstams lietošanai un to nepieciešams remontēt.
- c) **Pirms elektroinstrumenta apkopes, regulēšanas vai darbinstrumenta nomainīšanas atvienojiet tā kontaktdakšu no barojošā elektrotīkla vai izņemiet no tā akumulatoru.** Šādi iespējams samazināt elektroinstrumenta nejaūšas ieslēgšanās risku.
- d) **Elektroinstrumentu, kas netiek darbināts, uzglabājiet piemērotā vietā, kur tas nav sasniedzams bērniem un personām, kuras neprot rīkoties ar instrumentu.** Ja elektroinstrumentu lieto nekompetentas personas, tas var apdraudēt cilvēku veselību.
- e) **Rūpīgi veiciet elektroinstrumenta apkalpošanu. Pārbaudiet, vai kustīgās daļas darbojas bez traucējumiem un nav iespīlētas, vai kāda no daļām nav salauzta vai bojāta, vai katra no tām pareizi funkcionē un pilda tai paredzēto uzdevumu. Nodrošiniet, lai bojātās daļas tiktu savlaicīgi nomainītas vai remontētas pilnvarotā remonta darbnīcā.** Daudzi nelaimes gadījumi notiek tāpēc, ka elektroinstruments pirms lietošanas nav pienācīgi apkalpots.
- f) **Savlaicīgi notīriet un uzasiniet griezošos darbinstrumentus.** Rūpīgi kopti instrumenti, kas apgādāti ar asiem griežņinstrumentiem, ļauj strādāt daudz ražīgāk un ir vieglāk vadāmi.

- g) **Lietojiet vienīgi tādus elektroinstrumentus, papildpiederumus, darbinstrumentus utt., kas paredzēti attiecīgajam pielietojuma veidam. Bez tam jāņem vērā arī konkrētie darba apstākļi un pielietojuma īpatnības.** Elektroinstrumentu lietošana citiem mērķiem, nekā to ir paredzējis ražotājfirma, ir bīstama un var novest pie neparedzamām sekām.

5) APKALPOŠANA

- a) **Nodrošiniet, lai Instrumenta remontu veiktu kvalificēts personāls, nomainījot izmantojot oriģinālās rezerves daļas un piederumus.** Tikai tā iespējams panākt instrumenta ilgstošu un nevainojamu darbību bez atteikumiem.

DARBA DROŠĪBAS NOTEIKUMI SLĪPMAŠĪNĀM

- Izvairieties no instrumenta bojājumiem, kurus var izsaukt apstrādājamajā priekšmetā esošās skrūves, naglas vai citi līdzīgi objekti; tādēļ pirms darba uzsākšanas atbrīvojiet apstrādājamo materiālu no šādiem priekšmetiem
- Darba laikā sekojiet, lai elektrokabelis atrastos drošā attālumā no instrumenta kustīgajām daļām; stieptos prom no darba vietas virzienā uz aizmuguri
- **Nostipriniet detaļu** (drošāk detaļu nostiprināt ar spailēm vai skrūvspīlēm, nevis turēt rokā)
- Pirms instrumenta novietošanas izslēdziet tā elektrodzinēju un nogaidiet, līdz ir pilnīgi apstājušās visas instrumenta kustīgās daļas
- Lietojiet pilnīgi attīstus un drošus pagarinātājkabeļus, kas paredzēti 16 A strāvai
- Elektriska vai mehāniska rakstura kļūmes gadījumā nekavējoties izslēdziet instrumentu un atvienojiet kabeļa kontaktdakšu no elektrotīkla
- SKIL garantē instrumenta nevainojamu darbību tikai tad, ja tiek lietoti pareizi izvēlēti papildpiederumi, kas iegādāti pie SKIL oficiālā izplatītāja
- Šo instrumentu nedrīkst izmantot personas, kas jaunākas par 16 gadiem
- Darba laikā instrumenta radītā trokšņa līmenis var pārsniegt 85 dB(A); lietojiet ausu aizsargus
- **Turiet instrumentu tikai aiz izolētas satveršanas, tāpēc ka lente var skart paša instrumenta kabeli** (pārgriežot sprieguma neesošos vadus, šis spriegums var nonākt uz instrumenta metāla daļām un var radīt operatoram elektrisko triecienu)
- Ja darba laikā tiek caurdurts vai citādi mehāniski bojāts instrumenta elektrokabelis, nepieskarieties tam, bet nekavējoties atvienojiet elektrokabeļa kontaktdakšu no barojošā elektrotīkla
- Neizmantojiet instrumentu, kuram ir bojāts elektrokabelis; tā nomainījot drīkst veikt tikai pieredzējis speciālists
- Sekojiet, lai elektrotīkla spriegums atbilstu instrumenta marķējuma plāksnītē uzrādītajai sprieguma vērtībai (230V vai 240V spriegumam paredzētie instrumenti var darboties arī no 220V elektrotīkla)
- Šis instruments nav derīgs mitrai slīpšanai
- **Neapstrādājiet materiālus, kas satur azbestu** (azbestam piemīt kancerogēnas īpašības)

- Materiāla (piemēram, svīnu saturošas krāsas, dažu koka šķirņu, minerālu un metāla) putekļi var būt kaitīgi (saskare ar putekļiem var būt ieelpošana var izraisīt alerģiskas reakcijas un/vai elpceļu saslimšanas operatoram vai klātesošajiem); **izmantojiet putekļu masku un putekļu nosūcēju, ja to iespējams pieslēgt**
- Dažu veidu putekļi ir klasificēti kā kancerogēni (piemēram, ozola vai dižskābarža putekļi), jo īpaši kombinācijā ar koksnes kondicionēšanas piedevām; **izmantojiet putekļu masku un putekļu nosūcēju, ja to iespējams pieslēgt**
- Ievērojiet ar putekļu savākšanu saistītos nacionālos noteikumus, kas attiecas uz apstrādājamajiem materiāliem
- Slīpējot metālu, veidojas dzirksteles; šādā gadījumā neizmantojiet putekļu savācējmaisu/putekļsūcēju un sekojiet, lai darba vietas tuvumā neatrastos citas personas vai ugunsbīdīgi materiāli
- Nepieskarieties kustīgajai slīplentei
- Nelietojiet nodilušas, ieklētas vai ar apstrādājamo materiālu daļiņām stipri piesārņotas slīplentes
- Darba laikā nēsājiet aizsargcimdus un aizsargbrilles, uzvelciet pieguļošas drēbes un nosedziet matus ar saturošu galvassegu (ja jums ir gari mati)
- **Pirms instrumenta regulēšanas vai palīgpiederumu nomaiņas atvienojiet to no barojošā elektrotīkla**

DARBS

- Ieslēgšana/izslēgšana
 - lai ieslēgtu/izslēgtu instrumentu, nospiediet/atlaidiet ieslēdzēja taustiņu A ②
 - ! **instrumentam jābūt ieslēgtam jau pirms slīpēšanas loksnes saskaršanās ar apstrādājamā priekšmeta virsmu**
 - ! **pirms instrumenta izslēgšanas paceliet to no apstrādājamā priekšmeta virsmas**
- Instrumenta ieslēgšana ilgstošai darbībai, fiksējot tā ieslēdzēju
 - nospiediet ieslēdzēju A ②
 - ar īkšķi nospiediet pogu B ②
 - atlaidiet ieslēdzēju
 - defiksējiet taustiņu, atkārtoti nospiežot un atlaižot ieslēdzēju A ②
- Griešanās ātruma regulēšana ④
 - Nodrošināt optimālus darba rezultātus, apstrādājot dažādus materiālus
 - darbības ātruma regulēšanai ir paredzēts ritenītis C
 - iestādiet optimālu darbības ātrumu, kas būtu piemērots izmantojamās slīpēšanas loksnes graudainības pakāpei
 - pirms darba uzsākšanas piemeklējiet optimālo darbības ātrumu un slīpēšanas loksni ar piemērotu graudainību, veicot izmēģinājuma apstrādi uz materiāla atgriezuma
- Slīplentes nomaiņa ⑤
 - ! **atvienojiet instrumentu no elektrotīkla**
 - paceliet sviru D
 - noņemiet slīplenti

- ievietojiet jauno slīplenti, sekojot, lai uz slīplentes iekšējās virsmas attēloto bultu virziens sakristu ar bultas E virzienu uz instrumenta
 - nolaidiet sviru atpakaļ savā vietā
 - ! **savlaicīgi nomainiet slīplentes**
 - ! **nesalociet slīplentes**
 - Gadījumā, ja instrumenta slīplente regulāri novirzās, (visbiežāk tam par iemeslu ir lietojamās slīplentes zemā kvalitāte), rīkojieties šādi
 - ieslēdziet instrumentu
 - griežot rokturi F ②, lai slīplente kustētos paralēli instrumenta plakanajai pusei
 - ja slīplente turpina novirzīties no vadotnes centra, nomainiet to pret jaunu
 - Putekļu uzsūkšana ⑥
 - pievienojiet putekļu savācējmaisu G, kā parādīts zīmējumā (2 pozīcijas)
 - lai nodrošinātu optimālu putekļu uzsūkšanu, regulāri iztukšojiet putekļu savācējmaisu
 - lietojot slīpmašīnu ar vai bez putekļsūcēja, pievienojiet instrumentam putekļsūcēja adapteru H, kā parādīts zīmējumā (3 pozīcijas)
 - ! **nelietojiet putekļu savācējmaisu/putekļsūcēju, slīpējot metālu**
 - Papildrokturis ⑦
 - Lietojiet sviru K papildroktura J stāvokļa regulēšanai (2 pozīcijas)
 - Slīpēšanas rāmja nostiprināšana ⑧
 - uzlieciet slīpēšanas rāmi L, lai nolīdzinātu virsmas, neradot skrambas un rievās, un pārliecinieties, ka tas ir droši nostiprināts
 - ! **darba gaitā slīpēšanas rāmis L stipri sakarst, tāpēc nepieskarieties tam, pirms rāmis nav atdzisis**
 - ! **noņemiet slīpēšanas rāmi L pirms instrumenta uzglabāšanas**
 - Instrumenta turēšana un vadišana ⑨
 - darba laikā virziet instrumentu paralēli apstrādājamajai virsmai
 - ! **strādājot vienmēr turiet instrumentu aiz pelēkās krāsas noturvirsmas(ām)**
 - ! **neizdariet uz instrumentu pārāk lielu spiedienu; ļaujiet slīpēšanas loksnei darīt darbu jūsu vietā**
 - lai novērstu nevēlamu švīku veidošanos uz apstrādājamās virsmas, darba laikā nenolieciet instrumentu sānu virzienā
 - nenosprostojiet instrumenta ventilācijas atveres N ②
- ## PRAKTISKI PADOMI
- Slīpējot nepārklātas koka virsmas, virziet instrumentu taisniem gājiem koksnes šķiedru garenvirzienā
 - Slīpējot visas pārējās virsmas, pārvietojiet instrumentu ovālām kustībām pa apstrādājamā materiāla virsmu
 - Lai instrumentu izmantotu stacionārā stāvoklī, ar 2 piespiedējspūji M palīdzību nostipriniet to uz darbgalda
 - ! **pievienojiet putekļu savācējmaisu G, kā parādīts zīmējumā**

! pievienojiet instrumentam putekļsūcēja adapteru H, kā parādīts zīmējumā

- Nelietojiet metāla un koka virsmu slīpēšanai vienu un to pašu slīplenti
- Vibrācijas līmenis
Šīs rokasgrāmatas aiz mugurē ar zvaigznīti norādītais vibrācijas emisiju līmenis mērīts, izmantojot standartā EN 60745 paredzēto testu; to var izmantot, lai salīdzinātu instrumentus un provizoriski izvērtētu vibrācijas iedarbību, lietojot instrumentu minētajiem mērķiem
 - instrumenta izmantošana citiem mērķiem vai ar citiem vai nepietiekami koptiem piederumiem var ievērojami **palielināt** iedarbības līmeni
 - laika periodi, kad instruments ir izslēgts vai arī ir ieslēgts, taču ar to nestrādā, var ievērojami **samazināt** iedarbības līmeni
- ! **pasargājiet sevi no vibrācijas ietekmes, veicot instrumenta un tā piederumu tehnisko apkopi, gādājot, lai rokas ir siltas, un organizējot darba gaitu**

APKALPOŠANA / APKOPE

- Uzturiet tīru instrumentu un elektrokabeli (īpaši ventilācijas atveres N ②)
 - ar suku notīriet no instrumenta tam pielīpušos putekļus
- ! **pirms instrumenta tīrīšanas atvienojiet to no elektrotīkla**
- Ja putekļu uzsūkšana nedarbojas pareizi, jūs varat atvērt korpusa daļu P kā parādīts un iztīrīt iespējami uzkrājušos slīpēšanas putekļus ①
 - ! **pirms instrumenta tīrīšanas atvienojiet to no elektrotīkla**
- Ja, neraugoties uz augsto izgatavošanas kvalitāti un rūpīgo pērcražošanas pārbaudi, instruments tomēr sabojājas, tas nogādājams remontam firmas SKIL pilnvarotā elektroinstrumentu remonta darbnīcā
 - nogādājiet instrumentu **neizjauktā veidā** kopā ar iegādes dokumentiem tuvākajā tirdzniecības vietā vai firmas SKIL pilnvarotā pēciegādes apkalpošanas un remontu iestādē (adreses un instrumenta apkalpošanas shēma ir sniegta interneta vietnē www.skileurope.com)

APKĀRTĒJĀS VIDES AIZSARDZĪBA

- **Neizmetiet elektroiekārtas, piederumus un iesaiņojuma materiālus sadzīves atkritumos** (tikai ES valstīm)
 - saskaņā ar Eiropas Savienības direktīvu 2002/96/ES par nolietotajām elektriskajām un elektroniskajām iekārtām un tās atspoguļojumiem nacionālajā likumdošanā, nolietotās elektroiekārtas ir jāsavāc, jāizjauc un jānogādā otrreizējai pārstrādei apkārtējai videi draudzīgā veidā
 - īpašs simbols ⑫ atgādina par nepieciešamību tos utilizēt videi nekaitīgā veidā

Juostos šlifuoklis

7660

ĪVADAS

- Šis prietaiss skirtas sausam šlīfavimui ir ypač gerai nuvalo medinius, plastiskus, metalinius, glaistytus ir dažytus paviršius
- Perskaitykite ir išsaugokite šią naudojimo instrukciją ③

TECHNINĒS CHARAKTERISTIKOS ①

PRIETAISO ELEMENTA ②

- A Ijungimo/išjungimo jungiklis
- B Rankenėlė įjungimo/išjungimo jungikliui užrakinti
- C Šlīfavimo greitī reguliavimo ratukas
- D Svertas šlīfavimo juostai pakeisti
- E Rodyklė
- F Juostos centravimui regulatoriaus rankena
- G Dulkių surinkimo maišelis
- H Dulkių siurblio prijungimo anga
- J Pagalbinė rankena
- K Svirtis pagalbinei rankenai reguliuoti
- L Šlīfavimo rėmelis
- M Spausdukai stacionariam naudojimui
- N Ventilaciinės angos

DARBO SAUGA

BENDROSIOŠ DARBO SAUGOS INSTRUKCIJOS

⚠ DĒMESIO! Perskaitykite visas šias saugos nuorodas ir reikalavimus. Jei nepaisysite žemiau pateiktų saugos nuorodų ir reikalavimų, gali trenkti elektros smūgis, kilti gaisras ir/arba galite sunkiai susižaloti arba sužaloti kitus asmenis. **Išsaugokite šias saugos nuorodas ir reikalavimus, kad ir ateityje galėtumėte jais pasinaudoti.** Toliau pateiktame tekste vartojama sąvoka "elektrinis įrankis" apibūdina įrankius, maitinamus iš elektros tinklo (su maitinimo laidu), ir akumuliatorinius įrankius (be maitinimo laido).

1) DARBO VIETOS SAUGUMAS

- Darbo vieta turi būti švari ir tvarkinga.**
Tinkama ar blogai apšviesta darbo vieta gali tapti nelaimingų atsitikimų priežastimi.
- Nedirbkite tokioje aplinkoje, kur yra degių skysčių, dujų ar dulkių.** Elektriniai įrankiai gali kibirkščiuoti, o nuo kibirkščių dulkės arba susikaupę garai gali užsidegti.
- Dirdami su elektriniu įrankiu neleiskite šalia būti žiūrovams, vaikams ir lankytojams.** Nukreipę dėmesį į kitus asmenis galite nebesuvaldyti prietaiso.

2) ELEKTROSAUGA

- a) Maitinimo laido kištukas turi atitikti tinklo rozetės tipą. Kištuko jokiū būdu negalima modifikuoti. Nenaudokite jokiū kištuko adapterių su žemintais prietaisais. Originalūs kištukai, tiksliai tinkantys elektros tinklo rozetei, sumažina elektros smūgio pavojų.
- b) Venkite kūno kontakto su žemintais paviršiais, tokiais kaip vamzdžiai, šildytuvai, viryklės ar šaldytuvai. Egzistuoja padidinta elektros smūgio rizika, jei Jūsų kūnas bus žemintas.
- c) Saugokite prietaisą nuo lietaus ir drėgmės. Jei vanduo patenka į elektrinį prietaisą, padidėja elektros smūgio rizika.
- d) Nenaudokite maitinimo laido ne pagal paskirtį, t. y. neneškite prietaiso paėmę už laido, nekabinkite prietaiso už laido, netraukite už jo, norėdami išjungti kištuką iš rozetės. Laidą klokite taip, kad jo neveiktų karštis, jis neišsitemptų alyva ir jo nepažeistų aštrios detalės ar judančios prietaiso dalys. Pažeisti arba susipynę laidai gali tapti elektros smūgio priežastimi.
- e) Jei su elektriniu įrankiu dirbate lauke, naudokite tik tokius ilginimo kabelius, kurie tinka lauko darbams. Naudojant lauko darbams pritaikytus ilginimo kabelius, sumažinamas elektros smūgio pavojus.
- f) Jei su elektriniu įrankiu neišvengiamai reikia dirbti drėgnoje aplinkoje, naudokite žemimimo grandinės pertraukiklį. Naudojant žemimimo grandinės pertraukiklį, sumažėja elektros smūgio pavojus.

3) ŽMONIŲ SAUGA

- a) Būkite atidūs, sutelkite dėmesį į tai, ką Jūs darote ir, dirbdami su elektriniu įrankiu, vadovaukitės sveiku protu. Nedirbkite su prietaisu, jei esate pavargę arba vartojote narkotikus, alkoholį ar medikamentus. Akimirksnio neatidumas naudojant prietaisą gali tapti rimtų sužalojimų priežastimi.
- b) Naudokite asmenines apsaugos priemones ir visuomet užsidėkite apsauginius akinius. Naudojant asmenines apsaugos priemones, pvz., respiratorių ar apsauginę kaukę, neslystančius batus, apsauginį šalmą, klausos apsaugos priemones ir kt., rekomenduojamas dirbant su tam tikros rūšies įrankiais, sumažėja rizika susižeisti.
- c) Saugokitės, kad neįjungtumėte prietaiso atsitiktinai. Prieš prijungdami elektrinį įrankį prie elektros tinklo ir/arba akumulatoriaus, prieš pakeldami ar nešdami įsitikinkite, kad jis yra išjungtas. Jeigu nešdami elektrinį įrankį pirštą laikysite ant jungiklio arba prietaisą įjungsitė į elektros tinklą, kai jungiklis yra įjungtas, gali įvykti nelaimingas atsitikimas.
- d) Prieš įjungdami prietaisą pašalinkite reguliavimo įrankius arba veržlių raktus. Prietaiso besisukančioje dalyje esantis įrankis ar raktas gali tapti sužalojimų priežastimi.
- e) Nepervertinkite savo galimybių. Dirbdami atsistokite patikimai ir visada išlaikykite pusiausvyrą. Patikima stovėseną ir tinkamą kūno laikyseną leis geriau kontroliuoti prietaisą netikėtose situacijose.

- f) Dėvėkite tinkamą aprangą. Nedėvėkite plačių drabužių ir papuošalų. Saugokite plaukus, drabužius ir pirštines nuo besisukančių prietaiso dalių.

Laisvus drabužius, papuošalus bei ilgus plaukus gali įtraukti besisukančios dalys.

- g) Jei yra numatyta galimybė prijungti dulkių nusiurbimo ar surinkimo įrenginius, visada įsitikinkite, ar jie yra prijungti ir ar teisingai naudojami. Naudojant dulkių nusiurbimo įrenginius sumažėja kenksmingas dulkių poveikis.
- ## 4) RŪPESTINGA ELEKTRINIŲ ĮRANKIŲ PRIEŽIŪRA IR NAUDOJIMAS

- a) Neperkraukite prietaiso. Naudokite Jūsų darbui tinkamą elektrinį įrankį. Su tinkamu elektriniu įrankiu Jūs dirbsite geriau ir saugiau, jei neviršysite nurodyto galingumo.
- b) Nenaudokite elektrinio įrankio su sugedusiu jungikliu. Elektrinis įrankis, kurio nebegalima įjungti ar išjungti, yra pavojingas ir jį reikia remontuoti.
- c) Prieš reguliuodami prietaisą, keisdami darbo įrankius ar prieš valydami prietaisą, iš elektros tinklo lizdo ištraukite kištuką ir/arba išimkite akumuliatorių. Ši saugumo priemonė apsaugos jus nuo netikėto prietaiso įsijungimo.
- d) Nenaudojamą prietaisą sandėliuokite vaikams ir nemokantiems juo naudotis asmenims neprieinamoje vietoje. Elektriniai įrankiai yra pavojingi, kai juos naudoja nepatyrę asmenys.
- e) Rūpestingai prižiūrėkite prietaisą. Tikrinkite, ar besisukančios prietaiso dalys tinkamai veikia ir niekur neklūva, ar nėra sulūžusių ar šiaip pažeistų dalių, kurios įtakotų prietaiso veikimą. Prieš vėl naudojant prietaisą pažeistos prietaiso dalys turi būti suremontuotos. Daugelio nelaimingų atsitikimų priežastis yra blogai prižiūrimi elektriniai įrankiai.
- f) Pjovimo įrankiai turi būti aštrūs ir švarūs. Rūpestingai prižiūrėti pjovimo įrankiai su aštriomis pjaunamosiomis briaunomis mažiau stringa ir juos yra lengviau valdyti.
- g) Elektrinį įrankį, papildomą įrangą, darbo įrankius ir t. t. naudokite taip, kaip nurodyta šioje instrukcijoje. Taip pat atsižvelkite į darbo sąlygas bei atliekamo darbo pobūdį. Naudojant elektrinius įrankius ne pagal jų paskirtį galima sukelti pavojingas situacijas.

5) APTARNAVIMAS

- a) Prietaisą turi remontuoti tik kvalifikuotas specialistas ir naudoti tik originalias atsargines dalis. Taip galima garantuoti, jog prietaisas išliks saugus.

SAUGOS NUORODOS DIRBANTIEMS SU ŠLIFAVIMO PRIETAISAIS

- Saugokite, kad nepažeistumėte prietaiso į ruošinyje esančius varžtus, vinius ir pan; prieš pradėdami darbą juos pašalinkite
- Pasirūpinkite, kad maitinimo kabelis nebūtų arti besisukančių prietaiso dalių; klokite jį kuo toliau už prietaiso

- **Saugiai laikykite tvirtinamą dirbinį** (dirbinį, kuris segamas ar kalamas kabių kalimo įrankiais, saugiau laikyti spaustuvu nei ranka)
- Prieš padėdami prietaisą jį išjunkite ir palaukite, kol visos besisukančios jo dalys visiškai sustos
- Naudojami ilginamuosius kabelius atkreipkite dėmesį į tai, kad kabelis būtų iki galo išvyniotas ir būtų pritaikytas 16 A elektros srovei
- Atsiradus mechaninio ar elektrinio pobūdžio trikdžiai, tuojau pat išjunkite prietaisą ir ištraukite kištuką iš elektros tinklo lizdo
- SKIL gali garantuoti nepriekaištingą prietaiso veikimą tik tuo atveju, jei naudojama tinkama papildoma įranga ir priedai, kuriuos galite įsigyti įgaliotųjų SKIL atstovų parduotuvėse
- Šį prietaisą turėtų naudoti tik asmenys, kuriems 16 ir daugiau metų
- Darbo metu triukšmo lygis gali viršyti 85 dB(A); naudoti klausos apsaugos priemonės
- **Elektrinį prietaisą laikykite už izoliuotų rankenų, nes juosta gali kliudyti paties prietaiso maitinimo laidą** (įpovus laidą, kuriuo teka elektros srovė, atvirose metalinėse elektrinio prietaiso dalyse atsiranda įtampa ir naudotojas gali gauti elektros smūgį)
- Jei dirbant bus pažeistas ar nutrauktas kabelis, būtina noliečiant kabelio tuojau pat ištraukti kištuką iš elektros tinklo lizdo
- Prietaisą su pažeistu kabeliu naudoti draudžiama; jį turi pakeisti kvalifikuotas elektrikas
- Visada patikrinkite, ar elektros tinklo įtampa atitinka prietaiso firminėje lentelėje nurodytą įtampą (prietaisus su nurodyta įtampa 230 V ir 240 V galima jungti į 220 V įtamos elektros tinklą)
- Šis prietaisas netinka ruošiniams šlifuoti šlapiuoju būdu
- **Draudžiama apdirbti medžiagas, kurių sudėtyje yra asbesto** (asbestas pasižymi vėžą sukeliančiu poveikiu)
- Kai kurių medžiagų, kaip antai dažų, kurių sudėtyje yra švino, kai kurių medžių rūšių medienos, mineralų ir metalo dulkės gali būti kenksmingos (kontaktais su šiomis dulkėmis arba įkvėptos dulkės gali sukelti operatoriumi arba šalia esantiems žmonėms alergines reakcijas ir/arba kvėpavimo sistemos susirgimus); **mūvėkite priešdulkinę puskaukę arba dirbdami naudokite dulkių ištraukimo įrenginį, jei jį galima prijungti**
- Kai kurių rūšių dulkės priskiriamos kancerogeninėms (pvz., ažuolo arba buko medienos dulkės), ypač susimaišiusios su medienos taurinimui naudojamais priedais; **mūvėkite priešdulkinę puskaukę arba dirbdami naudokite dulkių ištraukimo įrenginį, jei jį galima prijungti**
- Vadovaukitės Jūsų šalyje taikomų direktyvų reikalavimais, skirtais medžiagoms, su kuriomis norite dirbti
- Šlifuojant metalą kyla kibirkštys; nenaudokite dulkių surinkimo maišelių/dulkių siurblio ir pasirūpinkite, kad Jums dirbant aplink nebūtų kitų asmenų, kuriuos galėtų sužeisti lekiančios kibirkštys, o taip pat - degių medžiagų

- Nelineskite besisukančios šlifavimo popieriaus juostos
- Draudžiama naudoti nusidėvėjusias, įtrūkusias ar labai užterštas šlifavimo popieriaus juostas
- Užsidėkite apsauginius pirštines, užsidėkite apsauginius akinius, dėvėkite priglundusius drabužius ir apsauginę kepuraitę (jei Jūsų plaukai ilgi)
- **Prieš reguliuojant prietaisą arba keičiant darbo įrankius, ištraukite kištuką iš el. tinklo lizdo**

NAUDOJIMAS

- Įjungimo/išjungimo jungiklis
 - prietaisas įjungiamas/išjungiamas nuspaužiant/atleidžiant jungiklį A ②
- ! **visų pirma įjunkite prietaisą ir tik po to pradėkite šlifuoti, t.y. šlifavimo plokštė ruošinį turi paliesti prietaisui esant jau įjungtam**
- ! **prieš išjungdami prietaisą atitraukite jį nuo ruošinio**
- Jungiklio fiksavimas ilgalaikiam darbui
 - nuspauškite jungiklį A ②
 - nykščiu nuspauškite mygtuką B ②
 - atleiskite jungiklį
 - fiksavimą galite išjungti vėl nuspaušdami jungiklį A ② ir jį atleisdami
- Sūkių reguliavimas ④
 - Jos dėka pasieksite optimalius šlifavimo rezultatus apdirbdami įvairias medžiagas
 - reguliavimo ratuku C galite nustatyti pageidaujamą šlifavimo greitį
 - darbo greitis turi atitikti šlifavimo popieriaus rupumą
 - prieš pradėdami dirbti nustatykite optimalų greitį ir šlifavimo popieriaus rupumo derinį išmėgindami įvairius variantus ant nereikalingo ruošinio gabalo
- Šlifavimo juostos pakelimas ⑤
 - ! **ištraukite kištuką iš elektros lizdo**
 - atlaisvinkite svirtį D
 - išimkite šlifavimo juosta
 - įdėkite naują šlifavimo juosta; vidinėje juostos pusėje esančių rodyklių kryptis turi sutapti su ant prietaiso esančia rodykle E
 - gražinkite svirtį atgal
 - ! **laiku pakeiskite šlifavimo juosta**
 - ! **šlifavimo juostų nelankstykite**
 - Jei juosta vis tik nuslenka nuo ritinėlio (tai gali atsitikti naudojant prastos kokybės juostas), reikia sistemą sureguliuoti iš naujo
 - įjunkite prietaisą
 - sukdami rankeną F ②, kol šlifavimo juostos kraštas atsidurs maždaug ties šlifavimo plokštumos kraštu juostos uždėjimo pusėje
 - jei juosta vis tiek nuslenka, pakeiskite šlifavimo juosta
- Dulkių nusiurbimas ⑥
 - sumontuokite dulkių surinkimo maišelio G taip, kaip parodyta paveikslėlyje (2 padėtys)
 - reguliariai išvalykite dulkių surinkimo maišėlį, tuomet dulkių nusiurbimas bus optimalus

- naudodami prietaisą su dulkių siurbliu ar be jo, dulkių nusiurbimo atvamzdį H sumontuokite taip, kaip parodyta paveikslėlyje (3 padėtys)
- ! **naudokite dulkių surinkimo maišelio/dulkių siurblio šlifuojamai metalą**
- Pagalbinė rankena ⑦
Naudokite svirtį K pagalbinei rankenai J reguliuoti (2 padėtys)
- Šlifavimo rėmelio tvirtinimas ⑧
 - sumontuokite šlifavimo rėmelį L paviršiams lyginti be įbrėžimų ar griovelių, ir įsitikinkite, kad jis yra patikimai įstatytas
 - ! **darbo metu šlifavimo rėmelis L labai įkaista; nelieskite jų rankomis, kol neatauš**
 - ! **prieš sandėliuodami prietaisą, nuimkite šlifavimo rėmelį L**
- Prietaiso laikymas ir valdymas ⑨
 - prietaisą laikykite lygiagrečiai apdirbamam paviršiui
 - ! **dirbdami laikykite prietaisą už pilkos spalvos suėmimo vietos(-ų)**
 - ! **nepauskite prietaiso per stipriai; leiskite šlifavimo plokštei atlikti darbą už jus**
 - nevartykite prietaiso, nes šlifuojant gali likti įbrėžimų
 - ventiliacines angas N ② laikykite neuždengtas

NAUDOJIMO PATARIMAI

- Rūpus neapdirbtų medinių paviršių šlifavimas: šlifaukite tiesiais judesiais išilgai plaušo
- Kitų paviršių šlifavimas: šlifaukite ovaliais judesiais
- Naudodami prietaisą stacionariai 2 spausdukais M pritvirtinkite jį prie darbastalio
 - ! **sumontuokite dulkių surinkimo maišelio G taip, kaip parodyta paveikslėlyje**
 - ! **dulkių nusiurbimo atvamzdį H sumontuokite taip, kaip parodyta paveikslėlyje**
- Niekuomet ta pačia juosta nešlifaukite io ir metalo
- Vibracijos lygis
Vibracijos sklaidos lygis, nurodytas ant šio instrukcijų vadovo užpakalinio viršelio, išmatuotas pagal standartą EN 60745 išdėstytus standartizuoto bandymo reikalavimus; ši vertė gali būti naudojama vienam įrankiui palyginti su kitu bei išankstiniam vibracijos poveikiui įvertinti, kai įrankis naudojamas paminėtais būdais
 - naudojant įrankį kitokiais būdais arba su kitokiais bei netinkamai prižiūrimais priedais, gali žymiai **padidėti** poveikio lygis
 - laikotarpiams, kai įrankis išjungtas arba yra įjungtas, tačiau juo nedirbama, gali žymiai **sumažėti** poveikio lygis
- ! **apsisaugokite nuo vibracijos poveikio prižiūradami įrankį ir jo priedus, laikydami rankas šiltais ir derindami darbo ciklus su pertraukėlėmis**

PRIEŽIŪRA / SERVISAS

- Periodiškai valykite prietaisą ir kabelį (ypač ventiliacines angas N ②)
 - susikaupusias šlifavimo dulkes išvalykite šepetėliu
 - ! **prieš valydami ištraukite kištuką iš elektros tinklo lizdo**
- Jeigu tinkamai nebesiurbiamos dulkės, galima atidaryti korpuso dalį, P kaip vaizduojama paveiksle, ir pašalinti šlifavimo dulkes, kurių galėjo susikaupti ⑩
 - ! **prieš valydami ištraukite kištuką iš elektros tinklo lizdo**
- Jeigu prietaisas, nepaisant gamykloje atliekamo kruopštaus gamybos ir kontrolės proceso, vis dėlto sugestų, jo remontas turi būti atliekamas įgaliotose SKIL elektrinių įrankių remonto dirbtuvėse
 - **neišardyta** prietaisą kartu su pirkimo čekiu siųskite tiekėjui arba į artimiausią SKIL firmos įgaliotą elektros prietaisų techninio aptarnavimo tarnybą (adresus bei atsarginių dalių brėžinius rasite www.skileurope.com)

APLINKOSAUGA

- **Nemeskite elektrinių įrankių, papildomos įrangos ir pakuotės į buitinių atliekų konteinerius** (galioja tik ES valstybėms)
 - pagal ES Direktyvą 2002/96/EG dėl naudotų elektrinių ir elektroninių prietaisų atliekų utilizavimo ir pagal vietinius valstybės įstatymus atitarnavę elektriniai įrankiai turi būti surenkami atskirai ir gabenami į antrinių žaliavų tvarkymo vietas, kur jie turi būti sunaikinami ar perdirbami aplinkai nekenksmingu būdu
 - apie tai primins simbolis ⑫, kai reikės išmesti atitarnavusį prietaisą



- GB CE DECLARATION OF CONFORMITY** We declare under our sole responsibility that this product is in conformity with the following standards or standardized documents: EN 60 745, EN 55 014, in accordance with the provisions of the directives 2006/95/EC, 2004/108/EC, 98/37/EC (until Dec. 28, 2009), 2006/42/EC (from Dec. 29, 2009 on).
NOISE/VIBRATION Measured in accordance with EN 60 745 the sound pressure level of this tool is 88 dB(A) and the sound power level 99 dB(A) (standard deviation: 3 dB), and the vibration 4,8 m/s² (hand-arm method; uncertainty K = 1,5 m/s²).
Technical file at: SKIL Europe BV (PT-SEU/PJE), 4825 BD Breda, NL.
- F CE DÉCLARATION DE CONFORMITÉ** Nous déclarons sous notre propre responsabilité que ce produit est en conformité avec les normes ou documents normalisés suivants: EN 60 745, EN 55 014, conforme aux réglementations 2006/95/CE, 2004/108/CE, 98/37/CE (jusqu'au 28.12.2009), 2006/42/CE (à partir du 29.12.2009).
BRUIT/VIBRATION Mesuré selon EN 60 745 le niveau de la pression sonore de cet outil est 88 dB(A) et le niveau de la puissance sonore 99 dB(A) (déviations standard: 3 dB), et la vibration 4,8 m/s² (méthode main-bras; incertitude K = 1,5 m/s²).
Dossier technique auprès de: SKIL Europe BV (PT-SEU/PJE), 4825 BD Breda, NL.
- D CE KONFORMITÄTSEKTLÄRUNG** Wir erklären in alleiniger Verantwortung, daß dieses Produkt mit den folgenden Normen oder normativen Dokumenten übereinstimmt: EN 60 745, EN 55 014, gemäß den Bestimmungen der Richtlinien 2006/95/EG, 2004/108/EG, 98/37/EG (bis 28.12.2009), 2006/42/EG (ab 29.12.2009).
GERÄUSCH/VIBRATION Gemessen gemäß EN 60 745 beträgt der Schalldruckpegel dieses Gerätes 88 dB(A) und der Schallleistungspegel 99 dB(A) (Standard- abweichung: 3 dB), und die Vibration 4,8 m/s² (Hand-Arm Methode; unsicherheit K = 1,5 m/s²).
Technische Unterlagen bei: SKIL Europe BV (PT-SEU/PJE), 4825 BD Breda, NL.
- NL CE CONFORMITEITSVERKLARING** Wij verklaren, dat dit product voldoet aan de volgende normen of normatieve documenten: EN 60 745, EN 55 014, overeenkomstig de bepalingen van de richtlijnen 2006/95/EG, 2004/108/EG, 98/37/EG (tot 28-12-2009), 2006/42/EG (vanaf 29-12-2009).
GELUID/VIBRATIE Gemeten volgens EN 60 745 bedraagt het geluidsrukniveau van deze machine 88 dB(A) en het geluidsvermogen-niveau 99 dB(A) (standaard deviatie: 3 dB), en de vibratie 4,8 m/s² (hand-arm methode; onzekerheid K = 1,5 m/s²).
Technisch dossier bij: SKIL Europe BV (PT-SEU/PJE), 4825 BD Breda, NL.
- S CE KONFORMITETS FÖRKLARING** Vi intygar och ansvarar för, att denna produkt överensstämmer med följande norm och dokument: EN 60 745, EN 55 014, enl. bestämmelser och riktlinjerna 2006/95/EG, 2004/108/EG, 98/37/EG (till 28.12.2009), 2006/42/EG (from 29.12.2009).
LJUD/VIBRATION Ljudtrycksnivån som uppmätts enligt EN 60 745 är på denna maskin 88 dB(A) och ljudeffektnivån 99 dB(A) (standard deviation: 3 dB), och vibration 4,8 m/s² (hand-arm metod; onoggrannhet K = 1,5 m/s²).
Teknisk tillverkningsdokumentation finns hos: SKIL Europe BV (PT-SEU/PJE), 4825 BD Breda, NL.
- DK CE KONFORMITETSERKLÆRING** Vi erklærer under almindeligt ansvar, at dette produkt er i overensstemmelse med følgende normer eller normative dokumenter: EN 60 745, EN 55 014, i henhold til bestemmelserne i direktiverne 2006/95/EF, 2004/108/EF, 98/37/EF (indtil 28.12.2009), 2006/42/EF (fra 29.12.2009).
STØJ/VIBRATION Måles efter EN 60 745 er lydtrykniveau af dette værktøj 88 dB(A) og lydeffektniveau 99 dB(A) (standard deviation: 3 dB), og vibrationsniveauet 4,8 m/s² (hånd-arm metode; usikkerhed K = 1,5 m/s²).
Teknisk dossier hos: SKIL Europe BV (PT-SEU/PJE), 4825 BD Breda, NL.
- N CE SÄMSVARSEKTLÄRING** Vi erklærer at det er under vårt ansvar at dette produkt er i samsvar med følgende standarder eller standard- dokumenter: EN 60 745, EN 55 014, i samsvar med reguleringer 2006/95/EF, 2004/108/EF, 98/37/EF (frem til 28.12.2009), 2006/42/EF (fra 29.12.2009).
STØY/VIBRASJON Målt ifølge EN 60 745 er lydtryknivået av dette verktøyet 88 dB(A) og lydstrykenivået 99 dB(A) (standard deviasjon: 3 dB), og vibrasjonsnivået 4,8 m/s² (hånd-arm metode; usikkerhet K = 1,5 m/s²).
Tekniske underlag hos: SKIL Europe BV (PT-SEU/PJE), 4825 BD Breda, NL.
- FIN CE TODISTUS STANDARDINMUKAISUUDESTA** Todistamme täten ja vastaamme yksin siitä, että nämä tuote en alluueteltujen standardien ja standardoimisasiakirjojen vaatimusten mukainen EN 60 745, EN 55 014, seuraavien sääntöjen mukaisesti 2006/95/EY, 2004/108/EY, 98/37/EY (28.12.2009 asti), 2006/42/EY (29.12.2009 alkaen).
MELU/TÄRINÄ Mitattuna EN 60 745 mukaan työkalun melutaso on 88 dB(A) ja yleensä työkalun äänen voimakkuus on 99 dB(A) (keskihajonta: 3 dB), ja värinän voimakkuus 4,8 m/s² (käsi-käsivarsi metodi; epävarmuus K = 1,5 m/s²).
Tekninen tiedosto kohdasta: SKIL Europe BV (PT-SEU/PJE), 4825 BD Breda, NL.
- E CE DECLARACION DE CONFORMIDAD** Declaramos bajo nuestra sola responsabilidad que este producto está en conformidad con las normas o documentos normalizados siguientes: EN 60 745, EN 55 014, de acuerdo con las regulaciones 2006/95/CE, 2004/108/CE, 98/37/CE (hasta el 28.12.2009), 2006/42/CE (a partir del 29.12.2009).
RUIDOS/VIBRACIONES Medido según EN 60 745 el nivel de la presión acústica de esta herramienta se eleva a 88 dB(A) y el nivel de la potencia acústica 99 dB(A) (desviación estándar: 3 dB), y la vibración a 4,8 m/s² (método brazo-mano; incertidumbre K = 1,5 m/s²).
Expediente técnico en: SKIL Europe BV (PT-SEU/PJE), 4825 BD Breda, NL.

- P** **CE DECLARAÇÃO DE CONFIRMIDADE** Declaramos sob nossa exclusiva responsabilidade que este producto cumpre as seguintes normas ou documentos normativos: EN 60 745, EN 55 014, conforme as disposições das directivas 2006/95/CE, 2004/108/CE, 98/37/CE (a partir de 28.12.2009), 2006/42/CE (a partir de 29.12.2009).
RUIDO/VIBRAÇÕES Medido segundo EN 60 745 o nível de pressão acústica desta ferramenta é 88 dB(A) e o nível de potência acústica 99 dB(A) (espaço de erro: 3 dB), e a vibração 4,8 m/s² (método braço-mão; incerteza K = 1,5 m/s²).
Processo técnico em: SKIL Europe BV (PT-SEU/PJE), 4825 BD Breda, NL.
- I** **CE DICHIARAZIONE DI CONFORMITÀ** Dichiaramo, assumendo la piena responsabilità di tale dichiarazione, che il prodotto è conforme alle seguenti normative e ai relativi documenti: EN 60 745, EN 55 014 in base alle prescrizioni delle direttive 2006/95/EG, 2004/108/EG, 98/37/EG (fino al 28.12.2009), 2006/42/EG (a partire dal 29.12.2009).
RUMOROSITÀ/VIBRAZIONE Misurato in conformità al EN 60 745 il livello di pressione acustica di questo utensile è 88 dB(A) ed il livello di potenza acustica 99 dB(A) (deviazione standard: 3 dB), e la vibrazione 4,8 m/s² (metodo mano-braccio; incerteza K = 1,5 m/s²).
Fascicolo tecnico presso: SKIL Europe BV (PT-SEU/PJE), 4825 BD Breda, NL.
- H** **CE MINŐSÉGI TANUSÍTVÁNY** Teljes felelősségünk tudatában kijelentjük, hogy jelen termék a következő szabványoknak vagy kötelező hatóság elírásoknak megfelel: EN 60 745, EN 55 014, a 2006/95/EK, 2004/108/EK, 98/37/EK (2009.12.28-ig), 2006/42/EK (2009.12.29-től kezdve) elírásoknak megfelelően.
ZAJ/REZGÉS Az EN 60 745 alapján végzett mérések szerint ezen készülék hangnyomás szintje 88 dB(A) a hangteljesítmény szintje 99 dB(A) (normál eltérés: 3 dB), a rezgésszám 4,8 m/s² (kézre-ható érték; szórás K = 1,5 m/s²).
A műszaki dokumentáció a következő helyen található: SKIL Europe BV (PT-SEU/PJE), 4825 BD Breda, NL.
- CZ** **CE STRVZUJÍCÍ PROHLÁŠENÍ** Potvrzujeme na odpovědnost, že tento výrobek odpovídá následujícím normám nebo normativním podkladům: EN 60 745, EN 55 014, podle ustanovení směrnic 2006/95/ES, 2004/108/ES, 98/37/ES (do 28.12.2009), 2006/42/ES (od 29.12.2009).
HLUČNOSTI/VIBRACÍ Měřeno podle EN 60 745 (metoda tlak hlukové vlny tohoto přístroje 88 dB(A) a dávka hlučnosti 99 dB(A) (standardní odchylka: 3 dB), a vibrací 4,8 m/s² (činná ruka-paže; nepřesnost K = 1,5 m/s²).
Technická dokumentace u: SKIL Europe BV (PT-SEU/PJE), 4825 BD Breda, NL.
- TR** **CE STANDARDIZASYON BEYANI** Yeğane sorumlu olarak, bu ürünün aşağıdaki standartlara veya standart belgelerine uygun olduğunu beyan ederiz: EN 60 745, EN 55 014, yönetmeliği hükümleri uyarınca 2006/95/EG, 2004/108/EG, 98/37/EG (28.12.2009 tarihine kadar), 2006/42/EG (29.12.2009 tarihinden itibaren).
GÜRÜLTÜ/TİTREŞİM Ölçülen EN 60 745 göre ses basıncı bu makinanın seviyesi 88 dB(A) ve çalışma sırasındaki gürültü 99 dB(A) (standart sapma: 3 dB), ve titreşim 4,8 m/s² (el-kol metodu; tolerans K = 1,5 m/s²).
Teknik belgelerin bulunduğu merkez: SKIL Europe BV (PT-SEU/PJE), 4825 BD Breda, NL.
- PL** **OŚWIADCZENIE ZGODNOŚCI CE** Niniejszym oświadczamy ponosząc osobistą odpowiedzialność, że produkt wykonany jest zgodnie z następującymi normami i dokumentami normalizującymi: EN 60 745, EN 55 014, zgodnie z wytycznymi 2006/95/EU, 2004/108/EU, 98/37/EU (do 28.12.2009), 2006/42/EU (od 29.12.2009).
HAŁASU/WIBRACJE Pomiarów dokonano zgodnie z normą EN 60 745 ciśnienie akustyczne narzędzia wynosi 88 dB(A) zaś poziom mocy akustycznej 99 dB(A) (poziom odchylenie: 3 dB), zaś vibracje 4,8 m/s² (metoda dłoń-reka; błąd pomiaru K = 1,5 m/s²).
Dokumentacja techniczna: SKIL Europe BV (PT-SEU/PJE), 4825 BD Breda, NL.
- RU** **ЗАЯВЛЕНИЕ О СООТВЕТСТВИИ** Мы с полной ответственностью заявляем, что это изделие соответствует следующим стандартам или стандартизованным документам: EN 60 745, EN 55 014, в соответствии с инструкциями 2006/95/ЕС, 2004/108/ЕС, 98/37/ЕС (до 28.12.2009), 2006/42/ЕС (начиная с 29.12.2009).
ШУМНОСТЬ/ВИБРАЦИИ При измерении в соответствии со стандартом EN 60 745 уровень звукового давления для этого инструмента составляет 88 дБ (А) и уровень звуковой мощности - 99 дБ (А) (стандартное отклонение: 3 дБ), и вибрации - 4,8 м/с² (по методу для рук; недостоверность K = 1,5 м/с²).
Техническая документация у: SKIL Europe BV (PT-SEU/PJE), 4825 BD Breda, NL.
- UA** **CE VIDPovidNIST'Y** Ми заявляємо, що відповідність даного продукту наступним стандартам і регулюючим документам повністю нашою відповідальністю: EN 60 745, EN 55 014, відповідно до положень директив 2006/95/EG, 2004/108/EG, 98/37/EG (до 28.12.2009 р.), 2006/42/EG (після 29.12.2009 р.).
ШУМ/ВІБРАЦІЯ Зміряний відповідно до EN 60 745 рівень тиску звуку даного інструменту 88 дБ(А) і потужність звуку 99 дБ(А) (стандартне відхилення: 3 дБ), і вібрація 4,8 м/с² (ручна методика; похибка K = 1,5 м/с²).
Технічні документи в: SKIL Europe BV (PT-SEU/PJE), 4825 BD Breda, NL.
- GR** **CE ΔΗΛΩΣΗ ΣΥΜΒΑΤΟΤΗΤΑΣ** Δηλώνουμε υπευθύνως ότι το προϊόν αυτό είναι κατασκευασμένο σύμφωνα με τους εξής κανονισμούς ή κατασκευαστικές συστάσεις: EN 60 745, EN 55 014, κατά τις διατάξεις των κανονισμών της Κοινής Αγοράς 2006/95/EK, 2004/108/EK, 98/37/EK (έως 28.12.2009), 2006/42/EK (από 29.12.2009).
ΘΟΡΥΒΟ/ΚΡΑΔΑΣΜΟΥΣ Μετρημένη σύμφωνα με EN 60 745 η στάθμη ακουστικής πίεσης αυτού του εργαλείου ανέρχεται σε 88 dB(A) και η στάθμη ηχητικής ισχύος σε 99 dB(A) (κοινή απόκλιση: 3 dB), και ο κραδασμός σε 4,8 m/s² (μεθοδος χειρός/βραχίονα - ανασφάλεια K = 1,5 m/s²).
Τεχνικός φάκελος από: SKIL Europe BV (PT-SEU/PJE), 4825 BD Breda, NL.

- RO** **DECLARAȚIE DE CONFORMITATE CE** Declarăm pe proprie răspundere că acest produs este conform cu următoarele standarde sau documente standardizate: EN 60 745, EN 55 014, în conformitate cu regulile 2006/95/CE, 2004/108/CE, 98/37/CE (până la 28.12.2009), 2006/42/CE (începând cu 29.12.2009).
ZGOMOT/VIBRAȚII Măsurat în conformitate cu EN 60 745 nivelul de presiune a sunetului generat de acest instrument este de 88 dB(A) iar nivelul de putere a sunetului 99 dB(A) (abaterea standard: 3 dB), iar nivelul vibrațiilor 4,8 m/s² (metoda mină - braț; incertitudine K = 1,5 m/s²).
Documentație tehnică la: SKIL Europe BV (PT-SEU/PJE), 4825 BD Breda, NL.
- BG** **СЕ ДЕКЛАРАЦИЯ ЗА СЪОТВЕТСТВИЕ** Декларираме на изцяло наша отговорност, че това изделие е съобразено със следните стандарти или стандартизирани документи: EN 60 745, EN 55 014, в съответствие с нормативната уредба на 2006/95/EG, 2004/108/EG, 98/37/EG (до 28.12.2009), 2006/42/EG (от 29.12.2009).
ШУМ/ВИБРАЦИИ Измерено в съответствие с EN 60 745 нивото на звукова налягане на този инструмент е 88 dB(A) а нивото на звукова мощност е 99 dB(A) (стандартно отклонение: 3 dB), а вибрациите са 4,8 m/s² (метод ръка-рамо; неопределеност K = 1,5 m/s²).
Подробни технически описания при: SKIL Europe BV (PT-SEU/PJE), 4825 BD Breda, NL.
- SK** **CE PREHLÁSENIE O ZHODE** Výhradne na našu vlastnú zodpovednosť prehlasujeme, že tento výrobok zodpovedá nasledujúcim normám alebo normovaným dokumentom: EN 60 745, EN 55 014, v súlade s predpismi 2006/95/EG, 2004/108/EG, 98/37/EG (do 28.12.2009), 2006/42/EG (od 29.12.2009).
HLUK/VIBRÁCIACH Meraný podľa EN 60 745 je úroveň akustického tlaku tohto nástroja 88 dB(A) a úroveň akustického výkonu je 99 dB(A) (štandardná odchýlka: 3 dB), a vibrácie sú 4,8 m/s² (metóda ruka - paža; nepresnosť K = 1,5 m/s²).
Súbor technickej dokumentácie sa nachádzajú na adrese: SKIL Europe BV (PT-SEU/PJE), 4825 BD Breda, NL.
- HR** **CE IZJAVA O USKLA ĐENOSTI** Izjavljujemo uz punu odgovornost da je ovaj proizvod usklađen sa slijedećim normama i normativnim dokumentima: EN 60 745, EN 55 014, prema odredbama smjernica 2006/95/EG, 2004/108/EG, 98/37/EG (do 28.12.2009), 2006/42/EG (od 29.12.2009).
BUČI/ VIBRACIJAMA Mjereno prema EN 60 745, prag zvučnog tlaka ovog električnog alata iznosi 88 dB(A) a jakost zvuka 99 dB(A) (standardna devijacija: 3 dB), a vibracija 4,8 m/s² (postupkom na šaci-ruci; nesigurnost K = 1,5 m/s²).
Tehnička dokumentacija se može dobiti kod: SKIL Europe BV (PT-SEU/PJE), 4825 BD Breda, NL.
- SRB** **CE IZJAVA O USKLA ĐENOSTI** Pod punom odgovornošću izjavljujemo da je ovaj proizvod usklađen sa sledećim standardima ili standardizovanim dokumentima: EN 60 745, EN 55 014, u skladu sa odredbama smernica 2006/95/EG, 2004/108/EG, 98/37/EG (do 28.12.2009), 2006/42/EG (od 29.12.2009).
BUKA/VIBRACIJE Mereno u skladu sa EN 60 745, nivo pritiska zvuka ovog alata iznosi 88 dB(A), a jačina zvuka 99 dB(A) (normalno odstupanje: 3 dB), a vibracija 4,8 m/s² (mereno metodom na šaci-ruci; nesigurnost K = 1,5 m/s²).
Tehnička dokumentacija kod: SKIL Europe BV (PT-SEU/PJE), 4825 BD Breda, NL.
- SLO** **IZJAVA O USTREZNOSTI CE** Odgovorno izjavljamo, da je ta izdelek v skladu z naslednjimi standardi ali standardnimi dokumenti: EN 60 745, EN 55 014, v skladu s predpisi navodil 2006/95/ES, 2004/108/ES, 98/37/ES (do 28.12.2009), 2006/42/ES (od 29.12.2009).
HRUP/VIBRACIJA Izmerjeno v skladu s predpisom EN 60 745 je raven zvočnega pritiska za to orodje 88 dB(A) in jakosti zvoka 99 dB(A) (standarden odmik: 3 dB), in vibracija 4,8 m/s² (metoda 'dlan-roka'; netočnost K = 1,5 m/s²).
Tehnična dokumentacija se nahaja pri: SKIL Europe BV (PT-SEU/PJE), 4825 BD Breda, NL.
- EST** **CE VASTAVUSDEKLARATSIOON** Kinnitame ainuvastutajana, et see toode vastab järgmistele standarditele või normdokumentidele: EN 60 745, EN 55 014 vastavalt direktiivide 2006/95/EÜ, 2004/108/EÜ, 98/37/EÜ (kuni 28.12.2009), 2006/42/EÜ (alates 29.12.2009) nõuetele.
MÜRA/VIBRATSIOON Vastavalt kooskõlas normiga EN 60 745 läbi viidud mõõtmistele on antud seadme helirõhk 88 dB(A) ja helitugevus 99 dB(A) (standardkõrvalekalle: 3 dB), ja vibratsioon 4,8 m/s² (käte-randme-meetod; mõõtemääramatus K = 1,5 m/s²).
Tehniline toimeik saadaval aadressil: SKIL Europe BV (PT-SEU/PJE), 4825 BD Breda, NL.
- LV** **CE DEKLARACIJA PAR ATBILSTĪBU STANDARTIEM** Mēs ar pilnu atbildību paziņojam, ka šis izstrādājums atbilst standartiem vai standartizācijas dokumentiem EN 60 745, EN 55 014 un ir saskaņā ar direktīvām 2006/95/ES, 2004/108/ES, 98/37/ES (līdz 28.12.2009) un 2006/42/ES (no 29.12.2009).
TROKSNIS/VIBRĀCIJA Saskaņā ar standartu EN 60 745 noteiktais instrumenta radītā trokšņa skaņas spiediena līmenis ir 88 dB(A) un skaņas jaudas līmenis ir 99 dB (A) (pie tipiskās izkliedes: 3 dB), un vibrācijas intensitāte ir 4,8 m/s² (strādājot rokās režīmā; izkliede K = 1,5 m/s²).
Tehniiskā lieta no: SKIL Europe BV (PT-SEU/PJE), 4825 BD Breda, NL.
- LT** **CE ATITIKTIES DEKLARACIJA** Mes atsakingai pareiškiame, kad šis gaminyus atitinka tokius standartus ir normatyvinius dokumentus: EN 60 745, EN 55 014 pagal reglamentų 2006/95/EB, 2004/108/EB, 98/37/EB (iki 2009-12-28), 2006/42/EB (nuo 2009-12-29) nuostatas.
TRIUŠKŠMINGUMAS/VIBRACIJA Šio prietaiso triukšmingumas buvo išmatuotas pagal EN 60 745 reikalavimus keliamo triukšmo garso slėgio lygis siekia 88 dB(A) ir akustinio galingumo lygis 99 dB(A) (standartinis nuokrypis: 3 dB), ir vibracijos pagreitis rankos plaštakos srityje tipiniu atveju yra mažesnis, kaip 4,8 m/s² (paklauda K = 1,5 m/s²).
Techinė byla laikoma: SKIL Europe BV (PT-SEU/PJE), 4825 BD Breda, NL.



08 SKIL Europe BV A. v.d. Klot

