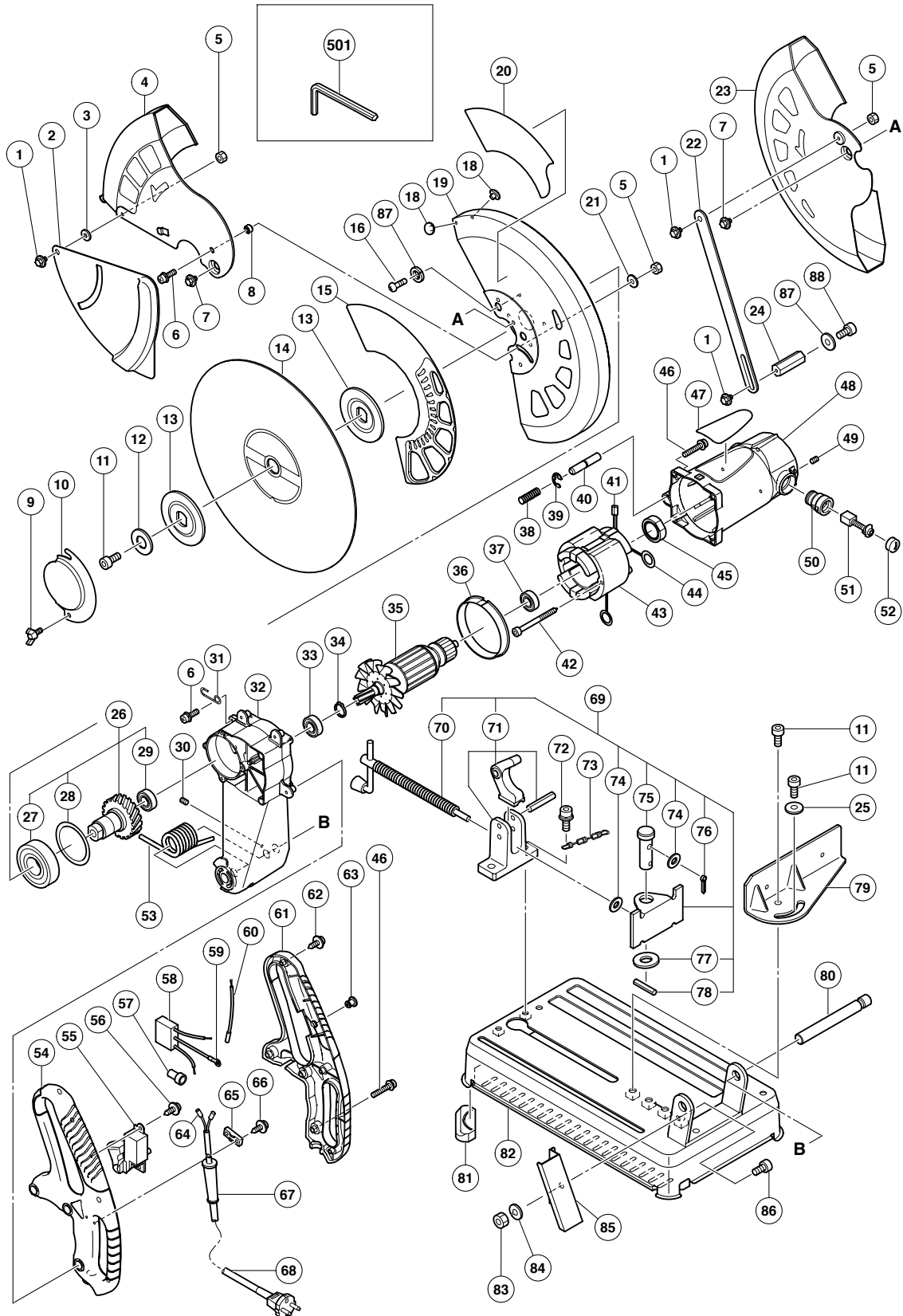


ELECTRIC TOOL PARTS LIST

CUT-OFF MACHINE Model CC 14SF

2005 · 9 · 22

(E1)



PARTS

CC 14SF

ITEM NO.	CODE NO.	DESCRIPTION	NO. USED	REMARKS	
* 1	325-133	BOLT (B) (W/FLANGE)	1	FOR EUROPE, AUT, FIN, DEN, SWE, NOR, GBR, SUI, AUS, NZL	
* 1	325-133	BOLT (B) (W/FLANGE)	2	FOR SAF	
* 2	325-132	SUB COVER (B)	1	FOR EUROPE, AUT, FIN, DEN, SWE, NOR, GBR, SUI, AUS, NZL	
* 3	949-433	BOLT WASHER M8 (10 PCS.)	1	FOR EUROPE, AUT, FIN, DEN, SWE, NOR, GBR, SUI, AUS, NZL	
* 4	325-128	SUB COVER (A)	1	FOR EUROPE, AUT, FIN, DEN, SWE, NOR, GBR, SUI, AUS, NZL	
* 4	325-129	SUB COVER (A)	1	FOR USA, CAN, VEN, SYR, INA, IND, KUW, HKG, TPE, SIN, THA, KOR	
* 5	949-566	LOCK NUT M5 (10 PCS.)	1	FOR USA, CAN, VEN, SYR, INA, IND, KUW, SAF, HKG, SIN, THA, KOR	
* 5	949-566	LOCK NUT M5 (10 PCS.)	2	FOR EUROPE, AUT, FIN, DEN, SWE, NOR, GBR, SUI, AUS, NZL	
* 6	307-294	MACHINE SCREW (W/WASHERS) M5X16 (BLACK)	2		
* 6	307-294	MACHINE SCREW (W/WASHERS) M5X16 (BLACK)	1	FOR SAF, CHN	
* 7	325-130	BOLT (A) (W/FLANGE)	1	EXCEPT FOR CHN	
* 8	325-131	COVER SPACER	1	EXCEPT FOR SAF, CHN	
* 9	949-394	WING BOLT M6X10 (10 PCS.)	2	FOR CHN	
* 10	325-119	SUB COVER	1	FOR CHN	
	11	949-844	HEX. SOCKET HD. BOLT M10X20 (10 PCS.)	3	
	12	965-724	WASHER (A)	1	
* 13	325-117	WHEEL WASHER (A)	2		
* 13	325-126	WHEEL WASHER (B)	2	FOR AUS	
	14		CUT-OFF WHEEL 355MM	1	
* 15	325-120	DESIGN COVER	1	FOR SAF	
	16	949-237	MACHINE SCREW M5X12 (10 PCS.)	4	
* 18	325-127	COVER BUSH	2	EXCEPT FOR CHN	
	19	325-105	WHEEL COVER (A)	1	
* 20			HITACHI LABEL (A)	1	FOR USA, CAN, VEN, SYR, INA, IND, KUW, CHN, HKG, TPE, SIN, THA, KOR
* 21	949-431	BOLT WASHER M5 (10 PCS.)	1	EXCEPT FOR SAF, CHN	
* 22	325-136	LINK	1	FOR SAF	
* 23	325-134	SUB COVER (C)	1	FOR SAF	
* 24	325-135	SUPPORT	1	FOR SAF	
	25	949-434	BOLT WASHER M10 (10 PCS.)	2	
	26	325-103	SPINDLE ASS'Y	1	INCLUD. 27-29
	27	630-6VV	BALL BEARING 6306VVCMP2L	1	
	28	325-017	STOPPER PIN (B)	1	
	29	600-2VV	BALL BEARING 6002VVCMP2L	1	
	30	318-044	SEAL LOCK HEX. SOCKET SET SCREW M5X16	1	
	31	321-234	CHAIN HOOK	1	
	32	325-113	GEAR CASE	1	
	33	600-2VV	BALL BEARING 6002VVCMP2L	1	
	34	939-544	RETAINING RING FOR D15 SHAFT (10 PCS.)	1	
* 35	360-731	ARMATURE ASS'Y 100V-110V	1	INCLUD. 33, 34, 37	
* 35	360-732U	ARMATURE ASS'Y 120V	1	INCLUD. 33, 34, 37	
* 35	360-732	ARMATURE ASS'Y 200V-220V	1	INCLUD. 33, 34, 37	
* 35	360-732F	ARMATURE 230V-240V	1		
	36	325-112	FAN GUIDE	1	

PARTS

CC 14SF

ITEM NO.	CODE NO.	DESCRIPTION	NO. USED	REMARKS
37	600-0VV	BALL BEARING 6000VVCMP2L	1	
38	948-363	GAUGE SPRING	1	
39	955-479	RETAINING RING (E-TYPE) FOR D6 SHAFT	1	
40	321-239	STOPPER PIN	1	
41	981-373	TUBE (D)	2	
42	984-271	HEX. HD. TAPPING SCREW D5X75	2	
* 43	340-642	STATOR ASS'Y 100V-110V	1	INCLUD. 41, 44
* 43	340-643G	STATOR ASS'Y 110V	1	INCLUD. 41, 44 FOR GBR (110V)
* 43	340-643D	STATOR ASS'Y 120V	1	INCLUD. 41, 44
* 43	340-643	STATOR ASS'Y 200V-220V	1	INCLUD. 41, 44
* 43	340-643H	STATOR ASS'Y 230V-240V	1	INCLUD. 41, 44
* 43	340-643F	STATOR ASS'Y 230V-240V	1	INCLUD. 41, 44 FOR IND, KUW
44	998-744	BRUSH TERMINAL	2	
45	325-116	BEARING BUSHING	1	
46	312-298	MACHINE SCREW (W/WASHERS) M5X35	7	
47		NAME PLATE	1	
48	325-125	HOUSING ASS'Y	1	INCLUD. 45, 49, 50
49	938-477	HEX. SOCKET SET SCREW M5X8	2	
50	980-487	BRUSH HOLDER	2	
51	999-044	CARBON BRUSH (1 PAIR)	2	
52	940-540	BRUSH CAP	2	
* 53	321-422	SPRING	1	
* 53	321-238	SPRING	1	FOR CHN
54	325-123	HANDLE	1	
* 55	976-825	SWITCH (2P PILLAR TYPE) W/LOCK	1	
* 55	951-864	SWITCH (2P PILLAR TYPE) W/LOCK	1	FOR VEN, SYR, INA, IND, KUW, CHN, HKG, TPE, SIN, THA, KOR
* 55	951-894	SWITCH (2P PILLAR TYPE) W/LOCK	1	FOR USA, CAN
56	305-720	TAPPING SCREW (W/FLANGE) D4X12	1	
* 57	959-141	CONNECTOR 50092 (10 PCS.)	2	FOR EUROPE, AUT, FIN, DEN, SWE, NOR, GBR, SUI, SAF, AUS, NZL
* 58	994-273	NOISE SUPPRESSOR	1	FOR EUROPE, AUT, FIN, DEN, SWE, NOR, GBR (230V), SUI, SAF, AUS, NZL
* 58	930-039	NOISE SUPPRESSOR	1	FOR GBR (110V)
* 59	938-108	TERMINAL	1	FOR EUROPE, AUT, FIN, DEN, SWE, NOR, GBR (230V), SUI, SAF, AUS, NZL
* 60	321-423	INTERNAL WIRE	2	FOR EUROPE, AUT, FIN, DEN, SWE, NOR, GBR, SUI, SAF, AUS, NZL
61	325-124	HANDLE COVER	1	
62	301-653	TAPPING SCREW (W/FLANGE) D4X20 (BLACK)	3	
* 63	951-895	LOCK-OFF BUTTON	1	FOR USA, CAN
* 64	981-373	TUBE (D)	2	FOR CORD
65	937-631	CORD CLIP	1	
66	984-750	TAPPING SCREW (W/FLANGE) D4X16	2	
* 67	953-327	CORD ARMOR D8.8	1	
* 67	938-051	CORD ARMOR D10.1	1	
* 68	500-247Z	CORD	1	(CORD ARMOR D8.8)
* 68	500-435Z	CORD	1	(CORD ARMOR D8.8) FOR GBR (230V), HKG
* 68	500-461Z	CORD	1	(CORD ARMOR D8.8) FOR GBR (110V)
* 68	500-248Z	CORD	1	(CORD ARMOR D8.8) FOR SUI
* 68	500-447Z	CORD	1	(CORD ARMOR D8.8) FOR SYR

PARTS

CC 14SF

ITEM NO.	CODE NO.	DESCRIPTION	NO. USED	REMARKS
* 68	500-214Z	CORD	1	(CORD ARMOR D10.1) FOR VEN, TPE
* 68	500-453Z	CORD	1	(CORD ARMOR D10.1) FOR USA, CAN
* 68	500-439Z	CORD	1	(CORD ARMOR D8.8) FOR AUS, NZL
* 68	500-455Z	CORD	1	(CORD ARMOR D8.8) FOR CHN
* 68	500-423Z	CORD	1	(CORD ARMOR D8.8) FOR KUW, SIN
69	325-101	WISE ASS'Y	1	INCLUD. 70, 71, 74-78
70	321-226	SCREW	1	
71	325-102	SCREW HOLDER	1	
72	307-357	HEX. SOCKET HD. BOLT (W/WASHERS) M8X25	2	
73	968-520	CHAIN (6 LINK)	1	
74	949-433	BOLT WASHER M8 (10 PCS.)	2	
75	321-229	BOLT	1	
76	949-537	SPLIT PIN D3X15 (10 PCS.)	1	
77	321-232	WASHER M16	1	
78	949-681	ROLL PIN D5X25 (10 PCS.)	1	
79	325-100	WISE (B)	1	
80	321-237	HINGE SHAFT	1	
81	321-223	BASE RUBBER	4	
* 82	325-109	BASE	1	
* 82	325-121	BASE	1	FOR EUROPE, AUT, FIN, DEN, SWE, NOR, GBR, SUI
* 82	325-122	BASE	1	FOR SAF
83	949-568	LOCK NUT M8 (10 PCS.)	1	
84	949-457	SPRING WASHER M8 (10 PCS.)	1	
85	325-108	SPARK SHOOT	1	
86	949-656	HEX. SOCKET HD. BOLT M8X20 (10 PCS.)	1	
87	949-454	SPRING WASHER M5 (10 PCS.)	4	
* 88	949-844	HEX. SOCKET HD. BOLT M10X20 (10 PCS.)	1	FOR SAF
* 89	949-434	BOLT WASHER M10 (10 PCS.)	1	FOR SAF

STANDARD ACCESSORIES

ITEM NO.	CODE NO.	DESCRIPTION	NO. USED	REMARKS
501	955-857	HEX. BAR WRENCH 8MM	1	

OPTIONAL ACCESSORIES

ITEM NO.	CODE NO.	DESCRIPTION	NO. USED	REMARKS
601	949-012	CUT-OFF WHEEL 355MM (10 PCS.)	1	