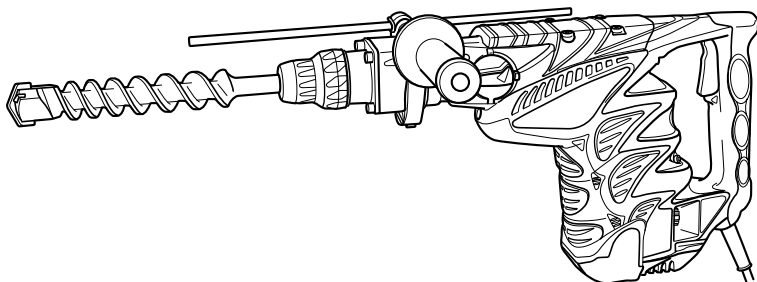


HITACHI

Rotary Hammer
Bohrhammer
Σφυροδραπανο περιστροφικό
Młotowiertarka
Fúrókalapács
Vrtací kladivo
Kırıcı Delici
Комбинированный перфоратор

DH 45MR



Read through carefully and understand these instructions before use.

Diese Anleitung vor Benutzung des Werkzeugs sorgfältig durchlesen und verstehen.

Διαβάστε προσεκτικά και κατανοήσετε αυτές τις οδηγίες πριν τη χρήση.

Przed użytkowaniem należy dokładnie przeczytać niniejszą instrukcję i zrozumieć jej treść.

Használat előtt olvassa el figyelmesen a használati utasítást.

Před použitím si pečlivě přečtete tento návod a ujistěte se, že mu dobře rozumíte.

Aleti kullanmadan önce bu kılavuzu iyice okuyun ve talimatları anlayın.

Внимательно прочтите данную инструкцию по эксплуатации прежде чем пользоваться инструментом.



Handling instructions

Bedienungsanleitung

Οδηγίες χειρισμού

Instrukcja obsługi

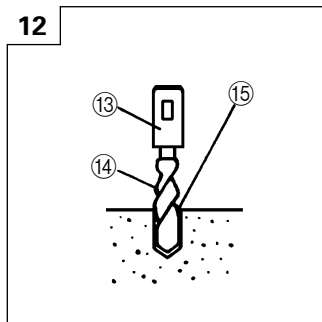
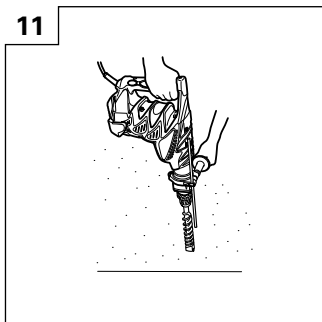
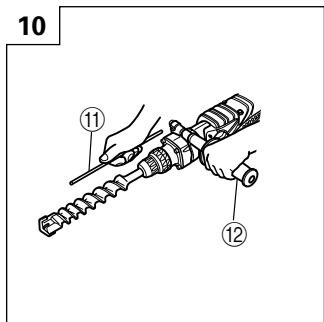
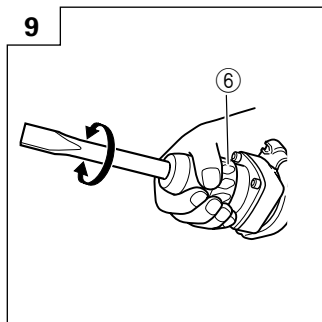
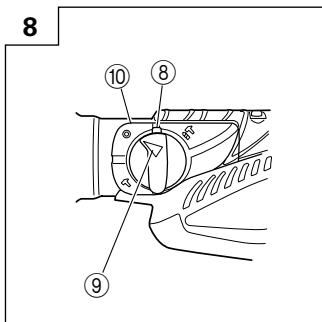
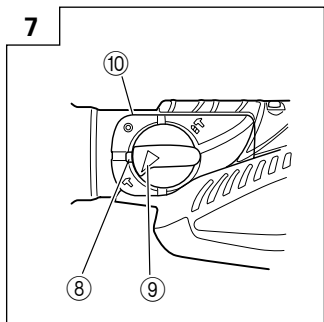
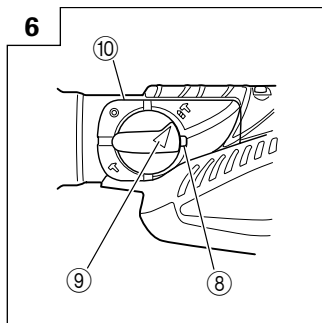
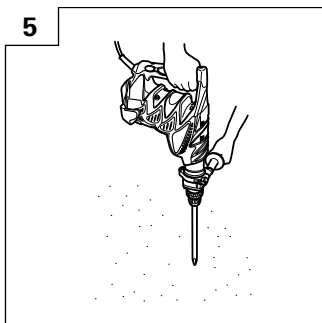
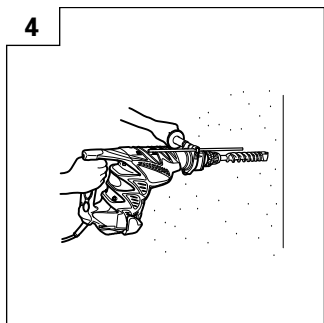
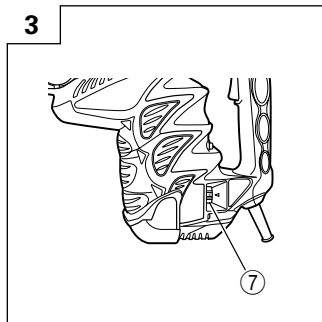
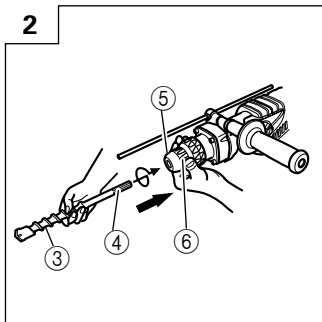
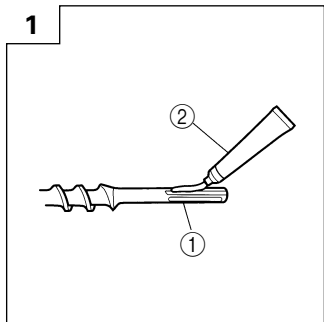
Kezelési utasítás

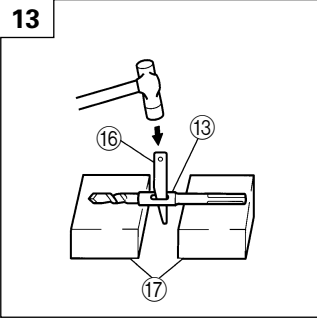
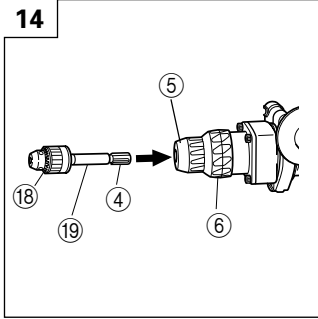
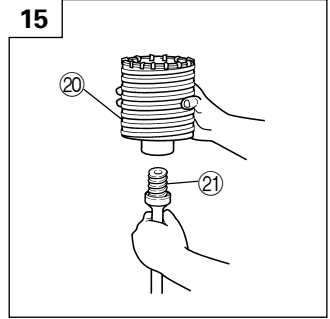
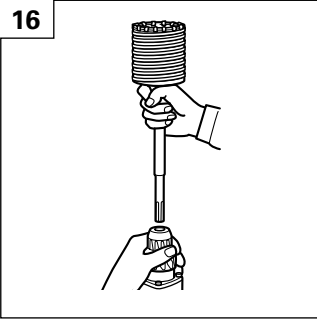
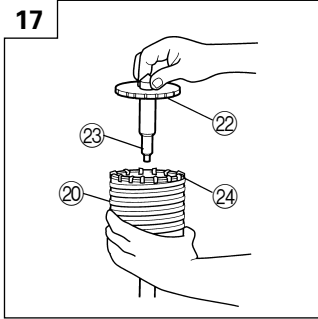
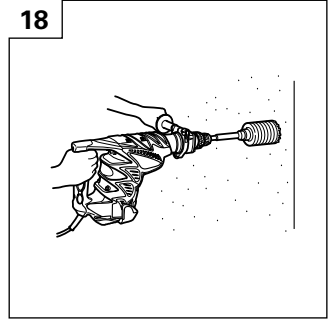
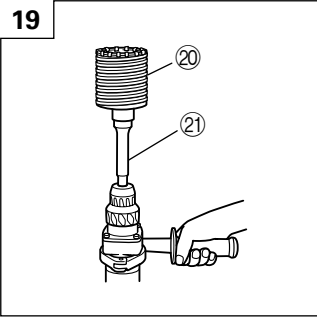
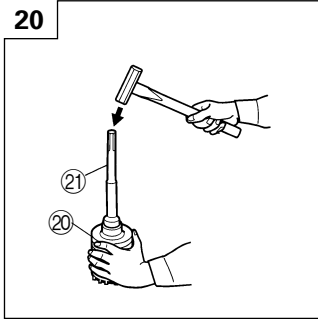
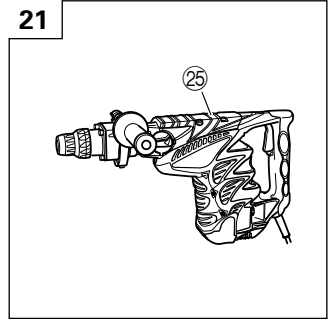
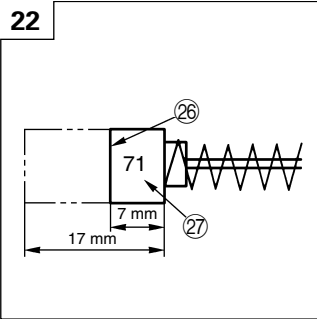
Návod k obsluze

Kullanım talimatları

Инструкция по эксплуатации

Hitachi Koki



13**14****15****16****17****18****19****20****21****22**

	English	Deutsch	Ελληνικά	Polski
①	Tool shank	Werkzeugschaft	Στέλεχος εργαλείου	Uchwyt narzędzia
②	Grease	Schmierfett	Γράσο	Smar
③	Tool	Werkzeug	Εργαλείο	Narzędzie
④	Part of SDS max shank	Teil des SDS-max Schaftes	Τμήμα του στελέχους SDS max	Część uchwytu wiertła samomocującego SDS max
⑤	Front cap	Vordere Abdeckung	Μπροστινό περιβλήμα	Przednia pokrywa
⑥	Grip	Spannbacke	Λαβή	Uchwyt
⑦	Dial	Skalenscheibe	Καντράν	Pokrętko
⑧	Button	Knopf	Κουμπί	Przycisk
⑨	Selector lever	Wahlhebel	Μοχλός επιλογής	Dźwignia nastawcza
⑩	Lever holder	Hebelhalter	Στήριγμα μοχλού	Uchwyt dźwigni
⑪	Stopper	Anschlagstange	Στόπερ	Zatyczka
⑫	Side handle	Seitengriff	Πλευρική λαβή	Uchwyt boczny
⑬	Taper shank adapter	Konusschaftadapter	Κωνικός προσαρμογέας στελέχους	Adapter uchwytu stożkowego
⑭	Drill bit (taper shank)	Bohren (mit konischem Schaft)	Λεπίδα τρυπανιού	Wiertło (uchwyt stożkowy)
⑮	Indicating groove shows standard depth matching the outside diameter of the anchor for drilling.	Anzeigerille zeigt Normalloch-tiefe gemäß Außendurchmesser des Ankers für Bohren.	Η ενδεικτική αυλάκωση δείχνει το κανονικό βάθος που ταιριάζει στην εξωτερική διάμετρο του άγκιστρου για τρύπημα.	Nacięcie wyznacza Standardową głębokość równą zewnętrznej średnicy zaczepu wiercenia.
⑯	Cotter	Keil	Κόφτης	Sworzeń
⑰	Rest	Auflage	Στήριγμα	Oparcie
⑱	Drill chuck	Bohrfutter	Σφικτήρας τρυπανιού	Uchwyt wiertarski
⑲	Chuck adapter	Bohrfutteradapter	Προσαρμογέας σφικτήρα	Adapter uchwytu
⑳	Core bit	Bohrkrone	Κυλινδρικό κοπτικό τμήμα	Korona rdzeniowa
㉑	Core bit shank	Bohrkronenschenkel	Άξονας κυλινδρικού κοπτικού τμήματος	Trzon koronki rdzeniowej
㉒	Guide plate	Führensplatte	Οδηγητική πλάκα	Płyta wiodąca
㉓	Center pin	Mittelstift	Κεντρική περόνη	Sworzeń centrujący
㉔	Core bit tip	Bohrkronenspitze	Άκρη κυλινδρικού κοπτικού τμήματος	Końcówka koronki rdzeniowej
㉕	Crank cover	Kurbelabdeckung	Κάλυμμα στροφάλου	Pokrywa korby
㉖	Wear limit	Verschleißgrenze	Όριο φθοράς	Granica zużycia
㉗	No. of Carbon Brush	Nr. der Kohlebürste	Αρ. καρβουνακιών	Nr szczotki węglowej

	Magyar	Čeština	Türkçe	Русский
①	Szerszámszár	Stopka vrtáku	Takim sapı	Стержень инструмента
②	Zsír	Vazelína	Gres	Смазка
③	Szerszám	Nástroj	Takim	Инструмент
④	SDS max szár része	Část SDS max stopky	SDS max sapı parçası	Самозавинчивающаяся часть стержня
⑤	Előlső kupak	Přední kryt	Ön mandren kapağı	Передний патрон
⑥	Karmantyú	Držadlo	Mandren tutma yeri	Рукоятка
⑦	Szabályzó	Číselník	Kadran	Диск
⑧	Retesz	Tlačítko	Düğme	Кнопка
⑨	Üzem mód váltó	Volící páčka	Seçici kol	Рычаг переключателя
⑩	Üzem módok	Držák páčky	Kol tutucu	Рукоятка рычага
⑪	Útköző	Zarážka	Derinlik mesnedi	Стопор
⑫	Oldalfogantyú	Boční držadlo	Yan kol	Боковая рукоятка
⑬	Kónuszos szár adapter	Adaptér pro kuželovou stopku	Konik sap adaptörü	Конусообразная насадка стержня инструмента
⑭	Fúróhegy (kónuszos szárú)	Vrták s kuželovou stopkou	Matkap ucu (konik saplı)	Рабочая поверхность сверла (конусообразная часть стержня)
⑮	A jelzőhorony a rögzítő horgonybetét külső átmérőjének megfelelő standard furatmélységet jelzi.	Žlábek ukazuje standardní hloubku odpovídající vnějšímu průměru vrtací šablony.	Kılavuz yiv, delme ankrajının dış çapına eşit olan standart derinliği gösterir.	Индикаторная бороздка показывает стандартную глубину, соответствующую внешнему диаметру анкера для сверления.
⑯	Ék	Závlačka	Kama	Клин
⑰	Alátámasztó blokk	Klídová poloha	Destekler	Подставка
⑱	Fúrótokmány	Sklíčidlo	Ek Mandren	Зажимный патрон сверла
⑲	Tokmány adapter	Adaptér sklíčidla	Mandren adaptörü	Насадка зажимного патрона
⑳	Magfúró korona	Okružní dutý vrták	Buat ucu	Лезвие бура
㉑	Magfúró korona szára	Stopka pro středový vrták	Buat ucu sapı	Стержень лезвия бура
㉒	Vezetőlap	Šablona	Kılavuz plakası	Направляющая пластина
㉓	Központosító túske	Středový vrták	Merkez pimi	Центровочный шток
㉔	Magfúró korona vágóéle	Hrot středového vrtáku	Buat ucu	Наконечник лезвия бура
㉕	Hajtómű burkolata	Kryt převodovky	Krank kapağı	Крышка коробки рычага
㉖	Kopási határ	Mez opotřebení	Yıpranma limiti	Предел износа
㉗	Szénkefe száma	Číslo uhlíkového kartáčku	Kömür numarası	№ угольной щетки

GENERAL SAFETY RULES

WARNING!

Read all instructions

Failure to follow all instructions listed below may result in electric shock, fire and/or serious injury.

The term "power tool" in all of the warnings listed below refers to your mains operated (corded) power tool or battery operated (cordless) power tool.

SAVE THESE INSTRUCTIONS

1) Work area

- a) **Keep work area clean and well lit.**
Cluttered and dark areas invite accidents.
- b) **Do not operate power tools in explosive atmospheres, such as in the presence of flammable liquids, gases or dust.**
Power tools create sparks which may ignite the dust of fumes.
- c) **Keep children and bystanders away while operating a power tool.**
Distractions can cause you to lose control.

2) Electrical safety

- a) **Power tool plugs must match the outlet. Never modify the plug in any way. Do not use any adapter plugs with earthed (grounded) power tools.**
Unmodified plugs and matching outlets will reduce risk of electric shock.
- b) **Avoid body contact with earthed or grounded surfaces such as pipes, radiators, ranges and refrigerators.**
There is an increased risk of electric shock if your body is earthed or grounded.
- c) **Do not expose power tools to rain or wet conditions.**
Water entering a power tool will increase the risk of electric shock.
- d) **Do not abuse the cord. Never use the cord for carrying, pulling or unplugging the power tool. Keep cord away from heat, oil, sharp edges or moving parts.**
Damaged or entangled cords increase the risk of electric shock.
- e) **When operating a power tool outdoors, use an extension cord suitable for outdoor use.**
Use of a cord suitable for outdoor use reduces the risk of electric shock.

3) Personal safety

- a) **Stay alert, watch what you are doing and use common sense when operating a power tool. Do not use a power tool while you are tired or under the influence of drugs, alcohol or medication. A moment of inattention while operating power tools may result in serious personal injury.**
- b) **Use safety equipment. Always wear eye protection. Safety equipment such as dust mask, non-skid safety shoes, hard hat, or hearing protection used for appropriate conditions will reduce personal injuries.**
- c) **Avoid accidental starting. Ensure the switch is in the off position before plugging in.**
Carrying power tools with your finger on the switch or plugging in power tools that have the switch on invites accidents.

- d) **Remove any adjusting key or wrench before turning the power tool on.**

A wrench or a key left attached to a rotating part of the power tool may result in personal injury.

- e) **Do not overreach. Keep proper footing and balance at all times.**

This enables better control of the power tool in unexpected situations.

- f) **Dress properly. Do not wear loose clothing or jewellery. Keep your hair, clothing and gloves away from moving parts.**

Loose clothes, jewellery or long hair can be caught in moving parts.

- g) **If devices are provided for the connection of dust extraction and collection facilities, ensure these are connected and properly used.**

Use of these devices can reduce dust related hazards.

4) Power tool use and care

- a) **Do not force the power tool. Use the correct power tool for your application.**

The correct power tool will do the job better and safer at the rate for which it was designed.

- b) **Do not use the power tool if the switch does not turn it on and off.**

Any power tool that cannot be controlled with the switch is dangerous and must be repaired.

- c) **Disconnect the plug from the power source before making any adjustments, changing accessories, or storing power tools.**

Such preventive safety measures reduce the risk of starting the power tool accidentally.

- d) **Store idle power tools out of the reach of children and do not allow persons unfamiliar with the power tool or these instructions to operate the power tool.**

Power tools are dangerous in the hands of untrained users.

- e) **Maintain power tools. Check for misalignment or binding of moving parts, breakage of parts and any other condition that may affect the power tools operation.**

If damaged, have the power tool repaired before use.

Many accidents are caused by poorly maintained power tools.

- f) **Keep cutting tools sharp and clean.**

Properly maintained cutting tools with sharp cutting edges are less likely to bind and are easier to control.

- g) **Use the power tool, accessories and tool bits etc., in accordance with these instructions and in the manner intended for the particular type of power tool, taking into account the working conditions and the work to be performed.**

Use of the power tool for operations different from intended could result in a hazardous situation.

5) Service

- a) **Have your power tool serviced by a qualified repair person using only identical replacement parts.**

This will ensure that the safety of the power tool is maintained.

PRECAUTION

Keep children and infirm persons away.

When not in use, tools should be stored out of reach of children and infirm persons.

PRECAUTIONS ON USING ROTARY HAMMER

1. Wear ear protections
Exposure to noise can cause hearing loss.
2. Do not touch the bit during or immediately after operation. The bit becomes very hot during operation and could cause serious burns.
3. Before starting to break, chip or drill into a wall, floor or ceiling, thoroughly confirm that such items as electric cables or conduits are not buried inside.

4. Use auxiliary handles supplied with the tool.
Loss of control can cause personal injury.
5. Always hold the body handle and side handle of the power tool firmly. Otherwise the counterforce produced may result in inaccurate and even dangerous operation.
6. Wear a dust mask
Do not inhale the harmful dusts generated in drilling or chiseling operation. The dust can endanger the health of yourself and bystanders.

SPECIFICATIONS

Voltage (by areas)*	(110V, 115V, 120V, 127V, 220V, 230V, 240V) ∪
Power input	1200 W*
Capacity	Drill bit: 45 mm Core bit: 125 mm
No load speed	120 – 240 min ⁻¹
Full-load impact rate	1250 – 2500 min ⁻¹
Weight (without cord, side handle)	8.0 kg

*Be sure to check the nameplate on product as it is subject to change by areas.

STANDARD ACCESSORIES

- (1) Case 1
 - (2) Side Handle 1
 - (3) Stopper 1
 - (4) Hammer Grease A 1
- Standard accessories are subject to change without notice.

OPTIONAL ACCESSORIES (sold separately)

1. Through-hole drilling (Rotation + Hammering)

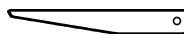


- (1) Drill bit (SDS max shank)

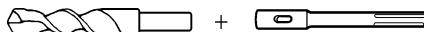
Outer diameter (mm)	Overall length (mm)
16	340, 540
19	
22	320, 520
25	
28	370, 570
32	
38	
40	

2. Anchor hole drilling (Rotation + Hammering)

Drill bit (Taper shank)



(3) Cotter
+



- (1) Drill bit (taper shank)
External dia.: 11, 12.3, 12.7,
14.3, 14.5,
17.5 mm
- (2) Taper shank
adapter
(SDS max shank)

Taper shank adapter	Application drill bit
Morse taper (No. 1)	Drill bit (taper shank) 11, 12.3, 12.7, 14.3, 14.5, 17.5 mm

Adapter for SDS-plus shank bit



- (1) Drill bit (SDS-plus shank)
- (2) Adapter for SDS-plus shank bit (SDS max shank)

3. Large dia. hole boring (Rotation + Hammering)



- (Guide plate)
- (1) Center pin
- (2) Core bit
- (3) Core bit shank (SDS max shank)

- (1) Center pin
- Applied to core bits from 38 mm to 125 mm
- Applied to core bits 32 mm and 35 mm

NOTE:

Do not use core bits 25 mm or 29 mm.

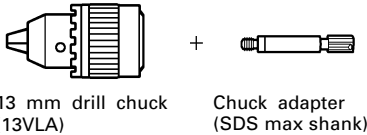
(2) Core bit

- External dia. 25, 29, 32, 35, 38, 45, 54, 64, 79, 94, 105, 120, 125 mm (with guide plate, not applicable to cores 25 mm or 29 mm)

(3) Core bit shank

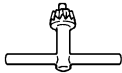
- Applied to core bits above 38 mm
- Applied to core bits below 35 mm

4. Drilling holes For drilling metal and wooden materials



13 mm drill chuck (13VLA)

Chuck adapter (SDS max shank)



Chuck wrench

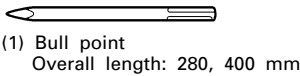
5. Bolt placing operation with Chemical Anchor (Rotation + Hammering)



(Standard socket on the market)

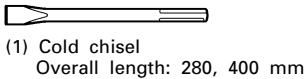
(SDS max shank)
12.7 mm Chemical Anchor Adaptor
19 mm Chemical Anchor Adaptor

6. Crushing (Hammering)



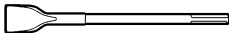
(1) Bull point
Overall length: 280, 400 mm

7. Groove digging and edging (Hammering)

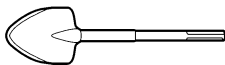


(1) Cold chisel
Overall length: 280, 400 mm

8. Asphalt cutting (Hammering)



9. Scooping Work (Hammering)



(1) Scoop

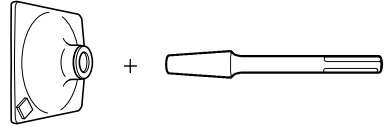
10. Surface Roughing (Hammering)



(1) Bushing Tool

(2) Shank

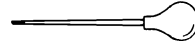
11. Tamping (Hammering)



(1) Rammer
150 × 150 mm

(2) Shank

12. Syringe (for chip removal)



- Hammer grease A
500 g (in a can)
70 g (in a green tube)
30 g (in a green tube)

Optional accessories are subject to change without notice.

APPLICATIONS

- Drilling holes in concrete
- Drilling anchor holes
- Crushing concrete, chipping, digging, and squaring (by applying optional accessories)

PRIOR TO OPERATION

1. **Power source**

Ensure that the power source to be utilized conforms to the power requirements specified on the product nameplate.

2. **Power switch**

Ensure that the power switch is in the OFF position. If the plug is connected to a power receptacle while the power switch is in the ON position, the power tool will start operating immediately, which could cause a serious accident.

3. **Extension cord**

When the work area is removed from the power source, use an extension cord of sufficient thickness and rated capacity. The extension cord should be kept as short as practicable.

4. **How to install tool**

NOTE:

For tools such as a bull point and a cold chisel, use only Hitachi genuine parts.

- (1) Clean, then smear the tool shank with the grease provided in the green tube (Fig. 1).
- (2) To attach the tool (SDS max shank), insert it into the hole until it contacts the innermost end of the hole as illustrated in Fig. 2.

If you continue to turn the tool with slight pressure, you can feel a spot where there is a hitch. At that spot, pull the grip to the direction of an arrow mark and insert the tool all the way until it hits the innermost end.

Releasing the grip reverts the grip and secures the tool in place.

- (3) Pull the tool to make sure it is locked completely.
- (4) To remove the tool, fully pull the grip in the direction of the arrow and pull out the tool.

5. Regulating the number of rotations and hammering (Fig. 3)

This Rotary Hammer is equipped with a built-in electronic control circuit that can adjust and regulate the number of rotations and times of hammering. This Rotary Hammer can be used by adjusting the dial, depending upon the contents of operation, such as boring holes into fragile materials, chipping, centering, etc.

The scale '1' of the dial is designed for a minimum speed with the number of 120 rotations per minute and 1250 times of blow per minute. The scale '6' is designed for a maximum speed with the number of 240 rotations per minute and 2500 times of blow per minute.

CAUTION:

Do not adjust the dial during operation. Doing so can result in injury because the Rotary Hammer must be held by only one hand, disabling the steady control of the Rotary Hammer.

HOW TO USE THE ROTARY HAMMER

1. How to drill holes (Fig. 4)

- (1) Pull the switch trigger after applying the drill bit tip to the drilling position.
- (2) It is unnecessary to forcibly press the rotary hammer main body. It is sufficient to slightly press the rotary hammer to an extent that shavings are freely discharged.

CAUTION:

Although this machine is equipped with a safety clutch, if the drill bit becomes bound in concrete or other material, the resultant stoppage of the drill bit could cause the machine body to turn in reaction. Ensure that the main handle and side handle are gripped firmly during operation.

2. How to chisel or crush (Fig. 5)


By applying the drill bit tip to the chiseling or crushing position, operate the rotary hammer by utilizing its empty weight.

Forcible pressing or thrusting is unnecessary.

3. When drilling at "rotation + hammering":

CAUTION:

If you switch the selector lever during motor rotation, the tool can start to rotate abruptly, resulting in unexpected accidents. Be sure to switch the selector lever when the motor is at a complete stop.

- (1) Switching to "rotation + hammering"
 - (a) Push the button, release lock and turn the selector lever clockwise.
 - (b) Align ▲ of the selector lever and  of the lever holder as illustrated in Fig. 6.
 - (c) Release the button to lock the selector lever.

NOTE:


Turn the selector lever (do not push the button) to check if it is completely locked and make sure that it does not turn.

4. When chipping and chiseling at "hammering":

CAUTION:


- If the selector lever is switched during motor rotation, the tool can start to rotate abruptly, resulting in unexpected accidents. Make sure to switch the selector lever when the motor is at a complete stop.

- If the bull point or cold chisel is used at the position of "rotation + hammering", the tool can start to rotate, resulting in unexpected accidents. Make sure that they are used at the position of "hammering".

- (1) Switching to "hammering"
 - (a) Push the button, release lock and turn the selector lever counterclockwise.
 - (b) Align ▲ of the selector lever and  of the lever holder as illustrated in Fig. 7.
 - (c) Release the button to lock the selector lever.

NOTE:

Turn the selector lever (do not push the button) to check if it is completely locked and make sure that it does not turn.

- (2) When fixing working positions of tools such as cold chisel, etc.,
 - (a) Push the button, release lock and turn the selector lever.
 - Align ▲ of the selector lever and  of the lever holder as illustrated in Fig. 8.
 - (b) Release the button to lock the selector lever.
 - (c) Turn the grip as illustrated in Fig. 9 and fix the tool to the desired working direction.
 - (d) Switch the selector lever to "hammering" according to the procedures mentioned in the above item (1) and secure the position of the tool.

5. Install the stopper (Fig. 10)

- (1) Loosen the side handle and insert the straight portion of the stopper into the handle bolt hole.
- (2) Move the stopper to the specified position and rotate the grip of the side handle clockwise to fix the stopper.

6. Warming up (Fig. 11)

The grease lubrication system in this unit may require warming up in cold regions.

Position the end of the bit so makes contact with the concrete, turn on the switch and perform the warming up operation. Make sure that a hitting sound is produced and then use the unit.

CAUTION:

When the warming up operation is performed, hold the side handle and the main body securely with both hands to maintain a secure grip and be careful not to twist your body by the jammed drill bit.

DRILLING AND DRIVING-IN OPERATIONS FOR ANCHORS

1. When a taper shank adapter is used. (Fig. 12)

- (1) Install drill bit with taper shank in the taper shank adapter.
- (2) Turn the power on and drill a base hole to the depth sounded by indicating groove on the drill bit.
- (3) After cleaning out dust with a syringe, attach the plug to the anchor tip and drive in the anchor with a manual hammer.
- (4) To remove the drill bit (taper shank), insert the cotter into the slot of the taper shank adapter and strike the head of the cotter with a manual hammer supporting on a rest. (Fig. 13)

USING DRILL CHUCK, CHUCK ADAPTER

Note that this machine can be used at “rotation only” if separately sold parts such as drill chuck and chuck adapter are attached. Use it with the selector lever positioned at “rotation + hammering”.

CAUTION:

During operation, be sure to grip the handle and the side handle firmly to prevent your body from swaying.

- (1) Switching to “rotation + hammering”
For switching to “rotation + hammering”, follow the same procedures mentioned in [3. When drilling at “rotation + hammering”].
- (2) Attaching chuck adapter to drill chuck (Fig. 14)
 - (a) Attach the chuck adapter to the drill chuck.
 - (b) The SDS max shank of the chuck adapter is equivalent to the drill bit. Therefore, follow the same procedure as [How to install tool] for attaching and detaching.
- (3) Drilling
 - (a) Even if you apply more-than-required pressure to the machine body, drilling can never be performed as quickly as you expect. Applying more force or pressure to the machine body than what is needed, on the contrary, damages the drill tip, resulting in the declined working efficiency and shortened life of this machine.
 - (b) A drill can snap sometimes when drilling is almost finished. It is important to relax your thrusting pressure when drilling is nearing the end.

HOW TO HANDLE A CORE BIT

When a core bit is used, large diameter holes and blind holes can be drilled. In this case, use optional accessories for core bits (such as a center pin and core bit shank) for more efficient operation.

1. Mounting

CAUTION:

Prior to mounting a core bit, always disconnect the plug from the power supply receptacle.

- (1) Mount the core bit on the core bit shank. (Fig. 15)
Before that, feed oil to the screw portion of core bit shank for easy dismounting.
- (2) Mount the core bit shank on the main body in the same manner as in mounting the drill bit and the bull point. (Fig. 16)
- (3) Insert the center pin into the guide plate until it reaches the extremity.
- (4) Fit in the guide plate by aligning its concaved portion with the core bit tip. When the position of the concave is shifted by turning the guide plate right or left, the guide plate never slips off even when the drill is used in a downward direction. (Fig. 17)

2. Drilling holes

- (1) Insert the plug into a receptacle.
- (2) A spring is built in the center pin. By straightly and gently pressing it to the wall or floor surface, the entire surface of the core bit tip attains contact to start the hole drilling job. (Fig. 18)

- (3) When the hole depth reaches approximately 5 mm, the hole position can be determined. Then remove the center pin and guide plate from the core bit and continue the hole drilling job.

CAUTION:

When removing the center pin and guide plate, always disconnect the plug from the receptacle.

3. How to dismantle the core bit

- By holding the rotary hammer (with the core bit inserted) in an upward position, drive the rotary hammer to repeat impact operation two or three times, whereby the screw is loosened and the rotary hammer becomes ready for disassembly. (Fig. 19)
- Remove the core bit shank from the rotary hammer, hold the core bit with one hand, and strongly strike the head of the SDS max shank portion of the core bit shank with a manual hammer two or three times, whereby the round head screw is loosened and the rotary hammer is ready for disassembly. (Fig. 20)

HOW TO REPLACE GREASE

This machine is of full air-tight construction to protect against dust and to prevent lubricant leakage. Therefore, the machine can be used without lubrication for long periods. Replace the grease as described below.

1. Grease replacement period

After purchase, replace grease after every 6 months of usage. Ask for grease replacement at the nearest Hitachi Authorized Service Center. Proceed for replacement of grease.

2. Grease replenishment

CAUTION:

Before replenishing the grease, turn the power off and pull out the power plug.

- (1) Remove the crank cover and wipe off the grease inside. (Fig. 21)
- (2) Supply 30 g of Hitachi Electric Hammer Grease A (Standard accessory, contained in tube) to the crank case.
- (3) After replenishing the grease, install the crank cover securely.

NOTE:

The Hitachi Electric Hammer Grease A is of the low viscosity type. If necessary purchase from an Hitachi Authorized Service Center.

MAINTENANCE AND INSPECTION

1. Inspecting the tool

Since use of a dull tool will degrade efficiency and cause possible motor malfunction, sharpen or replace the tool as soon as abrasion is noted.

2. Inspecting the mounting screws

Regularly inspect all mounting screws and ensure that they are properly tightened. Should any of the screws be loose, retighten them immediately. Failure to do so could result in serious hazard.

3. Maintenance of the motor

The motor unit winding is the very “heart” of the power tool. Exercise due care to ensure the winding does not become damaged and/or wet with oil or water.

4. Inspecting the carbon brushes (Fig. 22)

The Motor employs carbon brushes which are consumable parts. When they become worn to or near the "wear limit", it could result in motor trouble. When an auto-stop carbon brush is equipped, the motor will stop automatically. At that time, replace both carbon brushes with new ones which have the same carbon brush Numbers shown in the figure. In addition, always keep carbon brushes clean and ensure that they slide freely within the brush holders.

5. Replacing carbon brushes

Loosen the two set screws and remove the tail cover. Remove the brush caps and carbon brushes. After replacing the carbon brushes, tighten the brush caps securely and install the tail cover with securely tightening two set screws.

6. Service parts list

A: Item No.
B: Code No.
C: No. Used
D: Remarks

CAUTION

Repair, modification and inspection of Hitachi Power Tools must be carried out by an Hitachi Authorized Service Center.

This Parts List will be helpful if presented with the tool to the Hitachi Authorized Service Center when requesting repair or other maintenance.

In the operation and maintenance of power tools, the safety regulations and standards prescribed in each country must be observed.

MODIFICATIONS

Hitachi Power Tools are constantly being improved and modified to incorporate the latest technological advancements.

Accordingly, some parts (i.e. code numbers and/or design) may be changed without prior notice.

NOTE:

Due HITACHI's continuing program of research and development, the specifications herein are subject to change without prior notice.

Information concerning airborne noise and vibration

The measured values were determined according to EN60745 and declared in accordance with ISO 4871.

Measured A-weighted sound power level: 105 dB (A).
Measured A-weighted sound pressure level: 94 dB (A).
Uncertainty KpA: 3 dB (A).

Wear ear protection.

The typical weighted root mean square acceleration value: 11.4 m/s².

ALLGEMEINE SICHERHEITSMASSNAHMEN

WARNUNG!

Lesen Sie sämtliche Hinweise durch

Wenn nicht sämtliche nachstehenden Anweisungen befolgt werden, kann es zu Stromschlag, Brand und/oder ernsthaften Verletzungen kommen.

Der Begriff „Elektrowerkzeug“ bezieht sich in den folgenden Warnhinweisen auf Elektrowerkzeuge mit Netz- (schnurgebunden) oder Akkubetrieb (schnurlos).

BEWAHREN SIE DIESE ANWEISUNGEN AUF

1) Arbeitsbereich

- a) Sorgen Sie für einen sauberen und gut ausgeleuchteten Arbeitsbereich. Zugestellte und dunkle Bereiche ziehen Unfälle förmlich an.
- b) Verwenden Sie Elektrowerkzeuge niemals an Orten, an denen Explosionsgefahr besteht – zum Beispiel in der Nähe von leicht entflammaren Flüssigkeiten, Gasen oder Stäuben. Bei der Arbeit mit Elektrowerkzeugen kann es zu Funkenbildung kommen, wodurch sich Stäube oder Dämpfe entzünden können.
- c) Sorgen Sie bei der Arbeit mit Elektrowerkzeugen dafür, dass sich keine Zuschauer (insbesondere Kinder) in der Nähe befinden. Wenn Sie abgelenkt werden, können Sie die Kontrolle über das Werkzeug verlieren.

2) Elektrische Sicherheit

- a) Elektrowerkzeuge müssen mit passender Stromversorgung betrieben werden. Nehmen Sie niemals irgendwelche Änderungen am Anschlussstecker vor. Verwenden Sie bei Elektrowerkzeugen mit Schutzkontakt (geerdet) niemals Adapterstecker. Stecker im Originalzustand und passende Steckdosen reduzieren das Stromschlagrisiko.
- b) Vermeiden Sie Körperkontakt mit geerdeten Gegenständen wie Rohrleitungen, Heizungen, Herden oder Kühlschränken. Bei Körperkontakt mit geerdeten Gegenständen besteht ein erhöhtes Stromschlagrisiko.
- c) Setzen Sie Elektrowerkzeuge niemals Regen oder sonstiger Feuchtigkeit aus. Wenn Flüssigkeiten in ein Elektrowerkzeug eindringen, erhöht sich das Stromschlagrisiko.
- d) Verwenden Sie die Anschlusschnur nicht missbräuchlich. Tragen Sie das Elektrowerkzeug niemals an der Anschlusschnur, ziehen Sie es nicht damit heran und ziehen Sie den Stecker nicht an der Anschlusschnur aus der Steckdose. Halten Sie die Anschlusschnur von Hitzequellen, Öl, scharfen Kanten und beweglichen Teilen fern. Beschädigte oder verdrehte Anschlusschnüre erhöhen das Stromschlagrisiko.
- e) Wenn Sie ein Elektrowerkzeug im Freien benutzen, verwenden Sie ein für den Außeneinsatz geeignetes Verlängerungskabel. Ein für den Außeneinsatz geeignetes Kabel vermindert das Stromschlagrisiko.

3) Persönliche Sicherheit

- a) Bleiben Sie wachsam, achten Sie auf das, was Sie tun, und setzen Sie Ihren Verstand ein, wenn Sie mit Elektrowerkzeugen arbeiten. Benutzen Sie keine Elektrowerkzeuge, wenn Sie müde sind oder unter Einfluss von Drogen, Alkohol oder Medikamenten stehen.

Bei der Arbeit mit Elektrowerkzeugen können bereits kurze Phasen der Unaufmerksamkeit zu schweren Verletzungen führen.

- b) Benutzen Sie Schutzausrüstung. Tragen Sie immer einen Augenschutz. Schutzausrüstung wie Staubmaske, rutschsichere Sicherheitsschuhe, Schutzhelm und Gehörschutz senken das Verletzungsrisiko bei angemessenem Einsatz.
 - c) Vermeiden Sie unbeabsichtigten Anlauf. Achten Sie darauf, dass sich der Schalter in der Aus-(Off-) Position befindet, ehe Sie den Stecker einstecken. Das Herumtragen von Elektrowerkzeugen mit dem Finger am Schalter und das Einstecken des Steckers bei betätigtem Schalter zieht Unfälle regelrecht an.
 - d) Entfernen Sie sämtliche Einstellwerkzeuge (Einstellschlüssel), ehe Sie das Elektrowerkzeug einschalten. Ein an einem beweglichen Teil des Elektrowerkzeugs angebrachter Schlüssel kann zu Verletzungen führen.
 - e) Sorgen Sie für einen festen Stand. Achten Sie jederzeit darauf, sicher zu stehen und das Gleichgewicht zu bewahren. Dadurch haben Sie das Elektrowerkzeug in unerwarteten Situationen besser im Griff.
 - f) Kleiden Sie sich richtig. Tragen Sie keine lose Kleidung oder Schmuck. Halten Sie Haar, Kleidung und Handschuhe von beweglichen Teilen fern. Lose Kleidung, Schmuck oder langes Haar kann von beweglichen Teilen erfasst werden.
 - g) Wenn Anschlüsse für Staubabsaug- und -sammelvorrichtungen vorhanden sind, sorgen Sie dafür, dass diese richtig angeschlossen und eingesetzt werden. Die Verwendung solcher Vorrichtungen kann Staub-bezogene Gefahren mindern.
- #### 4) Einsatz und Pflege von Elektrowerkzeugen
- a) Überansprechen Sie Elektrowerkzeuge nicht. Benutzen Sie das richtige Elektrowerkzeug für Ihren Einsatzzweck. Das richtige Elektrowerkzeug erledigt seine Arbeit bei bestimmungsgemäßem Einsatz besser und sicherer.
 - b) Benutzen Sie das Elektrowerkzeug nicht, wenn es sich nicht am Schalter ein- und ausschalten lässt. Jedes Elektrowerkzeug, das nicht mit dem Schalter betätigt werden kann, stellt eine Gefahr dar und muss repariert werden.
 - c) Ziehen Sie den Netzstecker, ehe Sie Einstellarbeiten vornehmen, Zubehörteile tauschen oder das Elektrowerkzeug verstauen. Solche präventiven Sicherheitsmaßnahmen verhindern den unbeabsichtigten Anlauf des Elektrowerkzeugs und die damit verbundenen Gefahren.
 - d) Lagern Sie nicht benutzte Elektrowerkzeuge außerhalb der Reichweite von Kindern, lassen Sie nicht zu, dass Personen das Elektrowerkzeug bedienen, die nicht mit dem Werkzeug selbst und/oder diesen Anweisungen vertraut sind. Elektrowerkzeuge in ungeschulten Händen sind gefährlich.
 - e) Halten Sie Elektrowerkzeuge in Stand. Prüfen Sie auf Fehlausrichtungen, sicheren Halt und Leichtgängigkeit beweglicher Teile, Beschädigungen von Teilen und auf jegliche andere Zustände, die sich auf den Betrieb des Elektrowerkzeugs auswirken können.

Bei Beschädigungen lassen Sie das Elektrowerkzeug reparieren, ehe Sie es benutzen. Viele Unfälle mit Elektrowerkzeugen sind auf schlechte Wartung zurückzuführen.

- f) Halten Sie Schneidwerkzeuge scharf und sauber. Richtig gewartete Schneidwerkzeuge mit scharfen Schneidkanten bleiben weniger häufig hängen und sind einfacher zu beherrschen.
- g) Benutzen Sie Elektrowerkzeuge, Zubehör, Werkzeugspitzen und Ähnliches in Übereinstimmung mit diesen Anweisungen und auf die für das jeweilige Elektrowerkzeug bestimmungsgemäße Weise – beachten Sie dabei die jeweiligen Arbeitsbedingungen und die Art und Weise der auszuführenden Arbeiten. Der bestimmungswidrige Einsatz von Elektrowerkzeugen kann zu gefährlichen Situationen führen.

5) Service

- a) Lassen Sie Elektrowerkzeuge durch qualifizierte Fachkräfte und unter Einsatz passender, zugelassener Originalteile warten. Dies sorgt dafür, dass die Sicherheit des Elektrowerkzeugs nicht beeinträchtigt wird.

VORSICHT

Von Kindern und gebrechlichen Personen fernhalten. Werkzeuge sollten bei Nichtgebrauch außerhalb der Reichweite von Kindern und gebrechlichen Personen aufbewahrt werden.

VORSICHTSMASSNAHMEN BEI BENUTZUNG DES BOHRHAMMERS

1. Tragen Sie einen Gehörschutz. Starke und/oder dauerhafte Lärmbelastung kann zu Gehörverlust führen.
2. Die Bohrerspitze während oder unmittelbar nach dem Betrieb nicht berühren. Die Bohrerspitze wird während des Betriebs sehr heiß, sobald es zu ernsthaften Verbrennungen führen könnte.
3. Bevor man an der Wand, im Boden oder an der Decke etwas ausbricht, meißelt oder bohrt, muß man sich sorgfältig davon überzeugen, ob keine elektrischen Kabel oder Kabelrohre darunter liegen.
4. Benutzen Sie die mit dem Werkzeug gelieferten Zusatzgriffe. Wenn Sie die Kontrolle über das Werkzeug verlieren, kann es zu Verletzungen kommen.
5. Immer den körper-Handgriff und Seiten-Handgriff des Elektrowerkzeugs festhalten, weil die entstehende Gegenkraft sonst zu einem ungenauen und gefährlichen Arbeiten führt.
6. Tragen Sie eine Staubschutzmaske. Atmen Sie die schädlichen Stäube nicht ein, die beim Bohren und Meißeln entstehen. Die Stäube können Ihre und die Gesundheit von Zuschauern gefährden.

TECHNISCHE DATEN

Spannung (je nach Gebjst)*	(110V, 115V, 120V, 127V, 220V, 230V, 240V) ∩
Leistungsaufnahme	1200 W*
Kapazität	Bohrer: 45 mm Bohrkrone: 125 mm
Leerlaufdrehzahl	120 – 240 min ⁻¹
Vollastschlagzahl	1250 – 2500 min ⁻¹
Gewicht (ohne Kabel und Seitengriff)	8,0 kg

* Vergessen Sie nicht, die Produktangaben auf de Typenschild zu überprüfen, da sich diese ja nach Verkaufsgebiet ändern.

STANDARDZUBEHÖR

- (1) Gehäuse 1
 - (2) Seitengriff 1
 - (3) Anschlagstange 1
 - (4) Hammer Schmierfett A 1
- Das Standardzubehör kann ohne vorherige Bekanntmachung jederzeit geändert werden.

(1) Bohrer (SDS max-Schaft)

Außendurchmesser (mm)	Gesamtlänge (mm)
16	340, 540
19	
22	320, 520
25	
28	370, 570
32	
38	
40	

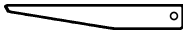
SONDERZUBEHÖR (separat zu beziehen)

- 1. Durchgangsbohrung (Drehung + Hämmern)



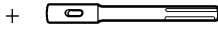
2. Ankerlochbohren (Drehung + Hämmern)

Bohrer (mit konischem Schaft)



(3) Keil

+

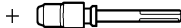


(1) Bohrer (mit konischem Schaft)
Außendurchschnitt:
11, 12,3, 12,7, 14,3, 14,5, 17,5 mm

(2) Konusschaftadapter
(SDS max-Schaft)

Konusschaftadapter	Anwendbare Bohrerpitze
Morsekonus (Nr. 1)	Bohrerspitze (Konusschaft) 11, 12,3, 12,7, 14,3, 14,5, 17,5 mm

Adapter für SDS-plus-Schaftspitze



(1) Bohrer
(SDS-Plus Schaft)

(2) Adapter für SDS-plus-Schaftspitze
(SDS max-Schaft)

3. Lochbohren mit weitem Durchmesser (Drehung + Hämmern)



(1) Mittelstift



(2) Bohrkrone



(3) Bohrkronenschenkel
(SDS max-Schaft)

(Führungsplatte)

(1) Mittelstift

- Anwendbar mit Bohrkronen 38 mm ~ 125 mm
- Anwendbar mit Bohrkronen 32 mm und 35 mm

ANMERKUNG:

Bohrkronen von 25 mm und 29 mm nicht gebrauchen.

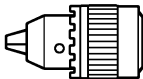
(2) Bohrkrone

- Außendurchschnitt 25, 29, 32, 35, 38, 45, 54, 64, 79, 94, 105, 120, 125 mm (mit Führungsplatte, nicht verwendbar für Kronen von 25 mm und 29 mm)

(3) Bohrkronenschenkel

- Anwendbar mit Bohrkronen über 38 mm
- Anwendbar mit Bohrkronen unter 35 mm

4. Löcherbohren Zum Bohren von Metall- und Holzwerkstoffen



13 mm Bohrfutter
(13VLA)

+



Bohrfutteradapter
(SDS max-Schaft)



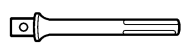
Bohrfutterschlüssel

5. Bolzenplatzierung für Chemical Anchor (Hämmern- und Drehbohren)



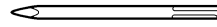
(Sockel auf markierter Stelle)

+



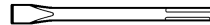
(SDS max-Schaft)
12,7 mm Adapter für
Chemical Anchor
19 mm Adapter für
Chemical Anchor

6. Brechen (Hämmern)



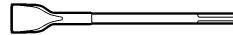
(1) Spitzmeißel
Gesamtlänge: 280, 400 mm

7. Nuten und Kanten (Hämmern)



(1) Kaltmeißel
Gesamtlänge: 280, 400 mm

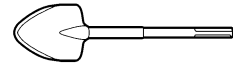
8. Asphalt schneiden (Hämmern)



(1) Spatmeißel

9. Grabarbeiten (Hämmern)

(Zur Verwendung anstelle eines Pickels)



(1) Spaten

10. Ausfrauen der Oberfläche (Hämmern)



(1) Stockerplatten

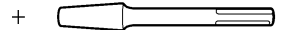


(2) Schaft

11. Stampfen (Hämmern)

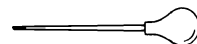


(1) Stampferplatten
150 x 150 mm



(2) Schaft

12. Spritze (für Schnipselentfernung)



- Hammer Schmierfett A
500 g (Dose)
70 g (in grüner Tube)
30 g (in grüner Tube)

Das Sonderzubehör kann ohne vorherige Bekanntmachung jederzeit geändert werden.

ANWENDUNGSGEBIETE

- Bohren von Löchern in Beton
- Bohren von Ankerlöchern
- Brechen von Beton, Abmeißeln, Graben und Kanten (durch Verwendung von wahlweisem Zuberhör)

VOR INBETRIEBNAHME

1. Netzspannung

Prüfen, daß die zu verwendende Netzspannung der Angabe auf dem Typenschild entspricht.

2. Netzschalter

Prüfen, daß der Netzschalter auf „AUS“ steht. Wenn der Stecker an das Netz angeschlossen wird, während der Schalter auf „EIN“ steht, beginnt das Werkzeug sofort zu laufen, was gefährlich ist.

3. Verlängerungskabel

Wenn der Arbeitsbereich nicht in der Nähe des Netzanschlusses liegt, ist ein Verlängerungskabel ausreichenden Querschnitts und ausreichender Nennleistung zu verwenden. Das Verlängerungskabel sollte so kurz wie möglich gehalten werden.

4. Anbringen des Werkzeugs

ANMERKUNG:

Immer Original-Hitachi Bohrer und Spitzmeißel sowie Werkzeug verwenden.

- (1) Den Werkzeugschaft reinigen und dann mit Hilfe des mitgelieferten Fettes schmieren (in grüner Tube). (Abb. 1)
- (2) Führen Sie das Werkzeug (SDS max-Schaft) zum Anbringen bis zum Anschlag in die Öffnung ein, wie in Abb. 2 gezeigt.
Wenn Sie das Werkzeug unter leichtem Druck weiterdrehen, stoßen Sie auf eine Stelle mit einem Widerstand. Ziehen Sie an dieser Stelle den Griff in Richtung der Pfeilmarke, und führen Sie das Werkzeug vollständig bis zum innersten Anschlag ein.
Wird der Griff losgelassen, kehrt er zurück und sichert das Werkzeug.
- (3) Am Werkzeug ziehen, um sicherzustellen, dass es vollkommen verriegelt ist.
- (4) Zum Entfernen des Werkzeugs den Griff in Pfeilrichtung ziehen, und das Werkzeug herausziehen.

5. Regeln von Drehzahl und Schlagzahl (Abb. 3)

Diese Bohrhammer hat einen eingebauten elektronischen Steuerkreis, der die Anzahl der Umdrehungen bzw. Hammerschläge steuern kann. Für den Betrieb sollte die Skalenscheibe des Bohrhammers entsprechend dem Arbeitsinhalt eingestellt werden, z.B. Bohren in zerbrechlichem Material, Meißeln, Zentrieren usw.

Der Wert '1' auf der Skalenscheibe bezeichnet die minimale Drehzahl von 120 U/min bzw. die Mindestschlagzahl von 1250 Hammerschlägen pro Minute. Der Wert '6' bezeichnet die maximale Drehzahl von 240 U/min bzw. die maximale Schlagzahl von 2500 Hammerschlägen pro Minute.

ACHTUNG:

Ändern Sie die Einstellung nicht während des Betriebs. Dies kann zu Verletzungen führen, da der Bohrhammer hierbei nur mit einer Hand gehalten werden kann, so dass eine sichere Handhabung des Bohrhammers nicht gewährleistet ist.

EINSATZ DES BOHRHAMMERS

1. Löcherbohren (Abb. 4)

- (1) Der Schalter wird durchgezogen, nachdem die Bohrspitze an der gewünschten Bohrstelle aufgesetzt ist.
- (2) Es ist nicht erforderlich, großen Druck auf die Bohrmaschine auszuüben. Es reicht ein geringer Druck, und zwar so stark, daß die Bohrspäne abgeführt werden.

ACHTUNG:

Obwohl die Maschine mit einer Sicherheitskupplung ausgestattet ist, wenn sich der Bohrer in Beton oder sonstigem Material verklemt, kann der Stillstand des Bohrers dazu führen, daß sich die Maschine zu drehen beginnt. Es ist darauf zu achten, daß der Hauptgriff und der seitliche Handgriff während des Betriebs gut festgehalten werden.


2. Anweisung für Abmeißeln oder Brechen (Abb. 5)

Die Bohrspitze an die abzumeißelnde oder brechende Stelle ansetzen und den Hammerbohrer durch Anwendung seines Eigengewichtes in Betrieb setzen, Kraftanwendung beim Drücken oder beim Einsatz ist nicht erforderlich.

3. Bohren mit „Drehen + Hämmern“:

ACHTUNG:

Wird der Wählhebel während der Motordrehung umgeschaltet, kann das Werkzeug plötzlich anlaufen, was zu unerwarteten Unfällen führen kann. Schalten Sie daher den Wählhebel nur bei vollkommenem Stillstand des Motors um.


- (1) Umschalten auf „Drehen + Hämmern“
 - (a) Den Knopf drücken, die Verriegelung aufheben und den Wählhebel im Uhrzeigersinn drehen.
 - (b) ▲ des Wählhebels wie in Abb. 6 gezeigt auf  des Hebelhalters ausrichten.
 - (c) Den Knopf loslassen, um den Wählhebel zu verriegeln.

ANMERKUNG:

Den Wählhebel drehen (nicht den Knopf drücken), um sicherzustellen, dass er vollkommen verriegelt ist und sich nicht dreht.

4. Meißeln und Zerspanen mit „Hämmern“:

ACHTUNG:

- Wird der Wählhebel während der Motordrehung umgeschaltet, kann das Werkzeug plötzlich anlaufen, was zu unerwarteten Unfällen führen kann. Schalten Sie daher den Wählhebel nur bei vollkommenem Stillstand des Motors um.
- Werden Meißel und Zerspaner in der Position „Drehen + Hämmern“ verwendet, kann sich das Werkzeug dreher, was zu unerwarteten Unfällen führen kann. Verwenden Sie diese Werkzeuge nur in der Position „Hämmern“.
- (1) Umschalten auf „Hämmern“
 - (a) Den Knopf drücken, die Verriegelung aufheben und den Wählhebel gegen den Uhrzeigersinn drehen.
 - (b) ▲ des Wählhebels wie in Abb. 7 gezeigt auf  des Hebelhalters ausrichten.
 - (c) Den Knopf loslassen, um den Wählhebel zu verriegeln.

ANMERKUNG:

Den Wählhebel drehen (nicht den Knopf drücken), um sicherzustellen, dass er vollkommen verriegelt ist und sich nicht dreht.

- (2) Fixieren der Arbeitspositionen von Werkzeugen (z.B. Kaltmeißel etc.)
- (a) Den Knopf drücken, die Verriegelung aufheben und den Wählhebel drehen.
▲ des Wählhebels wie in **Abb. 8** gezeigt auf **T** des Hebelhalters ausrichten.
- (b) Den Knopf loslassen, um den Wählhebel zu verriegeln.
- (c) Den Griff drehen, wie in **Abb. 9** gezeigt, und das Werkzeug in der gewünschter Arbeitsrichtung fixieren.
- (d) Den Wählhebel gemäß dem im obigen Punkt (1) beschriebenen Verfahren auf „Hämmern“ umschalten, und die Position des Werkzeugs sichern.
- 5. Anbringen der Anschlagstange (Abb. 10)**
- (1) Den Seitengriff lösen und den geraden Teil der Anschlagstange in das Bolzenloch des Seitengriffs einschieben.
- (2) Die Anschlagstange in die angegebene Stellung bringen und den Seitengriff nach rechts drehen, um die Anschlagstange zu befestigen.
- 6. Warmlaufbetrieb (Abb. 11)**
- Da dieses Gerät Fettschmierung verwendet, kann in kalten Bereichen Warmlaufen erforderlich sein. Die Bohrerspitze gegen Beton drücken, den Schalter des Gerätes einschalten und das Gerät verwenden, nachdem Schlaggeräusch zu hören ist.
- ACHTUNG:**
Beim Warmlaufen den Seitengriff und den Gerätkörper mit beiden Händen gut festhalten, damit Sie sich durch einen verklemmten Bohrer nicht verrenken.

VERWENDUNG EINER BOHRKRONE

Bei Verwendung einer Bohrkronen können Löcher mit großem Durchmesser sowie Sacklöcher gebohrt werden. Benutzen Sie in diesem Fall das wahlweise Zubehör für Bohrkronen (wie Zentrierstift und Bohrkronenschaft), um bessere Bohrleistungen zu erzielen.

1. Anbringen

ACHTUNG:

Nehmen Sie vor dem Aufsetzen der Bohrkronen den Stecker aus der Steckdose.

- (1) Bringen Sie die Bohrkronen auf dem Bohrerschaft an. (**Abb. 15**)
Vorher für leichte Entfernung Öl auf den Gewindeabschnitt des Bohrkronenzapfens auftragen.
- (2) Bringen Sie den Bohrschalt-Bohrhalter mit Gewindeaufnahme am Bohrhämmergehäuse auf die gleiche Weise wie den Bohrer oder Spitzmeißel an. (**Abb. 16**)
- (3) Führen Sie den Zentrierstift in die Führungsplatte bis zum Ende ein.
- (4) Bringen Sie die Führungsplatte durch Ausrichten des konkaven Teils auf die Bohrkronenspitze an. Wenn die Stellung des konkaven Teils durch Drehen der Führungsplatte nach links oder rechts verschoben wird, rutscht die Führungsplatte auch bei nach unten gerichtetem Bohrer nie ab. (**Abb. 17**)

2. Bohren von Löchern

- (1) Stecken Sie den Stecker in die Steckdose.
- (2) Der Zentrierstift ist mit einer Feder ausgerüstet. Durch geradlinig leicht ausgeübten Druck an die Wand oder Bodenfläche kommt die gesamte Spitze der Bohrkronen in Kontakt mit dem zu bohrenden Material. (**Abb. 18**)
- (3) Wenn die Bohrlochtiefe ungefähr 5 mm erreicht, kann die Bohrlochposition bestimmt werden. Nehmen Sie den Zentrierstift und die Führungsplatte von der Bohrkronen ab und setzen Sie die Bohrarbeit fort.

ACHTUNG:

Nehmen Sie beim Abnehmen des Zentrierstiftes und der Führungsplatte den Stecker aus der Steckdose.

BOHREN UND EINDREHEN VON ANKERN

1. Verwendung eines Konus-Werkzeughalters. (Abb. 12)

- (1) Einen Bohrer mit konischem Schaft am Konus-Werkzeughalter anbringen.
- (2) Die Maschine einschalten und ein Loch bohren, bis die Anzeigerille am Bohrer die Bohrlochtiefe anzeigt.
- (3) Nach Ausblasen des Bohrstaubs mit einem Blasebalg den Expansionskonus an der Ankerspitze anbringen und den Anker mit einem Hammer einführen.
- (4) Zur Entfernung des Bohrers (Kegelschafts) einen Dorn in den Schlitz des Kegelschaftadapters einführen und mit einem Hammer gestützt durch eine Auflage auf den Kopf des Dorns schlagen. (**Abb. 13**)

VERWENDUNG DES BOHRFUTTERS UND BOHRFUTTERADAPTERS

Beachten Sie, daß diese Maschine auch in der Betriebsart „nur Drehen“ eingesetzt werden kann, wenn getrennt erhaltliche Teile, wie z.B. Bohrfutter und Bohrfutteradapter, angebracht werden. Benutzen Sie die Maschine in diesem Fall in der Wählhebelposition „Drehen + Hämmern“.

ACHTUNG:

- Halten Sie die Maschine während des Betriebs mit beiden Händen an Haupt- und Seitengriff fest, um seitliches Schwingen des Körpers zu vermeiden.
- (1) Umschalten auf „Drehen + Hämmern“
Gehen Sie zum Umschalten auf „Drehen + Hämmern“ nach dem unter [3. Bohren mit „Drehen + Hämmern“] beschriebenen Verfahren vor.

3. Abnehmen der Bohrkronen

- Halten Sie den Bohrhämmer (mit eingesetzter Bohrkronen) nach oben zeigend fest und drehen Sie den Bohrhämmer, bis etwa zwei oder drei Schlagtakte wiederholt sind, wodurch sich die Schraube löst und der Bohrer abgenommen werden kann. (Abb. 19)
- Entfernen Sie den Bohrkronenschaft von der Maschine und halten Sie dabei die Bohrkronen mit einer Hand, während Sie den Kopf des SDS-max-Schaftteils des Bohrkronenschaftes mit einem Hammer zwei oder drei Mal kräftig beklopfen, wodurch sich die Rundkopfschraube löst und der Bohrer abgenommen werden kann. (Abb. 20)

SCHMIERFETTWECHSEL

Diese Maschine ist vollkommen luftdicht, um Eintritt von Staub und Fettlecken zu vermeiden. Deshalb kann sie auf lange Zeit ohne Schmiermittel gebraucht werden. Zum Schmierfettwechsel wie unten angegeben vorgehen.

1. Wechselzeit

Nach dem Einkauf des Schmierfetts alle 6 Gebrauchsmonate wechseln. Wenden Sie sich an Ihre Hitachi Service Station, um den Fettwechsel auszuführen.

2. Schmierfettauffüllung

ACHTUNG:
Vor der Schmierfettauffüllung die Maschine abschalten und den Netzstecker herausnehmen.

- (1) Die Kurbelabdeckung entfernen und das Schmierfett auf der Innenseite abwischen. (Abb. 21)
- (2) Mit 30 Gramm Hitachi Hammer Schmierfett A (Normal-Zubehör in der Tube) das Kurbelgehäuse versorgen.
- (3) Die Kurbelabdeckung nach dem Nachfüllen von Schmierfett wieder sicher anbringen.

ANMERKUNG:

Das Hitachi Elektro Hammer Schmierfett A ist von niedrigem Flüssigkeitsgrad. Falls notwendig, kaufen Sie eine neue Tube bei Ihrer Hitachi Service Station.

WARTUNG UND INSPEKTION**1. Inspektion des Werkzeugs**

Da Gebrauch eines stumpfen Werkzeugs die Leistung vermindert und ein mögliches Versagen des Motors verursacht, ist das Werkzeug zu schleifen oder zu ersetzen, wenn Verschleiß festgestellt wird.

2. Inspektion der Befestigungsschrauben

Alle Befestigungsschrauben werden regelmäßig inspiziert und geprüft, ob sie gut angezogen sind. Wenn sich eine der Schrauben lockert, muß sie sofort wieder angezogen werden. Geschieht das nicht, kann das zu erheblichen Gefahren führen.

3. Wartung des Motors

Die Motorwicklung ist das „HERZ“ des Elektrowerkzeugs. Daher ist besonders sorgfältig darauf zu achten, daß die Wicklung nicht beschädigt wird und/oder mit Öl oder Wasser in Berührung kommt.

4. Inspektion der Kohlebürsten (Abb. 22)

Im Motor sind Kohlebürsten verwendet, die Verbrauchsteile sind. Wenn sich die Bürsten abnutzen oder der "Verschleißgrenze" nähern, kann es zu Motorstörungen kommen. Wenn der Motor mit einer Auto-Stop Kohlebürste ausgestattet ist, wird er automatisch anhalten. Beide Kohlebürsten sollen dann durch neue ersetzt werden, die dieselbe Bürstennummer tragen, wie auf der Abbildung. Darüber hinaus müssen die Kohlebürsten immer sauber gehalten werden und müssen sich in der Bürstenhalterung frei bewegen können.

5. Wiedereinsetzen der Kohlebürsten

Die Stellschraube lösen und die hintere Abdeckung entfernen. Die Bürstenkappe und die Kohlebürste entfernen. Nach dem Auswechseln der Kohlebürste die Bürstenkappe sicher anziehen und die hintere Abdeckung installieren.

6. Liste der Wartungsteile

- A: Punkt Nr.
- B: Code Nr.
- C: Verwendete Anzahl
- D: Bemerkungen

ACHTUNG

Reparatur, Modifikation und Inspektion von Hitachi-Elektrowerkzeugen müssen durch ein Autorisiertes Hitachi-Wartungszentrum durchgeführt werden.

Diese Teileliste ist hilfreich, wenn sie dem Autorisierten Hitachi-Wartungszentrum zusammen mit dem Werkzeug für Reparatur oder Wartung ausgehändigt wird.

Bei Betrieb und Wartung von Elektrowerkzeugen müssen die Sicherheitsvorschriften und Normen beachtet werden.

MODIFIKATIONEN

Hitachi-Elektrowerkzeuge werden fortwährend verbessert und modifiziert, um die neuesten technischen Fortschritte einzubauen.

Dementsprechend ist es möglich, daß einige Teile (z.B. Codenummern bzw. Entwurf) ohne vorherige Benachrichtigung geändert werden.

ANMERKUNG:

Aufgrund des ständigen Forschungs- und Entwicklungsprogramms von HITACHI sind Änderungen der hierin gemachten technischen Angaben nicht ausgeschlossen.

Information über Betriebslärm und Vibration

Die gemessenen Werte wurden entsprechend EN60745 bestimmt und in Übereinstimmung mit ISO 4871 ausgewiesen.

Gemessener A-gewichteter Schallpegel: 105 dB (A)

Gemessener A-gewichteter Schalldruck: 94 dB (A)

Messunsicherheit KpA: 3 dB (A)

Bei der Arbeit immer einen Ohrenschutz tragen.

Der typische gewogene quadratische Mittelwert für die Beschleunigung ist 11,4 m/s².

ΓΕΝΙΚΑ ΜΕΤΡΑ ΑΣΦΑΛΕΙΑΣ

ΠΡΟΣΟΧΗ!

Διαβάστε όλες τις οδηγίες

Αν δεν τηρηθούν όλες οι οδηγίες που αναφέρονται παρακάτω, ενδέχεται να προκληθεί ηλεκτροπληξία, πυρκαγιά ή/και σοβαρός τραυματισμός.

Ο όρος “ηλεκτρικό εργαλείο” σε όλες τις προειδοποιήσεις που αναφέρονται παρακάτω αναφέρεται στο ηλεκτρικό εργαλείο που λειτουργεί με το ρεύμα του ηλεκτρικού δικτύου (με καλώδιο) ή στο ηλεκτρικό εργαλείο που λειτουργεί με μπαταρία (χωρίς καλώδιο).

ΦΥΛΑΞΤΕ ΑΥΤΕΣ ΤΙΣ ΟΔΗΓΙΕΣ

1) Χώρος εργασίας

a) Διατηρείτε το χώρο εργασίας καθαρό και καλά φωτισμένο.

Οι ακατάστατοι και οι σκοτεινοί χώροι έχουν την τάση να προκαλούν ατυχήματα.

b) Μη χρησιμοποιείτε τα ηλεκτρικά εργαλεία σε εκρηκτικές ατμόσφαιρες, όπως όταν είναι παρόντα εύφλεκτα υγρά, αέρια ή σκόνη.

Τα ηλεκτρικά εργαλεία δημιουργούν σπινθήρες οι οποίοι ενδέχεται να προκαλέσουν την ανάφλεξη αυτών των υλικών.

c) Κρατήστε τα παιδιά και τους παρευρισκόμενους μακριά όταν χρησιμοποιείτε ένα ηλεκτρικό εργαλείο. Αν αποσπαστεί η προσοχή σας, υπάρχει κίνδυνος να χάσετε τον έλεγχο.

2) Ηλεκτρική ασφάλεια

a) Τα φως των ηλεκτρικών εργαλείων πρέπει να είναι κατάλληλα για τις πρίζες.

Μην τροποποιήσετε ποτέ το φως με οποιονδήποτε τρόπο.

Μη χρησιμοποιείτε φως προσαρμογής με γειωμένα ηλεκτρικά εργαλεία.

Τα μη τροποποιημένα φως και οι κατάλληλες πρίζες μειώνουν τον κίνδυνο ηλεκτροπληξίας.

b) Αποφύγετε τη σωματική επαφή με γειωμένες επιφάνειες όπως σωλήνες, θερμάστρες, μαγειρικές συσκευές και ψυγεία.

Υπάρχει αυξημένος κίνδυνος ηλεκτροπληξίας όταν το σώμα σας είναι γειωμένο.

c) Μην εκθέτετε τα ηλεκτρικά εργαλεία στη βροχή ή σε συνθήκες υγρασίας.

Το νερό που εισέρχεται σε ένα ηλεκτρικό εργαλείο αυξάνει τον κίνδυνο ηλεκτροπληξίας.

d) Μην ασκείτε δύναμη στο καλώδιο. Μη χρησιμοποιείτε ποτέ το καλώδιο για να μεταφέρετε, να τραβήξετε ή να βγάλετε από την πρίζα το ηλεκτρικό εργαλείο.

Κρατήστε το καλώδιο μακριά από θερμότητα, λάδι, κοφτερές γωνίες και κινούμενα μέρη.

Τα κατεστραμμένα ή μπερδεμένα καλώδια αυξάνουν τον κίνδυνο ηλεκτροπληξίας.

e) Όταν χρησιμοποιείτε το εργαλείο σε εξωτερικό χώρο, χρησιμοποιήστε καλώδιο προέκτασης που προορίζεται για χρήση σε εξωτερικό χώρο.

Η χρήση ενός καλωδίου κατάλληλου για εξωτερικό χώρο μειώνει τον κίνδυνο ηλεκτροπληξίας.

3) Προσωπική ασφάλεια

a) Να είστε σε ετοιμότητα, να βλέπετε αυτό που κάνετε και να χρησιμοποιείτε την κοινή λογική όταν χρησιμοποιείτε ένα ηλεκτρικό εργαλείο.

Μη χρησιμοποιείτε ηλεκτρικά εργαλεία όταν είστε κουρασμένοι ή υπό την επήρεια ναρκωτικών ουσιών, οινοπνεύματος ή φαρμάκων.

Μια στιγμή απροσεξίας κατά τη χρήση ενός ηλεκτρικού εργαλείου μπορεί να προκαλέσει σοβαρό προσωπικό τραυματισμό.

b) Χρησιμοποιείτε εξοπλισμό ασφαλείας, Να φοράτε πάντοτε προστατευτικά γυαλιά για τα γυαλιά.

Εξοπλισμός ασφαλείας όπως μάσκα για τη σκόνη, αντιολισθητικά υποδήματα, σκληρό κάλυμμα κεφαλής ή προστατευτικό ακοής που χρησιμοποιούνται στις αντίστοιχες συνθήκες μειώνουν τις πιθανότητες τραυματισμού.

c) Να αποφεύγετε την κατά λάθος έναρξη λειτουργίας. Να βεβαιώνετε ότι ο διακόπτης είναι στην κλειστή θέση (off) πριν τοποθετήσετε το φως στην πρίζα.

Η μεταφορά ηλεκτρικών εργαλείων με το δάχτυλο στο διακόπτη λειτουργίας ή η σύνδεση ηλεκτρικών εργαλείων στο ρεύμα με το διακόπτη ανοιχτό αυξάνει τις πιθανότητες ατυχήματος.

d) Να αφαιρείτε τυχόν κλειδιά ρυθμιζόμενου ανοίγματος ή τα απλά κλειδιά πριν θέσετε σε λειτουργία το ηλεκτρικό εργαλείο.

Ένα απλό κλειδί ή ένα κλειδί ρυθμιζόμενου ανοίγματος που είναι προσαρτημένο σε βεβαιωμένο εξάρτημα του ηλεκτρικού εργαλείου μπορεί να προκαλέσει προσωπικό τραυματισμό.

e) Μην τεντώνετε. Να διατηρείτε πάντοτε το κατάλληλο πάτημα και την ισορροπία σας.

Με αυτόν τον τρόπο μπορείτε να ελέγχετε καλύτερα το ηλεκτρικό εργαλείο σε μη αναμενόμενες καταστάσεις.

f) Να είστε ντυμένοι κατάλληλα. Μη φοράτε φαρδιά ρούχα ή κοσμήματα. Να κρατάτε τα μαλλιά σας, τα ρούχα σας και τα γάντια σας μακριά από κινούμενα μέρη.

Τα φαρδιά ρούχα, τα κοσμήματα και τα μακριά μαλλιά μπορεί να πιαστούν σε κινούμενα μέρη.

g) Αν παρέχονται εξάρτηματα για τη σύνδεση συσκευών εξαγωγής και συλλογής σκόνης, να βεβαιώνετε ότι είναι συνδεδεμένα και χρησιμοποιούνται με το σωστό τρόπο.

Η χρήση αυτών των συσκευών μπορεί να μειώσει τους κινδύνους που σχετίζονται με τη σκόνη.

4) Χρήση και φροντίδα ηλεκτρικών εργαλείων

a) Μην ασκείτε δύναμη στο ηλεκτρικό εργαλείο. Να χρησιμοποιείτε το ηλεκτρικό εργαλείο που είναι κατάλληλο για το είδος της εργασίας που εκτελείτε.

Το κατάλληλο ηλεκτρικό εργαλείο θα εκτελέσει την εργασία καλύτερα και με μεγαλύτερη ασφάλεια με τον τρόπο που σχεδιάστηκε.

b) Μη χρησιμοποιήσετε το ηλεκτρικό εργαλείο αν ο διακόπτης λειτουργίας δεν ανοίγει και δεν κλείνει. Ένα ηλεκτρικό εργαλείο που δεν ελέγχεται από το διακόπτη λειτουργίας είναι επικίνδυνο και πρέπει να επισκευαστεί.

c) Βγάλετε το φως από την πρίζα πριν κάνετε οποιοδήποτε ρυθμίσεις, αλλάξτε εξάρτηματα ή αποθηκεύσετε το ηλεκτρικό εργαλείο. Αυτά τα προληπτικά μέτρα ασφαλείας μειώνουν τον κίνδυνο να ξεκινήσει το ηλεκτρικό εργαλείο κατά λάθος.

d) Αποθηκεύετε τα εργαλεία που δεν χρησιμοποιείτε μακριά από παιδιά και μην αφήνετε τα άτομα που δεν είναι εξοικειωμένα με το ηλεκτρικό εργαλείο ή με αυτές τις οδηγίες να χρησιμοποιούν το ηλεκτρικό εργαλείο.

Τα ηλεκτρικά εργαλεία είναι επικίνδυνα στα χέρια μη εκπαιδευμένων ατόμων.

e) Συντηρείτε τα ηλεκτρικά εργαλεία. Να ελέγχετε την ευθυγράμμιση τους ή το μπλοκάρισμα των

κινούμενων μερών, τη θραύση των εξαρτημάτων και οποιαδήποτε άλλη κατάσταση που ενδέχεται να επηρεάσει τη λειτουργία του ηλεκτρικού εργαλείου.

Σε περίπτωση θλάθης, το ηλεκτρικό εργαλείο πρέπει να επισκευαστεί πριν χρησιμοποιηθεί.

Πολλά ατυχήματα προκαλούνται από ηλεκτρικά εργαλεία που δεν έχουν συντηρηθεί σωστά.

f) Διατηρείτε τα εργαλεία κοπής κοφτερά και καθαρά. Τα κατάλληλα συντηρημένα εργαλεία κοπής με κοφτερές γωνίες μπλοκάρουν πιο δύσκολα και ελέγχονται πιο εύκολα.

g) Χρησιμοποιείτε το ηλεκτρικό εργαλείο, τα εξαρτήματα, τις μύτες των εργαλείων κλπ., σύμφωνα με αυτές τις οδηγίες και με τρόπο που είναι κατάλληλος για τον συγκεκριμένο τύπο ηλεκτρικού εργαλείου, λαμβάνοντας υπόψη τις συνθήκες εργασίας και την εργασία που πρόκειται να εκτελεστεί.

Η χρήση του ηλεκτρικού εργαλείου σε λειτουργίες διαφορετικές από εκείνες για τις οποίες προορίζεται μπορεί να δημιουργήσει επικίνδυνες καταστάσεις.

5) Σέρβις

a) Να δίνετε το ηλεκτρικό εργαλείο για σέρβις σε κατάλληλα εκπαιδευμένα άτομα και να χρησιμοποιείτε μόνο γνήσια ανταλλακτικά.

Με αυτόν τον τρόπο είστε σίγουροι για την ασφάλεια του ηλεκτρικού εργαλείου.

ΠΡΟΦΥΛΑΞΗ

Μακριά από τα παιδιά και τους αναπήρους.

Όταν δεν χρησιμοποιούνται, τα εργαλεία πρέπει να φυλάζονται μακριά από τα παιδιά και τους αναπήρους.

ΤΕΧΝΙΚΑ ΧΑΡΑΚΤΗΡΙΣΤΙΚΑ

Τάση (ανά περιοχές)*	(110 V, 115 V, 120 V, 127 V, 220 V, 230 V, 240 V) ~
Ισχύς εισόδου	1200 W*
Ικανότητα	Λεπίδα τρυπανιού: 45 mm Διάκενη Λεπίδα: 125 mm
Ταχύτητα χωρίς φορτίο	120 – 240 min ⁻¹
Ταχύτητα κρούσης πλήρους φορτίου	1250 – 2500 min ⁻¹
Βάρος (χωρίς καλώδιο και πλευρική λαβή)	8,0 kg

*Βεβαιωθείτε να ελέγξετε την πινακίδα στο προϊόν επειδή υπόκεινται σε αλλαγή σε εξάρτηση από την περιοχή.

ΚΑΝΟΝΙΚΑ ΕΞΑΡΤΗΜΑΤΑ

- (1) Θήκη 1
 (2) Πλευρική λαβή 1
 (3) Στόπερ 1
 (4) Γράσο σφύρας A 1
 Τα κανονικά εξαρτήματα μπορούν να αλλάξουν χωρίς προειδοποίηση.

ΠΡΟΑΙΡΕΤΙΚΑ ΕΞΑΡΤΗΜΑΤΑ

(πωλούνται ξεχωριστά)

1. Διαμπερές τρύπημα (Περιστροφή + Κρούση)



ΠΡΟΦΥΛΑΚΤΙΚΑ ΜΕΤΡΑ ΠΑΝΩ ΣΤΗ ΧΡΗΣΗ ΤΟΥ ΠΕΡΙΣΤΡΟΦΙΚΟΥ ΣΦΥΡΟΔΡΑΠΑΝΟΥ

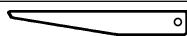
- Φοράτε ωτοασπίδες
Η έκθεση στο θόρυβο μπορεί να προκαλέσει απώλεια της ακοής.
- Μην αγκίζετε την λεπίδα κατά την διάρκεια ή αμέσως μετά το τέλος της λειτουργίας. Η λεπίδα γίνεται πολύ ζεστή κατά τη λειτουργία και μπορεί να προκαλέσει σοβαρά εγκαύματα.
- Πριν αρχίσετε τη θραύση, το κοπίδιασμα ή το τρύπημα του τοίχου, του δαπέδου ή της οροφής, επιβεβαιώστε καλά ότι δεν έχουν τοποθετηθεί μέσα αντικείμενα όμοια με ηλεκτρικά καλώδια ή αγωγοί.
- Χρησιμοποιείτε τις βοηθητικές λαβές που παρέχονται με το εργαλείο.
Η απώλεια ελέγχου μπορεί να προκαλέσει τραυματισμό.
- Πάντοτε κρατάτε τη λαβή του κορμού και την πλευρική λαβή του ηλεκτρικού εργαλείου γερά. Διαφορετικά η δύναμη αντίθετης κατεύθυνσης που παράγεται μπορεί να προκαλέσει ελαττωματική και ακόμα επικίνδυνη λειτουργία.
- Φοράτε μάσκα για τη σκόνη
Μην εισπνέετε τη βλαβερή σκόνη που παράγεται κατά τη διάτρηση ή τη λάξευση. Η σκόνη μπορεί να είναι βλαβερή για την υγεία τη δική σας ή για την υγεία των παρευρισκομένων.

- (1) Λεπίδα τρυπανιού (Στέλεχος SDS max)

Εξωτερική διάμετρος (mm)	Συνολικό μήκος (mm)
16	340, 540
19	
22	320, 520
25	
28	370, 570
32	
38	
40	

2. Άνοιγμα τρύπας άγκιστρου (Περιστροφή + Κρούση)

Λεπίδα τρυπανιού (Κωνικό στέλεχος)



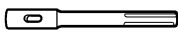
(3) Κόφτης

+



(1) Λεπίδα τρυπανιού (Κωνικό στέλεχος)

Εξωτερική διαμ.: 11, 12,3, 12,7, 14,3, 14,5, 17,5 mm



(2) Προσαρμογέας κωνικού

στελέχους (SDS max στέλεχος)

Προσαρμογέας κωνικού στέλεχους	Εφαρμόσιμη λεπίδα τρυπανιού
Morse κωνικό (Αρ. 1)	Λεπίδα τρυπανιού (Κωνικό στέλεχος) 11, 12,3, 12,7, 14,3, 14,5, 17,5 mm

Προσαρμογέας για SDS-plus στέλεχος λεπίδας



(1) Λεπίδα τρυπανιού (SDS-plus στέλεχος)



(2) Προσαρμογέας για SDS-plus στέλεχος λεπίδας (SDS max στέλεχος)

3. Άνοιγμα τρύπας μεγάλης διαμέτρου (Περιστροφή + Κρούση)



(Οδηγητική πλάκα) (1) Κεντρική περόνη (2) Διάκενη λεπίδα (3) Στέλεχος διάκενης λεπίδας (SDS max στέλεχος)

(1) Κεντρική περόνη

● Εφαρμόσιμη σε διάκενες λεπίδες από 38 mm έως 125 mm

● Εφαρμόσιμη σε διάκενες λεπίδες από 32 mm έως 35 mm

ΣΗΜΕΙΩΣΗ:

Μην χρησιμοποιήσετε διάκενες λεπίδες 25 mm ή 29 mm.

(2) Διάκενη λεπίδα

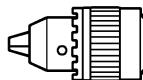
● Εξωτερική διάμετρος, 25, 29, 32, 35, 38, 45, 54, 64, 79, 94, 105, 120, 125 mm (με οδηγητική πλάκα, δεν είναι εφαρμόσιμη στους 25 mm ή 29 mm)

(3) Στέλεχος διάκενης λεπίδας

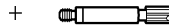
● Εφαρμόσιμη σε διάκενες λεπίδες πάνω από 38 mm

● Εφαρμόσιμη σε διάκενες λεπίδες κάτω από 35 mm

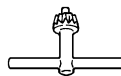
4. Άνοιγμα τρυπών Για τρύπημα μεταλλικών και ξύλινων υλικών



13 mm σφικτήρας τρυπανιού (13VLA)



Προσαρμογέας σφικτήρα (SDS max στέλεχος)

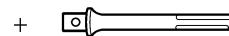


Κλειδί σφικτήρα

5. Λειτουργία τοποθέτησης μπουλονιού με Χημικό Άγκιστρο (Περιστροφή και + Κρούση)

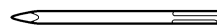


(Κανονική υποδοχή στην αγορά)



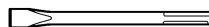
(SDS max στέλεχος) 12,7 mm Προσαρμογέας Χημικού Άγκιστρου 19 mm Προσαρμογέας Χημικού Άγκιστρου

6. Σύνθλιψη (Κρούση)



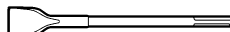
(1) Κύρια λεπίδα
Συνολικό μήκος: 280, 400 mm

7. Σκάψιμο αυλακώσεων και ξύσιμο (Κρούση)



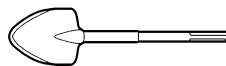
(1) Σμίλη κοπής εν ψυχρώ
Συνολικό μήκος: 280, 400 mm

8. Κόψιμο ασφάλτου (Κρούση)



(1) Κόφτης

9. Εργασία Φτυαρίσματος (Κρούση)



(1) Scoop

10. Διαμόρφωση Επιφάνειας (Κρούση)



(1) Εργαλείο λείανσης



(2) Στέλεχος

11. Συμπύση (Κρούση)

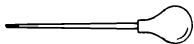


(1) Εμβολέας
150 x 150 mm



(2) Στέλεχος

12. Σύριγγα (για την αφαίρεση ξυσμάτων)



- Γράσο Σφυροδράπανου A
500 g (σε κουτί)
70 g (σε πράσινο σωληνάριο)
30 g (σε πράσινο σωληνάριο)

Τα προαιρετικά εξαρτήματα υπόκεινται σε αλλαγή χωρίς προειδοποίηση.

ΕΦΑΡΜΟΓΕΣ

- Ανοιγμα τρυπών σε ταϊμέντο
- Ανοιγμα τρυπών αγκίστρωσης
- Σύνθλιψη ταϊμέντου, αποκοπή κομματιών, σκάψιμο, και γωνιάσματα (χρησιμοποιώντας προαιρετικά εξαρτήματα)

ΠΡΙΝ ΤΗ ΛΕΙΤΟΥΡΓΙΑ

1. Πηγή ρεύματος

Βεβαιωθείτε ότι η πηγή ρεύματος που πρόκειται να χρησιμοποιηθεί είναι εναρμονιασμένη με τις απαιτήσεις σε ρεύμα που αναφέρεται στην πινακίδα του εργαλείου.

2. Διακόπτης ρεύματος

Βεβαιωθείτε ότι ο διακόπτης ρεύματος βρίσκεται στη θέση OFF. Αν το βίσμα είναι στη μπρίζα καθώς ο διακόπτης ρεύματος βρίσκεται στο ON, το εργαλείο θα αρχίσει να λειτουργεί αμέσως, με πιθανότητα πρόκλησης σοβαρού ατυχήματος.

3. Καλώδιο προέκτασης

Όταν ο χώρος εργασίας βρίσκεται μακριά από την παροχή ρεύματος, χρησιμοποιήστε ένα καλώδιο προέκτασης με κατάλληλο πάχος και ικανότητα μεταφοράς ρεύματος. Το καλώδιο προέκτασης πρέπει να είναι τόσο κοντό όσο είναι πρακτικά δυνατό.

4. Πώς να εγκαταστήσετε το εργαλείο**ΣΗΜΕΙΩΣΗ:**

Για εργαλεία όπως κύρια λεπίδα και σμίλη κοπής εν ψυχρώ, χρησιμοποιήστε μόνο αυθεντικά εξαρτήματα Hitachi.

(1) Καθαρίστε, μετά επαλείψετε το στέλεχος με το γράσο στο πράσινο σωληνάριο (**Εικ. 1**).

(2) Για να συνδέσετε το εργαλείο (SDS max στέλεχος), τοποθετήστε το μέσα στην τρύπα μέχρις ότου έρθει σε επαφή με το κατώτερο άκρο της τρύπας όπως φαίνεται στην **Εικ. 2**.

Αν συνεχίσετε να περιστρέψετε το εργαλείο με λίγη πίεση, μπορείτε να αισθανθείτε ένα σημείο στο οποίο κλειδώνει. Σε αυτό το σημείο, τραβήξτε τη λαβή προς τη διεύθυνση του σημαδιού του βέλους και βάλτε το εργαλείο μέσα μέχρι να φτάσει στο κατώτατο άκρο.

Η απελευθέρωση της λαβής επαναφέρει την λαβή και στερεώνει το εργαλείο στη θέση του.

(3) Τραβήξτε το εργαλείο για να αιγουρευτείτε ότι είναι κλειδωμένο εντελώς.

(4) Για να αφαιρέσετε το εργαλείο, πλήρως τραβήξτε την λαβή προς την διεύθυνση του βέλους και τραβήξτε έξω το εργαλείο.

5. Ρύθμιση του αριθμού των περιστροφών και κρούσης (Εικ. 3)

Αυτό το Περιστροφικό Σφυροδράπανο είναι εφοδιασμένο με ένα ενσωματωμένο ηλεκτρονικό κύκλωμα ελέγχου που μπορεί να προσαρμόσει και να ρυθμίσει τον αριθμό των περιστροφών και τους χρόνους κτυπημάτων. Αυτό το Περιστροφικό Σφυροδράπανο μπορεί να χρησιμοποιηθεί ρυθμίζοντας το καντράν, εξαρτόμενο από τις συνθήκες της λειτουργίας, όπως, ανοίγμα τρυπών σε εύθραυστα υλικά, σμίλευση, κεντράρισμα κλπ. Η κλίμακα "1" του καντράν είναι σχεδιασμένη για την ελάχιστη ταχύτητα με αριθμό περιστροφών 120 ανά λεπτό και 1250 αριθμό κτυπημάτων ανά λεπτό. Η κλίμακα "6" είναι σχεδιασμένη για μέγιστη ταχύτητα με αριθμό περιστροφών 240 ανά λεπτό και 2500 αριθμό κτυπημάτων ανά λεπτό.

ΠΡΟΣΟΧΗ:

Μην ρυθμίζετε το καντράν κατά την λειτουργία. Αν το κάποτε αυτό μπορεί να έχει ως αποτέλεσμα τον τραυματισμό επειδή το περιστροφικό σφυροδράπανο πρέπει να κρατιέται μόνο με το ένα χέρι, καθιστώντας ανίκανο τον σταθερό έλεγχο του Περιστροφικού Σφυροδράπανου.

ΠΩΣ ΝΑ ΧΡΗΣΙΜΟΠΟΙΗΣΕΤΕ ΤΟ ΠΕΡΙΣΤΡΟΦΙΚΟ ΣΦΥΡΟΔΡΑΠΑΝΟ

1. Πώς να ανοίξετε τρύπες (Εικ. 4)

(1) Τραβήξτε την σκανδάλη διακόπτη και μετά βάλτε την λεπίδα τρυπανιού στην θέση τρυπήματος.

(2) Δεν είναι αναγκαίο να πατήσετε με δύναμη τον κορμό του περιστροφικού σφυροδράπανου. Είναι επαρκές να πιέσετε ελαφρά το σφυροδράπανο στο σημείο όπου τα ξέσματα βγαίνουν ελεύθερα.

ΠΡΟΣΟΧΗ:

Παρότι αυτό το μηχάνημα είναι εφοδιασμένο με ένα συμπλέκτη ασφαλείας, αν η λεπίδα τρυπανιού σφηνώσει μέσα σε ταϊμέντο ή άλλο υλικό, το προκαλούμενο σταμάτημα της λεπίδας τρυπανιού μπορεί ως αντίδραση να προκαλέσει την περιστροφή του σώματος τρυπανιού. Εξασφαλίστε ότι η κύρια λαβή και η πλευρική λαβή είναι πιασμένες γερά κατά την λειτουργία.

2. Πώς να πελεκίσετε ή να θραύσετε (Εικ. 5)

Με το να βάλτε την λεπίδα τρυπανιού πάνω στη θέση πελέκησης ή θραύσης λειτουργήστε το περιστροφικό σφυροδράπανο χρησιμοποιώντας μόνο το βάρος του.

Δεν χρειάζεται να το πιέζετε ή να το σπρώχνετε με δύναμη.

3. Όταν τρυπανίζετε στη "περιστροφή + κρούση":**ΠΡΟΣΟΧΗ:**

Αν στρέψετε το μοχλό επιλογής καθώς περιστρέφεται το μοτέρ, το εργαλείο μπορεί αρχίσει να περιστρέφεται απότομα, προκαλώντας απρόβλεπτα ατυχήματα. Βεβαιωθείτε να στρέψετε τον μοχλό επιλογής όταν το μοτέρ είναι σταματημένο εντελώς.

(1) Αλλαγή στο "περιστροφή + κρούση"

(a) Πατήστε το κουμπί, ξεκλειδώστε και στρέψετε το μοχλό επιλογής προς τα δεξιά.

(b) Ευθυγραμμίστε το ▲ του μοχλού επιλογής και το **IT** του μοχλού στήριξης όπως φαίνεται στην **Εικ. 6**.

(c) Ελευθερώστε το κουμπί για να κλειδώσει ο μοχλός επιλογής.

ΣΗΜΕΙΩΣΗ:

Στρέψτε το μοχλό επιλογής (μην πατήσετε το κουμπί) για να ελέγξετε αν έχει εντελώς κλειδώσει και εξασφαλίστε ότι δεν περιστρέφεται.

4. Όταν πελεκίζετε και θρυμματίζεται στο “κρούση”:

ΠΡΟΣΟΧΗ:

- Αν στρέψετε το μοχλό επιλογής καθώς περιστρέφεται το μοτέρ, το εργαλείο μπορεί αρχίσει να περιστρέφεται απότομα, προκαλώντας απρόβλεπτα ατυχήματα. Βεβαιωθείτε να στρέψετε τον μοχλό επιλογής όταν το μοτέρ είναι σταματημένο εντελώς.
- Αν η κύρια λεπίδα ή η σμίλη κοπής εν ψυχρώ χρησιμοποιούνται στη θέση “περιστροφή + κρούση”, το εργαλείο μπορεί να αρχίσει να περιστρέφεται, προκαλώντας απρόσμενα ατυχήματα. Σιγουρευτείτε ότι χρησιμοποιούνται στη θέση “κρούση”.

(1) Αλλαγή στο “κρούση”

- (a) Πατήστε το κουμπί, ξεκλειδώστε και στρέψτε το μοχλό επιλογής προς τα αριστερά.
- (b) Ευθυγραμμίστε το ▲ του μοχλού επιλογής και το ▼ του μοχλού στήριξης όπως φαίνεται στην **Εικ. 7**.

(c) Ελευθερώστε το κουμπί για να κλειδώσει ο μοχλός επιλογής.

ΣΗΜΕΙΩΣΗ:

Στρέψτε το μοχλό επιλογής (μην πατήσετε το κουμπί) για να ελέγξετε αν έχει εντελώς κλειδώσει και εξασφαλίστε ότι δεν περιστρέφεται.

- (2) Όταν στερεώνετε τις θέσεις εργασίας των εργαλείων όπως σμίλη κοπής εν ψυχρώ κλπ.
 - (a) Πατήστε το κουμπί, ξεκλειδώστε και στρέψτε το μοχλό επιλογής.
 - (b) Ευθυγραμμίστε το ▲ του μοχλού επιλογής και το ▼ του μοχλού στήριξης όπως φαίνεται στην **Εικ. 8**.
 - (c) Ελευθερώστε το κουμπί για να κλειδώσει ο μοχλός επιλογής.
 - (d) Περιστρέψτε την λαβή όπως φαίνεται στην **Εικ. 9** και στερεώστε το εργαλείο στην επιθυμητή διεύθυνση εργασίας.
 - (e) Στρέψτε τον μοχλό επιλογής στο “κρούση” σύμφωνα με τις διαδικασίες που αναφέρονται στο παραπάνω σημείο (1) και ασφαλίστε την θέση του εργαλείου.

5. Τοποθέτηση του στόπερ (Εικ. 10)

- (1) Ξεσφίξτε την πλευρική λαβή και βάλτε το ίδιο τμήμα του στόπερ μέσα στην τρύπα του μπουλονιού της λαβής.
- (2) Μετακινήστε το στόπερ στην καθορισμένη θέση και περιστρέψτε το πιάσιμο της πλευρικής λαβής προς τα δεξιά για να στερεώσετε το στόπερ.

6. Ζέσταμα (Εικ. 11)

Το σύστημα λίπανσης σε αυτή τη συσκευή μπορεί να απαιτεί ζέσταμα σε ψυχρές περιοχές.

Τοποθετήστε το άκρο της λεπίδας έτσι ώστε να κάνει επαφή με το τσιμέντο, ανοίξτε το διακόπτη και εκτελέστε την λειτουργία ζεστάματος. Σιγουρευτείτε ότι ένας ήχος κτυπήματος παράγεται όταν χρησιμοποιείτε την συσκευή.

ΠΡΟΣΟΧΗ:

Όταν εκτελεστεί η λειτουργία ζεστάματος, κρατήστε την πλευρική λαβή και το κύριο κορμό γερά με τα δύο σας χέρια για να διατηρήσετε μια σταθερή λαβή και να είστε προσεκτικοί να μην στρέψετε το σώμα σας από μια σφηνωμένη λεπίδα τρυπανιού.

ΛΕΙΤΟΥΡΓΙΕΣ ΤΡΥΠΗΜΑΤΟΣ ΚΑΙ ΒΙΔΩΜΑΤΩΣ ΓΙΑ ΑΓΚΙΣΤΡΑ

1. Όταν ένας προσαρμογέας κωνικού στελέχους χρησιμοποιείται. (Εικ. 12)

- (1) Εγκαταστήστε την λεπίδα τρυπανιού με το κωνικό στέλεχος στον προσαρμογέα κωνικού στελέχους.
- (2) Ανοίξτε την παροχή ρεύματος και ανοίξτε μια βασική τρύπα στο ενδεικτικό βάθος της αυλάκωσης στην λεπίδα τρυπανιού.
- (3) Αφότου βγάλετε την σκόνη με τη σύριγγα, συνδέστε το βύσμα στην άκρη του αγκίστρου και βάλτε μέσα το άγκιστρο με τη βοήθεια ενός κοινού σφυριού.
- (4) Για να αφαιρέσετε την λεπίδα τρυπανιού (κωνικός άξονας), βάλτε τον κόφτη μέσα την τρύπα του προσαρμογέα του κωνικού στελέχους και κτυπήστε την κεφαλή του κόφτη με ένα κοινό σφυρί υποστηριζόμενος σε ένα στήριγμα. (Εικ. 13)

ΧΡΗΣΙΜΟΠΟΙΩΝΤΑΣ ΤΟΝ ΣΦΙΚΤΗΡΑ ΤΡΥΠΑΝΙΟΥ, ΤΟΝ ΠΡΟΣΑΡΜΟΓΕΑ ΤΟΥ ΣΦΙΚΤΗΡΑ

Σημειώστε ότι αυτό το μηχάνημα μπορεί να χρησιμοποιηθεί στην “περιστροφή μόνο” αν συνδεθούν τα παλωμένα ξεχωριστά εξαρτήματα όπως σφικτήρας τρυπανιού και προσαρμογέας σφικτήρα. Χρησιμοποιήστε το με τον μοχλό επιλογής τοποθετημένο στο “περιστροφή + κρούση”.

ΠΡΟΣΟΧΗ:

- Κατά τη λειτουργία, εξασφαλίστε να πιάσετε τη λαβή και την πλευρική λαβή γερά για να αποφύγετε την ταλάντευση του σώματός σας.
- (1) Αλλαγή στο “περιστροφή + κρούση”
Για την αλλαγή στο “περιστροφή + κρούση” ακολουθήστε τις ίδιες διαδικασίες που αναφέρονται στο [3]. Όταν τρυπανίζετε στη “περιστροφή + κρούση”].
 - (2) Σύνδεση του προσαρμογέα σφικτήρα στο σφικτήρα τρυπανιού (Εικ. 14)
 - (a) Συνδέστε τον προσαρμογέα σφικτήρα στο σφικτήρα τρυπανιού.
 - (b) Το SDS max στέλεχος του προσαρμογέα του σφικτήρα είναι ίδιο με την λεπίδα τρυπανιού. Επομένως, ακολουθήστε την ίδια διαδικασία όπως [Πώς να εγκαταστήσετε το εργαλείο] για την σύνδεση και την αποσύνδεση.
 - (3) Τρυπάνισμα
 - (a) Ακόμα και αν βάλτε πίεση παραπάνω από ότι απαιτείται στον κορμό του μηχανήματος, το τρυπάνισμα ποτέ δεν θα εκτελεστεί τόσο γρήγορα όσο θα περιμένετε. Βάζοντας περισσότερο δύναμη ή πίεση στον κορμό του μηχανήματος, αντίθετα, προκαλεί ζημιά στην άκρη της λεπίδας, προκαλώντας την ελάττωση της απόδοσης εργασίας και του χρόνου ζωής του μηχανήματος.
 - (b) Το τρυπάνι μπορεί να κροταλίσει μερικές φορές όταν το τρυπάνισμα έχει σχεδόν ολοκληρωθεί. Είναι σημαντικό να ελαττώσετε την πίεση ώθησης όταν το τρυπάνισμα φτάνει κοντά στο τέλος του.

ΠΩΣ ΝΑ ΧΕΙΡΙΣΤΕΙΤΕ ΜΙΑ ΔΙΑΚΕΝΗ ΛΕΠΙΔΑ

Όταν μια διάκενη λεπίδα χρησιμοποιείται, τρύπες μεγάλης διαμέτρου και τυφλές τρύπες μπορούν να ανοιχτούν. Σε αυτή την περίπτωση, χρησιμοποιήστε προαιρετικά εξαρτήματα για διάκενες λεπίδες (όπως κεντρική περόνη και στέλεχος διάκενης λεπίδας) για πιο αποτελεσματική λειτουργία.

1. Στερέωση

ΠΡΟΣΟΧΗ

Πριν τη στερέωση της διάκενης λεπίδας, πάντοτε να αποσυνδέεται το βύσμα από την υποδοχή της παροχής ρεύματος.

- (1) Στερεώστε την διάκενη λεπίδα στο στέλεχος της διάκενου λεπίδας. **(Εικ. 15)**
Πριν από αυτό, βάλτε λάδι στη κοχλιωτό τμήμα του στελέχους της διάκενης λεπίδας για ευκολία στην αποσύνδεση.
- (2) Στερεώστε το στέλεχος της διάκενης λεπίδας στο κύριο κορμό κατά τον ίδιο τρόπο όπως κατά τη στερέωση της λεπίδας τρυπανιού και της κύριας λεπίδας. **(Εικ. 16)**
- (3) Βάλτε την κεντρική περόνη μέσα στο οδηγητική πλάκα μέχρι να φτάσει την άκρη.
- (4) Προσαρμόστε την οδηγητική πλάκα ευθυγραμμίζοντας το κυρτό τμήμα με την άκρη της διάκενης λεπίδας. Όταν η θέση του κυρτού τμήματος μετακινηθεί, στρέφοντας την οδηγητική πλάκα αριστερά ή δεξιά, η οδηγητική πλάκα δεν γλιστρά ποτέ, ακόμα και αν το τρυπάνι χρησιμοποιηθεί με διέυθυνση προς τα κάτω. **(Εικ. 17)**

2. Άνοιγμα τρυπών

- (1) Βάλτε το βύσμα στην πρίζα.
- (2) Ένα ελατήριο υπάρχει στην κεντρική περόνη. Πατώντας το ευθεία και ελαφρά στον τοίχο ή στην επιφάνεια του παπέδου, ολόκληρη η επιφάνεια της άκρης της διάκενης λεπίδας έρχεται σε επαφή για να αρχίσει η εργασία ανοίγματος της τρύπας. **(Εικ. 18)**
- (3) Όταν ο βάθος της τρύπας φτάσει περίπου στα 5 mm, η θέση της τρύπας μπορεί να καθοριστεί. Μετά αφαιρέστε την κεντρική περόνη και την οδηγητική πλάκα από την διάκενη λεπίδα και συνεχίστε την εργασία ανοίγματος της τρύπας.

ΠΡΟΣΟΧΗ:

Όταν αφαιρείτε την κεντρική περόνη και την οδηγητική πλάκα, πάντοτε να αποσυνδέεται το βύσμα από την πρίζα.

3. Πώς να αποσυναρμολογήσετε την διάκενη λεπίδα

- Κρατώντας το περιστροφικό σφυροδράπανο (με την διάκενη λεπίδα μέσα) σε θέση προς τα επάνω, λειτουργήστε το περιστροφικό σφυροδράπανο για να εκτελέσει επαναλαμβανόμενα δύο ή τρεις φορές την λειτουργία κρούσης, με αυτόν τον τρόπο η βίδα ξεσφίγγει και το περιστροφικό σφυροδράπανο είναι έτοιμο για αποσυναρμολόγηση. **(Εικ. 19)**
- Αφαιρέστε το στέλεχος της διάκενης λεπίδας από το περιστροφικό σφυροδράπανο, κρατήστε την διάκενη λεπίδα με το ένα χέρι, και κτυπήστε γερά το τμήμα του στελέχους της κεφαλής του SDS max του στελέχους της διάκενης λεπίδας με ένα κοινό σφυρί δυο ή τρεις φορές, με τον τρόπο αυτό η βίδα κυρτής κεφαλής ξεσφίγγει και το περιστροφικό σφυροδράπανο είναι έτοιμο για αποσυναρμολόγηση. **(Εικ. 20)**

ΠΩΣ ΝΑ ΑΝΤΙΚΑΤΑΣΤΗΣΕΤΕ ΤΟ ΓΡΑΣΟ

Αυτό το μηχανήμα έχει πλήρως αεροστεγή κατασκευή για την προστασία ενάντια σε σκόνη και την αποφυγή της διαρροής του λιπαντικού. Επομένως, η μηχανήμα μπορεί να χρησιμοποιηθεί χωρίς λιπανση για μακρές περιόδους. Αντικαταστήστε το γράσο όπως περιγράφεται παρακάτω.

1. Περίοδος αντικατάστασης του γράσου

Μετά την αγορά, αντικαταστήστε το γράσο μετά από κάθε 6 μήνες χρήσης. Απευθυνθείτε για την αντικατάσταση του γράσου στον πλησιέστερο εξουσιοδοτημένο κέντρο Εξυπηρέτησης Hitachi. Προχωρήστε στην αντικατάσταση του γράσου.

2. Αναπλήρωση γράσου

ΠΡΟΣΟΧΗ:

Πριν αναπληρώσετε το γράσο, κλείστε την παροχή ρεύματος και βγάλετε την πρίζα.

- (1) Αφαιρέστε το κάλυμμα του στροφάλου και σκουπίστε το γράσο στο εσωτερικό. **(Εικ. 21)**
- (2) Βάλτε 30 g γράσο του Α Ηλεκτρικού Σφυροδράπανου της Hitachi (Κανονικό εξάρτημα, περιχέεται σε σωληνάριο) στη θήκη του στροφάλου.
- (3) Μετά την αναπλήρωση του γράσου, βάλτε το κάλυμμα του στροφάλου με ασφάλεια.

ΣΗΜΕΙΩΣΗ:

Το γράσο Ηλεκτρικού Σφυροδράπανου της Hitachi Α είναι τύπου χαμηλής ρευστότητας. Αν είναι αναγκαίο αγοράστε το από ένα εξουσιοδοτημένο κέντρο Εξυπηρέτησης Hitachi.

ΣΥΝΤΗΡΗΣΗ ΚΑΙ ΕΛΕΓΧΟΣ

1. Έλεγχος του εργαλείου

Επειδή ένα αμβλύ εργαλείο θα ελαττώσει την αποδοτικότητα και θα προκαλέσει πιθανή δυσλειτουργία του μοτέρ, ακονίστε ή αντικαταστήστε το εργαλείο όταν διαπιστωθεί φθορά.

2. Έλεγχος των βιδών στερέωσης

Ελέγχετε περιοδικά όλες τις βίδες στερέωσης και βεβαιωθείτε ότι είναι κατάλληλα σφιγμένες. Στην περίπτωση που χαλαρώσει οποιαδήποτε βίδα σφίξτε την ξανά αμέσως. Αν δεν το κάνετε αυτό μπορεί να έχει ως αποτέλεσμα το σοβαρό τραυματισμό.

3. Συντήρηση του μοτέρ

Η περιέλιξη της μονάδα του μοτέρ είναι η καρδιά του ηλεκτρικού εργαλείου. Δώστε μεγάλη προσοχή για να σιγουρευτείτε ότι η περιέλιξη δεν θα πάθει ζημιά και / ή θα βρεχθεί με λάδι ή νερό.

4. Έλεγχος στα καρβουνάκια (Εικ. 22)

Το Μοτέρ χρησιμοποιεί καρβουνάκια τα οποία είναι αναλώσιμα μέρη. Όταν φθαρούν ή όταν φθάσουν κοντά στο “δρόμο φθοράς”, μπορεί να προκληθεί πρόβλημα στο μοτέρ. Όταν παρασχεθεί ένα καρβουνάκι αυτόματης διακοπής, το μοτέρ θα σταματήσει αυτόματα. Σε αυτή τη χρονική στιγμή, αντικαταστήστε και τα δυο καρβουνάκια με καινούργια τα οποία έχουν τους ίδιους Αριθμούς άνθρωκα που φαίνονται στην εικόνα. Επιπρόσθετα, πάντοτε κρατάτε τα καρβουνάκια καθαρά και εξασφαλίστε ότι ολιωθούνται ελεύθερα ανάμεσα στις θήκες.

5. Αντικατάσταση των καρβουνακίων

Χαλαρώστε τις δυο ρυθμιστικές βίδες και αφαιρέστε το πίσω κάλυμμα. Αφαιρέστε τα καλύμματα των ψηκτρών και τα καρβουνακία. Μετά την αντικατάσταση των καρβουνακίων, σφίξτε τα καλύμματα των ψηκτρών και τοποθετήστε το πίσω κάλυμμα με ασφάλεια σφίγγοντας της δυο ρυθμιστικές βίδες.

6. Λίστα συντήρησης των μερών

A: Αρ. Αντικειμένου

B: Αρ. Κωδικού

C: Αρ. που χρησιμοποιήθηκε

D: Παρατηρήσεις

ΠΡΟΣΟΧΗ

Η επισκευή, η τροποποίηση και ο έλεγχος των Ηλεκτρικών Εργαλείων Hitachi πρέπει να γίνεται από ένα Εξουσιοδοτημένο Κέντρο Σέρβις της Hitachi.

Αυτή η λίστα των Μερών θα είναι χρήσιμη αν παρουσιαστεί μαζί με το εργαλείο στο Εξουσιοδοτημένο Κέντρο Σέρβις της Hitachi όταν ζητάτε επισκευή ή κάποια άλλη συντήρηση.

Κατά τον έλεγχο και τη συντήρηση των ηλεκτρικών εργαλείων, οι κανόνες ασφαλείας και οι κανονισμοί που υπάρχουν σε κάθε χώρα πρέπει να ακολουθούνται.

ΤΡΟΠΟΠΟΙΗΣΗ

Τα Ηλεκτρικά Εργαλεία Hitachi βελτιώνονται συνεχώς και τροποποιούνται για να συμπεριλάβουν τις τελευταίες τεχνολογικές προόδους.

Κατά συνέπεια, ορισμένα τμήματα (δηλ. κωδικοί αριθμοί και / ή σχεδιασμός) μπορούν να αλλάξουν χωρίς προηγούμενη ειδοποίηση.

ΣΗΜΕΙΩΣΗ:

Εξαιτίας του συνεχιζόμενου προγράμματος έρευνας και ανάπτυξης της HITACHI τα τεχνικά χαρακτηριστικά που εδώ αναφέρονται μπορούν να αλλάξουν χωρίς προηγούμενη ειδοποίηση.

Πληροφορίες που αφορούν τον εκπεμπόμενο θόρυβο και τη δόνηση.

Οι τιμές μετρήθηκαν σύμφωνα με το EN60745 και βρέθηκαν σύμφωνες με το ISO 4871.

Μετρηθείσα τυπική στάθμη ηχητικής ισχύος A: 105 dB (A)
Μετρηθείσα τυπική στάθμη ηχητικής πίεσης A: 94 dB (A)
Αβεβαιότητα KpA: 3 dB (A)

Φοράτε προστατευτικά αυτιών.

Μια τυπική τιμή ρίζας μέσης τετραγωνικής επιτάχυνσης:
11,4 m/s²

OGÓLNE WSKAZÓWKI BEZPIECZEŃSTWA

OSTRZEŻENIE!

Należy przeczytać wszystkie instrukcje

Nieprzestrzeganie któregośkolwiek z zamieszczonych poniżej zaleceń może być przyczyną porażenia prądem elektrycznym, pożaru i/lub poważnych obrażeń ciała. Występujące w poniższych ostrzeżeniach wyrażenie "urządzenie elektryczne" oznacza urządzenia zasilane z sieci elektrycznej (za pomocą przewodu) lub baterii (bezwzględnie).

INSTRUKCJE POWINNY BYĆ ZACHOWANE NA PRZYSZŁOŚĆ

1) Miejsce pracy

- a) **Miejsce pracy powinno być uprzątnięte i czyste.**
W miejscach nieuporządkowanych i źle oświetlonych ryzyko wypadku jest większe.
- b) **Nie należy używać urządzeń elektrycznych w przypadku zagrożenia wybuchem, na przykład w obecności łatwopalnych płynów, gazów lub pyłów.**
Urządzenia elektryczne wytwarzają iskry, które mogą spowodować zapłon pyłu.
- c) **Dzieci i osoby postronne nie powinny znajdować się w pobliżu pracującego urządzenia elektrycznego.**
Odwroćenie uwagi użytkownika może spowodować utratę kontroli nad urządzeniem.

2) Bezpieczeństwo elektryczne

- a) **Wtyczka urządzenia elektrycznego musi być odpowiednia do gniazdka.**
Nigdy nie należy w jakikolwiek sposób przerabiać wtyczki.
Nie używać jakichkolwiek elementów łączących z urządzeniami wymagającymi uziemienia.
Używanie tylko oryginalnych wtyczek pasujących do gniazdka ogranicza ryzyko porażenia prądem elektrycznym.
- b) **Unikać kontaktu z przedmiotami uziemionymi, takimi jak rury, kaloryfery, kuchenki i urządzenia chłodnicze.**
W przypadku dotykania uziemienia ryzyko porażenia prądem elektrycznym jest większe.
- c) **Nie narażać urządzeń elektrycznych na działanie deszczu lub wilgoci.**
Przedostanie się wody do urządzenia zwiększa ryzyko porażenia prądem elektrycznym.
- d) **Odpowiednio używać przewodów zasilających. Nigdy nie wykorzystywać przewodu do przenoszenia lub ciągnięcia urządzenia lub też wyciągania wtyczki z gniazdka.**
Utrzymywać przewód z dala od źródeł ciepła, oleju, ostrych krawędzi lub części ruchomych.
Uszkodzenie lub nacięcie przewodu zwiększa ryzyko porażenia prądem elektrycznym.
- e) **Podczas pracy z urządzeniem elektrycznym na wolnym powietrzu należy używać odpowiedniego przedłużacza.**
Używanie przedłużacza przeznaczonego do pracy na wolnym powietrzu zmniejsza ryzyko porażenia prądem elektrycznym.

3) Bezpieczeństwo osobiste

- a) **Podczas pracy z urządzeniem elektrycznym należy zachowywać koncentrację i planować wykonywane zadania, kierując się zdrowym rozsądkiem.**

Urządzenia elektryczne nie powinny obsługiwać osoby zmęczone lub znajdujące się pod wpływem substancji odurzających, alkoholu lub lekarstw.

Chwila nieuwagi podczas pracy z urządzeniem może stać się przyczyną poważnych obrażeń.

- b) **Używać wyposażenia ochronnego. Zawsze nosić okulary ochronne.**
Używanie wyposażenia ochronnego, takiego jak maski przeciwpyłowe, buty przeciwpoślizgowe, odpowiednie nakrycie głowy i słuchawki ogranicza ryzyko obrażeń ciała.
 - c) **Unikać nieprzewidzianego uruchomienia urządzenia. Przed włożeniem wtyczki do gniazdka upewnić się, że urządzenie jest wyłączone.**
Przenoszenie urządzenia z palcem na włączniku lub podłączenie do sieci włączonego urządzenia może spowodować wypadek.
 - d) **Przed włączeniem urządzenia usunąć wszelkiego rodzaju klucze regulacyjne.**
Pozostawienie klucza w ruchomej części urządzenia może spowodować obrażenia.
 - e) **Nie trzymać urządzenia zbyt daleko od siebie. Zachować stabilną pozycję przez cały czas.**
Umożliwia to pełne panowanie nad urządzeniem, nawet w nieoczekiwanych sytuacjach.
 - f) **Nosić odpowiednią odzież. Nie należy nosić luźnych ubrań oraz biżuterii. Utrzymywać włosy, odzież i rękawice z dala od ruchomych części urządzenia.**
Luźne ubrania, biżuteria lub długie włosy mogą zostać wciągnięte przez poruszające się części.
 - g) **Jeżeli urządzenie wyposażone jest w system odprowadzania pyłu, powinien on być założony i właściwie używany.**
Użycie tego rodzaju urządzeń ograniczy zagrożenia związane z gromadzeniem się pyłu.
- 4) **Obsługa i konserwacja urządzenia**
- a) **Nie dociskać urządzenia zbyt mocno. Należy używać tylko właściwego urządzenia, odpowiedniego dla wykonywanej pracy.**
Użycie odpowiedniego urządzenia spowoduje, że praca zostanie wykonana lepiej i bezpieczniej.
 - b) **Nie używać urządzenia elektrycznego, którego wyłącznik jest niesprawny.**
Urządzenie, które nie może zostać wyłączone za pomocą wyłącznika, jest niebezpieczne i musi zostać przeznaczone do naprawy.
 - c) **Przed przystąpieniem do jakichkolwiek prac, jak na przykład wymiana akcesoriów, urządzenie musi zostać wyłączone z sieci. To samo dotyczy przechowywania urządzenia nieużywanego.**
Umożliwi to zmniejszenie ryzyka nieprzewidzianego uruchomienia urządzenia.
 - d) **Urządzenia elektryczne powinny być przechowywane poza zasięgiem dzieci oraz wszelkich osób nie znających zasad funkcjonowania i obsługi tego typu urządzeń.**
Obsługa urządzeń elektrycznych przez osoby nie znające zasad ich funkcjonowania jest niebezpieczna.
 - e) **Wykonywać odpowiednie prace konserwacyjne. Kontrolować prawidłowość ustawienia części ruchomych, ich uszkodzenia i wszelkie inne kwestie, mogące spowodować nieprawidłową pracę urządzenia.**

Uszkodzone urządzenie powinno zostać natychmiast przekazane do naprawy.

Wiele wypadków spowodowane jest niewłaściwą konserwacją urządzeń elektrycznych.

- f) **Narzędzia tnące powinny być naostrzone i czyste.**
Odpowiednio naostrzone narzędzia nie będą się wyginać i są łatwiejsze w używaniu.
- g) **Urządzenie elektryczne, akcesoria, wiertła itd. powinny być używane zgodnie z niniejszymi zaleceniami oraz w sposób odpowiadający wykonywanej pracy, przy uwzględnieniu warunków panujących w otoczeniu.**
Wykorzystanie urządzenia elektrycznego do pracy, do której nie jest ono przeznaczone, grozi wypadkiem.

5) Serwis

- a) **Urządzenie powinno być serwisowane tylko przez osoby posiadające odpowiednie kwalifikacje, przy użyciu wyłącznie identycznych, oryginalnych części zamiennych.**
Zapewni to utrzymanie pełnego bezpieczeństwa pracy z urządzeniem.

ŚRODKI OSTROŻNOŚCI

Dzieci i osoby niepełnosprawne nie powinny znajdować się w pobliżu urządzenia.

Nie używane urządzenie powinno być przechowywane w miejscu poza zasięgiem dzieci i osób niepełnosprawnych.

DANE TECHNICZNE

Napięcie (w zależności od miejsca)*	(110V, 115V, 120V, 127V, 220V, 230V, 240V) ~
Moc pobierana	1200 W*
Możliwości	Wiertło: 45 mm Koronka rdzeniowa: 125 mm
Prędkość obrotowa bez obciążenia	120 - 240 obrotów na min ⁻¹
Prędkość obrotowa z obciążeniem	1250 - 2500 na min ⁻¹
Waga (bez kabla i uchwytu bocznego)	8,0 kg

*Sprawdź nazwę produktu, jako że ulega ona zmianie w zależności od miejsca zakupu.

WYPOSAŻENIE STANDARDOWE

- (1) Pudełko 1
 (2) Boczny uchwyt 1
 (3) Zatyczka 1
 (4) Smar A 1
 Wyposażenie standardowe może ulec zmianie bez uprzedzenia.

MOŻLIWE WYPOSAŻENIE DODATKOWE (sprzedawane oddzielnie)

1. Wiercenie na wylot (Obroty + Uderzenia)



ŚRODKI OSTROŻNOŚCI PRZY UŻYCIU MŁOTOWIERTARKI

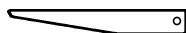
- Należy nosić słuchawki ochronne
Narażenie na hałas może spowodować utratę słuchu.
- Nie dotykaj wiertła w trakcie lub natychmiast po zakończeniu pracy. Wiertło rozgrzewa się do wysokich temperatur i może spowodować poważne poparzenia.
- Zanim zaczniesz rozbijać lub przewiercać ścianę, podłogę lub sufit upewnij się, że wewnątrz nie ma elektrycznych kabli ani przewodów.
- Należy używać uchwytów pomocniczych, dostarczonych wraz z narzędziem.
Utrata kontroli nad urządzeniem może spowodować obrażenia ciała.
- Zawsze mocno trzymaj uchwyty narzędzia. Inaczej siła obrotowa może spowodować zagrożenie.
- Należy nosić maskę przeciwpyłową
Nie wdychać szkodliwych pyłów, wytwarzanych podczas wiercenia lub dłutowania. Pył może stanowić zagrożenie dla zdrowia operatora i osób postronnych.

(1) Wiertło (uchwyt SDS max)

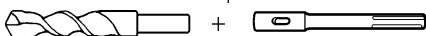
Średnica zewnętrzna w mm	Długość całkowita w mm
16	340, 540
19	
22	320, 520
25	
28	370, 570
32	
38	
40	

2. Wiercenie otworów przy użyciu zaczepu (Obroty + Uderzenia)

Wiertło (ze stożkowym uchwytem)



(3) Klin do wybijania



- (1) Wiertło ze stożkowym uchwytem Średnica zewnętrzna: 11, 12,3, 12,7, 14,3, 14,5, 17,5 mm
- (2) Uchwyt do wiertła ze stożkiem Morsa (SDS max zakończenie)

Adaptor ze stożkowym zakończeniem	Wiertło aplikacyjne
Stożek Morsa (nr 1)	Wiertło (stożkowy uchwyt) 11, 12,3, 12,7, 14,3, 14,5, 17,5 mm

Adaptor uchwytu wiertła samolocującego



- (1) Wiertło (SDS-plus uchwyt)
- (2) Adaptor uchwytu wiertła samolocującego (uchwyt SDS max)

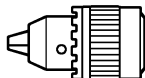
3. Wiercenie otworów o dużej średnicy (Obroty + Uderzenia)



- (Płyta wiodąca) (1) Sworzeń centrujący (2) Koronka rdzeniowa (3) Trzon koronki rdzeniowej (uchwyt SDS max)

- (1) Sworzeń centrujący
- Stosowany do koronki rdzeniowej o średnicy od 38 mm do 125 mm
 - Stosowany do koronki rdzeniowej o średnicy od 32 do 35 mm
- Uwaga:**
Nie używać koronki rdzeniowej o średnicy 25 mm i 29 mm.
- (2) Koronka rdzeniowa
- Średnica zewnętrzna 25, 29, 32, 35, 38, 45, 54, 64, 79, 94, 105, 120, 125 mm
- (z płytą wiodącą, nie stosować do rdzeni 25 mm lub 29 mm)
- (3) Uchwyt koronki rdzeniowej
- Stosowany do koronki rdzeniowej o średnicy powyżej 38 mm
 - Stosowany do koronki rdzeniowej o średnicy poniżej 35 mm

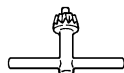
4. Wiercenie otworów w metalu i drewnie



Uchwyt wiertarski 13 mm (13VLA)



Adaptor uchwytu (uchwyt SDS max)



Klucz do uchwytu wiertarskiego

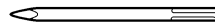
5. Umieszczenie śruby z chemicznym uchwytem (Obroty + Uderzenia)



(Standartowy klucz nasadkowy)

(Uchwyt SDS max) 12,7 mm adaptor uchwytu chemicznego 19 mm adaptor uchwytu chemicznego

6. Rozbijanie (Uderzenie)



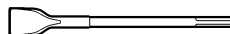
(1) Punktak Długość: 280, 400 mm

7. Dłutowanie rowków i brzegów (Uderzenie)



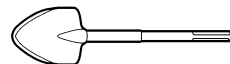
(1) Dłuto Długość: 280, 400 mm

8. Cięcie asfaltu (Uderzenie)



(1) Przecinak

9. Wybieranie, pogłębianie (Uderzenie)



(1) Wybierak

10. Obtłukiwanie powierzchniowe (Uderzenie)



(1) Tłuczek



(2) Uchwyt

11. Ubijanie (Uderzenie)

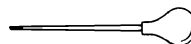


(1) Ubijak 150 × 150 mm



(2) Uchwyt

12. Gruszka powietrzna (do usuwania odłamków)



- Smar młotkowy A 500 g (w puszcze) 70 g (w zielonej tubie) 30 g (w zielonej tubie)

Dodatkowe akcesoria mogą ulec zmianie bez uprzedzenia.

ZASTOSOWANIE

- Wiercenie otworów w betonie
- Wiercenie otworów do uchwytów

- Rozbijanie betonu, kruszenie, kopanie i wyrównywanie (przy użyciu dodatkowych akcesoriów)

PRZED UŻYCIEM

1. Źródło mocy

Upewnij się, że źródło mocy jest zgodne z wymogami mocy zaznaczonymi przy nazwie produktu.

2. Przelącznik

Upewnij się, że przelącznik jest wyłączony (pozycja OFF). Jeśli wtyczka jest włączona do prądu podczas gdy przelącznik jest włączony (pozycja ON), narzędzie zacznie działać natychmiast, co może spowodować poważny wypadek.

3. Przedłużacz

Kiedy miejsce pracy znajduje się daleko od źródła prądu, użyj przedłużacza o wystarczającym przekroju. Przedłużacz powinien być tak krótki jak tylko jest to możliwe.

4. Jak instalować narzędzie

WSKAZÓWKA:

Do narzędzi typu punktak i dłuto, używaj wyłącznie oryginalnych części Hitachi.

- (1) Oczyszczyć a następnie posmaruj końcówkę narzędzia smarem z zielonej tuby (**Rys. 1**).
- (2) By przymocować narzędzie (uchwyt SDS max), włóż do otworu aż dotknie dna (**Rys. 2**).
Jeśli będziesz dalej przekręcał narzędzie lekko je przyciskając, wyczujesz miejsce, w którym znajduje się zaczep. W tym miejscu pociągnij uchwyt w kierunku strzałki i wciśnij narzędzie do końca, aż uderzy w przeciwny koniec. Puszczanie uchwyty odwróci go i umocuje narzędzie w miejscu.
- (3) Pociągnij narzędzie, by upewnić się, że jest dokładnie zaciśnięte.
- (4) By wyjąć narzędzie, pociągnij za uchwyt w kierunku strzałki i wyciągnij narzędzie.

5. Regulowanie ilości obrotów i uderzeń (**Rys. 3**)

Młotowiertarka wyposażona jest we wbudowany elektroniczny regulator napięcia, regulujący i poprawiający ilość obrotów i uderzeń.

Młotowiertarka może być użyta przy pomocy ustawienia regulatora w zależności od celu użycia, jak np. Wiercenie dziur w delikatnych materiałach, kruszenie, itp.

Skala „1” na regulatorze jest zaprogramowana do pracy przy minimalnej prędkości 120 obrotów na minutę i 1250 uderzeń na minutę.

Skala „6” jest zaprogramowana do działania przy 240 obrotach na minutę i 2500 uderzeń na minutę.

UWAGA:

Nie przekręcaj regulatora podczas pracy. Mogłoby to spowodować obrażenia, gdyż młotowiertarka musiałaby wtedy być trzymana w jednym ręku, co ograniczyłoby stabilność kontroli młotowiertarki.

JAK UŻYWAĆ MŁOTOWIERTARKI

Jak wiercić otwory (**Rys. 4**)

- (1) Pociągnij za przelącznik po przyłożeniu końcówki wiertła do miejsca wiercenia.
- (2) Nie jest konieczne, by przyciskać na siłę młotowiertarkę. Wystarczy ją lekko przycisnąć tak, aby wióry mogły swobodnie spadać.

UWAGA:

Pomimo, że maszyna jest wyposażona w zabezpieczenie, jeśli wiertło utknie w betonie lub innym materiale, wynikające z tego zablokowanie się końcówki wiertła może spowodować obrócenie się młotowiertarki. Upewnij się, że mocno trzymasz główny jak i boczny uchwyt podczas pracy.

2. Jak dłutować lub rozbijać (**Rys. 5**)


Poprzez ustawienie wiertła w pozycji do dłutowania lub rozbijania operuj młotowiertarką tak, by wykorzystała jej ciężar własny.

Mocne przyciskanie i wbijanie nie jest konieczne.

3. Podczas wiercenia w pozycji „Obrotu + uderzenia”:

UWAGA:

Jeśli przelączysz dźwignię nastawczą podczas obrotów silnika, narzędzie może zacząć się gwałtownie obracać powodując nieoczekiwane wypadki. Dźwignia nastawcza może być przelączana tylko wtedy, gdy silnik nie pracuje.

- (1) Przelączanie na „Obrotu + uderzenia”.
 - (a) Wciśnij przycisk, zwolnij zamek i obróć dźwignię nastawczą zgodnie z ruchem wskazówek zegara.
 - (b) Ustaw ▲ na dźwigni nastawczej  na uchwycie dźwigni tak jak widać na **Rys. 6**.
 - (c) Uwolnij przycisk, by żeby unieruchomić dźwignię nastawczą.


WSKAZÓWKA:

Przekręć dźwignię nastawczą (nie przyciskaj przycisku) w celu sprawdzenia, czy jest ona całkowicie zablokowana i upewnij się, że się nie obraca.

4. Podczas kruszenia i dłutowania w pozycji „uderzenia”:


UWAGA:

- Jeśli dźwignia nastawcza jest przelączana podczas pracy silnika, narzędzie może zacząć się nagle obracać powodując niespodziewane wypadki. Dźwignia nastawcza może być przelączana tylko wtedy, gdy silnik nie pracuje.
- Jeśli punktak lub duto jest używane w pozycji „Obrotu + uderzenia”, narzędzie może zacząć się obracać powodując niespodziewane wypadki. Upewnij się, że są one używane w pozycji „uderzenia”.

- (1) Przelączanie na „Uderzenia”
 - (a) Przyciśnij przycisk, uwolnij zamek i przekręć dźwignię nastawczą w kierunku przeciwnym do ruchu wskazówek zegara.
 - (b) Ustaw ▲ na dźwigni nastawczej  na uchwycie dźwigni tak jak widać na **Rys. 7**.
 - (c) Puść przycisk w celu zablokowania dźwigni nastawczej.

WSKAZÓWKA:

Przekręć dźwignię nastawczą (nie przyciskaj przycisku) w celu sprawdzenia, czy jest ona całkowicie zablokowana i upewnij się, że się nie obraca.

- (2) Podczas ustawiania pozycji narzędzi takich jak dłuto itp.
 - (a) Wciśnij przycisk, uwolnij zamek i przekręć dźwignię nastawczą.
Ustaw ▲ na dźwigni nastawczej  na uchwycie dźwigni tak jak widać na **Rys. 8**.
 - (b) Puść przycisk w celu zablokowania dźwigni nastawczej.
 - (c) Przekręć uchwyt zgodnie ze wskazówką w **Rys. 9** i ustaw narzędzie w kierunku w którym chcesz pracować.
 - (d) Przelącz dźwignię nastawczą na „uderzenia” zgodnie ze wskazówką (1) i zabezpiecz pozycję narzędzia.

5. Załóż zatyczkę (Rys. 10)

- (1) Poluzuj boczny uchwyt i włóż prostą część zatyczki w otwór uchwyty.
- (2) Przesuń zatyczkę do określonej pozycji i przekreśl rączkę bocznego uchwyty zgodnie z kierunkiem wskazówek zegara by umocować zatyczkę.

6. Rozgrzewanie (Rys. 11)

System smarowania w tym narzędziu może wymagać rozgrzewania w zimnym klimacie.

Umieść końcówkę wiertła tak, by dotykało betonu, włącz przycisk i wykonaj operację rozgrzewania. Upewnij się że słychać odgłos uderzania i wtedy użyj narzędzia.

UWAGA:

Podczas wykonywania rozgrzewania trzymaj boczny uchwyt i całe narzędzie mocno obiema rękami i uważaj, by nie przekreślić się wraz z unieruchomionym wiertłem.

WIERCENIE I WBIJANIE UCHWYTU**1. Używanie uchwytu stożkowego (Rys. 12)**

- (1) Zainstaluj wiertło z uchwytem stożkowym w adapterze uchwytu stożkowego.
- (2) Włącz narzędzie i wywierć otwór początkowy na głębokość oznaczoną przez nacięcie na wiertle.
- (3) Po oczyszczeniu pyłu gruszką zamocuj zatyczkę w końcówce uchwytu i wbij uchwyt za pomocą młotka ręcznego.
- (4) By usunąć wiertło (uchwyt stożkowy) wprowadź klin w nacięcie w adapterze uchwytu stożkowego i uderz główkę sworzni opartego na podpórce młotkiem (Rys. 13)

UŻYWANIE UCHWYTU WIERTARSKIEGO , ADAPTORA UCHWYTU

Zauważ, że urządzenie to może jedynie być używane w pozycji „obroty” jeśli oddzielnie sprzedawane części jak uchwyt wiertarski i adaptor uchwytu są do niego dołączone. Używaj ich z dźwignią nastawczą ustawioną w pozycji „obroty + uderzenia”.

UWAGA:

Podczas używania upewnij się, że trzymasz obydwie uchwyty mocno, by uniknąć przechylenia się.

- (1) Przelączanie na „obroty + uderzenia”
By przelączyć na „obroty + uderzenia” postępuj według tych samych wskazówek zawartych w (3) wiercenie w pozycji „obroty + uderzenia”
- (2) Mocowanie adaptera uchwytu do uchwytu wiertarskiego (Rys. 14)
 - (a) Zamocuj adaptor uchwytu do uchwytu wiertarskiego
 - (b) Uchwyt SDS max adaptera uchwytu jest odpowiednikiem wiertła. A więc, postępuj według tych samych wskazówek co w (Jak zainstalować narzędzie) przy zakładaniu i zdejmowaniu.
- (3) Wiercenie
 - (a) Nawet jeśli zastosujesz więcej niż potrzeba nacisku na maszynę, wiercenie nigdy nie może być wykonane tak szybko jakbyś tego oczekiwał. Wywieranie nacisku na maszynę większego niż jest to potrzebne spowoduje zniszczenie wiertła bądź zmniejszy wydajność pracy oraz skróci czas użytkowania urządzenia.
 - (b) Wiertło czasami łamie się, gdy wiercenie dobiega końca. Ważne jest, by zmniejszyć nieco nacisk gdy wiercenie dobiega końca.

JAK UŻYWAĆ KORONKI RDZENIOWEJ

Podczas używania koronki rdzeniowej można wierceć otwory o dużej średnicy i ślepe otwory. W takim przypadku używaj dodatkowych akcesoriów do koronki rdzeniowej (jak np. sworzeń centrujący i trzon koronki rdzeniowej) aby działanie było bardziej wydajne.

1. Mocowanie**UWAGA:**

Przed założeniem koronki rdzeniowej zawsze wyłącz wtyczkę z kontaktu.

- (1) Nałóż koronkę rdzeniową na trzon koronki rdzeniowej. (Rys. 15)
Najpierw nasmaruj olejem nagwintowaną część trzona koronki rdzeniowej dla łatwego rozmontowania.
- (2) Zamocuj trzon koronki rdzeniowej na maszynę w taki sam sposób jak przy zakładaniu wiertła i punktaka. (Rys. 16)
- (3) Wprowadź sworzeń centrujący w płytę wiodącą do końca.
- (4) Wprowadź płytę wiodącą poprzez dopasowanie jej wklęsłej części do końcówki koronki rdzeniowej. Kiedy pozycja wklęsłej części jest przesunięta poprzez obracanie płyty wiodącej w lewo lub w prawo, płyta wiodąca nigdy nie spada, nawet gdy wiertarka jest skierowana w dół w pozycji pionowej. (Rys. 17)

2. Wiercenie otworów

- (1) Włóż wtyczkę do kontaktu.
- (2) W sworzeń centrujący jest wbudowana sprężyna. Poprzez równomierne i delikatne przyciskanie go do ściany lub podłogi cała powierzchnia końcówki koronki rdzeniowej styka się z powierzchnią w celu wywiercenia otworu (Rys. 18).
- (3) Kiedy głębokość otworu osiągnie około 5 mm, pozycja otworu może zostać określona. Wtedy usuń sworzeń centrujący i płytę wiodącą z koronki rdzeniowej i kontynuuj wiercenie otworów.

UWAGA:

Podczas wyjmowania sworzni centrującego i płyty wiodącej zawsze wyłącz wtyczkę z kontaktu.

3. Jak zdjąć koronkę rdzeniową.

- Trzymając młotowiertarkę (z koronką rdzeniową zamontowaną) w pozycji skierowanej do góry, uruchom młotowiertarkę, by powtórnie uderzyła dwa lub trzy razy pod wpływem czego śrubka się obluzuje i młotowiertarka będzie gotowa do rozłożenia (Rys. 19).
- Usuń trzon koronki rdzeniowej z młotowiertarki, chwyc koronkę rdzeniową jedną dłonią i silnie uderz końcówką część uchwytu SDS max i trzonu koronki rdzeniowej młotkiem dwa lub trzy razy, podczas gdy okrągła śruba głowicy jest poluzowana i młotowiertarka jest przygotowana do rozłożenia. (Rys. 20)

JAK ZMIENIĆ SMAR

Konstrukcja maszyny jest całkowicie szczelna w celu zabezpieczenia przed kurzem i wyciekami smaru, a więc maszyna może być używana przez długi okres czasu bez smarowania. Zmień smar według poniżej zamieszczonej instrukcji.

1. Okres wymiany smaru

Po zakupie zmieniaj smar co każde 6 miesięcy użytkowania. Poproś o wymianę smaru w najbliższym Centrum Autoryzowanych Usług Hitachi. Dokonaj wymiany smaru.

2. Uzupelnienie smaru

UWAGA:

Przed uzupelnieniem smaru wyłącz urządzenie i wyjmij wtyczkę z kontaktu.

- (1) Zdejmij pokrywę przekładni i wytrzyj smar wewnątrz. (Rys. 21)
- (2) Wprowadź 30 g smaru A do Elektrycznego Młota Hitachi (standardowe wyposażenie w tubce) do przekładni.
- (3) Po uzupelnieniu smaru załóż z powrotem pokrywę przekładni.

WSKAZÓWKA:

Smar A do Młotów Elektrycznych Hitachi jest smarem o niskiej lepkości.

W razie potrzeby zakup go w Autoryzowanym Centrum Obsługi Hitachi.

MODYFIKACJE

Narzędzia elektryczne Hitachi są ciągle ulepszone i modyfikowane w celu wprowadzania najnowszych osiągnięć nauki i techniki.

W związku z tym pewne części (a także numery kodów i konstrukcja) mogą ulec zmianom bez uprzedzenia.

WSKAZÓWKA:

W związku z prowadzonym przez Hitachi programem badań i rozwoju, specyfikacje te mogą się zmienić w każdej chwili bez uprzedzenia.

KONSERWACJA I INSPEKCJA

1. Inspekcja narzędzia

Ponieważ używanie tępego narzędzia obniża wydajność i może spowodować złe funkcjonowanie silnika, naostrz lub wymień narzędzie gdy tylko zauważysz stępienie

2. Sprawdzanie śrub mocujących

Regularnie sprawdzaj wszystkie mocujące śruby i upewnij się, że są mocno przykręcone. Jeśli któraś z nich się obluzuje, natychmiast ją przykręć. Zaniedbanie tego może spowodować poważne zagrożenie.

3. Konserwacja silnika

Wirnik silnika jest sercem narzędzia.

Zadbaj, by wirnik nie został uszkodzony i nie zawilgotniał lub pokrył się olejem.

4. Sprawdzanie szczotek węglowych (Rys. 22)

W silniku zastosowane są szczotki węglowe, które ulegają zużyciu. Gdy zużyją się lub gdy są bliskie limitu zużycia może to spowodować kłopoty z silnikiem. Gdy urządzenie jest wyposażone w szczotki węglowe z automatycznym wyłącznikiem, silnik wyłącza się sam. Wymień wtedy szczotki na nowe o tych samych numerach widocznych na ilustracji.

Dodatkowo, zawsze utrzymuj je w czystości i sprawdzaj, czy poruszają się luźno wewnątrz uchwytych.

5. Wymiana szczotek węglowych

Poluzuj dwa komplety śrub i zdejmij pokrywę. Usuń przykrycia szczotek węglowych. Po wymianie szczotek węglowych dokręć mocno przykrycia i załóż pokrywę mocno dokręcając dwa zestawy śrubek.

6. Lista części zamiennych

A: Nr części

B: Nr kodu

C: Ilość użytych części

D: Uwagi

UWAGA

Naprawa, modyfikacje i przeglądy narzędzi elektrycznych Hitachi musi być wykonywane przez Autoryzowane Centrum Obsługi Hitachi.

Ta lista części będzie przydatna jeśli zostanie wręczona wraz z narzędziem, gdy zgłosimy się do naprawy lub przeglądu w Autoryzowanym Centrum Obsługi Hitachi. Podczas użytkowania i konserwacji narzędzi elektrycznych muszą być przestrzegane przepisy i standardy bezpieczeństwa.

Informacja dotycząca poziomu hałasu i wibracji

Mierzone wartości było określone według EN60745 i zadeklarowane zgodnie z ISO 4871.

Zmierzony poziom dźwięku A: 105 dB (A)

Zmierzone ciśnienie akustyczne A: 94 dB (A)

Niepewność KpA: 3 dB (A)

Używaj ochraniacza uszu.

Typowa wartość skuteczna przyspieszenia wynosi:
11,4 m/s²

ÁLTALÁNOS BIZTONSÁGTECHNIKAI ELŐÍRÁSOK

FIGYELEM!

Olvassa végig az utasításokat

Az alábbi utasítások be nem tartása áramütést, tüzet és súlyos sérülést okozhat.

Az alábbi figyelmeztetésekből szereplő "elektromos szerszám" kifejezés az ön - hálózatról üzemeltetett (vezetékes) vagy akkumulátoros (vezeték nélküli) - elektromos szerszámjére vonatkozik.

ŐRIZZE MEG AZ UTASÍTÁSOKAT

1) A munkahely

a) **A munkahelyet tartsa tisztán, és megfelelően világítsa meg.**

A túlzófény és a sötét munkahelyek vonzzák a baleseteket.

b) **Az elektromos szerszámgepeket ne használja robbanásveszélyes légterben, például gyúlékony folyadékok, gázok vagy por mellett.**

Az elektromos szerszámgepek szikrákat bocsáthatnak ki, melyek berobbanthatják a jelenlévő port.

c) **A szerszám gép működtetése közben tartsa távol a gyermekeket és a körülállókat.**

A figyelemfelvonás a szerszám gép feletti kontroll elvesztését okozhatja.

2) Érintésvédelem

a) **Az elektromos szerszám gép dugaszának illeszkednie kell a hálózati csatlakozóaljzatba. Semmilyen körülmények között ne módosítsa a dugaszt.**

Ne használjon semmilyen átalakító dugaszt a földelt elektromos szerszám géppel.

A módosítás nélküli dugaszok és a megfelelő aljzatok csökkentik az elektromos áramütés veszélyét.

b) **Ügyeljen arra, hogy munka közben ne érintsen meg földelt felületeket, pl. csövezetéseket, fűtőtesteket, tűzhelyeket vagy hűtőberendezéseket.**

Ha a kezelő teste földelve van, az áramütés veszélye megnő.

c) **Az elektromos szerszámgepeket ne tegye ki eső vagy nedvesség hatásának.**

Az elektromos szerszám gépbe kerülő víz növeli az áramütés veszélyét.

d) **Ne rongálja meg az elektromos csatlakozókábelt. A szerszám gépet ne hordozza a kábelnél fogva, és a villásdugót soha ne a kábelnél fogva húzza ki a dugaszolóaljzatból.**

Védje a kábelt a magas hőmérsékletől, olajtól és az éles sarkoktól.

A sérült vagy összegabalyodott vezetékek növelik az elektromos áramütés veszélyét.

e) **Ha a szabadban kell munkát végeznie, mindig csak az erre a célra alkalmas hosszabbító kábelt használjon.**

A kültéri használatra alkalmas hosszabbító használat csökkenti az elektromos áramütés veszélyét.

3) A testi épség védelme

a) **Mindig figyeljen oda a végzett munkára. Az elektromos szerszám géppel végzett munka teljes figyelmet igényel.**

Ne használja a készüléket, ha nem érzi kipihentnek magát, ha kábítószert, alkoholt vagy gyógyszer hatása alatt áll.

Egy pillanatnyi figyelmetlenség is súlyos sérülést okozhat.

b) **Használjon védőfelszerelést. Mindig használjon védőszemüveget.**

A védőfelszerelések, pl. a pormaszk, a csúszásbiztos biztonsági cipő, a védősisak és a fűldugó használata csökkenti a sérülésveszélyt.

c) **Kerülje a gép véletlenszerű beindítását. Mielőtt a csatlakozó dugót a dugaszolóaljzatba bedugja, mindig győződjék meg róla, hogy a készülék ki van kapcsolva.**

Ne tartsa ujját az indító kapcsolón, ha hordozza a készüléket, és ne csatlakoztasson bekapcsolt készüléket az áramforrásra.

d) **Mielőtt a gépet bekapcsolja, mindig ellenőrizze, hogy kivette-e a készülékből a szerszámbeállító- illetve befogókulcsot.**

A forgó alkatrészen maradt szerszámbeállító- vagy befogókulcs személyi sérülést okozhat.

e) **Ne nyújtsa ki a kezét túl nagy távolságra. Munka közben mindig álljon stabilan, és őrizze meg az egyensúlyát.**

Igy a váratlan helyzetekben sem veszti el a szerszám feletti uralmát.

f) **Viseljen megfelelő munkaruhát. Munka közben ne viseljen bő öltözéket vagy ékszert. Haját, ruházatát és kesztyűjét tartsa távol a mozgó alkatrészekről.**

A bő öltözéket, ékszereket vagy a hosszú haját a mozgó alkatrészek elkapathatják.

g) **Ha a készülék rendelkezik porszívási, illetve -gyűjtési lehetőséggel, ügyeljen rá, hogy azok megfelelően legyenek csatlakoztatva és használva. A fenti eszközök használata csökkenti a por okozta veszélyt.**

4) **Az elektromos szerszám gép használata és karbantartása**

a) **Ne erőltesse a szerszámot. Mindig az alkalmazásnak megfelelő szerszámot használjon. A megfelelő szerszám gép nominális teljesítményszinten jobban és biztonságosabban működik.**

b) **Ne használja a szerszámot, ha kapcsoló azt nem kapcsolja megfelelően be, illetve ki.**

A kapcsolóval nem szabályozható szerszám gép veszélyes, és azt meg kell javítani.

c) **Mindig húzza ki a dugaszoló aljzatról a csatlakozó dugót, mielőtt a készüléket beállításokat végezne, kicserélné a tartozékokat, vagy mielőtt eltávolítaná a készüléket.**

A fenti biztonsági óvintézkedések csökkentik a készülék véletlenszerű bekapcsolásának veszélyét.

d) **A használaton kívüli szerszámokat tárolja gyermekek által nem hozzáférhető helyen, és ne engedje, hogy a készüléket az üzemeltetéshez nem értő személyek használják.**

A gyakorlatlan használó kezében a szerszám gépek különösen nagy veszélyt jelentenek.

e) **A szerszám gépek karbantartása. Ellenőrizze a mozgó alkatrészek illesztését, rögzítését, az alkatrészek esetleges repedését és minden olyan tulajdonságot, mely hatással lehet a munkavégzésre.**

Meghibásodás esetén használat előtt javítsa meg a készüléket.

A nem megfelelő karbantartás sok balesetet okoz.

f) **A vágószerszámokat mindig tartsa élesen és tisztán.**

A megfelelően karbantartott - éles vágóélű- vágószerszámok kisebb eséllyel görbülnek el, és könnyebben irányíthatók.

- g) Használja a szerszámgépet és a fúrófejeket stb. az utasításoknak és az adott szerszámgép rendeltetésének megfelelően, mindig figyelembe véve a munkakörülményeket és az elvégzendő munka jellegét.

A szerszámgép rendeltetéstől eltérő használata veszélyt okozhat.

5) Javítás

- a) A szerszámot csak - eredeti cserealkatrészeket használó - szakképzett személlyel javíttassa. Így biztosítható a szerszámgép biztonságos üzemeltetése.

ÓVINTÉZKEDÉS

A gyermekeket és a felügyeletre szoruló személyeket tartsa távol az elektromos szerszámgéptől.

A használaton kívüli szerszámgépeket gyermekektől és felügyeletre szoruló személyektől elzárva kell tartani.

A FÚRÓKALAPÁCS HASZNÁLATÁRA VONATKOZÓ ÓVINTÉZKEDÉSEK

1. Viseljen fülvédőt
A zajnak való kitettség halláskárosodást okozhat.
2. Üzemelés közben vagy közvetlenül az üzemelést követően ne érintse meg a fúróhegyet. A fúróhegy üzemelés közben jelentős mértékben felmelegszik, és súlyos égési sérüléseket okozhat.
3. Mielőtt a fal, padlózat, vagy a mennyezet vésésébe illetve fúrásába kezdene, győződjön meg róla, hogy nincsenek-e jelen beépített elektromos kábelek vagy vezetékek.
4. Használja a szerszámhoz mellékelt segédmarkolatokat. Az ellenőrzés elvesztése személyi sérülést okozhat.
5. Mindig szilárdan tartsa kézben a kéziszerszám markolatát és oldalsó fogantyúját. Ellenkező esetben az ellenerő helytelen, és esetleg veszélyes működést eredményez.
6. Viseljen porálarcot
Ne lélegezze be a fúrás vagy vésési művelet során képződő káros porokat. A por veszélyeztetheti a saját és a mellette állók egészségét.

MŰSZAKI ADATOK

Feszültség (terület szerint)*	(110V, 115V, 120V, 127V, 220V, 230V, 240V) ~
Névleges teljesítményfelvétel	1200 W*
Kapacitás	Fúróhegy: 45 mm Magfúró korona fej: 125 mm
Üresjárat fordulat/szám	120 - 240 fordulat/perc
Teljes terheléses ütés-sebesség	1250 - 2500 ütés/perc
Súly (tápkábel és oldalfogantyú nélkül)	8,0 kg

*Ne felejtse el ellenőrizni a típus táblán feltüntetett adatokat, mivel ezek eladási területenként változnak!

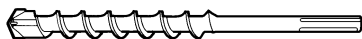
STANDARD TARTOZÉKOK

- (1) Hordtáska 1
 - (2) Oldalfogantyú 1
 - (3) Ütköző 1
 - (4) "A" kalapácsszír 1
- A standard tartozékok előzetes tájékoztatás nélkül változhatnak.

TETSZÉS SZERINT VÁLASZTHATÓ

TARTOZÉKOK (külön megrendelésre)

1. Átmenő furat fúrása (forgás + ütés)



- (1) Fúróhegy (SDS max szár)

Külső átmérő (mm)	Teljes hossz (mm)
16	340, 540
19	

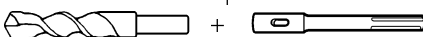
Külső átmérő (mm)	Teljes hossz (mm)
22	320, 520
25	
28	
32	370, 570
38	
40	

2. Rögzítő horgonybetét furatok készítése (forgás + ütés)

Fúrószár (Kónuszos szárú)



(3) Ék



- (1) Fúróhegy (kónuszos szárú) (2) Kónuszos szár adapter (SDS max szár)

Külső átm.: 11, 12,3, 12,7, 14,3, 14,5, 17,5 mm

Kónuszos szár adapter	Használható fúróhegy
Morse kónusz (No.1)	Fúróhegy (kónuszos szárú) 11, 12,3, 12,7, 14,3, 14,5, 17,5 mm

SDS plus szárú fúróhegy adapter



- (1) Fúróhegy (SDS plus szárú) (2) SDS plus szár adapter (SDS max szár)

3. Nagyatmértőjű furat készítése (forgás + ütés)



- (Vezetőlap) (1) Központosító tüske (2) Fúrókorona (3) Fúrókorona szár (SDS max szár)

(1) Központosító tüske

- Használandó a 38 - 125 mm-es fúrókoronáknál
- Használandó a 32 és 35 mm-es fúrókoronáknál

MEGJEGYZÉS:

Ne használjunk 25 és 29 mm-es fúrókoronát

(2) Fúrókorona

- Fúrókorona külső átmérő:

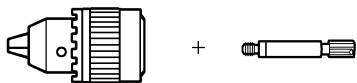
25, 29, 32, 35, 38, 45, 54, 64, 79, 94, 105, 120, 125 mm

(vezetőlappal; nem vonatkozik a 25 vagy 29 mm-es koronákra)

(3) Fúrókorona szár

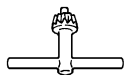
- 38 mm feletti fúrókoronákhoz használható
- 35 mm alatti fúrókoronákhoz használható

4. Furatok készítése Fém és faanyagok fúrására



13 mm-es tokmány (13 VLA)

Tokmány adapter (SDS max fúrószár)



Tokmánykulcs

5. Csavar behelyezési művelet rögzítő horgonybetétekhez (forgás + ütés)



(Standard csőkulcs)

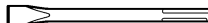
(SDS max szár) 12,7 mm-es rögzítő horgonybetét adapter
19 mm-es rögzítő horgonybetét adapter

6. Törés (ütés)



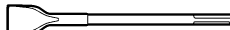
- (1) Kőzetfúró rúd
Teljes hossza: 280, 400 mm

7. Hornyolás és szélezés (ütés)



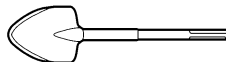
- (1) Bontóvéső
Teljes hossza: 280, 400 mm

8. Aszfaltvágás (ütés)



- (1) Vágófej

9. Kotrási műveletek (ütés)



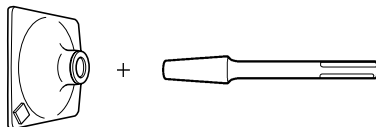
- (1) Kotrófej

10. Felültreptátolás (ütés)



- (1) Rovátkoló szerszám (2) Szár

11. Döngölés (ütés)



- (1) Döngölőfej 150 x 150 mm (2) Szár

12. Fecskendő (törmelék eltávolítására)



- "A" Kalapácsszír:

500g (dobozban)

70g (zöld színű tubusban)

30g (zöld színű tubusban)

A tetszés szerint választható tartozékok előzetes bejelentés nélkül bármikor váltoozhatnak.

ALKALMAZÁSOK

- Furatkészítés betonba
- Rögzítő horgonybetétek furatainak készítése
- Beton feltörése, vésés, kotrás és szélezés (külön megrendelhető tartozékok alkalmazásával)

AZ ÜZEMBEHELYEZÉS ELŐTTI TENNIVALÓK

1. Áramforrás

Ügyeljen rá, hogy a készülék adattábláján feltüntetett feszültség értéke megegyezzen az alkalmazni kívánt hálózati feszültséggel.

2. Hálózati kapcsoló

Ügyeljen rá, hogy a hálózati kapcsoló KI állásba legyen kapcsolva. Ha a csatlakozódugót úgy csatlakoztatja a dugaszolóaljzatba, hogy közben a hálózati kapcsoló BE állásban van, a kéziszerszám azonnal működésbe lép, ami súlyos balesetet idézhet elő.

3. Hosszabbító vezeték

Ha a munkaterület az áramforrástól távol található, akkor egy megfelelő keresztmetszetű és teljesítményű hosszabbító vezetékkel kell alkalmazni.

4. A szerszámok beszerelése

MEGJEGYZÉS:

Bontóveszőként és fúrórudként kizárólag csak valódi HITACHI alkatrészeket használjunk.

- (1) Tisztítsa meg a szerszám szárát, és kenje be a zöld színű tubusban szállított zsírral. (1. ábra)
- (2) A szerszám felszereléséhez (SDS max szár), illessze be azt a lyukba, és nyomja be mindaddig, míg az a lyuk alját nem érinti, a 2. ábrán látható módon. Ha enyhe nyomás mellett tovább forgatja a szerszámot, akkor érezheti, amint az egy ponton megakad. Ennél a pontnál húzza hátra a karmantyút a nyíl irányába, és dugja be teljesen a szerszámot, amíg az a lyuk belső végénél meg nem akad. A karmantyút elengedve, az a helyére ugrik és rögzíti a szerszámot.
- (3) Húzza meg a szerszámot, hogy ellenőrizze, megfelelően a helyére van-e rögzítve.
- (4) A szerszám eltávolításhoz teljesen húzza hátra a karmantyút a nyíl irányába, és húzza ki a szerszámot.

5. A fordulatszám és az ütés-sebesség szabályozása (3. ábra)

Ez a fúrókalapács egy beépített elektronikus szabályzóval van ellátva, amely a fordulatszám és az ütések számának beállítására illetve szabályozására alkalmas. A fúrókalapács beállító szabályzójának megfelelő beállításával a kéziszerszám különböző munkák, pl. törékeny anyagok fúrása, vésés, középpontozás, stb. elvégzésére alkalmazható.

A szabályzó skálájának "1"-es jele a legkisebb sebességet jelzi, ami percenként 120 fordulathoz, illetve percenként 1250 ütésnek felel meg. A "6"-os jel a legnagyobb sebességet jelzi, ami percenként 240 fordulathoz, illetve percenként 2500 ütés.

FIGYELEM:

A gép üzemelése közben tilos a szabályzót állítani! A szabályzó üzemelése közben történő állítása balesetet okozhat, mert a fúrókalapácsot egy kézben tartva bizonytalaná válik annak kezelése.

A FÚRÓKALAPÁCS KEZELÉSE

1. Lyukak fúrása (4. ábra)

- (1) A fúrófej fúrási helyzetbe állítása után húzza meg a kapcsolót.
- (2) Nem szükséges a fúrókalapácsot erősen megnyomni. Elegendő olyan kismértékű nyomás kifejtése, ami lehetővé teszi a kifűrt törmelék folyamatos eltávolozását.

FIGYELEM:

Bár a gép biztonsági tengely-kapcsolóval van ellátva, a fúró betonba vagy más anyagba történő beszorulásakor a fúró hirtelen megállása a gép ellenkező irányú elfordulását eredményezheti. Üzem közben ügyeljen rá, hogy mindkét fogantyút szilárdan tartsa.

2. Vésés és törés (5. ábra)

A fúróhegyet a vésés illetve törés helyére illesztve a fúrókalapácsot üzemeltesse a kéziszerszám saját súlyának igénybevételével.

3. Útvefűrés:

FIGYELEM:

Ha az üzemmód váltót a motor működése közben váltja át, a szerszám hirtelen forogni kezdhet, ami balesetet okozhat.

Az üzemmód váltót csak olyankor váltsa át, amikor a motor teljesen leállt.

- (1) Átkapcsolás "ütés + fúrás"-ra
(a) Nyomja be a reteszt, eressze fel a reteszelést, és fordítsa el az üzemmód váltót az óramutató járásával megegyező irányba.
(b) Állítsa az üzemmód váltó ▲ jelzését az üzemmódok T jeléhez, a 6. ábrán látható módon.
(c) Az üzemmód váltó reteszeléséhez engedje el a reteszt.

MEGJEGYZÉS

Próbálja elforgatni az üzemmód váltót (de ne nyomja be a reteszt) annak ellenőrzésére, hogy az teljesen reteszelve van-e, és ellenőrizze, hogy ne lehessen elfordítani.

4. Faragás, vésés:

(csak "ütéssel")

VIGYÁZAT!

- Ha az üzemmód váltót a motor működése közben váltja át, a szerszám hirtelen forogni kezdhet, ami balesetet okozhat.
Az üzemmód váltót csak olyankor váltsa át, amikor a motor teljesen leállt.
- Ha a fúrórudat és a vágóvésőt "fúrás + ütés" üzemmódban használja, akkor a szerszámok váratlanul forogni kezhetnek, ami balesetet okozhat. Ügyeljen rá, hogy ezeket a szerszámokat csak "ütés" üzemmódban használja.

(1) Átváltás "ütés"-re

- (a) Nyomja be a reteszt, eressze fel a reteszelést, és fordítsa el az üzemmód váltót az óramutató járásával megegyező irányba.
(b) Állítsa az üzemmód váltót ▲ jelzését az üzemmódok T jeléhez, a 7. ábrán látható módon.
(c) Az üzemmód váltó reteszeléséhez engedje el a reteszt.

MEGJEGYZÉS

Próbálja elforgatni az üzemmód váltót (de ne nyomja be a reteszt) annak ellenőrzésére, hogy az teljesen reteszelve van-e, és ellenőrizze, hogy ne lehessen elfordítani.

(2) A szerszám helyzetének állításakor (pl. vésésnél, stb.)

- (a) Nyomja be a reteszt, eressze fel a reteszelést, és fordítsa el az üzemmód váltót az óramutató járásával megegyező irányba.
Állítsa az üzemmód váltó ▲ jelzését az üzemmódok T jeléhez, a 8. ábrán látható módon.
(b) Az üzemmód váltó reteszeléséhez engedje el a reteszt.
(c) A 9. ábrán látható módon fordítsa el a fogantyút, és állítsa a szerszámot a kívánt munkahelyzetbe.

(d) A fenti (1) pontban leírtak szerint váltsa az üzemmód váltót "ütési" állásba, és rögzítse a szerszám helyzetét.

5. Az ütköző felszerelése (10. ábra)

- (1) Lazítsa fel az oldalfogantyút, és dugja be a fogantyú csavarfuratába az ütköző egyenes részét.
- (2) Állítsa az ütközőt a megfelelő állásba, és az oldalfogantyú markolatának az óramutató járásával megegyező irányba történő elforgatásával rögzítse az ütközőt.

6. Előmelegítés (11. ábra)

Hideg környezetben szükségesé válhat a készülék kenőzsír rendszerének előmelegítése.
Állítsa a fúróhegy végét úgy, hogy érintse a betont, kapcsolja be a kapcsolót, és végezze el az előmelegítési műveletet. Ellenőrizze, hogy hallható legyen az ütések hangja, majd vegye használatba a készüléket.

VIGYÁZAT!

Az előmelegítési folyamat elvégzése során mindkét kézzel szilárdan tartsa meg az oldalfogantyút és a készülék markolatát, és ügyeljen rá, hogy a beszorult fúrófej következtében nehog sérülést szenvedjen.

FÚRÓ ÉS BEHAJTÓ MŰVELET RÖGZÍTŐ HORGONYBETÉTEKHEZ

1. Kónuszos szárú adapter használata esetén (12. ábra)

- (1) Helyezze a kónuszos szárú fűrőhegyet a kónuszos szár adapterbe.
- (2) Kapcsolja be a gépet és fúrjon a jelzésnek megfelelő mélységig.
- (3) A por feckendővel történt eltávolítása után csatlakoztassa a dugót a horgonybetéhez, és egy kalapáccsal verje be a horgonybetétet.
- (4) A fűrőfej (kónuszos szárú) eltávolításához dugja be az éket a kónuszos szár adapterben levő részbe, és blokkokra alátámasztva kalapáccsal üssön az ék végére. (13. ábra)

FÚRÓTOKMÁNY ÉS TOKMÁNY-ADAPTER HASZNÁLATA

Felhívjuk a figyelmét arra, hogy ez a gép csak külön beszerezhető alkatrészek, pl. tokmány vagy tokmány adapter csatlakoztatása után használható "csak fúrás" üzemmódban. A gép az üzemmód váltó "ütés + fúrás" helyzetében használandó.

FIGYELEM!

A művelet során tartsa a készüléket mindkét kézzel erősen, hogy megelőzze a test elmozdulását.

- (1) Átkapcsolás "ütvefúrás"-ra
Az ütvefúrásra történő átkapcsoláshoz kövessük a fenti "3. Ütvefúrás" című fejezetben leírtakat.
- (2) A tokmányadapter felszerelése a fűrőtokmányra (14. ábra)
 - (a) Csatolja a tokmányadaptert a tokmányhoz.
 - (b) A tokmányadapter SDS max szára a fűrőszárnak felel meg. Éppen ezért végezze el ugyanazt a műveletet, mint ami a "Szerszámok felszerelése" című fejezetben szerepel.
- (3) Fúrás
 - (a) A fúrás túlzott erő kifejtésével sem végezhető el olyan gyorsan, mint ahogy azt mindenki szeretné. A gépre kifejtett szükségesnél nagyobb erő illetve nyomás a fűrőfej károsodását okozza, ami a munka hatékonyságát csökkenti, és lerövidíti a gép hasznos élettartamát.
 - (b) A fűrőhegy néha közvetlenül a fúrás befejezése előtt törik el. Fontos, hogy a fúrás végéhez közeledve engedje fel a gépre kifejtett nyomást.

MAGFÚRÓ KORONAFEJ ALKALMAZÁSA

Fűrőkorona alkalmazásával nagy átmérőjű furatok valamint zsákfuratok készíthetők. Ilyen esetekben a fűrőkoronához külön beszerezhető tartozékokat, pl. központozó tüskét illetve fűrőkorona szárát kell alkalmazni.

1. Felszerelés FIGYELEM!

A fűrőkorona felszerelése előtt mindig húzza ki a hálózati csatlakozót a dugaszolóaljzatból.

- (1) Szerelje fel a fűrőkoronát a korona szára. (15. ábra) Ezt megelőzően olozza meg a korona szár menetes részét, a könnyebb szétcszerelés érdekében.
- (2) Szerelje fel a fűrőkorona szárát a fűrőgépre ugyanúgy mint egy fűrőhegyet vagy a vésőt. (16. ábra)
- (3) Dugja be teljesen a központozó tüskét a vezető lemezbe.

- (4) Helyezze be a vezetőlemezt úgy, hogy homorú részét a fűrőkoronához állítja. A homorú rész balra vagy jobbra történő elforgatása miatti elmozdulásakor a vezetőlemez soha nem tud lecsúszni még akkor sem, ha a fűrőt lefelé tartva használják. (17. ábra)

2. Lyukak fúrása

- (1) Csatlakoztassa a készüléket a hálózati dugaszoló aljzathoz.
- (2) A központozó csapba egy rúgó van beépítve. Ezt egyenesen és enyhe nyomással a falhoz illetve a padlóhoz nyomva a fűrőkorona egész felülete érintkezik a furás elkezdéséhez. (18. ábra)
- (3) Amikor a furat eléri a kb. 5 mm-es mélységet, meghatározható a furat helyzete. Ezután távolítsa el a központozó tüskét, és vezetőlemezt a fűrőkoronáról, és folytassa tovább a fúrási műveletet.

FIGYELEM!

A központozó csap és a vezetőlemez eltávolítása előtt mindig húzza ki a csatlakozódugót a dugaszoló aljzattól.

3. A fűrőkorona eltávolítása

- A fűrőkoronával felszerelt fűrőkalapácsot felfelé tartva kétszer-háromszor működtesse ismételt ütési üzemmódban, miáltal a csavar kilazul, és a fűrőkalapács készen áll a szétcszerelésre. (19. ábra)
- Távolítsa el a fűrőkalapácsról a fűrőkorona tengelyt, tartsa meg egy kézzel a fűrőkoronát, és kalapáccsal üssön rá erősen kétszer-háromszor a fűrőkorona SDS max szár részére, miáltal kilazul a félgömbfejű csavar, és a fűrőkalapács készen áll a szétcszerelésre. (20. ábra)

A KENŐZSÍR LECSERÉLÉSE

A gép légmentesen zárt kivitelű, hogy védve legyen a por bejutása, illetve a kenőzsír szabadba jutása ellen. Ezáltal a készülék hosszú időn keresztül használható kenés nélkül. A kenőzsír cseréjét a következők szerint kell elvégezni:

1. A zsírcsere gyakorisága

A vásárlást követően minden hat hónap használat után cseréljük ki a zsírt. A zsír kicserélése a legközelebbi hivatalos Hitachi szervizközpontban végezhető el.

2. A zsír pótlása

FIGYELEM!

Zsírcsere előtt kapcsolja ki a gépet, és húzza ki a hálózati csatlakozódugót a dugaszoló aljzattól.

- (1) Vegye le a hajtómű burkolatát, és törölje ki belőle a zsírt (21. ábra)
- (2) Adjon a hajtóműházba 30 gramm Hitachi "A" elektromos kalapácszsírt (normál tartozék, tubusban szállítva).
- (3) A zsír pótlása után szilárdan szerelje fel a forgattyúház fedelét.

MEGJEGYZÉS:

Az "A" típusú Hitachi elektromos kalapácszsír alacsony viszkozitású. Szükség esetén egy Hitachi szakszerviztől szerezhető be.

ELLENŐRZÉS ÉS KARBANTARTÁS

1. A szerszám ellenőrzése

Mivel a kitempult szerszám használata csökkenti a hatékonyságot és a motor meghibásodását okozhatja, ezért a szerszámot azonnal élezze meg, ha kopást észlel rajta.

2. A rögzítő csavarok ellenőrzése

Rendszeresen ellenőrizzen minden rögzítő csavart, és ügyeljen rá, hogy azok megfelelően meg legyenek szorítva. Minden meglazult csavart azonnal szorítson meg. Ennek elhanyagolása súlyos veszélyeket hordoz magában.

3. A motor karbantartása

A motor tekerceselése az elektromos szerszám "szíve". Gondosan ügyeljen rá, hogy a tekerceselés ne sérüljön, illetve ne kerüljön kapcsolatba olajjal vagy vízzel.

4. A szénkefék ellenőrzése (22. ábra)

A motorba szénkefék vannak beépítve, melyek elhasználódnak. A kopási határ közeléig elhasználódott szénkefék motorhibákat okozhatnak. Ha a motor automatikus leállítású szénkefékkel van szerelve, akkor automatikusan leáll. Ilyenkor mindkét szénkefét újra kell cserélni, amelyek számjelzése megegyezik az ábrán látható számokkal. Ezen kívül a szénkeféket tartsa mindig tisztán és ügyeljen rá, hogy azok szabadon csúszhassanak a szénkefétartóban.

5. A szénkefék cseréje

Lazítsa fel a két rögzítő csavart, és vegye le a végelező burkolatot. Vegye ki a kefetartókat és a szénkeféket. A szénkefék kicserélése után húzza meg szorosan a kefetartókat, és helyezze vissza végelező burkolatot, majd húzza meg szorosan a két rögzítőcsavart.

6. Szervizelési alkatrészlista

- A: Alkatrész-szám
- B: Kódszám
- C: Használt darabszám
- D: Megjegyzések

FIGYELEM!

A Hitachi kéziszerszámok javítását, módosítását, illetve ellenőrzését kizárólag Hitachi szakszervizben szabad elvégeztetni.

Ez az alkatrészlista a szerszám javításra vagy egyéb karbantartásra egy Hitachi szakszervizbe történő bevitelkor jelent segítséget.

A kéziszerszámok üzemeltetése és karbantartása során be kell tartani az adott országban érvényes biztonsági előírásokat és szabványokat.

MÓDOSÍTÁSOK

A Hitachi kéziszerszámok állandó tökéletesítéseken mennek át, hogy alkalmazni tudják a legújabb műszaki fejlesztések eredményeit.

Éppen ezért egyes alkatrészek (azok kódszámai illetve kiviteli módjai) előzetes bejelentés nélkül megváltozhatnak.

A környezeti zajra és vibrációra vonatkozó információk

A mért értékek az EN60745 szabványnak megfelelően kerültek meghatározásra és az ISO 4871 alapján kerülnek közzétételre.

Mért A hangteljesítmény-szint: 105 dB (A)

Mért A hangnyomás-szint: 94 dB (A)

Bizonytalanság KpA: 3 dB (A)

Viseljen hallásvédelmi eszközt.

A jellemző súlyozott gyorsulás négyzetes középértéke: 11,4 m/s²

MEGJEGYZÉS:

A HITACHI folyamatos kutatási és fejlesztési programja következtében az itt szereplő műszaki adatok előzetes bejelentés nélkül változhatnak.

VŠEOBECNÉ BEZPEČNOSTNÍ PŘEDPISY

UPOZORNĚNÍ!

Prostudujte si všechny pokyny

Nedodržování všech níže uvedených pokynů může způsobit úraz elektrickým proudem, vznik požáru a/nebo vážné zranění. Pojem "elektrické nářadí" ve všech níže uvedených upozorněních se vztahuje na elektricky poháněné nářadí připojené (pomocí přívodní šňůry) k elektrické síti nebo na elektrické (bezšňůrové) nářadí poháněné akumulátorem.

DODRŽUJTE TYTO POKYNY

1) Pracovní prostor

- a) **Udržujte pracovní prostor v čistotě a zajistěte jeho dobré osvětlení.**
Neuspořádaný pracovní prostor a neosvětlené plochy mohou být příčinou nehod.
- b) **Neprovozujte elektrické nářadí ve výbušných prostředích, jako je například prostor s výskytem hořlavých kapalin, plynů nebo prachu.**
Při provozu elektrického nářadí vznikají jiskry, které mohou vznítit prach nebo výpary.
- c) **Zajistěte, aby se při provozu elektrického nářadí nezdřezovaly v blízkosti děti nebo okolostojící osoby.**
Ovedení pozornosti může způsobit ztrátu kontroly nad nářadím.

2) Elektrická bezpečnost

- a) **Zástrčky elektrického nářadí musí odpovídat používané zásuvce.**
Nikdy jakýmkoli způsobem neupravujte zástrčku.
Nepoužívejte jakékoli rozvodné zástrčky s uzemněným (ukostřeným) elektrickým nářadím.
Původní neupravené zástrčky a vhodné zásuvky snižují nebezpečí úrazu elektrickým proudem.
- b) **Vyvarujte se kontaktu s uzemněnými nebo ukostřenými plochami, jako jsou např. trubky, radiátory, sporáky a chladničky.**
Vzniká zvýšené nebezpečí úrazu elektrickým proudem, pokud je Vaše tělo uzemněné nebo ukostřené.
- c) **Nevystavujte elektrické nářadí dešti nebo mokřým podmínkám.**
Voda, která vnikne do elektrického nářadí, zvyšuje nebezpečí úrazu elektrickým proudem.
- d) **Nezabíhávejte s přívodní šňůrou nevhodným způsobem. Nikdy nepoužívejte přívodní šňůru pro nošení, tahání nebo vypojování elektrického nářadí. Zajistěte, aby se přívodní šňůra nedostala do kontaktu se zdroji tepla, olejem, ostrými hranami nebo pohyblivými se částmi.**
Poškozené nebo zauzlené přívodní šňůry zvyšují nebezpečí úrazu elektrickým proudem.
- e) **Při práci s elektrickým nářadím ve vnějších prostorech používejte prodlužovací šňůru vhodnou pro venkovní použití.**
Použití přívodní šňůry vhodné pro venkovní prostředí snižuje nebezpečí úrazu elektrickým proudem.

3) Bezpečnost osob

- a) **Bud'te při práci vždy pozorní, sledujte prováděnou práci a během práce s elektrickým nářadím postupujte rozumně.**
Nepoužívejte elektrické nářadí v případě únavy nebo pod vlivem drog, alkoholu nebo léků.
Pouhý okamžik nepozornosti při práci s elektrickým nářadím může způsobit vážné zranění.
- b) **Používejte ochranné pomůcky. Vždy používejte ochranu zraku.**

Ochranné pomůcky, jako jsou protiprachová maska, obuv s neklouzavou úpravou podrážky, ochranná přilba nebo chrániče sluchu použít pro vhodné podmínky sníží nebezpečí zranění.

- c) **Zajistěte, aby nedošlo k náhodnému spuštění nářadí. Zabezpečte, aby vypínač byl před zapojením do sítě v poloze vypnutu.**
Nošení elektrického nářadí s prstem na vypínači a připojování elektrického nářadí s vypínačem v poloze zapnuto může způsobit nehody.
- d) **Před zapnutím elektrického nářadí vymontujte všechny seřizovací klíče.**
Klíč upevněný na otáčející se části elektrického nářadí může způsobit zranění osob.
- e) **Zajistěte náležitou stabilitu při práci. Během práce je třeba vždy zaujmout náležitý a stabilní postoj.**
Tím se dosáhne lepšího ovládní elektrického nářadí v neočekávaných situacích.
- f) **Při práci používejte vhodný oděv. Nepoužívejte volný oděv nebo šperky. Zajistěte, aby se Vaše vlasy, oděv nebo rukavice nedostaly do kontaktu s pohyblivými se částmi nářadí.**
Volný oděv, šperky nebo dlouhé vlasy se mohou zachytit do pohyblivých se částí.
- g) **Pokud se používají zařízení pro připojení odsávání prachu a sběrných zařízení, zajistěte jejich správné zapojení a použití.**
Používejte tato zařízení pro snížení nebezpečí, která vznikají v prašném prostředí.

4) Použití a ošetřování elektrického nářadí

- a) **Netlačte na elektrické nářadí. Pro Váš způsob použití zvolte správné elektrické nářadí.**
Správné elektrické nářadí provede práci lépe a bezpečněji rychleji, pro které bylo konstruováno.
- b) **Nepoužívejte elektrické nářadí, pokud vypínač není funkční.**
Jakékoli elektrické nářadí, které nelze ovládat vypínačem, je nebezpečné a je třeba je opravit.
- c) **Při provádění jakýchkoli nastavení, změně příslušenství nebo uskladňování elektrického nářadí odpojte vždy zástrčku ze zdroje energie.**
Tato preventivní bezpečnostní opatření snižují nebezpečí náhodného uvedení elektrického nářadí do chodu.
- d) **Uložte nepoužívané elektrické nářadí mimo dosah dětí a nedovolte, aby osoby, které nejsou seznámeny s provozem elektrického nářadí a s těmito pokyny, toto elektrické nářadí používaly.**
Elektrické nářadí je v ruce nevyškoleného uživatele nebezpečné.
- e) **Provádějte údržbu elektrického nářadí. Zkontrolujte elektrické nářadí, zda je správně seřízené nebo nedochází k vážnutí chodu pohyblivých se částí, zda nejsou nějaké části poškozené a zda nevznikly jakékoli jiné poruchy, které mohou negativně ovlivnit provoz elektrického nářadí.**
V případě poškození si nechejte elektrické nářadí před použitím opravit.
Velký počet nehod je způsobeno nedostatečnou údržbou elektrického nářadí.
- f) **Udržujte řezné nástroje ostré a čisté.**
Správným způsobem udržované řezné nástroje s ostrými břity mají menší sklon k uváznutí a snadněji se při práci ovládají.

- g) Používejte elektrické nářadí, příslušenství, nástavce nástroje atd. ve shodě s těmito předpisy a způsobem stanoveným pro jednotlivý typ elektrického nářadí a přitom zohledněte pracovní podmínky a druh prováděné práce.
Použití elektrického nářadí pro práce odlišné od stanoveného účelu použití může způsobit nebezpečné situace.

5) Servis

- a) **Nechejte si provádět servis Vašeho elektrického nářadí kvalifikovanými opraváři a přitom používejte jen originální náhradní díly.**
Tím se zajistí zachování bezpečnosti elektrického nářadí.

PREVENTIVNÍ OPATŘENÍ

Zajistěte, aby děti a nemocné osoby se nezdržovaly v blízkosti.

Pokud se nářadí nepoužívá, je třeba je uskladnit mimo dosah dětí a nemocných osob.

OPATRNOST PŘI POUŽÍVÁNÍ VRTACÍHO KŁADIVA

- Používejte chrániče sluchu
 Působení hluku může způsobit ztrátu sluchu.
- Nedotýkejte se vrtáku během anebo krátce po použití.
 Vrták je silně zahřátý během použití a při dotyku může dojít k vážným popáleninám.
- Před započatím prací na stěnách, podlaze nebo stropěch se přesvědčte, že uvnitř se nenachází žádné elektrické kabely nebo vodiče.
- Použijte pomocné rukojeti dodávané s nářadím.
 Ztráta kontroly nad nářadím může způsobit zranění.
- Vždy držte hlavní a boční držadlo pevně v rukách. V opačném případě může reakční síla způsobit nepřesnou funkci anebo dokonce nebezpečí.
- Používejte protiprachovou masku
 Nevdechujte škodlivý prach vytvářený při vrtání nebo sekání. Prach může ohrozit Vaše zdraví a zdraví okolostojících osob.

PARAMETRY

Napětí (podle oblastí)*	(110V, 115V, 120V, 127V, 220V, 230V, 240V) ~
Vstupní příkon	1200W*
Kapacita	Vrták: 45 mm Okružní dutý vrták: 125 mm
Rychlost bez zatížení	120 - 240 min ⁻¹
Přiklepová rychlost při plném zatížení	1250 - 2500 min ⁻¹
Váha (bez šňůry a bočního držadla)	8,0 kg

*Zkontrolujte, prosíme, štítek na výrobku. Štítek podléhá změnám v závislosti na oblastech použití.

STANDARDNÍ PŘÍSLUŠENSTVÍ

- (1) Kufřík 1
 (2) Vysouvací držadlo 1
 (3) Zarážka 1
 (4) Mazadlo kladiva typu A 1
 Standardní příslušenství podléhá změnám bez upozornění.

DOPLŇKOVÉ PŘÍSLUŠENSTVÍ (prodává se zvlášť)

1. Vyvrtávání otvorů (Rotace + Přiklep)



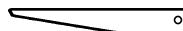
- (1) Vrták (SDS max stopka)

Vnější průměr (mm)	Celková délka (mm)
16	340, 540
19	
22	320, 520
25	

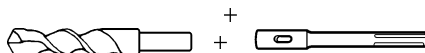
Vnější průměr (mm)	Celková délka (mm)
28	370, 570
32	
38	
40	

2. Vyvrtávání otvorů pro hmoždinky (Rotace + Přiklep)

Vrták (Kuzelová stopka)



- (3) Závlačka



- (1) Vrták (Kuzelová stopka) (2) Nástavec pro kuzelovou stopku (SDS max stopka)
 Vnější průměr:
 11, 12,3, 12,7, 14,3, 14,5, 17,5 mm

Nástavec pro kuzelovou stopku	Vrtací korunka
Morseův kužel (Č. 1)	Vrták (kuzelová stopka) 11, 12,3, 12,7, 14,3, 14,5, 17,5 mm

Nástavec pro kuželovou stopku SDS-plus



- (1) Vrták (SDS plus stopka) + (2) Nástavec pro kuželovou stopku SDS-plus (SDS max stopka)

3. Vrtání otvorů o velkém průměru (rotace + úder)



- (Šablona) (1) Středový vrták (2) Okružní vrták (3) Stopka středového vrtáku (SDS max stopka)

(1) Středový vrták

- Používá se pro středové vrtáky od 38 mm do 125 mm
- Používá se pro středové vrtáky od 32 mm do 35 mm

POZNÁMKA:

Nepoužívejte pro středové vrtáky 25 mm nebo 29 mm.

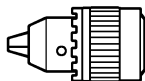
(2) Okružní vrták

- Vnější průměry 25, 29, 32, 35, 38, 45, 54, 64, 79, 94, 105, 120, 125 mm (se šablonou, nepoužívat pro okružní vrtáky 25 mm nebo 29 mm)

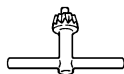
(3) Stopka středového vrtáku

- Používá se pro okružní vrtáky nad 38 mm
- Používá se pro okružní vrtáky pod 35 mm

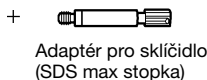
4. Vrtání otvorů Pro vrtání kovových a dřevěných materiálů



13 mm skličidlo (13VLA)



Klíč skličidla



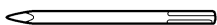
Adaptér pro skličidlo (SDS max stopka)

5. Instalace šroubů pomocí Chemické hmoždinky (Rotace + příklep)



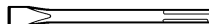
- (standardní nástrčný klíč) + (SDS max stopka)
12,7 mm adaptér pro chemickou hmoždinku
19 mm adaptér pro chemickou hmoždinku

6. Drcení (příklep)



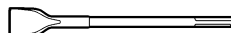
- (1) Vrtací hrot
Celková délka: 280, 400 mm

7. Sekání drážek a srážení hran (příklep)



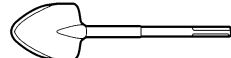
- (1) Dláto pro dlabání za studena
Celková délka: 280, 400 mm

8. Řezání asfaltu (příklep)



- (1) Ploché dláto

9. Vydlabávání (příklep)



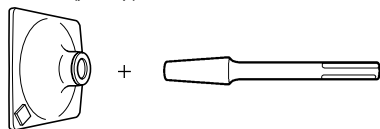
- (1) Vydlabávací dláto

10. Zdrsňování povrchu



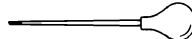
- (1) Zdrsňovací nástroj (2) Stopka

11. Utěšňování (příklep)



- (1) Beran 150 x 150 mm (2) Stopka

12. Stříkačka (pro odstraňování třísek)



- Vazelína kladiva A 500 g (v plechovce)
- 70 g (v zelené tubě)
- 30 g (v zelené tubě)

Doplňky podléhají změnám bez předchozího upozornění.

POUŽITÍ

- Vrtání otvorů do betonu
- Vrtání pilotních otvorů
- Drcení betonu, rozbíjení, kopání a vyrovnávání (za použití doplňků)

PŘED POUŽITÍM

1. Zdroj napětí

Ujistěte se, že používaný zdroj napětí splňuje požadavky specifikované na štítku výrobku.

2. Spínač

Ujistěte se, že spínač je v poloze vypnuto. Pokud je zástrčka zasunuta v zásuvce elektrického proudu a spínač je v poloze „ON“, nástroj začne okamžitě pracovat, a to může způsobit vážný úraz.

3. Prodlužovací kabel

Pokud je pracoviště vzdáleno od zdroje, použijte prodlužovací kabel o správné tloušťce a kapacitě. Je třeba, aby prodlužovací kabel byl co nejkratší.

4. Jak nainstalovat nástroj

POZNÁMKA:

Pro nástroje jako vrtací hrot nebo dláto pro dlabání za studena použijte jenom originální díly Hitachi.

- (1) Očistěte stopku nástroje a potřete ji vazelínou ze zelené tuby (**Obr. 1**).
- (2) Abyste nainstalovali nástroj (SDS max stopka), vložte jej do otvoru a dorazte jej až do konce otvoru, tak jak je zobrazeno na **Obrázku 2**.
Pokud pokračujete v otáčení nástroje, při mírném tlaku ucítíte místo, kde se nachází závěs. V tomto okamžiku zatáhněte za držadlo ve směru šípky a vložte nástroj až do konce, až dokud nenarazí na vnitřní hranu. Uvolnění držadla jej otočí do opačné polohy a uzamkne nástroj na místě.
- (3) Zatáhněte za nástroj, abyste se ujistili, že je uzamčen.
- (4) Pro vyjmutí nástroje zatáhněte za držadlo ve směru šípky a vytáhněte nástroj.

5. Regulace otáček a příklepu (**Obr. 3**)

Toto vrtací kladivo je vybaveno zabudovanou elektronickou kontrolou počtu otáček a příklepů. Lze ho použít na různé operace jako vrtání otvorů do křehkých materiálů, štípání, centrování apod. nastavením režimu na stupnici.

Poloha „1“ na stupnici je určena pro minimální rychlost 120 otáček za minutu a 1250 úderů za minutu. Poloha „6“ je určena pro maximální rychlost 240 otáček za minutu a 2500 úderů za minutu.

POZOR:

Neměňte nastavení na stupnici za provozu. Změna nastavení vyžaduje obsluhu zařízení pouze jednou rukou, což má za následek ztrátu stability rotačního kladiva a to může vést k úrazu.

POZNÁMKA:

Otočte volicí páčkou (netlačte tlačítko), abyste zkontrolovali, že je plně uzamčena, a ujistili se, že se neotáčí.

4. Když odsekáváte nebo sekáte při režimu „příklep“: POZOR:

- Pokud přepnete volicí páčku za chodu motoru, může nástroj začít náhle rotovat a to vede k neočekávaným úrazům. Ujistěte se, že motor je v úplném klidu před tím, než přepnete polohu volicí páčky.
 - Pokud používáte vrtný hrot nebo dláto pro dlabání za studena v poloze „rotace+příklep“, může nástroj začít náhle rotovat a to vede k neočekávaným úrazům. Ujistěte se, že jsou použity v poloze „příklep“.
- (1) Přepnutí do polohy „příklep“
 - (a) Stiskněte tlačítko, uvolněte pojistku a otočte volicí páčku proti směru hodinových ručiček.
 - (b) Nastavte značku ▲ na volicí páčce proti **T** na držáku páčky tak, jak je zobrazeno na **Obr.7**.
 - (c) Uvolněte tlačítko, aby se volicí páčka uzamkla.

POZNÁMKA:

Otočte páčkou (netlačte tlačítko), abyste zkontrolovali, že je plně uzamčena, a ujistili se, že se neotáčí.

- (2) Pokud umísťujete nástroje jako dláto apod. do pracovní polohy.
 - (a) Stiskněte tlačítko, uvolněte pojistku a otočte volicí páčku. Nastavte značku ▲ na volicí páčce proti **T** na držáku páčky tak, jak je zobrazeno na **Obr.8**.
 - (b) Uvolněte tlačítko, aby se volicí páčka uzamkla.
 - (c) Otočte držadlem tak, jak je zobrazeno na **Obr. 9** a zafixujte nástroj v požadované pracovní poloze.
 - (d) Přepněte volicí páčku do polohy „příklep“ tak, jak je uvedeno výše v (1), a zajištěte polohu nástroje.

5. Instalace zarážky (**Obr. 10**)

- (1) Uvolněte postranní držadlo a vložte rovnou část zarážky do otvoru pro šroub v držadle.
- (2) Posuňte zarážku do požadované polohy a pootočte postranní držadlo ve směru hodinových ručiček tak, abyste zarážku zajistili.

6. Zahřátí (**Obr. 11**)

Mazací systém s vazelínou tohoto zařízení může vyžadovat zahřátí ve studených oblastech.

Umístěte konec vrtáku tak, aby měl kontakt s betonem, přepněte spínač do polohy „ON“ a proveďte zahřívací operaci. Ujistěte se, že jednotka vydává úder, a poté použijte zařízení.

POZOR:

Při provádění zahřívací operace držte pevně hlavní a boční držadla oběma rukama tak, abyste zajistili bezpečnou polohu, a dejte pozor, abyste neotáčeli tělem, když se vrták zasekne.

JAK POUŽÍVAT VRTACÍ KLADIVO

1. Jak vrtat otvory (**Obr. 4**)

- (1) Zatáhněte za spínač poté, co jste umístili vrták do pracovní polohy.
- (2) Není nutné používat sílu při posunu vrtacího kladiva. Stačí mírně tlačít na vrtací kladivo tak, aby třísky mohly volně odcházet.

POZOR:

Přestože je zařízení vybaveno spojkou, zaseknutí nástroje v betonu nebo v jiném materiálu může způsobit reakční kroutící moment. Během provozu držte hlavní a boční držadla pevně v rukách.

2. Jak dlabat nebo drtit (**Obr. 5**)

Při nastavení stopky vrtáku do polohy dlabání nebo drčení použijte pouze vlastní váhy vrtacího kladiva. Použití síly nebo tlaku není nutné.

3. Vrtání v poloze „rotace a příklep“:

POZOR:

Pokud přepnete volicí páčku za chodu motoru, může zařízení začít náhle rotovat a to vede k neočekávaným úrazům. Ujistěte se, že motor je v úplném klidu před tím, než přepnete polohu volicí páčky.

- (1) Přepínání do režimu „rotace a příklep“
 - (a) Stiskněte tlačítko, uvolněte pojistku a otočte volicí páčku ve směru hodinových ručiček.
 - (b) Nastavte značku ▲ na volicí páčce proti **T** na držáku páčky tak, jak je zobrazeno na **Obr.6**.
 - (c) Uvolněte tlačítko, aby se volicí páčka uzamkla.

VRTÁNÍ A ZARÁŽENÍ HMOŽDINEK

1. Pokud používáte adaptér pro kuželovou stopku (**Obr. 12**)

- (1) Instalujte vrták s kuželovou stopkou do adaptéru.
- (2) Zapněte proud a vyvrtejte volicí otvor do hloubky označené drážkou na vrtáku.
- (3) Potom vyčistěte prach pomocí stříkačky, připojte zátku na hrot hmoždinky a zatlučte hmoždinku ručně kladivem.
- (4) Abyste vyjmuli vrták (kuželová stopka), vložte závlačku do otvoru adaptéru pro kuželovou stopku a uhoďte na konec závlačky kladivem. Mějte zařízení podepřeno (**Obr. 13**).

POUŽÍVÁNÍ SKLÍČIDLA A ADAPTÉRU SKLÍČIDLA

Všimněte si, že toto zařízení lze použít v režimu pouze „rotace“, pokud je nainstalováno příslušenství jako sklíčidlo pro vrtáky a adaptér sklíčidla, která se dodávají zvlášť jako doplňková příslušenství. Použijte je, když je volicí páčka na volbě „rotace + příklep“.

POZOR:

Během provozu držte hlavní a boční držadla pevně oběma rukama, aby se vaše tělo nekývalo.

- (1) Přepínání do polohy „rotace + příklep“
Pro přepnutí do polohy „rotace + příklep“ použijte stejný postup jako je uvedený v (3 Vrtání v poloze „rotace + příklep“).
- (2) Připojení adaptéru pro sklíčidlo ke sklíčidlu (**Obr. 14**)
 - (a) Připojte adaptér pro sklíčidlo ke sklíčidlu
 - (b) SDS max stopka adaptéru pro sklíčidlo je ekvivalentní vrtáku. Použijte tedy stejný postup jako je uvedený v (Jak nainstalovat nástroj) pro instalaci a deinstalaci.
- (3) Vrtání
 - (a) I když použijete větší tlak na zařízení než je nutné, vrtání nikdy nebude pokračovat tak rychle, jak byste si přáli. Použití větší síly nebo tlaku na zařízení než je nutné má opačný účinek: ničí nástroj, což má za následek snížení efektivity práce a snížení životnosti tohoto zařízení.
 - (b) Vrták se někdy může zlomit, když už je vrtání téměř u konce. Je důležité, abyste zmírnili tlak, když se vrtání blíží ke konci.

JAK ZACHÁZET S VRTÁKEM

Používá-li se vrták, lze vrtat otvory o velkých průměrech nebo slepé otvory. V těchto případech použijte přidavné doplňky pro okružní vrtáky (jako jsou středový vrták a stopka okružního vrtáku), abyste dosáhli efektivnějšího použití.

1. Instalace

POZOR:

Odpojte zařízení od zdroje napětí, kdykoliv instalujete vrták.

- (1) Namontujte okružní vrták na stopku okružního vrtáku (**Obr. 15**). Před tím naneste olej na závit stopky okružního vrtáku, aby se vám vrták lehce demontoval.
- (2) Nainstalujte stopku okružního vrtáku na zařízení stejným způsobem jako vrták nebo vrták se špičkou (**Obr. 16**).
- (3) Vložte středový vrták do šablony až do krajní polohy.
- (4) Umístěte šablonu tak, aby konkávní část šablony byla proti hrotu vrtáku. Pokud je konkávní část posunuta vlivem pootočení šablony doleva nebo doprava, potom šablonu nelze sejmout, i když je vrták použit v poloze dolů. (**Obr. 17**).

2. Vrtání otvorů

- (1) Připojte zařízení ke zdroji
- (2) Ve středovém vrtáku se nachází pružina. Zatlačíme-li jemně a kolmo proti stěně nebo podlaze, celá plocha středového vrtáku bude v kontaktu tak, aby se mohlo zahájit vrtání otvoru (**Obr. 18**).
- (3) Dosáhne-li hloubka otvoru asi 5 mm, lze určit jeho polohu. Odstraňte středový vrták a šablonu a pokračujte ve vrtání otvoru.

POZOR:

Zařízení musí být odpojeno od zdroje elektrického napětí při odstraňování středového vrtáku a šablony.

3. Jak demontovat okružní vrták

- Držte vrtací kladivo ve vertikální poloze (s vloženým okružním vrtákem směrem nahoru), zapněte vrtací kladivo a zopakujte 2-3x příklepovou operaci. Tím se uvolní šroub a vrtací kladivo je připraveno k demontáži. (**Obr. 19**).
- Odstraňte stopku vrtáku z vrtacího kladiva. Držte okružní vrták jednou rukou a silně uhoďte do SDS max stopky okružního vrtáku ručním kladivem dva až třikrát. Tím se uvolní šroub s kulatou hlavou a vrtací kladivo je připraveno k demontáži. (**Obr. 20**).

JAK VYMĚNIT VAZELÍNU

Toto zařízení je vzduchotěsné konstrukce, aby bylo chráněno před prachem a únikem mazadla. Z toho důvodu lze zařízení používat dlouho bez mazání. Vyměňte vazelinu podle níže uvedeného návodu.

1. Mazací cyklus

Vyměňte vazelinu každých 6 měsíců. Požádejte o výměnu vazeliny u nejbližšího autorizovaného servisního střediska firmy Hitachi.

2. Výměna vazeliny

POZOR:

Před tím, než vyměňte vazelinu, odpojte zařízení od zdroje elektrického napětí.

- (1) Odstraňte kryt převodovky a odstraňte vazelinu vevnitř. (**Obr. 21**).
- (2) Naneste 30g Hitachi Electric Hammer Grease A (Standardní doplněk v tubě) do krytu převodovky.
- (3) Poté, co doplníte vazelinu, nainstalujte kryt.

POZNÁMKA:

Hitachi Electric Hammer Grease A je vazelína o nízké viskozitě. Pokud je to nutné, kupte vazelinu u nejbližšího autorizovaného servisního střediska firmy Hitachi.

ÚDRŽBA A KONTROLA

1. Kontrola nástroje

Protože používání tupého nástroje sníží efektivitu a způsobí možné poruchy motoru, nabruse nebo vyměňte nástroj, jakmile zjistíte jeho otupení.

2. Kontrola šroubů

Pravidelně zkontrolujte všechny šrouby a ujistěte se, že jsou správně utažené. Pokud najdete některé šrouby uvolněné, ihned je utáhněte. Neutažené šrouby mohou vést k vážnému riziku.

3. Údržba motoru

Vinutí motoru je srdce elektrického zařízení. Ujistěte se, že vinutí není poškozené nebo vlhké vodou nebo olejem.

4. Kontrola uhlíkových kartáčků (**Obr. 22**).

Motor obsahuje uhlíkové kartáčky, které jsou opotřebitelné. Pokud se opotřebí nebo jsou na pokraji „limitu životnosti“, může dojít k problému s motorem. Pokud je použit automatický uhlíkový kartáček se samozastavením, dojde k automatickému zastavení motoru. Pokud se tak stane, vyměňte oba kartáčky za nové se stejnými čísly, jako je uvedeno na obrázku. Navíc vždycky zajistěte, aby byly kartáčky čisté, a aby se volně pohybovaly v držácích.

5. Výměna uhlíkových kartáčků

Uvolněte dvě sady šroubů a sejměte zadní kryt. Sejměte kryty kartáčků a vyměňte kartáčky. Po výměně kartáčků utáhněte kryty kartáčků a instalujte zadní kryt utažením obou sad šroubů.

6. Seznam servisních položek

A: Číslo položky

B: Kód položky

C: Číslo použití

D: Poznámky

POZOR

Oprava, modifikace a inspekce zařízení Hitachi musí být prováděny autorizovaným servisním střediskem Hitachi.

Tento seznam servisních položek bude pomoci, předložíte-li jej s vaším zařízením autorizovanému servisnímu středisku Hitachi společně s požadavkem na opravu nebo další servis.

Při obsluze a údržbě elektrických zařízení musí být dodržovány bezpečnostní předpisy a normy platné v každé zemi, kde je výrobek používán.

MODIFIKACE

Výrobky firmy Hitachi jsou neustále zdokonalovány a modifikovány tak, aby se zavedly nejposlednější výsledky výzkumu a vývoje.

Následně, některé díly (např. čísla kódů nebo návrh) mohou být změněny bez předešlého oznámení.

POZNÁMKA:

Vlivem stále pokračujícího výzkumného a vývojového programu HITACHI mohou zde uvedené parametry podléhat změnám bez předchozího upozornění.

Informace o hluku a vibracích

Měřené hodnoty byly určeny podle EN60745 a deklarovány ve shodě s ISO 4871.

Změřená vážená hladina akustického výkonu A: 105 dB (A)

Změřená vážená hladina akustického tlaku A: 94 dB (A)

Neurčitost KpA: 3 dB (A)

Použijte ochranu sluchu.

Typická vážená střední hodnota zrychlení nepřesahuje 11,4 m/s²

GENEL GÜVENLİK KURALLARI

DİKKAT!

Bütün talimatları okuyun

Aşağıda belirtilen talimatların tümünün uygulamaması, elektrik çarpması, yangın ve/veya ciddi yaralanmalara sonuçlanabilir.

Aşağıdaki uyarılarda belirtilen "Elektrikli alet" terimi, işletilen (kablolu) veya (kablesiz) ana elektrik aletlerini kapsar.

BU TALİMATLARI SAKLAYINIZ

1) Çalışma ortamı

- Çalışma ortamı temiz ve iyi ışıklandırılmış olmalıdır.**
Dağınık ve karanlık ortamlar kazanın davetçisidir.
- Yanıcı sıvıların, gazların veya tozların bulunduğu patlayıcı ortamlarda elektrikli aletlerle çalışmayın.**
Elektrikli aletler kıvılcım sıçratabilir ve de gaz tozlarını ateşleyebilir.
- Elektrikli alet kullanırken çocuklardan ve seyircilerden uzak tutun.**
Dikkat dağıtıcı şeyler kontrolü kaybetmenize yol açabilir.

2) Elektrik güvenliği

- Elektrikli aletin fişi prize uygun olmalıdır. Fişi hiçbir şekilde değiştirmeye çalışmayın. Elektrikli aletin topraklanmış fişinde herhangi bir adaptör kullanmayın.**
Değiştirilmemiş fişler ve onlarla uygun prizler elektrik çarpmaya riskini azaltır.
- Boru, radyatör, ocak/fırın ve buzdolabı gibi topraklanmış yüzeylerle vücut temasından sakının.**
Vücüdünüzün toprakla temasa geçmesi elektrik çarpmaya riskini artırır.
- Elektrikli aletleri yağmur ve ıslak ortamlara maruz bırakmayın.**
Elektrikli aletin içersine su girmesi elektrik çarpmaya riskini artırır.
- Güç kablosuna zarar vermeyin. Elektrikli aleti taşımak, çekmek veya prizden çıkarmak için kabloyu kullanmayın.**
Kabloyu kesici veya hareketli parçalardan, sıcak yüzeylerden ve yağdan uzak tutun. Hasar görmüş veya dolaşmış kablolar elektrik çarpmaya riskini artırır.
- Elektrikli aleti açık alanlarda kullanırken, açık alana özel uzatma kablosu kullanın.**
Açık alana özel kablolar elektrik çarpmaya riskini azaltır.

3) Kişisel güvenlik

- Daima tetikte olun, elektrikli aleti kullanırken ne yaptığınızı farkında ve duyarlı olun.**
Elektrikli aleti alkol, ilaç veya uyuşturucu etkisi altındayken veya yorgunken çalıştırmayın.
Elektrikli aleti kullanırken gösterilecek bir sanayelik dikkatsizlik, ciddi yaralanmalara yol açabilir.
- Koruyucu ekipman kullanın. Daima koruyucu gözlük takın.**
Toz maskesi, kaymayan emniyet ayakkabısı, sert başlık veya işitme koruyucusu gibi koşullara uygun olan ve yaralanma riskini azaltıcı koruyucu ekipmanlar kullanın.
- Aletin istem dışı çalışmasına karşın önlem alın. Prize takmadan önce şalter düşmesinin kapalı konumda olduğundan emin olun.**

Elektrikli aleti parmağınız şalter üzerinde olduğu halde taşımak veya prize takmak kazanın davetçisidir.

- Elektrikli aleti çalıştırmadan önce ayar anahtarlarını çıkartın.**
Elektrikli aletin dönen kısmına takılı kalmış olan bir anahtar, yaralanmalara yol açabilir.
 - Fazla uzanmayın. Ayaklarınızın konumuna ve dengeye her zaman dikkat edin.**
Böylece beklenmedik bir durumla karşılaştığınızda, elektrikli aleti daha iyi kontrol altında tutmanızı sağlar.
 - Uygun çalışma giysisi giyin. Bol giysiler ve takılardan kaçının. Saçınızı, giysilerinizi ve eldiveninizi hareketli parçalardan uzak tutun.**
Bol giysiler, takılar veya uzun saç oynayan parçalara takılabilir.
 - Toz toplama bağlantısı için gerekli teçhizat ve bağlantı araçları sağlanmışsa, bunların bağlı olduğundan ve doğru şekilde kullanıldığından emin olun.**
Bu teçhizatların kullanılması tozun yaratacağı tehlikeleri azaltacaktır.
- 4) Elektrikli aletin kullanımı ve bakımı**
- Elektrikli aleti zorlamayın. Yapacağınız işe uygun doğru aleti kullanın.**
Doğru elektrikli aletin kullanılması işinizi hem kolaylaştıracağı gibi hem de tasarlanmış şekilde daha güvenli bir şekilde yapmanızı sağlar.
 - Eğer elektrikli aletin şalter düğmesi açılıp kapanmıyorsa, aleti kullanmayın.**
Şalter düğmesinden kumanda edilemeyen elektrikli aletler tehlike yaratır ve tamir edilmeleri gerekir.
 - Aksesuar değişimlerinde, ayarlamalar sırasında veya elektrikli aleti saklamadan önce elektrik bağlantısını kesin.**
Bu gibi önleyici emniyet tedbirleri elektrikli aletin istem dışı çalışmaya riskini azaltır.
 - Kullanılmayan elektrikli aletleri çocukların ulaşamayacağı yerlerde tutun. Aleti kullanmasını bilemeyen ve bu talimatlara aşına olmayan kişilere kullandırmayın.**
Elektrikli aletler deneyimsiz ve eğitilmemiş kişilerin eline tehlikeli olur.
 - Elektrikli aletin bakımını yapın. Hareketli parçaların yapışmamasını, kırık olmasını, düzenli hizalanmasını veya aletin işletimini etkileyecek herhangi bir durumun olmadığını kontrol edin.**
Çoğu kazaya yetersiz bakımlı elektrikli aletleri neden olur.
 - Aletlerinizi keskin ve temiz tutun.**
Düzenli bakımı yapılmış keskin uçlu takımların yapışma ihtimali azdır ve de kontrol edilmeleri daha kolaylaşır.
 - Elektrikli aleti, aksesuarları ve uçları vs. bu talimatlar doğrultusunda ve o elektrikli aletin amaçlanan kullanımı için, çalışma koşullarını ve de yapılacak işi göz önüne alarak kullanın.**
Elektrikli aletin amaçlanan kullanımı dışında kullanılması tehlikeli bir durum yaratabilir.
- 5) Servis**
- Elektrikli aleti vasıflı bir kişi tarafından sadece özdeş yedek parçalar kullanarak tamir edilmesini sağlayın.**
Böylece elektrikli aletin güvenli kullanımı sağlanacaktır.

ÖNLEM

Çocukları ve diğer yeterli güce sahip olmayan kişileri uzak tutun.

Kullanılmadığı zamanlarda aleti çocuk ve yeterli güce sahip olmayan kişilerin ulaşamayacağı bir yerde saklayın.

KIRICI DELİCİ KULLANILIRKEN ALINACAK ÖNLEMLER

1. Kulak koruyucusu kullanın
Gürültüye maruz kalma işitme kaybına yol açabilir.
2. Aleti kullandıktan hemen sonra matkap ucuna dokunmayın. Kullanım sırasında matkap ucu aşırı ısınır ve ciddi yanıklara neden olabilir.

3. Duvar, yer veya tavan kırma, parçalama veya delme işine başlamadan önce gömülü elektrik kablolarının veya boruların çalışacağı yerden geçmediğinden kesinlikle emin olun.
4. Aletle gelen yardımcı kolları kullanın.
Kontrolü kaybetme yaralanmaya yol açabilir.
5. Her zaman aletin gövde kabzasını ve yan kolunu sıkıca tutarak çalışın. Aksi halde geri tepme işin hassasiyeti bozabilir, hatta tehlikeli durumlar doğurabilir.
6. Toz maskesi takın
Delme ve keski işlemleri sırasında oluşabilecek zararlı toz parçacıklarını teneffüs etmeyin. Toz parçacıkları sizin ve etrafınızdakilerin sağlıklarını tehlikeye sokabilir.

TEKNİK ÖZELLİKLER

Voltaj (bölgelere göre)*	(110V, 115V, 120V, 127V, 220V, 230V, 240V) ~
Güç girişi	1200 W*
Kapasite	Mandren çapı: 45 mm Buat mandren çapı: 125 mm
Yüksüz hız	120 – 240 dak ⁻¹
Tam yükteki etki hızı	1250 – 2500 dak ⁻¹
Ağırlık (kablo ve yan kol hariç)	8,0 kg

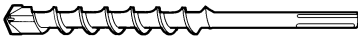
*Bu değer bölgeden bölgeye değişiklik gösterdiği için ürünün üzerindeki plakayı kontrol etmeyi unutmayın.

STANDART AKSESUARLAR

- (1) Çanta
 - (2) Yan Kol
 - (3) Derinlik mesnedi
 - (4) Kırıcı Gresli A
- Standart aksesuarlarda önceden bildirimde bulunulmadan değişiklik yapılabilir.

İSTEĞE BAĞLI AKSESUARLAR (ayrıca satılır)

1. Delik delme (Dönüş + Darbe)



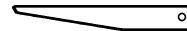
- (1) Matkap ucu (SDS max sapı)

Dış çap (mm)	Toplam uzunluk (mm)
16	340, 540
19	
22	320, 520
25	
28	370, 570
32	

Dış çap (mm)	Toplam uzunluk (mm)
38	370, 570
40	

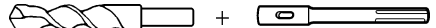
2. Dayanak noktalı delme (Dönüş + Darbe)

Matkap ucu (Konik saplı)



(3) Kama

+



- (1) Matkap ucu (konik saplı)
Dış çap: 11, 12,3, 12,7, 14,3, 14,5, 17,5 mm
- (2) Konik sap adaptörü (SDS max sapı)

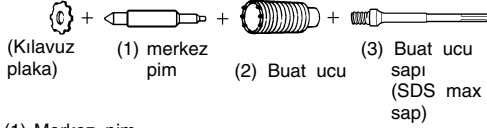
Konik sap adaptörü	Uygulama matkap ucu
Konik Mors (No. 1)	Makap ucu (konik saplı) 11, 12,3, 12,7, 14,3, 14,5, 17,5 mm

SDS-plus saplı uç için adaptör



- (1) Matkap ucu (SDS-plus sap)
- (2) SDS-plus saplı uç için adaptör (SDS max sap)

3. Geniş çaplı delik delme (Dönüş + Darbe)



(1) Merkez pim

- 38 mm ile 125 mm arasındaki buat uçlarına uygulanır.
- 32 mm ve 35 mm arasındaki buat uçlarına uygulanır.

NOT:

25 mm veya 29 mm buat uçlarını kullanmayın.

(2) Buat ucu

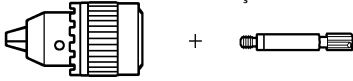
- Dış çap 25, 29, 32, 35, 38, 45, 54, 64, 79, 94, 105, 120, 125 mm

(kılavuz plakası ile birlikte, 25 mm veya 29 mm buat uçlarına uygulanmaz)

(3) Buat ucu sapı

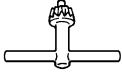
- 38 mm'nin üzerinde buat uçlarına uygulanır.
- 35 mm'nin altındaki buat uçlarına uygulanır.

4. Delik delme Metal ve ahşap malzemeleri delmek için



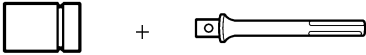
13 mm matkap ek mandreni (13VLA)

Mandren adaptörü (SDS max sap)



Mandren anahtarı

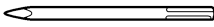
5. Lokma uzatmasıyla birlikte çalışan lokma (Dönüş + Darbe)



(Piyasada bulunan standart lokma)

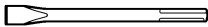
(SDS max sap)
12,7 mm Lokma Adaptörü
19 mm Lokma Adaptörü

6. Kırma (Darbe)



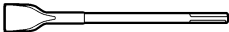
(1) Sivri keski
Toplam uzunluk: 280, 400 mm

7. Yiv açma ve bordür yapma (Darbe)



(1) Yassı keski
Toplam uzunluk: 280, 400 mm

8. Asfalt kesme (Darbe)



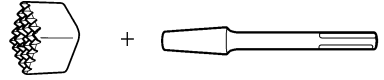
(1) Geniş yassı keski

9. Kazma işleri (Darbe)



(1) Kürek

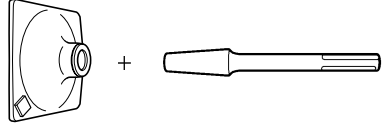
10. Yüze Tırtıklama (Darbe)



(1) Tarak çekici

(2) Sap

11. Sıkıştırma (Darbe)



(1) Sıkıştırma Çekici
150 x 150 mm

(2) Sap

12. Püskürteç (çapak temizlemek için)



○ Kırıcı gresi A

500 gr (teneke kutuda)

70 gr (yeşil tüp içinde)

30 gr (yeşil tüp içinde)

İsteğe bağlı aksesuarlarda önceden bildirimde bulunulmadan değişiklik yapılabilir.

UYGULAMALAR

- Betonda delik delme
- Geniş delik delme
- Beton kırma, kazma, çapak alma ve köşeli hale getirme (isteğe bağlı aksesuarlar kullanarak)

ALETİ KULLANMADAN ÖNCE**1. Güç kaynağı**

Kullanılan güç kaynağının, ürünün üzerinde bulunan plakada belirtilen güç gerekliliklerine uygun olduğundan emin olun.

2. Açma/ Kapama anahtarı

Açma/ kapama anahtarının OFF konumunda olduğundan emin olun. Açma/ kapama anahtarı ON konumundayken aletin fişi prize takılırsa, alet derhal çalışmaya başlar ve ciddi kazalar meydana gelebilir.

3. Uzatma kablosu

Çalışma alanı güç kaynağından uzakta olduğunda, yeterli kalınlıkta ve belirtilen gücü kaldırabilen bir uzatma kablosu kullanın. Uzatma kablosu olabildiğince kısa tutulmalıdır.

4. Takımın takılması**NOT:**

Sivri keski ve yassı keski gibi takımlar için yalnızca orijinal Hitachi takımlarını kullanın.

(1) Takım sapını temizleyip, ardından yeşil tüpte sağlanan gres yağıyla yağlayın (**Şekil 1**)

(2) Takımı (SDS max sap) takmak için, **Şekil 2'**de gösterildiği gibi takım sonuna kadar gidip iç kısma temas edecek şekilde deliğe yerleştirin.

Takımı hafif baskı yaparak döndürmeye devam ederseniz, bir yerde takıldığını hissedebilirsiniz. Tam o noktada mandrenin tutma yerini ok yönünde çevirin ve takımı en sona dayanacak şekilde deliğin içine yerleştirin.

Mandrenin tutma yerini bıraktığınızda mandren sıkılır ve takım sabitlenir.

- (3) Takımın sabitlendiğinden emin olmak için takımı çekin.
- (4) Takımı çıkarmak için, mandrenin tutma yerini ok yönünde çekin ve takımı dışarı çekin.

5. Dönüş devrinin ve darbenin ayarlanması (Şekil 3)

Bu Kırıcı Delici, dönüş devrini ve darbe sıklığını ayarlayan ve düzenleyen dahili bir elektronik kontrol devresine sahiptir. Yapılan işin niteliğine bağlı olarak (kırılған yüzeyleri delme, çapak alma, ortalama gibi) bu Kırıcı Deliciyi kadranı ayarlayarak kullanabilirsiniz. Kadrandaki '1' ölçeği, dakikada 120 devir ve 1250 darbeyle en düşük hızı gösterir. '6' ölçeği en yüksek hız için tasarlanmıştır ve dakikada 240 devir ve 2500 darbe hızına ulaşır.

DİKKAT:

Kadran ayarını alet çalışırken yapmayın. Bunu yaparsanız, kadran ayarını yapmak için Kırıcı Deliciyi tek elinizle tutmanız gerekeceğinden Kırıcı Deliciyi sabit bir şekilde kontrol edemeyebilir ve dolayısıyla yaralanmalara neden olabilirsiniz.

KIRICI DELİCİNİN KULLANILIŞI

1. Nasıl delik delinir? (Şekil 4)

- (1) Matkap ucunu delme konumuna getirdikten sonra şaltere basın.
- (2) Kırıcı delicinin gövdesini güçlü bir şekilde bastırmanız gerekmez. Kırıcı deliciyi, filizlerin rahatça çıkabileceği şekilde hafifçe bastırmanız yeterlidir.

DİKKAT:

Bu aletin emniyet kavramasıyla donatılmış olmasına karşın, matkap ucu beton ya da başka bir malzeme içeren yüzeylerde sıkıştığında, matkap ucunun durması, aletin gövdesinin dönmemesine neden olabilir. Çalışırken kabzayı ve yan kolu sıkıca tutmaya özen gösterin.

2. Keski veya kırma işleri nasıl yapılır? (Şekil 5)

Ucunu keski veya kırma işlerine uygun şekilde değiştirdikten sonra kırıcı deliciyi kendi ağırlığını kullanarak çalıştırın. Güçlü bir şekilde itmeniz veya bastırmanız gerekmez.

3. "Dönüş + darbe" kullanarak delerken

DİKKAT:

Motor çalışırken seçici kolun konumunu değiştirirseniz, alet aniden dönmeye başlayabilir ve beklenmedik kazalar meydana gelebilir. Seçici kolu motor tamamen durduğunda ayarlamaya özen gösterin.

- (1) "Dönme + darbe" konumuna getirmek
 - (a) Düğmeye basın, kilidin serbest kalmasını sağlayın ve seçicikolu saat yönünde çevirin.
 - (b) Seçici kolun ▲ işareti ile kol tutucusunun ■ işaretini Şekil 6'da gösterildiği gibi birbirine hizalayın.
 - (c) Seçici kolu kilitlemek için düğmeyi bırakın.

NOT:

Tamamen kilittenip kilittenmediğini anlamak için seçicikolu çevirin (düğmeye basmadan) ve dönmediğinden emin olun.

4. "Darbe" kullanarak kırma ve keski işi yaparken

DİKKAT:

- Motor çalışırken seçici kolun konumunu değiştirirseniz, alet aniden dönmeye başlayabilir ve beklenmedik kazalar meydana gelebilir. Seçici kolu motor tamamen durduğunda ayarlamaya özen gösterin.
- Sivri keski veya yassı keski "dönüş + darbe" konumunda kullanılırsa, alet dönmeye başlar ve beklenmedik kazalar meydana gelebilir. Bu takımların "darbe" pozisyonunda kullanıldığından emin olun.

- (1) "Darbe" konumuna getirmek
 - (a) Düğmeye basın, kilidin serbest kalmasını sağlayın ve seçici kolu saat ters yönünde çevirin.
 - (b) Seçici kolun ▲ işareti ile kol tutucusunun ■ işaretini Şekil 7'de gösterildiği gibi birbirine hizalayın.
 - (c) Seçici kolu kilitlemek için düğmeyi bırakın.

NOT:

Tamamen kilittenip kilittenmediğini anlamak için seçici kolu çevirin (düğmeye basmadan) ve dönmediğinden emin olun.

- (2) Yassı keski gibi takımların çalışma konumunu sabitlerken,
 - (a) Düğmeye basın, kilidin serbest kalmasını sağlayın ve seçici kolu saat ters yönünde çevirin.
Seçici kolun ▲ işareti ile kol tutucusunun ■ işaretini Şekil 8'de gösterildiği gibi birbirine hizalayın.
 - (b) Seçici kolu kilitlemek için düğmeyi bırakın
 - (c) Mandrenin tutma yerini Şekil 9'da gösterildiği gibi çevirin ve takımı istediğiniz çalışma yönünde sabitleyin.
 - (d) Yukarıda madde (1)'de belirtildiği gibi seçici kolu "darbe" işaretine getirip, takımın konumunu sabitleyin.

5. Derinlik mesnedinin takılması (Şekil 10)

- (1) Yan kolu gevşetin ve derinlik mesnedinin düz kısmını kolun civata deliğine yerleştirin.
- (2) Derinlik mesnedini istediğiniz şekilde ayarlayıp, mesnedi sabitlemek için yan kolun tutma yerini saat yönünde çevirin.

6. Isıtma (Şekil 11)

Soğuk bölgelerde bu alette kullanılan gres yağının ısıtılması gerekebilir.

Matkap ucunu betonla temas edecek şekilde yerleştirin, şalteri açın ve ısıtma işlemine başlayın. Darbe sesi geldiğinden emin olduktan sonra aleti kullanın.

DİKKAT:

Isıtma işlemi tamamlandıktan sonra, aleti sağlam bir şekilde tutmak için hem kabzasından hem de yan koldan tutun ve sıkıca matkap ucunun vücudunuzu döndürmemesine dikkat edin.

ANKRAJ İÇİN DELİK DELME VE YERLEŞTİRME İŞLERİ

1. Konik sap adaptörü kullanıldığında. (Şekil 12)

- (1) Konik sap adaptörüne konik saplı bir matkap ucu takın.
- (2) Aleti çalıştırın ve matkap ucunun kılavuz yivine kadar temel bir delik açın.
- (3) Püskürteçle tozları temizleyin, dübeli ankraj ucuna takip, ankrajı normal bir çekiçle yerine oturtun.
- (4) Matkap ucunu (konik saplı) çıkarmak için, kamayı konik sap adaptörünün yuvasına yerleştirin ve desteklerle sağlamlaştırarak kamanın başına normal bir çekiçle vurun. (Şekil 13)

EK MANDREN VE MANDREN ADAPTÖRÜNÜN KULLANILMASI

Ayrı satılan parçalar olan ek mandren ve mandren adaptörü takıldığında bu aletin "yalnızca dönüş" konumunda kullanılabileceğini unutmayın. Aleti kullanırken seçici kolu "dönüş + darbe" konumuna getirin.

DİKKAT:

Aleti kullanırken vücudunuzun sallanmasını önlemek için aleti hem kabzasından, hem de yan koldan tutmaya özen gösterin.

- (1) "Dönüş + darbe" konumuna getirmek
"Dönüş + darbe" konumuna getirmek için, (3. "Dönüş

+ darbe" kullanarak delerken) başlığında belirtilen prosedürü uygulayın.

- (2) Mandren adaptörünün ek mandrene takılması (**Şekil 14**)
 - (a) Mandren adaptörünü ek mandrene takın.
 - (b) Mandren adaptörünün SDS max sapı matkap ucuna karşılık gelir. Bu nedenle, takma ve çıkarma işleminde (Takım nasıl takılır?) başlığındaki prosedürlerin aynısını uygulayabilirsiniz.
- (3) Delme işlemi
 - (a) Aletin gövdesine gereğinden fazla basınç uygulamanız, delme işleminin umduğunuz kadar çabuk bitmez. Aletin gövdesine gereğinden fazla güç veya basınç uygulamak, aksine matkap ucunun hasar görmesine, dolayısıyla çalışma veriminin düşmesine ve aletin kullanım ömrünün kısalmasına neden olur.
 - (b) Delme işlemi tam biterken matkap ucu kırılabilir. Delme işleminin sonuna yaklaşırken aleti itme gücünüzü azaltmalısınız.

BUAT UCU NASIL KULLANILIR?

Buat ucu kullanarak çapı büyük delikler ve kör delikler delebilirsiniz. Bu durumda, isteğe bağlı buat ucu aksesuarları (merkez pimi ve buat ucu sapı) kullanarak daha verimli çalışabilirsiniz.

1. Takılması

DİKKAT:

Buat ucunu takmadan önce her zaman aletin fişini prizden çekin.

- (1) Buat ucunu, buat ucu sapına yerleştirin. (**Şekil 15**) Bundan önce, çıkarma işleminin kolay olabilmesi için buat ucu sapının dişli kısmını yağlayın.
- (2) Buat ucu sapını, matkap ucunu veya sivri keskiyi takar gibi aletin gövdesine takın. (**Şekil 16**)
- (3) Kenarları değene kadar merkez pimi kılavuz plakasına yerleştirin.
- (4) Dışbükey kısmı ile buat ucunun dış kısmını hizalayarak kılavuz plakasını oturtun. Kılavuz plakası sağa ya da sola döndürülerek dışbükeyin konumu kaydırıldığında, matkap aşağı doğru kullanılsa bile kılavuz plakası asla kayarak dışarı çıkmaz. (**Şekil 17**)

2. Deliklerin delinmesi

- (1) Aletin fişini prize takın.
- (2) Merkez pimde bir yay bulunur. Aleti dik ve hafif bir şekilde bir duvara veya zemine bastırıldığınızda, buat ucunun dış kısmı yüzeyin tamamına temas eder ve deliği delmeye başlar. (**Şekil 18**)
- (3) Deliğin derinliği yaklaşık 5 mm olduğunda, delik konumu belirlenebilir. Daha sonra merkez pimi ve kılavuz plakasını buat ucundan çıkarın ve delme işlemine devam edin.

DİKKAT:

Merkez pimi ve kılavuz plakasını çıkarırken her zaman aletin fişini prizden çekin.

3. Buat ucunun sökülmesi

- Kırıcı deliciyi (buat ucu takılı halde) yukarı doğru tutarken, kırıcı deliciyi çalıştırarak iki ya da üç kez etkili çalışmasını sağlayın; bu arada vida gevşer ve kırıcı delici sökme işlemine hazır hale gelir. (**Şekil 19**)
- Buat ucu sapını kırıcı deliciden çıkarın, buat ucunu bir elinizle tutarken buat ucu sapının SDSmax sap kısmının baş tarafına normal bir çekiçle iki ya da üç kez kuvvetli bir şekilde vurun; böylece yuvarlak başlı vida gevşer ve kırıcı delici sökme işlemine hazır hale gelir. (**Şekil 20**)

GRES YAĞI NASIL DEĞİŞTİRİLİR?

Bu alet toza karşı koruma sağlamak ve yağlama maddesi sızıntılarını önlemek için hava geçirmez bir yapıya sahiptir. Bu nedenle yağlama gerektirmeden uzun süre kullanılabilir. Gres yağını aşağıdaki gibi değiştirebilirsiniz.

1. Gres değiştirme süresi

Aleti satın aldıktan sonra kullandığınız süre boyunca her 6 ayda bir gres yağını değiştirin. Size en yakın Hitachi Yetkili Servis Merkezine Gidip, gres yağını değiştirmelerini isteyin. Yağı değiştirmelerini sağlayın.

2. Gresin tekrar doldurulması

DİKKAT:

Gres yağını tekrar doldurmadan önce aleti kapalı konuma getirin ve fişini prizden çekin.

- (1) Krank kapağını çıkarın ve iç kısımdaki gres yağını silin. (**Şekil 21**)
- (2) Krank kapağına 30 gr Hitachi Elektrikli Kırıcı Gres A (Standart aksesuar, tüpte bulunur) sürün.
- (3) Gres yağını yeniden doldurduktan sonra, krank kapağını sıkı bir şekilde yerine takın.

NOT:

Hitachi Elektrikli Kırıcı Gres A düşük viskoziteye sahip türlerdendir. Gerekirse, Hitachi Yetkili Servis Merkezlerinin birinden satın alabilirsiniz.

BAKIM VE İNCELEME

1. Takımın incelenmesi

Körelmiş takım kullanmak verimliliği düşüreceği ve motorun bozulmasına yol açabileceği için, aşınma gördüğünüz anda takımınızı bileyin veya değiştirin.

2. Montaj vidalarının incelenmesi

Tüm montaj vidalarını düzenli olarak inceleyin ve sağlam şekilde sıkılı olduğundan emin olun. Gevşeyen vidaları derhal sıkın. Gevşemiş vidalar ciddi tehlikelere yol açabilir.

3. Motorun incelenmesi

Motor biriminin sarıların, bu ağır iş aletinin "kalbidir". Sargının hasar görmediğinden ve/veya yağ ya da su ile ıslanmadığından emin olun.

4. Kömürlerin incelenmesi (Şekil 22)

Motorla tükenen parçalar olan kömürler bulunur. Kömürler aşındığında veya "yıpranma limitine" geldiğinde, motorda sorun olma ihtimali doğar. Otomatik durduran kömür kullanılıyorsa, motor otomatik olarak durur. Böyle bir durumda, şekilde gösterildiği gibi eski kömürleri, üzerlerinde aynı kömür numarası bulunan yenileriyle değiştirin. Ayrıca, kömürleri her zaman temiz tutun ve kömür tutucular arasında rahatça kayabildiğinden emin olun.

5. Kömürlerin değiştirilmesi

İki takım vidayı sökün ve arka kapağı çıkarın. Kömür kapaklarını ve kömürleri çıkarın. Kömürleri değiştirdikten sonra, kömür kapaklarını yerine sıkıca oturtun ve iki takım vidayı sıkarak arka kapağı sıkı bir şekilde yerine takın.

6. Servis parçaları listesi

- A: Parça no.
- B: Kod no.
- C: Kullanılan sayı
- D: Açıklamalar

DİKKAT

Hitachi Ağır İş Aletlerinin bakımı, değiştirilmesi ve incelenmesi, Hitachi Yetkili Servis Merkezlerince gerçekleştirilmelidir.

Bu Parça Listesi, tamir veya herhangi başka bir bakım gerektiğinde Hitachi Yetkili Servis Merkezine çok yardımcı olur.

Ağır iş aletlerinin kullanımı ve bakımı konusunda her ülkede yürürlükte olan güvenlik düzenlemelerine ve standartlarına uygun davranılmalıdır.

DEĞİŞİKLİKLER

Hitachi Ağır İş Aletleri en son teknolojik ilerlemelere uygun olarak sürekli değiştirilmekte ve geliştirilmektedir. Dolayısıyla ısıyla, bazı kısımlarda (örneğin kod numaraları ve/veya tasarım gibi) önceden bildirimde bulunulmadan değişiklik yapılabilir.

NOT:

HITACHI'nin süregelen araştırma ve geliştirme programına bağlı olarak burada belirtilen teknik özelliklerde önceden bildirimde bulunulmadan değişiklik yapılabilir.

Havadan yayılan gürültü ve titreşimle ilgili bilgiler

Ölçülen değerlerin EN60745 ve ISO 4871'e uygun olduğu tespit edilmiştir.

Ölçülmüş A-ağırlıklı ses gücü seviyesi: 105 dB (A)

Ölçülmüş A-ağırlıklı ses basınç seviyesi: 94 dB (A)

Belirsiz KpA: 3dB (A)

Kulak koruyucusu kullanın.

Tipik ağırlıklı ortalama karekök ivme değeri: 11,4 m/s²

ОБЩИЕ ПРАВИЛА ПО ТЕХНИКЕ БЕЗОПАСНОСТИ

ПРЕДУПРЕЖДЕНИЕ!

Прочтите руководство по эксплуатации

Невыполнение всех приведенных ниже положений данного руководства может привести к поражению электрическим током, пожару и/или к серьезной травме. Термин "электроинструмент" в контексте всех приведенных ниже мер предосторожности относится к эксплуатируемому Вами электроинструменту с питанием от сетевой розетки (с сетевым шнуром) или электроинструменту с питанием от аккумуляторной батареи (беспроводному).

СОХРАНИТЕ ДАННОЕ РУКОВОДСТВО

1) Рабочее место

- a) Поддерживайте чистоту и хорошее освещение на рабочем месте.

Беспорядок и плохое освещение на рабочих местах приводит к несчастным случаям.

- b) Не используйте электроинструменты во взрывоопасных окружающих условиях, например, в непосредственной близости от огнеопасных жидкостей, горячих газов или легковоспламеняющейся пыли.

Электроинструменты порождают искры, которые могут воспалить пыль или испарения.

- c) Держите детей и наблюдателей на безопасном расстоянии во время эксплуатации электроинструмента.

Отвлечение внимания может стать для Вас причиной потери управления.

2) Электробезопасность

- a) Штепсельные вилки электроинструментов должны соответствовать сетевой розетке. Никогда не модифицируйте штепсельную вилку никоим образом.

Не используйте никакие адаптерные переходники с заземленными (замкнутыми на землю) электроинструментами.

Немодифицированные штепсельные вилки и соответствующие им сетевые розетки уменьшают опасность поражения электрическим током.

- b) Не прикасайтесь телом к заземленным поверхностям, например, к трубопроводам, радиаторам, кухонным плитам и холодильникам.

Если Ваше тело соприкоснется с заземленными поверхностями, возрастет опасность поражения электрическим током.

- c) Не подвергайте электроинструменты воздействию дождя или влаги.

При попадании воды в электроинструмент возрастет опасность поражения электрическим током.

- d) Правильно обращайтесь со шнуром. Никогда не переносите электроинструмент, взявшись за шнур, не тяните за шнур, и не дергайте за шнур с целью отсоединения электроинструмента от сетевой розетки.

Располагайте шнур подальше от источников тепла, нефтепродуктов, предметов с острыми кромками и движущихся деталей.

Поврежденные или запутанные шнуры увеличивают опасность поражения электрическим током.

- e) При эксплуатации электроинструмента вне помещений, используйте удлинительный шнур, предназначенный для использования вне помещения.

Использование шнура, предназначенного для работы вне помещений, уменьшит опасность поражения электрическим током.

3) Личная безопасность

- a) Будьте готовы к неожиданным ситуациям, внимательно следите за своими действиями и руководствуйтесь здравым смыслом при эксплуатации электроинструмента.

Не используйте электроинструмент, когда Вы устали или находитесь под влиянием наркотиков, алкоголя или лекарственных препаратов.

Мгновенная потеря внимания во время эксплуатации электроинструментов может привести к серьезной травме.

- b) Используйте защитное снаряжение. Всегда надевайте средство защиты глаз.

Защитное снаряжение, например, противопылевой респиратор, защитная обувь с нескользкой подошвой, защитный шлем-каска или средства защиты органов слуха, используемые для соответствующих условий, уменьшат травмы.

- c) Избегайте непреднамеренного включения двигателя. Убедитесь в том, что выключатель находится в положении выключения перед подсоединением к сетевой розетке.

Переноска электроинструментов, когда Вы держите палец на выключателе, или подсоединение электроинструментов к сетевой розетке, когда выключатель будет находиться в положении включения, приводит к несчастным случаям.

- d) Снимите все регулировочные или гаечные ключи перед включением электроинструмента.

Гаечный или регулировочный ключ, оставленный прикрепленным к вращающейся детали электроинструмента может привести к получению личной травмы.

- e) Не теряйте устойчивость. Все время имейте надежную точку опоры и сохраняйте равновесие.

Это поможет лучше управлять электроинструментом в непредвиденных ситуациях.

- f) Одевайте надлежащим образом. Не надевайте просторную одежду или ювелирные изделия. Держите волосы, одежду и перчатки как можно дальше от движущихся частей.

Просторная одежда, ювелирные изделия или длинные волосы могут попасть в движущиеся части.

- g) Если предусмотрены устройства для присоединения приспособлений для отвода и сбора пыли, убедитесь в том, что они присоединены и используются надлежащим образом.

Использование данных устройств может уменьшить опасности, связанные с пылью.

4) Эксплуатация и обслуживание электроинструментов

- a) Не перегружайте электроинструмент. Используйте надлежащий для Вашего применения электроинструмент.

Надлежащий электроинструмент будет выполнять работу лучше и надежнее в том режиме работы, на который он рассчитан.

- b) Не используйте электроинструмент с неисправным выключателем, если с его помощью нельзя будет включить и выключить электроинструмент.**

Каждый электроинструмент, которым нельзя управлять с помощью выключателя, будет представлять опасность и его будет необходимо отремонтировать.

- c) Отсоедините штепсельную вилку от источника питания перед началом выполнения какой-либо из регулировок, перед сменой принадлежностей или хранением электроинструментов.**

Такие профилактические меры безопасности уменьшат опасность непреднамеренного включения двигателя электроинструмента.

- d) Храните неиспользуемые электроинструменты в недоступном для детей месте, и не разрешайте людям, не знающим как обращаться с электроинструментом или не изучившим данное руководство, работать с электроинструментом. Электроинструменты представляют опасность в руках неподготовленных пользователей.**

- e) Содержите электроинструменты в исправности. Проверьте, нет ли несоосности или заедания движущихся частей, повреждения деталей или какого-либо другого обстоятельства, которое может повлиять на функционирование электроинструментов. При наличии повреждения, отремонтируйте электроинструмент перед его эксплуатацией. Большое количество несчастных случаев связано с плохим обслуживанием электроинструментов.**

- f) Содержите режущие инструменты остро заточенными и чистыми. Содержащиеся в исправности надлежащим образом режущие инструменты с острыми режущими кромками будут меньше заедать, и будут легче в управлении.**

- g) Используйте электроинструмент, принадлежности, насадки и т.п., в соответствии с данным руководством и определенным типом электроинструмента**

для выполнения работы по его прямому назначению, принимая во внимание условия и объем выполняемой работы.

Использование электроинструмента для выполнения работ не по прямому назначению может привести к опасной ситуации.

- 5) Обслуживание**

- a) Обслуживание Вашего электроинструмента должно выполняться квалифицированным представителем ремонтной службы с использованием только идентичных запасных частей.**

Это обеспечит сохранность и безопасность электроинструмента.

МЕРА ПРЕДОСТОРОЖНОСТИ

Держите подальше от детей и слабых людей.

Если инструменты не используются, их следует хранить в недоступном для детей и слабых людей месте.

ТЕХНИКА БЕЗОПАСНОСТИ ПРИ ЭКСПЛУАТАЦИИ ПЕРФОРАТОРА

1. Одевайте наушники
Воздействие шума может привести к потере слуха.
2. Не дотрагивайтесь до сверла во время работы и сразу после её окончания. Сверло сильно нагревается во время работы и может стать причиной серьезных ожогов.
3. Перед тем как начать долбить или сверлить стену, пол или потолок, убедитесь в том, что внутри не проложены электрические кабели или водопроводные трубы.
4. Используйте вспомогательные рукоятки, прилагаемые к инструменту.
Потеря управления инструментом может привести к травме.
5. Постоянно крепко держите инструмент за рукоятку и боковую рукоятку. Иначе возникающая сила противодействия может привести к неаккуратной и даже опасной операции.
6. Одевайте противопылевой респиратор
Не вдыхайте вредную пыль, образуемую во время операций сверления или рубки. Пыль может подвергать опасности Ваше здоровье и здоровье окружающих людей.

ТЕХНИЧЕСКИЕ ХАРАКТЕРИСТИКИ

Напряжение (по регионам)*	(110 В, 115 В, 120 В, 127 В, 220 В, 230 В, 240 В) \surd
Потребляемая мощность	1200 Вт*
Диаметр бурения	Бур: 45 мм, полая бурильная коронка: 125 мм
Число оборотов холостого хода	120 – 240 мин. ⁻¹
Частота ударов при полной нагрузке	1250 – 2500 мин. ⁻¹
Вес (без шнура и боковой рукоятки)	8,0 кг

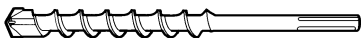
* Проверьте паспортную табличку на изделии, так как она меняется в зависимости от региона

СТАНДАРТНЫЕ АКСЕССУАРЫ

- (1) Чемоданчик 1
 - (2) Боковая рукоятка 1
 - (3) Ограничитель глубины 1
 - (4) Пластичная смазка А 1
- Набор стандартных аксессуаров может быть без предупреждения изменён.

ДОПОЛНИТЕЛЬНЫЕ АКСЕССУАРЫ (продаются отдельно).

1. Бурение сквозных отверстий (вращение с ударом).

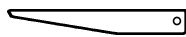


- (1) Бур (хвостовик SDS-max).

Внешний диаметр (мм)	Общая длина (мм)
16	340, 540
19	
22	320, 520
25	
28	370, 570
32	
38	
40	

2. Сверление анкерных отверстий (вращение + удар)

Сверло (с конусообразным стержнем)



- (3) Клин
+



- (1) Сверло (с конусообразным стержнем)
Внешние диаметры:
11; 12,3; 12,7; 14,3;
14,5; 17,5 мм
- (2) Насадка конусообразного стержня (с самозавинчивающимся стержнем)

Насадка конусообразного стержня	Прилагаемое сверло
Конус Морзе (№1)	Сверло(с конусообразным стержнем) 11; 12,3; 12,7; 14,3; 14,5; 17,5 мм

Насадка для самозавинчивающегося стержня



- (1) Сверло (SDS-plus хвостовик)
- (2) Адаптер под сверло с хвостовиком SDS-plus (SDS-max хвостовик)

3. Бурение отверстий большого диаметра (вращение с ударом).

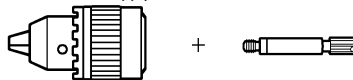


- (Направляю- (1) Центро- (2) Лезвие (3) Стержень
щая (щая) вочный бура лезвия бура
пластина) шток бур (с самозавинчивающимся стержнем)

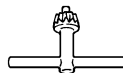
- (1) Центровочный шток
● Применяется для лезвий бура диаметрами от 38 мм до 125 мм
● Применяется для лезвий бура диаметрами 32 и 35 мм

ПРИМЕЧАНИЕ

- Не используйте полые бурильные коронки диаметром 25 мм или 29 мм.
(2) Полая бурильная коронка.
● Внешний диаметр 25, 29, 32, 35, 38, 45, 54, 64, 79, 94, 105, 120, 125 мм (с направляющей пластиной, за исключением коронок диаметром 25 мм или 29 мм)
(3) Хвостовик для полых бурильных коронок. Применим для полых бурильных коронок диаметром, большим 38 мм
● Применим для полых бурильных коронок диаметром, меньшим 35 мм
4. Сверление отверстий Для сверления материалов из металла и дерева.



- 13 мм сверлильный патрон (13VLA) Адаптер под патрон (хвостовик SDS-max)



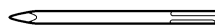
Ключ для патрона

5. Установка болтов для химических анкеров (вращение с ударом).



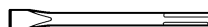
- (стандартное гнездо) (хвостовик SDS-max)
12,7 мм адаптер для химических анкеров
19 мм адаптер для химических анкеров

6. Дробление (долбление).



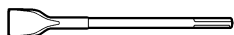
- (1) Пикообразный резец
Общая длина: 280, 400 мм.

7. Проточка канавок, "выборка массы", обработка кромки (долбление)



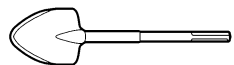
- (1) Слесарное зубило
Общая длина: 280, 400 мм.

8. Резка асфальта (долбление)



(1) Резец

9. Работа лопаткой (долбление)



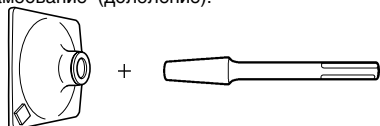
(1) Сок

10. Обдирка (долбление)



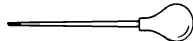
(1) Набивочная пластина (2) Хвостовик

11. Трамбование (долбление).



(1) Трамбовочная пластина 150×150 (2) Хвостовик

12. Шприц (для удаления крошки).



- Пластичная смазка А. 500г (в баночке)
- 70г (в зелёном тубике)
- 30г (в зелёном тубике)

Набор дополнительных аксессуаров может быть без предупреждения изменён.

удлинитель только на реально необходимую для данного конкретного применения длину.

4. Порядок установки сменного инструмента ПРИМЕЧАНИЕ

Такой инструмент как пикообразный резец и слесарное зубило эксплуатируйте только совместно с оригинальными аксессуарами фирмы HITACHI.

- (1) Почистите и затем смажьте хвостовик инструмента пластичной смазкой, поставляемой в зелёном тубике (рис. 1).
- (2) Для монтажа сменного инструмента (хвостовик SDS-макс), вставьте его в отверстие до упора (см. рис. 2). Если продолжать поворачивать инструмент, слегка надавливая на него, то можно почувствовать совпадение шлицев патрона и пазов хвостовика инструмента. После чего оттяните зажим в направлении стрелки и протолкните вовнутрь инструмент до упора.
- (3) Отпустите зажим в исходное положение. Сменный инструмент будет зафиксирован в патроне перфоратора.
- (4) Для демонтажа сменного инструмента, полностью оттяните зажим в направлении стрелки и выньте инструмент.

5. Регулировка числа оборотов ударов (рис. 3).

Эта модель перфоратора имеет встроенную электронную схему контроля, позволяющую регулировать число оборотов и ударов. В зависимости от содержания работы (бурение отверстий в хрупких материалах, дробление, центрование и т.д.) регулировочным колесом выставляют оптимальное значение числа оборотов и ударов. Цифра "1" на регулировочном колесе соответствует минимальной скорости (120 оборотов в минуту и 1250 ударов в минуту). Цифра "6" соответствует максимальной скорости (240 об./мин. и 2500 уд./мин.).

ПРЕДОСТЕРЕЖЕНИЕ.

Не осуществляйте регулировку числа оборотов и ударов одновременно с работой инструментом. Оперирруя регулировочным колесом в процессе работы, вы вынуждены будите держать перфоратор одной рукой, что сделает невозможным надёжный контроль за инструментом и, как следствие, может привести к травме.

ОБЛАСТЬ ПРИМЕНЕНИЯ

- Бурение отверстий в бетоне.
- Сверление анкерных отверстий.
- Дробление бетона, скальвание, проделывание небольших проемов и штробление, подрезка торца (применяются дополнительные аксессуары).

ПОДГОТОВКА К ЭКСПЛУАТАЦИИ

1. Источник электропитания

Проследите за тем, чтобы используемый источник электропитания соответствовал требованиям к источнику электропитания, указанным на типовой табличке изделия.

2. Переключатель "Вкл./ Выкл."

Убедитесь в том, что переключатель находится в положении "Выкл.". Если вы вставляете штепсель в розетку, а переключатель находится в положении "Вкл.", инструмент немедленно заработает, что может стать причиной серьёзной травмы.

3. Удлинитель

Когда рабочая площадка удалена от источника электропитания, пользуйтесь удлинителем. Удлинитель должен иметь требуемую площадь поперечного сечения и обеспечивать работу инструмента заданной мощности. Разматывайте

ЭКСПЛУАТАЦИЯ ПЕРФОРАТОРА

1. Бурение отверстий (рис. 4).

- (1) Приставьте кончик бура к точке бурения, после чего нажмите на курок.
- (2) Нет необходимости принудительно давить на перфоратор. Достаточно слегка прикладывать силу к инструменту так, чтобы шам выводился из отверстия.

ПРЕДОСТЕРЕЖЕНИЕ.

Хотя данный инструмент оснащён предохранительной муфтой расцепления, если бур начинает вязнуть в бетоне или другом материале, то последующая за этим остановка бура может стать причиной прокручивания инструмента. Во время работы обязательно крепко держитесь за обе рукоятки перфоратора.

2. Работа пикой или долотом (рис. 5).

Прикладывая пику или долото к обрабатываемой поверхности, управляйте перфоратором, используя его собственный вес. В принудительном давлении или толчках нет необходимости.

3. Бурение в режиме "Вращение с ударом".

ПРЕДОСТЕРЕЖЕНИЕ.

Если оперировать ручкой-переключателем во время работы двигателя, вращение бура может потерять плавность, что очень опасно. Меняйте режимы работы ручкой-переключателем только тогда, когда двигатель полностью остановлен.

(1) Переключение в режим "Вращение с ударом".

(a) Потяните за ручку-переключатель, снимите замок и поверните ручку-переключатель по часовой стрелке.

(b) Совместите значок треугольника на ручке-переключателе с аналогичным значком на той стороне нижней крышки, что обозначена символами молоточка и бура (см. **рис. 6**).

(c) Зафиксируйте ручку-переключатель, нажав на неё.

ПРЕДОСТЕРЕЖЕНИЕ.

Попробуйте покрутить ручку-переключатель (не тяните её вверх) с целью убедиться в том, что она надёжно фиксирована и не поворачивается.

4. Работа пикообразным резцом (зубилом, долотом) в режиме "Долбление".

ПРЕДОСТЕРЕЖЕНИЕ.

○ Если оперировать ручкой-переключателем во время работы двигателя, возможно появление сбоев в работе инструмента, что очень опасно. Меняйте режимы работы ручкой-переключателем только тогда, когда двигатель полностью остановлен.

○ Перед началом работы пикообразным резцом (зубилом, долотом) убедитесь в том, что установлен режим "Долбление". Работа с вышеуказанным сменным инструментом в режиме "Вращение с ударом" может привести к проворачиванию перфоратора, что очень опасно.

(1) Переключение в режим "Долбление".

(a) Потяните за ручку-переключатель, снимите замок и поверните ручку-переключатель против часовой стрелки.

(b) Совместите значок треугольника на ручке-переключателе с аналогичным значком на той стороне нижней крышки, что обозначена символом молоточка (см. **рис. 7**).

(c) Зафиксируйте ручку-переключатель, нажав на неё.

ПРЕДОСТЕРЕЖЕНИЕ.

Попробуйте покрутить ручку-переключатель (не тяните её вверх) с целью убедиться в том, что она надёжно фиксирована и не поворачивается.

(2) Порядок фиксации в рабочем положении сменного инструмента.

(a) Потяните за ручку-переключатель, снимите замок и поверните её так, чтобы совместить значок треугольника на ручке-переключателе с символом колечка на нижней крышке (см. **рис. 8**).

(b) Зафиксируйте ручку-переключатель, нажав на неё.

(c) Поверните зажим так, как показано на **рис. 9**, и зафиксируйте рабочее положение инструмента.

(d) Переведите ручку-переключатель в положение, соответствующее режиму "Долбление", действуя так, как описано в пункте (1).

5. Установка ограничителя глубины (рис. 10).

(1) Ослабьте боковую рукоятку и вставьте ограничитель глубины в отверстие под болт на рукоятке.

(2) Передвиньте ограничитель глубины в нужную позицию и, закрутив ручку боковой рукоятки по часовой стрелке, зафиксируйте его.

6. Прогревание (рис. 11).

В холодных регионах системе смазки данного инструмента может потребоваться прогревание. Приставьте кончик бура к бетонной поверхности, включите инструмент и прогрейте перфоратор. Начинать эксплуатацию инструмента можно будет после того, как вы отчетливо услышите звук удара.

ПРЕДОСТЕРЕЖЕНИЕ.

Прогревая перфоратор, держите его крепко за обе рукоятки. Будьте осторожны, заклинивание бура может привести к потере вами равновесия и падению.

СВЕРЛЕНИЕ ОТВЕРСТИЙ И УСТАНОВКА АНКЕРОВ

1. Применение адаптера под конический хвостовик (рис. 12).

(1) Установите сверло с коническим хвостовиком в адаптер под конический хвостовик.

(2) Включите инструмент и просверлите базовое отверстие, выверяя его глубину по бороздке-индикатору на сверле.

(3) Используя шприц, почистите отверстие от пыли. Приставьте насадку к головке анкера и забейте его в отверстие ручным молотком.

(4) Для того чтобы вынуть сверло с коническим хвостовиком, положите адаптер со сверлом на опоры, вставьте выбивной клин в щель адаптера и ударьте по клину молотком (**рис. 13**).

ЭКСПЛУАТАЦИЯ СВЕРЛИЛЬНОГО ПАТРОНА И АДАПТЕРА К НЕМУ

Обратите внимание на то, что данный инструмент может эксплуатироваться в состоянии "только вращение", если на нём установлены отдельно продающиеся аксессуары, такие как сверлильный патрон и адаптер к нему. Работайте инструментом в режиме "Вращение с ударом".

ПРЕДОСТЕРЕЖЕНИЕ.

Во время работы крепко держите инструмент за обе рукоятки, что поможет вам сохранить равновесие.

(1) Переключение в режим "Вращение с ударом". Для переключения в этот режим, действуйте как указано в п. 3 "Бурение в режиме "Вращение с ударом" ".

(2) Установка адаптера на сверлильный патрон (**рис. 14**).

(a) Установите адаптер на сверлильный патрон.
 (b) Хвостовик SDS-max адаптера такой же, что и у бура. Следовательно, монтаж адаптера на перфоратор и демонтаж производится в той же последовательности, что указана в пункте "Порядок установки сменного инструмента".

- (3) Сверление.
- (a) Нельзя ускорить процесс сверления, излишне надавливая на инструмент во время работы. Приложение к перфоратору большей силы, чем требуется, напротив, приведёт к порче сверла, что, в свою очередь, станет причиной снижения производительности и уменьшения срока службы инструмента.
- (b) Иной раз сверло может треснуть в самом конце операции сверления. Поэтому важно ослабить давление, когда операция сверления близка к завершению.

КАК ПОЛЬЗОВАТЬСЯ ПОЛЫМИ БУРИЛЬНЫМИ КОРОНКАМИ

Применяя полые бурильные коронки, можно бурить обычные и глухие отверстия большого диаметра. В этом случае используйте дополнительные аксессуары для полых бурильных коронок (такие как центрирующий штырь и хвостовик для полой бурильной коронки) для повышения производительности работы.

1. Сборка.

ПРЕДОСТЕРЕЖЕНИЕ.

Перед тем как устанавливать полую бурильную коронку обязательно выньте штепсель из электророзетки.

- (1) Накрутите полую бурильную коронку на хвостовик (см. **рис. 15**). Перед этим смажьте маслом резьбу хвостовика, это облегчит впоследствии демонтаж коронки.
- (2) Установите хвостовик для полой бурильной коронки на перфоратор, действуя также, как при установке бура и пикообразного резца (**рис. 16**).
- (3) Вставьте центрирующий штырь до конца в направляющую.
- (4) Установите направляющую внутрь полой бурильной коронки, совмещая её вогнутую часть с зубьями коронки. Поверните направляющую вправо или влево, сдвинув её вогнутую часть в сторону от зубьев. Теперь направляющая не выскочит наружу даже тогда, когда перфоратор эксплуатируется полой бурильной коронкой вниз (**рис. 17**).

2. Бурение отверстий.

- (1) Вставьте штепсель в электророзетку.
- (2) В центрирующий штырь встроена пружина. Аккуратно, под прямым углом прижмите его к поверхности стены или пола так, чтобы зубья полой бурильной коронки прижались к стене (полу) всей своей режущей кромкой. Начните бурить (**рис. 18**).
- (3) Положение отверстия определится, когда глубина отверстия достигнет приблизительно 5 мм. После чего снимите центрирующий штырь и направляющую с полой бурильной коронки и продолжите бурить без них.

ПРЕДОСТЕРЕЖЕНИЕ.

Перед тем как снять центрирующий штырь и направляющую с полой бурильной коронки, выньте штепсель из электророзетки.

3. Разборка.

- Держа перфоратор полой бурильной коронкой вверх, немного поработайте с ним на холостом ходу. Это поможет ослабить резьбовое соединение коронки с хвостовиком и облегчит их разборку (**рис. 19**).

- Выньте хвостовик полой бурильной коронки из патрона перфоратор. Держа бурильную коронку одной рукой, сильно ударьте два, три раза молотком по хвостовику со стороны SDS-max крепления. Это поможет ослабить резьбовое соединение коронки с хвостовиком и облегчит их разборку (**рис. 20**).

ЗАМЕНА СМАЗКИ

Перфоратор имеет герметичную конструкцию, защищающую его от попадания вовнутрь пыли и предотвращающую вытекание масла. Следовательно инструмент можно эксплуатировать без повторного смазывания в течение длительного периода. Меняйте смазку как описано ниже.

1. Период замены смазки.

После покупки меняйте смазку после каждых шести месяцев эксплуатации. Замену производите в ближайшем уполномоченном сервисном центре HITACHI.

2. Добавление смазки. ПРЕДОСТЕРЕЖЕНИЕ.

Перед тем как приступить к добавлению смазочного материала выключите перфоратор и выньте штепсель из розетки.

- (1) Снимите крышку картера и вытрите смазочный материал внутри (**рис. 21**)
- (2) Добавьте в картер 30г пластичной смазки А для электрического перфоратора фирмы HITACHI (стандартный аксессуар, находится в тубике).
- (3) После добавления смазки, плотно поставьте на место крышку картера.

ПРИМЕЧАНИЕ

Пластичная смазка HITACHI Electric Hammer Grease А для электрического перфоратора - смазочный материал низкой вязкости. При необходимости приобретайте в уполномоченном сервисном центре HITACHI.

ТЕХНИЧЕСКОЕ ОБСЛУЖИВАНИЕ И ПРОВЕРКА

1. Проверка сменного инструмента.

Т. к. применение тупого сменного инструмента станет причиной сбоев в работе двигателя и снижения производительности, без промедления замените его на новый или заточите, как только заметите износ.

2. Проверка установленных винтов.

Регулярно проверяйте все установленные на инструменте винты, следите за тем, чтобы они были как следует затянуты. Немедленно затяните винт, который окажется ослабленным. Невыполнение этого правила грозит серьёзной опасностью.

3. Техническое обслуживание двигателя.

Обмотка двигателя - "сердце" электроинструмента. Проявляйте должное внимание, следя за тем, чтобы обмотка не была повреждена и/или залита маслом или водой.

4. Проверка угольных щёток (**рис. 22**).

В электродвигателе инструмента применяются угольные щётки, которые со временем изнашиваются. Когда щётка приблизится к "пределу износа" или сравняется с ним, могут начаться

перебои в работе двигателя. Если двигатель оснащён отключающейся угольной щёткой, он прекратит работу автоматически. В это время замените обе угольные щётки на новые, имеющие тот же номер (см. рис.). Следует всегда содержать угольные щётки в чистоте и следить за тем, чтобы они свободно скользили в пределах щёткодержателей.

5. Замена угольных щёток.

Открутите два установочных винта и снимите заднюю крышку. Снимите угольные щётки вместе с колпачками. После замены угольных щёток, соберите колпачки. Поставьте в исходное положение заднюю крышку, надёжно закрутив два установочных винта.

6. Порядок записей по техобслуживанию

A: пункт №

B: код №

C: количество применений

D: замечания

ОСТОРОЖНО

Ремонт, модификация и проверка электроинструментов HILTI должна проводиться только в авторизованных сервисных центрах HILTI. Данный список принесите в мастерскую вместе с инструментом для проведения ремонта или технического обслуживания.

При использовании или техобслуживании инструмента всегда следите за выполнением всех правил и норм безопасности.

ЗАМЕЧАНИЕ

Фирма HILTI непрерывно работает над усовершенствованием своих изделий, поэтому мы сохраняем за собой право на внесение изменений в технические характеристики, упомянутые в данной инструкции по эксплуатации, без предупреждения об этом.

ПРИМЕЧАНИЕ

На основании постоянных программ исследования и развития, HILTI оставляют за собой право на изменение указанных здесь технических данных без предварительного уведомления.

Информация, касающаяся создаваемого шума и вибрации

Измеряемые величины были определены в соответствии с EN60745 и заявлены в соответствии с ISO 4871.

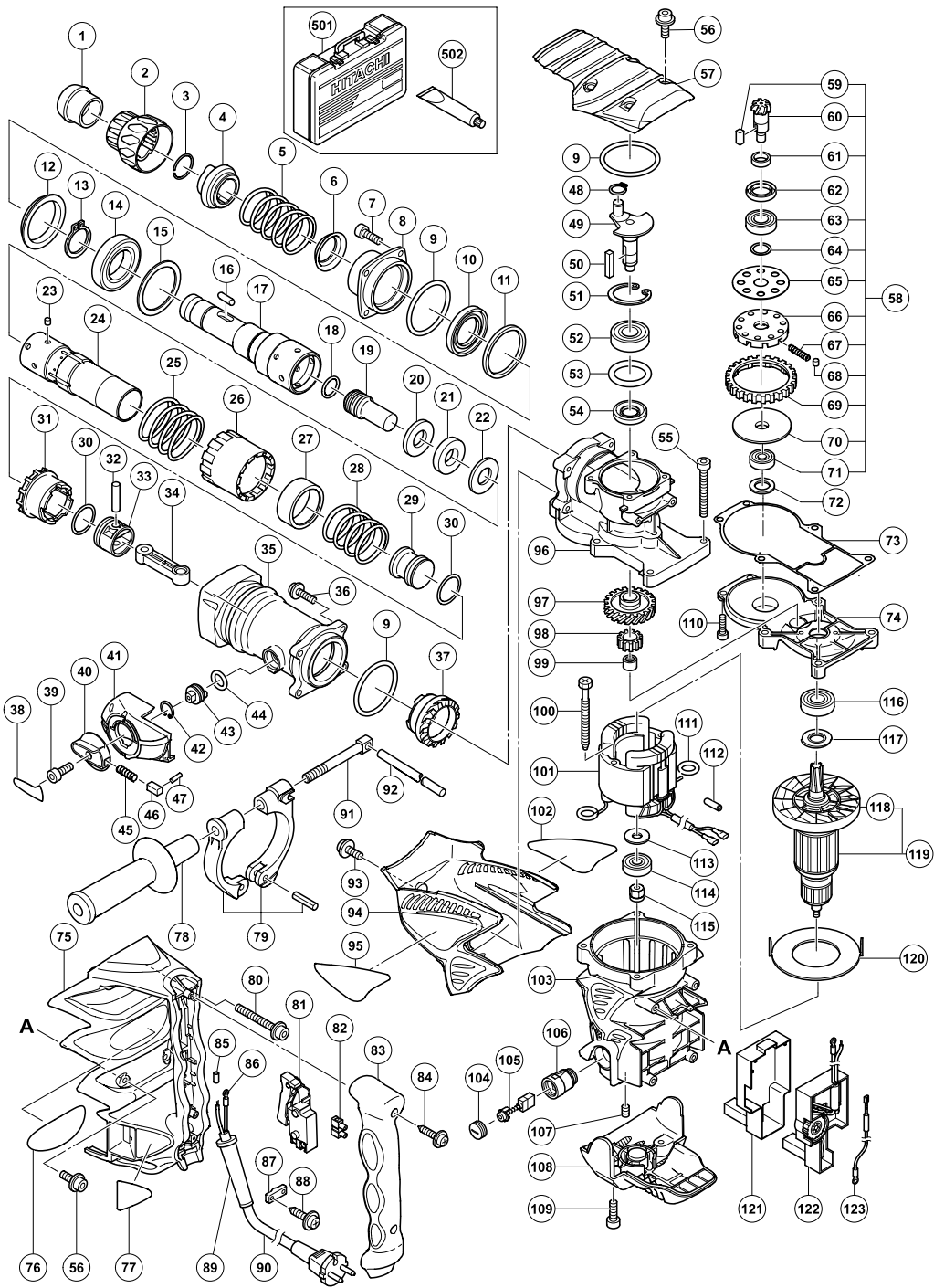
Измеренный средневзвешенный уровень звуковой мощности: 105 дБ(A)

Измеренный средневзвешенный уровень звукового давления: 94 дБ(A)

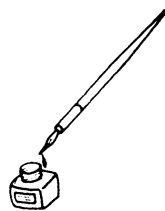
Погрешность КpA: 3 дБ (A)

Надевайте наушники.

Типичное значение вибрации: 11,4 м/с²



A	B	C	D	A	B	C	D
1	321-306	1		73	325-230	1	
2	321-305	1		74	324-944	1	
3	318-590	1		75	324-947	1	
4	321-304	1		76	_____	1	
5	321-303	1		77	324-938	1	
6	321-302	1		78	313-078	1	
7	981-942	4	M6×25	79	313-079	1	
8	321-300	1		80	980-673	2	M5×40
9	956-996	3	1AS-60	81	313-093	1	
10	321-301	1		82	938-307	1	
11	325-229	1		83	324-948	1	
12	315-868	1		84	301-653	2	D4×20
13	948-131	1		85	981-373	2	
14	600-7DD	1	6007DDUAV2S	86-1	980-063	1	
15	321-297	1		86-2	930-804	1	"GBR (110V),"
16	313-421	2	D8×20	87-1	960-266	1	
17	324-919	1		87-2	981-987Z	1	"SUI"
18	324-921	1		88	984-750	2	D4×16
19	324-920	1		89-1	953-327	1	D8.8
20	324-922	1		89-2	938-051	1	D10.1
21	324-923	1		90	_____	1	
22	324-924	1		91	313-080	1	
23	313-057	4	D6×6	92	971-786	1	
24	324-925	1		93	998-471	1	M5×12
25	324-930	1		94	324-936	1	
26	324-931	1		95	_____	1	
27	324-927	1		96	324-908	1	
28	324-928	1		97	324-910	1	
29	324-926	1		98	324-911	1	
30	325-297	2	I.D 27.2	98	939-299	1	M661
31	324-929	1		100	961-501	2	D5×60
32	324-917	1		101-1	340-646C	1	110V "111"
33	324-915	1		101-2	340-646E	1	230V "111"
34	324-916	1		101-3	340-646F	1	240V "111"
35	324-932	1		102	_____	1	
36	991-712	4	M6×25	103	324-943	1	"106, 107"
37	324-933	1		104	945-161	2	
38	321-867	1		105	999-071	2	
39	983-162	1	M4×12	106	962-777	2	
40	321-309	1		107	938-477	2	M5×8
41	324-935	1		108	324-946	1	
42	311-229	1		109	984-508	2	M5×20
43	324-934	1		110	321-313	2	M6×22
44	873-095	1	P-16	111	937-623	2	
45	321-310	1		112	321-322	1	
46	321-311	1		113	985-436	1	
47	321-312	1		114	620-0VV	1	6200VVCMP2L
48	939-540	1		115	318-721	1	
49	324-909	1		116	620-2DD	1	6202DDCMP2L
50	971-750	1	3X3×20	117	980-700	1	
51	948-391	1		118	318-918	1	
52	620-3DD	1	6203DDCMP2L	119-1	360-737C	1	110V "118"
53	996-363	1	S-40	119-2	360-737E	1	230V "118"
54	971-745	1		119-3	360-737F	1	240V "118"
55	986-940	4	M6×45	120	324-945	1	
56	994-192	8	M5×16	121	324-942	1	
57	324-937	1		122-1	324-940	1	110V
58	324-912	1	"59-61, 63-71"	122-2	324-941	1	120V
59	944-109	1	3×3×8	122-3	324-939	1	230V-240V
60	324-913	1		123	317-113	1	
61	321-279	1		501	324-820	1	
62	313-050	1		502	981-840	1	30G
63	600-2DD	1	6002DDCMP2L				
64	313-058	1					
65	313-053	1					
66	321-281	1					
67	321-282	10					
68	320-343	10					
69	324-914	1					
70	321-283	1					
71	629-VVM	1	629VVC2PS2L				
72	944-525	1					

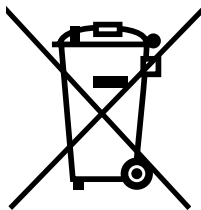


<p>English</p> <p><u>GUARANTEE CERTIFICATE</u></p> <ol style="list-style-type: none"> ① Model No. ② Serial No. ③ Date of Purchase ④ Customer Name and Address ⑤ Dealer Name and Address (Please stamp dealer name and address) 	<p>Magyar</p> <p><u>GARANCIA BIZONYLAT</u></p> <ol style="list-style-type: none"> ① Tipusszám ② Sorozatszám ③ A vásárlás dátuma ④ A Vásárló neve és címe ⑤ A Kereskedő neve és címe (Kérjük ide elhelyezni a Kereskedő nevének és címének pecsétjét)
<p>Deutsch</p> <p><u>GARANTIESCHEIN</u></p> <ol style="list-style-type: none"> ① Modell-Nr. ② Serien-Nr. ③ Kaufdatum ④ Name und Anschrift des Kunden ⑤ Name und Anschrift des Händlers (Bitte mit Namen und Anschrift des Handlers abstempeln) 	<p>Čeština</p> <p><u>ZÁRUČNÍ LIST</u></p> <ol style="list-style-type: none"> ① Model č. ② Série č. ③ Datum nákupu ④ Jméno a adresa zákazníka ⑤ Jméno a adresa prodejce (Prosíme o razítko se jménem a adresou prodejce)
<p>Ελληνικά</p> <p><u>ΠΙΣΤΟΠΟΙΗΤΙΚΟ ΕΓΓΥΗΣΗΣ</u></p> <ol style="list-style-type: none"> ① Αρ. Μοντέλου ② Αύξων Αρ. ③ Ημερομηνία αγοράς ④ Όνομα και διεύθυνση πελάτη ⑤ Όνομα και διεύθυνση μεταπωλητή (Παρακαλούμε να χρησιμοποιηθεί σφραγίδα) 	<p>Türkçe</p> <p><u>GARANTİ SERTİFİKASI</u></p> <ol style="list-style-type: none"> ① Model No. ② Seri No. ③ Satın Alma Tarihi ④ Müşteri Adı ve Adresi ⑤ Bayi Adı ve Adresi (Lütfen bayi adını ve adresini kaşe olarak basın)
<p>Polski</p> <p><u>GWARANCJA</u></p> <ol style="list-style-type: none"> ① Model ② Numer seryjny ③ Data zakupu ④ Nazwa klienta i adres ⑤ Nazwa dealera i adres (Pieczęć punktu sprzedaży) 	<p>Русский</p> <p><u>ГАРАНТИЙНЫЙ СЕРТИФИКАТ</u></p> <ol style="list-style-type: none"> ① Модель № ② Серийный № ③ Дата покупки ④ Название и адрес заказчика ⑤ Название и адрес дилера (Пожалуйста, внесите название и адрес дилера)



HITACHI

①	
②	
③	
④	
⑤	



English

Only for EU countries

Do not dispose of electric tools together with household waste material!

In observance of European Directive 2002/96/EC on waste electrical and electronic equipment and its implementation in accordance with national law, electric tools that have reached the end of their life must be collected separately and returned to an environmentally compatible recycling facility.

Deutsch

Nur für EU-Länder

Werfen Sie Elektrowerkzeuge nicht in den Hausmüll!

Gemäss Europäischer Richtlinie 2002/96/EG über Elektro- und Elektronik- Altgeräte und Umsetzung in nationales Recht müssen verbrauchte Elektrowerkzeuge getrennt gesammelt und einer umweltgerechten Wiederverwertung zugeführt werden.

Ελληνικά

Μόνο για τις χώρες της ΕΕ

Μην πετάτε τα ηλεκτρικά εργαλεία στον κάδο οικιακών απορριμμάτων!

Σύμφωνα με την ευρωπαϊκή οδηγία 2002/96/EK περί ηλεκτρικών και ηλεκτρονικών συσκευών και την ενσωμάτωσή της στο εθνικό δίκαιο, τα ηλεκτρικά εργαλεία πρέπει να συλλέγονται ξεχωριστά και να επιστρέφονται για ανακύκλωση με τρόπο φιλικό προς το περιβάλλον.

Polski

Dotyczy tylko państw UE

Nie wyrzucaj elektronarzędzi wraz z odpadami z gospodarstwa domowego!

Zgodnie z Europejską Dyrektywą 2002/96/WE w sprawie zużytego sprzętu elektrotechnicznego i elektronicznego oraz dostosowaniem jej do prawa krajowego, zużyte elektronarzędzia należy posegregować i zutylizować w sposób przyjazny dla środowiska.

Magyar

Csak EU-országok számára

Az elektromos kéziszerszámokat ne dobja a háztartási szeméttbe!

A használt villamos és elektronikai készülékekről szóló 2002/96/EK irányelv és annak a nemzeti jogba való átültetése szerint az elhasznált elektromos kéziszerszámokat külön kell gyűjteni, és környezetbarát módon újra kell hasznosítani.

Čeština

Jen pro státy EU

Elektrické nářadí nevyhazujte do komunálního odpadu!

Podle evropské směrnice 2002/96/EG o nakládání s použitými elektrickými a elektronickými zařízeními a odpovídajících ustanovení právních předpisů jednotlivých zemí se použitá elektrická nářadí musí sbírat odděleně od ostatního odpadu a podrobit ekologicky šetrnému recyklování.

Türkçe

Sadece AB ülkeleri için

Elektrikli el aletlerini evdeki çöp kutusuna atmayınız!

Kullanılmış elektrikli aletleri, elektrik ve elektrikli eski cihazlar hakkındaki 2002/96/EC Avrupa yönergelerine göre ve bu yönergeler ulusal hukuk kurallarına göre uyarlanarak, ayrı olarak toplanmalı ve çevre şartlarına uygun bir şekilde tekrar değerlendirilmeye gönderilmelidir.

Русский

Только для стран ЕС

Не выкидывайте электроприборы вместе с обычным мусором!

В соответствии с европейской директивой 2002/96/EG об утилизации старых электрических и электронных приборов и в соответствии с местными законами электроприборы, бывшие в эксплуатации, должны утилизироваться отдельно безопасным для окружающей среды способом.

<p>English</p> <p><u>EC DECLARATION OF CONFORMITY</u></p> <p>We declare under our sole responsibility that this product is in conformity with standards or standardized documents EN60745, EN55014 and EN61000 in accordance with Council Directives 73/23/EEC, 89/336/EEC and 98/37/EC.</p> <p>This declaration is applicable to the product affixed CE marking.</p>	<p>Magyar</p> <p><u>EU MEGFELELŐSÉGI NYILATKOZAT</u></p> <p>Teljes felelősségünk tudatában kijelentjük, hogy ez a termék megfelel az EN60745, EN55014, és EN 61000 szabványoknak illetve szabványosított dokumentumoknak, az Európa Tanács 73/23/EEC, 89/336/EEC, és 98/37/EC Tanácsi Direktíváival összhangban.</p> <p>Jelen nyilatkozat a terméken feltüntetett CE jelzésre vonatkozik.</p>
<p>Deutsch</p> <p><u>ERKLÄRUNG ZUR KONFORMITÄT MIT CE-REGELN</u></p> <p>Wir erklären mit alleiniger Verantwortung, daß dieses Produkt den Standards oder standardisierten Dokumenten EN60745, EN55014 und EN61000 in Übereinstimmung mit den Direktiven des Europarats 73/23/EWG, 89/336/EWG und 98/37/CE entspricht.</p> <p>Diese Erklärung gilt für Produkte, die die CE-Markierung tragen.</p>	<p>Čeština</p> <p><u>PROHLÁŠENÍ O SHODĚ S CE</u></p> <p>Prohlašujeme na svoji zodpovědnost, že tento výrobek odpovídá normám EN60745, EN55014 a EN61000 v souladu se směrnicemi 73/23/EEC, 89/336/EEC a 98/37/EC.</p> <p>Toto prohlášení platí pro výrobek označený značkou CE.</p>
<p>Ελληνικά</p> <p><u>EK ΔΗΛΩΣΗ ΕΝΑΡΜΟΝΙΣΜΟΥ</u></p> <p>Δηλώνουμε με απόλυτη υπευθυνότητα ότι αυτό το προϊόν είναι εναρμονισμένο με τα πρότυπα ή τα έγγραφα προτύπων EN60745, EN55014 και EN61000 σε συμφωνία με τις Οδηγίες του Συμβουλίου 73/23/ΕΟΚ, 89/336/ΕΟΚ και 98/37/ΕΚ.</p> <p>Αυτή η δήλωση ισχύει στο προϊόν με το σημάδι CE.</p>	<p>Türkçe</p> <p><u>AB UYGUNLUK BEYANI</u></p> <p>Bu ürünün, 73/23/EEC, 89/336/EEC ve 98/37/EC sayılı Konsey Direktiflerine uygun olarak, EN60745, EN55014 ve EN61000 sayılı standartlara ve standartlaştırılmış belgelere uygun olduğunu, tamamen kendi sorumluluğumuz altında beyan ederiz.</p> <p>Bu beyan, üzerinde CE işareti bulunan ürünler için geçerlidir.</p>
<p>Polski</p> <p><u>DEKLARACJA ZGODNOŚCI Z EC</u></p> <p>Oznajmiamy z całkowitą odpowiedzialnością, że produkt ten pozostaje w zgodzie ze standardami lub standardową formą dokumentów EN60745, EN55014 i EN61000 w zgodzie z Zasadami Rady 73/23/EEC 89/336/ EEC i 98/37/EC.</p> <p>To oświadczenie odnosi się do załączonego produktu z oznaczeniami CE.</p>	<p>Русский</p> <p><u>ДЕКЛАРАЦИЯ СООТВЕТСТВИЯ ЕС</u></p> <p>Мы с полной ответственностью заявляем, что данное изделие соответствует стандартам или стандартизованным документам EN60745, EN55014 и EN61000 согласно Директивам Совета 73/23/EEC, 89/336/EEC и 98/37/EC.</p> <p>Данная декларация относится к изделиям, на которых имеется маркировка CE.</p>
<p>Representative office in Europe Hitachi Power Tools Europe GmbH Siemensring 34, 47877 Willich 1, F. R. Germany</p> <p>Head office in Japan Hitachi Koki Co., Ltd. Shinagawa Intercity Tower A, 15-1, Konan 2-chome, Minato-ku, Tokyo, Japan</p> <p style="text-align: center;">CE</p> <p style="text-align: right;">31. 5. 2007</p> <p style="text-align: right;"><i>K. Kato</i></p> <p style="text-align: right;">K. Kato Board Director</p>	

 **Hitachi Koki Co., Ltd.**